

SUZUKI
PARTS CATALOGUE

DF4A/5A/6A

DF4A

DF5A

DF6A



OUTBOARD MOTOR

P01

2016-2

1ST EDITION

PREFACE

When it becomes necessary to replace parts on SUZUKI OUTBOARD MOTORS, always use SUZUKI GENUINE PARTS which have passed a strict inspection which guarantees quality and performance.

This parts catalogue covers the list of all service parts for SUZUKI DF4A/5A/6A production start 2016.

INSTRUCTIONS FOR QUOTING THE CATALOGUE

1. DIMENSIONS

Dimensions of the parts in this catalogue are indicated in unit millimeters.

2. ABBREVIATIONS

Abbreviations used in this catalogue are as follows:

| | | | |
|----------|------------------------|------|-------------------|
| AR | : As required | NT | : Number of teeth |
| ASSY | : Assembly | OPT | : Optional |
| E. NO. | : Engine number | OS | : Over size |
| F. NO. | : Frame number | STD | : Standard |
| D | : Diameter of material | T | : Thickness |
| ID | : Inside diameter | US | : Under size |
| OD | : Outside diameter | W | : Width |
| L | : Length | W/ | : With |
| LH(PORT) | : Left hand side | S, L | : Transom type |
| RH(STBD) | : Right hand side | SUS | : Stainless steel |

~123456 : Up to E. NO. 00403F-123456

123456~ : From E. NO. 00403F-123456

12 x 34 x 5.6..... Figures in the description column

| | | show the dimensions of parts.

ID OD T(or W, L)

→12345-56781 (Parts No.) : indicates that the parts number was changed to 12345-56781 and the new parts are interchangeable with the former ones but the former ones are not interchangeable with new ones.

←12345-56781 (Parts No.) : indicates that the former and new parts are interchangeable with each other and both are usable.

3. INNER PARTS OF ASSEMBLY

Part name with a dot (.) in front as shown in the description column indicates the component of the assembly also available individually.

4. MODIFICATION NOTICE

A parts bulletin will be sent to you on all occasions when changes in parts occur, including interchangeable modifications between new parts and old ones.

5. NOTE

5-1. There are some different parts from those of production models among spare parts for the administrative reasons and common use of them with other models.

5-2. In respect of rubber hoses and vinyl tubes, please be sure to use them by cutting off according to the length mentioned on parts catalogue or what is actually required on the vehicle.

5-3. Note that the drawings on the illustration page are for ready reference of spare parts number, not to be used as an assembly manual. When assembling, use "SUZUKI SERVICE MANUAL".

6. MODEL NAME AND ENGINE NUMBER

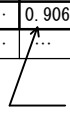
| MODEL | DESTINATION | TYPE | TRANSOM | ENGINE No. |
|-------|-------------|--------|---------|----------------|
| DF4A | P01 | 00403F | S, L | 00403F-710001~ |
| DF5A | P01 | 00503F | S, L | 00503F-710001~ |
| DF6A | P01 | 00603F | S, L | 00603F-710001~ |

MILLIMETER → INCH CONVERSION CHART

| | 0 | 1 | 2 | 3 | 4 | 5 | 6 | 7 | 8 | 9 |
|----|-------|-------|-------|-------|-------|-------|-------|-------|-------|-------|
| 00 | .000 | .039 | .079 | .118 | .157 | .197 | .236 | .276 | .315 | .354 |
| 10 | .394 | .433 | .472 | .512 | .551 | .591 | .630 | .669 | .709 | .748 |
| 20 | .787 | .827 | .866 | .906 | .945 | .984 | 1.024 | 1.063 | 1.102 | 1.142 |
| 30 | 1.181 | 1.220 | 1.260 | 1.299 | 1.339 | 1.378 | 1.417 | 1.457 | 1.496 | 1.535 |
| 40 | 1.575 | 1.614 | 1.654 | 1.693 | 1.732 | 1.772 | 1.811 | 1.850 | 1.890 | 1.929 |
| 50 | 1.969 | 2.008 | 2.047 | 2.087 | 2.126 | 2.165 | 2.205 | 2.214 | 2.283 | 2.323 |
| 60 | 2.362 | 2.402 | 2.441 | 2.480 | 2.520 | 2.559 | 2.598 | 2.638 | 2.677 | 2.717 |
| 70 | 2.756 | 2.795 | 2.835 | 2.874 | 2.913 | 2.953 | 2.992 | 3.031 | 3.071 | 3.110 |
| 80 | 3.150 | 3.189 | 3.228 | 3.268 | 3.307 | 3.346 | 3.386 | 3.425 | 3.465 | 3.504 |
| 90 | 3.543 | 3.583 | 3.622 | 3.661 | 3.701 | 3.740 | 3.780 | 3.819 | 3.858 | 3.898 |

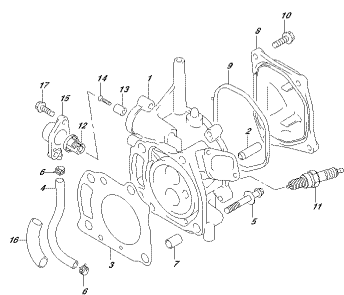
How to read

| | 0 | 1 | 2 | 3 | 4 |
|----|-----|-----|-----|-------|-----|
| 00 | ... | ... | ... | ... | ... |
| 10 | ... | ... | ... | ... | ... |
| 20 | ... | ... | ... | 0.906 | ... |
| 30 | ... | ... | ... | ... | ... |


 23 millimeters equal 0.906 inch

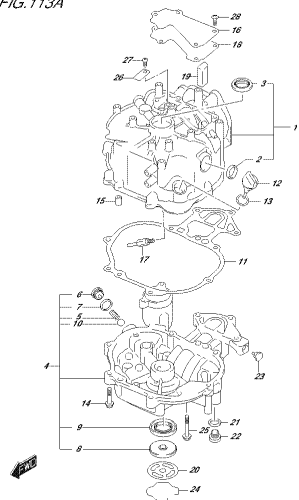
Contents are subject to change without notice or obligation.

FIG. 111A



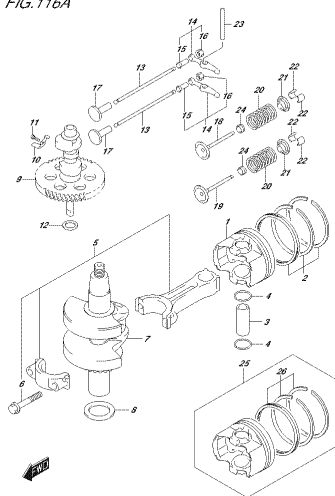
3F44L_S4_ML_P01_0127_1114
TURBOHEAD

FIG. 113A



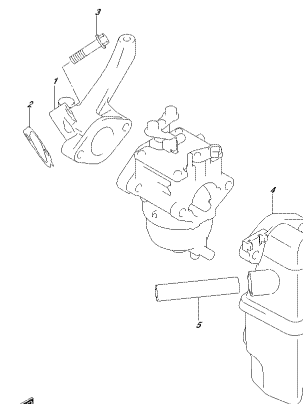
3F44L_S4_ML_P01_0127_1134
TURBOBODY

FIG. 116A



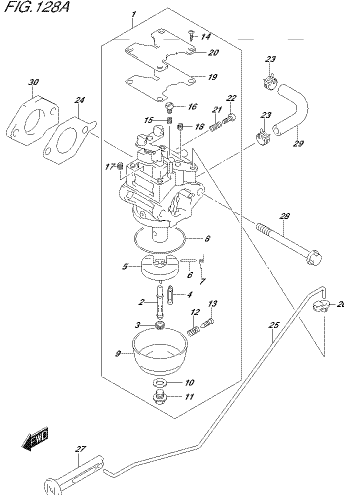
3F44L_S4_ML_P01_0127_1164
JETASSEMBLY

FIG. 122A



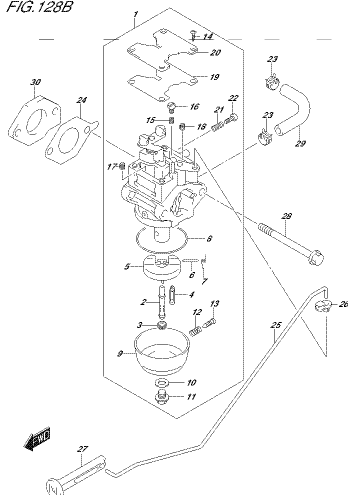
3F44L_S4_ML_P01_0127_1224
THROTTLE LINKAGE

FIG. 128A



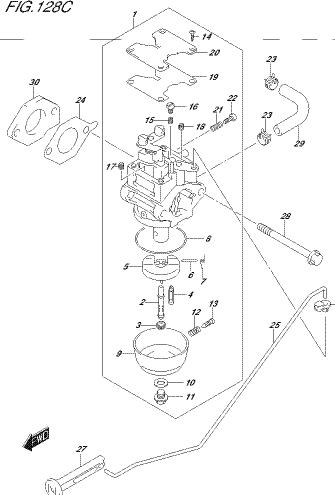
3F44L_S4_ML_P01_0127_1284
CARBURETOR

FIG. 128B



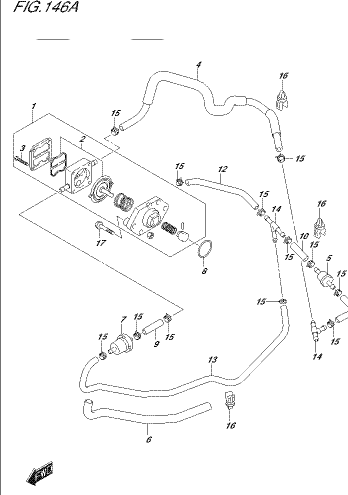
3F44L_S4_ML_P01_0127_128B
CARBURETOR

FIG. 128C



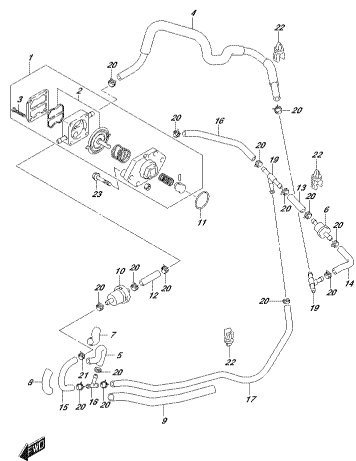
3F44L_S4_ML_P01_0127_128C
CARBURETOR

FIG. 146A



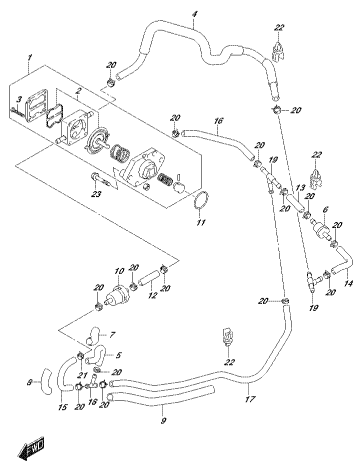
3F44L_S4_ML_P01_0127_1464
FUEL PUMP

FIG. 146B



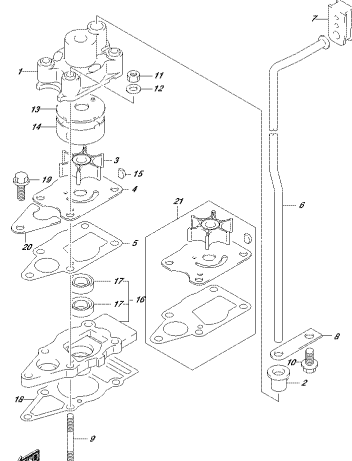
32F4L_S4_ML_P01_01Z_146B
 01.01.0000

FIG. 146C



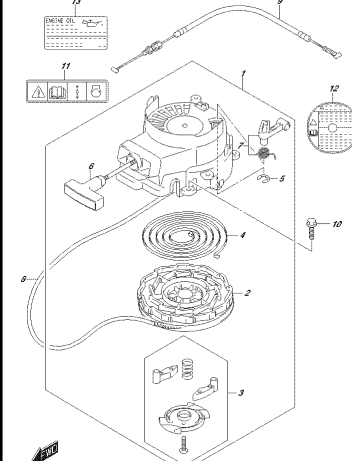
32F4L_S4_ML_P01_01Z_146C
 01.01.0000

FIG. 160A



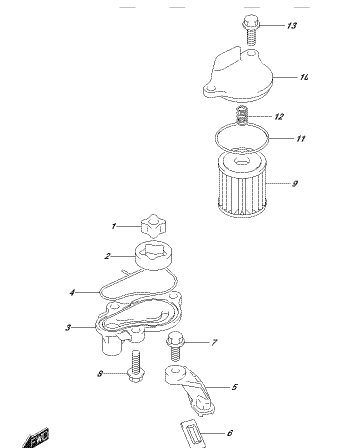
32F4L_S4_ML_P01_01Z_160A
 01.02.0000

FIG. 167A



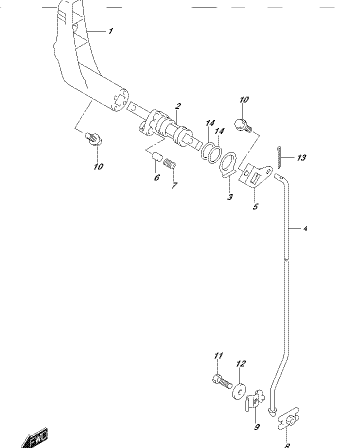
32F4L_S4_ML_P01_01Z_167A
 03.02.0000

FIG. 175A



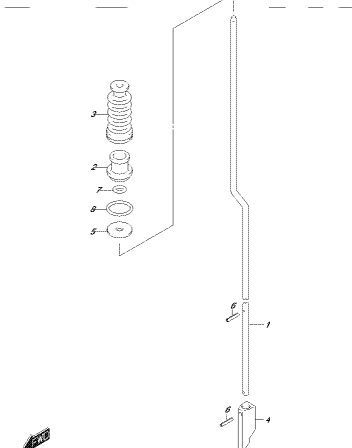
32F4L_S4_ML_P01_01Z_175A
 01.01.0000

FIG. 208A



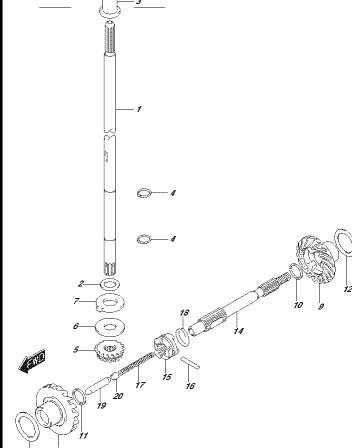
32F4L_S4_ML_P01_01Z_208A
 01.01.0000

FIG. 210A



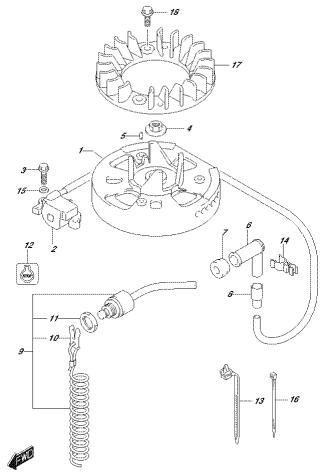
32F4L_S4_ML_P01_01Z_210A
 01.01.0000

FIG. 230A



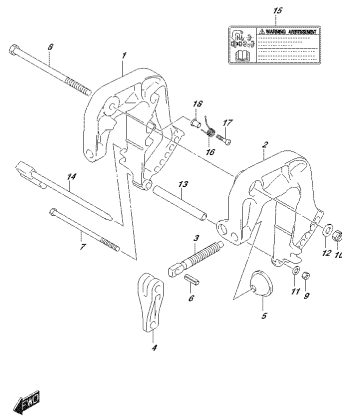
32F4L_S4_ML_P01_01Z_230A
 01.01.0000

FIG.303A



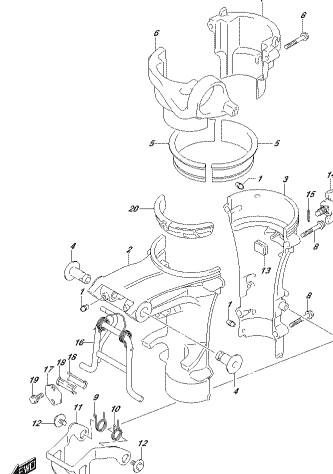
DF4L_S4_M_P01_01Z_0034
MAGNETO

FIG.335A



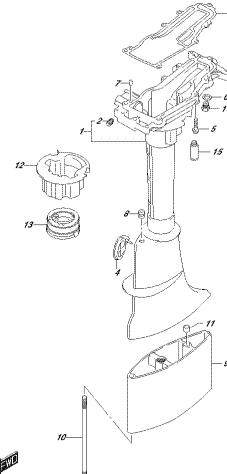
DF4L_S4_M_P01_01Z_0034
CIVILE 250KCM2

FIG.336A



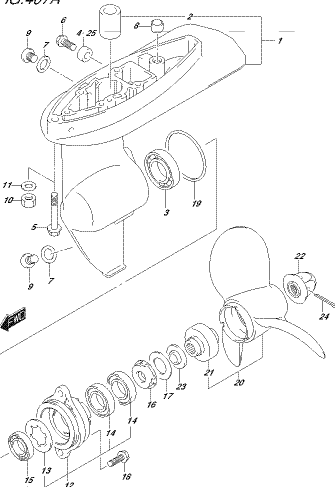
DF4L_S4_M_P01_01Z_0034
CIVILE 250KCM2

FIG.405A



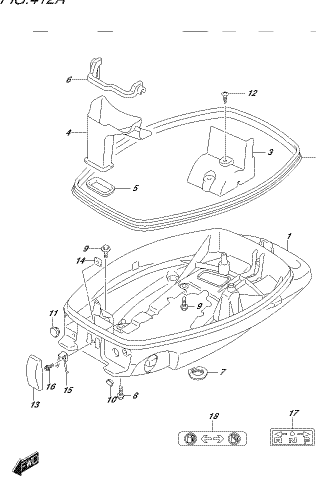
DF4L_S4_M_P01_01Z_0034
CIVILE 20467-4232862

FIG.407A



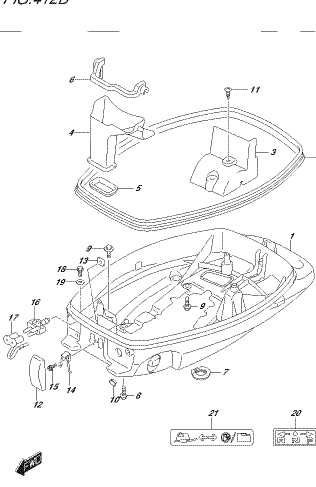
DF4L_S4_M_P01_01Z_0034
GEAR CASE

FIG.412A



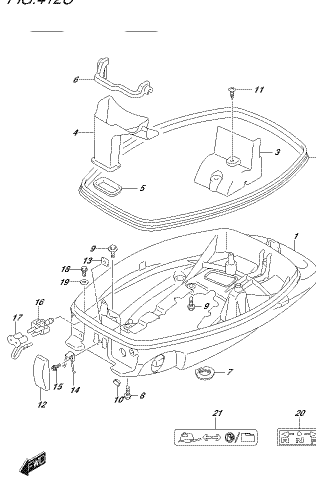
DF4L_S4_M_P01_01Z_0104
LOWER COVER

FIG.412B



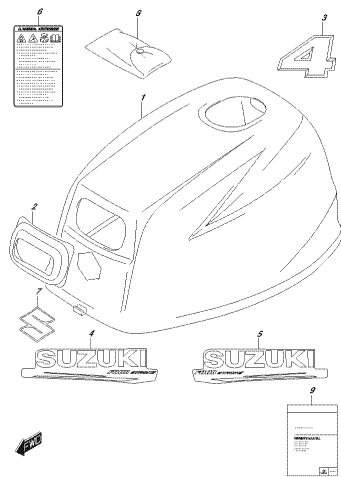
DF4L_S4_M_P01_01Z_0109
LOWER COVER

FIG.412C



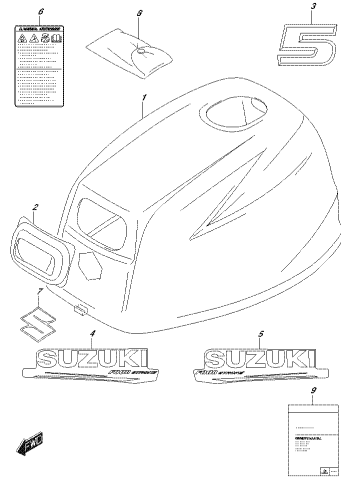
DF4L_S4_M_P01_01Z_0100
LOWER COVER

FIG.420A



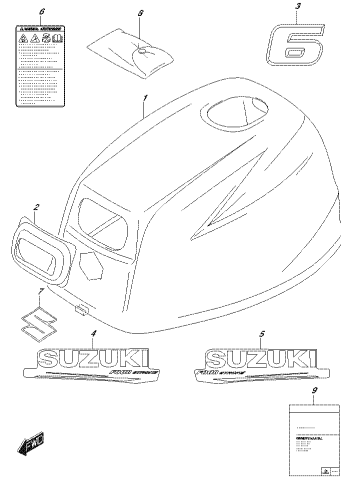
32F4L,SA,SA,PS1,01Z,420A
ENGINE COVER

FIG.420B



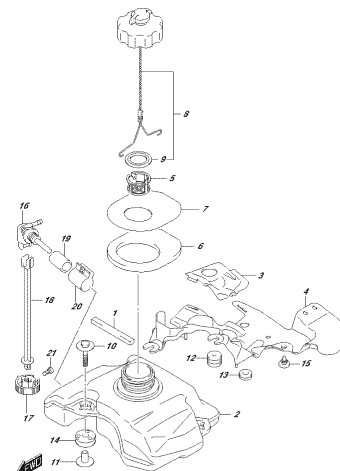
32F4L,SA,SA,PS1,01Z,420B
ENGINE COVER

FIG.420C



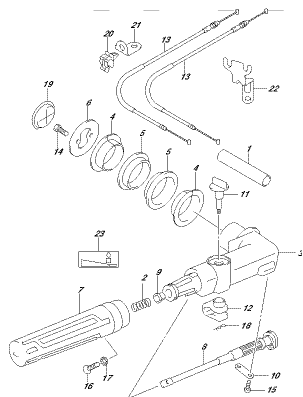
32F4L,SA,SA,PS1,01Z,420C
ENGINE COVER

FIG.432A



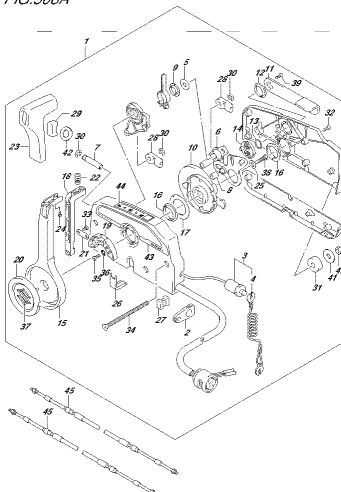
32F4L,SA,SA,PS1,01Z,432A
CARBURETOR

FIG.444A



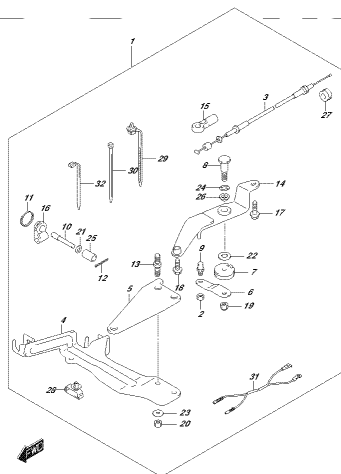
32F4L,SA,SA,PS1,01Z,444A
THROTTLE HANDLE

FIG.508A



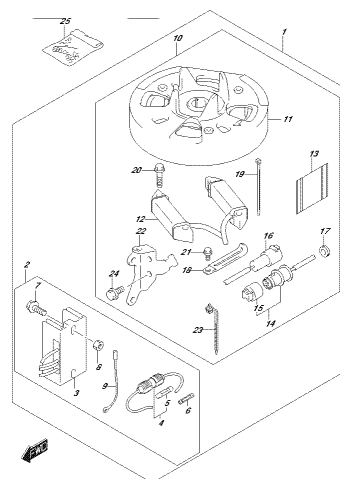
32F4L,SA,SA,PS1,01Z,508A
CENTRE BRACKET

FIG.514A



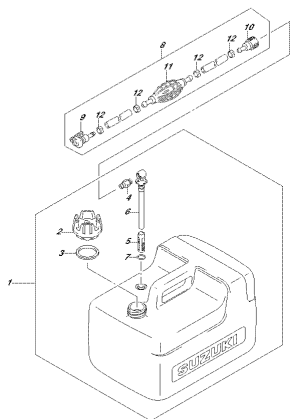
32F4L,SA,SA,PS1,01Z,514A
THROTTLE LINKAGE

FIG.550A



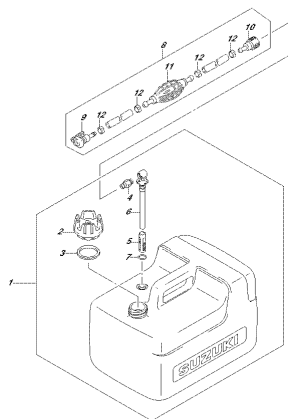
32F4L,SA,SA,PS1,01Z,550A
CABLE THROTTLE

FIG. 583A



374L.A1.MA.PM_017.883A
DTS:LEE:7484

FIG. 583B



374L.A1.MA.PM_017.883B
DTS:LEE:7484

FIG.111A

FIG.111A (1-B-2) CYLINDER HEAD

| REF NO. | PART NO. | DESCRIPTION | Q'TY | REMARKS |
|---------|-----------------|------------------------------|------|------------|
| 1 | 11110-97L00 | HEAD, CYLINDER | 1 | |
| 2 | 11115-93E00-001 | GUIDE, VALVE (OS:0.3) | 2 | OPT |
| 3 | 11141-97L00 | GASKET, CYLINDER HEAD | 1 | |
| 4 | 09352-70113-600 | HOSE (7X11X600) | 1 | L:600->150 |
| 5 | 11117-91JL0 | BOLT, CYLINDER HEAD | 4 | |
| 6 | 09401-10412 | CLIP | 2 | |
| 7 | 04211-11169 | PIN | 2 | |
| 8 | 11170-97L00 | COVER, CYLINDER HEAD | 1 | |
| 9 | 11189-97L00 | GASKET, CYLINDER HEAD COVER | 1 | |
| 10 | 01550-0620C | BOLT | 4 | |
| 11 | 09482-00L04 | SPARK PLUG (CPR6EA-9) | 1 | NGK |
| 12 | 17670-91J00 | THERMOSTAT (50C) | 1 | |
| 13 | 55321-95J00 | ANODE, PROTECTION | 1 | |
| 14 | 09126-05011 | SCREW (5X20) | 1 | |
| 15 | 17680-97L00 | COVER, THERMOSTAT | 1 | |
| 16 | 33833-97L40 | PROTECTOR, WATER HOSE RETURN | 1 | |
| 17 | 01550-0620C | BOLT | 2 | |

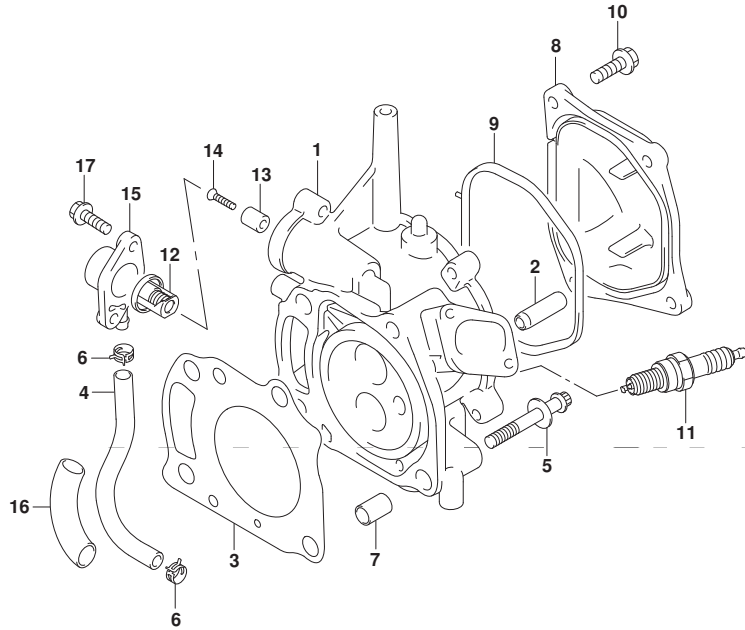


FIG.113A

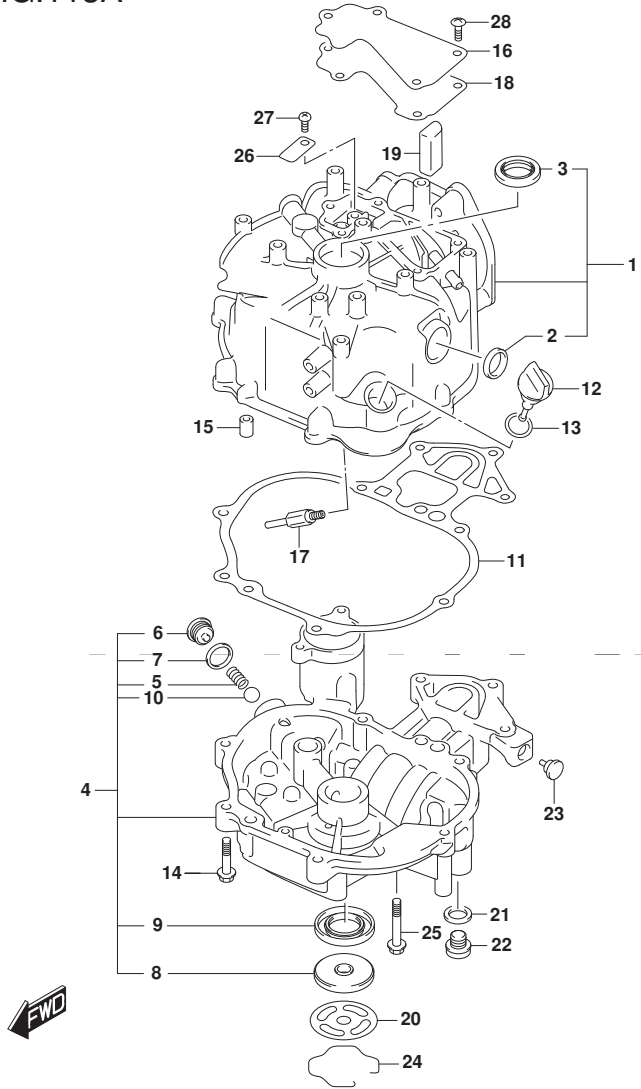


FIG.113A (1-B-3) CYLINDER BLOCK

| REF NO. | PART NO. | DESCRIPTION | Q'TY | REMARKS |
|---------|-------------|--------------------------------|------|---------|
| 1 | 11200-97L00 | BLOCK ASSY, CYLINDER | 1 | |
| 2 | 11971-97L00 | .LENS, OIL CHECK | 1 | |
| 3 | 09283-21009 | .OIL SEAL (19.7X33X6) | 1 | |
| 4 | 11300-97L00 | CASE ASSY, CRANKSHAFT | 1 | |
| 5 | 16152-97L00 | .SPRING, OIL RELIEF VALVE | 1 | |
| 6 | 16153-97L00 | .RETAINER, RELIEF VALVE SPRING | 1 | |
| 7 | 09168-16009 | .GASKET (16X22X0.8) | 1 | |
| 8 | 09283-10009 | .OIL SEAL (10X45X5) | 1 | |
| 9 | 09283-25076 | .OIL SEAL (25X45X5) | 1 | LOWER |
| 10 | 06111-15004 | .BALL | 1 | |
| 11 | 11351-97L00 | GASKET, CRANKCASE | 1 | |
| 12 | 11381-91J10 | GAUGE, OIL LEVEL (YELLOW) | 1 | |
| 13 | 09280-15007 | O RING (D:2.4, ID:15.8) | 1 | |
| 14 | 01550-0630C | BOLT | 8 | |
| 15 | 04211-09149 | PIN | 2 | |
| 16 | 11173-97L00 | PLATE, BREATHER | 1 | |
| 17 | 11177-97L00 | PIPE, BREATHER OIL DRAIN | 1 | |
| 18 | 11179-97L00 | GASKET, BREATHER PLATE | 1 | |
| 19 | 11186-97L00 | SEPARATOR, OIL BREATHER | 1 | |
| 20 | 11431-97L00 | PLATE, UNDER OIL SEAL | 1 | |
| 21 | 09168-12017 | GASKET (12X17X1) | 1 | |
| 22 | 09248-12009 | PLUG (12X18.65) | 1 | |
| 23 | 09321-08022 | CUSHION | 2 | |
| 24 | 09387-52002 | RING | 1 | |
| 25 | 01550-0640C | BOLT | 1 | |
| 26 | 11452-91J00 | VALVE, REED | 1 | |
| 27 | 02112-0612A | SCREW | 1 | |
| 28 | 02142-06127 | SCREW | 5 | |

FIG.116A

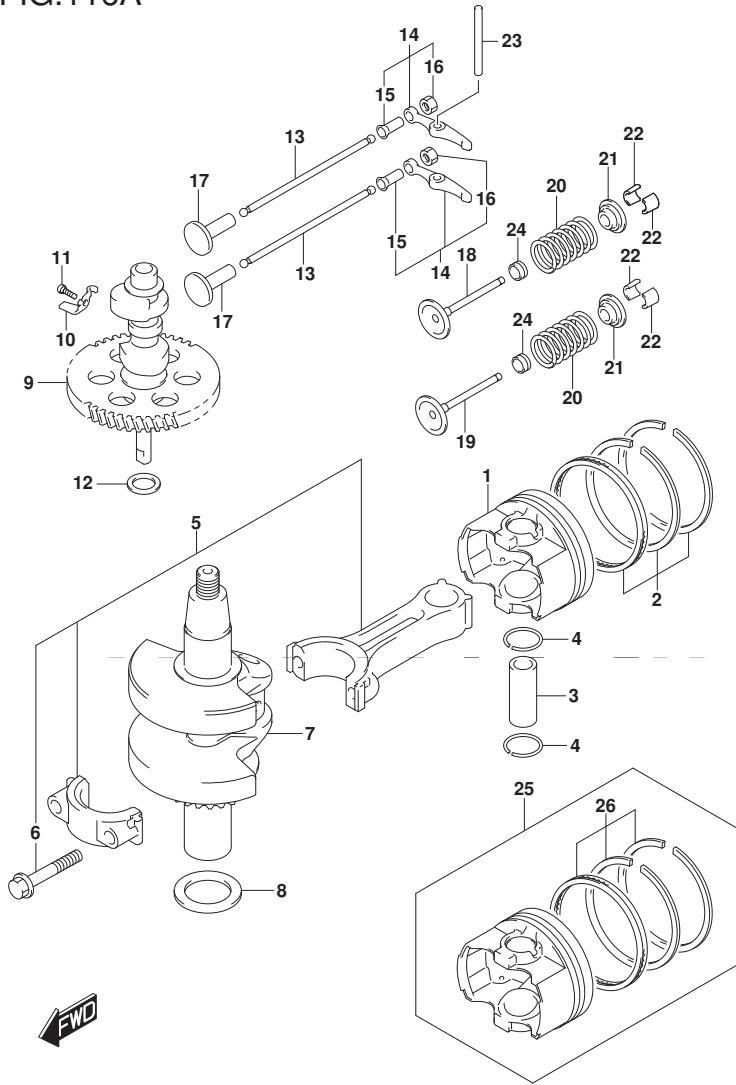


FIG.116A (1-B-4) CRANKSHAFT

| REF NO. | PART NO. | DESCRIPTION | Q'TY | REMARKS |
|---------|-----------------|-----------------------------|------|---------|
| 1 | 12111-89L00-0B0 | PISTON | 1 | |
| 2 | 12140-89L20 | RING SET, PISTON | 1 | |
| 3 | 12151-89L00 | PIN, PISTON | 1 | |
| 4 | 09381-16001 | SNAP RING | 2 | |
| 5 | 12160-97L00 | CONNROD ASSY | 1 | |
| 6 | 12163-97L00 | .BOLT CONNROD | 2 | |
| 7 | 12200-97L00 | CRANKSHAFT ASSY | 1 | |
| 8 | 08211-25361 | WASHER | 1 | |
| 9 | 12711-97L00 | CAMSHAFT (NT:46) | 1 | |
| 10 | 12951-91J01 | CAM, DECOMPRESSION | 1 | |
| 11 | 09106-02001 | BOLT (2X9.8) | 1 | |
| 12 | 08211-17251 | WASHER | 1 | |
| 13 | 12894-91JL0 | ROD, PUSH | 2 | |
| 14 | 12840-97L00 | ARM ASSY, VALVE ROCKER | 2 | |
| 15 | 12842-97L00 | .SCREW, TAPPET ADJUSTING | 2 | |
| 16 | 12843-27A00 | .NUT, TAPPET ADJUSTING | 2 | |
| 17 | 12891-87C00 | TAPPET | 2 | |
| 18 | 12911-91J01 | VALVE, INTAKE | 1 | |
| 19 | 12915-91J01 | VALVE, EXHAUST | 1 | |
| 20 | 12921-91J00 | SPRING, VALVE | 2 | |
| 21 | 12931-78G00 | RETAINER, VALVE SPRING | 2 | |
| 22 | 12932-24400 | COTTER, VALVE | 4 | |
| 23 | 09261-04021 | SHAFT, VALVE ROCKER ARM | 1 | |
| 24 | 09289-05012 | OIL SEAL (5.5X11.5X9.3) | 2 | |
| 25 | 12100-97L00-050 | PISTON SET (OS:0.50) | 1 | OPT |
| 26 | 12140-89L20-050 | .RING SET, PISTON (OS:0.50) | 1 | OPT |

FIG.122A

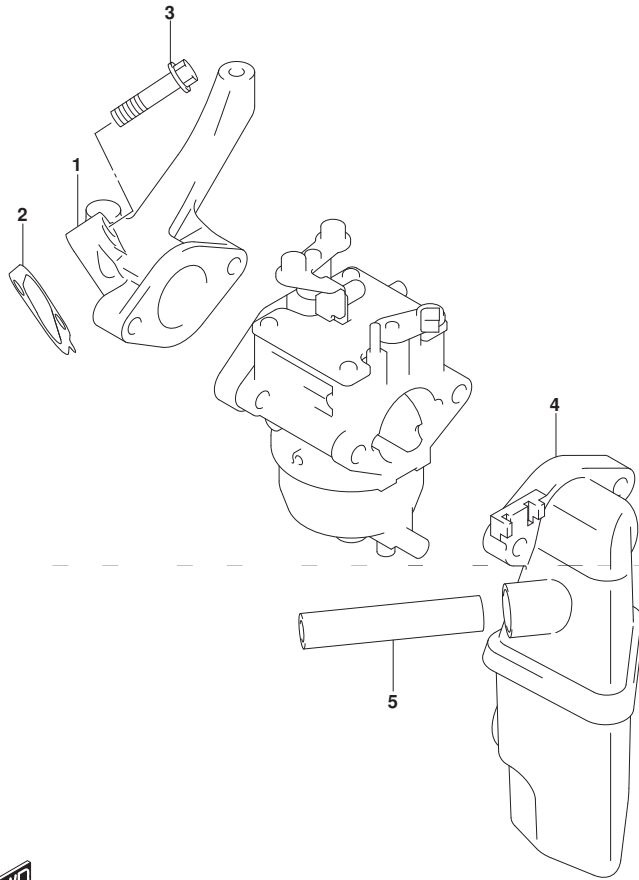


FIG.122A (1-B-5) INTAKE MANIFOLD

| REF NO. | PART NO. | DESCRIPTION | Q'TY | REMARKS |
|---------|-------------|------------------------|------|---------|
| 1 | 13111-97L00 | MANIFOLD, INTAKE | 1 | |
| 2 | 13119-97L00 | GASKET, INLET MANIFOLD | 1 | |
| 3 | 01547-0625C | BOLT | 2 | |
| 4 | 13810-97L00 | SILENCER | 1 | |
| 5 | 11174-97L00 | HOSE, BREATHER | 1 | |

FIG.128A

FIG.128A (1-B-6) CARBURETOR (DF4A P01)

| REF NO. | PART NO. | DESCRIPTION | Q'TY | REMARKS |
|---------|-----------------|-----------------------|------|---------|
| 1 | 13200-97L00 | CARBURETOR | 1 | |
| 2 | 13236-97L00 | .NOZZLE, MAIN | 1 | |
| 3-1 | 09491-52L01 | .JET, MAIN (52) | 1 | |
| 3-2 | 09491-54L01 | .JET, MAIN (54) | 1 | |
| 4 | 13371-91J20 | .VALVE, NEEDLE | 1 | |
| 5 | 13250-97J20 | .FLOAT | 1 | |
| 6 | 13254-97J00 | .PIN, FLOAT | 1 | |
| 7 | 13268-97J30 | .SPRING | 1 | |
| 8 | 13251-97J00 | .GASKET | 1 | |
| 9 | 13245-97J00 | .CHAMBER, FLOAT | 1 | |
| 10 | 13249-97J00 | .GASKET | 1 | |
| 11 | 13247-97J00 | .SCREW | 1 | |
| 12 | 13268-97J10 | .SPRING | 1 | |
| 13 | 13616-97J00 | .SCREW | 1 | |
| 14 | 13267-97J00 | .SCREW | 4 | |
| 15-1 | 09492-32011 | .JET, PILOT (32) | 1 | |
| 15-2 | 09492-34004 | .JET, PILOT (34) | 1 | |
| 16 | 13267-97J10 | .SCREW | 1 | |
| 17 | 09493-26010 | .JET, MAIN AIR (130) | 1 | |
| 18 | 09493-85003 | .JET, SLOW AIR (85) | 1 | |
| 19 | 13249-97J10 | .GASKET | 1 | |
| 20 | 13248-97J00 | .PLATE | 1 | |
| 21 | 13268-97J20 | .SPRING | 1 | |
| 22 | 13534-97J10 | .SCREW | 1 | |
| 23 | 09401-09404 | CLIP | 2 | |
| 24 | 13125-91J10 | GASKET, CARBURETOR | 2 | |
| 25 | 13413-97L00 | ROD, CHOKE | 1 | |
| 26 | 13436-91J00 | CONNECTOR, CHOKE ROD | 1 | |
| 27 | 13631-97L00 | KNOB, CHOKE | 1 | |
| 28 | 09103-06521 | BOLT | 2 | |
| 29 | 09343-50L01-060 | HOSE (5X10X60) | 1 | |
| 30 | 13124-91JL0 | INSULATOR, CARBURETOR | 1 | |

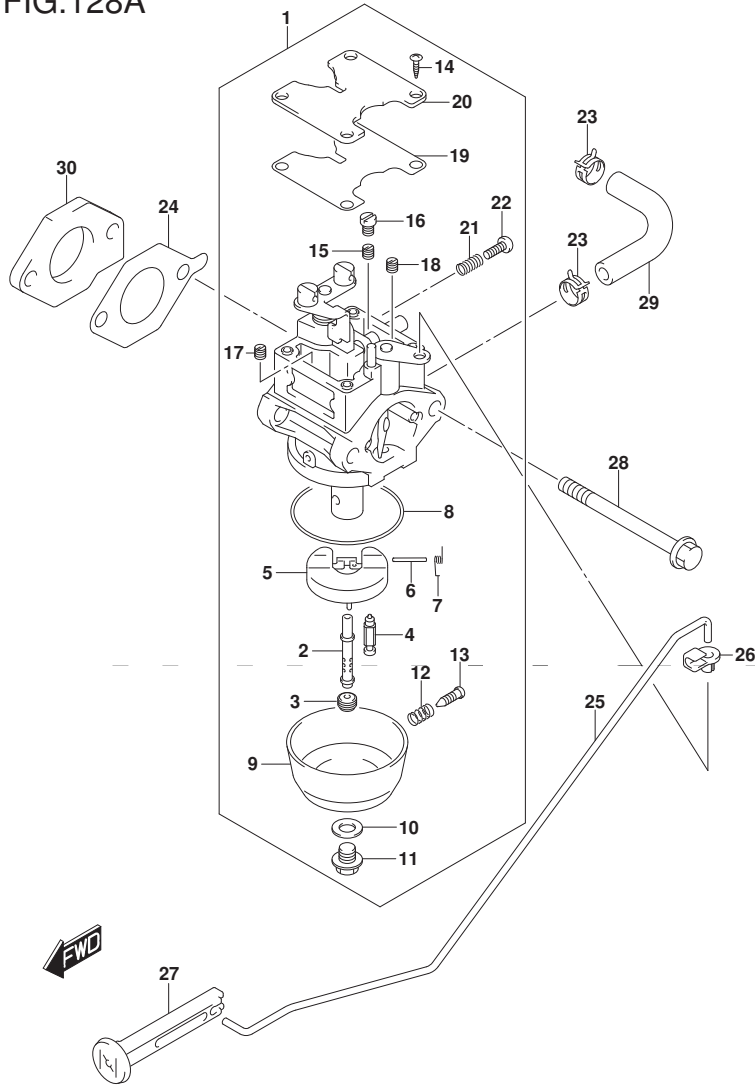


FIG.128B

FIG.128B (1-B-7) CARBURETOR (DF5A P01)

| REF NO. | PART NO. | DESCRIPTION | Q'TY | REMARKS |
|---------|-----------------|-----------------------|------|---------|
| 1 | 13200-97L10 | CARBURETOR | 1 | |
| 2 | 13236-97L10 | .NOZZLE, MAIN | 1 | |
| 3-1 | 09491-64003 | .JET, MAIN (64) | 1 | |
| 3-2 | 09491-66005 | .JET, MAIN (66) | 1 | |
| 4 | 13371-91J20 | .VALVE, NEEDLE | 1 | |
| 5 | 13250-97J20 | .FLOAT | 1 | |
| 6 | 13254-97J00 | .PIN, FLOAT | 1 | |
| 7 | 13268-97J30 | .SPRING | 1 | |
| 8 | 13251-97J00 | .GASKET | 1 | |
| 9 | 13245-97J00 | .CHAMBER, FLOAT | 1 | |
| 10 | 13249-97J00 | .GASKET | 1 | |
| 11 | 13247-97J00 | .SCREW | 1 | |
| 12 | 13268-97J10 | .SPRING | 1 | |
| 13 | 13616-97J00 | .SCREW | 1 | |
| 14 | 13267-97J00 | .SCREW | 4 | |
| 15-1 | 09492-35035 | .JET, PILOT (35) | 1 | |
| 15-2 | 09492-37005 | .JET, PILOT (37) | 1 | |
| 16 | 13267-97J10 | .SCREW | 1 | |
| 17 | 09493-30007 | .JET, MAIN AIR (150) | 1 | |
| 18 | 09493-75001 | .JET, SLOW AIR (75) | 1 | |
| 19 | 13249-97J10 | .GASKET | 1 | |
| 20 | 13248-97J00 | .PLATE | 1 | |
| 21 | 13268-97J20 | .SPRING | 1 | |
| 22 | 13534-97J10 | .SCREW | 1 | |
| 23 | 09401-09404 | CLIP | 2 | |
| 24 | 13125-91J10 | GASKET, CARBURETOR | 2 | |
| 25 | 13413-97L00 | ROD, CHOKE | 1 | |
| 26 | 13436-91J00 | CONNECTOR, CHOKE ROD | 1 | |
| 27 | 13631-97L00 | KNOB, CHOKE | 1 | |
| 28 | 09103-06521 | BOLT | 2 | |
| 29 | 09343-50L01-060 | HOSE (5X10X60) | 1 | |
| 30 | 13124-91JL0 | INSULATOR, CARBURETOR | 1 | |

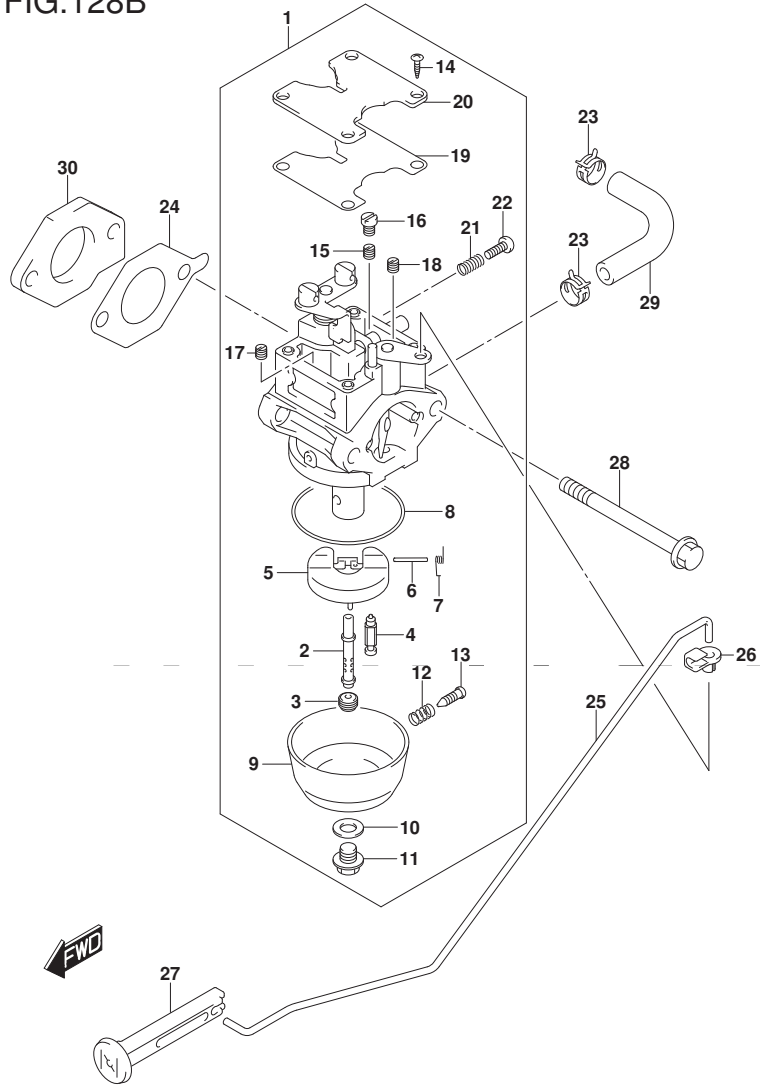


FIG.128C

FIG.128C (1-B-8) CARBURETOR (DF6A P01)

| REF NO. | PART NO. | DESCRIPTION | Q'TY | REMARKS |
|---------|-----------------|-----------------------|------|---------|
| 1 | 13200-97L20 | CARBURETOR | 1 | |
| 2 | 13236-97L20 | .NOZZLE, MAIN | 1 | |
| 3-1 | 09491-70018 | .JET, MAIN (70) | 1 | |
| 3-2 | 09491-72015 | .JET, MAIN (72) | 1 | |
| 4 | 13371-91J20 | .VALVE, NEEDLE | 1 | |
| 5 | 13250-97J20 | .FLOAT | 1 | |
| 6 | 13254-97J00 | .PIN, FLOAT | 1 | |
| 7 | 13268-97J30 | .SPRING | 1 | |
| 8 | 13251-97J00 | .GASKET | 1 | |
| 9 | 13245-97J00 | .CHAMBER, FLOAT | 1 | |
| 10 | 13249-97J00 | .GASKET | 1 | |
| 11 | 13247-97J00 | .SCREW | 1 | |
| 12 | 13268-97J10 | .SPRING | 1 | |
| 13 | 13616-97J00 | .SCREW | 1 | |
| 14 | 13267-97J00 | .SCREW | 4 | |
| 15-1 | 09492-39003 | .JET, PILOT (39) | 1 | |
| 15-2 | 09492-41004 | .JET, PILOT (41) | 1 | |
| 16 | 13267-97J10 | .SCREW | 1 | |
| 17 | 09493-22L01 | .JET, MAIN AIR (110) | 1 | |
| 18 | 09493-80015 | .JET, SLOW AIR (80) | 1 | |
| 19 | 13249-97J10 | .GASKET | 1 | |
| 20 | 13248-97J00 | .PLATE | 1 | |
| 21 | 13268-97J20 | .SPRING | 1 | |
| 22 | 13534-97J10 | .SCREW | 1 | |
| 23 | 09401-09404 | CLIP | 2 | |
| 24 | 13125-91J10 | GASKET, CARBURETOR | 2 | |
| 25 | 13413-97L00 | ROD, CHOKE | 1 | |
| 26 | 13436-91J00 | CONNECTOR, CHOKE ROD | 1 | |
| 27 | 13631-97L00 | KNOB, CHOKE | 1 | |
| 28 | 09103-06521 | BOLT | 2 | |
| 29 | 09343-50L01-060 | HOSE (5X10X60) | 1 | |
| 30 | 13124-91JL0 | INSULATOR, CARBURETOR | 1 | |

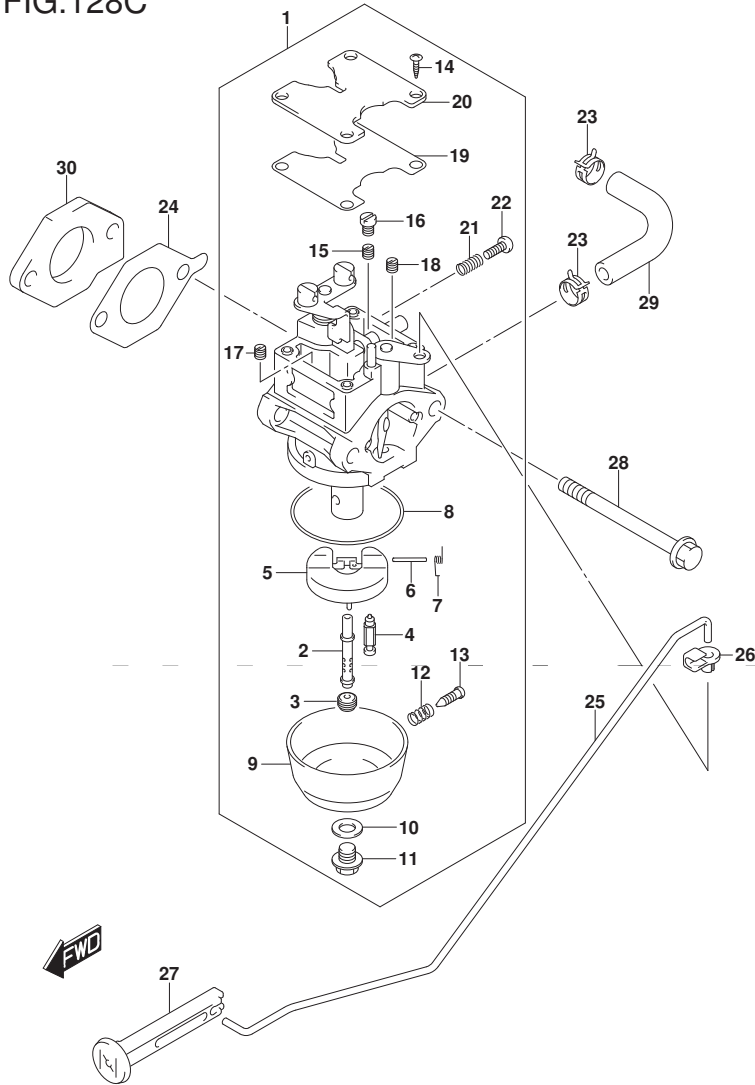


FIG.146A

FIG.146A (1-B-9) FUEL PUMP (DF4A P01)

| REF NO. | PART NO. | DESCRIPTION | Q'TY | REMARKS |
|---------|-----------------|---------------------------|------|----------------|
| 1 | 15100-91J02 | PUMP ASSY, FUEL | 1 | |
| 2 | 15170-91J01 | .DIAPHRAGM SET | 1 | |
| 3 | 15251-91J00 | .SCREW | 4 | |
| 4 | 15191-97L00 | HOSE, FUEL (PUMP TO ELB2) | 1 | |
| 5 | 15850-97L00 | VALVE, FUEL RTN CHECK | 1 | |
| 6 | 33833-97L30 | PROTECTOR, FUEL HOSE | 1 | |
| 7 | 44330-13H00 | FILTER, FUEL | 1 | |
| 8 | 09280-27006 | O RING (D:2.ID:27.5) | 1 | |
| 9 | 09343-50L01-040 | HOSE (5X10X40) | 1 | FILTER TO PUMP |
| 10 | 09343-50L01-040 | HOSE (5X10X40) | 1 | 3WAY TO VALVE |
| 11 | 09343-50L01-080 | HOSE (5X10X80) | 1 | VALVE TO 3WAY |
| 12 | 09343-50L01-120 | HOSE (5X10X120) | 1 | COCK TO 3WAY |
| 13 | 09343-50L01-550 | HOSE (5X10X550) | 1 | 3WAY TO FILTER |
| 14 | 09367-06007 | 3 WAY | 2 | |
| 15 | 09401-09404 | CLIP | 12 | |
| 16 | 09403-09326 | CLAMP | 3 | |
| 17 | 01550-0630C | BOLT | 2 | |

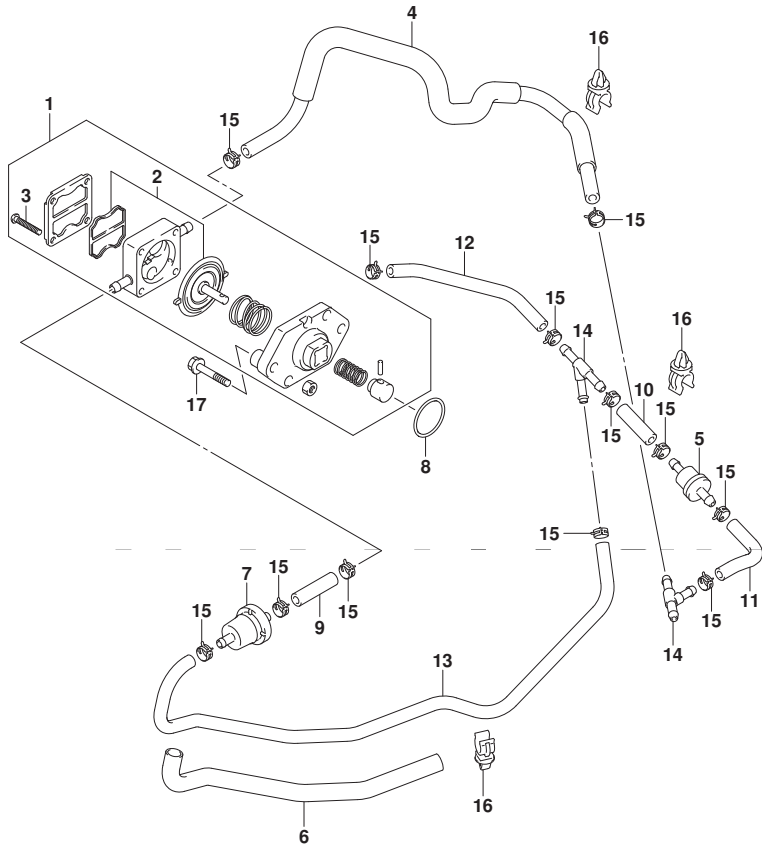


FIG.146B

FIG.146B (1-B-10) FUEL PUMP (DF5A P01)

| REF NO. | PART NO. | DESCRIPTION | Q'TY | REMARKS |
|---------|-----------------|---------------------------|------|----------------------|
| 1 | 15100-91J02 | PUMP ASSY, FUEL | 1 | |
| 2 | 15170-91J01 | .DIAPHRAGM SET | 1 | |
| 3 | 15251-91J00 | .SCREW | 4 | |
| 4 | 15191-97L00 | HOSE, FUEL (PUMP TO ELB2) | 1 | |
| 5 | 15192-97L00 | HOSE, FUEL (CONN TO ELB3) | 1 | |
| 6 | 15850-97L00 | VALVE, FUEL RTN CHECK | 1 | |
| 7 | 33833-97L00 | PROTECTOR, FUEL HOSE | 1 | |
| 8 | 33833-97L10 | PROTECTOR, FUEL HOSE | 1 | |
| 9 | 33833-97L20 | PROTECTOR, FUEL HOSE | 1 | |
| 10 | 44330-13H00 | FILTER, FUEL | 1 | |
| 11 | 09280-27006 | O RING (D:2, ID:27.5) | 1 | |
| 12 | 09343-50L01-040 | HOSE (5X10X40) | 1 | FILTER TO PUMP |
| 13 | 09343-50L01-040 | HOSE (5X10X40) | 1 | 3WAY TO VALVE |
| 14 | 09343-50L01-080 | HOSE (5X10X80) | 1 | VALVE TO 3WAY |
| 15 | 09343-50L01-110 | HOSE (5X10X110) | 1 | JOINT,3WAY TO FILTER |
| 16 | 09343-50L01-120 | HOSE (5X10X120) | 1 | COCK TO 3WAY |
| 17 | 09343-50L01-440 | HOSE (5X10X440) | 1 | 3WAY TO JOINT,3WAY |
| 18 | 09367-06002 | JOINT, 3 WAY | 1 | |
| 19 | 09367-06007 | 3 WAY | 2 | |
| 20 | 09401-09404 | CLIP | 15 | |
| 21 | 09401-11424 | CLIP | 1 | |
| 22 | 09403-09326 | CLAMP | 3 | |
| 23 | 01550-0630C | BOLT | 2 | |

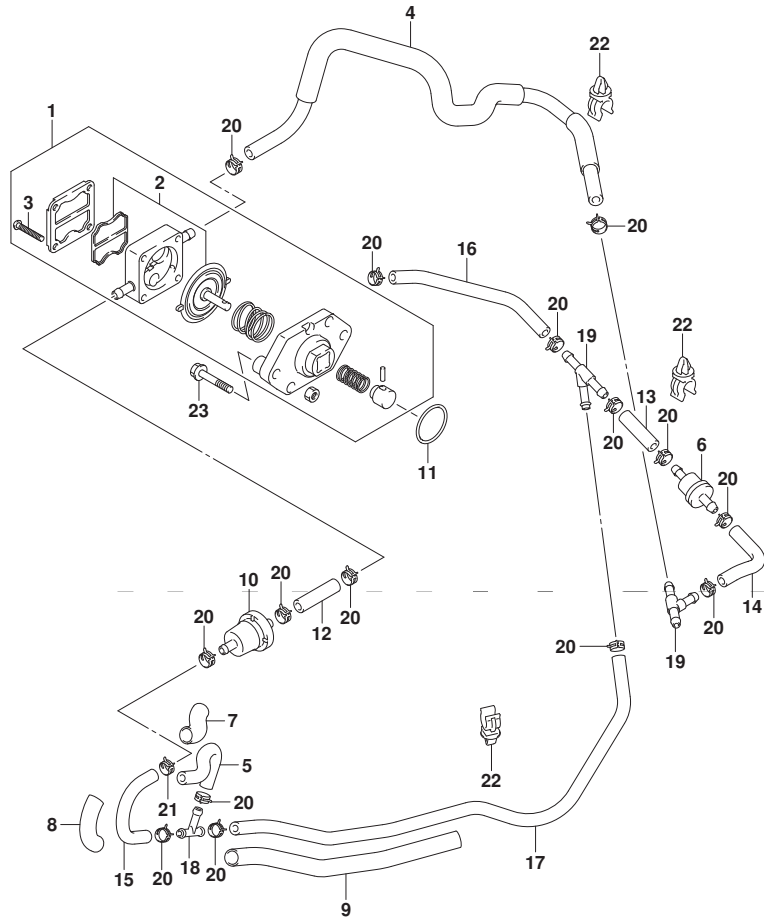


FIG.146C

FIG.146C (1-B-11) FUEL PUMP (DF6A P01)

| REF NO. | PART NO. | DESCRIPTION | Q'TY | REMARKS |
|---------|-----------------|---------------------------|------|----------------------|
| 1 | 15100-91J02 | PUMP ASSY, FUEL | 1 | |
| 2 | 15170-91J01 | .DIAPHRAGM SET | 1 | |
| 3 | 15251-91J00 | .SCREW | 4 | |
| 4 | 15191-97L00 | HOSE, FUEL (PUMP TO ELB2) | 1 | |
| 5 | 15192-97L00 | HOSE, FUEL (CONN TO ELB3) | 1 | |
| 6 | 15850-97L00 | VALVE, FUEL RTN CHECK | 1 | |
| 7 | 33833-97L00 | PROTECTOR, FUEL HOSE | 1 | |
| 8 | 33833-97L10 | PROTECTOR, FUEL HOSE | 1 | |
| 9 | 33833-97L20 | PROTECTOR, FUEL HOSE | 1 | |
| 10 | 44330-13H00 | FILTER, FUEL | 1 | |
| 11 | 09280-27006 | O RING (D:2, ID:27.5) | 1 | |
| 12 | 09343-50L01-040 | HOSE (5X10X40) | 1 | FILTER TO PUMP |
| 13 | 09343-50L01-040 | HOSE (5X10X40) | 1 | 3WAY TO VALVE |
| 14 | 09343-50L01-080 | HOSE (5X10X80) | 1 | VALVE TO 3WAY |
| 15 | 09343-50L01-110 | HOSE (5X10X110) | 1 | JOINT,3WAY TO FILTER |
| 16 | 09343-50L01-120 | HOSE (5X10X120) | 1 | COCK TO 3WAY |
| 17 | 09343-50L01-440 | HOSE (5X10X440) | 1 | 3WAY TO JOINT,3WAY |
| 18 | 09367-06002 | JOINT, 3 WAY | 1 | |
| 19 | 09367-06007 | 3 WAY | 2 | |
| 20 | 09401-09404 | CLIP | 15 | |
| 21 | 09401-11424 | CLIP | 1 | |
| 22 | 09403-09326 | CLAMP | 3 | |
| 23 | 01550-0630C | BOLT | 2 | |

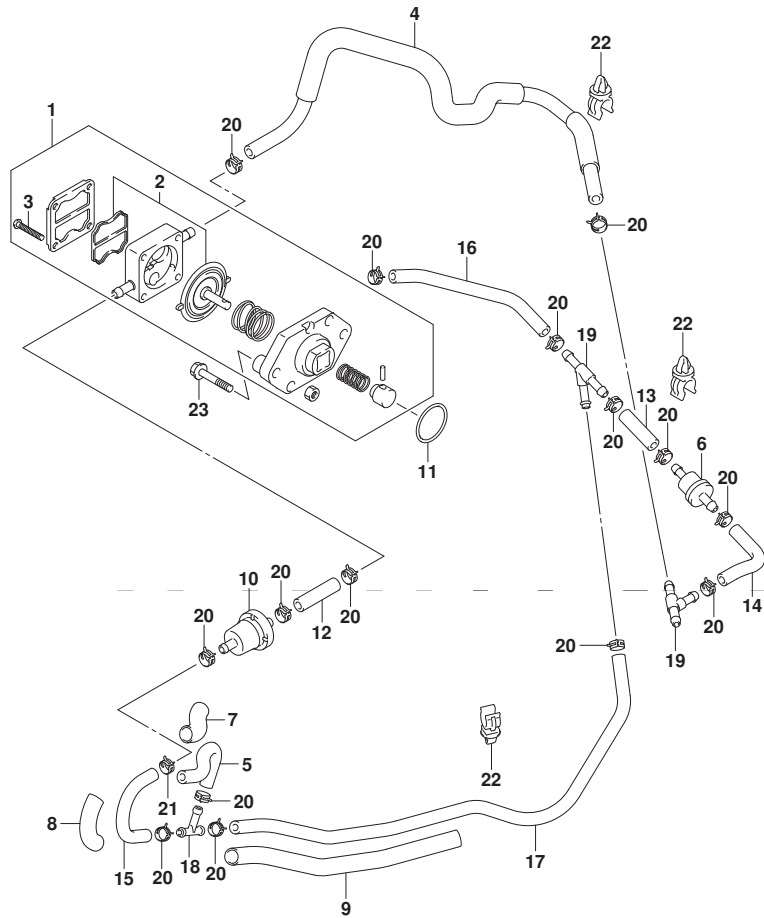
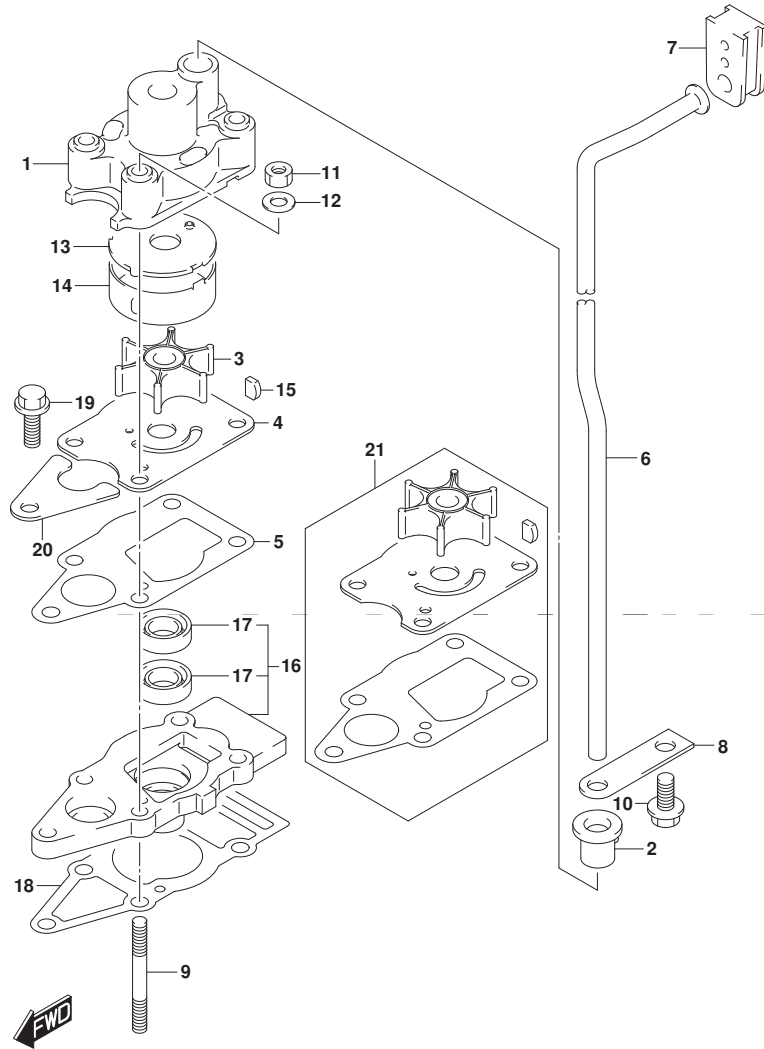


FIG.160A

FIG.160A (1-B-12) WATER PUMP



| REF NO. | PART NO. | DESCRIPTION | Q'TY | REMARKS |
|---------|-------------|-------------------------------|------|--------------|
| 1 | 17410-91JL0 | CASE ASSY, WATER PUMP | 1 | |
| 2 | 17415-98501 | GROMMET, WATER PUMP CASE | 1 | |
| 3 | 17461-985M0 | IMPELLER, WATER PUMP | 1 | |
| 4 | 17471-98610 | PANEL, PUMP CASE UNDER | 1 | |
| 5 | 17472-91J00 | GASKET, PUMP CASE PANEL | 1 | |
| 6-1 | 17561-97L00 | TUBE, WATER (S) | 1 | W/TRANSOM(S) |
| 6-2 | 17561-97L10 | TUBE, WATER (L) | 1 | W/TRANSOM(L) |
| 7 | 17563-97L00 | GROMMET, WATER TUBE UPPER | 1 | |
| 8 | 17564-98600 | GUIDE, WATER TUBE | 1 | |
| 9 | 09108-06146 | STUD BOLT | 4 | |
| 10 | 09116-06225 | BOLT (6X15) | 1 | |
| 11 | 29141-93J00 | NUT | 4 | |
| 12 | 09160-06082 | WASHER (6.5X13X1.0) | 4 | |
| 13 | 17412-91JL0 | PANEL, WATER PUMP CASE UPPER | 1 | |
| 14 | 17413-91JL0 | SLEEVE, WATER PUMP CASE | 1 | |
| 15 | 09420-03002 | KEY | 1 | |
| 16 | 56130-91J20 | HOUSING ASSY, DRIVE SHAFT BRG | 1 | |
| 17 | 09282-10008 | .OIL SEAL (10X21X4.5) | 2 | |
| 18 | 56132-91J00 | GASKET, DRIVE SHAFT HOUSING | 1 | |
| 19 | 09116-06229 | BOLT (6X25) | 1 | |
| 20 | 25215-98601 | STOPPER, SHIFT ROD GUIDE | 1 | |
| 21 | 17400-986L1 | KIT, WATER PUMP REPAIR | 1 | OPT |

FIG.167A

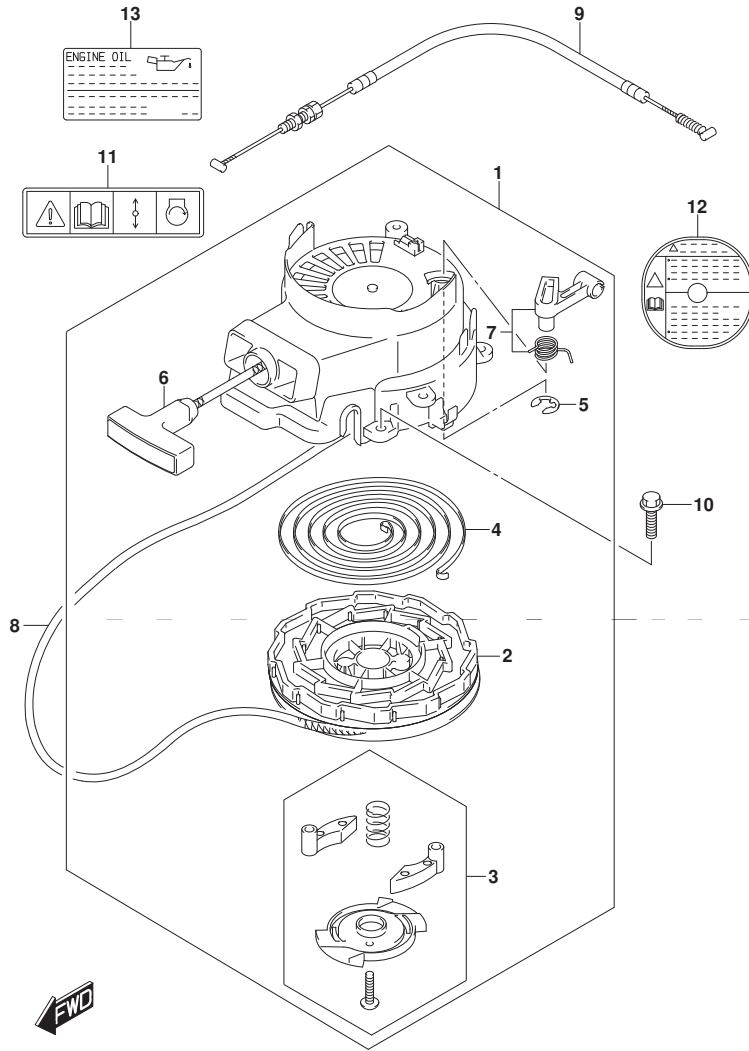


FIG.167A (1-B-13) RECOIL STARTER

| REF NO. | PART NO. | DESCRIPTION | Q'TY | REMARKS |
|---------|-----------------|------------------------|------|----------------------|
| 1 | 18100-97L00 | STARTER ASSY, RECOIL | 1 | |
| 2 | 18121-97L00 | .REEL | 1 | |
| 3 | 18130-97L00 | .RATCHET SET | 1 | |
| 4 | 18142-97L00 | .SPRING, SPIRAL | 1 | |
| 5 | 18178-98310 | .CIRCLIP | 1 | |
| 6 | 18210-95L00 | .GRIP ASSY | 1 | |
| 7 | 18280-91J00 | .NSI SET | 1 | |
| 8 | 99000-81157-50M | ROPE | 1 | OPT L:50000->1200 |
| 9 | 18290-97L00 | CABLE ASSY, NSI | 1 | |
| 10 | 01550-0620C | BOLT | 3 | |
| 11 | 69711-91J10 | LABEL, S.I.G.P | 1 | |
| 12 | 61472-97L00 | LABEL, RECOIL STARTER | 1 | |
| 13 | 61494-97L00 | LABEL, OIL & CLEARANCE | 1 | |

FIG.175A

FIG.175A (1-B-14) OIL PUMP

| REF NO. | PART NO. | DESCRIPTION | Q'TY | REMARKS |
|---------|-------------|-----------------------|------|---------|
| 1 | 16131-97L00 | ROTOR, OIL PUMP INNER | 1 | |
| 2 | 16132-97L00 | ROTOR, OIL PUMP OUTER | 1 | |
| 3 | 16161-97L00 | PLATE, OIL PUMP ROTOR | 1 | |
| 4 | 16165-97L00 | SEAL, OIL PUMP COVER | 1 | |
| 5 | 16520-97L00 | STRAINER, OIL | 1 | |
| 6 | 16524-97L00 | GROMMET, OIL STRAINER | 1 | |
| 7 | 01550-0620A | BOLT | 1 | |
| 8 | 01547-0620C | BOLT | 3 | |
| 9 | 16510-16H11 | FILTER, ENGINE OIL | 1 | |
| 10 | 16512-97L00 | CAP, OIL FILTER | 1 | |
| 11 | 09280-39001 | O RING (D:2.ID:38.5) | 1 | |
| 12 | 09440-10038 | SPRING | 1 | |
| 13 | 01550-0616C | BOLT | 2 | |

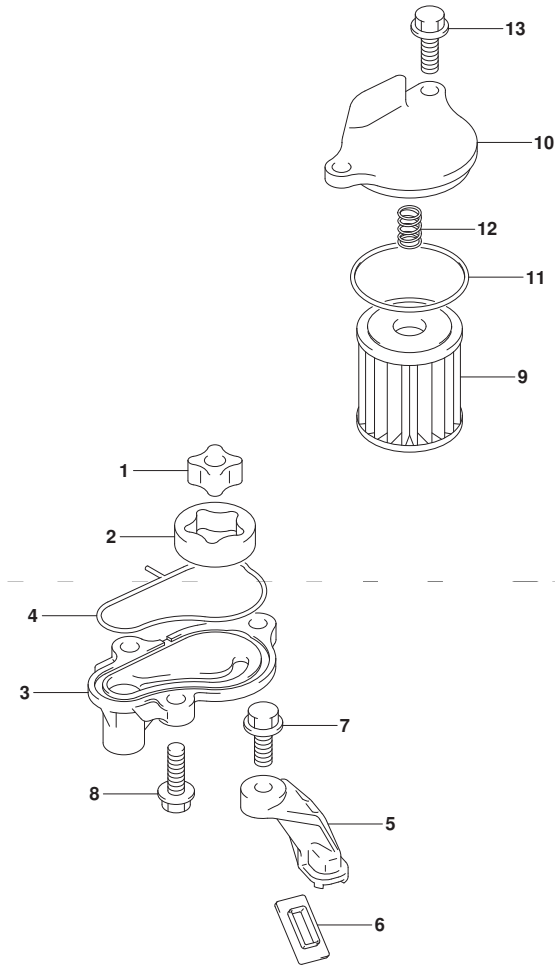


FIG.208A

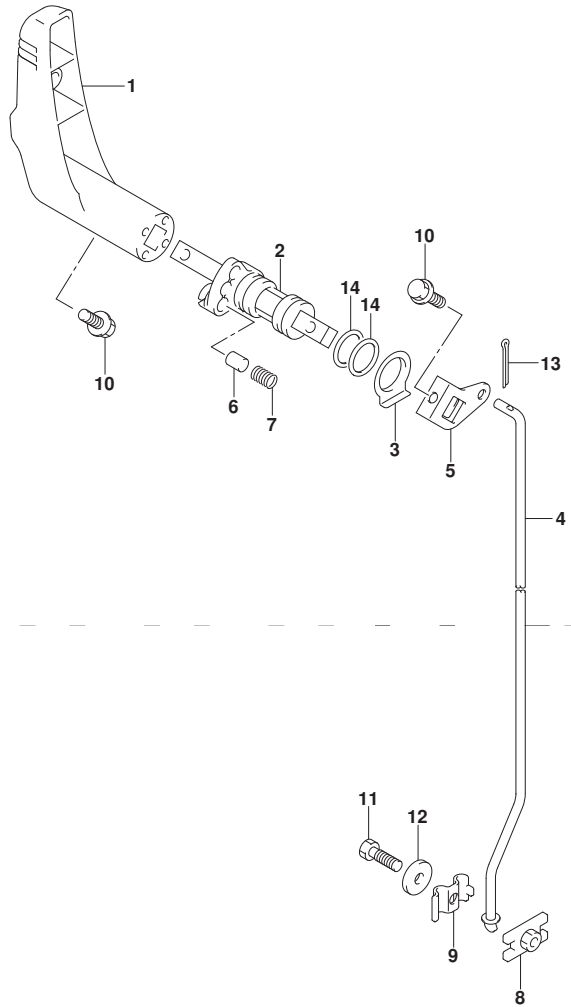


FIG.208A (1-B-15) CLUTCH LEVER

| REF NO. | PART NO. | DESCRIPTION | Q'TY | REMARKS |
|---------|-------------|----------------------------|------|---------|
| 1 | 21110-97L00 | LEVER, CLUTCH | 1 | |
| 2 | 21120-97L00 | PLATE, CLUTCH NOTCH | 1 | |
| 3 | 21216-91J00 | SPACER, CLUTCH SHAFT | 1 | |
| 4 | 23110-97L00 | ROD, CLUTCH | 1 | |
| 5 | 23210-91J00 | ARM, CLUTCH ROD | 1 | |
| 6 | 23212-91J00 | PIN, CLUTCH NOTCH | 1 | |
| 7 | 23213-91J00 | SPRING, CLUTCH NOTCH | 1 | |
| 8 | 23310-91J00 | CONNECTOR, CLUTCH ROD NO.1 | 1 | |
| 9 | 23321-91J00 | CONNECTOR, CLUTCH ROD NO.2 | 1 | |
| 10 | 09116-06227 | BOLT (6X20) | 2 | |
| 11 | 09128-06014 | BOLT (6X20) | 1 | |
| 12 | 09160-06145 | WASHER (6.2X19X3) | 1 | |
| 13 | 09204-01002 | PIN | 1 | |
| 14 | 09280-16005 | O RING (D:2.4,ID:15.8) | 2 | |

FIG.210A

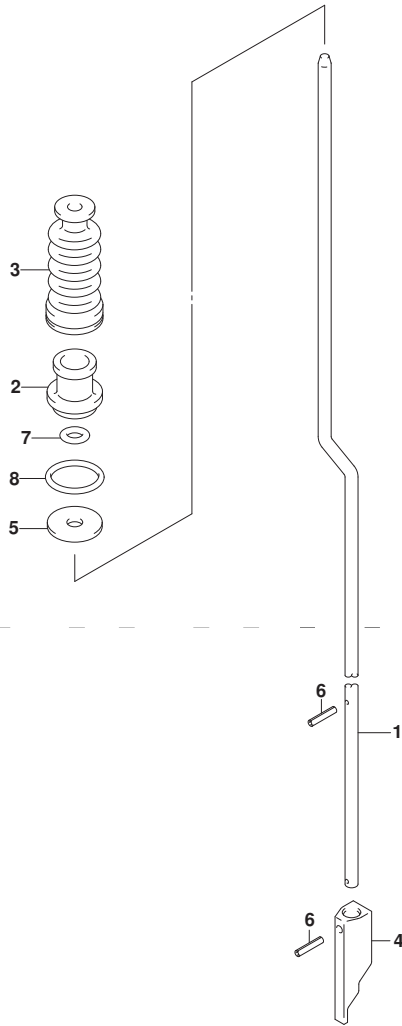


FIG.210A (1-C-2) SHIFT ROD

| REF NO. | PART NO. | DESCRIPTION | Q'TY | REMARKS |
|---------|-------------|------------------------|------|--------------|
| 1-1 | 25111-97L00 | ROD, SHIFT (S) | 1 | W/TRANSOM(S) |
| 1-2 | 25111-97L10 | ROD, SHIFT (L) | 1 | W/TRANSOM(L) |
| 2 | 25211-98601 | GUIDE, SHIFT ROD | 1 | |
| 3 | 25222-91JL0 | BOOT, SHIFT ROD | 1 | |
| 4 | 25311-91J01 | CAM, SHIFT ROD | 1 | |
| 5 | 09160-05501 | WASHER (5.5X20X1.2) | 1 | |
| 6 | 09205-02004 | SPRING PIN (2.5X12) | 2 | |
| 7 | 09280-05008 | O RING (D:2.9,ID:4.8) | 1 | |
| 8 | 09280-15007 | O RING (D:2.4,ID:15.8) | 1 | |

FIG.230A

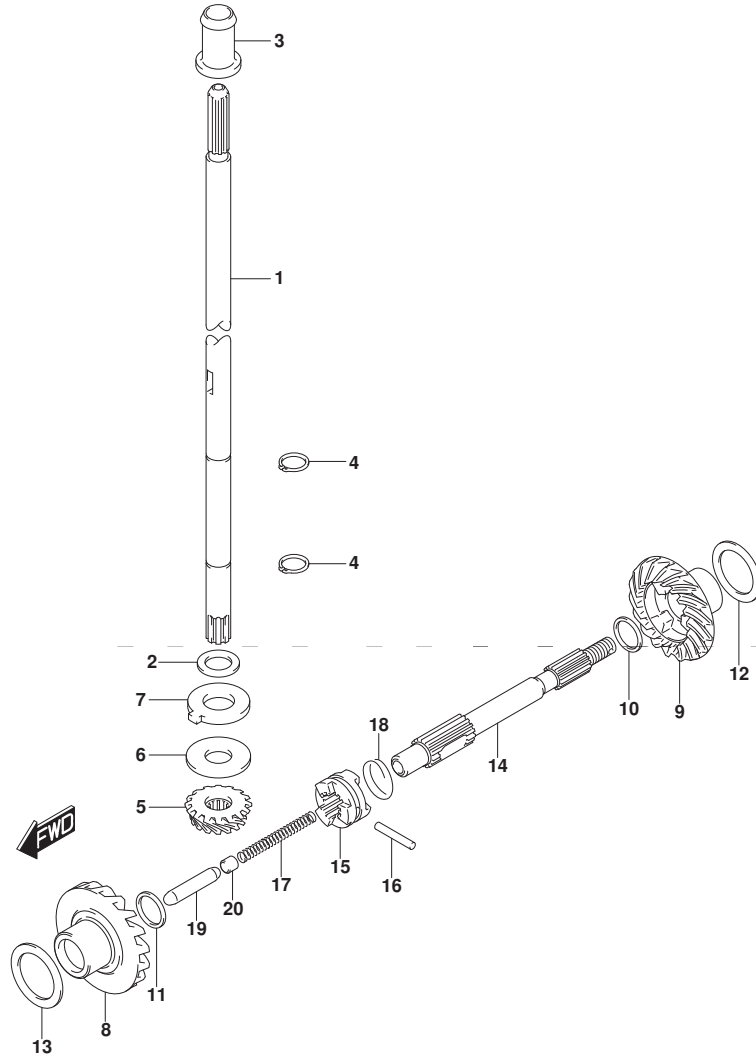


FIG.230A (1-C-3) DRIVE SHAFT

| REF NO. | PART NO. | DESCRIPTION | Q'TY | REMARKS |
|---------|-------------|--------------------------------|------|--------------|
| 1-1 | 57111-91J21 | SHAFT, DRIVE (S) | 1 | W/TRANSOM(S) |
| 1-2 | 57111-91J31 | SHAFT, DRIVE (L) | 1 | W/TRANSOM(L) |
| 2 | 09181-10156 | SHIM (T:1.5) | 1 | |
| 3 | 57130-91J00 | BUSH, DRIVE SHAFT | 1 | W/TRANSOM(L) |
| 4 | 09380-10003 | CIRCLIP | 2 | |
| 5 | 57311-91J00 | PINION (NT:12) | 1 | |
| 6-1 | 09160-10088 | WASHER (10X24X1.7) | 1 | PINION ADJ |
| 6-2 | 09160-10089 | WASHER (10X24X1.8) | 1 | PINION ADJ |
| 6-3 | 09160-10090 | WASHER (10X24X1.9) | 1 | PINION ADJ |
| 6-4 | 09160-10091 | WASHER (10X24X2) | 1 | PINION ADJ |
| 6-5 | 09160-10092 | WASHER (10X24X2.1) | 1 | PINION ADJ |
| 7 | 09166-12L01 | WASHER | 1 | |
| 8 | 57510-91J00 | GEAR, FORWARD (NT:23) | 1 | |
| 9 | 57520-97L00 | GEAR, REVERSE (NT:23) | 1 | |
| 10-1 | 59171-97L00 | WASHER, PROP SFT REV THR (0.6) | 1 | |
| 10-2 | 59171-97L10 | WASHER, PROP SFT REV THR (0.8) | 1 | |
| 10-3 | 59171-97L20 | WASHER, PROP SFT REV THR (1.0) | 1 | |
| 11 | 09181-12111 | SHIM (T:1.0) | 1 | PROP SFT FWD |
| 12-1 | 09181-12022 | SHIM (T:1.3) | 1 | REV GEAR |
| 12-2 | 09181-12023 | SHIM (T:1.4) | 1 | REV GEAR |
| 12-3 | 09181-12024 | SHIM (T:1.5) | 1 | REV GEAR |
| 12-4 | 09181-12017 | SHIM (T:1.6) | 1 | REV GEAR |
| 12-5 | 09181-12018 | SHIM (T:1.7) | 1 | REV GEAR |
| 13-1 | 09181-20162 | SHIM (T:0.8) | 1 | FWD GEAR |
| 13-2 | 09181-20164 | SHIM (T:0.9) | 1 | FWD GEAR |
| 13-3 | 09181-20167 | SHIM (T:1.0) | 1 | FWD GEAR |
| 13-4 | 09181-20172 | SHIM (T:1.1) | 1 | FWD GEAR |
| 13-5 | 09181-20176 | SHIM (T:1.2) | 1 | FWD GEAR |
| 14 | 57611-97L00 | SHAFT, PROPELLER | 1 | |
| 15 | 57621-986L0 | SHIFTER, CLUTCH DOG | 1 | |
| 16 | 09202-04016 | PIN | 1 | |
| 17 | 09440-05039 | SPRING | 1 | |
| 18 | 09440-24007 | SPRING | 1 | |
| 19 | 57631-98601 | ROD, PUSH | 1 | |
| 20 | 57632-97L00 | PIN, PUSH | 1 | |

FIG.303A

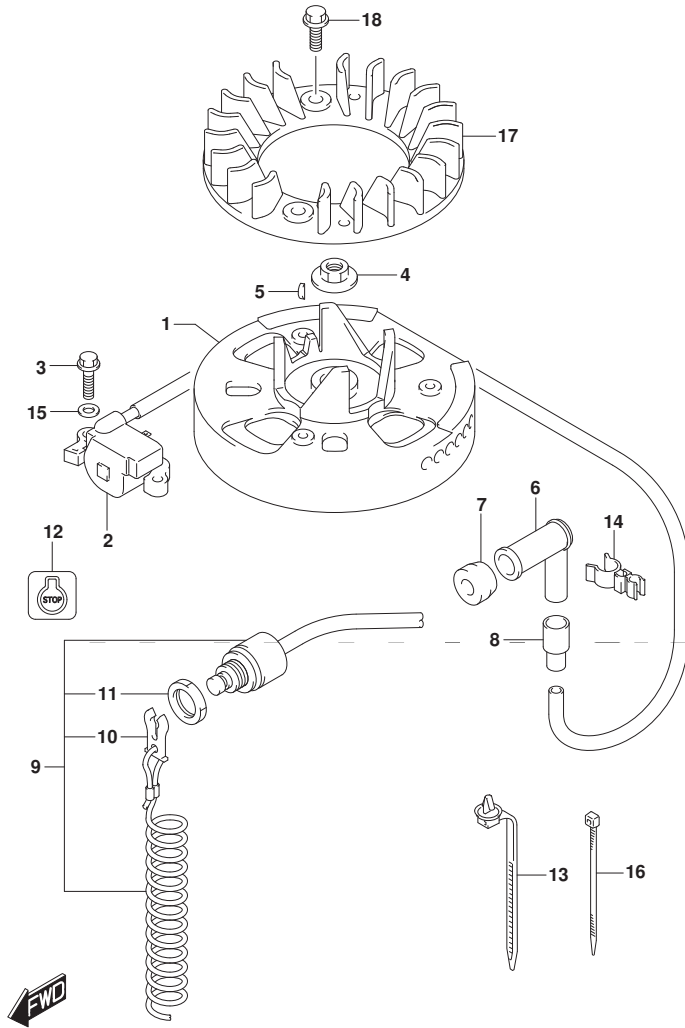


FIG.303A (1-C-4) MAGNETO

| REF NO. | PART NO. | DESCRIPTION | Q'TY | REMARKS |
|---------|-------------|-------------------------|------|---------|
| 1 | 32102-97L00 | FLYWHEEL | 1 | |
| 2 | 33410-97L00 | IGNITER ASSY, MAGNETO | 1 | |
| 3 | 01547-0620C | BOLT | 2 | |
| 4 | 08316-1012A | NUT | 1 | |
| 5 | 08341-31039 | KEY | 1 | |
| 6 | 33510-07H00 | CAP, SPARK PLUG | 1 | |
| 7 | 33541-16H00 | SEAL, SPARK PLUG | 1 | |
| 8 | 33542-07H00 | SEAL, HIGH TENSION CORD | 1 | |
| 9 | 37830-97L00 | SWITCH, EMERGENCY | 1 | |
| 10 | 37823-97J00 | .PLATE, LOCK | 1 | |
| 11 | 37826-97J00 | .NUT | 1 | |
| 12 | 37835-95D00 | LABEL, STOP | 1 | |
| 13 | 36991-94L00 | CLAMP, HT CORD | 1 | |
| 14 | 09408-00159 | CLAMP | 1 | |
| 15 | 08322-01067 | WASHER | 1 | |
| 16 | 09407-14407 | CLAMP (L:145) | 2 | |
| 17 | 17110-97L00 | FAN, COOLING | 1 | |
| 18 | 01550-0612C | BOLT | 3 | |

FIG.335A

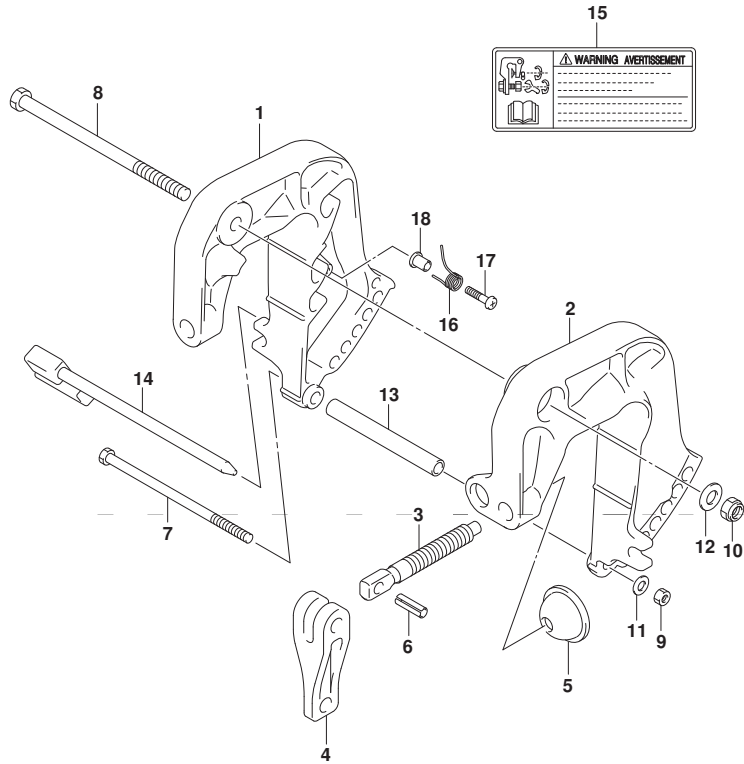


FIG.335A (1-C-5) CLAMP BRACKET

| REF NO. | PART NO. | DESCRIPTION | Q'TY | REMARKS |
|---------|-----------------|-----------------------------|------|---------|
| 1 | 41111-97L00-YAY | BRACKET, CLAMP STBD (BLACK) | 1 | |
| 2 | 41121-97L00-YAY | BRACKET, CLAMP PORT (BLACK) | 1 | |
| 3 | 41211-97L00 | SCREW, CLAMP | 2 | |
| 4 | 41212-91J00 | HANDLE, CLAMP | 2 | |
| 5 | 41213-94J01 | PLATE, CLAMP | 2 | |
| 6 | 09205-06021 | SPRING PIN (6X25) | 2 | |
| 7 | 09100-06176 | BOLT (6X120) | 1 | |
| 8 | 09100-08314 | BOLT (8X140) | 1 | |
| 9 | 29141-93J00 | NUT | 1 | |
| 10 | 09159-08059 | NUT | 1 | |
| 11 | 09160-06082 | WASHER (6.5X13X1.0) | 1 | |
| 12 | 09160-08059 | WASHER(8.5X18X1.6) | 1 | |
| 13 | 09180-06371 | SPACER (6.5X10.5X92) | 1 | |
| 14 | 45420-97L00 | PIN, TILT LOCK | 1 | |
| 15 | 69911-91J50 | MARK, CLAMP BRACKET | 1 | |
| 16 | 45717-97L00 | SPRING | 1 | |
| 17 | 09125-05143 | SCREW (5X20) | 1 | |
| 18 | 09180-05067 | SPACER | 1 | |



FIG.336A

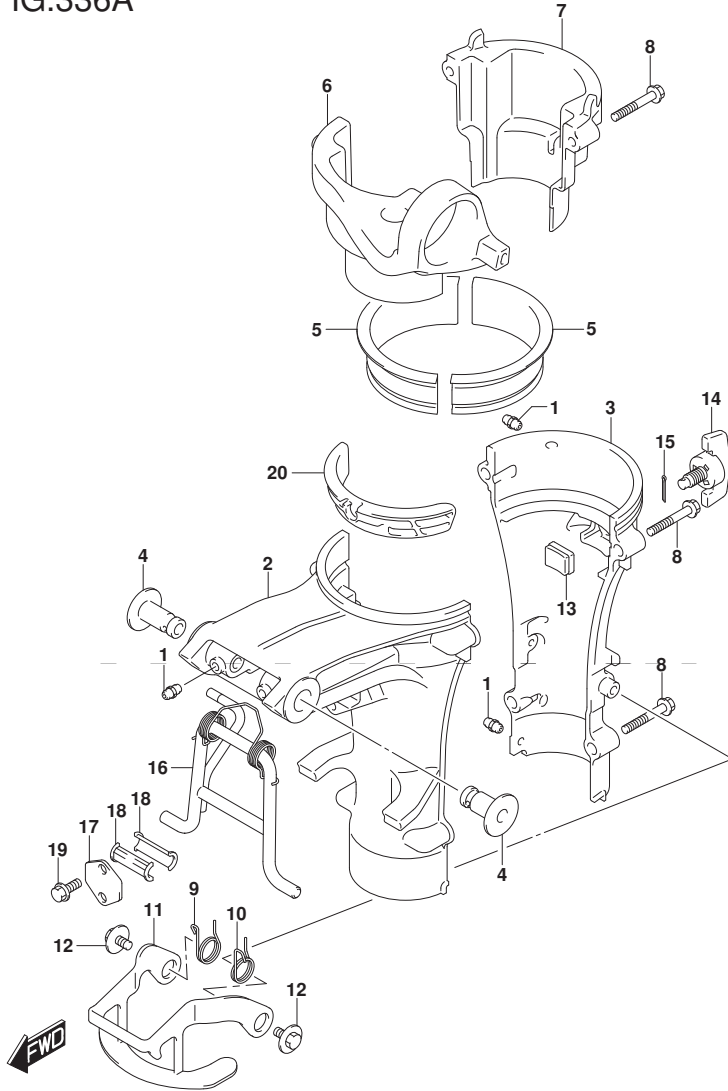


FIG.336A (1-C-6) SWIVEL BRACKET

| REF NO. | PART NO. | DESCRIPTION | Q'TY | REMARKS |
|---------|-----------------|-------------------------------|------|---------|
| 1 | 22511-99011 | NIPPLE, GREASE | 4 | |
| 2 | 43111-97L00-YAY | BRACKET, SWIVEL (BLACK) | 1 | |
| 3 | 43121-97L00-YAY | COVER, SWIVEL BRACKET (BLACK) | 1 | |
| 4 | 43211-97L00 | BUSH, CLAMP BRKT BOLT | 2 | |
| 5 | 43711-97L00 | BUSH, STEERING UPPER | 2 | |
| 6 | 43751-97L00-YAY | BRACKET, STEERING (BLACK) | 1 | |
| 7 | 43752-97L00-YAY | COVER, STEERING BRKT (BLACK) | 1 | |
| 8 | 09116-06234 | BOLT (6X35) | 6 | |
| 9 | 45211-97L00 | SPRING, REVERSE LOCK ARM STBD | 1 | |
| 10 | 45212-97L00 | SPRING, REVERSE LOCK ARM PORT | 1 | |
| 11 | 45230-97L00 | ARM, REVERSE LOCK | 1 | |
| 12 | 09116-06224 | BOLT (6X12) | 2 | |
| 13 | 43430-97L00 | RUBBER, STEERING ADJUSTER | 1 | |
| 14 | 43410-91J21 | KNOB, STEERING ADJUSTER | 1 | |
| 15 | 45247-99J00 | PIN, REV LOCK ARM COTTER | 1 | |
| 16 | 45710-97L00 | ARM, SHALLOW WATER DRIVE | 1 | |
| 17 | 45733-97L00 | PLATE, SHALLOW DRIVE | 1 | |
| 18 | 45751-97L00 | BUSH, SHALLOW DRIVE WATER ARM | 2 | |
| 19 | 09116-06226 | BOLT (6X16) | 2 | |
| 20 | 43417-97L00 | SPACER, STEERING ADJUSTER | 1 | |

FIG.405A

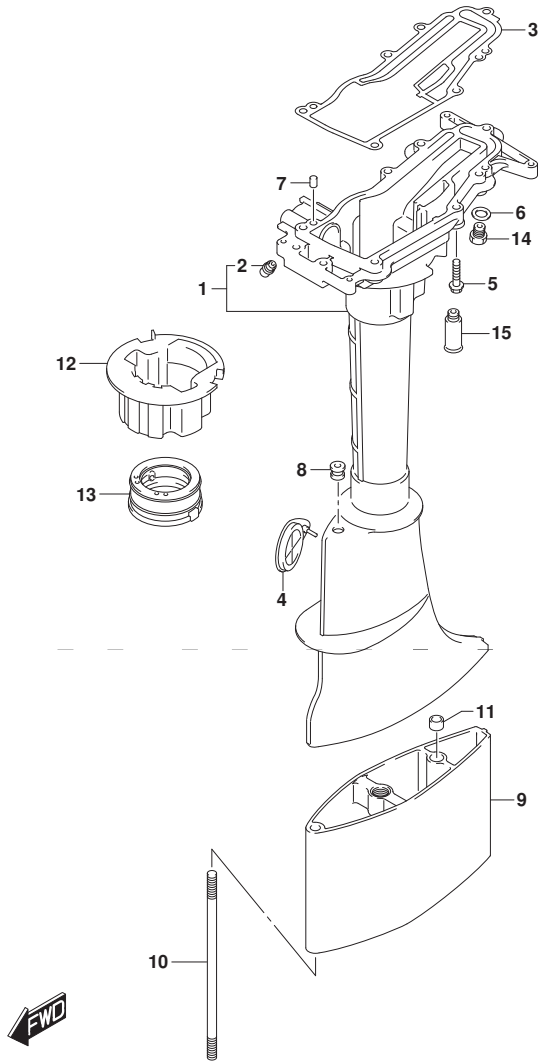


FIG.405A (1-C-7) DRIVE SHAFT HOUSING

| REF NO. | PART NO. | DESCRIPTION | Q'TY | REMARKS |
|---------|-----------------|------------------------------|------|--------------|
| 1 | 52110-97L00-YAY | HOUSING, DRIVE SHAFT (BLACK) | 1 | |
| 2 | 22511-99011 | .NIPPLE, GREASE | 1 | |
| 3 | 52113-97L00 | GASKET, DRIVE SHAFT HSG | 1 | |
| 4 | 52115-98600 | COVER, CLUTCH ADJUST HOLE | 1 | |
| 5 | 09116-06233 | BOLT (6X35) | 7 | |
| 6 | 09168-10022 | GASKET (10X17X1.5) | 1 | |
| 7 | 09202-06023 | PIN (6X10) | 2 | |
| 8 | 09320-04010 | BUSH | 1 | |
| 9 | 52131-91J20-YAY | CASE, EXTENSION (BLACK) | 1 | W/TRANSOM(L) |
| 10 | 09108-08092 | STUD BOLT | 2 | W/TRANSOM(L) |
| 11 | 09206-11006 | PIN (8.4X11X8) | 1 | W/TRANSOM(L) |
| 12 | 54132-97L00 | RUBBER, MOUNT UPPER | 1 | |
| 13 | 54162-97L00 | RUBBER, MOUNT LOWER | 1 | |
| 14 | 52117-97L00 | TUBE, WATER INSPECTION | 1 | |
| 15 | 55181-95200 | ATTACHMENT, FLUSH HOSE | 1 | OPT |

FIG.407A

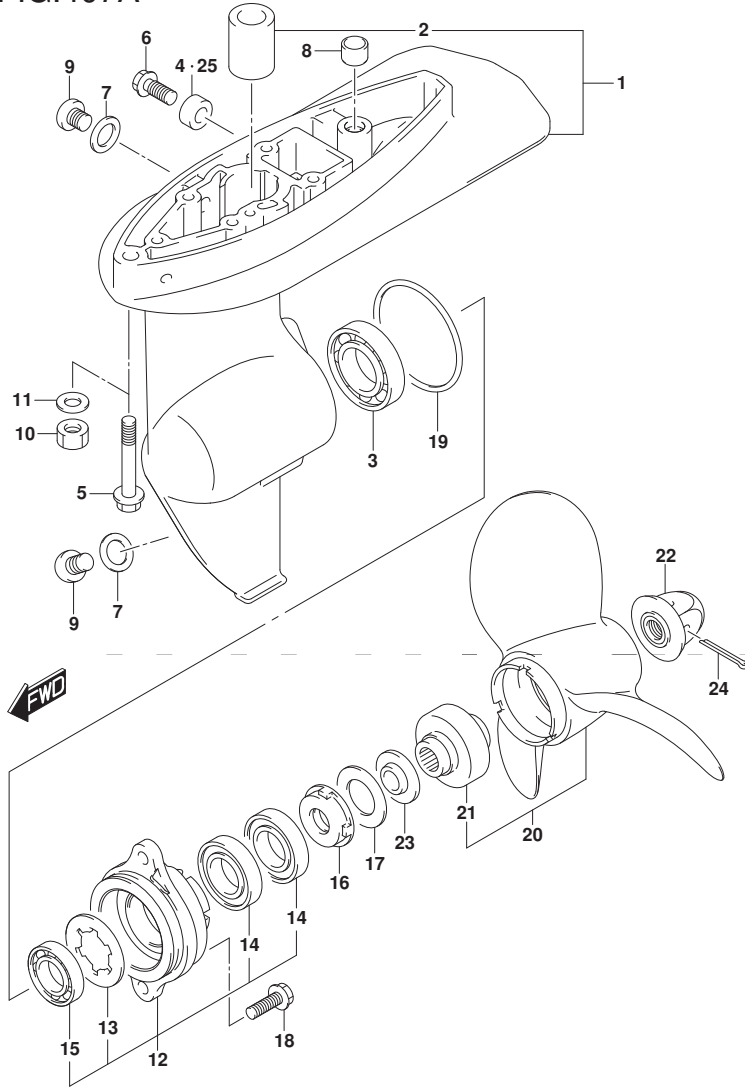


FIG.407A (1-C-8) GEAR CASE

| REF NO. | PART NO. | DESCRIPTION | Q'TY | REMARKS |
|---------|-----------------|-----------------------------------|------|--------------|
| 1 | 55110-97L00-YAY | CASE ASSY, GEAR (BLACK) | 1 | |
| 2 | 59311-91J00 | .BUSH | 1 | |
| 3 | 09262-20106 | BEARING (20X42X12) | 1 | |
| 4 | 55321-87J01 | ANODE, PROTECTION | 1 | |
| 5 | 09116-08156 | BOLT (8X50) | 2 | W/TRANSOM(S) |
| 6 | 09103-06281 | BOLT (6X14) | 1 | |
| 7 | 59178-97J00 | GASKET, DRAIN PLUG | 2 | |
| 8 | 09206-11006 | PIN (8.4X11X8) | 1 | |
| 9 | 09248-08001 | PLUG (8X7.5) | 2 | |
| 10 | 09140-08023-XC0 | NUT | 2 | W/TRANSOM(L) |
| 11 | 09160-08082 | WASHER (8.5X16X1.2) | 2 | W/TRANSOM(L) |
| 12 | 56120-97L00-YAY | HOUSING, PROP SFT BRG (BLACK) | 1 | |
| 13 | 09167-23001 | .WASHER | 1 | |
| 14 | 09282-12L05 | .OIL SEAL (12X24X4.5) | 2 | |
| 15 | 09262-12001 | .BEARING (12X28X8) | 1 | |
| 16 | 56122-98601 | PROTECTOR, OIL SEAL | 1 | |
| 17 | 56123-98600 | WASHER, PROTECTOR | 1 | |
| 18 | 09116-06225 | BOLT (6X15) | 2 | |
| 19 | 09280-49002 | O RING (D:2.6,ID:48.7) | 1 | |
| 20-1 | 58110-91JL0-019 | PROPELLER (3X7-1/2X6) (BLACK) | 1 | |
| 20-2 | 58110-91JM0-019 | PROPELLER (3X7-1/2X6-1/2) (BLACK) | 1 | |
| 20-3 | 58110-91JN0-019 | PROPELLER (3X7-1/2X7) (BLACK) | 1 | |
| 21 | 58120-91JL0 | .BUSH, PROPELLER | 1 | |
| 22 | 58130-91JL0 | NUT, PROPELLER | 1 | |
| 23 | 57635-97L00 | STOPPER, PROPELLER BUSH | 1 | |
| 24 | 09204-03003 | COTTER PIN | 1 | |
| 25 | 55321-87J11 | ANODE (MAGNESIUM) | 1 | OPT |

FIG.412A

FIG.412A (1-C-9) LOWER COVER (DF4A P01)

| REF NO. | PART NO. | DESCRIPTION | Q'TY | REMARKS |
|---------|-----------------|------------------------------|------|---------|
| 1 | 61110-97L00-QGF | COVER, ENGINE LOWER (BLACK) | 1 | |
| 2 | 61112-97L00 | RUBBER, ENGINE LOWER COVER | 1 | |
| 3 | 61117-97L00 | COVER, AIR INTAKE LOWER | 1 | |
| 4 | 61133-97L00 | DUCT, AIR VENT | 1 | |
| 5 | 61135-97L00 | CUSHION, AIR VENT DUCT LOWER | 1 | |
| 6 | 61137-97L00 | CUSHION, AIR VENT DUCT UPPER | 1 | |
| 7 | 61189-97L00 | GROMMET, OIL DRAIN | 1 | |
| 8 | 09116-06227 | BOLT (6X20) | 2 | |
| 9 | 09116-06509 | BOLT (6X20) | 4 | |
| 10 | 09250-10010 | CAP (OD:15) | 1 | |
| 11 | 09250-12006 | CAP (OD:20) | 1 | |
| 12 | 03542-05169 | SCREW | 1 | |
| 13 | 61611-91J11 | FASTENER, ENGINE COVER | 2 | |
| 14 | 61626-97L00 | NUT, FASTENER LEVER | 2 | |
| 15 | 61640-91J10 | LEVER, FASTENER | 2 | |
| 16 | 09106-05035 | BOLT (5X14) | 2 | |
| 17 | 21131-96010 | MARK, CLUTCH SHIFT | 1 | |
| 18 | 61211-97L10 | MARK, FUEL COCK | 1 | |

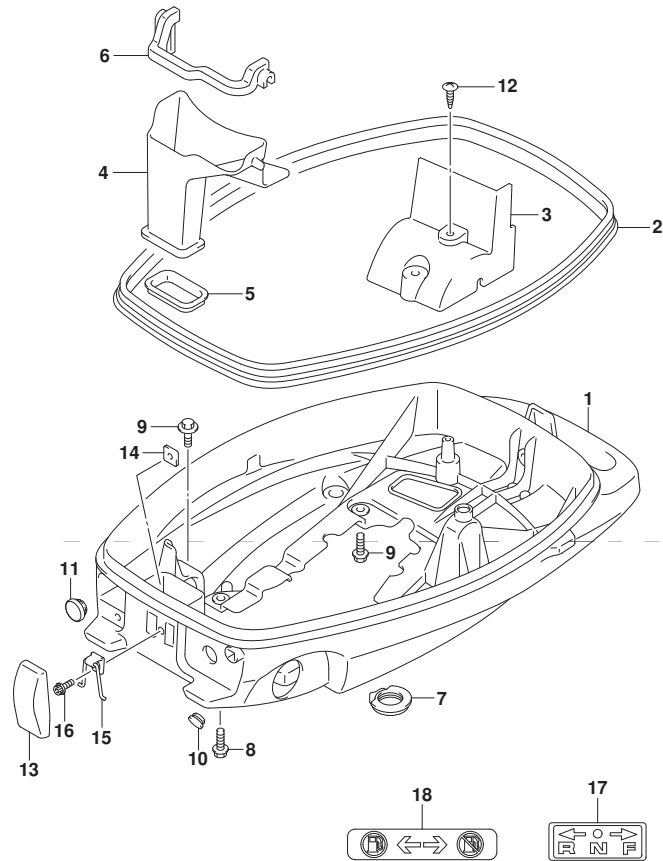


FIG.412B

FIG.412B (1-C-10) LOWER COVER (DF5A P01)

| REF NO. | PART NO. | DESCRIPTION | Q'TY | REMARKS |
|---------|-----------------|------------------------------|------|---------|
| 1 | 61110-97L00-QGF | COVER, ENGINE LOWER (BLACK) | 1 | |
| 2 | 61112-97L00 | RUBBER, ENGINE LOWER COVER | 1 | |
| 3 | 61117-97L00 | COVER, AIR INTAKE LOWER | 1 | |
| 4 | 61133-97L00 | DUCT, AIR VENT | 1 | |
| 5 | 61135-97L00 | CUSHION, AIR VENT DUCT LOWER | 1 | |
| 6 | 61137-97L00 | CUSHION, AIR VENT DUCT UPPER | 1 | |
| 7 | 61189-97L00 | GROMMET, OIL DRAIN | 1 | |
| 8 | 09116-06227 | BOLT (6X20) | 2 | |
| 9 | 09116-06509 | BOLT (6X20) | 4 | |
| 10 | 09250-10010 | CAP (OD:15) | 1 | |
| 11 | 03542-05169 | SCREW | 1 | |
| 12 | 61611-91J11 | FASTENER, ENGINE COVER | 2 | |
| 13 | 61626-97L00 | NUT, FASTENER LEVER | 2 | |
| 14 | 61640-91J10 | LEVER, FASTENER | 2 | |
| 15 | 09106-05035 | BOLT (5X14) | 2 | |
| 16 | 65720-986L0 | PLUG, FUEL CONNECTOR | 1 | |
| 17 | 65727-91JL0 | CAP, FUEL CONNECTOR PLUG | 1 | |
| 18 | 09103-06237 | BOLT (6X12.5) | 1 | |
| 19 | 09160-06085 | WASHER (6.5X15X1) | 1 | |
| 20 | 21131-96010 | MARK, CLUTCH SHIFT | 1 | |
| 21 | 61211-97L00 | MARK, FUEL COCK | 1 | |

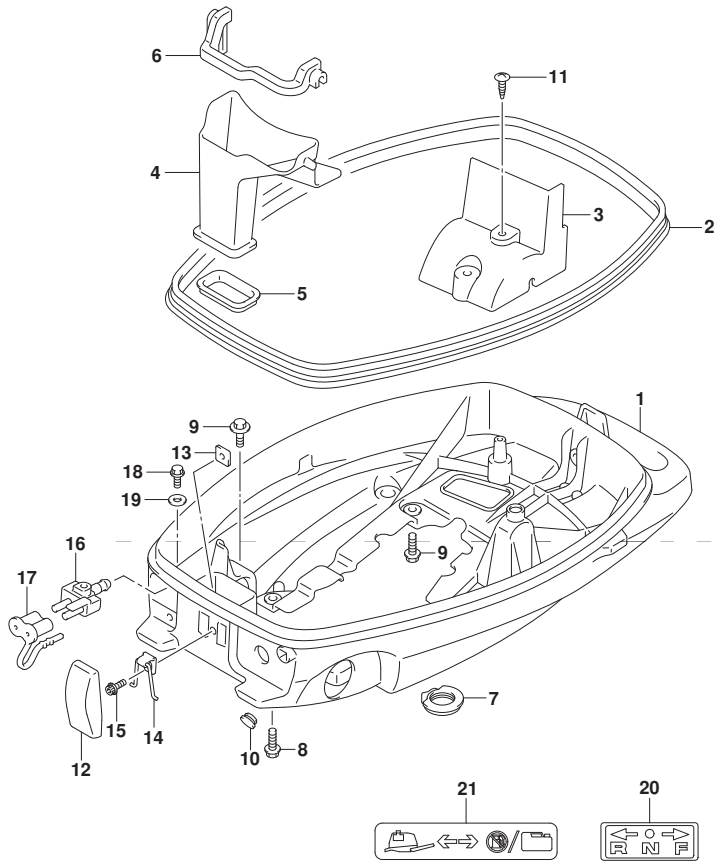


FIG.412C

FIG.412C (1-C-11) LOWER COVER (DF6A P01)

| REF NO. | PART NO. | DESCRIPTION | Q'TY | REMARKS |
|---------|-----------------|------------------------------|------|---------|
| 1 | 61110-97L00-QGF | COVER, ENGINE LOWER (BLACK) | 1 | |
| 2 | 61112-97L00 | RUBBER, ENGINE LOWER COVER | 1 | |
| 3 | 61117-97L00 | COVER, AIR INTAKE LOWER | 1 | |
| 4 | 61133-97L00 | DUCT, AIR VENT | 1 | |
| 5 | 61135-97L00 | CUSHION, AIR VENT DUCT LOWER | 1 | |
| 6 | 61137-97L00 | CUSHION, AIR VENT DUCT UPPER | 1 | |
| 7 | 61189-97L00 | GROMMET, OIL DRAIN | 1 | |
| 8 | 09116-06227 | BOLT (6X20) | 2 | |
| 9 | 09116-06509 | BOLT (6X20) | 4 | |
| 10 | 09250-10010 | CAP (OD:15) | 1 | |
| 11 | 03542-05169 | SCREW | 1 | |
| 12 | 61611-91J11 | FASTENER, ENGINE COVER | 2 | |
| 13 | 61626-97L00 | NUT, FASTENER LEVER | 2 | |
| 14 | 61640-91J10 | LEVER, FASTENER | 2 | |
| 15 | 09106-05035 | BOLT (5X14) | 2 | |
| 16 | 65720-986L0 | PLUG, FUEL CONNECTOR | 1 | |
| 17 | 65727-91JL0 | CAP, FUEL CONNECTOR PLUG | 1 | |
| 18 | 09103-06237 | BOLT (6X12.5) | 1 | |
| 19 | 09160-06085 | WASHER (6.5X15X1) | 1 | |
| 20 | 21131-96010 | MARK, CLUTCH SHIFT | 1 | |
| 21 | 61211-97L00 | MARK, FUEL COCK | 1 | |

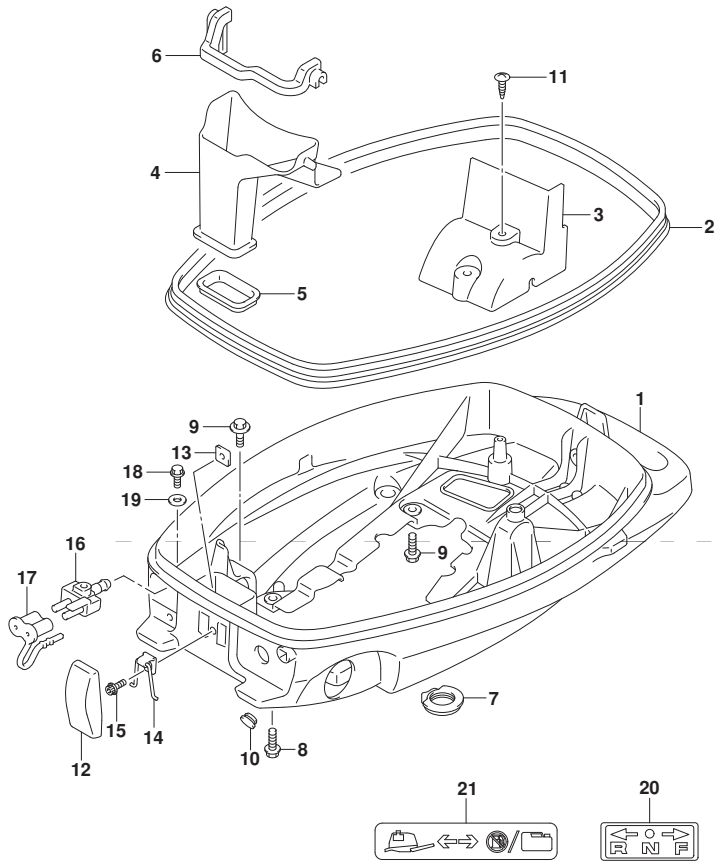


FIG.420A

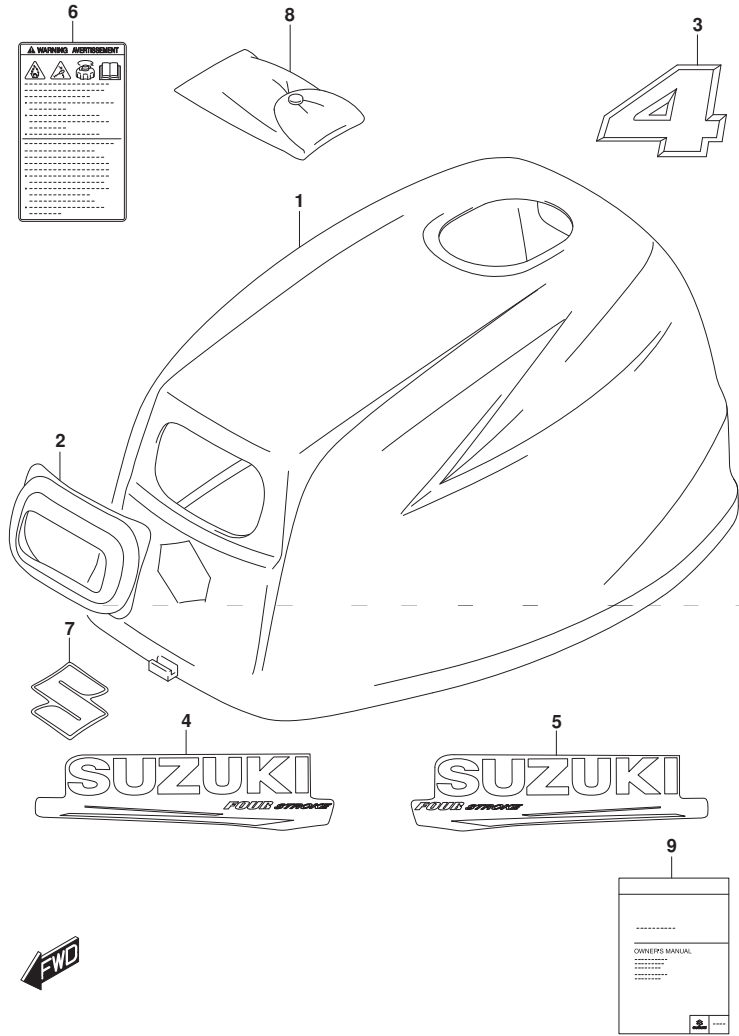


FIG.420A (1-C-12) ENGINE COVER (DF4A P01)

| REF NO. | PART NO. | DESCRIPTION | Q'TY | REMARKS |
|---------|-----------------|-----------------------------|------|---------|
| 1 | 61411-97L00-QGF | COVER, ENGINE UPPER (BLACK) | 1 | |
| 2 | 61622-97L00 | SEAL, RECOIL STARTER | 1 | |
| 3 | 61435-97L00 | MARK, EMBLEM REAR (4) | 1 | |
| 4 | 61443-97L00 | STRIPE, ENGINE COVER STBD | 1 | |
| 5 | 61453-97L00 | STRIPE, ENGINE COVER PORT | 1 | |
| 6 | 61458-97J70 | LABEL, ENGINE COVER | 1 | |
| 7 | 77811-54GB0-0PG | EMBLEM "S" (CHROME) | 1 | |
| 8 | 09800-01007 | TOOL ASSY | 1 | |
| 9 | 99011-97L00-055 | MANUAL, OWNER'S | 1 | |

FIG.420B

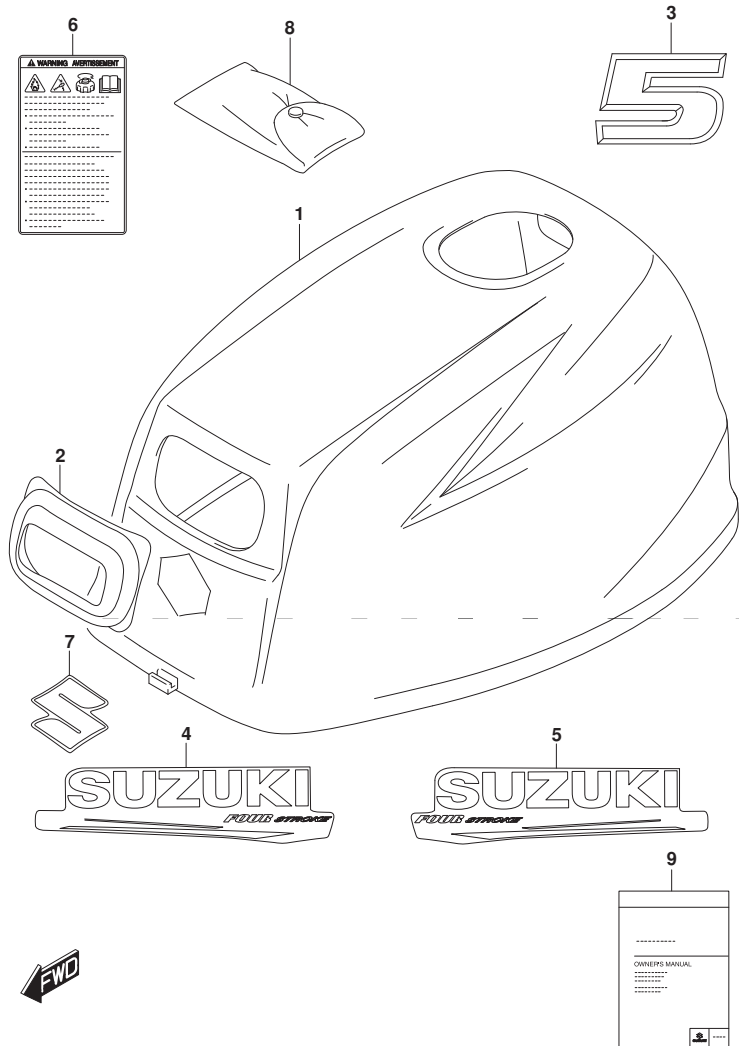


FIG.420B (1-C-13) ENGINE COVER (DF5A P01)

| REF NO. | PART NO. | DESCRIPTION | Q'TY | REMARKS |
|---------|-----------------|-----------------------------|------|---------|
| 1 | 61411-97L00-QGF | COVER, ENGINE UPPER (BLACK) | 1 | |
| 2 | 61622-97L00 | SEAL, RECOIL STARTER | 1 | |
| 3 | 61435-97L10 | MARK, EMBLEM REAR (5) | 1 | |
| 4 | 61443-97L00 | STRIPE, ENGINE COVER STBD | 1 | |
| 5 | 61453-97L00 | STRIPE, ENGINE COVER PORT | 1 | |
| 6 | 61458-97J70 | LABEL, ENGINE COVER | 1 | |
| 7 | 77811-54GB0-0PG | EMBLEM "S" (CHROME) | 1 | |
| 8 | 09800-01007 | TOOL ASSY | 1 | |
| 9 | 99011-97L00-055 | MANUAL, OWNER'S | 1 | |

FIG.420C

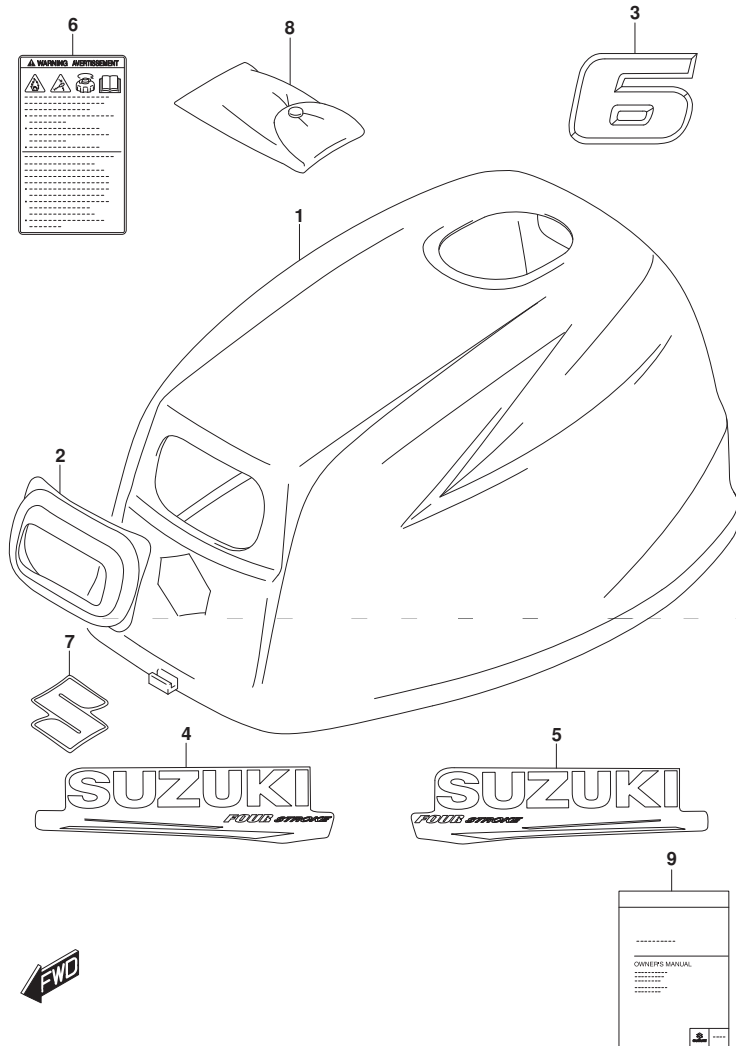


FIG.420C (1-C-14) ENGINE COVER (DF6A P01)

| REF NO. | PART NO. | DESCRIPTION | Q'TY | REMARKS |
|---------|-----------------|-----------------------------|------|---------|
| 1 | 61411-97L00-QGF | COVER, ENGINE UPPER (BLACK) | 1 | |
| 2 | 61622-97L00 | SEAL, RECOIL STARTER | 1 | |
| 3 | 61435-97L20 | MARK, EMBLEM REAR (6) | 1 | |
| 4 | 61443-97L00 | STRIPE, ENGINE COVER STBD | 1 | |
| 5 | 61453-97L00 | STRIPE, ENGINE COVER PORT | 1 | |
| 6 | 61458-97J70 | LABEL, ENGINE COVER | 1 | |
| 7 | 77811-54GB0-0PG | EMBLEM "S" (CHROME) | 1 | |
| 8 | 09800-01007 | TOOL ASSY | 1 | |
| 9 | 99011-97L00-055 | MANUAL, OWNER'S | 1 | |

FIG.432A

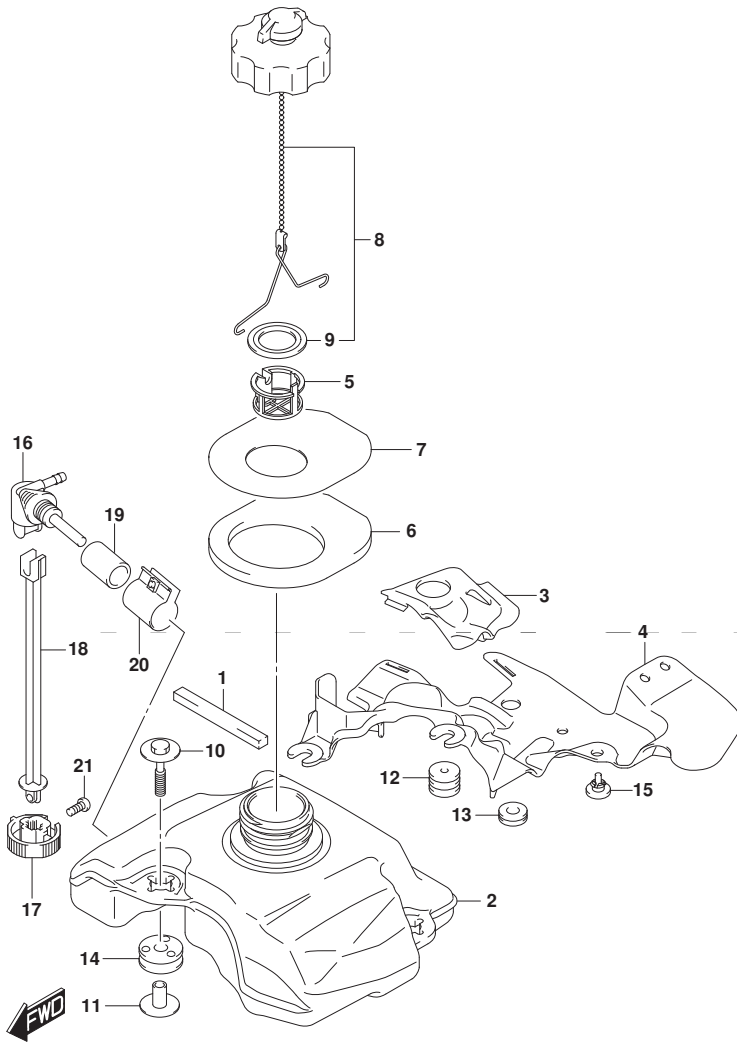


FIG.432A (1-C-15) FUEL TANK

| REF NO. | PART NO. | DESCRIPTION | Q'TY | REMARKS |
|---------|-------------|---------------------------|------|---------|
| 1 | 61416-97L00 | GUARD, FUEL TANK | 1 | |
| 2 | 65110-97L10 | TANK, FUEL | 1 | |
| 3 | 65112-97L00 | COVER, FUEL TANK PLATE | 1 | |
| 4 | 65113-97L00 | PLATE, FUEL TANK | 1 | |
| 5 | 65136-97L00 | FILTER, FUEL TANK INLET | 1 | |
| 6 | 65281-97L00 | GROMMET, FUEL TANK | 1 | |
| 7 | 65284-97L00 | RUBBER, FUEL TANK GROMMET | 1 | |
| 8 | 65510-97L00 | CAP ASSY, FUEL TANK | 1 | |
| 9 | 65561-91J01 | .GASKET, TANK CAP | 1 | |
| 10 | 09116-06512 | BOLT (6X35) | 3 | |
| 11 | 09169-06092 | WASHER | 3 | |
| 12 | 09320-05019 | CUSHION | 2 | |
| 13 | 09320-08051 | CUSHION | 1 | |
| 14 | 09320-09507 | CUSHION | 3 | |
| 15 | 09321-08022 | CUSHION | 1 | |
| 16 | 66100-97L00 | COCK ASSY, FUEL | 1 | |
| 17 | 66121-97L00 | LEVER, FUEL COCK | 1 | |
| 18 | 66122-97L00 | SHAFT, FUEL COCK | 1 | |
| 19 | 66142-97L00 | PIPE, JOINT | 1 | |
| 20 | 66160-97L00 | CLAMP ASSY, JOINT PIPE | 1 | |
| 21 | 09125-05050 | SCREW (5X8) | 1 | |

FIG.444A

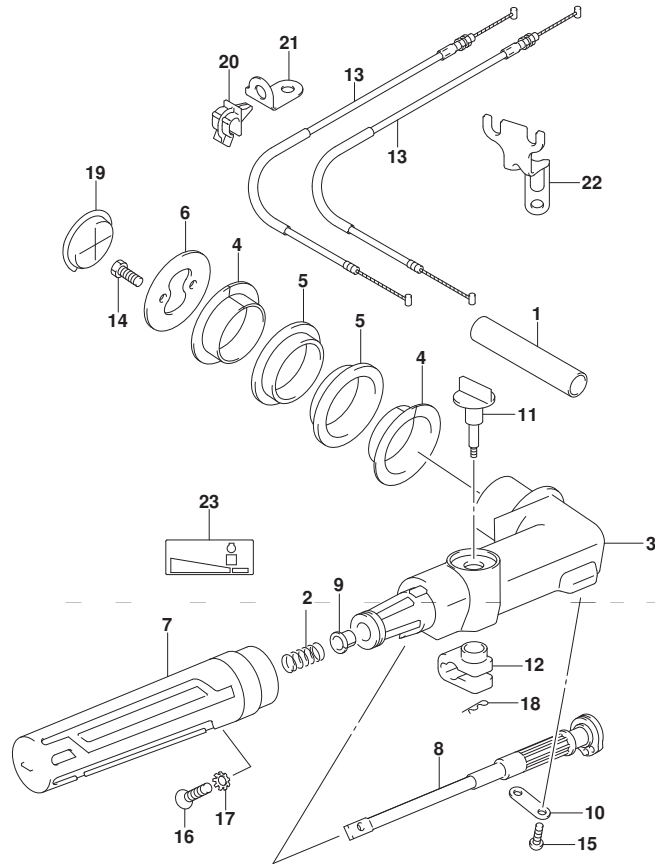


FIG.444A (1-D-2) TILLER HANDLE

| REF NO. | PART NO. | DESCRIPTION | Q'TY | REMARKS |
|---------|-----------------|-------------------------------|------|---------|
| 1 | 33833-97L50 | PROTECTOR, THROTTLE CABLE | 1 | |
| 2 | 09440-12027 | SPRING | 1 | |
| 3 | 63111-97L00-YAY | HANDLE, TILLER (BLACK) | 1 | |
| 4 | 63115-97L00 | BUSH, TILLER HANDLE | 2 | |
| 5 | 63116-97L00 | MOUNT, TILLER HANDLE | 2 | |
| 6 | 63125-97L00 | STOPPER, TILLER HANDLE | 1 | |
| 7 | 63210-94L01 | GRIP, HANDLE | 1 | |
| 8 | 63220-97L00 | ROD, HANDLE | 1 | |
| 9 | 63225-93200 | BUSH, HANDLE ROD | 1 | |
| 10 | 63228-97L00 | HOLDER, HANDLE ROD | 1 | |
| 11 | 63240-95L00 | KNOB, THROTTLE ADJ | 1 | |
| 12 | 63241-95L01 | ADJUSTER, HANDLE GRIP | 1 | |
| 13 | 63610-97L00 | CABLE ASSY, THROTTLE | 2 | |
| 14 | 09116-06225 | BOLT (6X15) | 2 | |
| 15 | 09125-05046 | SCREW (5X12) | 2 | |
| 16 | 09126-06026 | SCREW (6X23) | 1 | |
| 17 | 09163-06001 | LOCK WASHER | 1 | |
| 18 | 09385-04004 | CLIP | 1 | |
| 19 | 09250-35006 | CAP | 1 | |
| 20 | 09403-05312 | CLAMP | 2 | |
| 21 | 63615-97L00 | BRACKET, THROTTLE CABLE CLAMP | 1 | |
| 22 | 19184-97L00 | BRACKET, THROTTLE CABLE | 1 | |
| 23 | 69714-97L00 | MARK, HANDLE GRIP | 1 | |

FIG.508A

FIG.508A (1-D-3) OPT:REMOTE CONTROL

| REF NO. | PART NO. | DESCRIPTION | Q'TY | REMARKS |
|---------|-------------|--------------------------------|------|---------|
| 1 | 67200-91J20 | REMOTE CONTROL ASSY | 1 | |
| 2 | 36628-92E00 | .GROMMET, WIRE HARNESS | 1 | |
| 3 | 37830-95D03 | .SWITCH ASSY, EMERGENCY & STOP | 1 | |
| 4 | 37823-92E01 | .PLATE, LOCK | 1 | |
| 5 | 67212-95600 | .WASHER | 1 | |
| 6 | 67220-95630 | .PLATE ASSY | 1 | |
| 7 | 67223-99E10 | .KNOB, BRAKE ADJUST | 1 | |
| 8 | 67229-95600 | .ROLLER | 1 | |
| 9 | 67232-95600 | .BUSH | 1 | |
| 10 | 67238-87D00 | .GEAR, DRIVE | 1 | |
| 11 | 67241-99E10 | .LEVER, FREE THROTTLE | 1 | |
| 12 | 67243-95600 | .BUSH | 1 | |
| 13 | 67244-95600 | .WAVE WASHER | 1 | |
| 14 | 67245-95600 | .DRUM, FREE THROTTLE | 1 | |
| 15 | 67251-99E20 | .LEVER, HANDLE | 1 | |
| 16 | 67252-95600 | .BUSH | 2 | |
| 17 | 67253-95600 | .WASHER | 1 | |
| 18 | 67255-99E10 | .ARM, LOCK | 1 | |
| 19 | 67256-95600 | .HOLDER, NEUTRAL LOCK | 1 | |
| 20 | 67257-99E10 | .CAP, LEVER | 1 | |
| 21 | 67258-99E00 | .BRACKET | 1 | |
| 22 | 67259-87D00 | .SPRING, NEUTRAL ARM | 1 | |
| 23 | 67261-99E10 | .GRIP | 1 | |
| 24 | 67296-94310 | .SCREW | 1 | |
| 25 | 67264-95600 | .WASHER | 1 | |
| 26 | 67267-93J00 | .COVER, WIRE | 1 | |
| 27 | 67273-95600 | .SPACER | 1 | |
| 28 | 67275-95600 | .END, CABLE | 2 | |
| 29 | 37864-94J10 | .CAP, PTT SWITCH | 1 | |
| 30 | 67292-94300 | .E RING | 3 | |
| 31 | 67294-95600 | .SPACER | 3 | |
| 32 | 67296-90J00 | .SCREW, REAR COVER | 5 | |
| 33 | 67296-94300 | .SCREW | 2 | |
| 34 | 67296-95600 | .SCREW | 3 | |

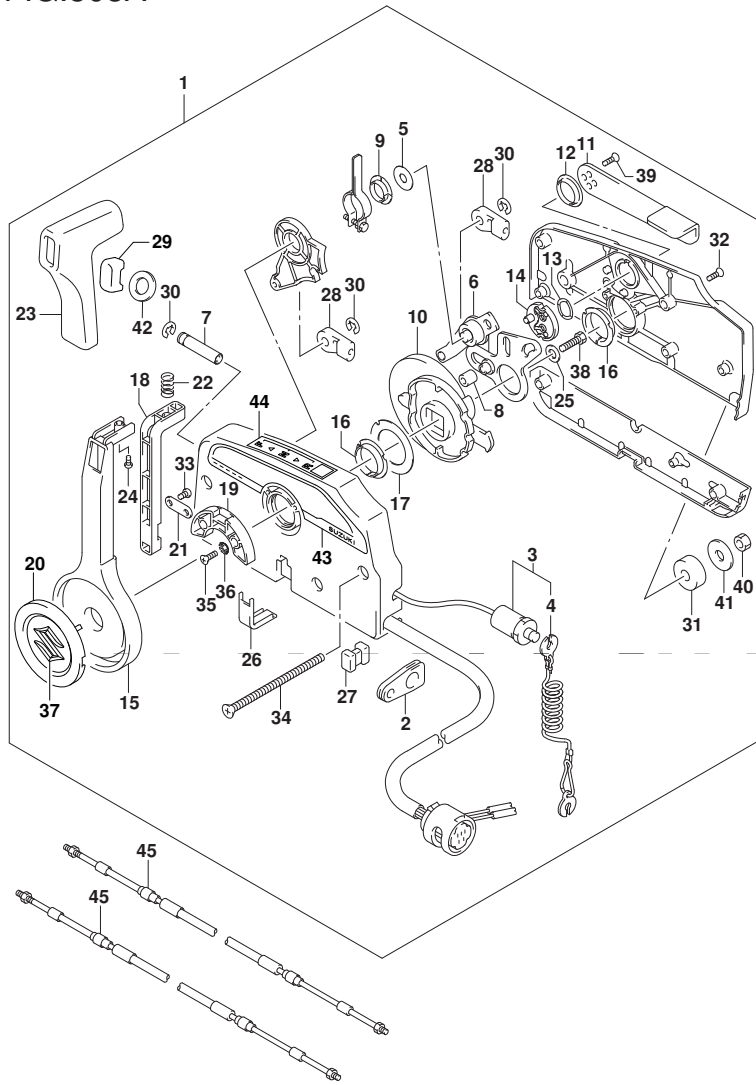


FIG.508A

FIG.508A (1-D-4) OPT:REMOTE CONTROL

| REF NO. | PART NO. | DESCRIPTION | Q'TY | REMARKS |
|---------|-----------------|--------------------------------|------|---------|
| 35 | 67296-95610 | .SCREW | 2 | |
| 36 | 67297-95600 | .WASHER | 2 | |
| 37 | 77811-54GB0-0PG | .EMBLEM, REAR MARK S (CHROME) | 1 | |
| 38 | 09100-08232 | .BOLT (8X30) | 1 | |
| 39 | 09126-05003 | .SCREW (5X12) | 2 | |
| 40 | 09140-06020 | .NUT | 3 | |
| 41 | 09160-06104 | .WASHER (6.5X24X2) | 3 | |
| 42 | 37859-90J00 | .SPACER | 1 | |
| 43 | 67282-94L00 | .DECAL, REMOCON SIDE | 1 | |
| 44 | 67284-94L00 | .MARK, HANDLE LEVER | 1 | |
| 45-1 | 67320-93J00 | CABLE ASSY, REMOCON 8F (2.4M) | 2 | |
| 45-2 | 67320-93J10 | CABLE ASSY, REMOCON 10F (3.1M) | 2 | |
| 45-3 | 67320-93J20 | CABLE ASSY, REMOCON 12F (3.7M) | 2 | |
| 45-4 | 67320-93J30 | CABLE ASSY, REMOCON 14F (4.3M) | 2 | |
| 45-5 | 67320-93J40 | CABLE ASSY, REMOCON 16F (4.9M) | 2 | |

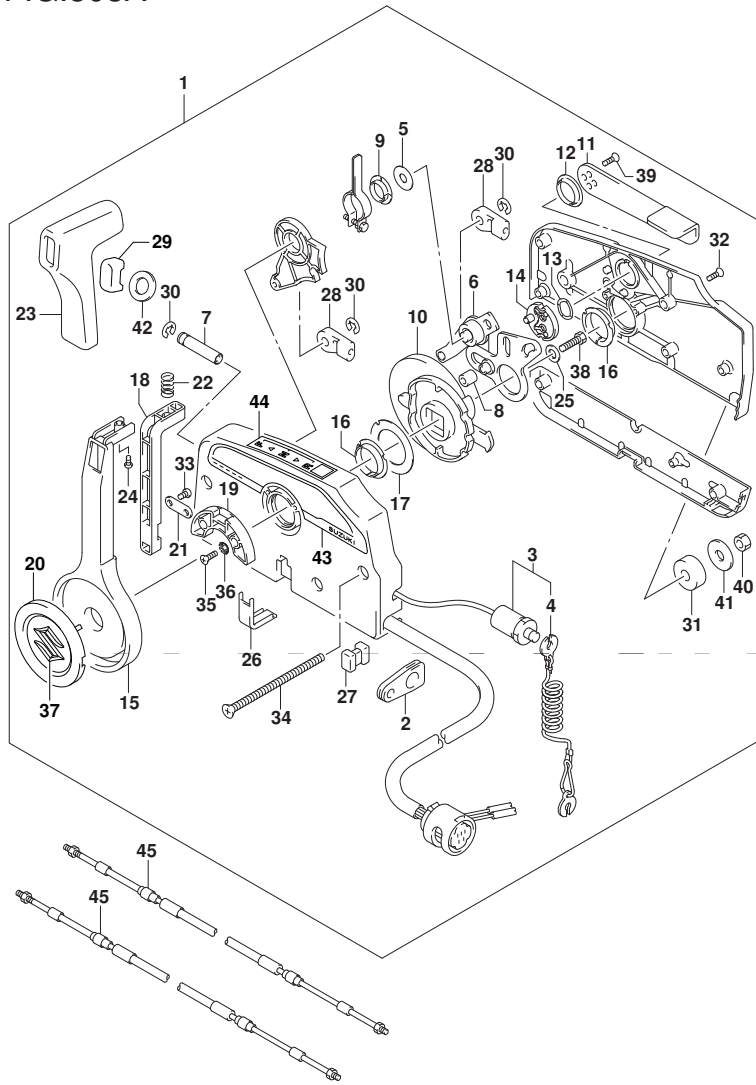


FIG.514A

FIG.514A (1-D-5) OPT:REMOCON PARTS SET

| REF NO. | PART NO. | DESCRIPTION | Q'TY | REMARKS |
|---------|-------------|--------------------------------|------|---------|
| 1 | 67101-97L00 | PARTS SET, R/CON | 1 | |
| 2 | 29141-93J00 | .NUT R/CON THROTTLE CABLE BOLT | 1 | |
| 3 | 63610-97L10 | .CABLE ASSY, THROTTLE R/CON | 2 | |
| 4 | 67110-97L00 | ATTACHMENT, R/CON NO.2 | 1 | |
| 5 | 67112-97L00 | ATTACHMENT, R/CON NO.1 | 1 | |
| 6 | 67412-97L00 | LEVER, R/CON THROTTLE | 1 | |
| 7 | 67415-97L00 | .DRUM, R/CON THROTTLE LEVER | 1 | |
| 8 | 67416-91J00 | .BOLT, REMOCON THROTTLE LEVER | 1 | |
| 9 | 67447-91J10 | .BOLT, REMOCON THROTTLE CABLE | 1 | |
| 10 | 67447-97L00 | .PIN, R/CON CLUTCH CABLE | 1 | |
| 11 | 67448-91J00 | .STOPPER, REMOCON CABLE PIN | 2 | |
| 12 | 09204-01002 | .COTTER PIN | 1 | |
| 13 | 67449-97L00 | .BOLT, R/CON ATTACHMENT STUD | 2 | |
| 14 | 67460-97L00 | .BRACKET, R/CON THROT LEVER | 1 | |
| 15 | 67466-95200 | .CONNECTOR, CABLE (THROT) | 1 | |
| 16 | 67467-93E01 | .CONNECTOR, CABLE (CLUTCH) | 1 | |
| 17 | 09116-06232 | .BOLT (6X30) | 1 | |
| 18 | 09116-06229 | .BOLT (6X25) | 1 | |
| 19 | 09159-06079 | .NUT | 1 | |
| 20 | 09159-08059 | .NUT | 2 | |
| 21 | 09160-06082 | .WASHER (6.5X13X1.0) | 1 | |
| 22 | 09160-06104 | .WASHER (6.5X24X2) | 1 | |
| 23 | 09160-08145 | .WASHER (8X14X1.5) | 2 | |
| 24 | 09164-08017 | .WASHER | 1 | |
| 25 | 09180-06097 | .SPACER (6.1X9X12.3) | 1 | |
| 26 | 09306-08002 | .BUSH | 2 | |
| 27 | 09320-11017 | .CUSHION | 1 | |
| 28 | 09403-07340 | .CLAMP | 1 | |
| 29 | 36991-94L00 | .CLAMP, STOP SWITCH LEAD | 1 | |
| 30 | 09407-14407 | .CLAMP (L:145) | 2 | |
| 31 | 36831-97L00 | .LEAD, STOP SWITCH | 1 | |
| 32 | 09407-11401 | .CLAMP (L:95) | 2 | |

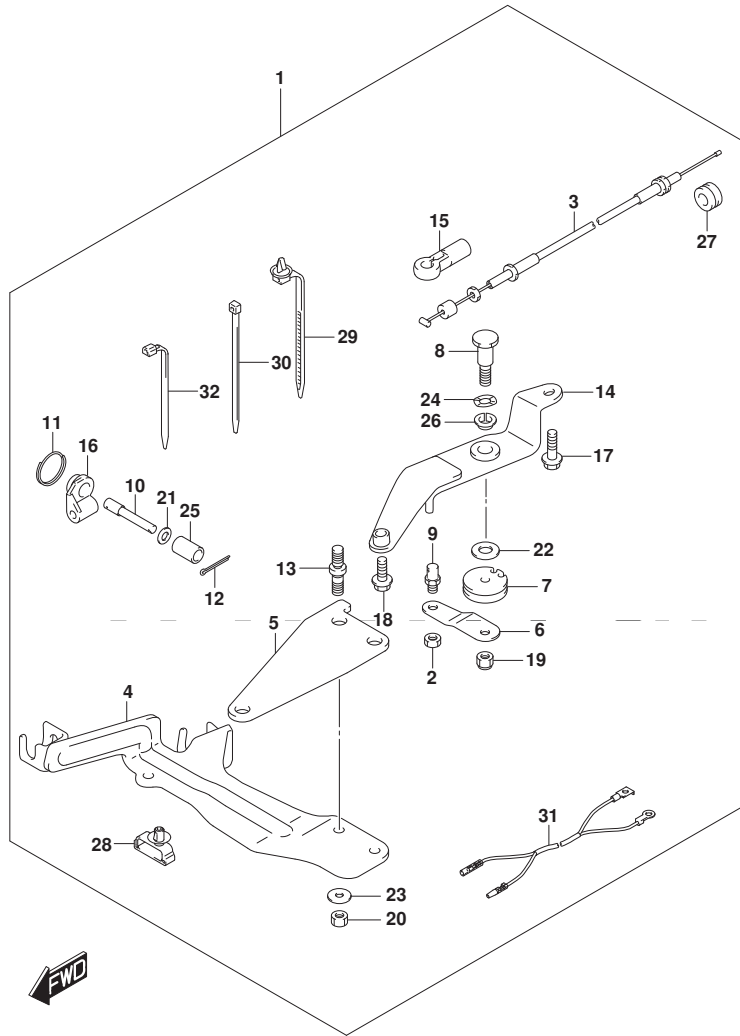


FIG.550A

FIG.550A (1-D-6) OPT:ELECTRICAL

| REF NO. | PART NO. | DESCRIPTION | Q'TY | REMARKS |
|---------|-------------|------------------------------|------|---------|
| 1 | 32000-97L00 | KIT, BATTERY CHARGING | 1 | |
| 2 | 32801-97L00 | ..RECTIFIER SET | 1 | |
| 3 | 32800-94J11 | ..RECTIFIER / REGULATOR ASSY | 1 | |
| 4 | 36740-95253 | ..CASE ASSY, FUSE | 1 | |
| 5 | 09481-20001 | ...FUSE (20A) | 1 | |
| 6 | 37132-93700 | ..TERMINAL, LEAD WIRE | 1 | |
| 7 | 01550-06207 | ..BOLT | 2 | |
| 8 | 08310-00067 | ..NUT | 2 | |
| 9 | 37801-98300 | ..LEAD, STOP SWITCH | 1 | |
| 10 | 39600-97L00 | ..COIL SET, RECEPTACLE | 1 | |
| 11 | 32102-97L10 | ..FLYWHEEL, MAGNETO | 1 | |
| 12 | 32120-97L00 | ..COIL, LIGHTING | 1 | |
| 13 | 32916-92L00 | ..COVER, CONNECTOR | 1 | |
| 14 | 39601-95D00 | ..RECEPTACLE, LIGHTING | 1 | |
| 15 | 36634-93910 | ...CAP, LIGHTING RECEPTACLE | 1 | |
| 16 | 39602-93900 | ..PLUG, LIGHTING | 1 | |
| 17 | 09320-06016 | ..CUSHION | 1 | |
| 18 | 29404-93J20 | ..CLAMP | 1 | |
| 19 | 09407-14407 | ..CLAMP (L:145) | 3 | |
| 20 | 01547-06257 | ..BOLT | 4 | |
| 21 | 01550-06127 | ..BOLT | 1 | |
| 22 | 32815-97L00 | ..BRACKET, RECTIFIER | 1 | |
| 23 | 36991-94L00 | ..CLAMP, HARNESS | 1 | |
| 24 | 01550-06167 | ..BOLT | 2 | |
| 25 | 36990-87D00 | TERMINAL | 1 | |

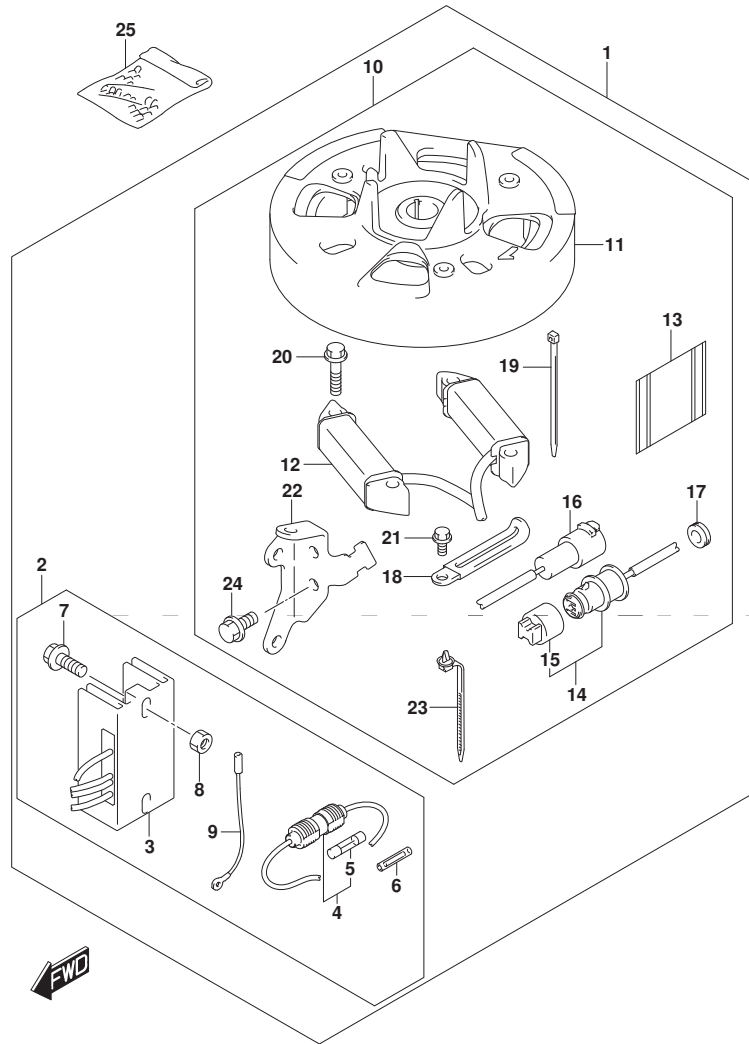


FIG.583A

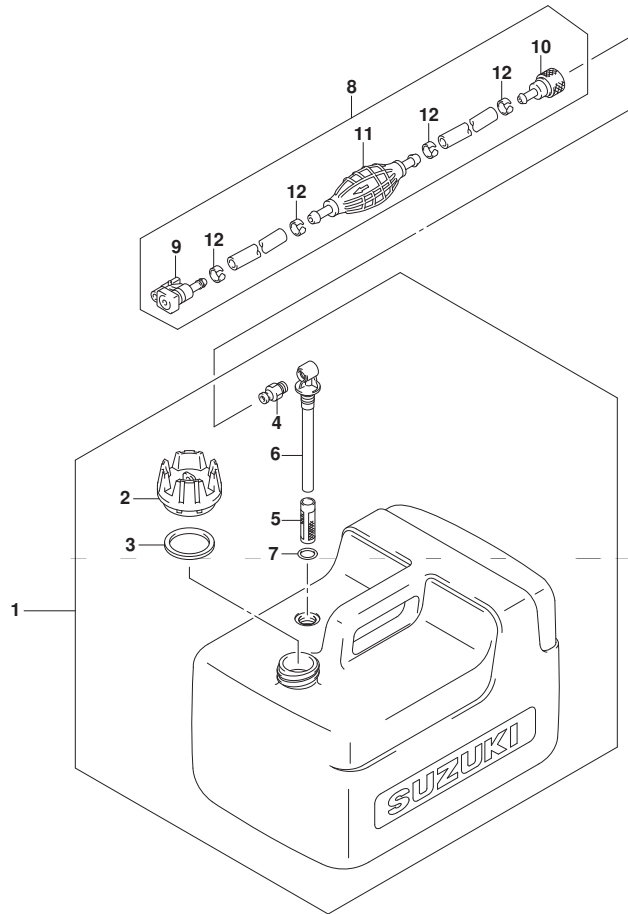


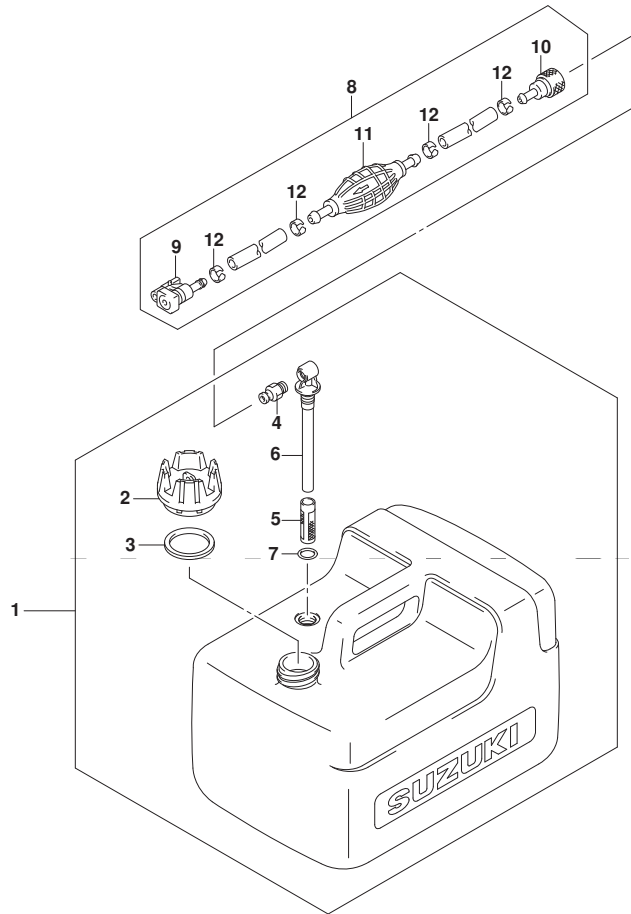
FIG.583A (1-D-7) OPT:FUEL TANK (DF5A P01)

| REF NO. | PART NO. | DESCRIPTION | Q'TY | REMARKS |
|---------|-------------|-----------------------|------|---------|
| 1 | 65000-99100 | TANK ASSY, FUEL (12L) | 1 | |
| 2 | 65520-99100 | .CAP, FUEL TANK | 1 | |
| 3 | 65561-95D00 | .GASKET | 1 | |
| 4 | 65740-99100 | .PLUG, FUEL CONNECTOR | 1 | |
| 5 | 65831-95D00 | .FILTER OUTLET | 1 | |
| 6 | 65890-99100 | .OUTLET ASSY | 1 | |
| 7 | 65892-95D00 | .O RING | 1 | |
| 8 | 65700-94JD1 | HOSE, FUEL | 1 | |
| 9 | 65750-87JL0 | .SOCKET, FUEL HOSE | 1 | |
| 10 | 65750-98505 | .SOCKET, FUEL HOSE | 1 | |
| 11 | 65770-99J01 | .PUMP, SQUEEZE | 1 | |
| 12 | 65781-98500 | .CLIP, FUEL HOSE | 4 | |

FIG.583B

FIG.583B (1-D-8) OPT:FUEL TANK (DF6A P01)

| REF NO. | PART NO. | DESCRIPTION | Q'TY | REMARKS |
|---------|-------------|-----------------------|------|---------|
| 1 | 65000-99100 | TANK ASSY, FUEL (12L) | 1 | |
| 2 | 65520-99100 | .CAP, FUEL TANK | 1 | |
| 3 | 65561-95D00 | .GASKET | 1 | |
| 4 | 65740-99100 | .PLUG, FUEL CONNECTOR | 1 | |
| 5 | 65831-95D00 | .FILTER OUTLET | 1 | |
| 6 | 65890-99100 | .OUTLET ASSY | 1 | |
| 7 | 65892-95D00 | .O RING | 1 | |
| 8 | 65700-94JD1 | HOSE, FUEL | 1 | |
| 9 | 65750-87JL0 | .SOCKET, FUEL HOSE | 1 | |
| 10 | 65750-98505 | .SOCKET, FUEL HOSE | 1 | |
| 11 | 65770-99J01 | .PUMP, SQUEEZE | 1 | |
| 12 | 65781-98500 | .CLIP, FUEL HOSE | 4 | |



| PART NO. | FIG.NO.-REF.NO. | PART NO. | FIG.NO.-REF.NO. | PART NO. | FIG.NO.-REF.NO. |
|-----------------|-----------------|-------------|-----------------|-------------|-----------------|
| 10000 | | 13200-97L00 | 128C-24 | | 128B-25 |
| | | 13200-97L10 | 128A-1 | 13436-91J00 | 128C-25 |
| | | 13200-97L20 | 128B-1 | | 128A-26 |
| | | 13236-97L00 | 128C-1 | | 128B-26 |
| | 11110-97L00 | 111A-1 | 13236-97L10 | 128A-2 | 128C-26 |
| | 11115-93E00-001 | 111A-2 | 13236-97L20 | 128B-2 | 13534-97J10 |
| | 11117-91JL0 | 111A-5 | 13245-97J00 | 128C-2 | 128A-22 |
| | 11141-97L00 | 111A-3 | | 128B-22 | 128B-22 |
| | 11170-97L00 | 111A-8 | | 128C-22 | 128C-22 |
| | 11173-97L00 | 113A-16 | 13247-97J00 | 128B-9 | 13616-97J00 |
| | 11174-97L00 | 122A-5 | | 128A-13 | |
| | 11177-97L00 | 113A-17 | | 128B-13 | |
| | 11179-97L00 | 113A-18 | 13248-97J00 | 128C-9 | |
| | 11186-97L00 | 113A-19 | | 128A-11 | |
| | 11189-97L00 | 111A-9 | | 128B-11 | 13631-97L00 |
| | 11200-97L00 | 113A-1 | 13249-97J00 | 128C-11 | |
| | 11300-97L00 | 113A-4 | | 128A-20 | |
| | 11351-97L00 | 113A-11 | | 128B-20 | 13810-97L00 |
| | 11381-91J10 | 113A-12 | 13249-97J10 | 128C-20 | 15100-91J02 |
| | 11431-97L00 | 113A-20 | | 128A-10 | 146A-1 |
| | 11452-91J00 | 113A-26 | | 128B-10 | 146C-1 |
| | 11971-97L00 | 113A-2 | 13250-97J20 | 128C-10 | 15170-91J01 |
| | 12100-97L00-050 | 116A-25 | | 128A-19 | 146B-2 |
| | 12111-89L00-0B0 | 116A-1 | | 128B-19 | 146C-2 |
| | 12140-89L20 | 116A-2 | 13251-97J00 | 128C-19 | 15191-97L00 |
| 12140-89L20-050 | 116A-26 | | 128A-5 | 146A-4 | |
| 12151-89L00 | 116A-3 | | 128B-5 | 146B-4 | |
| 12160-97L00 | 116A-5 | 13254-97J00 | 128C-5 | 146C-4 | |
| 12163-97L00 | 116A-6 | | 128A-8 | 15192-97L00 | |
| 12200-97L00 | 116A-7 | | 128B-8 | 146B-5 | |
| 12711-97L00 | 116A-9 | 13267-97J00 | 128A-6 | 146C-5 | |
| 12840-97L00 | 116A-14 | | 128C-8 | 15251-91J00 | |
| 12842-97L00 | 116A-15 | | 128A-6 | 146A-3 | |
| 12843-27A00 | 116A-16 | 13267-97J10 | 128B-6 | 146B-3 | |
| 12891-87C00 | 116A-17 | | 128C-6 | 15850-97L00 | |
| 12894-91JL0 | 116A-13 | | 128A-14 | 146B-6 | |
| 12911-91J01 | 116A-18 | 13268-97J10 | 128B-14 | 146C-6 | |
| 12915-91J01 | 116A-19 | | 128C-14 | 16131-97L00 | |
| 12921-91J00 | 116A-20 | | 128A-14 | 16132-97L00 | |
| 12931-78G00 | 116A-21 | | 128A-16 | 16152-97L00 | |
| 12932-24400 | 116A-22 | | 128B-16 | 16153-97L00 | |
| 12951-91J01 | 116A-10 | | 128C-16 | 16161-97L00 | |
| 13111-97L00 | 122A-1 | 13268-97J30 | 128A-12 | 16165-97L00 | |
| 13119-97L00 | 122A-2 | | 128B-12 | 16510-16H11 | |
| 13124-91JL0 | 128A-30 | | 128C-12 | 16512-97L00 | |
| | 128B-30 | 13371-91J20 | 128A-21 | 175A-10 | |
| | 128C-30 | | 128A-21 | 175A-5 | |
| 13125-91J10 | 128A-24 | | 128B-21 | 16524-97L00 | |
| | 128B-24 | 13413-97L00 | 128C-21 | 17110-97L00 | |
| | | | 128A-7 | 17400-986L1 | |
| | | | 128B-7 | 17410-91JL0 | |
| | | | 128C-7 | 17412-91JL0 | |
| | | | 128A-4 | 17413-91JL0 | |
| | | | 128B-4 | 17415-98501 | |
| | | | 128C-4 | 17461-985M0 | |
| | | | 128A-25 | 17471-98610 | |
| | | | | 160A-13 | |
| | | | | 160A-14 | |
| | | | | 160A-2 | |
| | | | | 160A-3 | |
| | | | | 160A-4 | |

| PART NO. | FIG.NO.-REF.NO. | PART NO. | FIG.NO.-REF.NO. | PART NO. | FIG.NO.-REF.NO. |
|-------------|-----------------|-------------|-----------------|-----------------|-----------------|
| 17472-91J00 | 160A-5 | | | | |
| 17561-97L00 | 160A-6-1 | | | | |
| 17561-97L10 | 160A-6-2 | | | | |
| 17563-97L00 | 160A-7 | | | | |
| 17564-98600 | 160A-8 | | | | |
| 17670-91J00 | 111A-12 | 32000-97L00 | 550A-1 | 41111-97L00-YAY | 335A-1 |
| 17680-97L00 | 111A-15 | 32102-97L00 | 303A-1 | 41121-97L00-YAY | 335A-2 |
| 18100-97L00 | 167A-1 | 32102-97L10 | 550A-11 | 41211-97L00 | 335A-3 |
| 18121-97L00 | 167A-2 | 32120-97L00 | 550A-12 | 41212-91J00 | 335A-4 |
| 18130-97L00 | 167A-3 | 32800-94J11 | 550A-3 | 41213-94J01 | 335A-5 |
| 18142-97L00 | 167A-4 | 32801-97L00 | 550A-2 | 43111-97L00-YAY | 336A-2 |
| 18178-98310 | 167A-5 | 32815-97L00 | 550A-22 | 43121-97L00-YAY | 336A-3 |
| 18210-95L00 | 167A-6 | 32916-92L00 | 550A-13 | 43211-97L00 | 336A-4 |
| 18280-91J00 | 167A-7 | 33410-97L00 | 303A-2 | 43410-91J21 | 336A-14 |
| 18290-97L00 | 167A-9 | 33510-07H00 | 303A-6 | 43417-97L00 | 336A-20 |
| 19184-97L00 | 444A-22 | 33541-16H00 | 303A-7 | 43430-97L00 | 336A-13 |
| | | 33542-07H00 | 303A-8 | 43711-97L00 | 336A-5 |
| | | 33833-97L00 | 146B-7 | 43751-97L00-YAY | 336A-6 |
| | | | 146C-7 | 43752-97L00-YAY | 336A-7 |
| | | 33833-97L10 | 146B-8 | 44330-13H00 | 146A-7 |
| | | | 146C-8 | | 146B-10 |
| | | | 146B-9 | | 146C-10 |
| | | | 146C-9 | 45211-97L00 | 336A-9 |
| | | | 146A-6 | 45212-97L00 | 336A-10 |
| | | | 33833-97L40 | 45230-97L00 | 336A-11 |
| | | | 33833-97L50 | 444A-1 | 45247-99J00 |
| | | | 444A-1 | 45247-99J00 | 336A-15 |
| | | | 508A-2 | 45420-97L00 | 335A-14 |
| | | | 36634-93910 | 45710-97L00 | 336A-16 |
| | | | 412B-20 | 45717-97L00 | 335A-16 |
| | | | 412C-20 | 45733-97L00 | 336A-17 |
| | | | 36990-87D00 | 45751-97L00 | 336A-18 |
| | | | 303A-13 | | |
| | | | 36991-94L00 | | |
| | | | 514A-29 | | |
| | | | 514A-29 | | |
| | | | 550A-23 | | |
| | | | 550A-6 | | |
| | | | 37132-93700 | | |
| | | | 37801-98300 | | |
| | | | 37823-92E01 | | |
| | | | 37823-97J00 | | |
| | | | 37826-97J00 | | |
| | | | 37830-95D03 | | |
| | | | 303A-9 | 52110-97L00-YAY | 405A-1 |
| | | | 37830-97L00 | 52113-97L00 | 405A-3 |
| | | | 210A-2 | 52115-98600 | 405A-4 |
| | | | 210A-2 | 52117-97L00 | 405A-14 |
| | | | 160A-20 | 52131-91J20-YAY | 405A-9 |
| | | | 210A-3 | 54132-97L00 | 405A-12 |
| | | | 210A-4 | 54162-97L00 | 405A-13 |
| | | | 39600-97L00 | 55110-97L00-YAY | 407A-1 |
| | | | 39601-95D00 | 55181-95200 | 405A-15 |
| | | | 550A-14 | 55321-87J01 | 407A-4 |
| | | | 550A-16 | | |
| | | | 514A-2 | | |
| | | | 550A-18 | | |
| 29404-93J20 | | | | | |

| PART NO. | FIG.NO.-REF.NO. | PART NO. | FIG.NO.-REF.NO. | PART NO. | FIG.NO.-REF.NO. | PART NO. | FIG.NO.-REF.NO. | PART NO. | FIG.NO.-REF.NO. | PART NO. | FIG.NO.-REF.NO. | PART NO. | FIG.NO.-REF.NO. | PART NO. | FIG.NO.-REF.NO. | PART NO. | FIG.NO.-REF.NO. |
|-----------------|-----------------|-----------------|-----------------|-------------|-----------------|-------------|-----------------|-----------------|-----------------|-------------|-----------------|-----------------|-----------------|----------|-----------------|----------|-----------------|
| 55321-87J11 | 407A-25 | 61137-97L00 | 412A-6 | 63610-97L10 | 514A-3 | 67229-95600 | 508A-8 | | | 06111-15004 | 113A-10 | | | | | | |
| 55321-95J00 | 111A-13 | | 412B-6 | 63615-97L00 | 444A-21 | 67232-95600 | 508A-9 | | | 08211-17251 | 116A-12 | | | | | | |
| 56120-97L00-YAY | 407A-12 | | 412C-6 | 65000-99100 | 583A-1 | 67238-87D00 | 508A-10 | | | 08211-25361 | 116A-8 | | | | | | |
| 56122-98601 | 407A-16 | 61189-97L00 | 412A-7 | | 583B-1 | 67241-99E10 | 508A-11 | | | 08310-00067 | 550A-8 | | | | | | |
| 56123-98600 | 407A-17 | | 412B-7 | 65110-97L10 | 432A-2 | 67243-95600 | 508A-12 | | | 08316-1012A | 303A-4 | | | | | | |
| 56130-91J20 | 160A-16 | | 412C-7 | 65112-97L00 | 432A-3 | 67244-95600 | 508A-13 | 77811-54GB0-0PG | 420A-7 | 08322-01067 | 303A-15 | | | | | | |
| 56132-91J00 | 160A-18 | 61211-97L00 | 412B-21 | 65113-97L00 | 432A-4 | 67245-95600 | 508A-14 | | 420B-7 | 08341-31039 | 303A-5 | | | | | | |
| 57111-91J21 | 230A-1-1 | | 412C-21 | 65136-97L00 | 432A-5 | 67251-99E20 | 508A-15 | | 420C-7 | 09100-06176 | 335A-7 | | | | | | |
| 57111-91J31 | 230A-1-2 | 61211-97L10 | 412A-18 | 65281-97L00 | 432A-6 | 67252-95600 | 508A-16 | | 508A-37 | 09100-08232 | 508A-38 | | | | | | |
| 57130-91J00 | 230A-3 | 61411-97L00-QGF | 420A-1 | 65284-97L00 | 432A-7 | 67253-95600 | 508A-17 | | | 09100-08314 | 335A-8 | | | | | | |
| 57311-91J00 | 230A-5 | | 420B-1 | 65510-97L00 | 432A-8 | 67255-99E10 | 508A-18 | | | 09103-06237 | 412B-18 | | | | | | |
| 57510-91J00 | 230A-8 | | 420C-1 | 65520-99100 | 583A-2 | 67256-95600 | 508A-19 | | | | 412C-18 | | | | | | |
| 57520-97L00 | 230A-9 | 61416-97L00 | 432A-1 | | 583B-2 | 67257-99E10 | 508A-20 | | | 09103-06281 | 407A-6 | | | | | | |
| 57611-97L00 | 230A-14 | 61435-97L00 | 420A-3 | 65561-91J01 | 432A-9 | 67258-99E00 | 508A-21 | | | 09103-06521 | 128A-28 | | | | | | |
| 57621-986L0 | 230A-15 | 61435-97L10 | 420B-3 | 65561-95D00 | 583A-3 | 67259-87D00 | 508A-22 | | | | 128B-28 | | | | | | |
| 57631-98601 | 230A-19 | 61435-97L20 | 420C-3 | | 583B-3 | 67261-99E10 | 508A-23 | | 99000-81157-50M | 167A-8 | 128C-28 | | | | | | |
| 57632-97L00 | 230A-20 | 61443-97L00 | 420A-4 | 65700-94JD1 | 583A-8 | 67264-95600 | 508A-25 | | 99011-97L00-055 | 420A-9 | 116A-11 | | | | | | |
| 57635-97L00 | 407A-23 | | 420B-4 | | 583B-8 | 67267-93J00 | 508A-26 | | | 420B-9 | 412A-16 | | | | | | |
| 58110-91JL0-019 | 407A-20-1 | | 420C-4 | 65720-986L0 | 412B-16 | 67273-95600 | 508A-27 | | | 420C-9 | 412B-15 | | | | | | |
| 58110-91JM0-019 | 407A-20-2 | 61453-97L00 | 420A-5 | | 412C-16 | 67275-95600 | 508A-28 | | | | 412C-15 | | | | | | |
| 58110-91JN0-019 | 407A-20-3 | | 420B-5 | 65727-91JL0 | 412B-17 | 67282-94L00 | 508A-43 | | | | 09108-06146 | 160A-9 | | | | | |
| 58120-91JL0 | 407A-21 | | 420C-5 | | 412C-17 | 67284-94L00 | 508A-44 | | | | 09108-08092 | 405A-10 | | | | | |
| 58130-91JL0 | 407A-22 | 61458-97J70 | 420A-6 | 65740-99100 | 583A-4 | 67292-94300 | 508A-30 | | | | 09116-06224 | 336A-12 | | | | | |
| 59171-97L00 | 230A-10-1 | | 420B-6 | | 583B-4 | 67294-95600 | 508A-31 | | | | 160A-10 | | | | | | |
| 59171-97L10 | 230A-10-2 | | 420C-6 | 65750-87JL0 | 583A-9 | 67296-90J00 | 508A-32 | | | | 407A-18 | | | | | | |
| 59171-97L20 | 230A-10-3 | 61472-97L00 | 167A-12 | | 583B-9 | 67296-94300 | 508A-33 | | 01547-0620C | 175A-8 | 444A-14 | | | | | | |
| 59178-97J00 | 407A-7 | 61494-97L00 | 167A-13 | 65750-98505 | 583A-10 | 67296-94310 | 508A-24 | | | 303A-3 | 09116-06226 | 336A-19 | | | | | |
| 59311-91J00 | 407A-2 | 61611-91J11 | 412A-13 | | 583B-10 | 67296-95600 | 508A-34 | | 01547-06257 | 550A-20 | 208A-10 | | | | | | |
| | | | 412B-12 | 65770-99J01 | 583A-11 | 67296-95610 | 508A-35 | | 01547-0625C | 122A-3 | 412A-8 | | | | | | |
| | | | 412C-12 | | 583B-11 | 67297-95600 | 508A-36 | | 01550-06127 | 550A-21 | 412B-8 | | | | | | |
| | | 61622-97L00 | 420A-2 | 65781-98500 | 583A-12 | 67320-93J00 | 508A-45-1 | | 01550-0612C | 303A-18 | 412C-8 | | | | | | |
| | | | 420B-2 | | 583B-12 | 67320-93J10 | 508A-45-2 | | 01550-06167 | 550A-24 | 09116-06229 | 160A-19 | | | | | |
| | | | 420C-2 | 65831-95D00 | 583A-5 | 67320-93J20 | 508A-45-3 | | 01550-0616C | 175A-13 | 514A-18 | | | | | | |
| | | 61626-97L00 | 412A-14 | | 583B-5 | 67320-93J30 | 508A-45-4 | | 01550-06207 | 550A-7 | 514A-17 | | | | | | |
| | | | 412B-13 | 65890-99100 | 583A-6 | 67320-93J40 | 508A-45-5 | | 01550-0620A | 175A-7 | 09116-06233 | 405A-5 | | | | | |
| | | | 412C-13 | | 583B-6 | 67412-97L00 | 514A-6 | | 01550-0620C | 111A-10 | 09116-06234 | 336A-8 | | | | | |
| 61110-97L00-QGF | 412B-1 | 61640-91J10 | 412A-15 | 65892-95D00 | 583A-7 | 67415-97L00 | 514A-7 | | | 111A-17 | 412A-9 | | | | | | |
| | 412C-1 | | 412B-14 | | 583B-7 | 67416-91J00 | 514A-8 | | | 167A-10 | 412B-9 | | | | | | |
| | 412A-2 | | 412C-14 | 66100-97L00 | 432A-16 | 67447-91J10 | 514A-9 | | 01550-0630C | 113A-14 | 412C-9 | | | | | | |
| | 412B-2 | 63111-97L00-YAY | 444A-3 | 66121-97L00 | 432A-17 | 67447-97L00 | 514A-10 | | | 146A-17 | 09116-06512 | 432A-10 | | | | | |
| | 412C-2 | 63115-97L00 | 444A-4 | 66122-97L00 | 432A-18 | 67448-91J00 | 514A-11 | | | 146B-23 | 09116-08156 | 407A-5 | | | | | |
| 61117-97L00 | 412A-3 | 63116-97L00 | 444A-5 | 66142-97L00 | 432A-19 | 67449-97L00 | 514A-13 | | | 146C-23 | 09125-05046 | 444A-15 | | | | | |
| | 412B-3 | 63125-97L00 | 444A-6 | 66160-97L00 | 432A-20 | 67460-97L00 | 514A-14 | | 01550-0640C | 113A-25 | 09125-05050 | 432A-21 | | | | | |
| | 412C-3 | 63210-94L01 | 444A-7 | 67101-97L00 | 514A-1 | 67466-95200 | 514A-15 | | | 02112-0612A | 113A-27 | 09125-05143 | 335A-17 | | | | |
| 61133-97L00 | 412A-4 | 63220-97L00 | 444A-8 | 67110-97L00 | 514A-4 | 67467-93E01 | 514A-16 | | | 02142-06127 | 113A-28 | 09126-05003 | 508A-39 | | | | |
| | 412B-4 | 63225-93200 | 444A-9 | 67112-97L00 | 514A-5 | 69711-91J10 | 167A-11 | | | 03542-05169 | 412A-12 | 09126-05011 | 111A-14 | | | | |
| | 412C-4 | 63228-97L00 | 444A-10 | 67200-91J20 | 508A-1 | 69714-97L00 | 444A-23 | | | | 412B-11 | 09126-06026 | 444A-16 | | | | |
| 61135-97L00 | 412A-5 | 63240-95L00 | 444A-11 | 67212-95600 | 508A-5 | 69911-91J50 | 335A-15 | | | | 412C-11 | 09128-06014 | 208A-11 | | | | |
| | 412B-5 | 63241-95L01 | 444A-12 | 67220-95630 | 508A-6 | | | | | 04211-09149 | 113A-15 | 09140-06020 | 508A-40 | | | | |
| | 412C-5 | 63610-97L00 | 444A-13 | 67223-99E10 | 508A-7 | | | | | 04211-11169 | 111A-7 | 09140-08023-XCO | 407A-10 | | | | |

| PART NO. | FIG.NO.-REF.NO. | PART NO. | FIG.NO.-REF.NO. | PART NO. | FIG.NO.-REF.NO. |
|-------------|-----------------|-----------------|-----------------|-----------------|-----------------|
| 09159-06079 | 514A-19 | 09206-11006 | 405A-11 | 09343-50L01-120 | 146A-12 |
| 09159-08059 | 335A-10 | | 407A-8 | | 146B-16 |
| | 514A-20 | 09248-08001 | 407A-9 | | 146C-16 |
| 09160-05501 | 210A-5 | 09248-12009 | 113A-22 | 09343-50L01-440 | 146B-17 |
| 09160-06082 | 160A-12 | 09250-10010 | 412A-10 | | 146C-17 |
| | 335A-11 | | 412B-10 | 09343-50L01-550 | 146A-13 |
| | 514A-21 | | 412C-10 | 09352-70113-600 | 111A-4 |
| 09160-06085 | 412B-19 | 09250-12006 | 412A-11 | 09367-06002 | 146B-18 |
| | 412C-19 | 09250-35006 | 444A-19 | | 146C-18 |
| 09160-06104 | 508A-41 | 09261-04021 | 116A-23 | 09367-06007 | 146A-14 |
| | 514A-22 | 09262-12001 | 407A-15 | | 146B-19 |
| 09160-06145 | 208A-12 | 09262-20106 | 407A-3 | | 146C-19 |
| 09160-08059 | 335A-12 | 09280-05008 | 210A-7 | 09380-10003 | 230A-4 |
| 09160-08082 | 407A-11 | 09280-15007 | 113A-13 | 09381-16001 | 116A-4 |
| 09160-08145 | 514A-23 | | 210A-8 | 09385-04004 | 444A-18 |
| 09160-10088 | 230A-6-1 | 09280-16005 | 208A-14 | 09387-52002 | 113A-24 |
| 09160-10089 | 230A-6-2 | 09280-27006 | 146A-8 | 09401-09404 | 128A-23 |
| 09160-10090 | 230A-6-3 | | 146B-11 | | 128B-23 |
| 09160-10091 | 230A-6-4 | | 146C-11 | | 128C-23 |
| 09160-10092 | 230A-6-5 | 09280-39001 | 175A-11 | | 146A-15 |
| 09163-06001 | 444A-17 | 09280-49002 | 407A-19 | | 146B-20 |
| 09164-08017 | 514A-24 | 09282-10008 | 160A-17 | | 146C-20 |
| 09166-12L01 | 230A-7 | 09282-12L05 | 407A-14 | 09401-10412 | 111A-6 |
| 09167-23001 | 407A-13 | 09283-10009 | 113A-8 | 09401-11424 | 146B-21 |
| 09168-10022 | 405A-6 | 09283-21009 | 113A-3 | | 146C-21 |
| 09168-12017 | 113A-21 | 09283-25076 | 113A-9 | 09403-05312 | 444A-20 |
| 09168-16009 | 113A-7 | 09289-05012 | 116A-24 | 09403-07340 | 514A-28 |
| 09169-06092 | 432A-11 | 09306-08002 | 514A-26 | 09403-09326 | 146A-16 |
| 09180-05067 | 335A-18 | 09320-04010 | 405A-8 | | 146B-22 |
| 09180-06097 | 514A-25 | 09320-05019 | 432A-12 | | 146C-22 |
| 09180-06371 | 335A-13 | 09320-06016 | 550A-17 | 09407-11401 | 514A-32 |
| 09181-10156 | 230A-2 | 09320-08051 | 432A-13 | 09407-14407 | 303A-16 |
| 09181-12017 | 230A-12-4 | 09320-09507 | 432A-14 | | 514A-30 |
| 09181-12018 | 230A-12-5 | 09320-11017 | 514A-27 | | 550A-19 |
| 09181-12022 | 230A-12-1 | 09321-08022 | 113A-23 | 09408-00159 | 303A-14 |
| 09181-12023 | 230A-12-2 | | 432A-15 | 09420-03002 | 160A-15 |
| 09181-12024 | 230A-12-3 | 09343-50L01-040 | 146A-9 | 09440-05039 | 230A-17 |
| 09181-12111 | 230A-11 | | 146A-10 | 09440-10038 | 175A-12 |
| 09181-20162 | 230A-13-1 | | 146B-12 | 09440-12027 | 444A-2 |
| 09181-20164 | 230A-13-2 | | 146B-13 | 09440-24007 | 230A-18 |
| 09181-20167 | 230A-13-3 | | 146C-12 | 09481-20001 | 550A-5 |
| 09181-20172 | 230A-13-4 | | 146C-13 | 09482-00L04 | 111A-11 |
| 09181-20176 | 230A-13-5 | 09343-50L01-060 | 128A-29 | 09491-52L01 | 128A-3-1 |
| 09202-04016 | 230A-16 | | 128B-29 | 09491-54L01 | 128A-3-2 |
| 09202-06023 | 405A-7 | | 128C-29 | 09491-64003 | 128B-3-1 |
| 09204-01002 | 208A-13 | 09343-50L01-080 | 146A-11 | 09491-66005 | 128B-3-2 |
| | 514A-12 | | 146B-14 | 09491-70018 | 128C-3-1 |
| | 407A-24 | | 146C-14 | 09491-72015 | 128C-3-2 |
| 09205-02004 | 210A-6 | 09343-50L01-110 | 146B-15 | 09492-32011 | 128A-15-1 |
| 09205-06021 | 335A-6 | | 146C-15 | 09492-34004 | 128A-15-2 |

| PART NO. | FIG.NO.-REF.NO. | PART NO. | FIG.NO.-REF.NO. | PART NO. | FIG.NO.-REF.NO. |
|-------------|-----------------|----------|-----------------|----------|-----------------|
| 09492-35035 | 128B-15-1 | | | | |
| 09492-37005 | 128B-15-2 | | | | |
| 09492-39003 | 128C-15-1 | | | | |
| 09492-41004 | 128C-15-2 | | | | |
| 09493-22L01 | 128C-17 | | | | |
| 09493-26010 | 128A-17 | | | | |
| 09493-30007 | 128B-17 | | | | |
| 09493-75001 | 128B-18 | | | | |
| 09493-80015 | 128C-18 | | | | |
| 09493-85003 | 128A-18 | | | | |
| 09800-01007 | 420A-8 | | | | |
| | 420B-8 | | | | |
| | 420C-8 | | | | |

SUZUKI DF4A/5A/6A PARTS CATALOGUE

SUZUKI MOTOR CORPORATION All rights reserved

No part of this document may be reproduced or transmitted in any form or by any means, electronic or mechanical, for any purpose, without the express written permission of Suzuki Motor Corporation.

SUZUKI MOTOR CORPORATION

Technical Readiness Group, Quality Administration Department
300 Takatsuka, Minami, Hamamatsu, Japan

Reprint Prohibited

SUZUKI MOTOR CORPORATION
