

# SUZUKI

PARTS CATALOGUE

## VL800L6

(JS1BM121)



## BOULEVARD C50

E14

2015-11

1<sup>ST</sup> EDITION

VL800L6



YVB

VL800L6



YWW

## PREFACE

When it becomes necessary to replace parts on SUZUKI MOTORCYCLES, always use SUZUKI GENUINE PARTS which have passed a strict inspection which guarantees quality and performance.

This parts catalogue covers the list of all service parts for SUZUKI VL800L6.

### INSTRUCTIONS FOR QUOTING THE CATALOGUE

#### 1. DIMENSIONS

Dimensions of the parts in this catalogue are indicated in unit millimeters.

#### 2. ABBREVIATIONS

Abbreviations used in this catalogue are as follows:

AR	: As required	NT	: Number of teeth
ASSY	: Assembly	OPT	: Optional
E.No.	: Engine number	OS	: Over size
F.No.	: Frame number	STD	: Standard
D	: Diameter of material	T	: Thickness
ID	: Inside diameter	US	: Under size
OD	: Outside diameter	W	: Width
L	: Length		
LH	: Left hand side		
RH	: Right hand side		
~100045	: Up to F.No. 100045		
100046~	: From F.No. 100046		
12 x 34 x 5.6	..... Figures in the description column		
	show the dimensions of parts.		
ID OD T(or W,L)			

→12345-56781 (Parts No.) : indicates that the parts number was changed to 12345-56781 and the new parts are interchangeable with the former ones but the former ones are not interchangeable with new ones.

←12345-56781 (Parts No.) : indicates that the former and new parts are interchangeable with each other and both are usable.

#### 3. INNER PARTS OF ASSEMBLY

Part name with a dot (.) in front as shown in the description column indicates the component of the assembly also available individually.

#### 4. MODIFICATION NOTICE

A parts bulletin will be sent to you on all occasions when changes in parts occur, including interchangeable modifications between new parts and old ones.

#### 5. NOTE

5-1. There are some different parts from those of production models among spare parts for the administrative reasons and common use of them with other models.

5-2. In respect of rubber hoses and vinyl tubes, please be sure to use them by cutting off according to the length mentioned on parts catalogue or what is actually required on the vehicle.

5-3. Note that the drawings on the illustration page are for ready reference of spare parts number, not to be used as an assembly manual. When assembling, use "SUZUKI SERVICE MANUAL".

#### 6. SPECIFICATION CODE

This catalogue contains the parts for the model designed for the following spec. ;  
spec. code : VL800L6 : E14.

#### 7. SERIAL FRAME NUMBER

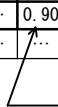
VL800L6 : JS1BM121700100001~

MILLIMETER → INCH CONVERSION CHART

	0	1	2	3	4	5	6	7	8	9
00	.000	.039	.079	.118	.157	.197	.236	.276	.315	.354
10	.394	.433	.472	.512	.551	.591	.630	.669	.709	.748
20	.787	.827	.866	.906	.945	.984	1.024	1.063	1.102	1.142
30	1.181	1.220	1.260	1.299	1.339	1.378	1.417	1.457	1.496	1.535
40	1.575	1.614	1.654	1.693	1.732	1.772	1.811	1.850	1.890	1.929
50	1.969	2.008	2.047	2.087	2.126	2.165	2.205	2.214	2.283	2.323
60	2.362	2.402	2.441	2.480	2.520	2.559	2.598	2.638	2.677	2.717
70	2.756	2.795	2.835	2.874	2.913	2.953	2.992	3.031	3.071	3.110
80	3.150	3.189	3.228	3.268	3.307	3.346	3.386	3.425	3.465	3.504
90	3.543	3.583	3.622	3.661	3.701	3.740	3.780	3.819	3.858	3.898

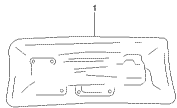
How to read

	0	1	2	3	4
00	...	...	...	...	...
10	...	...	...	...	...
20	...	...	...	0.906	...
30	...	...	...	...	...


 23 millimeters equal 0.906 inch

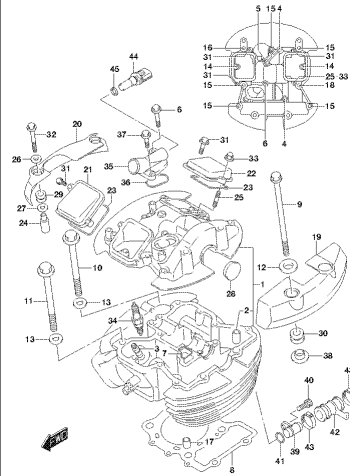
Contents are subject to change without notice or obligation.

FIG.101A



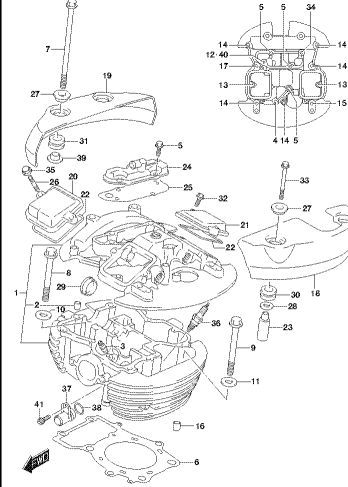
VL500A\_EH\_101A  
CARBURET SET

FIG.104A



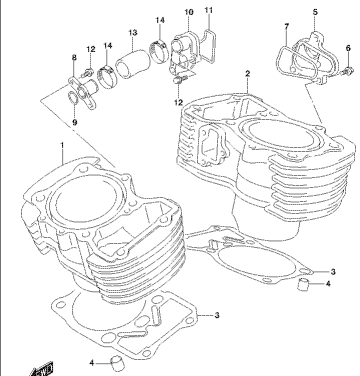
VL500A\_EH\_104A  
CYLINDER HEAD (90°)

FIG.105A



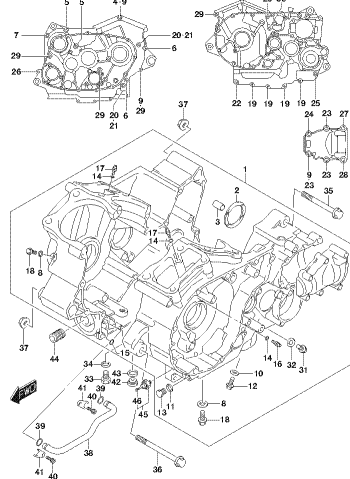
VL500A\_EH\_105A  
CYLINDER (65°)

FIG.107A



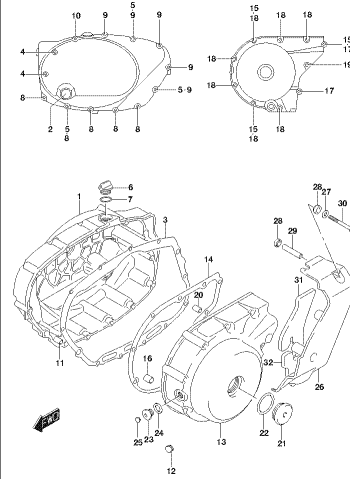
VL500A\_EH\_107A  
PISTON

FIG.108A



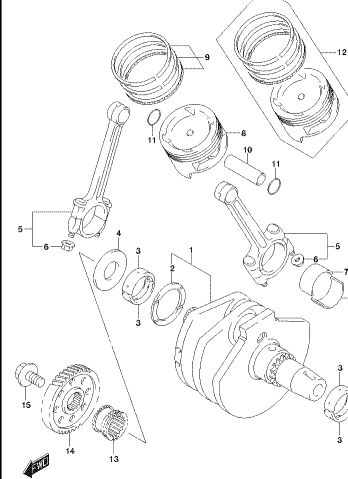
VL500A\_EH\_108A  
CRANKCASE

FIG.112A



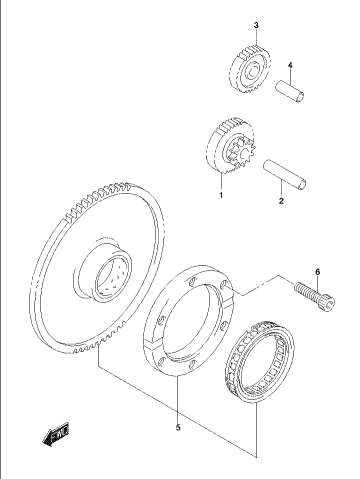
VL500A\_EH\_112A  
CRANKCASE COVER

FIG.120A

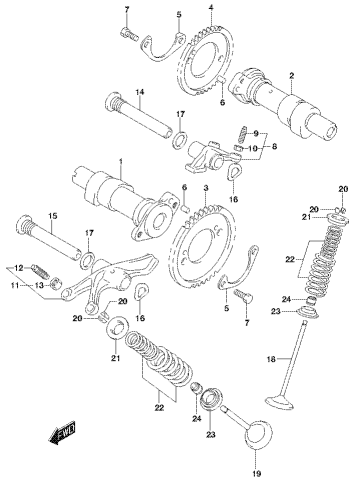


VL500A\_EH\_120A  
CRANKSHAFT

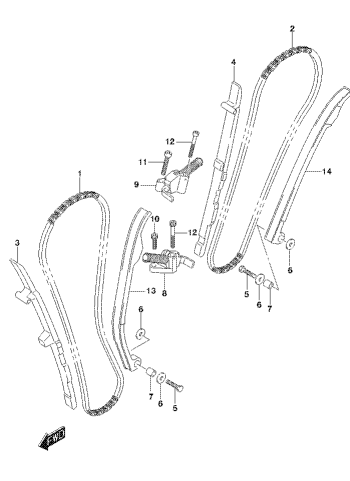
FIG.122A



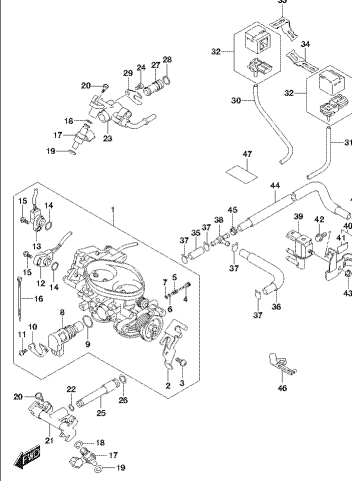
VL500A\_EH\_122A  
STARTER CLUTCH

**FIG. 126A**

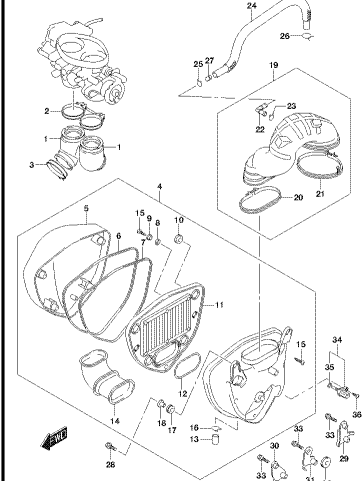
VL5000L\_EH4\_127A  
CARBURETTOR

**FIG. 127A**

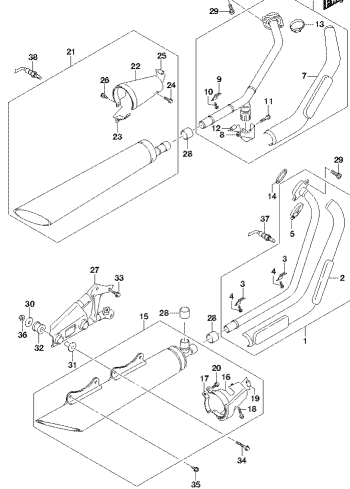
VL5000L\_EH4\_127A  
CARBURETTOR

**FIG. 140A**

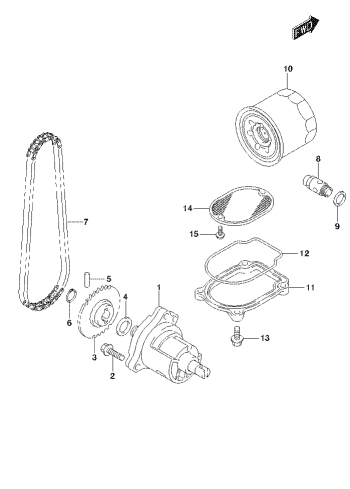
VL5000L\_EH4\_140A  
THROTTLE BODY

**FIG. 155A**

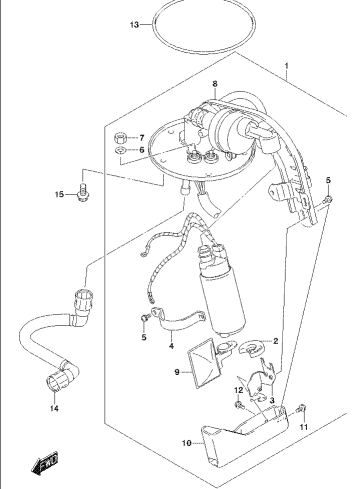
VL5000L\_EH4\_155A  
AIR FILTER

**FIG. 163A**

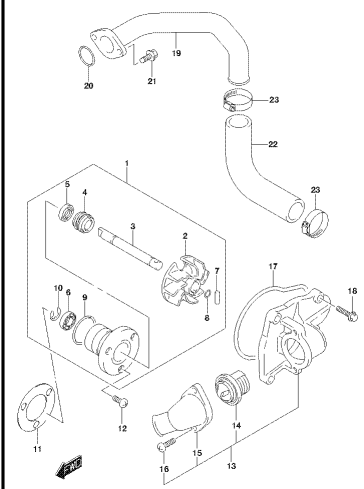
VL5000L\_EH4\_163A  
FUEL FILTER

**FIG. 170A**

VL5000L\_EH4\_170A  
OIL PUMP

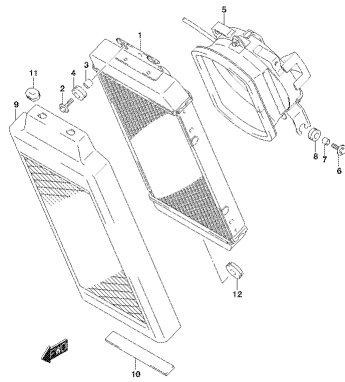
**FIG. 172A**

VL5000L\_EH4\_172A  
FUEL PUMP

**FIG. 180A**

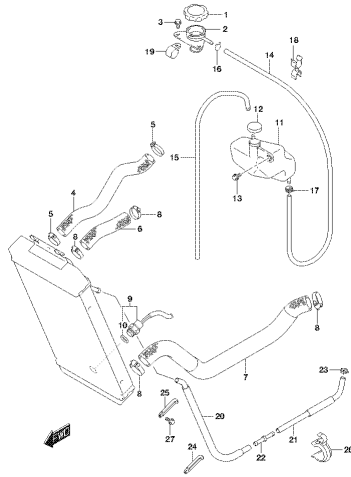
VL5000L\_EH4\_180A  
WATER PUMP

FIG.185A



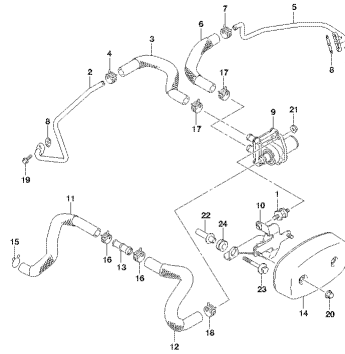
VL500A\_EH\_185A  
9A242591

FIG.187A



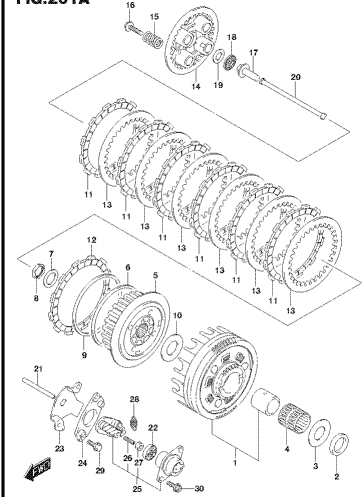
VL500A\_EH\_187A  
9A242591-0002

FIG.189A



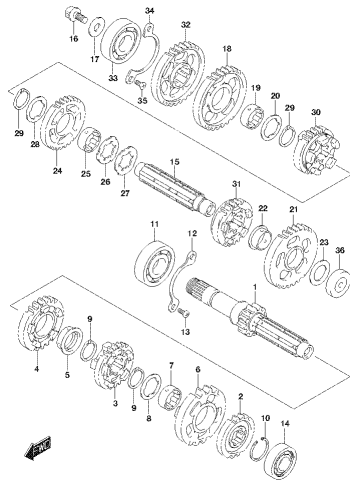
VL500A\_EH\_189A  
90K-011

FIG.201A



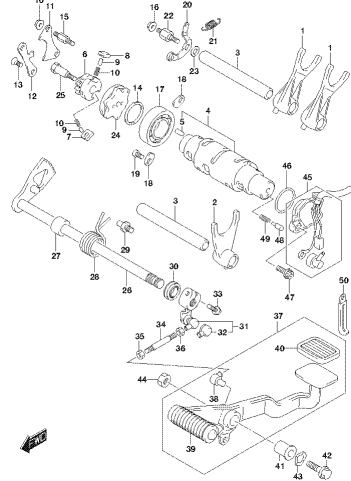
VL500A\_EH\_201A  
GLT024

FIG.206A



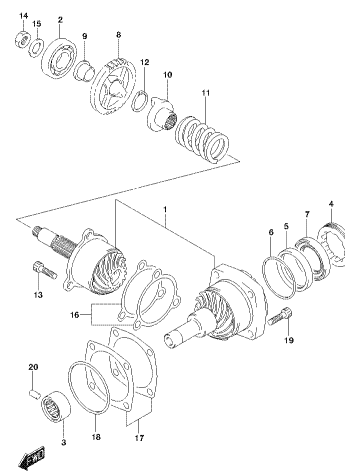
VL500A\_EH\_206A  
TRANSMISSOR

FIG.212A



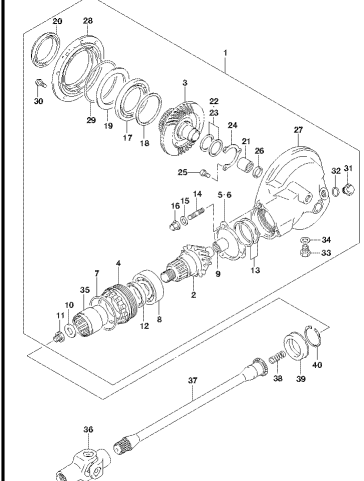
VL500A\_EH\_212A  
GEAR SHIFTING

FIG.216A



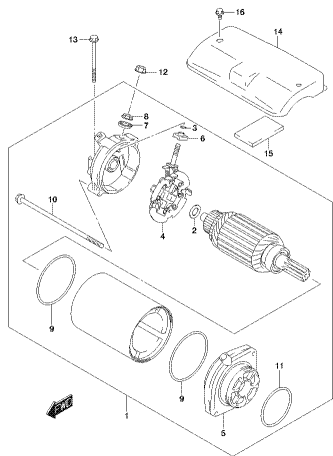
VL500A\_EH\_216A  
SECONDARY DRIVE GEAR

FIG.220A



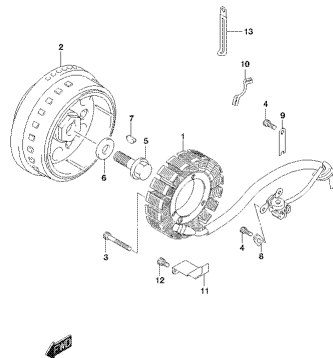
VL500A\_EH\_220A  
PROPELLER SHAFT/FINAL DRIVE GEAR



**FIG.301A**

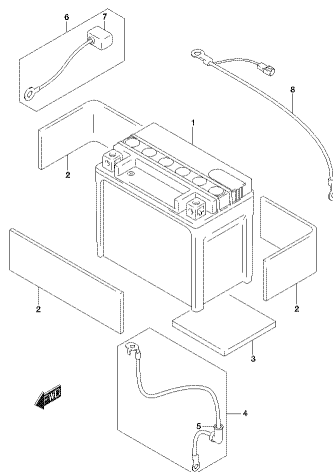
VL800JL\_EH\_301A

STARTING MOTOR

**FIG.303A**

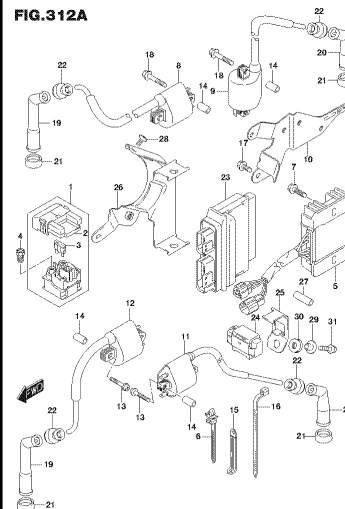
VL800JL\_EH\_303A

H&amp;C METER

**FIG.310A**

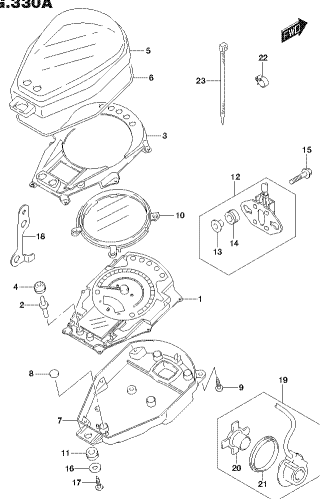
VL800JL\_EH\_310A

BATTERY

**FIG.312A**

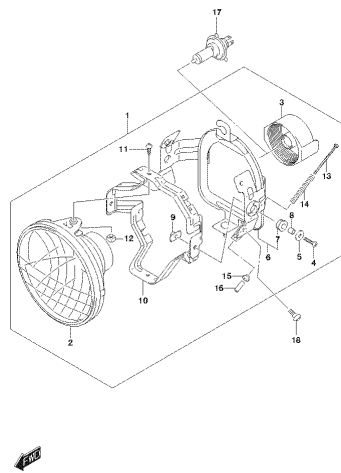
VL800JL\_EH\_312A

ELECTRICAL

**FIG.330A**

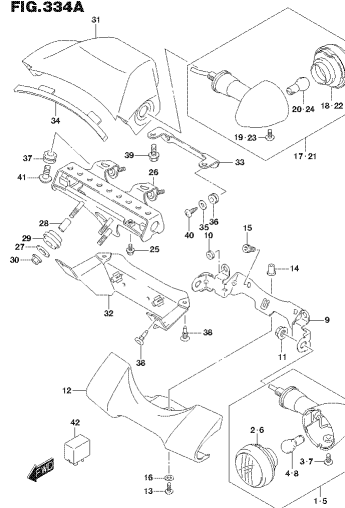
VL800JL\_EH\_330A

SPEEDMETER

**FIG.333A**

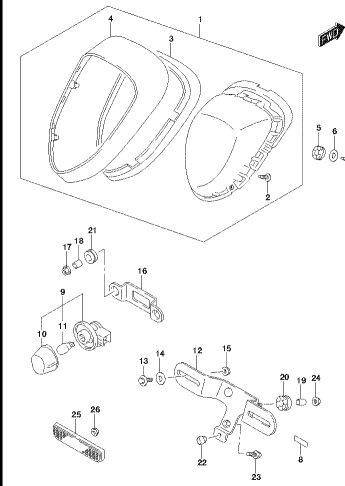
VL800JL\_EH\_333A

HEADLAMP

**FIG.334A**

VL800JL\_EH\_334A

VERTICAL LAMP

**FIG.339A**

VL800JL\_EH\_339A

REAR COMBINATION LAMP





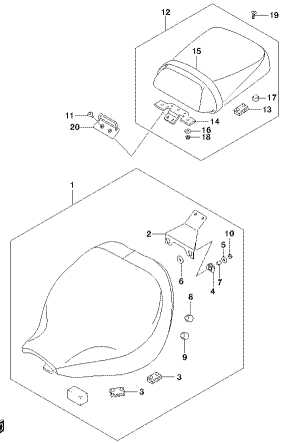
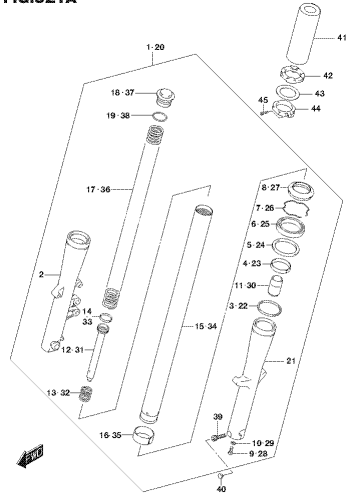
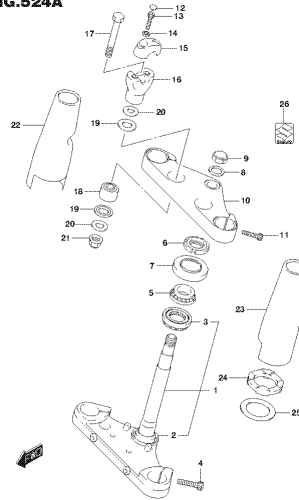
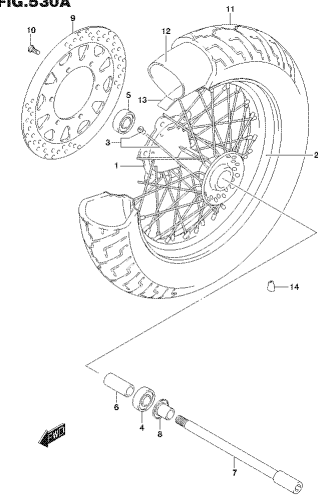
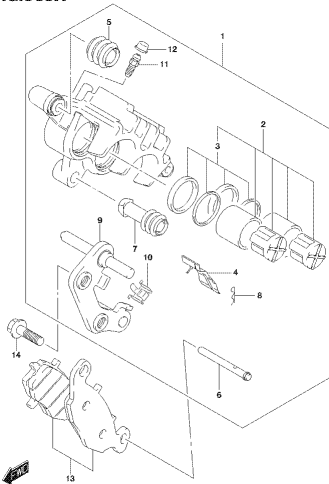
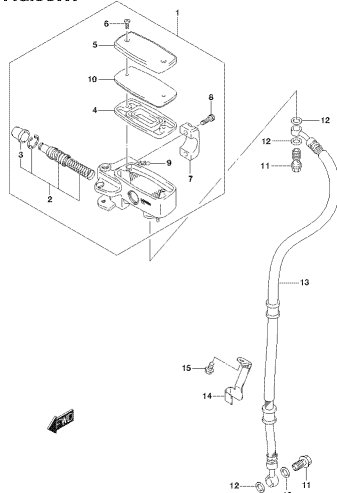
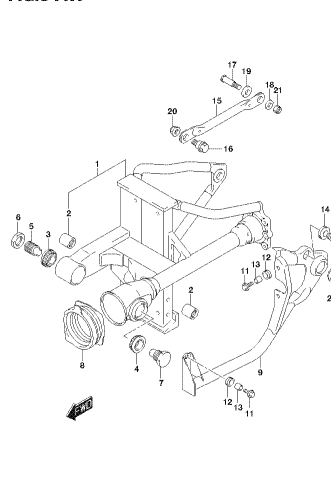
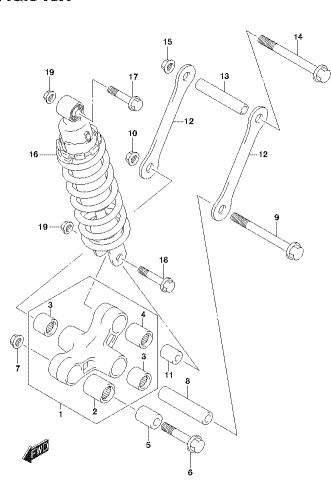
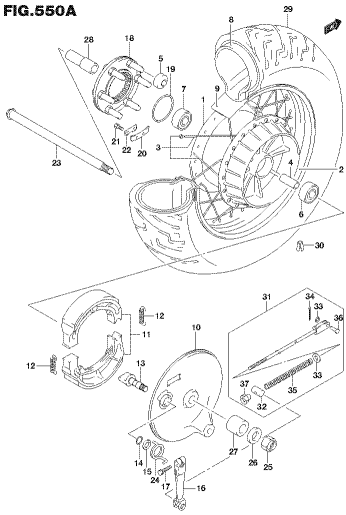
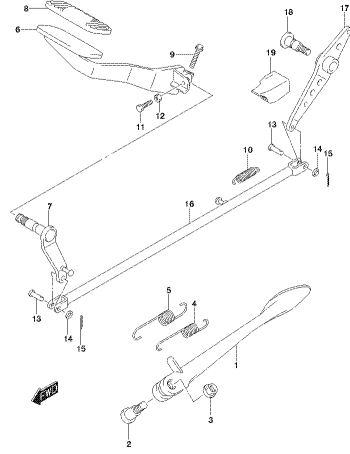
**FIG.505A**VL5000A\_EH\_505A  
SEAT**FIG.521A**VL5000A\_EH\_521A  
FRONT TRUNK BUMPER**FIG.524A**VL5000A\_EH\_524A  
STEERING STEM**FIG.530A**VL5000A\_EH\_530A  
FRONT WHEEL**FIG.535A**VL5000A\_EH\_535A  
FRONT CALIPER**FIG.537A**VL5000A\_EH\_537A  
REAR MASTER CYLINDER**FIG.541A**VL5000A\_EH\_541A  
FRONT SWINGARM/ARM**FIG.543A**VL5000A\_EH\_543A  
REAR SHOCK/SHOCK LEVER

FIG.550A



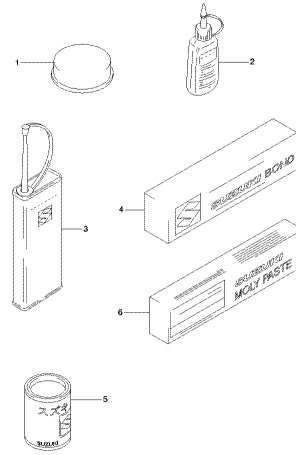
V.3000JL\_E14\_901A  
REAR WHEEL

FIG.556A



V.3000JL\_E14\_905A  
REAR DRIVE

FIG.901A

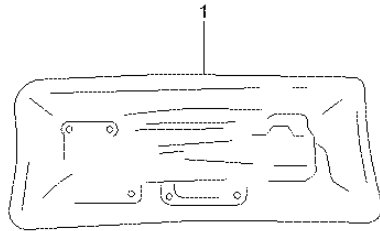


V.3000JL\_E14\_901B  
OPTIONAL

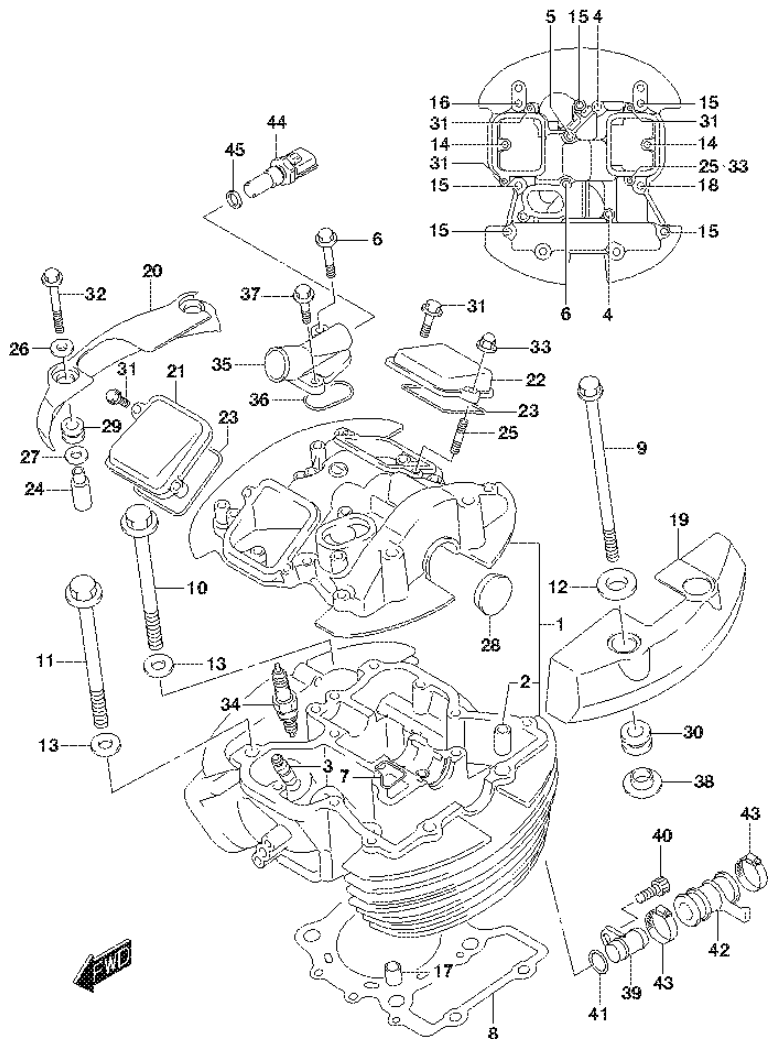
**FIG.101A**

**FIG.101A (1-B-2) GASKET SET**

REF NO.	PART NO.	DESCRIPTION	Q'TY	REMARKS
1	11402-41830	GASKET SET	1	OPT
2	11123-38A00	.GASKET, HEAD COVER	1	NOT ILLUSTRATED
3	11141-41F00	.GASKET, CYLINDER HEAD FRONT	1	NOT ILLUSTRATED
4	11142-41F00	.GASKET, CYLINDER HEAD REAR	1	NOT ILLUSTRATED
5	11177-38A00	.GASKET, INSPECTION CAP	4	NOT ILLUSTRATED
6	11187-41F20	.GASKET, BREATHER COVER	1	NOT ILLUSTRATED
7	11241-39G00	.GASKET, CYLINDER	2	NOT ILLUSTRATED
8	11482-41F00	.GASKET, CLUTCH COVER	1	NOT ILLUSTRATED
9	11483-41F00	.GASKET, GENERATOR COVER	1	NOT ILLUSTRATED
10	14181-10F00	.GASKET, EXHAUST PIPE	2	NOT ILLUSTRATED
11	16528-38A00	.O RING, OIL STRAINER CAP	1	NOT ILLUSTRATED



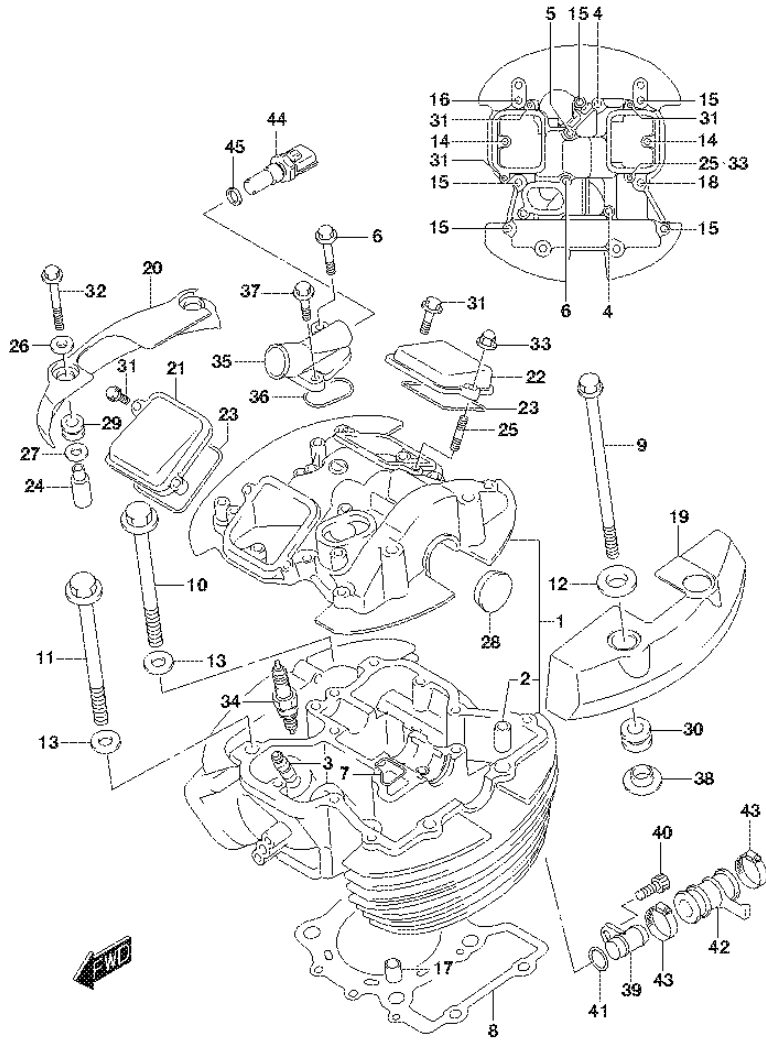
**FIG.104A**



**FIG.104A (1-B-3) CYLINDER HEAD (FRONT)**

REF NO.	PART NO.	DESCRIPTION	Q'TY	REMARKS
1	11101-39G50	HEAD ASSY, CYLINDER FRONT	1	
2	09206-11011	.PIN (11X14)	2	
3	11115-41F70	GUIDE, VALVE (OS 0.3)	4	OPT
4	09103-06304	BOLT (6X50)	2	
5	09103-06305	BOLT (6X55)	1	
6	07130-0680B	BOLT	1	
7	11123-38A00	GASKET, CYLINDER HEAD COVER	1	
8	11141-41F00	GASKET, CYLINDER HEAD FRONT	1	
9	09103-08370	BOLT (8X250)	2	
10	09103-10133	BOLT (10X155)	2	
11	09103-10134	BOLT (10X165)	2	
12	09160-08130	WASHER (8.5X24X1.6)	2	
13	09160-10039	WASHER (10.5X22X2.3)	4	
14	01547-0625A	BOLT	2	
15	01547-0630A	BOLT	5	
16	01547-0640A	BOLT	1	
17	04211-13189	KNOCK PIN	2	
18	07120-0630A	BOLT	1	
19	11171-41FA0	CAP, CYLINDER HEAD COVER FL	1	
20	11172-41F00	CAP, CYLINDER HEAD COVER FR	1	
21	11175-38A11	CAP, INSPECTION INTAKE	1	
22	11176-38A11	CAP, INSPECTION EXHAUST	1	
23	11177-38A00	GASKET, INSPECTION CAP	2	
24	11179-10F10	SPACER, HEAD COVER CAP	2	
25	09108-06102	STUD BOLT	1	
26	09160-06084	WASHER (6.5X18X1.6)	2	
27	09160-09016	WASHER (9.5X20X1)	2	
28	09241-30004	PLUG (OD:30)	1	
29	09320-09016	CUSHION	2	
30	09320-13015	CUSHION	2	
31	01547-0620A	BOLT	3	
32	01547-06557	BOLT	2	
33	09159-06093	NUT	1	

**FIG.104A**

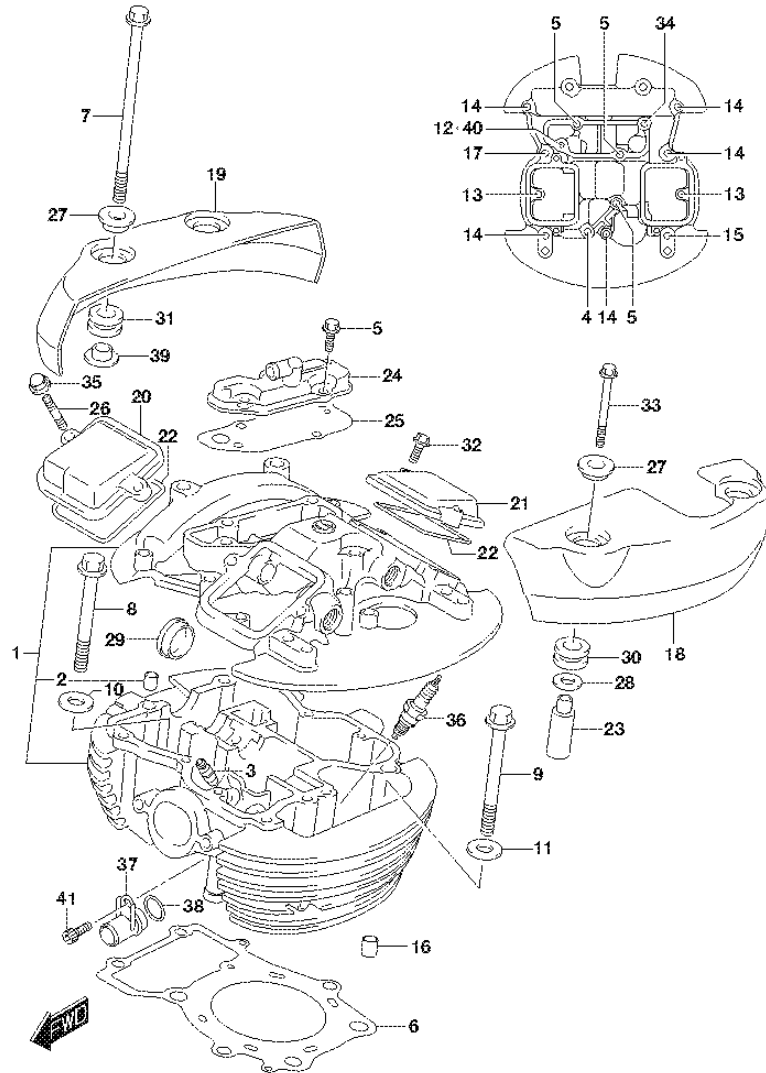


**FIG.104A (1-B-4) CYLINDER HEAD (FRONT)**

REF NO.	PART NO.	DESCRIPTION	Q'TY	REMARKS
34-1	09482-00398	SPARK PLUG (DR7EA)	2	NGK
34-2	09482-00222	SPARK PLUG (X22ESR-U)	2	DENSO
34-3	09482-00223	SPARK PLUG (X24ESR-U)	2	OPT DENSO
34-4	09482-00224	SPARK PLUG (X27ESR-U)	2	OPT DENSO
34-5	09482-00399	SPARK PLUG (DR8EA)	2	OPT NGK
34-6	09482-00400	SPARK PLUG (DR9EA)	2	OPT NGK
35	11181-41F00	UNION, CYLINDER HEAD OUTLET	1	
36	11182-38A00	O RING, OUTLET UNION	1	
37	07130-0620A	BOLT	1	
38	09301-08007	BUSH	2	
39	17891-41F10	UNION, CYLINDER HEAD JOINT	1	
40	07130-0612A	BOLT	1	
41	09280-16005	O RING (D:2.4, ID:15.8)	1	
42	17854-41F01	HOSE, HEAD JOINT	1	
43	09402-28513	CLAMP	2	
44	13650-57F00	SENSOR, WATER TEMP	1	
45	09168-12017	GASKET (12X17X1)	1	



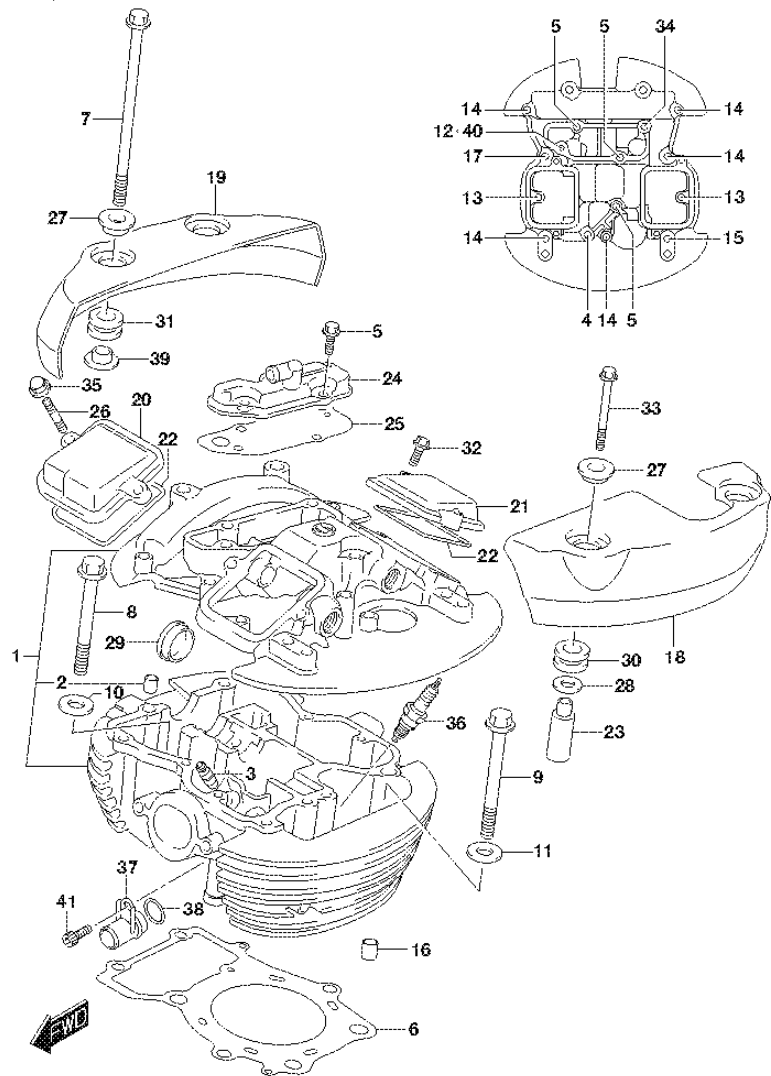
**FIG.105A**



**FIG.105A (1-B-5) CYLINDER HEAD (REAR)**

REF NO.	PART NO.	DESCRIPTION	Q'TY	REMARKS
1	11103-39G50	HEAD ASSY, CYLINDER REAR	1	
2	09206-11011	.PIN (11X14)	2	
3	11115-41F70	GUIDE, VALVE (OS 0.3)	4	OPT
4	09103-06304	BOLT (6X50)	1	
5	09103-06305	BOLT (6X55)	3	
6	11142-41F00	GASKET, CYLINDER HEAD REAR	1	
7	09103-08370	BOLT (8X250)	2	
8	09103-10133	BOLT (10X155)	2	
9	09103-10134	BOLT (10X165)	2	
10	09160-08130	WASHER (8.5X24X1.6)	2	
11	09160-10039	WASHER (10.5X22X2.3)	4	
12	09103-06305	BOLT (6X55)	1	
13	01547-0625A	BOLT	2	
14	01547-0630A	BOLT	5	
15	01547-0640A	BOLT	1	
16	04211-13189	KNOCK PIN	2	
17	07120-0630A	BOLT	1	
18	11173-41FA0	CAP, CYLINDER HEAD COVER RR	1	
19	11174-41F00	CAP, CYLINDER HEAD COVER RR	1	
20	11175-38A11	CAP, INSPECTION INTAKE	1	
21	11176-38A11	CAP, INSPECTION EXHAUST	1	
22	11177-38A00	GASKET, INSPECTION CAP	2	
23	11179-10F10	SPACER, HEAD COVER CAP	2	
24	11186-41FB0	COVER, BREATHER	1	
25	11187-41F20	GASKET, BREATHER COVER	1	
26	09108-06102	STUD BOLT	1	
27	09160-06084	WASHER (6.5X18X1.6)	2	
28	09160-09016	WASHER (9.5X20X1)	2	
29	09241-30004	PLUG (OD:30)	1	
30	09320-09016	CUSHION	2	
31	09320-13015	CUSHION	2	
32	01547-0620A	BOLT	3	
33	01547-06557	BOLT	2	
34	01547-0620A	BOLT	1	

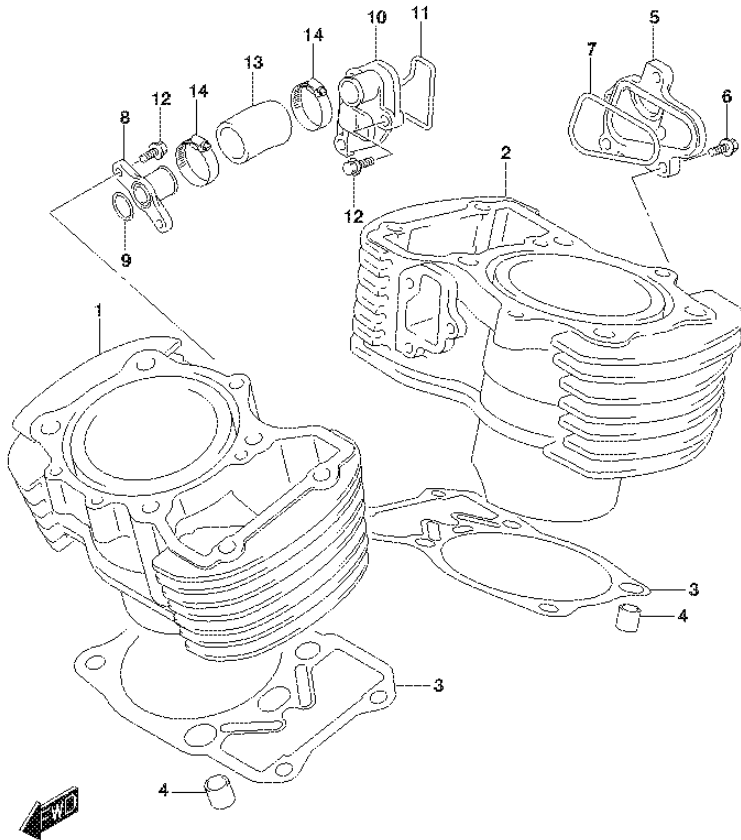
**FIG.105A**



**FIG.105A (1-B-6) CYLINDER HEAD (REAR)**

REF NO.	PART NO.	DESCRIPTION	Q'TY	REMARKS
35	09159-06093	NUT	1	
36-1	09482-00398	SPARK PLUG (DR7EA)	2	NGK
36-2	09482-00222	SPARK PLUG (X22ESR-U)	2	DENSO
36-3	09482-00223	SPARK PLUG (X24ESR-U)	2	OPT DENSO
36-4	09482-00224	SPARK PLUG (X27ESR-U)	2	OPT DENSO
36-5	09482-00399	SPARK PLUG (DR8EA)	2	OPT NGK
36-6	09482-00400	SPARK PLUG (DR9EA)	2	OPT NGK
37	17891-41F10	UNION, CYLINDER HEAD JOINT	1	
38	09280-16005	O RING (D:2.4, ID:15.8)	1	
39	09301-08007	BUSH	2	
40	09168-06023	GASKET (5.8X13X1.2)	1	
41	07130-0612A	BOLT	1	

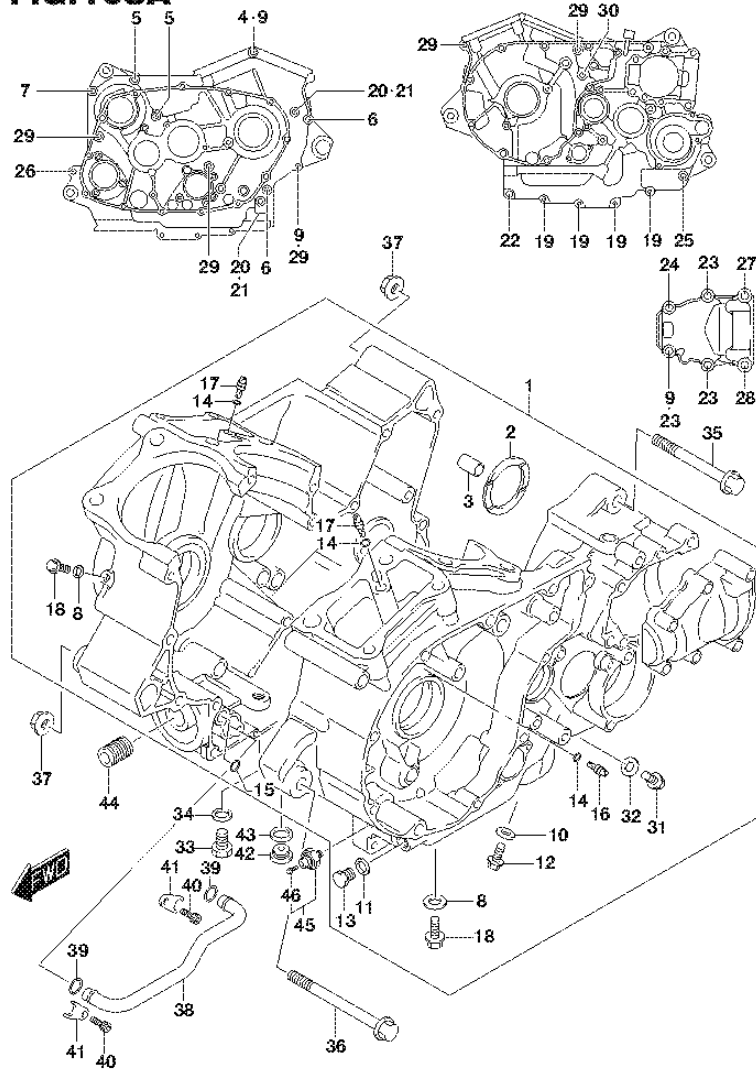
**FIG.107A**



**FIG.107A (1-B-7) CYLINDER**

REF NO.	PART NO.	DESCRIPTION	Q'TY	REMARKS
1	11210-39G00-0F0	CYLINDER, FRONT	1	
2	11220-39G00-0F0	CYLINDER, REAR	1	
3	11241-39G00	GASKET, CYLINDER	2	
4	04211-13189	KNOCK PIN	4	
5	11237-41F00	CONNECTOR, WATER INLET	1	
6	01547-0620A	BOLT	3	
7	11247-38A00	O RING	1	
8	11235-41F00	UNION, WATER INLET	1	
9	09280-16005	O RING (D:2.4,ID:15.8)	1	
10	17892-41F00	UNION, OUTLET	1	
11	17899-41F00	O RING	1	
12	01547-0616A	BOLT	5	
13	17853-38A10	HOSE, CYLINDER JOINT	1	
14	09402-28513	CLAMP	2	

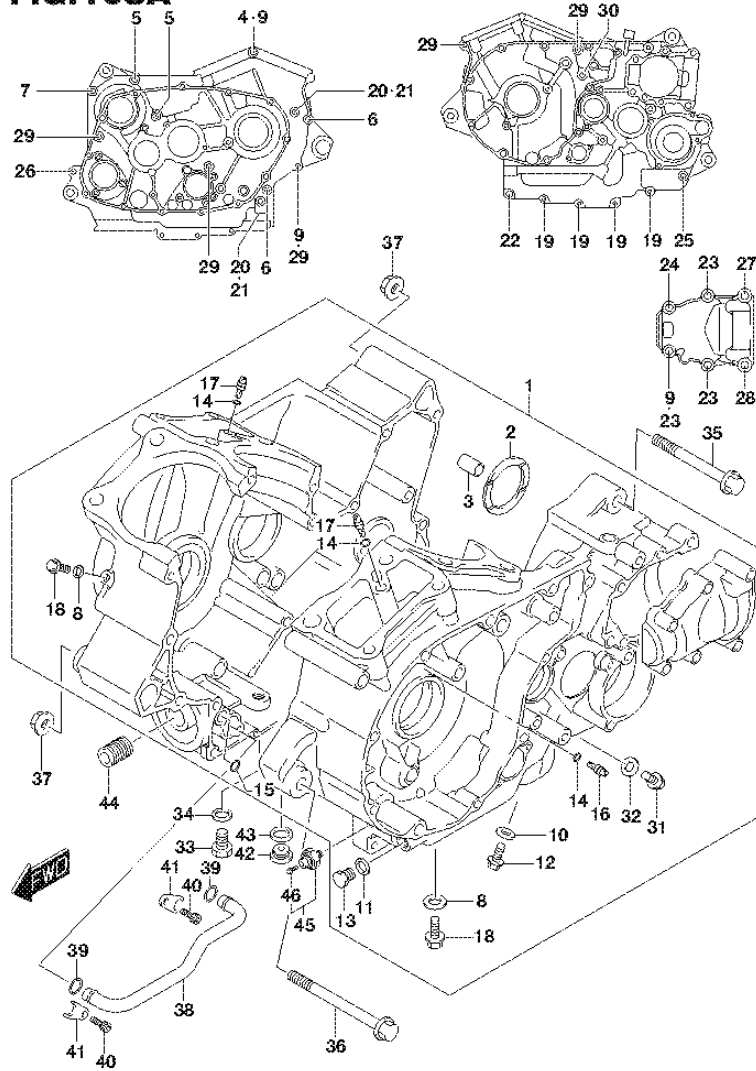
**FIG.108A**



**FIG.108A (1-B-8) CRANKCASE**

REF NO.	PART NO.	DESCRIPTION	Q'TY	REMARKS
1	11302-39830	CRANKCASE SET	1	
2-1	09160-48001	.WASHER (48.1X64X1.94)	1	
2-2	09160-48002	.WASHER (48.1X64X1.96)	1	
2-3	09160-48003	.WASHER (48.1X64X1.99)	1	
2-4	09160-48004	.WASHER (48.1X64X2.01)	1	
2-5	09160-48005	.WASHER (48.1X64X2.04)	1	
2-6	09160-48006	.WASHER (48.1X64X2.06)	1	
2-7	09160-48007	.WASHER (48.1X64X2.09)	1	
2-8	09160-48008	.WASHER (48.1X64X2.11)	1	
2-9	09160-48009	.WASHER (48.1X64X2.14)	1	
2-10	09160-48010	.WASHER (48.1X64X2.16)	1	
3	09206-11007	.PIN (8.4X11X20)	4	
4	09103-08405	.BOLT (8X160)	1	
5	09103-08406	.BOLT (8X120)	2	
6	09103-08179	.BOLT (8X105)	2	
7	09103-08164	.BOLT (8X95)	1	
8	09168-06023	.GASKET (5.8X13X1.2)	2	
9	09168-08016	.GASKET (8.2X14X1)	3	
10	09168-10002	.GASKET (10X14X3.6)	1	
11	09168-14002	.GASKET (13.8X18.8X4.8)	1	
12	09247-10008	.PLUG (10X12)	1	
13	09247-14026	.PLUG (14X12)	1	
14	09280-04004	.O RING (D:1.2,ID:4)	3	
15	09280-12009	.O RING (D:1.9,ID:12.6)	1	
16	09493-20014	.JET, OIL GALLERY	1	
17	09493-28010	.JET AIR(14)	2	
18	01550-0610A	.BOLT	2	
19	01547-0640A	.BOLT	4	
20	01550-0812A	.BOLT	2	
21	09168-08016	.GASKET (8.2X14X1)	2	
22	01550-0835A	.BOLT	1	
23	01550-0840A	.BOLT	3	
24	01550-0850A	.BOLT	1	
25	01550-0855A	.BOLT	1	

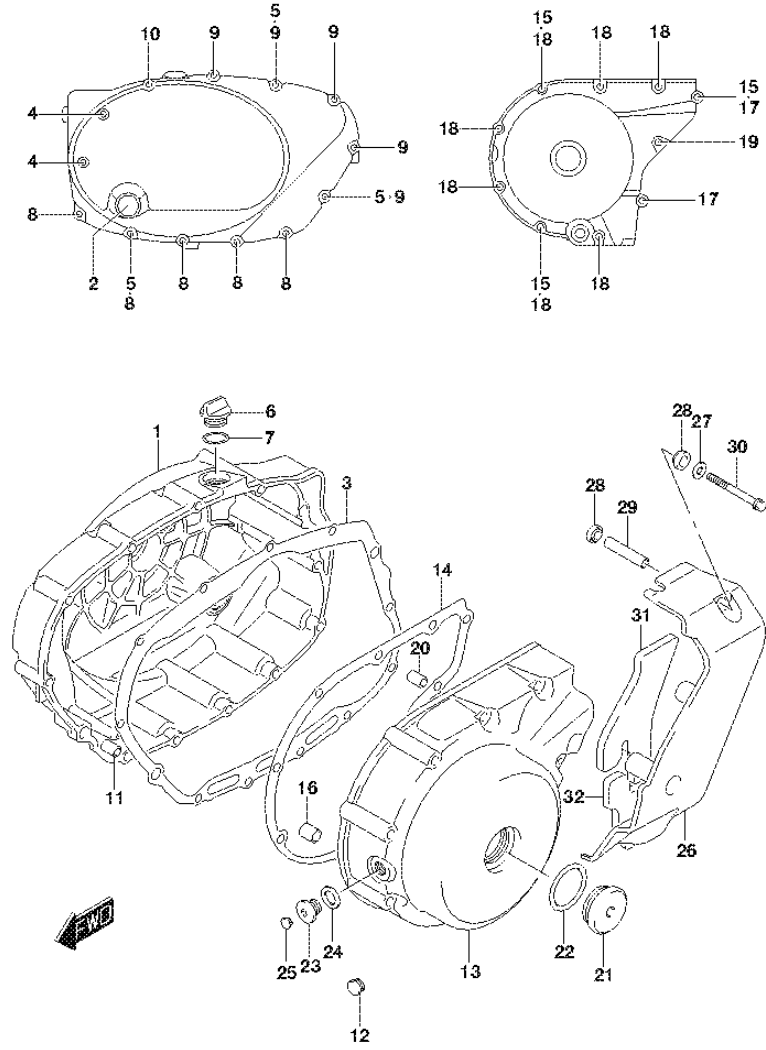
**FIG.108A**



**FIG.108A (1-B-9) CRANKCASE**

REF NO.	PART NO.	DESCRIPTION	Q'TY	REMARKS
26	01550-0860A	.BOLT	1	
27	01550-0855A	.BOLT	1	
28	01550-0865A	.BOLT	1	
29	09103-08105	.BOLT (8X95)	5	
30	01550-0875A	.BOLT	1	
31	01550-0812A	.BOLT	1	
32	09168-08016	.GASKET (8.2X14X1)	1	
33	09247-12011	PLUG (12X20)	1	OIL DRAIN
34	09168-12002	GASKET (12.1X16.2X3.7)	1	
35	09103-10706	BOLT (10X135)	2	
36	09103-10705	BOLT (10X160)	1	
37	09159-10113	NUT	3	
38	11451-38A00	PIPE, OIL GALLERY	1	
39	09280-15008	O RING (D:3.1,ID:14.8)	2	
40	09106-06075	BOLT (6X12)	2	
41	11461-38A00	CLAMP	2	
42	09248-16013	PLUG	1	
43	09168-16002	GASKET (16X22X2)	1	
44	16591-06B01	UNION	1	
45	37820-33D10	SWITCH ASSY, OIL PRESSURE	1	
46	37822-33D00	.BOLT	1	

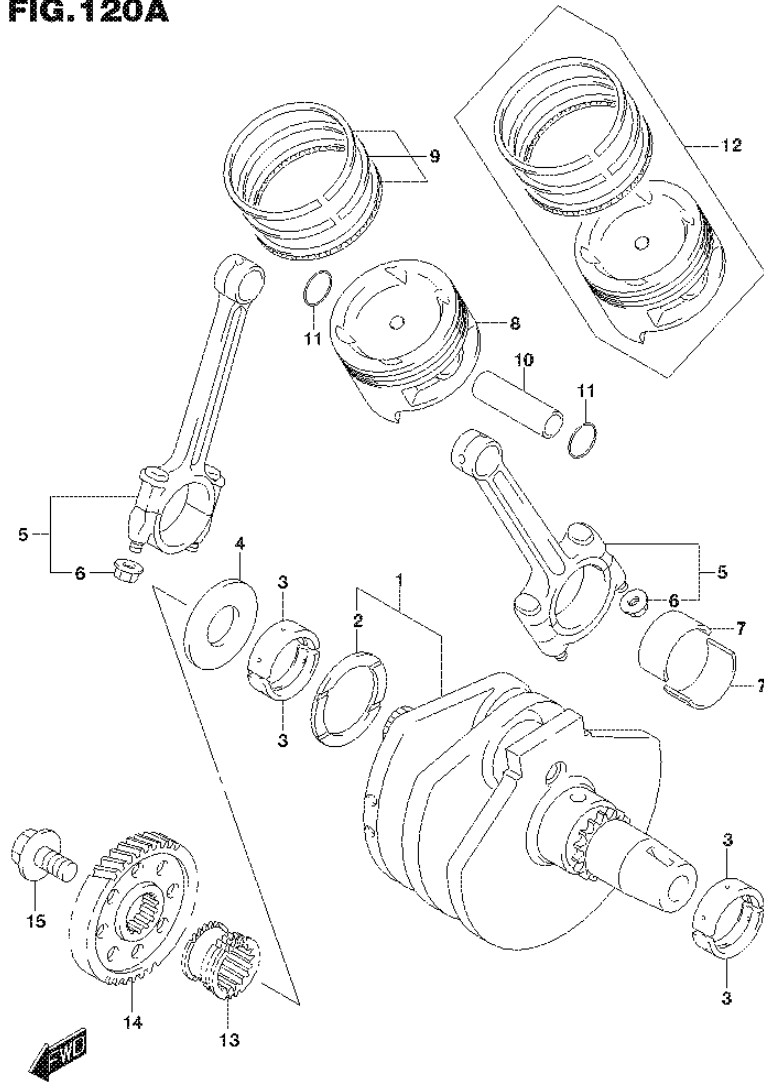
**FIG.112A**



**FIG.112A (1-B-10) CRANKCASE COVER**

REF NO.	PART NO.	DESCRIPTION	Q'TY	REMARKS
1	11340-41F00	COVER, CLUTCH	1	
2	11971-33210	.LENS, OIL LEVEL	1	
3	11482-41F00	GASKET, CLUTCH COVER	1	
4	09103-06270	BOLT (6X105)	2	
5	09168-06023	GASKET (5.8X13X1.2)	3	
6	11971-25D00	PLUG, OIL FILLER	1	
7	09280-17003	O RING (D:3.1,ID:16.8)	1	
8	09103-06213	BOLT (6X30)	5	
9	09103-06238	BOLT (6X50)	5	
10	09103-06226	BOLT (6X85)	1	
11	04211-09189	PIN	2	
12	09250-08013	CAP (OD:12)	2	
13	11351-41F10	COVER, GENERATOR	1	
14	11483-41F00	GASKET, GENERATOR COVER	1	
15	09168-06023	GASKET (5.8X13X1.2)	3	
16	09206-11007	PIN (8.4X11X20)	1	
17	09103-06215	BOLT (6X40)	2	
18	09103-06216	BOLT (6X55)	7	
19	09103-06226	BOLT (6X85)	1	
20	04211-09189	PIN	1	
21	09259-36008	PLUG (36X10)	1	
22	09280-33004	O RING (D:3.1,ID:32.7)	1	
23	09248-14012	PLUG (14X12)	1	
24	09168-14002	GASKET (13.8X18.8X4.8)	1	
25	09250-08012	CAP (OD:12)	1	
26	11361-41F00	COVER, SECONDARY DRIVE	1	
27	09160-06125	WASHER (6.5X14X1.6)	3	
28	09161-09005	WASHER (8.7X16X5)	6	
29	09180-06280	SPACER (6.5X9X41.3)	3	
30	09103-06216	BOLT (6X55)	3	
31	11362-39G00	CUSHION, SEC DRIVE COVER NO.1	1	
32	11363-39G00	CUSHION, SEC DRIVE COVER NO.2	1	

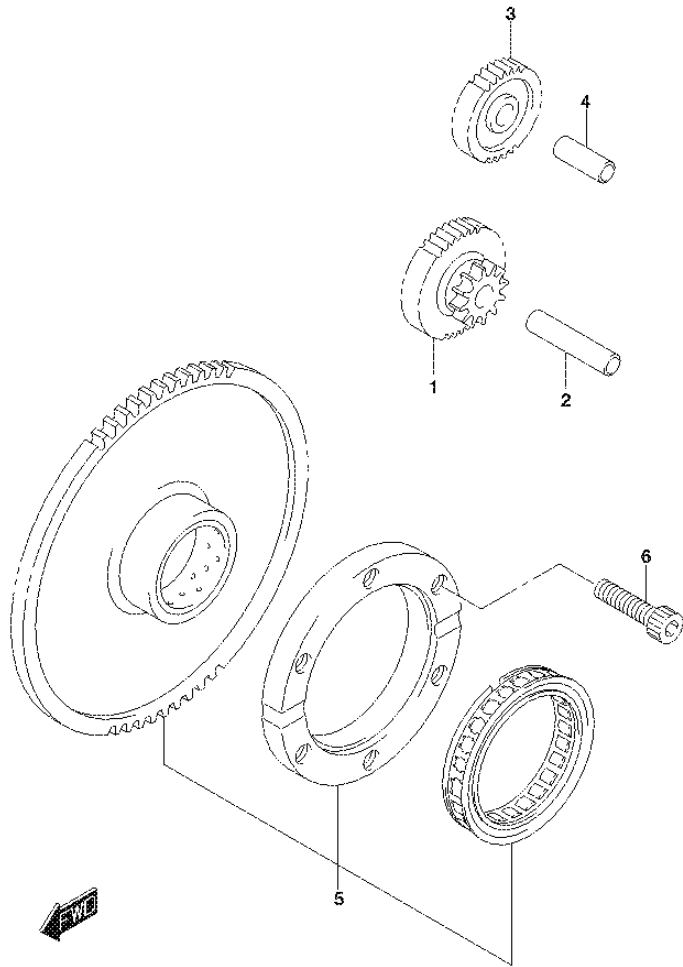
**FIG.120A**



**FIG.120A (1-B-11) CRANKSHAFT**

REF NO.	PART NO.	DESCRIPTION	Q'TY	REMARKS
1	12000-41830	CRANKSHAFT SET	1	
2-1	09160-48001	.WASHER (48.1X64X1.94)	1	
2-2	09160-48002	.WASHER (48.1X64X1.96)	1	
2-3	09160-48003	.WASHER (48.1X64X1.99)	1	
2-4	09160-48004	.WASHER (48.1X64X2.01)	1	
2-5	09160-48005	.WASHER (48.1X64X2.04)	1	
2-6	09160-48006	.WASHER (48.1X64X2.06)	1	
2-7	09160-48007	.WASHER (48.1X64X2.09)	1	
2-8	09160-48008	.WASHER (48.1X64X2.11)	1	
2-9	09160-48009	.WASHER (48.1X64X2.14)	1	
2-10	09160-48010	.WASHER (48.1X64X2.16)	1	
3-1	12229-39G00-0A0	BEARING, CRANKSHAFT (GREEN)	4	
3-2	12229-39G00-0B0	BEARING, CRANKSHAFT (BLACK)	4	
3-3	12229-39G00-0C0	BEARING, CRANKSHAFT (BROWN)	4	
4	12652-38A00	WASHER, CRANK THRUST	1	
5	12160-45C30	ROD ASSY, CONNECTING	2	
6	09159-09001	.NUT	4	
7-1	12164-38E00-0A0	BEARING, CRANK PIN (GREEN)	4	
7-2	12164-38E00-0B0	BEARING, CRANK PIN (BLACK)	4	
7-3	12164-38E00-0C0	BEARING, CRANK PIN (BROWN)	4	
7-4	12164-38E00-0D0	BEARING, CRANK PIN (YELLOW)	4	
7-5	12164-38E00-0E0	BEARING, CRANK PIN (BLUE)	4	
8	12111-41F10-0F0	PISTON	2	
9	12140-41F00	RING SET, PISTON	2	
10	12151-24A00	PIN, PISTON	2	
11	09381-20004	SNAP RING	4	
12	12100-41F10-050	PISTON SET (OS:0.5)	2	OPT
13	12731-38A00	SPROCKET, CAM CHAIN DRIVE RH (NT:21)	1	
14	21111-38A00	GEAR, PRIMARY DRIVE (NT:42)	1	
15	09103-12013	BOLT (12X28)	1	

**FIG.122A**

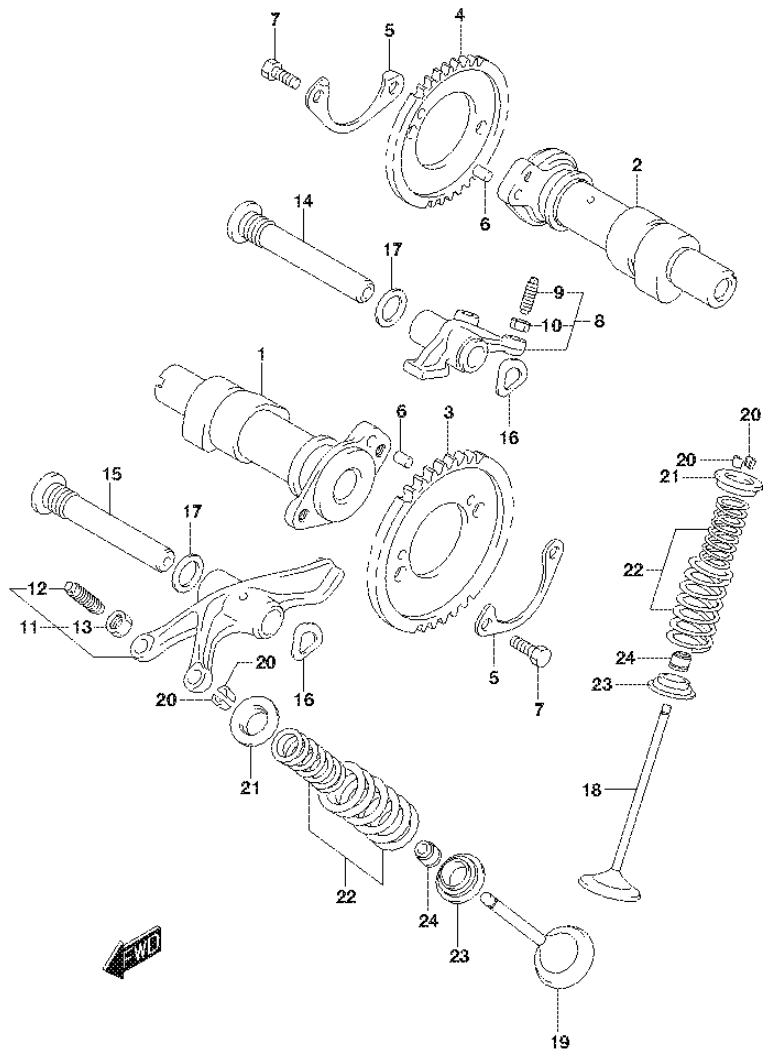


**FIG.122A (1-B-12) STARTER CLUTCH**

REF NO.	PART NO.	DESCRIPTION	Q'TY	REMARKS
1	12611-38A01	GEAR, STARTER IDLE NO.1 (NT:12/41)	1	
2	09202-10008	PIN (10X43)	1	
3	12611-38A11	GEAR, STARTER IDLE NO.2 (NT:32)	1	
4	09202-10006	PIN	1	
5	12600-41851	CLUTCH SET, STARTER (NT:79)	1	
6	09106-08105	BOLT (8X30)	6	



**FIG.126A**



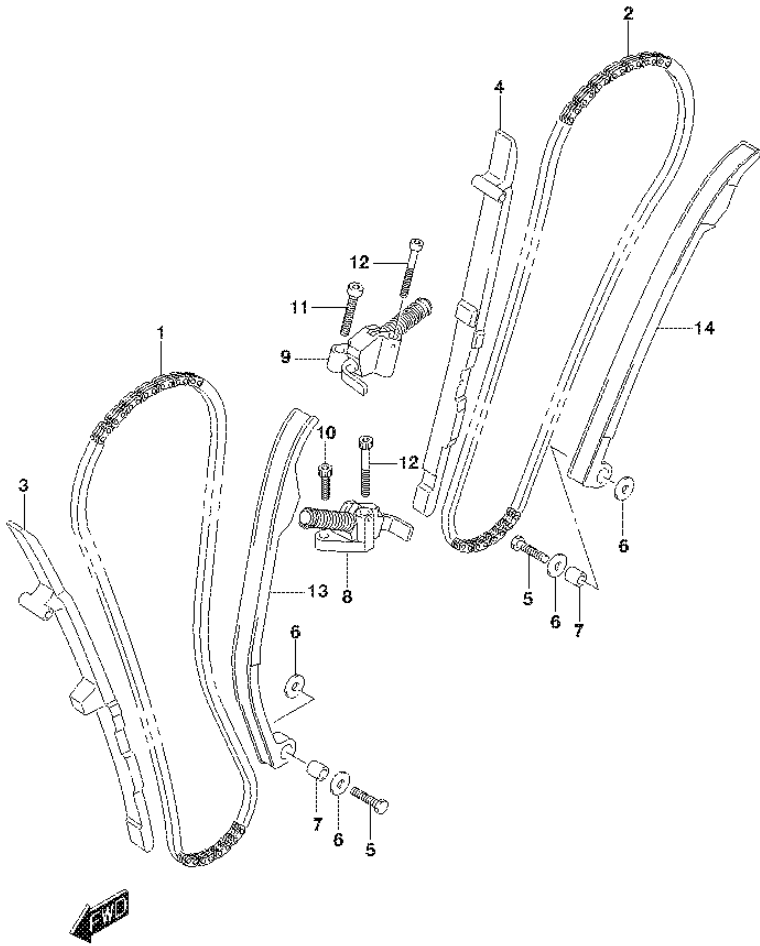
**FIG.126A (1-B-13) CAMSHAFT/VALVE**

REF NO.	PART NO.	DESCRIPTION	Q'TY	REMARKS
1	12711-41F00	CAMSHAFT, FRONT	1	
2	12713-41F00	CAMSHAFT, REAR	1	
3	12741-41F00	SPROCKET, CAMSHAFT FRONT (NT:46)	1	
4	12741-37400	SPROCKET, CAMSHAFT REAR (NT:42)	1	
5	12747-44001	WASHER	2	
6	04221-05109	PIN	2	
7	09100-06169	BOLT (6X12.5)	4	
8	12840-38A11	ARM, VALVE ROCKER INTAKE	2	
9	12842-38A00	.SCREW	4	
10	12843-32400	.NUT	4	
11	12850-38A10	ARM, VALVE ROCKER EXHAUST	2	
12	12842-38A00	.SCREW	4	
13	12843-32400	.NUT	4	
14	12861-39G00	SHAFT, VALVE ROCKER ARM INTAKE	2	
15	12871-39G00	SHAFT, VALVE ROCKER ARM EXHAUST	2	
16	09164-12018	WASHER	4	
17	09168-14002	GASKET (13.8X18.8X4.8)	4	
18	12911-38A03	VALVE, INTAKE	4	
19	12912-38A03	VALVE, EXHAUST	4	
20	12932-24400	COTTER, VALVE	16	
21	12931-33201	RETAINER, SPRING	8	
22	12920-38A00	SPRING SET, VALVE	8	
23	12933-33201	SEAT, SPRING	8	
24	09289-05015	OIL SEAL (5.5X11X8.2)	8	

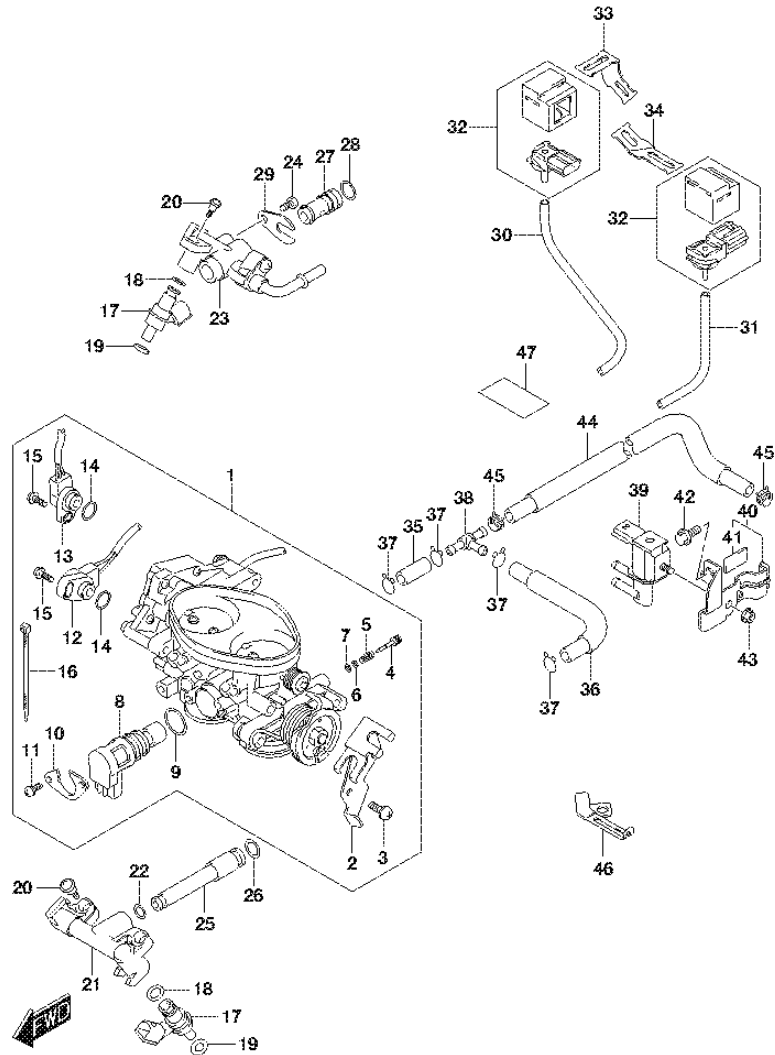
**FIG.127A**

**FIG.127A (1-B-14) CAM CHAIN**

REF NO.	PART NO.	DESCRIPTION	Q'TY	REMARKS
1	12760-41F01	CHAIN, CAM SHAFT DRIVE FRONT (DID SCA-0412A SV X 132LE)	1	
2	12760-38A21	CHAIN, CAM SHAFT DRIVE REAR (DID SCA-0412A SV X 128LE)	1	
3	12772-41F00	GUIDE, CAM CHAIN FRONT	1	
4	12771-41F00	GUIDE, CAM CHAIN REAR	1	
5	09100-06129	BOLT (6X26)	2	
6	08211-06182	WASHER	4	
7	09180-06148	SPACER (6X11X11)	2	
8	12831-38A01	ADJUSTER ASSY, TENSIONER FRONT	1	
9	12832-41F01	ADJUSTER ASSY, TENSIONER REAR	1	
10	07130-0620A	BOLT	1	
11	07130-0630A	BOLT	1	
12	07130-0645A	BOLT	2	
13	12811-41F00	TENSIONER, CAM CHAIN FRONT	1	
14	12816-38A01	TENSIONER, CAM CHAIN REAR	1	



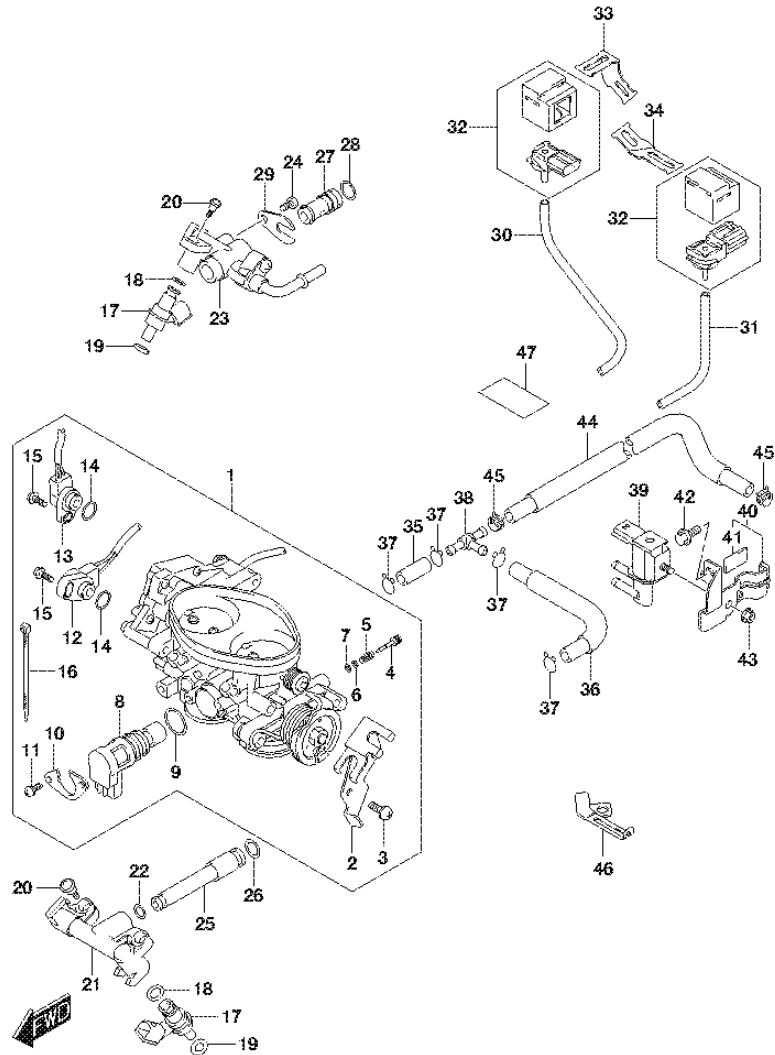
**FIG.140A**



**FIG.140A (1-B-15) THROTTLE BODY**

REF NO.	PART NO.	DESCRIPTION	Q'TY	REMARKS
1	13401-41F32	BODY, THROTTLE	1	
2	13565-41F20	.PLATE, STAY	1	
3	13601-21H00	.SCREW	2	
4	13269-18G00	.SCREW	2	
5	13271-43E00	.SPRING	2	
6	13291-26E00	.WASHER	2	
7	13295-26E00	.O RING	2	
8	18117-15H12	.VALVE ASSY, ISC	1	
9	18119-05H00	.O RING	1	
10	13428-15H00	.PLATE, ISC VALVE	1	
11	13605-15H00	.SCREW	2	
12	13580-40F21	.SENSOR ASSY, MAIN	1	
13	13580-41F01	.SENSOR ASSY, SUB	1	
14	13575-40F00	.O RING	2	
15	13605-40F00	.SCREW	2	
16	09407-14407	.CLAMP (L:145)	1	
17	15710-26GB0	INJECTOR ASSY	2	
18	15721-21H00	O RING	2	
19	15722-21H00	RING, SEAL	2	
20	13602-34F50	SCREW	4	
21	13473-41FA0	PIPE SET, FUEL FR	1	
22	15721-24F00	O RING	1	
23	13473-41FB0	PIPE SET, FUEL RR	1	
24	13602-10F10	SCREW	1	
25	13473-41FC0	JOINT	1	
26	15721-10G00	O RING	1	
27	13474-41F20	PLUG, STRAIGHT	1	
28	15721-41F20	O RING	1	
29	13475-41F20	PLATE	1	
30	13683-41FA0	HOSE	1	
31	13683-41FD0	TUBE, RUBBER	1	
32	18590-32G00	SENSOR, PRESSURE	2	

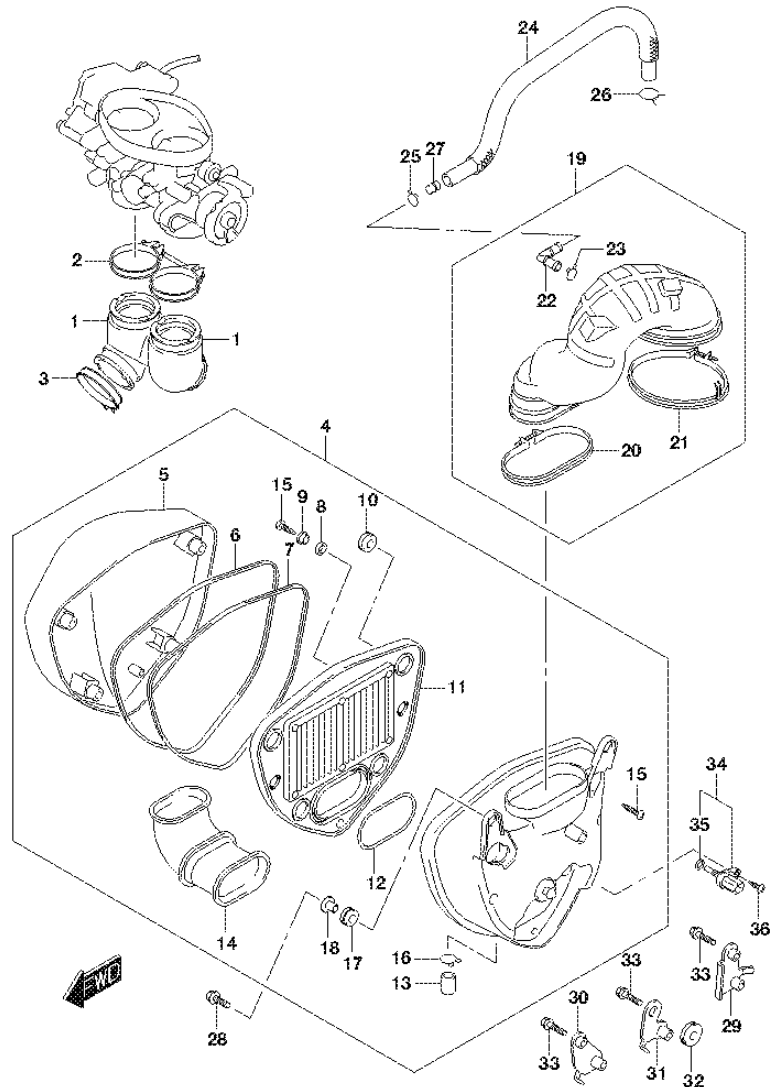
**FIG.140A**



**FIG.140A (1-C-2) THROTTLE BODY**

REF NO.	PART NO.	DESCRIPTION	Q'TY	REMARKS
33	18598-41F00	BRACKET, BOOST SENSOR FR	1	
34	18599-39G00	BRACKET, BOOST SENSOR RR	1	
35	13683-41FC1	HOSE	1	
36	13682-41F30	TUBE, RUBBER	1	
37	13693-24F00	CLIP	4	
38	13685-48B00	JOINT	1	
39	18117-52G00	VALVE, CANISTER	1	
40	18119-39G00	BRACKET, VALVE	1	
41	44894-24A00	.CUSHION	1	
42	01550-0612A	BOLT	1	
43	08316-1006A	NUT	1	
44	13680-39G00	HOSE, CANISTER PURGE	1	
45	09401-10409	CLIP	2	
46	44480-41F00	CLAMP	1	
47	36611-16G00	TAPE, PURGE HOSE	1	

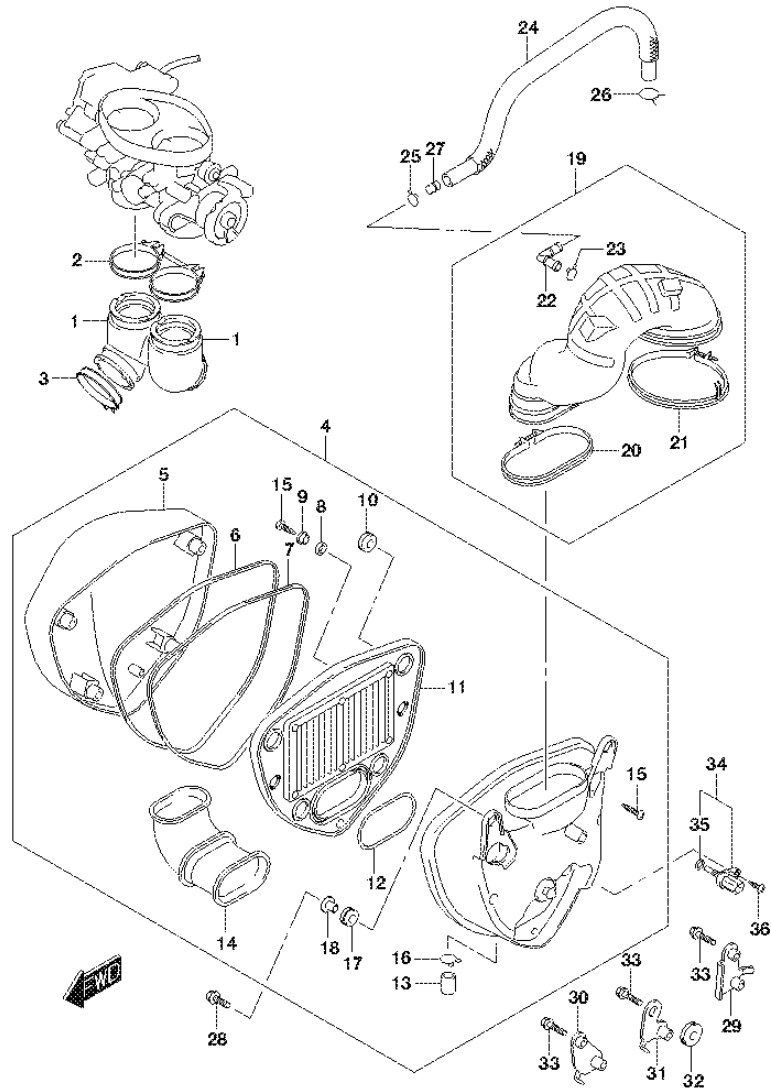
**FIG.155A**



**FIG.155A (1-C-3) AIR CLEANER**

REF NO.	PART NO.	DESCRIPTION	Q'TY	REMARKS
1	13111-41F11	PIPE, INTAKE	2	
2	13170-39G00	CLAMP	1	
3	13170-15G00	CLAMP	2	
4	13701-39G20	CASE ASSY	1	
5	13741-39G20	.CAP	1	
6	13727-39G20	.GASKET	1	
7	13726-39G20	.GASKET	1	
8	13747-39G20	.CUSHION	4	
9	09169-06082	.WASHER	4	
10	13747-41F00	.CUSHION	4	
11	13780-39G20	.FILTER	1	
12	13746-39G20	.GASKET, FILTER	1	
13	13859-41B10	.PLUG	1	
14	13891-39G20	.TUBE, INLET	1	
15	03541-0525B	.SCREW	8	
16	09401-14301	.CLIP	1	
17	09320-09016	.CUSHION	2	
18	13812-29C50	.COLLAR	2	
19	13880-39G21	TUBE ASSY, OUTLET	1	
20	13826-41F20	.CLAMP	1	
21	13826-39G21	.CLAMP	1	
22	13858-14D20	.JOINT	1	
23	09401-15101	.CLIP	1	
24	13853-39G20	TUBE, BREATHER	1	
25	09401-15101	CLIP	1	
26	09401-16301	CLIP	1	
27	13859-14D40	JET	1	
28	09139-06056	SCREW (6X20)	2	
29	13761-39G20	BRACKET, NO.1	1	
30	13762-39G20	BRACKET, NO.2	1	
31	13763-39G20	BRACKET, NO.3	1	
32	09320-08028	CUSHION	1	
33	01547-0625A	BOLT	3	

**FIG.155A**

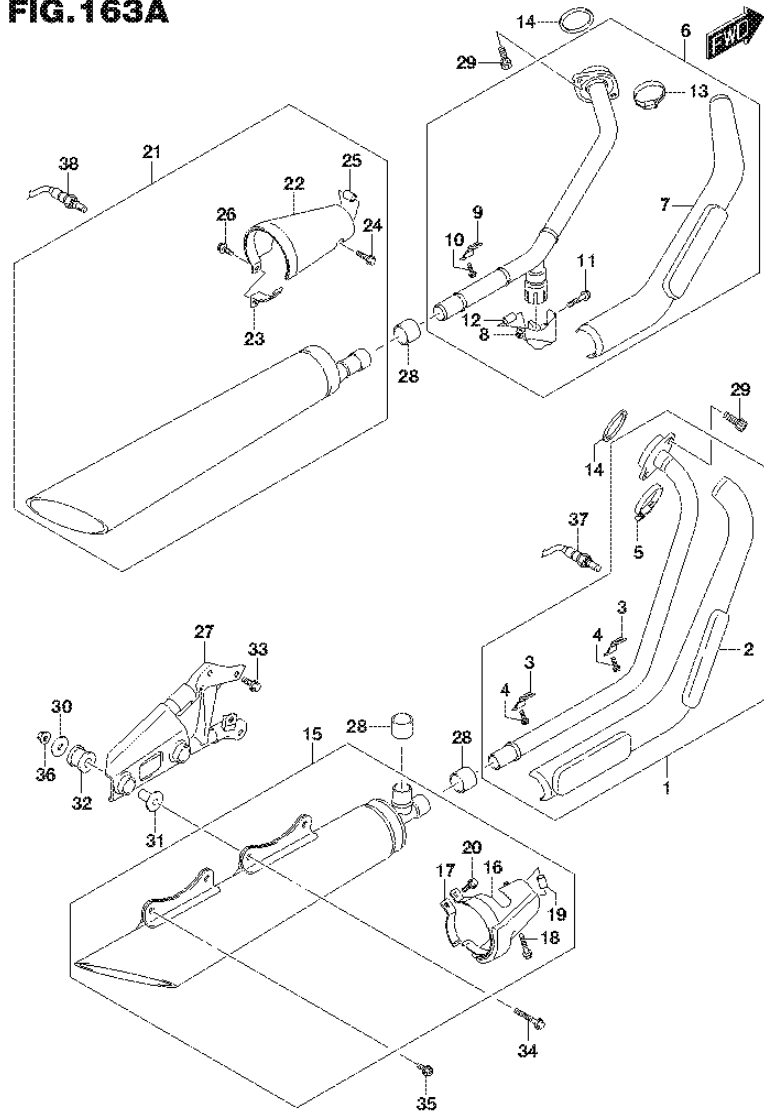


**FIG.155A (1-C-4) AIR CLEANER**

REF NO.	PART NO.	DESCRIPTION	Q'TY	REMARKS
34	13650-41F10	SENSOR, AIR TEMP	1	
35	13655-41F10	.O RING	1	
36	03511-0516B	SCREW	1	

**FIG.163A**

**FIG.163A (1-C-5) MUFFLER**

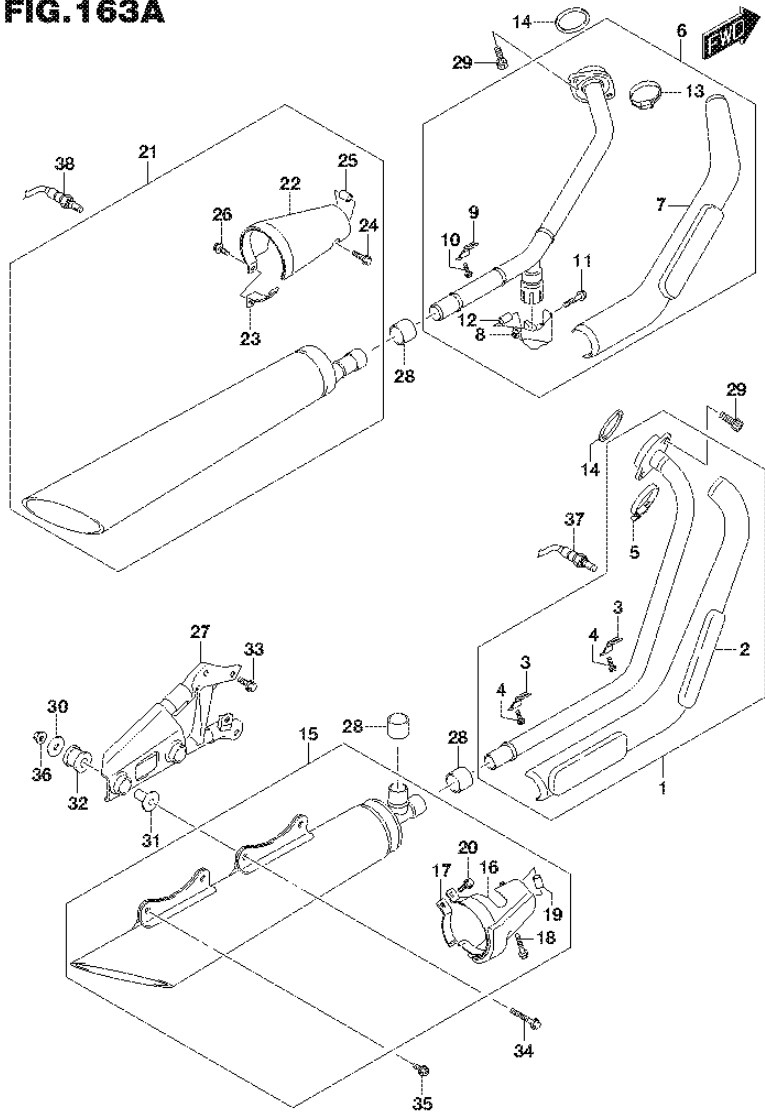


REF NO.	PART NO.	DESCRIPTION	Q'TY	REMARKS
1	14150-39G10	PIPE, EXHAUST FR	1	
2	14193-39G00	.COVER	1	
3	14185-41F00	.CLAMP	2	
4	07120-0616A	.BOLT	2	
5	14185-39G00	.BAND	1	
6	14160-39G00	PIPE, EXHAUST RR	1	
7	14194-39G00	.COVER	1	
8	14195-39G00	.CLAMP, CONNECTOR	1	
9	14185-41F00	.CLAMP	1	
10	07120-0616A	.BOLT	1	
11	09103-08365	.BOLT (8X35)	1	
12	14167-22H00	.SPACER	1	
13	14185-39G00	.BAND	1	
14	14181-10F00	GASKET, EXHAUST	2	
15	14310-39G10-H01	MUFFLER, FR	1	
16	14344-39G00	.COVER	1	
17	14399-22H00	.CLAMP	1	
18	09103-08365	.BOLT (8X35)	1	
19	14167-22H00	.SPACER	1	
20	07120-0616A	.BOLT	1	
21	14340-39G10-H01	MUFFLER, RR	1	
22	14345-39G00	.COVER	1	
23	14399-22H00	.CLAMP	1	
24	09103-08365	.BOLT (8X35)	1	
25	14167-22H00	.SPACER	1	
26	07120-0616A	.BOLT	1	
27	14410-39G00	BRACKET	1	
28	14771-39G00	CONNECTOR	3	
29	09106-08178	BOLT (8X25)	4	
30	09160-08146	WASHER (8.5X33X1.5)	2	
31	09180-08156	SPACER (8.6X12X27.1)	2	
32	09320-12049	CUSHION	2	
33	09103-08283-A05	BOLT (8X16)	3	
34	01550-0845B	BOLT	2	

**FIG.163A**

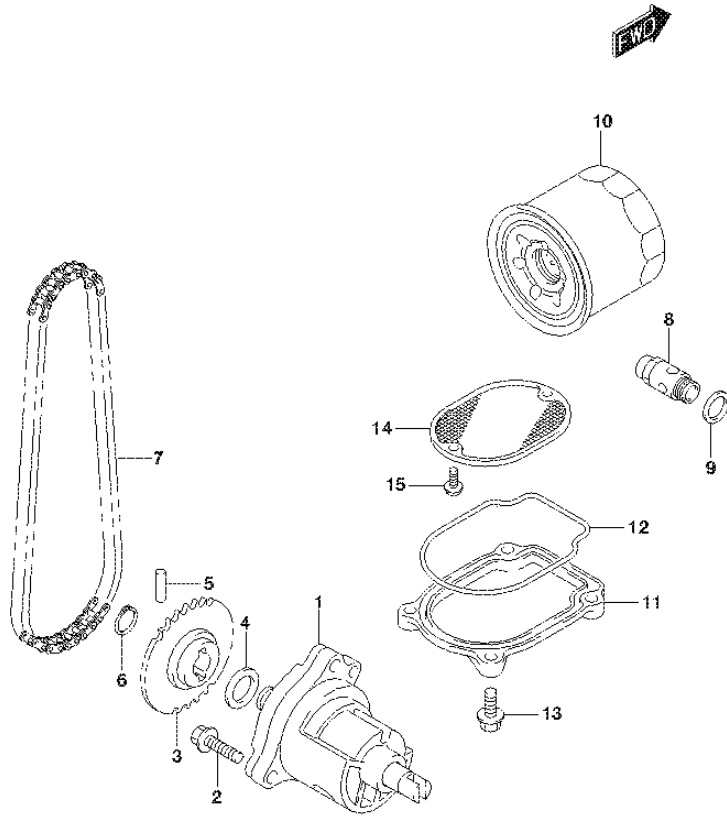
**FIG.163A (1-C-6) MUFFLER**

REF NO.	PART NO.	DESCRIPTION	Q'TY	REMARKS
35	09106-08107	BOLT (8X20)	2	
36	08361-2508A	NUT	2	
37	18213-15H10	SENSOR, OXY FR	1	
38	18213-23H20	SENSOR, OXY RR	1	





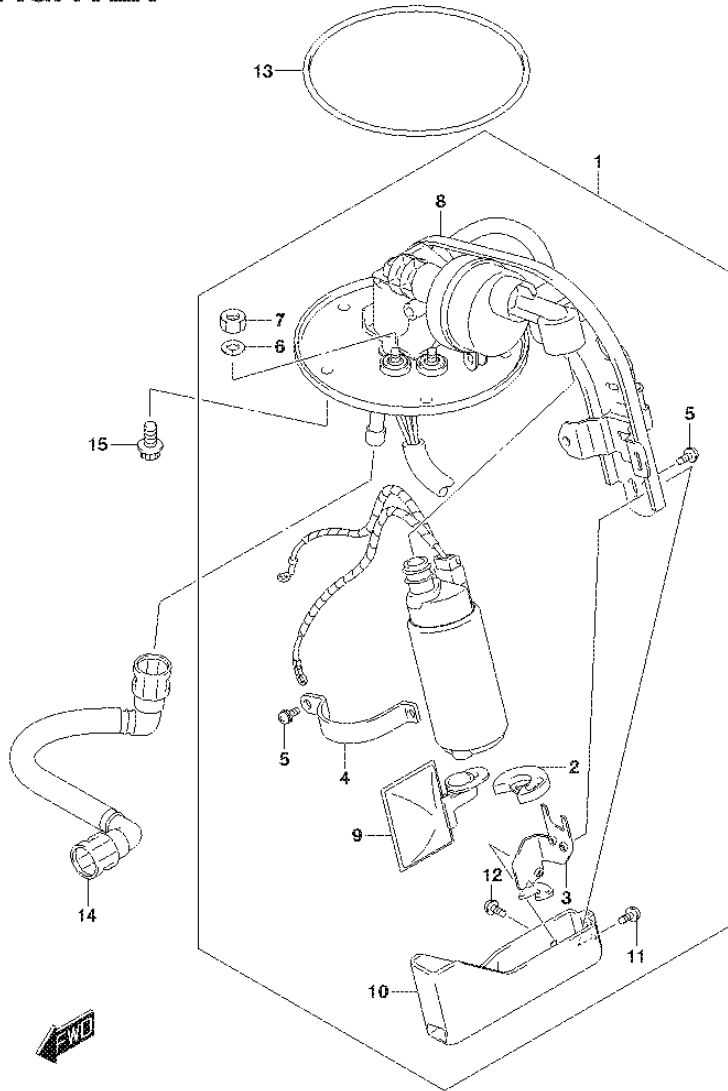
**FIG.170A**



**FIG.170A (1-C-7) OIL PUMP**

REF NO.	PART NO.	DESCRIPTION	Q'TY	REMARKS
1	16400-38A01	PUMP ASSY, ENG OIL	1	
2	01547-0625A	BOLT	3	
3	16331-38A10	SPROCKET, OIL PUMP DRIVEN (NT:29)	1	
4	09181-12158	SHIM (12X20X0.5)	1	
5	09261-05006	PIN (5X18)	1	
6	08331-3112A	CIRCLIP	1	
7	16310-38A00	CHAIN ASSY, OIL PUMP DR (DID 25H)	1	
8	16440-17C20	VALVE ASSY, OIL RELIEF	1	
9	09168-16002	GASKET (16X22X2)	1	
10	16510-07J00	FILTER ASSY, ENGINE OIL	1	
11	16523-38A00	CAP, OIL STRAINER	1	
12	16528-38A00	O RING, OIL STRAINER CA	1	
13	01547-0620A	BOLT	4	
14	16520-38A10	STRAINER, ENG OIL	1	
15	02112-7512A	SCREW	2	

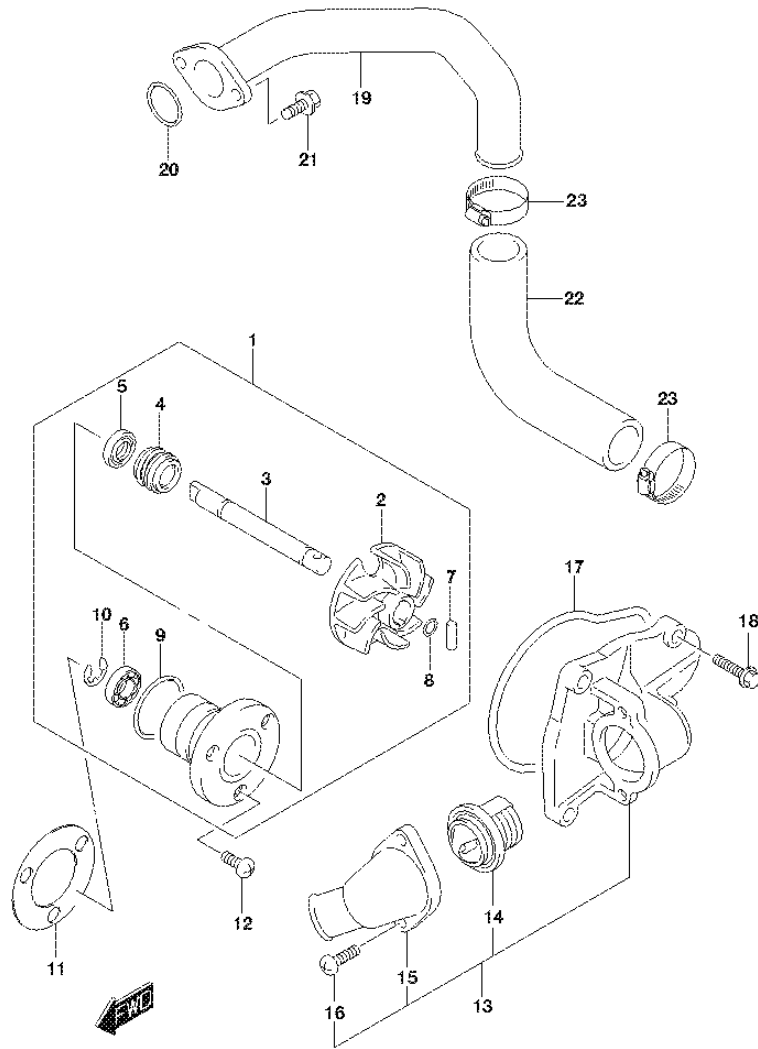
**FIG.172A**



**FIG.172A (1-C-8) FUEL PUMP**

REF NO.	PART NO.	DESCRIPTION	Q'TY	REMARKS
1	15100-41F30	PUMP ASSY, FUEL	1	
2	15111-41F10	.CUSHION	1	
3	15112-41F10	.HOLDER	1	
4	15115-10F00	.BAND, FUEL PUMP	1	
5	15116-10F10	.SCREW	2	
6	15172-35F00	.SPRING WASHER	1	
7	15173-35F00	.NUT	1	
8	15410-41F30	.PLATE ASSY	1	
9	15420-41F10	.STRAINER	1	
10	15425-41F10	.VESSEL	1	
11	15429-41F10	.SCREW	1	
12	15429-41F20	.SCREW	1	
13	15201-35F00	O RING, FUEL PUMP	1	
14	15810-39G03	HOSE, FUEL	1	
15	07120-0612A	BOLT	5	

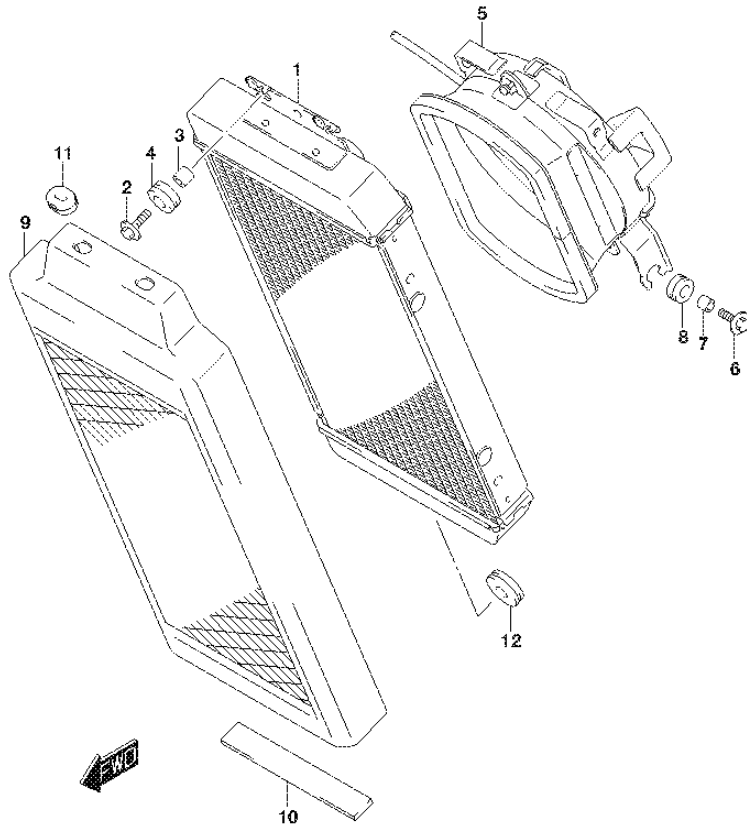
**FIG.180A**



**FIG.180A (1-C-9) WATER PUMP**

REF NO.	PART NO.	DESCRIPTION	Q'TY	REMARKS
1	17400-38A10	PUMP ASSY, WATER	1	
2	17491-38A00	.IMPELLER	1	
3	17511-38A00	.SHAFT	1	
4	17470-02F10	.SEAL, MECHANICAL	1	
5	09283-10004	.OIL SEAL (10X21X5)	1	
6	09262-10004	.BEARING (10X22X6)	1	
7	17516-38A00	.PIN	1	
8	17515-38A00	.O RING	1	
9	17417-38A00	.O RING	1	
10	08332-1108A	.E RING	1	
11	17431-38A10	GASKET, WATER PUMP	1	
12	02112-0612B	SCREW	3	
13	17410-41F30	CAP ASSY, WATER PUMP	1	
14	17670-33400	.THERMOSTAT, WATER	1	
15	17412-41F00	.CONNECTOR	1	
16	02112-0616A	.SCREW	2	
17	17435-38A00	O RING	1	
18	01547-0620A	BOLT	4	
19	17890-41F00	PIPE, CYLINDER IN	1	
20	09280-24007	O RING (D:2.3,ID:24.4)	1	
21	01547-0616A	BOLT	2	
22	17858-38A10	HOSE, WATER PUMP OUT	1	
23	09402-32512	CLAMP	2	

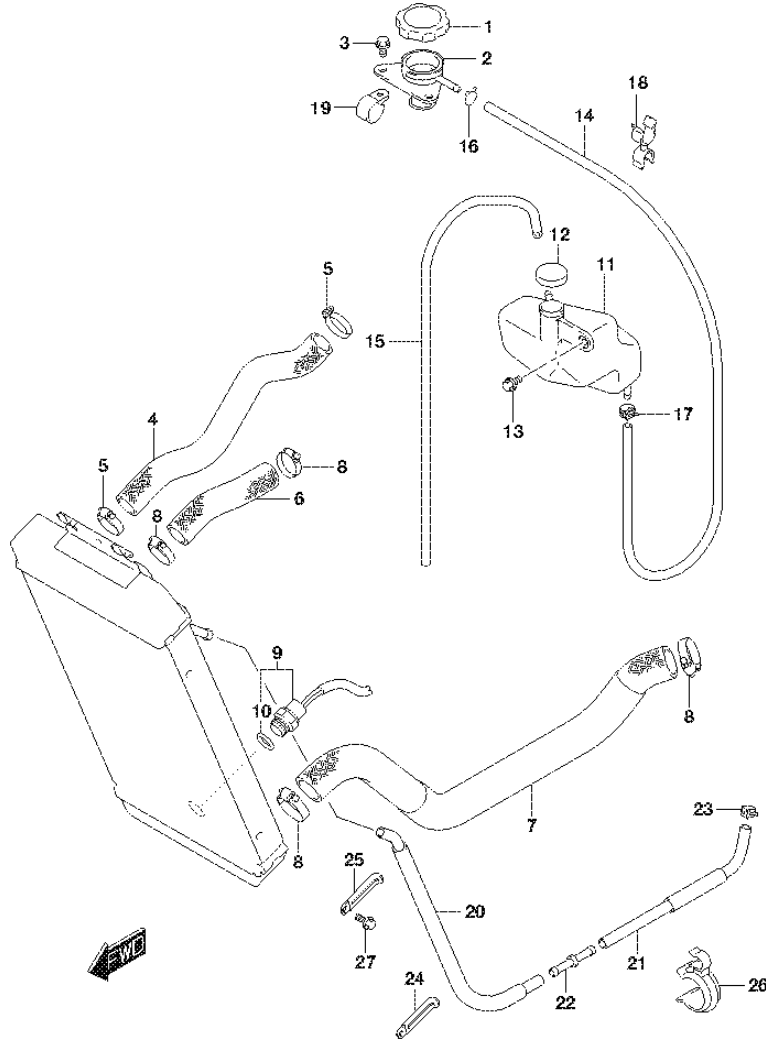
**FIG.185A**



**FIG.185A (1-C-10) RADIATOR**

REF NO.	PART NO.	DESCRIPTION	Q'TY	REMARKS
1	17710-41F20	RADIATOR ASSY, WATER	1	
2	09116-06201	BOLT (6X20)	3	
3	09180-06310	SPACER (6.5X10X10)	3	
4	09320-10501	CUSHION	3	
5	17800-41F20	FAN ASSY, RADIATOR	1	
6	09116-06201	BOLT (6X20)	3	
7	09180-06310	SPACER (6.5X10X10)	3	
8	09320-10055	CUSHION	3	
9	17760-41F00	COVER, RADIATOR	1	
10	17798-39G00	CUSHION, INNER	2	CUT AS REQUIRED
11	09320-03004	CUSHION	2	
12	09320-08028	CUSHION	1	

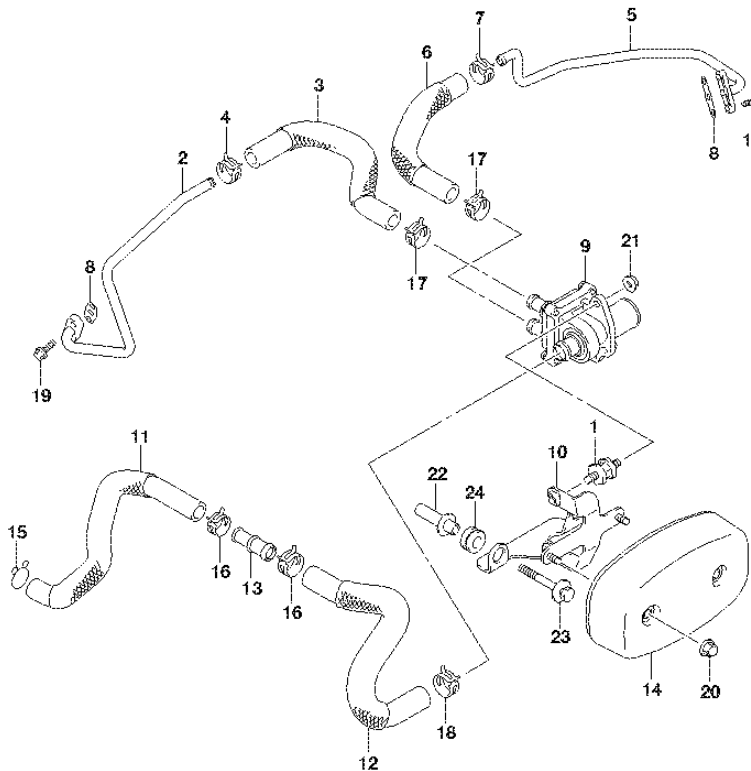
**FIG.187A**



**FIG.187A (1-C-11) RADIATOR HOSE**

REF NO.	PART NO.	DESCRIPTION	Q'TY	REMARKS
1	17730-12C30	CAP, RADIATOR, 1.1	1	
2	17791-24D00	CONDUCTION	1	
3	01547-0616A	BOLT	1	
4	17853-41F00	HOSE, CONDUCTION	1	
5	09402-28513	CLAMP	2	
6	17851-41F00	HOSE, RADIATOR INLET	1	
7	17852-41F02	HOSE, RADIATOR OUTLET	1	
8	09402-32512	CLAMP	4	
9	17680-33E00	SWITCH, RADIATOR FAN	1	
10	17689-50F00	.O RING	1	
11	17911-41F11	RESERVOIR TANK	1	
12	17932-12C00	CAP, RESERVOIR TANK	1	
13	09111-06085	BOLT (6X12)	2	
14	17981-41F11	HOSE, INLET	1	
15	17981-19F00	HOSE, OUTLET	1	
16	09401-08410	CLIP	1	
17	09401-08411	CLIP	1	
18	09408-00078	CLAMP	1	
19	09403-08404	CLAMP	1	
20	17855-41F00	HOSE, WATER BYPASS	1	
21	17856-41F00	HOSE, WATER BYPASS	1	
22	09367-08001	JOINT	1	
23	09401-12405	CLIP	4	
24	09404-08419	CLAMP (L:80)	1	
25	09404-10205	CLAMP (L:82)	1	
26	09408-00177	CLAMP	2	
27	09103-10393	BOLT (10X16)	1	

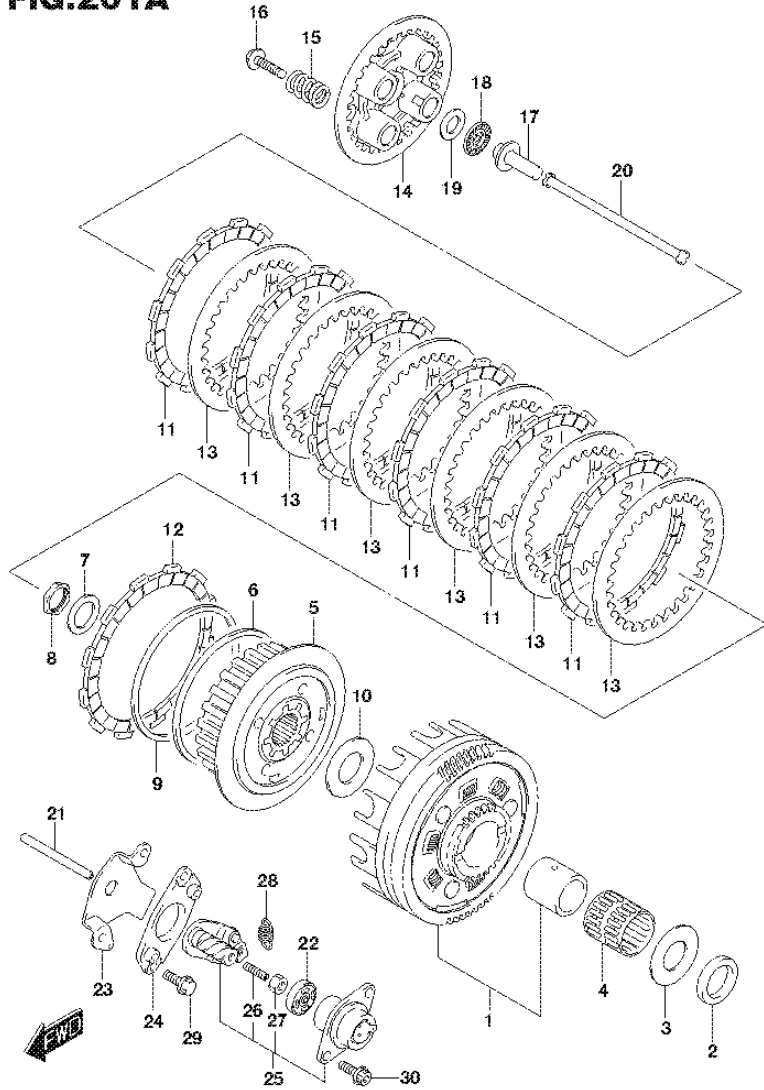
**FIG.189A**



**FIG.189A (1-C-12) 2ND AIR**

REF NO.	PART NO.	DESCRIPTION	Q'TY	REMARKS
1	18487-39G00	BOLT, 2ND AIR VALVE CUSHION	2	
2	18410-41F30	PIPE, 2ND AIR FR	1	
3	18461-39G00	HOSE, 2ND AIR VALVE FR	1	
4	09401-15407	CLIP	1	
5	18420-41F30	PIPE, 2ND AIR RR	1	
6	18471-39G00	HOSE, 2ND AIR VALVE RR	1	
7	09401-15407	CLIP	1	
8	18441-45C01	GASKET, 2ND AIR PIPE	2	
9	18450-39G01	VALVE ASSY, 2ND AIR	1	
10	18610-39G00	BRACKET, 2ND AIR S	1	
11	18711-39G00	HOSE, 2ND AIR CLNR	1	
12	18712-39G00	HOSE, 2ND AIR CLNR	1	
13	18713-39G00	JOINT	1	
14	18780-41F20	COVER, 2ND AIR VALVE	1	
15	09401-15101	CLIP	1	
16	09401-16407	CLIP	2	
17	09401-18406	CLIP	2	
18	09401-20405	CLIP	1	
19	01547-0616A	BOLT	4	
20	08313-2006A	NUT	2	
21	08316-1006B	NUT	2	
22	18620-41F00	SPACER, 2ND AIR BRACKET	2	
23	09116-06183	BOLT (6X55)	2	
24	09320-10015	CUSHION	2	

**FIG.201A**



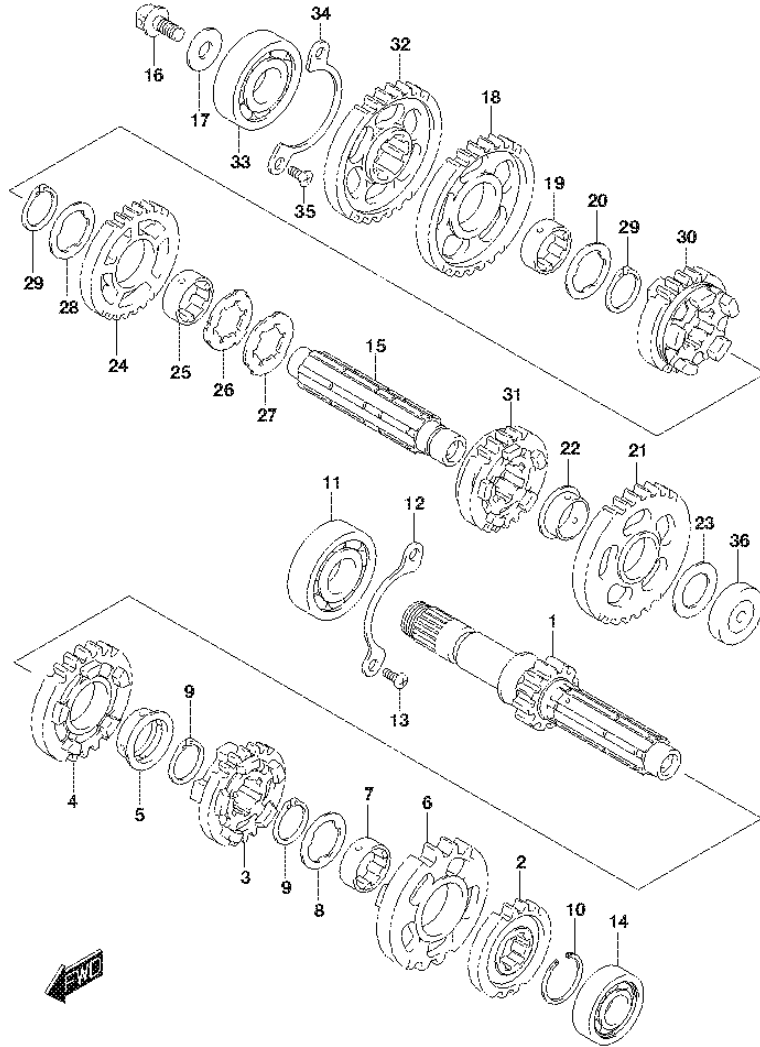
VL800L6\_E14\_201A  
CLUTCH

**FIG.201A (1-C-13) CLUTCH**

REF NO.	PART NO.	DESCRIPTION	Q'TY	REMARKS
1	21200-38840	GEAR, PRIMARY DRIVEN (NT:71)	1	
2	09180-25077	SPACER (25X38X6.5)	1	
3	09160-25055	WASHER (25X50X2.5)	1	
4	09263-35017	BEARING (35X40X35.8)	1	
5	21410-41F00	HUB, SLEEVE	1	
6	21471-37400	SEAT, WAVE WASHER	1	
7	09164-22007	WASHER	1	
8	09140-22008	NUT	1	
9	09164-00004	WASHER	1	
10	09160-25055	WASHER (25X50X2.5)	1	
11	21441-37400	PLATE, DRIVE NO.1 (T:3.0)	6	
12	21442-37401	PLATE, CLUTCH DRIVE NO.2 (T:3.5)	1	
13	21451-14A00	PLATE, DRIVEN (T:1.6)	6	
14	21462-27A00	DISC, PRESSURE	1	
15	21413-41F00	SPRING, CLUTCH	4	
16	09116-06203	BOLT (6X30)	4	
17	23121-31E00	PIECE, PUSH	1	
18	09263-15003	BEARING (15X28X2)	1	
19	09160-15045	WASHER (15.5X28X1)	1	
20	23110-27A00	ROD, PUSH RH	1	
21	23111-45C00	ROD, PUSH LH	1	
22	09283-06010	OIL SEAL (6X34X10.5)	1	
23	23117-45C00	RETAINER	1	
24	23130-45C00	BRACKET, RELEASE SCREW	1	
25	23200-41F00	SCREW ASSY, CLUTCH RELEASE	1	
26	09134-06010	.SCREW (6X25)	1	
27	08310-00067	.NUT	1	
28	09443-09050	SPRING	1	
29	07120-0620A	BOLT	2	
30	07120-0616A	BOLT	2	

VL800L6\_E14

**FIG.206A**

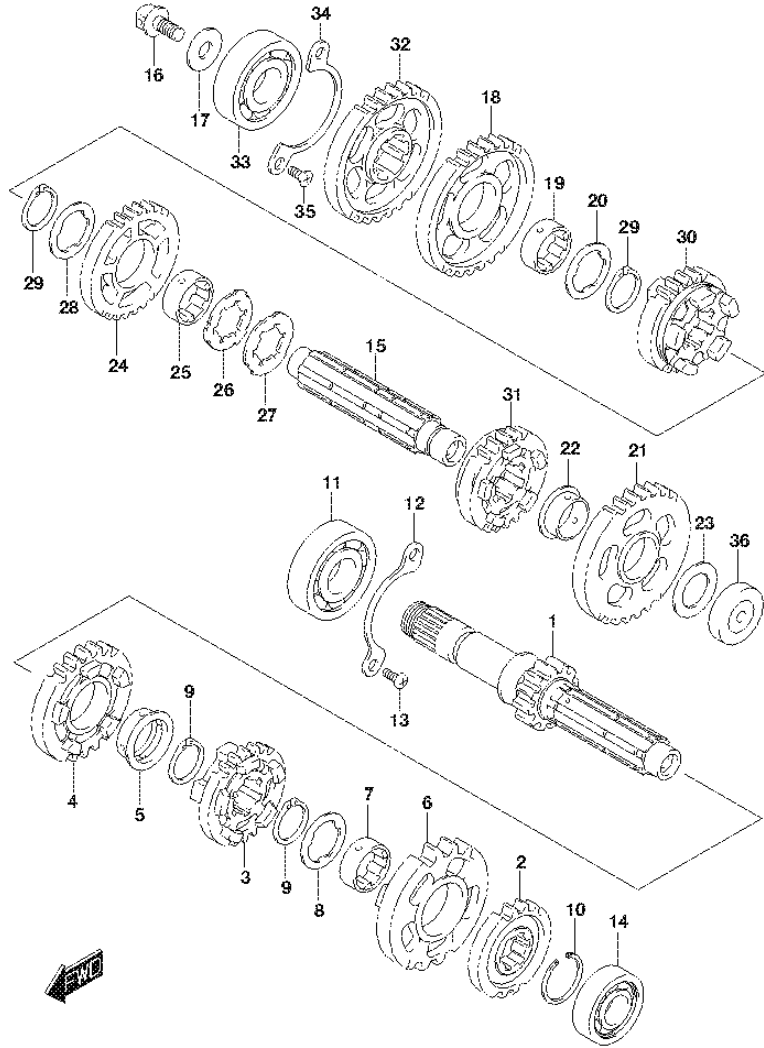


**FIG.206A (1-C-14) TRANSMISSION**

REF NO.	PART NO.	DESCRIPTION	Q'TY	REMARKS
1	24120-41F00	SHAFT, COUNTER (NT:13)	1	
2	24221-38A01	GEAR, 2ND DRIVE (NT:19)	1	
3	24231-41F00	GEAR, 3RD DRIVE (NT:22)	1	
4	24241-41F00	GEAR, 4TH DRIVE (NT:25)	1	
5	24322-19F00	BUSH, 4TH	1	
6	24251-41F00	GEAR, 5TH DRIVE (NT:27)	1	
7	24252-38A10	BUSH, 5TH	1	
8	09167-25016	LOCK WASHER	1	
9	09380-25003	SNAP RING	2	
10	09380-25014	CIRCLIP	1	
11	09262-25080	BEARING (25X62X17)	1	RH
12	24741-38A00	RETAINER	1	
13	09125-06122	SCREW (6X12)	2	
14	09262-20139	BEARING (20X47X14)	1	LH
15	24131-38A03	DRIVE SHAFT	1	
16	24135-38A02	NOZZLE	1	
17	08211-10305	WASHER	1	
18	24311-41F00	GEAR, 1ST DRIVEN (NT:32)	1	
19	24332-07A00	BUSH	1	
20	09167-28001	LOCK WASHER	1	
21	24321-41F00	GEAR, 2ND DRIVEN (NT:31)	1	
22	09301-22002	BUSH	1	
23	09181-20251	SHIM (20X34X1)	1	
24	24331-41F00	GEAR, 3RD DRIVEN (NT:27)	1	
25	24332-07A00	BUSH	1	
26	09169-28001	WASHER	1	RH
27	09167-28002	LOCK WASHER	1	LH
28	09167-28001	LOCK WASHER	1	
29	08331-31289	CIRCLIP	2	
30	24341-41F00	GEAR, 4TH DRIVEN (NT:25)	1	
31	24351-41F00	GEAR, 5TH DRIVEN (NT:22)	1	
32	24621-38A00	GEAR, REDUCTION DRIVE (NT:30)	1	
33	09262-20073	BEARING (20X52X15)	1	RH
34	24751-38A00	RETAINER	1	



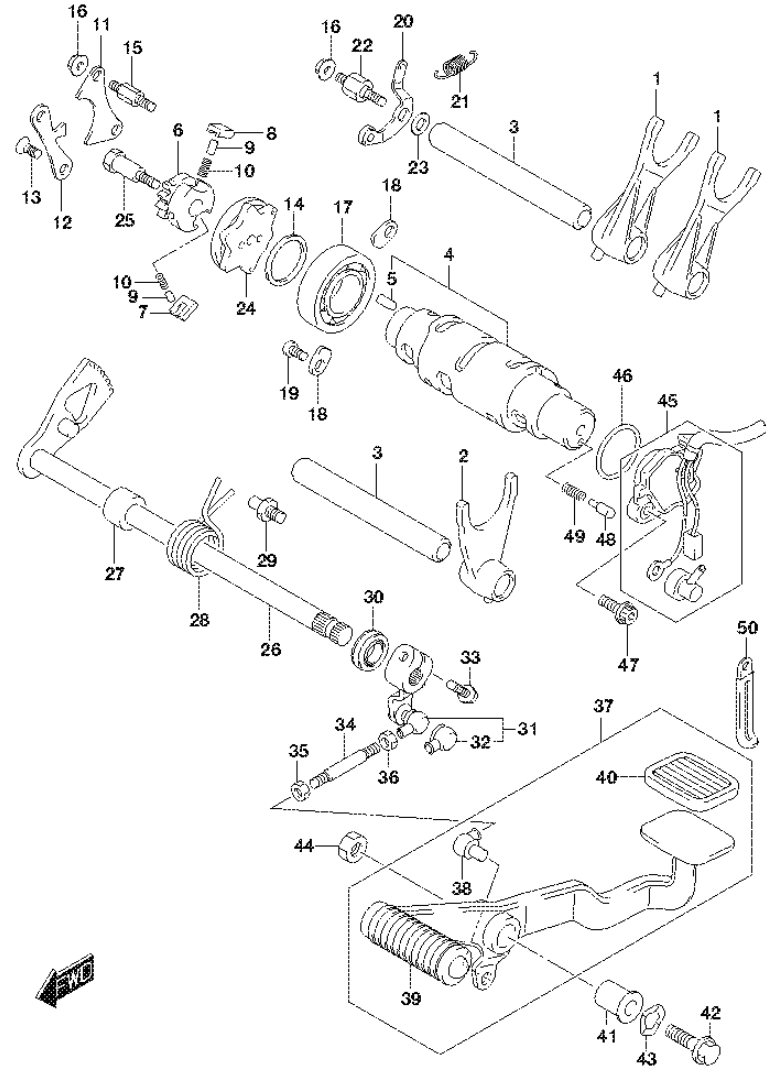
**FIG.206A**



**FIG.206A (1-C-15) TRANSMISSION**

REF NO.	PART NO.	DESCRIPTION	Q'TY	REMARKS
35	09126-06011	SCREW (6X12)	2	
36	09262-20080	BEARING (20X52X15)	1	LH

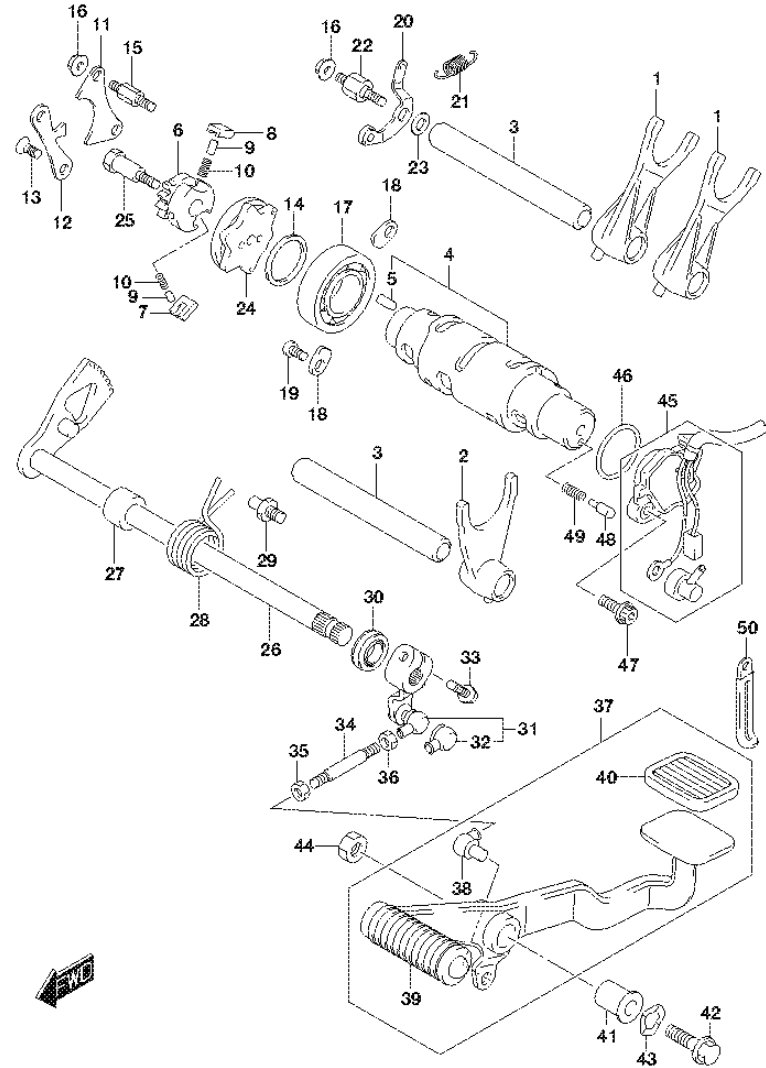
**FIG.212A**



**FIG.212A (1-D-2) GEAR SHIFTING**

REF NO.	PART NO.	DESCRIPTION	Q'TY	REMARKS
1	25211-38A10	FORK, GEAR SHIFTING NO.1	2	
2	25221-38A10	FORK, GEAR SHIFTING NO.2	1	
3	25411-38A00	SHAFT, GEAR SHIFTING FORK	2	
4	25310-41F00	CAM, GEAR SHIFTING	1	
5	04221-04089	.PIN	2	
6	25322-31310	GEAR, CAM DRIVEN	1	
7	25323-34201	PAWL, NO.1	1	
8	25324-34201	PAWL, NO.2	1	
9	09261-05003	PIN (5X8)	2	
10	09440-04003	SPRING	2	
11	25331-38A00	LIFTER, PAWL	1	
12	25341-38A00	GUIDE, CAM	1	
13	09126-06011	SCREW (6X12)	2	
14	09160-25059	WASHER (25X32X3)	1	
15	25332-38A10	BOSS, SHIFT PAWL LIFTER	1	
16	08316-1006A	NUT	2	
17	09262-25006	BEARING (25X47X8)	1	
18	24741-21A00	RETAINER, BEARING	2	
19	09125-06122	SCREW (6X12)	1	
20	25350-38A00	STOPPER, CAM	1	
21	09443-09027	SPRING	1	
22	25355-38A10	SUPPORT, CAM STOPPER	1	
23	08211-06141	WASHER	1	
24	25380-38A02	PLATE, STOPPER	1	
25	25312-38A00	PIN, SHIFT CAM	1	
26	25510-38A00	SHAFT, GEAR SHIFTING	1	
27	09180-12068	SPACER (12X20X15.3)	1	
28	09444-26013	SPRING	1	
29	25671-01011	STOPPER, ARM	1	
30	09285-12006	OIL SEAL (12X22X9)	1	
31	25520-38B00	ARM, GEAR SHIFT LINK	1	
32	25526-47000	.COVER, DUST	1	
33	01547-0620A	BOLT	1	

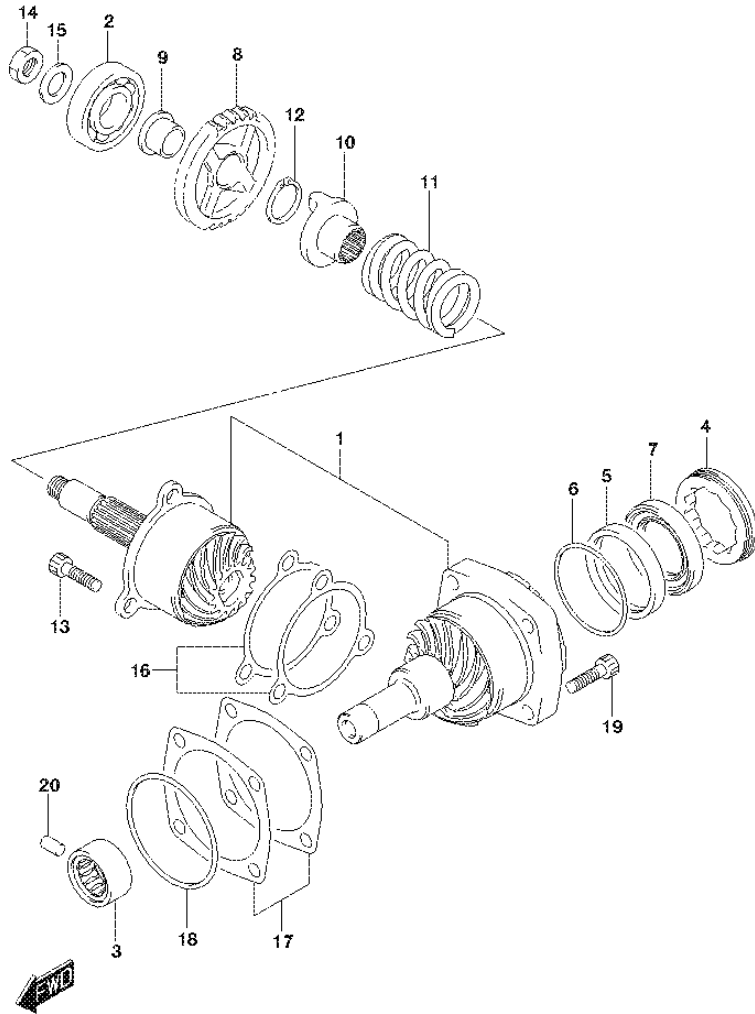
**FIG.212A**



**FIG.212A (1-D-3) GEAR SHIFTING**

REF NO.	PART NO.	DESCRIPTION	Q'TY	REMARKS
34	25525-41F00	ROD, GEAR SHIFT LINK	1	
35	09140-06011	NUT	1	
36	08310-0006A	NUT	1	
37	25600-41F20	LEVER ASSY, GEAR SHIFT	1	
38	25526-47000	.COVER, DUST	1	
39	25652-10F00	.RUBBER, GEAR, FR	1	
40	43151-01400	.RUBBER, GEAR, RR	1	
41	25617-41F00	SPACER, GEAR SHIFT LEVER	1	
42	09103-10300	BOLT (10X40)	1	
43	09164-18009	WASHER	1	
44	08310-0010A	NUT	1	
45	37730-41F02	BASE ASSY, GEAR SHIFT TERM	1	
46	09280-26005	O RING (D:2.4, ID:26.2)	1	
47	07120-0516A	BOLT	2	
48	09209-05011	PIN (5X15.5)	2	
49	09440-04010	SPRING	2	
50	09404-06433	CLAMP (L:80)	1	

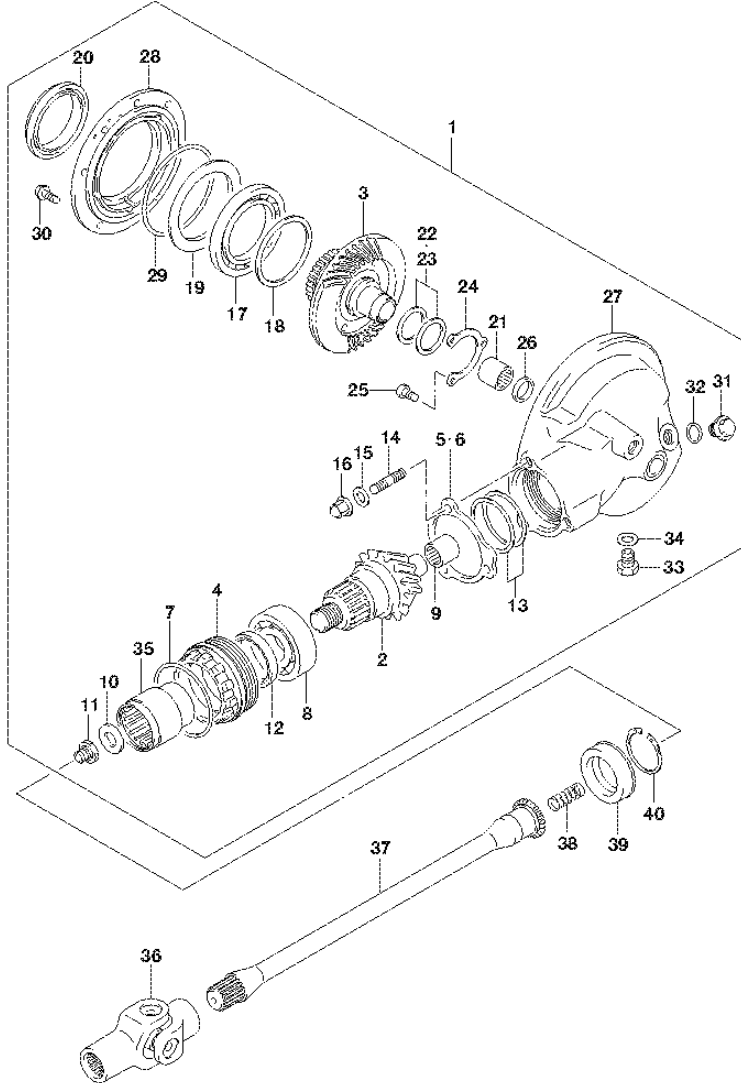
**FIG.216A**



**FIG.216A (1-D-4) SECONDARY DRIVE GEAR**

REF NO.	PART NO.	DESCRIPTION	Q'TY	REMARKS
1	24900-41810	GEAR & HOUSING SET, SECONDARY	1	
2	09262-20073	.BEARING (20X52X15)	1	
3	09263-20038	.BEARING (20X34X16)	1	
4	24942-38A50	.STOPPER, BEARING	1	
5	24943-38A50	.HOUSING, OIL SEAL	1	
6	09280-60003	.O RING (D:1.2,ID:59.6)	1	
7	09283-38016	.OIL SEAL (38X54X8.5)	1	
8	24631-38A00	GEAR, REDUCTION DRIVEN (NT:30)	1	
9	24632-38A00	BUSH	1	
10	24922-38A00	DOG, OUTPUT CAM	1	
11	09440-44002	SPRING	1	
12	08331-31219	CIRCLIP	1	
13	09106-08097	BOLT (8X25)	3	
14	09140-16001	NUT	1	
15	09160-16029	WASHER (16X29X4)	1	
16	24935-38810	SHIM SET, SEC DRIVE GEAR	2	T:0.3/0.35/0.4/0.5/0.6
17	24945-05810	SHIM SET, SEC DRIVE HOUSING	2	T:0.3/0.35/0.4/0.5/0.6
18	09280-67004	O RING (D:2.1,ID:66.2)	1	
19	09106-08097	BOLT (8X25)	4	
20	04221-07129	PIN	1	

**FIG.220A**



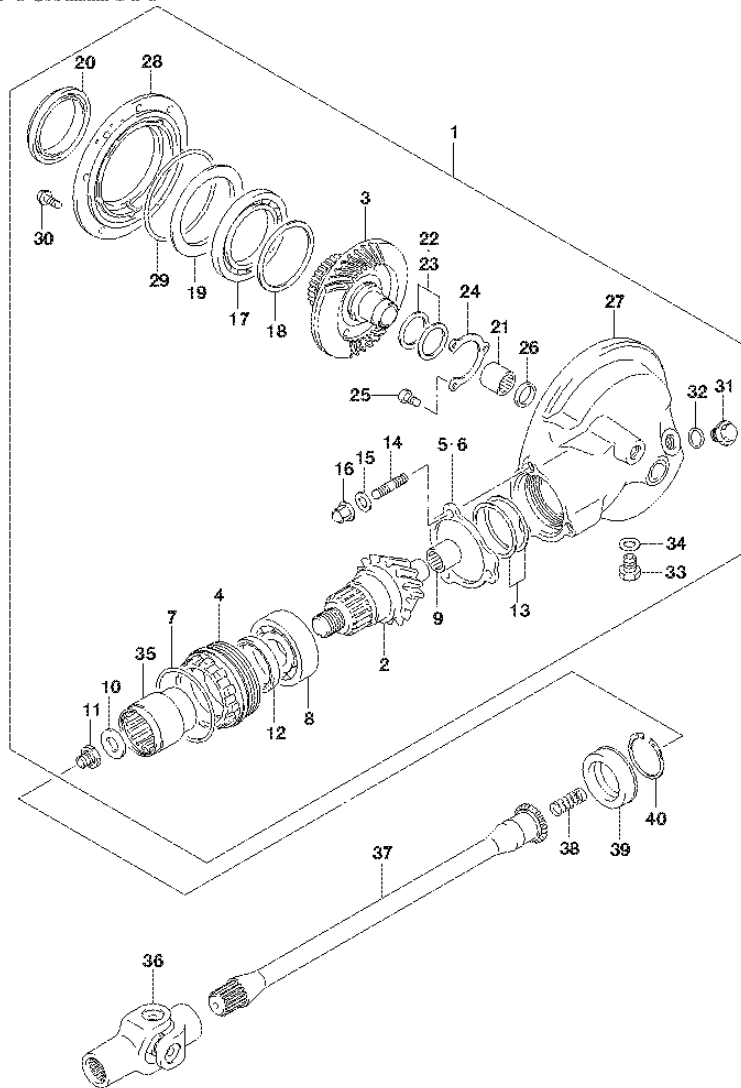
VL800L6\_E14\_220A  
PROPELLER SHAFT/FINAL DRIVE GEAR

**FIG.220A (1-D-5) PROPELLER SHAFT/FINAL DRIVE GEAR**

REF NO.	PART NO.	DESCRIPTION	Q'TY	REMARKS
1	27301-38840-20H	GEAR & CASE SET, FINAL BEVEL (SILVER)	1	
2	27311-38A00	.GEAR, FINAL DRIVE BEVEL (NT:11)	1	
3	27320-45C01	.GEAR, FINAL DRIVEN BEVEL (NT:34)	1	
4	27312-38A00	.STOPPER, BEARING	1	
5	27313-38A00	.PLATE	1	
6	27313-38A10	.PLATE	1	
7	09280-62002	.O RING (D:1.9,ID:61.6)	1	
8	09267-30005	.BEARING (30X62X23.8)	1	
9	09263-17028	.BEARING (17X32X16)	1	
10	09160-16029	.WASHER (16X29X4)	1	
11	09159-16010	.NUT	1	
12	09283-38009	.OIL SEAL (38X54X6)	1	
13	27445-38810	.SHIM SET, FINAL	1	T:0.3/0.35/0.4/0.5/0.6
14	09108-10095	.STUD BOLT	3	
15	09164-10008	.WASHER	3	
16	09159-10026	.NUT	3	
17	09262-70001	.BEARING (70X110X13)	1	
18	27327-34810	.SHIM SET, DRIVE GEAR BEARING	1	T:0.35/0.4/0.5/0.6
19	27328-34200	.PLATE	1	
20	09289-70001	.OIL SEAL (70X96X16)	1	RH
21	09263-32007	.BEARING (32X46X17.7)	1	LH
22	27326-34820	.SHIM SET, FINAL DRIVE GEAR	1	T:1.05/1.1/1.2/1.25/1.35
23	27326-34810	.SHIM SET, FINAL DRIVE GEAR	1	T:1.40/1.45/1.50
24	27329-34200	.RETAINER, BEARING	1	
25	09125-06122	.SCREW (6X12)	3	
26	09283-30028	.OIL SEAL (30X42X7)	1	
27	27450-38A70-20H	.CASE, FINAL GEAR (SILVER)	1	
28	27460-07A01	.CASE, FINAL GEAR BEARING	1	
29	09280-00015	.O RING (D:3.5,ID:131.6)	1	
30	01550-0825A	.BOLT	9	
31	09247-18001	.PLUG	1	

VL800L6\_E14

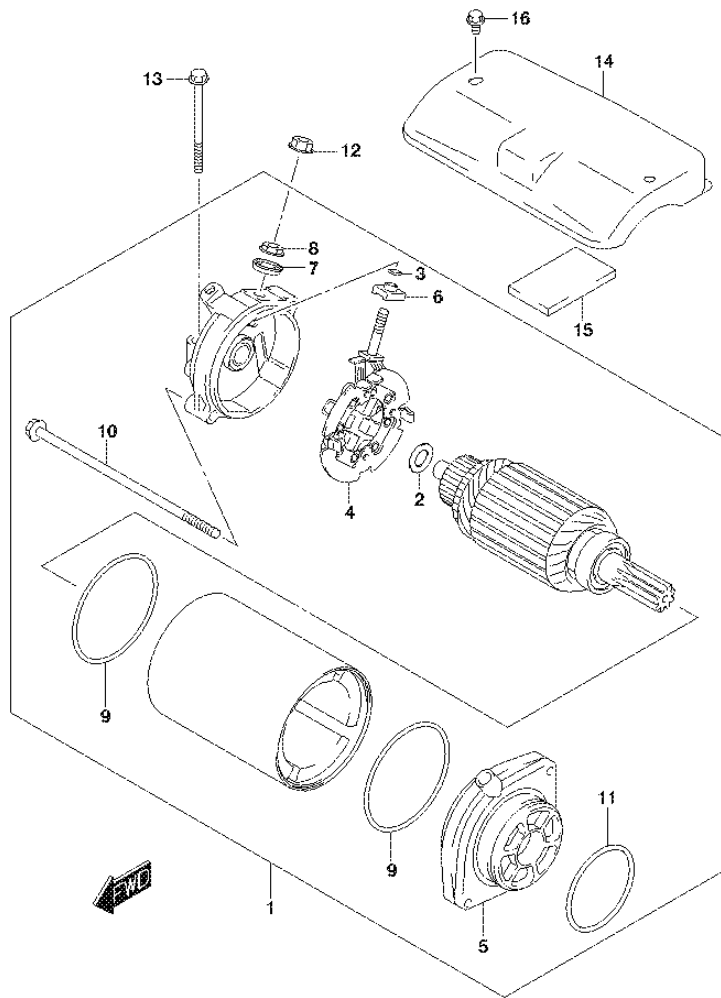
**FIG.220A**



**FIG.220A (1-D-6) PROPELLER SHAFT/FINAL DRIVE GEAR**

REF NO.	PART NO.	DESCRIPTION	Q'TY	REMARKS
32	09280-18004	.O RING (D:2.4,ID:17.8)	1	
33	09247-14002	.PLUG (MAGNET)	1	OIL DRAIN
34	09168-14002	.GASKET (13.8X18.8X4.8)	1	
35	27172-38A00	.COUPLING, PROPELLER SHAFT	1	
36	27100-38A60	YOKE, UNIVERSAL JOINT	1	
37	27151-41F00	SHAFT, PROPELLER	1	
38	09440-18019	SPRING	1	
39	09283-30051	OIL SEAL (28.4X48X15)	1	
40	09381-40003	CIRCLIP	1	

**FIG.301A**



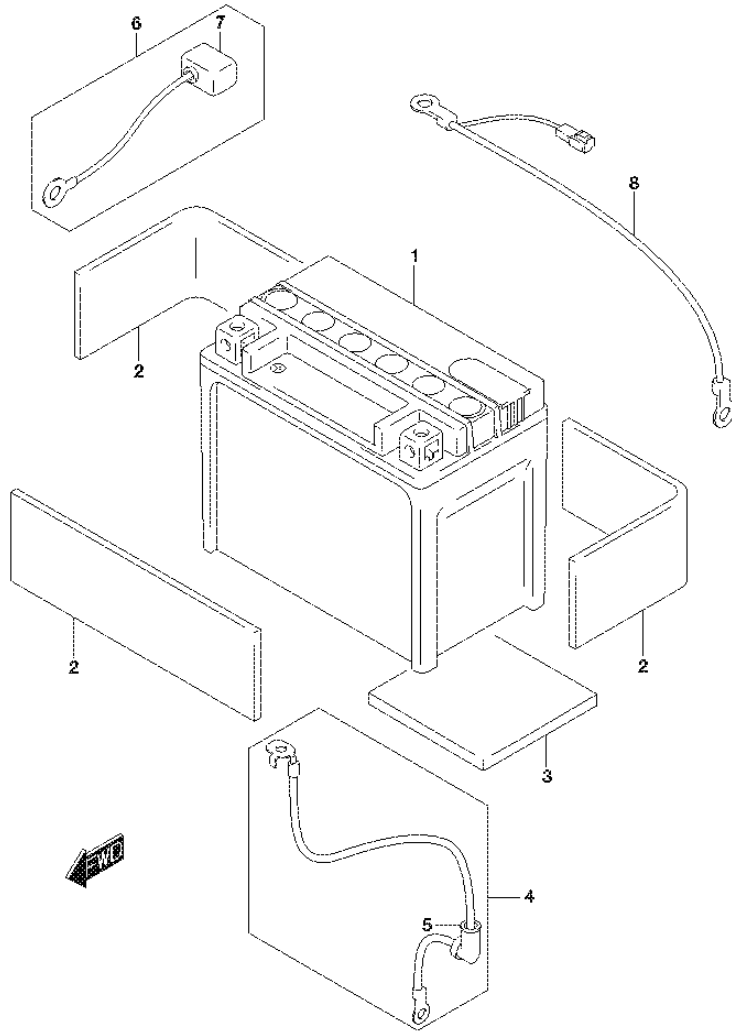
**FIG.301A (1-D-7) STARTING MOTOR**

REF NO.	PART NO.	DESCRIPTION	Q'TY	REMARKS
1	31100-45C01	MOTOR ASSY, STARTING	1	
2	31170-43400	.SHIM	1	
3	31143-38300	.O RING	1	
4	31132-45C00	.BRUSH HOLDER SET (-)	1	
5	31150-38A00	.BRACKET SET	1	
6	31172-38300	.BUSHING	1	
7	31173-88C00	.BUSHING	1	
8	08310-00067	.NUT	1	
9	31264-44110	.O RING	2	
10	31281-24B10	.SCREW	2	
11	31156-38A00	.O RING	1	
12	08361-3506A	NUT	1	
13	09103-06261	BOLT (6X60)	2	
14	31210-41F00	COVER, STARTING MOTOR	1	
15	31212-38A10	DAMPER, MOTOR COVER	1	
16	01547-0508A	BOLT	2	





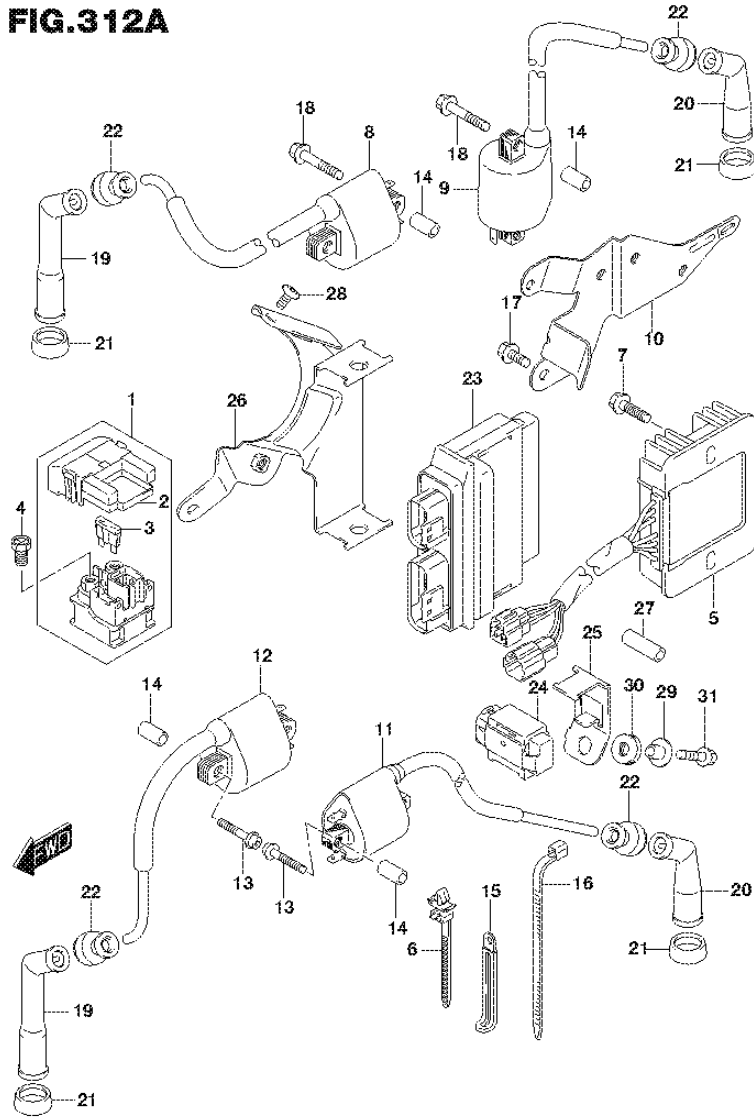
**FIG.310A**



**FIG.310A (1-D-9) BATTERY**

REF NO.	PART NO.	DESCRIPTION	Q'TY	REMARKS
1	33610-48E31	BATTERY (FTX12-BS,12V,10AH)	1	
2	33651-37000	CUSHION (170X95X3.0)	3	CUT AS REQUIRED PROFILE (20X90)
3	33652-20C00	CUSHION (50X50X5.0)	2	
4	33810-41F00	WIRE, STARTER MOTOR	1	
5	31861-48B10	.CAP, STARTER MOTOR	1	
6	33820-48E00	WIRE, BATTERY PLUS (+)	1	
7	33624-16E00	.CAP, BATTERY PLUS	1	
8	33860-41F00	WIRE, BATTERY MINUS (-)	1	

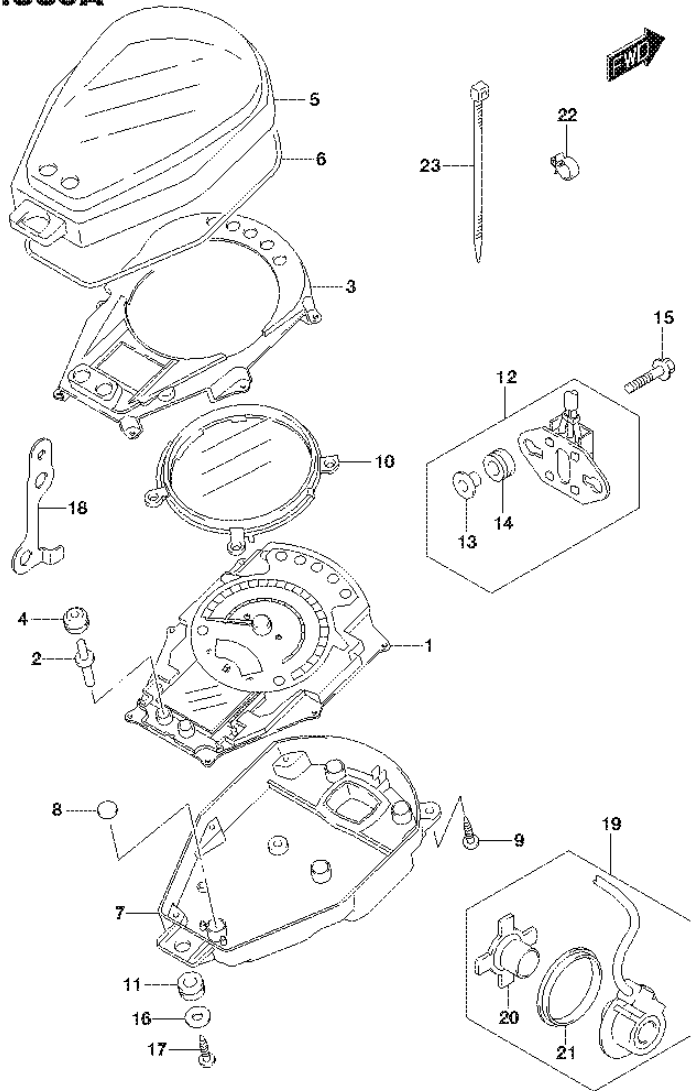
**FIG.312A**



**FIG.312A (1-D-10) ELECTRICAL**

REF NO.	PART NO.	DESCRIPTION	Q'TY	REMARKS
1	31800-21E20	RELAY ASSY, STARTING MOTOR	1	
2	31861-47E00	.COVER	1	
3	09481-30101	.FUSE (30A)	2	
4	09128-06013	SCREW (6X8)	2	
5	32800-47H00	RECTIFIER ASSY	1	
6	09407-11402	CLAMP (L:90)	1	
7	02162-0620B	BOLT	2	
8	33410-39G00	COIL ASSY, IGNITION REAR	1	
9	33410-39G10	COIL ASSY, IGNITION REAR	1	FOR RS
10	33414-39G00	BRACKET, IGNITION COIL REAR	1	
11	33420-39G00	COIL ASSY, IGNITION FRONT	1	FOR FS
12	33420-41F10	COIL ASSY, IGNITION FRONT	1	
13	09106-05033	BOLT (5X35)	4	
14	09180-06195	SPACER (6.4X10X18)	8	
15	09404-06433	CLAMP (L:80)	1	
16	09407-19401	CLAMP (L:190)	2	
17	01547-0610A	BOLT	3	
18	01547-0635A	BOLT	4	
19	33510-11410	CAP ASSY, SPARK PLUG (CENTER)	2	
20	33510-38B00	CAP ASSY, SPARK PLUG (SIDE)	2	
21	33541-47D00	SEAL, SPARK PLUG	4	
22	33542-38B00	SEAL, HIGH TENSION CORD	4	
23	32920-39GJ0	CONTROL UNIT, FI	1	
24	33960-06G10	SENSOR ASSY, FUEL CUT	1	
25	33961-41F00	BRACKET, FUEL CUT SENSOR	1	
26	44880-43H00	BRACKET, FI CONTROLLER UNIT	1	
27	09352-50823-600	HOSE (5X8.2X600)	1	CUT AS REQUIRED PROFILE L:10
28	09139-06108	SCREW (6X12)	2	
29	09180-06325	SPACER (6.2X8.4X6.9)	1	
30	09320-06017	CUSHION	1	
31	01547-0616A	BOLT	1	

**FIG.330A**



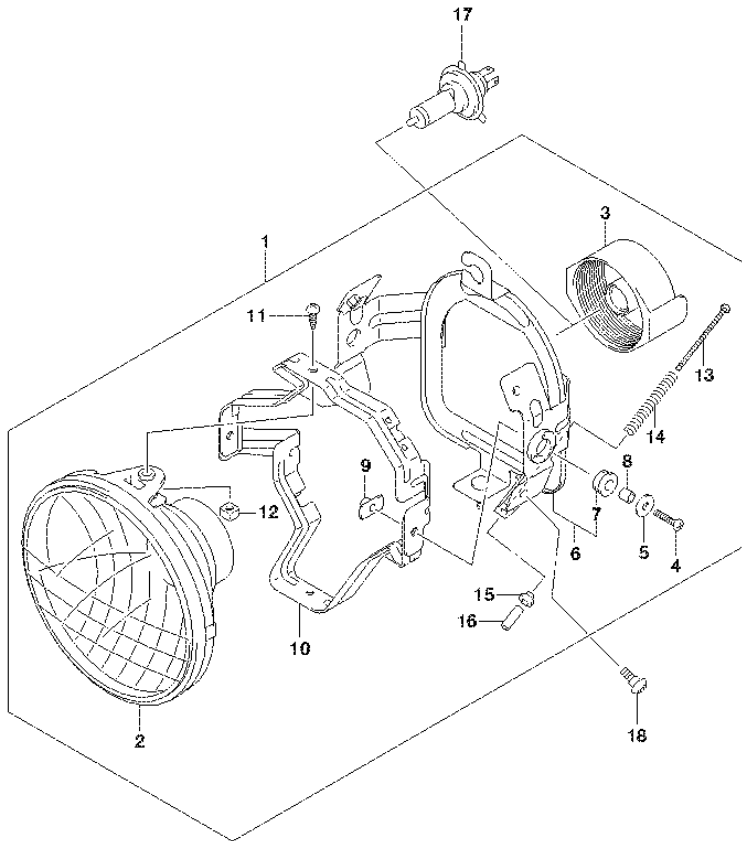
**FIG.330A (1-D-11) SPEEDOMETER**

REF NO.	PART NO.	DESCRIPTION	Q'TY	REMARKS
1	34120-43H00	SPEEDOMETER	1	
2	34124-16G00	KNOB, SPEEDOMETER	2	
3	34125-43H00	PLATE, SPEEDOMETER	1	
4	34126-44G00	COVER, SPEEDOMETER	2	
5	34151-43H00	CASE, UPPER	1	
6	34153-43H00	PACKING	1	
7	34156-43H00	COVER	1	
8	34167-13E00	SEAL	5	
9	34183-29F00	SCREW (3X12)	11	
10	34193-43H00	RING	1	
11	34996-43410	CUSHION	1	
12	36510-39F00	RESISTOR ASSY	1	
13	09180-06319	.SPACER (6.5X10X11.6)	2	
14	09320-10015	.CUSHION	2	
15	09116-06047	BOLT (6X25)	2	
16	09160-05037	WASHER (5.5X16X1.2)	1	
17	03541-0516A	SCREW	3	
18	34938-41F40	GUIDE, SPEED SENSOR LEAD	1	
19	34990-41F10	SENSOR, SPEED	1	
20	34983-27G00	.MAGNET	1	
21	09286-44001	.OIL SEAL (44X55X6)	1	
22	09403-06410	CLAMP	1	
23	09407-14407	CLAMP (L:145)	3	

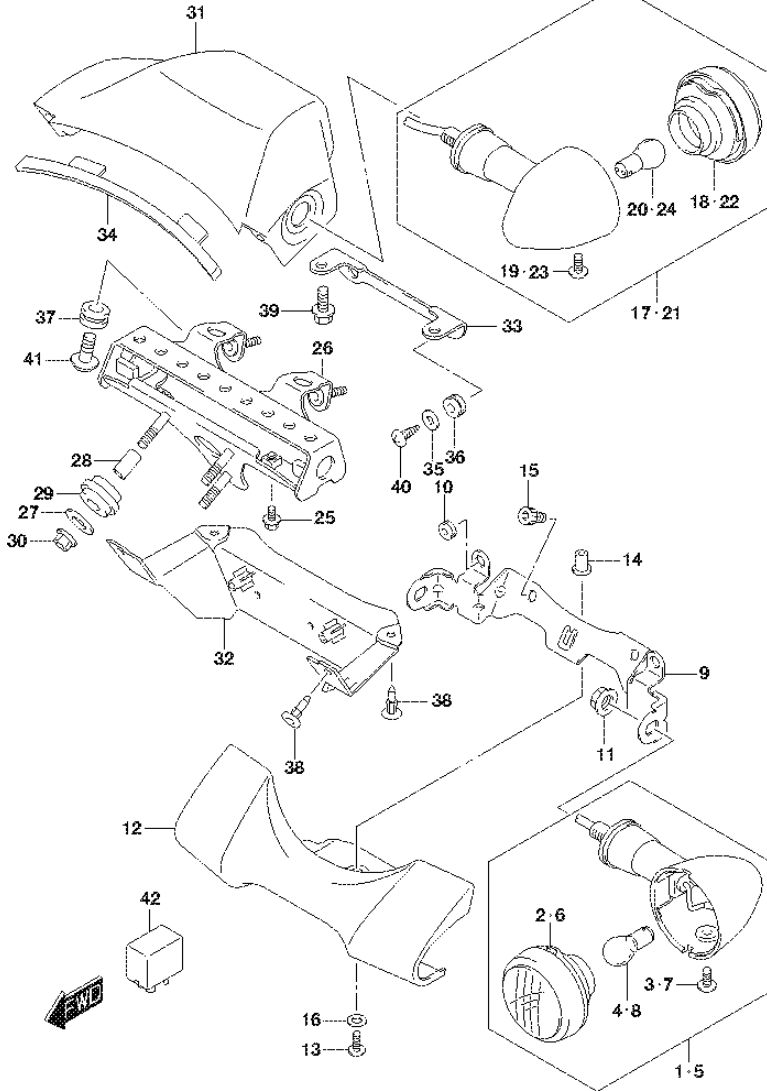
**FIG.333A**

**FIG.333A (1-D-12) HEADLAMP**

REF NO.	PART NO.	DESCRIPTION	Q'TY	REMARKS
1	35100-06J31-999	HEADLAMP ASSY	1	
2	35121-10FB0	.UNIT	1	
3	35174-19F00	.COVER, SOCKET	1	
4	02122-0520A	.SCREW	2	
5	09160-05045	.WASHER (5.5X18X1)	2	
6	35140-06J02	.BRACKET	1	
7	35139-38A60	.CUSHION	2	
8	35133-45230	.SPACER	2	
9	35155-10FA0	.NUT	2	
10	35130-10FA0	.BRACKET	1	
11	35181-19F00	.SCREW (5X16)	2	
12	35135-45900	.NUT	2	
13	35151-10FA0	.SCREW, ADJUSTER	2	
14	35154-10FA0	.SPRING, ADJUSTER	2	
15	35152-45600	.NUT	2	
16	35158-10FA0	.COVER	2	
17	09471-12060	BULB (12V,60/55W)	1	
18	09111-06107	BOLT (6X12)	2	



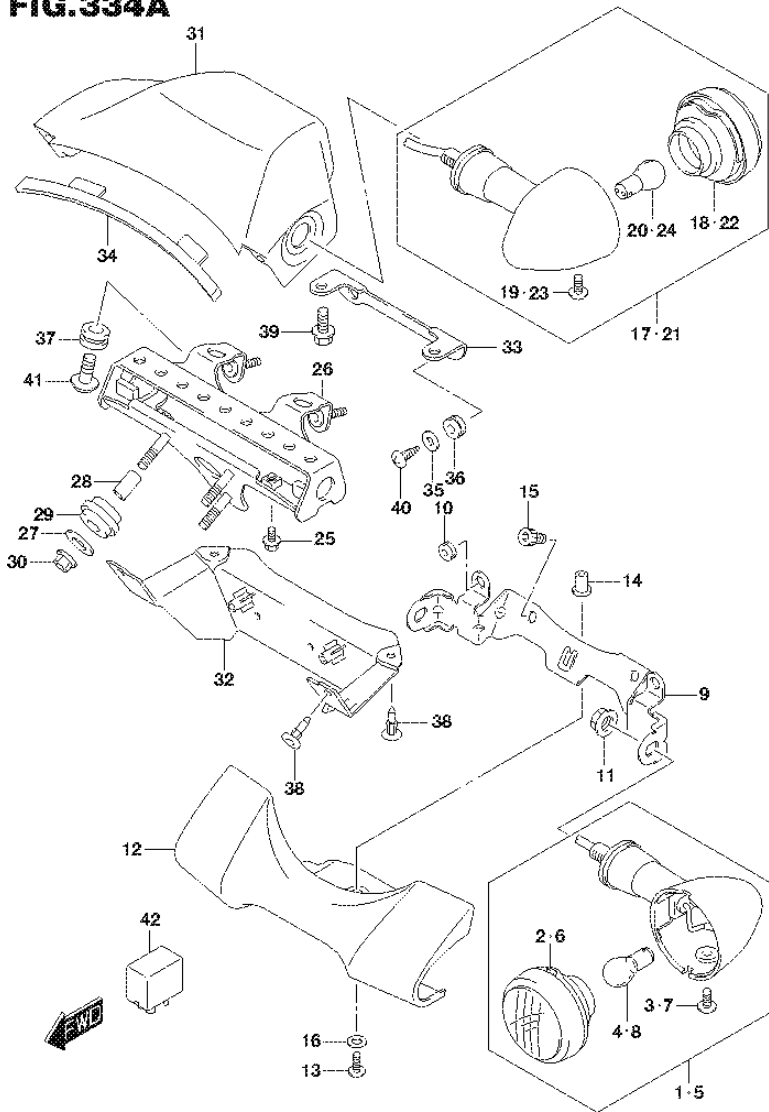
**FIG.334A**



**FIG.334A (1-D-13) TURN SIGNAL LAMP**

REF NO.	PART NO.	DESCRIPTION	Q'TY	REMARKS
1	35601-41FA0	FRONT TURN SIGNAL ASSY, RH	1	
2	35610-38AE1	.LENS	1	
3	35623-38AA0	.SCREW (4X10)	1	
4	09471-12045	.BULB (12V,21W)	1	
5	35602-41FA0	FRONT TURN SIGNAL ASSY, LH	1	
6	35630-38AE1	.LENS	1	
7	35623-38AA0	.SCREW (4X10)	1	
8	09471-12045	.BULB (12V,21W)	1	
9	35616-41FA2	BRACKET	1	
10	09320-06016	CUSHION	2	
11	08310-0010B	NUT	2	
12	35641-41F02	COVER, FRONT TURN SIGNAL	1	
13	09139-05042	SCREW (5X16)	1	
14	09159-05019	NUT	1	
15	07130-0812B	BOLT	2	
16	09160-05048	WASHER (5.5X14X1.2)	1	
17	35603-38AH0	LAMP ASSY, REAR TURN SIGNAL, RH	1	
18	35610-38AH0	.LENS, RH	1	
19	35623-38AA0	.SCREW (4X10)	1	
20	09471-12045	.BULB (12V,21W)	1	
21	35604-38AH0	LAMP ASSY, REAR TURN SIGNAL, LH	1	
22	35630-38AH0	.LENS, LH	1	
23	35623-38AA0	.SCREW (4X10)	1	
24	09471-12045	.BULB (12V,21W)	1	
25	09103-06507	BOLT (6X14)	2	
26	35620-43H01	BRACKET, REAR TURN SIGNAL	1	
27	09160-06077	WASHER (6.5X20X1.2)	3	
28	09180-06195	SPACER (6.4X10X18)	3	
29	09320-10504	CUSHION	3	
30	08316-1006A	NUT	3	
31	35621-43H00	COVER, REAR TURN SIGNAL	1	
32	35622-06J00	COVER, REAR TURN SIGNAL	1	
33	35623-43H00	BRACKET, REAR TURN SIGNAL	1	
34	35657-43H00	GASKET, REAR TURN SIGNAL	1	

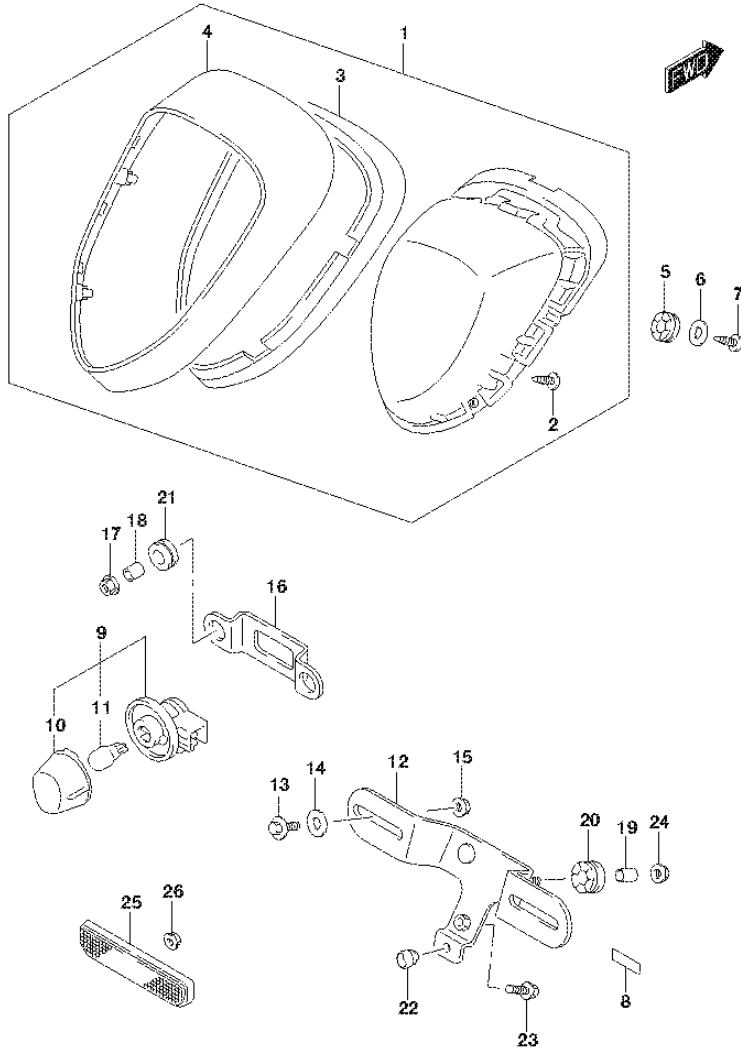
**FIG.334A**



**FIG.334A (1-D-14) TURN SIGNAL LAMP**

REF NO.	PART NO.	DESCRIPTION	Q'TY	REMARKS
35	09160-04022	WASHER (4.3X14X0.8)	2	
36	09320-06016	CUSHION	2	
37	09320-08066	CUSHION	2	
38	09409-06314-5PK	CLIP (BLACK)	4	
39	01550-0612A	BOLT	2	
40	03541-0412A	SCREW	2	
41	03541-0510A	SCREW	2	
42	38610-03F00	RELAY ASSY, TURN SIGNAL LAMP	1	

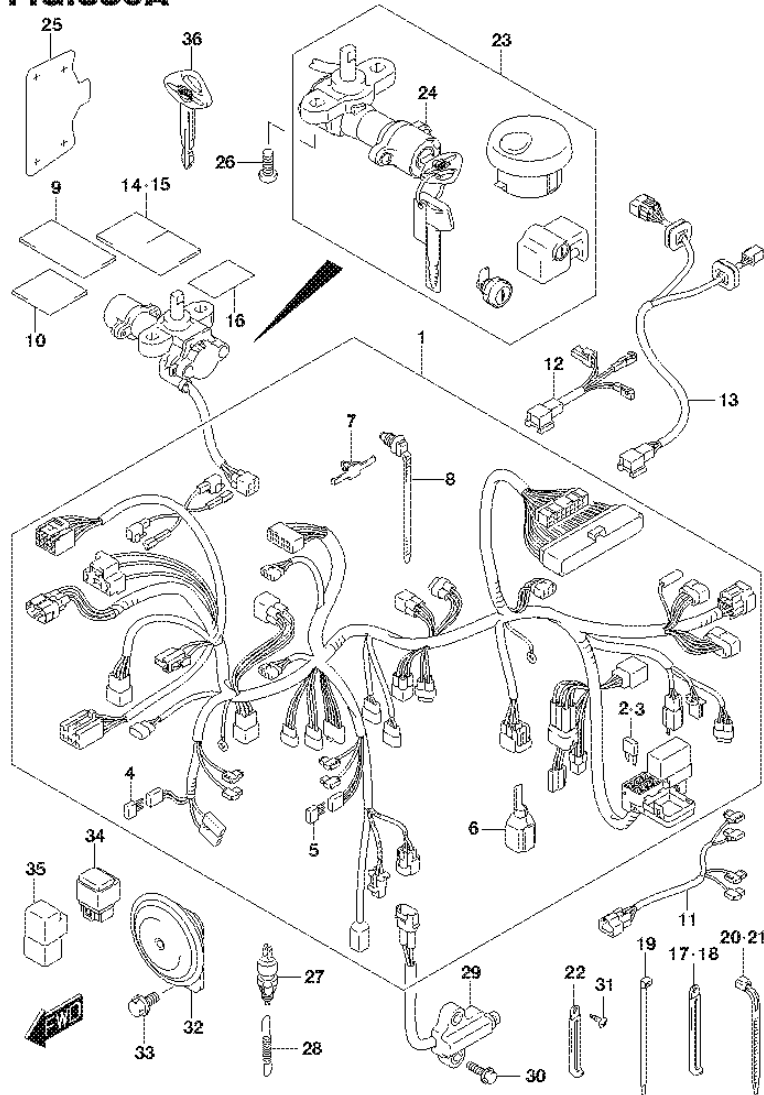
**FIG.339A**



**FIG.339A (1-D-15) REAR COMBINATION LAMP**

REF NO.	PART NO.	DESCRIPTION	Q'TY	REMARKS
1	35710-43H00	LAMP ASSY, REARCOMBINATION	1	
2	35623-41400	.SCREW, 3X12	6	
3	35713-43H00	.RUBBER	1	
4	35717-43H00	.COVER	1	
5	35765-43H00	CUSHION, REARCOMBINATION	3	
6	09160-05501	WASHER (5.5X20X1.2)	3	
7	03541-0512A	SCREW	3	
8	33652-47F00	CUSHION, LICENSE PLATE	1	
9	35910-14F01	LAMP ASSY, LICENSE	1	
10	35912-14F11	.LENS	1	
11	09471-12216	.BULB (12V5W)	1	
12	35927-43H00	BRACKET, LICENSE PLATE	1	
13	09116-06168	BOLT (6X16)	2	
14	09160-06077	WASHER (6.5X20X1.2)	2	
15	08316-1006A	NUT	2	
16	35928-43H00	BRACKET, LICENSE LAMP	1	
17	09159-05049	NUT	2	
18	09180-05054	SPACER (5.5X9.5X11.5)	2	
19	09180-06290	SPACER (6.5X10X12)	3	
20	09320-10051	CUSHION	3	
21	09320-10054	CUSHION	2	
22	09321-06013	CUSHION	1	
23	01550-0625A	BOLT	1	
24	08316-1006A	NUT	2	
25	35970-05H00	REFLECTOR ASSY, REAR	1	
26	08316-1005A	NUT	2	

**FIG.350A**

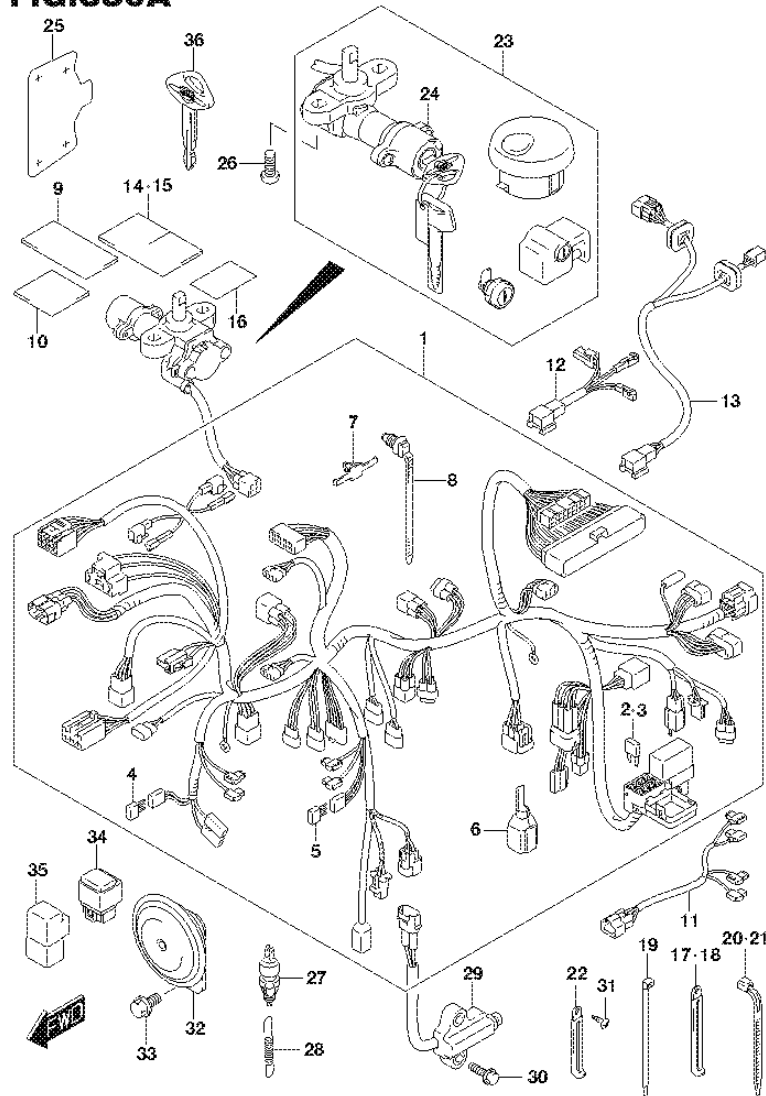


**FIG.350A (1-E-2) WIRING HARNESS**

REF NO.	PART NO.	DESCRIPTION	Q'TY	REMARKS
1	36610-43H70	HARNESS, WIRING	1	
2	09481-10501	.FUSE (10A)	5	
3	09481-20501	.FUSE (20A)	1	
4	32800-16A00	.RECTIFIER ASSY	1	
5	36611-38A10	.DIODE	1	
6	36717-41F00	.BOOT	1	
7	09407-05410	.CLAMP	3	
8	09407-17403	.CLAMP (L:170)	4	
9	36611-16G00	TAPE WIRING (28X50X0.13)	2	
10	36611-41F00	TAPE WIRING (30X50X3)	1	
11	36854-39G00	WIRE, IGNITION COIL LEAD	1	
12	36856-41F00	WIRE, REARCOMBINATIONNO.2	1	
13	36858-41F00	WIRE, REARCOMBINATION	1	
14	36920-33C00	PROTECTOR, HARNESS (30X50X3)	1	
15	36920-33C00	PROTECTOR, HARNESS (30X50X3)	1	
16	94474-17H00	PROTECTOR, WIRING HARNESS	1	
17	09404-06433	CLAMP (L:80)	2	
18	09404-06435	CLAMP (L:135)	1	
19	09407-14407	CLAMP (L:145)	4	
20	09407-18402	CLAMP (L:165)	1	
21	09407-19401	CLAMP (L:190)	1	
22	09404-06429	CLAMP (L:45)	1	
23	37102-41880	LOCK SET	1	
24	37100-41F70	.LOCK ASSY, STEERING	1	
25	37187-41F10	PROTECTOR, IGNITION SWITCH	1	
26	09139-08016	BOLT (8X20)	2	
27	37740-24A00	SWITCH ASSY, STOP LAMP	1	
28	09443-06073	SPRING	1	
29	37840-41F00	SWITCH ASSY, SIDE STAND	1	
30	01550-0620B	BOLT (6X20)	2	
31	03541-0512A	SCREW	1	



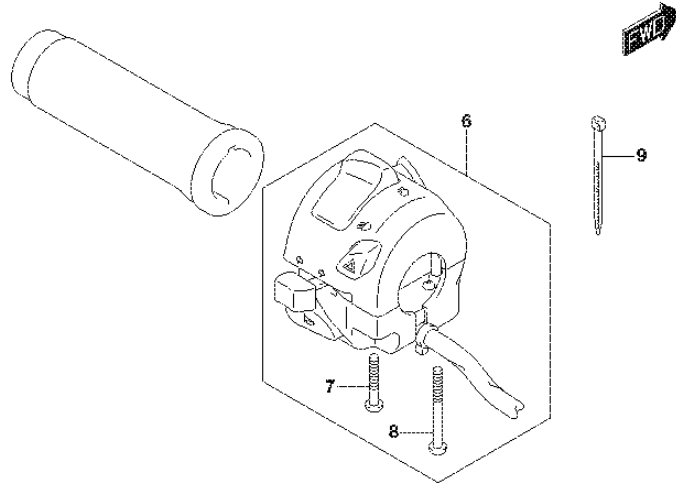
**FIG.350A**



**FIG.350A (1-E-3) WIRING HARNESS**

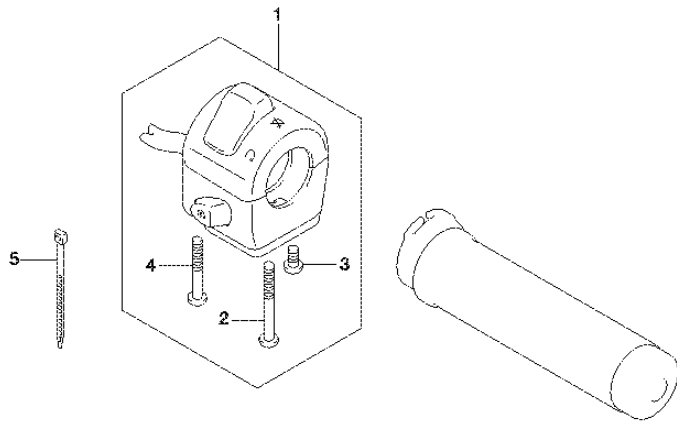
REF NO.	PART NO.	DESCRIPTION	Q'TY	REMARKS
32	38500-41F30	HORN ASSY	1	
33	01550-0816A	BOLT	1	
34	38740-24A00	RELAY ASSY, HEAD LAMP	1	
35	38740-24X50	RELAY ASSY, FUEL PUMP	1	
36	37146-41FA0	KEY, BLANK "BOULEVARD"	1	OPT

**FIG.355A**

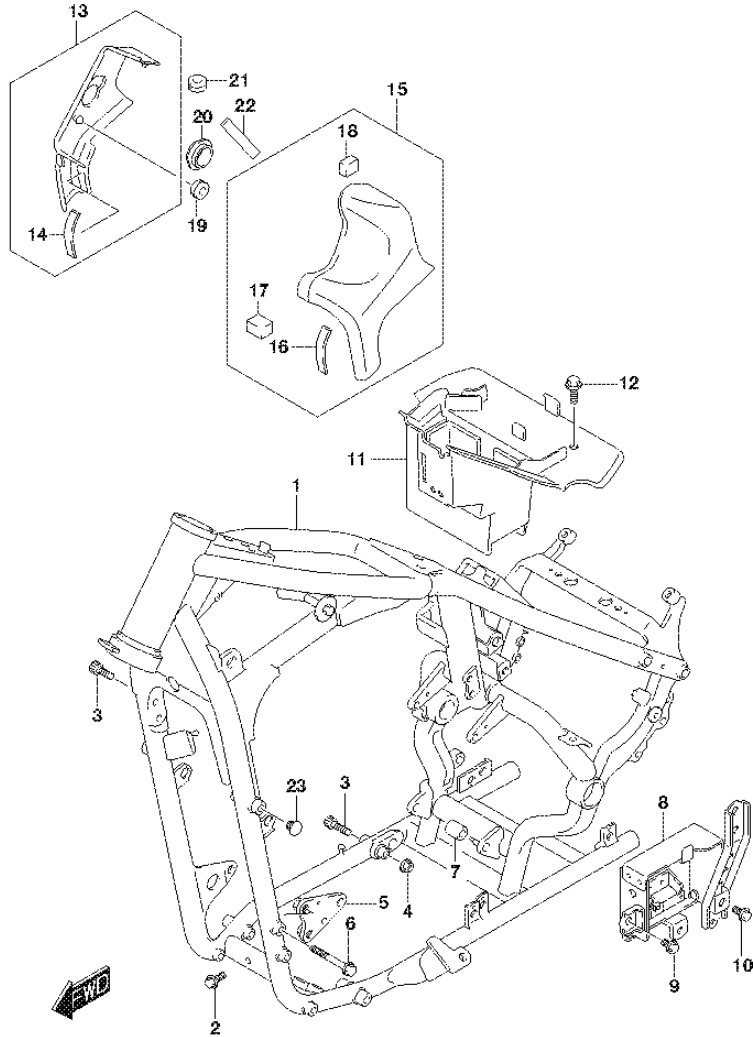


**FIG.355A (1-E-4) HANDLE SWITCH**

REF NO.	PART NO.	DESCRIPTION	Q'TY	REMARKS
1	37200-48GA1	SWITCH ASSY, HANDLE RH	1	
2	02112-0545B	.SCREW	1	
3	02112-0510B	.SCREW	1	
4	02112-0535B	.SCREW	1	
5	09407-14407	CLAMP (L:145)	2	
6	37400-48G60	SWITCH ASSY, HANDLE LH	1	
7	02112-0530B	.SCREW	1	
8	02112-0545B	.SCREW	1	
9	09407-14407	CLAMP (L:145)	3	



**FIG.401A**



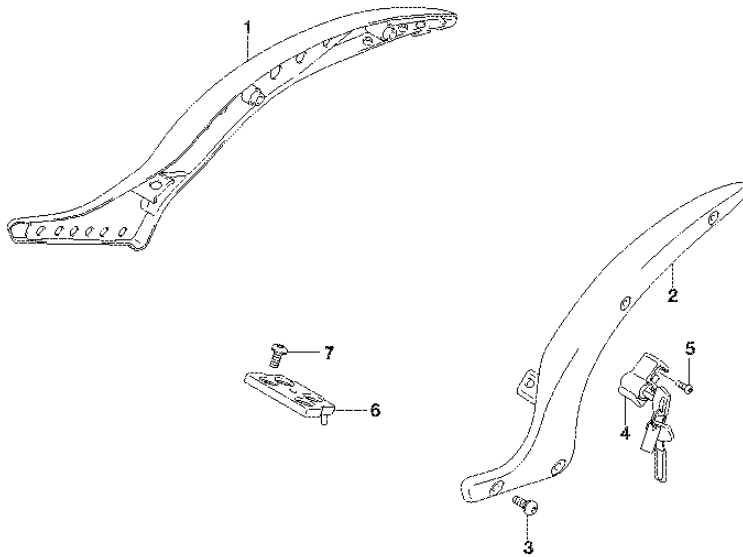
**FIG.401A (1-E-5) FRAME**

REF NO.	PART NO.	DESCRIPTION	Q'TY	REMARKS
1	41100-41F80-019	FRAME (BLACK)	1	
2	01550-0816A	BOLT	2	
3	07130-1035B	BOLT	4	
4	08319-3110B	NUT	4	
5	41920-41F00	PLATE, ENGINE MOUNT LH	1	
6	09112-08013	BOLT (8X65)	2	
7	41941-41F00	SPACER, LOWER	1	
8	41540-41F30	HOLDER, ELECTRIC PARTS	1	
9	01547-0612A	BOLT	1	
10	01550-0816A	BOLT	2	
11	47410-41F02	HOLDER, ELECTRIC PARTS	1	
12	09113-06010	BOLT (6X16)	4	
13	47350-41F10-019	COVER, FRAME HEAD RH (BLACK)	1	
14	53145-40A00	.CUSHION	2	
15	47360-41F12-019	COVER, FRAME HEAD LH (BLACK)	1	
16	53145-40A00	.CUSHION	1	
17	53146-05G00	.CUSHION, LH LOWER	1	
18	94422-06G00	.CUSHION, FRONT	1	
19	09320-08018	CUSHION	2	
20	47355-41F01	CAP, HEAD COVER RH	1	
21	09320-09501	CUSHION	2	
22	17798-39G00	CUSHION, FRAME HEAD COVER LOW	1	
23	09250-09001	CAP (OD:14)	1	

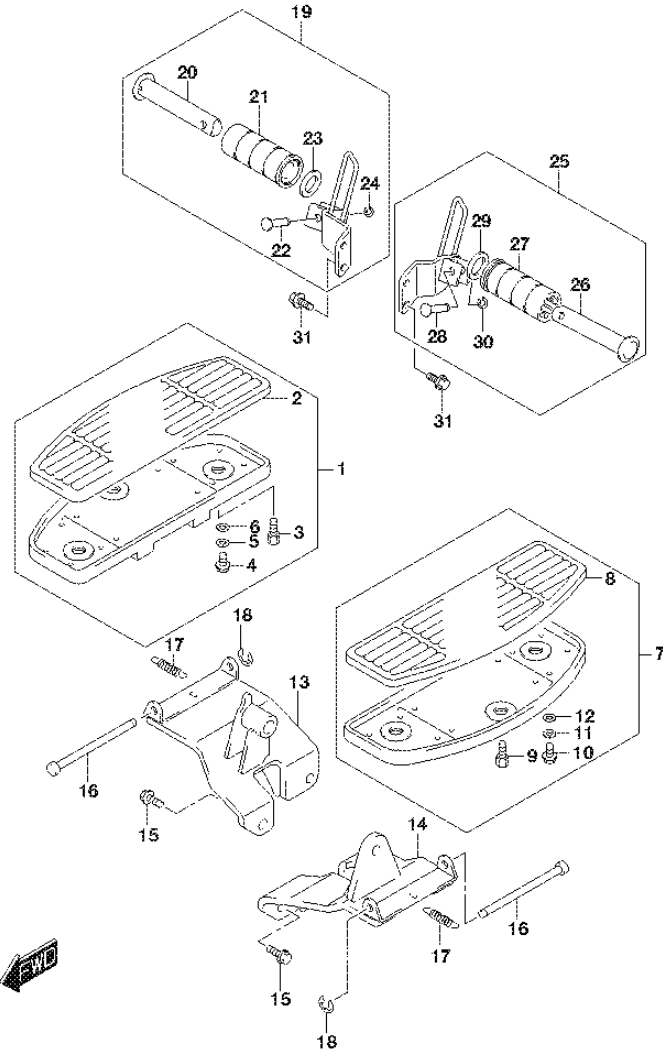
**FIG.402A**

**FIG.402A (1-E-6) FRAME HANDLE GRIP**

REF NO.	PART NO.	DESCRIPTION	Q'TY	REMARKS
1	41610-41F00	GRIP, FRAME HANDLE RH	1	
2	41620-41F00	GRIP, FRAME HANDLE LH	1	
3	09139-10003	BOLT (10X25)	6	
4	95700-41821	LOCK SET, HELMET	1	
5	09139-06089	SCREW (6X14)	1	
6	41310-41F50	BRACKET, FUEL TANK REAR	1	
7	09106-08140	BOLT (8X16)	4	



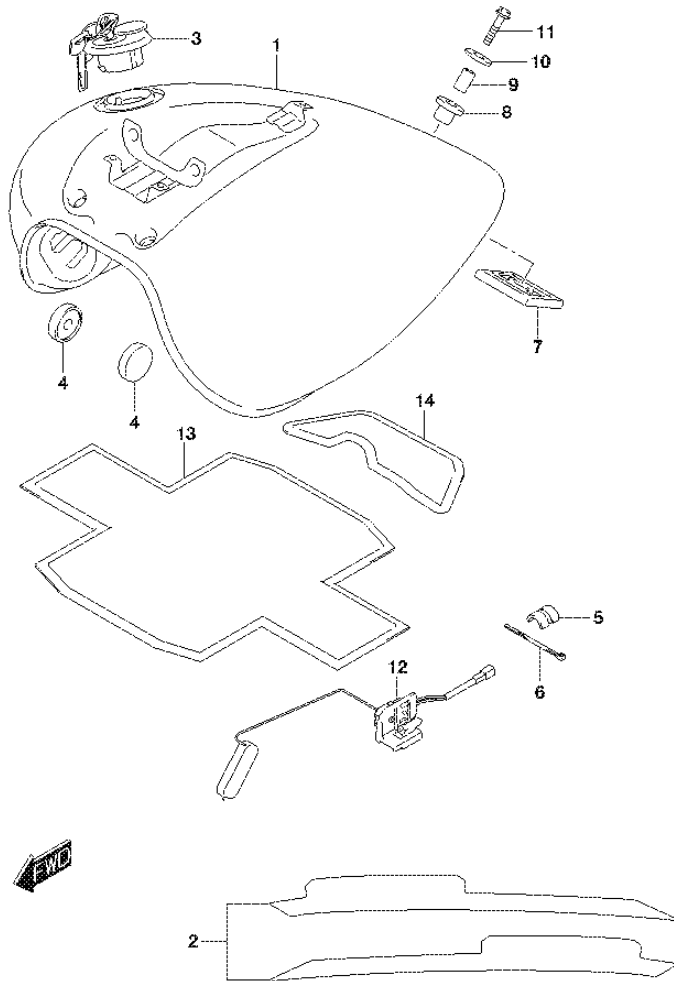
**FIG.415A**



**FIG.415A (1-E-7) FOOTREST**

REF NO.	PART NO.	DESCRIPTION	Q'TY	REMARKS
1	43501-10F11	FOOTREST ASSY, FRONT RH	1	
2	43550-10F10	.RUBBER	1	
3	43576-07D01	.BOLT, BANK SENSOR	1	
4	01550-0610A	.BOLT	3	
5	09160-06158	.WASHER (6.5X22X1.6)	3	
6	09320-10036	.CUSHION	3	
7	43502-10F11	FOOTREST ASSY, FRONT LH	1	
8	43550-10F10	.RUBBER	1	
9	43576-07D01	.BOLT, BANK SENSOR	1	
10	01550-0610A	.BOLT	3	
11	09160-06158	.WASHER (6.5X22X1.6)	3	
12	09320-10036	.CUSHION	3	
13	43510-41F30	BRACKET, FRONT FOOTREST RH	1	
14	43520-41F30	BRACKET, FRONT FOOTREST LH	1	
15	01580-1030B	BOLT	4	
16	43539-10F00	PIN	2	
17	09443-11033	SPRING	2	
18	08332-1106A	E RING	2	
19	43600-41F60	FOOTREST ASSY, PILLION RH	1	
20	43610-39G10	.BAR	1	
21	43612-39G00	.RUBBER	1	
22	43636-25D00	.PIN	1	
23	09160-19024	.WASHER (19.5X32X2)	1	
24	08332-1104B	E RING	1	
25	43700-41F60	FOOTREST ASSY, PILLION LH	1	
26	43610-39G10	.BAR	1	
27	43612-39G00	.RUBBER	1	
28	43636-25D00	.PIN	1	
29	09160-19024	.WASHER (19.5X32X2)	1	
30	08332-1104B	E RING	1	
31	09103-08412	BOLT (8X16)	4	

**FIG.420A**



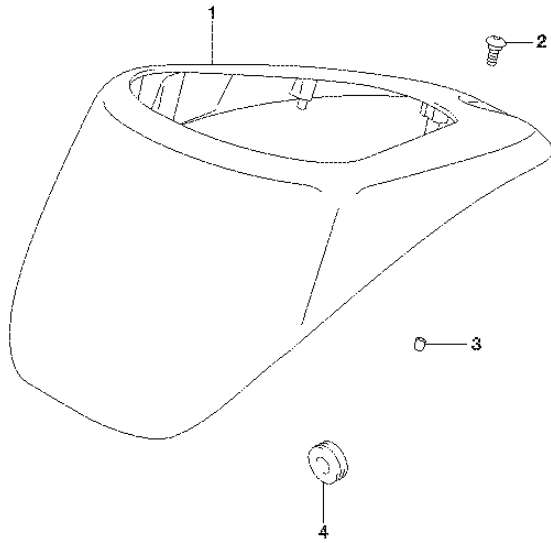
**FIG.420A (1-E-8) FUEL TANK**

REF NO.	PART NO.	DESCRIPTION	Q'TY	REMARKS
1-1	44100-43H40-YVB	TANK ASSY, FUEL (BLACK)	1	
1-2	44100-43H40-YWW	TANK ASSY, FUEL (WHITE)	1	
2-1	68110-43H00-AJY	.TAPE SET, FUEL TANK	1	FOR YVB
2-2	68110-43H00-BBL	.TAPE SET, FUEL TANK	1	FOR YWW
3	44200-41840	CAP SET, FUEL TANK	1	
4	09329-10007	CUSHION	2	
5	44541-14F10	CUSHION, SIDE	2	
6	09407-25402	CLAMP (L:250)	2	
7	44542-41F00	CUSHION, REAR LOWER	1	
8	44541-41F01	CUSHION, REAR UPPER	1	
9	09180-08057	SPACER (8.2X12.5X23.5)	1	
10	09160-08146	WASHER (8.5X33X1.5)	1	
11	01550-0835A	BOLT	1	
12	34810-41F11	GUAGE ASSY, FUEL TANK	1	
13	44192-39G00	SHIELD, HEAT NO.1	1	
14	44191-43H00	SHIELD, HEAT NO.2	1	

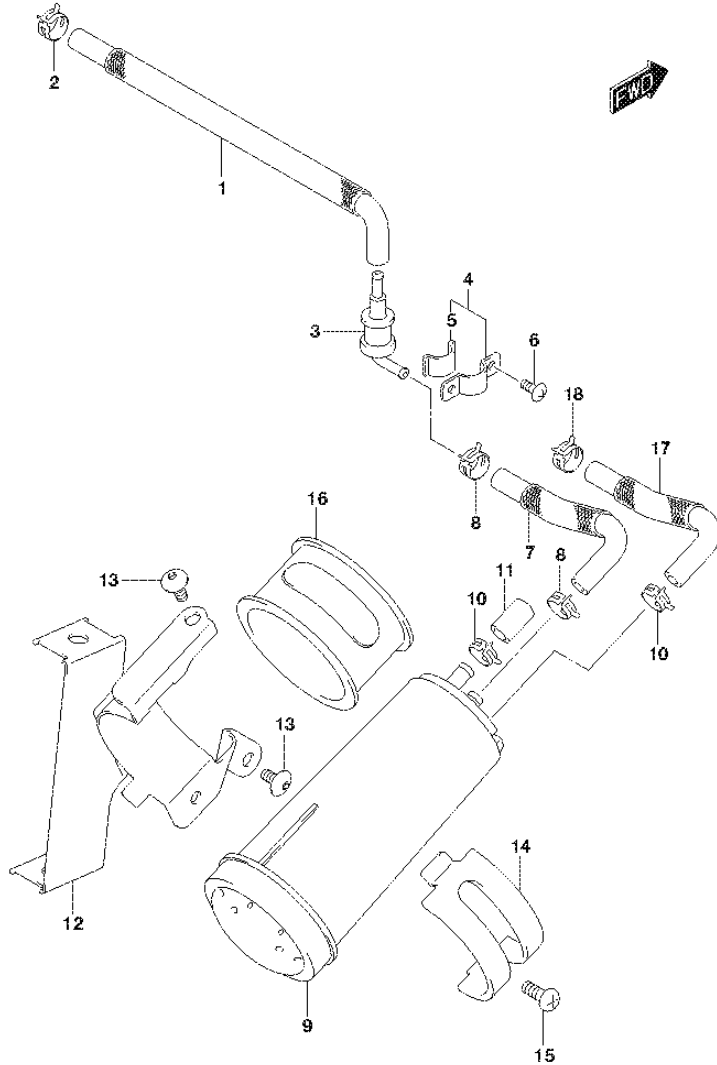
**FIG.423A**

**FIG.423A (1-E-9) FUEL TANK COVER**

REF NO.	PART NO.	DESCRIPTION	Q'TY	REMARKS
1	44291-43H00	COVER, FUEL TANK	1	
2	09139-05071	SCREW (5X13)	1	
3	44294-43H00	CUSHION, COVER	6	
4	09320-08013	CUSHION	2	



**FIG.427A**

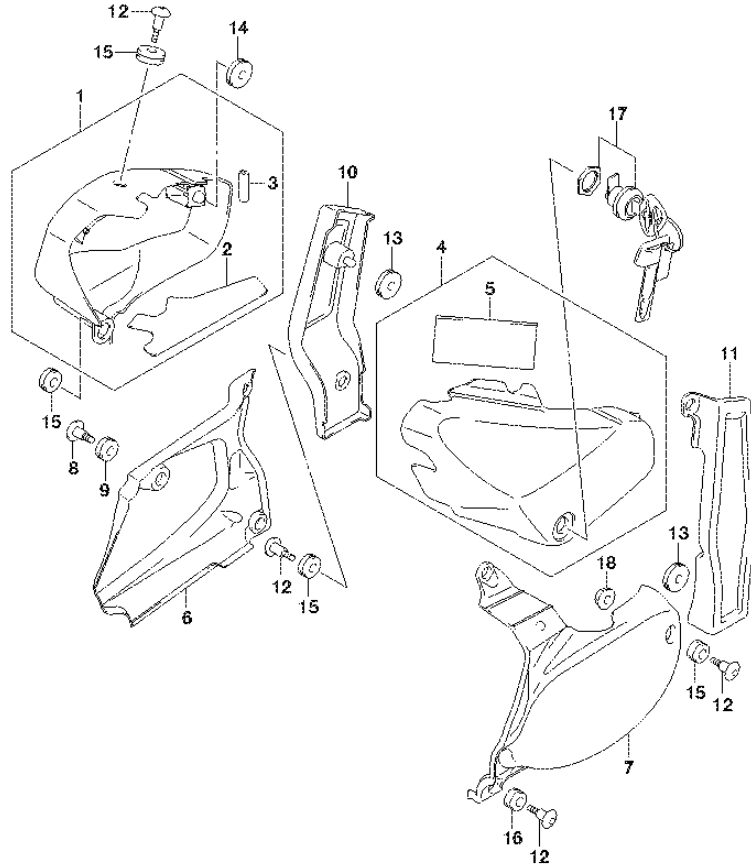


**FIG.427A (1-E-10) EVAP SYSTEM**

REF NO.	PART NO.	DESCRIPTION	Q'TY	REMARKS
1	44434-39G01	HOSE, TANK & VALVE UPPER	1	
2	09401-11413	CLIP	2	
3	44240-17C00	VALVE, BREATHER	1	
4	44892-24A00	PLATE, BREATHER VALVE	1	
5	44894-24A00	.CUSHION	1	
6	02142-0408A	SCREW	2	
7	44435-39G10	HOSE, VALVE & CANISTER	1	
8	09401-11413	CLIP	2	
9	17200-17H00	CANISTER SET	1	
10	09401-12404	CLIP	2	
11	09251-07003	CAP (OD:11.5)	1	
12	44880-43H00	BRACKET, CANISTER	1	
13	09139-06108	SCREW (6X12)	2	
14	44882-26E00	HOLDER, CANISTER	1	
15	02142-0610A	SCREW	1	
16	44883-26E00	CUSHION, CANISTER	1	
17	44436-43H00	HOSE, PURGE	1	
18	09401-11413	CLIP	1	



**FIG.445A**



**FIG.445A (1-E-11) FRAME COVER**

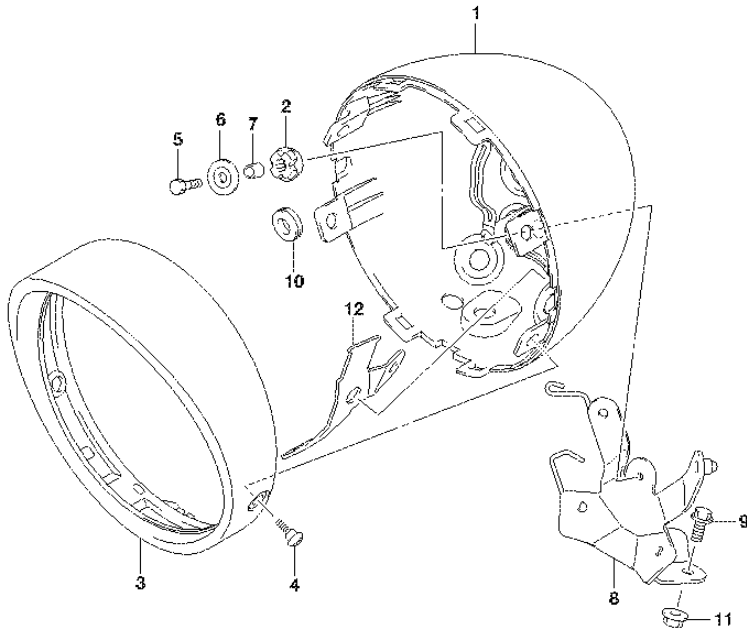
REF NO.	PART NO.	DESCRIPTION	Q'TY	REMARKS
1-1	47110-43H20-YVB	COVER, FRAME RH (BLACK)	1	
1-2	47110-43H20-YVW	COVER, FRAME RH (WHITE)	1	
2	47166-41F00	.SHIELD, FRAME COVER RH	1	
3	94631-35F00	.MOLDING, RH	1	
4-1	47210-43H10-YVB	COVER, FRAME LH (BLACK)	1	
4-2	47210-43H10-YVW	COVER, FRAME LH (WHITE)	1	
5	47217-41F00	.CUSHION, LH	1	
6	47130-41F00	COVER, SIDE LOWER RH	1	
7	47231-41F00	COVER, SIDE LOWER LH	1	
8	47133-43H00	SCREW	3	
9	09320-08021	CUSHION	3	
10	47141-41F01-019	COVER, SIDE REAR RH (BLACK)	1	
11	47241-41F00-019	COVER, SIDE REAR LH (BLACK)	1	
12	09139-06126	SCREW (6X20)	6	
13	09320-08018	CUSHION	6	
14	09320-08028	CUSHION	1	
15	09320-09501	CUSHION	7	
16	09320-09045	CUSHION	1	
17	95700-07860	LOCK SET, FUEL LID	1	
18	08316-1006B	NUT	1	



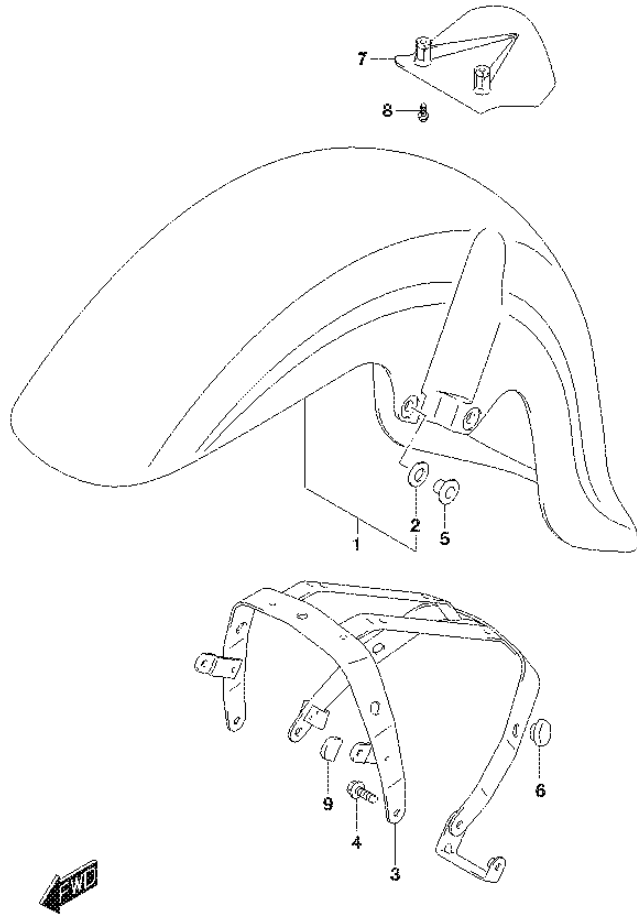
**FIG.451A**

**FIG.451A (1-E-12) HEADLAMP HOUSING**

REF NO.	PART NO.	DESCRIPTION	Q'TY	REMARKS
1	51811-06J00	HOUSING, HEADLAMP	1	
2	09320-09010	CUSHION	5	
3	51821-06J00	COVER, HEADLAMP HOUSING	1	
4	09139-05077	SCREW (5X16)	2	
5	01500-0625A	BOLT	4	
6	09160-06152	WASHER (6.5X20X1.2)	2	
7	09180-06307	SPACER (6.5X9X10)	4	
8	51850-43H00	BRACKET COMP, HOUSING	1	
9	01550-0825B	BOLT	2	
10	09320-08028	CUSHION	1	
11	08319-3108B	NUT	2	
12	51859-43H00	PLATE, HEADLAMP HOUSING	1	



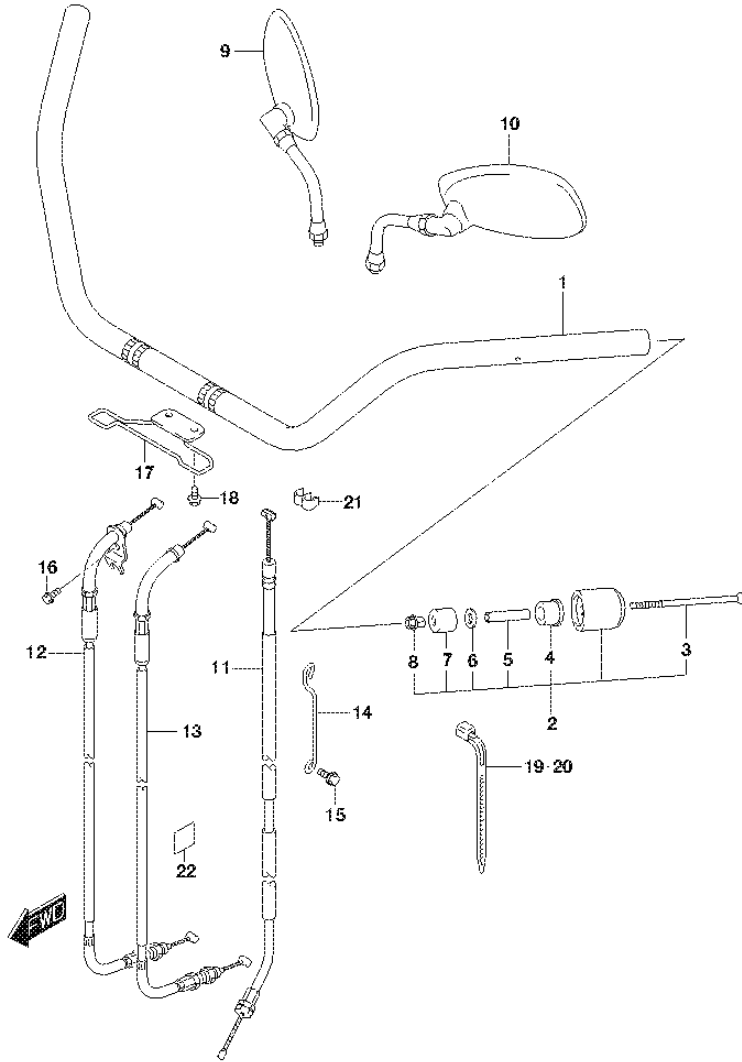
**FIG.460A**



**FIG.460A (1-E-13) FRONT FENDER**

REF NO.	PART NO.	DESCRIPTION	Q'TY	REMARKS
1-1	53110-43H02-YVB	FENDER, FRONT (BLACK)	1	
1-2	53110-43H02-YWW	FENDER, FRONT (SILVER)	1	
2	53121-41FA0	.CUSHION	4	
3	53120-43H00	BRACE, FRONT FENDER	1	
4	01547-0620A	BOLT	4	
5	53276-41F10	WASHER	4	
6	09321-10007	CUSHION	4	
7	53181-41F00	WING, FRONT	1	
8	09113-06010	BOLT (6X16)	2	
9	09329-18001	CUSHION	2	

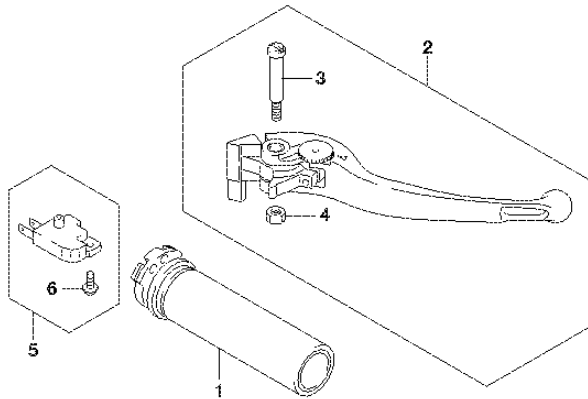
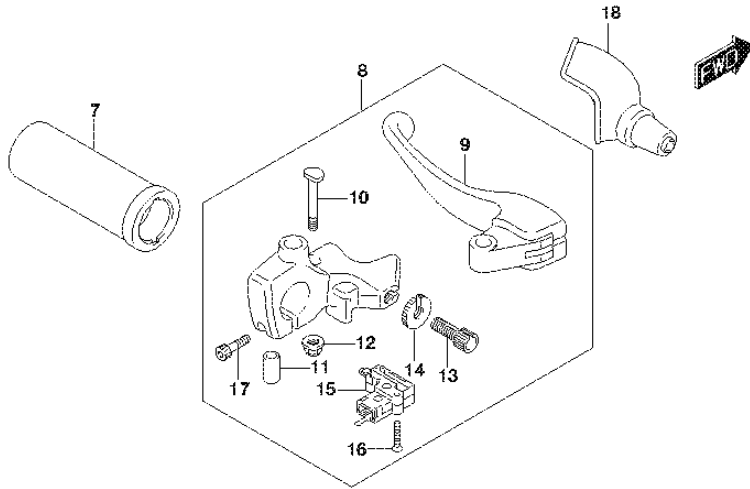
**FIG.462A**



**FIG.462A (1-E-14) HANDLEBAR**

REF NO.	PART NO.	DESCRIPTION	Q'TY	REMARKS
1	56111-41F30	HANDLEBAR	1	
2	56200-10892	BALANCER SET, HANDLEBAR	2	
3	09127-06017	.SCREW (6X127)	2	
4	56272-26D01	.EXPANDER, OUTER	2	
5	56276-17D00	.SPACER	2	
6	09160-06131	.WASHER (6.5X16X4)	2	
7	56272-10G10	.EXPANDER, INNER	2	
8	56273-10G10	.NUT	2	
9	56500-39H00	MIRROR ASSY, REAR VIEW RH	1	
10	56600-39H00	MIRROR ASSY, REAR VIEW LH	1	
11	58200-41F30	CABLE ASSY, CLUTCH	1	
12	58300-43H00	CABLE ASSY, THROTTLE NO.1	1	
13	58300-43H10	CABLE ASSY, THROTTLE NO.2	1	
14	58626-41F01	GUIDE, THROTTLE CABLE	1	
15	01550-0612B	BOLT	2	
16	01550-0616A	BOLT	1	
17	58620-41F00	GUIDE, CABLE	1	
18	01550-0612A	BOLT	2	
19	09407-19401	CLAMP (L:190)	3	
20	09407-30401	CLAMP (L:300)	1	
21	09408-00244	CLIP	1	
22	87873-56K50	PROTECTOR	1	

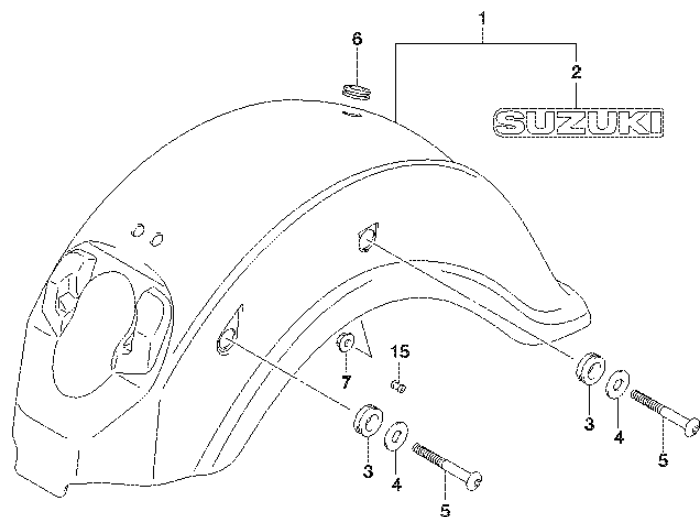
**FIG.467A**



**FIG.467A (1-E-15) HANDLE LEVER**

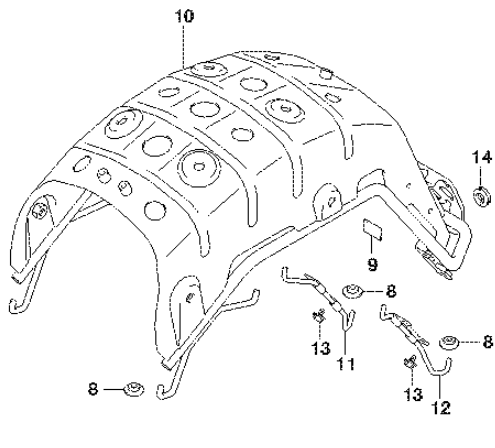
REF NO.	PART NO.	DESCRIPTION	Q'TY	REMARKS
1	57110-26D10	GRIP, THROTTLE	1	
2	57300-48G10	LEVER ASSY, BRAKE	1	
3	57431-48G00	.BOLT, PIVOT	1	
4	08319-2106A	.NUT	1	
5	57460-14J01	SWITCH ASSY, STOP	1	
6	57465-17C00	.SCREW	1	
7	57210-26D00	GRIP, LH	1	
8	57500-48G12	LEVER ASSY, CLUTCH	1	
9	57621-48G11	.LEVER, CLUTCH	1	
10	57531-48G00	.BOLT, PIVOT	1	
11	57623-48G00	.SPACER	1	
12	08319-3106A	.NUT	1	
13	57441-08C00	ADJUSTER, CABLE	1	
14	57442-08C00	.NUT, LOCK	1	
15	57560-05A10	.SWITCH, CLUTCH	1	
16	57562-41G01	.SCREW	1	
17	07130-06207	.BOLT	1	
18	57541-48G10	COVER, CLUTCH LEVER	1	

**FIG.474A**

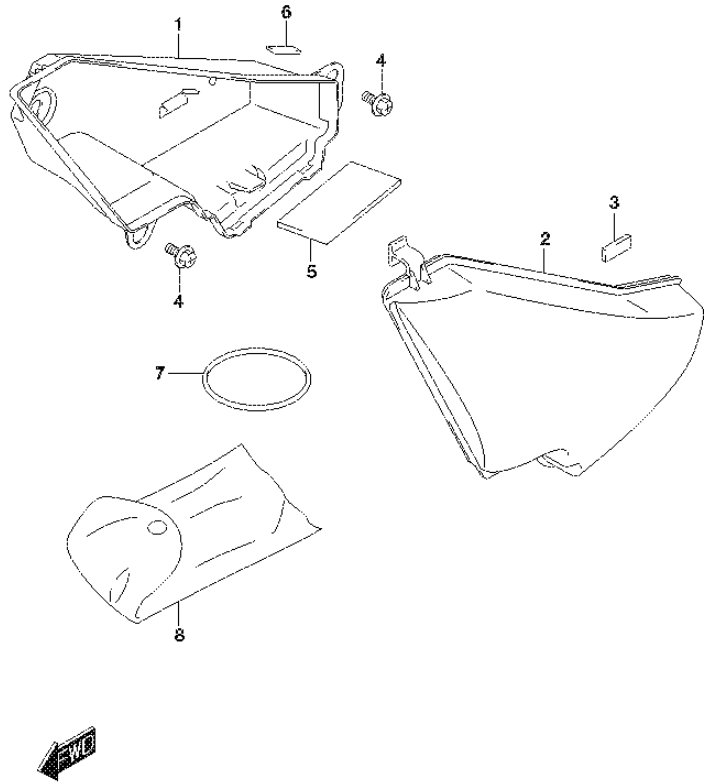


**FIG.474A (1-F-2) REAR FENDER**

REF NO.	PART NO.	DESCRIPTION	Q'TY	REMARKS
1-1	63110-43H00-YVB	FENDER, REAR (BLACK)	1	
1-2	63110-43H00-YWW	FENDER, REAR (SILVER)	1	
2-1	68271-34A00-YES	.EMBLEM (SILVER)	1	FOR YVB
2-2	68271-34A00-YJH	.EMBLEM (GRAY)	1	FOR YWW
3	47191-24F00	CUSHION	4	
4	09160-15002	WASHER (15.5X26X2.3)	4	
5	63161-41F00	BOLT	4	
6	09320-15008	CUSHION	1	
7	08316-1008B	NUT	2	
8	09320-06026	CUSHION	8	
9	53145-17C11	CUSHION, FENDER SIDE	2	
10	63130-43H00	PLATE, REAR FENDER	1	
11	63150-43H00	BRACKET, LOWER RH	1	
12	63160-43H00	BRACKET, LOWER LH	1	
13	01550-0610B	BOLT	4	
14	09308-10017	GROMMET	1	
15	09250-07004	PLUG (OD:9)	2	



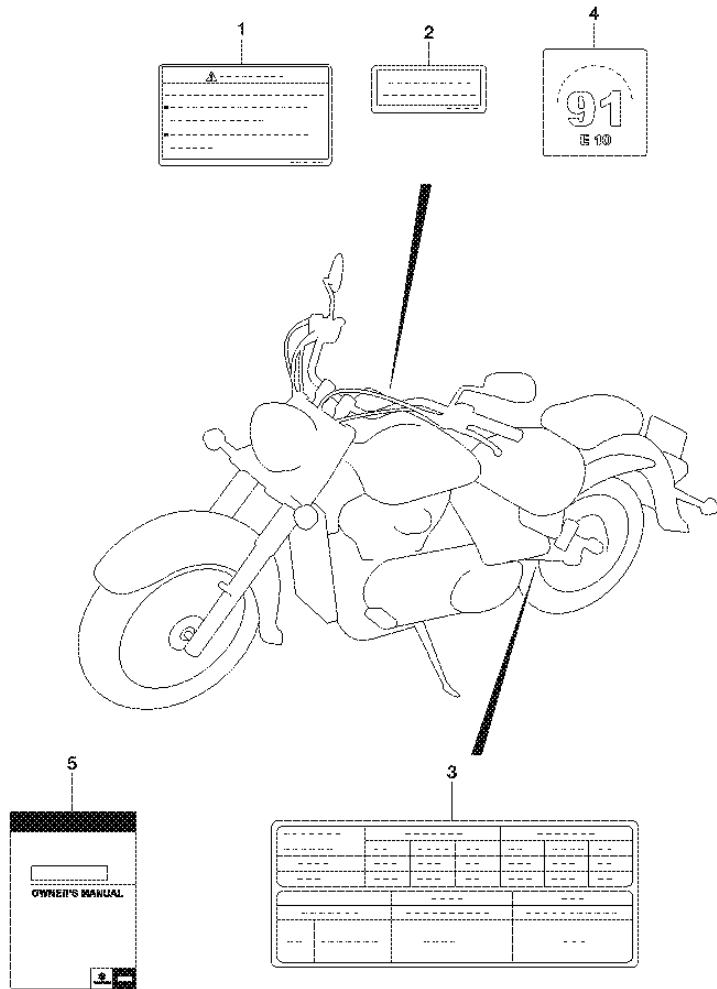
**FIG.478A**



**FIG.478A (1-F-3) LUGGAGE BOX**

REF NO.	PART NO.	DESCRIPTION	Q'TY	REMARKS
1	92211-41F00	BODY, LUGGAGE BOX	1	
2	92212-41F01	LID	1	
3	92213-41F00	CUSHION, BOX NO.2	1	
4	09111-06107	BOLT (6X12)	2	
5	33652-35F00	CUSHION, BOX	1	
6	48128-14FA0	CUSHION, BOX UPPER	1	
7	09280-63003	O RING (D:3.5,ID:62.6)	1	
8	09800-21055	TOOL ASSY	1	

**FIG.496A**

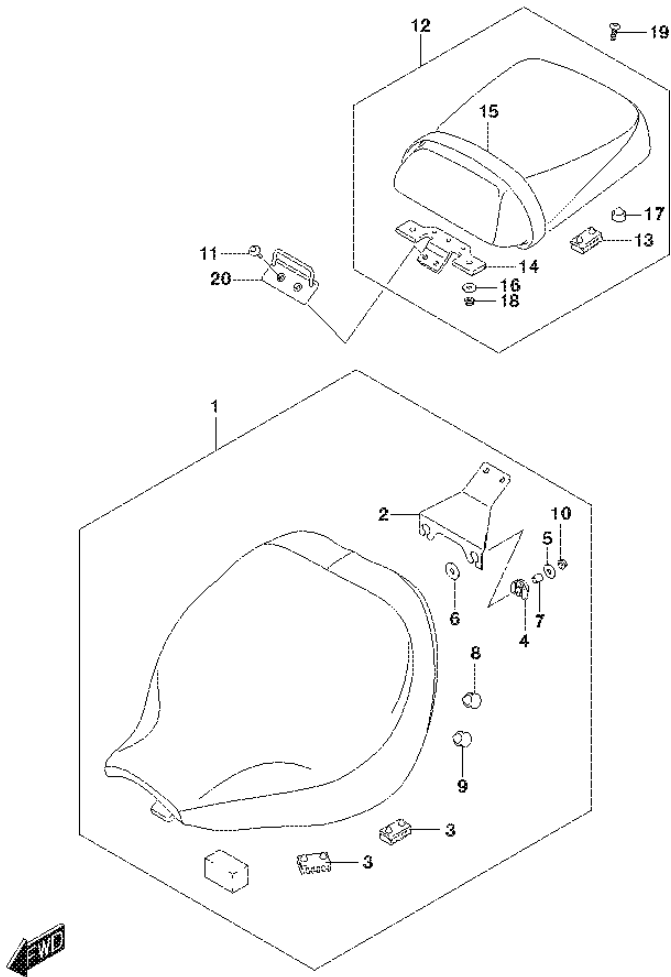


**FIG.496A (1-F-4) LABEL**

REF NO.	PART NO.	DESCRIPTION	Q'TY	REMARKS
1	68319-49JJ0	LABEL, GENERAL WARNING	1	
2	68318-15HJ0	LABEL, HELMET	1	
3	68332-41FS0	LABEL, TIRE INFORMATION	1	
4	11959-31J00	LABEL, FUEL LIMITATION (E10)	1	
5	99011-43H67-069	MANUAL, OWNER'S	1	



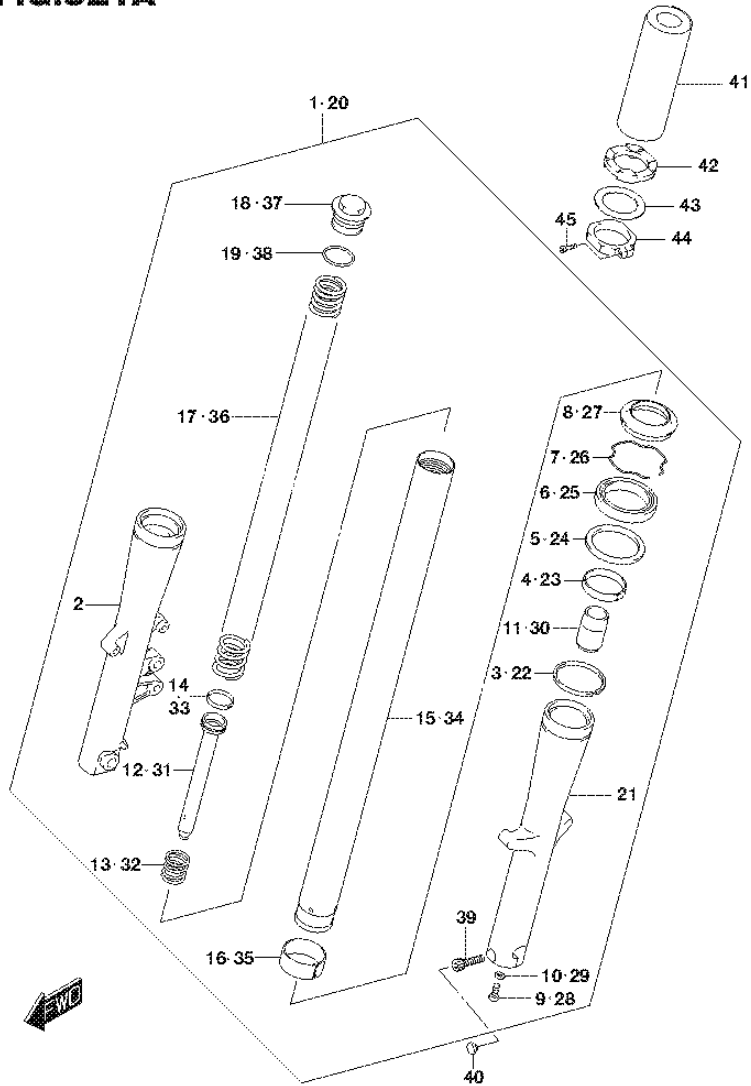
**FIG.505A**



**FIG.505A (1-F-5) SEAT**

REF NO.	PART NO.	DESCRIPTION	Q'TY	REMARKS
1	45100-43H00-V4Y	SEAT ASSY (BLACK)	1	
2	45115-43H00	.BRACKET, SEAT	1	
3	45149-31300	.CUSHION	4	
4	45215-43H00	.CUSHION	2	
5	09160-06088	.WASHER (6.5X20X1.6)	2	
6	09160-06501	.WASHER (6.5X24X1.6)	2	
7	09180-06288	.SPACER (6.5X10X11)	2	
8	09321-10002	.CUSHION (11.5X22X20)	2	
9	09321-10033	.CUSHION	2	
10	08316-1006A	.NUT	2	
11	09106-06064	BOLT (6X18)	2	
12	45300-43H00-V4Y	SEAT ASSY, PILLION (BLACK)	1	
13	45147-12FA0	.CUSHION	2	
14	45330-43H00	.BRACKET, PILLION SEAT	1	
15	45380-43H00-V4Y	.BAND, SEAT PILLION (BLACK)	1	
16	09160-06088	.WASHER (6.5X20X1.6)	2	
17	09321-10002	.CUSHION (11.5X22X20)	2	
18	08316-1006A	.NUT	2	
19	09106-08140	BOLT (8X16)	1	
20	45210-43H00	BRACKET, SEAT SUPPORT	1	

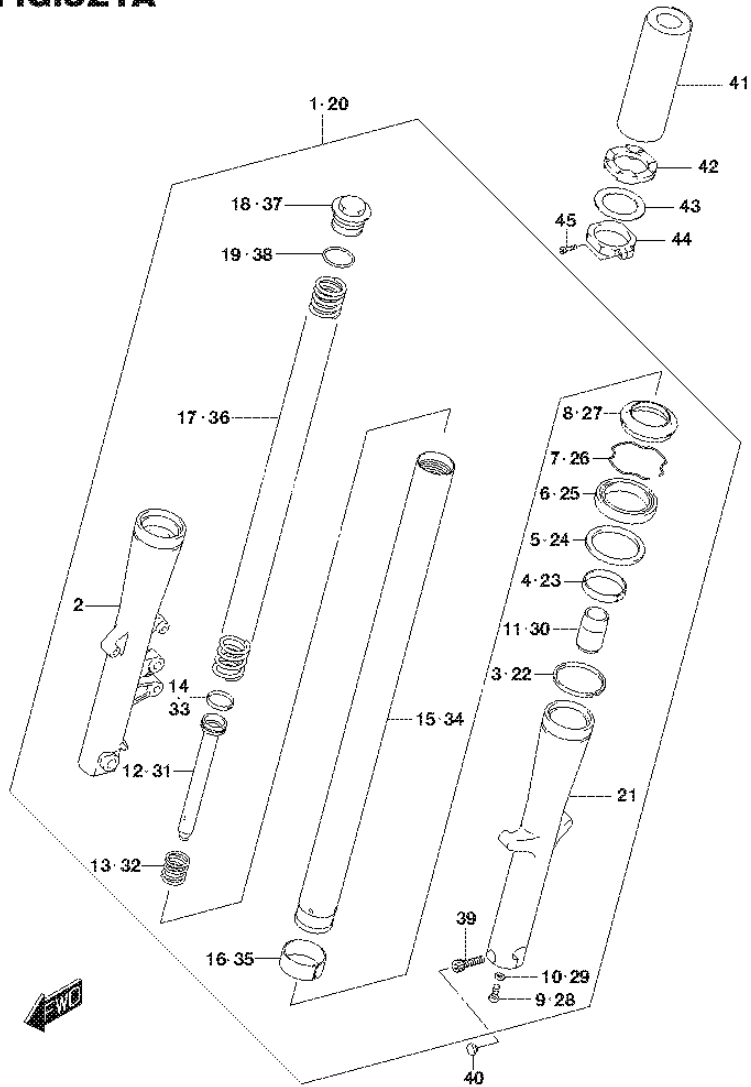
**FIG.521A**



**FIG.521A (1-F-6) FRONT FORK DAMPER**

REF NO.	PART NO.	DESCRIPTION	Q'TY	REMARKS
1	51103-41F40	DAMPER ASSY, FRONT FORK RH	1	
2	51131-41F20	.TUBE, OUTER RH	1	
3	51469-41F21	.GUIDE, CASE	1	
4	51152-11D60	.BUSH, GUIDE	1	
5	51168-38B00	.SPACER, SEAL	1	
6	51153-08D00	.SEAL, OIL	1	
7	51556-38B00	.RING	1	
8	51571-47D50	.SEAL, DUST	1	
9	51147-06F10	.BOLT	1	
10	51148-36011	.GASKET	1	
11	51195-10F00	.PIECE, OIL LOCK	1	
12	51146-10F00	.SEAT, PIPE	1	
13	51177-10F00	.SPRING, REBOUND	1	
14	51196-47D00	.RING	1	
15	51110-41F40	.TUBE, INNER	1	
16	51121-42E00	.BUSH, SLIDE	1	
17	51171-41F40	.SPRING, FRONT	1	
18	51189-47D50	.BOLT, FORK	1	
19	51117-12C00	.O RING	1	
20	51104-41F40	DAMPER ASSY, FRONT FORK LH	1	
21	51141-41F20	.TUBE, OUTER LH	1	
22	51469-41F21	.GUIDE, CASE	1	
23	51152-11D60	.BUSH, GUIDE	1	
24	51168-38B00	.SPACER, SEAL	1	
25	51153-08D00	.SEAL, OIL	1	
26	51556-38B00	.RING	1	
27	51571-47D50	.SEAL, DUST	1	
28	51147-06F10	.BOLT	1	
29	51148-36011	.GASKET	1	
30	51195-10F00	.PIECE, OIL LOCK	1	
31	51146-10F00	.SEAT, PIPE	1	
32	51177-10F00	.SPRING, REBOUND	1	
33	51196-47D00	.RING	1	
34	51110-41F40	.TUBE, INNER	1	

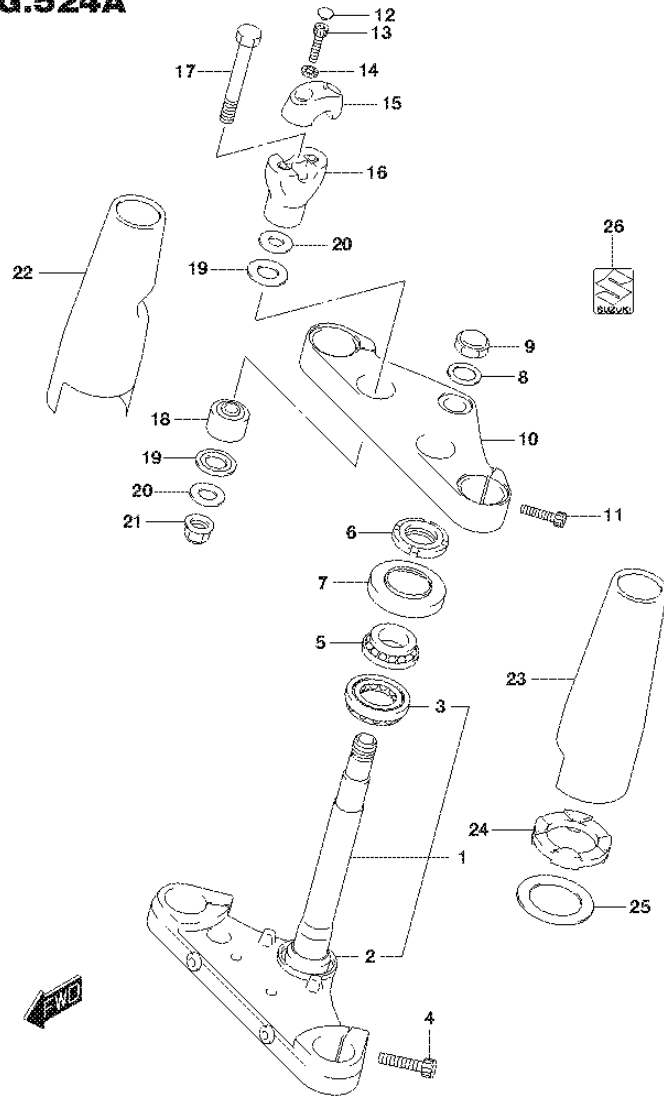
**FIG.521A**



**FIG.521A (1-F-7) FRONT FORK DAMPER**

REF NO.	PART NO.	DESCRIPTION	Q'TY	REMARKS
35	51121-42E00	.BUSH, SLIDE	1	
36	51171-41F40	.SPRING, FRONT	1	
37	51189-47D50	.BOLT, FORK	1	
38	51117-12C00	.O RING	1	
39	07130-10357	.BOLT	1	
40	09250-08014	CAP (OD:12)	1	
41	51464-41F21	CASE, UNDER	2	
42	51468-10F00	SEAT, RUBBER	2	
43	51467-10F70	WASHER	2	
44	51465-41F20	SPACER	2	
45	51466-10F00	BOLT	2	

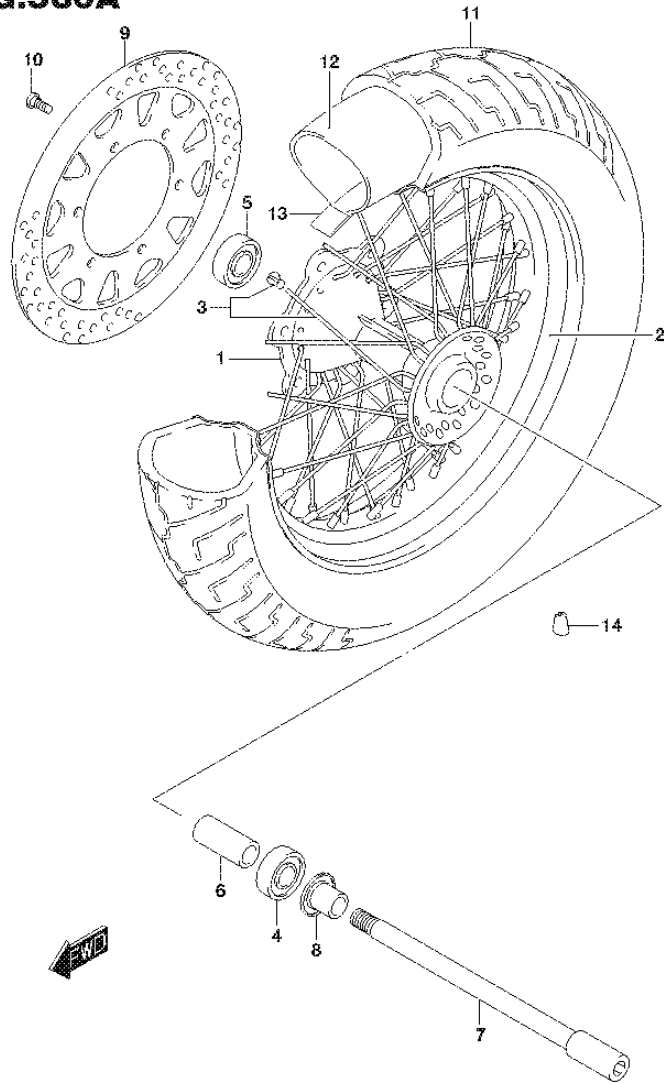
**FIG.524A**



**FIG.524A (1-F-8) STEERING STEM**

REF NO.	PART NO.	DESCRIPTION	Q'TY	REMARKS
1	51410-41F50	STEM, STEERING	1	
2	51644-12C00	.SEAL, STEERING LOWER	1	
3	09267-30010	.BEARING (30X55X17)	1	
4	07130-1030B	BOLT	2	
5	09267-25009	BEARING (25X47X15)	1	
6	51631-28000	NUT, STEM	1	
7	51643-40502	SEAL, DUST UPPER	1	
8	51356-24B01	WASHER (22.5X32X1.6)	1	
9	51353-24B00	NUT, STEM	1	
10	51311-41F40	HEAD, STEERING STEM	1	
11	51321-06G00	BOLT	2	
12	09250-06011	CAP (OD:11)	4	
13	51321-10F00	BOLT, HOLDER	4	
14	09164-08015	WASHER	4	
15	56211-41F20	HOLDER, HANDLE UPPER	2	
16	56221-41F20	HOLDER, HANDLE LOWER	2	
17	51226-41F20	BOLT, STAY	2	
18	56240-41F20	DAMPER, RUBBER	2	
19	56245-41F20	SEAT RUBBER	4	
20	51354-41F20	WASHER	4	
21	56246-41F20	NUT	2	
22	51530-41F20	COVER, UPPER, R	1	
23	51540-41F20	COVER, UPPER, L	1	
24	51468-10F00	SEAT, RUBBER	2	
25	51467-10F00	WASHER	2	
26	68281-47HA0	EMBLEM, "S"	1	

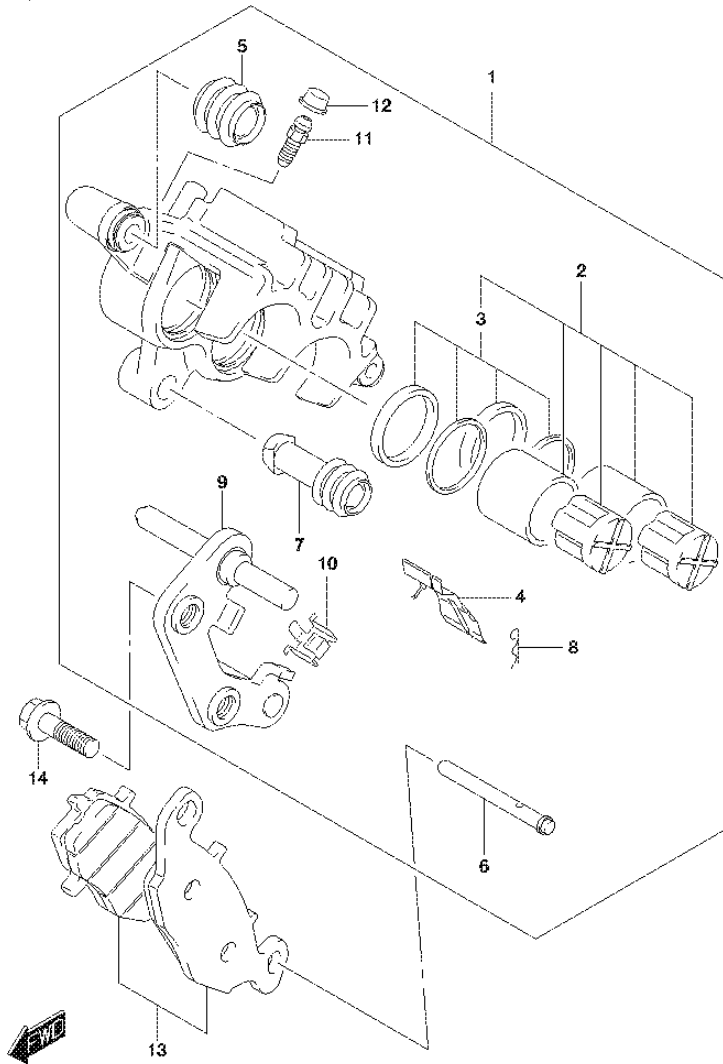
**FIG.530A**



**FIG.530A (1-F-9) FRONT WHEEL**

REF NO.	PART NO.	DESCRIPTION	Q'TY	REMARKS
1	54111-41F20	HUB, FRONT	1	
2	55311-41F01	RIM, FR WHEEL (16M/CXMT3.00)	1	
3	55320-41F00	SPOKE SET, FRONT WHEEL	1	
4	08133-62037	BEARING	1	LH
5	08143-62037	BEARING	1	RH
6	09180-17080	SPACER (17.5X25X102)	1	
7	54711-41F00	AXLE, FRONT	1	
8	54740-32C00	SPACER, AXLE LH	1	
9	59211-41F00	DISC, FRONT BRAKE RH	1	
10	59421-03A20	BOLT	6	
11	55100-41F00	TIRE, FRONT (130/90-16M/C 67H)	1	GS-23F IRC
12	55200-41F00	TUBE ASSY, WHEEL INNER	1	
13	55261-41F10	PROTECTOR, WHEEL INNER TUBE	1	
14-1	55411-26G00	BALANCER, WHEEL	AR	15G
14-2	55413-41F00	BALANCER, WHEEL	AR	30G

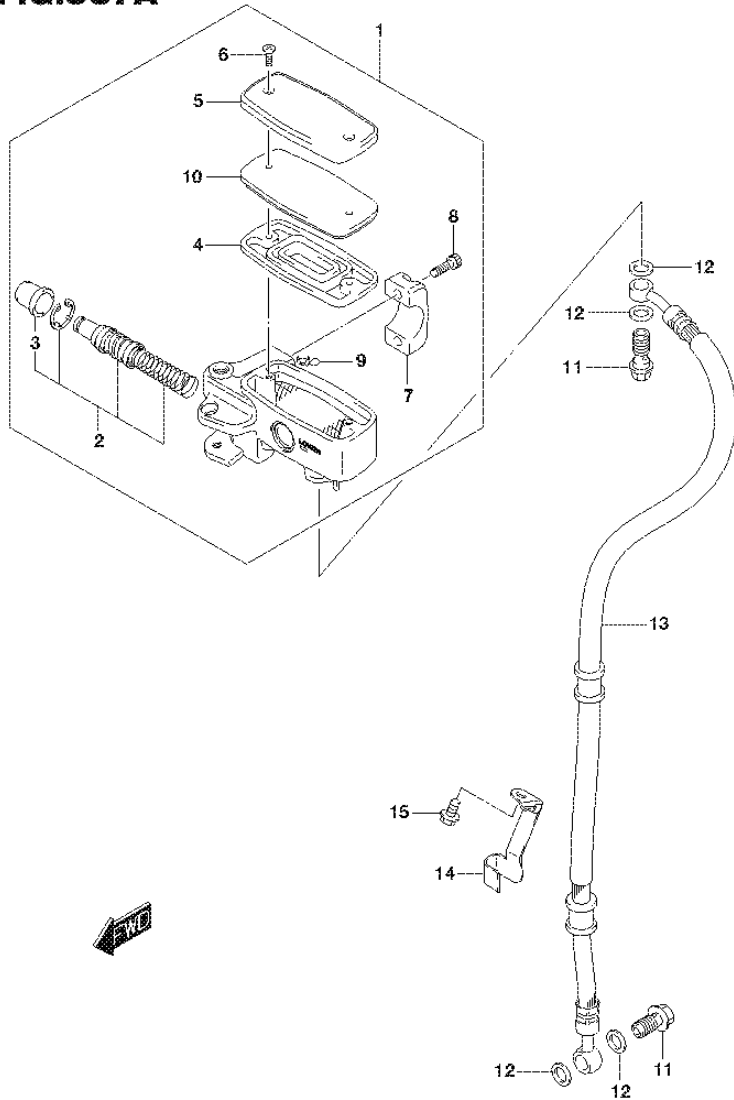
**FIG.535A**



**FIG.535A (1-F-10) FRONT CALIPER**

REF NO.	PART NO.	DESCRIPTION	Q'TY	REMARKS
1	59100-33DB1-999	CALIPER ASSY, FRONT RH	1	
2	59301-20810	.PISTON SET	1	
3	59300-33841	..SEAL SET, PISTON	1	
4	59115-33D00	.SPRING	1	
5	59112-44B00	.BOOT	1	
6	59141-44B01	.PIN	1	
7	59313-36500	.INSULATOR, AXLE	1	
8	69142-45000	.CLIP, PAD PIN	1	
9	59150-33D01	.CARRIER	1	
10	59116-33D00	.GUIDE, PAD	1	
11	59121-18410	.BLEEDER	1	
12	55156-66310	.CAP	1	
13	59102-33820	PAD SET	1	
14	09103-10379	BOLT (10X30)	2	

**FIG.537A**



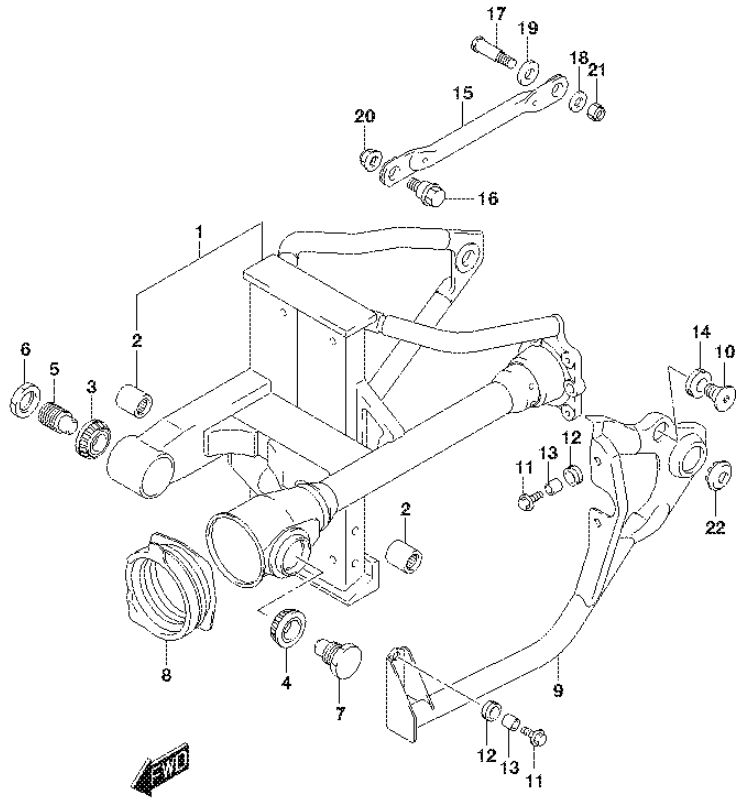
**FIG.537A (1-F-11) FRONT MASTER CYLINDER**

REF NO.	PART NO.	DESCRIPTION	Q'TY	REMARKS
1	59600-10F71	CYLINDER ASSY, FRONT MASTER	1	
2	59600-04810	.PISTON/CUP SET	1	
3	59666-44300	.BOOT	1	
4	59667-10F00	.DIAPHRAGM	1	
5	59669-10F10	.CAP	1	
6	02122-04127	.SCREW	2	
7	59671-10F00	.HOLDER	1	
8	07130-06207	.BOLT	2	
9	59664-32F00	.PROTECTOR	1	
10	57437-10F00	.PLATE	1	
11	09360-10062	UNION	2	
12	09161-10009	WASHER (10X15X1.5)	4	
13	59480-41F10	HOSE, FRONT BRAKE	1	
14	59266-43H00	CLAMP, BRAKE HOSE UPPER	1	
15	01550-0612A	BOLT	1	

**FIG.541A**

**FIG.541A (1-F-12) REAR SWINGINGARM**

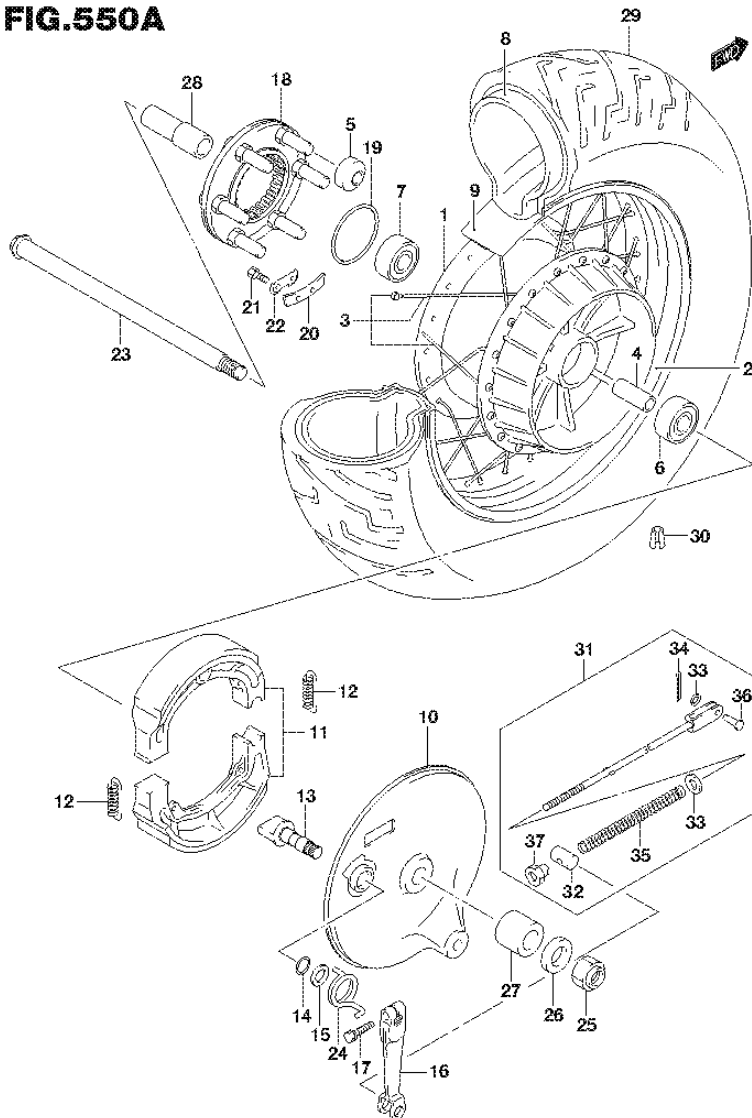
REF NO.	PART NO.	DESCRIPTION	Q'TY	REMARKS
1	61101-41890-019	SWINGING ARM SET, REAR (BLACK)	1	
2	09263-17037	.BEARING (17X24X25)	2	
3	09265-17013	BEARING (17X40X13.25)	1	
4	09265-17012	BEARING (17X40X13.25)	1	
5	61213-24A00	BOLT, PIVOT RH	1	
6	09140-24007	NUT	1	
7	61213-10F00	BOLT, PIVOT LH	1	
8	61372-41F00	BOOT, SHAFT	1	
9	61120-41F10-019	COVER, RR SWGARM LH (BLACK)	1	
10	61127-41F20	BOLT, RR SWGARM COVER, RR	1	
11	09116-06152	BOLT (6X20)	4	
12	09320-10056	CUSHION	4	
13	09180-06286	SPACER (6.5X10X9.4)	4	
14	09320-22003	CUSHION	1	
15	64310-41F00	TORQUE LINK, REAR	1	
16	09111-10062	BOLT (10X22)	1	
17	09111-10057	BOLT (10X41)	1	
18	09160-10142	WASHER (10X20X2.3)	1	
19	09320-12501	CUSHION	1	
20	08319-3110B	NUT	1	
21	08319-2110A	NUT	1	
22	41899-42F10	CAP	1	







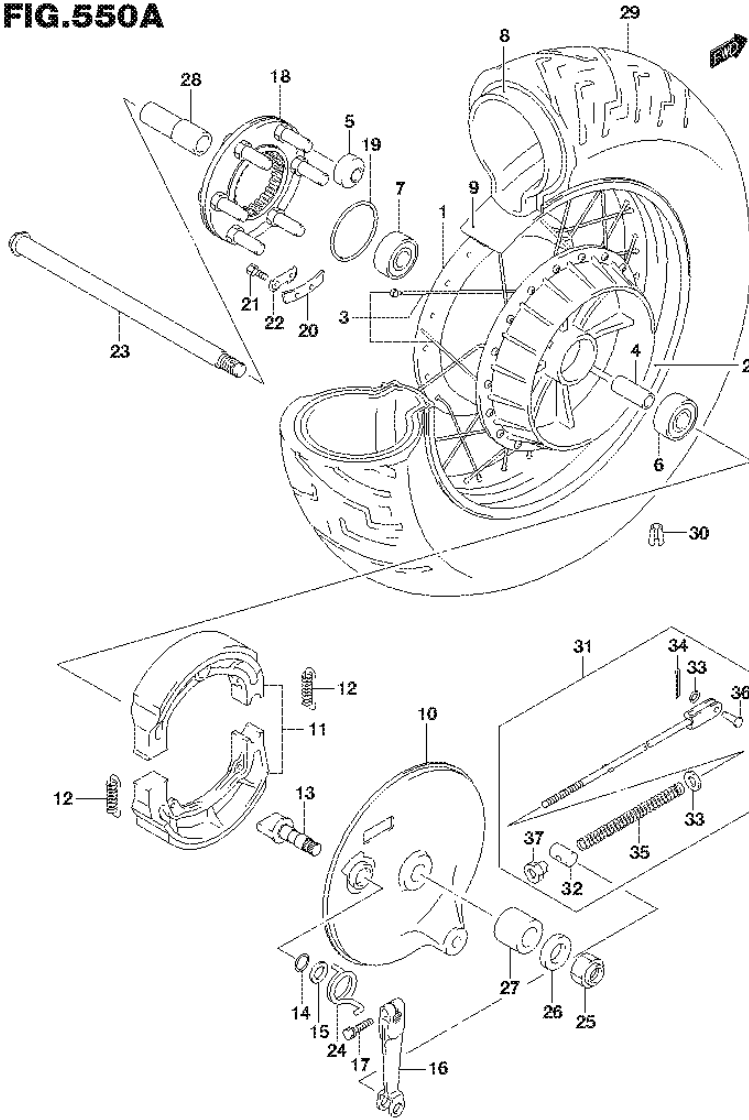
**FIG.550A**



**FIG.550A (1-F-14) REAR WHEEL**

REF NO.	PART NO.	DESCRIPTION	Q'TY	REMARKS
1	64110-41F20	HUB, REAR	1	
2	65311-41F00	RIM, REAR WHEEL (15M/CXMT4.00)	1	
3	65320-41F00	SPOKE SET, REAR WHEEL	1	
4	09180-17092	SPACER (17.5X25X113)	1	
5	09319-12019	BUSH	6	
6	08123-63037	BEARING	1	
7	08143-63037	BEARING	1	
8	65200-41F00	TUBE ASSY, WHEEL INNER	1	
9	65261-41F10	PROTECTOR, WHEEL INNER TUBE	1	
10	64210-38A70-20H	PANEL, REAR BRAKE ANCHOR (SILVER)	1	
11	64400-38820	SHOE SET, BRAKE	1	
12	55420-30000	SPRING, SHOE	2	
13	64441-38A20	CAM, BRAKE	1	
14	09280-15003	O RING (D:2.4,ID:14.8)	1	
15	09160-15048	WASHER (15.5X24X1.6)	1	
16	64451-38A40	LEVER, BRAKE CAM	1	
17	01570-06257	BOLT	1	
18	64680-45113	JOINT, HUB DRIVEN	1	
19	09280-65003	O RING (D:2.1,ID:65)	1	
20	64677-45110	WASHER, THRUST	3	
21	09119-06049	BOLT (6X16)	6	
22	09169-06030	WASHER	3	
23	64711-19F00	AXLE, REAR (L:302)	1	
24	09448-33006	SPRING	1	
25	08319-2116A	NUT	1	
26	09160-17050	WASHER (17X30X3.2)	1	
27	64741-41F00	SPACER, RH	1	
28	64772-34201	SPACER, LH	1	
29	65100-41F00	TIRE, REAR (170/80-15M/C 77H)	1	GS-23R IRC
30-1	55411-26G00	BALANCER, WHEEL	AR	15G
30-2	55413-41F00	BALANCER, WHEEL	AR	30G

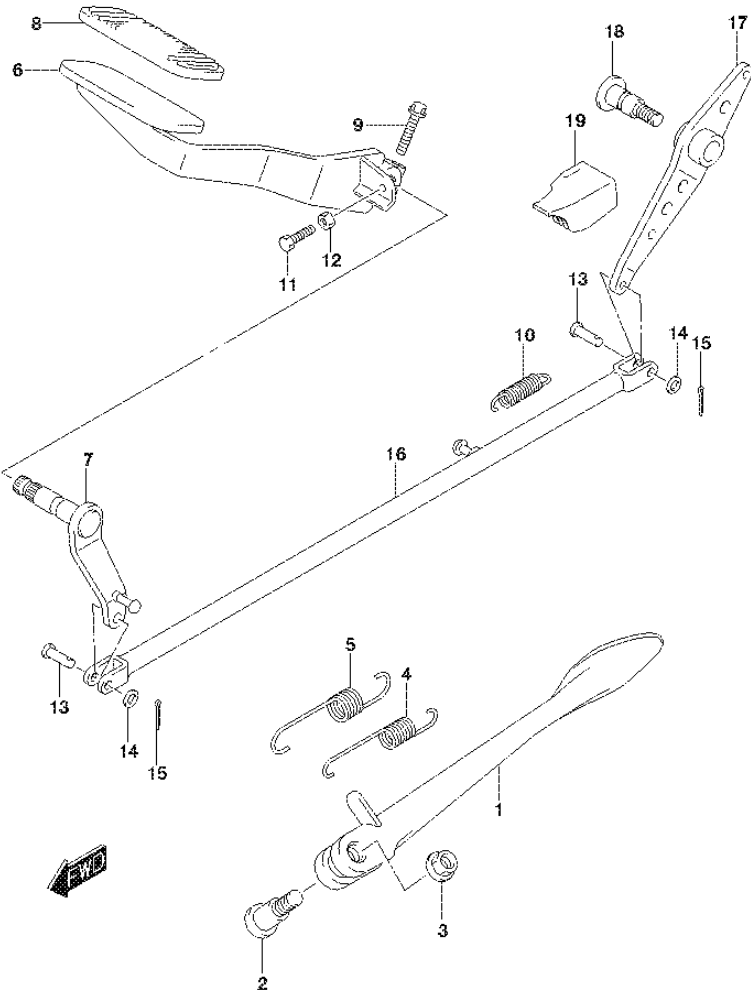
**FIG.550A**



**FIG.550A (1-F-15) REAR WHEEL**

REF NO.	PART NO.	DESCRIPTION	Q'TY	REMARKS
31	43300-41F00	ROD ASSY, REAR BRAKE	1	
32	09209-13018	.PIN (13X18)	1	
33	08322-0106B	.WASHER	2	
34	04111-2015A	.COTTER PIN	1	
35	09440-09004	.SPRING	1	
36	09200-06013	.PIN (10X16)	1	
37	09150-06010	.NUT	1	

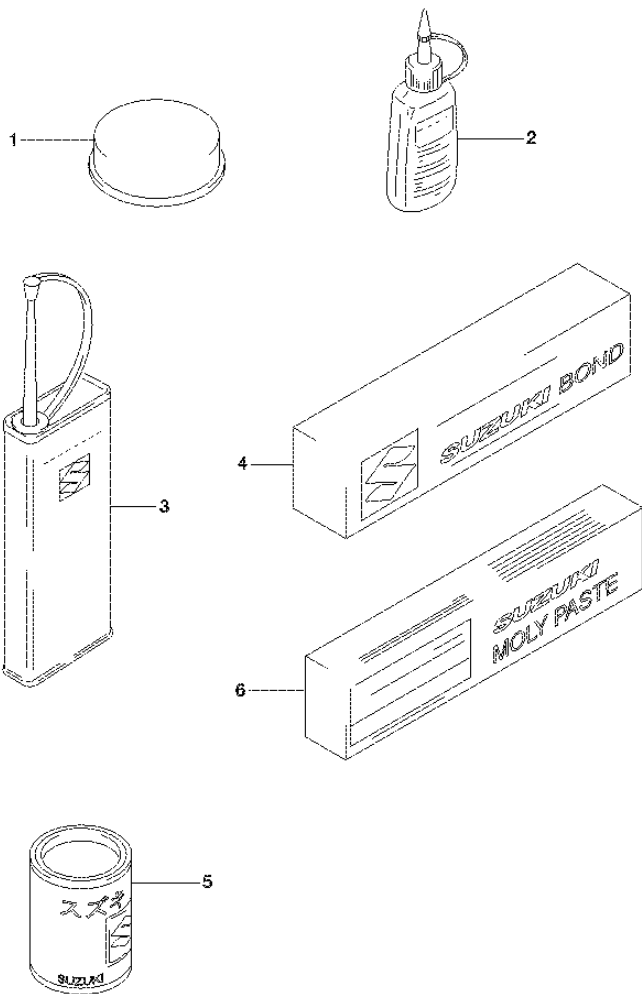
**FIG.556A**



**FIG.556A (1-G-2) REAR BRAKE**

REF NO.	PART NO.	DESCRIPTION	Q'TY	REMARKS
1	42310-41F01	STAND, PROP	1	
2	09111-10058	BOLT (10X37.5)	1	
3	42321-03FK0	NUT	1	
4	09443-14066	SPRING	1	
5	09443-19012	SPRING	1	
6	43110-41F11	PEDAL, BRAKE	1	
7	43120-41F00	ARM, BRAKE ROD	1	
8	43151-10F00	RUBBER, PEDAL	1	
9	07120-0625A	BOLT	1	
10	09443-12051	SPRING	1	
11	01500-06207	BOLT	1	
12	08310-00067	NUT	1	
13	09200-06068	PIN (6X18.2)	2	
14	08322-0106B	WASHER	2	
15	04111-2015A	COTTER PIN	2	
16	43130-41F00	ROD, FRONT	1	
17	43140-41F00	LINK, REAR BRAKE	1	
18	43142-27C00	SHAFT, LINK	1	
19	43151-41F00	RUBBER	1	

**FIG.901A**



**FIG.901A (1-G-3) OPTIONAL**

REF NO.	PART NO.	DESCRIPTION	Q'TY	REMARKS
1	99000-25110	SUZUKI PBC GREASE	1	20G
2-1	99000-32020	THREAD LOCK SUPER (1333B)	1	50G
2-2	99000-32030	THREAD LOCK SUPER (1303B)	1	50G
2-3	99000-32050	THREAD LOCK SUPER (1342)	1	50G
2-4	99000-32100	THREAD LOCK SUPER (1305)	1	50G
2-5	99000-32130	THREAD LOCK SUPER (1360)	1	50G
3	99000-32040	THREAD LOCK CEMENT	1	200G
4-1	99000-31140	SUZUKI BOND (1207B) BLACK	1	100G
4-2	99000-31110	SUZUKI BOND (1215)	1	100G
5	99000-25030	SUZUKI SUPER GREASE	1	150G
6	99000-25140	SUZUKI MOLY PASTE	1	50G

PART NO.	FIG.NO.-REF.NO.	PART NO.	FIG.NO.-REF.NO.	PART NO.	FIG.NO.-REF.NO.	
10000		11483-41F00	112A-3 101A-9 112A-14	12932-24400 12933-33201 13111-41F11	126A-20 126A-23 155A-1	
		11959-31J00	496A-4	13170-15G00	155A-3	
		11971-25D00	112A-6	13170-39G00	155A-2	
	11101-39G50	104A-1	11971-33210	112A-2	13269-18G00	140A-4
	11103-39G50	105A-1	12000-41830	120A-1	13271-43E00	140A-5
	11115-41F70	104A-3 105A-3	12100-41F10-050 12111-41F10-0F0	120A-12 120A-8	13291-26E00 13295-26E00	140A-6 140A-7
	11123-38A00	101A-2 104A-7	12140-41F00 12151-24A00	120A-9 120A-10	13401-41F32 13428-15H00	140A-1 140A-10
	11141-41F00	101A-3 104A-8	12160-45C30 12164-38E00-0A0	120A-5 120A-7-1	13473-41FA0 13473-41FB0	140A-21 140A-23
	11142-41F00	101A-4 105A-6	12164-38E00-0B0 12164-38E00-0C0	120A-7-2 120A-7-3	13473-41FC0 13474-41F20	140A-25 140A-27
	11171-41FA0	104A-19	12164-38E00-0D0	120A-7-4	13475-41F20	140A-29
11172-41F00	104A-20	12164-38E00-0E0	120A-7-5	13565-41F20	140A-2	
11173-41FA0	105A-18	12229-39G00-0A0	120A-3-1	13575-40F00	140A-14	
11174-41F00	105A-19	12229-39G00-0B0	120A-3-2	13580-40F21	140A-12	
11175-38A11	104A-21 105A-20	12229-39G00-0C0 12600-41851	120A-3-3 122A-5	13580-41F01 13601-21H00	140A-13 140A-3	
11176-38A11	104A-22 105A-21	12611-38A01 12611-38A11	122A-1 122A-3	13602-10F10 13602-34F50	140A-24 140A-20	
11177-38A00	101A-5 104A-23	12652-38A00 12711-41F00	120A-4 126A-1	13605-15H00 13605-40F00	140A-11 140A-15	
11179-10F10	105A-22 105A-23	12713-41F00 12731-38A00	126A-2 120A-13	13650-41F10 13650-57F00	155A-34 104A-44	
11181-41F00	104A-35	12741-37400 12741-41F00	126A-4 126A-3	13655-41F10 13680-39G00	155A-35 140A-44	
11182-38A00	104A-36	12747-44001	126A-5	13682-41F30	140A-36	
11186-41FB0	105A-24	12760-38A21	127A-2	13683-41FA0	140A-30	
11187-41F20	101A-6 105A-25	12760-41F01 12771-41F00	127A-1 127A-4	13683-41FC1 13683-41FD0	140A-35 140A-31	
11210-39G00-0F0	107A-1	12772-41F00	127A-3	13685-48B00	140A-38	
11220-39G00-0F0	107A-2	12811-41F00	127A-13	13693-24F00	140A-37	
11235-41F00	107A-8	12816-38A01	127A-14	13701-39G20	155A-4	
11237-41F00	107A-5	12831-38A01	127A-8	13726-39G20	155A-7	
11241-39G00	101A-7 107A-3	12832-41F01 12840-38A11	127A-9 126A-8	13727-39G20 13741-39G20	155A-6 155A-5	
11247-38A00	107A-7	12842-38A00	126A-9	13746-39G20	155A-12	
11302-39830	108A-1		126A-12	13747-39G20	155A-8	
11340-41F00	112A-1	12843-32400	126A-10	13747-41F00	155A-10	
11351-41F10	112A-13		126A-13	13761-39G20	155A-29	
11361-41F00	112A-26	12850-38A10	126A-11	13762-39G20	155A-30	
11362-39G00	112A-31	12861-39G00	126A-14	13763-39G20	155A-31	
11363-39G00	112A-32	12871-39G00	126A-15	13780-39G20	155A-11	
11402-41830	101A-1	12911-38A03	126A-18	13812-29C50	155A-18	
11451-38A00	108A-38	12912-38A03	126A-19	13826-39G21	155A-21	
11461-38A00	108A-41	12920-38A00	126A-22	13826-41F20	155A-20	
11482-41F00	101A-8	12931-33201	126A-21	13853-39G20	155A-24	

PART NO.	FIG.NO.-REF.NO.	PART NO.	FIG.NO.-REF.NO.	PART NO.	FIG.NO.-REF.NO.
13858-14D20	155A-22	16440-17C20	170A-8	18213-15H10	163A-37
13859-14D40	155A-27	16510-07J00	170A-10	18213-23H20	163A-38
13859-41B10	155A-13	16520-38A10	170A-14	18410-41F30	189A-2
13880-39G21	155A-19	16523-38A00	170A-11	18420-41F30	189A-5
13891-39G20	155A-14	16528-38A00	101A-11	18441-45C01	189A-8
14150-39G10	163A-1		170A-12	18450-39G01	189A-9
14160-39G00	163A-6	16591-06B01	108A-44	18461-39G00	189A-3
14167-22H00	163A-12	17200-17H00	427A-9	18471-39G00	189A-6
	163A-19	17400-38A10	180A-1	18487-39G00	189A-1
	163A-25	17410-41F30	180A-13	18590-32G00	140A-32
14181-10F00	101A-10	17412-41F00	180A-15	18598-41F00	140A-33
	163A-14	17417-38A00	180A-9	18599-39G00	140A-34
14185-39G00	163A-5	17431-38A10	180A-11	18610-39G00	189A-10
	163A-13	17435-38A00	180A-17	18620-41F00	189A-22
14185-41F00	163A-3	17470-02F10	180A-4	18711-39G00	189A-11
	163A-9	17491-38A00	180A-2	18712-39G00	189A-12
14193-39G00	163A-2	17511-38A00	180A-3	18713-39G00	189A-13
14194-39G00	163A-7	17515-38A00	180A-8	18780-41F20	189A-14
14195-39G00	163A-8	17516-38A00	180A-7		
14310-39G10-H01	163A-15	17670-33A00	180A-14		
14340-39G10-H01	163A-21	17680-33E00	187A-9		
14344-39G00	163A-16	17689-50F00	187A-10		
14345-39G00	163A-22	17710-41F20	185A-1		
14399-22H00	163A-17	17730-12C30	187A-1		
	163A-23	17760-41F00	185A-9		
14410-39G00	163A-27	17791-24D00	187A-2	21111-38A00	120A-14
14771-39G00	163A-28	17798-39G00	185A-10	21200-38840	201A-1
15100-41F30	172A-1		401A-22	21410-41F00	201A-5
15111-41F10	172A-2	17800-41F20	185A-5	21413-41F00	201A-15
15112-41F10	172A-3	17851-41F00	187A-6	21441-37400	201A-11
15115-10F00	172A-4	17852-41F02	187A-7	21442-37401	201A-12
15116-10F10	172A-5	17853-38A10	107A-13	21451-14A00	201A-13
15172-35F00	172A-6	17853-41F00	187A-4	21462-27A00	201A-14
15173-35F00	172A-7	17854-41F01	104A-42	21471-37400	201A-6
15201-35F00	172A-13	17855-41F00	187A-20	23110-27A00	201A-20
15410-41F30	172A-8	17856-41F00	187A-21	23111-45C00	201A-21
15420-41F10	172A-9	17858-38A10	180A-22	23117-45C00	201A-23
15425-41F10	172A-10	17890-41F00	180A-19	23121-31E00	201A-17
15429-41F10	172A-11	17891-41F10	104A-39	23130-45C00	201A-24
15429-41F20	172A-12		105A-37	23200-41F00	201A-25
15710-26GB0	140A-17	17892-41F00	107A-10	24120-41F00	206A-1
15721-10G00	140A-26	17899-41F00	107A-11	24131-38A03	206A-15
15721-21H00	140A-18	17911-41F11	187A-11	24135-38A02	206A-16
15721-24F00	140A-22	17932-12C00	187A-12	24221-38A01	206A-2
15721-41F20	140A-28	17981-19F00	187A-15	24231-41F00	206A-3
15722-21H00	140A-19	17981-41F11	187A-14	24241-41F00	206A-4
15810-39G03	172A-14	18117-15H12	140A-8	24251-41F00	206A-6
16310-38A00	170A-7	18117-52G00	140A-39	24252-38A10	206A-7
16331-38A10	170A-3	18119-05H00	140A-9	24311-41F00	206A-18
16400-38A01	170A-1	18119-39G00	140A-40	24321-41F00	206A-21

20000

PART NO.	FIG.NO.-REF.NO.	PART NO.	FIG.NO.-REF.NO.	PART NO.	FIG.NO.-REF.NO.
24322-19F00	206A-5	27326-34810	220A-23	33651-37000	310A-2
24331-41F00	206A-24	27326-34820	220A-22	33652-20C00	310A-3
24332-07A00	206A-19	27327-34810	220A-18	33652-35F00	478A-5
	206A-25	27328-34200	220A-19	33652-47F00	339A-8
24341-41F00	206A-30	27329-34200	220A-24	33810-41F00	310A-4
24351-41F00	206A-31	27445-38810	220A-13	33820-48E00	310A-6
24621-38A00	206A-32	27450-38A70-20H	220A-27	33860-41F00	310A-8
24631-38A00	216A-8	27460-07A01	220A-28	33960-06G10	312A-24
24632-38A00	216A-9			33961-41F00	312A-25
24741-21A00	212A-18			34120-43H00	330A-1
24741-38A00	206A-12			34124-16G00	330A-2
24751-38A00	206A-34			34125-43H00	330A-3
24900-41810	216A-1	30000		34126-44G00	330A-4
24922-38A00	216A-10			34151-43H00	330A-5
24935-38810	216A-16			34153-43H00	330A-6
24942-38A50	216A-4	31100-45C01	301A-1	34156-43H00	330A-7
24943-38A50	216A-5	31132-45C00	301A-4	34167-13E00	330A-8
24945-05810	216A-17	31143-38300	301A-3	34183-29F00	330A-9
25211-38A10	212A-1	31150-38A00	301A-5	34193-43H00	330A-10
25221-38A10	212A-2	31156-38A00	301A-11	34810-41F11	420A-12
25310-41F00	212A-4	31170-43400	301A-2	34938-41F40	330A-18
25312-38A00	212A-25	31172-38300	301A-6	34983-27G00	330A-20
25322-31310	212A-6	31173-88C00	301A-7	34990-41F10	330A-19
25323-34201	212A-7	31210-41F00	301A-14	34996-43410	330A-11
25324-34201	212A-8	31212-38A10	301A-15	35100-06J31-999	333A-1
25331-38A00	212A-11	31264-44110	301A-9	35121-10FB0	333A-2
25332-38A10	212A-15	31281-24B10	301A-10	35130-10FA0	333A-10
25341-38A00	212A-12	31497-45000	303A-8	35133-45230	333A-8
25350-38A00	212A-20	31800-21E20	312A-1	35135-45900	333A-12
25355-38A10	212A-22	31861-47E00	312A-2	35139-38A60	333A-7
25380-38A02	212A-24	31861-48B10	310A-5	35140-06J02	333A-6
25411-38A00	212A-3	32101-41F10	303A-1	35151-10FA0	333A-13
25510-38A00	212A-26	32102-41F10	303A-2	35152-45600	333A-15
25520-38B00	212A-31	32371-38A10	303A-9	35154-10FA0	333A-14
25525-41F00	212A-34	32371-41F00	303A-10	35155-10FA0	333A-9
25526-47000	212A-32	32371-45C00	303A-11	35158-10FA0	333A-16
	212A-38	32800-16A00	350A-4	35174-19F00	333A-3
25600-41F20	212A-37	32800-47H00	312A-5	35181-19F00	333A-11
25617-41F00	212A-41	32920-39GJ0	312A-23	35601-41FA0	334A-1
25652-10F00	212A-39	33410-39G00	312A-8	35602-41FA0	334A-5
25671-01011	212A-29	33410-39G10	312A-9	35603-38AH0	334A-17
27100-38A60	220A-36	33414-39G00	312A-10	35604-38AH0	334A-21
27151-41F00	220A-37	33420-39G00	312A-11	35610-38AE1	334A-2
27172-38A00	220A-35	33420-41F10	312A-12	35610-38AH0	334A-18
27301-38840-20H	220A-1	33510-11410	312A-19	35616-41FA2	334A-9
27311-38A00	220A-2	33510-38B00	312A-20	35620-43H01	334A-26
27312-38A00	220A-4	33541-47D00	312A-21	35621-43H00	334A-31
27313-38A00	220A-5	33542-38B00	312A-22	35622-06J00	334A-32
27313-38A10	220A-6	33610-48E31	310A-1	35623-38AA0	334A-3
27320-45C01	220A-3	33624-16E00	310A-7		334A-7

PART NO.	FIG.NO.-REF.NO.	PART NO.	FIG.NO.-REF.NO.	PART NO.	FIG.NO.-REF.NO.
		334A-19	41100-41F80-019	401A-1	44542-41F00
		334A-23	41310-41F50	402A-6	44880-43H00
35623-41400	339A-2	339A-2	41540-41F30	401A-8	312A-26
35623-43H00	334A-33	334A-33	41610-41F00	402A-1	427A-12
35630-38AE1	334A-6	334A-6	41620-41F00	402A-2	44882-26E00
35630-38AH0	334A-22	334A-22	41899-42F10	541A-22	44883-26E00
35641-41F02	334A-12	334A-12	41920-41F00	401A-5	44892-24A00
35657-43H00	334A-34	334A-34	41941-41F00	401A-7	44894-24A00
35710-43H00	339A-1	339A-1	42310-41F01	556A-1	140A-41
35713-43H00	339A-3	339A-3	42321-03FK0	556A-3	427A-5
35717-43H00	339A-4	339A-4	43110-41F11	556A-6	45100-43H00-V4Y
35765-43H00	339A-5	339A-5	43120-41F00	556A-7	505A-1
35910-14F01	339A-9	339A-9	43130-41F00	556A-16	45115-43H00
35912-14F11	339A-10	339A-10	43140-41F00	556A-17	45147-12FA0
35927-43H00	339A-12	339A-12	43142-27C00	556A-18	45149-31300
35928-43H00	339A-16	339A-16	43151-01400	212A-40	45210-43H00
35970-05H00	339A-25	339A-25	43151-10F00	556A-8	45215-43H00
36510-39F00	330A-12	330A-12	43151-41F00	556A-19	45300-43H00-V4Y
36610-43H70	350A-1	350A-1	43300-41F00	550A-31	45330-43H00
36611-16G00	140A-47	140A-47	43501-10F11	415A-1	45380-43H00-V4Y
	350A-9	350A-9	43502-10F11	415A-7	45380-43H00-V4Y
36611-38A10	350A-5	350A-5	43510-41F30	415A-13	45380-43H00-V4Y
36611-41F00	350A-10	350A-10	43520-41F30	415A-14	45380-43H00-V4Y
36717-41F00	350A-6	350A-6	43539-10F00	415A-16	47110-43H20-YVB
36854-39G00	350A-11	350A-11	43550-10F10	415A-2	47110-43H20-YVB
36856-41F00	333A-2	333A-2		415A-8	47110-43H20-YVWW
36858-41F00	350A-13	350A-13	43576-07D01	415A-3	47130-41F00
36920-33C00	350A-14	350A-14		415A-9	47133-43H00
	350A-15	350A-15	43600-41F60	415A-19	47141-41F01-019
37100-41F70	350A-24	350A-24	43610-39G10	415A-20	47166-41F00
37102-41880	350A-23	350A-23		415A-26	47191-24F00
37146-41FA0	333A-40	333A-40	43612-39G00	415A-21	47210-43H10-YVB
37187-41F10	350A-25	350A-25		415A-27	47210-43H10-YVWW
37200-48GA1	355A-1	355A-1		415A-22	47217-41F00
37400-48G60	355A-6	355A-6	43636-25D00	415A-28	47231-41F00
37730-41F02	212A-45	212A-45		415A-19	47241-41F00-019
37740-24A00	350A-27	350A-27		415A-20	47350-41F10-019
37820-33D10	108A-45	108A-45		415A-26	47355-41F01
37822-33D00	108A-46	108A-46		415A-21	47360-41F12-019
37840-41F00	350A-29	350A-29		415A-27	47410-41F02
38500-41F30	350A-32	350A-32		415A-22	48128-14FA0
38610-03F00	334A-42	334A-42		415A-28	
38740-24A00	350A-34	350A-34		415A-25	
38740-24X50	350A-35	350A-35		44100-43H40-YVB	
				44100-43H40-YVWW	
				44191-43H00	
				44192-39G00	
				44200-41840	
				44240-17C00	
				44291-43H00	
				44294-43H00	
				44434-39G01	
				44435-39G10	
				44436-43H00	
				44480-41F00	
				44541-14F10	
				44541-41F01	
				44191-43H00	
				44192-39G00	
				44200-41840	
				44240-17C00	
				44291-43H00	
				44294-43H00	
				44434-39G01	
				44435-39G10	
				44436-43H00	
				44480-41F00	
				44541-14F10	
				44541-41F01	
				44191-43H00	
				44192-39G00	
				44200-41840	
				44240-17C00	
				44291-43H00	
				44294-43H00	
				44434-39G01	
				44435-39G10	
				44436-43H00	
				44480-41F00	
				44541-14F10	
				44541-41F01	
				44191-43H00	
				44192-39G00	
				44200-41840	
				44240-17C00	
				44291-43H00	
				44294-43H00	
				44434-39G01	
				44435-39G10	
				44436-43H00	
				44480-41F00	
				44541-14F10	
				44541-41F01	
				44191-43H00	
				44192-39G00	
				44200-41840	
				44240-17C00	
				44291-43H00	
				44294-43H00	
				44434-39G01	
				44435-39G10	
				44436-43H00	
				44480-41F00	
				44541-14F10	
				44541-41F01	
				44191-43H00	
				44192-39G00	
				44200-41840	
				44240-17C00	
				44291-43H00	
				44294-43H00	
				44434-39G01	
				44435-39G10	
				44436-43H00	
				44480-41F00	
				44541-14F10	
				44541-41F01	
				44191-43H00	
				44192-39G00	
				44200-41840	
				44240-17C00	
				44291-43H00	
				44294-43H00	
				44434-39G01	
				44435-39G10	
				44436-43H00	
				44480-41F00	
				44541-14F10	
				44541-41F01	
				44191-43H00	
				44192-39G00	
				44200-41840	
				44240-17C00	
				44291-43H00	
				44294-43H00	
				44434-39G01	
				44435-39G10	
				44436-43H00	
				44480-41F00	
				44541-14F10	
				44541-41F01	
				44191-43H00	
				44192-39G00	
				44200-41840	
				44240-17C00	
				44291-43H00	
				44294-43H00	
				44434-39G01	
				44435-39G10	

PART NO.	FIG.NO.-REF.NO.	PART NO.	FIG.NO.-REF.NO.	PART NO.	FIG.NO.-REF.NO.
51146-10F00	521A-12	51850-43H00	451A-8	57541-48G10	467A-18
	521A-31	51859-43H00	451A-12	57560-05A10	467A-15
51147-06F10	521A-9	53110-43H02-YVB	460A-1-1	57562-41G01	467A-16
	521A-28	53110-43H02-YWW	460A-1-2	57621-48G11	467A-9
51148-36011	521A-10	53120-43H00	460A-3	57623-48G00	467A-11
	521A-29	53121-41FA0	460A-2	58200-41F30	462A-11
51152-11D60	521A-4	53145-17C11	474A-9	58300-43H00	462A-12
	521A-23	53145-40A00	401A-14	58300-43H10	462A-13
51153-08D00	521A-6		401A-16	58620-41F00	462A-17
	521A-25	53146-05G00	401A-17	58626-41F01	462A-14
51168-38B00	521A-5	53181-41F00	460A-7	59100-33DB1-999	535A-1
	521A-24	53276-41F10	460A-5	59102-33820	535A-13
51171-41F40	521A-17	54111-41F20	530A-1	59112-44B00	535A-5
	521A-36	54711-41F00	530A-7	59115-33D00	535A-4
51177-10F00	521A-13	54740-32C00	530A-8	59116-33D00	535A-10
	521A-32	55100-41F00	530A-11	59121-18410	535A-11
51189-47D50	521A-18	55156-66310	535A-12	59141-44B01	535A-6
	521A-37	55200-41F00	530A-12	59150-33D01	535A-9
51195-10F00	521A-11	55261-41F10	530A-13	59211-41F00	530A-9
	521A-30	55311-41F01	530A-2	59266-43H00	537A-14
51196-47D00	521A-14	55320-41F00	530A-3	59300-33841	535A-3
	521A-33	55411-26G00	530A-14-1	59301-20810	535A-2
51226-41F20	524A-17		550A-30-1	59313-36500	535A-7
51311-41F40	524A-10	55413-41F00	530A-14-2	59421-03A20	530A-10
51321-06G00	524A-11		550A-30-2	59480-41F10	537A-13
51321-10F00	524A-13	55420-30000	550A-12	59600-04810	537A-2
51353-24B00	524A-9	56111-41F30	462A-1	59600-10F71	537A-1
51354-41F20	524A-20	56200-10892	462A-2	59664-32F00	537A-9
51356-24B01	524A-8	56211-41F20	524A-15	59666-44300	537A-3
51410-41F50	524A-1	56221-41F20	524A-16	59667-10F00	537A-4
51464-41F21	521A-41	56240-41F20	524A-18	59669-10F10	537A-5
51465-41F20	521A-44	56245-41F20	524A-19	59671-10F00	537A-7
51466-10F00	521A-45	56246-41F20	524A-21		
51467-10F00	524A-25	56272-10G10	462A-7		
51467-10F70	521A-43	56272-26D01	462A-4		
51468-10F00	521A-42	56273-10G10	462A-8		
	524A-24	56276-17D00	462A-5		
51469-41F21	521A-3	56500-39H00	462A-9		
	521A-22	56600-39H00	462A-10		
51530-41F20	524A-22	57110-26D10	467A-1		
51540-41F20	524A-23	57210-26D00	467A-7	61101-41890-019	541A-1
51556-38B00	521A-7	57300-48G10	467A-2	61120-41F10-019	541A-9
	521A-26	57431-48G00	467A-3	61127-41F20	541A-10
51571-47D50	521A-8	57437-10F00	537A-10	61213-10F00	541A-7
	521A-27	57441-08C00	467A-13	61213-24A00	541A-5
51631-28000	524A-6	57442-08C00	467A-14	61372-41F00	541A-8
51643-40502	524A-7	57460-14J01	467A-5	62100-41FA0	543A-6
51644-12C00	524A-2	57465-17C00	467A-6	62600-33890	543A-1
51811-06J00	451A-1	57500-48G12	467A-8	62621-33D00	543A-9
51821-06J00	451A-3	57531-48G00	467A-10		543A-14

60000

PART NO.	FIG.NO.-REF.NO.	PART NO.	FIG.NO.-REF.NO.	PART NO.	FIG.NO.-REF.NO.
62626-33D00	543A-8				155A-33
	543A-13				170A-2
62641-41F00	543A-12	90000	01547-0630A		104A-15
62668-42A02	543A-6				105A-14
62684-12C00	543A-5			01547-0635A	312A-18
62684-40A10	543A-11	92211-41F00	478A-1	01547-0640A	104A-16
63110-43H00-YVB	474A-1-1	92212-41F01	478A-2		105A-15
63110-43H00-YWW	474A-1-2	92213-41F00	478A-3		108A-19
63130-43H00	474A-10	94422-06G00	401A-18	01547-06557	104A-32
63150-43H00	474A-11	94474-17H00	350A-16		105A-33
63160-43H00	474A-12	94631-35F00	445A-3	01550-0610A	108A-18
63161-41F00	474A-5	95700-07860	445A-17		415A-4
64110-41F20	550A-1	95700-41821	402A-4		415A-10
64210-38A70-20H	550A-10	99000-25030	901A-5	01550-0610B	474A-13
64310-41F00	541A-15	99000-25110	901A-1	01550-0612A	140A-42
64400-38820	550A-11	99000-25140	901A-6		334A-39
64441-38A20	550A-13	99000-31110	901A-4-2		462A-18
64451-38A40	550A-16	99000-31140	901A-4-1		537A-15
64677-45110	550A-20	99000-32020	901A-2-3	01550-0612B	462A-15
64680-45113	550A-18	99000-32030	901A-2-2	01550-0616A	462A-16
64711-19F00	550A-23	99000-32040	901A-3	01550-0620B	350A-30
64741-41F00	550A-27	99000-32050	901A-2-3	01550-0625A	339A-23
64772-34201	550A-28	99000-32100	901A-2-4	01550-0812A	108A-20
65100-41F00	550A-29	99000-32130	901A-2-5		108A-31
65200-41F00	550A-8	99011-43H67-069	496A-5	01550-0816A	350A-33
65261-41F10	550A-9				401A-2
65311-41F00	550A-2				401A-10
65320-41F00	550A-3				220A-30
68110-43H00-AJY	420A-2-1	00000	01550-0825A		451A-9
68110-43H00-BBL	420A-2-2			01550-0835A	108A-22
68271-34A00-YES	474A-2-1	01500-06207	556A-11		420A-11
68271-34A00-YJH	474A-2-2	01500-0625A	451A-5	01550-0840A	108A-23
68281-47HA0	524A-26	01547-0508A	301A-16	01550-0845B	163A-34
68318-15HJ0	496A-2	01547-0610A	312A-17	01550-0850A	108A-24
68319-49J0	496A-1	01547-0612A	401A-9	01550-0855A	108A-25
68332-41FS0	496A-3	01547-0616A	107A-12		108A-27
69142-45000	535A-8		180A-21	01550-0860A	108A-26
			187A-3	01550-0865A	108A-28
			189A-19	01550-0875A	108A-30
			312A-31	01570-06257	550A-17
		01547-0620A	104A-31	01580-1030B	415A-15
			105A-32	02112-0510B	355A-3
			105A-34	02112-0530B	355A-7
		80000	107A-6	02112-0535B	355A-4
			170A-13	02112-0545B	355A-2
87873-56K50	462A-22		180A-18		355A-8
			212A-33	02112-0612B	180A-12
			460A-4	02112-0616A	180A-16
		01547-0625A	104A-14	02112-7512A	170A-15
			105A-13	02122-04127	537A-6



PART NO.	FIG.NO.-REF.NO.	PART NO.	FIG.NO.-REF.NO.	PART NO.	FIG.NO.-REF.NO.
02122-0520A	333A-4	08143-62037	530A-5		112A-30
02142-0408A	427A-6	08143-63037	550A-7	09103-06226	112A-10
02142-0610A	427A-15	08211-0611A	212A-23		112A-19
02162-0620B	312A-7	08211-06182	127A-6	09103-06238	112A-9
03511-0516B	155A-36	08211-10305	206A-17	09103-06261	301A-13
03541-0412A	334A-40	08310-00067	201A-27	09103-06270	112A-4
03541-0510A	334A-41		301A-8	09103-06304	104A-4
03541-0512A	339A-7		556A-12		105A-4
	350A-31	08310-0006A	212A-36	09103-06305	104A-5
	330A-17	08310-0010A	212A-44		105A-5
03541-0525B	155A-15	08310-0010B	334A-11		105A-12
04111-2015A	550A-34	08313-2006A	189A-20	09103-06507	334A-25
	556A-15	08316-1005A	339A-26	09103-08105	108A-29
04211-09189	112A-11	08316-1006A	140A-43	09103-08164	108A-7
	112A-20		212A-16	09103-08179	108A-6
04211-13189	104A-17		334A-30	09103-08283-A05	163A-33
	105A-16		339A-15	09103-08365	163A-11
	107A-4		339A-24		163A-18
04221-04089	212A-5		505A-10		163A-24
04221-05109	126A-6		505A-18	09103-08370	104A-9
04221-07129	216A-20	08316-1006B	189A-21		105A-7
07120-0516A	212A-47		445A-18	09103-08405	108A-4
07120-0612A	172A-15	08316-1008B	474A-7	09103-08406	108A-5
07120-0616A	163A-4	08319-2106A	467A-4	09103-08412	415A-31
	163A-10	08319-2110A	541A-21	09103-10064	543A-17
	163A-20	08319-2116A	550A-25	09103-10101	543A-18
	163A-26	08319-3106A	467A-12	09103-10133	104A-10
	201A-30	08319-3108B	451A-11		105A-8
07120-0620A	201A-29	08319-3110A	543A-19	09103-10134	104A-11
07120-0625A	556A-9	08319-3110B	401A-4		105A-9
07120-0630A	104A-18		541A-20	09103-10300	212A-42
	105A-17	08319-3112A	543A-7	09103-10379	535A-14
07130-0510A	303A-4		543A-10	09103-10393	187A-27
07130-0610A	303A-12		543A-15	09103-10705	108A-36
07130-0612A	104A-40	08322-0106B	550A-33	09103-10706	108A-35
	105A-41		556A-14	09103-12013	120A-15
07130-06207	467A-17	08331-3112A	170A-6	09103-14001	303A-5
	537A-8	08331-31219	216A-12	09106-05033	312A-13
07130-0620A	104A-37	08331-31289	206A-29	09106-06064	505A-11
	127A-10	08332-1104B	415A-24	09106-06075	108A-40
07130-0630A	127A-11		415A-30	09106-08097	216A-13
07130-0640A	303A-3	08332-1106A	415A-18		216A-19
07130-0645A	127A-12	08332-1108A	180A-10	09106-08105	122A-6
07130-0680B	104A-6	08361-2508A	163A-36	09106-08107	163A-35
07130-0812B	334A-15	08361-3506A	301A-12	09106-08140	402A-7
07130-1030B	524A-4	09100-06129	127A-5		505A-19
07130-10357	521A-39	09100-06169	126A-7	09106-08178	163A-29
07130-1035B	401A-3	09103-06213	112A-8	09108-06102	104A-25
08123-63037	550A-6	09103-06215	112A-17		105A-26
08133-62037	530A-4	09103-06216	112A-18	09108-10095	220A-14

PART NO.	FIG.NO.-REF.NO.	PART NO.	FIG.NO.-REF.NO.	PART NO.	FIG.NO.-REF.NO.
09111-06085	187A-13	09160-05045	333A-5	09160-48008	108A-2-8
09111-06107	333A-18	09160-05048	334A-16		120A-2-8
	478A-4	09160-05501	339A-6	09160-48009	108A-2-9
	541A-17	09160-06077	334A-27		120A-2-9
09111-10057	556A-2		339A-14	09160-48010	108A-2-10
09111-10058	556A-2		104A-26		120A-2-10
09111-10062	541A-16	09160-06084	105A-27		112A-28
09112-08013	401A-6		105A-5	09161-09005	537A-12
09113-06010	401A-12	09160-06088	505A-16	09161-10009	201A-9
	460A-8		104A-27	09164-00004	524A-14
09116-06047	330A-15	09160-06125	112A-27	09164-08015	220A-15
09116-06152	541A-11	09160-06131	462A-6	09164-10008	126A-16
09116-06168	339A-13	09160-06152	451A-6	09164-12018	212A-43
09116-06183	189A-23	09160-06158	415A-5	09164-18009	201A-7
09116-06201	185A-2		415A-11	09164-22007	206A-8
	185A-6	09160-06501	505A-6	09167-25016	206A-20
09116-06203	201A-16	09160-08130	104A-12	09167-28001	206A-28
09119-06049	550A-21		105A-10		206A-27
09125-06122	206A-13	09160-08146	163A-30	09167-28002	105A-40
	212A-19		420A-10	09168-06023	108A-8
	220A-25	09160-09016	104A-27		112A-5
09126-06011	206A-35		105A-28		112A-15
	212A-13	09160-10039	104A-13		108A-9
09127-06017	462A-3		105A-11	09168-08016	108A-21
09128-06013	312A-4	09160-10142	541A-18		108A-32
09134-06010	201A-26	09160-14021	303A-6		108A-10
09139-05042	334A-13	09160-15002	474A-4	09168-10002	108A-34
09139-05071	423A-2	09160-15045	201A-19	09168-12002	108A-11
09139-05077	451A-4	09160-15048	550A-15	09168-12017	104A-45
09139-06056	155A-28	09160-16029	216A-15	09168-14002	112A-24
09139-06089	402A-5		220A-10		126A-17
09139-06108	312A-28	09160-17050	550A-26		220A-34
	427A-13	09160-19024	415A-23		220A-37
09139-06126	445A-12		415A-29	09168-16002	108A-43
09139-08016	350A-26	09160-25055	201A-3		170A-9
09139-10003	402A-3		201A-10	09169-06030	550A-22
09140-06011	212A-35	09160-25059	212A-14	09169-06082	155A-9
09140-16001	216A-14	09160-48001	108A-2-1	09169-28001	206A-26
09140-22008	201A-8		120A-2-1	09180-05054	339A-18
09140-24007	541A-6	09160-48002	108A-2-2	09180-06148	127A-7
09150-06010	550A-37		120A-2-2	09180-06195	312A-14
09159-05019	334A-14	09160-48003	108A-2-3		334A-28
09159-05049	339A-17		120A-2-3	09180-06280	112A-29
09159-06093	104A-33	09160-48004	108A-2-4	09180-06286	541A-13
	105A-35		120A-2-4	09180-06288	505A-7
09159-09001	120A-6	09160-48005	108A-2-5	09180-06290	339A-19
09159-10026	220A-16		120A-2-5	09180-06307	451A-7
09159-10113	108A-37	09160-48006	108A-2-6	09180-06310	185A-3
09159-16010	220A-11		120A-2-6		185A-7
09160-04022	334A-35	09160-48007	108A-2-7		330A-13
09160-05037	330A-16		120A-2-7	09180-06325	312A-29

PART NO.	FIG.NO.-REF.NO.	PART NO.	FIG.NO.-REF.NO.	PART NO.	FIG.NO.-REF.NO.
09180-08057	420A-9	09263-20038	216A-3	09320-08021	445A-9
09180-08156	163A-31	09263-20073	543A-2	09320-08028	155A-32
09180-12068	212A-27	09263-32007	220A-21		185A-12
09180-17080	530A-6	09263-35017	201A-4		445A-14
09180-17092	550A-4	09265-17012	541A-4		451A-10
09180-25077	201A-2	09265-17013	541A-3	09320-08066	334A-37
09181-12158	170A-4	09267-25009	524A-5	09320-09010	451A-2
09181-20251	206A-23	09267-30005	220A-8	09320-09016	104A-29
09200-06013	550A-36	09267-30010	524A-3		105A-30
09200-06068	556A-13	09280-00015	220A-29		155A-17
09202-10006	122A-4	09280-04004	108A-14	09320-09045	445A-16
09202-10008	122A-2	09280-12009	108A-15	09320-09501	401A-21
09206-11007	108A-3	09280-15003	550A-14		445A-15
	112A-16	09280-15008	108A-39	09320-10015	189A-24
09206-11011	104A-2	09280-16005	104A-41		330A-14
	105A-2		105A-38	09320-10036	415A-6
09209-05011	212A-48		107A-9		415A-12
09209-13018	550A-32	09280-17003	112A-7	09320-10051	339A-20
09241-30004	104A-28	09280-18004	220A-32	09320-10054	339A-21
	105A-29	09280-24007	180A-20	09320-10055	185A-8
09247-10008	108A-12	09280-26005	212A-46	09320-10056	541A-12
09247-12011	108A-33	09280-33004	112A-22	09320-10501	185A-4
09247-14002	220A-33	09280-60003	216A-6	09320-10504	334A-29
09247-14026	108A-13	09280-62002	220A-7	09320-12049	163A-32
09247-18001	220A-31	09280-63003	478A-7	09320-12501	541A-19
09248-14012	112A-23	09280-65003	550A-19	09320-13015	104A-30
09248-16013	108A-42	09280-67004	216A-18		105A-31
09250-06011	524A-12	09283-06010	201A-22	09320-15008	474A-6
09250-07004	474A-15	09283-10004	180A-5	09320-22003	541A-14
09250-08012	112A-25	09283-30028	220A-26	09321-06013	339A-22
09250-08013	112A-12	09283-30051	220A-39	09321-10002	505A-8
09250-08014	521A-40	09283-38009	220A-12		505A-17
09250-09001	401A-23	09283-38016	216A-7	09321-10007	460A-6
09251-07003	427A-11	09285-12006	212A-30	09321-10033	505A-9
09259-36008	112A-21	09286-44001	330A-21	09329-10007	420A-4
09261-05003	212A-9	09289-05015	126A-24	09329-18001	460A-9
09261-05006	170A-5	09289-70001	220A-20	09352-50823-600	312A-27
09262-10004	180A-6	09301-08007	104A-38	09360-10062	537A-11
09262-20073	206A-33		105A-39	09367-08001	187A-22
	216A-2	09301-22002	206A-22	09380-25003	206A-9
09262-20080	206A-36	09308-10017	474A-14	09380-25014	206A-10
09262-20139	206A-14	09319-12019	550A-5	09381-20004	120A-11
09262-25006	212A-17	09320-03004	185A-11	09381-40003	220A-40
09262-25080	206A-11	09320-06016	334A-10	09401-08410	187A-16
09262-70001	220A-17		334A-36	09401-08411	187A-17
09263-15003	201A-18	09320-06017	312A-30	09401-10409	140A-45
09263-17028	220A-9	09320-06026	474A-8	09401-11413	427A-2
09263-17034	543A-4	09320-08013	423A-4		427A-8
09263-17037	541A-2	09320-08018	401A-19		427A-18
09263-17039	543A-3		445A-13	09401-12404	427A-10

PART NO.	FIG.NO.-REF.NO.	PART NO.	FIG.NO.-REF.NO.	PART NO.	FIG.NO.-REF.NO.
09401-12405	187A-23	09443-06073	350A-28		
09401-14301	155A-16	09443-09027	212A-21		
09401-15101	155A-23	09443-09050	201A-28		
	155A-25	09443-11033	415A-17		
	189A-15	09443-12051	556A-10		
09401-15407	189A-4	09443-14066	556A-4		
	189A-7	09443-19012	556A-5		
09401-16301	155A-26	09444-26013	212A-28		
09401-16407	189A-16	09448-33006	550A-24		
09401-18406	189A-17	09471-12045	334A-4		
09401-20405	189A-18		334A-8		
09402-28513	104A-43		334A-20		
	107A-14		334A-24		
	187A-5	09471-12060	333A-17		
09402-32512	180A-23	09471-12216	339A-11		
	187A-8	09481-10501	350A-2		
09403-06410	330A-22	09481-20501	350A-3		
09403-08404	187A-19	09481-30101	312A-3		
09404-06429	350A-22	09482-00222	104A-34-2		
09404-06433	212A-50		105A-36-2		
	312A-15	09482-00223	104A-34-3		
	350A-17		105A-36-3		
09404-06435	350A-18	09482-00224	104A-34-4		
09404-08419	187A-24		105A-36-4		
	303A-13	09482-00398	104A-34-1		
09404-10205	187A-25		105A-36-1		
09407-05410	350A-7	09482-00399	104A-34-5		
09407-11402	312A-6		105A-36-5		
09407-14407	140A-16	09482-00400	104A-34-6		
	330A-23		105A-36-6		
	350A-19	09493-20014	108A-16		
	355A-5	09493-28010	108A-17		
	355A-9	09800-21055	478A-8		
09407-17403	350A-8				
09407-18402	350A-20				
09407-19401	312A-16				
	350A-21				
	462A-19				
09407-25402	420A-6				
09407-30401	462A-20				
09408-00078	187A-18				
09408-00177	187A-26				
09408-00244	462A-21				
09409-06314-5PK	334A-38				
09420-05007	303A-7				
09440-04003	212A-10				
09440-04010	212A-49				
09440-09004	550A-35				
09440-18019	220A-38				
09440-44002	216A-11				

## SUZUKI **VL800L6** PARTS CATALOGUE

---

SUZUKI MOTOR CORPORATION All rights reserved

No part of this document may be reproduced or transmitted in any form or by any means, electronic or mechanical, for any purpose, without the express written permission of Suzuki Motor Corporation.

SUZUKI MOTOR CORPORATION

Technical Readiness Group, Quality Administration Department  
300 Takatsuka, Minami, Hamamatsu, Japan

---

Reprint Prohibited

**SUZUKI MOTOR CORPORATION**

PRINTED IN JAPAN

**9900B-31206-000**