

SUZUKI

PARTS CATALOGUE

SV650AL7

(JS1CX133)



E14

2016-2

1ST EDITION

SV650AL7



YWW

SV650AL7



YKV

SV650AL7



YSF

SV650AL7



YVZ

PREFACE

When it becomes necessary to replace parts on SUZUKI MOTORCYCLES, always use SUZUKI GENUINE PARTS which have passed a strict inspection which guarantees quality and performance.

This parts catalogue covers the list of all service parts for SUZUKI SV650AL7.

INSTRUCTIONS FOR QUOTING THE CATALOGUE

1. DIMENSIONS

Dimensions of the parts in this catalogue are indicated in unit millimeters.

2. ABBREVIATIONS

Abbreviations used in this catalogue are as follows:

AR	: As required	NT	: Number of teeth
ASSY	: Assembly	OPT	: Optional
E. NO.	: Engine number	OS	: Over size
F. NO.	: Frame number	STD	: Standard
D	: Diameter of material	T	: Thickness
ID	: Inside diameter	US	: Under size
OD	: Outside diameter	W	: Width
L	: Length		
LH	: Left hand side		
RH	: Right hand side		
~100045	: Up to F. NO. 100045		
100046~	: From F. NO. 100046		
12 x 34 x 5.6.....	Figures in the description column		
	show the dimensions of parts.		
ID OD T(or W, L)			

3. INNER PARTS OF ASSEMBLY

Part name with a dot (.) in front as shown in the description column indicates the component of the assembly also available individually.

4. MODIFICATION NOTICE

A parts bulletin will be sent to you on all occasions when changes in parts occur, including interchangeable modifications between new parts and old ones.

5. NOTE

5-1. There are some different parts from those of production models among spare parts for the administrative reasons and common use of them with other models.

5-2. In respect of rubber hoses and vinyl tubes, please be sure to use them by cutting off according to the length mentioned on parts catalogue or what is actually required on the vehicle.

5-3. Note that the drawings on the illustration page are for ready reference of spare parts number, not to be used as an assembly manual.
When assembling, use "SUZUKI SERVICE MANUAL".

6. SPECIFICATION CODE

This catalogue contains the parts for the model designed for the following spec.:

spec. code : SV650AL7 : E14.

7. SERIAL FRAME NUMBER

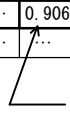
SV650AL7 (E14) : JS1CX133A00 100001~

MILLIMETER → INCH CONVERSION CHART

	0	1	2	3	4	5	6	7	8	9
00	.000	.039	.079	.118	.157	.197	.236	.276	.315	.354
10	.394	.433	.472	.512	.551	.591	.630	.669	.709	.748
20	.787	.827	.866	.906	.945	.984	1.024	1.063	1.102	1.142
30	1.181	1.220	1.260	1.299	1.339	1.378	1.417	1.457	1.496	1.535
40	1.575	1.614	1.654	1.693	1.732	1.772	1.811	1.850	1.890	1.929
50	1.969	2.008	2.047	2.087	2.126	2.165	2.205	2.214	2.283	2.323
60	2.362	2.402	2.441	2.480	2.520	2.559	2.598	2.638	2.677	2.717
70	2.756	2.795	2.835	2.874	2.913	2.953	2.992	3.031	3.071	3.110
80	3.150	3.189	3.228	3.268	3.307	3.346	3.386	3.425	3.465	3.504
90	3.543	3.583	3.622	3.661	3.701	3.740	3.780	3.819	3.858	3.898

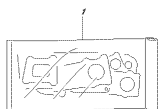
How to read

	0	1	2	3	4
00
10
20	0.906	...
30


 23 millimeters equal 0.906 inch

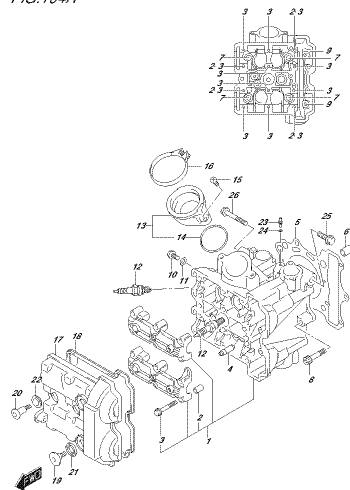
Contents are subject to change without notice or obligation.

FIG. 101A



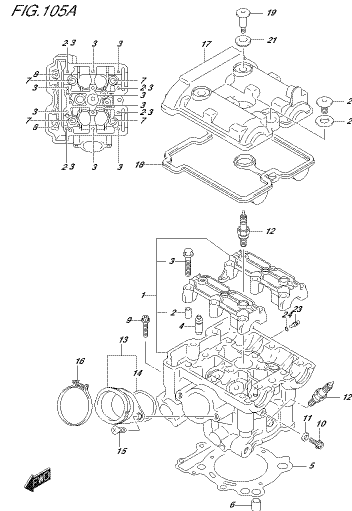
RH80ALZ_EFL_004
CRANKSET SET

FIG. 104A



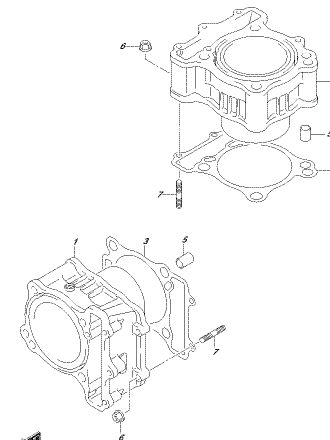
RH80ALZ_EFL_004
CYLINDERHEAD(FRONT)

FIG. 105A



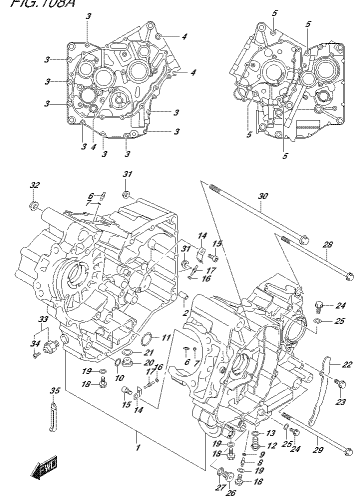
RH80ALZ_EFL_004
CYLINDERHEAD(REAR)

FIG. 107A



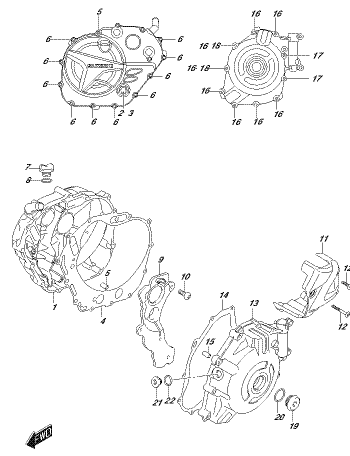
RH80ALZ_EFL_004
CYLINDER

FIG. 108A



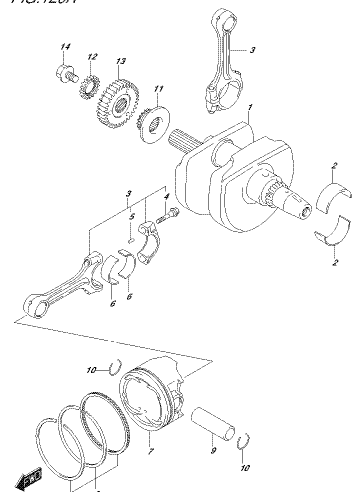
RH80ALZ_EFL_004
CRANKCASE

FIG. 112A



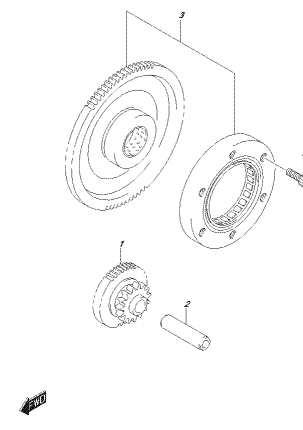
RH80ALZ_EFL_004
CRANKCASE COVER

FIG. 120A



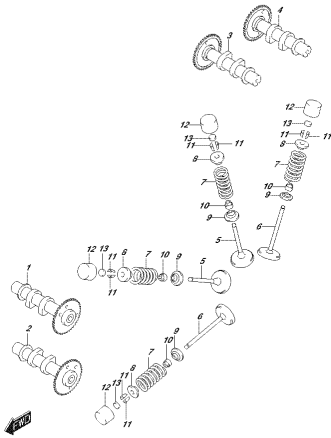
RH80ALZ_EFL_004
STARTERSHAFT

FIG. 122A



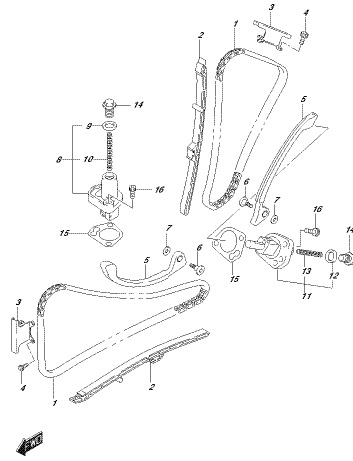
RH80ALZ_EFL_004
STARTERCLUTCH

FIG. 126A



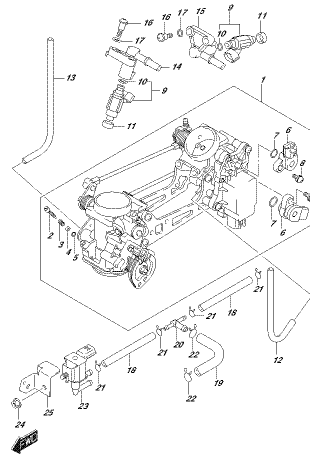
SHIBSALZ_E/FIL_0504
CARBURETORVALVE

FIG. 127A



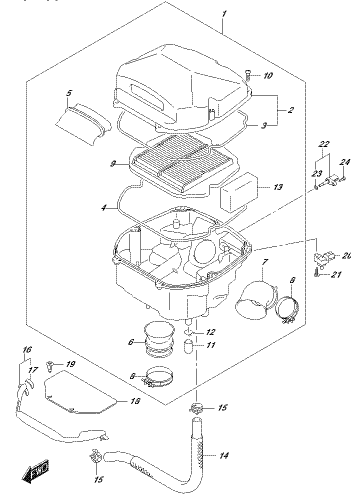
SHIBSALZ_E/FIL_0504
CARBURETORBODY

FIG. 140A



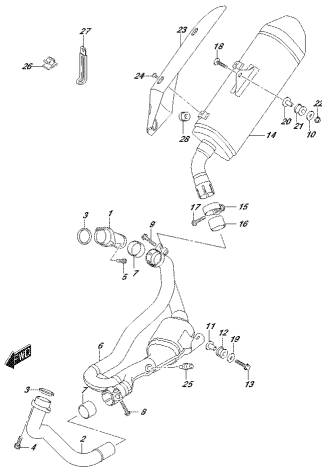
SHIBSALZ_E/FIL_0504
AIRFILTERBODY

FIG. 155A



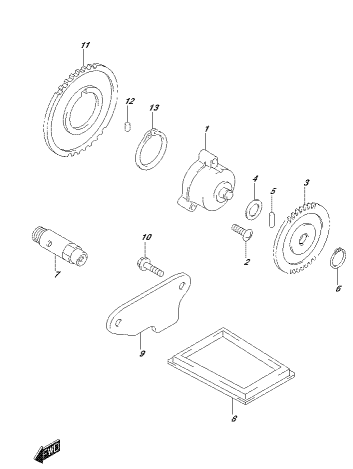
SHIBSALZ_E/FIL_0504
AIRCLEANER

FIG. 163A



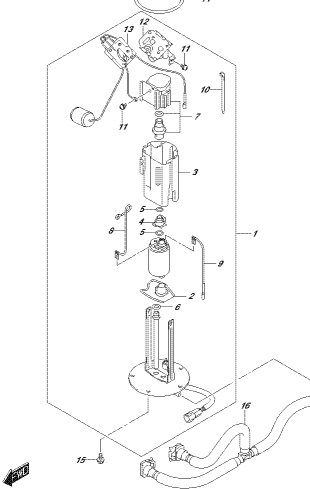
SHIBSALZ_E/FIL_0504
FUELFILTER

FIG. 170A



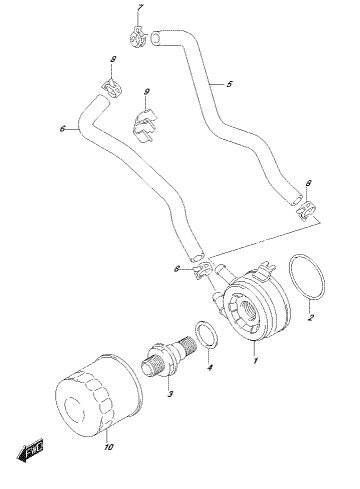
SHIBSALZ_E/FIL_0504
OILPUMP

FIG. 172A



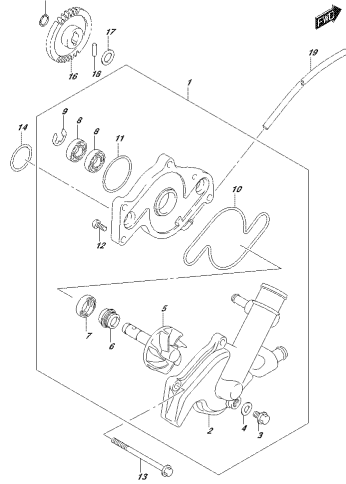
SHIBSALZ_E/FIL_0504
FUEL PUMP

FIG. 178A



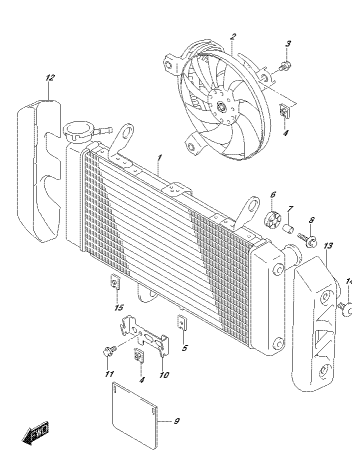
SHIBSALZ_E/FIL_0504
OIL COOLER

FIG.180A



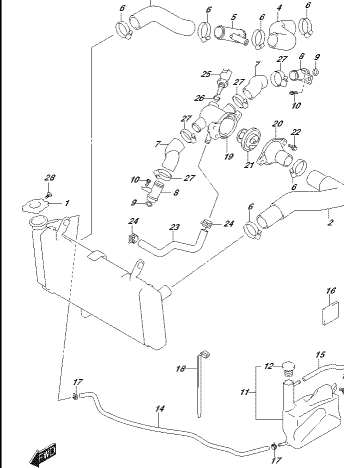
RHS00ALZ_EFL_004
BLOWER PUMP

FIG.185A



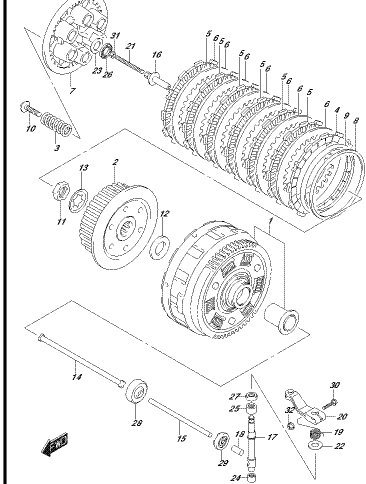
RHS00ALZ_EFL_004
BLOWER MOTOR

FIG.187A



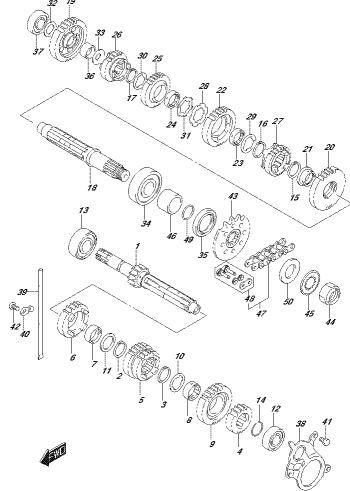
RHS00ALZ_EFL_004
BLOWER MOTOR HOUSING

FIG.201A



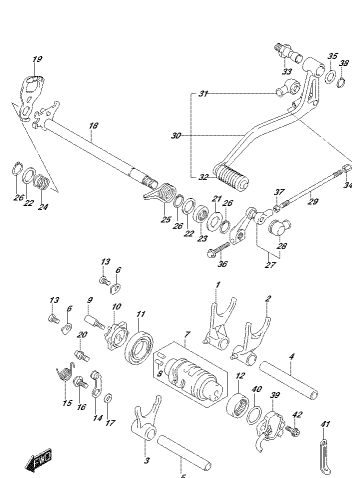
RHS00ALZ_EFL_014
CLUTCH

FIG.206A



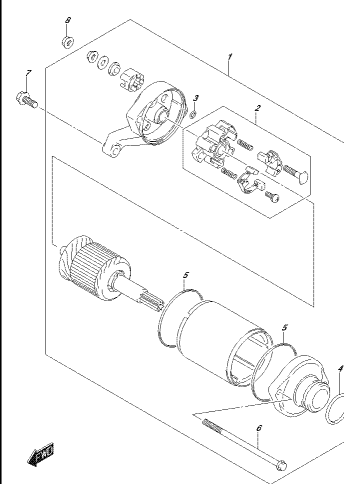
RHS00ALZ_EFL_004
TRANSMISSION

FIG.212A



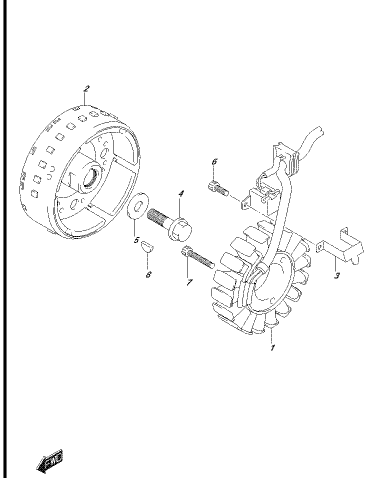
RHS00ALZ_EFL_004
GEAR SHIFTING

FIG.301A



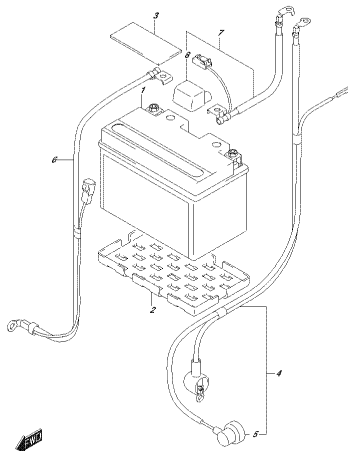
RHS00ALZ_EFL_014
STARTING MOTOR

FIG.303A



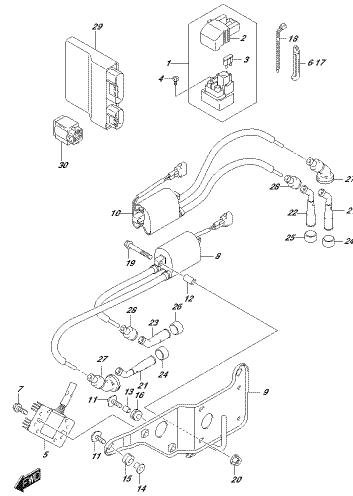
RHS00ALZ_EFL_004
MAGNET

FIG.310A



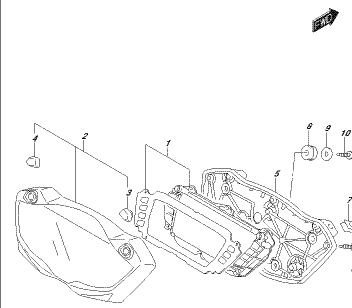
RHS03ALZ_EFL_0304
BATTERI

FIG.312A



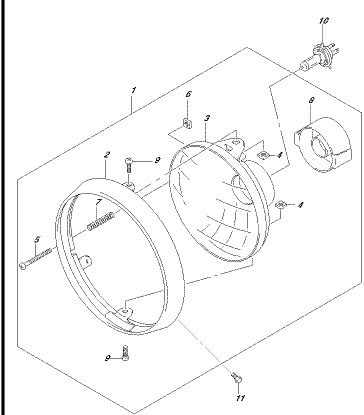
RHS03ALZ_EFL_0304
ELECTRICAL

FIG.330A



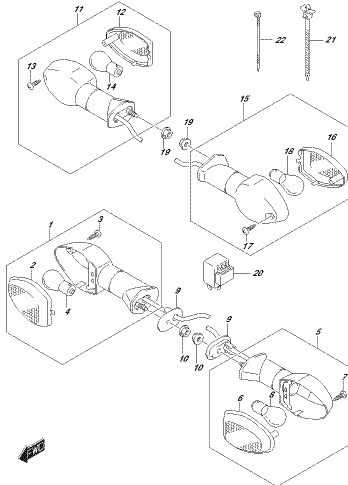
RHS03ALZ_EFL_0304
HEADLIGHT

FIG.333A



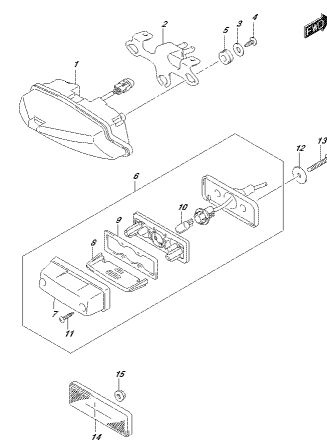
RHS03ALZ_EFL_0304
HEADLIGHT

FIG.334A



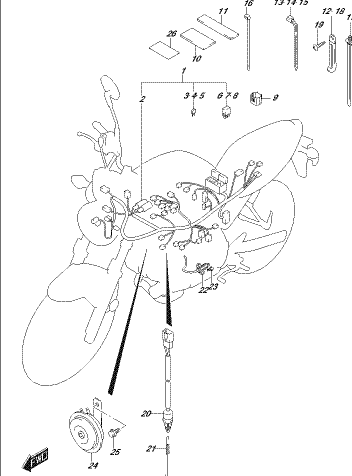
RHS03ALZ_EFL_0304
TURN SIGNAL LAMP

FIG.339A



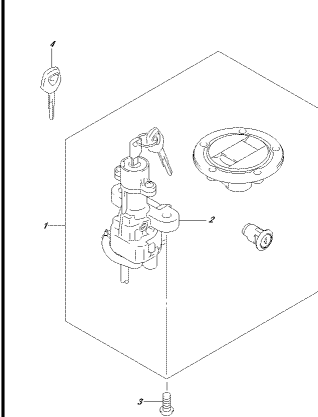
RHS03ALZ_EFL_0304
REAR CONSTRUCTION LAMP

FIG.350A



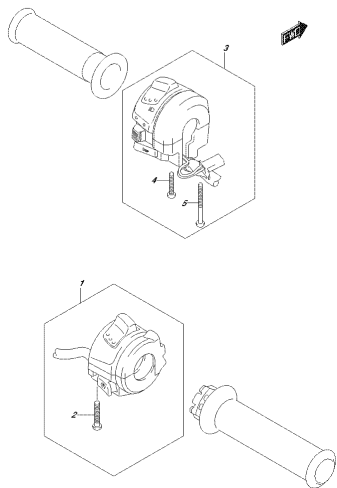
RHS03ALZ_EFL_0304
WIRING HARNESS

FIG.352A



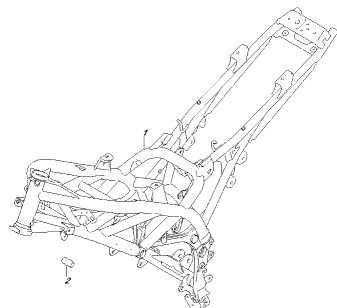
RHS03ALZ_EFL_0304
LOCK SET

FIG.355A



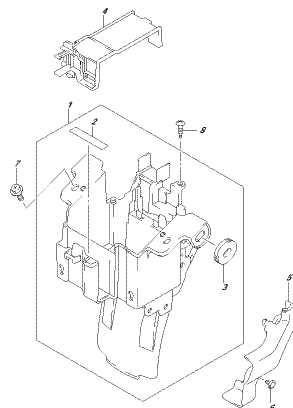
RH580ALZ_E1FL_0504
HANDLE SWITCH

FIG.401A



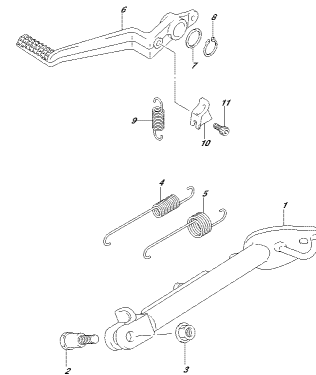
RH580ALZ_E1FL_0014
FRAME

FIG.405A



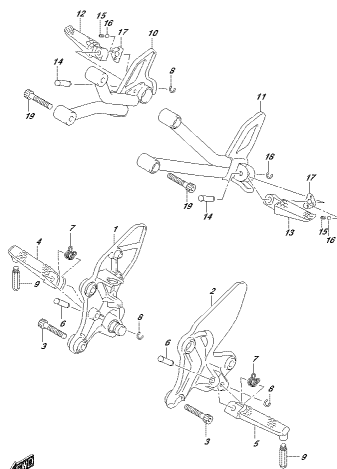
RH580ALZ_E1FL_0004
SWITCH/CONTROL PANEL

FIG.407A



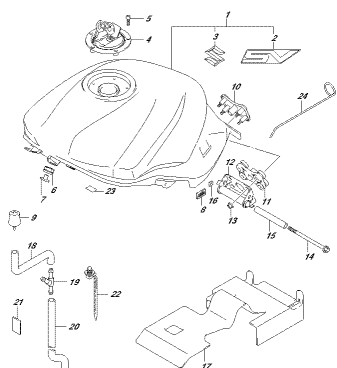
RH580ALZ_E1FL_0074
STEERING

FIG.415A



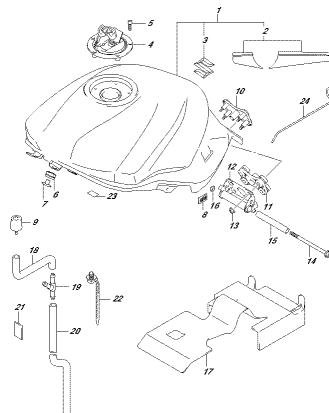
RH580ALZ_E1FL_0004
FOOTREST

FIG.420A



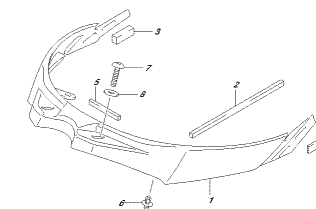
RH580ALZ_E1FL_0004
FUEL TANK

FIG.420B



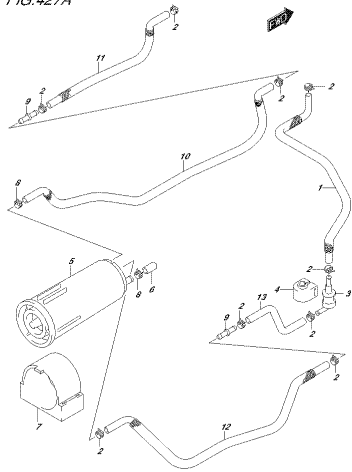
RH580ALZ_E1FL_0009
FUEL TANK

FIG.422A



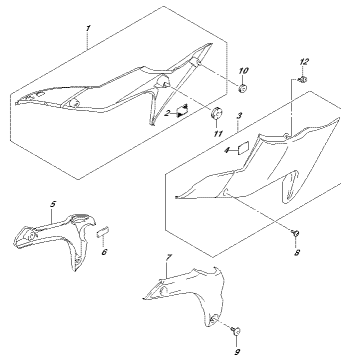
RH580ALZ_E1FL_0004
FUEL TANK FRONT COVER

FIG.427A



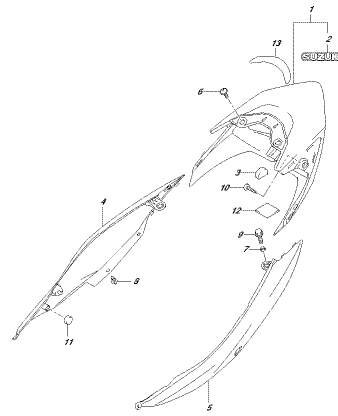
SHISSALZ_E14_407A
FRONT FENDER COVER

FIG.443A



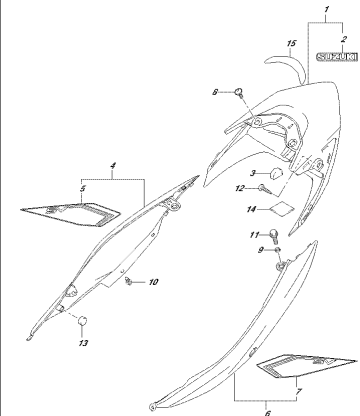
SHISSALZ_E14_403A
FRONT FENDER COVER

FIG.445A



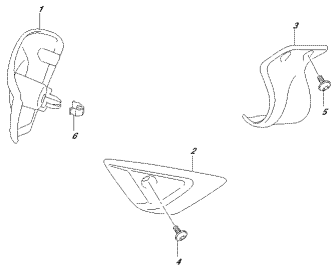
SHISSALZ_E14_405A
FRONT COVER

FIG.445B



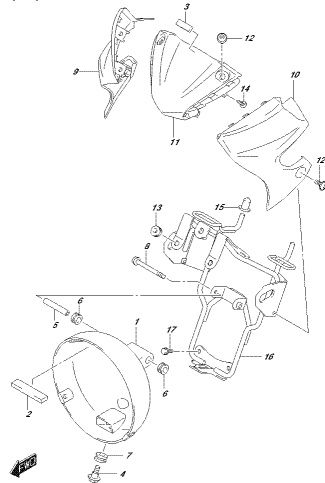
SHISSALZ_E14_405B
FRONT COVER

FIG.449A



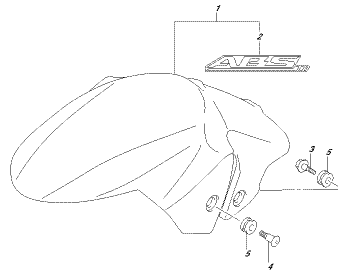
SHISSALZ_E14_409A
FRONT HEAD COVER

FIG.452A



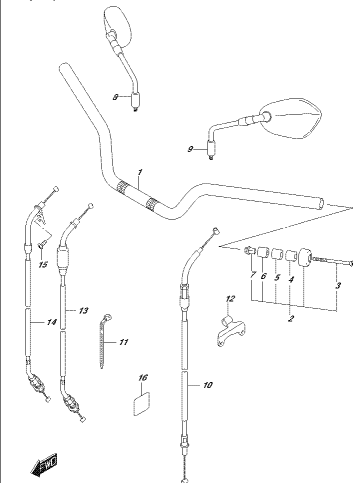
SHISSALZ_E14_402A
HEADLAMP COVER

FIG.460A



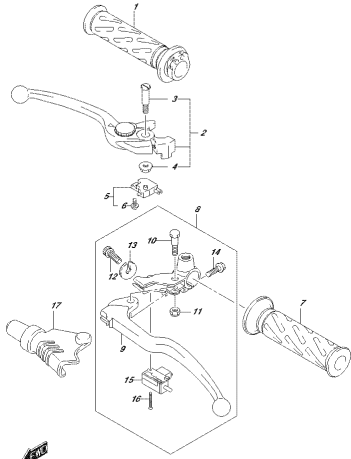
SHISSALZ_E14_400A
FRONT FENDER

FIG.462A



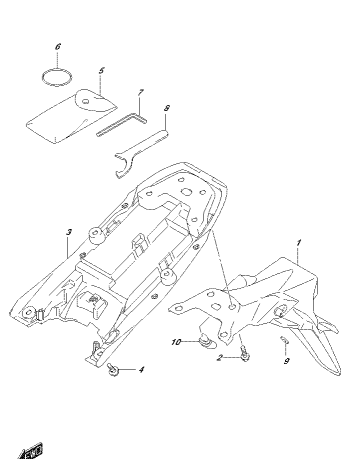
SHISSALZ_E14_402A
HANDLEBAR

FIG.467A



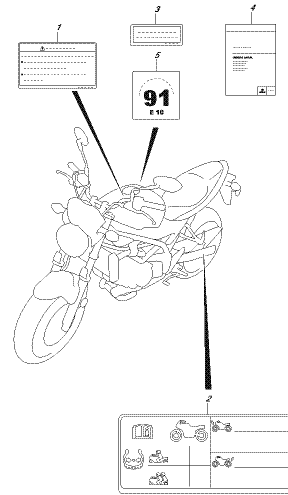
RHSS0ALZ_EFL_074
HANDLE LEVER

FIG.474A



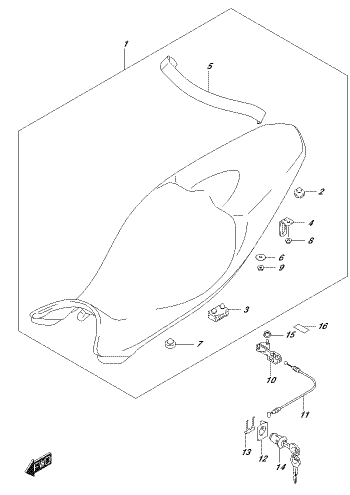
RHSS0ALZ_EFL_074A
SEAT

FIG.496A



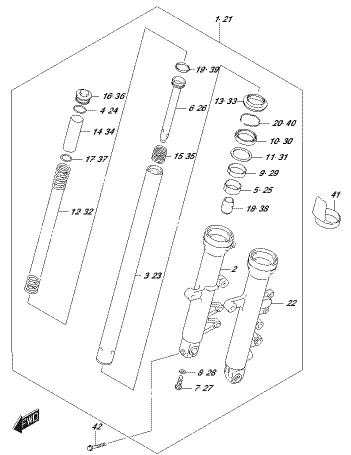
RHSS0ALZ_EFL_084
INSTR.

FIG.505A



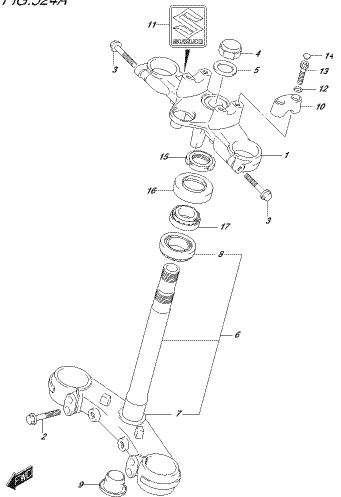
RHSS0ALZ_EFL_084
SEAT

FIG.521A



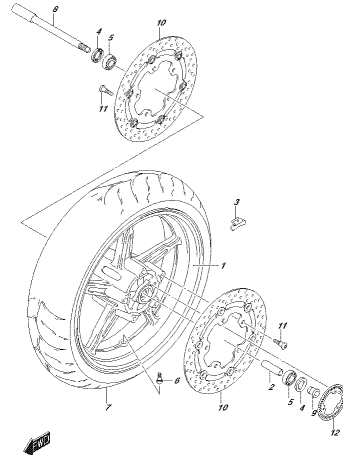
RHSS0ALZ_EFL_074
FRONT FORK DAMPER

FIG.524A



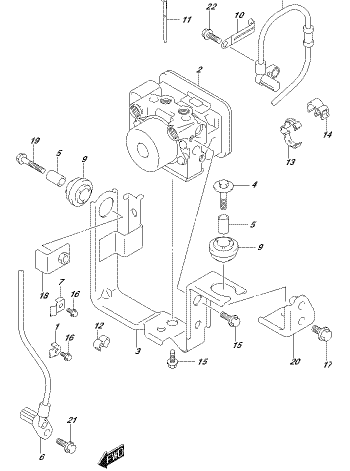
RHSS0ALZ_EFL_084
STEERING STEM

FIG.530A



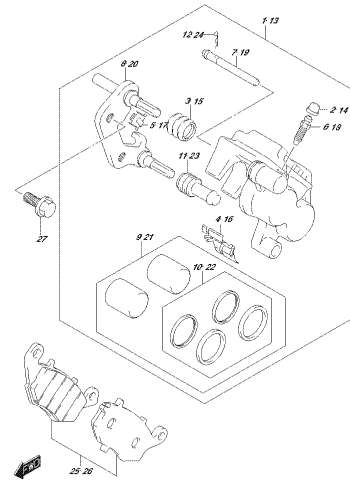
RHSS0ALZ_EFL_084
FRONT WHEEL

FIG.533A



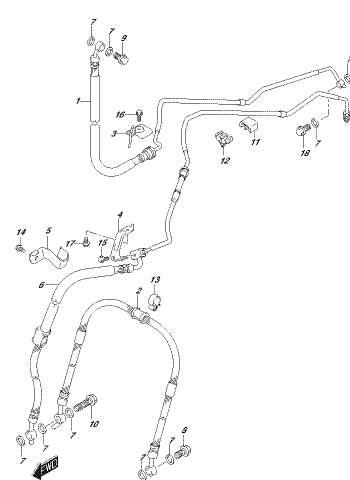
RHSS0ALZ_EFL_084
HYDRAULIC FORK

FIG.535A



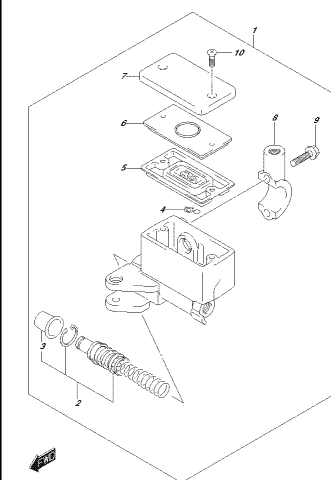
RUBSAZ_EFL_804
FRONT CALIPER

FIG.536A



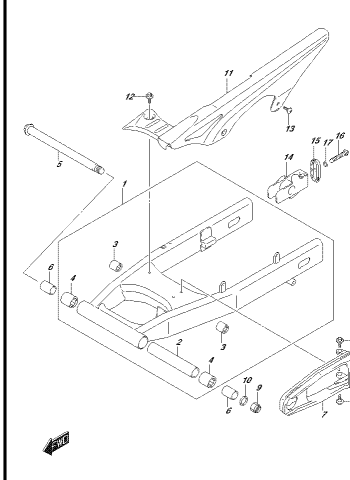
RUBSAZ_EFL_804
FRONT BRAKE HOSE

FIG.537A



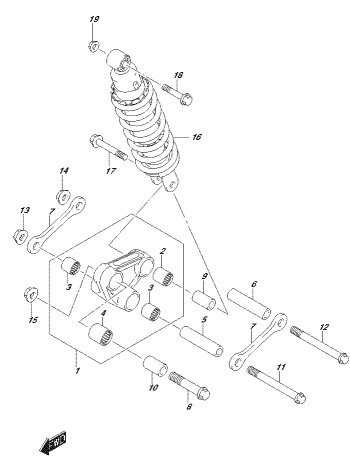
RUBSAZ_EFL_804
FRONT MASTER CYLINDER

FIG.541A



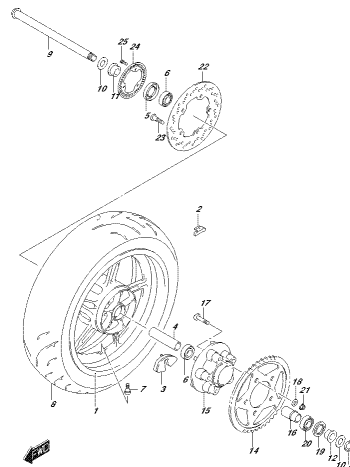
RUBSAZ_EFL_804
REAR MASTER CYLINDER

FIG.543A



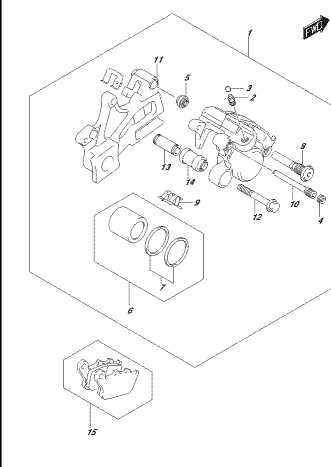
RUBSAZ_EFL_804
REAR SHOCK LEVER

FIG.550A



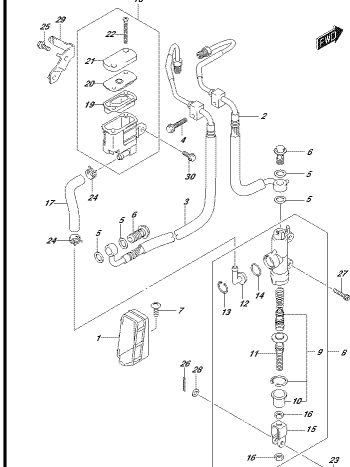
RUBSAZ_EFL_804
REAR WHEEL

FIG.555A



RUBSAZ_EFL_804
REAR CALIPER

FIG.558A



RUBSAZ_EFL_804
REAR MASTER CYLINDER

FIG.901A

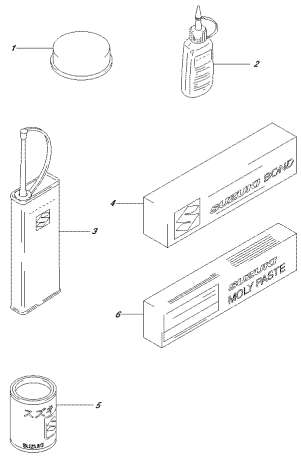


FIG.901A
OPTI-SECURE

FIG.970A

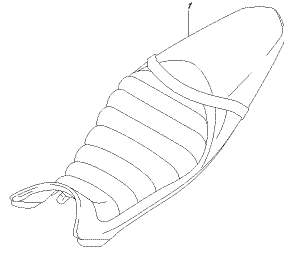


FIG.970A
OPTI-SECURE

FIG.101A

FIG.101A (1-B-2) GASKET SET

REF NO.	PART NO.	DESCRIPTION	Q'TY	REMARKS
1	11403-44820	GASKET SET	1	OPT
2	11141-20F00	.GASKET, CYLINDER HEAD	2	NOT ILLUSTRATED
3	11173-19F01	.GASKET, CYL HEAD COVER	2	NOT ILLUSTRATED
4	11241-19F10	.GASKET, CYLINDER FRONT	1	NOT ILLUSTRATED
5	11242-19F00	.GASKET, CYLINDER GEAR	1	NOT ILLUSTRATED
6	11482-44H00	.GASKET, CLUTCH COVER	1	NOT ILLUSTRATED
7	11483-19F00	.GASKET, MAGNETO COVER	1	NOT ILLUSTRATED
8	12837-27G10	.GASKET, TENSIONER ADJUSTER	2	NOT ILLUSTRATED
9	14181-22D01	.GASKET, EXHAUST PIPE	2	NOT ILLUSTRATED
10	11191-27E00	.WASHER	4	NOT ILLUSTRATED

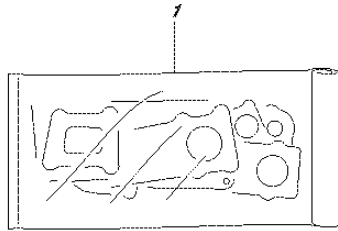


FIG.104A

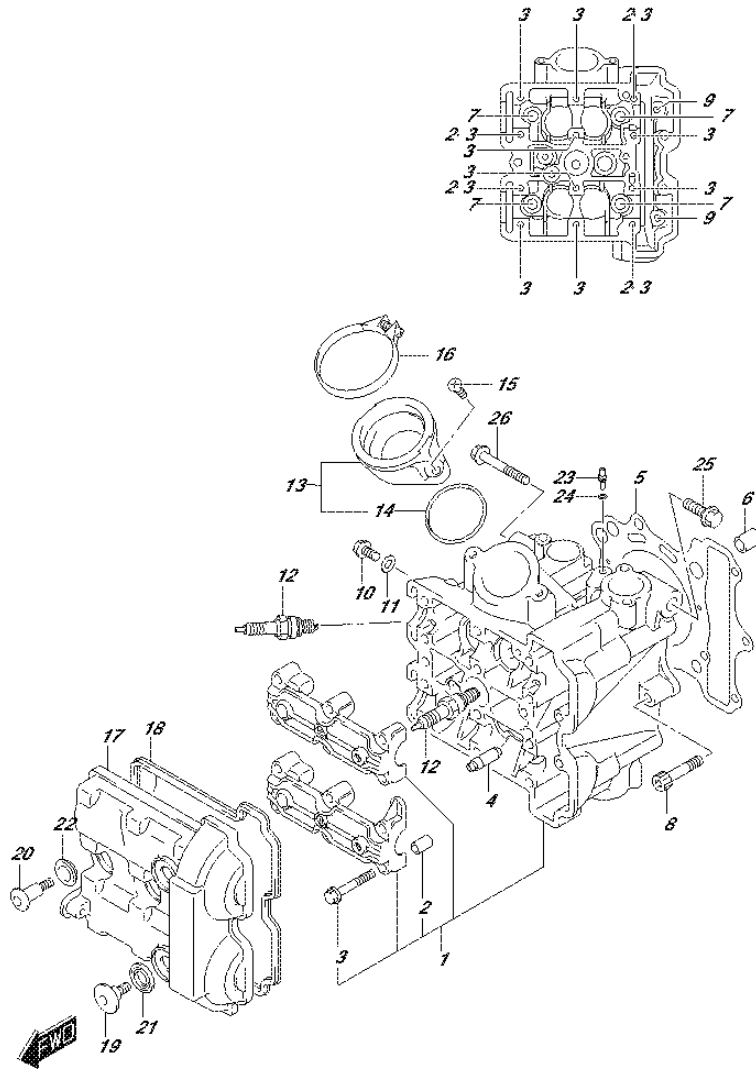


FIG.104A (1-B-3) CYLINDER HEAD (FRONT)

REF NO.	PART NO.	DESCRIPTION	Q'TY	REMARKS
1	11101-44H00	HEAD ASSY, CYLINDER FRONT	1	
2	09206-08001	.PIN (8X11)	4	
3	09103-06266	.BOLT (6X40)	12	
4	11115-18D72	GUIDE, VALVE (OS:0.3)	1	OPT
5	11141-20F00	GASKET, CYLINDER HEAD	1	
6	04211-13189	PIN	2	
7	11117-44H00	BOLT (10X160)	4	
8	07120-0640A	BOLT	1	
9	09103-06103	BOLT (6X70)	2	
10	01550-0612A	BOLT	1	
11	09168-06023	GASKET (5.8X13X1.2)	1	
12	09482-00646	SPARK PLUG (MR8E-9)	2	NGK
13	13101-17G10	PIPE ASSY, INTAKE FRONT	1	
14	09280-46006	.O RING (D:2.4,ID:47X42)	1	
15	02122-0616B	SCREW	2	
16	13827-40H01	CLAMP	1	
17	11171-19F20	COVER, CYLINDER HEAD FRONT	1	
18	11173-19F01	GASKET, CYLINDER HEAD COVER	1	
19	09106-07009	BOLT (7X17.5)	2	
20	09106-07010	BOLT (7X31)	1	
21	11191-27E00	WASHER	2	
22	11192-13E00	CUSHION, HEAD COVER BOLT	1	
23	09493-80005	JET(8)	1	
24	09280-04004	O RING (D:1.2,ID:4)	1	
25	09103-10378	BOLT (10X25)	1	
26	01550-1070A	BOLT	1	

FIG.105A

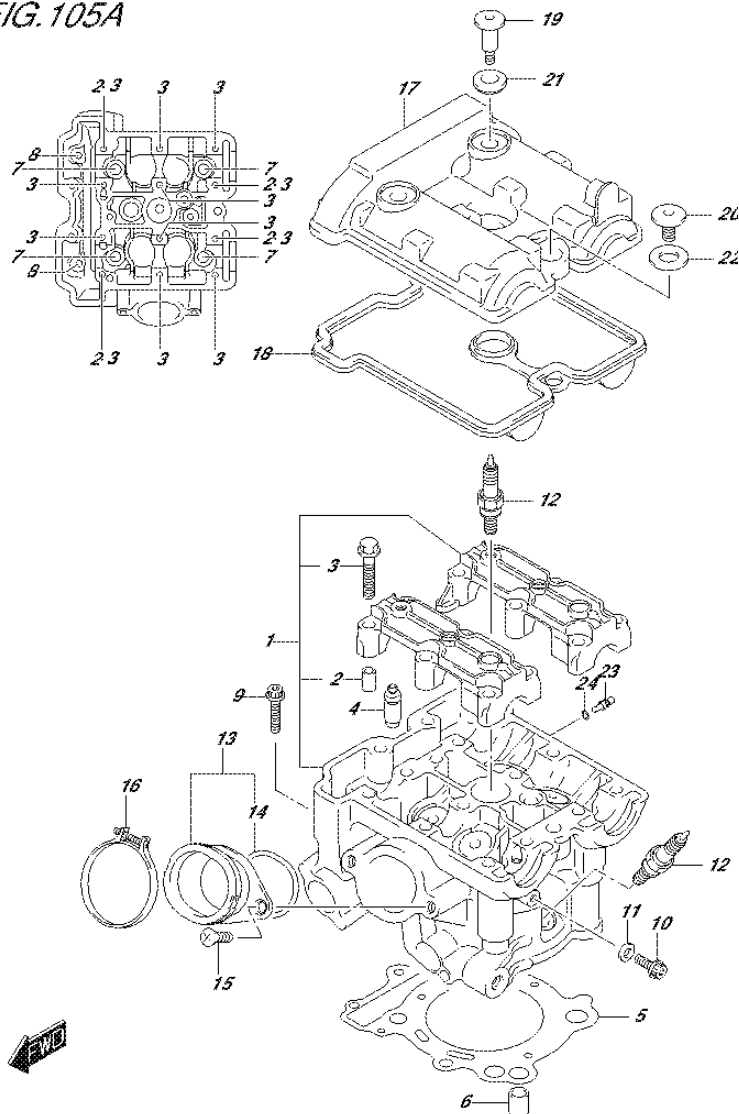


FIG.105A (1-B-4) CYLINDER HEAD (REAR)

REF NO.	PART NO.	DESCRIPTION	Q'TY	REMARKS
1	11103-44H10	HEAD ASSY, CYLINDER REAR	1	
2	09206-08001	.PIN (8X11)	4	
3	09103-06266	.BOLT (6X40)	12	
4	11115-18D72	GUIDE, VALVE (OS:0.3)	1	OPT
5	11141-20F00	GASKET, CYLINDER HEAD	1	
6	04211-13189	PIN	2	
7	11117-44H00	BOLT (10X160)	4	
8	09103-06103	BOLT (6X70)	2	
9	07120-0640A	BOLT	1	
10	01550-0612A	BOLT	1	
11	09168-06023	GASKET (5.8X13X1.2)	1	
12	09482-00646	SPARK PLUG (MR8E-9)	2	NGK
13	13102-17G10	PIPE ASSY, INTAKE REAR	1	
14	09280-46006	.O RING (D:2.4,ID:47X42)	1	
15	02122-0616B	SCREW	2	
16	13827-40H01	CLAMP	1	
17	11172-19F20	COVER, CYLINDER HEAD REAR	1	
18	11173-19F01	GASKET, CYLINDER HEAD COVER	1	
19	09106-07009	BOLT (7X17.5)	2	
20	09106-07010	BOLT (7X31)	1	
21	11191-27E00	WASHER	2	
22	11192-13E00	CUSHION, HEAD COVER BOLT	1	
23	09493-80005	JET(8)	1	
24	09280-04004	O RING (D:1.2,ID:4)	1	

FIG.107A

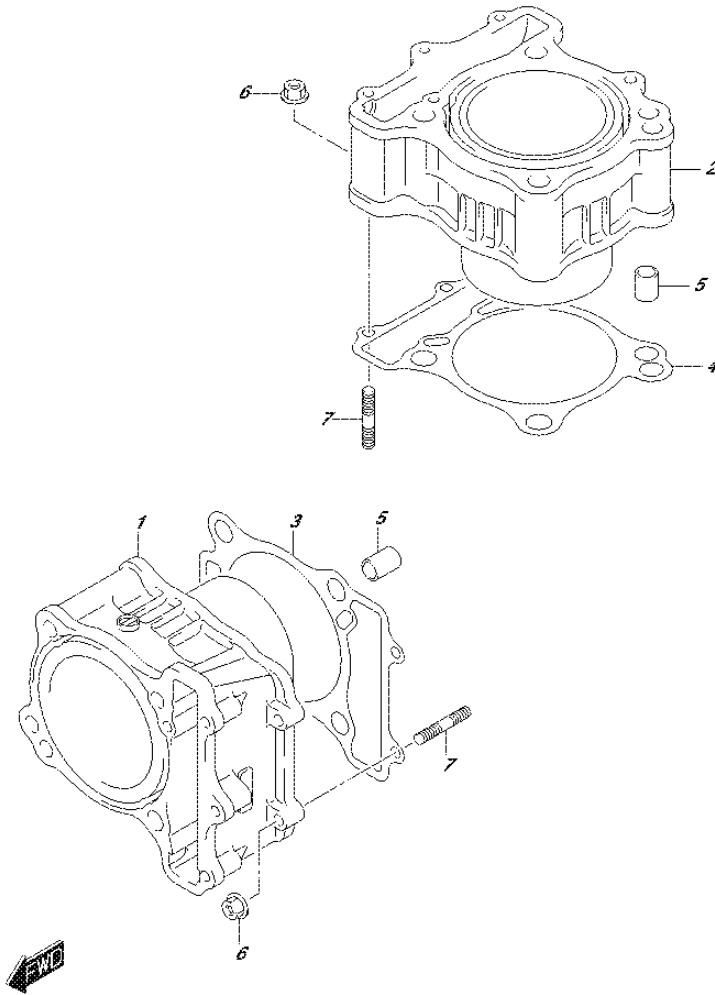


FIG.107A (1-B-5) CYLINDER

REF NO.	PART NO.	DESCRIPTION	Q'TY	REMARKS
1	11211-44H00-0F0	CYLINDER, FRONT	1	
2	11221-44H00-0F0	CYLINDER, REAR	1	
3	11241-19F10	GASKET, CYLINDER FRONT	1	
4	11242-19F00	GASKET, CYLINDER REAR	1	
5	04211-13189	PIN	4	
6	08316-1006A	NUT	4	
7	01421-0625A	STUD BOLT	4	

FIG.108A

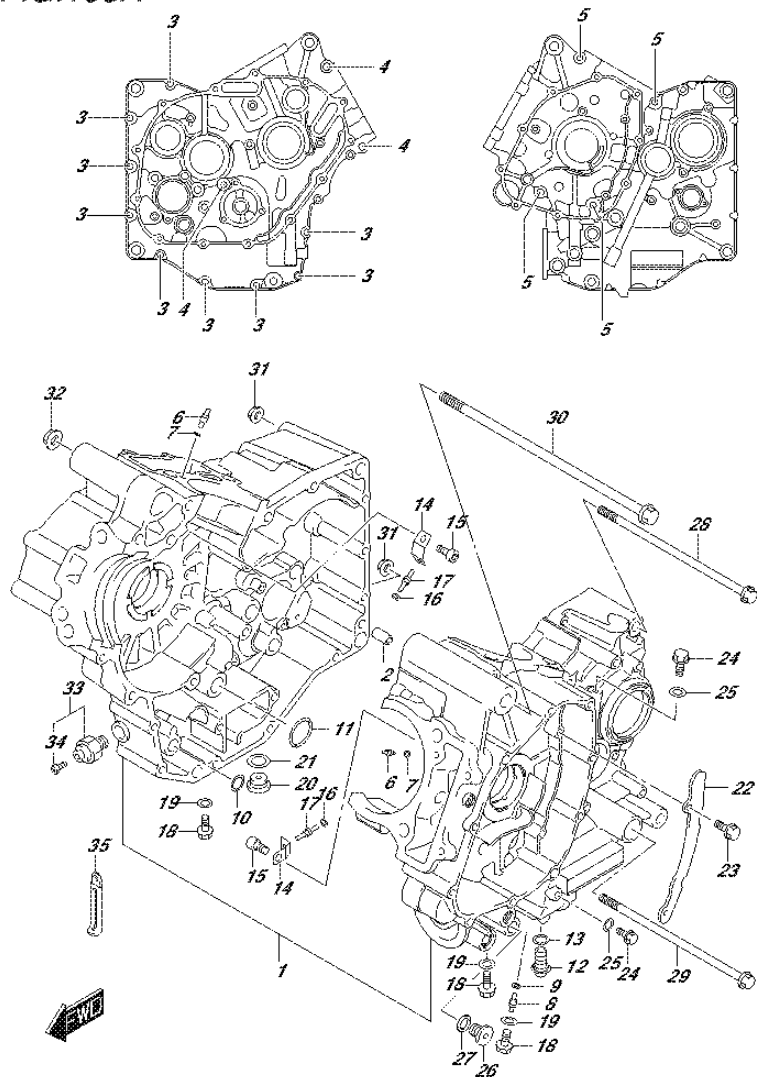


FIG.108A (1-B-6) CRANKCASE

REF NO.	PART NO.	DESCRIPTION	Q'TY	REMARKS
1	11301-27871	CRANKCASE SET	1	
2	09206-11007	.PIN (8.4X11X20)	2	
3	01547-0650A	.BOLT	9	
4	07120-0855A	.BOLT	3	
5	07120-0880A	.BOLT	4	
6	09493-28010	JET AIR(14)	2	
7	09280-04004	O RING (D:1.2,ID:4)	2	
8	09493-36004	JET, OIL GALY	1	
9	09280-04004	O RING (D:1.2,ID:4)	1	
10	09280-13007	O RING	1	
11	09280-15007	O RING (D:2.4,ID:15.8)	1	
12	09247-12011	PLUG (12X20)	1	OIL DRAIN
13	09168-12002	GASKET (12.1X16.2X3.7)	1	
14	16438-19F00	PLATE, PISTON COOLING JET	2	
15	09106-06075	BOLT (6X12)	2	
16	09280-04004	O RING (D:1.2,ID:4)	2	
17	09493-26007	JET	2	
18	01550-0812A	BOLT	3	
19	09168-08016	GASKET (8.2X14X1)	3	
20	09248-16012	PLUG (16X8)	1	
21	09168-16002	GASKET (16X22X2)	1	
22	11323-19F00	PLATE, OIL SEPARATOR	1	
23	01547-0612A	BOLT	2	
24	01547-0610A	BOLT	2	
25	09168-06023	GASKET (5.8X13X1.2)	2	
26	09247-12006	PLUG (12X10)	1	
27	09168-12017	GASKET (12X17X1)	1	
28	09103-10041-A05	BOLT (10X215)	1	
29	09103-10145	BOLT (10X205)	1	
30	09103-12016	BOLT (12X300)	1	
31	09159-10111	NUT	2	
32	09159-12056	NUT	1	
33	37820-33D10	SWITCH ASSY, OIL PRESSURE	1	
34	37822-33D00	.BOLT, OIL PRESSURE SWITCH	1	
35	09404-06429	CLAMP (L:45)	1	

FIG.112A

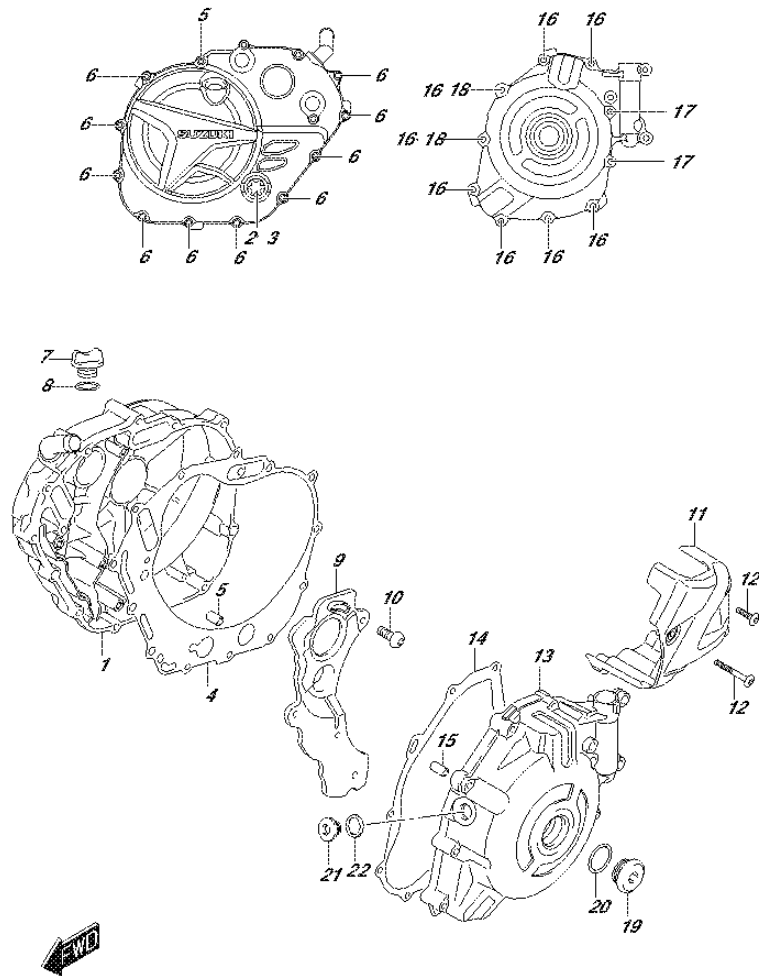


FIG.112A (1-B-7) CRANKCASE COVER

REF NO.	PART NO.	DESCRIPTION	Q'TY	REMARKS
1	11340-18K00	COVER, CLUTCH	1	
2	11971-33210	.LENS, OIL LEVEL CHECK	1	
3	08331-4130A	.CIRCLIP	1	
4	11482-44H00	GASKET, CLUTCH COVER	1	
5	04211-09149	PIN	2	
6	09103-06214	BOLT (6X35)	11	
7	11971-25D00	PLUG, OIL FILLER	1	
8	09280-17003	O RING (D:3.1,ID:16.8)	1	
9	11343-44H01	SEPARATOR, OIL	1	
10	09106-06098	BOLT (6X12)	4	
11	11360-18K00	COVER, ENG SPROCKET	1	
12	09139-06029	SCREW (6X25)	3	
13	11351-44H10	COVER, MAGNETO	1	
14	11483-19F00	GASKET, MAGNETO COVER	1	
15	04211-09149	PIN	2	
16	09103-06214	BOLT (6X35)	8	
17	09103-06239	BOLT (6X65)	2	
18	09168-06023	GASKET (5.8X13X1.2)	2	
19	09259-26012	PLUG	1	
20	09280-22008	O RING (D:3.1,ID:22.7)	1	
21	09248-16012	PLUG (16X8)	1	
22	09168-16002	GASKET (16X22X2)	1	

FIG. 120A

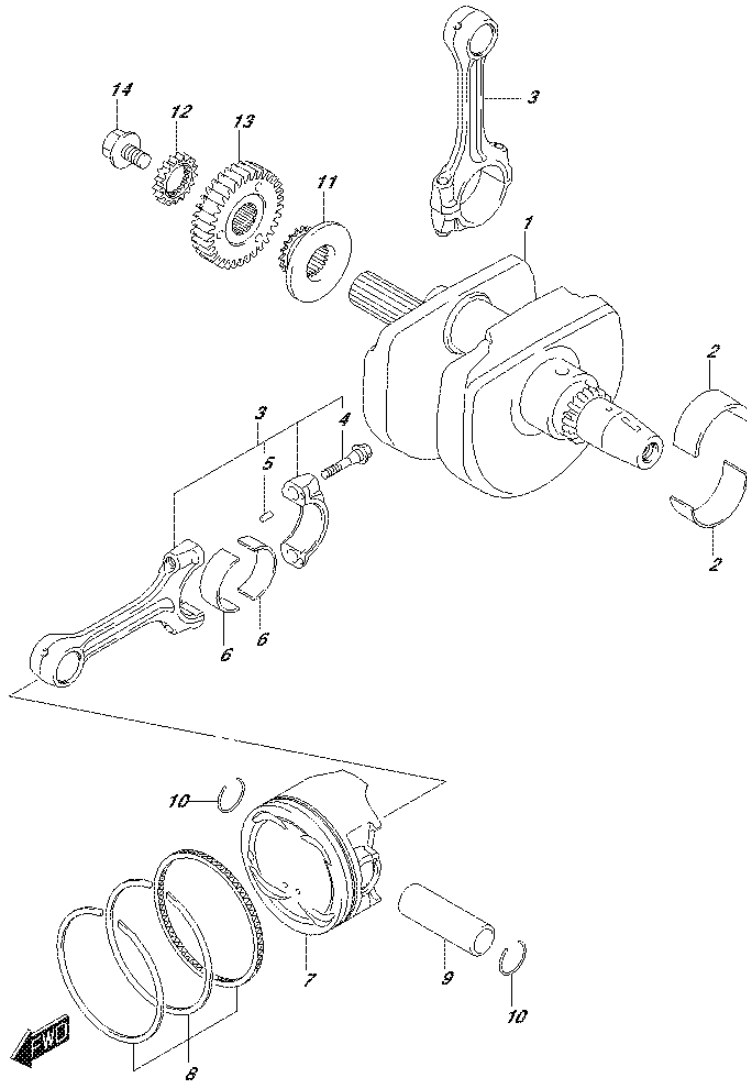


FIG.120A (1-B-8) CRANKSHAFT

REF NO.	PART NO.	DESCRIPTION	Q'TY	REMARKS
1	12220-44H20	CRANKSHAFT	1	
2-1	12229-44H10-0A0	BEARING, CRANKSHAFT (GREEN)	4	
2-2	12229-44H10-0B0	BEARING, CRANKSHAFT (BLACK)	4	
2-3	12229-44H10-0C0	BEARING, CRANKSHAFT (BROWN)	4	
3	12160-17G20	CONNECTING ROD ASSY	2	
4	12163-24F10	.BOLT, CONNECTING ROD	4	
5	04221-04089	.KNOCK PIN	4	
6-1	12164-46E10-0A0	BEARING, CRANK PIN (GREEN)	4	
6-2	12164-46E10-0B0	BEARING, CRANK PIN (BLACK)	4	
6-3	12164-46E10-0C0	BEARING, CRANK PIN (BROWN)	4	
6-4	12164-46E10-0D0	BEARING, CRANK PIN (YELLOW)	4	
7	12111-18K00-0F0	PISTON	2	
8	12140-15H10	RING SET, PISTON	2	
9	12151-05A10	PIN, PISTON	2	
10	09381-20004	SNAP RING	4	
11	12731-19F00	SPROCKET, CAM CHAIN DRIVE	1	
12	17451-17G00	GEAR, WATER PUMP DRIVE (NT:17)	1	
13	21100-44H00	GEAR, PRIMARY DRIVE (NT:34)	1	
14	09103-10338	BOLT (10X19)	1	

FIG. 122A

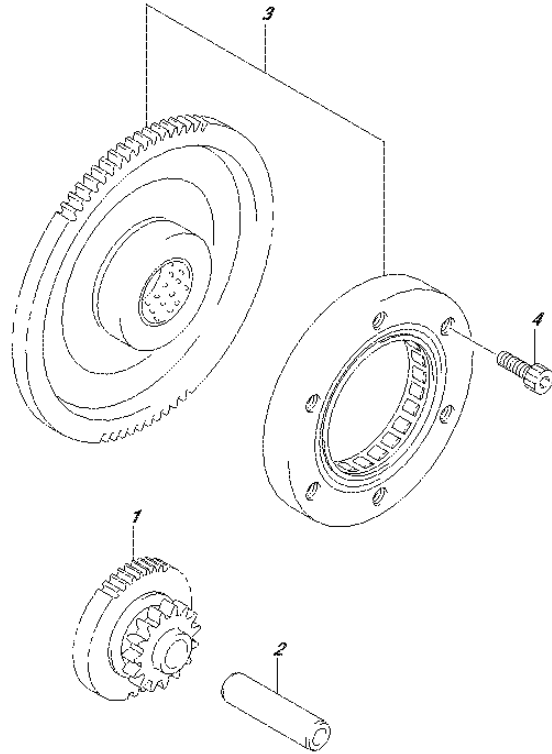


FIG.122A (1-B-9) STARTER CLUTCH

REF NO.	PART NO.	DESCRIPTION	Q'TY	REMARKS
1	12611-27G00	GEAR, STARTER IDLE (NT:15/53)	1	
2	09206-12006	PIN (8X12X45.5)	1	
3	12600-06821	CLUTCH SET, STARTER (NT:34)	1	
4	09106-08190	BOLT (8X16)	6	



FIG. 126A

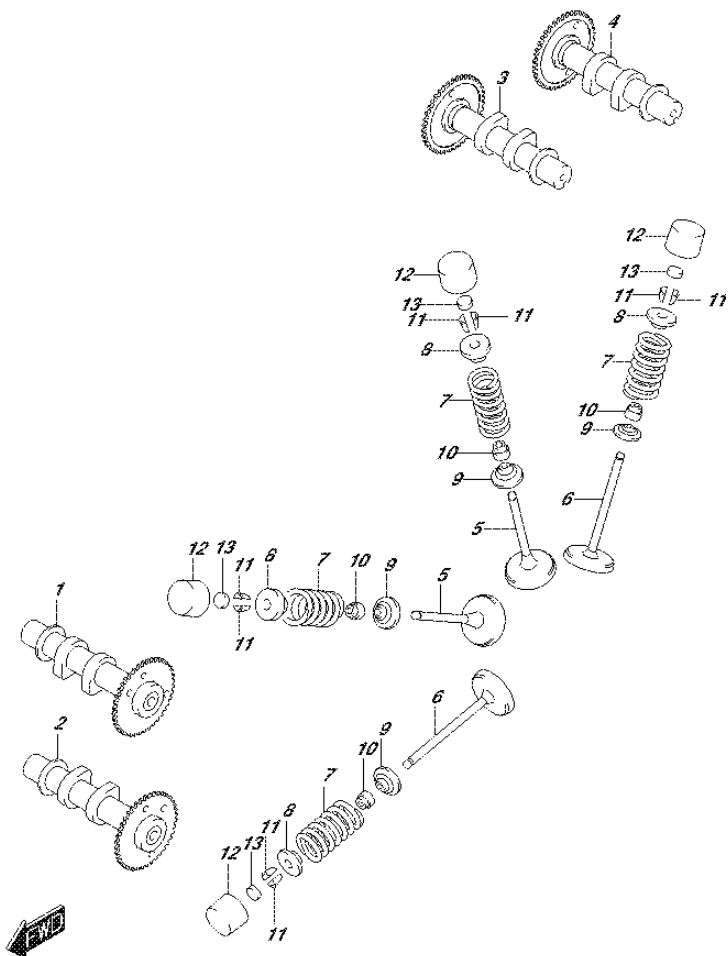


FIG.126A (1-B-10) CAMSHAFT/VALVE

REF NO.	PART NO.	DESCRIPTION	Q'TY	REMARKS
1	12710-18K00	CAMSHAFT, INTAKE FRONT	1	
2	12720-18K00	CAMSHAFT, EXHAUST FRONT	1	
3	12730-18K00	CAMSHAFT, INTAKE REAR	1	
4	12740-18K00	CAMSHAFT, EXHAUST REAR	1	
5	12911-18K00	VALVE, INTAKE	4	
6	12912-18K00	VALVE, EXHAUST	4	
7	12921-44H00	SPRING, VALVE	8	
8	12931-17E01	RETAINER, VALVE SPRING	8	
9	12933-17E00	SEAT, VALVE SPRING	8	
10	09289-04002	OIL SEAL (4.5X10X8)	8	
11	12932-32C00	COTTER, VALVE	16	
12	12891-17E00	TAPPET	8	
13-1	12892-05C00-120	SHIM, TAPPET (T:1.20)	8	
13-2	12892-05C00-125	SHIM, TAPPET (T:1.25)	8	
13-3	12892-05C00-130	SHIM, TAPPET (T:1.30)	8	
13-4	12892-05C00-135	SHIM, TAPPET (T:1.35)	8	
13-5	12892-05C00-140	SHIM, TAPPET (T:1.40)	8	
13-6	12892-05C00-145	SHIM, TAPPET (T:1.45)	8	
13-7	12892-05C00-150	SHIM, TAPPET (T:1.50)	8	
13-8	12892-05C00-155	SHIM, TAPPET (T:1.55)	8	
13-9	12892-05C00-160	SHIM, TAPPET (T:1.60)	8	
13-10	12892-05C00-165	SHIM, TAPPET (T:1.65)	8	
13-11	12892-05C00-170	SHIM, TAPPET (T:1.70)	8	
13-12	12892-05C00-175	SHIM, TAPPET (T:1.75)	8	
13-13	12892-05C00-180	SHIM, TAPPET (T:1.80)	8	
13-14	12892-05C00-185	SHIM, TAPPET (T:1.85)	8	
13-15	12892-05C00-190	SHIM, TAPPET (T:1.90)	8	
13-16	12892-05C00-195	SHIM, TAPPET (T:1.95)	8	
13-17	12892-05C00-200	SHIM, TAPPET (T:2.00)	8	
13-18	12892-05C00-205	SHIM, TAPPET (T:2.05)	8	
13-19	12892-05C00-210	SHIM, TAPPET (T:2.10)	8	
13-20	12892-05C00-215	SHIM, TAPPET (T:2.15)	8	
13-21	12892-05C00-220	SHIM, TAPPET (T:2.20)	8	

FIG.126A

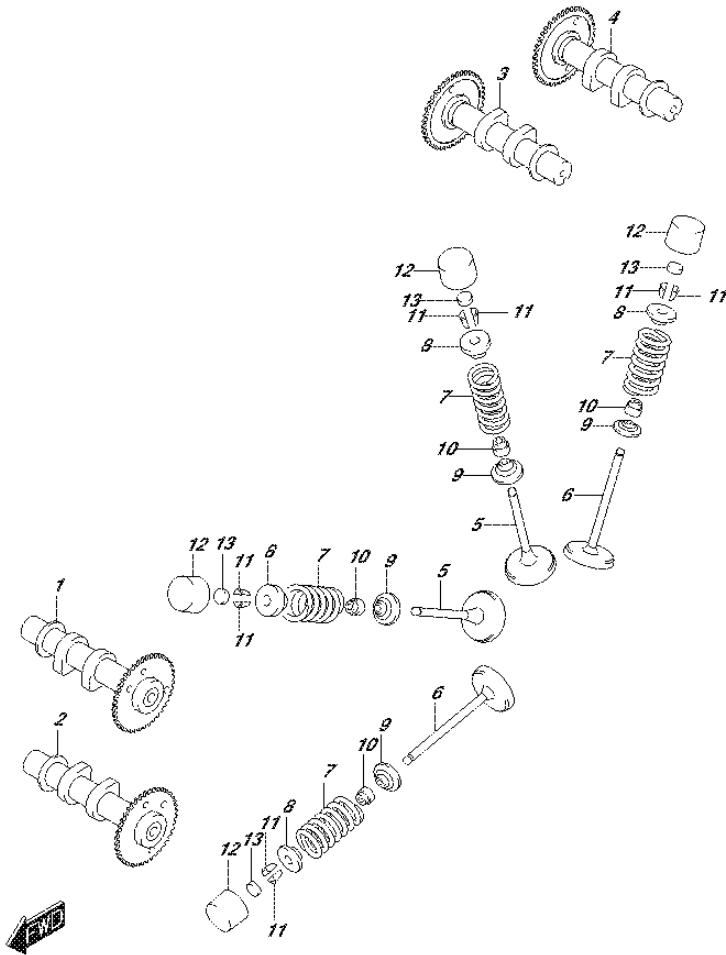


FIG.126A (1-B-11) CAMSHAFT/VALVE

REF NO.	PART NO.	DESCRIPTION	Q'TY	REMARKS
14	12800-05830	SHIM SET, TAPPET T:1.20, 1.25..2.95, 3.00 (5PCS.EACH) & CASE	1	OPT NOT ILLUSTRATED
15	99000-69491	.CASE, TAPPET SHIM	1	OPT NOT ILLUSTRATED

FIG.127A

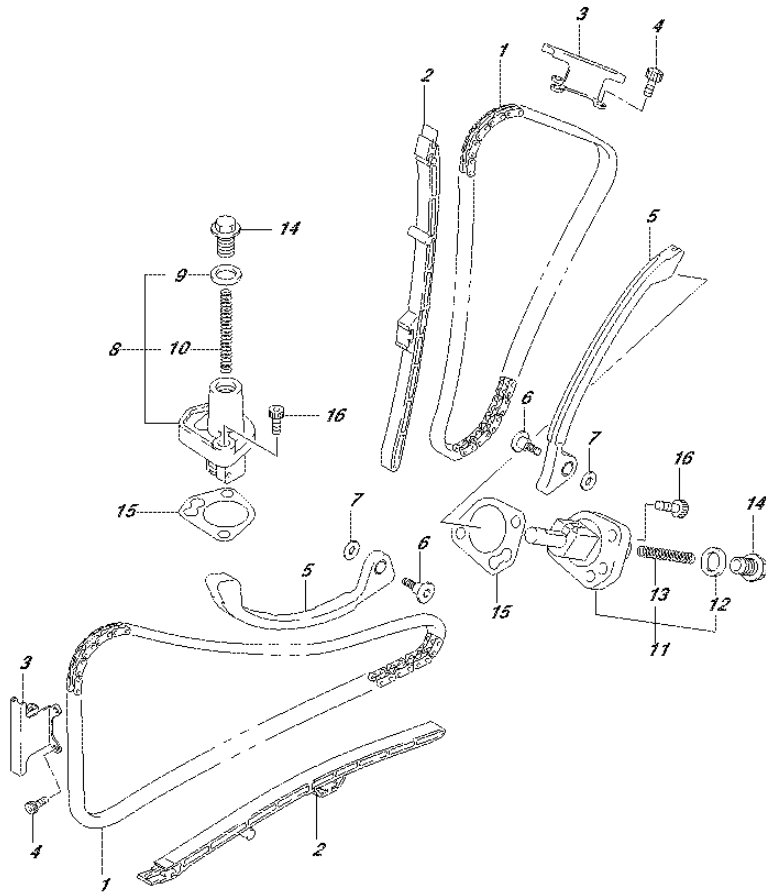


FIG.127A (1-B-12) CAM CHAIN

REF NO.	PART NO.	DESCRIPTION	Q'TY	REMARKS
1	12760-19F01	CHAIN, CAM SHAFT DRIVE	2	
2	12771-44H00	GUIDE, CAM CHAIN NO.1	2	
3	12782-19F00	GUIDE, CAM CHAIN NO.2	2	
4	07130-0612A	BOLT	6	
5	12811-17G00	TENSIONER, CAM CHAIN	2	
6	12812-35C00	BOLT, CAM CHAIN TENSIONER	2	
7	08211-06181	WASHER	2	
8	12830-27G00	ADJUSTER ASSY, TENSIONER FRONT	1	
9	12837-24F10	.GASKET, TENSIONER ADJUSTER	1	
10	12831-39F00	.SPRING	1	
11	12830-27G10	ADJUSTER ASSY, TENSIONER REAR	1	
12	12837-24F10	.GASKET, TENSIONER ADJUSTER	1	
13	12831-39F00	.SPRING	1	
14	12833-17G00	PLUG, TENSIONER ADJUSTER	2	
15	12837-27G10	GASKET, TENSIONER ADJUSTER	2	
16	07130-0625A	BOLT	4	

FIG.140A

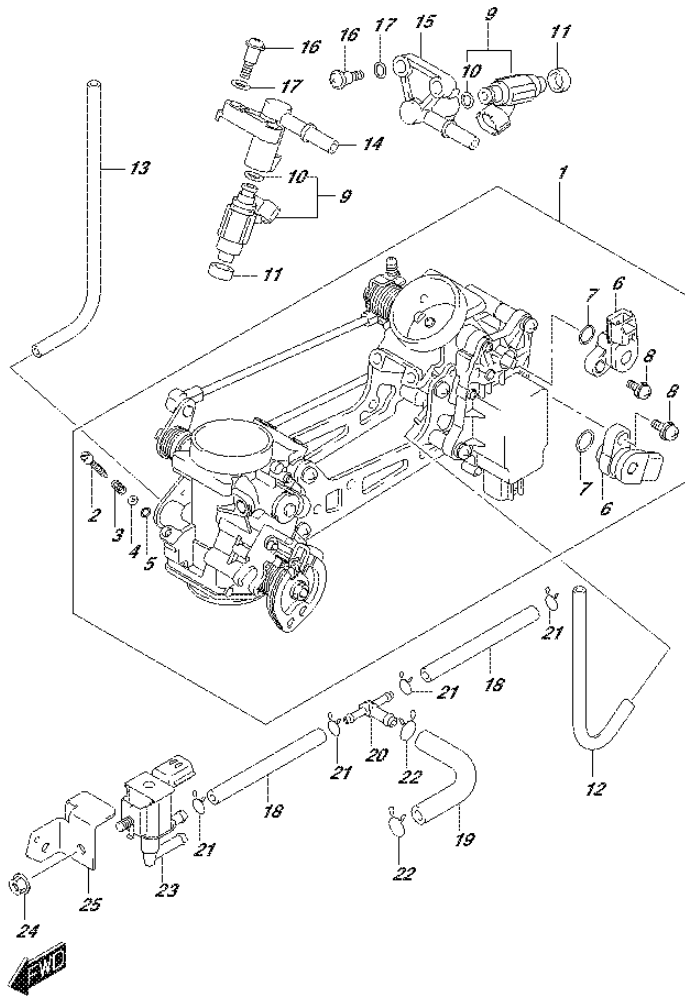


FIG.140A (1-B-13) THROTTLE BODY

REF NO.	PART NO.	DESCRIPTION	Q'TY	REMARKS
1	13405-18K10	THROTTLE BODY	1	
2	13269-33E00	.SCREW	2	
3	13268-48700	.SPRING, THROTTLE SCREW	2	
4	13606-47A00	.WASHER	2	
5	13295-29900	.O RING	2	
6	13580-27G21	.SENSOR ASSY	2	
7	13575-29G00	.O RING	2	
8	13605-02F00	.SCREW	2	
9	15710-11J00	INJECTOR ASSY	2	
10	15717-58B00	.O RING	2	
11	15722-29G00	SEAL	2	
12	13683-10F70	HOSE	1	
13	13683-01H00	HOSE	1	
14	15731-11J00	DELIVERY PIPE	1	
15	15732-11J00	DELIVERY PIPE	1	
16	13601-11J00	SCREW, DELIVERY PIPE	4	
17	13602-29G00	PACKING	4	
18	13681-06G40	HOSE	2	
19	13683-44H30	HOSE	1	
20	13685-04F10	NIPPLE	1	
21	09401-06101	CLIP	4	
22	09401-10410	CLIP	2	
23	18117-52G10	VALVE, WASTEGATE CONT	1	
24	08316-1006A	NUT	1	
25	18119-44H00	BRACKET	1	

FIG.155A

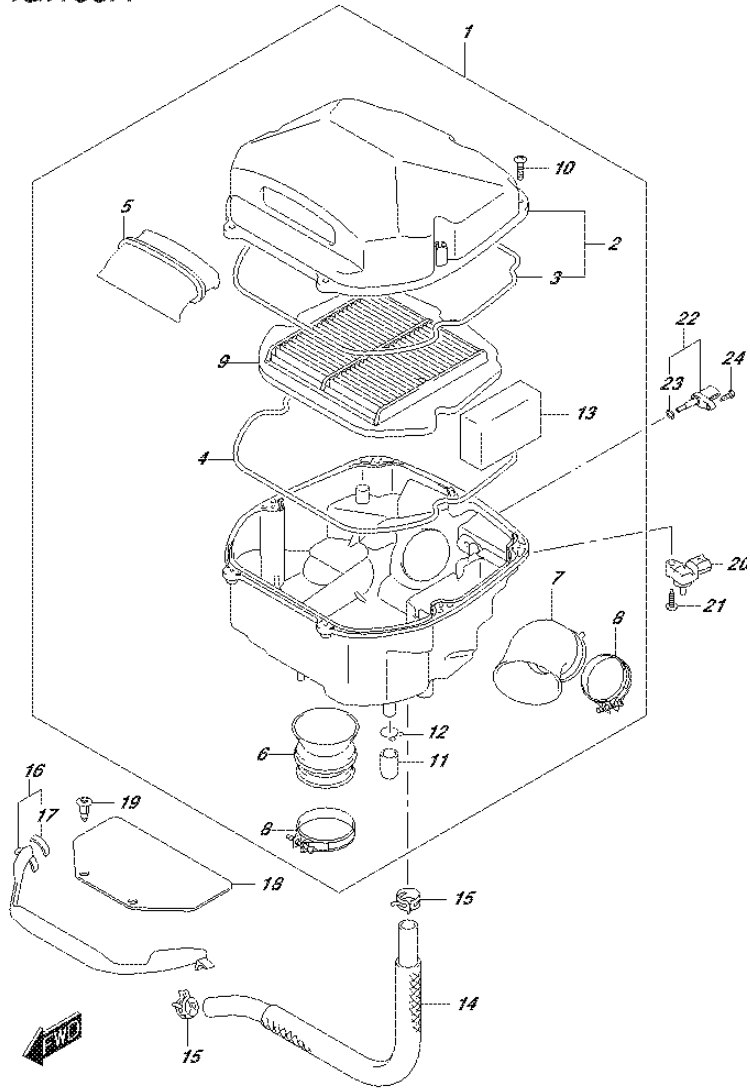


FIG.155A (1-B-14) AIR CLEANER

REF NO.	PART NO.	DESCRIPTION	Q'TY	REMARKS
1	13700-18K00	CLEANER ASSY, AIR	1	
2	13740-44H00	.CAP, AIR CLEANER	1	
3	13746-44H00	..GASKET	1	
4	13746-44H00	.GASKET	1	
5	13891-18K00	.TUBE, INLET	1	
6	13881-18K00	.TUBE, OUTLET A	1	
7	13882-18K00	.TUBE, OUTLET B	1	
8	13826-44H01	.CLAMP, OUTLET TUBE	2	
9	13780-44H00	.FILTER, AIR CLEANER	1	
10	03541-0520A	.SCREW	7	
11	13859-41B10	.PLUG	1	
12	09401-14101	.CLIP	1	
13	13788-44H00	.FILTER, BREATHER	1	
14	13850-18K00	TUBE, BREATHER	1	
15	09401-20405	CLIP	2	
16	13840-44H00	COVER, INLET	1	
17	44894-24A00	.CUSHION	2	
18	13841-44H00	SHEET, CLEANER INLET	1	
19	09409-08308-5ES	CLIP (BLACK)	2	
20	18590-18K00	SENSOR, BOOST	2	
21	03541-0520A	SCREW	2	
22	13650-41F10	SENSOR AIR TEMP	1	
23	13655-41F10	.O RING	1	
24	03511-0516A	SCREW	1	

FIG.163A

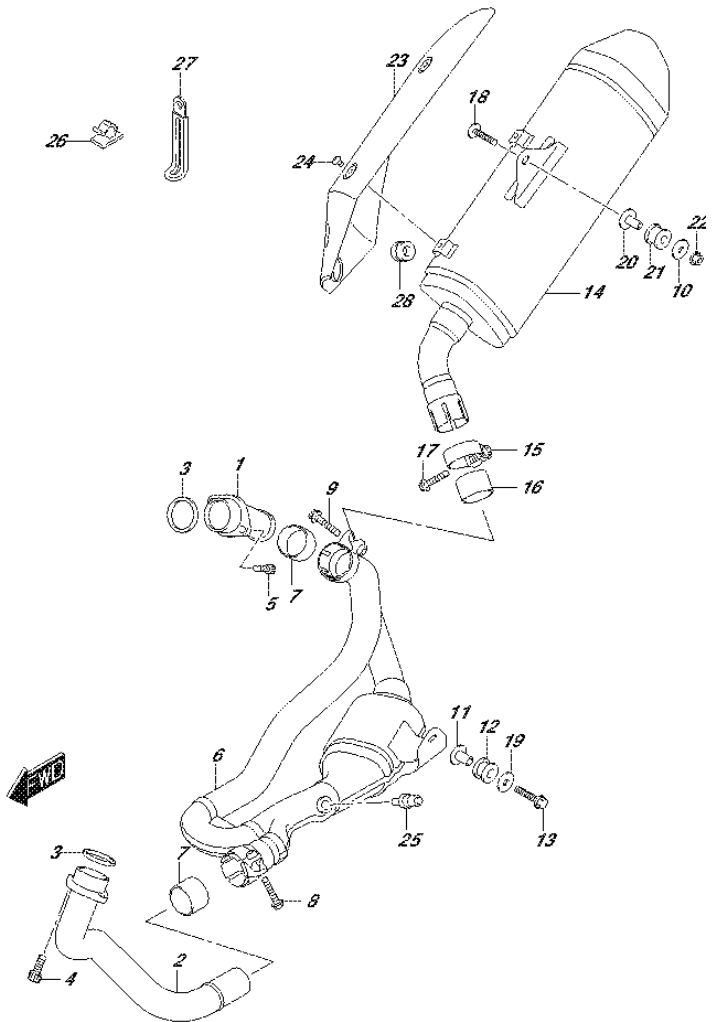


FIG.163A (1-B-15) MUFFLER

REF NO.	PART NO.	DESCRIPTION	Q'TY	REMARKS
1	14150-18K00	PIPE, EXHAUST RR	1	
2	14160-18K00	PIPE, EXHAUST FR	1	
3	14181-22D01	GASKET, EXHAUST PIPE	2	
4	09106-08178	BOLT (8X25)	2	
5	07130-0825A	BOLT	2	
6	14205-18K10	PIPE, EXH CTR	1	
7	14771-32E10	CONNECTOR, EXHAUST	2	
8	09103-08365	BOLT (8X35)	1	
9	09106-08162	BOLT (8X40)	1	
10	09160-08135	WASHER (8.5X28X1.6)	1	
11	09180-08152	SPACER (8.6X12X24.2)	1	
12	09320-12077	CUSHION	1	
13	01550-0840A	BOLT	1	
14	14310-18K00-H01	BODY, MUFFLER	1	
15	14459-19F10	CLAMP, MUFFLER CONNECTOR	1	
16	14771-32E10	CONNECTOR, MUFFLER	1	
17	09103-08365	BOLT (8X35)	1	
18	09106-08164	BOLT (8X45)	1	
19	09160-08135	WASHER (8.5X28X1.6)	1	
20	09180-08152	SPACER (8.6X12X24.2)	1	
21	09320-12048	CUSHION	1	
22	08316-1008A	NUT	1	
23	14780-18K00	COVER, MUF	1	
24	09139-06122	SCREW (6X10)	2	
25	18213-18K00	SENSOR, OXYGEN	1	
26	09403-08327	CLIP	1	
27	09404-06429	CLAMP (L:45)	1	
28	09320-04009	CUSHION	1	

FIG.170A

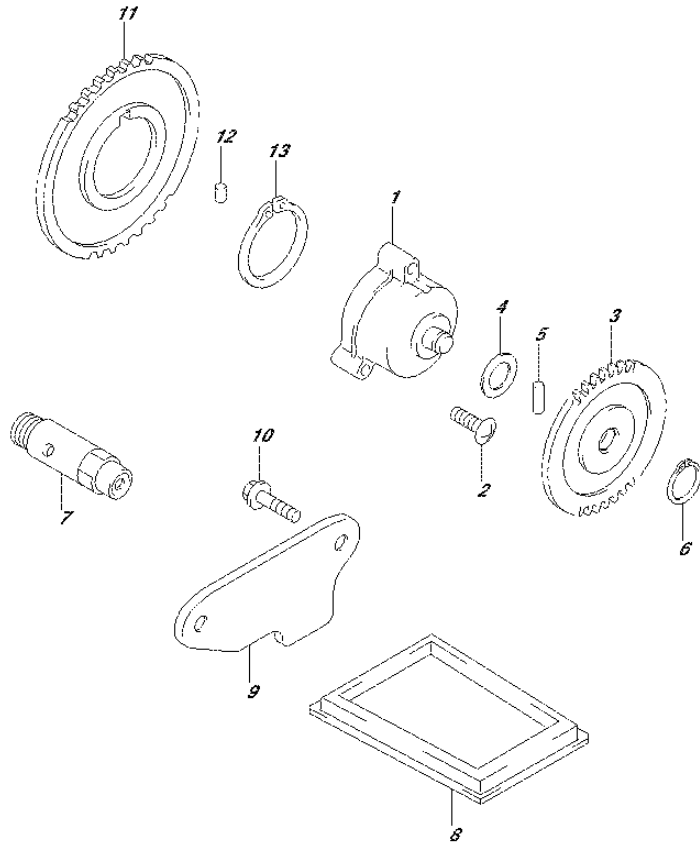


FIG.170A (1-C-2) OIL PUMP

REF NO.	PART NO.	DESCRIPTION	Q'TY	REMARKS
1	16400-20F00	PUMP ASSY, ENGINE OIL	1	
2	07130-0625A	BOLT	3	
3	16331-19F00	GEAR, ENG OIL PUMP DRIVEN (NT:34)	1	
4	09181-10158	SHIM (10X18X0.5)	1	
5	09261-04001	PIN (4X18.5)	1	
6	08331-31109	CIRCLIP	1	
7	16440-17C20	VALVE ASSY, OIL RELIEF	1	
8	16520-32E00	STRAINER, ENGINE OIL	1	
9	16523-17G00	CAP, OIL STRAINER	1	
10	07130-0612A	BOLT	2	
11	16321-19F00	GEAR, ENGINE OIL PUMP DRIVE (NT:45)	1	
12	09261-06002	PIN (6X6)	1	
13	08331-31383	CIRCLIP	1	



FIG.172A

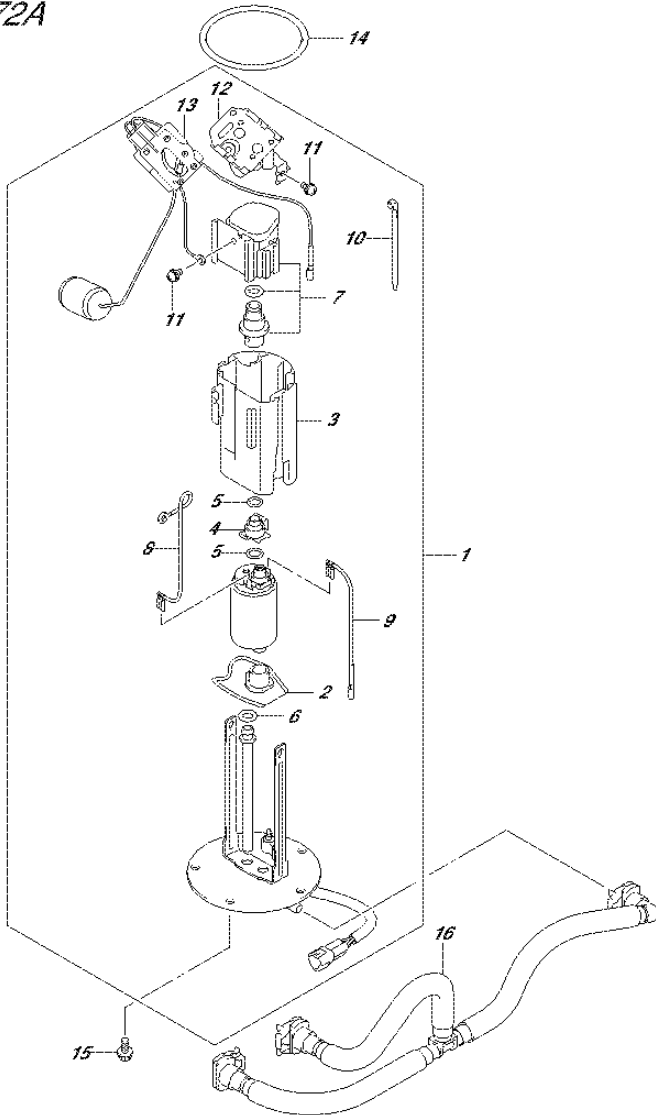


FIG.172A (1-C-3) FUEL PUMP

REF NO.	PART NO.	DESCRIPTION	Q'TY	REMARKS
1	15100-18K00	PUMP ASSY, FUEL	1	
2	15420-31J00	.STRAINER	1	
3	15111-27G00	.CUP, RESERVOIR	1	
4	15112-05H00	.JOINT	1	
5	15113-05H00	.O RING	2	
6	15113-35F00	.O RING	1	
7	15610-14J00	.REGULATOR	1	
8	15114-14J00	.WIPE, EARTH	1	
9	15115-08J00	.WIRE, LEAD	1	
10	15151-31J00	.BINDER	1	
11	15116-10F00	.SCREW	3	
12	15181-18K00	.BRACKET, FUEL GAUGE	1	
13	34810-18K00	.GAUGE ASSY	1	
14	15201-35F00	O RING, FUEL PUMP	1	
15	07120-0612A	BOLT	5	
16	15810-18K00	HOSE, FUEL	1	



FIG.178A

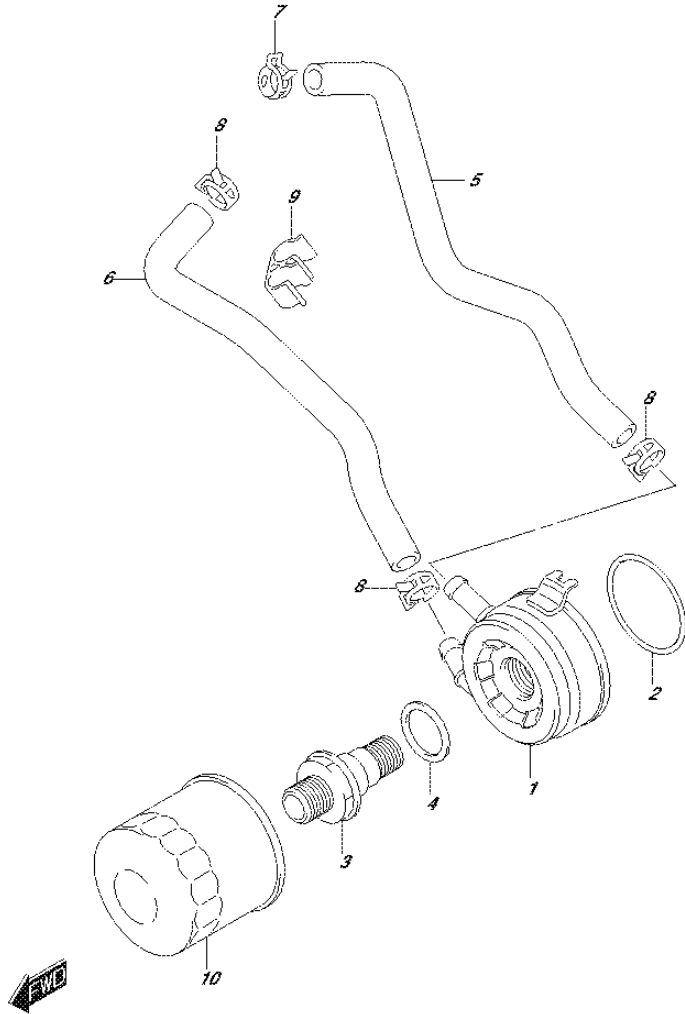


FIG.178A (1-C-4) OIL COOLER

REF NO.	PART NO.	DESCRIPTION	Q'TY	REMARKS
1	16600-44H00	COOLER ASSY, OIL	1	
2	09280-55002	O RING (D:3.1,ID:54.5)	1	
3	16591-02F00	BOLT, OIL COOLER UNION	1	
4	09181-25160	SHIM (25X34X0.7)	1	
5	16461-18K00	HOSE, INLET	1	
6	16471-44H00	HOSE, OUTLET	1	
7	09401-16407	CLIP	1	
8	09401-16409	CLIP	3	
9	09408-00267	CLAMP	1	
10	16510-07J00	FILTER ASSY, ENGINE OIL	1	

FIG. 180A

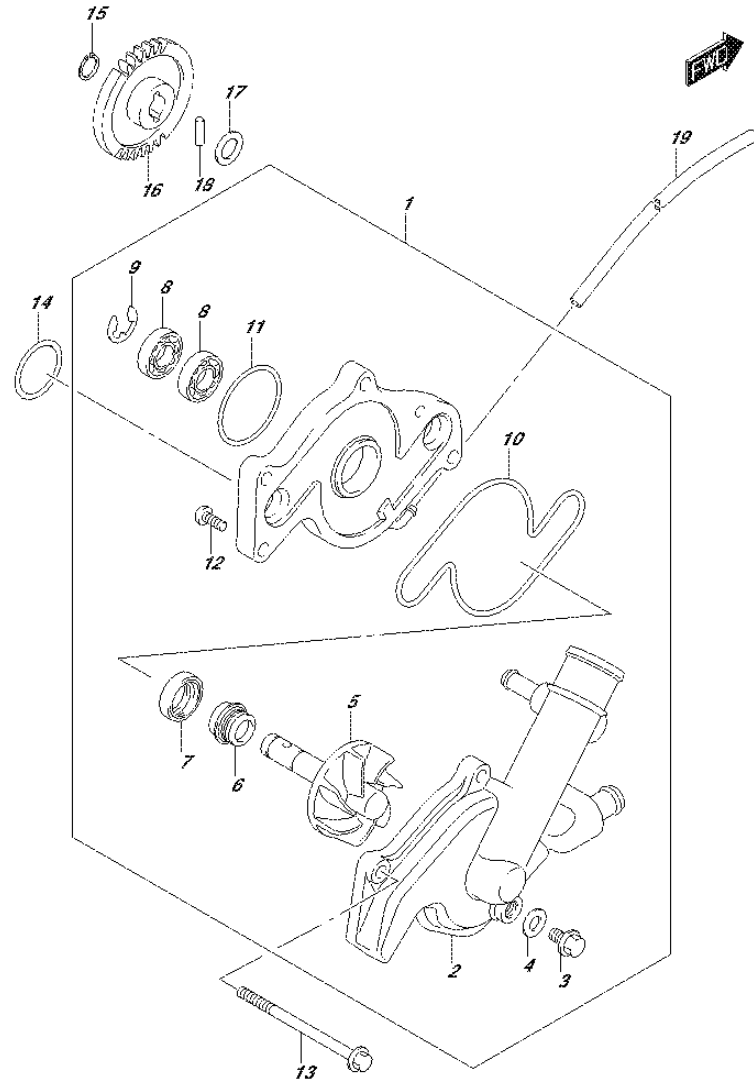


FIG.180A (1-C-5) WATER PUMP

REF NO.	PART NO.	DESCRIPTION	Q'TY	REMARKS
1	17400-18K00	PUMP ASSY, WATER	1	
2	17411-18K00	.CASE, WATER PUMP	1	
3	17415-20920	.BOLT	1	
4	09168-08016	.WASHER	1	
5	17491-19F40	.IMPELLER/SHAFT	1	
6	17470-02F10	.SEAL, MECHANICAL	1	
7	17461-48G00	.OIL SEAL (10X21X5)	1	
8	09262-10014	.BEARING	2	
9	08332-1108A	.E RING	1	
10	17418-19F00	.O RING	1	
11	17435-33400	.O RING	1	
12	02112-0510A	.SCREW	2	
13	09103-06225	BOLT (6X70)	3	
14	09280-22001	O RING (D:2.4,ID:21.8)	2	
15	08331-31109	CIRCLIP	1	
16	17461-44H00	GEAR, WATER PUMP DRIVEN (NT:34)	1	
17	09181-10158	SHIM (10X18X0.5)	1	
18	09261-04002	ROLLER (4X13.8)	1	
19	09352-35653-600	HOSE (3.5X6.5X600)	1	L:600->320

FIG.185A

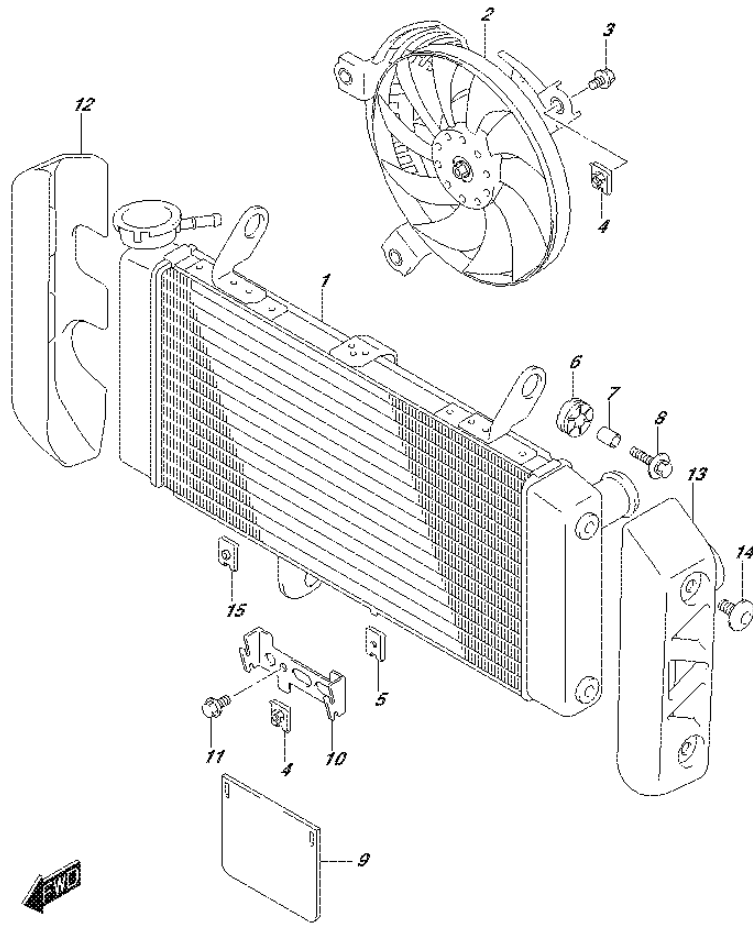
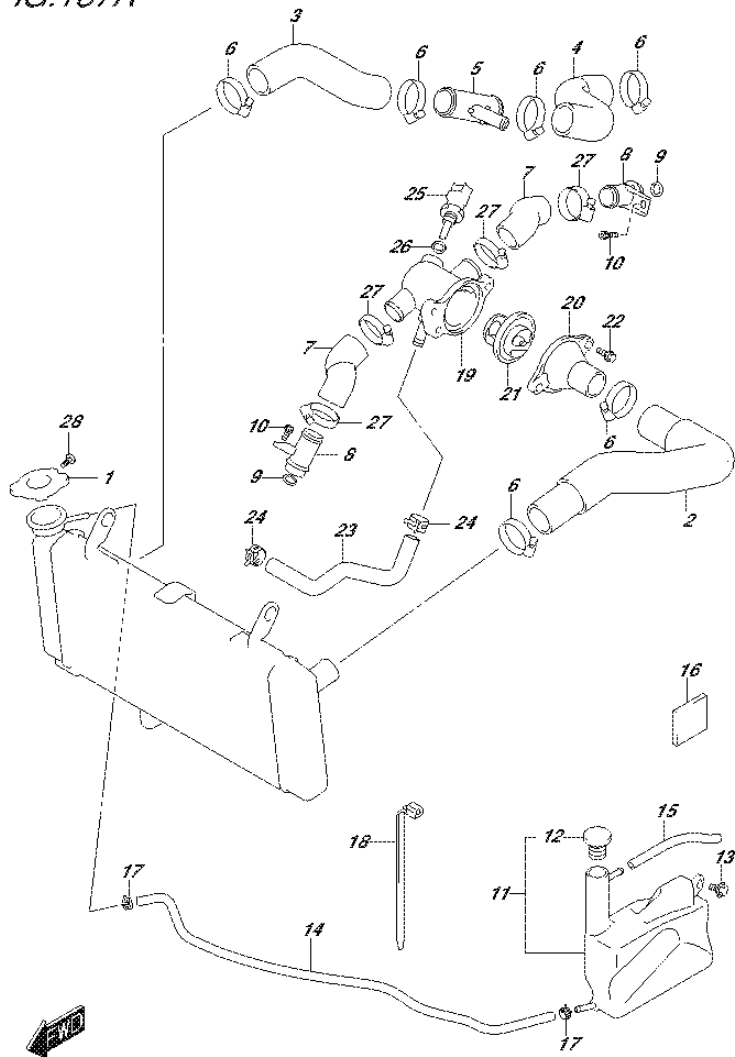


FIG.185A (1-C-6) RADIATOR

REF NO.	PART NO.	DESCRIPTION	Q'TY	REMARKS
1	17710-18K00	RADIATOR ASSY, WATER	1	
2	17800-18K00	FAN ASSY, RADIATOR	1	
3	01550-0616A	BOLT	3	
4	17802-14F00	NUT, FAN ASSY	1	
5	17802-45G00	NUT, FAN ASSY	1	
6	09320-10051	CUSHION	3	
7	09180-06290	SPACER (6.5X10X12)	3	
8	09118-06097	BOLT (6X25)	3	
9	17781-17G00	RUBBER, RADIATOR UNDER	1	
10	17741-17G00	BRACKET, RADIATOR UNDER RUBBER	1	
11	01547-0610A	BOLT	1	
12	17761-18K00	COVER, RADIATOR, RH	1	
13	17762-18K00	COVER, RADIATOR, LH	1	
14	09139-06183	SCREW (6X12)	4	
15	17802-12K00	NUT	1	

FIG.187A



SV650AL7_E14_187A
RADIATOR HOSE

FIG.187A (1-C-7) RADIATOR HOSE

REF NO.	PART NO.	DESCRIPTION	Q'TY	REMARKS
1	17730-08D10	CAP, RADIATOR (1.1)	1	
2	17851-44H00	HOSE, RADIATOR INLET	1	
3	17852-44H00	HOSE, RADIATOR OUTLET NO.1	1	
4	17854-18K00	HOSE, RADIATOR OUTLET NO.2	1	
5	17881-18K00	PIPE, WATER HOSE THREE WAY	1	
6	09402-35501	CLAMP	6	
7	17853-19F00	HOSE, CONNECTOR INLET	2	
8	17890-06G20	UNION, CONNECTOR HOSE	2	
9	09280-18008	O RING (D:3.2,ID:17.8)	2	
10	07130-0612A	BOLT	2	
11	17910-18K00	TANK ASSY, RESERVOIR	1	
12	17931-02FA0	.CAP, RESERVOIR TANK	1	
13	09111-06083	BOLT (6X12)	1	
14	17981-18K00	HOSE, RESERVOIR TANK INLET	1	
15	09352-50901-600	HOSE (5X9X600)	1	L:600->180
16	63191-25C00	CUSHION, RESERVOIR TANK	1	CUT AS REQUIRED
17	09401-08411	CLIP	2	
18	09407-18402	CLAMP (L:165)	1	
19	17662-02F11	CONNECTOR, THERMOSTAT INLET	1	
20	17663-17G00	CAP, THERMOSTAT CONNECTOR	1	
21	17670-06G60	THERMOSTAT, WATER	1	
22	01547-0616A	BOLT	2	
23	17856-44H00	HOSE, CONNECTOR TO WATER PUMP	1	
24	09401-12414	CLIP	2	
25	13650-49X00	SENSOR, WATER TEMPERATURE	1	
26	09168-12017	GASKET (12X17X1)	1	
27	09402-28513	CLAMP	4	
28	17733-03D10	SCREW	1	

SV650AL7_E14

FIG.201A

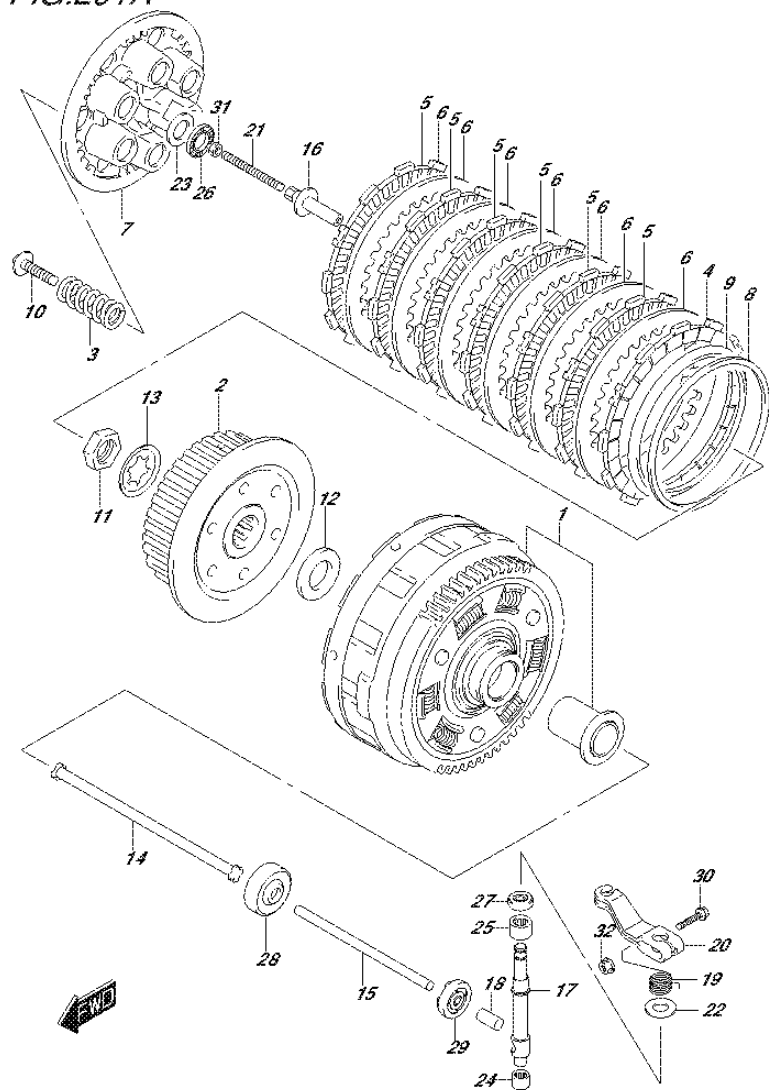
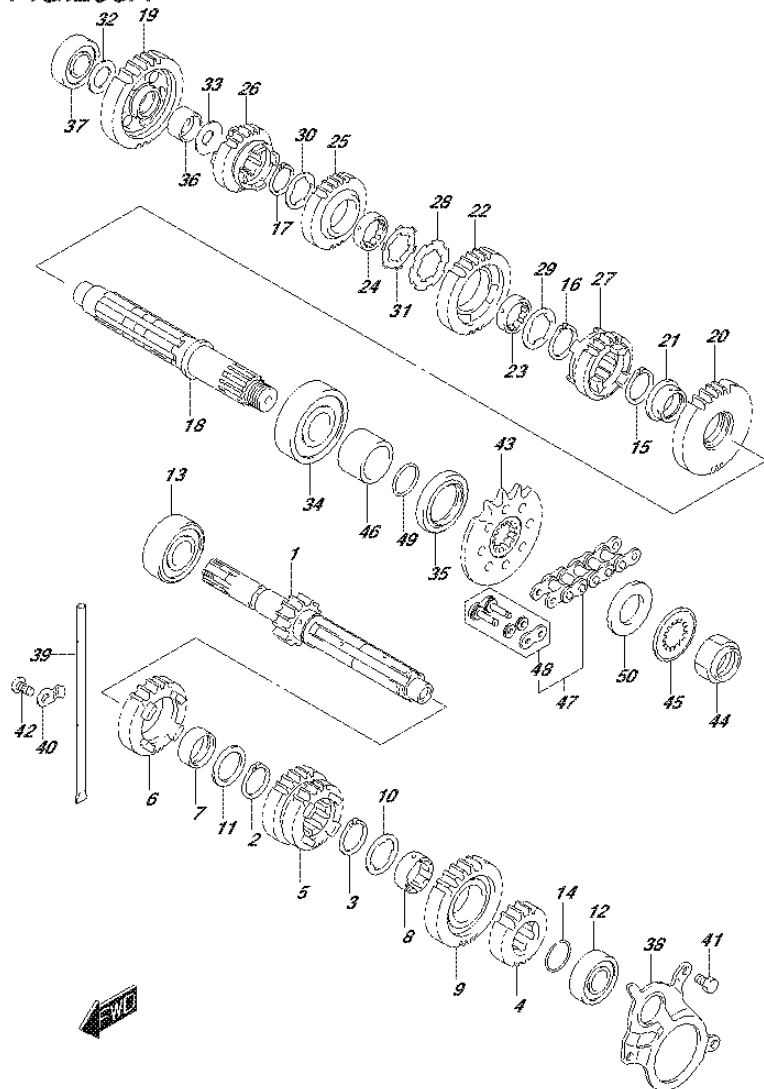


FIG.201A (1-C-8) CLUTCH

REF NO.	PART NO.	DESCRIPTION	Q'TY	REMARKS
1	21200-44860	GEAR ASSY, PRIMARY DRIVEN (NT:71)	1	
2	21411-44101	HUB, CLUTCH SLEEVE	1	
3	21413-17G01	SPRING, CLUTCH	6	
4	21442-29F10	PLATE, CLUTCH DRIVE NO.2 (T:3.0)	1	
5	21441-29F30	PLATE, CLUTCH DRIVE (T:3.0)	6	
6	21451-28C31	PLATE, CLUTCH DRIVEN (T:1.6)	6	
7	21462-14301	DISC, CLUTCH PRESSURE	1	
8	21471-17G00	SEAT, WAVE WASHER	1	
9	21472-17G00	WASHER, CLUTCH PLATE WAVE	1	
10	09116-06203	BOLT (6X30)	6	
11	09140-20001	NUT	1	
12	09160-20067	WASHER (20X36X3)	1	
13	09167-20006	LOCK WASHER	1	
14	23110-44111	ROD, CLUTCH PUSH	1	
15	23111-15501	ROD, CLUTCH PUSH, LH	1	
16	23121-44H00	PIECE, CLUTCH PUSH	1	
17	23122-44H00	CAMSHAFT, CLUTCH RELEASE	1	
18	23123-41G00	CAP, CLUTCH PUSH ROD	1	
19	23125-41G00	SPRING, CLUTCH RELEASE	1	
20	23271-44H20	ARM, CLUTCH RELEASE	1	
21	09134-06015	SCREW (6X73)	1	
22	09160-10020	WASHER (10.5X24X1)	1	
23	09160-15045	WASHER (15.5X28X1)	1	
24	09263-10014	BEARING (10X14X10)	1	
25	09263-12027	BEARING (12X18X12)	1	
26	09263-15003	BEARING (15X28X2)	1	
27	09282-10012	OIL SEAL (10X20X6)	1	
28	09283-06008	OIL SEAL (6X34X10.5)	1	
29	09285-10004	OIL SEAL (10X17X5)	1	
30	01550-0625A	BOLT	1	
31	08310-0006A	NUT	1	
32	08316-1006A	NUT	1	

FIG.206A



SV650AL7_E14_206A
TRANSMISSION

FIG.206A (1-C-9) TRANSMISSION

REF NO.	PART NO.	DESCRIPTION	Q'TY	REMARKS
1	24120-27G00	SHAFT, COUNTER (NT:13)	1	
2	24127-19F00	CIRCLIP, 5TH DRIVE GEAR	1	
3	24127-19F00	CIRCLIP, 6TH DRIVE GEAR	1	
4	24221-20F10	GEAR, 2ND DRIVE (NT:18)	1	
5	24231-20F10	GEAR, 3RD & 4TH DRIVE (NT:21/24)	1	
6	24251-20F02	GEAR, 5TH DRIVE (NT:26)	1	
7	24252-19F00	BUSH, 5TH DRIVE GEAR	1	
8	24252-38A10	BUSH, 6TH DRIVE GEAR	1	
9	24261-20F00	GEAR, 6TH DRIVE (NT:27)	1	
10	09167-25021	LOCK WASHER	1	
11	09181-25167	SHIM (25X34X1)	1	
12	09262-17046	BEARING (17X40X12)	1	LH
13	09262-20145	BEARING (20X52X15)	1	RH
14	09380-25012	CIRCLIP	1	
15	24127-19F00	CIRCLIP, 2ND DRIVEN GEAR	1	
16	24127-19F00	CIRCLIP, 3RD DRIVEN GEAR	1	
17	24127-19F00	CIRCLIP, 4TH DRIVEN GEAR	1	
18	24130-44H10	SHAFT, DRIVE	1	
19	24311-44H00	GEAR, 1ST DRIVEN (NT:32)	1	
20	24321-44H10	GEAR, 2ND DRIVEN (NT:32)	1	
21	24322-19F10	BUSH, 2ND DRIVEN GEAR	1	
22	24331-44H00	GEAR, 3RD DRIVEN (NT:29)	1	
23	24332-24510	BUSH, 3RD DRIVEN GEAR	1	
24	24332-24510	BUSH, 4TH DRIVEN GEAR	1	
25	24341-44H00	GEAR, 4TH DRIVEN (NT:27)	1	
26	24351-44H10	GEAR, 5TH DRIVEN (NT:25)	1	
27	24361-44H00	GEAR, 6TH DRIVEN (NT:23)	1	
28	09167-25013	LOCK WASHER	1	
29	09167-25021	LOCK WASHER	1	
30	09167-25021	LOCK WASHER	1	
31	09169-25001	WASHER	1	
32	09181-17195	SHIM (17X28X1)	1	
33	09181-20195	SHIM (20X30X1)	1	

SV650AL7_E14

FIG.206A

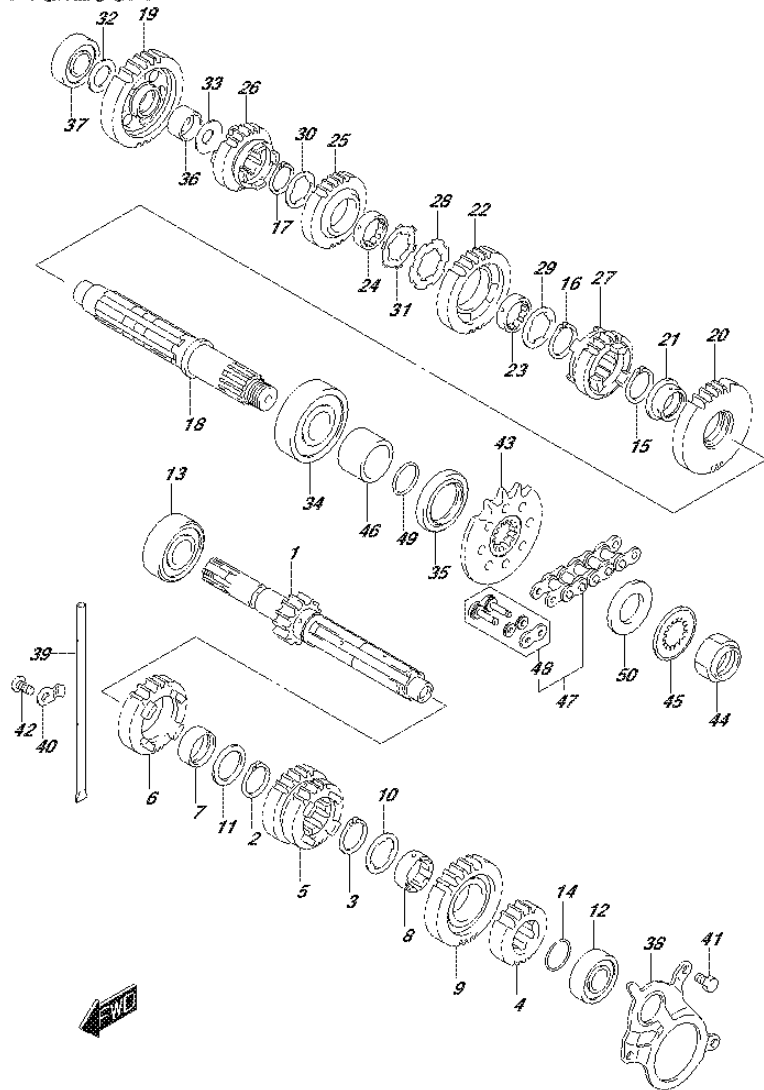


FIG.206A (1-C-10) TRANSMISSION

REF NO.	PART NO.	DESCRIPTION	Q'TY	REMARKS
34	09262-25125	BEARING (25X62X17)	1	LH
35	09283-36011	OIL SEAL (36X50X6)	1	
36	09300-20032	BUSH (20X24X13)	1	
37	09262-17023	BEARING (17X40X12)	1	RH
38	24751-19F10	RETAINER, DRIVE SHAFT OIL SEAL	1	
39	24881-12C30	GUIDE, T/M OIL	1	
40	24885-12C10	RETAINER, T/M OIL	1	
41	01500-0612A	BOLT	3	
42	02112-0612A	SCREW	1	
43	27511-12C00	SPROCKET, ENGINE (NT:15)	1	
44	09159-20004	NUT	1	
45	09167-25028	LOCK WASHER	1	
46	27531-19F10	SPACER, ENGINE SPROCKET	1	
47	27600-44H10-112	CHAIN ASSY, DRIVE (DID 520V0)	1	
48	27620-44H10	JOINT SET, CHAIN	1	
49	09280-24010	O RING (D:2.4, ID:23.7)	1	
50	08211-25442	WASHER	1	

FIG.212A

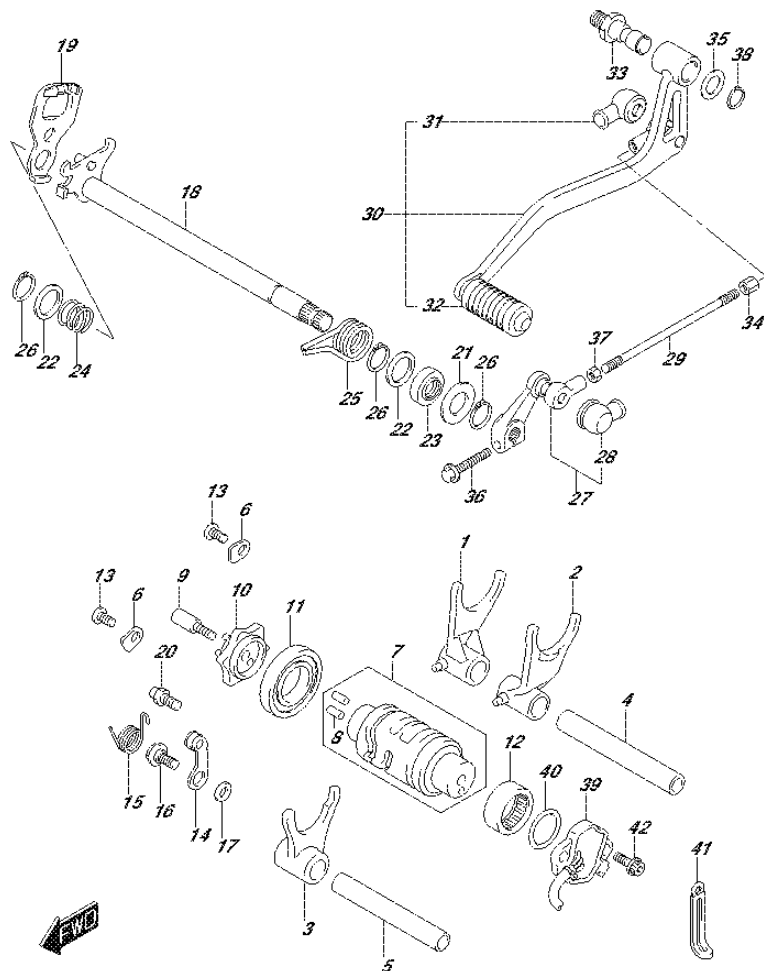


FIG.212A (1-C-11) GEAR SHIFTING

REF NO.	PART NO.	DESCRIPTION	Q'TY	REMARKS
1	25211-42E20	FORK, GEAR SHIFT NO.1	1	
2	25221-42E20	FORK, GEAR SHIFT NO.2	1	
3	25231-42E20	FORK, GEAR SHIFT NO.3	1	
4	25411-26D01	SHAFT, GEAR SHIFT FORK	1	
5	25411-44B00	SHAFT, GEAR SHIFT FORK	1	
6	24741-21A00	RETAINER, SHIFT CAM BEARING	2	
7	25310-19F00	CAM, GEAR SHIFT	1	
8	04221-04089	.KNOCK PIN	2	
9	25312-42F01	STOPPER, GEAR SHIFT CAM	1	
10	25381-19F20	PLATE, GEAR SHIFT CAM	1	
11	09262-25006	BEARING (25X47X8)	1	
12	09263-25018	BEARING (25X32X12)	1	
13	02112-0612A	SCREW	2	
14	25350-35F00	STOPPER, SHIFT CAM	1	
15	25355-35F01	SPRING	1	
16	09111-06041	BOLT (6X14.3)	1	
17	08211-06141	WASHER	1	
18	25510-19F10	SHAFT, GEAR SHIFT	1	
19	25512-06G10	PLATE, GEAR SHIFT CAM DRIVE	1	
20	25671-01011	STOPPER, GEAR SHIFT ARM	1	
21	09160-14016	WASHER (14X29X0.8)	1	
22	09181-14167	SHIM (14X22X1)	2	
23	09283-14006	OIL SEAL (14X22X6)	1	
24	09440-17009	SPRING	1	
25	09444-20001	SPRING	1	
26	08331-3114A	CIRCLIP	3	
27	25520-22A10	ARM, GEAR SHIFT LINK	1	
28	25526-47000	.COVER, DUST	1	
29	25525-44H00	ROD, GEAR SHIFT LINK	1	
30	25600-44H00	LEVER ASSY, GEAR SHIFT	1	
31	25526-47000	.COVER, DUST	1	
32	25652-20C00	.RUBBER, GEAR SHIFT PEDAL	1	
33	25617-03F10	SHAFT, GEAR SHIFT LEVER	1	
34	09140-06025	NUT	1	

FIG.212A

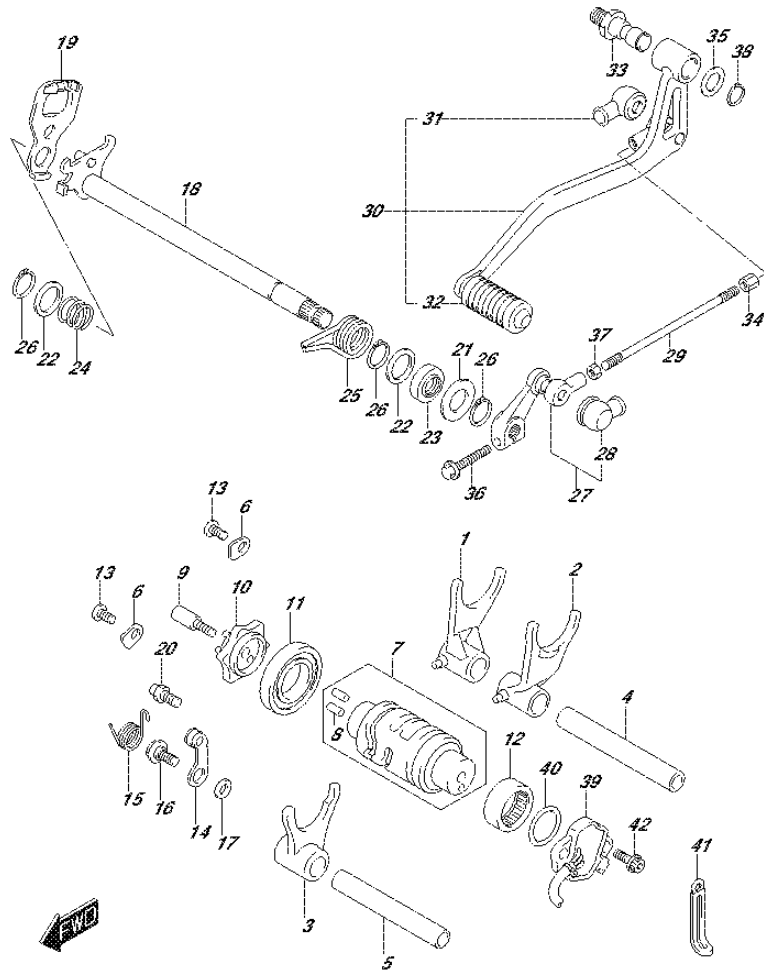


FIG.212A (1-C-12) GEAR SHIFTING

REF NO.	PART NO.	DESCRIPTION	Q'TY	REMARKS
35	09160-12011	WASHER (12.5X20X1)	1	
36	01547-0620A	BOLT	1	
37	08310-0006A	NUT	1	
38	08331-3112A	CIRCLIP	1	
39	37730-44H01	SENSOR ASSY, GEAR POSITION	1	
40	09280-26005	O RING (D:2.4, ID:26.2)	1	
41	09404-08418	CLAMP (L:65)	1	
42	09106-05023	BOLT (5X16)	2	

FIG.301A

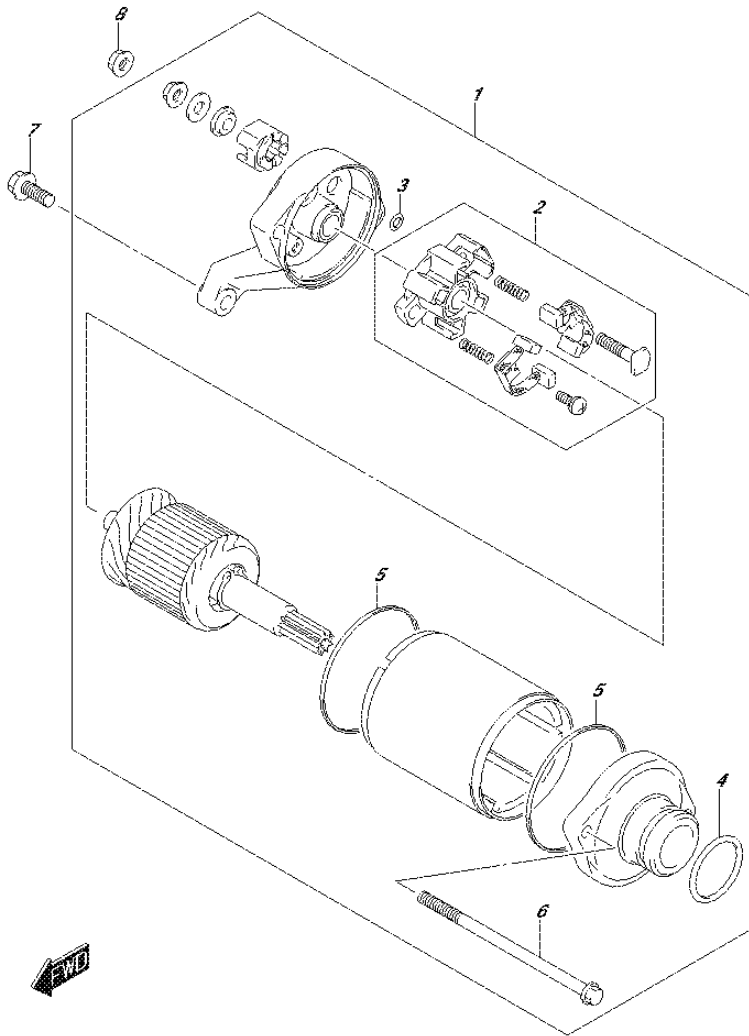


FIG.301A (1-C-13) STARTING MOTOR

REF NO.	PART NO.	DESCRIPTION	Q'TY	REMARKS
1	31100-19F10	MOTOR ASSY, STARTING	1	
2	31132-18H00	.BRUSH HOLDER SET	1	
3	31143-49040	.O RING	1	
4	31156-98E00	.O RING	1	
5	31264-38F10	.SQUARE RING	2	
6	31280-19F10	.SET BOLT	2	
7	01547-0625A	BOLT	2	
8	08361-3506A	NUT	1	

FIG.303A

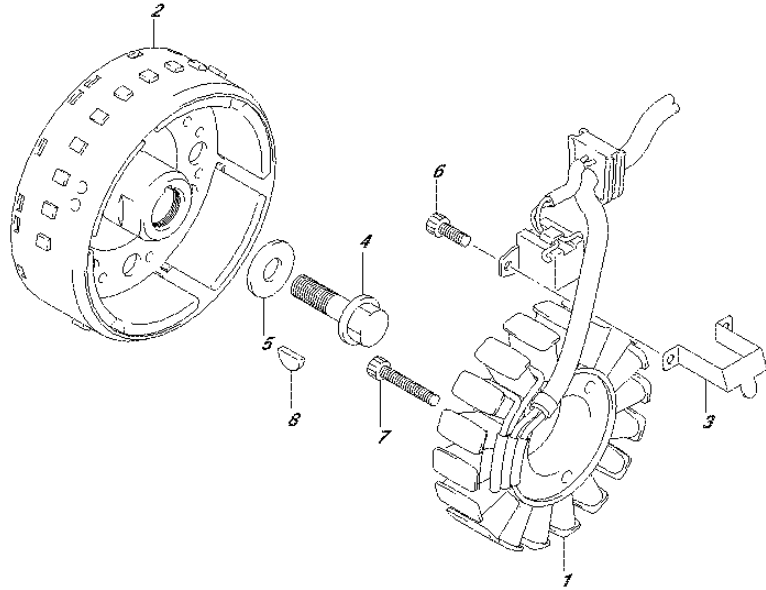


FIG.303A (1-C-14) MAGNETO

REF NO.	PART NO.	DESCRIPTION	Q'TY	REMARKS
1	32101-17G22	STATOR ASSY	1	
2	32102-17G01	ROTOR ASSY	1	
3	32371-19F10	CLAMP, MAGNETO LEAD	1	
4	09103-12004	BOLT (12X40)	1	
5	09160-12036	WASHER (12X30X3)	1	
6	07130-0512A	BOLT	2	
7	07130-0630A	BOLT	3	
8	09420-04008	KEY	1	



FIG.310A

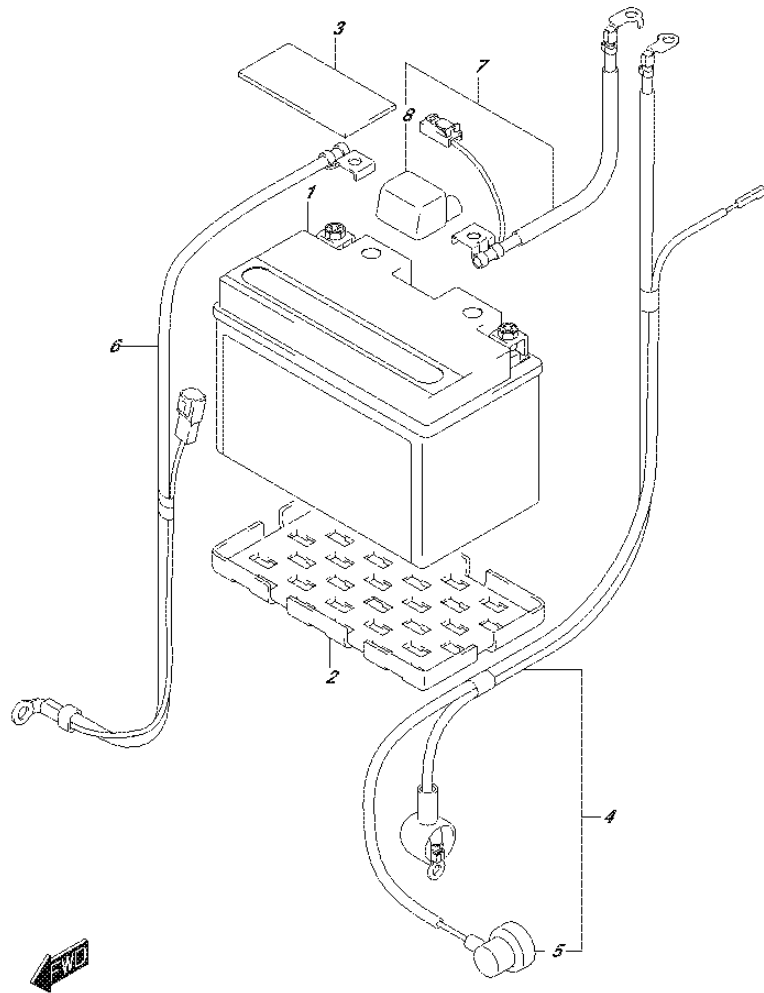
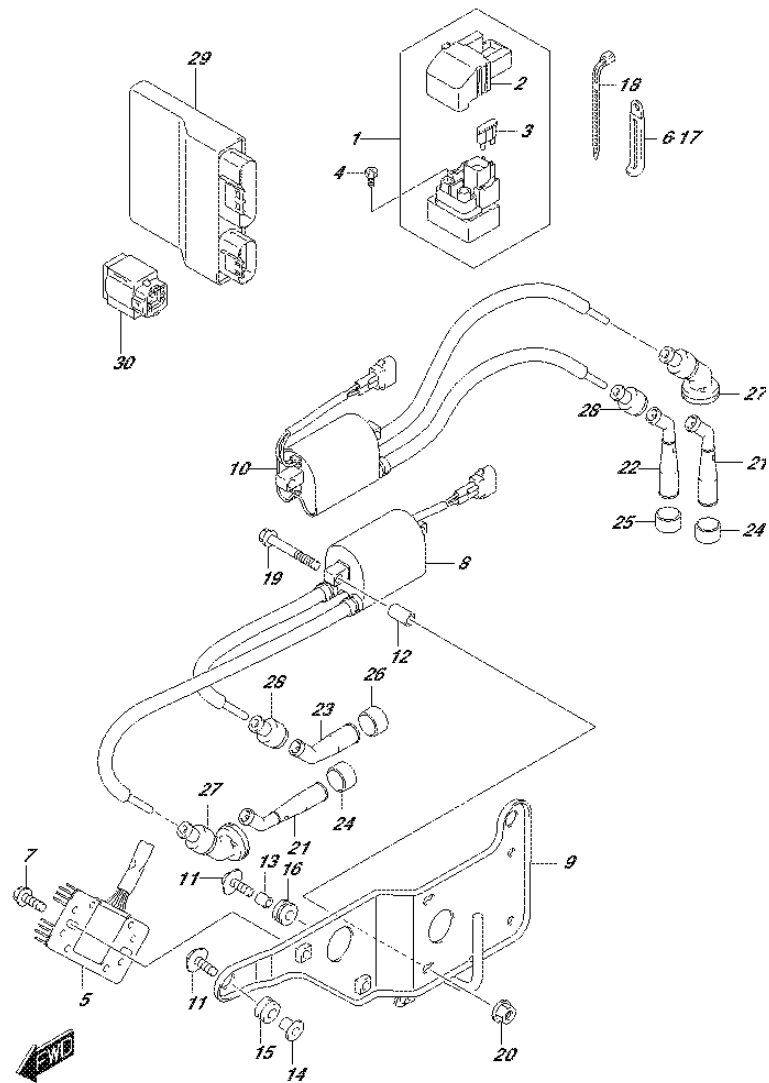


FIG.310A (1-C-15) BATTERY

REF NO.	PART NO.	DESCRIPTION	Q'TY	REMARKS
1	33610-14G21	BATTERY ASSY (FT12A-BS, 12V10AH)	1	
2	33652-16G00	PROTECTOR, BATTERY	1	
3	33652-28C00	PROTECTOR, BATTERY	1	
4	33810-18K00	WIRE, STARTER MOTOR LEAD	1	
5	36618-31J00	.CAP, OIL PRESSURE SWITCH	1	
6	33860-18K00	WIRE, BATTERY MINUS LEAD	1	
7	33820-18K10	WIRE, BATTERY PLUS LEAD	1	
8	33624-16G00	.CAP, BATTERY PLUS	1	

FIG.312A



SV650AL7_E14_312A
ELECTRICAL

FIG.312A (1-D-2) ELECTRICAL

REF NO.	PART NO.	DESCRIPTION	Q'TY	REMARKS
1	31800-06G00	RELAY ASSY, STARTING MOTOR	1	
2	31861-47E00	.COVER	1	
3	09481-30101	.FUSE (30A)	2	
4	09128-06013	SCREW (6X8)	2	
5	32800-47H00	RECTIFIER ASSY	1	
6	09404-06429	CLAMP (L:45)	1	
7	02162-0616A	SCREW	2	
8	33410-44H01	COIL ASSY, IGNITION FRONT	1	
9	33414-44H01	BRACKET, IGNITION COIL REAR	1	
10	33420-44H01	COIL ASSY, IGNITION REAR	1	
11	09116-06182	BOLT (6X20)	3	
12	09180-06195	SPACER (6.4X10X18)	4	
13	09180-06263	SPACER (6.5X9X9)	1	
14	09180-06331	SPACER (6.2X8.4X10.9)	2	
15	09320-08501	CUSHION	2	
16	09320-09016	CUSHION	1	
17	09404-06433	CLAMP (L:80)	1	
18	09407-18402	CLAMP (L:165)	1	
19	01547-0640A	BOLT	4	
20	08316-1006A	NUT	4	
21	33510-17G00	CAP ASSY, SPARK PLUG (CENTER)	2	
22	33510-17G00	CAP ASSY, SPARK PLUG (SIDE)	1	
23	33510-20E00	CAP ASSY, SPARK PLUG (SIDE)	1	
24	33541-23E10	SEAL, SPARK PLUG CAP (CENTER)	2	
25	33541-23E10	SEAL, SPARK PLUG CAP (SIDE)	1	
26	33541-47D00	SEAL, SPARK PLUG CAP (SIDE)	1	
27	33542-17G01	SEAL, HIGH TENSION CORD CENTER	2	
28	33542-38B00	SEAL, HIGH TENSION CORD (SIDE)	2	
29	32920-18K30	CONTROL UNIT, FI	1	
30	33960-06G10	SENSOR ASSY, FUEL CUT	1	

SV650AL7_E14

FIG.330A

FIG.330A (1-D-3) SPEEDOMETER

REF NO.	PART NO.	DESCRIPTION	Q'TY	REMARKS
1	34120-18K30	SPEEDOMETER	1	
2	34150-04K00	UPPER CASE ASSY	1	
3	34124-04K00	.RUBBER, SWITCH RH	1	
4	34124-04K10	.RUBBER, SWITCH LH	1	
5	34111-04K00	LOWER CASE ASSY	1	
6	34183-10C00	SCREW	8	
7	09148-05052	NUT	2	
8	34189-08J00	CUSHION, SPEEDOMETER	3	
9	09160-04026	WASHER (4.5X16X1.2)	1	
10	03541-0416A	SCREW	1	

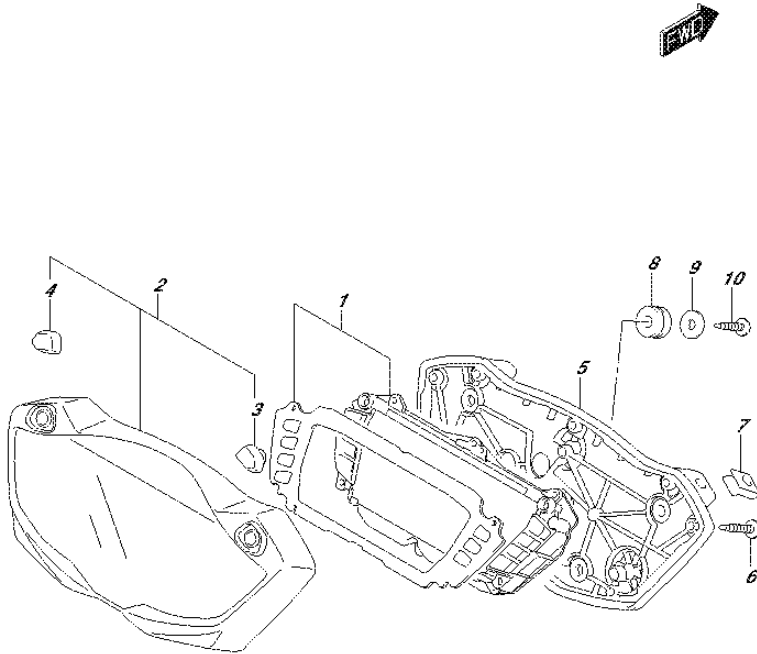


FIG.333A

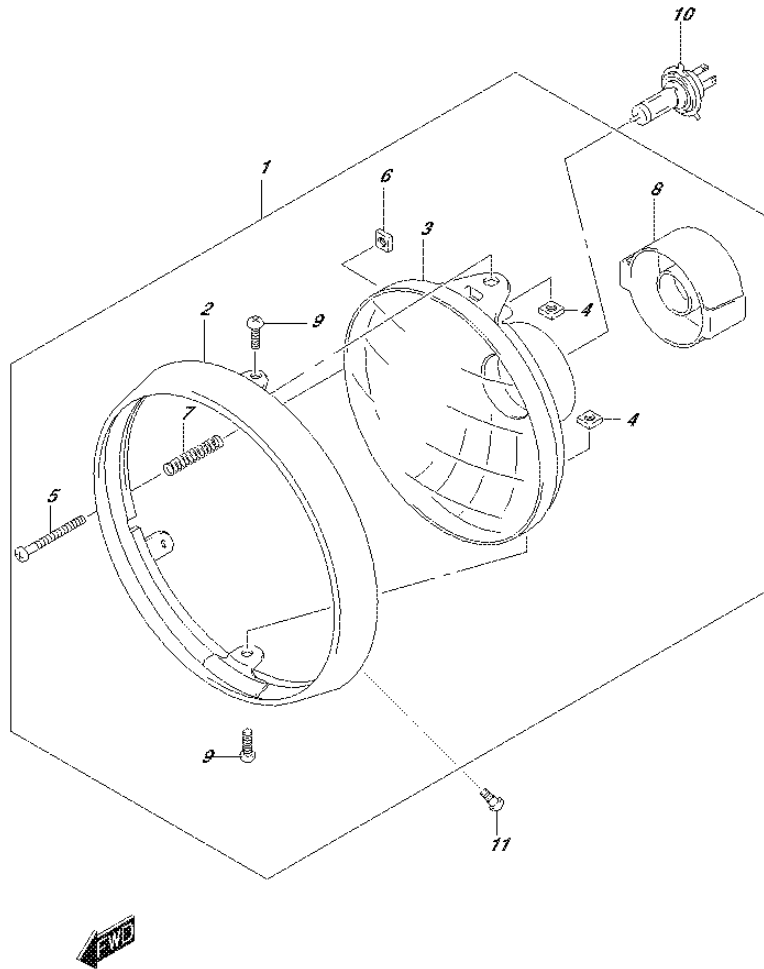


FIG.333A (1-D-4) HEADLAMP

REF NO.	PART NO.	DESCRIPTION	Q'TY	REMARKS
1	35100-19F00-999	HEADLAMP ASSY	1	
2	35111-19F00	.RIM	1	
3	35121-19F00	.LAMP UNIT	1	
4	35135-45900	.NUT	2	
5	35151-19F00	.SCREW, ADJUSTING	1	
6	35152-45600	.NUT	1	
7	35154-13F00	.SPRING	1	
8	35174-19F00	.COVER, SOCKET	1	
9	35181-19F00	.SCREW (5X16)	2	
10	09471-12185	BULB (12V,60/55W)	1	
11	09139-05038	SCREW (5X15.3)	2	

FIG.334A

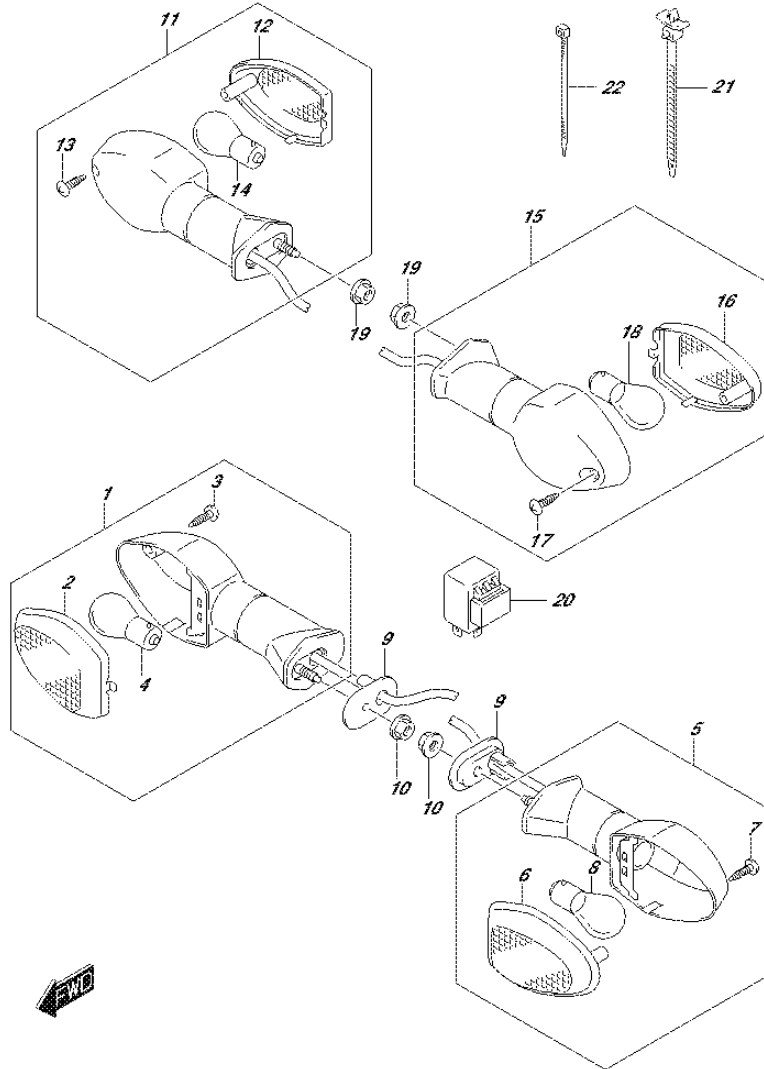


FIG.334A (1-D-5) TURNSIGNAL LAMP

REF NO.	PART NO.	DESCRIPTION	Q'TY	REMARKS
1	35601-08JB0	LAMP ASSY, FRONT TURNSIGNAL RH	1	
2	35612-08JA0	.LENS, RH	1	
3	03211-0414B	.SCREW	1	
4	09471-12186	.BULB (12V,21W)	1	
5	35602-08JB0	LAMP ASSY, FRONT TURNSIGNAL LH	1	
6	35632-08JA0	.LENS, LH	1	
7	03211-0414B	.SCREW	1	
8	09471-12186	.BULB (12V,21W)	1	
9	35629-31F40	PLATE, FRONT TURNSIGNAL	2	
10	08316-1005A	NUT	2	
11	35603-08JB0	LAMP ASSY, REAR TURNSIGNAL RH	1	
12	35632-08JA0	.LENS, RH	1	
13	03211-0414B	.SCREW	1	
14	09471-12186	.BULB (12V,21W)	1	
15	35604-08JB0	LAMP ASSY, REAR TURNSIGNAL LH	1	
16	35612-08JA0	.LENS, LH	1	
17	03211-0414B	.SCREW	1	
18	09471-12186	.BULB (12V,21W)	1	
19	08316-1005A	NUT	2	
20	38610-06F00	RELAY ASSY, TURNSIGNAL LAMP	1	
21	09407-14403	CLAMP (L:125)	1	
22	09407-18402	CLAMP (L:165)	1	

FIG.339A

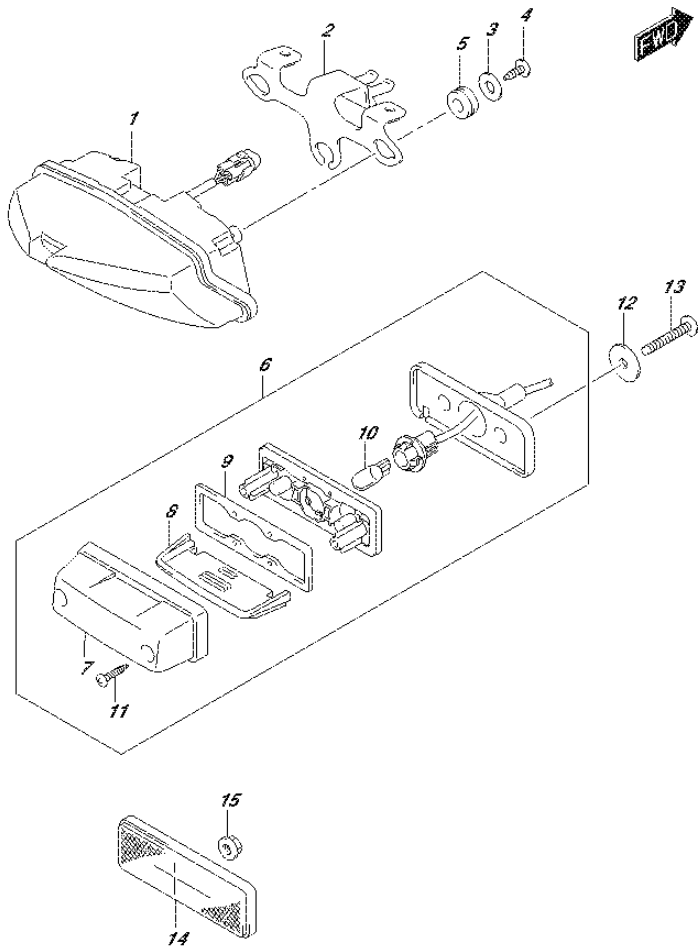


FIG.339A (1-D-6) REAR COMBINATION LAMP

REF NO.	PART NO.	DESCRIPTION	Q'TY	REMARKS
1	35710-14JB0	LAMP ASSY, REAR COMBINATION	1	
2	35726-18K00	BRACKET, REAR COMBINATION LAMP	1	
3	09160-05501	WASHER (5.5X20X1.2)	3	
4	03541-0516A	SCREW	3	
5	09320-10049	CUSHION	3	
6	35910-16G11	LAMP ASSY, LICENSE	1	
7	35917-16G00	.COVER	1	
8	35912-16G01	.LENS	1	
9	35913-16G00	.GASKET	1	
10	09471-12216	.BULB (12V5W)	1	
11	03211-0416A	.SCREW	2	
12	09160-05501	WASHER (5.5X20X1.2)	2	
13	03541-0516A	SCREW	2	
14	35970-07F01	REFLECTOR ASSY, REAR	1	
15	08316-1005A	NUT	1	

FIG.350A

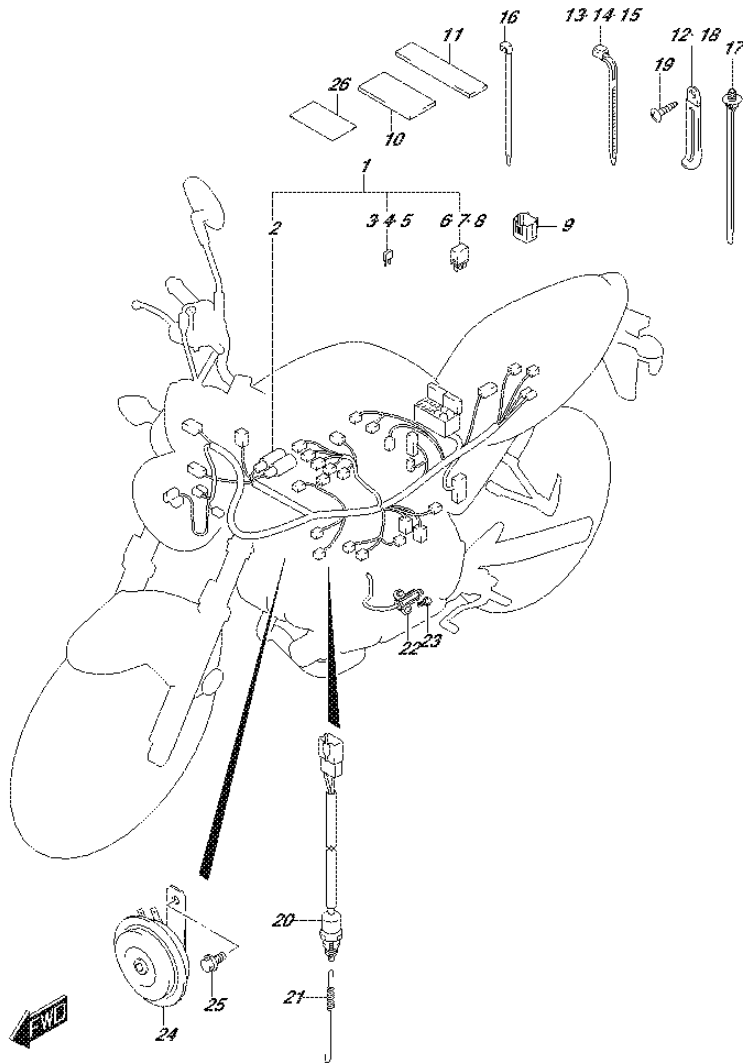


FIG.350A (1-D-7) WIRING HARNESS

REF NO.	PART NO.	DESCRIPTION	Q'TY	REMARKS
1	36610-18KA0	HARNESS, WIRING	1	
2	36618-35F00	.COVER, SPEEDOMETER COUPLER	1	
3	09481-10501	.FUSE (10A)	3	
4	09481-15501	.FUSE (15A)	3	
5	09481-30501	.FUSE (30A)	1	
6	38860-76F01	.RELAY ASSY	1	FOR FUEL PUMP
7	38860-76F01	.RELAY ASSY	1	FOR FAN MOTOR
8	38860-76F01	.RELAY ASSY	1	FOR SIDE STAND
9	36654-06J00	CAP, TS	1	
10	36920-08D00	PROTECTOR (30X60X3)	3	
11	94474-22D00	PROTECTOR (30X70)	1	
12	09407-06429	CLAMP (L:45)	1	
13	09407-14403	CLAMP (L:125)	4	
14	09407-18402	CLAMP (L:165)	2	
15	09407-19401	CLAMP (L:190)	3	
16	09407-14407	CLAMP (L:145)	5	
17	09407-17403	CLAMP (L:170)	1	
18	09404-06433	CLAMP (L:80)	1	
19	03541-0412A	SCREW	1	
20	37740-44H01	SWITCH ASSY, STOP LAMP	1	
21	09443-06016	SPRING	1	
22	37840-25D00	SWITCH ASSY, SIDE STAND	1	
23	01550-0620A	BOLT	2	
24	38500-18K00	HORN ASSY	1	
25	01550-0812A	BOLT	1	
26	36611-16G00	PROTECTOR, WIRING HARNESS	1	

FIG.352A

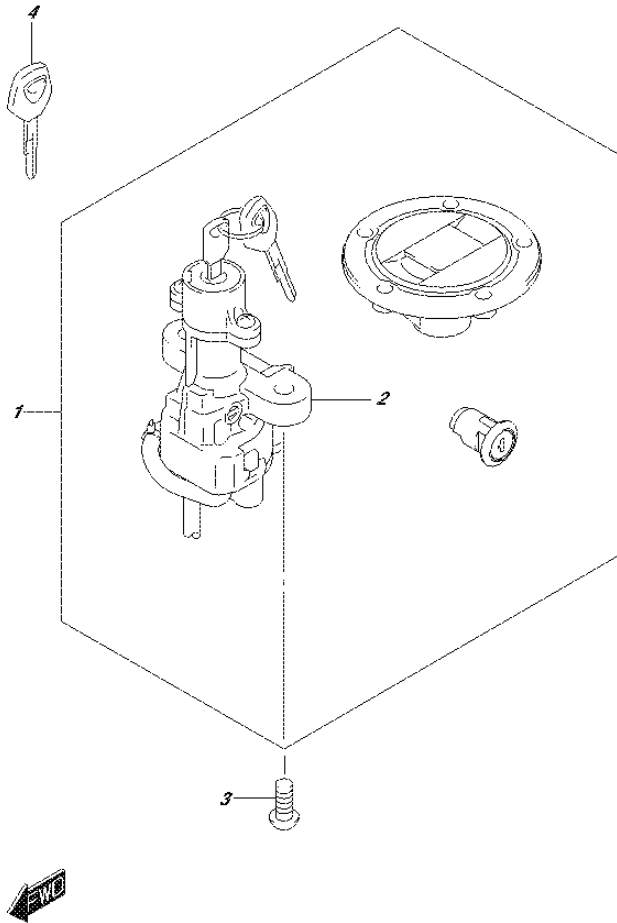


FIG.352A (1-D-8) LOCK SET

REF NO.	PART NO.	DESCRIPTION	Q'TY	REMARKS
1	37000-17861	LOCK SET	1	
2	37100-16G41	.LOCK ASSY, STEERING	1	
3	09139-08016	BOLT (8X20)	2	
4	37146-33E00	KEY, BLANK	1	OPT

FIG.355A

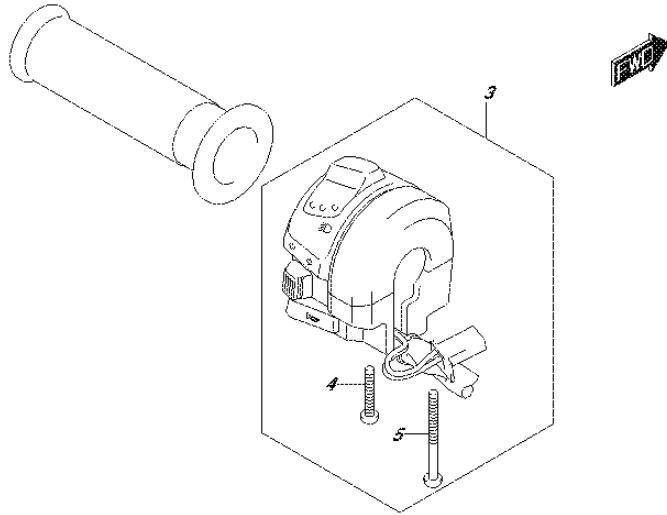


FIG.355A (1-D-9) HANDLE SWITCH

REF NO.	PART NO.	DESCRIPTION	Q'TY	REMARKS
1	37200-18K00	SWITCH ASSY, HANDLE RH	1	
2	02112-0530B	.SCREW	2	
3	37400-18K00	SWITCH ASSY, HANDLE LH	1	
4	02112-0525B	.SCREW	1	
5	02112-0545B	.SCREW	1	

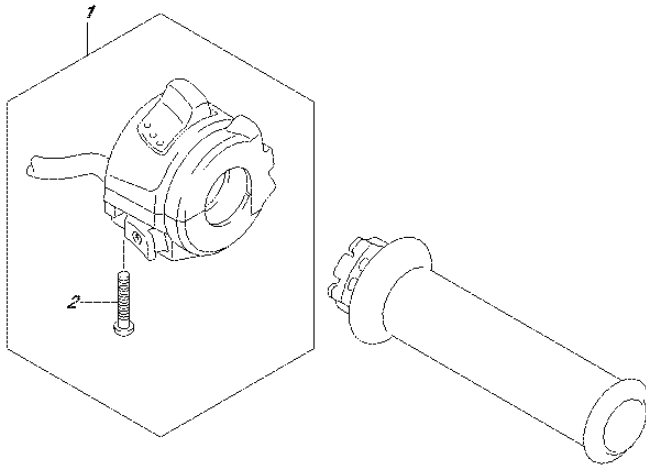


FIG.401A

FIG.401A (1-D-10) FRAME

REF NO.	PART NO.	DESCRIPTION	Q'TY	REMARKS
1	41100-18K00-YAP	FRAME (BLACK)	1	
2	41942-44H00	SPACER, HEAD MOUNT	1	

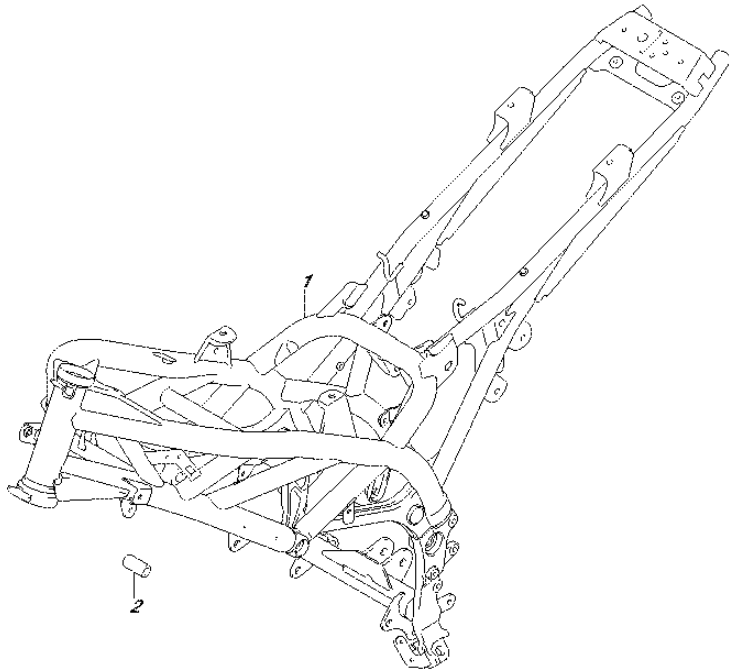


FIG.405A

FIG.405A (1-D-11) BATTERY HOLDER

REF NO.	PART NO.	DESCRIPTION	Q'TY	REMARKS
1	47430-18K00	HOLDER, BATTERY	1	
2	53145-40A00	.CUSHION, BATTERY HOLDER NO.1	1	
3	94478-14J00	.CUSHION, BATTERY HOLDER NO.2	2	
4	47432-18K00	LID, BATTERY HOLDER	1	
5	47433-18K00	COVER, BATTERY HOLDER	1	
6	94479-35F00	CLIP, BATTERY HOLDER	1	
7	09113-06010	BOLT (6X16)	2	
8	03541-0516A	SCREW	3	

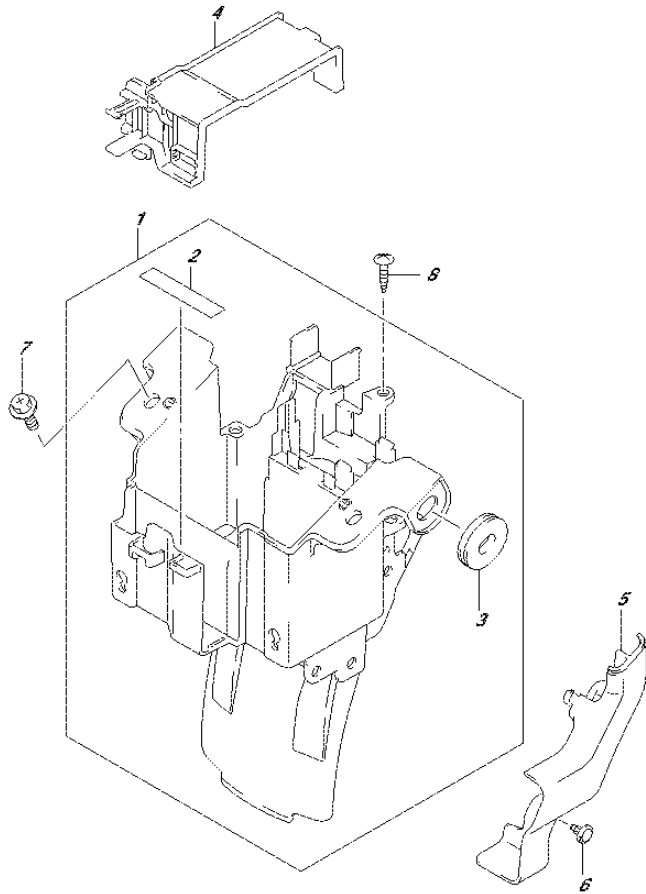


FIG.407A

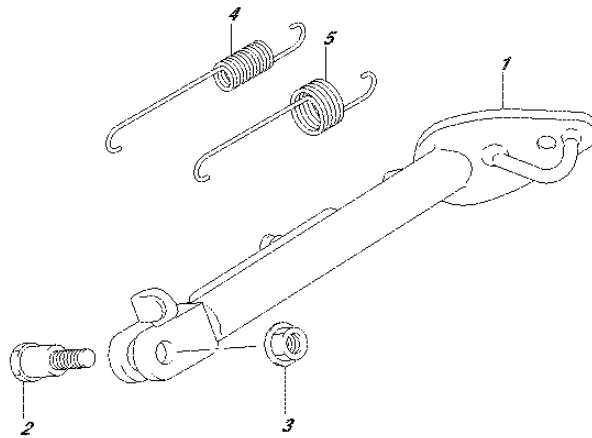
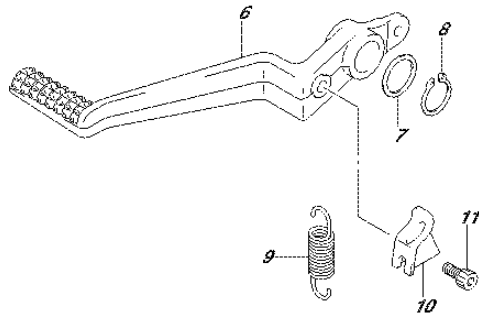


FIG.407A (1-D-12) STAND

REF NO.	PART NO.	DESCRIPTION	Q'TY	REMARKS
1	42310-18K00	STAND, PROP	1	
2	09111-10059	BOLT (10X21)	1	
3	08319-3110A	NUT	1	
4	09443-15046	SPRING	1	
5	09443-22017	SPRING	1	
6	43111-44G10	PEDAL, BRAKE	1	
7	09160-18022	WASHER (18X24X1)	1	
8	08331-3118A	CIRCLIP	1	
9	09443-11030	SPRING	1	
10	43561-44G00	BRACKET, SPRING	1	
11	07130-0610B	BOLT	1	

FIG.415A

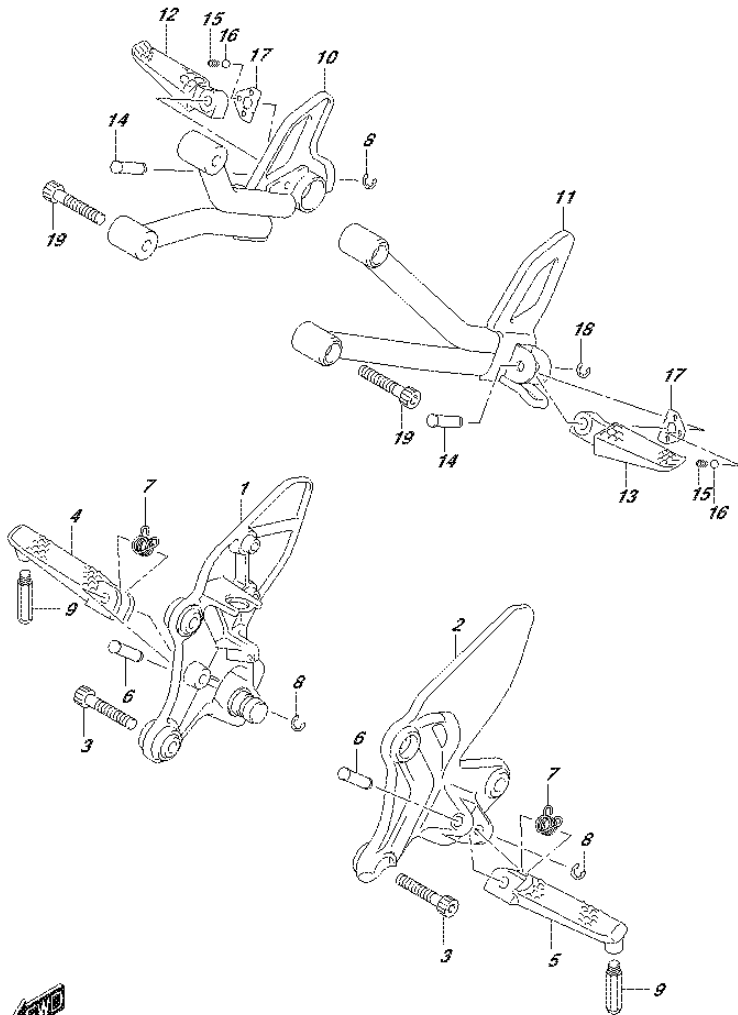


FIG.415A (1-D-13) FOOTREST

REF NO.	PART NO.	DESCRIPTION	Q'TY	REMARKS
1	43510-18K00	BRACKET, FRONT FOOTREST RH	1	
2	43521-18K00	BRACKET, FRONT FOOTREST LH	1	
3	09106-08186	BOLT (8X23)	4	
4	43516-18K00	BAR, FOOTREST RH	1	
5	43526-18K00	BAR, FOOTREST LH	1	
6	09208-08019	PIN	2	
7	09448-14046	SPRING	2	
8	08332-1106A	E RING	2	
9	43576-48B30	BOLT, BANK SENSOR	2	
10	43810-18K00	BRACKET, PILLION FOOTREST RH	1	
11	43820-18K00	BRACKET, PILLION FOOTREST LH	1	
12	43611-37H00	BAR, PILLION FOOTREST RH	1	
13	43621-37H00	BAR, PILLION FOOTREST LH	1	
14	09208-08017	PIN	2	
15	09440-05005	SPRING	2	
16	06111-07004	BALL	2	
17	43816-01H10	PLATE	2	
18	08332-1106A	E RING	2	
19	09106-08074	BOLT (8X40)	4	



FIG. 420A

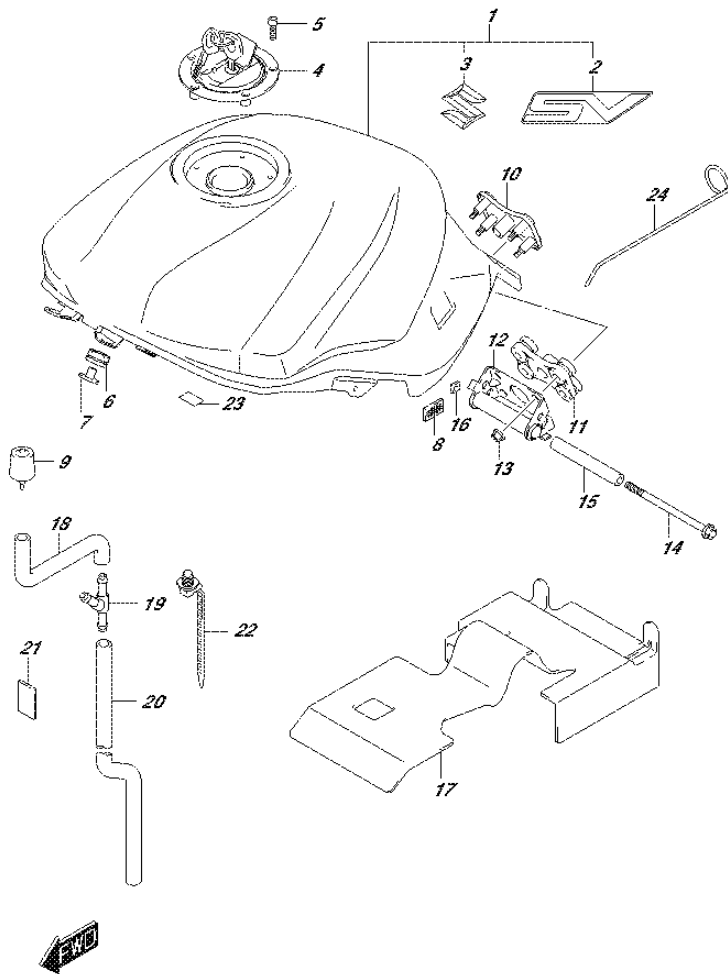


FIG.420A (1-D-14) FUEL TANK (YKV)

REF NO.	PART NO.	DESCRIPTION	Q'TY	REMARKS
1	44100-18K20-YKV	TANK ASSY, FUEL (BLACK)	1	
2	68111-18K00-CTY	.EMBLEM,"SV" (SILVER/BLACK)	1	
3	68111-47HA0	.EMBLEM, S	2	
4	44200-16870	CAP SET, FUEL TANK	1	
5	44244-11J00	BOLT, FUEL TANK FILLER CAP	3	
6	44511-18K00	CUSHION, FUEL TANK FRONT	2	
7	44512-04K00	SPACER, FUEL TANK FRONT	2	
8	44572-13G00	FASTENER, SIDE	2	
9	44542-29G00	CUSHION, FUEL TANK SIDE	2	
10	44570-16G00	BRACKET, REAR UPPER	1	
11	44542-16G00	CUSHION, FUEL TANK REAR	1	
12	44530-44H00	BRACKET, FUEL TANK REAR	1	
13	08319-3106A	NUT	4	
14	09103-06060	BOLT (6X100)	1	
15	44561-35F00	SPACER, FUEL TANK REAR	1	
16	08318-1106A	NUT	1	
17	44191-18K00	SHEET, HEAT SHIELD RUBBER	1	
18	44423-18K00	HOSE, FUEL TANK DRAIN NO.1	1	
19	09367-08010	3 WAY	1	
20	44423-18K10	HOSE, FUEL TANK DRAIN NO.2	1	
21	44427-18K10	SHIELD, DRAIN HOSE HEAT	1	
22	09407-17403	CLAMP (L:170)	2	
23	36611-16G00	PROTECTOR, WIRING HARNESS	1	
24	44560-23H00	STAY, FUEL TANK	1	OPT

FIG.420B

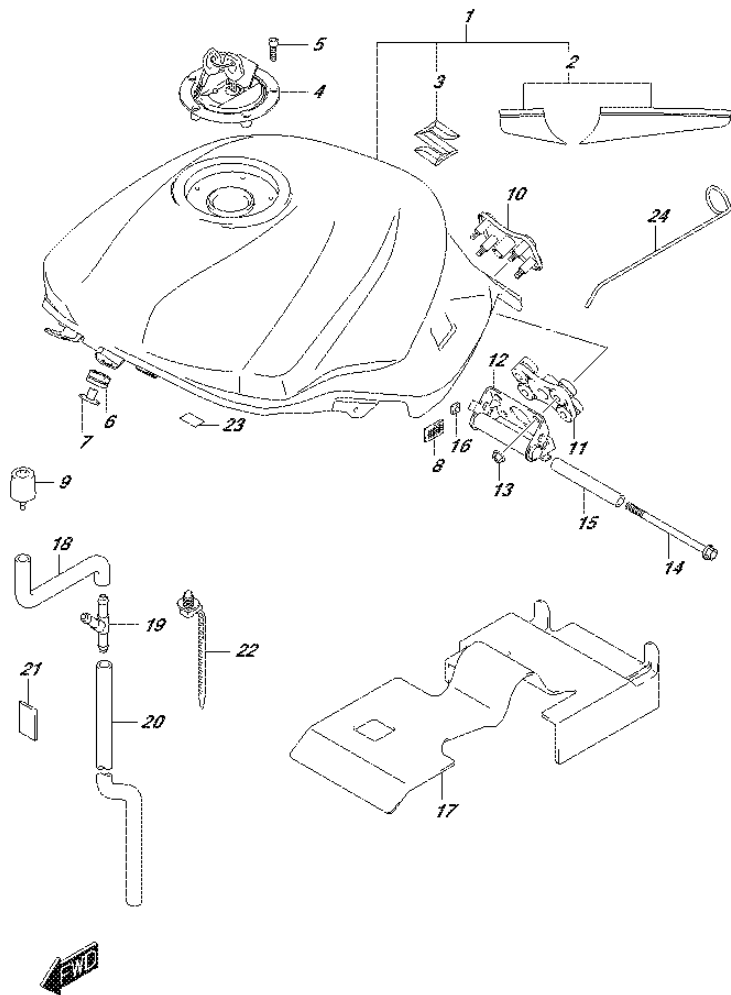


FIG.420B (1-D-15) FUEL TANK (YSF,YVZ,YWW)

REF NO.	PART NO.	DESCRIPTION	Q'TY	REMARKS
1-1	44100-18K50-YSF	TANK ASSY, FUEL (BLUE)	1	
1-2	44100-18K50-YVZ	TANK ASSY, FUEL (RED)	1	
1-3	44100-18K50-YWW	TANK ASSY, FUEL (WHITE)	1	
2-1	68110-18K00-AGQ	.TAPE SET, FUEL TANK (BLUE/WHITE)	1	FOR YSF
2-2	68110-18K00-AGS	.TAPE SET, FUEL TANK (RED/WHITE)	1	FOR YVZ
2-3	68110-18K00-AJP	.TAPE SET, FUEL TANK (BLUE/WHITE)	1	FOR YWW
3	68111-47HA0	.EMBLEM, S	2	
4	44200-16870	CAP SET, FUEL TANK	1	
5	44244-11J00	BOLT, FUEL TANK FILLER CAP	3	
6	44511-18K00	CUSHION, FUEL TANK FRONT	2	
7	44512-04K00	SPACER, FUEL TANK FRONT	2	
8	44572-13G00	FASTENER, SIDE	2	
9	44542-29G00	CUSHION, FUEL TANK SIDE	2	
10	44570-16G00	BRACKET, REAR UPPER	1	
11	44542-16G00	CUSHION, FUEL TANK REAR	1	
12	44530-44H00	BRACKET, FUEL TANK REAR	1	
13	08319-3106A	NUT	4	
14	09103-06060	BOLT (6X100)	1	
15	44561-35F00	SPACER, FUEL TANK REAR	1	
16	08318-1106A	NUT	1	
17	44191-18K00	SHEET, HEAT SHIELD RUBBER	1	
18	44423-18K00	HOSE, FUEL TANK DRAIN NO.1	1	
19	09367-08010	3 WAY	1	
20	44423-18K10	HOSE, FUEL TANK DRAIN NO.2	1	
21	44427-18K10	SHIELD, DRAIN HOSE HEAT	1	
22	09407-17403	CLAMP (L:170)	2	
23	36611-16G00	PROTECTOR, WIRING HARNESS	1	
24	44560-23H00	STAY, FUEL TANK	1	OPT

FIG.422A

FIG.422A (1-E-2) FUEL TANK FRONT COVER

REF NO.	PART NO.	DESCRIPTION	Q'TY	REMARKS
1	44271-18K00	COVER, FUEL TANK FRONT	1	
2	44176-31J00	CUSHION, TANK COVER FRONT NO.1	2	
3	44277-18K00	CUSHION, TANK COVER FRONT NO.2	2	
4	44278-18K00	CUSHION, TANK COVER FRONT NO.3	2	
5	44279-18K00	CUSHION, TANK COVER FRONT NO.4	1	
6	09409-07333	CLIP	2	
7	09139-06192	SCREW (6X25)	2	
8	09160-06109	WASHER (6.5X18X1.6)	2	

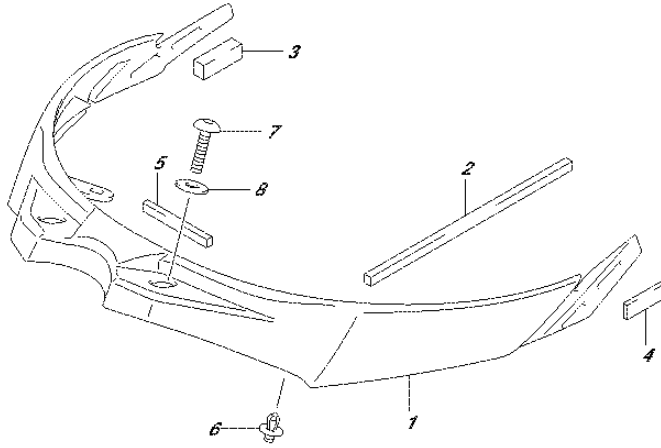


FIG.427A

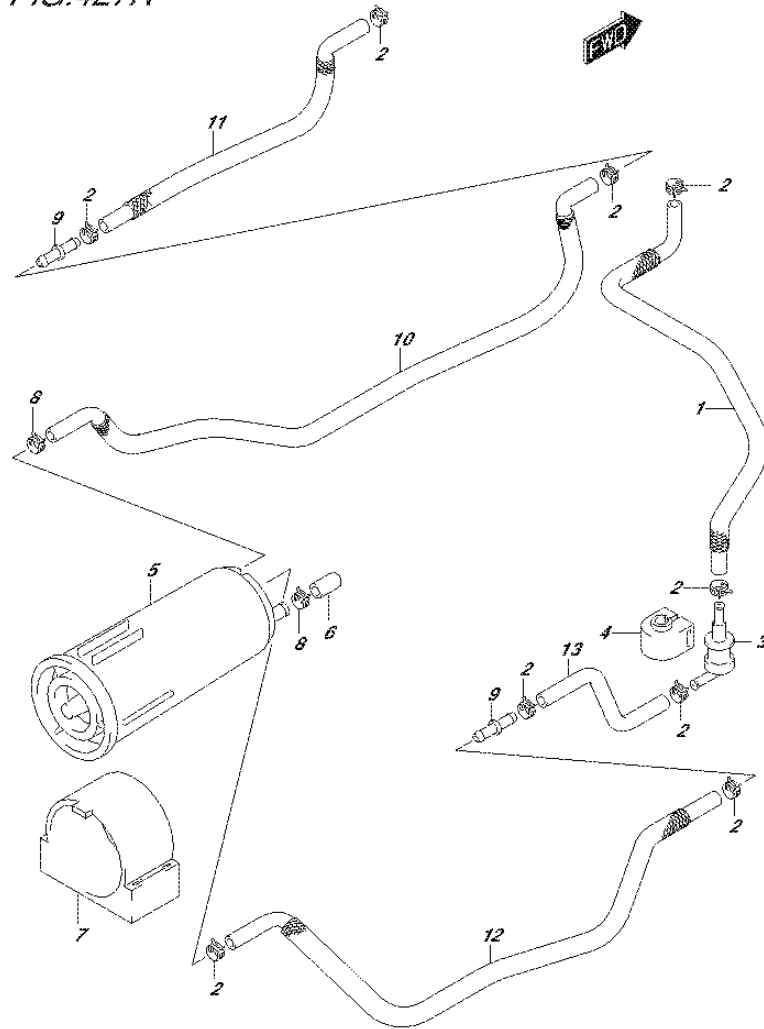


FIG.427A (1-E-3) EVAP SYSTEM

REF NO.	PART NO.	DESCRIPTION	Q'TY	REMARKS
1	44434-18K00	HOSE, TANK & BREATHER VALVE	1	
2	09401-11413	CLIP	9	
3	44240-17C00	VALVE, BREATHER	1	
4	44894-04K00	CUSHION	1	
5	17210-15H10	CANISTER	1	
6	09251-07003	CAP (OD:11.5)	1	
7	44883-06G00	CUSHION, CANISTER	1	
8	09401-12404	CLIP	2	
9	09367-06009	JOINT	2	
10	18563-18K00	HOSE, PURGE NO.1	1	
11	18564-18K00	HOSE, PURGE NO.2	1	
12	18562-18K00	HOSE, SURGE NO.2	1	
13	18561-18K00	HOSE, SURGE NO.1	1	

FIG.443A

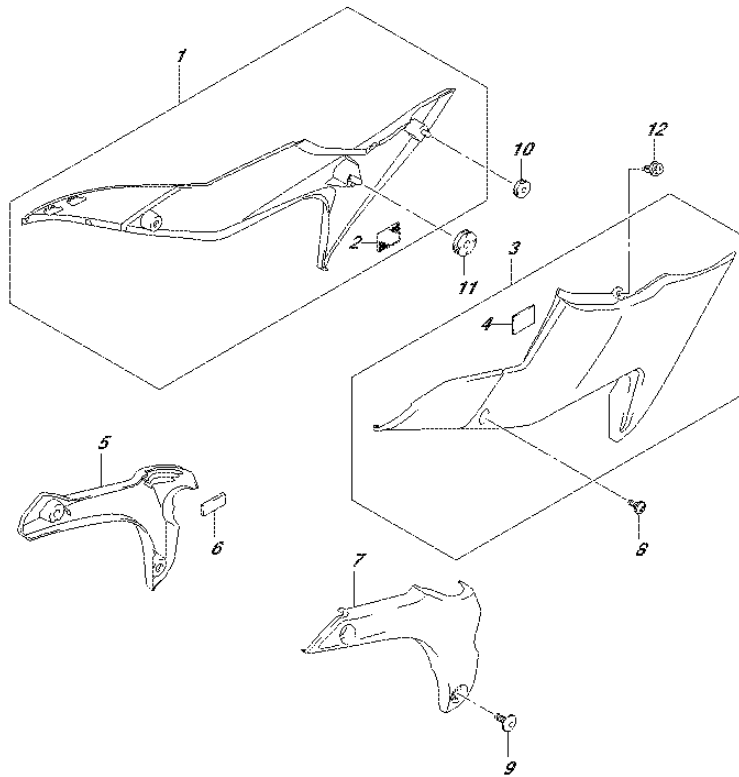


FIG.443A (1-E-4) FRAME CENTER COVER

REF NO.	PART NO.	DESCRIPTION	Q'TY	REMARKS
1	47110-18K00	COVER, FRAME FRONT RH	1	
2	44572-13G00	.FASTENER	1	
	51827-01A00	.CUSHION	1	CUT AS REQUIRED
3	47210-18K00	COVER, FRAME LH	1	
4	44572-13G00	.FASTENER	1	
	51827-01A00	.CUSHION	1	CUT AS REQUIRED
5	47611-18K00-YKV	COVER, FRAME LOWER RH (BLACK)	1	
6	47613-44H00	CUSHION, FRAME COVER LWR NO.2	2	
7	47711-18K00-YKV	COVER, FRAME LOWER LH (BLACK)	1	
8	09139-05074	BOLT (5X13)	2	
9	09139-06169	SCREW (6X16)	4	
10	09320-06504	CUSHION	2	
11	09320-08028	CUSHION	2	
12	09409-06322	CLIP	2	



FIG.445A

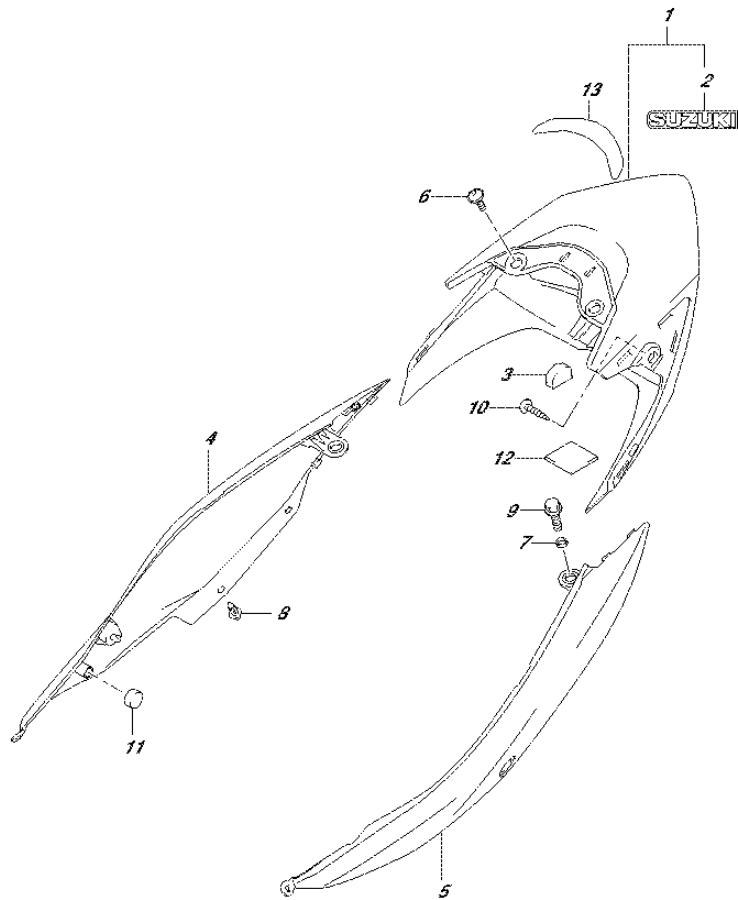


FIG.445A (1-E-5) FRAME COVER (YKV)

REF NO.	PART NO.	DESCRIPTION	Q'TY	REMARKS
1	47310-18K00-YKV	COVER, FRAME REAR CTR (BLACK)	1	
2	68171-28H10-CTY	.EMBLEM, "SUZUKI" (SILVER/BLACK)	1	
3	47315-18K00	CUSHION, FRAME COVER CTR	1	
4	47410-18K00-YKV	COVER, FRAME REAR RH (BLACK)	1	
5	47510-18K00-YKV	COVER, FRAME REAR LH (BLACK)	1	
6	09139-05074	BOLT (5X13)	2	
7	09180-08052	SPACER (8.5X12X2.5)	2	
8	09409-06314-5PK	CLIP (BLACK)	4	
9	01550-0812A	BOLT	2	
10	03541-0510A	SCREW	2	
11	09329-14002	CUSHION	2	
12	33652-20C00	CUSHION	2	
13	47312-18K00	TAPE, FRAME COVER REAR CENTER	1	



FIG.445B

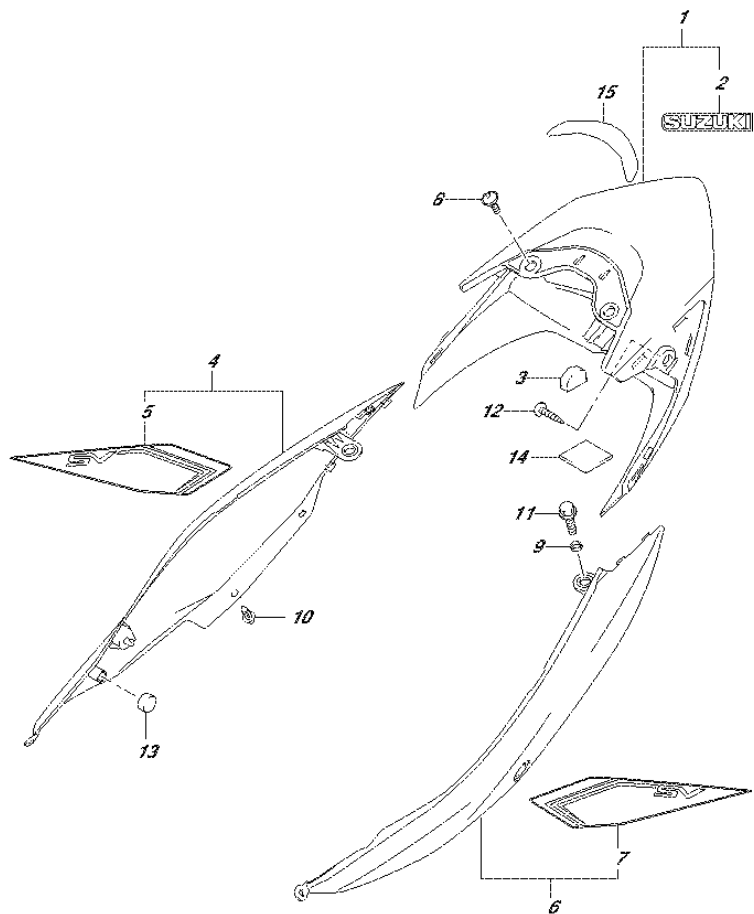


FIG.445B (1-E-6) FRAME COVER (YSF,YVZ,YWW)

REF NO.	PART NO.	DESCRIPTION	Q'TY	REMARKS
1	47310-18K00-YKV	COVER, FRAME REAR CTR (BLACK)	1	
2	68171-28H10-CTY	.EMBLEM, "SUZUKI" (SILVER/BLACK)	1	
3	47315-18K00	CUSHION, FRAME COVER CTR	1	
4-1	47410-18K10-YKV	COVER, FRAME REAR RH (BLACK)	1	FOR YSF
4-2	47410-18K10-4TX	COVER, FRAME REAR RH (BLACK)	1	FOR YVZ
4-3	47410-18K10-4UX	COVER, FRAME REAR RH (BLACK)	1	FOR YWW
5-1	68135-18K00-BBU	.TAPE SET, FRAME COVER RH	1	FOR YKV
5-2	68135-18K00-BCB	.TAPE SET, FRAME COVER RH	1	FOR 4TX
5-3	68135-18K00-BCC	.TAPE SET, FRAME COVER RH	1	FOR 4UX
6-1	47510-18K10-YKV	COVER, FRAME REAR LH (BLACK)	1	FOR YSF
6-2	47510-18K10-4TX	COVER, FRAME REAR LH (BLACK)	1	FOR YVZ
6-3	47510-18K10-4UX	COVER, FRAME REAR LH (BLACK)	1	FOR YWW
7-1	68145-18K00-BBU	.TAPE SET, FRAME COVER LH	1	FOR YKV
7-2	68145-18K00-BCB	.TAPE SET, FRAME COVER LH	1	FOR 4TX
7-3	68145-18K00-BCC	.TAPE SET, FRAME COVER LH	1	FOR 4UX
8	09139-05074	BOLT (5X13)	2	
9	09180-08052	SPACER (8.5X12X2.5)	2	
10	09409-06314-5PK	CLIP (BLACK)	4	
11	01550-0812A	BOLT	2	
12	03541-0510A	SCREW	2	
13	09329-14002	CUSHION	2	
14	33652-20C00	CUSHION	2	
15	47312-18K00	TAPE, FRAME COVER REAR CENTER	1	



FIG.449A

FIG.449A (1-E-7) FRAME HEAD COVER

REF NO.	PART NO.	DESCRIPTION	Q'TY	REMARKS
1	47351-18K00	COVER, FRAME HEAD RH	1	
2	47361-18K00	COVER, FRAME HEAD LH	1	
3	47543-44H00	COVER, FRAME BODY RR LH	1	
4	09139-05074	BOLT (5X13)	2	
5	09139-05074	BOLT (5X13)	2	
6	09409-08326	CLIP	2	

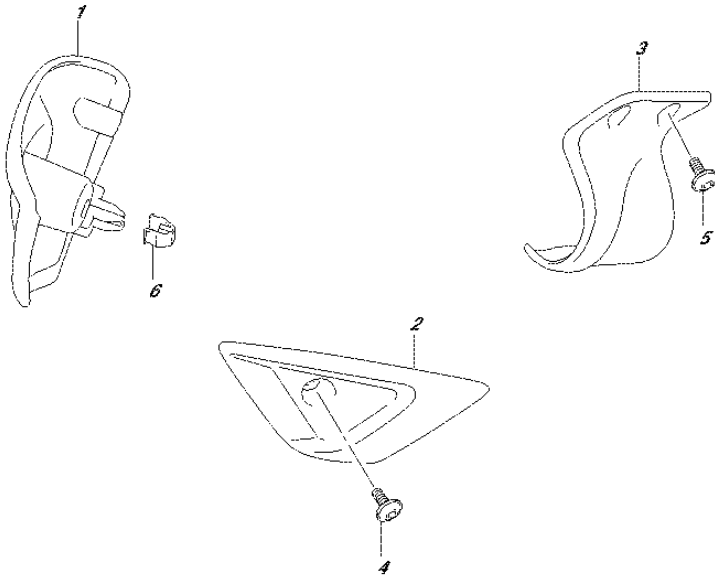


FIG.452A

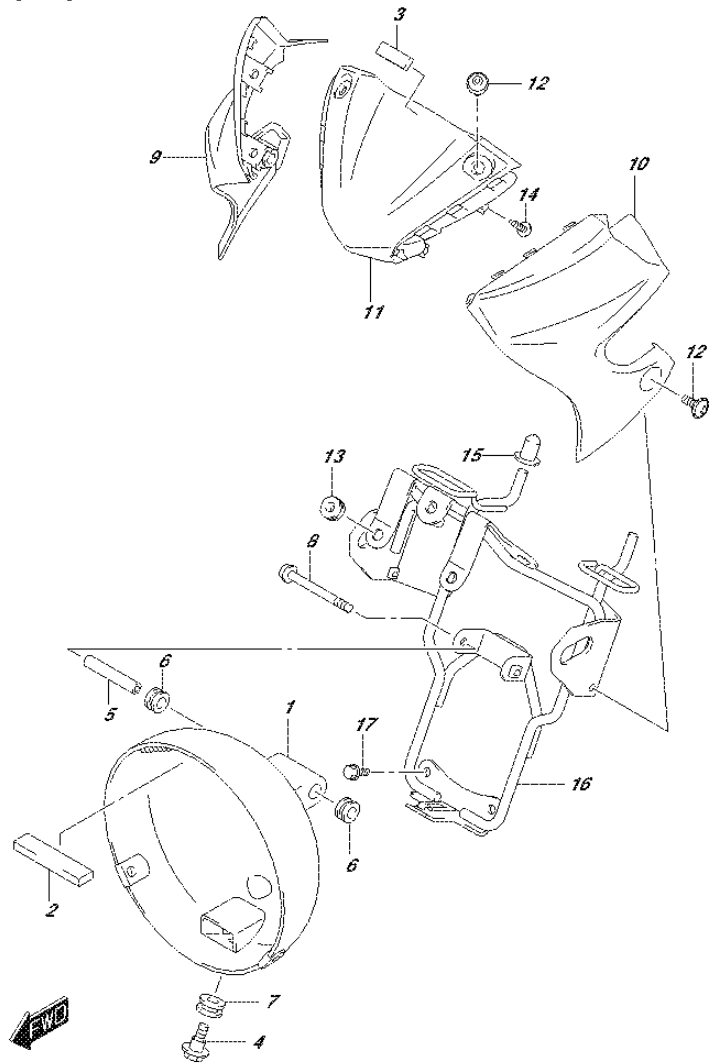


FIG.452A (1-E-8) HEADLAMP COVER

REF NO.	PART NO.	DESCRIPTION	Q'TY	REMARKS
1	51811-18K00	COVER, HEADLAMP	1	
2	51827-13G00	CUSHION, HEADLAMP COVER	1	
3	51827-18K00	CUSHION, METER COVER	1	
4	09139-06118	SCREW (6X22.5)	1	
5	09180-06368	SPACER	1	
6	09320-09016	CUSHION	2	
7	09320-10501	CUSHION	1	
8	07120-0665B	BOLT	1	
9	51821-18K00-YKV	COVER, METER RH (BLACK)	1	
10	51831-18K00-YKV	COVER, METER LH (BLACK)	1	
11	51841-18K00	COVER, METER CENTER	1	
12	09139-05074	BOLT (5X13)	4	
13	09320-06504	CUSHION	2	
14	03541-0512A	SCREW	4	
15	51831-21D00	CUSHION, HEADLAMP BRACE	2	
16	51850-18K00	BRACE, HEADLAMP	1	
17	01547-0612A	BOLT	2	

FIG.460A

FIG.460A (1-E-9) FRONT FENDER

REF NO.	PART NO.	DESCRIPTION	Q'TY	REMARKS
1	53110-18K00-BBT	FENDER, FRONT (GRAY/BLACK)	1	
2	68151-44G10-BBT	EMBLEM,"ABS" (GRAY/BLACK)	1	
3	09111-06092	BOLT (6X19)	2	
4	09139-06190	BOLT (6X20)	2	
5	09320-09016	CUSHION	4	

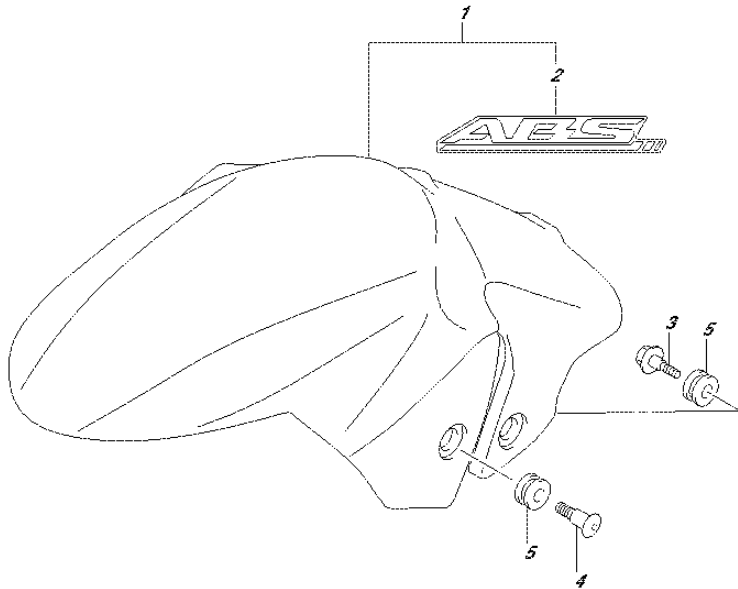


FIG.462A

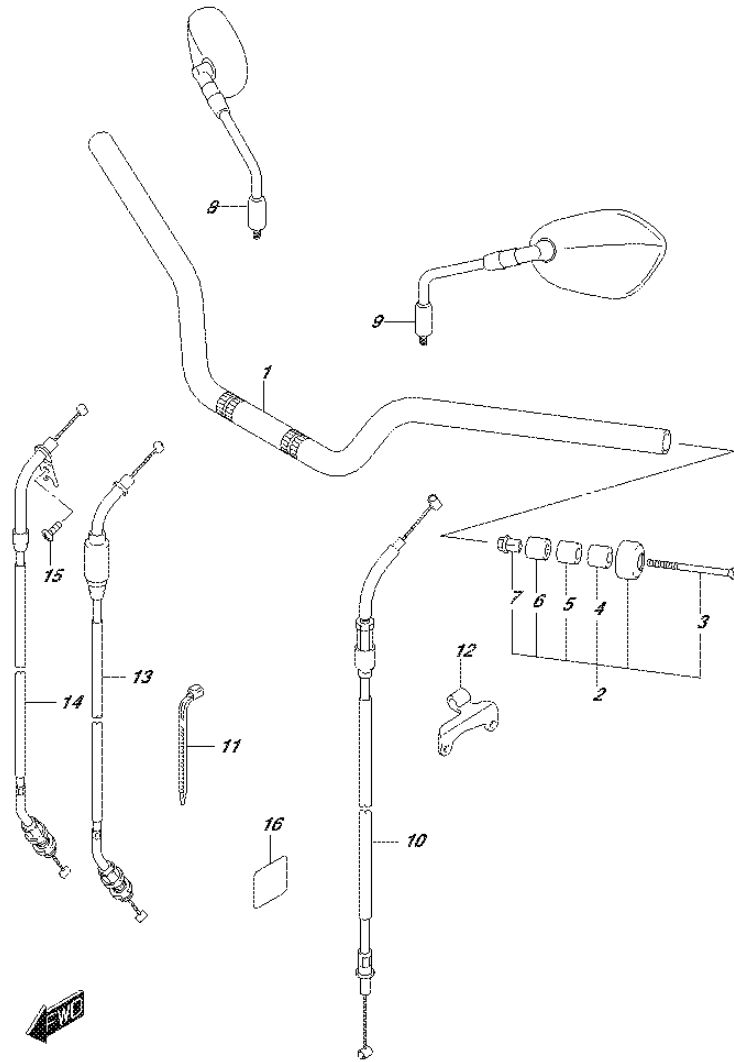


FIG.462A (1-E-10) HANDLEBAR

REF NO.	PART NO.	DESCRIPTION	Q'TY	REMARKS
1	56111-44H12-YAP	HANDLEBAR (BLACK)	1	
2	56200-41830	BALANCER SET, HANDLEBAR	2	
3	02122-0670B	.SCREW	2	
4	56272-42F00	.EXPANDER, OUTER	2	
5	09180-06161	.SPACER (6.5X16X15)	2	
6	56272-10G00	.EXPANDER, INNER	2	
7	56273-10G10	.NUT	2	
8	56500-08J11	MIRROR ASSY, REAR VIEW RH	1	
9	56600-08J11	MIRROR ASSY, REAR VIEW LH	1	
10	58200-44H00	CABLE ASSY, CLUTCH	1	
11	09407-18402	CLAMP (L:165)	1	
12	58634-44H00	STOPPER, CLUTCH CABLE	1	
13	58300-44H00	CABLE ASSY, THROTTLE NO.1	1	
14	58300-44H10	CABLE ASSY, THROTTLE NO.2	1	
15	09125-05042	SCREW (5X10)	1	
16	87873-56K50	TAPE, HEAD PIPE	1	

FIG.467A

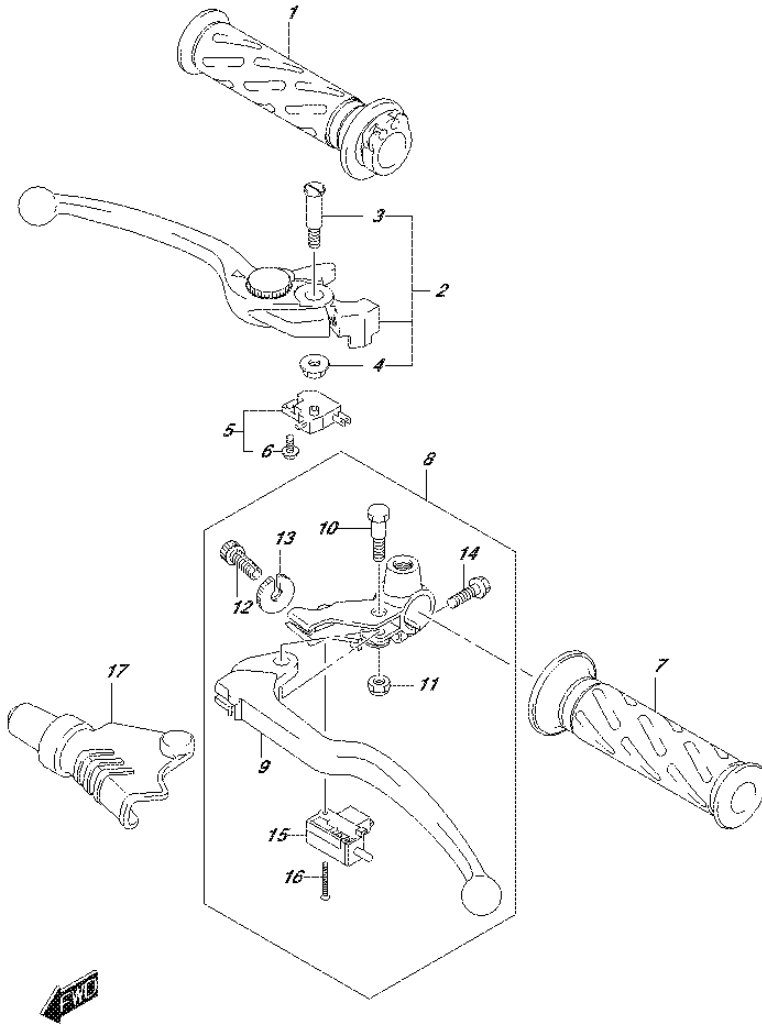


FIG.467A (1-E-11) HANDLE LEVER

REF NO.	PART NO.	DESCRIPTION	Q'TY	REMARKS
1	57110-29G02-291	GRIP, THROTTLE (BLACK)	1	
2	57300-44G12	LEVER ASSY, BRAKE	1	
3	57431-17H02	.BOLT, PIVOT	1	
4	08319-2106A	.NUT	1	
5	57460-14J01	SWITCH ASSY, STOP	1	
6	57465-17C00	.SCREW	1	
7	57211-22D02-291	GRIP LH (BLACK)	1	
8	57500-25D01	LEVER ASSY, CLUTCH	1	
9	57621-40F00	.LEVER ASSY, CLUTCH	1	
10	57431-45C01	.BOLT, PIVOT	1	
11	08319-2106A	.NUT	1	
12	57441-45C00	.ADJUSTER WIRE	1	
13	57442-45C00	.NUT, LOCK	1	
14	01547-0620B	.BOLT	1	
15	57560-05A00	.SWITCH, CLUTCH	1	
16	57562-41G01	.SCREW	1	
17	57661-33E00	COVER, CLUTCH LEVER	1	

FIG.474A

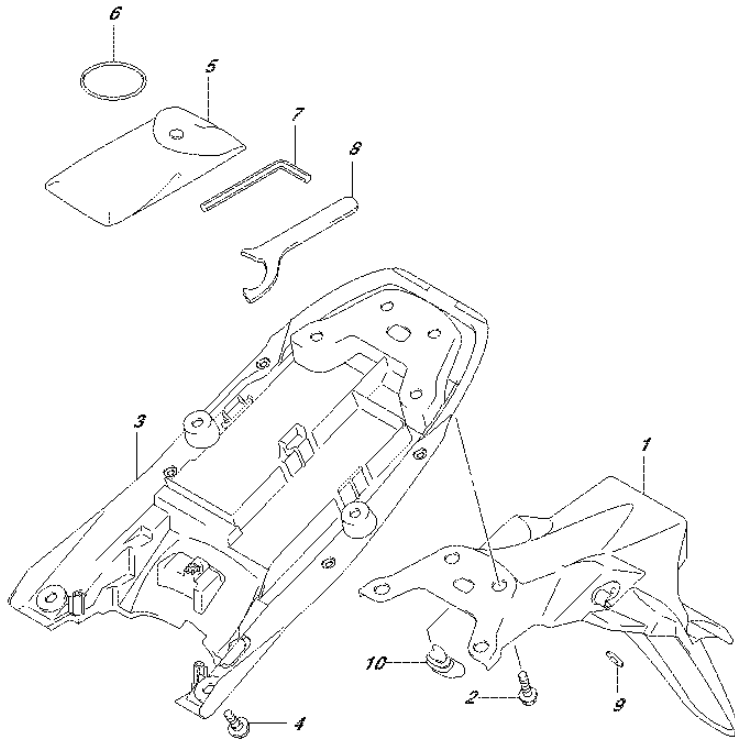


FIG.474A (1-E-12) REAR FENDER

REF NO.	PART NO.	DESCRIPTION	Q'TY	REMARKS
1	63112-18K00	FENDER, REAR REAR	1	
2	01550-0612A	BOLT	4	
3	63111-18K00	FENDER, REAR FRONT	1	
4	09111-06107	BOLT (6X12)	4	
5	09800-21058	TOOL ASSY	1	
6	09280-57003	O RING (D:3.5,ID:56.5)	1	
7	09816-00059	HEXAGON SPANNER, 5	1	
8	09822-00003	CLAMP, WRENCH	1	
9	09160-06077	WASHER (6.5X20X1.2)	2	
10	63118-18K00	CUSHION, REAR FENDER	1	



FIG.496A

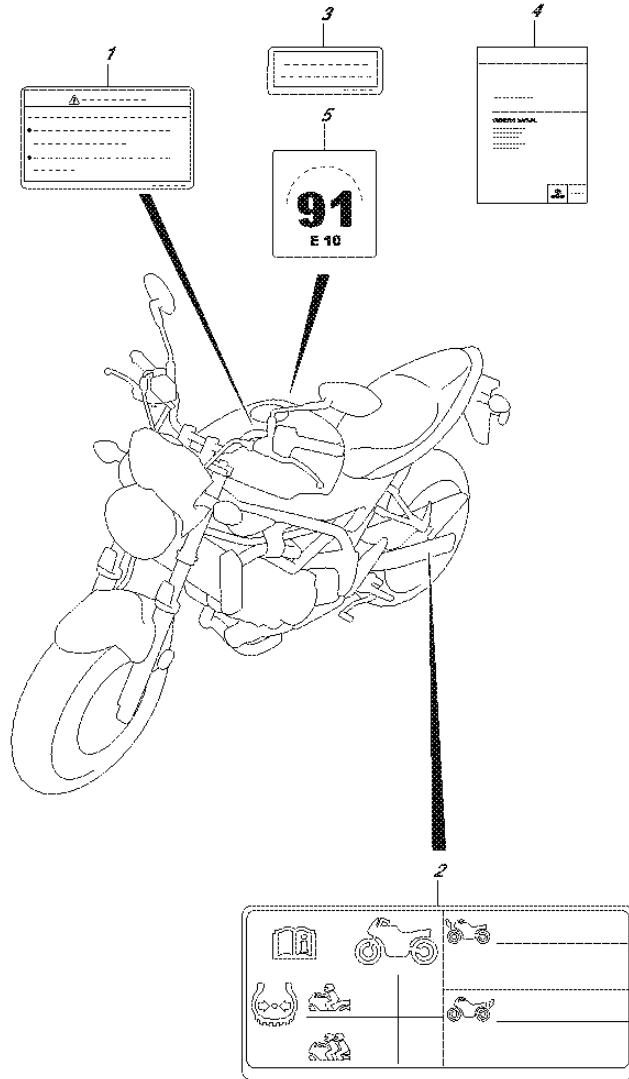


FIG.496A (1-E-13) LABEL

REF NO.	PART NO.	DESCRIPTION	Q'TY	REMARKS
1	68319-49JJ0	LABEL, WARNING (THAI)	1	
2	68332-18K00	LABEL, TIRE INFORMATION	1	
3	68318-15HJ0	LABEL, HELMET	1	
4	99011-18K50-069	MANUAL, OWNER'S (THAI)	1	
5	11959-31J00	LABEL, FUEL LIMITATION (E10)	1	

FIG.505A

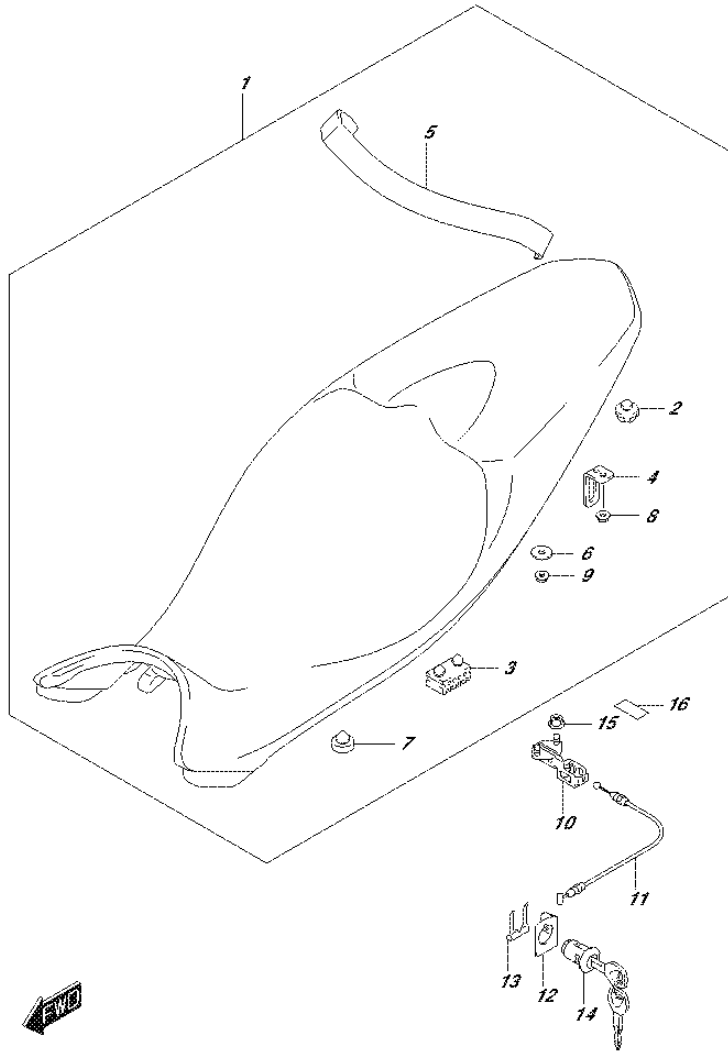


FIG.505A (1-E-14) SEAT

REF NO.	PART NO.	DESCRIPTION	Q'TY	REMARKS
1	45100-18K00-BBC	SEAT ASSY (BLACK)	1	
2	45148-20G90	.CUSHION, SEAT MOUNT REAR	2	
3	45149-31300	.CUSHION, SEAT MOUNT CENTER	2	
4	45212-18K00	.STRIKER, SEAT LOCK	1	
5	45380-18K00-P3H	.BAND, SEAT GRIP (BLACK)	1	
6	09160-06088	.WASHER (6.5X20X1.6)	2	
7	09321-10012	.CUSHION	4	
8	08316-1006A	.NUT	1	
9	08316-1006A	.NUT	2	
10	45220-04K20	BRACKET, SEAT SUPPORT	1	
11	45280-18K00	CABLE, SEAT LOCK	1	
12	45288-14F00	GUIDE, SEAT LOCK CABLE	1	
13	45289-11F00	PLATE, SEAT LOCK ASSY	1	
14	95700-14F00	LOCK ASSY, SEAT	1	
15	08316-1006A	NUT	2	
16	94432-19F00	TAPE, SEAT RAIL	2	

FIG.521A

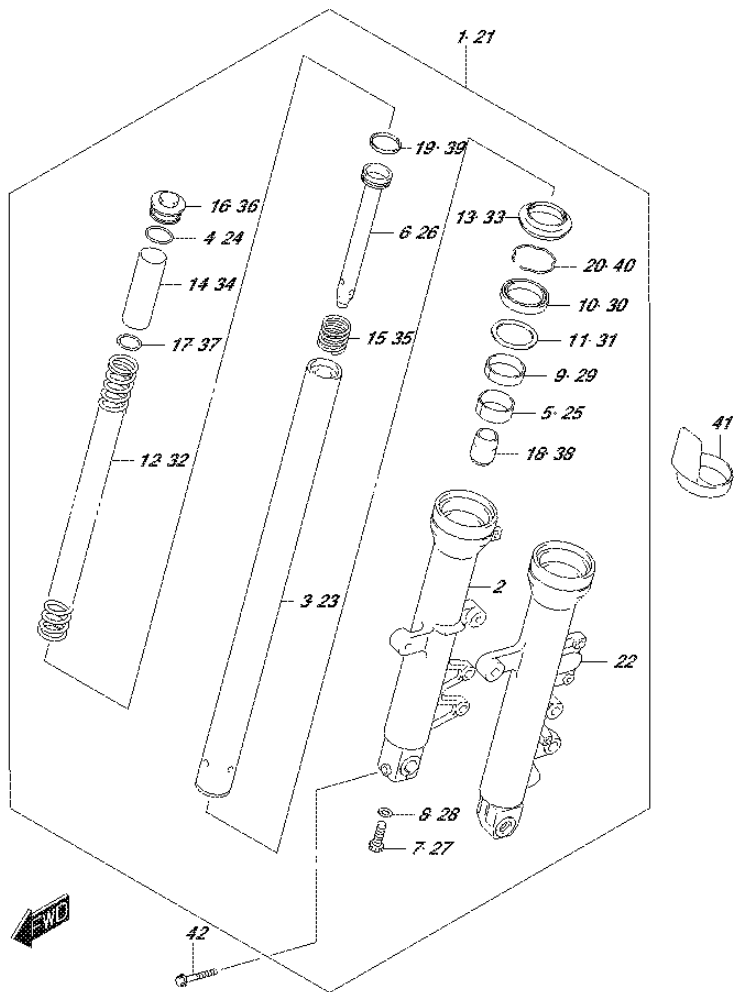


FIG.521A (1-E-15) FRONT FORK DAMPER

REF NO.	PART NO.	DESCRIPTION	Q'TY	REMARKS
1	51103-44HA0-291	DAMPER ASSY, FRONT FORK RH (BLACK)	1	
2	51130-44HA0-291	.TUBE, OUTER RH (BLACK)	1	
3	51110-44H00	.TUBE, INNER	1	
4	51117-12C00	.O RING	1	
5	51121-44H00	.BUSH, SLIDE	1	
6	51146-17G20	.CYLINDER	1	
7	51147-48130	.BOLT, 8X27	1	
8	51148-31030	.GASKET	1	
9	51152-01H10	.BUSH, GUIDE	1	
10	51153-01H10	.OIL SEAL	1	
11	51168-17G80	.SPACER, SEAL	1	
12	51171-44HA0	.SPRING, FRONT	1	
13	51173-01H00	.SEAL, DUST	1	
14	51176-19C10	.COLLAR, SPRING	1	
15	51177-17G50	.SPRING, REBOUND	1	
16	51189-47D50	.BOLT, FORK	1	
17	51192-19C00	.JOINT, SPRING	1	
18	51195-48B31	.PIECE, OIL LOCK	1	
19	51196-12C00	.RING, PISTON	1	
20	51556-38B00	.RING, STOPPER	1	

FIG.521A

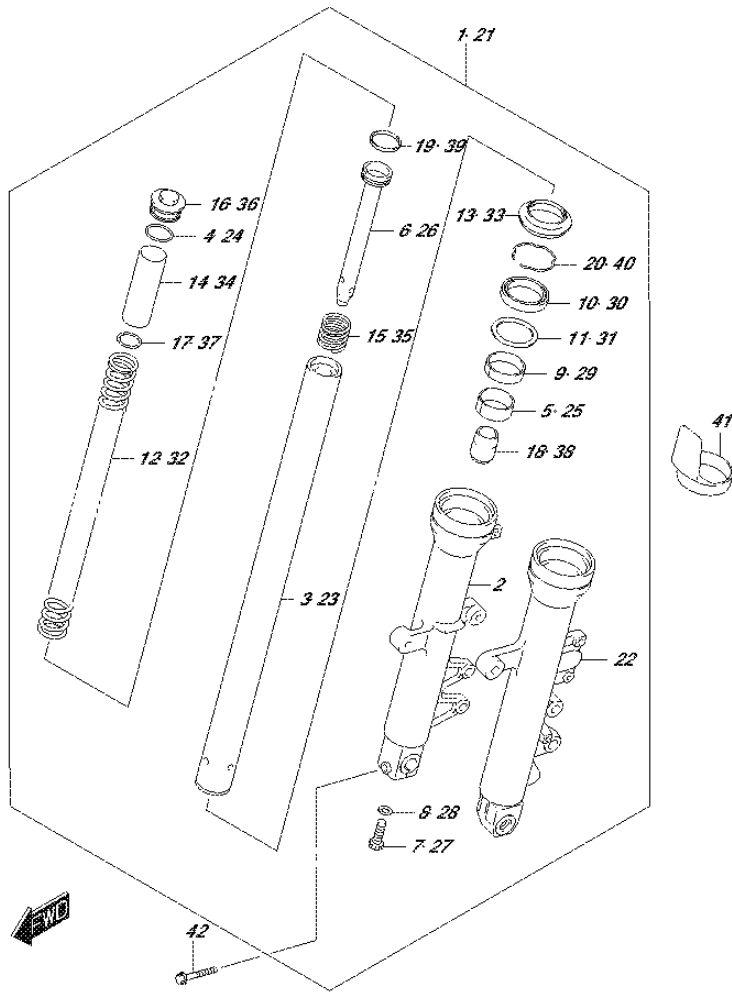
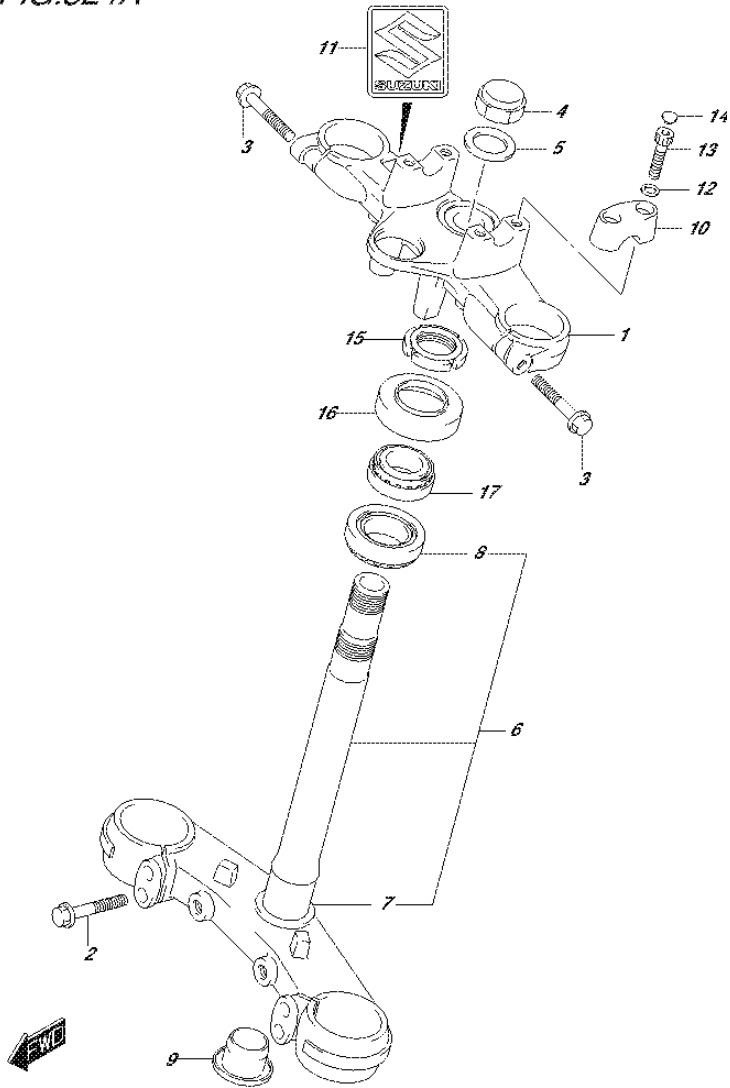


FIG.521A (1-F-2) FRONT FORK DAMPER

REF NO.	PART NO.	DESCRIPTION	Q'TY	REMARKS
21	51104-44HA0-291	DAMPER ASSY, FRONT FORK LH (BLACK)	1	
22	51140-44HA0-291	.TUBE, OUTER LH (BLACK)	1	
23	51110-44H00	.TUBE, INNER	1	
24	51117-12C00	.O RING	1	
25	51121-44H00	.BUSH, SLIDE	1	
26	51146-17G20	.CYLINDER	1	
27	51147-48130	.BOLT	1	
28	51148-31030	.GASKET	1	
29	51152-01H10	.BUSH, GUIDE	1	
30	51153-01H10	.OIL SEAL	1	
31	51168-17G80	.SPACER, SEAL	1	
32	51171-44HA0	.SPRING, FRONT	1	
33	51173-01H00	.SEAL, DUST	1	
34	51176-19C10	.COLLAR, SPRING	1	
35	51177-17G50	.SPRING, REBOUND	1	
36	51189-47D50	.BOLT, FORK	1	
37	51192-19C00	.JOINT, SPRING	1	
38	51195-48B31	.PIECE, OIL LOCK	1	
39	51196-12C00	.RING, PISTON	1	
40	51556-38B00	.RING, STOPPER	1	
41	51201-32F00	PROTECTOR	2	
42	51166-01H10	BOLT	1	RH

FIG.524A



SV650AL7_E14_324A
STEERING STEM

FIG.524A (1-F-3) STEERING STEM

REF NO.	PART NO.	DESCRIPTION	Q'TY	REMARKS
1	51311-44H00-291	HEAD, STEERING STEM (BLACK)	1	
2	51328-44H00	BOLT	4	
3	51328-44H00	BOLT	2	
4	51353-38A01	NUT, CAP	1	
5	51356-24B01	WASHER	1	
6	51410-44HA0-291	BRACKET, UNDER (BLACK)	1	
7	51644-12C00	.SEAL, STEERING LOWER	1	
8	09265-30020	.BEARING (30X55X17)	1	
9	51482-44H00	CAP	1	
10	56211-44H00-291	HOLDER, HANDLE (BLACK)	2	
11	68281-47HA0	EMBLEM, "S"	1	
12	09164-08015	WASHER	4	
13	07130-0825B	BOLT	4	
14	09250-06008	CAP (OD:10)	4	
15	51631-31F10	NUT, STEERING STEM	1	
16	51643-40502	SEAL, STEERING UPPER DUST	1	
17	09265-25038	BEARING (25X47X15)	1	

SV650AL7_E14

FIG.530A

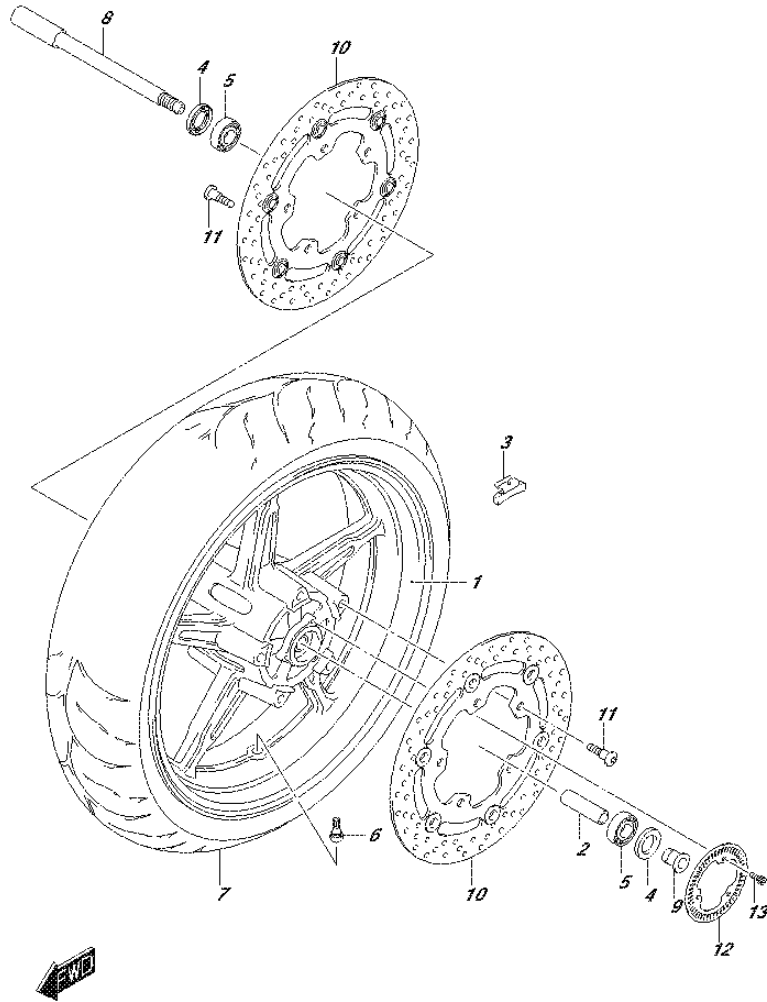
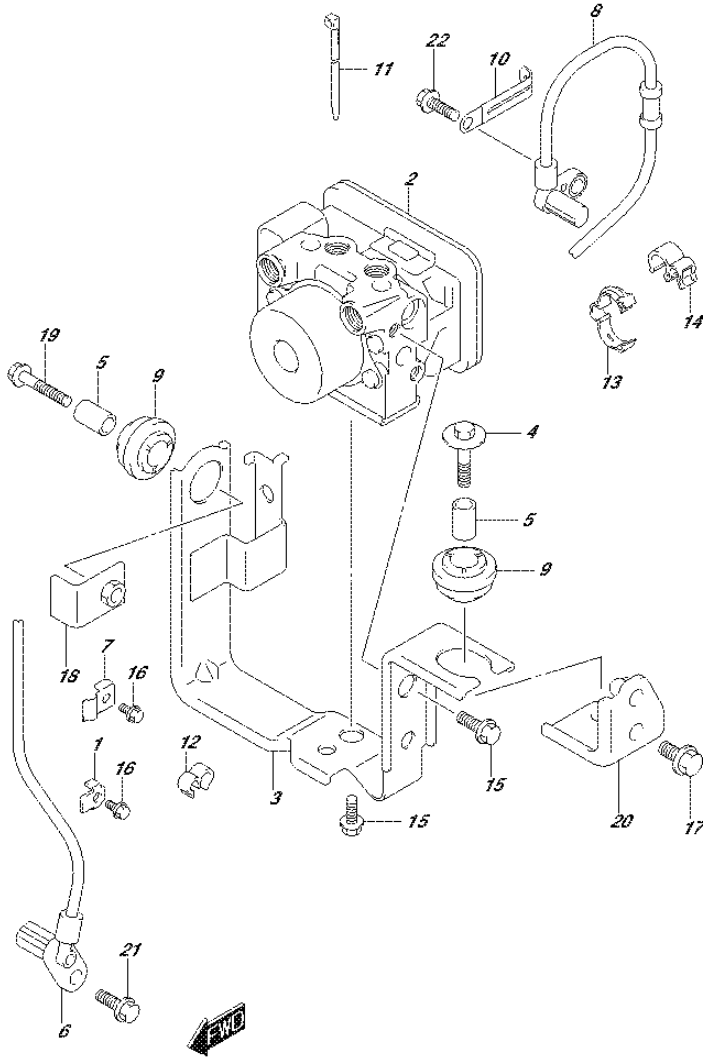


FIG.530A (1-F-4) FRONT WHEEL

REF NO.	PART NO.	DESCRIPTION	Q'TY	REMARKS
1-1	54111-18K00-PLY	WHEEL, FRONT (17M/CXMT3.50) (BLUE)	1	FOR YWW
1-2	54111-18K00-019	WHEEL, FRONT (17M/CXMT3.50) (BLACK)	1	FOR YKV,YSF,YVZ
2	54731-44H00	SPACER, FRONT HUB BEARING	1	
3-1	55411-22H00	BALANCER, WHEEL NO.1	1	10G
3-2	55412-22H00	BALANCER, WHEEL NO.2	1	20G
3-3	55413-22H00	BALANCER, WHEEL NO.3	1	30G
4	09285-22004	OIL SEAL (22X40X7)	2	
5	08133-62037	BEARING	2	
6	43130-24A00	VALVE ASSY, WHEEL RIM (TR412)	1	
7	55110-44H01	TIRE, FRONT 120/70ZR17M/C (58W)	1	Qualifier J DUNLOP
8	54711-08F00	AXLE, FRONT	1	
9	54751-44H00	SPACER, FRONT AXLE LH	1	
10	59210-38G10	DISC, FRONT BRAKE	2	
11	09106-08160	BOLT (8X21)	10	
12	54162-44H00	RING, SPEED SENSOR	1	
13	07130-0512A	BOLT	3	

FIG.533A



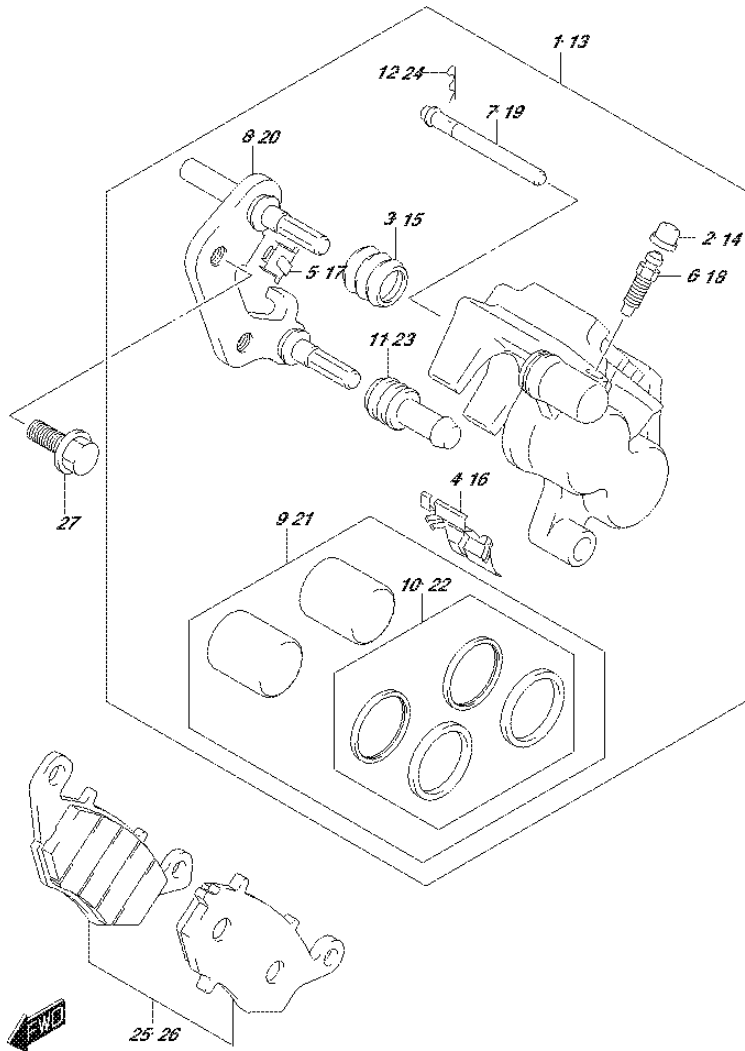
SV650AL7_E14_303A
HYDRAULIC UNIT

FIG.533A (1-F-5) HYDRAULIC UNIT

REF NO.	PART NO.	DESCRIPTION	Q'TY	REMARKS
1	34938-14F00	GUIDE, ABS SENSOR LEAD	1	
2	55610-18K00	UNIT ASSY, HYDRAULIC ABS	1	
3	55660-18K00	HOLDER, HYDR UNIT	1	
4	09116-06510	BOLT	1	
5	55662-10G00	SPACER, HYDR UNIT MTG	2	
6	55710-18K00	SENSOR, FR WHEEL SPEED	1	
7	55733-44H00	CLAMP, SENSOR LEAD FR NO.3	1	
8	65710-18K00	SENSOR, RR WHEEL ABS	1	
9	09320-10066	RUBBER	2	
10	09404-06429	CLAMP (L:45)	1	
11	09407-14407	CLAMP (L:145)	1	
12	09408-00101	CLIP	2	
13	09408-00259	CLAMP	1	
14	09408-00266	CLAMP	7	
15	01547-0612B	BOLT	2	
16	01547-0612A	BOLT	2	
17	01550-0612B	BOLT	2	
18	55680-18K00	NUT, RUBBER UNIT MTG	1	
19	01547-0630B	BOLT	1	
20	55670-18K00	BRACKET, ABS UNIT HOLDER	1	
21	01547-0616B	BOLT	1	
22	01547-0616A	BOLT	1	

SV650AL7_E14

FIG.535A



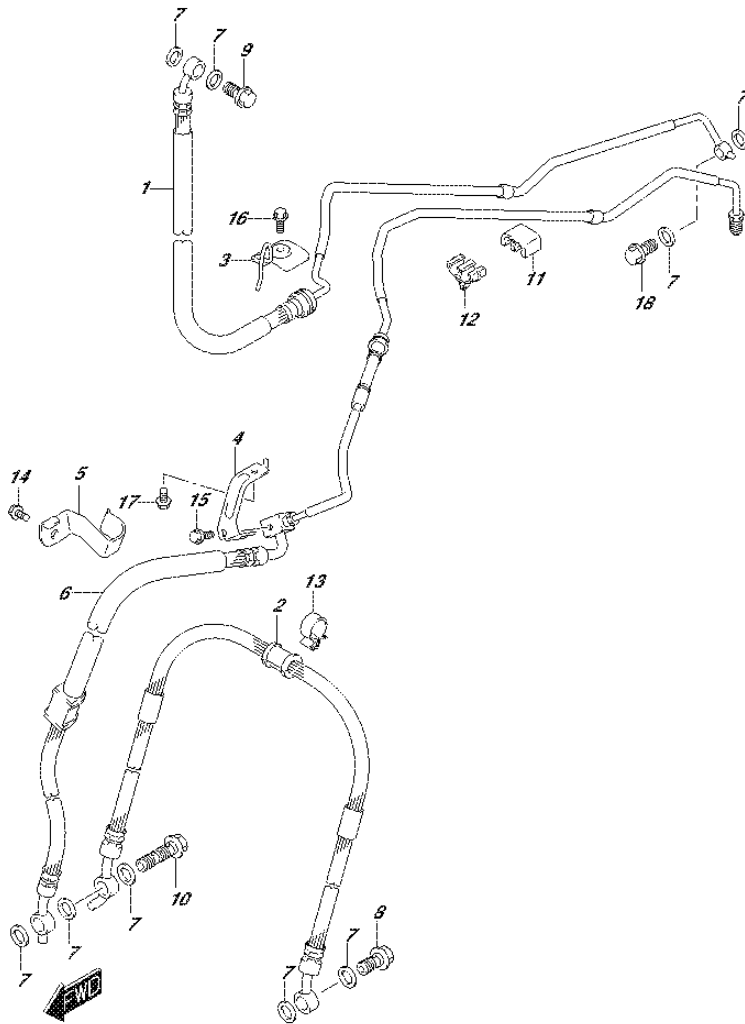
SV650AL7_E14_335A
FRONT CALIPER

FIG.535A (1-F-6) FRONT CALIPER

REF NO.	PART NO.	DESCRIPTION	Q'TY	REMARKS
1	59100-33DJ0-999	CALIPER ASSY, FRONT RH	1	
2	55156-66310	.CAP, BLEEDER PLUG	1	
3	59112-44B00	.BOOT, AXLE	1	
4	59115-33D00	.SPRING, PAD RH	1	
5	59116-33D00	.GUIDE, PAD	1	
6	59121-18410	.BLEEDER	1	
7	59141-44B01	.PIN, PAD	1	
8	59150-33D01	.CARRIER, CALIPER RH	1	
9	59300-01820	.PISTON SET	1	
10	59100-04851	..SEAL SET, PISTON	1	
11	59313-36500	.INSULATOR, AXLE	1	
12	69142-45000	.CLIP, PAD PIN	1	
13	59300-33DJ0-999	CALIPER ASSY, FRONT LH	1	
14	55156-66310	.CAP, BLEEDER PLUG	1	
15	59112-44B00	.BOOT, AXLE	1	
16	59315-33D00	.SPRING, PAD LH	1	
17	59116-33D00	.GUIDE, PAD	1	
18	59121-18410	.BLEEDER	1	
19	59141-44B01	.PIN, PAD	1	
20	59350-33D01	.CARRIER, CALIPER LH	1	
21	59300-01820	.PISTON SET	1	
22	59100-04851	..SEAL SET, PISTON	1	
23	59313-36500	.INSULATOR, AXLE	1	
24	69142-45000	.CLIP, PAD PIN	1	
25	59101-33880	PAD SET RH	1	
26	59302-33890	PAD SET LH	1	
27	01550-1025A	BOLT	4	

SV650AL7_E14

FIG.536A



SV650AL7_E14_536A
FRONT BRAKE HOSE

FIG.536A (1-F-7) FRONT BRAKE HOSE

REF NO.	PART NO.	DESCRIPTION	Q'TY	REMARKS
1	59200-18K00	HOSE ASSY, FR MASTER TO UNIT	1	
2	59240-18K00	HOSE, FR CLPR TO CLPR	1	
3	59251-18K00	CLAMP, FR BK HOSE ASSY NO.1	1	
4	59261-18K00	CLAMP, FR BK HOSE ASSY NO.2	1	
5	59263-44H10	CLAMP, FR BRAKE HOSE NO.2	1	
6	59400-18K00	HOSE ASSY, UNIT TO FR CLPR	1	
7	09161-10009	WASHER (10X15X1.5)	9	
8	09360-10062	UNION	1	
9	09360-10062	UNION	1	
10	09360-10064	UNION	1	
11	09403-06324	CLAMP	2	
12	09403-07334	CLAMP	2	
13	09403-16412	CLAMP	1	
14	01547-0612A	BOLT	1	
15	01547-0616A	BOLT	1	
16	01547-0616A	BOLT	1	
17	01550-0612A	BOLT	1	
18	09360-10062	UNION	1	

SV650AL7_E14

FIG.537A

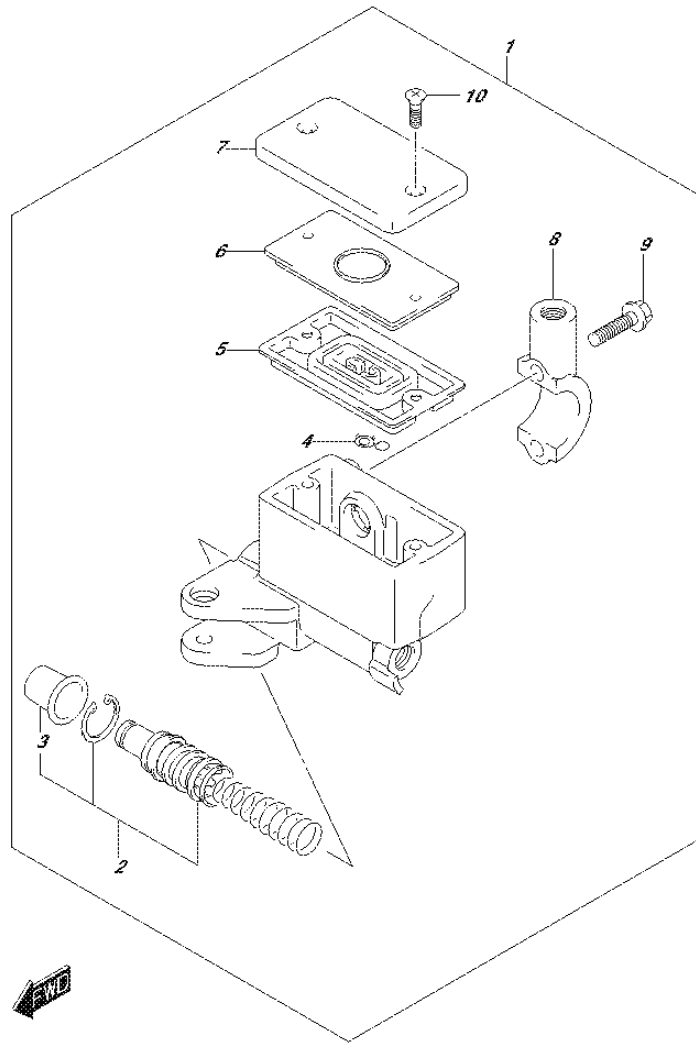


FIG.537A (1-F-8) FRONT MASTER CYLINDER

REF NO.	PART NO.	DESCRIPTION	Q'TY	REMARKS
1	59600-10G30	CYLINDER ASSY, FRONT MASTER	1	
2	59600-45870	.PISTON & CUP SET	1	
3	59666-44300	.BOOT	1	
4	59664-32F00	.PROTECTOR	1	
5	59667-49460	.DIAPHRAGM	1	
6	59668-41C00	.PLATE, DIAPHRAGM	1	
7	59669-10G00	.CAP	1	
8	59671-32F00	.HOLDER	1	
9	59675-02FA0	.BOLT (6X22)	2	
10	69689-49300	.SCREW, RESERVOIR CAP	2	

FIG.541A

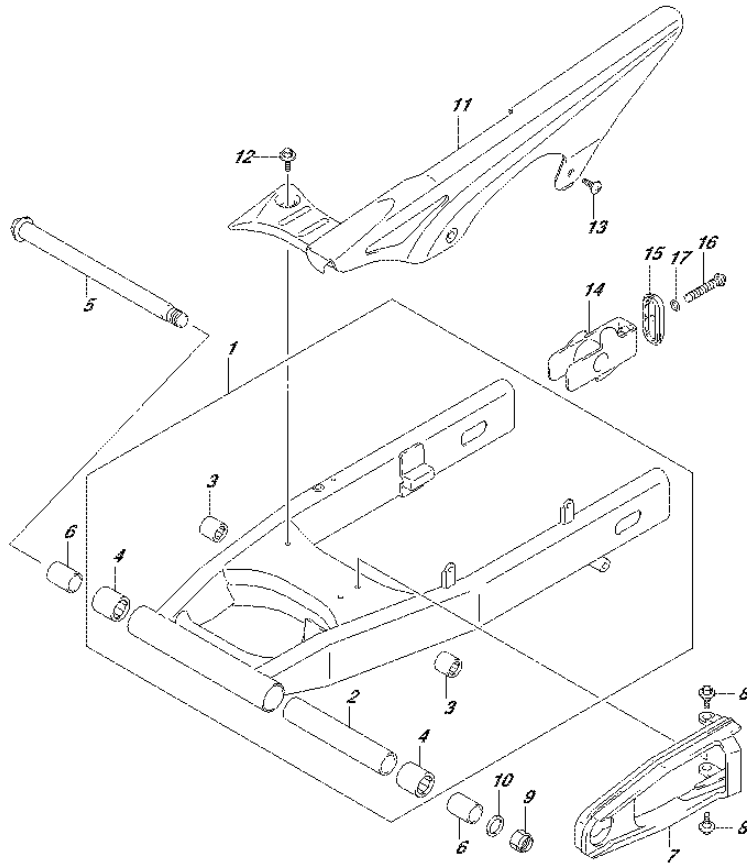
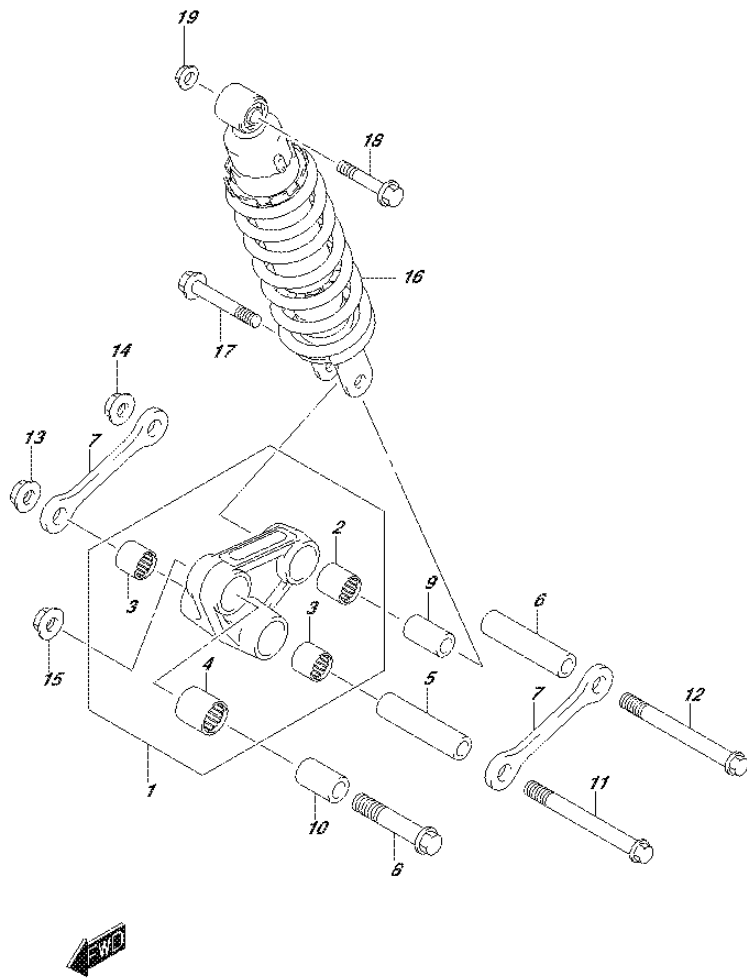


FIG.541A (1-F-9) REAR SWINGARM

REF NO.	PART NO.	DESCRIPTION	Q'TY	REMARKS
1	61000-44H10-YAP	SWINGARM ASSY, REAR (BLACK)	1	
2	61282-17C00	.SPACER, RR SWGARM PIVOT	1	
3	09263-17037	.BEARING (17X24X25)	2	
4	09263-25059	.BEARING (25X33X35)	2	
5	61211-31E00	SHAFT, RR SWGARM PIVOT	1	
6	61251-21E00	SPACER, RR SWGARM PIVOT	2	
7	61273-44H00	BUFFER, CHAIN TOUCH DEFENSE	1	
8	09111-06072	BOLT (6X17.8)	2	
9	09159-18007	NUT	1	
10	09160-18030	WASHER (18.5X28X2.6)	1	
11	61310-44H00	CASE, CHAIN	1	
12	09111-06107	BOLT (6X12)	2	
13	09139-06165	SCREW (6X16)	2	
14	61410-44H00	ADJUSTER, CHAIN	2	
15	61421-44H00-13L	PLATE, ADJUSTER GUIDE (SILVER)	2	
16	09106-08119	BOLT (8X50)	2	
17	09164-08015	WASHER	2	



FIG.543A



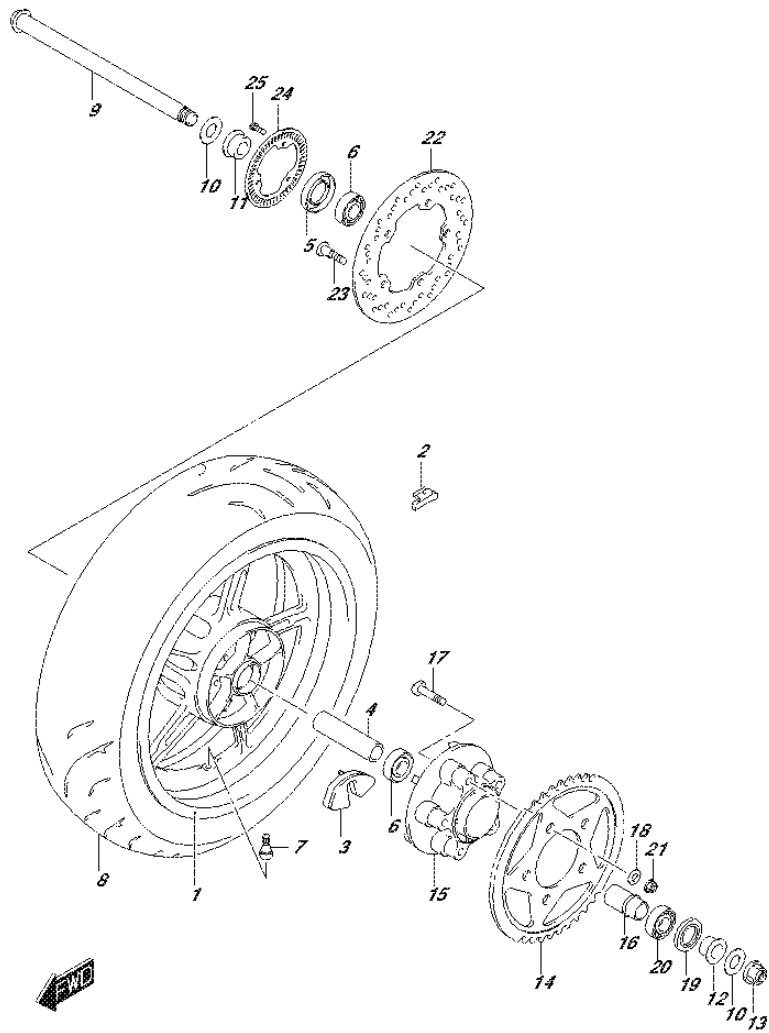
SV650AL7_E14_543A
REAR CUSHION LEVER

FIG.543A (1-F-10) REAR CUSHION LEVER

REF NO.	PART NO.	DESCRIPTION	Q'TY	REMARKS
1	62600-44880	LEVER SET, REAR CUSHION	1	
2	09263-17034	.BEARING (17X24X26)	1	
3	09263-17037	.BEARING (17X24X25)	2	
4	09263-20073	.BEARING (20X27X30)	1	
5	62626-17G00	SPACER, RR CUSHION LEVER	1	
6	62626-17G00	SPACER, RR CUSHION ROD	1	
7	62641-44H00	ROD, RR CUSHION LEVER	2	
8	62668-42A02	BOLT, RR CUSHION LEVER FR	1	
9	62684-40A10	SPACER, RR CUSHION LEVER RR	1	
10	62684-12C00	SPACER, RR CUSHION LEVER FR	1	
11	09103-12034	BOLT (12X96)	1	
12	09103-12034	BOLT (12X96)	1	
13	09159-12056	NUT	1	
14	09159-12056	NUT	1	
15	09159-12056	NUT	1	
16	62100-44HA0-019	ABSORBER, REAR SHOCK (BLACK)	1	
17	09103-10126	BOLT (10X48)	1	LOWER
18	09103-10213	BOLT (10X52)	1	UPPER
19	09159-10115	NUT	1	

SV650AL7_E14

FIG.550A



SV650AL7_E14_350A
REAR WHEEL

FIG.550A (1-F-11) REAR WHEEL

REF NO.	PART NO.	DESCRIPTION	Q'TY	REMARKS
1-1	64111-44H11-PLY	WHEEL, REAR (17M/CXMT5.0) (BLUE)	1	FOR YWW
1-2	64111-44H11-019	WHEEL, REAR (17M/CXMT5.0) (BLACK)	1	FOR YKV,YSF,YVZ
2-1	55411-22H00	BALANCER, WHEEL NO.1	1	10G
2-2	55412-22H00	BALANCER, WHEEL NO.2	1	20G
2-3	55413-22H00	BALANCER, WHEEL NO.3	1	30G
3	64651-27A01	ABSORBER, REAR HUB SHOCK	5	
4	09180-20062	SPACER (20.5X28X88)	1	
5	09285-28001	OIL SEAL (28X47X7)	1	
6	08123-62047	BEARING	2	
7	43130-24A00	VALVE ASSY, WHEEL RIM (TR412)	1	
8	65110-44H01	TIRE, REAR 160/60ZR17M/C (69W)	1	Qualifier J DUNLOP
9	64711-17E40	AXLE, REAR	1	
10	64723-44H00	WASHER, REAR AXLE	2	
11	64741-22D00	SPACER, REAR AXLE RH	1	
12	64751-44H00	SPACER, REAR AXLE LH	1	
13	09159-20013	NUT	1	
14	64511-44H20	SPROCKET, REAR (NT:46)	1	
15	64611-19F10	DRUM, REAR SPROCKET MTG	1	
16	64733-27A00	RETAINER, RR HUB BEARING	1	
17	09119-10043	BOLT (10X47)	5	
18	09160-10039	WASHER (10.5X22X2.3)	5	
19	09285-35001	OIL SEAL (35X62X8)	1	
20	09262-25073	BEARING (25X62X17)	1	
21	08319-3110A	NUT	5	
22	69211-38G00	DISC, REAR BRAKE	1	
23	09106-08160	BOLT (8X21)	5	
24	54162-44H00	RING, SPEED SENSOR (50T)	1	
25	07130-0512A	BOLT	3	

SV650AL7_E14

FIG.555A

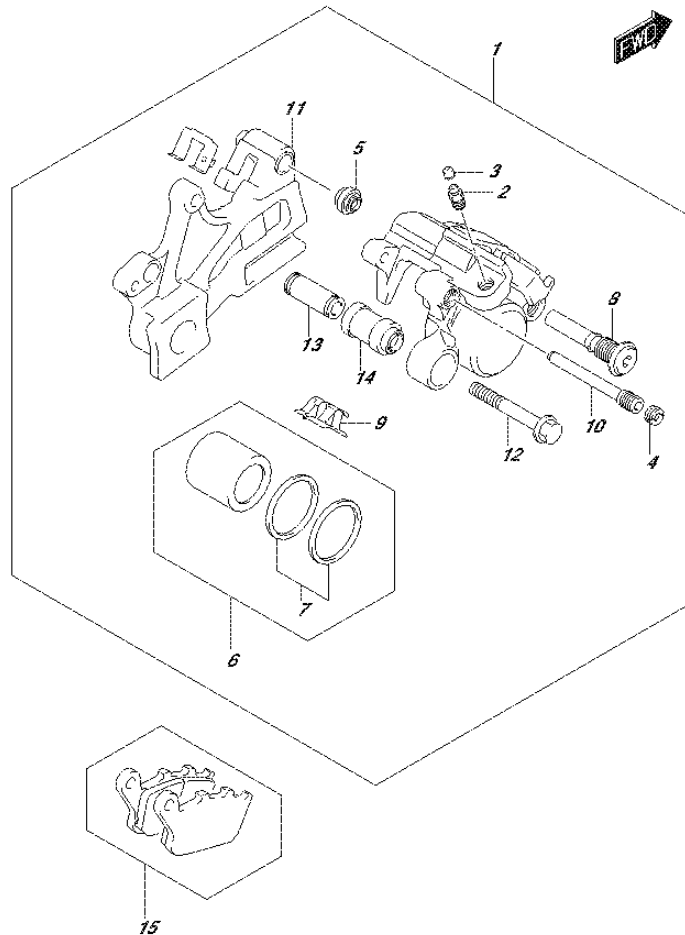


FIG.555A (1-F-12) REAR CALIPER

REF NO.	PART NO.	DESCRIPTION	Q'TY	REMARKS
1	69100-18K00-999	CALIPER ASSY REAR	1	
2	59121-01A00	.BLEEDER	1	
3	59122-46H00	.CAP, BLEEDER	1	
4	59146-21E10	.PLUG, PIN	1	
5	59303-14500	.BOOT	1	
6	69101-44860	.PISTON SET	1	
7	69100-04820	..SEAL SET, PISTON	1	
8	59305-36E00	.PIN, BOLT	1	
9	69115-06G00	.SPRING, PAD	1	
10	69141-40F00	.PIN, PAD	1	
11	69150-18K00	.BRACKET	1	
12	69182-04F00	.BOLT	1	
13	69185-04F00	.SLEEVE	1	
14	69186-04F00	.BOOT, SLEEVE	1	
15	69101-44850	PAD SET	1	

FIG.558A

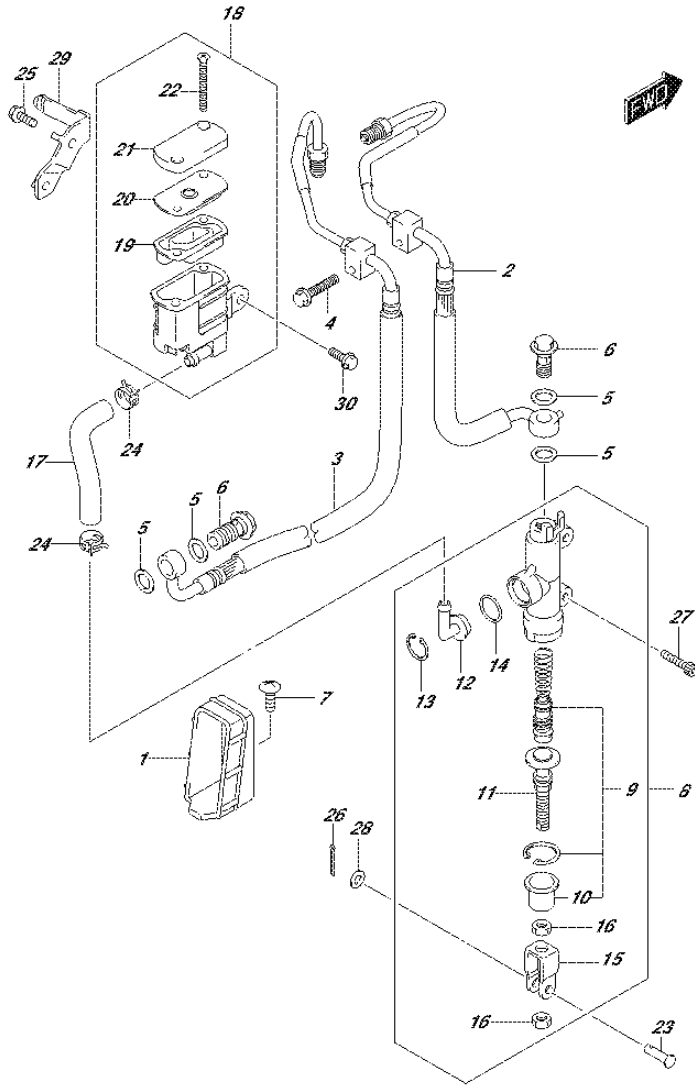


FIG.558A (1-F-13) REAR MASTER CYLINDER

REF NO.	PART NO.	DESCRIPTION	Q'TY	REMARKS
1	69243-44H00	GUIDE, REAR BRAKE HOSE	1	
2	69200-18K00	HOSE ASSY, RR MASTER TO UNIT	1	
3	69400-18K00	HOSE ASSY, RR UNIT TO CLPR	1	
4	01547-0630B	BOLT	1	
5	09161-10009	WASHER (10X15X1.5)	4	
6	09360-10062	UNION	2	
7	02142-0616A	SCREW	1	
8	69600-44H00	CYLINDER ASSY, REAR MASTER	1	
9	69600-34820	.PISTON/CUP SET	1	
10	69691-00A00	.BOOT	1	
11	69670-48B00	.ROD, PUSH	1	
12	69672-00B20	.CONNECTOR	1	
13	69674-00B20	.CIRCLIP	1	
14	69686-34200	.O RING	1	
15	69692-44H00	.YOKE	1	
16	69693-05A00	.NUT	2	
17	69731-18K00	HOSE, REAR RESERVOIR TANK	1	
18	69740-18K00	TANK ASSY, RESERVOIR	1	
19	69667-01H00	.DIAPHRAGM	1	
20	69668-01H00	.PLATE, DIAPHRAGM	1	
21	69669-18K00	.CAP, RESERVOIR	1	
22	69689-01H00	.SCREW	2	
23	09200-06068	PIN (6X18.2)	1	
24	09401-12404	CLIP	2	
25	01547-0612A	BOLT	1	
26	04111-2015A	PIN	1	
27	07130-0625A	BOLT	2	
28	08322-0106A	WASHER	1	
29	69750-18K00	BRACKET, REAR RESERVOIR TANK	1	
30	01547-0616A	BOLT	1	

FIG.901A

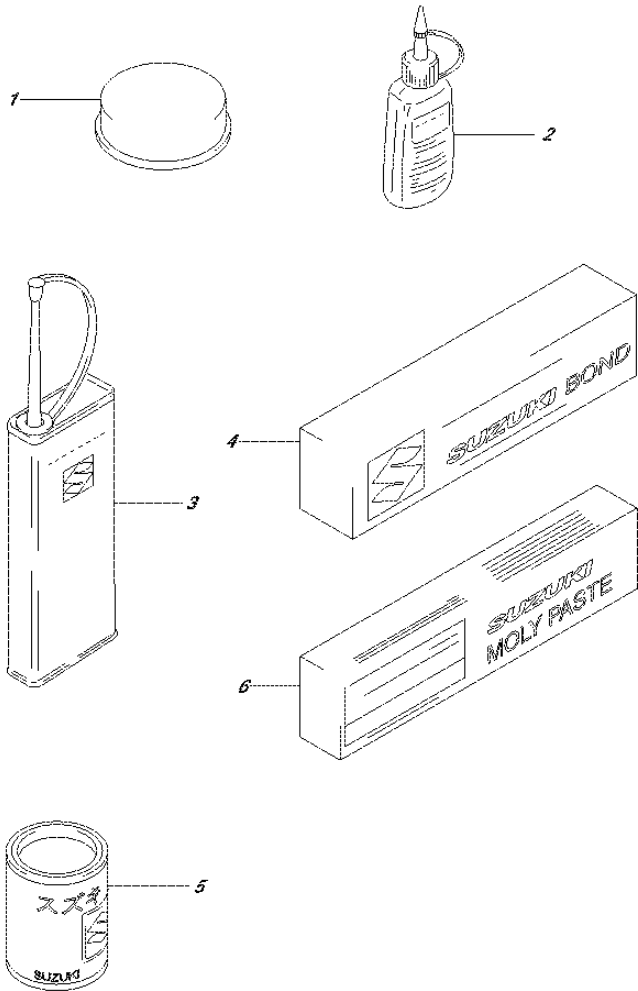


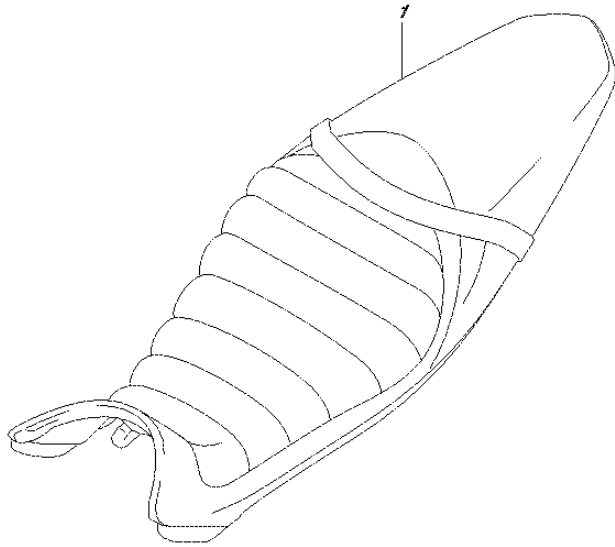
FIG.901A (1-F-14) OPTIONAL

REF NO.	PART NO.	DESCRIPTION	Q'TY		REMARKS
1	99000-25110	SUZUKI PBC GREASE	1	20G	
2-1	99000-32020	THREAD LOCK SUPER (1333B)	1	50G	
2-2	99000-32030	THREAD LOCK SUPER (1303B)	1	50G	
2-3	99000-32050	THREAD LOCK SUPER (1342)	1	50G	
2-4	99000-32100	THREAD LOCK SUPER (1305)	1	50G	
2-5	99000-32130	THREAD LOCK SUPER (1360)	1	50G	
3	99000-32040	THREAD LOCK CEMENT	1	200G	
4-1	99000-31140	SUZUKI BOND (1207B)BLACK	1	100G	
4-2	99000-31110	SUZUKI BOND (1215)	1	100G	
5	99000-25030	SUZUKI SUPER GREASE	1	150G	
6	99000-25140	SUZUKI MOLY PASTE	1	50G	

FIG.970A

FIG.970A (1-F-15) OPTIONAL (SEAT)

REF NO.	PART NO.	DESCRIPTION	Q'TY	REMARKS
1	45100-18K50	SEAT ASSY	1	



PART NO.	FIG.NO.-REF.NO.	PART NO.	FIG.NO.-REF.NO.	PART NO.	FIG.NO.-REF.NO.	PART NO.	FIG.NO.-REF.NO.	PART NO.	FIG.NO.-REF.NO.	PART NO.	FIG.NO.-REF.NO.
27600-44H10-112 27620-44H10	206A-47 206A-48	34189-08J00 34810-18K00 34938-14F00 35100-19F00-999 35111-19F00 35121-19F00 35135-45900 35151-19F00 35152-45600 35154-13F00	330A-8 172A-13 533A-1 333A-1 333A-2 333A-3 333A-4 333A-5 333A-6 333A-7	41100-18K00-YAP 35181-19F00 42310-18K00 43111-44G10 43130-24A00	350A-8 401A-1 401A-2 407A-1 407A-6 530A-6	44511-18K00 44512-04K00 44530-44H00 44542-16G00 44542-29G00 44560-23H00 44561-35F00 44570-16G00 44572-13G00 44883-06G00 44894-04K00 44894-24A00 45100-18K00-BBC 45100-18K50 45148-20G90 45149-31300 45212-18K00 45220-04K20 45280-18K00 45288-14F00 45289-11F00 45380-18K00-P3H 47110-18K00 47210-18K00 47310-18K00-YKV 47312-18K00 47315-18K00 47351-18K00 47361-18K00 47410-18K00-YKV 47410-18K10-4TX 47410-18K10-4UX 47410-18K10-YKV 47430-18K00 47432-18K00 47433-18K00	420A-6 420B-6 420A-7 420B-7 420A-12 420B-12 420A-11 420B-11 420A-9 420B-9 420A-24 420B-24 420A-15 420B-15 420A-10 420B-10 420A-8 420B-8 443A-2 443A-4 427A-7 427A-4 155A-17 505A-1 970A-1 505A-2 505A-3 505A-4 505A-10 505A-11 505A-12 505A-13 505A-5 443A-1 443A-3 445A-1 445B-1 445A-13 445B-15 445A-3 445B-3 449A-1 449A-2 449A-2 449A-2 445B-4-2 445B-4-3 445B-4-1 405A-1 405A-4 405A-5	47510-18K00-YKV 47510-18K10-4TX 47510-18K10-4UX 47510-18K10-YKV 47543-44H00 47611-18K00-YKV 47613-44H00 47711-18K00-YKV 51103-44HA0-291 51104-44HA0-291 51110-44H00 51117-12C00 51827-13G00 51827-18K00 51831-18K00-YKV 51831-21D00 51130-44HA0-291 51140-44HA0-291 51146-17G20 51147-48130 51148-31030 51152-01H10 51153-01H10 51166-01H10 51168-17G80 51171-44HA0 51173-01H00 51176-19C10 51177-17G50 51189-47D50 51192-19C00 521A-1 521A-21 521A-3 521A-23 521A-4 521A-24 521A-5 521A-25 521A-2 521A-22 521A-6 521A-26 521A-7 521A-27 521A-8 521A-28 521A-9 521A-29 521A-10 521A-30 521A-42 521A-11 521A-31 521A-12 521A-32 521A-13 521A-33 521A-14 521A-34 521A-15 521A-35 521A-16 521A-36 521A-17 521A-37	445A-5 445B-6-2 445B-6-3 445B-6-1 449A-3 443A-5 443A-6 443A-7 51631-31F10 51643-40502 51644-12C00 51811-18K00 51821-18K00-YKV 51827-13G00 51827-18K00 51831-18K00-YKV 51831-21D00 51841-18K00 51850-18K00 53110-18K00-BBT 53145-40A00 54111-18K00-019 54111-18K00-YLY 54162-44H00 54711-08F00 54731-44H00 54751-44H00 55110-44H01 55156-66310 55411-22H00 55412-22H00 55413-22H00 55610-18K00 55660-18K00 55662-10G00 55670-18K00 55680-18K00 55710-18K00 55733-44H00	521A-18 521A-38 521A-19 521A-39 521A-41 524A-1 524A-2 524A-3 524A-4 524A-5 524A-6 524A-9 521A-20 521A-40 524A-15 524A-16 524A-7 452A-1 452A-9 452A-2 452A-3 452A-10 452A-15 452A-11 452A-16 460A-1 405A-2 530A-1-2 530A-1-1 530A-12 550A-24 530A-8 530A-2 530A-9 530A-7 535A-2 535A-14 530A-3-1 550A-2-1 530A-3-2 550A-2-2 530A-3-3 550A-2-3 533A-2 533A-5 533A-20 533A-18 533A-6 533A-7	
30000				40000		50000					
31100-19F10 31132-18H00 31143-49040 31156-98E00 31264-38F10 31280-19F10 31800-06G00 31861-47E00 32101-17G22 32102-17G01 32371-19F10 32800-47H00 32920-18K30 33410-44H01 33414-44H01 33420-44H01 33510-17G00 33510-20E00 33541-23E10 33541-47D00 33542-17G01 33542-38B00 33610-14G21 33624-16G00 33652-16G00 33652-20C00 33652-28C00 33810-18K00 33820-18K10 33860-18K00 33960-06G10 34111-04K00 34120-18K30 34124-04K00 34124-04K10 34150-04K00 34183-10C00	301A-1 301A-2 301A-3 301A-4 301A-5 301A-6 312A-1 312A-2 303A-1 303A-2 303A-3 312A-5 312A-29 312A-8 312A-9 312A-10 312A-21 312A-22 312A-23 312A-24 312A-25 312A-26 312A-27 312A-28 310A-1 310A-8 310A-2 445A-12 445B-14 310A-3 310A-4 310A-7 310A-6 312A-30 330A-5 330A-1 330A-3 330A-4 330A-2 330A-6	35174-19F00 35181-19F00 35601-08J00 35602-08J00 35603-08J00 35604-08J00 35612-08JA0 35629-31F40 35632-08JA0 35710-14J00 35726-18K00 35910-16G11 35912-16G01 35913-16G00 35917-16G00 35970-07F01 36610-18KA0 36611-16G00 420B-23 36618-31J00 36618-35F00 36654-06J00 36920-08D00 37000-17861 37100-16G41 37146-33E00 37200-18K00 37400-18K00 37730-44H01 37740-44H01 37820-33D10 37822-33D00 37840-25D00 38500-18K00 38610-06F00 38860-76F01	333A-8 333A-9 334A-1 334A-5 334A-11 334A-15 334A-2 334A-16 334A-9 334A-6 334A-12 339A-1 339A-2 339A-6 339A-8 339A-9 339A-7 339A-14 350A-1 350A-26 420A-23 420B-23 310A-5 350A-2 350A-9 350A-10 352A-1 352A-2 352A-4 355A-1 355A-3 212A-39 350A-20 108A-33 108A-34 350A-22 350A-24 334A-20 350A-6 350A-7	41100-18K00-YAP 41942-44H00 42310-18K00 43111-44G10 43130-24A00 43510-18K00 43516-18K00 43521-18K00 43526-18K00 43561-44G00 43576-48B30 43611-37H00 43621-37H00 43810-18K00 43816-01H10 43820-18K00 44100-18K20-YKV 44100-18K50-YSF 44100-18K50-YVZ 44100-18K50-YVWV 44176-31J00 44191-18K00 44200-16870 44240-17C00 44244-11J00 44271-18K00 44277-18K00 44278-18K00 44279-18K00 44423-18K00 44423-18K10 44427-18K10 44434-18K00	401A-1 401A-2 407A-1 407A-6 530A-6 415A-1 415A-4 415A-2 415A-5 407A-10 415A-9 415A-12 415A-13 415A-10 415A-17 415A-11 420A-1 420B-1-1 420B-1-2 420B-1-3 422A-2 420A-17 420B-17 420A-4 420B-4 427A-3 420A-5 420B-5 422A-1 422A-3 422A-4 422A-5 420A-18 420B-18 420A-20 420B-20 420A-21 420B-21 427A-1						

PART NO.	FIG.NO.-REF.NO.	PART NO.	FIG.NO.-REF.NO.	PART NO.	FIG.NO.-REF.NO.
56111-44H12-YAP	462A-1		535A-21	64711-17E40	550A-9
56200-41830	462A-2	59300-33DJ0-999	535A-13	64723-44H00	550A-10
56211-44H00-291	524A-10	59302-33890	535A-26	64733-27A00	550A-16
56272-10G00	462A-6	59303-14500	555A-5	64741-22D00	550A-11
56272-42F00	462A-4	59305-36E00	555A-8	64751-44H00	550A-12
56273-10G10	462A-7	59313-36500	535A-11	65110-44H01	550A-8
56500-08J11	462A-8		535A-23	65710-18K00	533A-8
56600-08J11	462A-9	59315-33D00	535A-16	68110-18K00-AGQ	420B-2-1
57110-29G02-291	467A-1	59350-33D01	535A-20	68110-18K00-AGS	420B-2-2
57211-22D02-291	467A-7	59400-18K00	536A-6	68110-18K00-AJP	420B-2-3
57300-44G12	467A-2	59600-10G30	537A-1	68111-18K00-CTY	420A-2
57431-17H02	467A-3	59600-45870	537A-2	68111-47HA0	420A-3
57431-45C01	467A-10	59664-32F00	537A-4		420B-3
57441-45C00	467A-12	59666-44300	537A-3	68135-18K00-BBU	445B-5-1
57442-45C00	467A-13	59667-49460	537A-5	68135-18K00-BCB	445B-5-2
57460-14J01	467A-5	59668-41C00	537A-6	68135-18K00-BCC	445B-5-3
57465-17C00	467A-6	59669-10G00	537A-7	68145-18K00-BBU	445B-7-1
57500-25D01	467A-8	59671-32F00	537A-8	68145-18K00-BCB	445B-7-2
57560-05A00	467A-15	59675-02FA0	537A-9	68145-18K00-BCC	445B-7-3
57562-41G01	467A-16			68151-44G10-BBT	460A-2
57621-40F00	467A-9			68171-28H10-CTY	445A-2
57661-33E00	467A-17				445B-2
58200-44H00	462A-10			68281-47HA0	524A-11
58300-44H00	462A-13			68318-15HJ0	496A-3
58300-44H10	462A-14			68319-49J00	496A-1
58634-44H00	462A-12			68332-18K00	496A-2
59100-04851	535A-10	61000-44H10-YAP	541A-1	69100-04820	555A-7
	535A-22	61211-31E00	541A-5	69100-18K00-999	555A-1
	535A-1	61251-21E00	541A-6	69101-44850	555A-15
59100-33DJ0-999	535A-1	61273-44H00	541A-7	69101-44860	555A-6
59101-33880	535A-25	61282-17C00	541A-2	69115-06G00	555A-9
59112-44B00	535A-3	61310-44H00	541A-11	69141-40F00	555A-10
	535A-15	61410-44H00	541A-14	69142-45000	535A-12
59115-33D00	535A-4	61421-44H00-13L	541A-15		535A-24
59116-33D00	535A-5	62100-44HA0-019	543A-16		535A-11
	535A-17	62600-44880	543A-1	69150-18K00	555A-12
59121-01A00	555A-2	62626-17G00	543A-5	69182-04F00	555A-13
59121-18410	535A-6		543A-6	69185-04F00	555A-14
	535A-18	62641-44H00	543A-7	69186-04F00	558A-2
59122-46H00	555A-3	62668-42A02	543A-8	69200-18K00	550A-22
59141-44B01	535A-7	62684-12C00	543A-10	69211-38G00	558A-1
	535A-19	62684-40A10	543A-9	69243-44H00	558A-3
59146-21E10	555A-4	63111-18K00	474A-3	69400-18K00	558A-9
59150-33D01	535A-8	63112-18K00	474A-1	69600-34820	558A-8
59200-18K00	536A-1	63118-18K00	474A-10	69600-44H00	558A-19
59210-38G10	530A-10	63191-25C00	187A-16	69667-01H00	558A-20
59240-18K00	536A-2	64111-44H11-019	550A-1-2	69668-01H00	558A-21
59251-18K00	536A-3	64111-44H11-YLY	550A-1-1	69669-18K00	558A-20
59261-18K00	536A-4	64511-44H20	550A-14	69670-48B00	558A-11
59263-44H10	536A-5	64611-19F10	550A-15	69672-00B20	558A-12
59300-01820	535A-9	64651-27A01	550A-3	69674-00B20	558A-13

60000

PART NO.	FIG.NO.-REF.NO.	PART NO.	FIG.NO.-REF.NO.	PART NO.	FIG.NO.-REF.NO.
69686-34200	558A-14	01421-0625A	107A-7		334A-7
69689-01H00	558A-22	01500-0612A	206A-41		334A-13
69689-49300	537A-10	01547-0610A	108A-24		334A-17
69691-00A00	558A-10		185A-11	03211-0416A	339A-11
69692-44H00	558A-15	01547-0612A	108A-23	03511-0516A	155A-24
69693-05A00	558A-16		452A-17	03541-0412A	350A-19
69731-18K00	558A-17		533A-16	03541-0416A	330A-10
69740-18K00	558A-18		536A-14	03541-0510A	445A-10
69750-18K00	558A-29		558A-25		445B-12
		01547-0612B	533A-15	03541-0512A	452A-14
		01547-0616A	187A-22	03541-0516A	339A-4
			533A-22		339A-13
			536A-15		405A-8
			536A-16	03541-0520A	155A-10
			558A-30		155A-21
			533A-21	04111-2015A	558A-26
			212A-36	04211-09149	112A-5
			01547-0620B		112A-15
			01547-0625A	301A-7	104A-6
			01547-0630B	533A-19	105A-6
				558A-4	107A-5
				312A-19	04221-04089
				108A-3	120A-5
				104A-10	212A-8
				105A-10	06111-07004
				474A-2	07120-0612A
				536A-17	07120-0640A
				533A-17	105A-9
				185A-3	07120-0665B
				535A-3	07120-0855A
				350A-23	07120-0880A
				201A-30	07130-0512A
				108A-18	303A-6
				350A-25	530A-13
				445A-9	550A-25
				445B-11	07130-0610B
				901A-2-1	07130-0612A
				901A-2-2	170A-10
				901A-3	187A-10
				901A-2-3	07130-0625A
				901A-2-4	127A-16
				901A-2-5	170A-2
				126A-15	558A-27
				496A-4	355A-4
					355A-2
					07130-0630A
					303A-7
					07130-0825A
					163A-5
					07130-0825B
					524A-13
					08123-62047
					550A-6
					08133-62037
					530A-5
					08211-06141
					212A-17
					08211-06181
					127A-7
					08211-25442
					206A-50
					08310-0006A
					201A-31
					212A-37

80000

90000

00000

SUZUKI **SV650AL7** PARTS CATALOGUE

SUZUKI MOTOR CORPORATION All rights reserved

No part of this document may be reproduced or transmitted in any form or by any means, electronic or mechanical, for any purpose, without the express written permission of Suzuki Motor Corporation.

SUZUKI MOTOR CORPORATION

Technical Readiness Group, Quality Administration Department
300 Takatsuka, Minami, Hamamatsu, Japan

Reprint Prohibited

SUZUKI MOTOR CORPORATION

PRINTED IN JAPAN

9900B-31248-000