

SUZUKI

PARTS CATALOGUE

GSR600

(B9111/B9112)

GSR600K6

GSR600K7/AK7

GSR600AK8

GSR600AK9

GSR600ALO



Way of Life!

**INFORMATION
ILLUSTRATION INDEX**

1

**ENGINE
TRANSMISSION**

2

ELECTRICAL

3

BODY

4

PARTS NUMBER INDEX

5

GSR600K6



GSR600K7 GSR600AK7



PHOTO : GSR600K7

GSR600AK8



GSR600AK9 **GSR600ALO**



PHOTO : GSR600AK9

PREFACE

When it becomes necessary to replace parts on SUZUKI MOTORCYCLES, always use SUZUKI GENUINE PARTS which have passed a strict inspection which guarantees quality and performance.

This parts catalogue covers the list of all service parts for SUZUKI GSR600K6, GSR600K7, GSR600AK7, GSR600AK8, GSR600AK9, GSR600AL0.

INSTRUCTIONS FOR QUOTING THE CATALOGUE

1. DIMENSIONS

Dimensions of the parts in this catalogue are indicated in unit millimeters.

2. ABBREVIATIONS

Abbreviations used in this catalogue are as follows:

AR	: As required	NT	: Number of teeth
ASSY	: Assembly	OPT	: Optional
E.No.	: Engine number	OS	: Over size
F.No.	: Frame number	STD	: Standard
D	: Diameter of material	T	: Thickness
ID	: Inside diameter	US	: Under size
OD	: Outside diameter	W	: Width
L	: Length		
LH	: Left hand side		
RH	: Right hand side		
~100045	: Up to F.No.100045		
100046~	: From F.No.100046		

$12 \times 34 \times 5.6$ Figures in the description column
show the dimensions of parts.

ID OD T(or W, L)

→12345-56781 (Parts No.) : indicates that the parts number was changed to 12345-56781 and the new parts are interchangeable with the former ones but the former ones are not interchangeable with new ones.

←12345-56781 (Parts No.) : indicates that the former and new parts are interchangeable with each other and both are usable.

3. INNER PARTS OF ASSEMBLY

Part name with a dot (.) in front as shown in the description column indicates the component of the assembly also available individually.

4. MODIFICATION NOTICE

A parts bulletin will be sent to you on all occasions when changes in parts occur, including interchangeable modifications between new parts and old ones.

5. NOTE

- 5-1. There are some different parts from those of production models among spare parts for the administrative reasons and common use of them with other models.
- 5-2. In respect of rubber hoses and vinyl tubes, please be sure to use them by cutting off according to the length mentioned on parts catalogue or what is actually required on the vehicle.
- 5-3. Note that the drawings on the illustration page are for ready reference of spare parts number, not to be used as an assembly manual.
When assembling, use "SUZUKI SERVICE MANUAL".

6. SPECIFICATION CODE

This catalogue contains the parts for the model designed for the following spec.;
spec. code:E24

7. SERIAL FRAME NUMBER

GSR600K6(E24)	: JS1B9111300100001~
GSR600K7(E24)	: JS1B9111300100428~
GSR600AK7(E24)	: JS1B9112300100001~
GSR600AK8(E24)	: JS1B9112300100012~
GSR600AK9(E24)	: JS1B9112300100033~
GSR600AL0(E24)	: JS1B9112300100053~

COLOR CHART
TABLEAU DES COULEURS

COLOR NO. NO DE COULEUR	COLOR DESCRIPTION DESCRIPTION DE COULEUR	COLOR NO. NO DE COULEUR	COLOR DESCRIPTION DESCRIPTION DE COULEUR
CTY	YD8,YKV	U1T	SILVER
CWZ	U1T,W69	U7D	ROYAL RED
CZW	YAY,YHL	W69	BLACK (LEATHER)
DHG	YHG,YDC	YAD	BLACK 50% GLOSS
DHH	YKV,YDC	YAP	SHADOW BLACK METALLIC
DHJ	YKZ,YDC	YAY	PEARL NEBULAR BLACK
DHK	YKH,YDC	YBA	DEEP BLUE
DUJ	Y4P,YKV	YBD	SPLASH WHITE
DWS	YMS,YD8	YB1	HAIR LINE CHROME RED METALLIC
DWT	YDC,YBA	YB3	HAIRLINE CHROME BLACK METALLIC
DWU	YDC,YHL	YDC	CHROME SILVER (TAPE)
ECU	W69,U7D	YD8	SONIC SILVER METALLIC
FNC	P8N,W69	YGP	HIAR LINE CHROME BLACK
FRC	YGP,YAY	YGS	GLAS SHINE BLACK
FRD	YND,YBA	YHG	00RT GRAY METALLIC
FRE	YSM,YMD	YHH	MARBLE ERAKIS RED
FRF	YSM,YME	YHL	CANDY SONOMA RED
FRG	YB1,YLF	YKH	BLUE METALLIC
HAB	YSM,YHG	YKV	BLACK METALLIC NO.2
HAC	YB3,YPA	YKZ	CANDY INDY BLUE
HAD	YTR,YMD	YLF	GRAY METALLIC
P8N	BLACK (LEATHER)	YMD	MISTIC SILVER METALLIC

COLOR NO. NO DE COULEUR	COLOR DESCRIPTION DESCRIPTION DE COULEUR	COLOR NO. NO DE COULEUR	COLOR DESCRIPTION DESCRIPTION DE COULEUR
YME	CANDY MAX ORANGE		
YMS	MAT CHROME BLACK (TAPE)		
YMY	MAT TITANIUM SILVER NO.2		
YND	MAT CHROME HIAR LINE		
YPA	PEARL MIRAGE WHITE		
YPU	CHARCOAL GRAY METALLIC		
YSB	ROUGE RED NO.3		
YSF	BLUE METALLIC		
YSM	MAT HIAR LINE CHROME NO.2		
YTR	MAT HIAR LINE CHROME BLUE		
YUS	MAT MOON SILVER METALLIC		
Y4P	MAT SILKY GRAY METALLIC		
019	BLACK		
1ZY	URBAN LIGHT GRAY METALLIC		
17U	GRAY METALLIC		
225	MONZA ORANGE		
291	BLACK (SEMI-GLOSS)		
4CX	PEARL NEBULAR BLACK		
4HX	PEARL,SUZUKI DEEP BLUE NO.2		
5AX	OORT GRAY METALLIC		
5JX	MISTIC SILVER METALLIC		
5PK	BLACK		

MILLIMETER→INCH CONVERSION CHART

	0	1	2	3	4	5	6	7	8	9
00	.000	.039	.079	.118	.157	.197	.236	.276	.315	.354
10	.394	.433	.472	.512	.551	.591	.630	.669	.709	.748
20	.787	.827	.866	.906	.945	.984	1.024	1.063	1.102	1.142
30	1.181	1.220	1.260	1.299	1.339	1.378	1.417	1.457	1.496	1.535
40	1.575	1.614	1.654	1.693	1.732	1.772	1.811	1.850	1.890	1.929
50	1.969	2.008	2.047	2.087	2.126	2.165	2.205	2.214	2.283	2.323
60	2.362	2.402	2.441	2.480	2.520	2.559	2.598	2.638	2.677	2.717
70	2.756	2.795	2.835	2.874	2.913	2.953	2.992	3.031	3.071	3.110
80	3.150	3.189	3.228	3.268	3.307	3.346	3.386	3.425	3.465	3.504
90	3.543	3.583	3.622	3.661	3.701	3.740	3.780	3.819	3.858	3.898

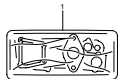
How to read

	0	1	2	3	4
00	---	---	---	---	---
10	---	---	---	---	---
20	---	---	---	0.906	---
30	---	---	---	---	---

23 millimeters equal 0.906 inch

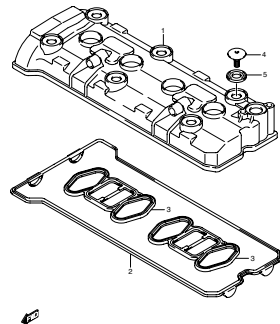
Contents are subject to change without notice or obligation.

FIG.1 GASKET SET (1-B-2)



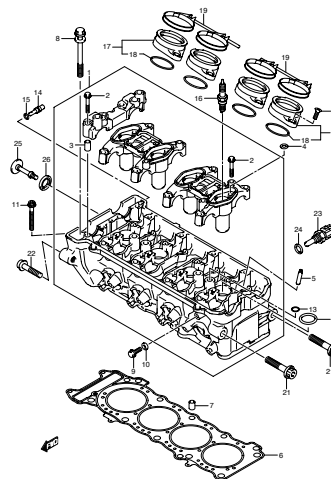
GSPR6006 024_001
GASKET SET-C

FIG.2 CYLINDER HEAD COVER (1-B-3)



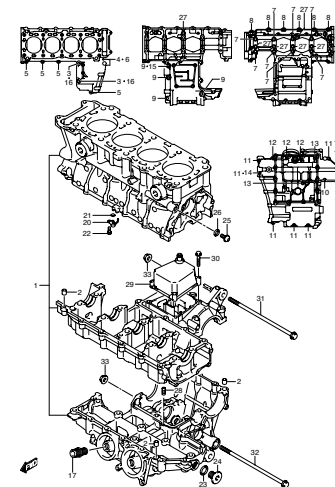
GSPR6006 024_002
CYLINDER HEAD COVER-C

FIG.3 CYLINDER HEAD (1-B-4)



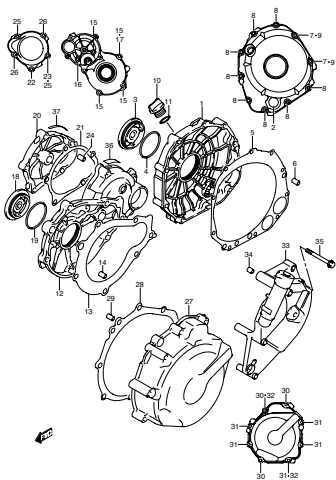
GSPR6006 024_003
CYLINDER HEAD-C

FIG.4 CRANKCASE (1-B-6)



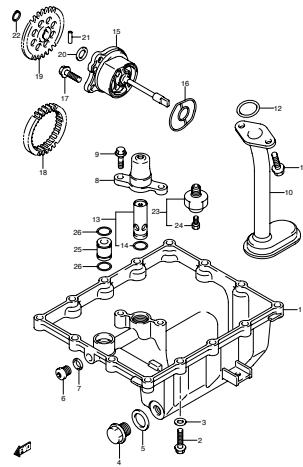
GSPR6006 024_004
CRANKCASE-C

FIG.5 CRANKCASE COVER (1-B-8)



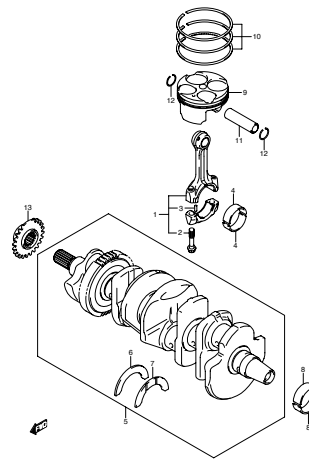
GSPR6006 024_005
CRANKCASE COVER-C

FIG.6 OIL PAN - OIL PUMP (1-B-10)



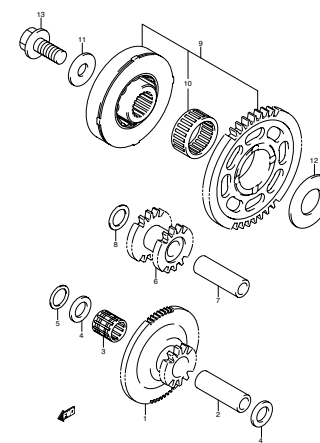
GSPR6006 024_006
OIL PAN/OIL PUMP

FIG.7 CRANKSHAFT (1-B-11)



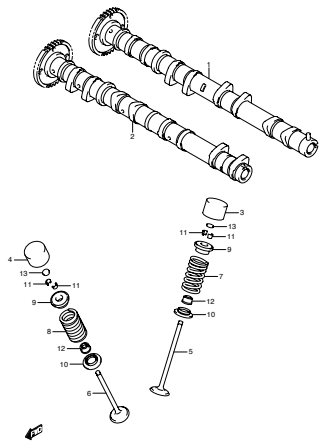
GSPR6006 024_007
CRANKSHAFT-C

FIG.8 STARTER CLUTCH (1-B-12)



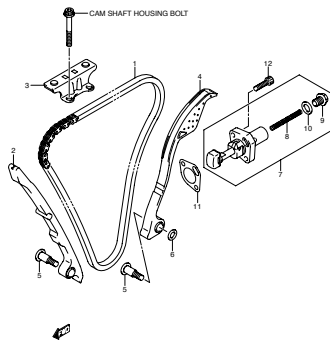
GSPR6006 024_008
STARTER CLUTCH-C

FIG.9 CAMSHAFT - VALVE (1-B-13)



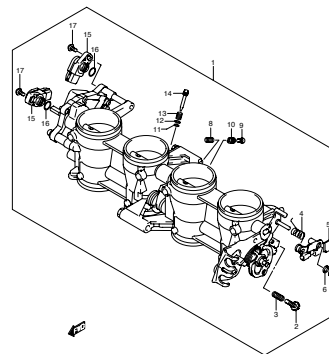
GSR600KG 024_009
CAM SHAFT/VALVE-C

FIG.10 CAM CHAIN (1-B-15)



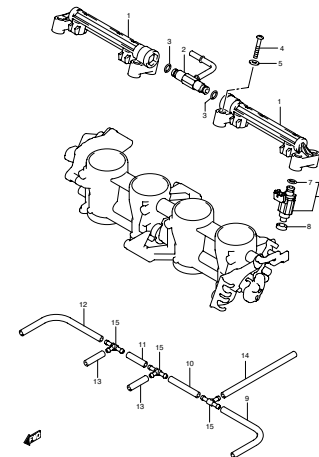
GSR600KG 024_010
CAM CHAIN-C

FIG.11 THROTTLE BODY (1-C-2)



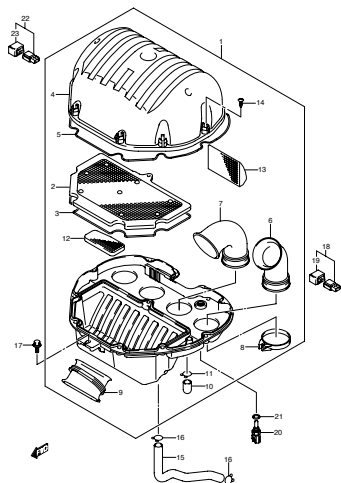
GSR600KG 024_011
THROTTLE BODY-C

FIG.12 THROTTLE BODY HOSE/JOINT (1-C-3)



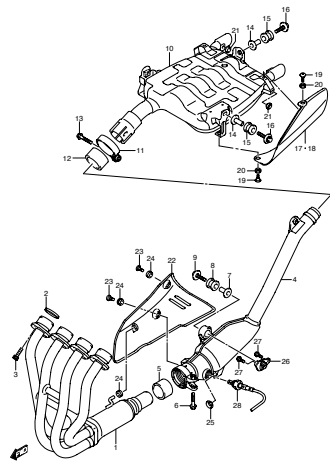
GSR600KG 024_012
THROTTLE BODY HOSE/JOINT-C

FIG.13 AIR CLEANER (1-C-4)



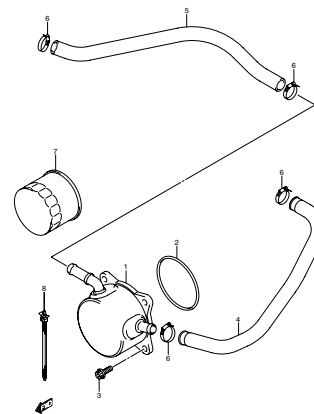
GSR600KG 024_013
AIR CLEANER

FIG.14 MUFFLER (1-C-5)



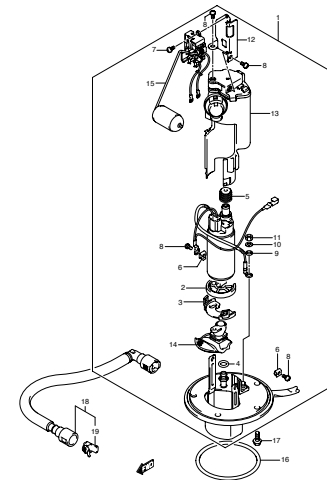
GSR600KG 024_014
MUFFLER-C

FIG.15 OIL COOLER (1-C-6)



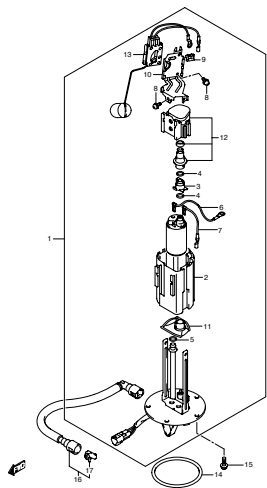
GSR600KG 024_015
OIL COOLER-C

FIG.16 FUEL PUMP (MODEL K6/K7/K8) (1-C-7)



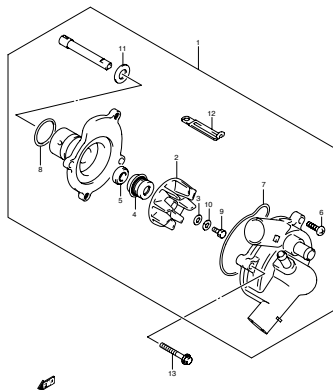
GSR600KG 024_016
FUEL PUMP

FIG.16A FUEL PUMP (MODEL K9/L0) (1-C-8)



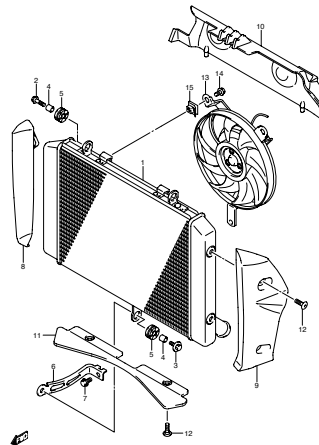
GSR600K 024_016A
FUEL PUMP

FIG.17 WATER PUMP (1-C-9)



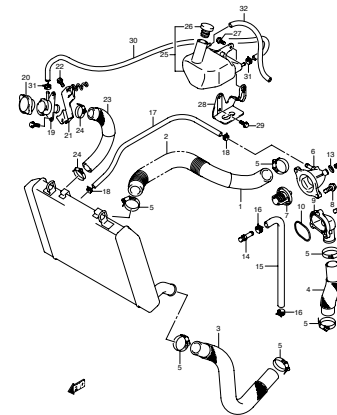
GSR600K 024_017
WATER PUMP

FIG.18 RADIATOR (1-C-10)



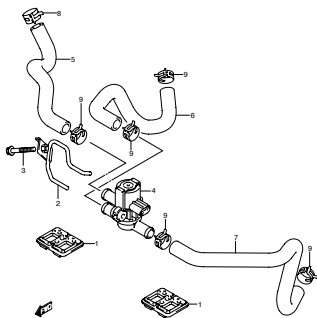
GSR600K 024_018
RADIATOR-C

FIG.19 RADIATOR HOSE (1-C-11)



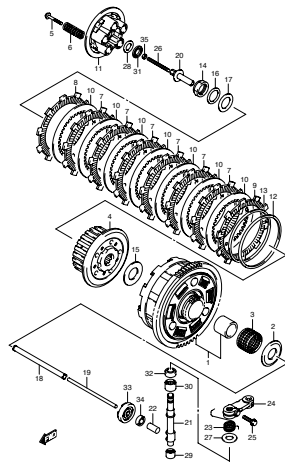
GSR600K 024_019
RADIATOR HOSE-C

FIG.20 2ND AIR (1-C-13)



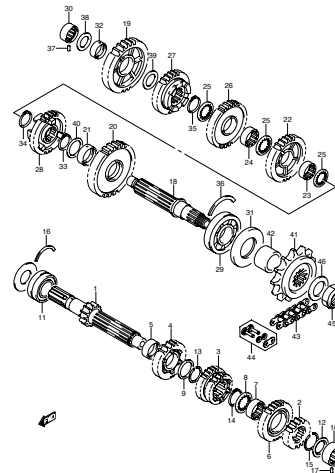
GSR600K 024_020
2ND AIR-C

FIG.21 CLUTCH (1-C-14)



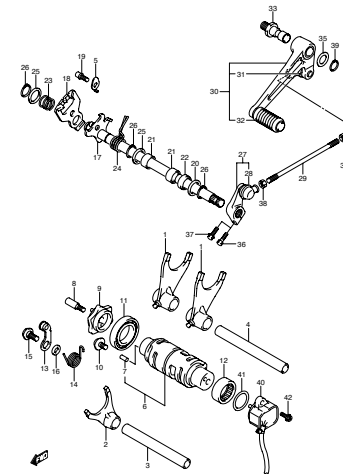
GSR600K 024_021
CLUTCH

FIG.22 TRANSMISSION (1-D-2)



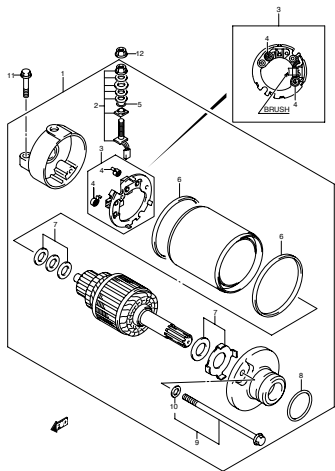
GSR600K 024_022
TRANSMISSION-C

FIG.23 GEAR SHIFTING (1-D-4)



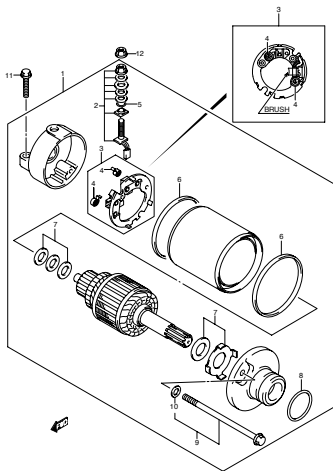
GSR600K 024_023
GEAR SHIFTING

FIG.24 STARTING MOTOR (MODEL K6/K7) (1-D-6)



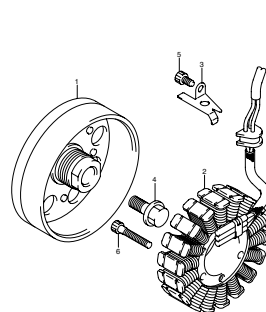
GSR600K6 024_024
STARTING MOTOR-C

FIG.24A STARTING MOTOR (MODEL K8/K9/L0) (1-D-7)



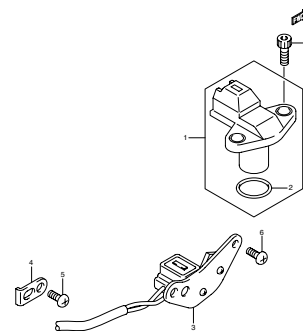
GSR600K6 024_024A
STARTING MOTOR

FIG.25 GENERATOR (1-D-8)



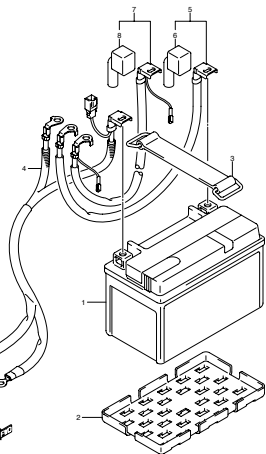
GSR600K6 024_025
GENERATOR-C

FIG.26 SIGNAL GENERATOR (1-D-9)



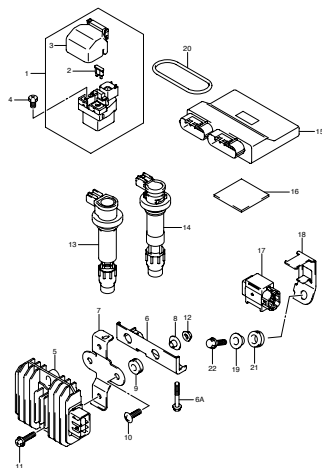
GSR600K6 024_026
SIGNAL GENERATOR-C

FIG.27 BATTERY (1-D-10)



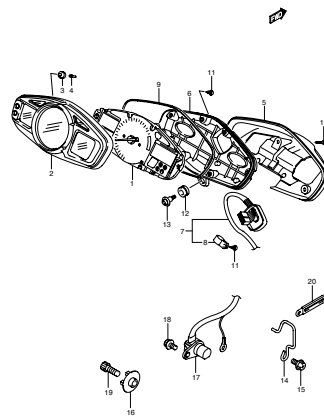
GSR600K6 024_027
BATTERY-C

FIG.28 ELECTRICAL (1-D-11)



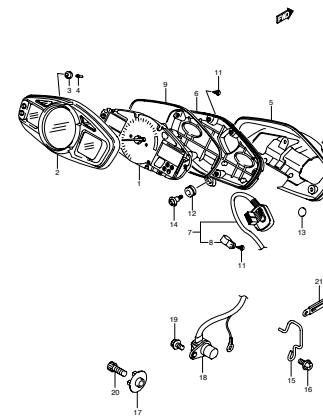
GSR600K6 024_028
ELECTRICAL

FIG.29 SPEEDOMETER (GSR600K6/K7) (1-D-12)



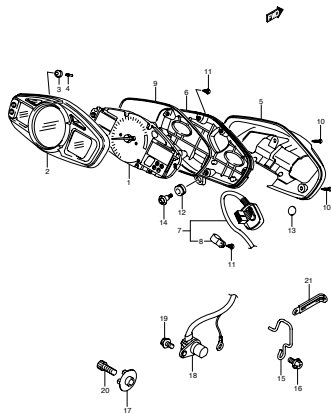
GSR600K6 024_029
SPEEDOMETER

FIG.29A SPEEDOMETER (GSR600AK7/AK8) (1-D-13)



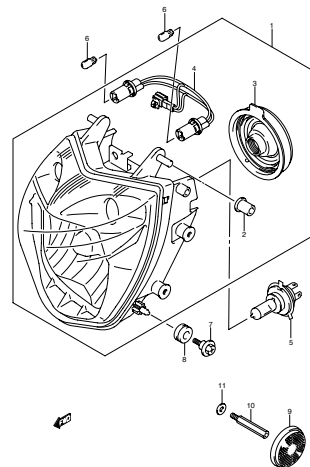
GSR600K6 024_029A
SPEEDOMETER

FIG.29B SPEEDOMETER (GSR600AK9/AL0) (1-D-14)



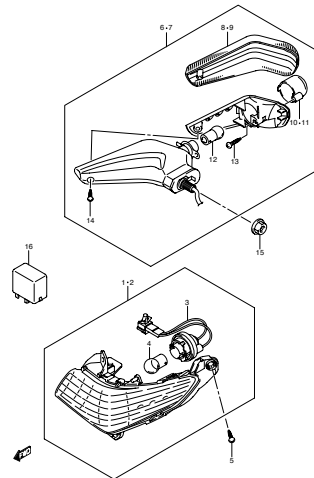
GSR600K6 024_029B
SPEEDOMETER

FIG.30 HEADLAMP (1-D-15)



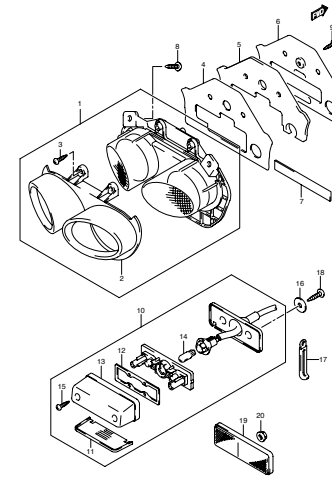
GSR600K6 024_030
HEAD LAMP-C

FIG.31 TURNSIGNAL LAMP (1-E-2)



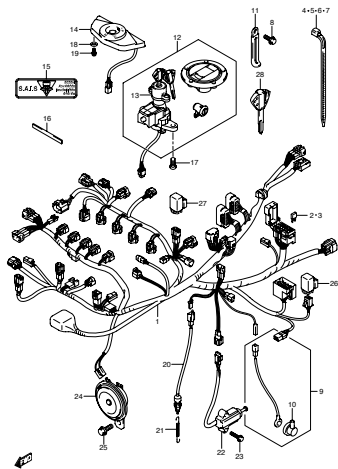
GSR600K6 024_031
TURNSIGNAL LAMP

FIG.32 REAR COMBINATION LAMP (1-E-3)



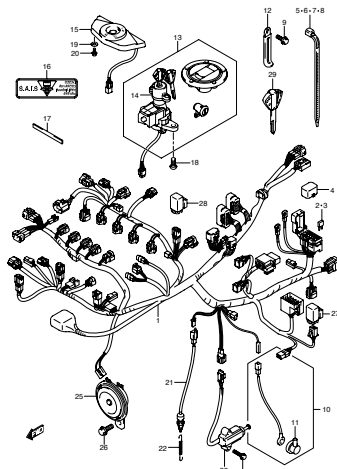
GSR600K6 024_032
TAIL LAMP-C

FIG.33 WIRING HARNESS (GSR600K6/K7) (1-E-4)



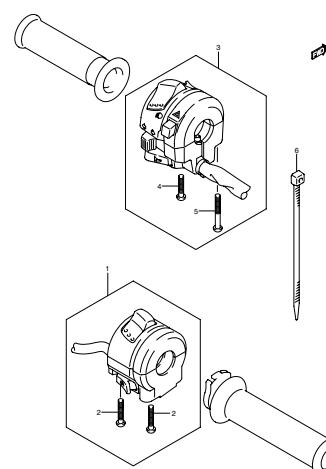
GSR600K6 024_033
WIRING HARNESS

FIG.33A WIRING HARNESS (GSR600AK7/ AK8/AK9/AL0) (1-E-5)



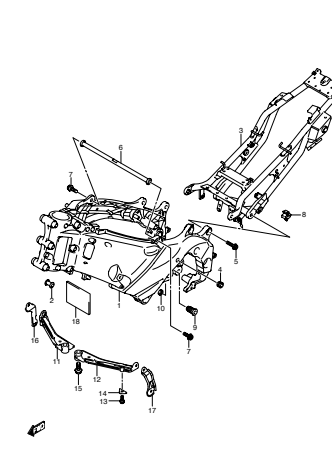
GSR600K6 024_033A
WIRING HARNESS

FIG.34 HANDLE SWITCH (1-E-6)



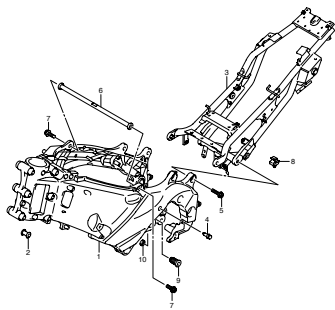
GSR600K6 024_034
HANDLE SWITCH-C

FIG.35 FRAME (GSR600K6/K7) (1-E-7)



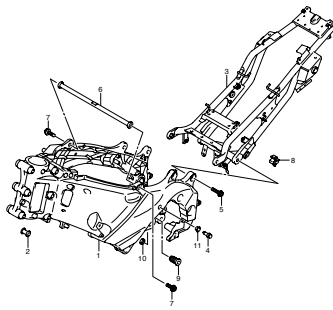
GSR600K6 024_035
FRAME

FIG.35A FRAME (GSR600AK7) (1-E-9)



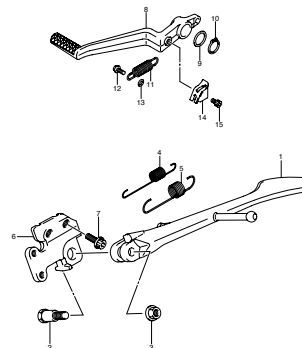
GSR600K6 024_035A
FRAME

FIG.35B FRAME (GSR600AK8/AK9/AL0) (1-E-10)



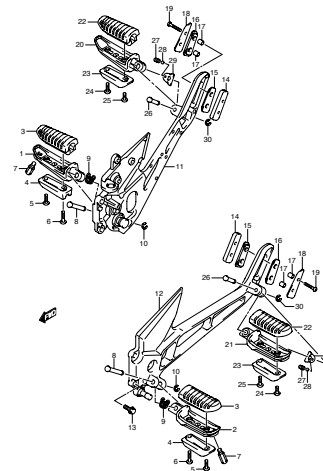
GSR600K6 024_035B
FRAME

FIG.36 STAND (1-E-11)



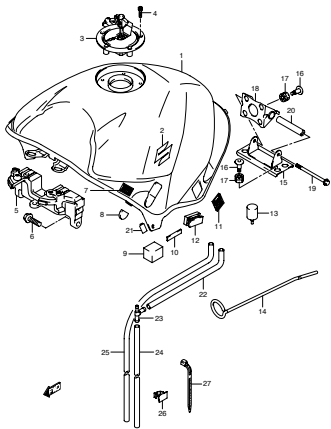
GSR600K6 024_036
STAND-C

FIG.37 FOOTREST (1-E-12)



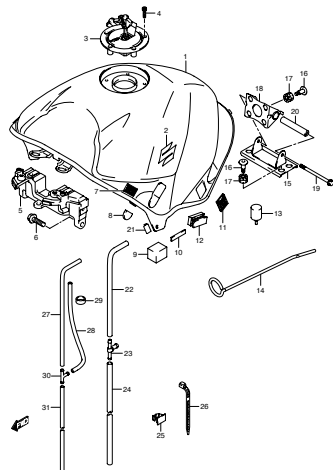
GSR600K6 024_037
FOOTREST-C

FIG.38 FUEL TANK (MODEL K6/K7) (1-E-13)



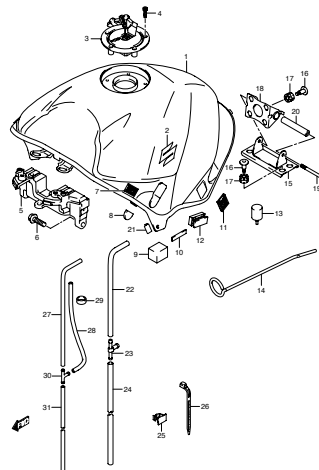
GSR600K6 024_038
FUEL TANK-C

FIG.38A FUEL TANK (MODEL K8) (1-E-15)



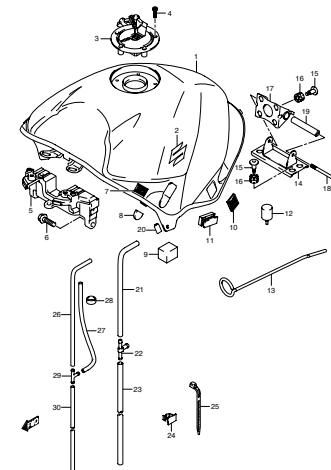
GSR600K6 024_038A
FUEL TANK

FIG.38B FUEL TANK (MODEL K9) (1-F-3)



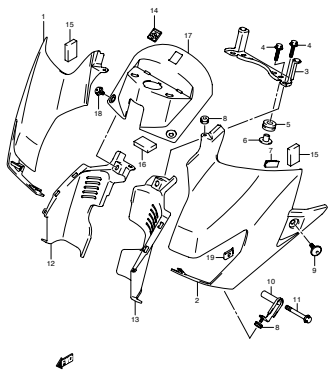
GSR600K6 024_038B
FUEL TANK

FIG.38C FUEL TANK (MODEL L0) (1-F-5)



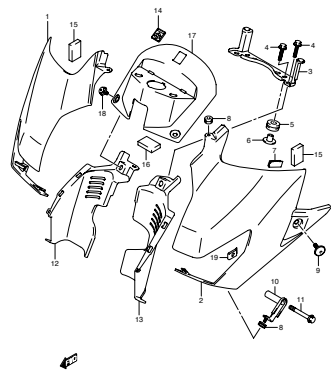
GSR600K6 024_038C
FUEL TANK

FIG.39 FUEL TANK SIDE COVER (MODEL K6/ K7) (1-F-7)



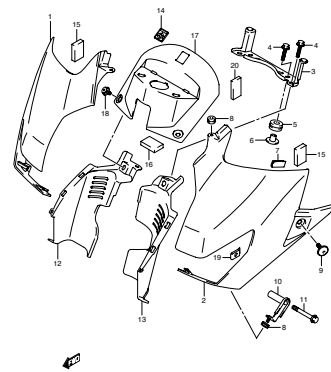
GSR600K6 024_039
FUEL TANK SIDE COVER-C

FIG.39A FUEL TANK SIDE COVER (MODEL K8) (1-F-8)



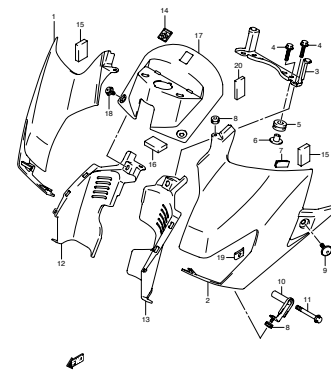
GSR600K6 024_039A
FUEL TANK SIDE COVER

FIG.39B FUEL TANK SIDE COVER (MODEL K9) (1-F-9)



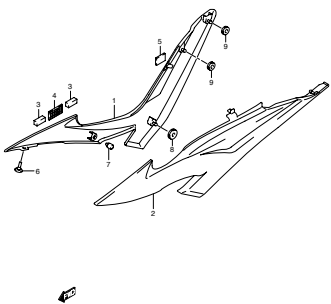
GSR600K6 024_039B
FUEL TANK SIDE COVER

FIG.39C FUEL TANK SIDE COVER (MODEL L0) (1-F-10)



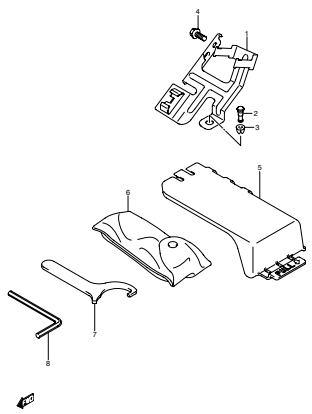
GSR600K6 024_039C
FUEL TANK SIDE COVER

FIG.40 FRAME COVER (1-F-11)



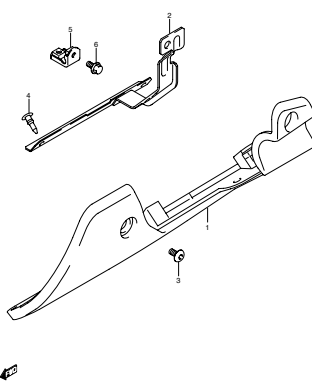
GSR600K6 024_040
FRAME COVER-C

FIG.41 HOLDER (1-F-12)



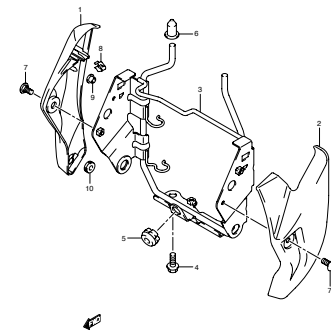
GSR600K6 024_041
HOLDER-C

FIG.42 UNDER COWLING (1-F-13)



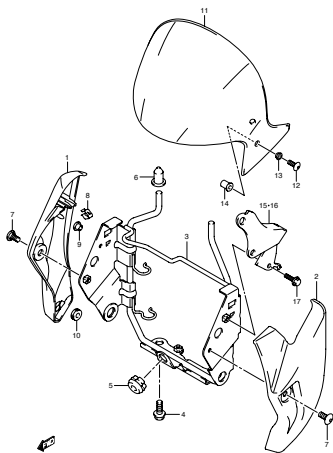
GSR600K6 024_042
UNDER COWLING-C

FIG.43 HEADLAMP COVER (MODEL K6/K7) (1-F-14)



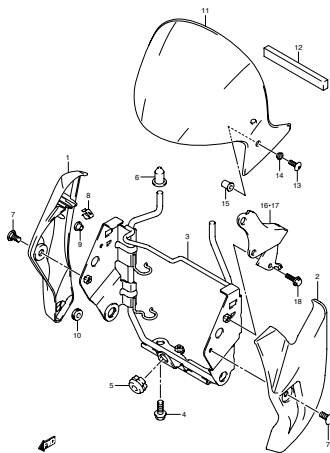
GSR600K6 024_043
HEADLAMP COVER-C

FIG.43A HEADLAMP COVER (MODEL K8)
(1-F-15)



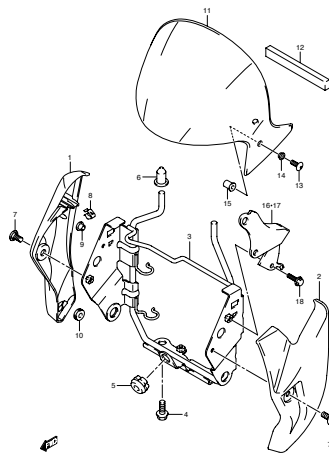
GSR600K6 024_043A
HEADLAMP COVER

FIG.43B HEADLAMP COVER (MODEL K9)
(1-G-2)



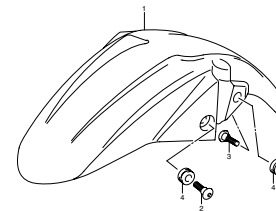
GSR600K6 024_043B
HEADLAMP COVER

FIG.43C HEADLAMP COVER (MODEL L0)
(1-G-3)



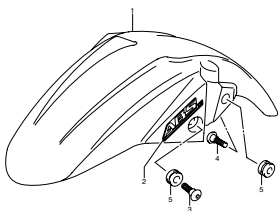
GSR600K6 024_043C
HEADLAMP COVER

FIG.44 FRONT FENDER (GSR600K6/K7)
(1-G-4)



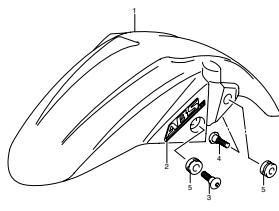
GSR600K6 024_044
FRONT FENDER-C

FIG.44A FRONT FENDER (GSR600AK7) (1-G-5)



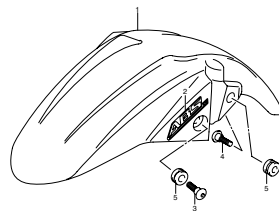
GSR600K6 024_044A
FRONT FENDER-C

FIG.44B FRONT FENDER (GSR600AK8) (1-G-6)



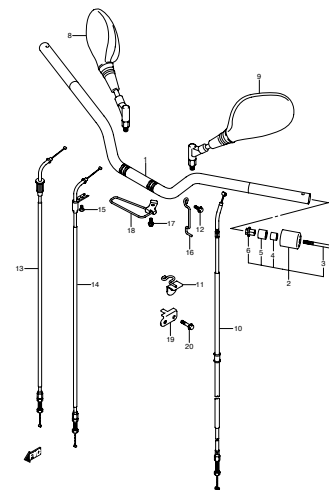
GSR600K6 024_044B
FRONT FENDER

FIG.44C FRONT FENDER (GSR600AK9/AL0)
(1-G-7)



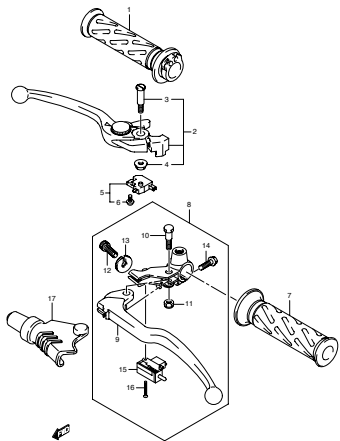
GSR600K6 024_044C
FRONT FENDER

FIG.45 HANDLEBAR (1-G-8)



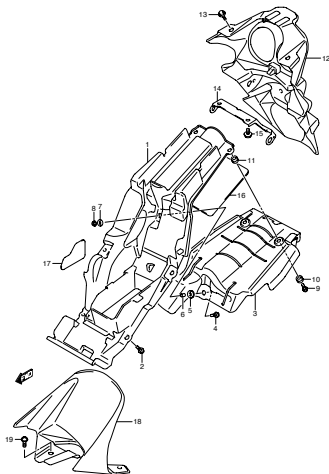
GSR600K6 024_045
HANDLE BAR-C

FIG.46 HANDLE LEVER (1-G-9)



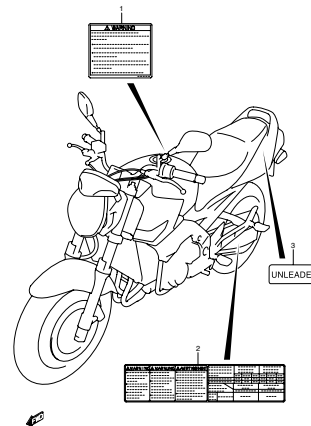
GSPR600K6 024_046
HANDLE LEVER-C

FIG.47 REAR FENDER (1-G-10)



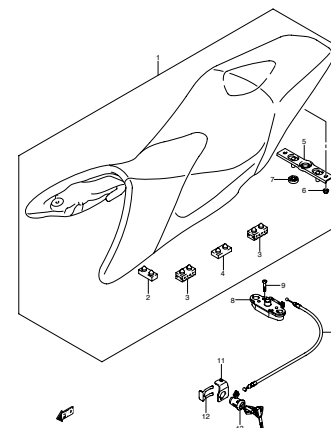
GSPR600K6 024_047
REAR FENDER-C

FIG.48 LABEL (1-G-11)



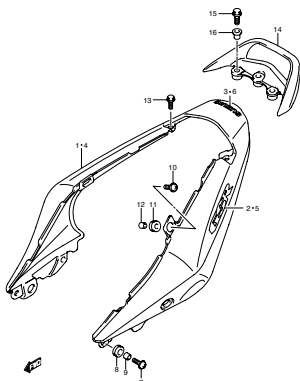
GSPR600K6 024_048
LABEL-C

FIG.49 SEAT (1-G-12)



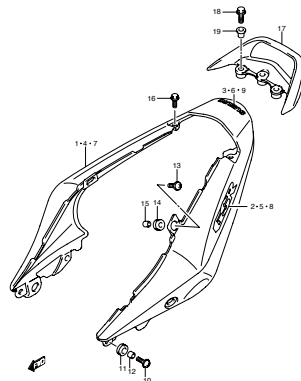
GSPR600K6 024_049
SEAT-C

FIG.50 SEAT TAIL COVER (MODEL K6) (1-G-13)



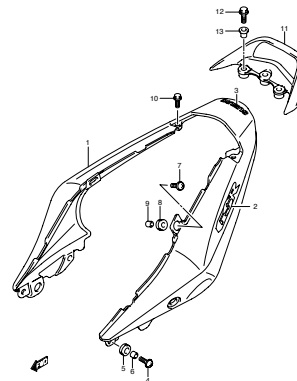
GSPR600K6 024_050
SEAT TAIL COVER-C

FIG.50A SEAT TAIL COVER (MODEL K7) (1-G-14)



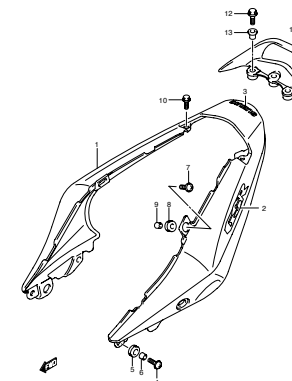
GSPR600K6 024_050A
SEAT TAIL COVER-C

FIG.50B SEAT TAIL COVER (MODEL K8) (1-G-15)



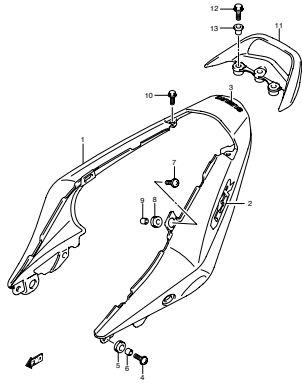
GSPR600K6 024_050B
SEAT TAIL COVER

FIG.50C SEAT TAIL COVER (MODEL K9) (1-H-2)



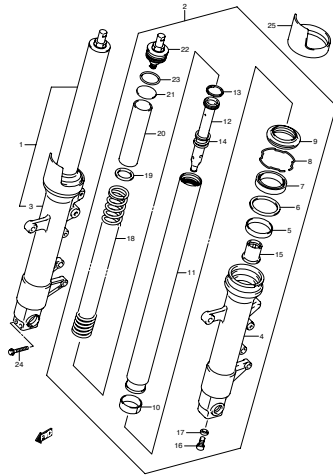
GSPR600K6 024_050C
SEAT TAIL COVER

FIG.50D SEAT TAIL COVER (MODEL L0) (1-H-3)



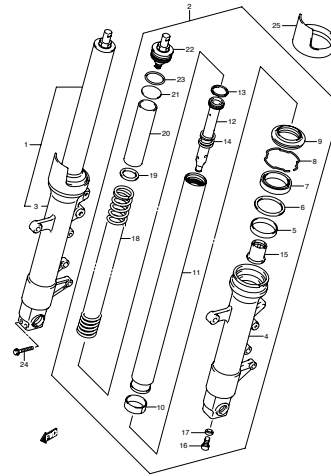
GSR600K6 024_050D
SEAT TAIL COVER

FIG.51 FRONT DAMPER (GSR600K6/K7/AK7) (1-H-4)



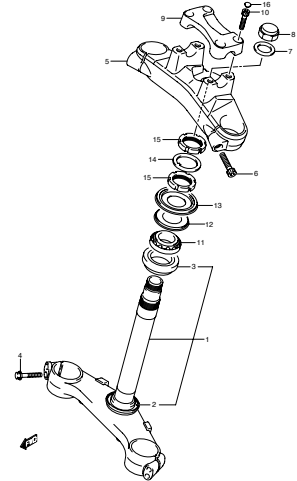
GSR600K6 024_051
FRONT DAMPER-C

FIG.51A FRONT DAMPER (GSR600AK8/AK9/AL0) (1-H-5)



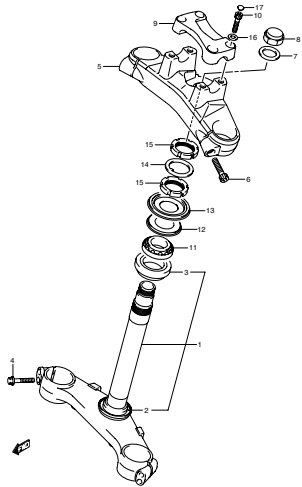
GSR600K6 024_051A
FRONT DAMPER

FIG.52 STEERING STEM (GSR600K6/K7) (1-H-6)



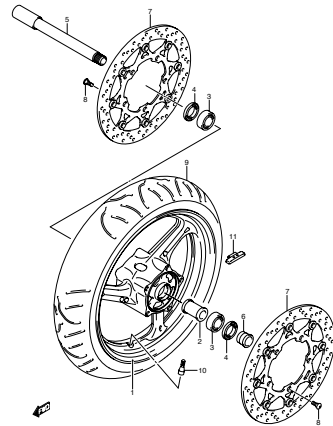
GSR600K6 024_052
STEERING STEM-C

FIG.52A STEERING STEM (GSR600AK7/AK8/AK9/AL0) (1-H-7)



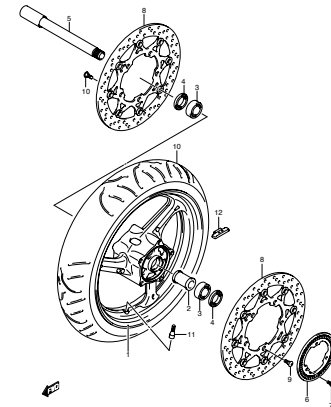
GSR600K6 024_052A
STEERING STEM-C

FIG.53 FRONT WHEEL (GSR600K6/K7) (1-H-8)



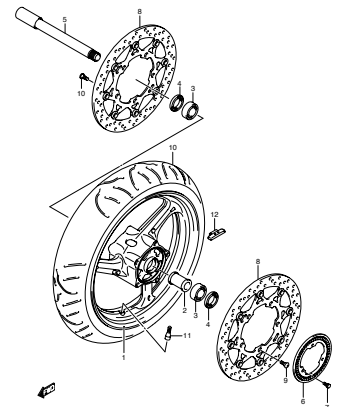
GSR600K6 024_053
FRONT WHEEL-C

FIG.53A FRONT WHEEL (GSR600AK7/AK8/AK9) (1-H-9)



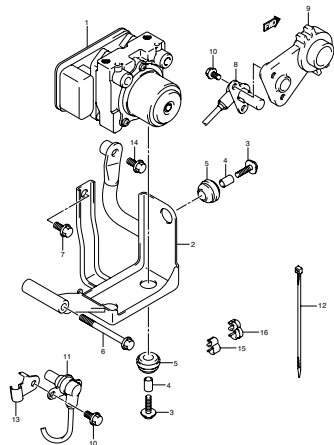
GSR600K6 024_053A
FRONT WHEEL

FIG.53B FRONT WHEEL (GSR600AL0) (1-H-10)



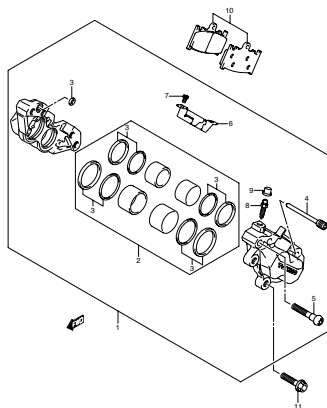
GSR600K6 024_053B
FRONT WHEEL

FIG.53C HYDRAULIC UNIT (GSR600AK7/ AK8/AK9/ALO) (1-H-11)



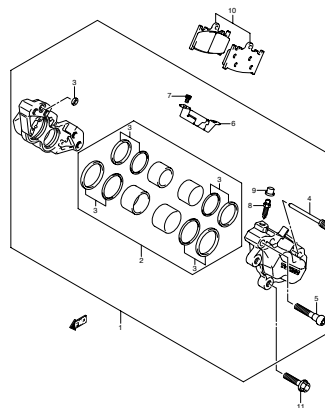
GSR600K6 024_053C
HYDRAULIC UNIT

FIG.54 FRONT CALIPER (GSR600K6/K7) (1-H-12)



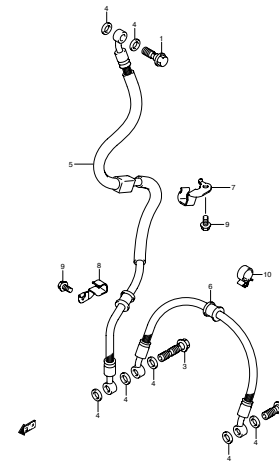
GSR600K6 024_054
FRONT CALIPER-C

FIG.54A FRONT CALIPER (GSR600AK7/AK8/ AK9/ALO) (1-H-13)



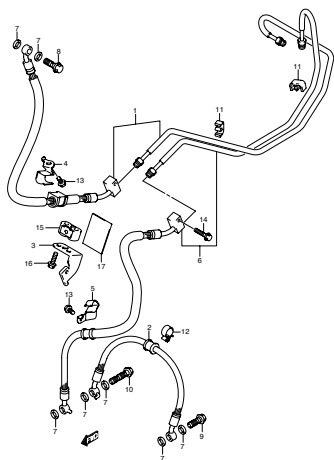
GSR600K6 024_054A
FRONT CALIPER-C

FIG.55 FRONT BRAKE HOSE (GSR600K6/K7) (1-H-14)



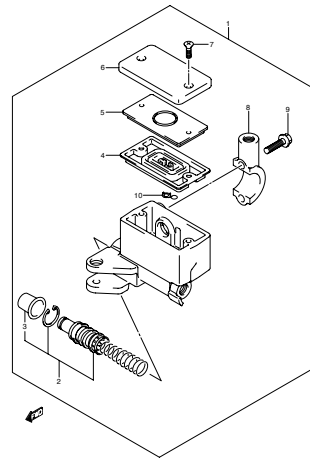
GSR600K6 024_055
FRONT BRAKE HOSE-C

FIG.55A FRONT BRAKE HOSE (GSR600AK7/ AK8/AK9/ALO) (1-H-15)



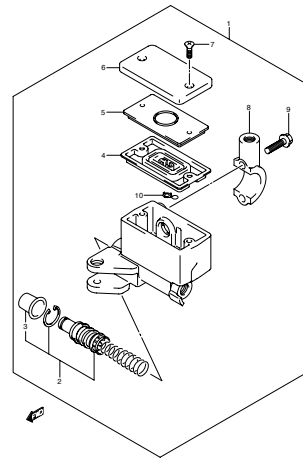
GSR600K6 024_055A
FRONT BRAKE HOSE-C

FIG.56 FRONT MASTER CYLINDER (GSR600K6/K7) (1-I-2)



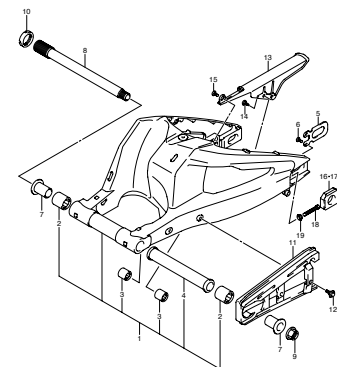
GSR600K6 024_056
FRONT MASTER CYLINDER-C

FIG.56A FRONT MASTER CYLINDER (GSR600AK7/AK8/AK9/ALO) (1-I-3)



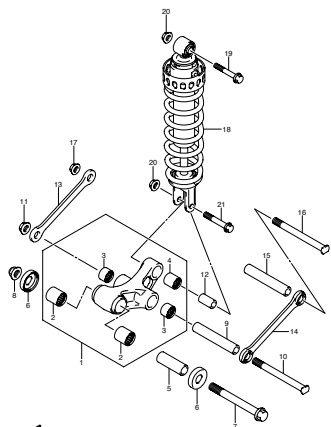
GSR600K6 024_056A
FRONT MASTER CYLINDER-C

FIG.57 REAR SWINGING ARM (1-I-4)



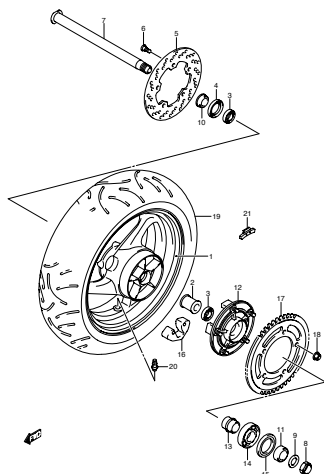
GSR600K6 024_057
REAR SWINGING ARM-C

FIG.58 REAR CUSHION LEVER (1-I-5)



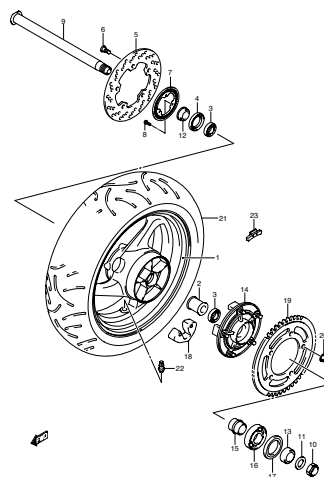
GSR600K6 024_058
REAR CUSHION LEVER-C

FIG.59 REAR WHEEL (GSR600K6/K7) (1-I-6)



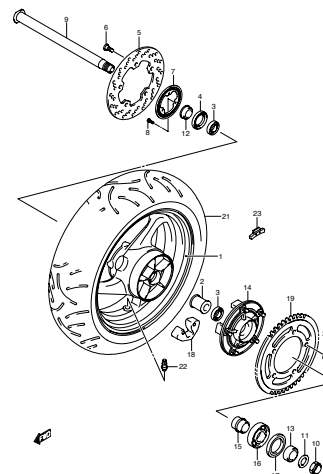
GSR600K6 024_059
REAR WHEEL-C

FIG.59A REAR WHEEL (GSR600AK7/AK8/AK9) (1-I-7)



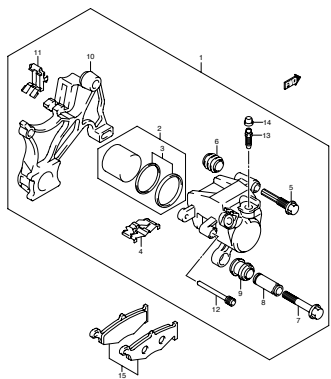
GSR600K6 024_059A
REAR WHEEL-C

FIG.59B REAR WHEEL (GSR600AL0) (1-I-8)



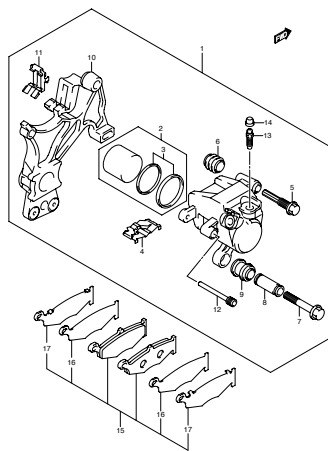
GSR600K6 024_059B
REAR WHEEL

FIG.60 REAR CALIPER (GSR600K6/K7) (1-I-9)



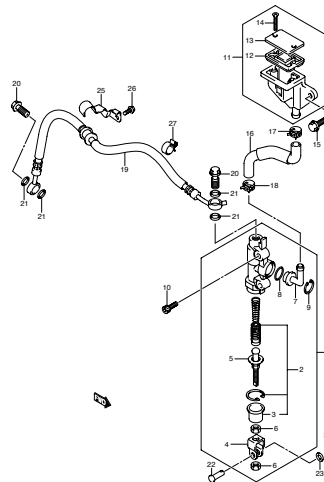
GSR600K6 024_060
REAR CALIPER-C

FIG.60A REAR CALIPER (GSR600AK7/AK8/AK9/AL0) (1-I-10)



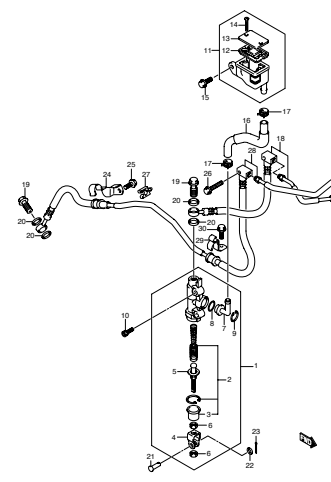
GSR600K6 024_060A
REAR CALIPER-C

FIG.61 REAR MASTER CYLINDER (GSR600K6/K7) (1-I-11)



GSR600K6 024_061
REAR MASTER CYLINDER-C

FIG.61A REAR MASTER CYLINDER (GSR600AK7/AK8/AK9/AL0) (1-I-12)



GSR600K6 024_061A
REAR MASTER CYLINDER

FIG.1

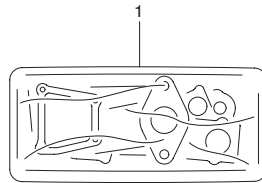


FIG.1 (1-B-2) GASKET SET

REF NO.	PART NO.	DESCRIPTION	Q'TY		REMARKS
1	11402-44832	GASKET SET	1	OPT	
2	11141-29G00	·GASKET, CYLINDER HEAD	1	NOT SHOWN	
3	11173-29G00	·GASKET, CYLINDER HEAD COVER NO.1	1	NOT SHOWN	
4	11178-29G00	·GASKET, CYLINDER HEAD COVER NO.2	2	NOT SHOWN	
5	11482-40F00	·GASKET, CLUTCH COVER	1	NOT SHOWN	
6	11483-18G00	·GASKET, MAGNETO COVER	1	NOT SHOWN	
7	11491-33E02	·GASKET, STARTER CLUTCH COVER	1	NOT SHOWN	
8	11492-33E00	·GASKET, STARTER IDLE GEAR CAP	1	NOT SHOWN	
9	12837-18G00	·GASKET, TENSIONER ADJUSTER	1	NOT SHOWN	
10	14181-46E00	·GASKET, EXHAUST PIPE	4	NOT SHOWN	
11	15201-35F00	·O RING, FUEL PUMP	1	NOT SHOWN	
12	16491-35F00	·O RING, OIL PUMP	1	NOT SHOWN	
13	11191-27E00	·WASHER, HEAD COVER	6	NOT SHOWN	
14	09280-17003	·O RING	1	NOT SHOWN	
15	09280-19008	·O RING, OIL STRAINER	1	NOT SHOWN	
16	09280-33004	·O RING, CRANKSHAFT HOLE PLUG	1	NOT SHOWN	

FIG.2

FIG.2 (1-B-3) CYLINDER HEAD COVER

REF NO.	PART NO.	DESCRIPTION	Q'TY	REMARKS
1	11171-44G00	COVER, CYLINDER HEAD	1	
2	11173-29G00	GASKET, HEAD COVER NO.1	1	
3	11178-29G00	GASKET, HEAD COVER NO.2	2	
4	09106-07009	BOLT (7X17.5)	6	
5	11191-27E00	WASHER	6	

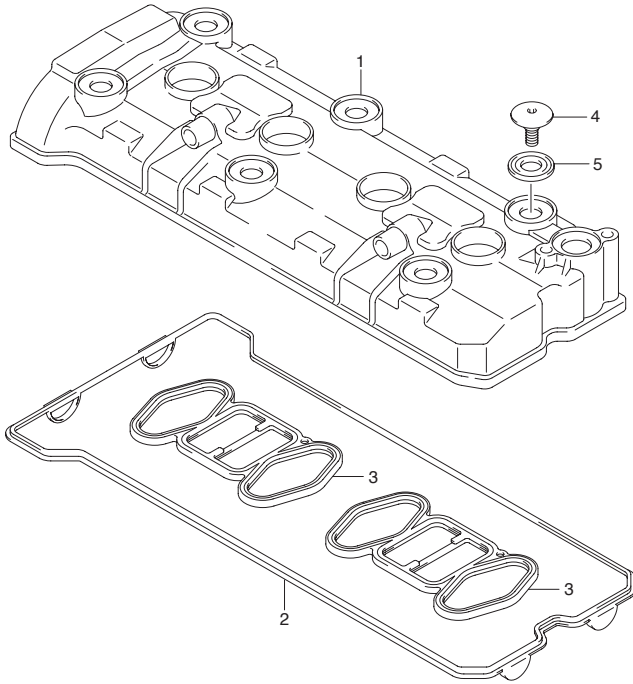


FIG.3

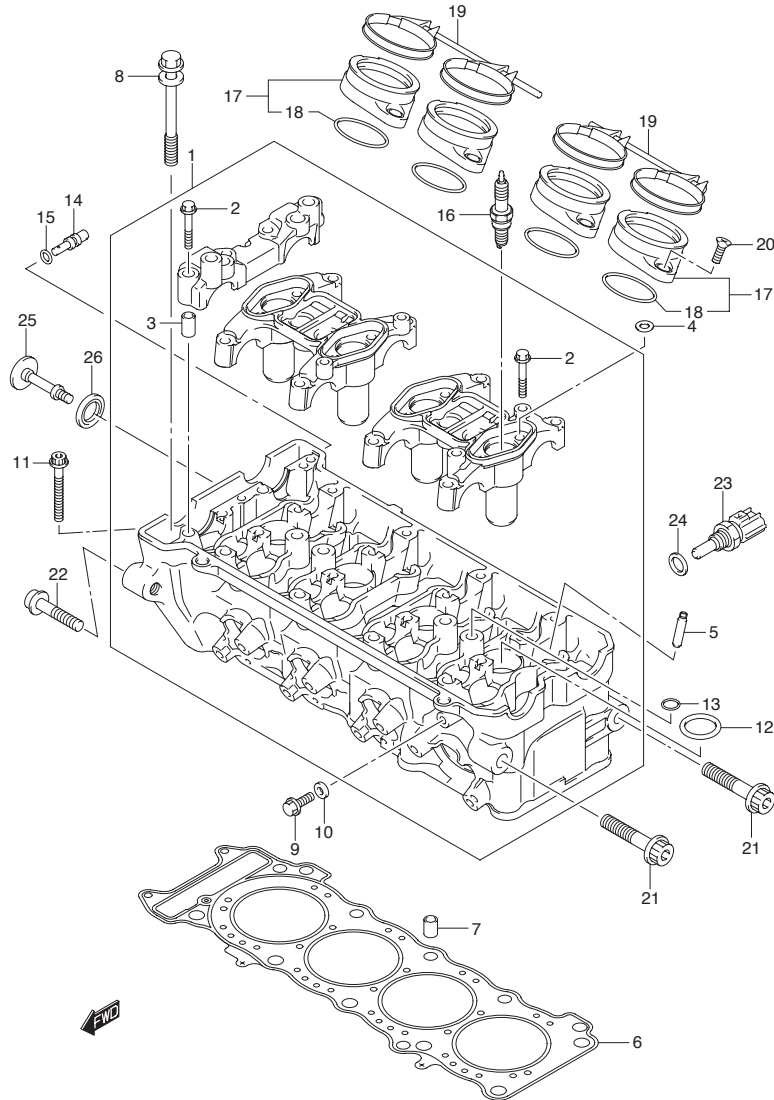


FIG.3 (1-B-4) CYLINDER HEAD

REF NO.	PART NO.	DESCRIPTION	Q'TY	REMARKS
1-1	11100-44G00	HEAD ASSY, CYLINDER	1	MODEL K6/K7/K8
1-2	11100-44G10	HEAD ASSY, CYLINDER	1	MODEL K9/L0
2	09103-06266	·BOLT	20	
3	09206-08007	·PIN	6	
4	09168-06018	WASHER	8	
5	11115-11D70	GUIDE, VALVE (OS 0.5)	16	OPT
6	11141-29G00	GASKET, CYLINDER HEAD	1	
7	04211-11169	PIN	2	
8	11117-29G00	BOLT (10X95)	10	
9	09103-06222	BOLT, OIL GALLERY	1	
10	09168-06023	GASKET	1	
11	07120-0650B	BOLT, CYLINDER HEAD	2	
12	11179-81402	O RING, SPARK PLUG PIPE	4	
13	09280-11001	O RING	4	
14	09493-80005	JET, OIL	1	
15	09280-04004	O RING	1	
16-1	09482-00458	SPARK PLUG (NGK, CR9E)	4	
16-2	09482-00459	SPARK PLUG (DENSO, U27ESR-N)	4	
16-3	09482-00456	SPARK PLUG (NGK, CR8E)	4	OPT
16-4	09482-00460	SPARK PLUG (NGK, CR10E)	4	OPT
16-5	09482-00457	SPARK PLUG (DENSO, U24ESR-N)	4	OPT
16-6	09482-00461	SPARK PLUG (DENSO, U31ESR-N)	4	OPT

FIG.3

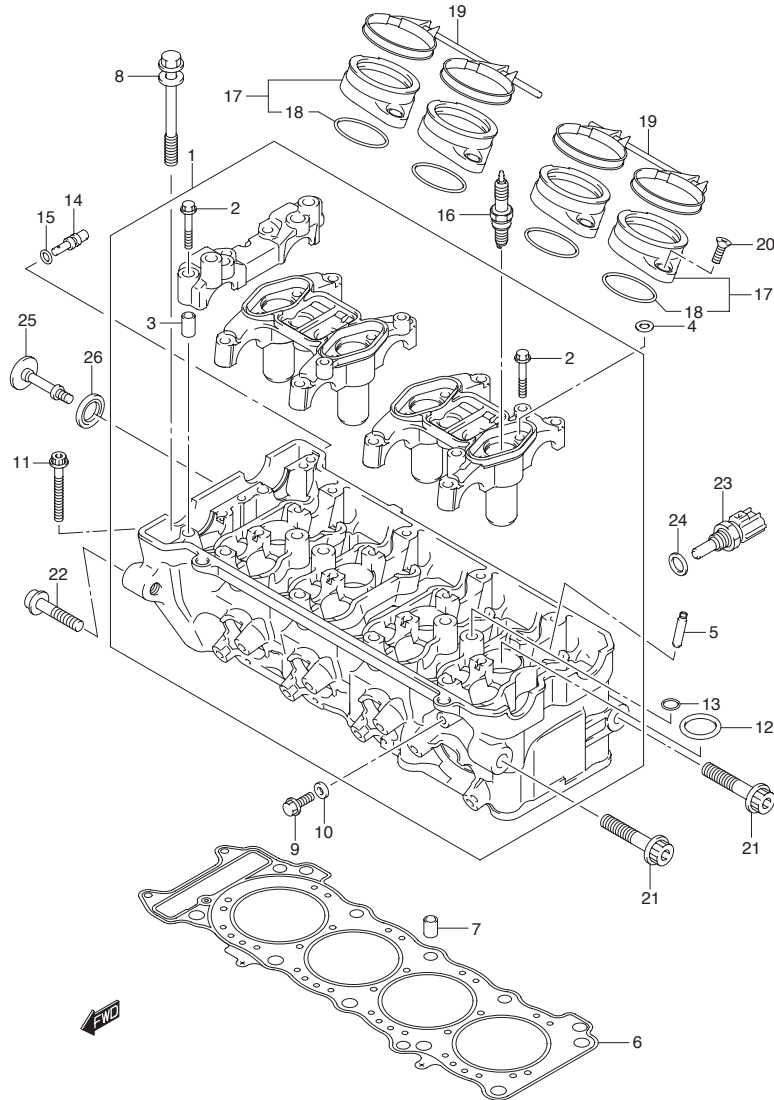


FIG.3 (1-B-5) CYLINDER HEAD

REF NO.	PART NO.	DESCRIPTION	Q'TY	REMARKS
17	13101-29G00	PIPE, INTAKE	4	
18	09280-42003	O RING (D:2.40, ID:41.7)	4	
19	13170-29G02	CLAMP, INTAKE PIPE	2	
20	02122-0616B	SCREW	8	
21	09106-10070	BOLT, ENG MTG HEAD (10X55)	2	
22	09106-10066	BOLT, ENG MTG HEAD (10X40)	1	
23	13650-10G00	SENSOR, WATER TEMPERATURE	1	
24	09168-12017	GASKET	1	
25	11161-33E00	BOLT	1	
26	11191-13E00	WASHER	1	

2

FIG.4

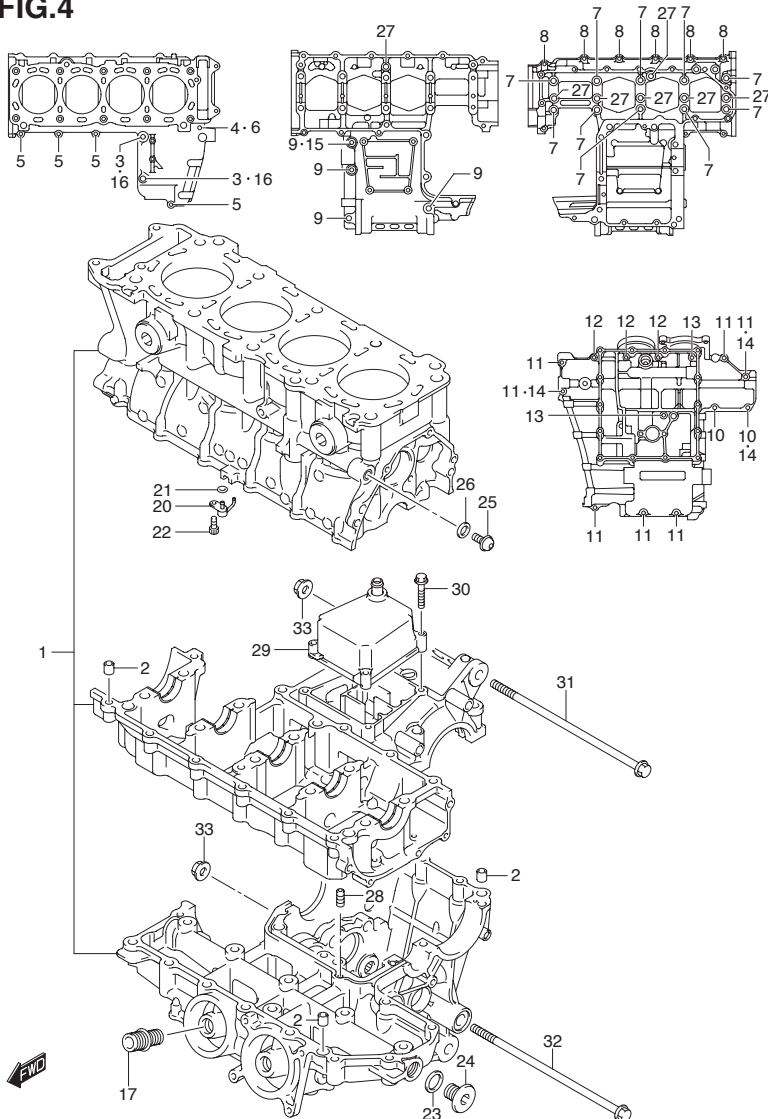


FIG.4 (1-B-6) CRANKCASE

REF NO.	PART NO.	DESCRIPTION	Q'TY	REMARKS
1-1	11302-44821	CRANKCASE SET	1	MODEL K6/K7/K8
1-2	11302-44830	CRANKCASE SET	1	MODEL K9/L0
2	11319-33E50	·PIN	6	
3	09106-08139	·BOLT (8X120)	2	
4	09168-06023	·GASKET (5.8X13X1.2)	1	
5	01547-0635A	·BOLT	4	
6	01547-0680A	·BOLT	1	
7	09103-09012	·BOLT (9X95)	10	
8	01547-0640A	·BOLT	6	
9	07120-0865A	·BOLT	4	
10	01547-0630A	·BOLT	2	
11	01547-0640A	·BOLT	7	
12	01547-0660A	·BOLT	3	
13	01547-0670A	·BOLT	2	
14	09168-06023	·GASKET (5.8X13X1.2)	3	
15	09168-08016	·GASKET (8.2X14X1)	1	
16	09168-08016	·GASKET (8.2X14X1)	2	
17	16591-06B01	·UNION, OIL FILTER STAND	1	
18	12228-17E00-0D0	·BEARING, THRUST RH (GREEN)	1	SEE ILLUSTRATION ON FIG.7
19-1	12228-17E00-0A0	·BEARING, THRUST LH (RED)	1	SEE ILLUSTRATION ON FIG.7
19-2	12228-17E00-0B0	·BEARING, THRUST LH (BLACK)	1	
19-3	12228-17E00-0C0	·BEARING, THRUST LH (BLUE)	1	
19-4	12228-17E00-0D0	·BEARING, THRUST LH (GREEN)	1	
19-5	12228-17E00-0E0	·BEARING, THRUST LH (YELLOW)	1	
19-6	12228-17E00-0F0	·BEARING, THRUST LH (WHITE)	1	

FIG.4

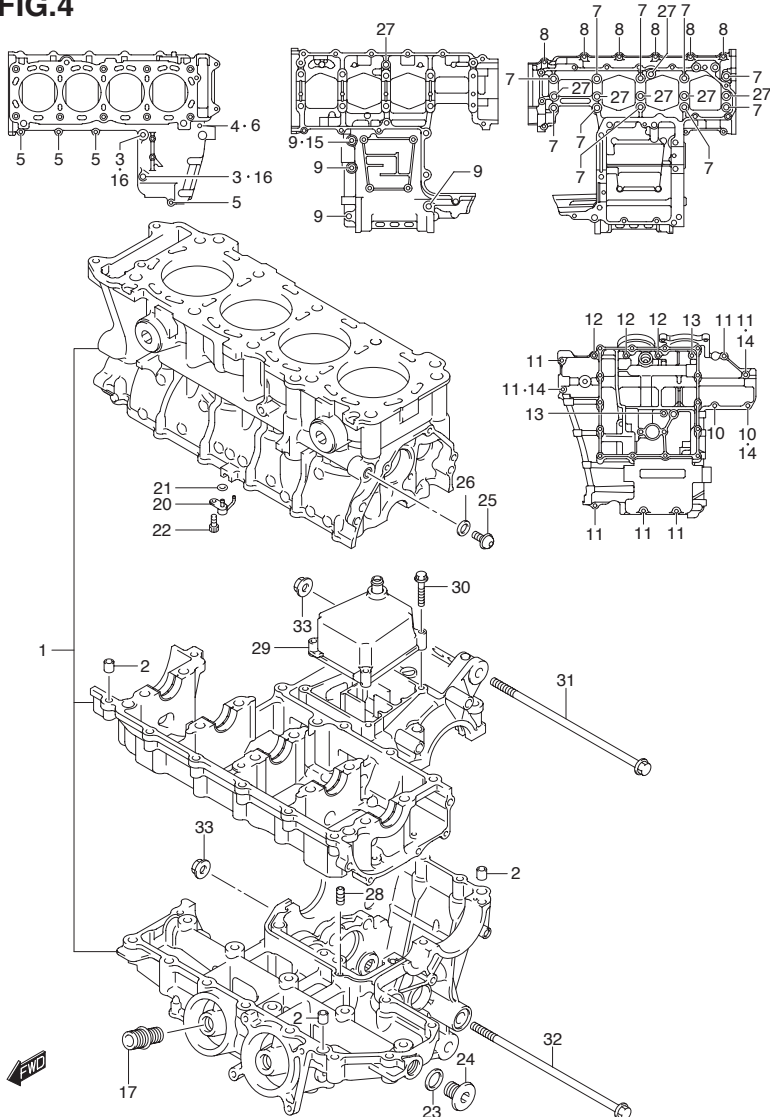


FIG.4 (1-B-7) CRANKCASE

REF NO.	PART NO.	DESCRIPTION	Q'TY	REMARKS
20	11390-35F00	JET, PISTON COOLING	4	
21	09280-04004	O RING (D:1.2, ID:4.0)	4	
22	09106-06075	BOLT, PISTON COOLING	4	
23	09168-16002	GASKET	3	
24	09248-16013	PLUG, OIL GALLERY	3	
25	09248-10010	PLUG, OIL GALLERY UPPER LH	1	
26	09168-10002	GASKET, OIL GALLERY	1	
27	09280-08012	O RING (D:1.9, ID:7.8)	7	
28	09493-28012	JET	1	
29	11370-44G00	COVER, BREATHER	1	
30	01547-0635A	BOLT	4	
31	09103-10153	BOLT (10X305)	1	
32	09103-10221	BOLT (10X240)	1	
33	09159-10115	NUT	2	

FIG.5

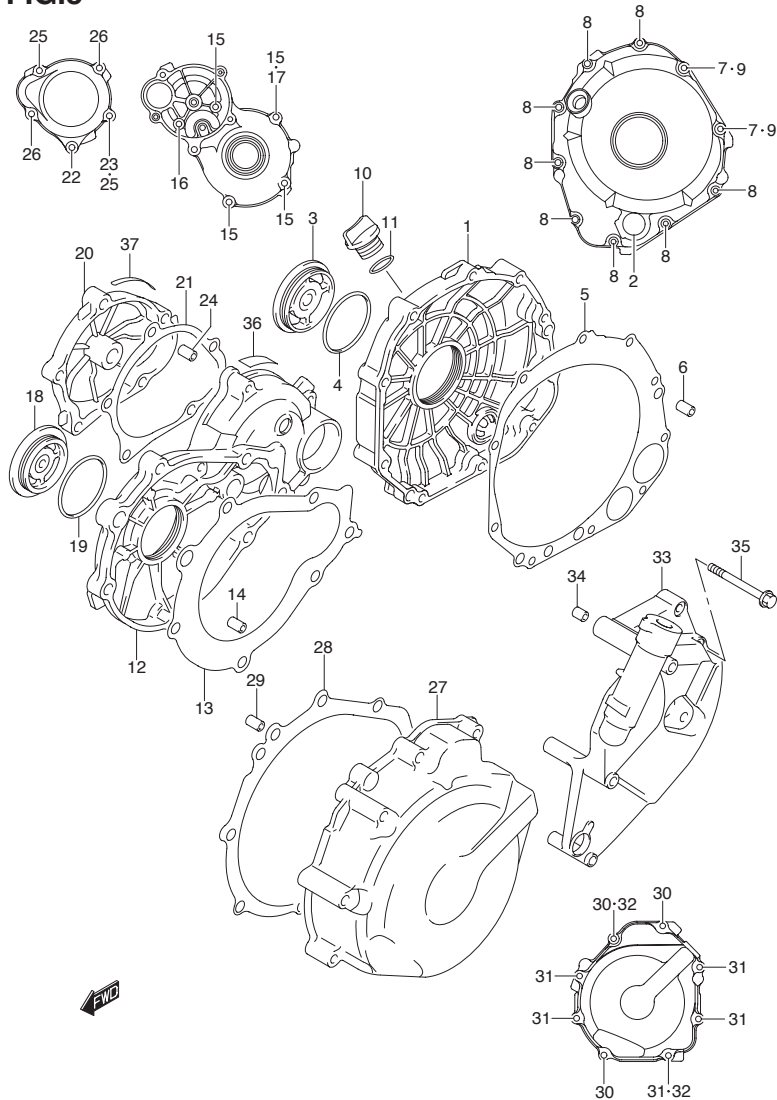


FIG.5 (1-B-8) CRANKCASE COVER

REF NO.	PART NO.	DESCRIPTION	Q'TY	REMARKS
1	11340-44G00	COVER, CLUTCH	1	
2	11971-33210	·LENS, OIL LEVEL	1	
3	11342-41G10	CAP, CLUTCH RELEASE ADJUST	1	
4	09280-54001	O RING	1	
5	11482-40F00	GASKET, CLUTCH COVER	1	
6	04211-09189	PIN	2	
7	09168-06023	GASKET (5.8X13X1.2)	2	
8	09103-06213	BOLT (6X30)	8	
9	09103-06215	BOLT (6X40)	2	
10	11971-25D00	PLUG, ENGINE OIL FILTER	1	
11	09280-17003	O RING (D:3.1, ID:16.8)	1	
12	11381-35F10	COVER, STARTER CLUTCH	1	
13	11491-33E02	GASKET	1	
14	04211-09149	PIN	2	
15	09103-06212	BOLT (6X25)	4	
16	09103-06214	BOLT (6X35)	1	
17	09168-06023	GASKET (5.8X13X1.2)	1	
18	09259-36021	PLUG, SHAFT HOLE	1	
19	09280-33004	O RING (D:3.1, ID:32.7)	1	
20	11382-33E10	CAP, STARTER IDLE GEAR	1	
21	11492-33E00	GASKET	1	
22	09103-06216	BOLT (6X55)	1	
23	09168-06023	GASKET, BOLT (5.8X13X1.2)	1	
24	04211-09149	PIN	2	
25	09103-06212	BOLT (6X25)	2	
26	09103-06214	BOLT (6X35)	2	

FIG.5

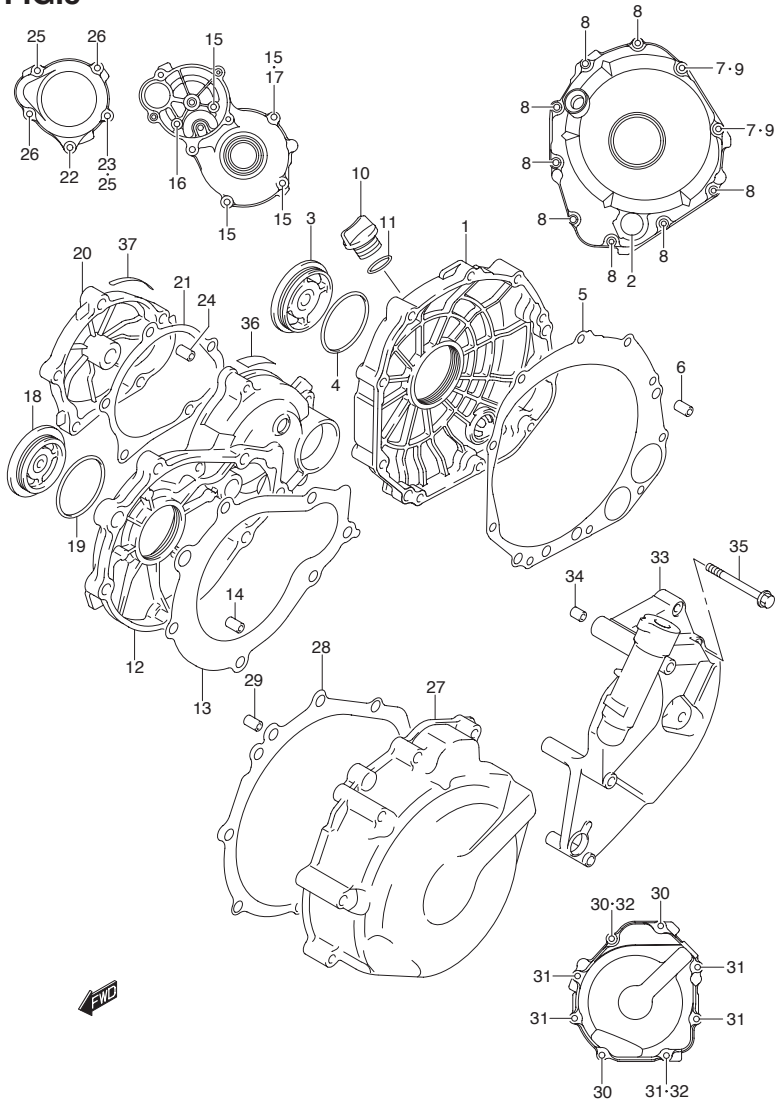


FIG.5 (1-B-9) CRANKCASE COVER

REF NO.	PART NO.	DESCRIPTION	Q'TY	REMARKS
27	11351-18G20	COVER, MAGNETO	1	
28	11483-18G00	GASKET	1	
29	04211-09149	PIN	2	
30	09103-06213	BOLT (6X30)	3	
31	09103-06224	BOLT (6X45)	5	
32	09168-06023	GASKET (5.8X13X1.2)	2	
33	11361-44G00	COVER, ENGINE SPROCKET	1	
34	04211-09129	PIN	2	
35	09103-06225	BOLT	4	
36	17858-44G00	TAPE, STARTER COVER	1	
37	82712-72J00	TAPE, STARTER COVER CAP	1	

FIG.6

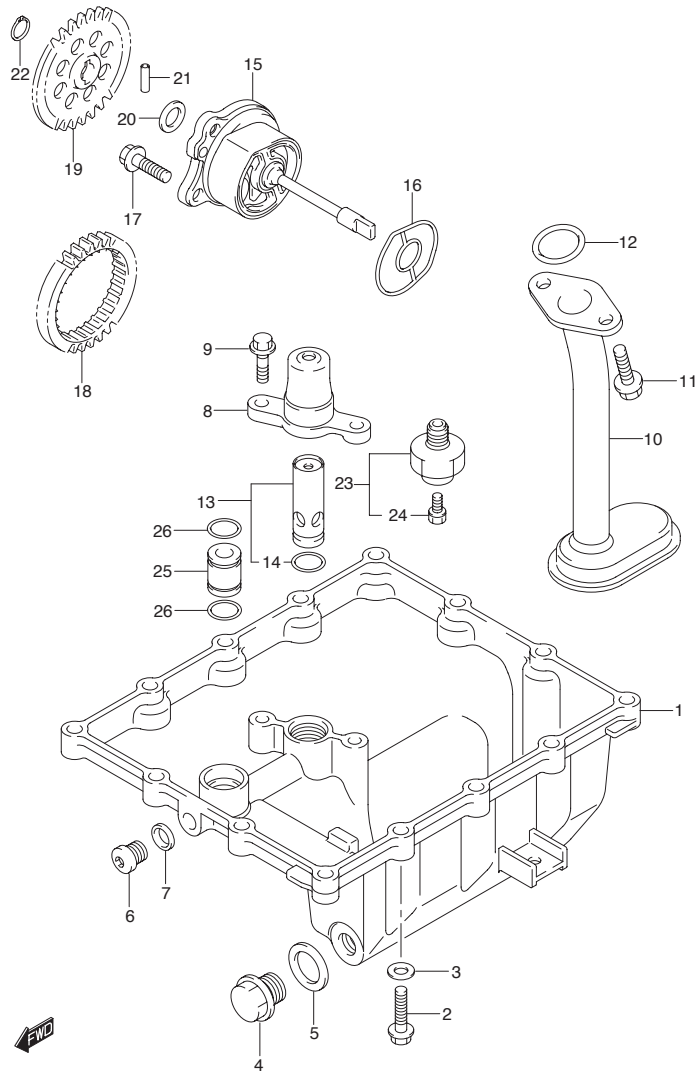


FIG.6 (1-B-10) OIL PAN - OIL PUMP

REF NO.	PART NO.	DESCRIPTION	Q'TY	REMARKS
1	11511-44G00	PAN, OIL	1	
2	01547-0625A	BOLT	14	
3	09168-06023	GASKET (5.8X13X1.2)	2	
4	09247-14036	PLUG, OIL DRAIN	1	
5	09168-14002	GASKET	1	
6	09248-10010	PLUG, OIL GALLERY	1	
7	09168-10002	GASKET	1	
8	11512-44G00	CAP, OIL RELIEF VALVE	1	
9	01547-0620A	BOLT	2	
10	16520-44G00	STRAINER, ENGINE OIL	1	
11	01550-0616A	BOLT	2	
12	09280-19008	O RING (D:2.62, ID:20.3)	1	
13	16440-24F00	VALVE ASSY, OIL RELIEF	1	
14	09280-13004	O RING (D:1.9, ID:13)	1	
15	16400-35F00	PUMP ASSY, ENGINE OIL	1	
16	16491-35F00	O RING	1	
17	01547-0620A	BOLT	3	
18	16321-35F01	GEAR, OIL PUMP DRIVE	1	
19	16331-35F00	GEAR, OIL PUMP DRIVEN	1	
20	09181-10158	WASHER	1	
21	09261-04009	PIN	1	
22	08331-3110A	CIRCLIP	1	
23	37820-33D10	SWITCH, OIL PRESSURE	1	
24	37822-33D00	BOLT	1	
25	11281-44G00	PIPE, OIL GALLERY	1	
26	09280-13004	O RING	2	

FIG.7

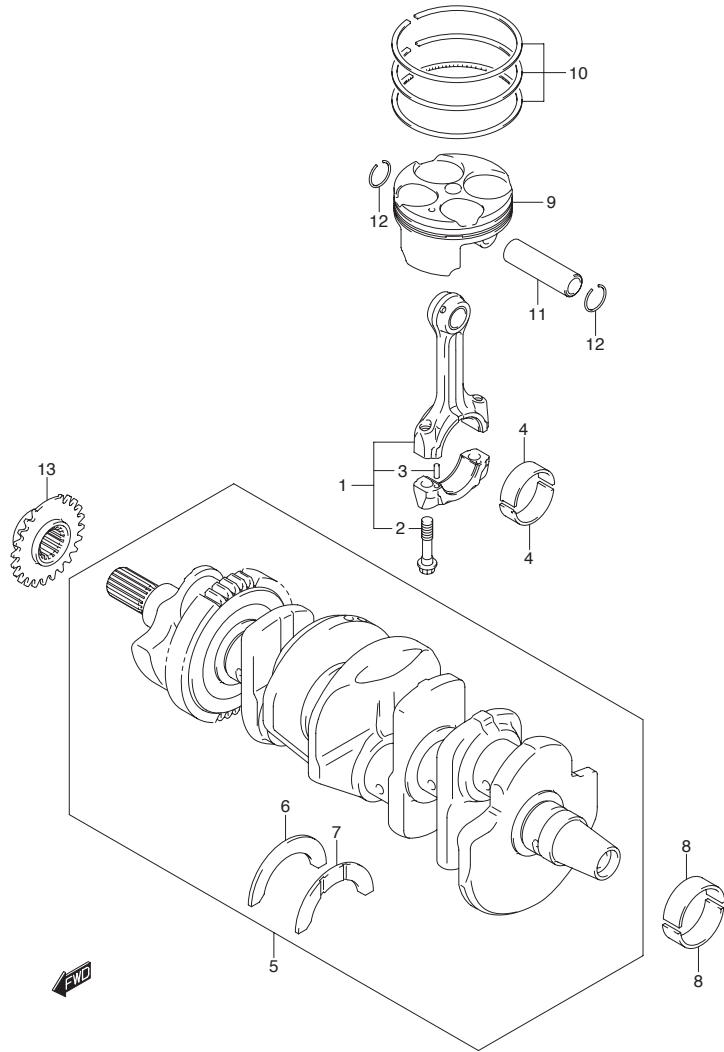


FIG.7 (1-B-11) CRANKSHAFT

REF NO.	PART NO.	DESCRIPTION	Q'TY	REMARKS
1	12160-44G00	ROD ASSY, CONNECTING	4	
2	12163-35F00	·BOLT	8	
3	04221-04089	·PIN	8	
4-1	12164-39F00-0A0	BEARING, CRANK PIN (GREEN)	8	
4-2	12164-39F00-0B0	BEARING, CRANK PIN (BLACK)	8	
4-3	12164-39F00-0C0	BEARING, CRANK PIN (BROWN)	8	
4-4	12164-39F00-0D0	BEARING, CRANK PIN (YELLOW)	8	
5	12000-29810	CRANKSHAFT SET	1	
6	12228-17E00-0D0	·BEARING, THRUST RH (GREEN)	1	
7-1	12228-17E00-0A0	·BEARING, THRUST LH (RED)	1	
7-2	12228-17E00-0B0	·BEARING, THRUST LH (BLACK)	1	
7-3	12228-17E00-0C0	·BEARING, THRUST LH (BLUE)	1	
7-4	12228-17E00-0D0	·BEARING, THRUST LH (GREEN)	1	
7-5	12228-17E00-0E0	·BEARING, THRUST LH (YELLOW)	1	
7-6	12228-17E00-0F0	·BEARING, THRUST LH (WHITE)	1	
8-1	12229-29G00-0A0	BEARING, CRANKSHAFT (GREEN)	10	
8-2	12229-29G00-0B0	BEARING, CRANKSHAFT (BLACK)	10	
8-3	12229-29G00-0C0	BEARING, CRANKSHAFT (BROWN)	10	
8-4	12229-29G00-0D0	BEARING, CRANKSHAFT (YELLOW)	10	
9	12111-44G00-0F0	PISTON	4	
10-1	12140-29G10	RING SET, PISTON	4	MODEL K6/K7/K8
10-2	12140-29G20	RING SET, PISTON	4	MODEL K9/L0
11	12151-39F00	PIN, PISTON	4	
12	09381-14001	CIRCLIP	8	
13	12731-29G00	SPROCKET, CAM CHAIN	1	

FIG.8

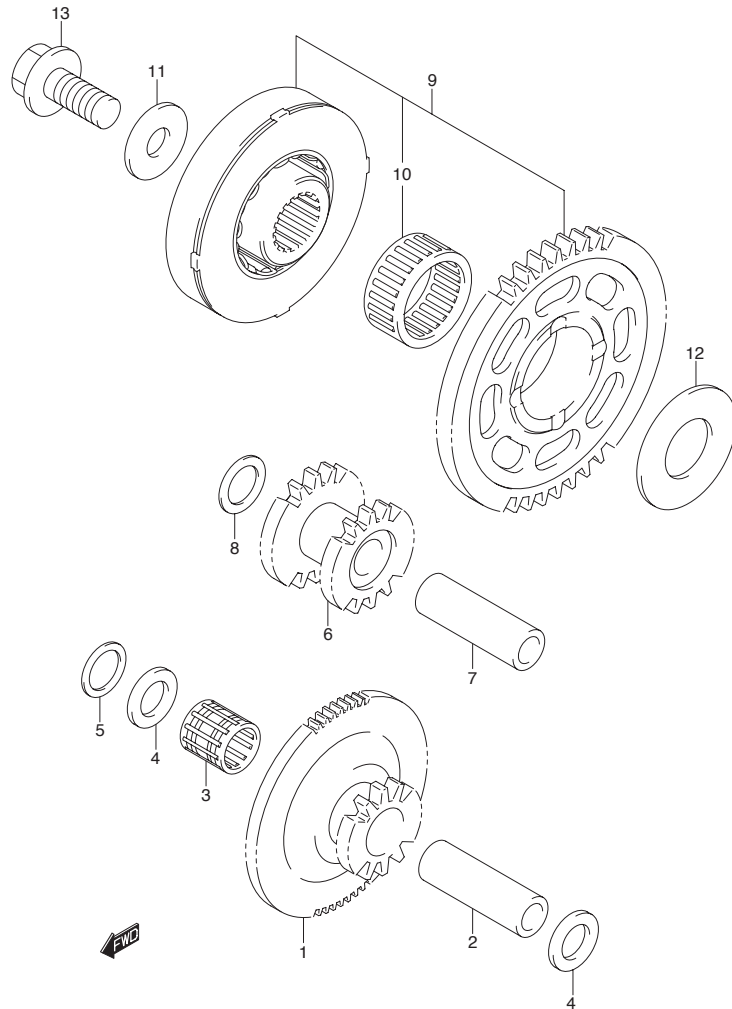


FIG.8 (1-B-12) STARTER CLUTCH

REF NO.	PART NO.	DESCRIPTION	Q'TY	REMARKS
1	12611-40F00	GEAR, STARTER IDLE NO.1	1	
2	12151-09204	PIN	1	
3	09263-12023	BEARING (12X16X15.8)	1	
4	09181-12167	WASHER, STARTER IDLE NO.1	2	
5	09164-12021	WASHER	1	
6	12612-40F00	GEAR, STARTER IDLE NO.2	1	
7	12151-09204	PIN	1	
8	09164-12021	WASHER	1	
9	12600-40831	CLUTCH SET, STARTER	1	
10	09263-26035	BEARING	1	
11	08211-10285	WASHER	1	
12	08211-20403	WASHER	1	
13	09103-10189	BOLT (10X23)	1	

2

FIG.9

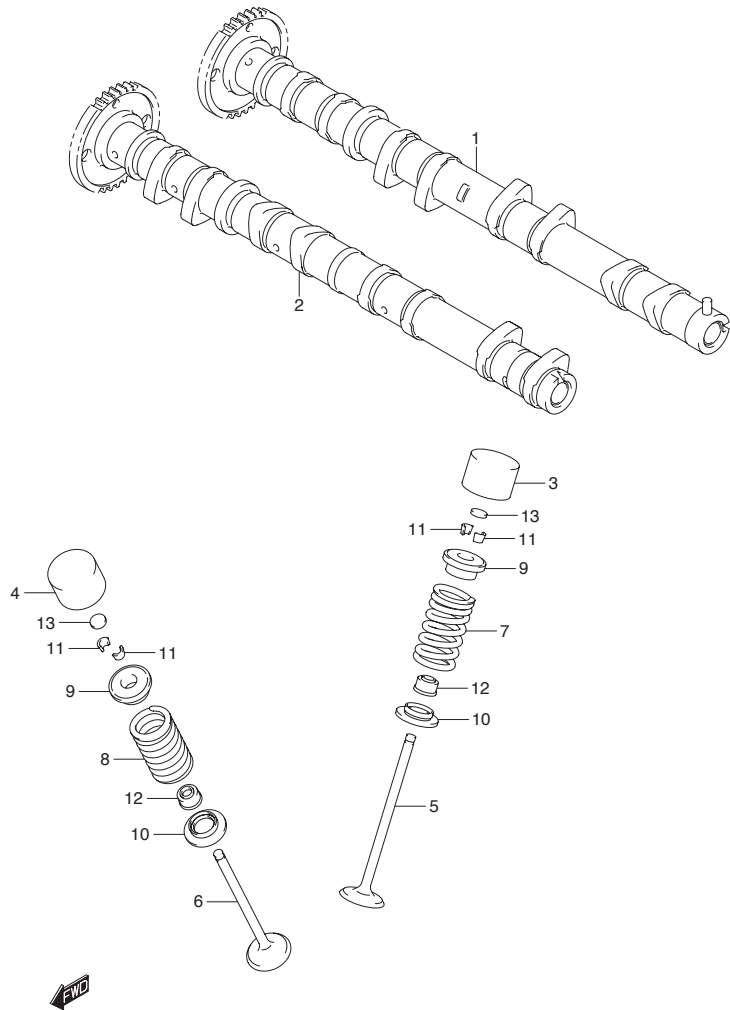


FIG.9 (1-B-13) CAMSHAFT - VALVE

REF NO.	PART NO.	DESCRIPTION	Q'TY	REMARKS
1	12710-44G00	CAMSHAFT, INTAKE	1	
2	12720-44G00	CAMSHAFT, EXHAUST	1	
3-1	12891-29G00	TAPPET, INTAKE	8	MODEL K6/K7/K8
3-2	12891-44G00	TAPPET, INTAKE	8	MODEL K9/L0
4-1	12893-29G00	TAPPET, EXHAUST	8	MODEL K6/K7/K8
4-2	12893-44G00	TAPPET, EXHAUST	8	MODEL K9/L0
5-1	12911-44G00	VALVE, INTAKE	8	MODEL K6/K7/K8
5-2	12911-44G10	VALVE, INTAKE	8	MODEL K9/L0
6-1	12912-44G00	VALVE, EXHAUST	8	MODEL K6/K7/K8
6-2	12912-44G10	VALVE, EXHAUST	8	MODEL K9/L0
7	12921-29G00	SPRING, VALVE INTAKE	8	
8	12922-29G00	SPRING, VALVE EXHAUST	8	
9	12931-35F10	RETAINER, VALVE SPRING	16	
10	12933-35F10	SEAT, VALVE SPRING	16	
11	12932-05C00	COTTER, VALVE	32	
12	09289-04003	OIL SEAL	16	
13-1	12892-05C00-120	SHIM, TAPPET (T:1.20)	16	
13-2	12892-05C00-125	SHIM, TAPPET (T:1.25)	16	
13-3	12892-05C00-130	SHIM, TAPPET (T:1.30)	16	
13-4	12892-05C00-135	SHIM, TAPPET (T:1.35)	16	
13-5	12892-05C00-140	SHIM, TAPPET (T:1.40)	16	
13-6	12892-05C00-145	SHIM, TAPPET (T:1.45)	16	
13-7	12892-05C00-150	SHIM, TAPPET (T:1.50)	16	
13-8	12892-05C00-155	SHIM, TAPPET (T:1.55)	16	
13-9	12892-05C00-160	SHIM, TAPPET (T:1.60)	16	
13-10	12892-05C00-165	SHIM, TAPPET (T:1.65)	16	
13-11	12892-05C00-170	SHIM, TAPPET (T:1.70)	16	
13-12	12892-05C00-175	SHIM, TAPPET (T:1.75)	16	

FIG.9

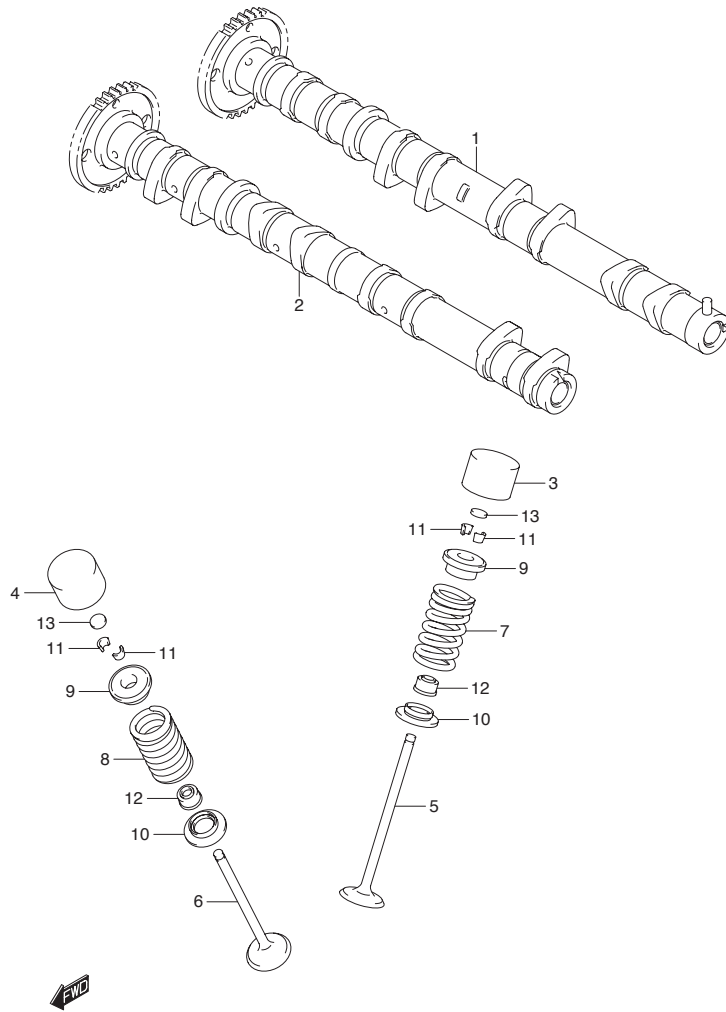


FIG.9 (1-B-14) CAMSHAFT - VALVE

REF NO.	PART NO.	DESCRIPTION	Q'TY	REMARKS
13-13	12892-05C00-180	SHIM, TAPPET (T:1.80)	16	
13-14	12892-05C00-185	SHIM, TAPPET (T:1.85)	16	
13-15	12892-05C00-190	SHIM, TAPPET (T:1.90)	16	
13-16	12892-05C00-195	SHIM, TAPPET (T:1.95)	16	
13-17	12892-05C00-200	SHIM, TAPPET (T:2.00)	16	
13-18	12892-05C00-205	SHIM, TAPPET (T:2.05)	16	
13-19	12892-05C00-210	SHIM, TAPPET (T:2.10)	16	
13-20	12892-05C00-215	SHIM, TAPPET (T:2.15)	16	
13-21	12892-05C00-220	SHIM, TAPPET (T:2.20)	16	
13-22	12892-05C00-225	SHIM, TAPPET (T:2.25)	16	
13-23	12892-05C00-230	SHIM, TAPPET (T:2.30)	16	
13-24	12892-05C00-235	SHIM, TAPPET (T:2.35)	16	
13-25	12892-05C00-240	SHIM, TAPPET (T:2.40)	16	
13-26	12892-05C00-245	SHIM, TAPPET (T:2.45)	16	
13-27	12892-05C00-250	SHIM, TAPPET (T:2.50)	16	
13-28	12892-05C00-255	SHIM, TAPPET (T:2.55)	16	
13-29	12892-05C00-260	SHIM, TAPPET (T:2.60)	16	
13-30	12892-05C00-265	SHIM, TAPPET (T:2.65)	16	
13-31	12892-05C00-270	SHIM, TAPPET (T:2.70)	16	
13-32	12892-05C00-275	SHIM, TAPPET (T:2.75)	16	
13-33	12892-05C00-280	SHIM, TAPPET (T:2.80)	16	
13-34	12892-05C00-290	SHIM, TAPPET (T:2.90)	16	
13-36	12892-05C00-300	SHIM, TAPPET (T:3.00)	16	
14	12800-05830	SHIM SET, TAPPET T:1.20, 1.25, 2.95, 3.00 (5PCS.EACH) & NO.14	1	OPT NOT SHOWN
15	99000-69491	-CASE, TAPPET SHIM	1	OPT NOT SHOWN

FIG.10

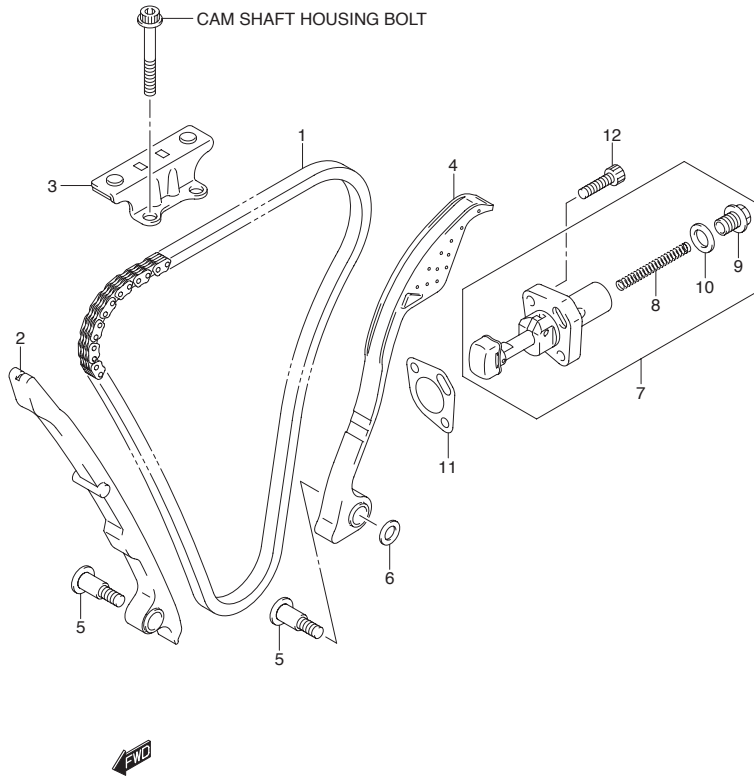


FIG.10 (1-B-15) CAM CHAIN

REF NO.	PART NO.	DESCRIPTION	Q'TY	REMARKS
1	12760-39F00	CHAIN, CAM SHAFT DRIVE	1	
2	12771-29G00	GUIDE, CAM CHAIN NO.1	1	
3	12782-29G00	GUIDE, CAM CHAIN NO.2	1	
4	12811-44G00	TENSIONER, CAM CHAIN	1	
5	12812-26B02	BOLT	2	
6	12813-30G00	WASHER	1	
7	12830-44G00	ADJUSTER ASSY, TENSIONER	1	
8	12831-39F00	·SPRING	1	
9	12833-05A00	·PLUG	1	
10	12837-24F10	·GASKET	1	
11	12837-18G00	GASKET, ADJUSTER	1	
12	07130-0625A	BOLT	2	

FIG.11

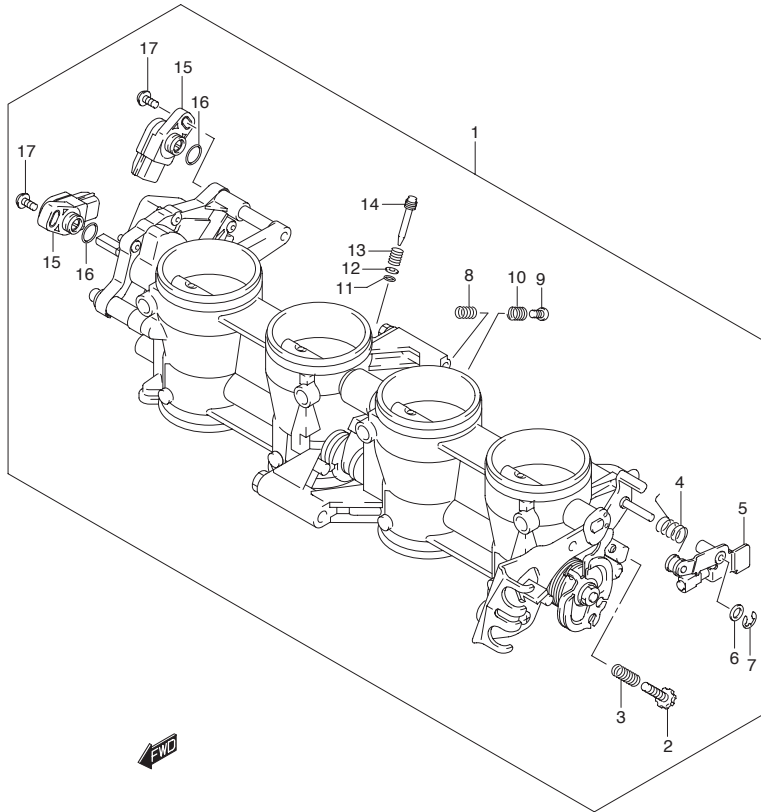


FIG.11 (1-C-2) THROTTLE BODY

REF NO.	PART NO.	DESCRIPTION	Q'TY	REMARKS
1	13405-44G00	BODY ASSY, THROTTLE	1	
2	13267-20E20	·SCREW	1	
3	13268-054A0	·SPRING	1	
4	13426-29G00	·TORSION SPRING	1	
5	13420-44G00	·LEVER ASSY	1	
6	13427-29G00	·PACKING	1	
7	13424-29G00	·E RING	1	
8	13268-89J00	·TORSION SPRING	1	
9	13548-42F00	·SCREW	1	
10	13271-44B00	·SPRING	1	
11	13295-29900	·O RING	4	
12	13606-47A00	·WASHER	4	
13	13268-48700	·SPRING, THROTTLE SCREW	4	
14	13269-33E00	·SCREW	4	
15	13580-29G00	·SENSOR ASSY	2	
16	13575-29G00	·O RING	2	
17	13605-02F00	·SCREW	2	

FIG.12

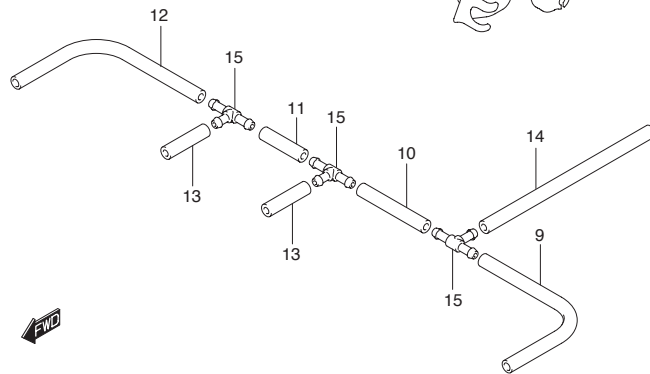
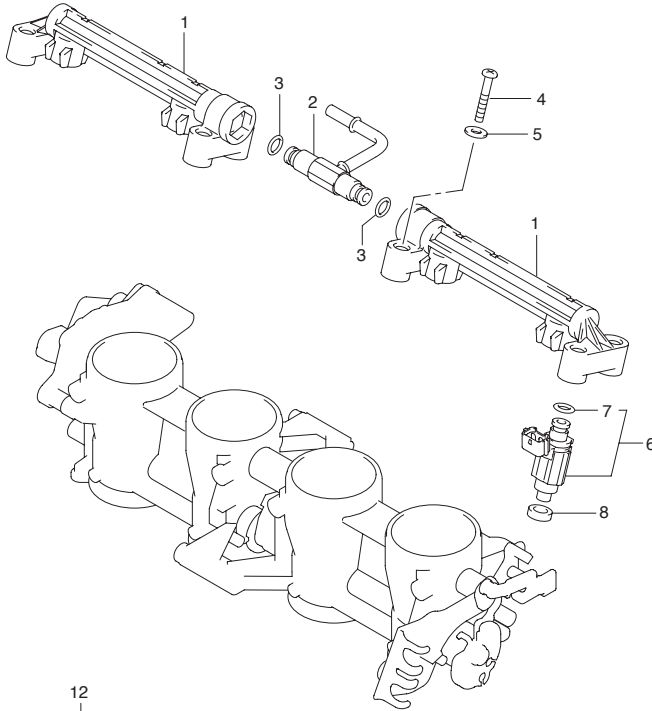


FIG.12 (1-C-3) THROTTLE BODY HOSE/JOINT

REF NO.	PART NO.	DESCRIPTION	Q'TY	REMARKS
1	13471-29G00	DELIVERY PIPE	2	
2	13473-44G00	NIPPLE ASSY	1	
3	15721-29G00	O RING	2	
4	13601-29G00	SCREW	4	
5	13602-29G00	PACKING	4	
6-1	15710-44G00	INJECTOR ASSY	4	MODEL K6/K7/K8
6-2	15710-44G20	INJECTOR ASSY	4	MODEL K9/L0
7	15717-16G00	O RING	4	
8	15722-29G00	SEAL	4	
9	13681-39F00-225	HOSE (3.2X7.4X225)	1	L:225→125
10	13681-39F00-225	HOSE (3.2X7.4X225)	1	L:225→45
11	13681-39F00-225	HOSE (3.2X7.4X225)	1	L:225→30
12	13681-39F00-225	HOSE (3.2X7.4X225)	1	L:225→80
13	13681-39F00-225	HOSE (3.2X7.4X225)	2	L:225→25
14	13681-39F00-225	HOSE (3.2X7.4X225)	1	L:225→70
15	13685-02FA0	3 WAY, VACUUM HOSE	3	

FIG.13

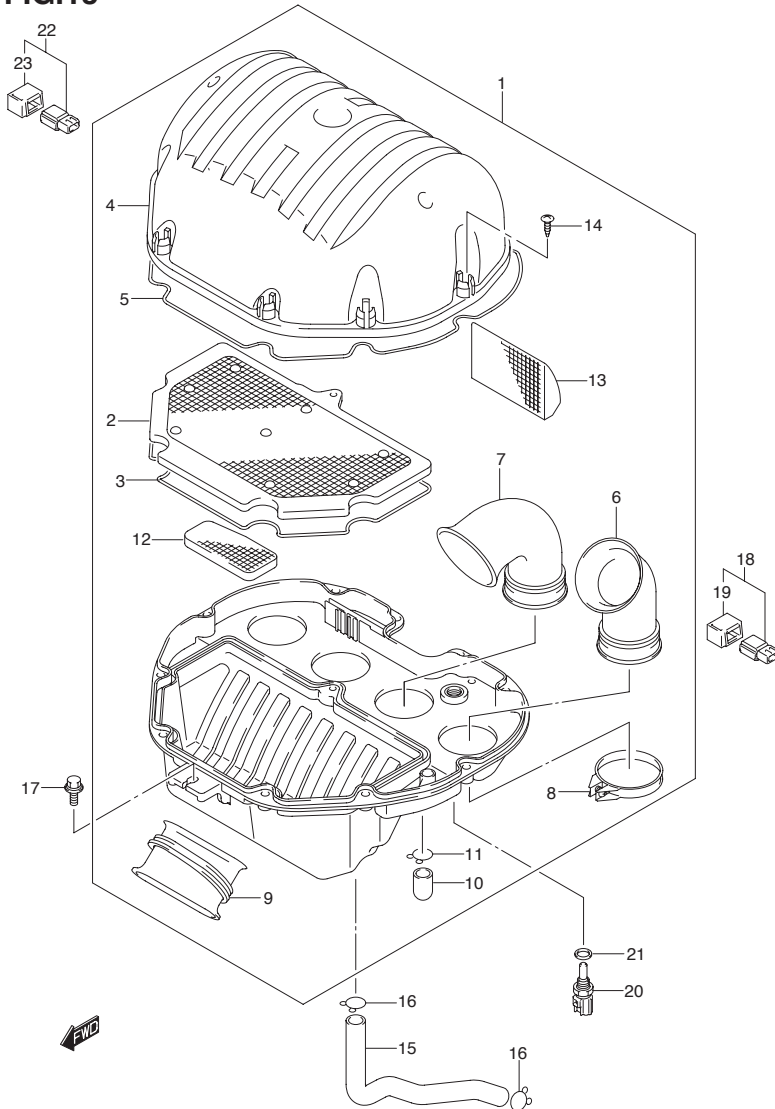


FIG.13 (1-C-4) AIR CLEANER

REF NO.	PART NO.	DESCRIPTION	Q'TY	REMARKS
1-1	13700-44G01	CLEANER ASSY, AIR	1	MODEL K6
1-2	13700-44G11	CLEANER ASSY, AIR	1	MODEL K7/K8/K9/L0
2	13780-44G00	·FILTER ASSY	1	
3	13756-44G00	·GASKET, CASE	1	
4-1	13741-44G00	·CAP	1	MODEL K6
4-2	13741-44GA0	·CAP	1	MODEL K7/K8/K9/L0
5	13746-44G00	·GASKET, CAP	1	
6	13881-44G00	·TUBE, OUTLET, ML/MR	2	
7	13882-44G00	·TUBE, OUTLET, LH/RH	2	
8	09402-56901	·CLAMP	4	
9	13891-44G00	·TUBE, INLET	1	
10	13859-41B10	·PLUG	1	
11	09401-14301	·CLIP	1	
12	13788-44G00	·FILTER, BREATHER	1	
13	13789-44G00	·FILTER, BREATHER	1	
14	13831-35F00	·SCREW	11	
15	13853-44G01	TUBE, BREATHER	1	
16	09401-14301	CLIP	2	
17	09116-06130	BOLT	1	
18	15630-29G10	SENSOR, BOOST	1	
19	15625-29G00	·COVER	1	
20	13650-61B00	SENSOR, AIR TEMPERATURE	1	
21	09168-12017	GASKET	1	
22	15630-29G10	SENSOR, AIR PRESSURE	1	
23	15625-29G00	·COVER	1	

FIG.14

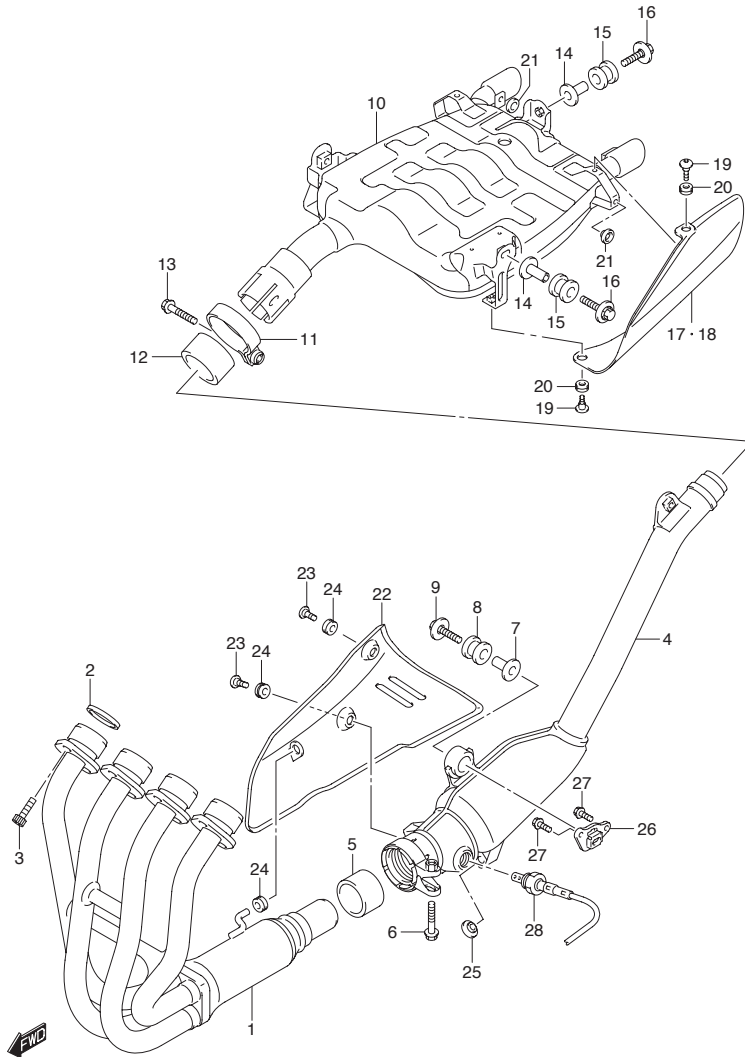


FIG.14 (1-C-5) MUFFLER

REF NO.	PART NO.	DESCRIPTION	Q'TY	REMARKS
1	14100-44G00	PIPE, EXHAUST	1	
2	14181-46E00	GASKET	4	
3	09106-08165	BOLT	8	
4-1	14200-44G00	JOINT	1	MODEL K6/K7/K8
4-2	14200-44G30	JOINT	1	MODEL K9/L0
5	14771-42F30	CONNECTOR, JOINT	1	
6	09103-08392	BOLT	1	
7	09180-08152	SPACER	2	
8	09320-12048	CUSHION	2	
9	09118-08152-A05	BOLT	2	
10	14310-44G00	BODY, MUFFLER	1	
11	14459-42F10	CLAMP	1	
12	14771-42F10	CONNECTOR, MUFFLER	1	
13	09103-08392	BOLT	1	
14	09180-08152	SPACER	3	
15	09320-12048	CUSHION	3	
16	09118-08152-A05	BOLT	3	
17-1	14781-44G00	COVER, RH	1	MODEL K6/K7
17-2	14781-44G10-YKV	COVER, RH (BLACK)	1	MODEL K8
17-3	14781-44G10-YKV	COVER, RH (BLACK)	1	MODEL K9 FOR YAY, YHG, GUL
17-4	14781-44G10-YUS	COVER, RH (SILVER)	1	MODEL K9 FOR YPA
17-5	14781-44G10-YKV	COVER, RH (BLACK)	1	MODEL L0
18-1	14791-44G00	COVER, LH	1	MODEL K6/K7
18-2	14791-44G10-YKV	COVER, LH (BLACK)	1	MODEL K8
18-3	14791-44G10-YKV	COVER, LH (BLACK)	1	MODEL K9 FOR YAY, YHG, GUL
18-4	14791-44G10-YUS	COVER, LH (SILVER)	1	MODEL K9 FOR YPA
18-5	14791-44G10-YKV	COVER, LH (BLACK)	1	MODEL L0
19	09139-06126	SCREW	4	
20	09320-08070	CUSHION	4	
21	09321-10018	CUSHION	4	
22	14880-44G00	COVER	1	
23	09139-06124	SCREW	2	
24	09320-08066	CUSHION	4	
25	09321-10018	CUSHION	1	
26	14770-44G00	BRACKET	1	
27	01550-0616A	BOLT	2	
28-1	18213-16G00	SENSOR, OXYGEN	1	GSR600
28-2	18213-01H00	SENSOR, OXYGEN	1	GSR600A

FIG.15

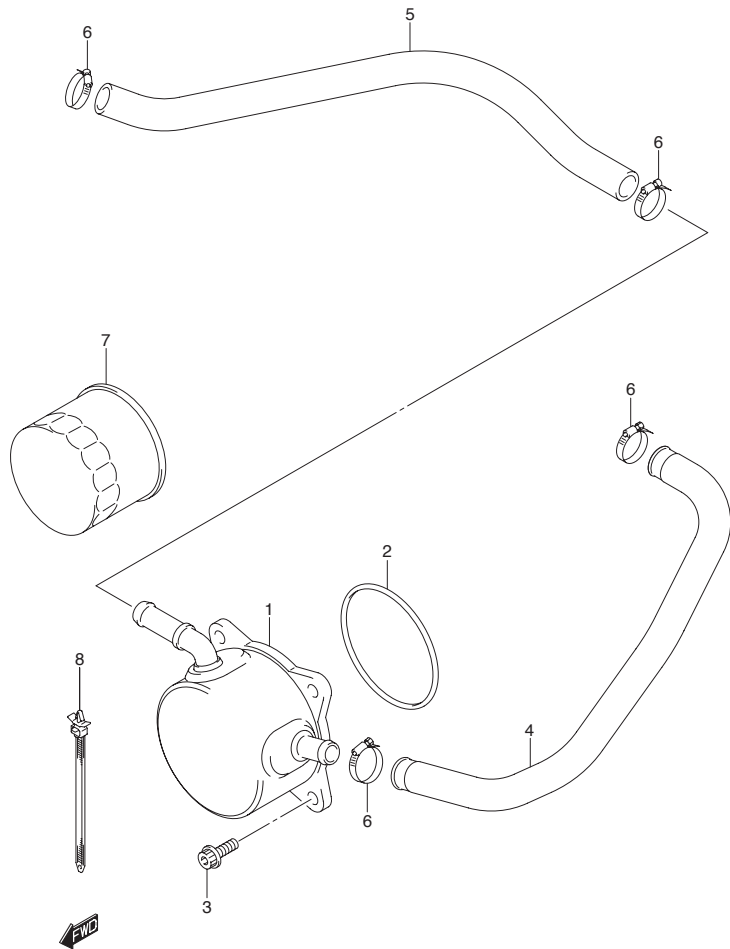


FIG.15 (1-C-6) OIL COOLER

REF NO.	PART NO.	DESCRIPTION	Q'TY	REMARKS
1	16600-29G00	COOLER ASSY, OIL	1	
2	09280-64003	O RING (D:3.1, ID:63.9)	1	
3	09106-06099	BOLT	4	
4	16461-35F00	HOSE, OIL COOLER, WATER IN	1	
5	16471-44G00	HOSE, OIL COOLER, WATER OUT	1	
6	09402-22512	CLAMP	4	
7-1	16510-03G00-X07	FILTER ASSY, ENGINE OIL	1	MODEL K6/K7/K9
7-2	16510-07J00	FILTER ASSY, ENGINE OIL	1	MODEL L0
8	09407-11402	CLAMP	1	

FIG.16

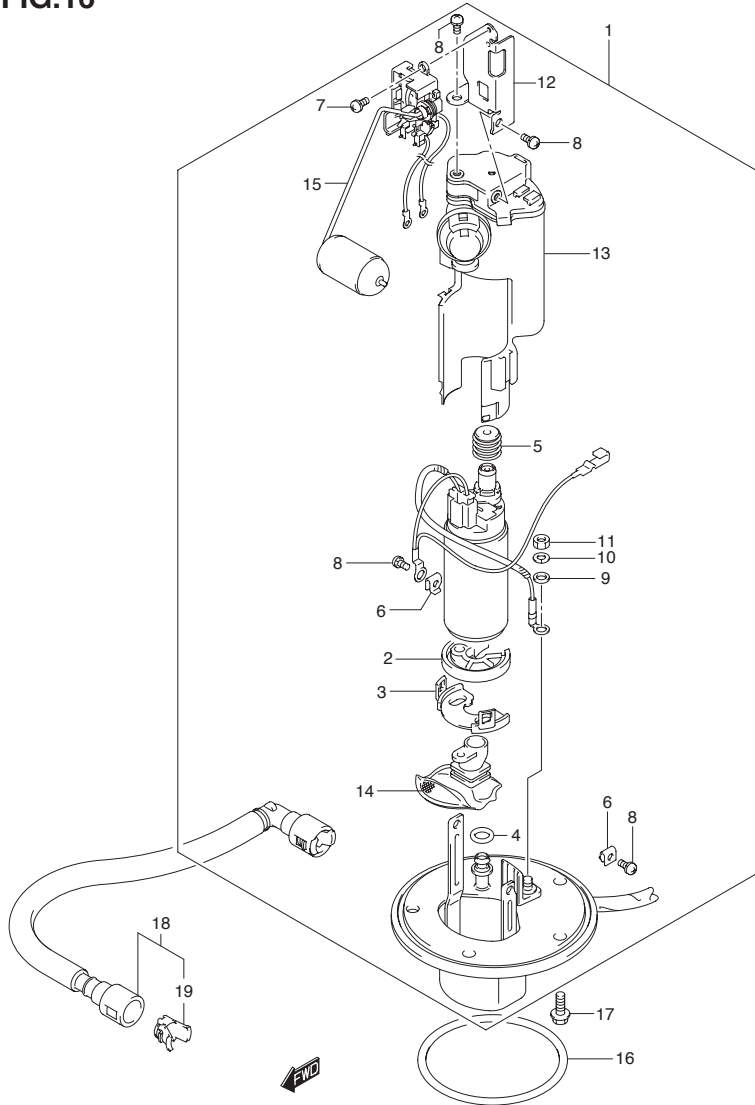


FIG.16 (1-C-7) FUEL PUMP (MODEL K6/K7/K8)

REF NO.	PART NO.	DESCRIPTION	Q'TY	REMARKS
1	15100-44G00	PUMP ASSY, FUEL	1	
2	15111-35F00	·CUSHION, FUEL PUMP	1	
3	15112-42F00	·HOLDER, FUEL PUMP	1	
4	15113-35F00	·O RING	1	
5	15114-35F00	·BUSH, FUEL PUMP	1	
6	15115-35F00	·NUT	2	
7	15116-06G10	·SCREW	1	
8	15116-35F10	·SCREW	4	
9	15171-35F00	·WASHER	2	
10	15172-35F00	·SPRING WASHER	2	
11	15173-35F00	·NUT	2	
12	15181-44G00	·BRACKET, FUEL GAUGE	1	
13	15410-41G00	·FILTER, FUEL	1	
14	15420-44G00	·STRAINER, FUEL PUMP	1	
15	34810-41G00	·GAUGE ASSY, FUEL LEVEL	1	
16	15201-35F00	O RING, FUEL PUMP	1	
17	07120-0612B	BOLT	5	
18	15810-44G00	HOSE, FUEL	1	
19	15815-35F00	·RETAINER	2	

REFER TO FIG.16A (1-C- 8) FOR MODEL K9/L0

FIG.16A

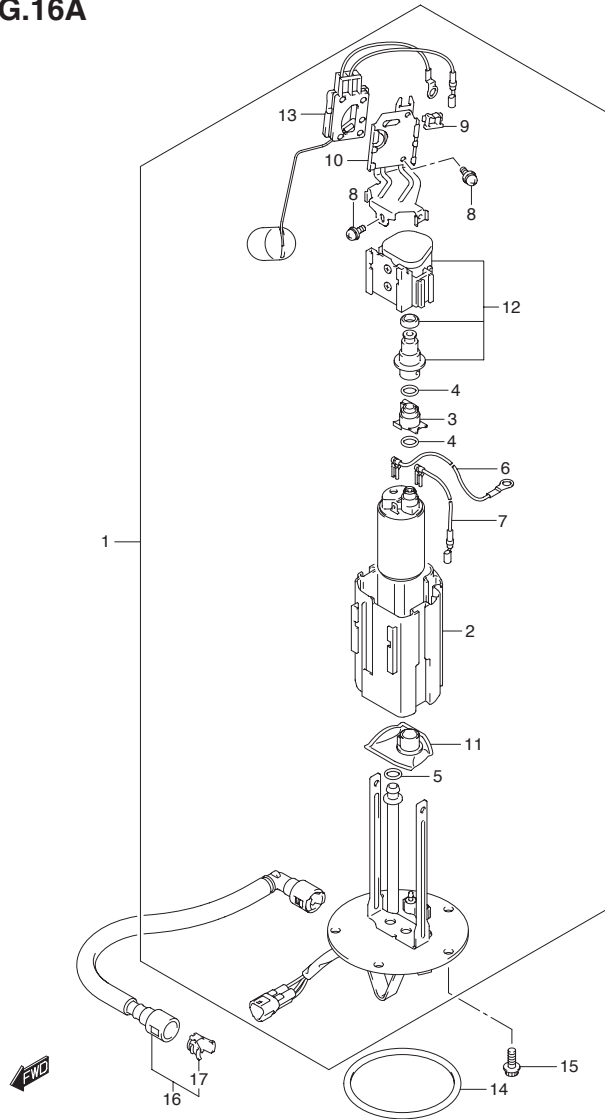


FIG.16A (1-C-8) FUEL PUMP (MODEL K9/L0)

REF NO.	PART NO.	DESCRIPTION	Q'TY	REMARKS
1	15100-44G10	PUMP ASSY, FUEL	1	
2	15111-27G00	·CUP, RESERVOIR	1	
3	15112-05H00	·JOINT	1	
4	15113-05H00	·O RING	2	
5	15113-35F00	·O RING	1	
6	15114-27G00	·WIRE, EARTH	1	
7	15115-27G00	·WIRE, LEAD	1	
8	15116-10F00	·SCREW	3	
9	15119-23H00	·SADDLE, EDGE	1	
10	15181-44G10	·BRACKET, GAUGE	1	
11	15420-05H00	·STRAINER	1	
12	15610-27G00	·REGULATOR	1	
13	34810-44G10	·GAUGE ASSY, FUEL LEVEL	1	
14	15201-35F00	O-RING	1	
15	07120-0612A	BOLT	5	
16	15810-44G00	HOSE, FUEL	1	
17	15815-35F00	·RETAINER	2	

FIG.17

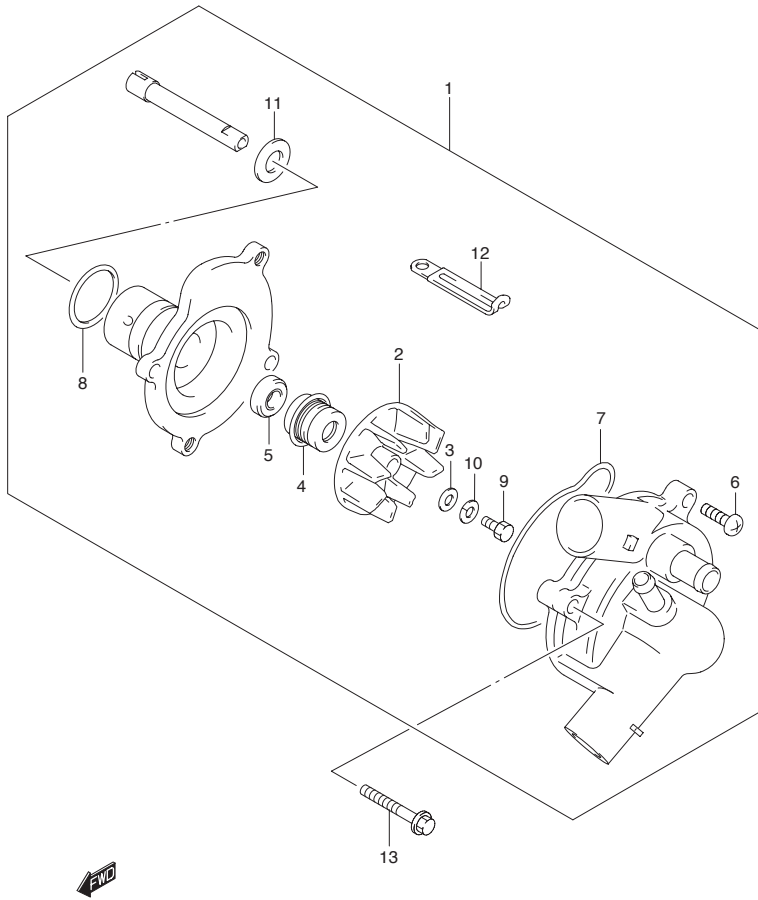


FIG.17 (1-C-9) WATER PUMP

REF NO.	PART NO.	DESCRIPTION	Q'TY	REMARKS
1	17400-35F10	PUMP ASSY, WATER	1	
2	17491-17E01	·IMPELLER	1	
3	09168-06025	·GASKET	1	
4	17470-02F10	·SEAL, MECHANICAL	1	
5	17461-48G00	·OIL SEAL	1	
6	02112-0616B	·SCREW	2	
7	17418-33400	·O RING	1	
8	17435-33400	·O RING	1	
9	09100-06099	·BOLT (6X13)	1	
10	09164-06006	·LOCK WASHER	1	
11	17432-07G00	·WASHER	1	
12	09404-06429	·CLAMP	1	
13	01547-0635A	BOLT	2	

2

FIG.18

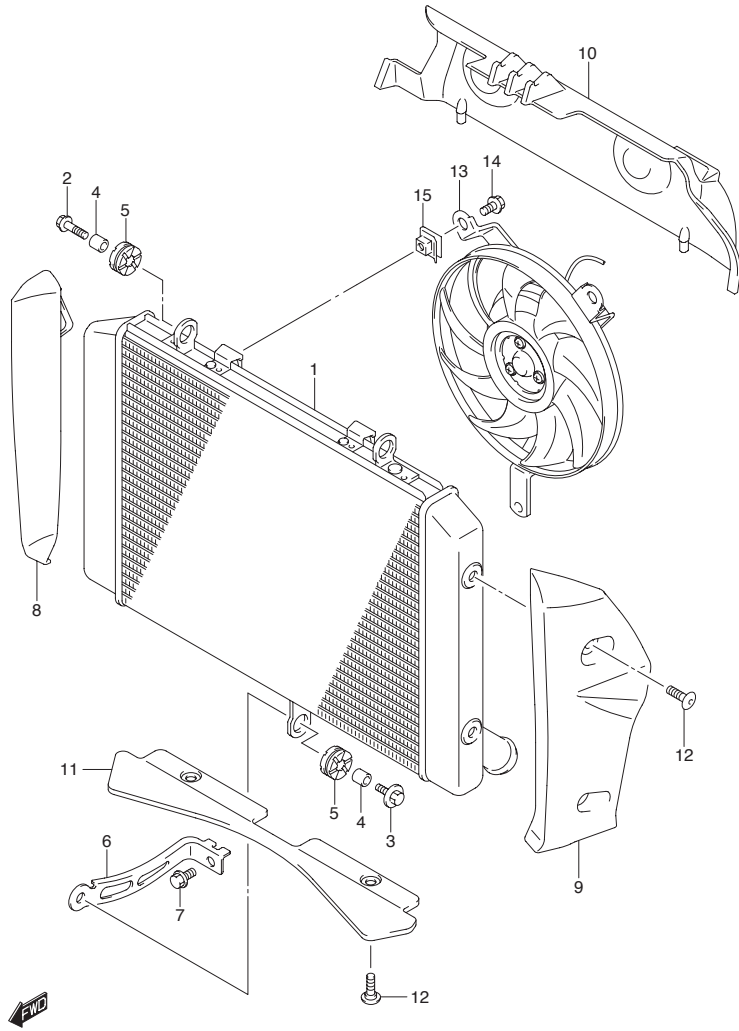


FIG.18 (1-C-10) RADIATOR

REF NO.	PART NO.	DESCRIPTION	Q'TY	REMARKS
1-1	17710-44G00	RADIATOR ASSY, WATER	1	GSR600 ~JS1B9111300100663
1-2	17710-44G10	RADIATOR ASSY, WATER	1	GSR600 JS1B9111300100664~ GSR600A
2	01550-0625A	BOLT	1	
3	09118-06097	BOLT	1	
4	09180-06290	SPACER	2	
5	09320-10051	CUSHION	3	
6	17750-44G00	BRACKET, RADIATOR LOWER	1	
7	01550-0612A	BOLT	1	
8	17761-44G00	COVER, RH	1	
9	17762-44G00	COVER, LH	1	
10-1	17771-44G01	SHIELD, HEAT	1	GSR600 ~JS1B9111300100663
10-2	17771-44G10	SHIELD, HEAT	1	GSR600 JS1B9111300100664~ GSR600A
11	17781-44G00	PLATE, UNDER	1	
12	09139-06144	SCREW	6	
13-1	17800-44G00	FAN ASSY, RADIATOR	1	MODEL K6/K7
13-2	17800-44G10	FAN ASSY, RADIATOR	1	MODEL K8/K9/L0
14	17711-40F00	BOLT	3	
15	17712-40F00	NUT	2	

FIG.19

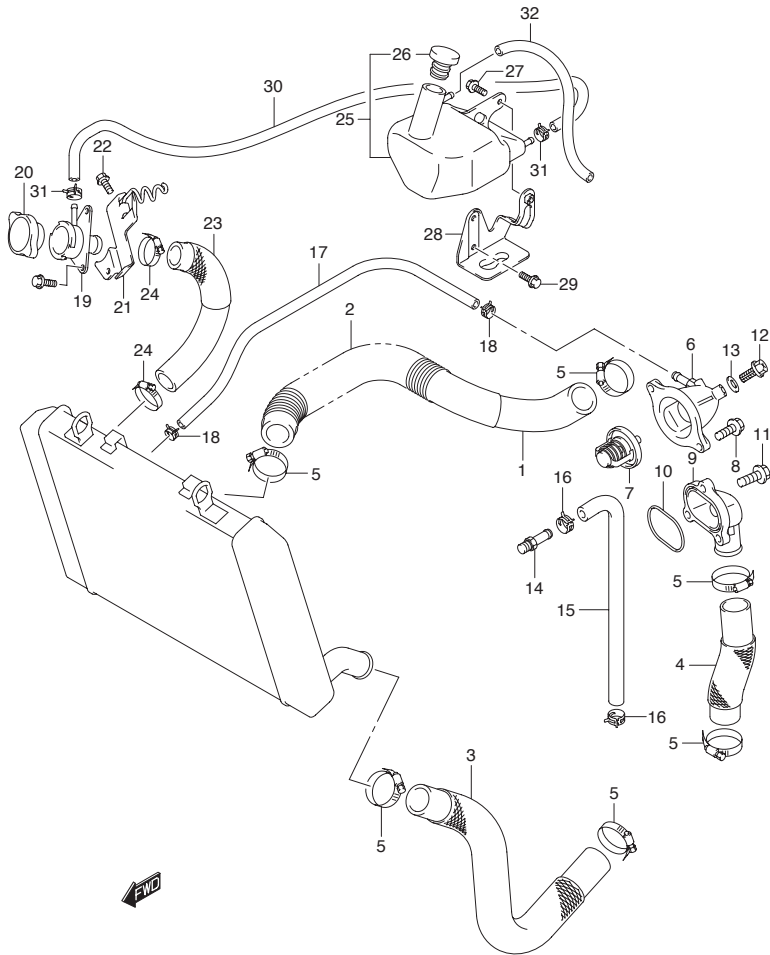


FIG.19 (1-C-11) RADIATOR HOSE

REF NO.	PART NO.	DESCRIPTION	Q'TY	REMARKS
1	17851-44G00	HOSE, RADIATOR INLET	1	
2	17859-44G00	PROTECTOR	1	
3	17852-44G00	HOSE, RADIATOR OUTLET	1	
4	17853-29G00	HOSE, CYLINDER INLET	1	
5	09402-38512	CLAMP	6	
6	17661-35F00	COVER, THERMOSTAT	1	
7	17670-76G00	THERMOSTAT, WATER	1	
8	01547-0620A	BOLT	2	
9	17861-33E20	CONNECTOR, CYLINDER JOINT	1	
10	17863-33E00	O RING	1	
11	01547-0620A	BOLT	3	
12	17568-50F00	BOLT, THERMOSTAT COVER AIR	1	
13	09168-06026	GASKET, AIR BOLT (6.4X11.5X0.8)	1	
14	09362-09011	UNION, BYPASS	1	
15	17854-35F00	HOSE, WATER BYPASS	1	
16	09401-12409	CLIP, BYPASS HOSE	2	
17	09352-50111-600	HOSE, WATER AIR BLEED (5X11X600)	1	L:600→500
18	09401-10409	CLIP	2	
19	17791-24D00	CONDUCTION	1	
20	17730-12C20	CAP	1	
21	17790-44G00	BRACKET	1	
22	01550-0612A	BOLT	3	
23-1	17855-44G00	HOSE, CONDUCTION	1	GSR600 ~JS1B9111300100663
23-2	17855-44G10	HOSE, CONDUCTION	1	GSR600 JS1B9111300100664~ GSR600A
24	09402-32512	CLAMP	2	

FIG.19

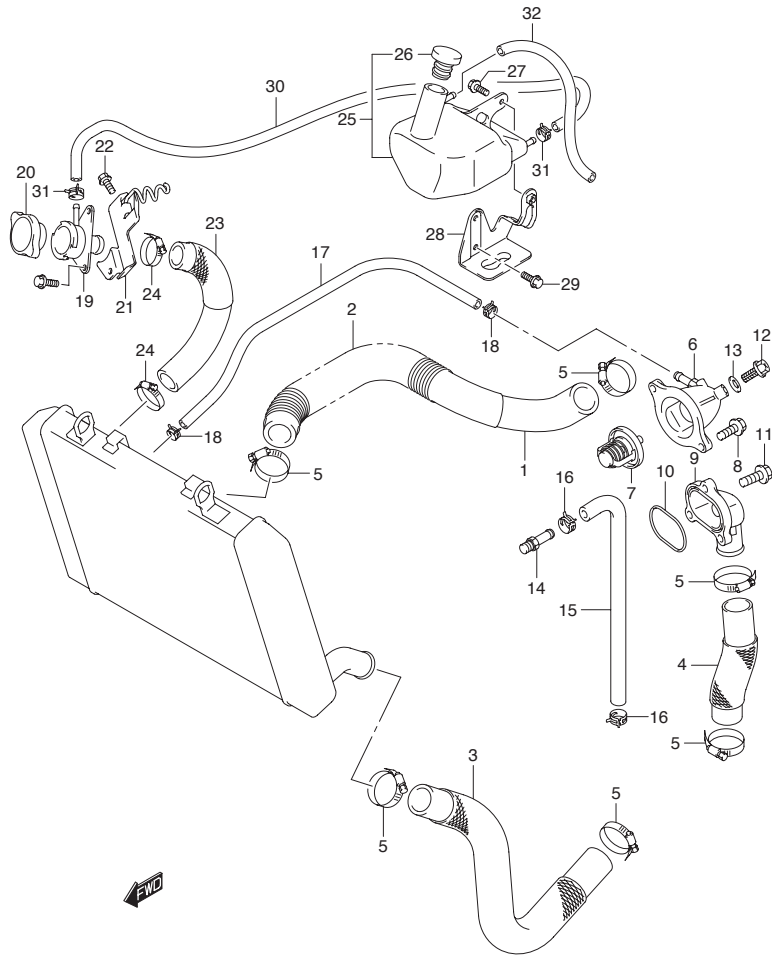


FIG.19 (1-C-12) RADIATOR HOSE

REF NO.	PART NO.	DESCRIPTION	Q'TY	REMARKS
25	17910-44G00	TANK ASSY, RESERVOIR	1	
26	17931-02FA0	·CAP	1	
27	09111-06085	SCREW	1	
28	17920-44G00	BRACKET	1	
29	01550-0612A	BOLT	2	
30	17900-44810	HOSE, RESERVOIR TANK INLET	1	
31	09401-08411	CLIP	2	
32-1	09352-50901-600	HOSE, OVER FLOW (5X9X600)	1	GSR600 L:600→300
32-2	09352-50901-600	HOSE, OVER FLOW (5X9X600)	1	GSR600A L:600→200

FIG.20

2

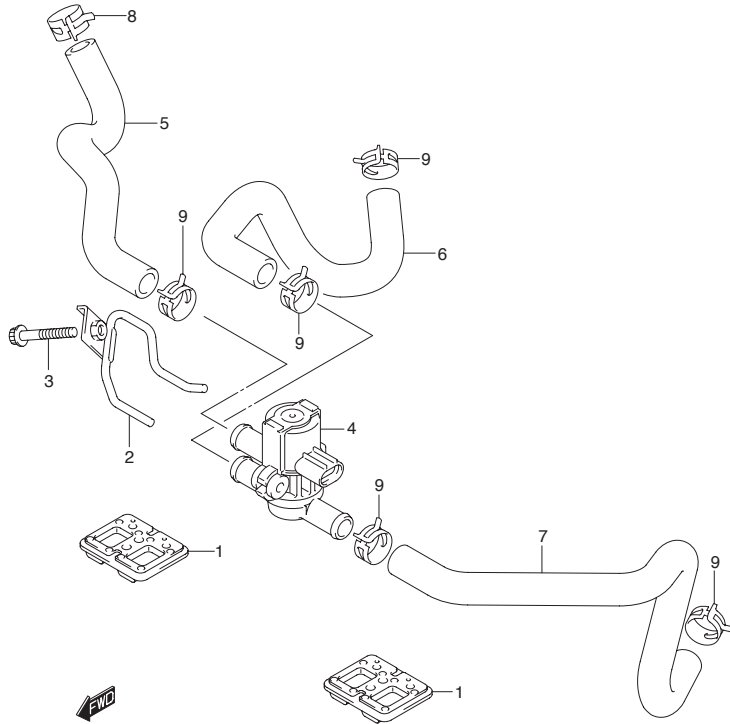


FIG.20 (1-C-13) 2ND AIR

REF NO.	PART NO.	DESCRIPTION	Q'TY	REMARKS
1	18450-35F20	VALVE ASSY, 2ND AIR REED	2	
2	18610-44G00	BRACKET, 2ND AIR VALVE	1	
3	07120-0635A	BOLT	1	
4-1	18510-29G00	VALVE ASSY, AIR CUT	1	MODEL K6/K7/K8
4-2	18510-29G30	VALVE ASSY, AIR CUT	1	MODEL K9/L0
5	18711-44G00	HOSE, 2ND AIR CLEANER	1	
6	18461-44G00	HOSE, 2ND AIR VALVE RH	1	
7	18471-44G00	HOSE, 2ND AIR VALVE LH	1	
8	09401-15101	CLIP	1	
9	09401-17401	CLIP	5	

FIG.21

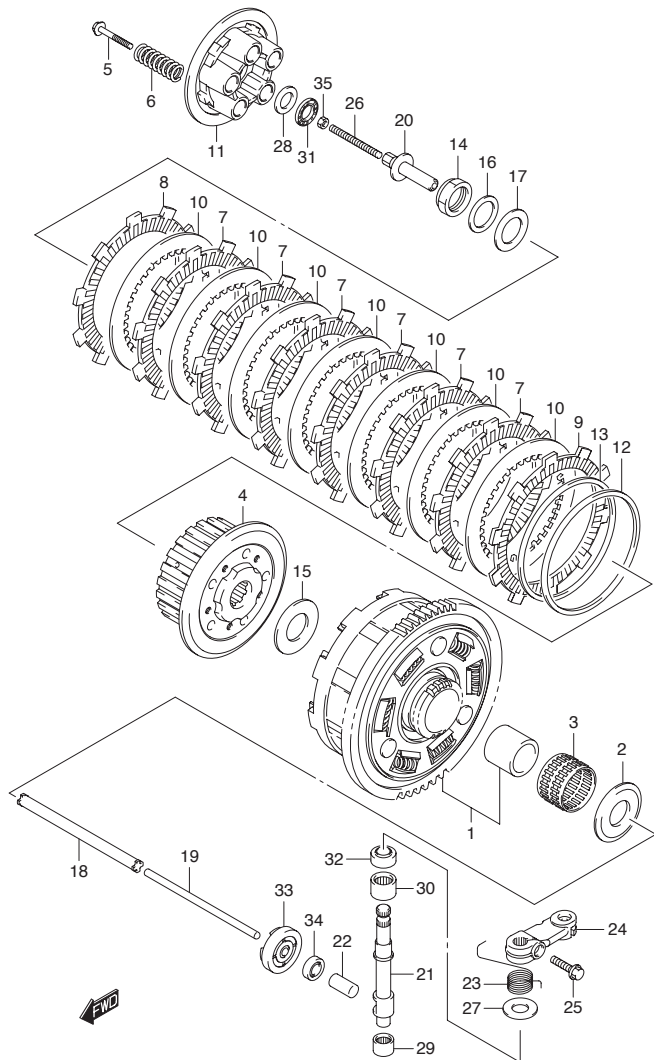


FIG.21 (1-C-14) CLUTCH

REF NO.	PART NO.	DESCRIPTION	Q'TY	REMARKS
1	21200-39820	GEAR ASSY, PRIMARY DRIVEN	1	NT:78
2	09160-25073	WASHER (25X54X2.4)	1	
3	09263-35036	BEARING (35X40X29.8)	1	
4	21410-44G00	HUB, CLUTCH SLEEVE	1	
5	21412-35F00	BOLT, CLUTCH SPRING	5	
6	21413-35F10	SPRING, CLUTCH	5	
7	21441-31E70	PLATE, CLUTCH DRIVE NO.1	6	
8	21441-31E60	PLATE, CLUTCH DRIVE NO.2	1	
9	21442-31E21	PLATE, CLUTCH DRIVE NO.3	1	
10	21451-31E30	PLATE, CLUTCH DRIVEN, NO.1	7	T:2.6
11	21462-35F00	DISC, CLUTCH PRESSURE	1	
12	21471-31E20	SEAT, WAVE WASHER	1	
13	21472-31E01	WASHER, CLUTCH PLATE WAVE	1	
14	09159-24010	NUT, CLUTCH SLEEVE HUB	1	
15	09160-25056	WASHER, CLUTCH SLEEVE THR	1	25X50X2.5
16-1	09164-24006	WASHER, CLUTCH WAVE	1	24.2X35X2 MODEL K6/K7/K8
16-2	09164-24008	WASHER, CLUTCH WAVE	1	24.2X35X2 MODEL K9/L0
17	09181-25223	WASHER, SLEEVE HUB NUT	1	25X38X1.0
18	23110-27A00	ROD, CLUTCH PUSH RH	1	
19	23111-05A01	ROD, CLUTCH PUSH LH	1	
20	23121-41G00	PIECE, CLUTCH PUSH	1	
21	23122-41G00	CAMSHAFT, CLUTCH RELEASE	1	
22	23123-41G00	CAP, CLUTCH PUSH ROD	1	
23	23125-44G00	SPRING, CLUTCH RELEASE	1	
24	23271-41G10	ARM, CLUTCH RELEASE	1	
25	09103-06223	BOLT, CL RELEASE ARM	1	
26	09134-06015	SCREW, CLUTCH PUSH ROD	1	
27	09160-10020	WASHER, CLUTCH RELEASE	1	10.5X24X1
28	09160-15045	WASHER, CLUTCH PUSH PIECE	1	
29	09263-10014	BEARING, CL RLSE CAM SHAFT	1	10X14X10
30	09263-12027	BEARING, CL RLSE CAM UPR	1	12X18X12

FIG.21

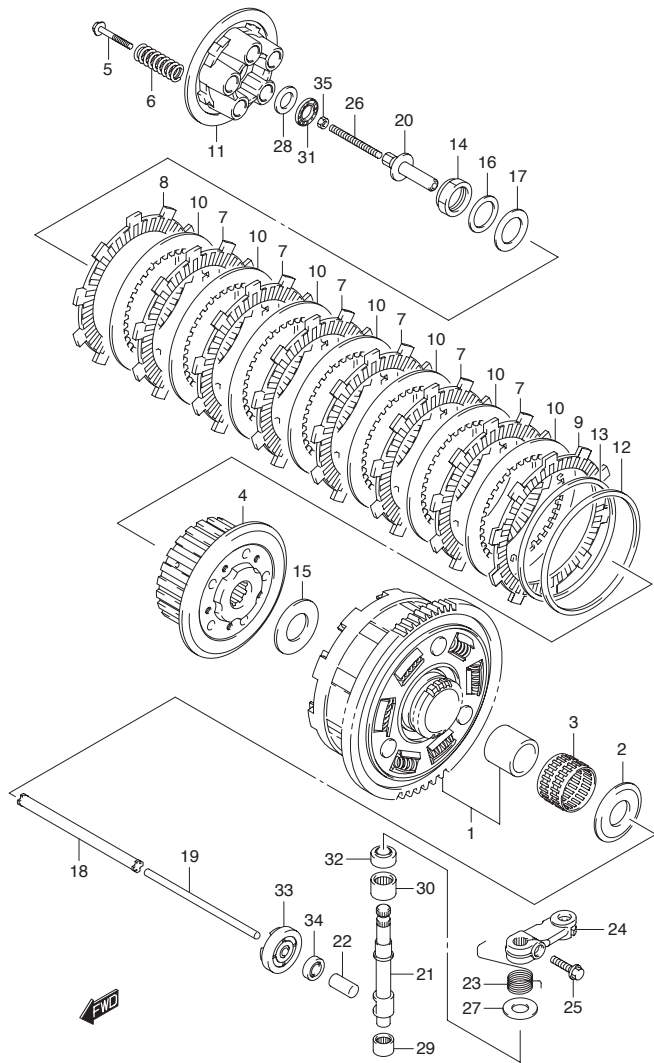


FIG.21 (1-C-15) CLUTCH

REF NO.	PART NO.	DESCRIPTION	Q'TY	REMARKS
31	09263-15003	BEARING, CL PUSH PIECE	1	15X28X2
32	09282-10012	SEAL, CL RLSE CAMSHAFT	1	10X20X6
33	09285-06011	SEAL, CL PUSH ROD	1	5X34X10
34	09285-10004	SEAL, CL PUSH ROD	1	
35	08310-0006A	NUT, CL RLSE ADJ	1	

FIG.22

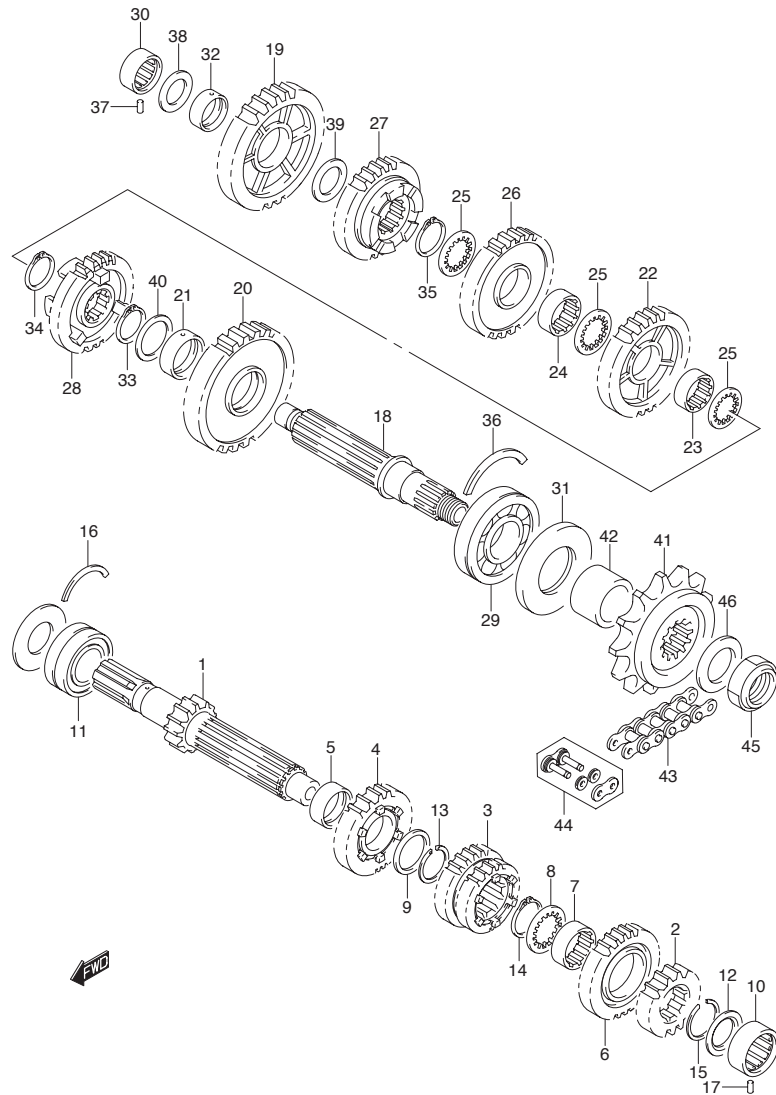


FIG.22 (1-D-2) TRANSMISSION

REF NO.	PART NO.	DESCRIPTION	Q'TY	REMARKS
1	24120-35F00	SHAFT, COUNTER (NT:14)	1	
2	24221-39F20	GEAR, 2ND DRIVE (NT:16)	1	
3	24231-39F20	GEAR, 3RD & 4TH (NT:20/22)	1	
4	24251-39F00	GEAR, 5TH DRIVE (NT:24)	1	
5	24252-35F00	BUSH 5TH DRIVE GEAR	1	
6	24261-39F00	GEAR, 6TH DRIVE (NT:23)	1	
7	24262-35F00	BUSH, 6TH DRIVE GEAR	1	
8	09167-27003	WASHER, 6TH DRIVE	1	
9	09181-27014	WASHER, 5TH DRIVE	1	27X36X2.5
10	09263-20087	BEARING, CNTR LH	1	20X34X13.5
11	09267-25013	BEARING, CNTR RH	1	25X52X20.6
12	09285-20006	SEAL, OIL (20X31.2X2.7)	1	
13	09380-27006	CIRCLIP, 5TH DRIVE	1	
14	09380-27006	CIRCLIP, 6TH DRIVE	1	
15	09380-27004	CIRCLIP, 2ND DRIVE	1	
16	09390-58001	C RING, CNTR RH	1	
17	09261-06003	PIN, COUNTER SHAFT, LH	1	
18	24131-35F11	SHAFT, DRIVE	1	
19	24311-39F20	GEAR, 1ST DRIVEN (NT:39)	1	
20	24321-39F20	GEAR, 2ND DRIVEN (NT:32)	1	
21	24322-35F00	BUSH, 2ND DRIVEN	1	
22	24331-39F00	GEAR, 3RD DRIVEN (NT:32)	1	
23	24332-35F00	BUSH, 3RD DRIVEN	1	
24	24332-35F00	BUSH, 4TH DRIVEN GEAR	1	
25	24333-02F00	WASHER, 3RD & 4TH DRIVEN	3	
26	24341-39F20	GEAR, 4TH DRIVEN (NT:30)	1	
27	24351-39F00	GEAR, 5TH DRIVEN (NT:29)	1	
28	24361-39F00	GEAR, 6TH DRIVEN (NT:25)	1	
29	09262-28025	BEARING, DRIVE SHAFT, LH	1	28X70X18
30	09263-20087	BEARING, DRIVE SHAFT, RH	1	20X34X13.5
31	09283-36008	SEAL, DRIVE SHAFT, OIL	1	36X70X6
32	09300-22008	BUSH, 1ST DRIVEN GEAR	1	22X26X9

FIG.22

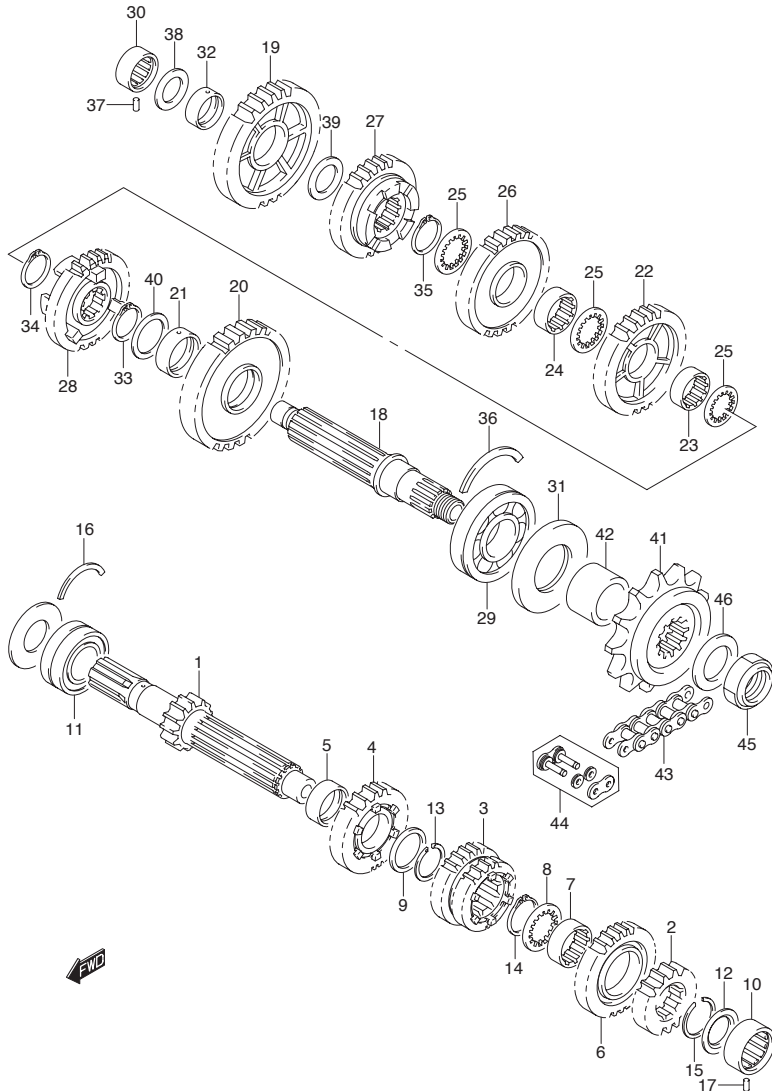


FIG.22 (1-D-3) TRANSMISSION

REF NO.	PART NO.	DESCRIPTION	Q'TY	REMARKS
33	09380-27006	CIRCLIP, 2ND DRIVEN GEAR	1	
34	09380-27006	CIRCLIP, 3RD DRIVEN GEAR	1	
35	09380-27006	CIRCLIP, 4TH DRIVEN GEAR	1	
36	09390-70001	C RING, DRIVE SHAFT, LH	1	
37	09261-06003	PIN, DRIVE SHAFT, RH	1	
38	09181-20251	WASHER, 1ST DRIVEN RH	1	20X34X1.0
39	09181-22223	WASHER, 1ST DRIVEN LH	1	22X34X1.0
40	09160-27008	WASHER, 2ND DRIVEN	1	27X36X1.0
41	27510-20A10	SPROCKET, ENGINE (NT:16)	1	
42	27531-44G00	SPACER, ENGINE SPROCKET	1	
43	27600-06G30-114	CHAIN ASSY (RK525SM0Z7, 114L)	1	
44	27620-06G00	JOINT SET, CHAIN	1	OPT
45	09159-20004	NUT, ENGINE SPROCKET	1	
46	09160-25009	WASHER (25X41X3)	1	

FIG.23

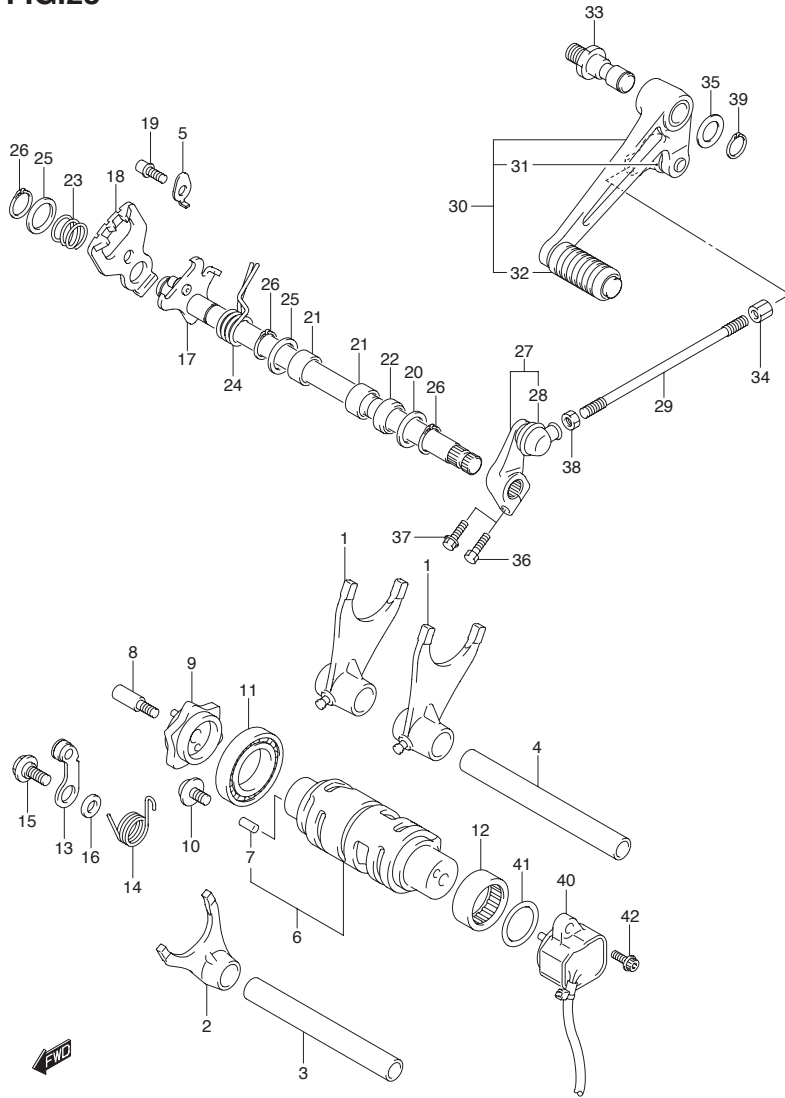


FIG.23 (1-D-4) GEAR SHIFTING

REF NO.	PART NO.	DESCRIPTION	Q'TY	REMARKS
1	25211-35F11	FORK, GEAR SHIFT, NO.1	2	
2	25231-35F11	FORK, GEAR SHIFT, NO.3	1	
3	25411-26D01	SHAFT, GEAR SHIFT FORK, NO.2	1	
4	25411-35F00	SHAFT, GEAR SHIFT FORK, NO.1	1	
5	25451-35F00	RETAINER, GEAR SHIFT FORK	1	
6	25310-35F00	CAM, GEAR SHIFT	1	
7	04221-04089	·PIN, SHIFT CAM	1	
8	25312-42F01	PIN, CAM SHIFTER	1	
9	25381-13E00	PLATE, GEAR SHIFT CAM	1	
10	09136-06147	SCREW, GEAR SHIFT CAM	2	6X12
11	09262-25006	BEARING, GEAR SHIFT CAM	1	25X47X8
12	09263-25018	BEARING, GEAR SHIFT	1	25X32X12
13	25350-35F00	STOPPER, SHIFT CAM	1	
14	25355-44G00	SPRING, SHIFT CAM STOPPER	1	
15	09111-06041	BOLT, SHIFT CAM (6X14.3)	1	
16	08211-06141	WASHER, CAM STOPPER	1	
17	25510-44G00	SHAFT, GEAR SHIFT	1	
18	25512-06G10	PLATE, GEAR SHIFT CAM	1	
19	25671-35F00	STOPPER, GEAR SHIFT ARM	1	
20	09160-14016	WASHER, GEAR SHAFT, LH	1	14X29X0.8
21	09263-14027	BEARING, GEAR SHAFT	2	14X20X12
22	09283-14005	SEAL, GEAR SHAFT	1	14X22X6
23	09440-17009	SPRING, SHIFT RETURN	1	
24	09444-20001	SPRING, SHIFT RETURN	1	
25	09181-14167	WASHER, GEAR SHAFT, RH	2	14X22X1.0
26	08331-3114A	CIRCLIP, GEAR SHAFT	3	
27	25520-40F00	ARM, GEAR SHIFT LINK	1	
28	25526-47000	·COVER, DUST	1	
29-1	25525-26B10	ROD, GEAR SHIFT LINK	1	MODEL K6 L:85
29-2	25525-11C00	PAD, GEAR SHIFT LINK	1	MODEL K7/K8/K9/L0 L:90

FIG.23

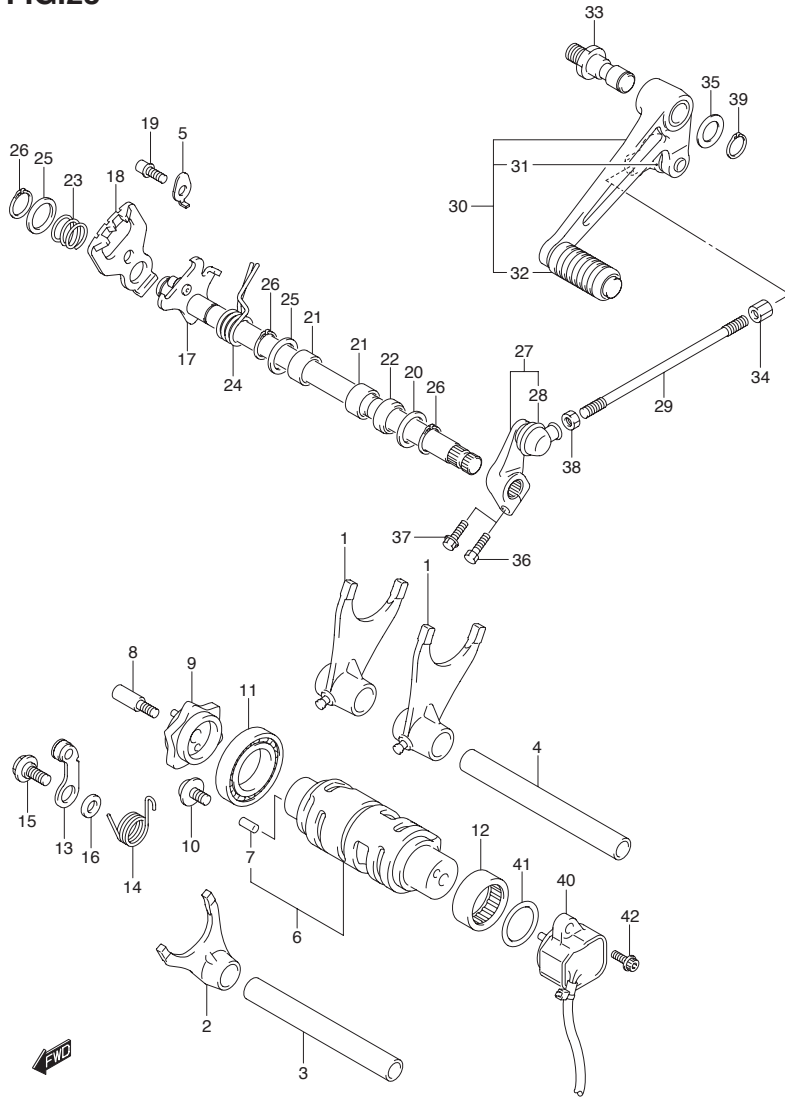


FIG.23 (1-D-5) GEAR SHIFTING

REF NO.	PART NO.	DESCRIPTION	Q'TY	REMARKS
30	25600-17G00	LEVER ASSY, GEAR SHIFT	1	
31	25526-47000	COVER, DUST	1	
32	25652-20C00	RUBBER, GEAR PEDAL	1	
33	25617-03F10	SHAFT, GEAR SHIFT LEVER	1	
34	09140-06025	NUT, GEAR SHIFT ROD, LH	1	
35	09160-12011	WASHER, GEAR SHIFT LEVER	1	12.5X20X1
36	01500-0625A	BOLT, GEAR SHIFT ARM	1	MODEL K6/K7/K8
37	01547-0625A	BOLT, GEAR SHIFT ARM	1	MODEL K9/L0
38	08310-00067	NUT, GEAR SHIFT ROD, RH	1	
39	08331-3112A	CIRCLIP, GEAR SHIFT LEVER	1	
40	37730-41G01	SENSOR ASSY, GEAR POSITION	1	
41	09280-26005	O RING, GEAR SHIFT	1	DD:2.4, ID:26.2
42	09106-05023	BOLT, GEAR SHIFT SW	2	

FIG.24

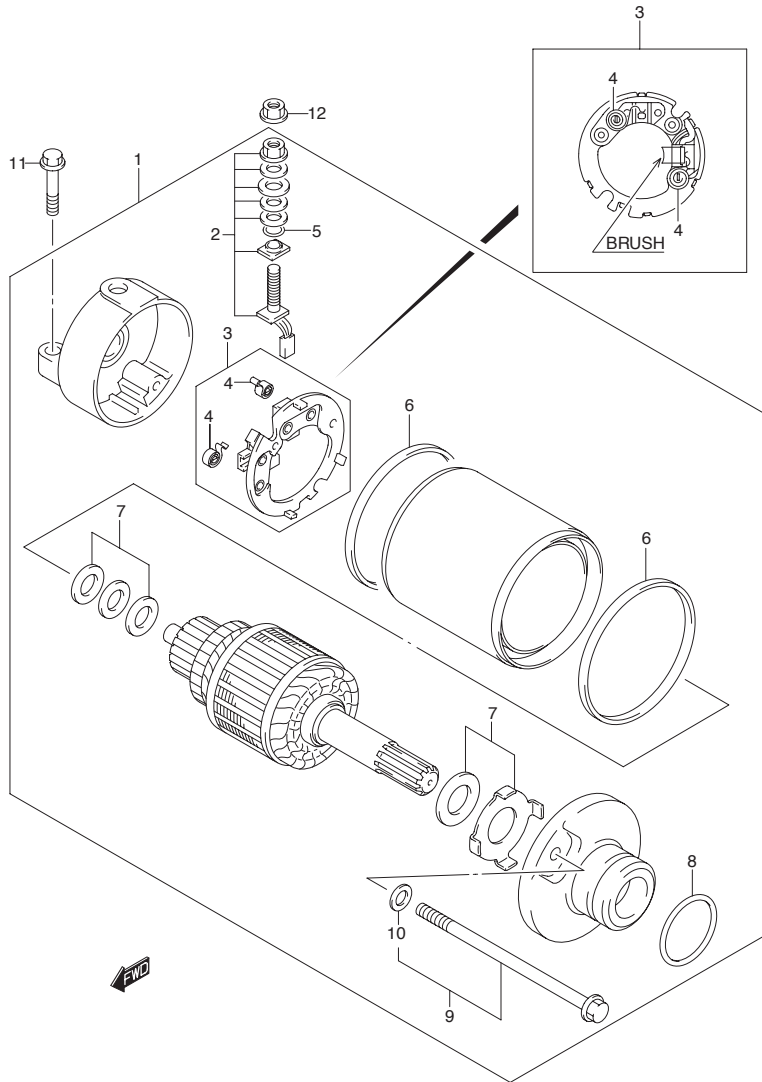


FIG.24 (1-D-6) STARTING MOTOR (MODEL K6/K7)

REF NO.	PART NO.	DESCRIPTION	Q'TY	REMARKS
1	31100-35F00	MOTOR ASSY, STARTING	1	
2	31130-13E00	·BRUSH TERMINAL SET	1	
3	31132-33E00	·BRUSH HOLDER SET	1	
4	31135-31300	··SPRING, BRUSH	2	
5	31143-49040	·O RING	1	
6	31264-13E00	·O RING	2	
7	31170-19B10	·WASHER SET	1	
8	09280-24003	·O RING (D:3.10, ID:24.5)	2	
9	31280-13E00	·BOLT	2	
10	31156-13E00	··O RING	2	
11	09103-06212	SCREW (6X25)	2	
12	08361-3506A	NUT	1	

REFER TO FIG.24A (1-D-7) FOR MODEL K8/K9/L0

FIG.24A

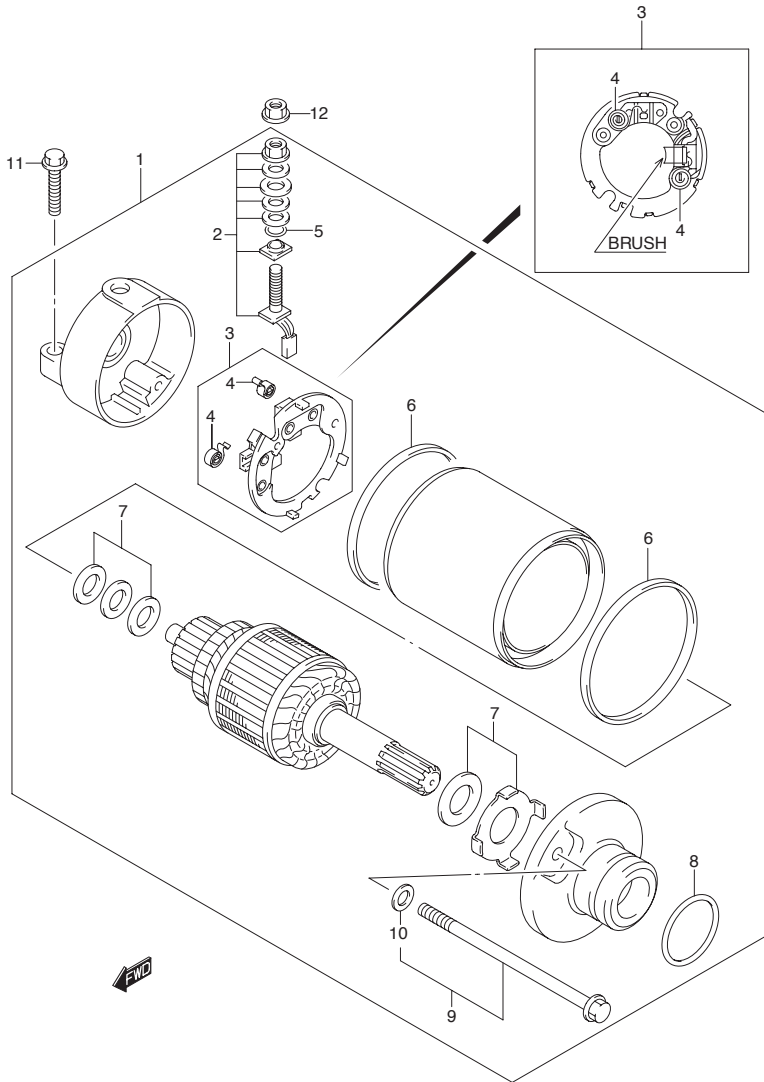


FIG.24A (1-D-7) STARTING MOTOR (MODEL K8/K9/L0)

REF NO.	PART NO.	DESCRIPTION	Q'TY	REMARKS
1	31100-44G00	MOTOR ASSY, STARTING	1	
2	31130-13E00	·BRUSH TERMINAL SET	1	
3	31132-33E00	·BRUSH HOLDER SET	1	
4	31135-31300	··SPRING, BRUSH	2	
5	31143-49040	·O RING	1	
6	31264-13E00	·O RING	2	
7	31170-19B10	·WASHER SET	1	
8	09280-24003	·O RING (D:3.10, ID:24.5)	1	
9	31280-13E00	·BOLT	2	
10	31156-13E00	··O RING	2	
11	09103-06212	BOLT (6X25)	2	
12	08361-3506A	NUT	1	

FIG.25

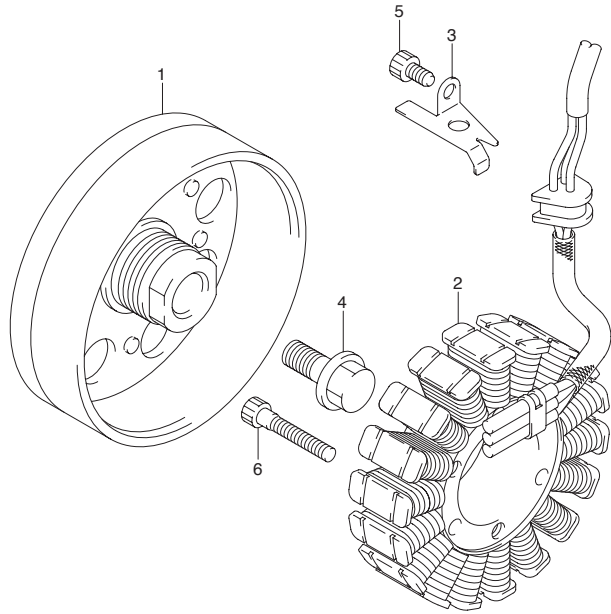


FIG.25 (1-D-8) GENERATOR

REF NO.	PART NO.	DESCRIPTION	Q'TY	REMARKS
1-1	31402-29G00	ROTOR ASSY	1	MODEL K6/K7/K8
1-2	31402-29G20	ROTOR ASSY	1	MODEL K9/L0
2-1	31401-29G00	STATOR ASSY	1	MODEL K6/K7/K8
2-2	31401-29G20	STATOR ASSY	1	MODEL K9/L0
3	32371-33E00	CLAMP, MAG LEAD	1	
4	09103-12005	BOLT (12X23)	1	
5	07130-0612B	BOLT, MAG LEAD	1	
6	07130-0635B	BOLT, STATOR	3	

FIG.26

3

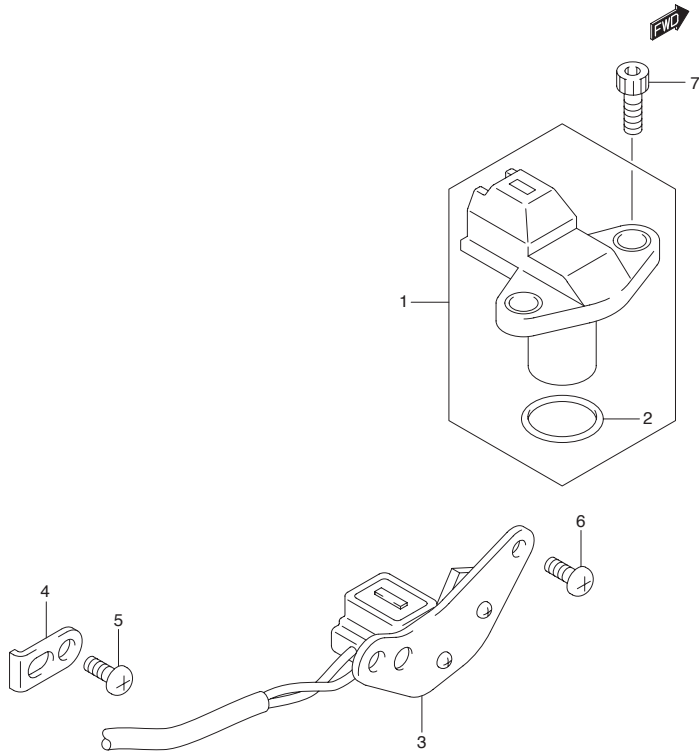


FIG.26 (1-D-9) SIGNAL GENERATOR

REF NO.	PART NO.	DESCRIPTION	Q'TY	REMARKS
1	32160-02F10	SENSOR ASSY, CAM POSITION	1	
2	32161-02F00	PACKING	1	
3	33110-35F00	STATOR, SIGNAL GENERATOR	1	
4	33115-33E00	CLAMP, SIGNAL GENERATOR	1	
5	02112-0510B	SCREW, CLAMP	1	
6	02112-0510B	SCREW, STATOR	2	
7	07130-0616B	BOLT, CAM POSITION	2	

FIG.27

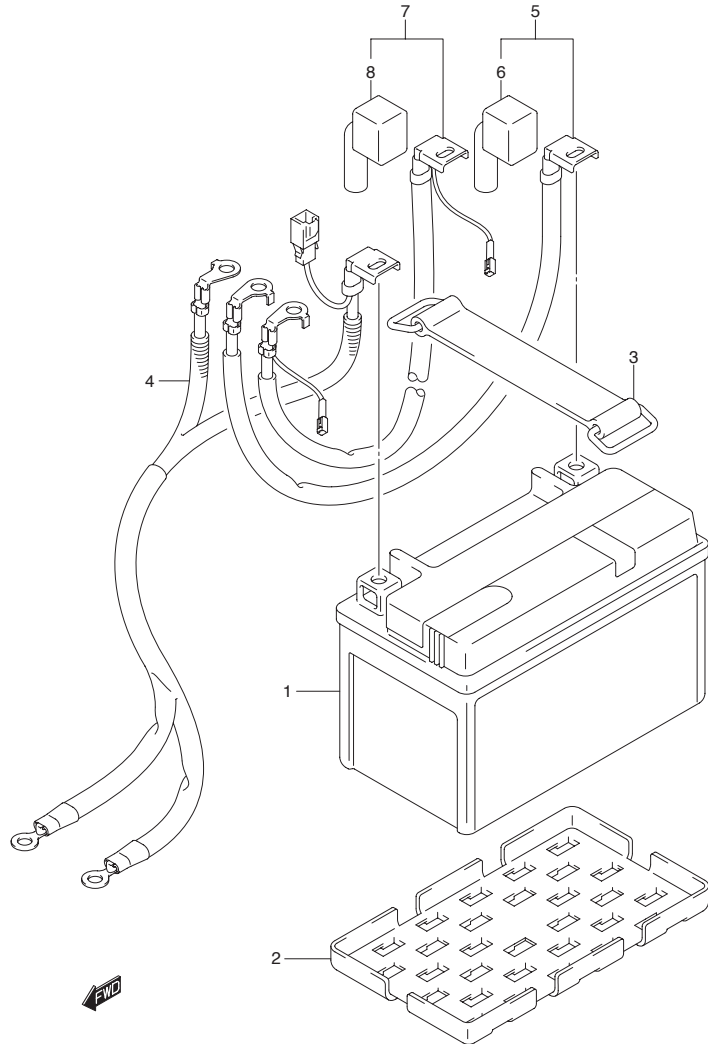


FIG.27 (1-D-10) BATTERY

REF NO.	PART NO.	DESCRIPTION	Q'TY	REMARKS
1	33610-33E20	BATTERY ASSY (12V, 8AH)	1	FTX9-BS
2	33652-16G00	PROTECTOR, BATTERY	1	
3	09462-00007	BAND, BATTERY	1	
4	33810-44G00	WIRE, STARTER MOTOR	1	
5	33820-44G00	WIRE, BATTERY PLUS	1	GSR600K6/K7
6	33624-43500	·CAP, BATTERY PLUS	1	GSR600K6/K7
7	33820-44G20	WIRE, BATTERY PLUS	1	GSR600AK7/AK8/AK9/AL0
8	33624-43500	·CAP, BATTERY PLUS	1	GSR600AK7/AK8/AK9/AL0

FIG.28

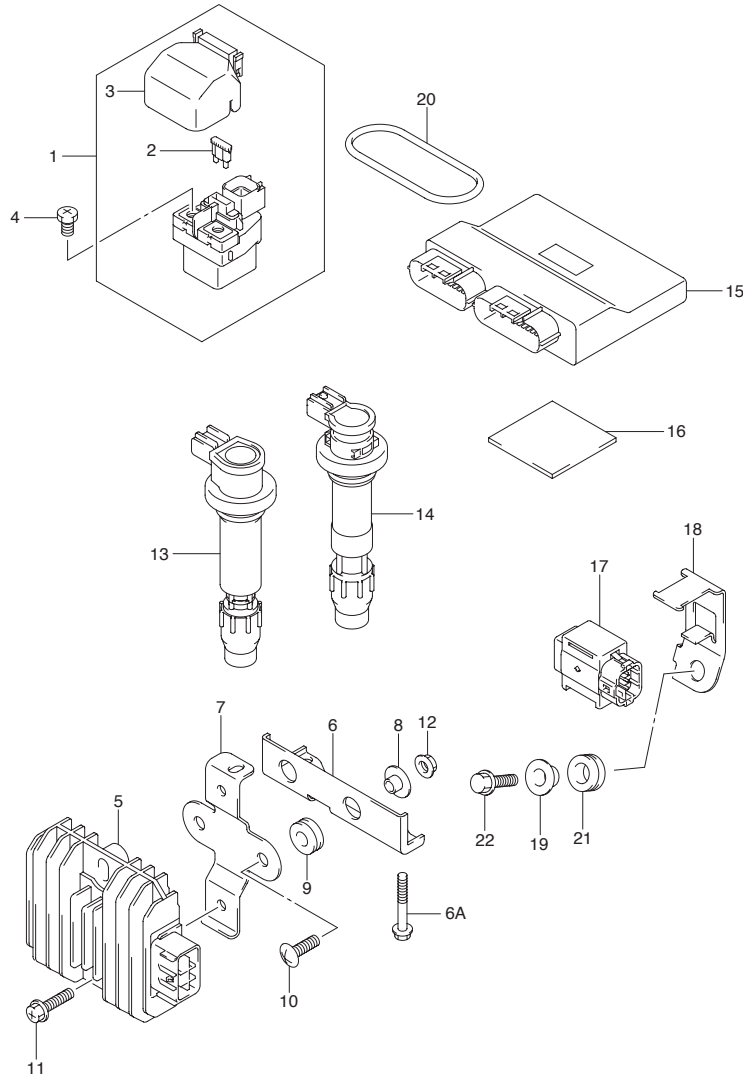


FIG.28 (1-D-11) ELECTRICAL

REF NO.	PART NO.	DESCRIPTION	Q'TY	REMARKS
1	31800-44G00	RELAY ASSY, STARTING MOTOR	1	
2	09481-30501	·FUSE (30A)	2	
3	31861-38G00	·COVER, STARTER	1	
4	09128-06013	BOLT (6X8)	2	
5	32800-44G01	RECTIFIER ASSY	1	
6	32831-44G10	BRACKET, RECT FTG NO.1	1	
6A	01547-0640A	BOLT, CRANKCASE MIDDLE	2	
7	32831-44G20	BRACKET, RECT FTG NO.2	1	
8	09180-06325	SPACER, RECT FTG BRKT	2	
9	09320-08066	CUSHION, RECT FTG BRKT	2	
10	02142-0616B	BOLT, RECT BRKT	2	
11	02162-0620B	BOLT, RECTIFIER	2	
12	08316-1006B	NUT, RECT BRKT	2	
13	33410-29G00	COIL ASSY, IGNITION	4	MODEL K6/K7/K8
14	33410-37H00	COIL ASSY, IGNITION	4	MODEL K9/L0
15-1	32920-44G00	CONTROL UNIT, FI	1	MODEL K6/K7/K8
15-2	32920-44GA0	CONTROL UNIT, FI	1	MODEL K9/L0
16	33652-07D00	CUSHION, FI (80X80X2)	2	CUT AS REQUIRED PROFILE (20X90)
17	33960-06G10	SENSOR ASSY, FUEL CUT	1	
18	33961-41F00	BRACKET, FUEL CUT SENSOR	1	
19	09180-06325	SPACER, BRKT	1	
20	09280-85001	BAND, FI CONTROL UNIT	1	DD:3.5, ID:85
21	09320-06017	CUSHION, FUEL CUT	1	
22-1	01550-0616B	BOLT, FUEL BRKT	1	MODEL K6/K7/K8
22-2	01550-0616A	BOLT, FUEL BRKT	1	MODEL K9/L0

FIG.29

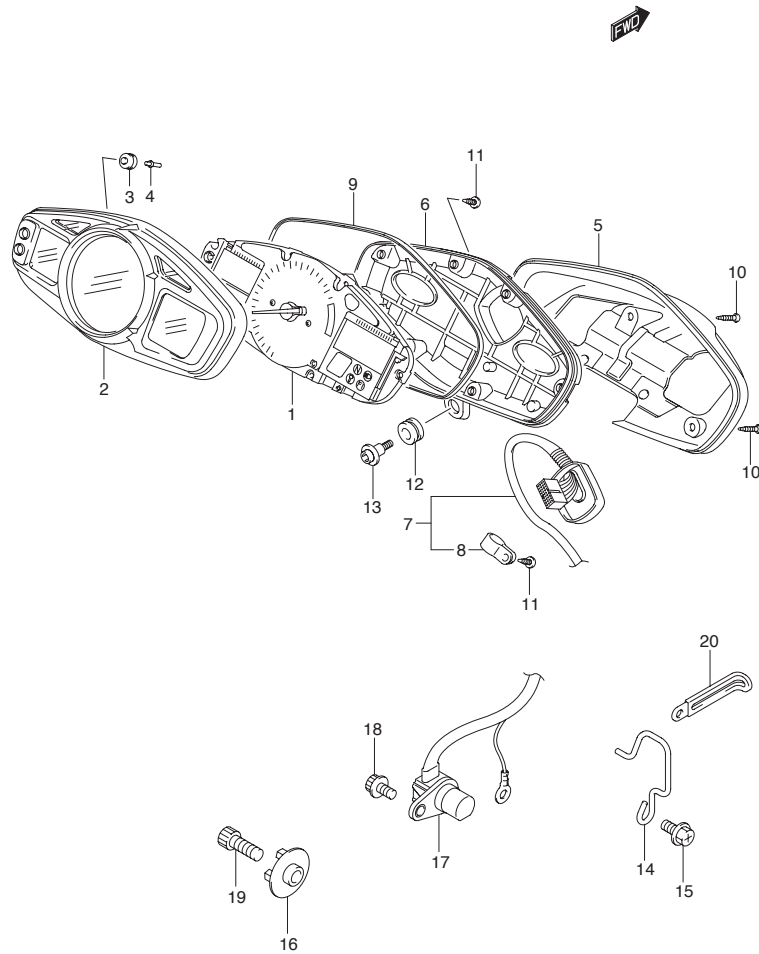


FIG.29 (1-D-12) SPEEDOMETER (GSR600K6/K7)

REF NO.	PART NO.	DESCRIPTION	Q'TY	REMARKS
1	34120-44G00	SPEED & TACHOMETER ASSY	1	
2	34150-44G00	CASE, SPEEDOMETER	1	
3	34126-44G00	COVER, SPEEDOMETER KNOB	2	
4	34124-44G00	KNOB, SPEEDOMETER	2	
5	34156-44G00	COVER, SPEEDOMETER LOWER	1	
6	34152-44G00	CASE, SPEEDOMETER LOWER	1	
7	34175-44G00	WIRE, SPEEDOMETER LEAD	1	
8	34146-44G00	CLAMP, LEAD WIRE	1	
9	34153-44G00	GASKET, SPEEDOMETER CASSE	1	
10	34183-29F00	SCREW (3X12)	8	
11	34955-44G00	CUSHION	1	
12	34149-16B00	SCREW (4X14)	3	
13	34149-18G00	SCREW, SPEEDOMETER	1	
14	36619-44G00	GUIDE, SPEEDOMETER LEAD	1	
15	01550-0612B	BOLT	1	
16	34981-38G01	ROTOR, SPEED	1	
17	34990-35F00	SENSOR, SPEED	1	
18	07120-0512B	BOLT, SPEED SENSOR	1	
19	07130-0825B	BOLT, SPEED ROTOR	1	
20	09404-06429	CLAMP (L:45)	1	

REFER TO FIG.29A (1-D-13) FOR GSR600AK7/AK8
 REFER TO FIG.29B (1-D-14) FOR GSR600AK9/AL0

FIG.29A

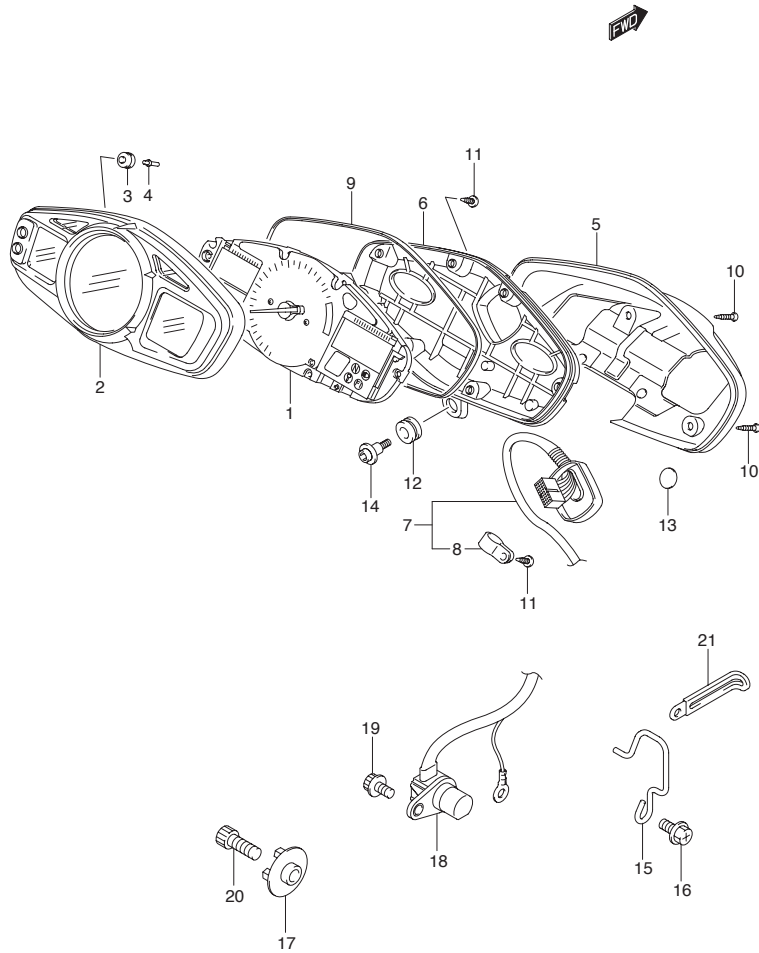


FIG.29A (1-D-13) SPEEDOMETER (GSR600AK7/AK8)

REF NO.	PART NO.	DESCRIPTION	Q'TY	REMARKS
1	34120-44G20	SPEED & TACHOMETER ASSY	1	
2	34150-44G00	CASE, SPEEDOMETER	1	
3	34126-44G00	COVER, SPEEDOMETER KNOB	2	
4	34124-44G00	KNOB, SPEEDOMETER	2	
5	34156-44G00	COVER, SPEEDOMETER LOWER	1	
6	34152-44G00	CASE, SPEEDOMETER LOWER	1	
7	34175-44G20	WIRE, SPEEDOMETER LEAD	1	
8	34146-44G00	CLAMP, LEAD WIRE	1	
9	34153-44G00	GASKET, SPEEDOMETER CASSE	1	
10	34149-16B00	SCREW (4X14)	3	
11	34183-29F00	SCREW (3X12)	8	
12	34955-44G00	CUSHION	1	
13	34167-13E00	SEAL	4	
14	34149-18G00	SCREW	1	
15	36619-44G00	GUIDE, SPEEDOMETER LEAD	1	
16	01550-0612B	BOLT	1	
17	34981-38G01	ROTOR, SPEED	1	
18	34990-35F00	SENSOR, SPEED	1	
19	07120-0512B	BOLT, SPEED SENSOR	1	
20	07130-0825B	BOLT, SPEED ROTOR	1	
21	09404-06429	CLAMP (L:45)	1	

REFER TO FIG.29B (1-D-14) FOR GSR600AK9/AL0

FIG.29B

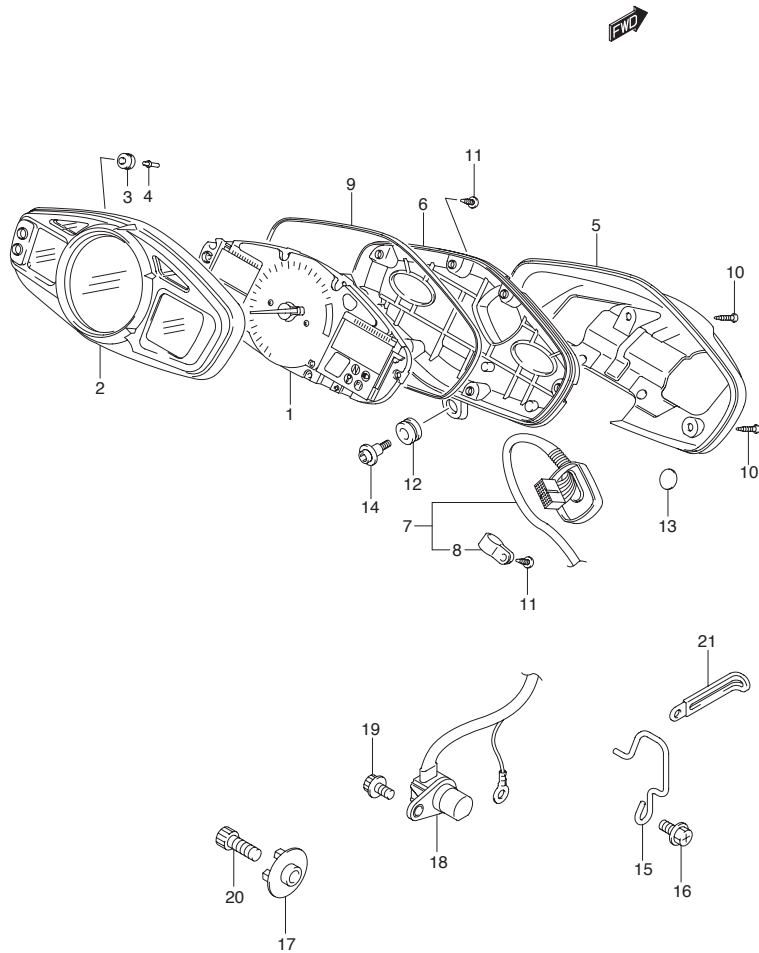


FIG.29B (1-D-14) SPEEDOMETER (GSR600AK9/ALO)

REF NO.	PART NO.	DESCRIPTION	Q'TY	REMARKS
1	34120-44G60	SPEED & TACHOMETER ASSY	1	
2	34150-44G00	CASE, SPEEDOMETER	1	
3	34126-44G00	COVER, SPEEDOMETER KNOB	2	
4	34124-44G00	KNOB, SPEEDOMETER	2	
5	34156-44G00	COVER, SPEEDOMETER LOWER	1	
6	34152-44G00	CASE, SPEEDOMETER LOWER	1	
7	34175-44G20	WIRE, SPEEDOMETER LEAD	1	
8	34146-44G00	CLAMP, LEAD WIRE	1	
9	34153-44G00	GASKET, SPEEDOMETER CASSE	1	
10	34149-16B00	SCREW (4X14)	3	
11	34183-29F00	SCREW (3X12)	8	
12	34955-44G00	CUSHION	1	
13	34167-13E00	SEAL	4	
14	34149-18G00	SCREW	1	
15	36619-44G00	GUIDE, SPEEDOMETER LEAD	1	
16	01550-0612B	BOLT	1	
17	34981-38G01	ROTOR, SPEED	1	
18	34990-35F00	SENSOR, SPEED	1	
19	07120-0512B	BOLT, SPEED SENSOR	1	
20	07130-0825B	BOLT, SPEED ROTOR	1	
21	09404-06429	CLAMP (L:45)	1	

FIG.30

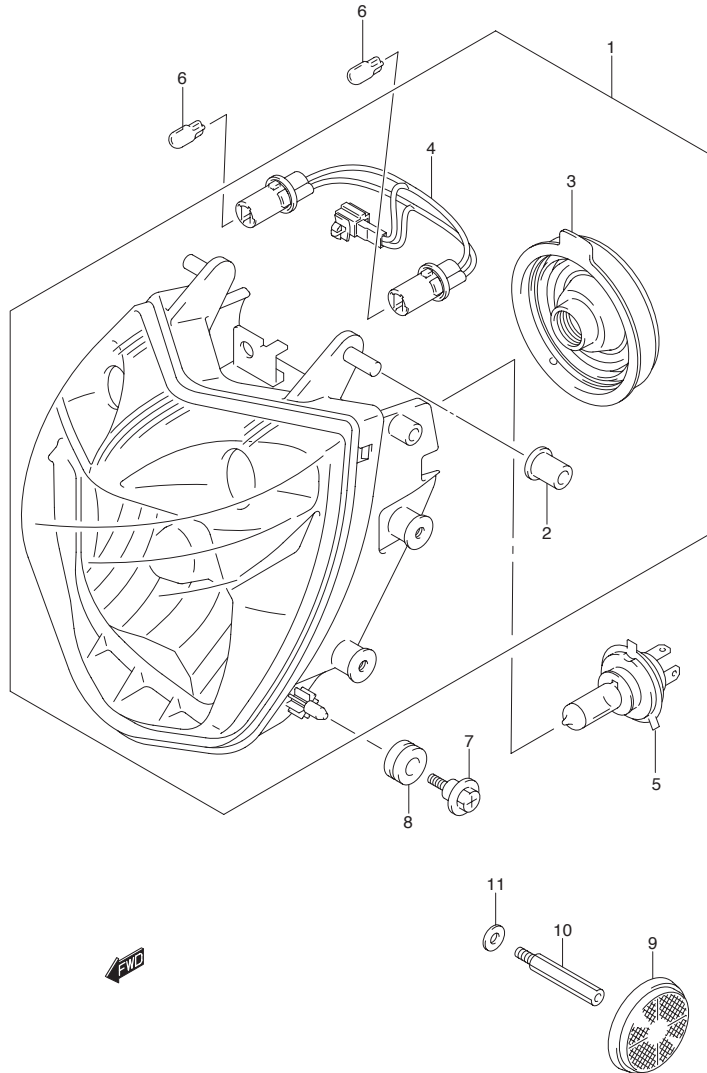


FIG.30 (1-D-15) HEADLAMP

REF NO.	PART NO.	DESCRIPTION	Q'TY	REMARKS
1	35100-44G01-999	HEADLAMP ASSY	1	
2	09320-07010	·CUSHION	2	
3	35125-77A00	·COVER	1	
4	36118-44G00	·CORD ASSY	1	
5	09471-12185	BULB (12V60/55W, H4)	1	
6	09471-12216	BULB (12V 5W)	2	
7	09139-06118	BOLT, HEADLAMP	4	
8	09320-10501	CUSHION	4	
9-1	35950-14A00	REFLEX REFLECTOR ASSY, FR	2	MODEL K6/K7, L:8
9-2	35950-14A10	REFLEX REFLECTOR ASSY, FR	2	MODEL K8/K9/L0, L:10
10	09119-05023	BOLT	2	
11	08322-0105B	WASHER	2	

3

FIG.31

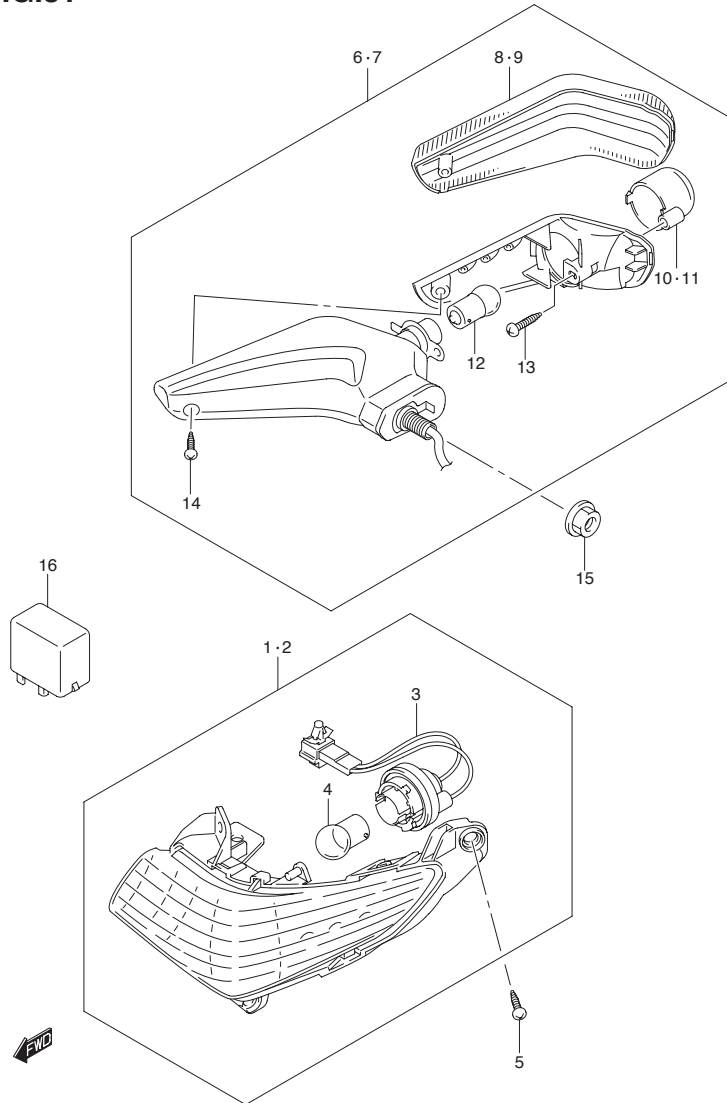


FIG.31 (1-E-2) TURN SIGNAL LAMP

REF NO.	PART NO.	DESCRIPTION	Q'TY	REMARKS
1	35601-44G00	LAMP ASSY, FRONT TURN RH	1	
2	35602-44G00	LAMP ASSY, FRONT TURN LH	1	
3	35618-44G00	·SOCKET & CORD	2	
4	09471-12142	·BULB (12V10W)	2	
5	03541-0516B	SCREW	6	
6	35603-44G01	LAMP ASSY, REAR TURN RH	1	
7	35604-44G01	LAMP ASSY, REAR TURN LH	1	
8	35652-44G00	·LENS, TURN R	1	
9	35672-44G00	·LENS, TURN, L	1	
10	35657-44G00	·COVER, TURN, R	1	
11	35677-44G00	·COVER, TURN, L	1	
12	09471-12142	·BULB (12V10W)	2	
13	03211-04146	·SCREW	2	
14	35655-44G00	·SCREW	2	
15	08316-1010A	NUT	2	
16	38610-12FA0	RELAY ASSY, TURN SIGNAL	1	

FIG.32

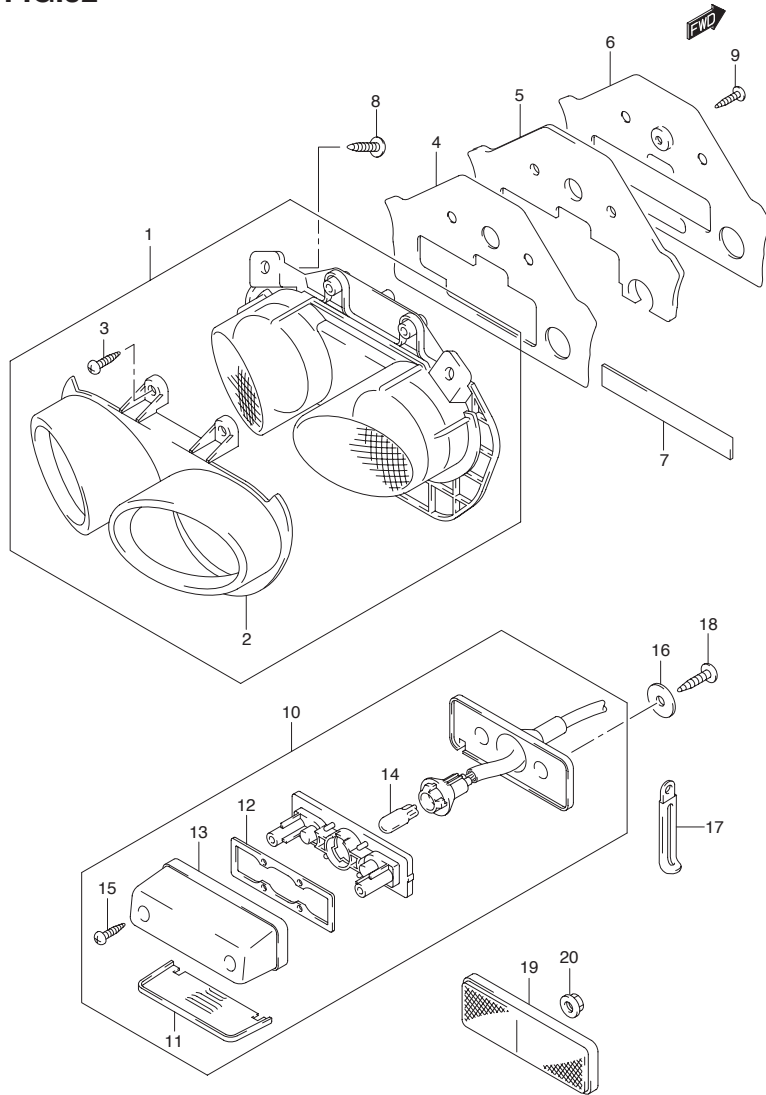


FIG.32 (1-E-3) REAR COMBINATION LAMP

REF NO.	PART NO.	DESCRIPTION	Q'TY	REMARKS
1-1	35710-44G00-YD8	LAMP ASSY, RR COMB (SILVER)	1	MODEL K6/K7
1-2	35710-44G00-YKV	LAMP ASSY, RR COMB (BLACK)	1	MODEL K8/K9/L0
1-3	35710-44G00-YUS	LAMP ASSY, RR COMB (SILVER)	1	MODEL K9
2-1	35711-44G00-YD8	·RIM, REAR COMB (SILVER)	1	MODEL K6/K7/L0
2-2	35710-44G00-YKV	·RIM, REAR COMB (BLACK)	1	MODEL K8/K9
3	03211-0412A	·SCREW	2	
4	35782-44G00	SHIELD, REAR COMB HEAT	1	
5	33652-44G00	CUSHION, REAWR COMB	1	
6	35783-44G00	COVER, REAR COMB	1	
7	35784-44G00	FASTENER, REAR COMB	2	
8	03541-0512A	SCREW	1	
9	03541-0516B	SCREW, REAR COMB	3	
10	35910-16G60	LAMP ASSY, LICENSE	1	
11	35912-16G00	·LENS	1	
12	35913-16G00	·GASKET	1	
13	35917-16G00	·COVER	1	
14	09471-12216	·BULB (12V5W)	1	
15	03211-0416A	·SCREW	2	
16	09160-05501	WASHER (5.5X20X1.2)	2	
17	09404-06433	CLAMP (L:80)	1	
18	03541-0516B	SCREW, LICENSE LAMP	2	
19	35970-07F01	REFLECTOR ASSY, REAR SIDE	1	
20	08316-1005B	NUT, REAR	1	

FIG.33

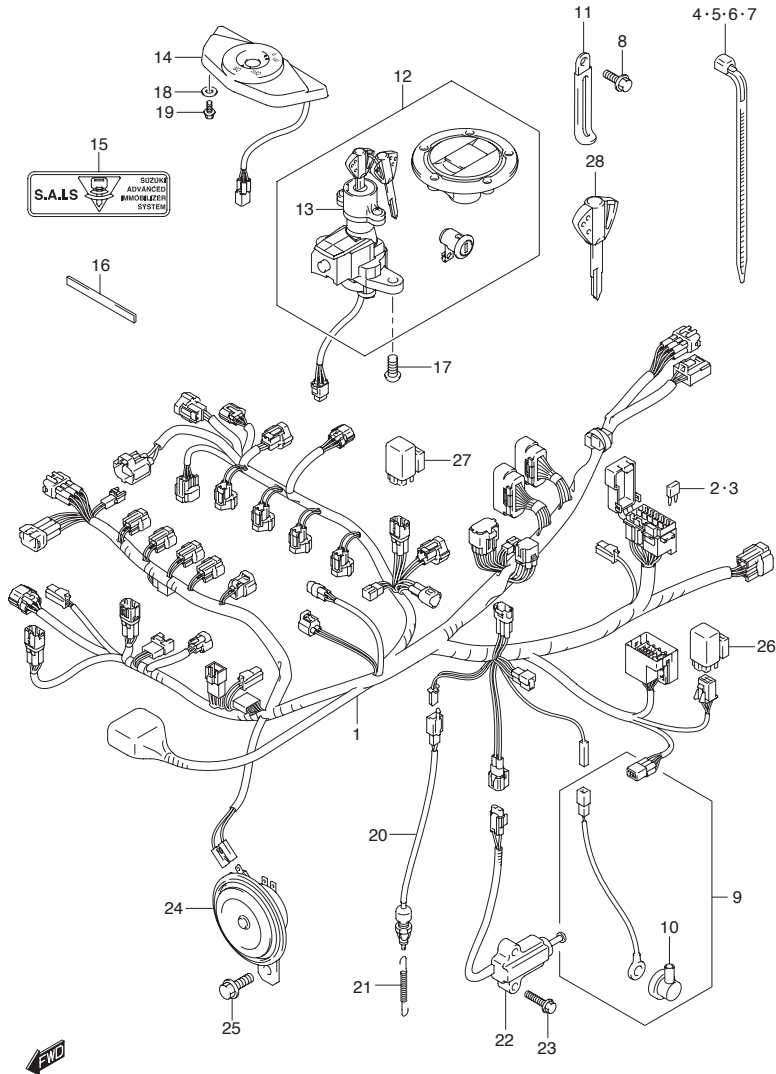


FIG.33 (1-E-4) WIRING HARNESS (GSR600K6/K7)

REF NO.	PART NO.	DESCRIPTION	Q'TY	REMARKS
1	36610-44G10	HARNESS, WIRING	1	
2	09481-10501	·FUSE (10A)	4	
3	09481-15501	·FUSE (15A)	2	
4	09407-11401	CLAMP (L:95)	3	
5	09407-14403	CLAMP (L:125)	2	
6	09407-18402	CLAMP (L:165)	1	
7	09407-19401	CLAMP (L:190)	1	
8	01550-0612B	BOLT	2	
9	36851-44G00	WIRE, OIL PRESSURE LEAD	1	
10	36618-43410	·CAP, OIL PRESSURE	1	
11	09404-06429	CLAMP (L:45)	2	
12	37000-44850	LOCK SET	1	
13	37100-44G00	·LOCK ASSY, STEERING	1	
14	37180-44G00	ANTENNA ASSY, IMMOBILIZER	1	
15	37183-42F00	LABEL, IMMOBILIZER	1	
16	37187-44G00	PROTECTOR, IGNITION SW	1	10X90X2.5
17	09139-08016	SCREW, STEERING LOCK	2	
18	09160-05037	WASHER, IMMOBILIZER	2	
19	01550-0510B	BOLT, IMMOBILIZER	2	
20	37740-45D00	SWITCH ASSY, STOP LAMP	1	
21	09443-06016	SPRING	1	
22	37840-35F00	SWITCH ASSY, SIDE STAND	1	
23	01550-0616B	BOLT	2	
24	38500-44G00	HORN ASSY	1	
25	01550-0612B	BOLT	1	
26	38740-24X50	RELAY ASSY, FUEL PUMP	1	
27	38740-24X50	RELAY ASSY, FAN MOTOR	1	
28	37146-41G00	KEY, BLANK	1	OPT

REFER TO FIG.33A (1-E-5) FOR GSR600AK7/AK8/AK9/ALO

FIG.33A

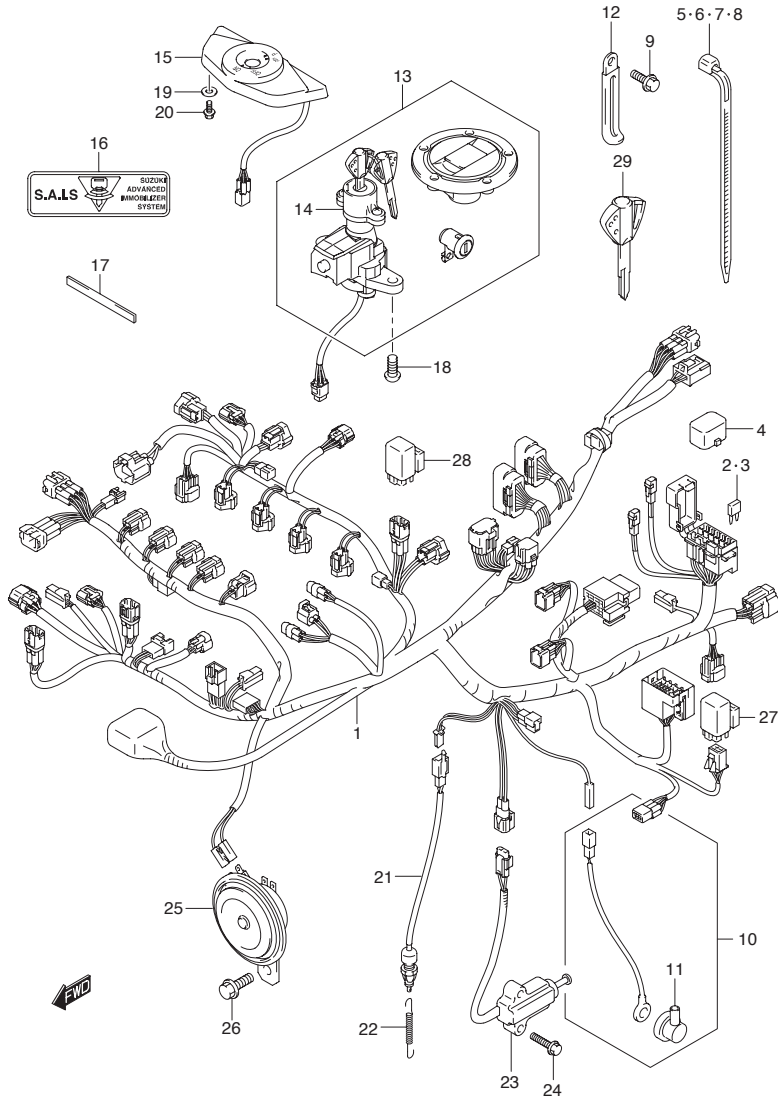


FIG.33A (1-E-5) WIRING HARNESS (GSR600AK7/AK8/AK9/AL0)

REF NO.	PART NO.	DESCRIPTION	Q'TY	REMARKS
1	36610-44G20	HARNESS, WIRING	1	
2	09481-10501	·FUSE (10A)	4	
3	09481-15501	·FUSE (15A)	2	
4	36654-23H00	CAP, TS	1	
5	09407-11401	CLAMP (L:95)	4	
6	09407-14403	CLAMP (L:125)	2	
7	09407-18402	CLAMP (L:165)	1	
8	09407-19401	CLAMP (L:190)	1	
9-1	01550-0612B	BOLT	2	MODEL K7/K8
9-2	01550-0612A	BOLT	1	MODEL K9/L0
10	36851-44G00	WIRE, OIL PRESSURE LEAD	1	
11	36618-43410	·CAP, OIL PRESSURE	1	
12	09404-06429	CLAMP (L:45)	2	
13	37000-44850	LOCK SET	1	
14	37100-44G00	·LOCK ASSY, STEERING	1	
15	37180-44G00	ANTENNA ASSY, IMMOBILIZER	1	
16	37183-42F00	LABEL, IMMOBILIZER	1	
17	37187-44G00	PROTECTOR, IGNITION SW	1	
18	09139-08016	SCREW, STEERING LOCK	2	
19	09160-05037	WASHER, IMMOBILIZER	2	
20	01550-0510A	BOLT, IMMOBILIZER	2	
21	37740-45D00	SWITCH ASSY, STOP LAMP	1	
22	09443-06016	SPRING	1	
23	37840-25D00	SWITCH ASSY, SIDE STAND	1	
24	01550-0616B	BOLT	2	
25	38500-44G00	HORN ASSY	1	
26	01550-0612A	BOLT	1	
27	38740-24X50	RELAY ASSY, FUEL PUMP	1	
28	38740-24X50	RELAY ASSY, FAN MOTOR	1	
29	37146-41G00	KEY, BLANK	1	OPT

FIG.34

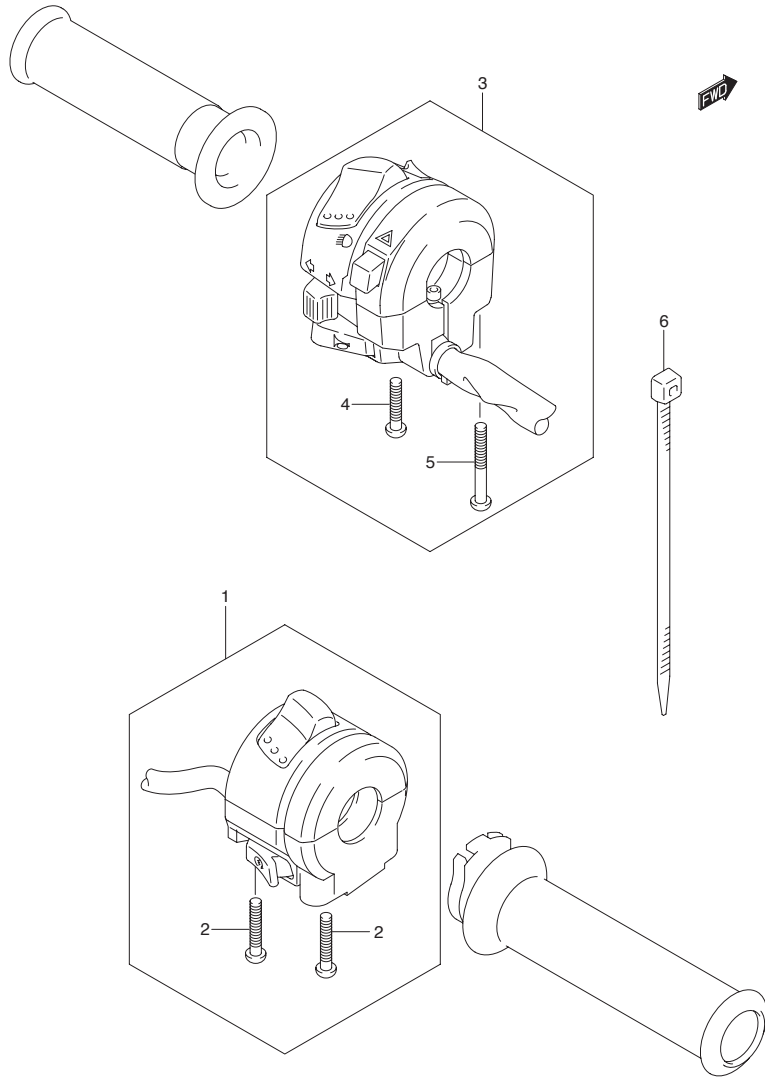


FIG.34 (1-E-6) HANDLE SWITCH

REF NO.	PART NO.	DESCRIPTION	Q'TY	REMARKS
1	37200-44G30	SWITCH ASSY, HANDLE RH	1	
2	02112-0530B	·SCREW	2	
3	37400-44G11	SWITCH ASSY, HANDLE LH	1	
4	02112-0525B	·SCREW	1	
5	02112-0545B	·SCREW	1	
6	09407-14407	CLAMP (L:145)	2	

FIG.35

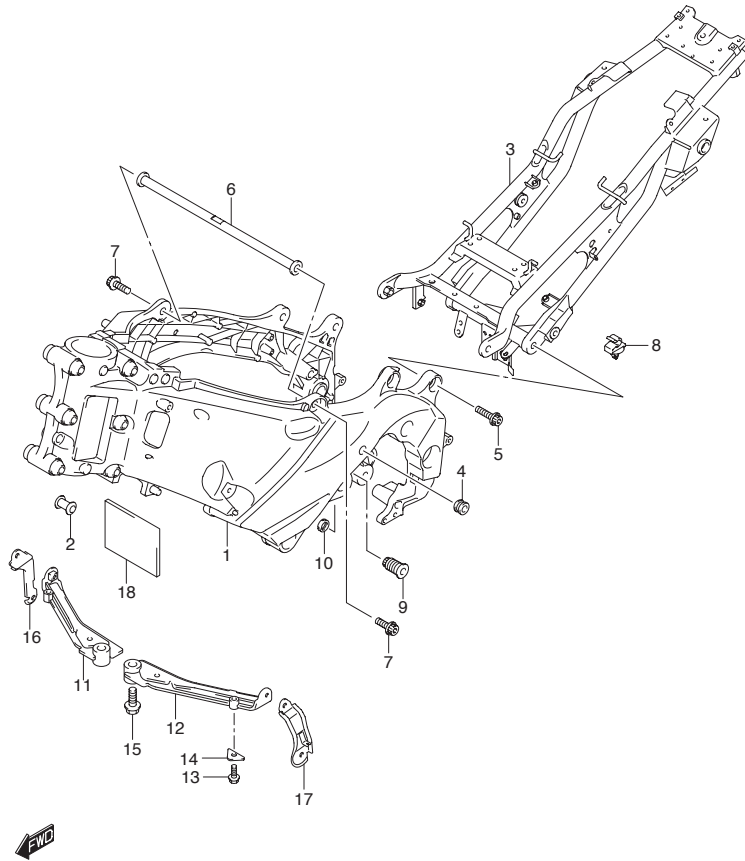


FIG.35 (1-E-7) FRAME (GSR600K6/K7)

REF NO.	PART NO.	DESCRIPTION	Q'TY	REMARKS
1-1	41100-44G20-YD8	FRAME (SILVER)	1	MODEL K6 →41100-44G20-YD8 W/17710-44G10 17771-44G10 17855-44G10 41750-44G20 07120-1045B (2P) 01550-0845B (2P)
1-2	41100-44G20-YAP	FRAME (BLACK)	1	MODEL K7 FOR YD8, YBD ~JS1B9111100133946 ~JS1B9111300100663 ~JS1B9211100107362 →41100-44G20-YD8 W/17710-44G10 17771-44G10 17855-44G10 41750-44G20 07120-1045B (2P) 01550-0845B (2P)
1-3	41100-44G20-YD8	FRAME (SILVER)	1	MODEL K7 FOR YKV, YBA, YHL ~JS1B9111100133946 ~JS1B9111300100663 ~JS1B9211100107362 →41100-44G20-YD8 W/17710-44G10 17771-44G10 17855-44G10 41750-44G20 07120-1045B (2P) 01550-0845B (2P)
1-4	41100-44G20-YAP	FRAME (BLACK)	1	MODEL K7 FOR YD8, YBD JS1B9111100133947~ JS1B9111300100664~ JS1B9211100107363~
1-5	41100-44G20-YD8	FRAME (BLACK)	1	MODEL K7 FOR YKV, YBA, YHL JS1B9111100133947~ JS1B9111300100664~ JS1B9211100107363~
2	41147-44G00	CAP, FRAME HEAD	1	
REFER TO FIG.35A (1-E-9) FOR GSR600AK7 REFER TO FIG.35B (1-E-10) FOR GSR600AK8/AK9/ALO				

FIG.35

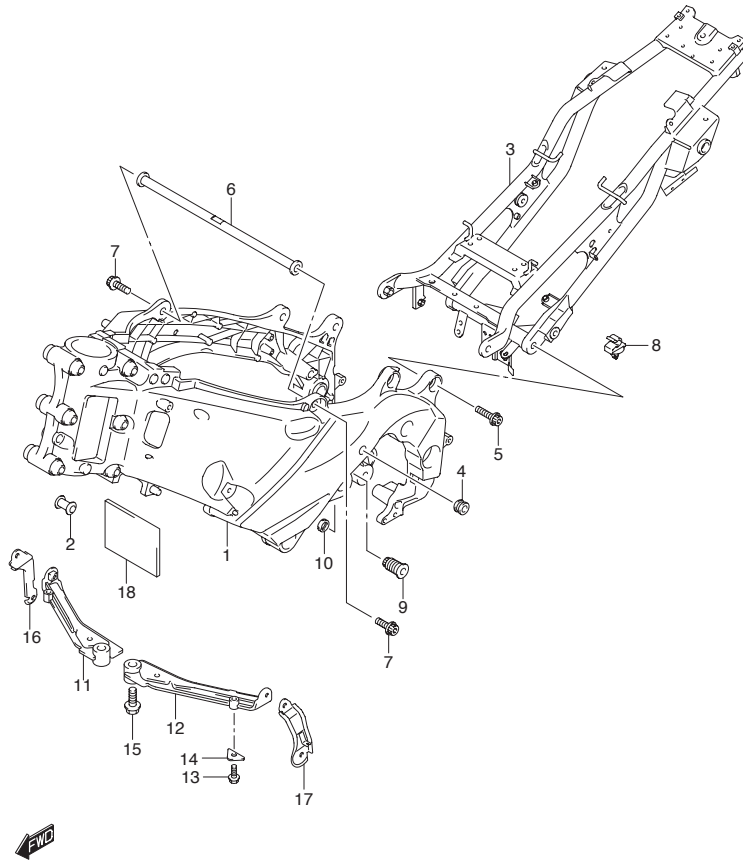


FIG.35 (1-E-8) FRAME (GSR600K6/K7)

REF NO.	PART NO.	DESCRIPTION	Q'TY	REMARKS
3-1	41200-44G00	RAIL, SEAT	1	MODEL K6
3-2	41200-44G11	RAIL, SEAT	1	MODEL K7
4-1	43585-44G10	CAP, TANK RAIL	2	
4-2	43585-44G20	CAP, TANK RAIL	2	MODEL K7 FOR YD8, YBD
5-1	07120-1030B	BOLT	4	MODEL K6
5-2	09106-10083	BOLT	4	MODEL K7
6	41750-44G00	TUBE, FRAME	1	
7	07120-1025A	BOLT	2	
8	18214-75F00	CLAMP	2	
9	41921-35F00	BOLT, ADJUST	1	
10	41922-18G00	NUT	1	
11	41730-44G00	PLATE, FRAME FRONT RH	1	
12	41740-44G00	PLATE, FRAME FRONT LH	1	
13	09103-06286	BOLT	2	
14	41149-44G00	WASHER	2	
15	09106-08131	BOLT	2	
16	41770-44G00	PLATE, FRAME RH	1	
17	41780-44G00	PLATE, FRAME LH	1	
18	41148-44G00	CUSHION, FRONT	1	

REFER TO FIG.35A (1-E-9) FOR GSR600AK7
 REFER TO FIG.35B (1-E-10) FOR GSR600AK8/AK9/AL0

FIG.35A

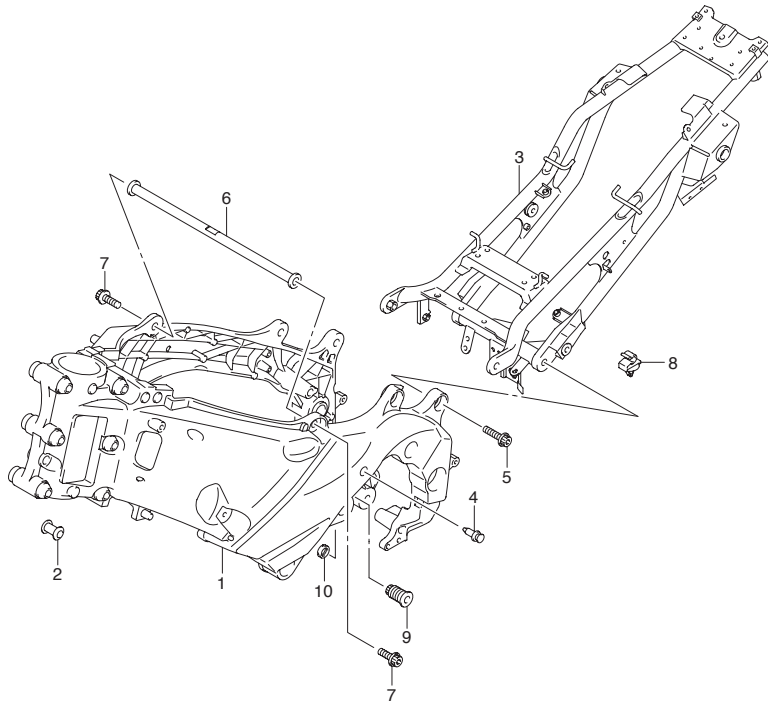


FIG.35A (1-E-9) FRAME (GSR600AK7)

REF NO.	PART NO.	DESCRIPTION	Q'TY	REMARKS
1-1	41100-44G20-YD8	FRAME (SILVER)	1	FOR YKV,YBA,YHL
1-2	41100-44G20-YAP	FRAME (BLACK)	1	FOR YD8,YBD
2	41147-44G00	CAP, FRAME HEAD	1	
3	41200-44G20	RAIL, SEAT	1	
4-1	09409-09308	PLUG, TANK RAIL	2	FOR YKV,YBA,YHL
4-2	09409-09307	PLUG, TANK RAIL	2	FOR YD8,YBD
5	09106-10083	BOLT	4	
6	41750-44G30	TUBE, FRAME	1	
7	07120-1045B	BOLT	2	
8	18214-75F00	CLAMP	2	
9	41921-35F00	BOLT, ADJUST	1	
10	41922-18G00	NUT	1	

REFER TO FIG.35B (1-E-10) FOR GSR600AK8/AK9/AL0

4



FIG.35B

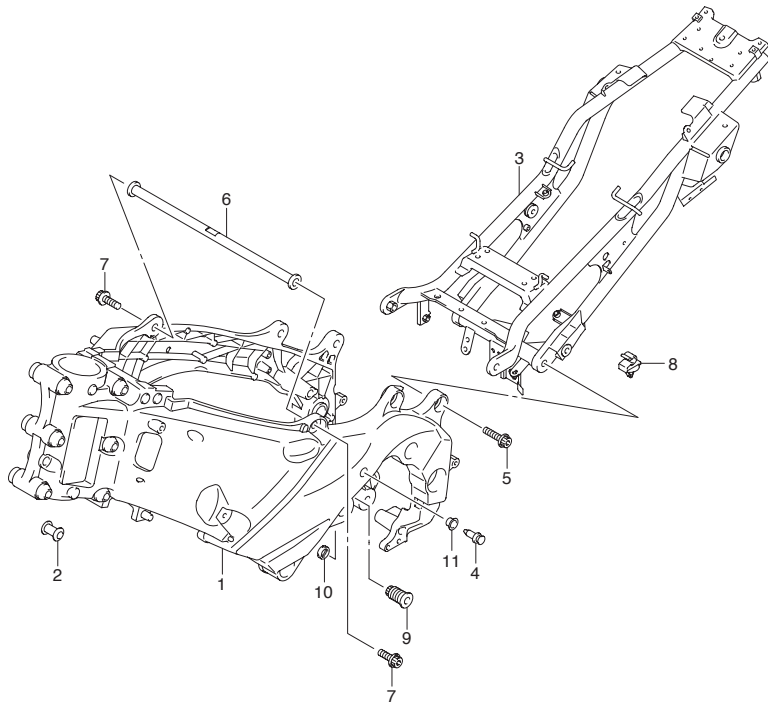


FIG.35B (1-E-10) FRAME (GSR600AK8/AK9/AL0)

REF NO.	PART NO.	DESCRIPTION	Q'TY	REMARKS
1-1	41100-44G20-YAP	FRAME (BLACK)	1	MODEL K8
1-2	41100-44G20-YUS	FRAME (SILVER)	1	MODEL K9 FOR YPA
1-3	41100-44G20-YAP	FRAME (BLACK)	1	MODEL K9 FOR YAY, YHG, GUL
1-4	41100-44G20-YAP	FRAME (BLACK)	1	MODEL L0
2	41147-44G00	CAP, FRAME HEAD	1	
3	41200-44G20	RAIL, SEAT	1	
4-1	09409-09307	PLUG, TANK RAIL	2	
4-2	09409-09308	PLUG, TANK RAIL	2	MODEL K9 FOR YPA
5	09106-10083	BOLT	4	
6-1	41750-44G20	TUBE, FRAME	1	MODEL K8
6-2	41750-44G30	TUBE, FRAME	1	MODEL K9/L0
7	07120-1045B	BOLT	2	
8	18214-75F00	CLAMP	2	
9	41921-35F00	BOLT, ADJUST	1	
10	41922-18G00	NUT	1	
11	43584-44G00	CUSHION, PLUG	2	

COLOR : GUL=YSF (BLUE) , YMD (SILVER)



FIG.36

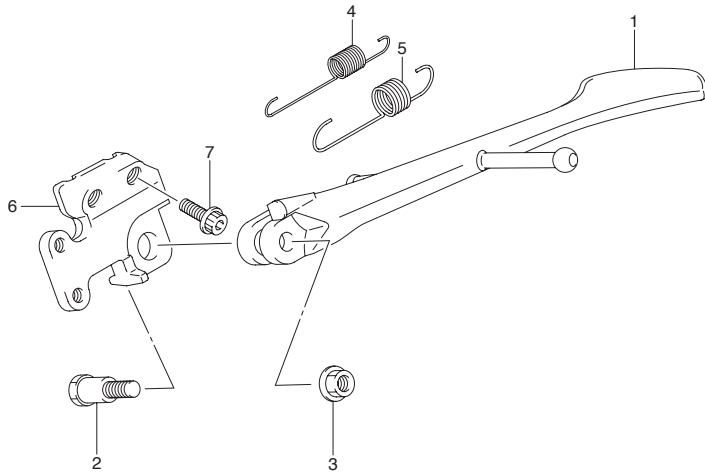
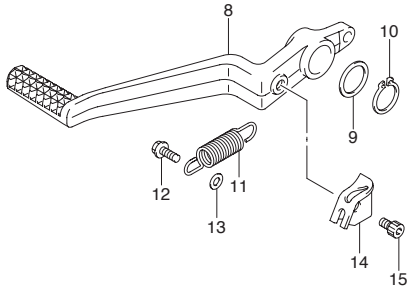


FIG.36 (1-E-11) STAND

REF NO.	PART NO.	DESCRIPTION	Q'TY	REMARKS
1-1	42310-44G00	STAND, PROP	1	MODEL K6/K7
1-2	42310-44G10	STAND, PROP	1	MODEL K8/K9/L0
2	09111-10059	BOLT	1	
3-1	09159-10103	NUT	1	MODEL K6
3-2	09159-10111	NUT	1	MODEL K7/K8/K9/L0
4	09443-14058	SPRING, INNER	1	
5	09443-19011	SPRING, OUTER	1	
6	42330-44G01	BRACKET	1	
7	09106-10064	BOLT	2	
8	43111-44G00	PEDAL, BRAKE	1	
9	09160-18022	WASHER	1	
10	08331-3118A	CIRCLIP	1	
11	09443-11030	SPRING, RETURN	1	
12	02162-0516B	BOLT	1	
13	09169-05008	WASHER	1	
14	43561-44G00	BRACKET, SPRING	1	
15	07130-0610B	BOLT	1	

FIG.37

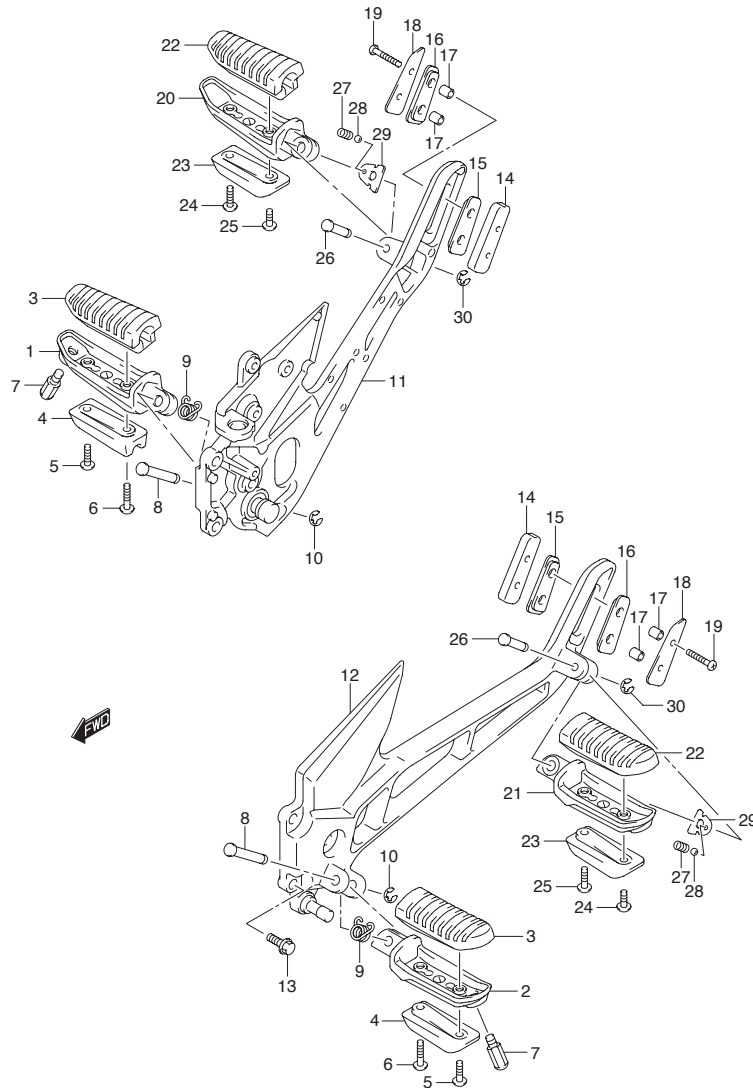


FIG.37 (1-E-12) FOOTREST

REF NO.	PART NO.	DESCRIPTION	Q'TY	REMARKS
1-1	43511-44G00	BAR, FRONT FOOTREST RH	1	MODEL K6/K7
1-2	43511-44G10	BAR, FRONT FOOTREST RH	1	MODEL K8/K9/L0
2-1	43521-44G00	BAR, FRONT FOOTREST LH	1	MODEL K6/K7
2-2	43521-44G10	BAR, FRONT FOOTREST LH	1	MODEL K8/K9/L0
3-1	43550-44G00	RUBBER	2	MODEL K6/K7
3-2	43550-44G20	RUBBER	2	MODEL K8/K9/L0
4	43536-44G00	BALANCER, FOOTREST	2	
5	02142-0525A	SCREW, OUTER	2	
6	02142-0530A	SCREW, INNER	2	
7	43576-48B02	BOLT, BANK SENSOR	2	
8	09208-08019	PIN	2	
9	09448-14046	SPRING	2	
10	08332-1106A	E RING	2	
11-1	43810-44G00	BRACKET, FOOTREST RH	1	MODEL K6/K7/K8
11-2	43810-44G10	BRACKET, FOOTREST RH	1	MODEL K9
11-3	43510-44G30	BRACKET, FOOTREST RH	1	MODEL L0
12-1	43821-44G00	BRACKET, FOOTREST LH	1	MODEL K6/K7/K8
12-2	43821-44G10	BRACKET, FOOTREST LH	1	MODEL K9
12-3	43521-44G30	BRACKET, FOOTREST LH	1	MODEL L0
13	09106-08167	BOLT	6	
14	43591-44G00	BARANCER, BRACKET	2	
15	43594-44G00	RUBBER, INNER	2	
16	43593-44G00	RUBBER, OUTER	2	
17	09180-06289	SPACER	4	
18	43595-44G00	PLATE	2	
19	09139-06057	BOLT	4	
20	43611-44G00	BAR, PILLION RH	1	
21	43621-44G00	BAR, PILLION LH	1	
22	43550-44G00	RUBBER	2	
23	43534-44G00	BALANCER	2	
24	02142-0520B	SCREW, OUTER	2	
25	02142-0525B	SCREW, INNER	2	
26-1	09208-08017	PIN	2	MODEL K6/K7/K8
26-2	09208-08020	PIN	2	MODEL K9/L0
27-1	09440-05005	SPRING	2	MODEL K6/K7/K8
27-2	09440-05003	SPRING	2	MODEL K9/L0
28	06111-07004	BALL	2	
29-1	43816-44G00	PLATE	2	MODEL K6/K7/K8
29-2	43816-01H20	PLATE	2	MODEL K9/L0
30	08332-1106A	E RING	2	

FIG.38

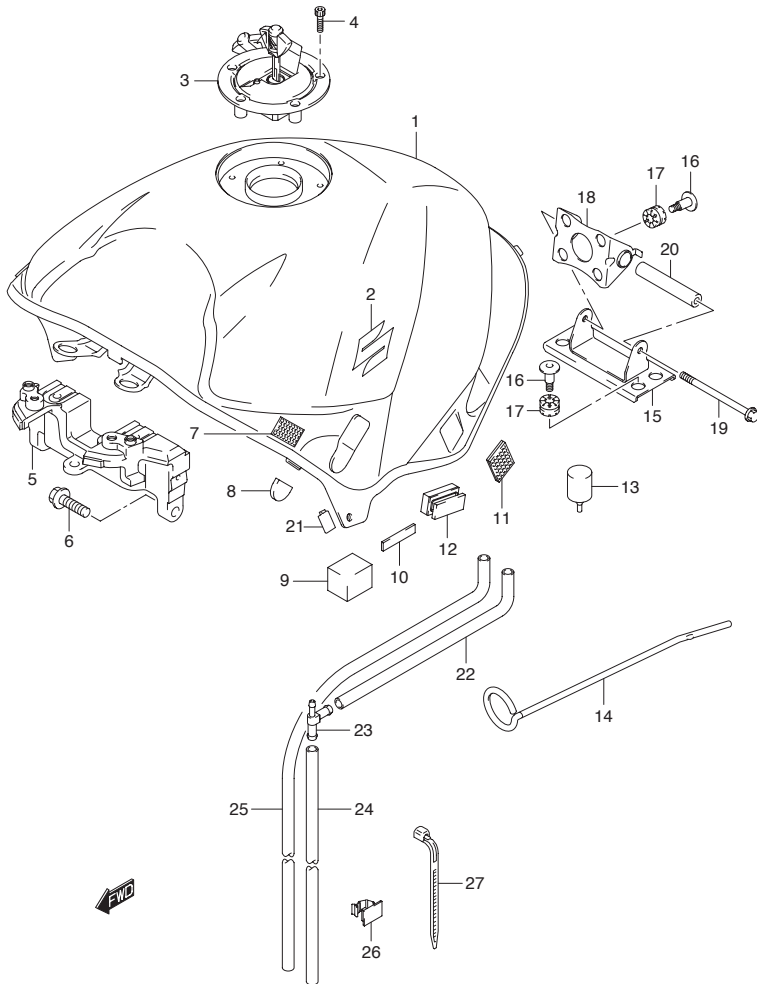


FIG.38 (1-E-13) FUEL TANK (MODEL K6/K7)

REF NO.	PART NO.	DESCRIPTION	Q'TY	REMARKS
1-1	44100-44G00-YHG	TANK ASSY, FUEL (GRAY)	1	MODEL K6
1-2	44100-44G00-YKV	TANK ASSY, FUEL (BLACK)	1	
1-3	44100-44G00-YKZ	TANK ASSY, FUEL (BLUE)	1	MODEL K6
1-4	44100-44G00-YHH	TANK ASSY, FUEL (RED)	1	MODEL K6
1-5	44100-44G00-YD8	TANK ASSY, FUEL (SILVER)	1	MODEL K7
1-6	44100-44G00-YBA	TANK ASSY, FUEL (BLUE)	1	MODEL K7
1-7	44100-44G00-YHL	TANK ASSY, FUEL (RED)	1	MODEL K7
1-8	44100-44G00-YBD	TANK ASSY, FUEL (WHITE)	1	MODEL K7
2	68111-18G20	EMBLEM	2	
3	44200-16850	CAP SET, FUEL TANK	1	
4	09106-05017	BOLT	3	
5	44521-44G00	BRACKET, FRONT	1	
6	01550-0825B	BOLT	2	
7	44572-02F01	FASTENER	2	
8	09329-18001	CUSHION, COVER	2	
9	44541-44G00	CUSHION, SIDE	2	
10	94426-08A10	MOLDING	2	
11	44572-02F01	FASTENER	2	
12	44541-35F00	CUSHION, SIDE REAR	2	
13	44542-18G00	CUSHION, REAR	2	
14	44574-16G00	STAY	1	
15	44550-44G00	BRACKET, REAR LOWER	1	
16	44543-47H00	SCREW	8	
17	09320-08071	CUSHION	8	
18	44530-41G00	BRACKET, REAR UPPER	1	
19	01550-0695B	BOLT, JOINT	1	
20	44561-18G00	SPACER	1	

REFER TO FIG.38A (1-E-15) FOR MODEL K8
 REFER TO FIG.38B (1-F-3) FOR MODEL K9
 REFER TO FIG.38C (1-F-5) FOR MODEL L0

FIG.38

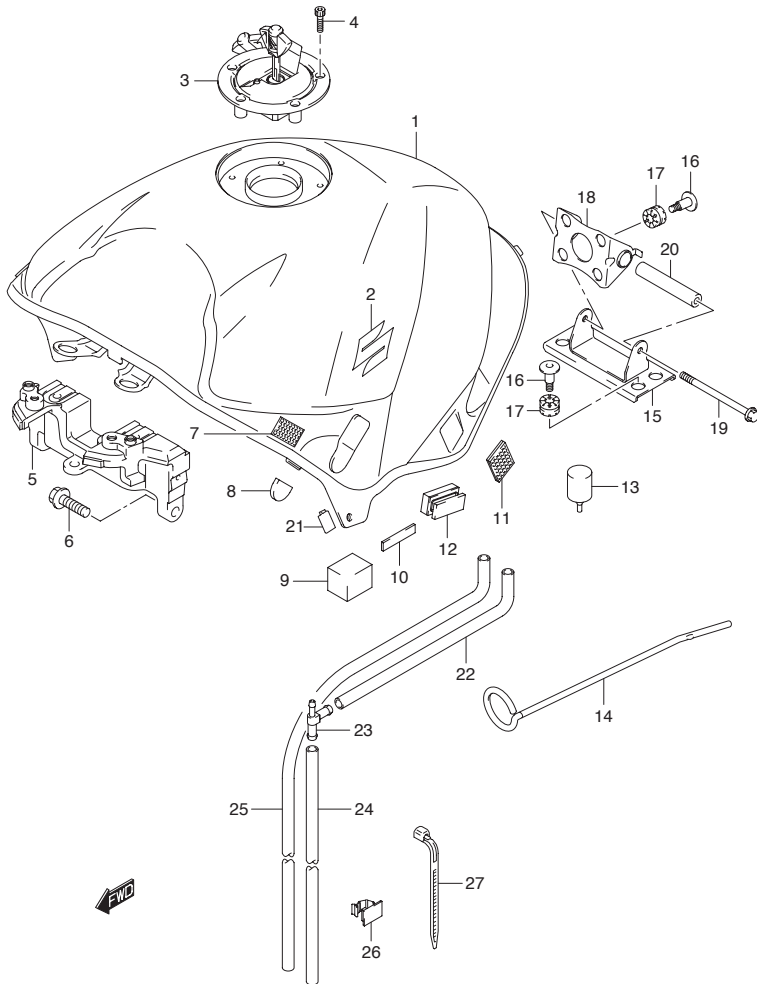


FIG.38 (1-E-14) FUEL TANK (MODEL K6/K7)

REF NO.	PART NO.	DESCRIPTION	Q'TY	REMARKS
21	51861-21D00	MULDING, LH	1	
22-1	44423-44G00	HOSE, WATER DRAIN UPPER	1	
22-2	44423-44G21	HOSE, WATER DRAIN UPPER	1	GSR600AK7
23-1	09367-08005	3 WAY	1	
23-2	09367-08004	3 WAY	1	GSR600AK7
24-1	44423-44G10	HOSE, WATER DRAIN LOWER	1	
24-2	44423-44G30	HOSE, WATER DRAIN LOWER	1	GSR600AK7
25	44424-44G00	HOSE, BREATHER	1	
26	09403-14311	CLAMP	1	
27	09407-19401	CLAMP	1	

REFER TO FIG.38A (1-E-15) FOR MODEL K8
 REFER TO FIG.38B (1-F-3) FOR MODEL K9
 REFER TO FIG.38C (1-F-5) FOR MODEL L0

FIG.38A

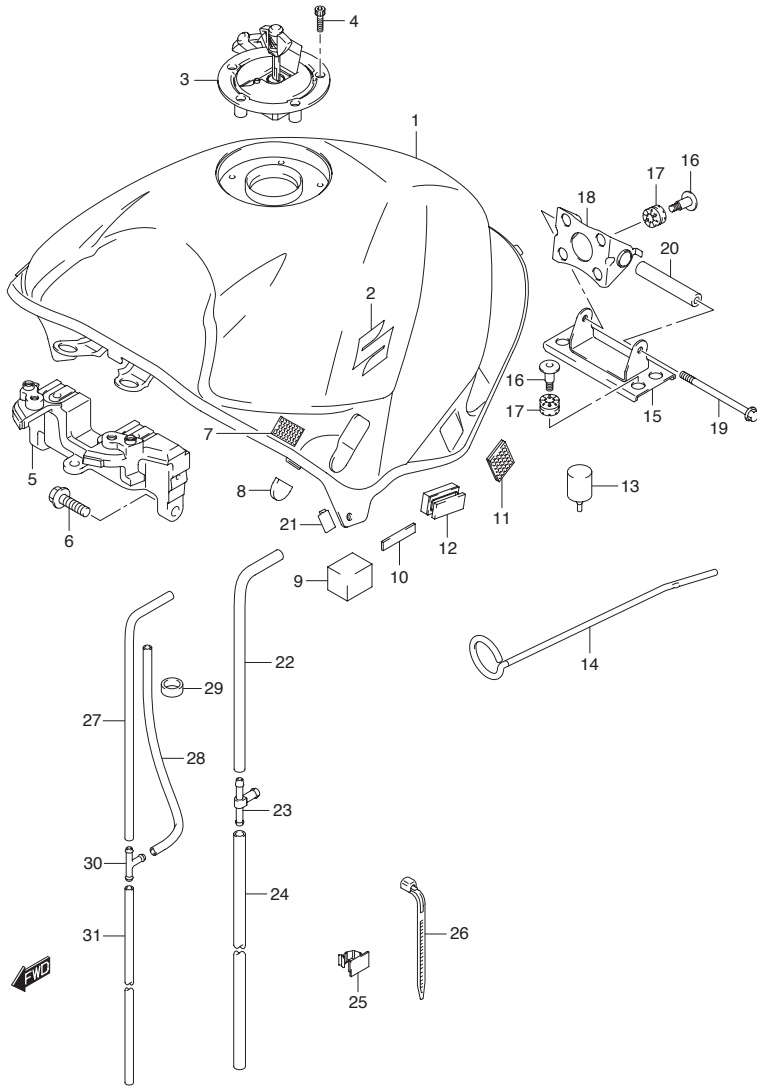


FIG.38A (1-E-15) FUEL TANK (MODEL K8)

REF NO.	PART NO.	DESCRIPTION	Q'TY	REMARKS
1-1	44100-44G00-YAY	TANK ASSY, FUEL (BLACK)	1	
1-2	44100-44G00-YBA	TANK ASSY, FUEL (BLUE)	1	
1-3	44100-44G00-YMD	TANK ASSY, FUEL (SILVER)	1	
1-4	44100-44G00-YME	TANK ASSY, FUEL (ORANGE)	1	
1-5	44100-44G00-YLF	TANK ASSY, FUEL (GRAY)	1	
2	68111-18G20	EMBLEM	2	
3	44200-16850	CAP SET, FUEL TANK	1	
4	09106-05017	BOLT	3	
5	44521-44G00	BRACKET, FRONT	1	
6	01550-0825B	BOLT	2	
7	44572-02F01	FASTENER	2	
8	09329-18001	CUSHION, COVER	2	
9	44541-44G00	CUSHION, SIDE	2	
10	68241-04X50-300	MOLDING	2	
11	44572-02F01	FASTENER	2	
12	44541-35F00	CUSHION, SIDE REAR	2	
13	44542-18G00	CUSHION, REAR	2	
14	44574-16G00	STAY	1	
15	44550-44G00	BRACKET, REAR LOWER	1	
16	44543-47H00	SCREW	8	
17	09320-08071	CUSHION	8	
18	44530-41G00	BRACKET, REAR UPPER	1	
19	01550-0695B	BOLT, JOINT	1	
20	44561-18G00	SPACER	1	
21	51861-21D00	MULDING, LH	1	

REFER TO FIG.38B (F-3) FOR MODEL K9
 REFER TO FIG.38C (F-5) FOR MODEL L0

FIG.38A

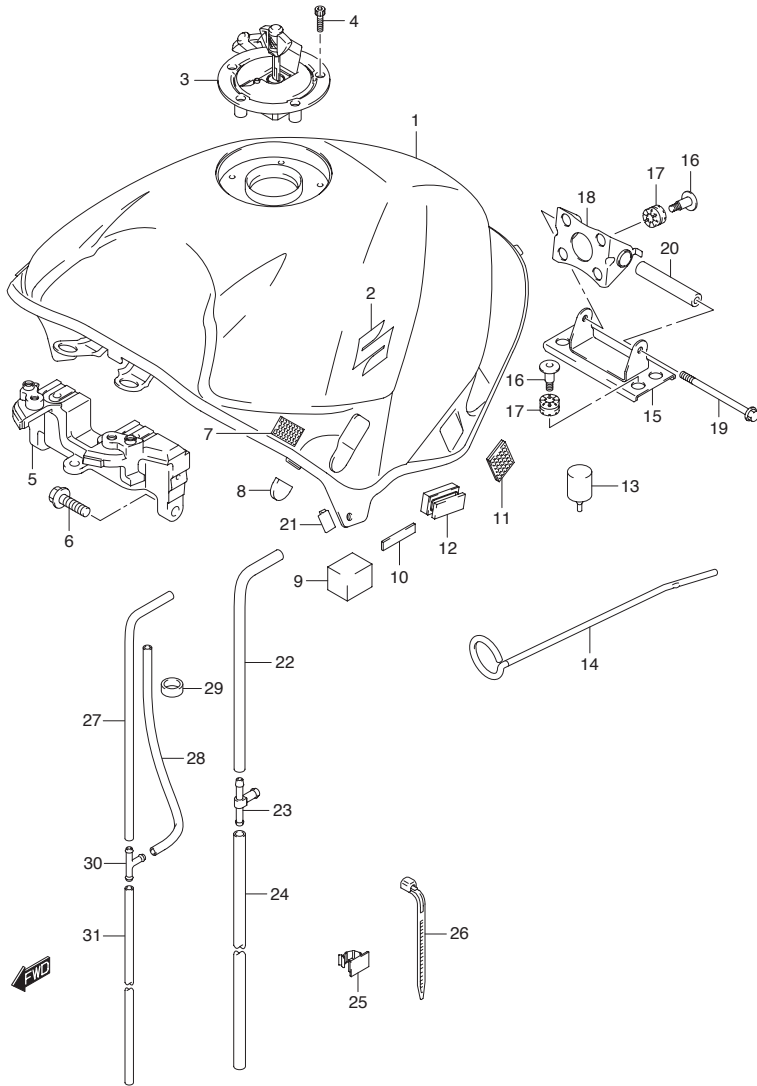


FIG.38A (1-F-2) FUEL TANK (MODEL K8)

REF NO.	PART NO.	DESCRIPTION	Q'TY	REMARKS
22	44423-44G21	HOSE, WATER DRAIN UPPER	1	
23	09367-08004	3 WAY	1	
24	44423-44G30	HOSE, WATER DRAIN LOWER	1	
25	09403-14311	CLAMP	1	
26	09407-19401	CLAMP	1	
27	44424-44G11	HOSE, BREATHER NO.1	1	
28	44425-09E00	HOSE, BREATHER NO.3	1	
29	09352-12163-600	HOSE, JOINT	1	L:600→10
30	09367-06002	3 WAY	1	
31	44424-44G20	HOSE, BREATHER NO.2	1	

REFER TO FIG.38B (F-3) FOR MODEL K9
 REFER TO FIG.38C (F-5) FOR MODEL L0

FIG.38B

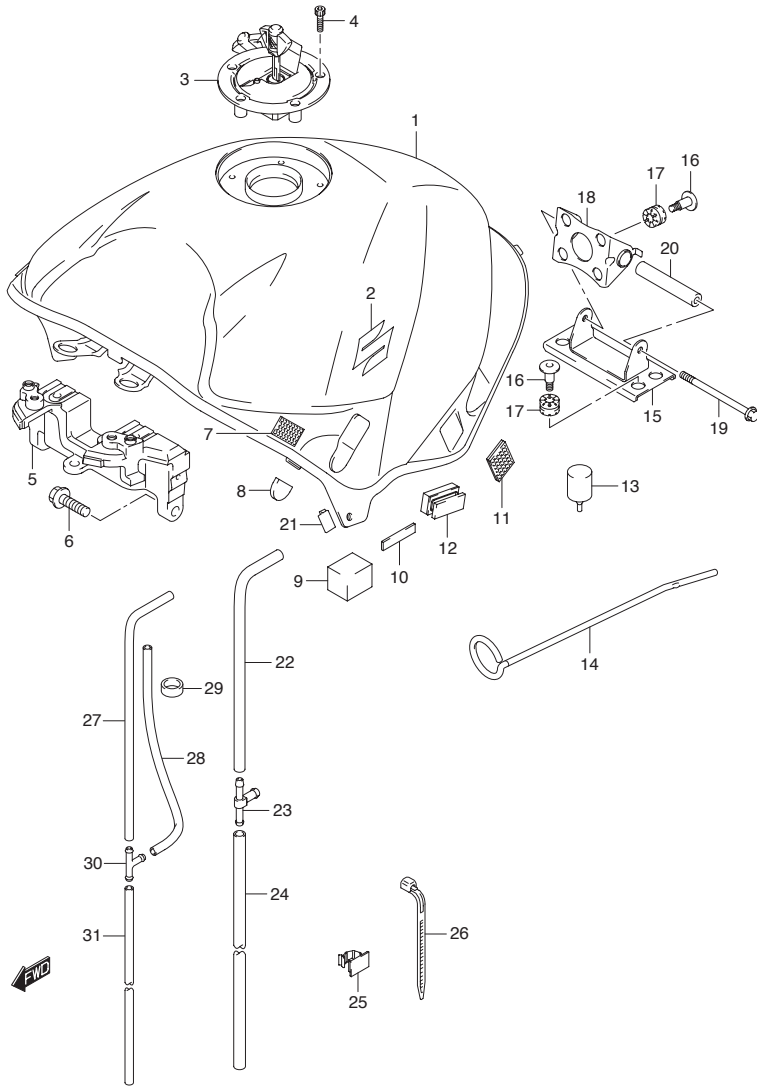


FIG.38B (1-F-3) FUEL TANK (MODEL K9)

REF NO.	PART NO.	DESCRIPTION	Q'TY	REMARKS
1-1	44100-44G00-YAY	TANK ASSY, FUEL (BLACK)	1	
1-2	44100-44G00-YHG	TANK ASSY, FUEL (GRAY)	1	
1-3	44100-44G00-YPA	TANK ASSY, FUEL (WHITE)	1	
1-4	44100-44G00-YSF	TANK ASSY, FUEL (BLUE)	1	FOR GUL
2	68111-18G20	EMBLEM	2	
3	44200-16850	CAP SET, FUEL TANK	1	
4	09106-05017	BOLT	3	
5	44521-44G00	BRACKET, FRONT	1	
6	01550-0825A	BOLT	2	
7	44572-02F01	FASTENER	2	
8	09329-18001	CUSHION, COVER	2	
9	44541-44G00	CUSHION, SIDE	2	
10	68241-04X50-300	MOLDING	2	
11	44572-02F01	FASTENER	2	
12	44541-35F00	CUSHION, SIDE REAR	2	
13	44542-18G00	CUSHION, REAR	2	
14	44574-16G00	STAY	1	
15	44550-44G00	BRACKET, REAR LOWER	1	
16	44543-47H00	SCREW	8	
17	09320-08071	CUSHION	8	
18	44530-41G00	BRACKET, REAR UPPER	1	
19	01550-0695A	BOLT, JOINT	1	
20	44561-18G00	SPACER	1	
21	51861-21D00	MULDING, LH	1	

COLOR : GUL=YSF (BLUE) , YMD (SILVER)

REFER TO FIG.38C (1-F-5) FOR MODEL L0

FIG.38B

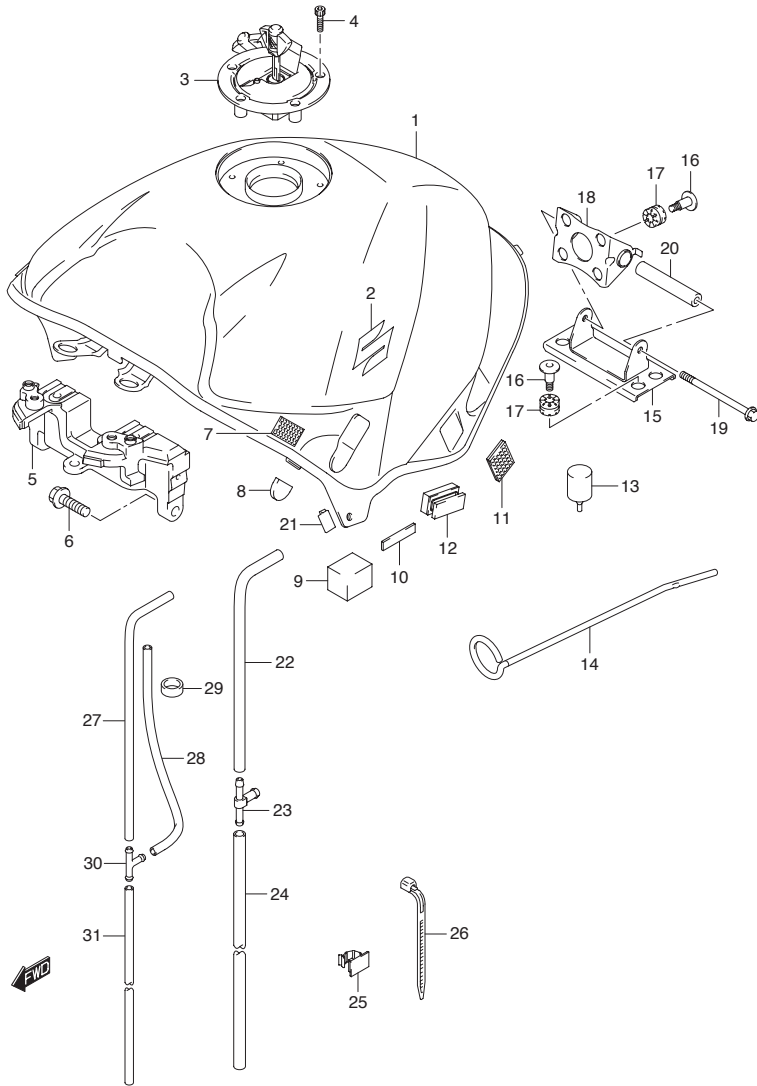


FIG.38B (1-F-4) FUEL TANK (MODEL K9)

REF NO.	PART NO.	DESCRIPTION	Q'TY	REMARKS
22	44423-44G21	HOSE, WATER DRAIN UPPER	1	
23	09367-08004	3 WAY	1	
24	44423-44G30	HOSE, WATER DRAIN LOWER	1	
25	09403-14311	CLAMP	1	
26	09407-19401	CLAMP	1	
27	44424-44G11	HOSE, BREATHER NO.1	1	
28	44425-09E00	HOSE, BREATHER NO.3	1	
29	09352-12163-600	HOSE, JOINT (L:600→10)	1	
30	09367-06002	3 WAY	1	
31	44424-44G20	HOSE, BREATHER NO.2	1	

COLOR : GUL=YSF (BLUE) , YMD (SILVER)

REFER TO FIG.38C (1-F-5) FOR MODEL L0

FIG.38C

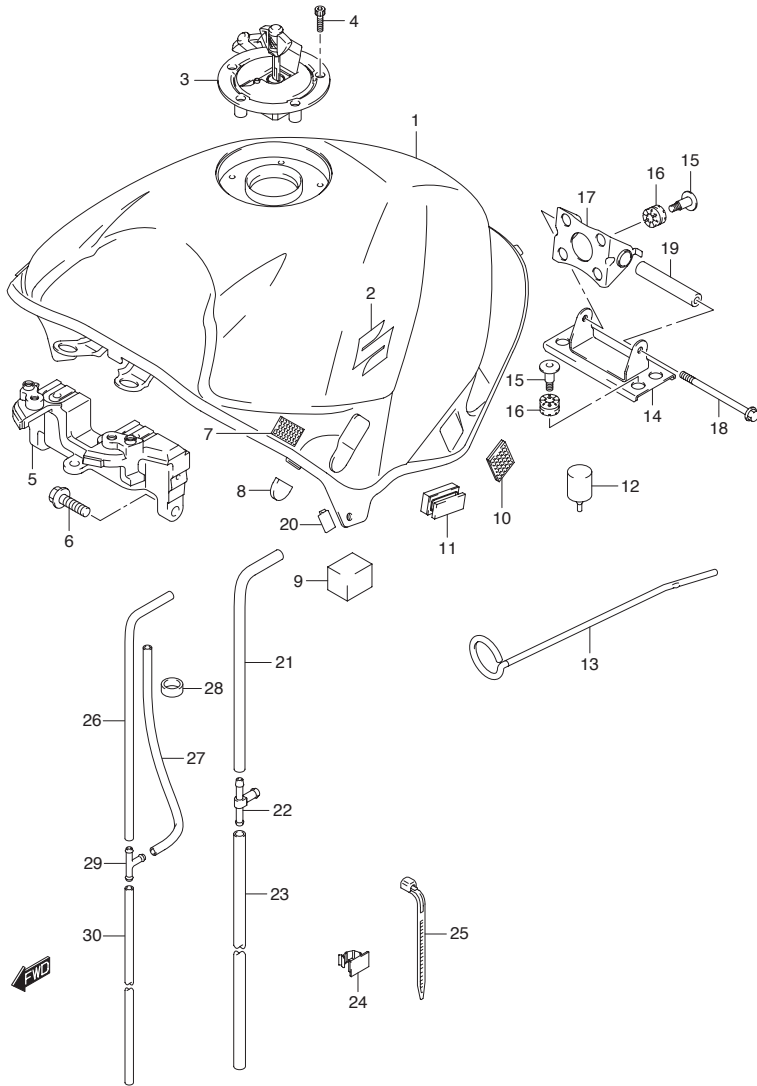


FIG.38C (1-F-5) FUEL TANK (MODEL L0)

REF NO.	PART NO.	DESCRIPTION	Q'TY	REMARKS
1-1	44100-44G00-YAY	TANK ASSY, FUEL (BLACK)	1	
1-2	44100-44G00-YLF	TANK ASSY, FUEL (GRAY)	1	
1-3	44100-44G00-YPA	TANK ASSY, FUEL (WHITE)	1	
2	68111-18G20	EMBLEM	2	
3	44200-16850	CAP SET, FUEL TANK	1	
4	09106-05017	BOLT	3	
5	44521-44G00	BRACKET, FRONT	1	
6	01550-0825A	BOLT	2	
7	44572-02F01	FASTENER	2	
8	09329-18001	CUSHION, COVER	2	
9	44541-44G00	CUSHION, SIDE	2	
10	44572-02F01	FASTENER	2	
11	44541-35F00	CUSHION, SIDE REAR	2	
12	44542-18G00	CUSHION, REAR	2	
13	44574-16G00	STAY	1	
14	44550-44G00	BRACKET, REAR LOWER	1	
15	09139-06191	SCREW	8	
16	09320-08071	CUSHION	8	
17	44530-41G00	BRACKET, REAR UPPER	1	
18	01550-0695A	BOLT, JOINT	1	
19	44561-18G00	SPACER	1	
20	51861-21D00	MULDING, LH	1	

FIG.38C

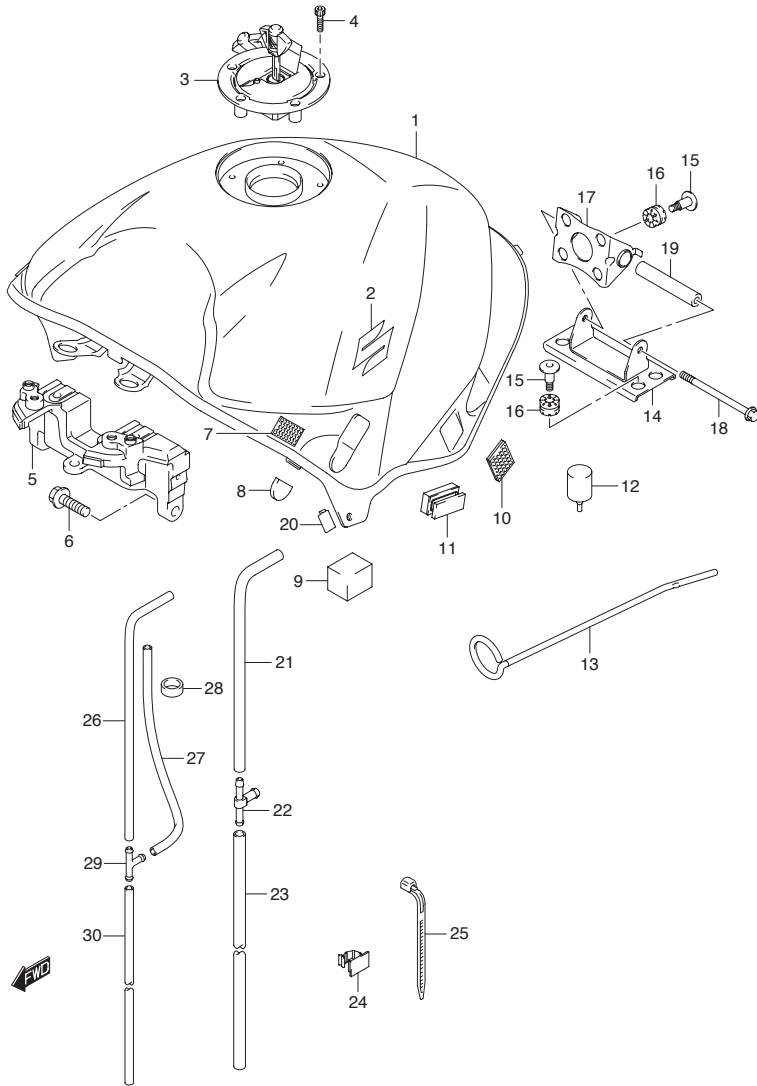


FIG.38C (1-F-6) FUEL TANK (MODEL L0)

REF NO.	PART NO.	DESCRIPTION	Q'TY	REMARKS
21	44423-44G21	HOSE, WATER DRAIN UPPER	1	
22	09367-08004	3 WAY	1	
23	44423-44G30	HOSE, WATER DRAIN LOWER	1	
24	09403-14311	CLAMP	1	
25	09407-19401	CLAMP	1	
26	44424-44G11	HOSE, BREATHER NO.1	1	
27	44425-09E00	HOSE, BREATHER NO.3	1	
28	09352-12163-600	HOSE, JOINT (L:600→10)	1	
29	09367-06002	3 WAY	1	
30	44424-44G20	HOSE, BREATHER NO.2	1	

FIG.39

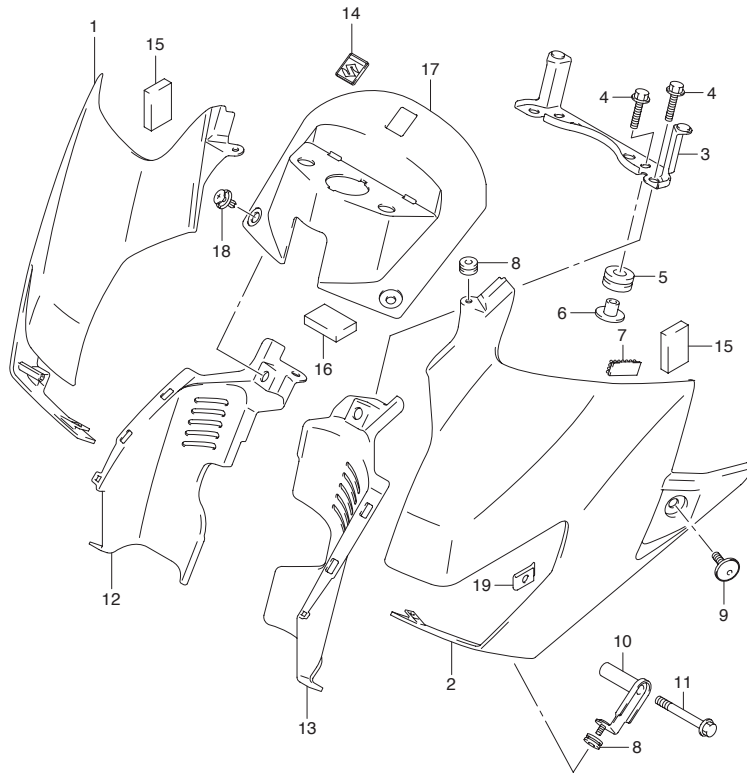


FIG.39 (1-F-7) FUEL TANK SIDE COVER (MODEL K6/K7)

REF NO.	PART NO.	DESCRIPTION	Q'TY	REMARKS
1-1	44171-44G00-YD8	COVER, TANK SIDE RH (SILVER)	1	
1-2	44171-44G00-YKV	COVER, TANK SIDE RH (BLACK)	1	MODEL K7 FOR YBD
2-1	44181-44G00-YD8	COVER, TANK SIDE LH (SILVER)	1	
2-2	44181-44G00-YKV	COVER, TANK SIDE LH (BLACK)	1	MODEL K7 FOR YBD
3	44160-44G00	BRACKET, COVER	1	
4	01550-0625B	BOLT	4	
5	44511-16G00	CUSHION, FRONT	2	
6	44512-16G00	SPACER, FRONT	2	
7	44572-44G00	FASTENER	4	
8	44564-44G00	CUSHION, COVER	4	
9	09139-05064	SCREW	2	
10	44560-44G00	BRACKET, SIDE COVER	2	
11-1	09103-08356	BOLT	2	~JS1B9111300100663
11-2	01550-0845B	BOLT	2	JS1B9111300100664~
12	44271-44G00	COVER, TANK FRONT RH	1	
13	44281-44G00	COVER, TANK FRONT LH	1	
14	68281-35F00	EMBLEM	1	
15	44277-44G00	CUSHION, SIDE COVER	2	
16	44278-44G00	CUSHION, CENTER COVER	1	
17	44191-44G00-YKV	COVER, TANK CENTER	1	
18	09409-08314	CLIP	2	
19	09148-05038	NUT	2	

REFER TO FIG.39A (1-F- 8) FOR MODEL K8
 REFER TO FIG.39B (1-F- 9) FOR MODEL K9
 REFER TO FIG.38C (1-F-10) FOR MODEL L0

FIG.39A

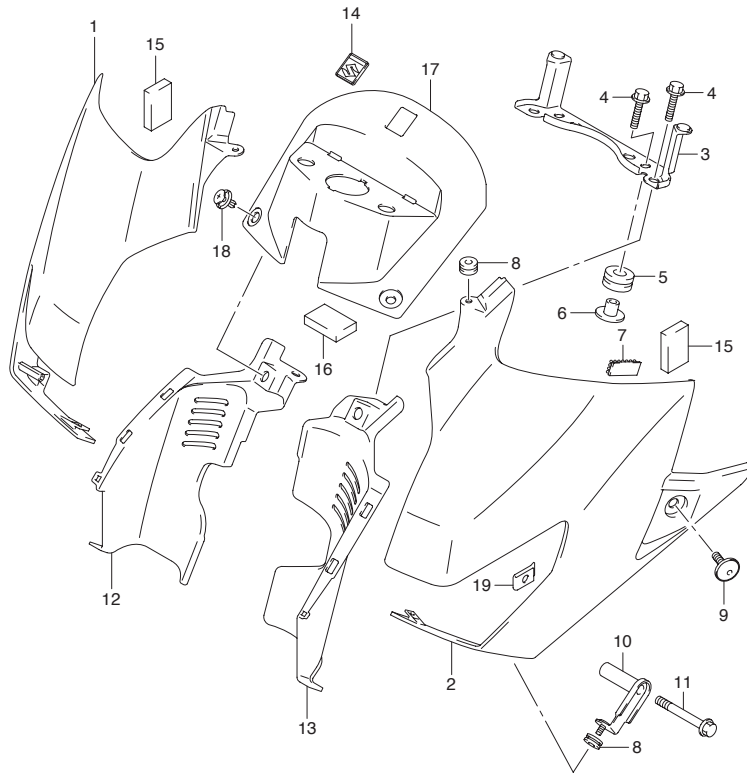


FIG.39A (1-F-8) FUEL TANK SIDE COVER (MODEL K8)

REF NO.	PART NO.	DESCRIPTION	Q'TY	REMARKS
1-1	44171-44G00-YKV	COVER, TANK SIDE RH (BLACK)	1	FOR YAY,YME, YLF
1-2	44171-44G00-YMD	COVER, TANK SIDE RH (SILVER)	1	FOR YBA,YMD
2-1	44181-44G00-YKV	COVER, TANK SIDE LH (BLACK)	1	FOR YAY,YME, YLF
2-2	44181-44G00-YMD	COVER, TANK SIDE LH (SILVER)	1	FOR YBA,YMD
3	44160-44G00	BRACKET, COVER	1	
4	01550-0625B	BOLT	4	
5	44511-16G00	CUSHION, FRONT	2	
6	44512-16G00	SPACER, FRONT	2	
7	44572-44G00	FASTENER	4	
8	44564-44G00	CUSHION, COVER	4	
9	09139-05064	SCREW	2	
10	44560-44G00	BRACKET, SIDE COVER	2	
11	01550-0845B	BOLT	2	
12	44271-44G00	COVER, TANK FRONT RH	1	
13	44281-44G00	COVER, TANK FRONT LH	1	
14	68281-35F00	EMBLEM	1	
15	44277-44G00	CUSHION, SIDE COVER	2	
16	44278-44G00	CUSHION, CENTER COVER	1	
17	44191-44G00-YKV	COVER, TANK CENTER	1	
18	09409-08314	CLIP	2	
19	09148-05038	NUT	2	

REFER TO FIG.39B (1-F-9) FOR MODEL K9
 REFER TO FIG.38C (1-F-10) FOR MODEL L0

FIG.39B

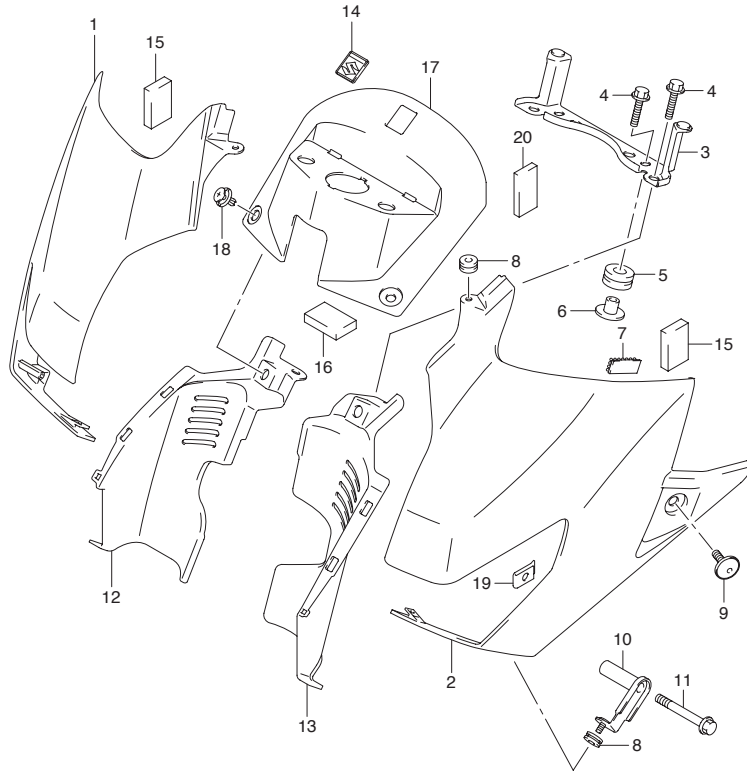


FIG.39B (1-F-9) FUEL TANK SIDE COVER (MODEL K9)

REF NO.	PART NO.	DESCRIPTION	Q'TY	REMARKS
1-1	44171-44G00-YAP	COVER, TANK SIDE RH (BLACK)	1	FOR YAY
1-2	44171-44G00-YHG	COVER, TANK SIDE RH (GRAY)	1	FOR YHG
1-3	44171-44G00-YUS	COVER, TANK SIDE RH (SILVER)	1	FOR YPA
1-4	44171-44G00-YMD	COVER, TANK SIDE RH (SILVER)	1	FOR GUL
2-1	44181-44G00-YAP	COVER, TANK SIDE LH (BLACK)	1	FOR YAY
2-2	44181-44G00-YHG	COVER, TANK SIDE LH (GRAY)	1	FOR YHG
2-3	44181-44G00-YUS	COVER, TANK SIDE LH (SILVER)	1	FOR YPA
2-4	44181-44G00-YMD	COVER, TANK SIDE LH (SILVER)	1	FOR GUL
3	44160-44G00	BRACKET, COVER	1	
4	01550-0625A	BOLT	4	
5	44511-16G00	CUSHION, FRONT	2	
6	44512-16G00	SPACER, FRONT	2	
7	44572-44G00	FASTENER	4	
8	44564-44G00	CUSHION, COVER	4	
9	09139-05064	SCREW	2	
10	44560-44G00	BRACKET, SIDE COVER	2	
11	01550-0845A	BOLT	2	
12	44271-44G00	COVER, TANK FRONT RH	1	
13	44281-44G00	COVER, TANK FRONT LH	1	
14	68281-35F00	EMBLEM	1	
15	44277-44G00	CUSHION, SIDE COVER	2	
16	44278-44G00	CUSHION, CENTER COVER	1	
17-1	44191-44G00-YAP	COVER, TANK CENTER (BLACK)	1	FOR YAY, YHG
17-2	44191-44G00-YPA	COVER, TANK CENTER (WHITE)	1	FOR YPA
17-3	44191-44G00-YSF	COVER, TANK CENTER (BLUE)	1	FOR GUL
18	09409-08314	CLIP	2	
19	09148-05038	NUT	2	
20	33652-21G10	CUSHION, COVER	4	

COLOR : GUL=YSF (BLUE) , YMD (SILVER)

REFER TO FIG.38C (1-F-10) FOR MODEL L0

4

FIG.39C

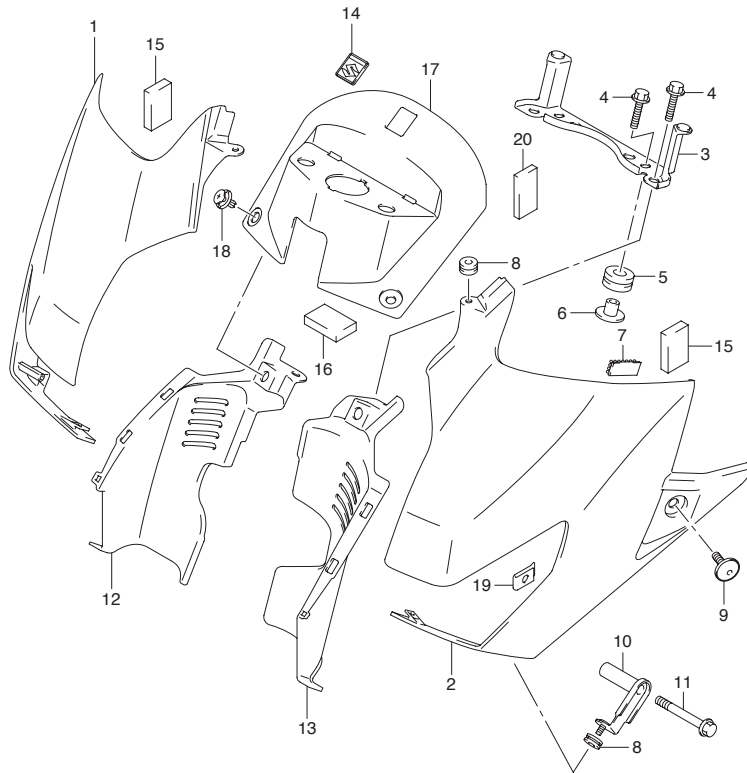


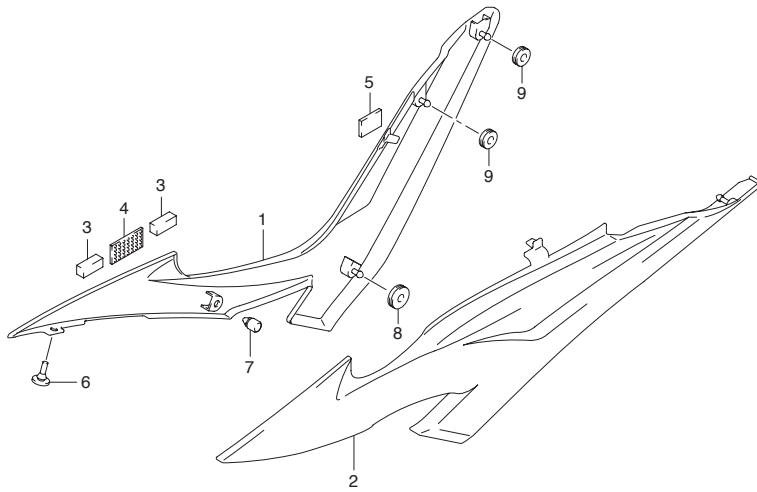
FIG.39C (1-F-10) FUEL TANK SIDE COVER (MODEL L0)

REF NO.	PART NO.	DESCRIPTION	Q'TY	REMARKS
1-1	44171-44G00-YAP	COVER, TANK SIDE RH (BLACK)	1	FOR YAY
1-2	44171-44G00-YLF	COVER, TANK SIDE RH (GRAY)	1	FOR YLF
1-3	44171-44G00-YPA	COVER, TANK SIDE RH (WHITE)	1	FOR YPA
2-1	44181-44G00-YAP	COVER, TANK SIDE LH (BLACK)	1	FOR YAY
2-2	44181-44G00-YLF	COVER, TANK SIDE LH (GRAY)	1	FOR YLF
2-3	44181-44G00-YPA	COVER, TANK SIDE LH (WHITE)	1	FOR YPA
3	44160-44G00	BRACKET, COVER	1	
4	01550-0625A	BOLT	4	
5	44511-16G00	CUSHION, FRONT	2	
6	44512-16G00	SPACER, FRONT	2	
7	44572-44G00	FASTENER	4	
8	44564-44G00	CUSHION, COVER	4	
9	09139-05064	SCREW	2	
10	44560-44G00	BRACKET, SIDE COVER	2	
11	01550-0845A	BOLT	2	
12	44271-44G00	COVER, TANK FRONT RH	1	
13	44281-44G00	COVER, TANK FRONT LH	1	
14	68281-35F00	EMBLEM	1	
15	44277-44G00	CUSHION, SIDE COVER	2	
16	44278-44G00	CUSHION, CENTER COVER	1	
17	44191-44G00-YAP	COVER, TANK CENTER (BLACK)	1	
18	09409-08314	CLIP	2	
19	09148-05038	NUT	2	
20	33652-21G10	CUSHION, COVER	4	

FIG.40

FIG.40 (1-F-11) FRAME COVER

REF NO.	PART NO.	DESCRIPTION	Q'TY	REMARKS
1	47111-44G00-291	COVER, FRAME RH (BLACK)	1	
2	47211-44G00-291	COVER, FRAME LH (BLACK)	1	
3	33652-20C00	CUSHION	4	
4	44572-13G00	FASTENER	2	
5	61544-94500	CUSHION	2	
6	09321-06026	CUSHION, FRONT	2	
7	09321-06013	CUSHION, MIDDLE	2	
8	09320-08018	CUSHION, CENTER	2	
9	09320-06504	CUSHION, REAR	4	



4

FIG.41

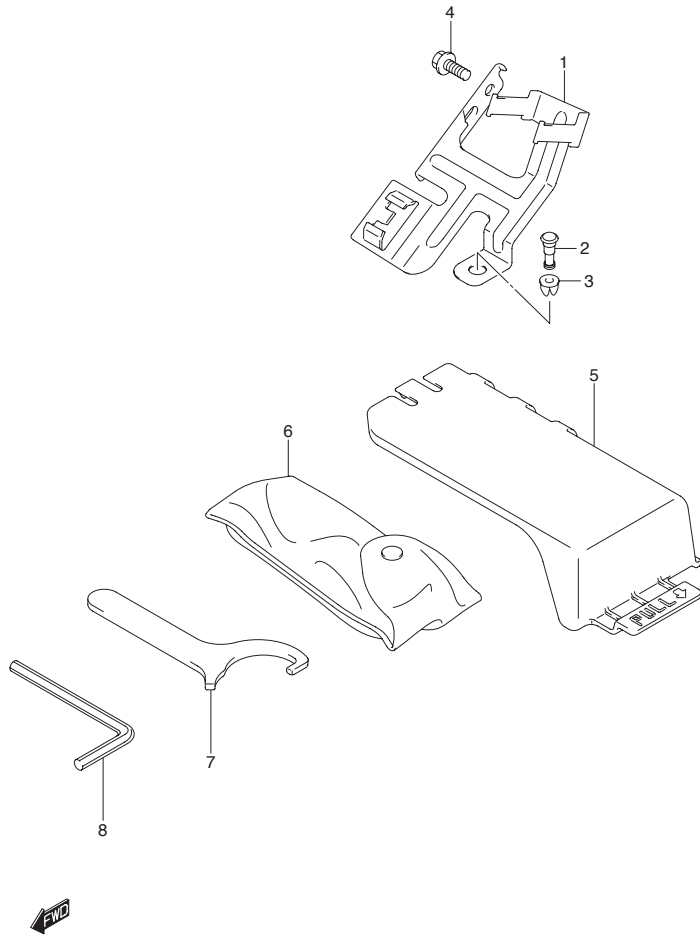


FIG.41 (1-F-12) HOLDER

REF NO.	PART NO.	DESCRIPTION	Q'TY	REMARKS
1	47411-44G01	HOLDER, ELECTRIC PARTS	1	
2	09409-08329	GROMMET	1	
3	09409-08330	PLUNGER	1	
4	01550-0612A	BOLT	1	
5	47435-44G00	HOLDER, TOOL	1	
6	09800-21054	TOOL ASSY	1	
7	09822-00003	CLAMP, WRENCH	1	
8	09816-00050	HEXAGON, SPANNER 6	1	

FIG.42

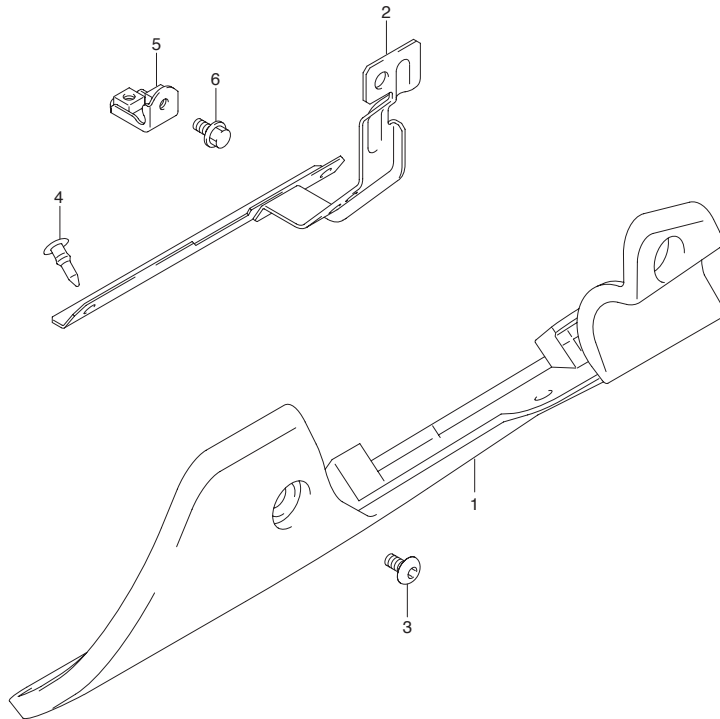


FIG.42 (1-F-13) UNDER COWLING

REF NO.	PART NO.	DESCRIPTION	Q'TY	REMARKS
1	94471-44G00-291	COWL, UNDER (BLACK)	1	
2	94510-44G01	BRACE, COWLING	1	
3	09139-06144	SCREW	2	
4	09409-06314-5PK	CLIP (BLACK)	2	
5	94533-33E01	BRACKET	1	
6	01550-0612A	BOLT	1	



FIG.43

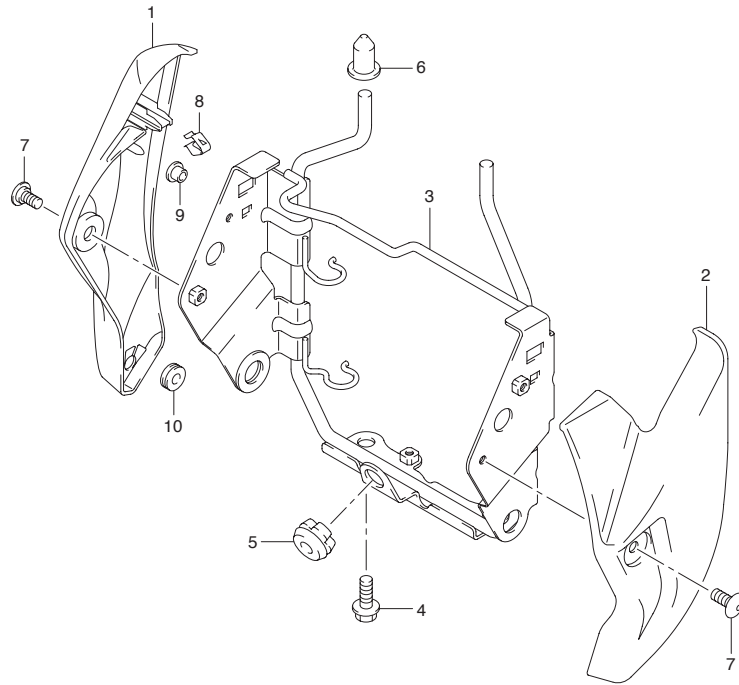


FIG.43 (1-F-14) HEADLAMP COVER (MODEL K6/K7)

REF NO.	PART NO.	DESCRIPTION	Q'TY	REMARKS
1-1	51814-44G00	COVER, HEADLAMP RH	1	MODEL K6
1-2	51814-44G10-YD8	COVER, HEADLAMP RH (SILVER)	1	MODEL K7 FOR YKV, YD8, YBA, YHL
1-3	51814-44G10-YKV	COVER, HEADLAMP RH (BLACK)	1	MODEL K7 FOR YBD
2-1	51815-44G00	COVER, HEADLAMP LH	1	MODEL K6
2-2	51815-44G10-YD8	COVER, HEADLAMP LH (SILVER)	1	MODEL K7 FOR YKV, YD8, YBA, YHL
2-3	51815-44G10-YKV	COVER, HEADLAMP LH (BLACK)	1	MODEL K7 FOR YBD
2	51815-44G00	COVER, HEADLAMP LH	1	
3	51850-44G01	BRACE, HEADLAMP HOUSING	1	
4	01550-0812A	BOLT	2	
5	09320-09010	CUSHION, BRACE	1	
6	51831-21D00	CUSHION, NO.2	2	
7	09139-06144	SCREW, COVER	2	
8	09409-08326	CLIP	2	
9	09320-05018	CUSHION, UPPER	2	
10	09320-06016	CUSHION, SIDE	2	

REFER TO FIG.43A (1-F-15) FOR MODEL K8
 REFER TO FIG.43B (1-G-2) FOR MODEL K9
 REFER TO FIG.43C (1-G-3) FOR MODEL L0

FIG.43A

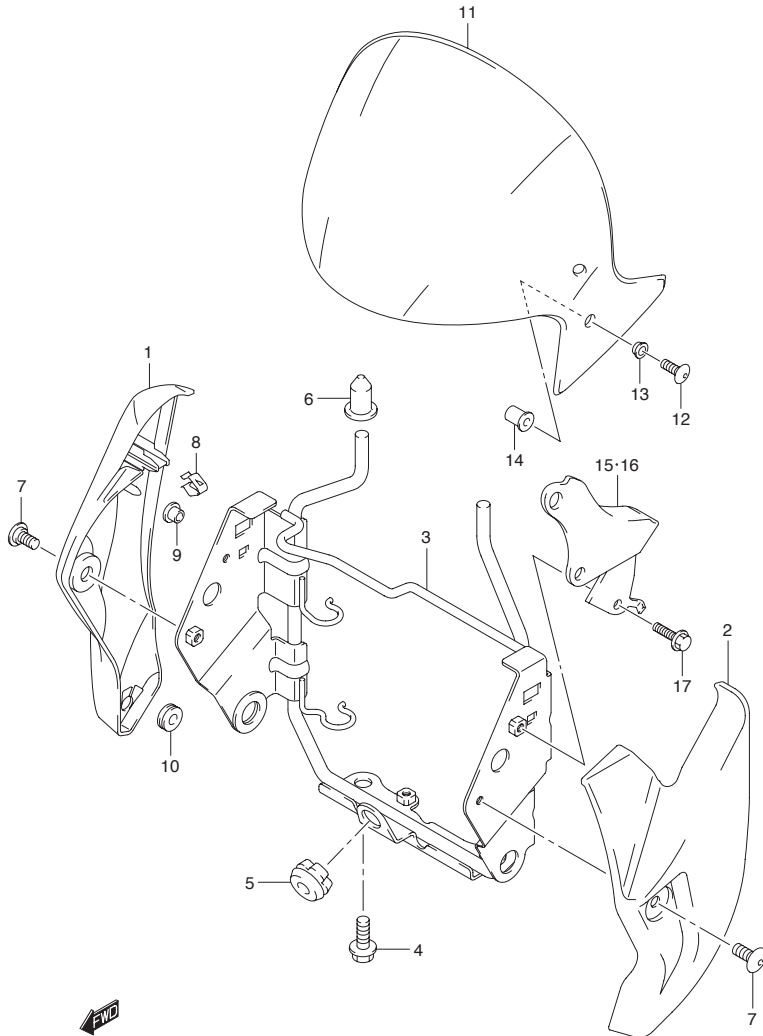


FIG.43A (1-F-15) HEADLAMP COVER (MODEL K8)

REF NO.	PART NO.	DESCRIPTION	Q'TY	REMARKS
1-1	51814-44G10-YKV	COVER, HEADLAMP RH (BLACK)	1	FOR YAY, YBA, YME
1-2	51814-44G10-YMD	COVER, HEADLAMP RH (SILVER)	1	FOR YMD
1-3	51814-44G10-YLF	COVER, HEADLAMP RH (GRAY)	1	FOR YLF
2-1	51815-44G10-YKV	COVER, HEADLAMP LH (BLACK)	1	FOR YAY, YBA, YME
2-2	51815-44G10-YMD	COVER, HEADLAMP LH (SILVER)	1	FOR YMD
2-3	51815-44G10-YLF	COVER, HEADLAMP LH (GRAY)	1	FOR YLF
3	51850-44G10	BRACE, HEADLAMP HOUSING	1	
4	01550-0812A	BOLT	2	
5	09320-09010	CUSHION, BRACE	1	
6	51831-21D00	CUSHION, NO.2	2	
7	09139-06144	SCREW, COVER	2	
8	09409-08326	CLIP	2	
9	09320-05018	CUSHION, UPPER	2	
10	09320-06016	CUSHION, SIDE	2	
11	51816-44G10	COVER, METER	1	
12	09139-05032	SCREW	4	
13	09320-05008	WASHER	4	
14	09159-05019	NUT	4	
15	51860-44G10	BRACKET, RH	1	
16	51870-44G10	BRACKET, LH	1	
17	01550-0612B	BOLT	2	

REFER TO FIG.43B (1-G-2) FOR MODEL K9
 REFER TO FIG.43C (1-G-3) FOR MODEL L0

FIG.43B

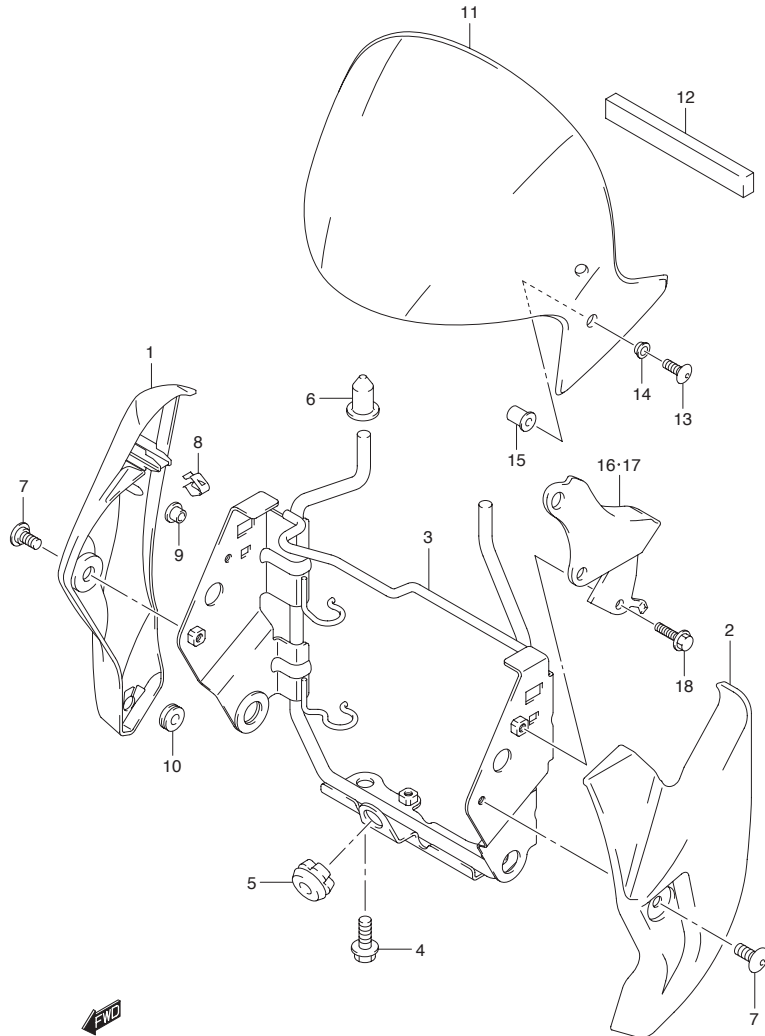


FIG.43B (1-G-2) HEADLAMP COVER (MODEL K9)

REF NO.	PART NO.	DESCRIPTION	Q'TY	REMARKS
1-1	51814-44G10-YKV	COVER, HEADLAMP RH (BLACK)	1	FOR YAY
1-2	51814-44G10-YHG	COVER, HEADLAMP RH (GRAY)	1	FOR YHG
1-3	51814-44G10-YPA	COVER, HEADLAMP RH (WHITE)	1	FOR YPA
1-4	51814-44G10-YSF	COVER, HEADLAMP RH (BLUE)	1	FOR GUL
2-1	51815-44G10-YKV	COVER, HEADLAMP LH (BLACK)	1	FOR YAY
2-2	51815-44G10-YHG	COVER, HEADLAMP LH (GRAY)	1	FOR YHG
2-3	51815-44G10-YPA	COVER, HEADLAMP LH (WHITE)	1	FOR YPA
2-4	51815-44G10-YSF	COVER, HEADLAMP LH (BLUE)	1	FOR GUL
3	51850-44G10	BRACE, HEADLAMP HOUSING	1	
4	01550-0812A	BOLT	2	
5	09320-09010	CUSHION, BRACE	1	
6	51831-21D00	CUSHION, NO.2	2	
7	09139-06144	SCREW, COVER	2	
8	09409-08326	CLIP	2	
9	09320-05018	CUSHION, UPPER	2	
10	09320-06016	CUSHION, SIDE	2	
11	51816-44G10	COVER, METER	1	
12	53145-44G00	COVER, METER COVER	1	
13	09139-05032	SCREW	4	
14	09320-05008	WASHER	4	
15	09159-05019	NUT	4	
16	51860-44G10	BRACKET, RH	1	
17	51870-44G10	BRACKET, LH	1	
18	01550-0612A	BOLT	2	

COLOR : GUL=YSF (BLUE) , YMD (SILVER)

REFER TO FIG.43C (1-G-3) FOR MODEL L0

FIG.43C

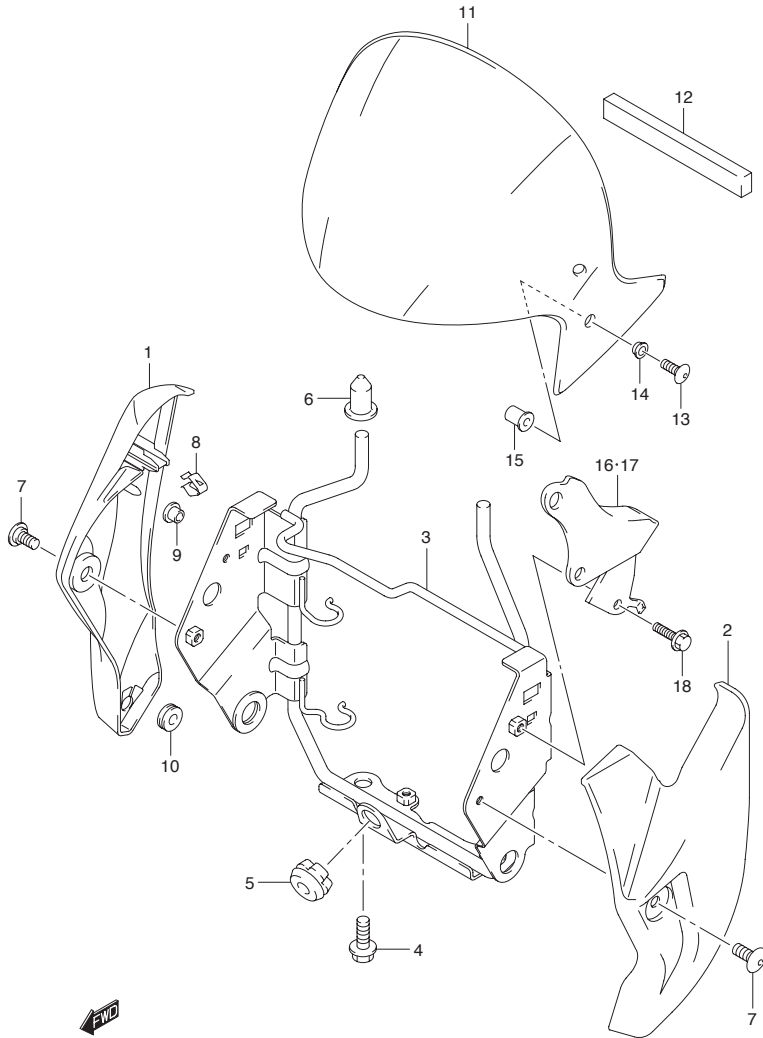


FIG.43C (1-G-3) HEADLAMP COVER (MODEL L0)

REF NO.	PART NO.	DESCRIPTION	Q'TY	REMARKS
1-1	51814-44G10-YKV	COVER, HEADLAMP RH (BLACK)	1	FOR YAY,YPA
1-2	51814-44G10-YLF	COVER, HEADLAMP RH (GRAY)	1	FOR YLF
2-1	51815-44G10-YKV	COVER, HEADLAMP LH (BLACK)	1	FOR YAY,YPA
2-2	51815-44G10-YLF	COVER, HEADLAMP LH (GRAY)	1	FOR YLF
3	51850-44G10	BRACE, HEADLAMP HOUSING	1	
4	01550-0812A	BOLT	2	
5	09320-09010	CUSHION, BRACE	1	
6	51831-21D00	CUSHION, NO.2	2	
7	09139-06144	SCREW, COVER	2	
8	09409-08326	CLIP	2	
9	09320-05018	CUSHION, UPPER	2	
10	09320-06016	CUSHION, SIDE	2	
11	51816-44G10	COVER, METER	1	
12	53145-44G00	COVER, METER COVER	1	
13	09139-05032	SCREW	4	
14	09320-05008	WASHER	4	
15	09159-05048	NUT	4	
16	51860-44G10	BRACKET, RH	1	
17	51870-44G10	BRACKET, LH	1	
18	01550-0612A	BOLT	2	

FIG.44

FIG.44 (1-G-4) FRONT FENDER (GSR600K6/K7)

REF NO.	PART NO.	DESCRIPTION	Q'TY	REMARKS
1-1	53111-44G00-YGS	FENDER, FRONT (BLACK)	1	MODEL K6 FOR YHG, YKZ, YHH
1-2	53111-44G10-YKV	FENDER, FRONT (BLACK)	1	MODEL K6 FOR YKV
1-3	53111-44G00	FENDER, FRONT	1	MODEL K7 FOR YBA, YHL
1-4	53111-44G10-YKV	FENDER, FRONT (BLACK)	1	MODEL K7 FOR YKV, YD8
1-5	53111-44G10-YBD	FENDER, FRONT (WHITE)	1	MODEL K7 FOR YBD
2	09139-06146	SCREW	2	
3	09111-06092	SCREW	2	
4	09320-09016	CUSHION	4	

REFER TO FIG.44A (1-G-5) FOR GSR600AK7
 REFER TO FIG.44B (1-G-6) FOR GSR600AK8
 REFER TO FIG.44C (1-G-7) FOR GSR600AK9/ALO

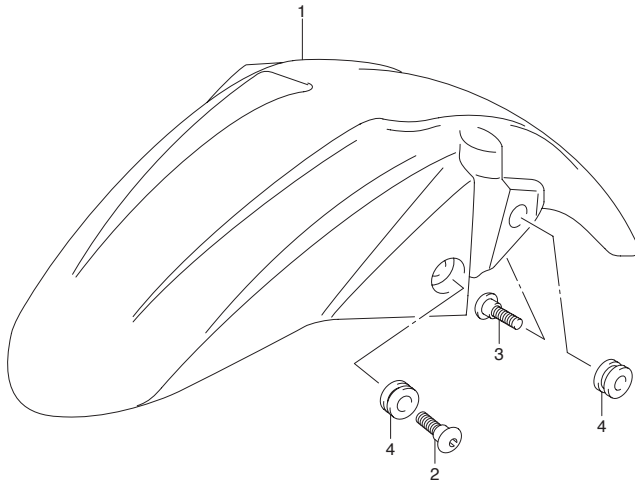


FIG.44A

FIG.44A (1-G-5) FRONT FENDER (GSR600AK7)

REF NO.	PART NO.	DESCRIPTION	Q'TY	REMARKS
1-1	53111-44G10-YKV	FENDER, FRONT (BLACK)	1	FOR YKV,YD8
1-2	53111-44G10-YBD	FENDER, FRONT (WHITE)	1	FOR YBD
1-3	53111-44G00	FENDER, FRONT	1	FOR YBA,YHL
2-1	68151-44G10-DUJ	EMBLEM	2	FOR YKV,YD8
2-2	68151-44G00-1ZY	EMBLEM (GRAY)	2	FOR YBA,YHL
2-3	68151-44G00-YAD	EMBLEM (BLACK)	2	FOR YBD
3	09139-06146	SCREW, FRONT	2	
4	09111-06092	SCREW, REAR	2	
5	09320-09016	CUSHION	4	

REFER TO FIG.44B (1-G-6) FOR GSR600AK8
 REFER TO FIG.44C (1-G-7) FOR GSR600AK9/ALO

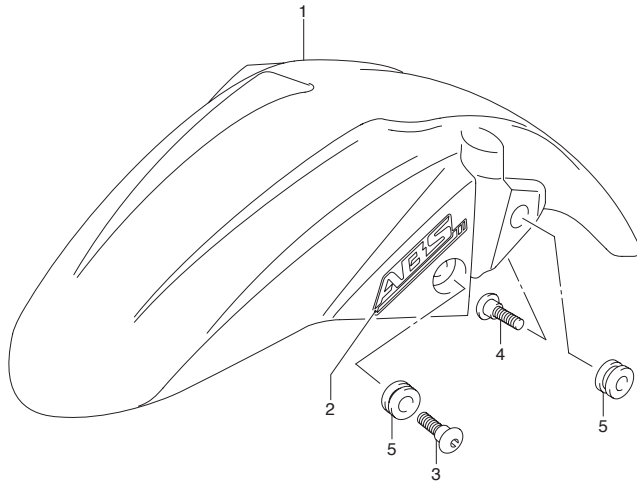


FIG.44B

FIG.44B (1-G-6) FRONT FENDER (GSR600AK8)

REF NO.	PART NO.	DESCRIPTION	Q'TY	REMARKS
1-1	53111-44G00	FENDER, FRONT	1	FOR YAY
1-2	53111-44G10-YBA	FENDER, FRONT (BLUE)	1	FOR YBA
1-3	53111-44G10-YKV	FENDER, FRONT (BLACK)	1	FOR YMD
1-4	53111-44G10-YME	FENDER, FRONT (ORANGE)	1	FOR YME
1-5	53111-44G10-YLF	FENDER, FRONT (GRAY)	1	FOR YLF
2-1	68151-44G00-1ZY	EMBLEM (GRAY)	2	FOR YAY, YBA
2-2	68151-44G00-YAD	EMBLEM (BLACK)	2	FOR YME, YLF
2-3	68151-44G10-DUJ	EMBLEM	2	FOR YMD
3	09139-06146	SCREW, FRONT	2	
4	09111-06092	SCREW, REAR	2	
5	09320-09016	CUSHION	4	

REFER TO FIG.44C (1-G-7) FOR GSR600AK9/ALO

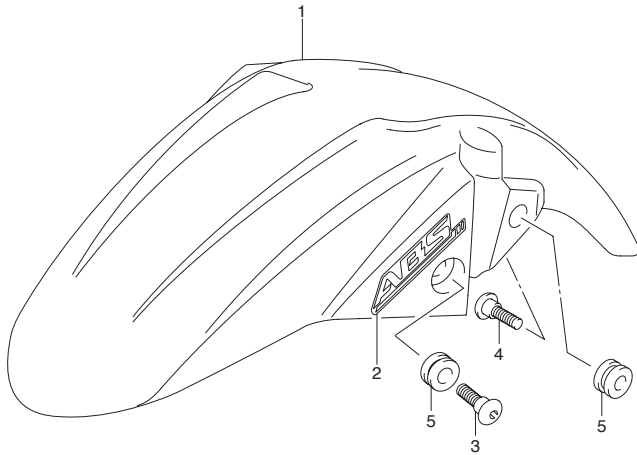
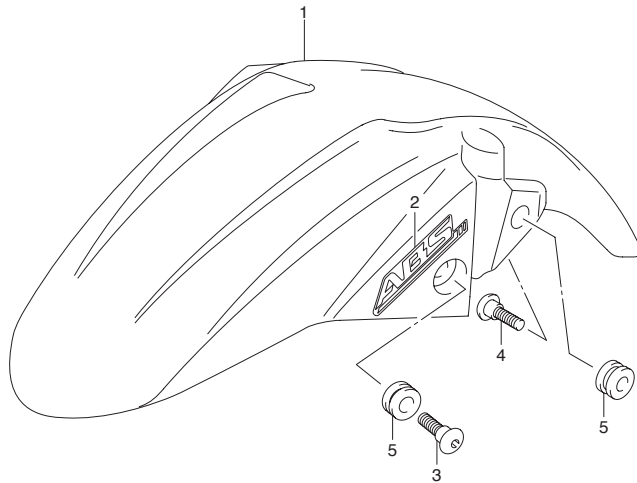


FIG.44C

FIG.44C (1-G-7) FRONT FENDER (GSR600AK9/AL0)

REF NO.	PART NO.	DESCRIPTION	Q'TY	REMARKS
1-1	53111-44G00	FENDER, FRONT	1	FOR YAY
1-2	53111-44G10-YHG	FENDER, FRONT (GRAY)	1	FOR YHG
1-3	53111-44G10-YPA	FENDER, FRONT (WHITE)	1	FOR YPA
1-4	53111-44G10-YMD	FENDER, FRONT (SILVER)	1	FOR GUL
1-5	53111-44G10-YLF	FENDER, FRONT (GRAY)	1	FOR YLF
2-1	68151-44G00-1ZY	EMBLEM (GRAY)	2	WITH ABS FOR YAY, YLF
2-2	68151-44G00-YAD	EMBLEM (BLACK)	2	WITH ABS FOR YHG, YPA, GUL
3	09139-06146	SCREW, FRONT	2	
4	09111-06092	SCREW, REAR	2	
5	09320-09016	CUSHION	4	

COLOR : GUL=YSF (BLUE) , YMD (SILVER)



4

FIG.45

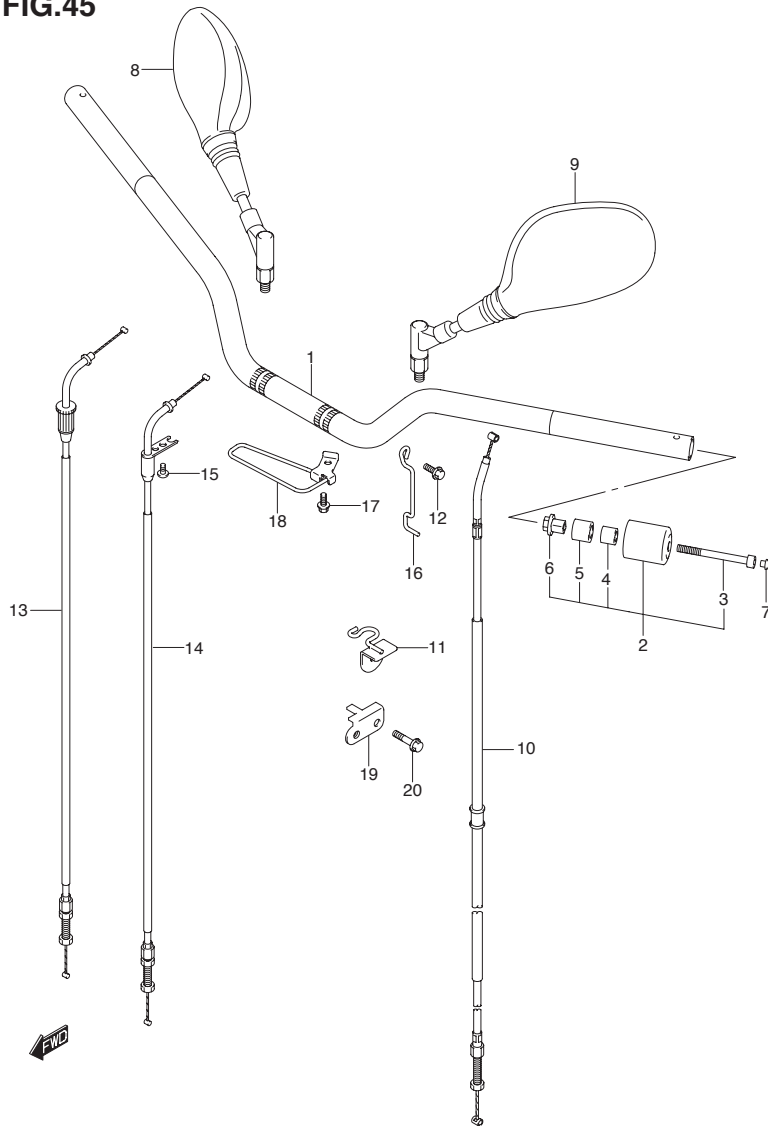


FIG.45 (1-G-8) HANDLEBAR

REF NO.	PART NO.	DESCRIPTION	Q'TY	REMARKS
1	56111-44G00	HANDLEBAR	1	
2	56200-44813	BALANCER SET, HANDLEBAR	2	
3	07130-0675B	·BOLT	2	
4	09180-06161	·SPACER	2	
5	56272-10G00	·EXPANDER	2	
6	56273-10G10	·NUT	2	
7	09250-05009	CAP	2	
8-1	56500-38G11	MIRROR ASSY, REAR VIEW RH	1	MODEL K6
8-2	56500-38G30	MIRROR ASSY, REAR VIEW RH	1	MODEL K7
8-3	56500-44G01	MIRROR ASSY, REAR VIEW RH	1	MODEL K8/K9/L0
9-1	56600-38G11	MIRROR ASSY, REAR VIEW LH	1	MODEL K6
9-2	56600-38G30	MIRROR ASSY, REAR VIEW LH	1	MODEL K7
9-3	56600-44G01	MIRROR ASSY, REAR VIEW LH	1	MODEL K8/K9/L0
10	58200-44G00	CABLE ASSY, CLUTCH	1	
11	58620-44G11	GUIDE, CLUTCH CABLE	1	
12	01550-0612B	BOLT	1	
13	58300-44G00	CABLE ASSY, THROTTLE NO.1	1	
14	58300-44G10	CABLE ASSY, THROTTLE NO.2	1	
15	09125-05042	SCREW	1	
16	58622-44GA0	GUIDE, THROTTLE CABLE	1	
17	01550-0612B	BOLT	1	
18	58620-44G00	GUIDE, CABLE	1	
19	58623-44G00	BRACKET, CABLE GUIDE	1	
20	44522-44G00	BOLT, LH	1	

FIG.46

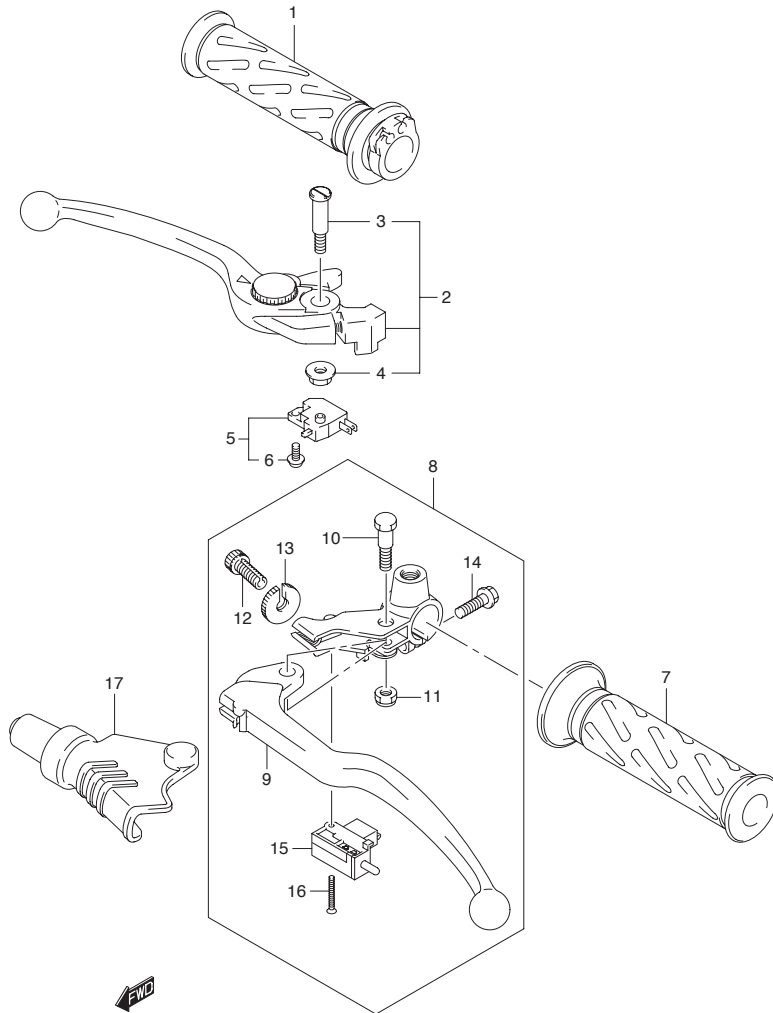


FIG.46 (1-G-9) HANDLE LEVER

REF NO.	PART NO.	DESCRIPTION	Q'TY	REMARKS
1	57110-29G01-291	GRIP, THROTTLE (BLACK)	1	
2-1	57300-44G00	LEVER ASSY, BRAKE	1	GSR600K6/K7
2-2	57300-10G20	LEVER ASSY, BRAKE	1	GSR600AK7/AK8/AK9
2-3	57300-10G30	LEVER ASSY, BRAKE	1	GSR600AL0
3-1	57431-14G00	·BOLT, PIVOT	1	MODEL K6/K7/K9
3-2	57431-17H00	·BOLT, PIVOT	1	MODEL L0
4	08319-2106A	·NUT	1	
5	57460-17C11	SWITCH ASSY, STOP	1	
6	57465-17C00	·SCREW	1	
7	57211-22D01-291	GRIP, LH (BLACK)	1	
8	57500-25D00	LEVER ASSY, CLUTCH	1	
9	57621-40F00	·LEVER ASSY, CLUTCH	1	
10	57431-45C01	·BOLT, PIVOT	1	
11	08319-2106A	·NUT	1	
12	57441-45C00	·ADJUSTER WIRE	1	
13	57442-45C00	·NUT, LOCK	1	
14	01547-0620B	·BOLT	1	
15	57560-05A00	·SWITCH, CLUTCH	1	
16	02122-0320A	·SCREW	1	
17	57661-33E00	COVER, CLUTCH LEVER	1	

4

FIG.47

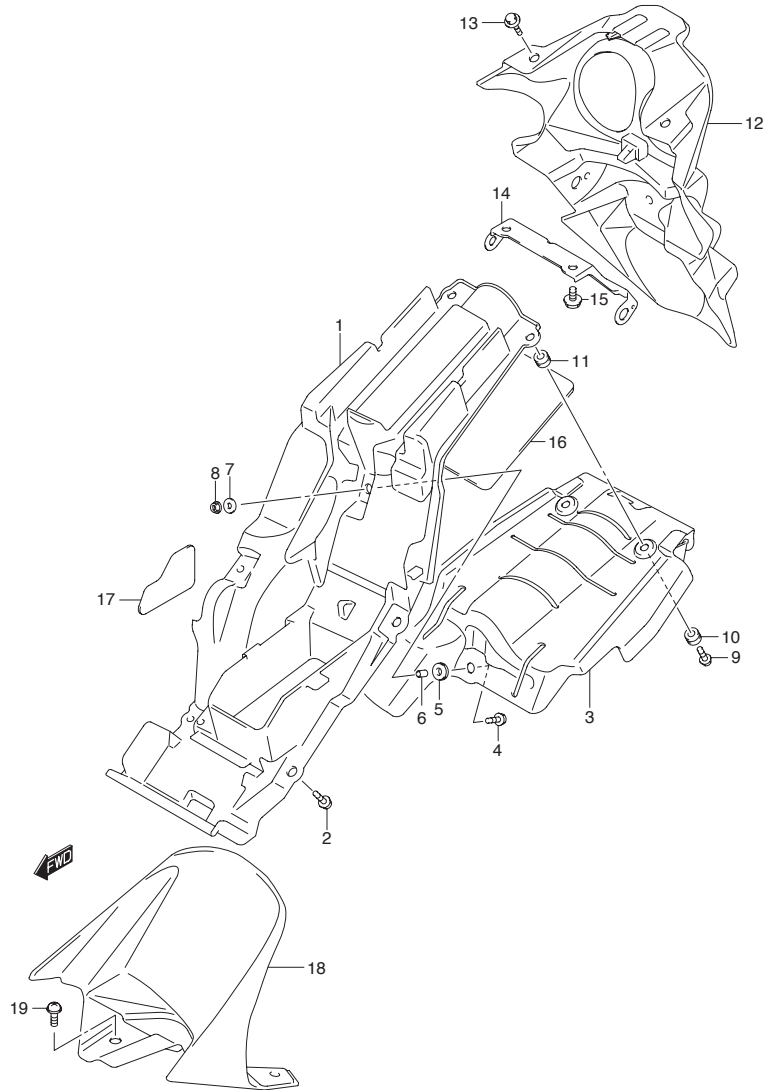


FIG.47 (1-G-10) REAR FENDER

REF NO.	PART NO.	DESCRIPTION	Q'TY	REMARKS
1	63111-44G00	FENDER, REAR FRONT	1	
2	63161-43E00	BOLT	4	
3	63261-44G00	HEATSHIELD, REAR FENDER	1	
4	09116-06042	BOLT, FRONT	1	
5	09320-08030	CUSHION	1	
6	09180-06318	SPACER	1	
7	09160-06156	WASHER	1	
8	09159-06078	NUT	1	
9	09116-06042	BOLT, REAR	2	
10	09180-06331	SPACER	2	
11	09320-09016	CUSHION	2	
12	63112-44G00	FENDER, REAR REAR	1	
13	63161-43E00	BOLT, JOINT	2	
14	63121-44G01	BRACKET, REAR	1	
15	09116-06213	BOLT	2	
16	63131-44G00	SHIELD, FENDER NO.1	1	
17	63132-44G00	SHIELD, FENDER NO.2	1	
18	63113-44G00	FENDER, REAR LOWER	1	
19	09139-05064	SCREW	2	

FIG.48

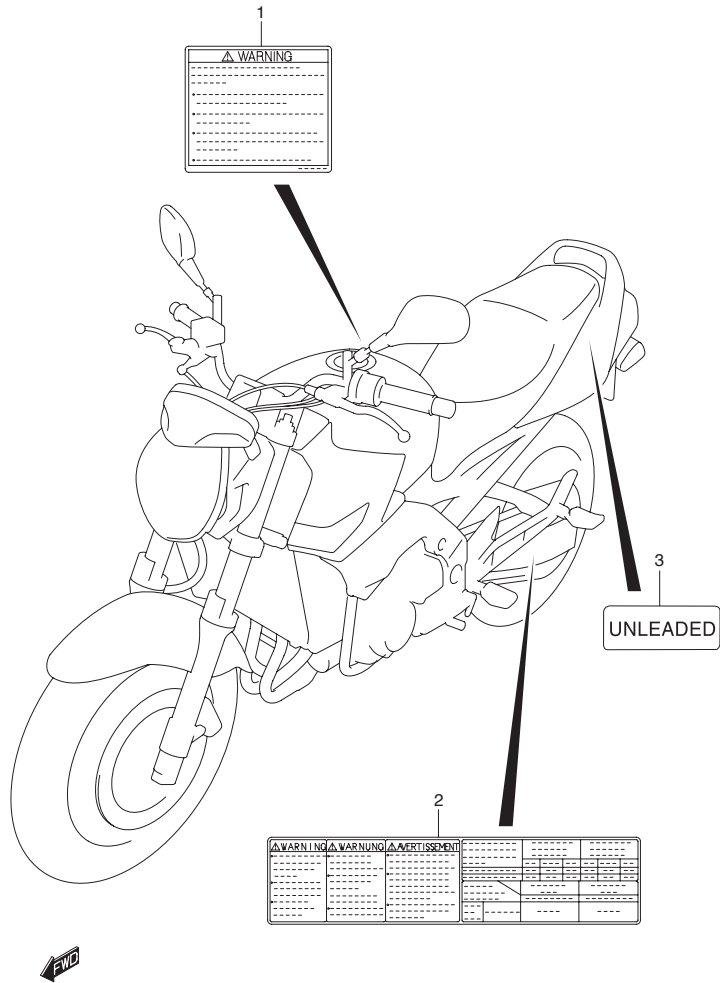


FIG.48 (1-G-11) LABEL

REF NO.	PART NO.	DESCRIPTION	Q'TY	REMARKS
1	68319-29F00	LABEL, WARNING (ENGLISH)	1	
2	68332-44G00	LABEL, TIRE INFORMATION	1	
3	86932-73060	LABEL, FUEL	1	
4-1	99011-44G50-01A	MANUAL, OWNER'S	1	MODEL K6 DRAWING NOT SHOWN
4-2	99011-44G51-01A	MANUAL, OWNER'S	1	GSR600K7 DRAWING NOT SHOWN
4-3	99011-44G60-01A	MANUAL, OWNER'S	1	GSR600AK7 DRAWING NOT SHOWN
4-4	99011-44G61-01A	MANUAL, OWNER'S	1	GSR600AK8 DRAWING NOT SHOWN
4-5	99011-44G62-01A	MANUAL, OWNER'S	1	GSR600AK9 DRAWING NOT SHOWN
4-6	99011-44G63-01A	MANUAL, OWNER'S	1	GSR600AL0 DRAWING NOT SHOWN

4

FIG.49

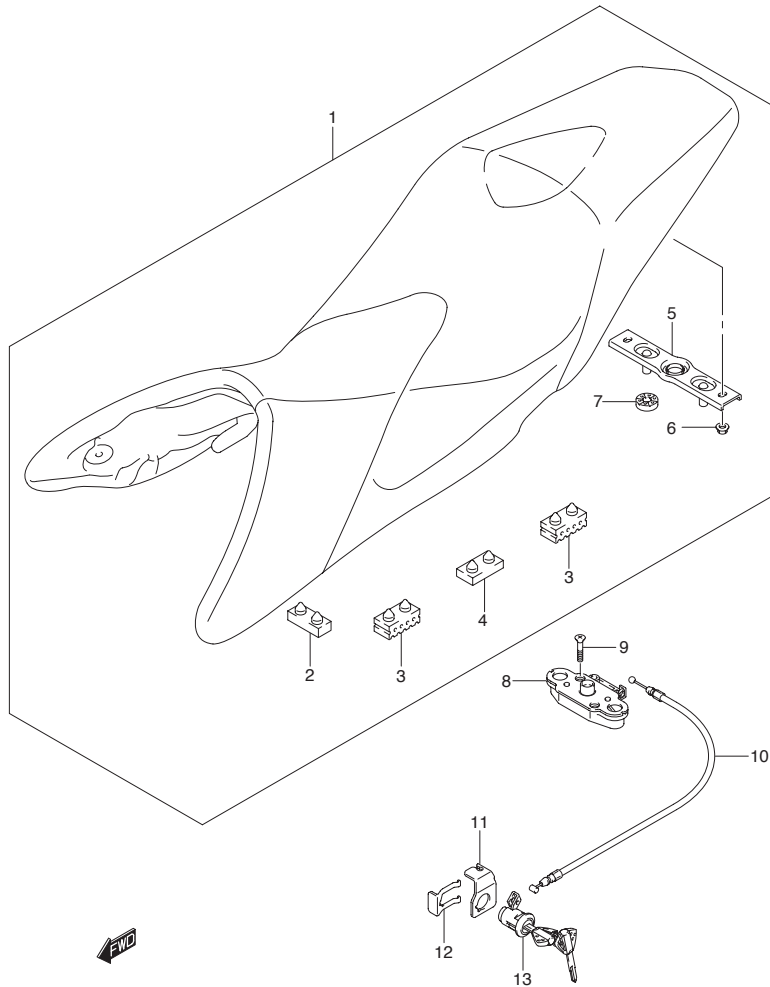


FIG.49 (1-G-12) SEAT

REF NO.	PART NO.	DESCRIPTION	Q'TY	REMARKS
1-1	45100-44G01-CWZ	SEAT ASSY (SILVER/BLACK)	1	MODEL K6 MODEL K7 FOR YKV, YD8, YBA, YHL MODEL K8 FOR YMD MODEL K9 FOR GUL
1-2	45100-44G01-ECU	SEAT ASSY (BLACK/RED)	1	MODEL K7 FOR YBD MODEL K8 FOR YLF
1-3	45100-44G01-FNC	SEAT ASSY (BLACK/BLACK)	1	MODEL K8 FOR YAY, YBA, YME MODEL K9 FOR YAY, YHG, YPA MODEL L0 FOR YAY, YLF, YPA
2	45149-44G00	·CUSHION, SEAT FRONT	1	
3	45147-12FA0	·CUSHION, REAR	4	
4	09321-08010	·CUSHION	2	
5	45215-26F00	·STRIKER, SEAT LOCK	1	
6	08316-1006B	·NUT	2	
7	45213-13601	·CUSHION, SEAT LOCK, 10X22X6	2	
8	45220-47H00	BRACKET, SEAT SUPPORT	1	
9	09126-06019	SCREW, SEAT SUPPORT BRACKET	2	
10	45280-17E00	CABLE, SEAT LOCK	1	
11	45288-14F00	GUIDE, SEAT LOCK CABLE	1	
12	45289-11F00	PLATE, SEAT LOCK ASSY	1	
13	95700-14810	LOCK SET, SEAT	1	

FIG.50

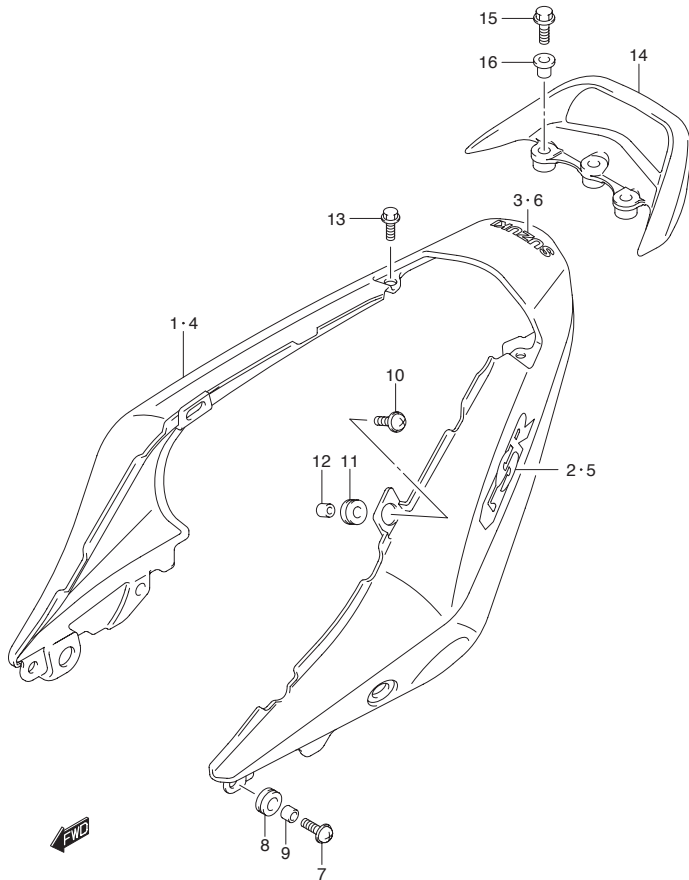


FIG.50 (1-G-13) SEAT TAIL COVER (MODEL K6)

REF NO.	PART NO.	DESCRIPTION	Q'TY	REMARKS
1-1	45501-44G00-YHG	COVER ASSY, SEAT TAIL (GRAY)	1	
1-2	45501-44G00-YKZ	COVER ASSY, SEAT TAIL (BLUE)	1	
1-3	45501-44G00-YHH	COVER ASSY, SEAT TAIL (RED)	1	
2-1	68161-44G00-DHG	·EMBLEM, SEAT TAIL COVER	2	FOR YHG
2-2	68161-44G00-DHJ	·EMBLEM, SEAT TAIL COVER	2	FOR YKZ
2-3	68161-44G00-DHK	·EMBLEM, SEAT TAIL COVER	2	FOR YHH
3	68641-19F00-YD8	·EMBLEM, "SUZUKI"	1	
4	45501-44G10-YKV	COVER ASSY, SEAT TAIL (BLACK)	1	
5	68161-44G00-DHH	·EMBLEM, SEAT TAIL COVER	2	FOR YKV
6	68161-44GA0-CTY	·EMBLEM, "SUZUKI"	1	FOR YKV
7	09136-06081	SCREW, SEAT TAIL COVER FR	2	
8	09320-12068	CUSHION, SEAT TAIL COVER FR	2	
9	09180-06300	SPACER, SEAT TAIL COVER FR	2	
10	09136-06081	SCREW, SEAT TAIL COVER CTR	2	
11	09320-12068	CUSHION, SEAT TAIL COVER CTR	2	
12	09180-06300	SPACER, SEAT TAIL COVER CTR	2	
13	09111-06073	BOLT, SEAT TAIL COVER RR	2	
14	46211-44G00-YD8	HANDLE, PILLION RIDER	1	
15	01551-0835A	BOLT	3	
16	46290-44G01	WASHER	3	

REFER TO FIG.50A (1-G-14) FOR MODEL K7
 REFER TO FIG.50B (1-G-15) FOR MODEL K8
 REFER TO FIG.50C (1-H-2) FOR MODEL K9
 REFER TO FIG.50D (1-H-3) FOR MODEL L0

FIG.50A

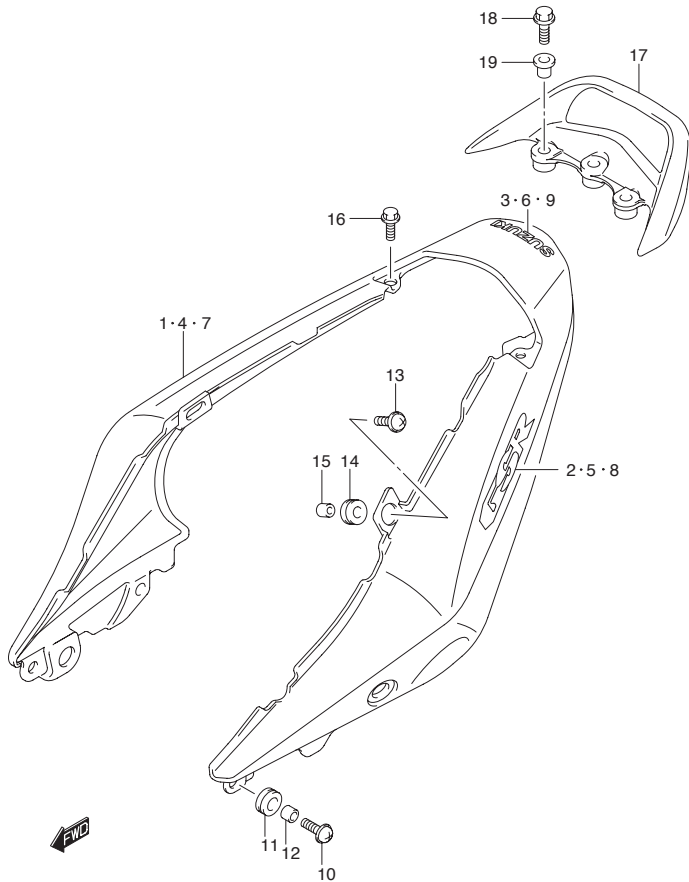


FIG.50A (1-G-14) SEAT TAIL COVER (MODEL K7)

REF NO.	PART NO.	DESCRIPTION	Q'TY	REMARKS
1-1	45501-44G00-YD8	COVER ASSY, SEAT TAIL (SILVER)	1	FOR YD8
1-2	45501-44G00-YBA	COVER ASSY, SEAT TAIL (BLUE)	1	FOR YBA
1-3	45501-44G00-YHL	COVER ASSY, SEAT TAIL (RED)	1	FOR YHL
2-1	68161-44G00-DWS	·EMBLEM, SEAT TAIL COVER	2	FOR YD8
2-2	68161-44G00-DWT	·EMBLEM, SEAT TAIL COVER	2	FOR YBA
2-3	68161-44G00-DWU	·EMBLEM, SEAT TAIL COVER	2	FOR YHL
3-1	68641-19F00-YD8	·EMBLEM, "SUZUKI"	1	FOR YBA, YHL
3-2	68281-24F10-019	·EMBLEM, "SUZUKI"	1	FOR YD8
4	45501-44G10-YKV	COVER ASSY, SEAT TAIL (BLACK)	1	FOR YKV
5	68161-44G00-DHH	·EMBLEM, SEAT TAIL COVER	2	FOR YKV
6	68161-44GA0-CTY	·EMBLEM, "SUZUKI"	1	FOR YKV
7	45501-44G20-YAY	COVER ASSY, SEAT TAIL (BLACK)	1	FOR YBD
8	68161-44G10-CZW	·EMBLEM, SEAT TAIL COVER	2	FOR YAY
9	68641-19F00-17U	·EMBLEM, "SUZUKI"	1	FOR YAY
10	09136-06081	SCREW, SEAT TAIL COVER FR	2	
11	09320-12068	CUSHION, SEAT TAIL COVER FR	2	
12	09180-06300	SPACER, SEAT TAIL COVER FR	2	
13	09136-06081	SCREW, SEAT TAIL COVER CTR	2	
14	09320-12068	CUSHION, SEAT TAIL COVER CTR	2	
15	09180-06300	SPACER, SEAT TAIL COVER CTR	2	
16	09111-06073	BOLT, SEAT TAIL COVER RR	2	
17	46211-44G00-YD8	HANDLE, PILLION RIDER	1	
18	01551-0835A	BOLT	3	
19	46290-44G01	WASHER	3	

REFER TO FIG.50B (1-G-15) FOR MODEL K8
 REFER TO FIG.50C (1-H-2) FOR MODEL K9
 REFER TO FIG.50D (1-H-3) FOR MODEL L0

FIG.50B

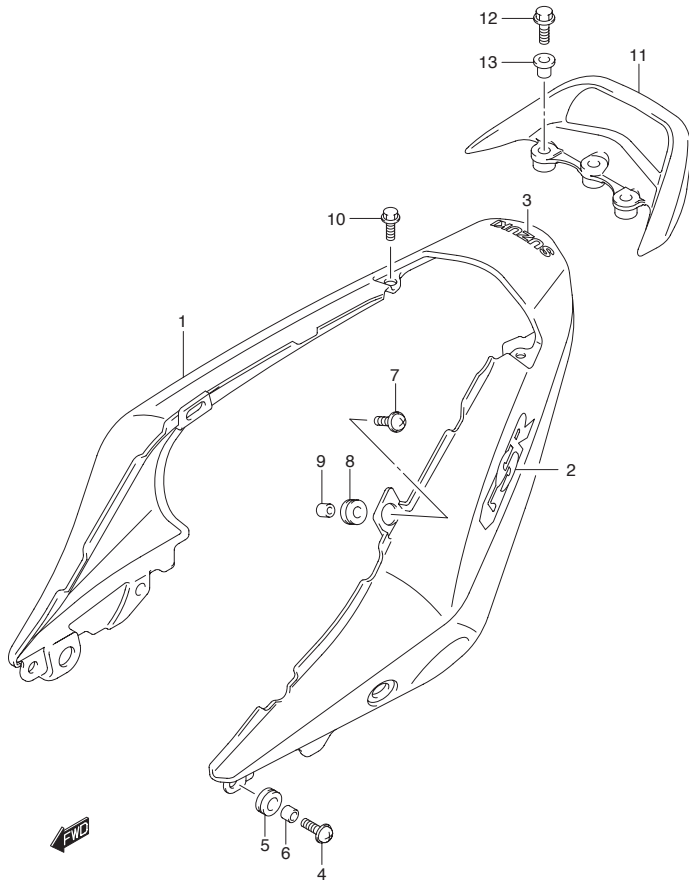


FIG.50B (1-G-15) SEAT TAIL COVER (MODEL K8)

REF NO.	PART NO.	DESCRIPTION	Q'TY	REMARKS
1-1	45501-44G00-YAY	COVER ASSY, SEAT TAIL (BLACK)	1	FOR YAY
1-2	45501-44G00-4HX	COVER ASSY, SEAT TAIL (BLUE)	1	FOR YBA
1-3	45501-44G00-YMD	COVER ASSY, SEAT TAIL (SILVER)	1	FOR YMD
1-4	45501-44G00-YME	COVER ASSY, SEAT TAIL (ORANGE)	1	FOR YME
1-5	45501-44G00-YLF	COVER ASSY, SEAT TAIL (GRAY)	1	FOR YLF
2-1	68161-44G00-FRC	·EMBLEM, SEAT TAIL COVER	2	FOR YAY
2-2	68161-44G00-FRD	·EMBLEM, SEAT TAIL COVER	2	FOR 4HX
2-3	68161-44G00-FRE	·EMBLEM, SEAT TAIL COVER	2	FOR YMD
2-4	68161-44G00-FRF	·EMBLEM, SEAT TAIL COVER	2	FOR YME
2-5	68161-44G00-FRG	·EMBLEM, SEAT TAIL COVER	2	FOR YLF
3-1	68641-19F00-YD8	·EMBLEM, "SUZUKI"	1	FOR 4HX, YLF
3-2	68281-24F10-019	·EMBLEM, "SUZUKI"	1	FOR YMD, YME
3-3	68641-19F00-17U	·EMBLEM, "SUZUKI"	1	FOR YAY
4	09136-06081	SCREW, SEAT TAIL COVER FR	2	
5	09320-12068	CUSHION, SEAT TAIL COVER FR	2	
6	09180-06300	SPACER, SEAT TAIL COVER FR	2	
7	09136-06081	SCREW, SEAT TAIL COVER CTR	2	
8	09320-12068	CUSHION, SEAT TAIL COVER CTR	2	
9	09180-06300	SPACER, SEAT TAIL COVER CTR	2	
10	09111-06073	BOLT, SEAT TAIL COVER RR	2	
11-1	46211-44G00-YAY	HANDLE, PILLION RIDER	1	
11-2	46211-44G00-YBA	HANDLE, PILLION RIDER	1	
11-3	46211-44G00-YLF	HANDLE, PILLION RIDER	1	
11-4	46211-44G00-YMD	HANDLE, PILLION RIDER	1	
11-5	46211-44G00-YME	HANDLE, PILLION RIDER	1	
12	01551-0835B	BOLT	3	
13	46290-44G01	WASHER	3	

REFER TO FIG.50C (1-H-2) FOR MODEL K9
 REFER TO FIG.50D (1-H-3) FOR MODEL L0

FIG.50C

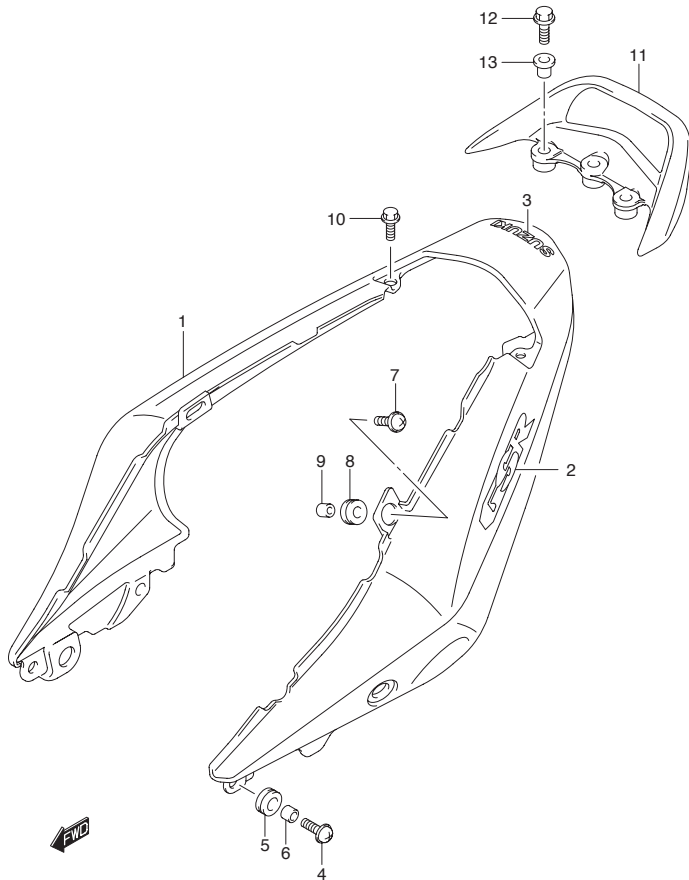


FIG.50C (1-H-2) SEAT TAIL COVER (MODEL K9)

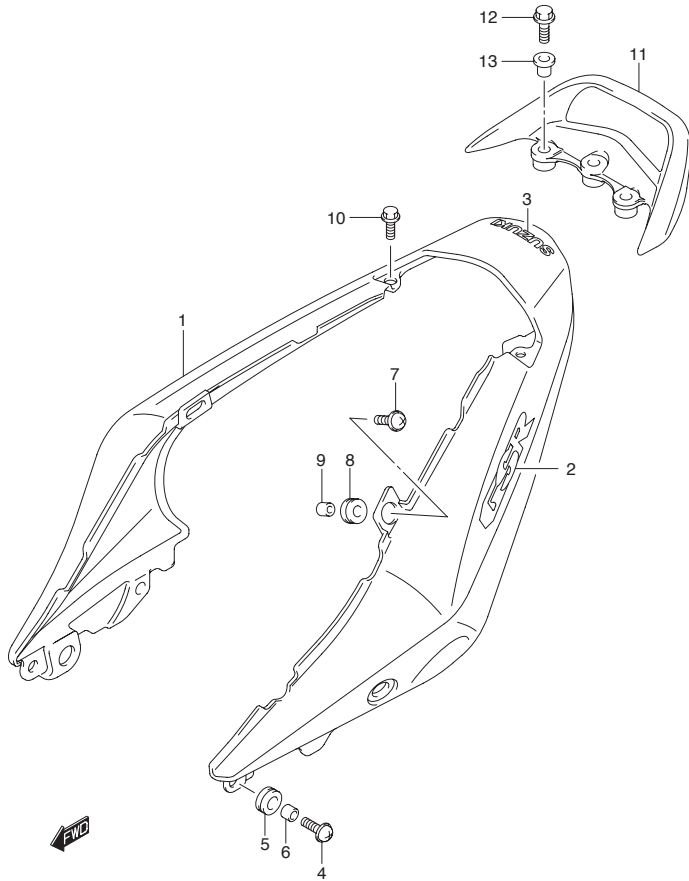
REF NO.	PART NO.	DESCRIPTION	Q'TY	REMARKS
1-1	45501-44G00-YAY	COVER ASSY, SEAT TAIL (BLACK)	1	FOR YAY
1-2	45501-44G00-YPA	COVER ASSY, SEAT TAIL (WHITE)	1	FOR YPA
1-3	45501-44G00-5AX	COVER ASSY, SEAT TAIL (GRAY)	1	FOR YHG
1-4	45501-44G00-5JX	COVER ASSY, SEAT TAIL (SILVER)	1	FOR GUL
2-1	68161-44G00-FRC	·EMBLEM, SEAT TAIL COVER	2	FOR YAY
2-2	68161-44G00-HAB	·EMBLEM, SEAT TAIL COVER	2	FOR 5AX
2-3	68161-44G00-HAC	·EMBLEM, SEAT TAIL COVER	2	FOR 5AX
2-4	68161-44G00-HAD	·EMBLEM, SEAT TAIL COVER	2	FOR 5JX
3-1	68281-24F10-019	·EMBLEM, "SUZUKI"	1	FOR 5AX, 5JX
3-2	68641-19F00-17U	·EMBLEM, "SUZUKI"	1	FOR YAY, YPA
4	09136-06081	SCREW, SEAT TAIL COVER FR	2	
5	09320-12068	CUSHION, SEAT TAIL COVER FR	2	
6	09180-06300	SPACER, SEAT TAIL COVER FR	2	
7	09136-06081	SCREW, SEAT TAIL COVER CTR	2	
8	09320-12068	CUSHION, SEAT TAIL COVER CTR	2	
9	09180-06300	SPACER, SEAT TAIL COVER CTR	2	
10	09111-06073	BOLT, SEAT TAIL COVER RR	2	
11-1	46211-44G00-YAY	HANDLE, PILLION RIDER (BLACK)	1	FOR YAY
11-2	46211-44G00-YHG	HANDLE, PILLION RIDER (GRAY)	1	FOR YHG
11-3	46211-44G00-YPA	HANDLE, PILLION RIDER (WHITE)	1	FOR YPA
11-4	46211-44G00-YSF	HANDLE, PILLION RIDER (BLUE)	1	FOR GUL
12	01551-0835A	BOLT	3	
13	46290-44G01	WASHER	3	

REFER TO FIG.50D (1-H-3) FOR MODEL L0

FIG.50D

FIG.50D (1-H-3) SEAT TAIL COVER (MODEL L0)

4



REF NO.	PART NO.	DESCRIPTION	Q'TY	REMARKS
1-1	45501-44G30-YAY	COVER ASSY, SEAT TAIL (BLACK)	1	FOR YAY,YLF
1-2	45501-44G30-4CX	COVER ASSY, SEAT TAIL (WHITE)	1	FOR YPA
2-1	68161-44G20-YHG	·EMBLEM, SEAT TAIL COVER	2	FOR YAY,YLF
2-2	68161-44G20-YPA	·EMBLEM, SEAT TAIL COVER	2	FOR YPA
3	68641-19F00-17U	·EMBLEM, "SUZUKI"	1	
4	09136-06081	SCREW, SEAT TAIL COVER FR	2	
5	09320-12068	CUSHION, SEAT TAIL COVER FR	2	
6	09180-06300	SPACER, SEAT TAIL COVER FR	2	
7	09136-06081	SCREW, SEAT TAIL COVER CTR	2	
8	09320-12068	CUSHION, SEAT TAIL COVER CTR	2	
9	09180-06300	SPACER, SEAT TAIL COVER CTR	2	
10	09111-06073	BOLT, SEAT TAIL COVER RR	2	
11	46211-44G00-YAY	HANDLE, PILLION RIDER (BLACK)	1	
12	01551-0835A	BOLT	3	
13	46290-44G01	WASHER	3	

FIG.51

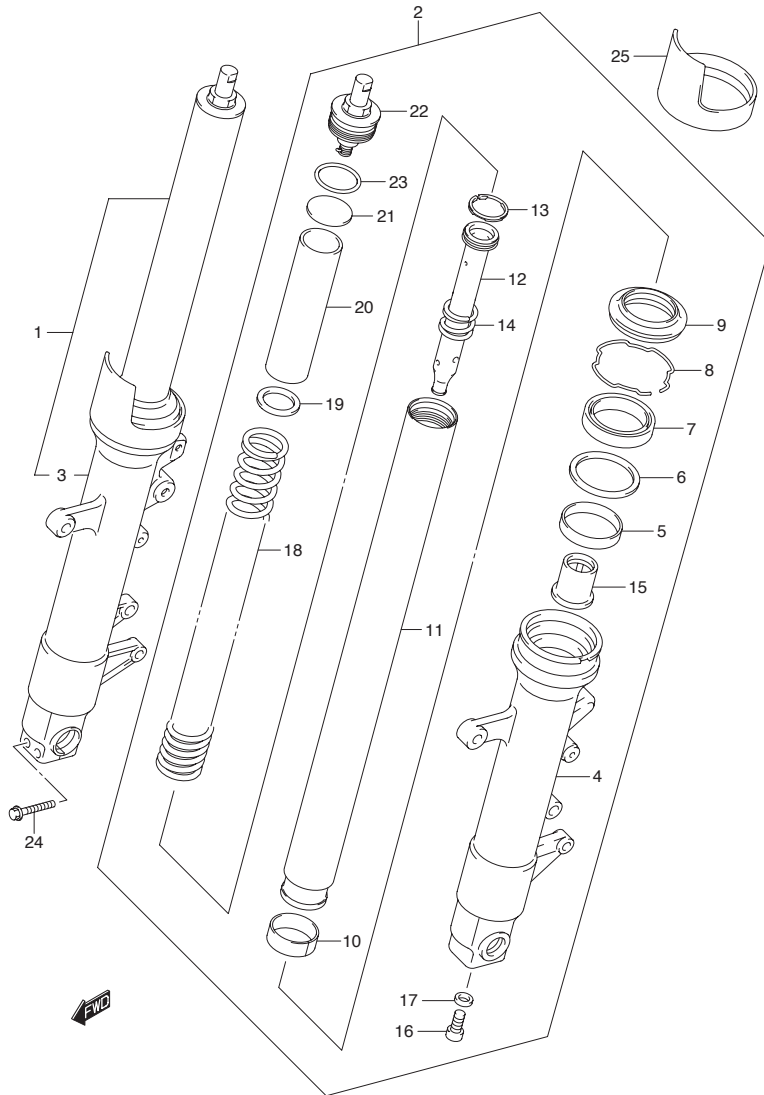


FIG.51 (1-H-4) FRONT DAMPER (GSR600K6/K7/AK7)

REF NO.	PART NO.	DESCRIPTION	Q'TY	REMARKS
1-1	51103-44G00	DAMPER ASSY, FRONT FORK, R	1	GSR600K6/K7
1-2	51103-44G10	DAMPER ASSY, FRONT FORK, R	1	GSR600AK7
2-1	51104-44G00	DAMPER ASSY, FRONT FORK, L	1	GSR600K6/K7
2-2	51104-44G10	DAMPER ASSY, FRONT FORK, L	1	GSR600AK7
3	51130-44G00	·TUBE, OUTER, R	1	
4	51140-44G00	·TUBE, OUTER, L	1	
5	51167-44G00	·METAL, SLIDE	2	
6	51158-14200	·WASHER	2	
7	51153-44G00	·SEAL, OIL	2	
8	51156-14200	·RING, STOPPER	2	
9	51173-02FA0	·SEAL, DUST	2	
10	51121-44G00	·PISTON	2	
11	51110-44G00	·TUBE, INNER	2	
12	51146-44G00	·CYLINDER	2	
13	51196-44G00	·RING, PISTON	2	
14	51177-44G00	·SPRING	2	
15	51195-33D10	·PIECE, OIL LOCK	2	
16	51147-16510	·BOLT, FORK CYLINDER, 10X25	2	
17	51148-41310	·GASKET	2	
18	51171-44G00	·SPRING, FRONT	2	
19	51172-32E00	·WASHER	2	
20	51176-44G00	·SPACER, SPRING	2	
21	51192-44G00	·WASHER	2	
22	51351-44G00	·CAP, FRONT FORK	2	
23	51117-14200	·O RING	2	
24	51328-31FA0	BOLT	2	RH
25	51201-16G00	PROTECTOR	2	

REFER TO FIG.51A (1-H-5) FOR GSR600AK8/AK9/AL0

FIG.51A

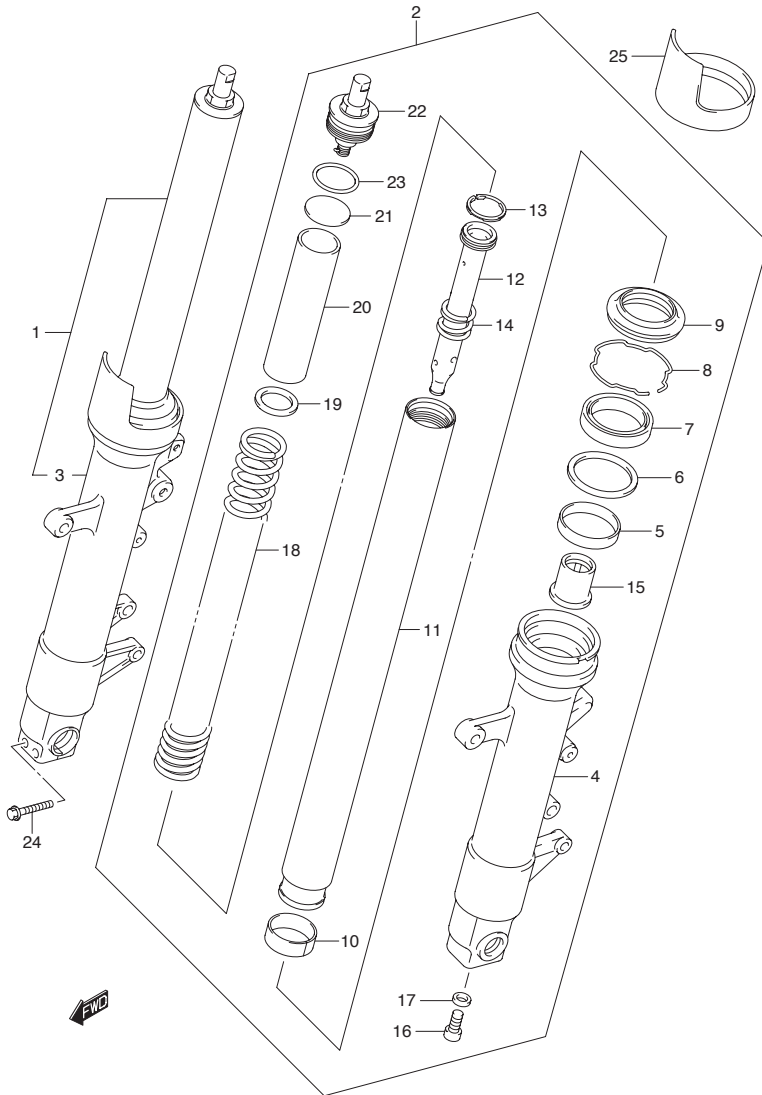


FIG.51A (1-H-5) FRONT DAMPER (GSR600AK8/AK9/ALO)

REF NO.	PART NO.	DESCRIPTION	Q'TY	REMARKS
1-1	51103-44G10	DAMPER ASSY, FRONT FORK, R (SILVER)	1	FOR YBA, YMD, YLF
1-2	51103-44G40	DAMPER ASSY, FRONT FORK, R (BLACK)	1	FOR GUL, YAY, YHG, YME, YPA
2-1	51104-44G10	DAMPER ASSY, FRONT FORK, L (SILVER)	1	FOR YBA, YMD, YLF
2-2	51104-44G40	DAMPER ASSY, FRONT FORK, L (BLACK)	1	FOR GUL, YAY, YHG, YME, YPA
3-1	51130-44G00	·TUBE, OUTER, R (SILVER)	1	FOR YBA, YMD, YLF
3-2	51130-44G30	·TUBE, OUTER, R (BLACK)	1	FOR GUL, YAY, YHG, YME, YPA
4-1	51140-44G00	·TUBE, OUTER, L (SILVER)	1	FOR YBA, YMD, YLF
4-2	51140-44G30	·TUBE, OUTER, L (BLACK)	1	FOR GUL, YAY, YHG, YME, YPA
5	51167-44G00	·METAL, SLIDE	2	
6	51158-14200	·WASHER	2	
7	51153-44G00	·SEAL, OIL	2	
8	51156-14200	·RING, STOPPER	2	
9	51173-02FA0	·SEAL, DUST	2	
10	51121-44G00	·PISTON	2	
11	51110-44G00	·TUBE, INNER	2	
12	51146-44G00	·CYLINDER	2	
13	51196-44G00	·RING, PISTON	2	
14	51177-44G00	·SPRING	2	
15	51195-33D10	·PIECE, OIL LOCK	2	
16	51147-16510	·BOLT, FORK CYLINDER, 10X25	2	
17	51148-41310	·GASKET	2	
18	51171-44G00	·SPRING, FRONT	2	
19	51172-32E00	·WASHER	2	
20	51176-44G00	·SPACER, SPRING	2	
21	51192-44G00	·WASHER	2	
22	51351-44G00	·CAP, FRONT FORK	2	
23	51117-14200	·O RING	2	
24	51166-24F60	BOLT	2	RH
25	51201-16G00	PROTECTOR	2	

FIG.52

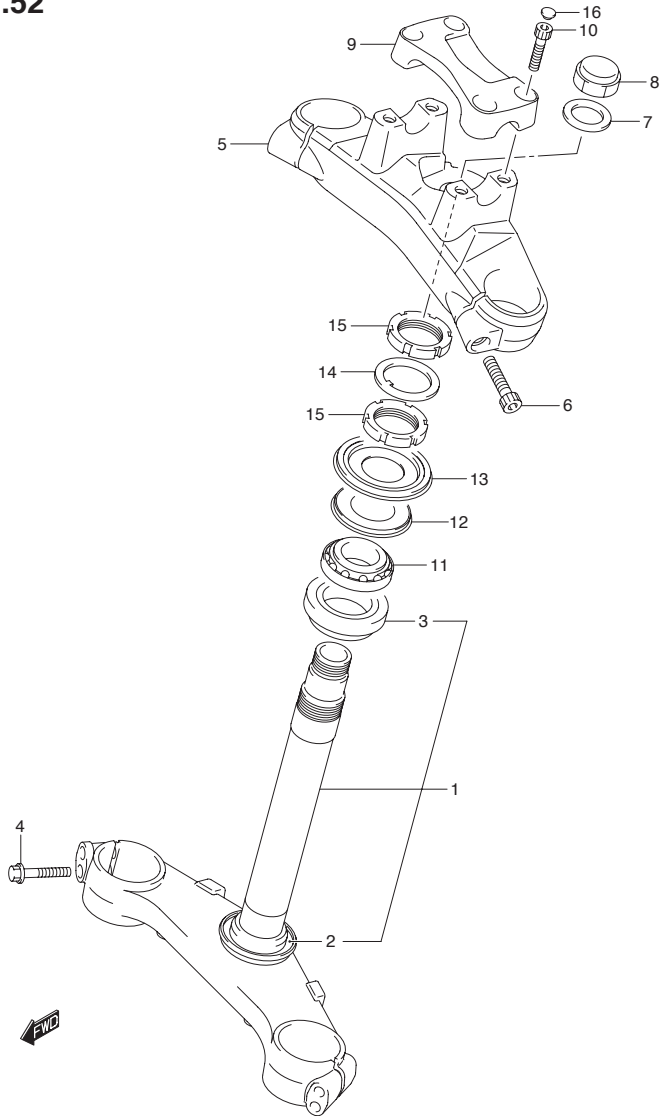


FIG.52 (1-H-6) STEERING STEM (GSR600K6/K7)

REF NO.	PART NO.	DESCRIPTION	Q'TY	REMARKS
1	51410-44G01	BRACKET, UNDER	1	
2	51644-12C00	·SEAL, STEERING LOWER	1	
3	09267-30010	·BEARING, 30X55X17	1	
4	51328-44G00	BOLT	4	
5	51311-44G00	BRACKET, UPPER	1	
6	51166-26F00	BOLT (8X40)	2	
7	51356-27C00	WASHER, STEM HEAD (24.5X34X1.6)	1	
8	51353-16G00	NUT	1	
9	56211-44G00	HOLDER, HANDLE	1	
10	51328-41G00	BOLT	4	
11	09267-30010	BEARING	1	
12	51644-12C00	SEAL, STEERING UPPER DUST	1	
13	51643-44G00	COVER, STEERING UPPER	1	
14	51641-33E00	WASHER, STEM	1	
15	51631-33E00	NUT, STEM	2	
16	09250-06011	CAP	4	

REFER TO FIG.52A (1-H-7) FOR GSR600AK7/AK8/AK9/ALO

FIG.52A

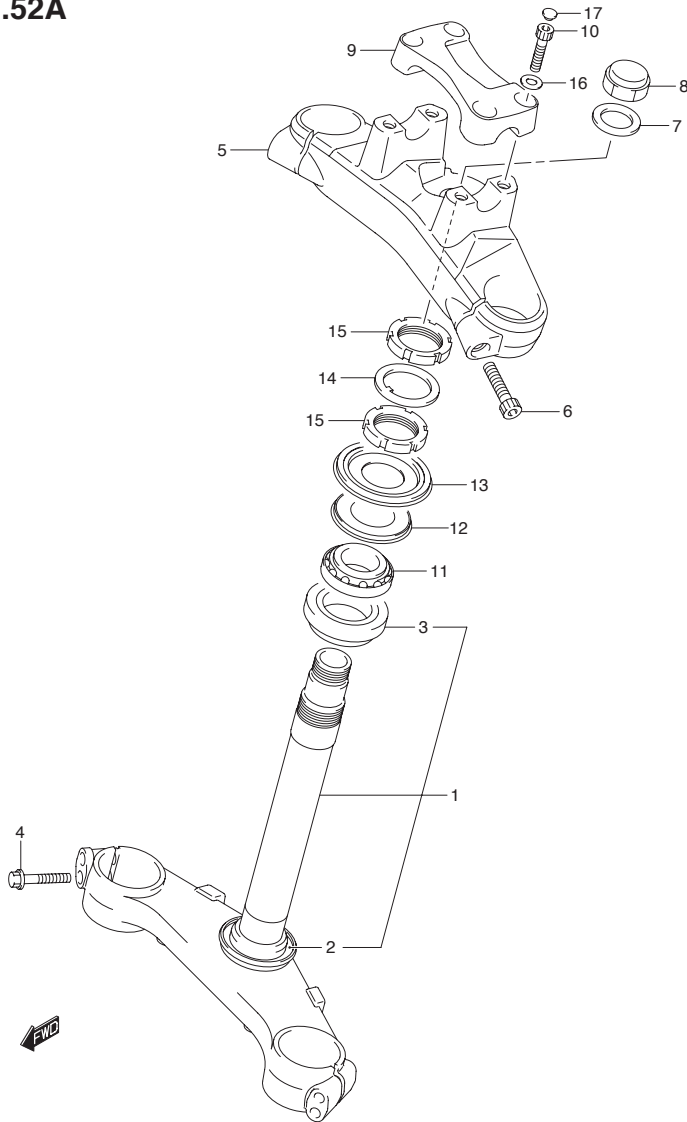


FIG.52A (1-H-7) STEERING STEM (GSR600AK7/AK8/AK9/AL0)

REF NO.	PART NO.	DESCRIPTION	Q'TY	REMARKS
1-1	51410-44G01	BRACKET, UNDER (SILVER)	1	GSR600AK7 GSR600AK8 FOR YBA, YMD, YLF GSR600AK9 FOR GUL, YHG
1-2	51410-44G30	BRACKET, UNDER (BLACK)	1	GSR600AK8 FOR YAY, YME GSR600AK9 FOR YAY, YPA GSR600AL0 FOR YAY, YLF, YPA
2	51644-12C00	·SEAL, STEERING LOWER	1	
3	09267-30010	·BEARING, 30X55X17	1	
4	51434-44G00	BOLT	4	
5-1	51311-44G00	BRACKET, UPPER (SILVER)	1	GSR600AK7 GSR600AK8 FOR YBA, YMD, YLF GSR600AK9 FOR GUL, YHG
5-2	51311-44G30	BRACKET, UPPER (BLACK)	1	GSR600AK8 FOR YAY, YME GSR600AK9 FOR YAY, YPA GSR600AL0 FOR YAY, YLF, YPA
6	51328-44G10	BOLT (8X40)	2	
7	51356-27C00	WASHER, STEM HEAD (24.5X34X1.6)	1	
8	51353-16G00	NUT	1	
9-1	56211-44G00	HOLDER, HANDLE (SILVER)	1	GSR600AK7 GSR600AK8 FOR YBA, YMD, YLF GSR600AK9 FOR GUL, YHG
9-2	56211-44G30	HOLDER, HANDLE (BLACK)	1	GSR600AK8 FOR YAY, YME GSR600AK9 FOR YAY, YPA GSR600AL0 FOR YAY, YLF, YPA
10	51328-44G00	BOLT	4	
11	09267-30010	BEARING	1	
12	51644-12C00	SEAL, STEERING UPPER DUST	1	
13	51643-44G00	COVER, STEERING UPPER	1	
14	51641-33E00	WASHER, STEM	1	
15	51631-33E00	NUT, STEM	2	
16	09164-08015	WASHER	4	
17	09250-06011	CAP	4	

4

FIG.53

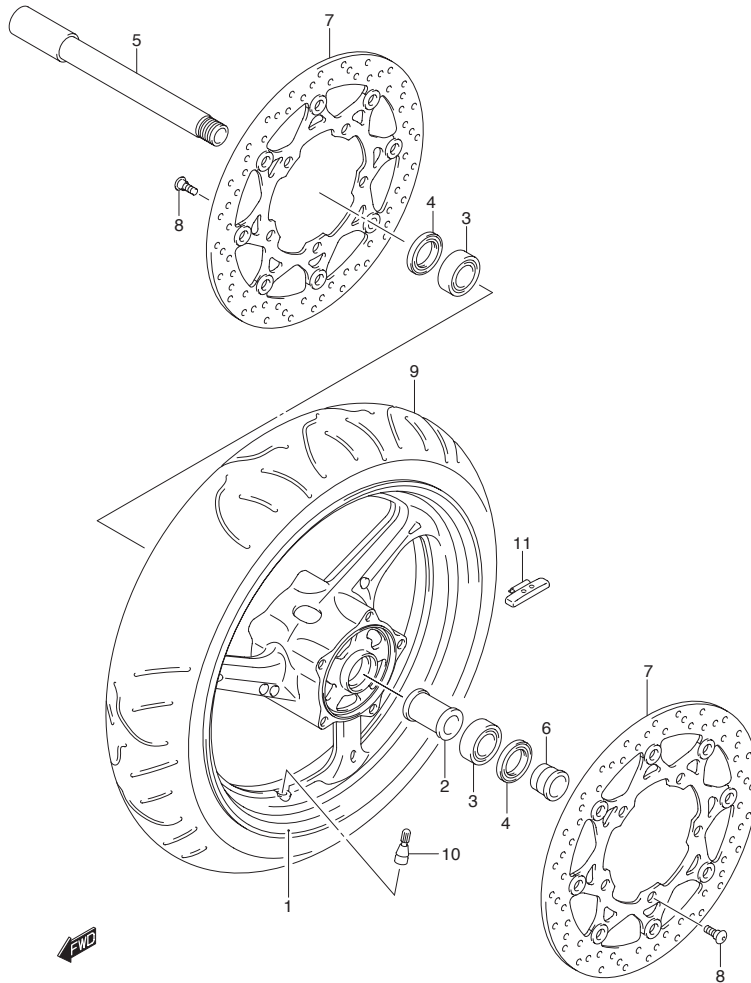


FIG.53 (1-H-8) FRONT WHEEL (GSR600K6/K7)

REF NO.	PART NO.	DESCRIPTION	Q'TY	REMARKS
1-1	54111-44G00-019	WHEEL, FRONT (17M/CXMT3.50) (BLACK)	1	GSR600 K6/K7
1-2	54111-44G00-YMY	WHEEL, FRONT (17M/CXMT3.50) (SILVER)	1	GSR600 K7
2	54731-44G00	SPACER, HUB BEARING	1	
3	09262-22035	BEARING	2	
4	09283-28016	SEAL	2	
5	54711-44G00	AXLE, FRONT	1	
6	54751-44G00	SPACER, FR AXLE	1	
7	59210-44G11	DISC, FRONT BRAKE	2	
8	09106-08160	BOLT	10	
9	55110-44G00	TIRE, FRONT 120/70 ZR17M/C (58W) (BRIDGESTONE)	1	BT014F RADIAL SN
10	43130-24A00	VALVE ASSY, WHEEL RIM (TR412)	1	
11-1	55411-39G00	BALANCER, WHEEL NO.1	0~3	
11-2	55412-39G00	BALANCER, WHEEL NO.2	0~3	

REFER TO FIG.53A (1-H- 9) FOR GSR600AK7/AK8/AK9
 REFER TO FIG.53B (1-H-10) FOR GSR600AL0

FIG.53A

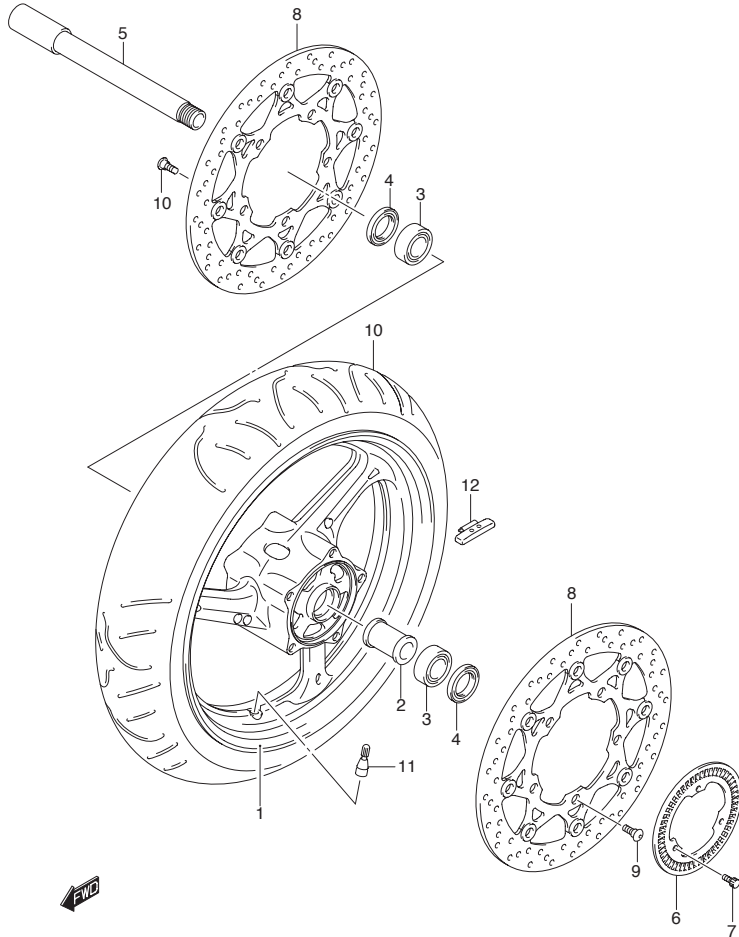


FIG.53A (1-H-9) FRONT WHEEL (GSR600AK7/AK8/AK9)

REF NO.	PART NO.	DESCRIPTION	Q'TY	REMARKS
1-1	54111-44G10-YMY	WHEEL, FRONT (17M/CXMT3.50) (SILVER)	1	GSR600AK7 FOR YBD
1-2	54111-44G10-019	WHEEL, FRONT (17M/CXMT3.50) (BLACK)	1	GSR600AK7 FOR YKV, YD8, YBA, YHL GSR600AK8 FOR YAY, YBA, YMD, YME GSR600AK9
1-3	54111-44G10-YSB	WHEEL, FRONT (17M/CXMT3.50) (RED)	1	GSR600AK8 FOR YLF
2	54731-44G00	SPACER, HUB BEARING	1	
3	09262-22035	BEARING	2	
4	09283-28016	SEAL	2	
5	54711-44G00	AXLE, FRONT	1	
6	54162-27G00	RING, SPEED SENSOR FR (50T)	1	
7	07130-05127	BOLT	3	
8-1	59210-44G11	DISC, FRONT BRAKE	2	GSR600AK7 GSR600AK8 FOR YAY, YBA, YMD, YLF GSR600AK9 FOR YAY, YHG
8-2	59210-44G21	DISC, FRONT BRAKE	2	GSR600AK8 YME GSR600AK9 FOR GUL, YPA
9	09106-08160	BOLT	10	
10	55110-44G00	TIRE, FRONT 120/70 ZR17M/C (58W) (BRIDGESTONE)	1	BT014F RADIAL SN
11	43130-24A00	VALVE ASSY, WHEEL RIM (TR412)	1	
12-1	55411-39G00	BALANCER, WHEEL NO.1	0~3	
12-2	55412-39G00	BALANCER, WHEEL NO.2	0~3	

REFER TO FIG.53B (1-H-12) FOR GSR600AL0

FIG.53B

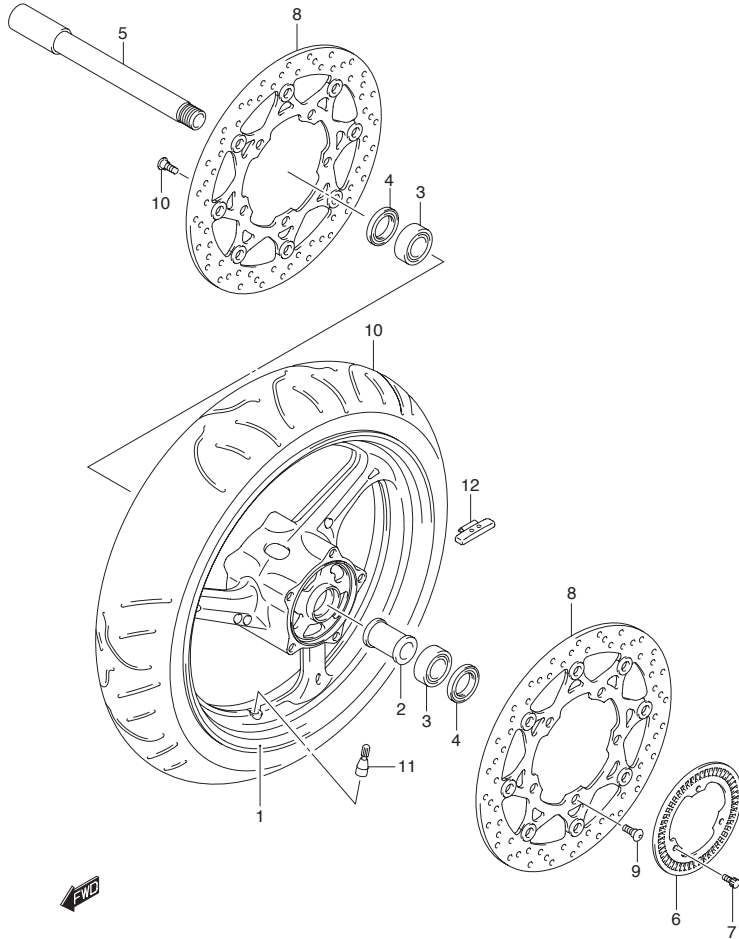


FIG.53B (1-H-10) FRONT WHEEL (GSR600AL0)

REF NO.	PART NO.	DESCRIPTION	Q'TY	REMARKS
1-1	54111-44G10-019	WHEEL, FRONT (17M/CXMT3.50) (BLACK)	1	FOR YAY, YLF
1-2	54111-44G10-YPU	WHEEL, FRONT (17M/CXMT3.50) (GOLD)	1	FOR YPA
2	54731-44G00	SPACER, HUB BEARING	1	
3	09262-22035	BEARING	2	
4	09283-28016	SEAL	2	
5	54711-44G00	AXLE, FRONT	1	
6	54162-27G00	RING, SPEED SENSOR FR (50T)	1	
7	07130-0512A	BOLT	3	
8	59210-44G11	DISC, FRONT BRAKE	2	
9	09106-08160	BOLT	10	
10	55110-44G00	TIRE, FRONT 120/70 ZR17M/C (58W) (BRIDGESTONE)	1	BT014F RADIAL SN
11	43130-24A00	VALVE ASSY, WHEEL RIM (TR412)	1	
12-1	55411-22H00	BALANCER, WHEEL NO.1	0~3	
12-2	55412-22H00	BALANCER, WHEEL NO.2	0~3	

FIG.53C

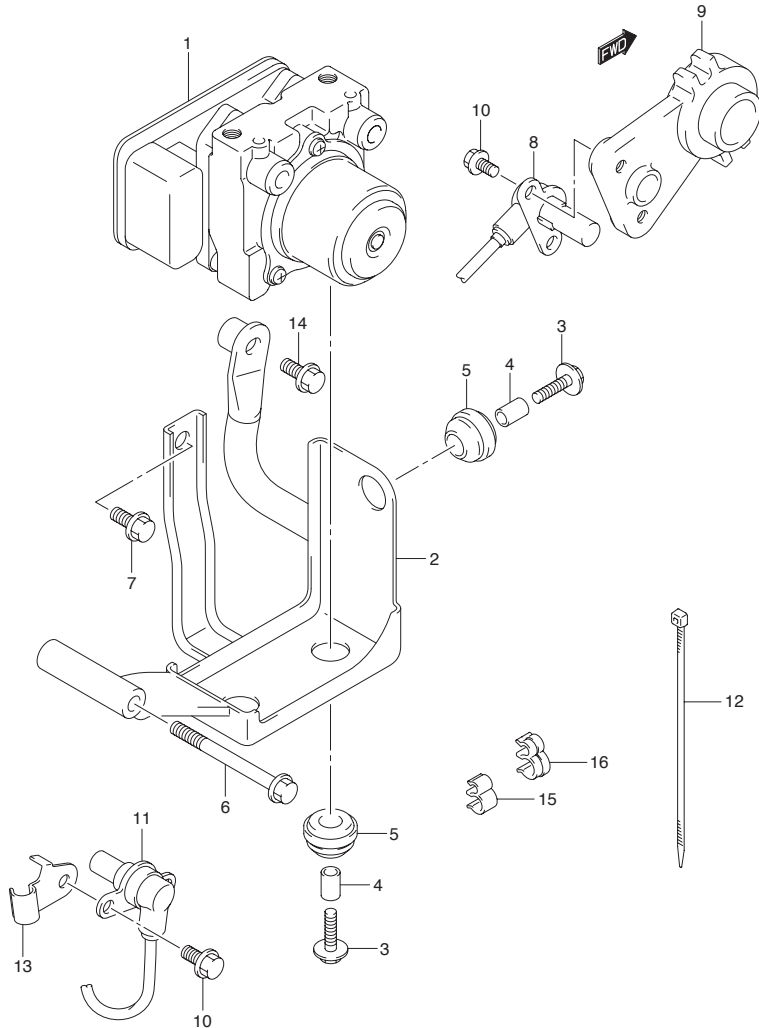


FIG.53C (1-H-11) HYDRAULIC UNIT (GSR600AK7/AK8/AK9/ALO)

REF NO.	PART NO.	DESCRIPTION	Q'TY	REMARKS
1	55610-44G00	UNIT ASSY, HYDRAULIC ABS	1	
2	55660-44G00	HOLDER, HYDRAULIC UNIT ABS	1	
3	09116-06171	BOLT, UNIT MOUNTING	3	
4	09180-06296	SPACER	3	
5	09320-10061	CUSHION	3	
6	01550-0875A	BOLT	1	
7	01550-0816A	BOLT	1	
8	55710-44G00	SENSOR, FR WHEEL ABS	1	
9	55720-44G00	BRACKET, SENSOR FR	1	
10	01547-0612A	BOLT	4	
11	65710-44G00	SENSOR, RR WHEEL ABS	1	
12	09407-14407	CLAMP, SENSOR	6	
13	65731-44G00	CLAMP, ABS SENSOR REAR	1	
14	01550-0830A	BOLT	1	
15	09408-00241	CLAMP, SENSOR	2	
16	09408-00242	CLAMP, SENSOR	3	

4

FIG.54

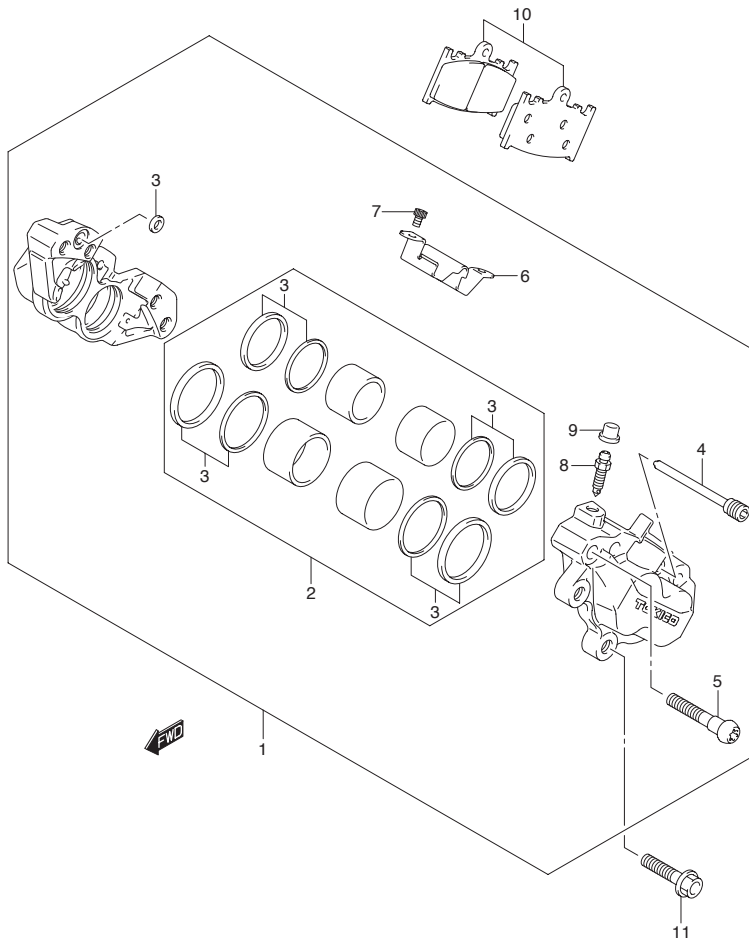


FIG.54 (1-H-12) FRONT CALIPER (GSR600K6/K7)

REF NO.	PART NO.	DESCRIPTION	Q'TY	REMARKS
1-1	59100-35F50-999	CALIPER ASSY, FRONT RH	1	
1-2	59300-35F50-999	CALIPER ASSY, FRONT LH	1	
2	59100-35870	·PISTON SET	2	
3	59100-35820	··SEAL SET, PISTON	2	
4	59141-40F00	·PIN	2	
5	59145-18G00	·BOLT	8	
6-1	59152-35F00	·COVER, RH	1	
6-2	59151-35F00	·COVER, LH	1	
7	59153-22D00	·SCREW	4	
8	59121-18410	·BLEEDER	2	
9	55156-66310	·CAP	2	
10	59100-35880	PAD SET	2	
11	09103-08359	BOLT	4	

REFER TO FIG.54A (1-H-13) FOR GSR600AK7/AK8/AK9/AL0

FIG.54A

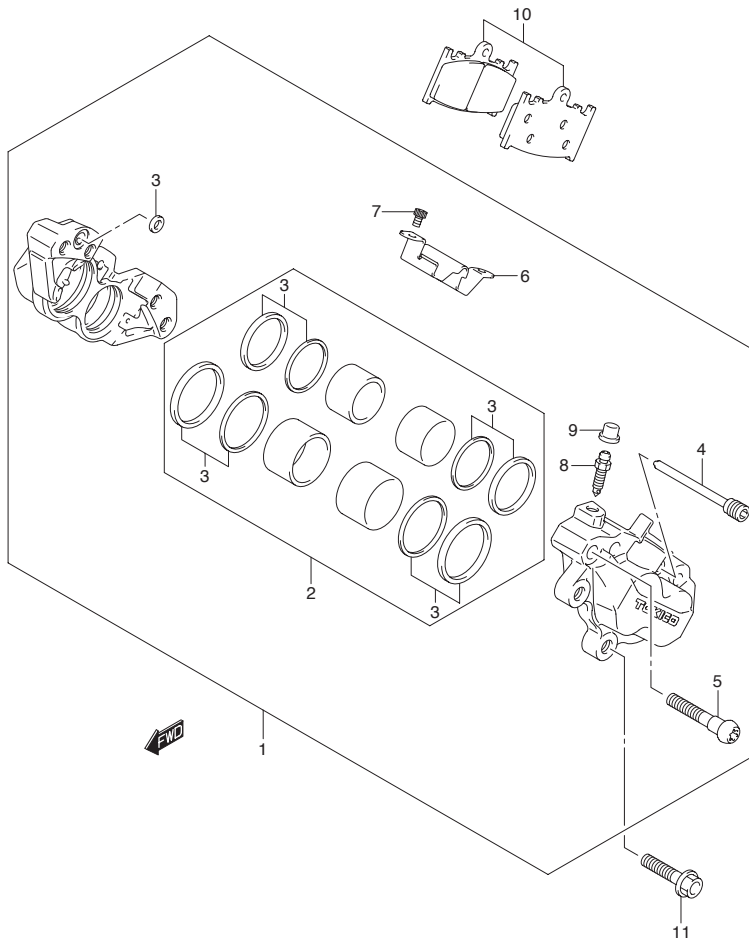


FIG.54A (1-H-13) FRONT CALIPER (GSR600AK7/AK8/AK9/AL0)

REF NO.	PART NO.	DESCRIPTION	Q'TY	REMARKS
1-1	59100-35F60-999	CALIPER ASSY, FRONT RH	1	
1-2	59300-35F60-999	CALIPER ASSY, FRONT LH	1	
2	59300-34811	·PISTON SET	2	
3	59300-34821	··SEAL SET, PISTON	2	
4	59141-40F00	·PIN	2	
5	59145-18G00	·BOLT	8	
6-1	59152-35F00	·COVER, RH	1	
6-2	59151-35F00	·COVER, LH	1	
7	59153-22D00	·SCREW	4	
8	59121-18410	·BLEEDER	2	
9	55156-66310	·CAP	2	
10	59100-35880	PAD SET	2	
11	09103-08359	BOLT	4	

FIG.55

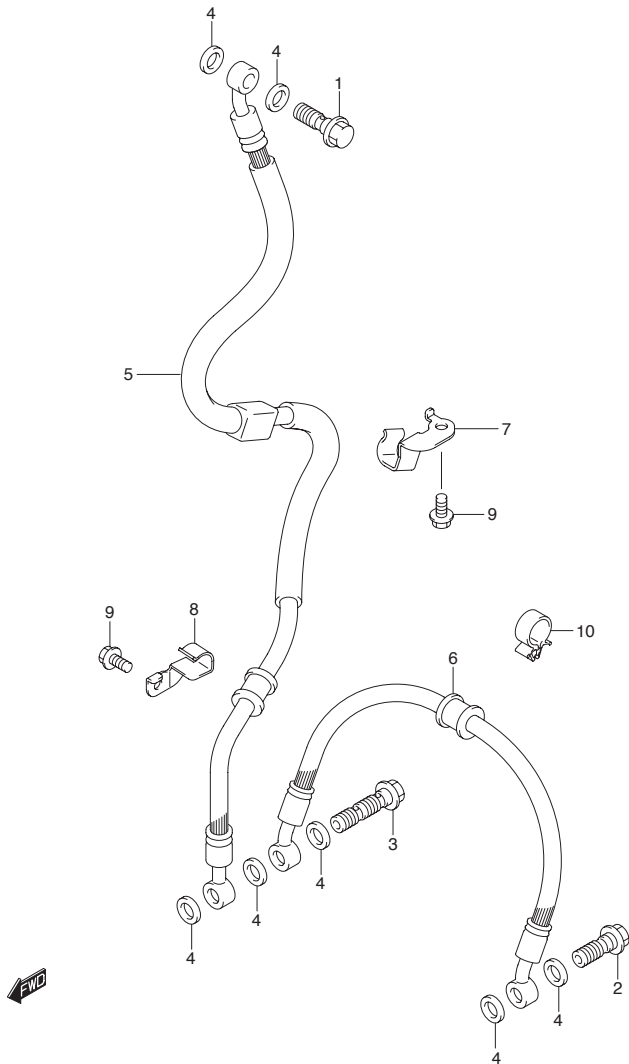


FIG.55 (1-H-14) FRONT BRAKE HOSE (GSR600K6/K7)

REF NO.	PART NO.	DESCRIPTION	Q'TY	REMARKS
1	09360-10062	BOLT, UPPER (10X1.25X22)	1	
2	09360-10062	BOLT, LH (10X1.25X22)	1	
3	09360-10064	BOLT, RH (10X1.25X36)	1	
4	09161-10009	WASHER	7	
5	59480-44G01	HOSE, FRONT BRAKE NO.1	1	
6	59240-44G01	HOSE, FRONT BRAKE NO.2	1	
7	59261-44G00	CLAMP, BRAKE HOSE NO.1	1	
8	59268-44G00	CLAMP, BRAKE HOSE NO.2	1	
9	01547-0612B	BOLT	2	
10	09403-16412	CLAMP, BRAKE HOSE NO.3	2	

REFER TO FIG.55A (1-H-15) FOR GSR600AK7/AK8/AK9/AL0

FIG.55A

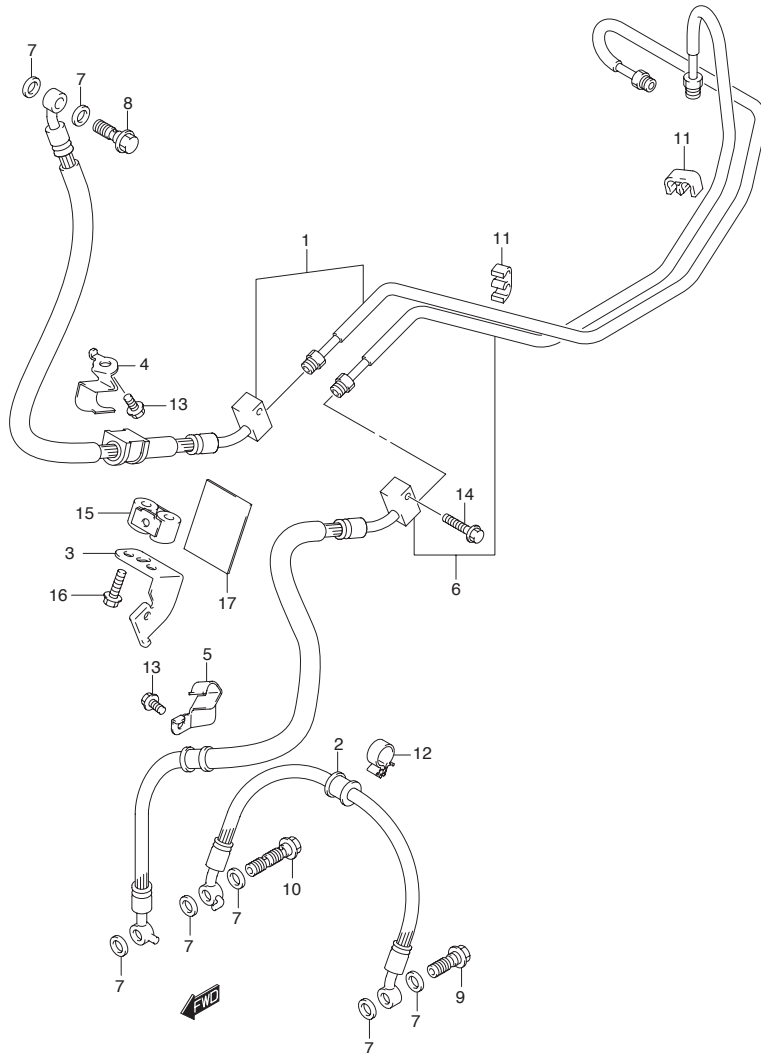


FIG.55A (1-H-15) FRONT BRAKE HOSE (GSR600AK7/AK8/AK9/AL0)

REF NO.	PART NO.	DESCRIPTION	Q'TY	REMARKS
1-1	59200-44G00	HOSE ASSY, FR BRAKE NO.1	1	MODEL K7/K8
1-2	59200-44G10	HOSE ASSY, FR BRAKE NO.1	1	MODEL K9/L0
2	59240-44G10	HOSE, FR BRAKE NO.2	1	
3-1	59253-44G00	CLAMP	1	MODEL K7/K8
3-2	59253-44G10	CLAMP	1	MODEL K9/L0
4	59261-44G10	CLAMP	1	
5	59268-44G10	CLAMP	1	
6-1	59400-44G00	HOSE ASSY, FR BRAKE NO.2	1	MODEL K7/K8
6-2	59400-44G10	HOSE ASSY, FR BRAKE NO.2	1	MODEL K9/L0
7	09161-10009	WASHER, BRAKE FLUID	7	
8	09360-10062	BOLT, BRAKE FLUID	1	
9	09360-10062	BOLT, BRAKE FLUID	1	
10	09360-10064	BOLT, BRAKE FLUID	1	
11	09403-06324	CLAMP	2	
12	09403-16412	CLAMP	1	
13	01547-0612A	BOLT	2	
14	01547-0635A	BOLT	1	
15	59460-44G00	NUT	1	
16	07120-0830A	BOLT	2	
17	59469-44G00	CUSHION NUT	1	

FIG.56

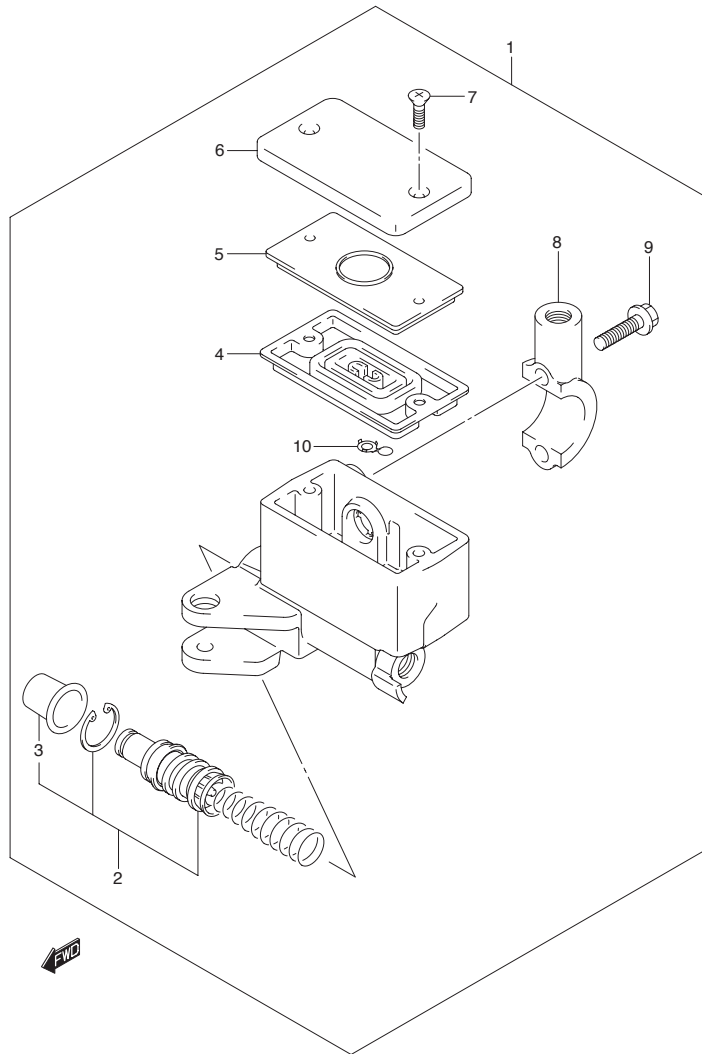


FIG.56 (1-I-2) FRONT MASTER CYLINDER (GSR600K6/K7)

REF NO.	PART NO.	DESCRIPTION	Q'TY	REMARKS
1	59600-42F00	CYLINDER ASSY, FRONT MASTER	1	
2	59600-45860	·PISTON/CUP SET	1	
3	59666-44300	··BOOT	1	
4	59667-49460	·DIAPHRAGM	1	
5	59668-41C00	·PLATE, DIAPHRAGM	1	
6	59669-10G00	·CAP	1	
7	69689-49300	·SCREW	2	
8	59671-32F00	·HOLDER	1	
9	59675-02FA0	·BOLT (6X22)	2	
10	59664-32F00	·PROTECTOR	1	

REFER TO FIG.56A (1-I-3) FOR GSR600AK7/AK8/AK9/AL0

FIG.56A

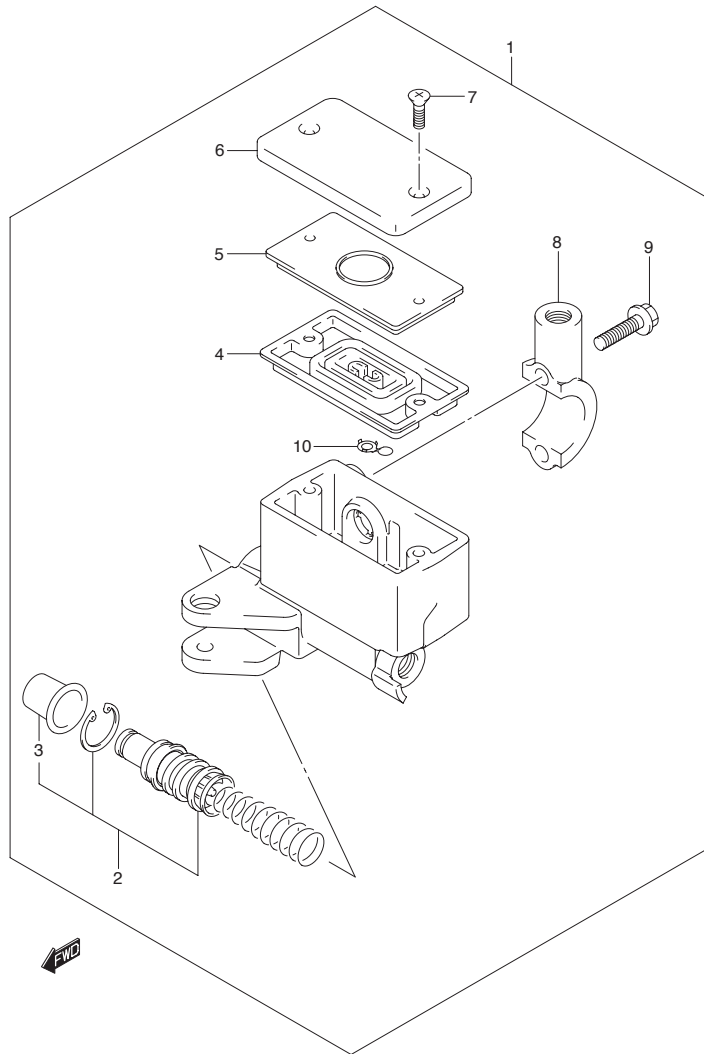


FIG.56A (1-I-3) FRONT MASTER CYLINDER (GSR600AK7/AK8/AK9/AL0)

REF NO.	PART NO.	DESCRIPTION	Q'TY	REMARKS
1	59600-10G10	CYLINDER ASSY, FRONT MASTER	1	
2	59600-45850	·PISTON/CUP SET	1	
3	59666-44300	··BOOT	1	
4	59667-49460	·DIAPHRAGM	1	
5	59668-41C00	·PLATE, DIAPHRAGM	1	
6	59669-10G00	·CAP	1	
7	69689-49300	·SCREW	2	
8	59671-32F00	·HOLDER	1	
9	59675-02FA0	·BOLT (6X22)	2	
10	59664-32F00	·PROTECTOR	1	

4

FIG.57

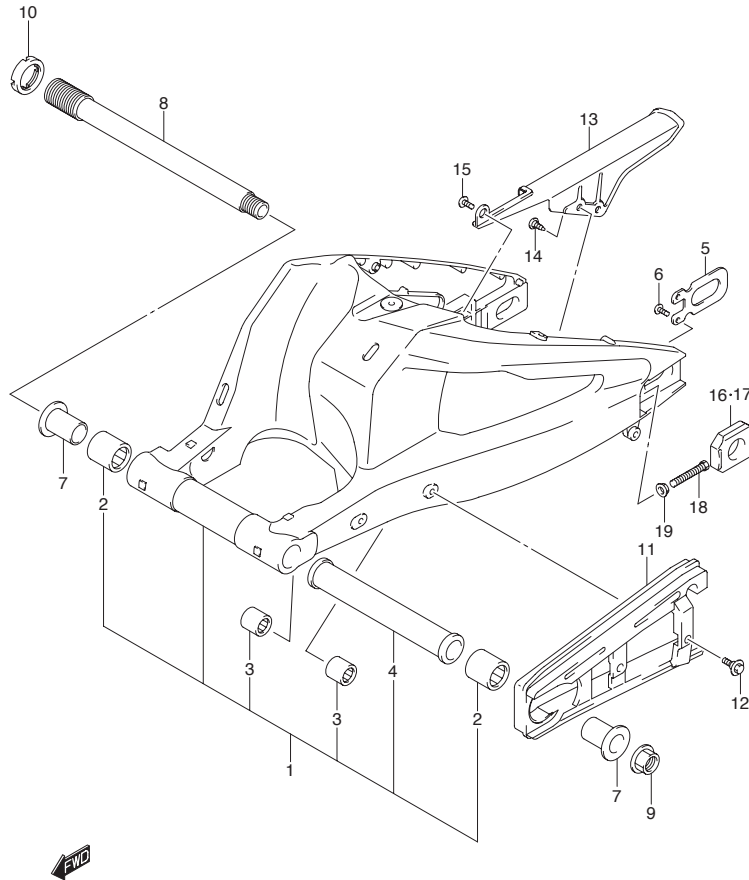


FIG.57 (1-1-4) REAR SWINGING ARM

REF NO.	PART NO.	DESCRIPTION	Q'TY	REMARKS
1-1	61000-44G02-YD8	SWINGING ARM ASSY, REAR (SILVER)	1	MODEL K6/K7 MODEL K8 FOR YBA, YMD, YLF MODEL K9 FOR GUL, YHG
1-2	61000-44G02-YAP	SWINGING ARM ASSY, REAR (BLACK)	1	MODEL K8 FOR YAY, YME MODEL K9 FOR YAY MODEL L0
1-3	61000-44G02-YUS	SWINGING ARM ASSY, REAR (SILVER)	1	MODEL K9 FOR YPA
2	09263-27013	·BEARING, PIVOT	2	
3	09263-17039	·BEARING, ROD (17X24X20)	2	
4	61281-44G00	·SPACER, CENTER	1	
5	61124-44G00	PLATE, BRACKET	1	
6	09125-06073	SCREW	1	
7	61251-41G00	SPACER, BEARING	2	
8	61211-41G00	SHAFT, PIVOT	1	
9	09159-20006	NUT	1	
10	61214-42E00	NUT, PIVOT	1	
11	61273-44G00	BUFFER, CHAIN TOUCH DEFENSE	1	
12	09111-06072	SCREW	2	
13	61311-41G01	CASE, CHAIN	1	
14	09139-06083	SCREW (6X16)	2	RR
15	02142-0612B	SCREW	1	FR
16	61445-44G00	ADJUSTER, CHAIN RH	1	
17	61446-44G00	ADJUSTER, CHAIN LH	1	
18	09100-08287	BOLT (8X50)	2	
19	08316-1008A	NUT	2	

FIG.58

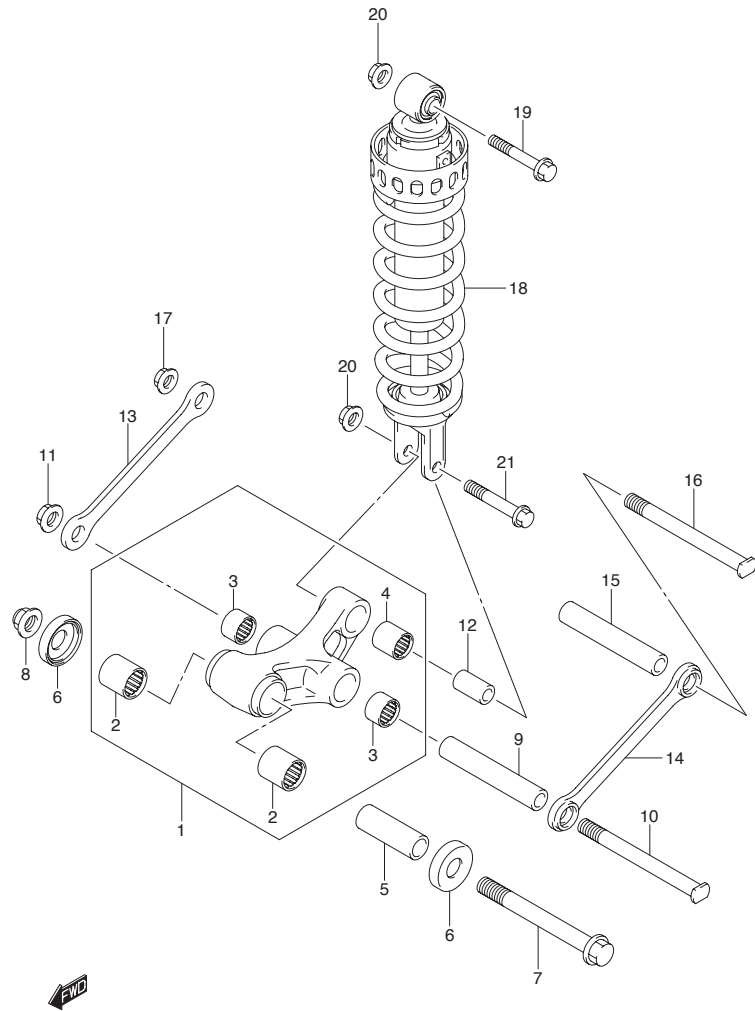


FIG.58 (1-I-5) REAR CUSHION LEVER

REF NO.	PART NO.	DESCRIPTION	Q'TY	REMARKS
1-1	62600-44870	LEVER SET, REAR CUSHION	1	MODEL K6/K7/K8
1-2	62600-44890	LEVER SET, REAR CUSHION	1	MODEL K9/L0
2	09263-22062	·BEARING, FRONT (22X28X20)	2	
3-1	09263-17039	·BEARING, CENTER (17X24X20)	2	MODEL K6/K7/K8
3-2	09263-17037	·BEARING, CENTER (17X24X25)	2	MODEL K9/L0
4	09263-17034	·BEARING, REAR (17X24X26)	1	
5	62646-28E00	SPACER, FRONT	1	
6	62682-28E00	SEAL, RR CUSHION LEVER	2	
7	62658-44G00	BOLT, FRONT	1	
8	08319-3116A	NUT	1	
9	62626-33D00	SPACER, CENTER	1	
10-1	62621-44G00	BOLT, CENTER	1	MODEL K6/K7/K8
10-2	62621-23H00	BOLT, CENTER	1	MODEL K9/L0
11	09159-12056	NUT	1	
12	62684-40A10	SPACER, REAR	1	
13	62641-44G00	ROD, REAR CUSHION LEVER, R	1	
14	62640-44G00	ROD, REAR CUSHION LRVER, L	1	
15	62626-33D00	SPACER, ROD	1	
16-1	62621-44G00	BOLT, ROD	1	MODEL K6/K7/K8
16-2	62621-23H00	BOLT, ROD	1	MODEL K9/L0
17	09159-12056	NUT	1	
18	62100-44G00	ABSORBER ASSY, REAR SHOCK	1	
19	09103-10213	BOLT, UPPER	1	
20	09159-10115	NUT	2	
21	62311-28E00	BOLT, LOWER	1	

FIG.59

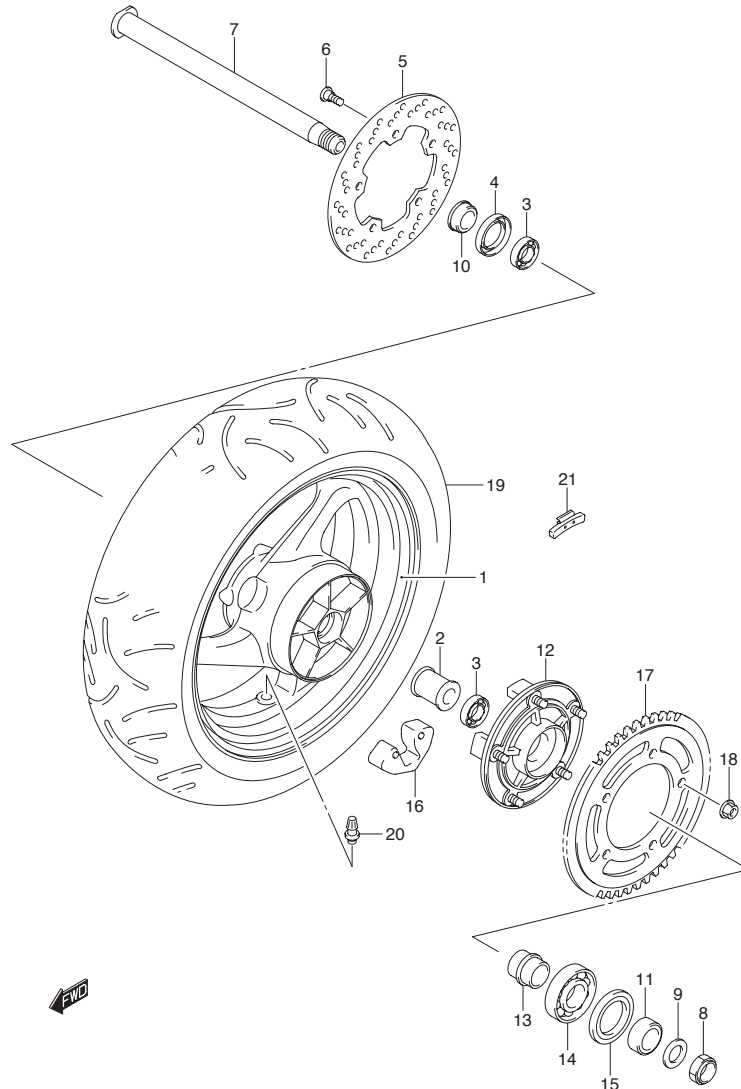


FIG.59 (1-I-6) REAR WHEEL (GSR600K6/K7)

REF NO.	PART NO.	DESCRIPTION	Q'TY	REMARKS
1-1	64111-44G00-019	WHEEL, REAR (17M/CXMT5.50) (BLACK)	1	GSR600 K6/K7
1-2	64111-44G00-YMY	WHEEL, REAR (17M/CXMT5.50) (SILVER)	1	GSR600 K7
2	64731-44G00	SPACER, HUB BEARING	1	
3	09262-25061	BEARING	2	
4	09284-37001	SEAL, RR WHEEL BEARING, R	1	
5	69211-38G00	DISC, REAR BRAKE	1	
6	09106-08160	BOLT	5	
7	64711-44G00	AXLE, REAR	1	
8	09159-22007	NUT	1	
9	09160-22081	WASHER, RR AXLE NUT	1	
10	64741-44G00	SPACER, AXLE RH	1	
11	64751-44G00	SPACER, AXLE LH	1	
12	64610-35F30	DRUM, REAR SPROCKET	1	
13	64733-44G00	RETAINER, SPROCKET DRUM	1	
14	09262-32007	BEARING (32X65X17)	1	
15	09285-39001	SEAL (39X65X7)	1	
16	64651-35F20	ABSORBER, HUB SHOCK	5	
17	64511-44G00	SPROCKET, REAR (NT:48)	1	
18	08319-31107	NUT	5	
19	65110-44G00	TIRE, REAR, 180/55 ZR17M/C (73W) (BRIDGESTONE)	1	BT014R RADIAL N
20	43130-24A00	VALVE ASSY, WHEEL RIM (TR412)	1	
21-1	55411-39G00	BALANCER, WHEEL NO.1	0~3	
21-2	55412-39G00	BALANCER, WHEEL NO.2	0~3	

REFER TO FIG.59A (1-I-7) FOR GSR600AK7/AK8/AK9
 REFER TO FIG.59B (1-I-8) FOR GSR600AL0

FIG.59A

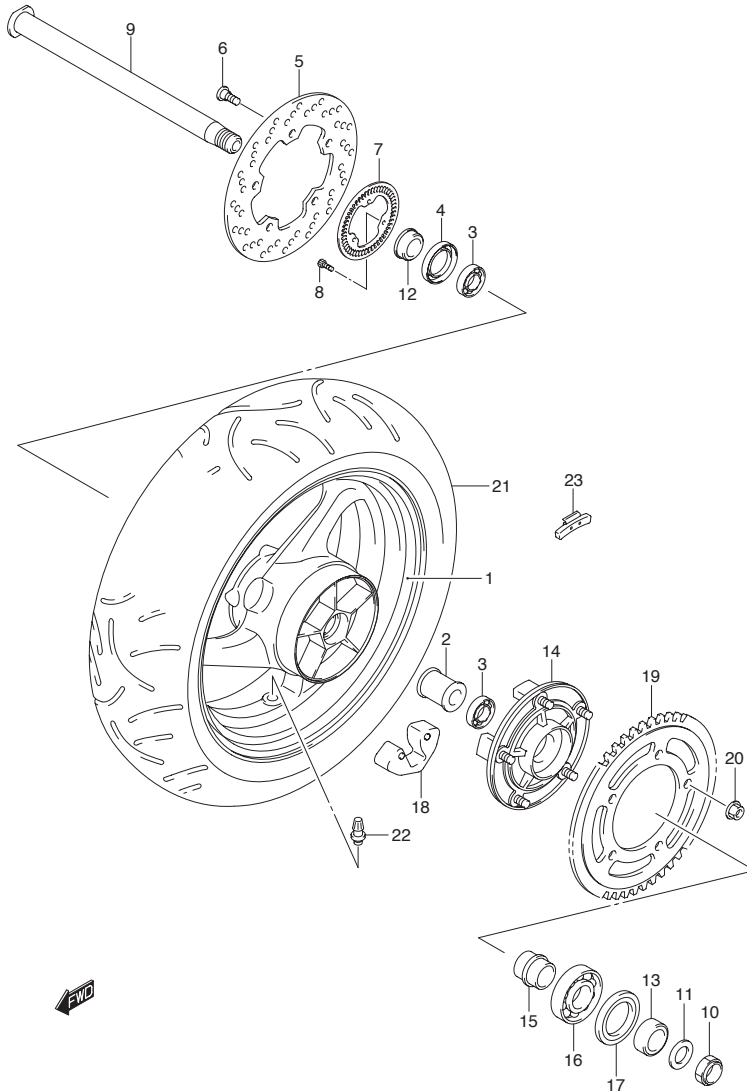


FIG.59A (1-I-7) REAR WHEEL (GSR600AK7/AK8/AK9)

REF NO.	PART NO.	DESCRIPTION	Q'TY	REMARKS
1-1	64111-44G10-YMY	WHEEL, REAR (17M/CXMT5.50) (SILVER)	1	GSR600AK7 FOR YBD
1-2	64111-44G10-019	WHEEL, REAR (17M/CXMT5.50) (BLACK)	1	GSR600AK7 FOR YKV, YD8, YBA, YHL GSR600AK8 FOR YAY, YBA, YMD, YME
1-3	64111-44G10-YSB	WHEEL, REAR (17M/CXMT5.50) (RED)	1	GSR600AK8 FOR YLF
1-4	64111-44G30-019	WHEEL, REAR (17M/CXMT5.50) (BLACK)	1	GSR600AK9
2	64731-44G00	SPACER, HUB BEARING	1	
3	09262-25061	BEARING	2	
4	09284-37001	SEAL, RR WHEEL BEARING, R	1	
5	69211-38G00	DISC, REAR BRAKE	1	
6	09106-08160	BOLT	5	
7	54162-27G00	RING, SPEED SENSOR RR	1	
8	07130-05127	BOLT	3	
9	64711-44G00	AXLE, REAR	1	
10	09159-22007	NUT	1	
11	09160-22081	WASHER, RR AXLE NUT	1	
12	64741-44G00	SPACER, AXLE RH	1	
13	64751-44G00	SPACER, AXLE LH	1	
14	64610-35F30	DRUM, REAR SPROCKET	1	
15	64733-44G00	RETAINER, SPROCKET DRUM	1	
16	09262-32007	BEARING (32X65X17)	1	
17	09285-39001	SEAL (39X65X7)	1	
18	64651-35F20	ABSORBER, HUB SHOCK	5	
19	64511-44G00	SPROCKET, REAR (NT:48)	1	
20	08319-3110A	NUT	5	
21	65110-44G00	TIRE, REAR, 180/55 ZR17M/C (73W) (BRIDGESTONE)	1	BT014R RADIAL N
22	43130-24A00	VALVE ASSY, WHEEL RIM (TR412)	1	
23-1	55411-39G00	BALANCER, WHEEL NO.1	0~3	
23-2	55412-39G00	BALANCER, WHEEL NO.2	0~3	

REFER TO FIG.59B (1-I-8) FOR GSR600AL0

FIG.59B

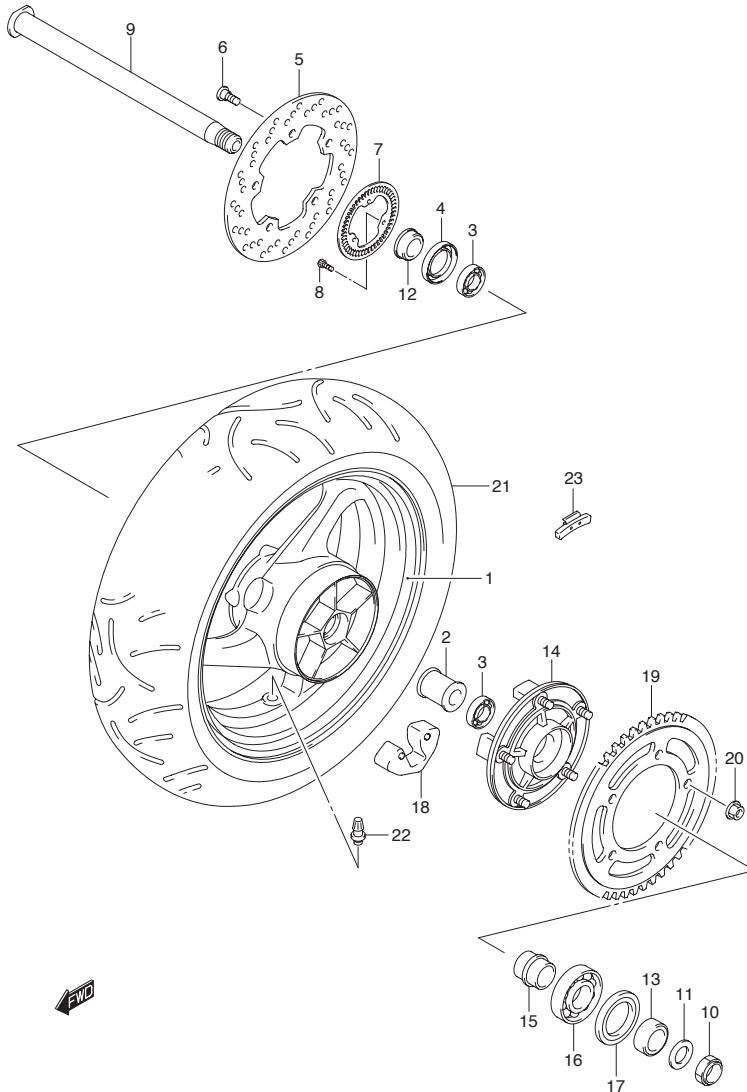


FIG.59B (1-I-8) REAR WHEEL (GSR600AL0)

REF NO.	PART NO.	DESCRIPTION	Q'TY	REMARKS
1-1	64111-44G30-019	WHEEL, REAR (17M/CXMT5.50) (BLACK)	1	FOR YAY, YLF
1-2	64111-44G30-YPU	WHEEL, REAR (17M/CXMT5.50) (GOLD)	1	FOR YPA
2	64731-44G00	SPACER, HUB BEARING	1	
3	09262-25061	BEARING	2	
4	09284-37001	SEAL, RR WHEEL BEARING, R	1	
5	69211-38G00	DISC, REAR BRAKE	1	
6	09106-08160	BOLT	5	
7	54162-27G00	RING, SPEED SENSOR RR	1	
8	07130-0512A	BOLT	3	
9	64711-44G00	AXLE, REAR	1	
10	09159-22007	NUT	1	
11	09160-22081	WASHER, RR AXLE NUT	1	
12	64741-44G00	SPACER, AXLE RH	1	
13	64751-44G00	SPACER, AXLE LH	1	
14	64610-35F30	DRUM, REAR SPROCKET	1	
15	64733-44G00	RETAINER, SPROCKET DRUM	1	
16	09262-32007	BEARING (32X65X17)	1	
17	09285-39001	SEAL (39X65X7)	1	
18	64651-35F20	ABSORBER, HUB SHOCK	5	
19	64511-44G00	SPROCKET, REAR (NT:48)	1	
20	08319-3110A	NUT	5	
21	65110-44G00	TIRE, REAR, 180/55 ZR17M/C (73W) (BRIDGESTONE)	1	BT014R RADIAL N
22	43130-24A00	VALVE ASSY, WHEEL RIM (TR412)	1	
23-1	55411-22H00	BALANCER, WHEEL NO.1	0~3	
23-2	55412-22H00	BALANCER, WHEEL NO.2	0~3	

FIG.60

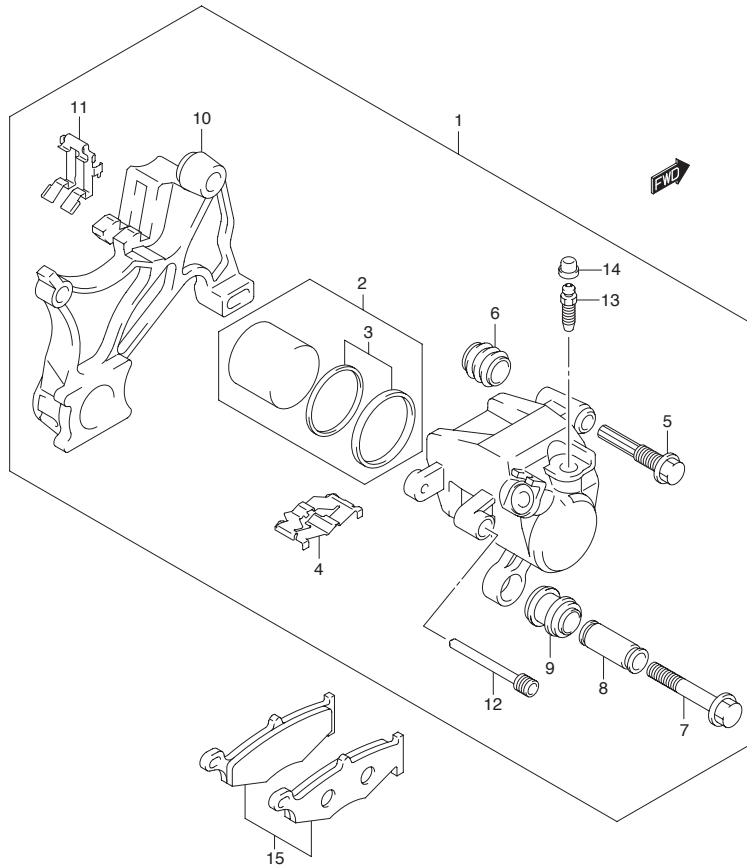


FIG.60 (1-I-9) REAR CALIPER (GSR600K6/K7)

REF NO.	PART NO.	DESCRIPTION	Q'TY	REMARKS
1	69100-44G00-999	CALIPER ASSY, REAR	1	
2	69100-44890	·PISTON SET	1	
3	69102-05880	·SEAL SET, PISTON	1	
4	69115-44G00	·SPRING, PAD	1	
5	69105-44G00	·PIN, BOLT	1	
6	59112-44B00	·BOOT, AXLE	1	
7	69182-44G00	·BOLT	1	
8	69185-44G00	·SLEEVE	1	
9	69186-44G00	·BOOT, SLEEVE	1	
10	69150-44G00	·BRACKET	1	
11	69116-44G00	·RETAINER	1	
12	59141-40F00	·PIN, PAD	1	
13	59121-18410	·BLEEDER	1	
14	55156-66310	·CAP, BLEEDER PLUG	1	
15	69101-44810	PAD SET	1	

REFER TO FIG.60A (1-I-10) FOR GSR600AK7/AK8/AK9/ALO

FIG.60A

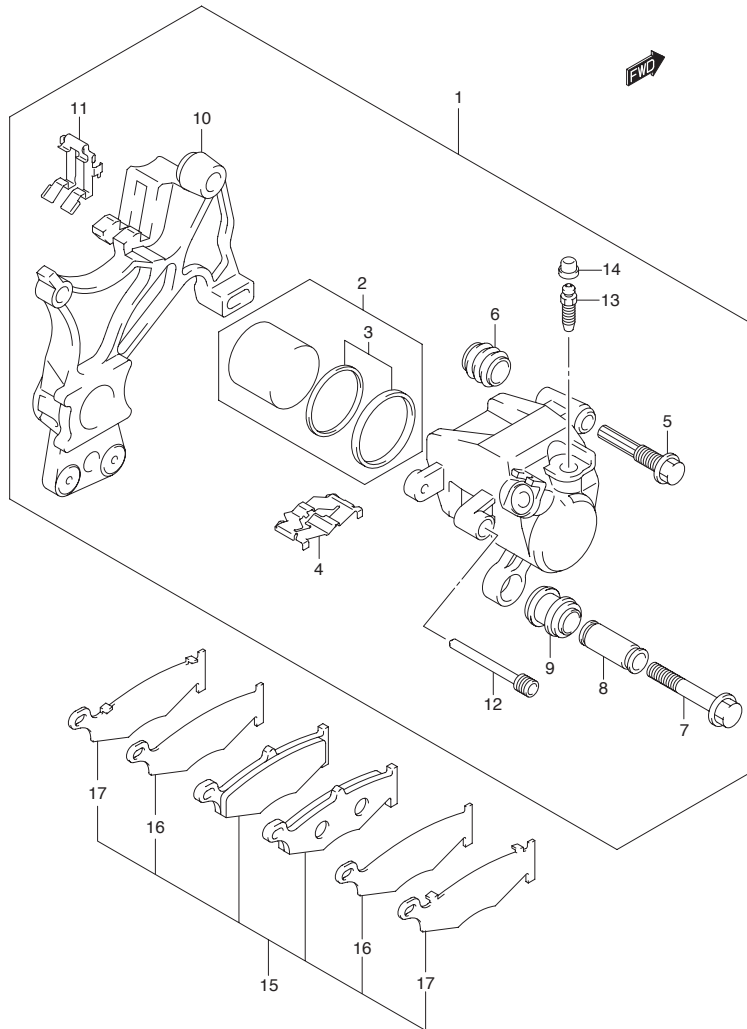


FIG.60A (1-I-10) REAR CALIPER (GSR600AK7/AK8/AK9/AL0)

REF NO.	PART NO.	DESCRIPTION	Q'TY	REMARKS
1	69100-44G10-999	CALIPER ASSY, REAR	1	
2	69100-44890	·PISTON SET	1	
3	69102-05880	··SEAL SET, PISTON	1	
4	69115-44G00	·SPRING, PAD	1	
5	69105-44G00	·PIN, BOLT	1	
6	59112-44B00	·BOOT, AXLE	1	
7	69182-44G00	·BOLT	1	
8	69185-44G00	·SLEEVE	1	
9	69186-44G00	·BOOT, SLEEVE	1	
10	69150-44G10	·BRACKET	1	
11	69116-44G00	·RETAINER	1	
12	59141-40F00	·PIN, PAD	1	
13	59121-18410	·BLEEDER	1	
14	55156-66310	·CAP, BLEEDER PLUG	1	
15	69101-44830	PAD & SHIM SET	1	
16	69132-44G10	·INSULATOR	2	
17	69133-44G00	·SHIM	2	

FIG.61

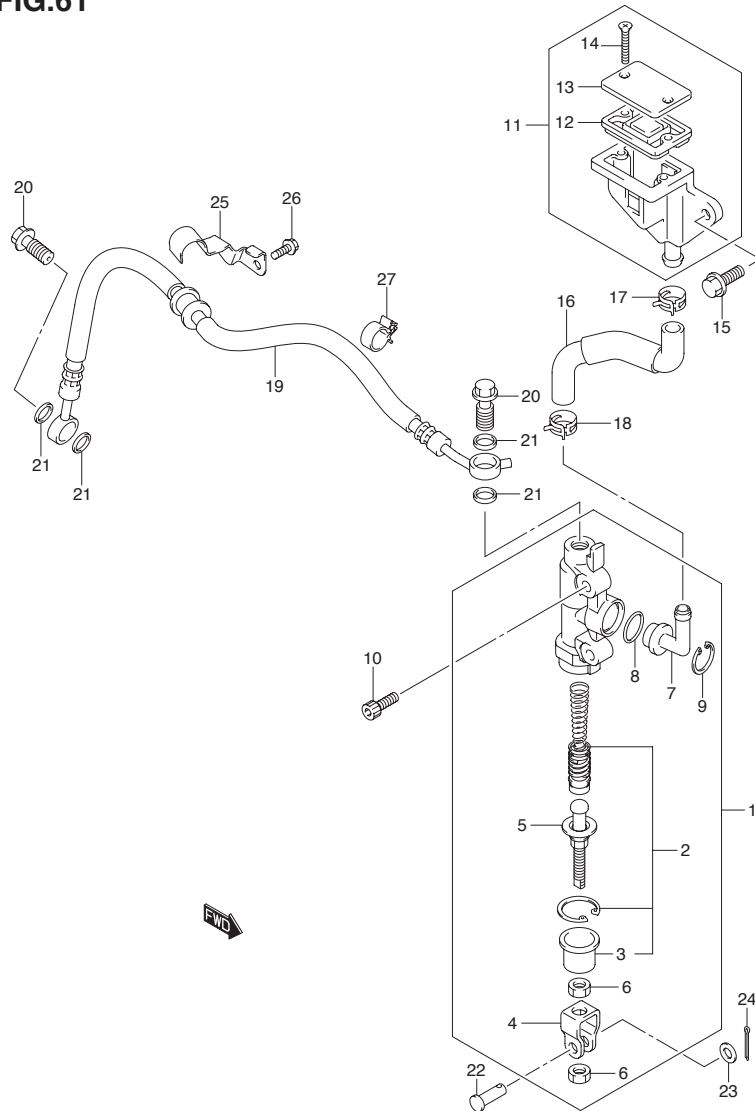


FIG.61 (1-I-11) REAR MASTER CYLINDER (GSR600K6/K7)

REF NO.	PART NO.	DESCRIPTION	Q'TY	REMARKS
1	69600-44G00	CYLINDER ASSY, REAR MASTER	1	
2	69600-34820	·PISTON / CAP SET	1	
3	69691-00A00	··BOOT	1	
4	69692-27A30	·YOKE	1	
5	69670-00B21	·ROD, PUSH	1	
6	69693-05A00	·NUT	2	
7	69672-00B20	·CONNECTOR	1	
8	69686-34200	·O RING	1	
9	69674-00B20	·CIRCLIP	1	
10	09106-06115	BOLT	2	
11	69740-01D02	TANK ASSY, REAR RESERVOIR	1	
12	59667-04700	·DIAPHRAGM	1	
13	59669-05D00	·CAP	1	
14	69689-04A00	·SCREW	2	
15	01547-0612B	BOLT	1	
16	69730-44G00	HOSE, RESERVOIR TANK	1	
17	09401-13417	CLAMP	1	UPPER
18	09401-12404	CLAMP	1	LOWER
19	69480-44G01	HOSE, REAR BRAKE	1	
20	09360-10062	BOLT (10X1.25X22)	2	
21	09161-10009	WASHER (10X15X1.5)	4	
22	09200-06068	PIN	1	
23	08322-0106A	WASHER	1	
24	04111-2015A	PIN, COTTER	1	
25	69268-44G00	CLAMP, RR BRAKE HOSE	1	
26	01547-0612B	BOLT	1	
27	09403-16412	GUIDE, RR BRAKE HOSE	1	

REFER TO FIG.61A (1-I-12) FOR GSR600AK7/AK8/AK9/AL0

FIG.61A

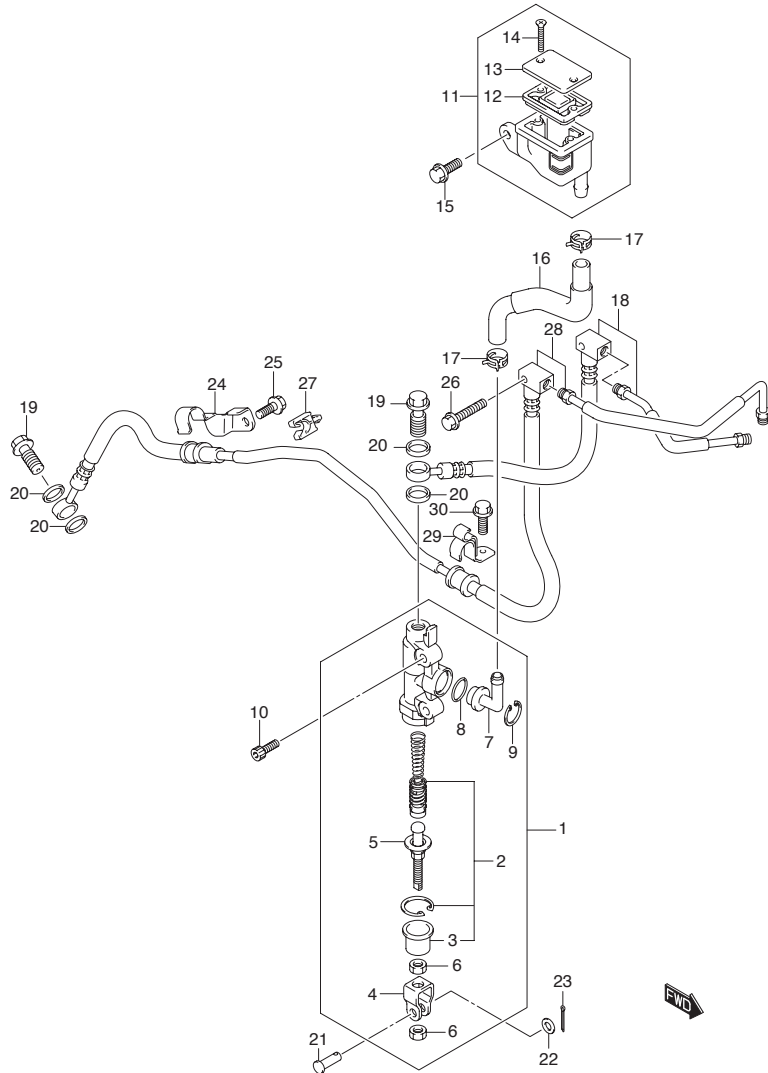


FIG.61A (1-I-12) REAR MASTER CYLINDER (GSR600AK7/AK8/AK9/AL0)

REF NO.	PART NO.	DESCRIPTION	Q'TY	REMARKS
1	69600-44G10	CYLINDER ASSY, REAR MASTER	1	
2	69600-04810	·PISTON / CAP SET	1	
3	69691-00A00	··BOOT	1	
4	69692-27A30	·YOKE	1	
5	69670-00B21	·ROD, PUSH	1	
6	69693-05A00	·NUT	2	
7	69672-00B20	·CONNECTOR	1	
8	69686-34200	·O RING	1	
9	69674-00B20	·CIRCLIP	1	
10	09106-06115	BOLT	2	
11	69740-44G00	TANK ASSY, REAR RESERVOIR	1	
12	59667-04700	·DIAPHRAGM	1	
13	59669-05D00	·CAP	1	
14	69689-04A00	·SCREW	2	
15	01547-0612A	BOLT	1	
16	69730-44G10	HOSE, RESERVOIR TANK	1	
17	09401-12404	CLAMP	2	
18	69200-44G00	HOSE, REAR BRAKE NO.1	1	
19	09360-10062	BOLT (10X1.25X22)	2	
20	09161-10009	WASHER (10X15X1.5)	4	
21	09200-06068	PIN	1	
22	08322-0106A	WASHER	1	
23	04111-2015A	PIN, COTTER	1	
24	69268-44G10	CLAMP, RR BRAKE HOSE	1	
25	01547-0612A	BOLT	1	
26	01547-0635A	BOLT	1	
27	09403-08334	CLAMP	1	
28	69400-44G00	HOSE, REAR BRAKE NO.2	1	
29	69260-44G00	CLAMP	1	
30	01550-0612A	BOLT	1	

PARTS NUMBER INDEX

5

PART NO.	FIG.NO.-REF.NO.	PART NO.	FIG.NO.-REF.NO.	PART NO.	FIG.NO.-REF.NO.	PART NO.	FIG.NO.-REF.NO.	PART NO.	FIG.NO.-REF.NO.	PART NO.	FIG.NO.-REF.NO.
10000		12151-09204	8-2	12892-05C00-130	9-13	13269-33E00	11-14	14771-42F30	14-5	15810-44G00	16-18
			8-7	12892-05C00-135	9-13	13271-44B00	11-10	14781-44G00	14-17		16A-16
		12151-39F00	7-11	12892-05C00-140	9-13	13295-29900	11-11	14781-44G10-YKV	14-17	15815-35F00	16-19
		12160-44G00	7-1	12892-05C00-145	9-13	13405-44G00	11-1		14-17		16A-17
		12163-35F00	7-2	12892-05C00-150	9-13	13420-44G00	11-5		14-17	16321-35F01	6-18
11100-44G00	3-1	12164-39F00-0A0	7-4	12892-05C00-155	9-13	13424-29G00	11-7	14781-44G10-YUS	14-17	16331-35F00	6-19
11100-44G10	3-1	12164-39F00-0B0	7-4	12892-05C00-160	9-13	13426-29G00	11-4	14791-44G00	14-18	16400-35F00	6-15
11115-11D70	3-5	12164-39F00-0C0	7-4	12892-05C00-165	9-13	13427-29G00	11-6	14791-44G10-YKV	14-18	16440-24F00	6-13
11117-29G00	3-8	12164-39F00-0D0	7-4	12892-05C00-170	9-13	13471-29G00	12-1		14-18	16461-35F00	15-4
11141-29G00	1-2	12228-17E00-0A0	4-19	12892-05C00-175	9-13	13473-44G00	12-2		14-18	16471-44G00	15-5
	3-6		7-7	12892-05C00-180	9-13	13548-42F00	11-9	14791-44G10-YUS	14-18	16491-35F00	1-12
11161-33E00	3-25	12228-17E00-0B0	4-19	12892-05C00-185	9-13	13575-29G00	11-16	14880-44G00	14-22		6-16
11171-44G00	2-1		7-7	12892-05C00-190	9-13	13580-29G00	11-15	15100-44G00	16-1	16510-03G00-X07	15-7
11173-29G00	1-3	12228-17E00-0C0	4-19	12892-05C00-195	9-13	13601-29G00	12-4	15100-44G10	16A-1	16510-07J00	15-7
	2-2		7-7	12892-05C00-200	9-13	13602-29G00	12-5	15111-27G00	16A-2	16520-44G00	6-10
11178-29G00	1-4	12228-17E00-0D0	4-18	12892-05C00-205	9-13	13605-02F00	11-17	15111-35F00	16-2	16591-06B01	4-17
	2-3		4-19	12892-05C00-210	9-13	13606-47A00	11-12	15112-05H00	16A-3	16600-29G00	15-1
11179-81402	3-12		7-6	12892-05C00-215	9-13	13650-10G00	3-23	15112-42F00	16-3	17400-35F10	17-1
11191-13E00	3-26		7-7	12892-05C00-220	9-13	13650-61B00	13-20	15113-05H00	16A-4	17418-33400	17-7
11191-27E00	1-13	12228-17E00-0E0	4-19	12892-05C00-225	9-13	13681-39F00-225	12-9	15113-35F00	16-4	17432-07G00	17-11
	2-5		7-7	12892-05C00-230	9-13		12-10		16A-5	17435-33400	17-8
11281-44G00	6-25	12228-17E00-0F0	4-19	12892-05C00-235	9-13		12-11	15114-27G00	16A-6	17461-48G00	17-5
11302-44821	4-1		7-7	12892-05C00-240	9-13		12-12	15114-35F00	16-5	17470-02F10	17-4
11302-44830	4-1	12229-29G00-0A0	7-8	12892-05C00-245	9-13		12-13	15115-27G00	16A-7	17491-17E01	17-2
11319-33E50	4-2	12229-29G00-0B0	7-8	12892-05C00-250	9-13		12-14	15115-35F00	16-6	17568-50F00	19-12
11340-44G00	5-1	12229-29G00-0C0	7-8	12892-05C00-255	9-13	13685-02FA0	12-15	15116-06G10	16-7	17661-35F00	19-6
11342-41G10	5-3	12229-29G00-0D0	7-8	12892-05C00-260	9-13	13700-44G01	13-1	15116-10F00	16A-8	17670-76G00	19-7
11351-18G20	5-27	12600-40831	8-9	12892-05C00-265	9-13	13700-44G11	13-1	15116-35F10	16-8	17710-44G00	18-1
11361-44G00	5-33	12611-40F00	8-1	12892-05C00-270	9-13	13741-44GA0	13-4	15119-23H00	16A-9	17710-44G10	18-1
11370-44G00	4-29	12612-40F00	8-6	12892-05C00-275	9-13	13741-44G00	13-4	15171-35F00	16-9	17711-40F00	18-14
11381-35F10	5-12	12710-44G00	9-1	12892-05C00-280	9-13	13746-44G00	13-5	15172-35F00	16-10	17712-40F00	18-15
11382-33E10	5-20	12720-44G00	9-2	12892-05C00-290	9-13	13756-44G00	13-3	15173-35F00	16-11	17730-12C20	19-20
11390-35F00	4-20	12731-29G00	7-13	12892-05C00-300	9-13	13780-44G00	13-2	15181-44G00	16-12	17750-44G00	18-6
11402-44832	1-1	12760-39F00	10-1	12893-29G00	9-4	13788-44G00	13-12	15181-44G10	16A-10	17761-44G00	18-8
11482-40F00	1-5	12771-29G00	10-2	12893-44G00	9-4	13789-44G00	13-13	15201-35F00	1-11	17762-44G00	18-9
	5-5	12782-29G00	10-3	12911-44G00	9-5	13831-35F00	13-14		16-16	17771-44G01	18-10
11483-18G00	1-6	12800-05830	9-14	12911-44G10	9-5	13853-44G01	13-15		16A-14	17771-44G10	18-10
	5-28	12811-44G00	10-4	12912-44G00	9-6	13859-41B10	13-10	15410-41G00	16-13	17781-44G00	18-11
11491-33E02	1-7	12812-26B02	10-5	12912-44G10	9-6	13881-44G00	13-6	15420-05H00	16A-11	17790-44G00	19-21
	5-13	12813-30G00	10-6	12921-29G00	9-7	13882-44G00	13-7	15420-44G00	16-14	17791-24D00	19-19
11492-33E00	1-8	12830-44G00	10-7	12922-29G00	9-8	13891-44G00	13-9	15610-27G00	16A-12	17800-44G00	18-13
	5-21	12831-39F00	10-8	12931-35F10	9-9	14100-44G00	14-1	15625-29G00	13-19	17800-44G10	18-13
11511-44G00	6-1	12833-05A00	10-9	12932-05C00	9-11	14181-46E00	1-10		13-23	17851-44G00	19-1
11512-44G00	6-8	12837-18G00	1-9	12933-35F10	9-10		14-2	15630-29G10	13-18	17852-44G00	19-3
11971-25D00	5-10		10-11	13101-29G00	3-17	14200-44G00	14-4		13-22	17853-29G00	19-4
11971-33210	5-2	12837-24F10	10-10	13170-29G02	3-19	14200-44G30	14-4	15710-44G00	12-6	17854-35F00	19-15
12000-29810	7-5	12891-29G00	9-3	13267-20E20	11-2	14310-44G00	14-10	15710-44G20	12-6	17855-44G00	19-23
12111-44G00-0F0	7-9	12891-44G00	9-3	13268-05A40	11-3	14459-42F10	14-11	15717-16G00	12-7	17855-44G10	19-23
12140-29G10	7-10	12892-05C00-120	9-13	13268-48700	11-13	14770-44G00	14-26	15721-29G00	12-3	17858-44G00	5-36
12140-29G20	7-10	12892-05C00-125	9-13	13268-89J00	11-8	14771-42F10	14-12	15722-29G00	12-8	17859-44G00	19-2

PART NO.	FIG.NO.-REF.NO.	PART NO.	FIG.NO.-REF.NO.	PART NO.	FIG.NO.-REF.NO.
17861-33E20	19-9	24262-35F00	22-7	31132-33E00	24A-3
17863-33E00	19-10	24311-39F20	22-19	31135-31300	24-4
17900-44810	19-30	24321-39F20	22-20		24A-4
17910-44G00	19-25	24322-35F00	22-21	31143-49040	24-5
17920-44G00	19-28	24331-39F00	22-22		24A-5
17931-02FA0	19-26	24332-35F00	22-23	31156-13E00	24-10
18213-01H00	14-28		22-24		24A-10
18213-16G00	14-28	24333-02F00	22-25	31170-19B10	24-7
18214-75F00	35-8	24341-39F20	22-26		24A-7
	35A-8	24351-39F00	22-27	31264-13E00	24-6
18450-35F20	35B-8	24361-39F00	22-28		24A-6
18461-44G00	20-1	25211-35F11	23-1	31280-13E00	24-9
18471-44G00	20-6	25231-35F11	23-2		24A-9
18510-29G00	20-7	25310-35F00	23-6	31401-29G00	25-2
	20-4	25312-42F01	23-8	31401-29G20	25-2
18510-29G30	20-4	25350-35F00	23-13	31402-29G00	25-1
18610-44G00	20-2	25355-44G00	23-14	31402-29G20	25-1
18711-44G00	20-5	25381-13E00	23-9	31800-44G00	28-1
		25411-26D01	23-3	31861-38G00	28-3
		25411-35F00	23-4	32160-02F10	26-1
20000		25451-35F00	23-5	32161-02F00	26-2
		25510-44G00	23-17	32371-33E00	25-3
		25512-06G10	23-18	32800-44G01	28-5
		25520-40F00	23-27	32831-44G10	28-6
		25525-11C00	23-29	32831-44G20	28-7
21200-39820	21-1	25525-26B10	23-29	32920-44GA0	28-15
21410-44G00	21-4	25526-47000	23-28	32920-44G00	28-15
21412-35F00	21-5		23-31	33110-35F00	26-3
21413-35F10	21-6	25600-17G00	23-30	33115-33E00	26-4
21441-31E60	21-8	25617-03F10	23-33	33410-29G00	28-13
21441-31E70	21-7	25652-20C00	23-32	33410-37H00	28-14
21442-31E21	21-9	25671-35F00	23-19	33610-33E20	27-1
21451-31E30	21-10	27510-20A10	22-41	33624-43500	27-6
21462-35F00	21-11	27531-44G00	22-42		27-8
21471-31E20	21-12	27600-06G30-114	22-43	33652-07D00	28-16
21472-31E01	21-13	27620-06G00	22-44	33652-16G00	27-2
23110-27A00	21-18			33652-20C00	40-3
23111-05A01	21-19			33652-21G10	39B-20
23121-41G00	21-20				39C-20
23122-41G00	21-21			33652-44G00	32-5
23123-41G00	21-22			33810-44G00	27-4
23125-44G00	21-23			33820-44G00	27-5
23271-41G10	21-24	30000		33820-44G20	27-7
24120-35F00	22-1			33960-06G10	28-17
24131-35F11	22-18			33961-41F00	28-18
24221-39F20	22-2	31100-35F00	24-1	34120-44G00	29-1
24231-39F20	22-3	31100-44G00	24A-1	34120-44G20	29A-1
24251-39F00	22-4	31130-13E00	24-2	34120-44G60	29B-1
24252-35F00	22-5		24A-2	34124-44G00	29-4
24261-39F00	22-6	31132-33E00	24-3		29A-4

PART NO.	FIG.NO.-REF.NO.	PART NO.	FIG.NO.-REF.NO.	PART NO.	FIG.NO.-REF.NO.
34124-44G00	29B-4	35618-44G00	31-3	37822-33D00	6-24
34126-44G00	29-3	35652-44G00	31-8	37840-25D00	33A-23
	29A-3	35655-44G00	31-14	37840-35F00	33-22
34146-44G00	29B-3	35657-44G00	31-10	38500-44G00	33-24
	29-8	35672-44G00	31-9		33A-25
	29A-8	35677-44G00	31-11	38610-12FA0	31-16
34149-16B00	29B-8	35710-44G00-YD8	32-1	38740-24X50	33-26
	29-12	35710-44G00-YKV	32-1		33-27
	29A-10		32-2		33A-27
	29B-10	35710-44G00-YUS	32-1		33A-28
34149-18G00	29-13	35711-44G00-YD8	32-2		
	29A-14	35782-44G00	32-4	40000	
34150-44G00	29B-14	35783-44G00	32-6		
	29-2	35784-44G00	32-7		
	29A-2	35910-16G60	32-10		
34152-44G00	29B-2	35912-16G00	32-11	41100-44G20-YAP	35-1
	29-6	35913-16G00	32-12		35-1
	29A-6	35917-16G00	32-13		35A-1
34153-44G00	29B-6	35950-14A00	30-9		35B-1
	29-9	35950-14A10	30-9		35B-1
34156-44G00	29A-9	35970-07F01	32-19	41100-44G20-YD8	35B-1
	29B-9	36118-44G00	30-4		35-1
	29-5	36610-44G10	33-1		35-1
	29A-5	36610-44G20	33A-1		35-1
	29B-5	36618-43410	33-10		35A-1
34167-13E00	29A-13	36619-44G00	33A-11	41100-44G20-YUS	35B-1
	29B-13		29-14	41147-44G00	35-2
34175-44G00	29-7		29A-15		35A-2
34175-44G20	29A-7	36654-23H00	29B-15		35B-2
	29B-7		33A-4	41148-44G00	35-18
34183-29F00	29-10	36851-44G00	33-9	41149-44G00	35-14
	29A-11		33A-10	41200-44G00	35-3
	29B-11	37000-44850	33-12	41200-44G11	35-3
34810-41G00	16-15		33A-13	41200-44G20	35A-3
34810-44G10	16A-13	37100-44G00	33-13		35B-3
34955-44G00	29-11		33A-14	41730-44G00	35-11
	29A-12	37146-41G00	33-28	41740-44G00	35-12
	29B-12		33A-29	41750-44G00	35-6
34981-38G01	29-16	37180-44G00	33-14	41750-44G20	35B-6
	29A-17		33A-15	41750-44G30	35A-6
34990-35F00	29B-17	37183-42F00	33-15		35B-6
	29-17		33A-16	41770-44G00	35-16
	29A-18	37187-44G00	33-16	41780-44G00	35-17
	29B-18		33A-17	41921-35F00	35-9
35100-44G01-999	30-1	37200-44G30	34-1		35A-9
35125-77A00	30-3				
35601-44G00	31-1	37400-44G11	34-3	41922-18G00	35B-9
35602-44G00	31-2	37730-41G01	23-40		35-10
35603-44G01	31-6	37740-45D00	33-20		35A-10
35604-44G01	31-7		33A-21		35B-10
		37820-33D10	6-23	42310-44G00	36-1

PART NO.	FIG.NO.-REF.NO.	PART NO.	FIG.NO.-REF.NO.	PART NO.	FIG.NO.-REF.NO.	PART NO.	FIG.NO.-REF.NO.	PART NO.	FIG.NO.-REF.NO.	PART NO.	FIG.NO.-REF.NO.
42310-44G10	36-1	44100-44G00-YLF	38A-1	44277-44G00	39C-15	44541-44G00	38-9	45215-26F00	49-5	50000	
42330-44G01	36-6		38C-1	44278-44G00	39-16		38A-9	45220-47H00	49-8		
43111-44G00	36-8	44100-44G00-YMD	38A-1		39A-16	44542-18G00	38B-9	45280-17E00	49-10		
43130-24A00	53-10	44100-44G00-YME	38A-1		39B-16		38C-9	45288-14F00	49-11		
	53A-11	44100-44G00-YPA	38B-1		39C-16		38-13	45289-11F00	49-12		
	53B-11		38C-1	44281-44G00	39-13		38A-13	45501-44G00-YAY	50B-1	51103-44G00	51-1
	59-20	44100-44G00-YSF	38B-1		39A-13		38B-13		50C-1	51103-44G10	51-1
	59A-22	44160-44G00	39-3		39B-13	44543-47H00	38C-12	45501-44G00-YBA	50A-1		51A-1
	59B-22		39A-3		39C-13		38-16	45501-44G00-YD8	50A-1	51103-44G40	51A-1
43510-44G30	37-11		39B-3	44423-44G00	38-22		38A-16	45501-44G00-YHG	50-1	51104-44G00	51-2
43511-44G00	37-1		39C-3	44423-44G10	38-24	44550-44G00	38B-16	45501-44G00-YHH	50-1	51104-44G10	51-2
43511-44G10	37-1	44171-44G00-YAP	39B-1	44423-44G21	38-22		38-15	45501-44G00-YHL	50A-1		51A-2
43521-44G00	37-2		39C-1		38A-22		38A-15	45501-44G00-YKZ	50-1	51104-44G40	51A-2
43521-44G10	37-2	44171-44G00-YD8	39-1		38B-22		38B-15	45501-44G00-YLF	50B-1	51110-44G00	51-11
43521-44G30	37-12	44171-44G00-YHG	39B-1		38C-21		38C-14	45501-44G00-YMD	50B-1		51A-11
43534-44G00	37-23	44171-44G00-YKV	39-1	44423-44G30	38-24	44560-44G00	39-10	45501-44G00-YME	50B-1	51117-14200	51-23
43536-44G00	37-4		39A-1		38A-24		39A-10	45501-44G00-YPA	50C-1		51A-23
43550-44G00	37-3	44171-44G00-YLF	39C-1		38B-24		39B-10	45501-44G00-4HX	50B-1	51121-44G00	51-10
	37-22	44171-44G00-YMD	39A-1		38C-23	44561-18G00	39C-10	45501-44G00-5AX	50C-1		51A-10
43550-44G20	37-3		39B-1	44424-44G00	38-25		38-20	45501-44G00-5JX	50C-1	51130-44G00	51-3
43561-44G00	36-14	44171-44G00-YPA	39C-1	44424-44G11	38A-27		38A-20	45501-44G10-YKV	50-4		51A-3
43576-48B02	37-7	44171-44G00-YUS	39B-1		38B-27		38B-20		50A-4	51130-44G30	51A-3
43584-44G00	35B-11	44181-44G00-YAP	39B-2		38C-26	44564-44G00	38C-19	45501-44G20-YAY	50A-7	51140-44G00	51-4
43585-44G10	35-4		39C-2	44424-44G20	38A-31		39-8	45501-44G30-YAY	50D-1		51A-4
43585-44G20	35-4	44181-44G00-YD8	39-2		38B-31		39A-8	45501-44G30-4CX	50D-1	51140-44G30	51A-4
43591-44G00	37-14	44181-44G00-YHG	39B-2		38C-30		39B-8	46211-44G00-YAY	50B-11	51146-44G00	51-12
43593-44G00	37-16	44181-44G00-YKV	39-2	44425-09E00	38A-28		39C-8		50C-11		51A-12
43594-44G00	37-15		39A-2		38B-28		38-7		50D-11	51147-16510	51-16
43595-44G00	37-18	44181-44G00-YLF	39C-2		38C-27		38-11	46211-44G00-YBA	50B-11		51A-16
43611-44G00	37-20	44181-44G00-YMD	39A-2	44511-16G00	39-5		38A-7	46211-44G00-YD8	50-14	51148-41310	51-17
43621-44G00	37-21		39B-2		39A-5		38A-11		50A-17		51A-17
43810-44G00	37-11	44181-44G00-YPA	39C-2		39B-5		38B-7	46211-44G00-YHG	50C-11	51153-44G00	51-7
43810-44G10	37-11	44181-44G00-YUS	39B-2		39C-5		38B-11	46211-44G00-YLF	50B-11		51A-7
43816-01H20	37-29	44191-44G00-YAP	39B-17	44512-16G00	39-6		38C-7	46211-44G00-YMD	50B-11	51156-14200	51-8
43816-44G00	37-29		39C-17		39A-6		38C-10	46211-44G00-YME	50B-11		51A-8
43821-44G00	37-12	44191-44G00-YKV	39-17		39B-6		44572-13G00	46211-44G00-YPA	50C-11	51158-14200	51-6
43821-44G10	37-12		39A-17		39C-6	44572-44G00	39-7	46211-44G00-YSF	50C-11		51A-6
44100-44G00-YAY	38A-1	44191-44G00-YPA	39B-17	44521-44G00	38-5		39A-7	46290-44G01	50-16	51166-24F60	51A-24
	38B-1	44191-44G00-YSF	39B-17		38A-5		39B-7		50A-19	51166-26F00	52-6
	38C-1	44200-16850	38-3		38B-5		39C-7		50B-13	51167-44G00	51-5
44100-44G00-YBA	38-1		38A-3		38C-5	44574-16G00	38-14		50C-13		51A-5
	38A-1		38B-3	44522-44G00	45-20		38A-14		50D-13	51171-44G00	51-18
44100-44G00-YBD	38-1		38C-3	44530-41G00	38-18		38B-14	47111-44G00-291	40-1		51A-18
44100-44G00-YD8	38-1	44271-44G00	39-12		38A-18		38C-13	47211-44G00-291	40-2	51172-32E00	51-19
44100-44G00-YHG	38-1		39A-12		38B-18		49-1	47411-44G01	41-1		51A-19
44100-44G00-YHH	38B-1		39B-12		38C-17	445100-44G01-ECU	49-1	47435-44G00	41-5	51173-02FA0	51-9
44100-44G00-YHL	38-1	44277-44G00	39C-12	44541-35F00	38-12	445100-44G01-FNC	49-1				51A-9
44100-44G00-YKV	38-1		39-15		38A-12	45147-12FA0	49-3			51176-44G00	51-20
44100-44G00-YKZ	38-1		39A-15		38B-12	45149-44G00	49-2				51A-20
			39B-15		38C-11	45213-13601	49-7			51177-44G00	51-14

PART NO.	FIG.NO.-REF.NO.	PART NO.	FIG.NO.-REF.NO.	PART NO.	FIG.NO.-REF.NO.
51177-44G00	51A-14	51815-44G00	43-2	53111-44G10-YPA	44C-1
51192-44G00	51-21	51815-44G10-YD8	43-2	53145-44G00	43B-12
	51A-21	51815-44G10-YHG	43B-2		43C-12
51195-33D10	51-15	51815-44G10-YKV	43-2	54111-44G00-YMY	53-1
	51A-15		43A-2	54111-44G00-019	53-1
51196-44G00	51-13		43B-2	54111-44G10-YMY	53A-1
	51A-13		43C-2	54111-44G10-YPU	53B-1
51201-16G00	51-25	51815-44G10-YLF	43A-2	54111-44G10-YSB	53A-1
	51A-25		43C-2	54111-44G10-019	53A-1
51311-44G00	52-5	51815-44G10-YMD	43A-2		53B-1
51311-44G30	52A-5	51815-44G10-YPA	43B-2	54162-27G00	53A-6
51328-31FA0	52A-5	51815-44G10-YSF	43B-2		53B-6
51328-41G00	51-24	51816-44G10	43A-11		59A-7
	52-10		43B-11		59B-7
51328-44G00	52-4		43C-11	54711-44G00	53-5
51328-44G10	52A-10	51831-21D00	43-6		53A-5
51351-44G00	52A-6		43A-6	54731-44G00	53B-5
	51-22		43B-6		53-2
	51A-22	51850-44G01	43C-6		53A-2
51353-16G00	52-8		43-3		53B-2
51356-27C00	52A-8	51850-44G10	43A-3	54751-44G00	53-6
	52-7		43B-3	55110-44G00	53-9
	52A-7		43C-3		53A-10
51410-44G01	52-1	51860-44G10	43A-15		53B-10
	52A-1		43B-16	55156-66310	54-9
51410-44G30	52A-1		43C-16		54A-9
51434-44G00	52A-4	51861-21D00	38-21		60-14
51631-33E00	52-15		38A-21		60A-14
	52A-15		38B-21	55411-22H00	53B-12
51641-33E00	52-14		38C-20		59B-23
51643-44G00	52A-14	51870-44G10	43A-16	55411-39G00	53-11
	52-13		43B-17		53A-12
	52A-13		43C-17		59-21
51644-12C00	52-2	53111-44G00-YGS	44-1		59A-23
	52-12	53111-44G00	44-1	55412-22H00	53B-12
51814-44G00	52A-2		44A-1		59B-23
	52A-12		44B-1	55412-39G00	53-11
51814-44G10-YD8	43-1		44C-1		53A-12
	43-1	53111-44G10-YBA	44B-1		59-21
51814-44G10-YHG	43B-1	53111-44G10-YBD	44-1		59A-23
51814-44G10-YKV	43-1		44A-1	55610-44G00	53C-1
	43A-1	53111-44G10-YHG	44C-1	55660-44G00	53C-2
	43B-1	53111-44G10-YKV	44-1	55710-44G00	53C-8
	43C-1		44-1	55720-44G00	53C-9
51814-44G10-YLF	43A-1		44A-1	56111-44G00	45-1
51814-44G10-YMD	43C-1		44B-1	56200-44813	45-2
51814-44G10-YPA	43A-1	53111-44G10-YLF	44B-1	56211-44G00	52-9
51814-44G10-YSF	43B-1		44C-1		52A-9
51815-44G00	43-2	53111-44G10-YMD	44C-1	56211-44G30	52A-9
		53111-44G10-YME	44B-1	56272-10G00	45-5

PART NO.	FIG.NO.-REF.NO.	PART NO.	FIG.NO.-REF.NO.	PART NO.	FIG.NO.-REF.NO.
56273-10G10	45-6	59152-35F00	54-6		
56500-38G11	45-8		54A-6		
56500-38G30	45-8	59153-22D00	54-7		
56500-44G01	45-8		54A-7		
56600-38G11	45-9	59200-44G00	55A-1		
			55A-7		
			54A-7		
			55A-1		
56600-38G30	45-9	59200-44G10	55A-1	61000-44G02-YAP	57-1
56600-44G01	45-9	59210-44G11	53-7	61000-44G02-YD8	57-1
57110-29G01-291	46-1		53A-8	61000-44G02-YUS	57-1
57211-22D01-291	46-7		53B-8	61124-44G00	57-5
57300-10G20	46-2	59210-44G21	53A-8	61211-41G00	57-8
57300-10G30	46-2				
57300-44G00	46-2	59240-44G01	55-6	61214-42E00	57-10
57431-14G00	46-3	59240-44G10	55A-2	61251-41G00	57-7
57431-17H00	46-3	59253-44G00	55A-3	61273-44G00	57-11
57431-45C01	46-10	59253-44G10	55A-3	61281-44G00	57-4
		59261-44G00	55-7	61311-41G01	57-13
57441-45C00	46-12	59261-44G10	55A-4	61445-44G00	57-16
57442-45C00	46-13	59268-44G00	55-8	61446-44G00	57-17
57460-17C11	46-5	59268-44G10	55A-5	61544-94500	40-5
57465-17C00	46-6	59300-34811	54A-2	62100-44G00	58-18
57500-25D00	46-8	59300-34821	54A-3	62311-28E00	58-21
57560-05A00	46-15	59300-35F50-999	54-1	62600-44870	58-1
57621-40F00	46-9	59300-35F60-999	54A-1	62600-44890	58-1
57661-33E00	46-17	59400-44G00	55A-6	62621-23H00	58-10
58200-44G00	45-10	59400-44G10	55A-6		58-16
58300-44G00	45-13	59460-44G00	55A-15	62621-44G00	58-10
58300-44G10	45-14	59469-44G00	55A-17		58-16
58620-44G00	45-18	59480-44G01	55-5	62626-33D00	58-9
58620-44G11	45-11	59600-10G10	56A-1		58-15
58622-44GA0	45-16	59600-42F00	56-1	62640-44G00	58-14
58623-44G00	45-19	59600-45850	56A-2	62641-44G00	58-13
59100-35F50-999	54-1	59600-45860	56-2	62646-28E00	58-5
59100-35F60-999	54A-1	59664-32F00	56-10	62658-44G00	58-7
59100-35820	54-3		56A-10	62682-28E00	58-6
59100-35870	54-2	59666-44300	56-3	62684-40A10	58-12
59100-35880	54-10		56A-3	63111-44G00	47-1
		59667-04700	61-12	63112-44G00	47-12
	54A-10		61A-12	63113-44G00	47-18
59112-44B00	60-6	59667-49460	56-4	63121-44G01	47-14
	60A-6		56A-4	63131-44G00	47-16
59121-18410	54-8	59668-41C00	56-5	63132-44G00	47-17
	54A-8				
	60-13		56A-5	63161-43E00	47-2
	60A-13	59669-05D00	61-13		47-13
59141-40F00	54-4		61A-13	63261-44G00	47-3
	54A-4	59669-10G00	56-6	64111-44G00-YMY	59-1
	60-12		56A-6	64111-44G00-019	59-1
	60A-12	59671-32F00	56-8	64111-44G10-YMY	59A-1
59145-18G00	54-5		56A-8	64111-44G10-YSB	59A-1
	54A-5	59675-02FA0	56-9	64111-44G10-019	59A-1
59151-35F00	54-6		56A-9	64111-44G30-YPU	59B-1
	54A-6			64111-44G30-019	59A-1

PART NO.	FIG.NO.-REF.NO.	PART NO.	FIG.NO.-REF.NO.	PART NO.	FIG.NO.-REF.NO.
64111-44G30-019	59B-1	68161-44G00-DWT	50A-2	69182-44G00	60-7
64511-44G00	59-17	68161-44G00-DWU	50A-2	69185-44G00	60A-7
	59A-19	68161-44G00-FRC	50B-2		60-8
	59B-19		50C-2		60A-8
64610-35F30	59-12	68161-44G00-FRD	50B-2	69186-44G00	60-9
	59A-14	68161-44G00-FRE	50B-2		60A-9
	59B-14	68161-44G00-FRF	50B-2	69200-44G00	61A-18
64651-35F20	59-16	68161-44G00-FRG	50B-2	69211-38G00	59-5
	59A-18	68161-44G00-HAB	50C-2		59A-5
	59B-18	68161-44G00-HAC	50C-2		59B-5
64711-44G00	59-7	68161-44G00-HAD	50C-2	69260-44G00	61A-29
	59A-9	68161-44G10-CZW	50A-8	69268-44G00	61-25
	59B-9	68161-44G20-YHG	50D-2	69268-44G10	61A-24
64731-44G00	59-2	68161-44G20-YPA	50D-2	69400-44G00	61A-28
	59A-2	68241-04X50-300	38A-10	69480-44G01	61-19
64733-44G00	59B-2	68281-24F10-019	38B-10	69600-04810	61A-2
	59-13		50A-3	69600-34820	61-2
	59A-15		50B-3	69600-44G00	61-1
64741-44G00	59B-15	68281-35F00	50C-3	69600-44G10	61A-1
	59-10		39-14	69670-00B21	61-5
64751-44G00	59A-12		39A-14	69672-00B20	61A-5
	59B-12		39B-14		61-7
	59-11		39C-14	69674-00B20	61A-7
	59A-13	68319-29F00	48-1		61-9
	59B-13	68332-44G00	48-2		61A-9
65110-44G00	59-19	68641-19F00-YD8	50-3	69686-34200	61-8
	59A-21		50A-3		61A-8
	59B-21		50B-3	69689-04A00	61-14
65710-44G00	53C-11	68641-19F00-17U	50A-9		61A-14
65731-44G00	53C-13		50B-3	69689-49300	56-7
68111-18G20	38-2		50C-3	69691-00A00	56A-7
	38A-2		50D-3		61-3
	38B-2	69100-44G00-999	60-1		61A-3
	38C-2	69100-44G10-999	60A-1	69692-27A30	61-4
68151-44G00-YAD	44A-2	69100-44890	60-2		61A-4
	44B-2		60A-2	69693-05A00	61-6
	44C-2	69101-44810	60-15		61A-6
68151-44G00-1ZY	44A-2	69101-44830	60A-15	69730-44G00	61-16
	44B-2	69102-05880	60-3	69730-44G10	61A-16
	44C-2		60A-3	69740-01D02	61-11
68151-44G10-DUJ	44A-2	69105-44G00	60-5	69740-44G00	61A-11
	44B-2		60A-5		
68161-44GA0-CTY	50-6	69115-44G00	60-4		
	50A-6		60A-4		
68161-44G00-DHG	50-2	69116-44G00	60-11		
68161-44G00-DHH	50-5		60A-11		
	50A-5	69132-44G10	60A-16		
68161-44G00-DHJ	50-2	69133-44G00	60A-17		
68161-44G00-DHK	50-2	69150-44G00	60-10		
68161-44G00-DWS	50A-2	69150-44G10	60A-10		

80000

PART NO.	FIG.NO.-REF.NO.	PART NO.	FIG.NO.-REF.NO.	PART NO.	FIG.NO.-REF.NO.
82712-72J00	5-37	01547-0635A	61A-26	01550-0825B	38-6
86932-73060	48-3	01547-0640A	4-8		38A-6
			4-11	01550-0830A	53C-14
			28-6A	01550-0845A	39B-11
		01547-0660A	4-12		39C-11
		01547-0670A	4-13	01550-0845B	39-11
		01547-0680A	4-6		39A-11
90000		01550-0510A	33A-20	01550-0875A	53C-6
		01550-0510B	33-19	01551-0835A	50-15
		01550-0612A	18-7		50A-18
94426-08A10	38-10		19-22		50C-12
94471-44G00-291	42-1		19-29		50D-12
94510-44G01	42-2		33A-9	01551-0835B	50B-12
94533-33E01	42-5		33A-26	02112-0510B	26-5
95700-14810	49-13		41-4		26-6
99000-69491	9-15		42-6	02112-0525B	34-4
99011-44G50-01A	48-4		43B-18	02112-0530B	34-2
99011-44G51-01A	48-4		43C-18	02112-0545B	34-5
99011-44G60-01A	48-4		61A-30	02112-0616B	17-6
99011-44G61-01A	48-4	01550-0612B	29-15	02122-0320A	46-16
99011-44G62-01A	48-4		29A-16	02122-0616B	3-20
99011-44G63-01A	48-4		29B-16	02142-0520B	37-24
			33-8	02142-0525A	37-5
			33-25	02142-0525B	37-25
			33A-9	02142-0530A	37-6
			43A-17	02142-0612B	57-15
			45-12	02142-0616B	28-10
			45-17	02162-0516B	36-12
		01550-0616A	6-11	02162-0620B	28-11
			14-27	03211-0412A	32-3
01500-0625A	23-36		28-22	03211-04146	31-13
01547-0612A	53C-10	01550-0616B	28-22	03211-0416A	32-15
	55A-13		33-23	03541-0512A	32-8
	61A-15		33A-24	03541-0516B	31-5
	61A-25	01550-0625A	18-2		32-9
01547-0612B	55-9		39B-4		32-18
	61-15		39C-4	04111-2015A	61-24
	61-26	01550-0625B	39-4		61A-23
01547-0620A	6-9		39A-4	04211-09129	5-34
	6-17	01550-0695A	38B-19	04211-09149	5-14
	19-8		38C-18		5-24
	19-11	01550-0695B	38-19		5-29
01547-0620B	46-14		38A-19	04211-09189	5-6
01547-0625A	6-2	01550-0812A	43-4	04211-11169	3-7
	23-37		43A-4	04221-04089	7-3
01547-0630A	4-10		43B-4		23-7
01547-0635A	4-5		43C-4	06111-07004	37-28
	4-30	01550-0816A	53C-7	07120-0512B	29-18
	17-13	01550-0825A	38B-6		29A-19
	55A-14		38C-6		29B-19

PART NO.	FIG.NO.-REF.NO.	PART NO.	FIG.NO.-REF.NO.	PART NO.	FIG.NO.-REF.NO.
07120-0612A	16A-15	09100-06099	17-9	09106-10066	3-22
07120-0612B	16-17	09100-08287	57-18	09106-10070	3-21
07120-0635A	20-3	09103-06212	5-15	09106-10083	35-5
07120-0650B	3-11		5-25		35A-5
07120-0830A	55A-16		24-11		35B-5
07120-0865A	4-9		24A-11	09111-06041	23-15
07120-1025A	35-7	09103-06213	5-8	09111-06072	57-12
07120-1030B	35-5		5-30	09111-06073	50-13
07120-1045B	35A-7	09103-06214	5-16		50A-16
	35B-7		5-26		50B-10
07130-0512A	53B-7	09103-06215	5-9		50C-10
	59B-8	09103-06216	5-22		50D-10
07130-05127	53A-7	09103-06222	3-9	09111-06085	19-27
	59A-8	09103-06223	21-25	09111-06092	44-3
07130-0610B	36-15	09103-06224	5-31		44A-4
07130-0612B	25-5	09103-06225	5-35		44B-4
07130-0616B	26-7	09103-06286	3-2		44C-4
07130-0625A	10-12	09103-06286	35-13	09111-10059	36-2
07130-0635B	25-6	09103-08356	39-11	09116-06042	47-4
07130-0675B	45-3	09103-08359	54-11		47-9
07130-0825B	29-19		54A-11	09116-06130	13-17
	29A-20	09103-08392	14-6	09116-06171	53C-3
	29B-20		14-13	09116-06213	47-15
08211-06141	23-16	09103-09012	4-7	09118-06097	18-3
08211-10285	8-11	09103-10153	4-31	09118-08152-A05	14-9
08211-20403	8-12	09103-10189	8-13		14-16
08310-0006A	21-35	09103-10213	58-19	09119-05023	30-10
08310-00067	23-38	09103-10221	4-32	09125-05042	45-15
08316-1005B	32-20	09103-12005	25-4	09125-06073	57-6
08316-1006B	28-12	09106-05017	38-4	09126-06019	49-9
08316-1008A	49-6		38A-4	09128-06013	28-4
08316-1010A	57-19		38B-4	09134-06015	21-26
08319-2106A	31-15		38C-4	09136-06081	50-7
	46-4	09106-05023	23-42		50-10
	46-11	09106-06075	4-22		50A-10
08319-3110A	59A-20	09106-06099	15-3		50A-13
	59B-20	09106-06115	61-10		50B-4
08319-31107	59-18		61A-10		50B-7
08319-3116A	58-8	09106-07009	2-4		50C-4
08322-0105B	30-11	09106-08131	35-15		50C-7
08322-0106A	61-23	09106-08139	4-3		50D-4
	61A-22	09106-08160	53-8		50D-7
08331-3110A	6-22		53A-9	09136-06147	23-10
08331-3112A	23-39		53B-9	09139-05032	43A-12
08331-3114A	23-26		59-6		43B-13
08331-3118A	36-10		59A-6		43C-13
08332-1106A	37-10		59B-6	09139-05064	39-9
	37-30	09106-08165	14-3		39A-9
08361-3506A	24-12	09106-08167	37-13		39B-9
	24A-12	09106-10064	36-7		39C-9

PART NO.	FIG.NO.-REF.NO.	PART NO.	FIG.NO.-REF.NO.	PART NO.	FIG.NO.-REF.NO.
09139-05064	47-19	09160-22081	59A-11	09180-06300	50D-9
09139-06057	37-19		59B-11	09180-06318	47-6
09139-06083	57-14	09160-25009	22-46	09180-06325	28-8
09139-06118	30-7	09160-25056	21-15		28-19
09139-06124	14-23	09160-25073	21-2	09180-06331	47-10
09139-06126	14-19	09160-27008	22-40	09180-08152	14-7
09139-06144	18-12	09161-10009	55-4		14-14
	42-3		55A-7	09181-10158	6-20
	43-7		61-21	09181-12167	8-4
	43A-7		61A-20	09181-14167	23-25
09139-06146	43B-7	09164-06006	17-10	09181-20251	22-38
	43C-7	09164-08015	52A-16	09181-22223	22-39
	44-2	09164-12021	8-5	09181-25223	21-17
	44A-3		8-8	09181-27014	22-9
	44B-3	09164-24006	21-16	09200-06068	61-22
09139-06191	44C-3	09164-24008	21-16	09206-08007	61A-21
09139-08016	38C-15	09167-27003	22-8	09208-08017	3-3
	33-17	09168-06018	3-4	09208-08019	37-26
	33A-18	09168-06023	3-10	09208-08019	37-8
09140-06025	23-34		4-4	09208-08020	37-26
09148-05038	39-19		4-14	09247-14036	6-4
	39A-19		5-7	09248-10010	4-25
	39B-19		5-17		6-6
	39C-19		5-23	09248-16013	4-24
09159-05019	43A-14		5-32	09250-05009	45-7
	43B-15		6-3	09250-06011	52-16
09159-05048	43C-15	09168-06025	17-3	09250-06011	52A-17
09159-06078	47-8	09168-06026	19-13	09259-36021	5-18
09159-10103	36-3	09168-08016	4-15	09261-04009	6-21
09159-10111	36-3		4-16	09261-06003	22-17
09159-10115	4-33	09168-10002	4-26		22-37
	58-20		6-7	09262-22035	53-3
09159-12056	58-11	09168-12017	3-24		53A-3
	58-17		13-21		53B-3
09159-20004	22-45	09168-14002	6-5	09262-25006	23-11
09159-20006	57-9	09168-16002	4-23	09262-25061	59-3
09159-22007	59-8	09169-05008	36-13		59A-3
	59A-10	09180-06161	45-4		59B-3
	59B-10	09180-06289	37-17	09262-28025	22-29
09159-24010	21-14	09180-06290	18-4	09262-32007	59-14
09160-05037	33-18	09180-06296	53C-4		59A-16
	33A-19	09180-06300	50-9		59B-16
09160-05501	32-16		50-12	09263-10014	21-29
09160-06156	47-7		50A-12	09263-12023	8-3
09160-10020	21-27		50A-15	09263-12027	21-30
09160-12011	23-35		50B-6	09263-14027	23-21
09160-14016	23-20		50B-9	09263-15003	21-31
09160-15045	21-28		50C-6	09263-17034	58-4
09160-18022	36-9		50C-9	09263-17037	58-3
09160-22081	59-9		50D-6	09263-17039	57-3

PART NO.	FIG.NO.-REF.NO.	PART NO.	FIG.NO.-REF.NO.	PART NO.	FIG.NO.-REF.NO.
09263-17039	58-3	09320-05008	43B-14	09321-10018	14-25
09263-20087	22-10		43C-14	09329-18001	38-8
	22-30	09320-05018	43-9		38A-8
09263-22062	58-2		43A-9		38B-8
09263-25018	23-12		43B-9		38C-8
09263-26035	8-10		43C-9	09352-12163-600	38A-29
09263-27013	57-2	09320-06016	43-10		38B-29
09263-35036	21-3		43A-10		38C-28
09267-25013	22-11		43B-10	09352-50111-600	19-17
09267-30010	52-3		43C-10	09352-50901-600	19-32
	52-11	09320-06017	28-21		19-32
	52A-3	09320-06504	40-9	09360-10062	55-1
	52A-11	09320-07010	30-2		55-2
09280-04004	3-15	09320-08018	40-8		55A-8
	4-21	09320-08030	47-5		55A-9
09280-08012	4-27	09320-08066	14-24		61-20
09280-11001	3-13		28-9	09360-10064	61A-19
09280-13004	6-14	09320-08070	14-20		55-3
	6-26	09320-08071	38-17	09362-09011	55A-10
09280-17003	1-14		38A-17		19-14
09280-19008	5-11		38B-17	09367-06002	38A-30
	1-15	09320-09010	38C-16		38B-30
	6-12		43-5		38C-29
09280-24003	24-8		43A-5	09367-08004	38-23
	24A-8		43B-5		38A-23
09280-26005	23-41		43C-5		38B-23
09280-33004	1-16	09320-09016	44-4		38C-22
	5-19		44A-5	09367-08005	38-23
09280-42003	3-18		44B-5	09380-27004	22-15
09280-54001	5-4		44C-5	09380-27006	22-13
09280-64003	15-2		47-11		22-14
09280-85001	28-20	09320-10051	18-5		22-33
09282-10012	21-32	09320-10061	53C-5		22-34
09283-14005	23-22	09320-10501	30-8		22-35
09283-28016	53-4	09320-12048	14-8	09381-14001	7-12
09283-36008	53A-4		14-15	09390-58001	22-16
	53B-4	09320-12068	50-8	09390-70001	22-36
	22-31		50-11	09401-08411	19-31
09284-37001	59-4		50A-11	09401-10409	19-18
	59A-4		50A-14	09401-12404	61-18
09285-06011	59B-4		50B-5		61A-17
09285-10004	21-33		50B-8	09401-12409	19-16
09285-20006	21-34		50C-5	09401-13417	61-17
	22-12		50C-8	09401-14301	13-11
09285-39001	59-15		50D-5		13-16
09289-04003	59A-17	09321-06013	50D-8	09401-15101	20-8
09300-22008	59B-17	09321-06026	40-7	09401-17401	20-9
09320-05008	9-12	09321-08010	40-6	09402-22512	15-6
	22-32		49-4	09402-32512	19-24
	43A-13	09321-10018	14-21	09402-38512	19-5

PART NO.	FIG.NO.-REF.NO.	PART NO.	FIG.NO.-REF.NO.	PART NO.	FIG.NO.-REF.NO.
09402-56901	13-8	09440-05005	37-27		
09403-06324	55A-11	09440-17009	23-23		
09403-08334	61A-27	09443-06016	33-21		
09403-14311	38-26		33A-22		
	38A-25	09443-11030	36-11		
	38B-25				
09403-16412	38C-24	09443-14058	36-4		
	55-10	09443-19011	36-5		
	55A-12	09444-20001	23-24		
	61-27	09448-14046	37-9		
		09462-00007	27-3		
09404-06429	17-12	09471-12142	31-4		
	29-20		31-12		
	29A-21	09471-12185	30-5		
	29B-21	09471-12216	30-6		
	33-11		32-14		
	33A-12	09481-10501	33-2		
09404-06433	32-17		33A-2		
09407-11401	33-4	09481-15501	33-3		
	33A-5		33A-3		
09407-11402	15-8	09481-30501	28-2		
09407-14403	33-5				
	33A-6	09482-00456	3-16		
09407-14407	34-6	09482-00457	3-16		
	53C-12	09482-00458	3-16		
09407-18402	33-6	09482-00459	3-16		
		09482-00460	3-16		
09407-19401	33A-7	09482-00461	3-16		
	33-7	09493-28012	4-28		
	33A-8	09493-80005	3-14		
	38-27	09800-21054	41-6		
	38A-26	09816-00050	41-8		
	38B-26	09822-00003	41-7		
	38C-25				
09408-00241	53C-15				
09408-00242	53C-16				
09409-06314-5PK	42-4				
09409-08314	39-18				
	39A-18				
	39B-18				
	39C-18				
09409-08326	43-8				
	43A-8				
	43B-8				
	43C-8				
09409-08329	41-2				
09409-08330	41-3				
09409-09307	35A-4				
	35B-4				
09409-09308	35A-4				
	35B-4				
09440-05003	37-27				

SUZUKI **GSR600(A)K6/K7/K8/K9/L0** PARTS CATALOGUE

©2010 Suzuki Motor Corporation. All rights reserved.

No part of this document may be reproduced or transmitted in any form or by any means, electronic or mechanical, for any purpose, without the express written permission of Suzuki Motor Corporation.

Moto Map

Sales Network

1

**INFORMATION
ILLUSTRATION INDEX**

2

**ENGINE
TRANSMISSION**

3

ELECTRICAL

4

BODY

5

PARTS NUMBER INDEX

