

SUZUKI

PARTS CATALOGUE

GSX-R750L4

(C4111)



Way of Life!

INFORMATION
ILLUSTRATION INDEX

1

ENGINE
TRANSMISSION

2

ELECTRICAL

3

BODY

4

PARTS NUMBER INDEX

5

PREFACE

When it becomes necessary to replace parts on SUZUKI MOTORCYCLES, always use SUZUKI GENUINE PARTS which have passed a strict inspection which guarantees quality and performance.

This parts catalogue covers the list of all service parts for SUZUKI GSX-R750L4.

INSTRUCTIONS FOR QUOTING THE CATALOGUE

1. DIMENSIONS

Dimensions of the parts in this catalogue are indicated in unit millimeters.

2. ABBREVIATIONS

Abbreviations used in this catalogue are as follows:

AR	: As required	NT	: Number of teeth
ASSY	: Assembly	OPT	: Optional
E.No.	: Engine number	OS	: Over size
F.No.	: Frame number	STD	: Standard
D	: Diameter of material	T	: Thickness
ID	: Inside diameter	US	: Under size
OD	: Outside diameter	W	: Width
L	: Length		
LH	: Left hand side		
RH	: Right hand side		
~100045	: Up to F.NO.100045		
100046-	: From F.NO.100046		

12 x 34 x 5.6 Figures in the description column
show the dimensions of parts.

ID OD T(or W, L)

12345-56781 (Parts No.) : indicates that the parts number was changed to 12345-56781 and the new parts are interchangeable with the former ones but the former ones are not interchangeable with new ones.

12345-56781 (Parts No.) : indicates that the former and new parts are interchangeable with each other and both are usable.

3. INNER PARTS OF ASSEMBLY

Part name with a dot (.) in front as shown in the description column indicates the component of the assembly also available individually.

4. MODIFICATION NOTICE

A parts bulletin will be sent to you on all occasions when changes in parts occur, including interchangeable modifications between new parts and old ones.

5. NOTE

5-1. There are some different parts from those of production models among spare parts for the administrative reasons and common use of them with other models.

5-2. In respect of rubber hoses and vinyl tubes, please be sure to use them by cutting off according to the length mentioned on parts catalogue or what is actually required on the vehicle.

5-3. Note that the drawings on the illustration page are for ready reference of spare parts number, not to be used as an assembly manual.
When assembling, use "SUZUKI SERVICE MANUAL".

6. SPECIFICATION CODE

This catalogue contains the parts for the model designed for the following spec. ;
spec. code : GSX-R750L4 : E21.

7. SERIAL FRAME NUMBER

GSX-R750L4(E21) : JS1C4111100103630 ~

COLOR CHART
TABLEAU DES COULEURS

COLOR NO. NO DE COULEUR	COLOR DESCRIPTION DESCRIPTION DE COULEUR	COLOR NO. NO DE COULEUR	COLOR DESCRIPTION DESCRIPTION DE COULEUR
AG9	YCF,019,YMD,YUV	YVZ	PEARL MIRA RED
AHB	YWW,YKV	YWW	PEARL GLACIER WHITE
ASD	YKV,RB5,1TY,YZW,019,YMD	YZW	T.WRINKLE SILVER
ASX	PRL.MIRA RED	019	BLACK
AV2	YVB,YVZ,YD8,YZW,YKV,YMD,YUV	1TY	ROUGE RED NO.2
CVR	YKV,20H	20H	WARM SILVER METALLIC
DW2	P3H,6BY	291	BLACK (SEMI-GLOSS)
G3S	019,20H	5ES	OFF BLACK
JWH	YCF,019	5PK	BLACK
P3H	BLACK (LEATHER)	6BY	BLACK
RB5	PRL.BRACING WHITE	6CX	TRITON BLUE METALLIC
YAP	SHADOW BLACK METALLIC		
YCF	LUMINOUS ORANGE		
YD8	SONIC SILVER METALLIC		
YGS	GLAS SHINE BLACK		
YKV	BLACK METALLIC NO.2		
YMD	MISTIC SILVER METALLIC		
YSF	BLUE METALLIC		
YUA	MAT STELLAR BLUE METALLIC		
YUG	MAT SHADOW BLACK METALLIC NO.2		
YUV	MAT MISTIC SILVER METALLIC		
YVB	GLASS SPARKLE BLACK		

MILLIMETER INCH CONVERSION CHART

	0	1	2	3	4	5	6	7	8	9
00	.000	.039	.079	.118	.157	.197	.236	.276	.315	.354
10	.394	.433	.472	.512	.551	.591	.630	.669	.709	.748
20	.787	.827	.866	.906	.945	.984	1.024	1.063	1.102	1.142
30	1.181	1.220	1.260	1.299	1.339	1.378	1.417	1.457	1.496	1.535
40	1.575	1.614	1.654	1.693	1.732	1.772	1.811	1.850	1.890	1.929
50	1.969	2.008	2.047	2.087	2.126	2.165	2.205	2.214	2.283	2.323
60	2.362	2.402	2.441	2.480	2.520	2.559	2.598	2.638	2.677	2.717
70	2.756	2.795	2.835	2.874	2.913	2.953	2.992	3.031	3.071	3.110
80	3.150	3.189	3.228	3.268	3.307	3.346	3.386	3.425	3.465	3.504
90	3.543	3.583	3.622	3.661	3.701	3.740	3.780	3.819	3.858	3.898

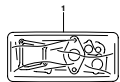
How to read

	0	1	2	3	4
00	---	---	---	---	---
10	---	---	---	---	---
20	---	---	---	0.906	---
30	---	---	---	---	---

23 millimeters equal 0.906 inch

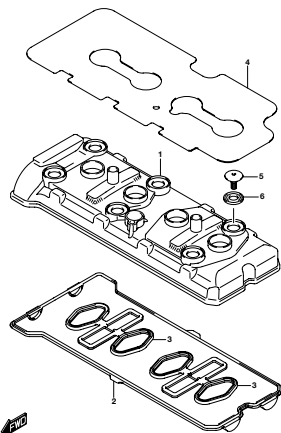
Contents are subject to change without notice or obligation.

FIG.101A GASKET SET (1-B-2)



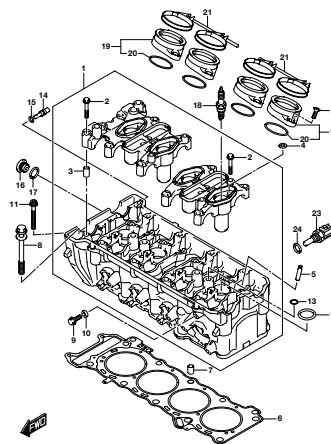
GSX-R750L4_021_101A
GASKET SET

FIG.102A CYLINDER HEAD COVER (1-B-3)



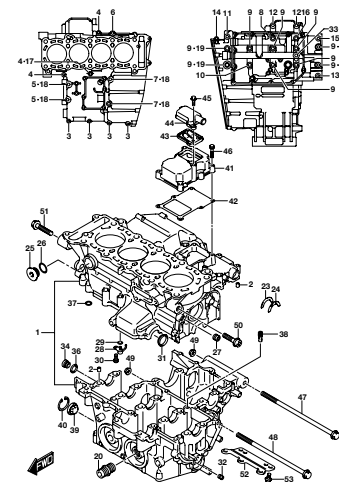
GSX-R750L4_021_102A
CYLINDER HEAD COVER

FIG.103A CYLINDER HEAD (1-B-4)



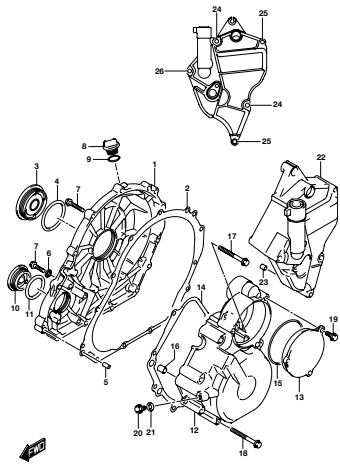
GSX-R750L4_021_103A
CYLINDER HEAD

FIG.108A CRANKCASE (1-B-5)



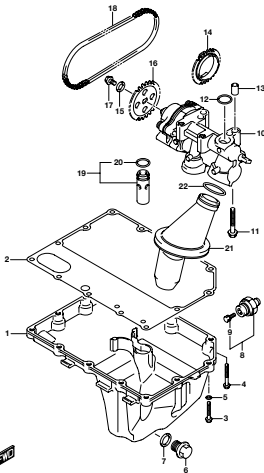
GSX-R750L4_021_108A
CRANKCASE

FIG.112A CRANKCASE COVER (1-B-7)



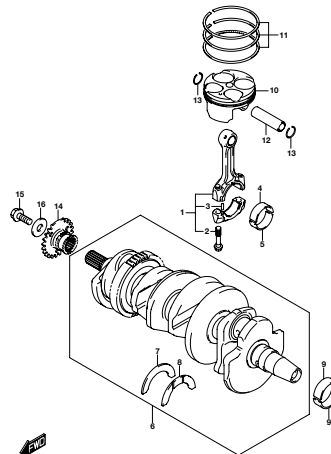
GSX-R750L4_021_112A
CRANKCASE COVER

FIG.116A OIL PAN/OIL PUMP (1-B-8)



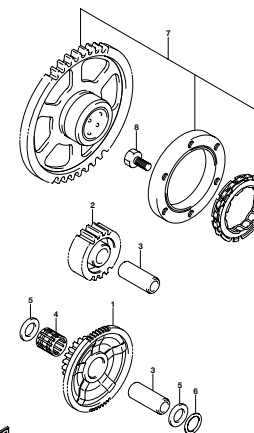
GSX-R750L4_021_116A
OIL PAN/OIL PUMP

FIG.120A CRANKSHAFT (1-B-9)



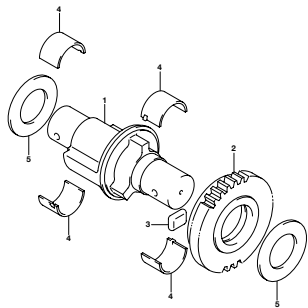
GSX-R750L4_021_120A
CRANKSHAFT

FIG.122A STARTER CLUTCH (1-B-10)



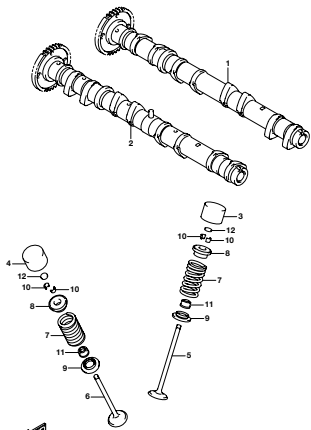
GSX-R750L4_021_122A
STARTER CLUTCH

FIG.124A CRANK BALANCER (1-B-11)



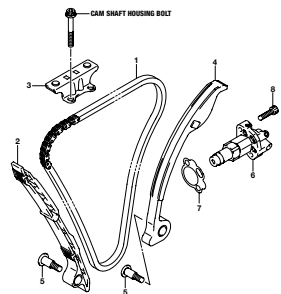
GSK-RP750L4_021_124A
CRANK BALANCER

FIG.126A CAMSHAFT/VALVE (1-B-12)



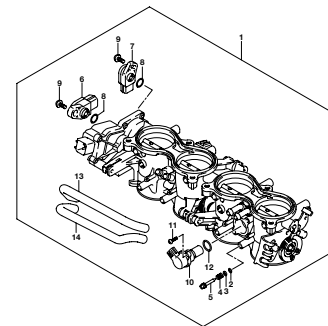
GSK-RP750L4_021_126A
CAMSHAFT/VALVE

FIG.127A CAM CHAIN (1-B-14)



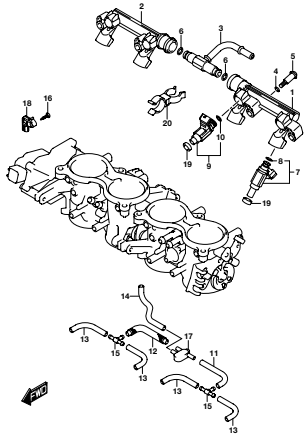
GSK-RP750L4_021_127A
CAM CHAIN

FIG.140A THROTTLE BODY (1-B-15)



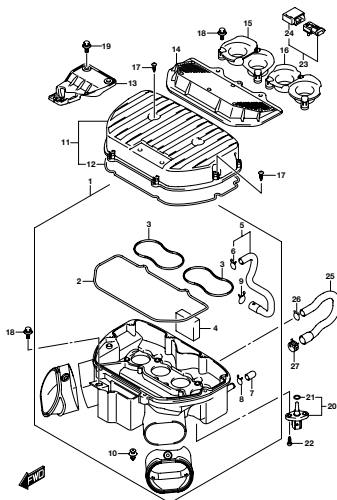
GSK-RP750L4_021_140A
THROTTLE BODY

FIG.142A THROTTLE BODY HOSE/JOINT (1-C-2)



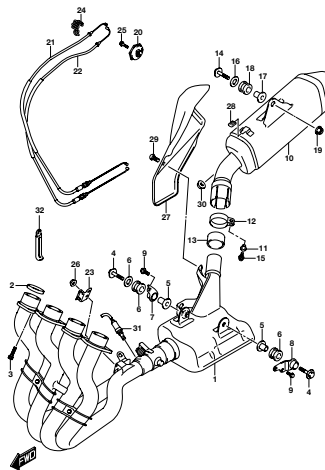
GSK-RP750L4_021_142A
THROTTLE BODY HOSE/JOINT

FIG.155A AIR CLEANER (1-C-3)



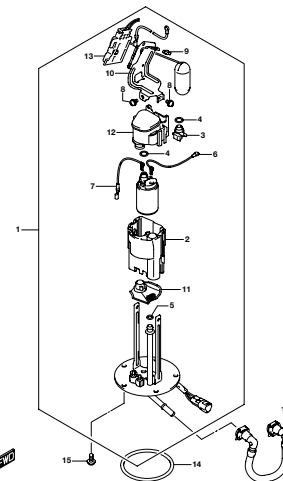
GSK-RP750L4_021_155A
AIR CLEANER

FIG.163A MUFFLER (1-C-4)



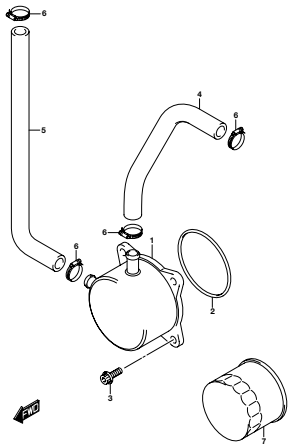
GSK-RP750L4_021_163A
MUFFLER

FIG.172A FUEL PUMP (1-C-5)



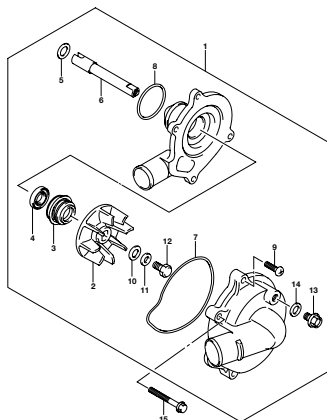
GSK-RP750L4_021_172A
FUEL PUMP

FIG.178A OIL COOLER (1-C-6)



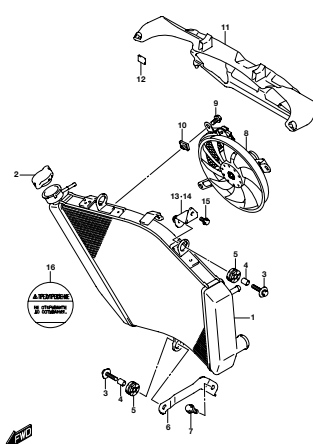
GSX-R750L4_021_178A
OIL COOLER

FIG.180A WATER PUMP (1-C-7)



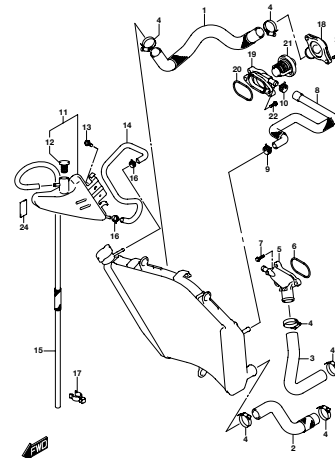
GSX-R750L4_021_180A
WATER PUMP

FIG.185A RADIATOR (1-C-8)



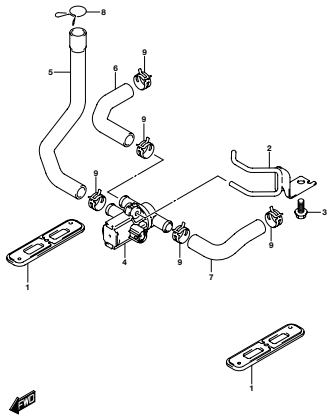
GSX-R750L4_021_185A
RADIATOR

FIG.187A RADIATOR HOSE (1-C-9)



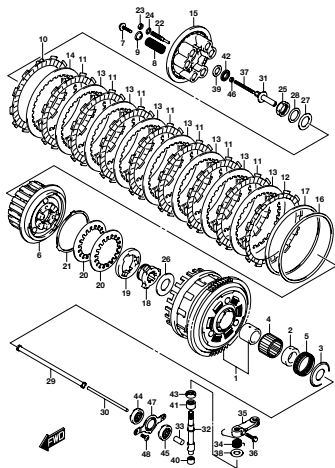
GSX-R750L4_021_187A
RADIATOR HOSE

FIG.189A 2ND AIR (1-C-10)



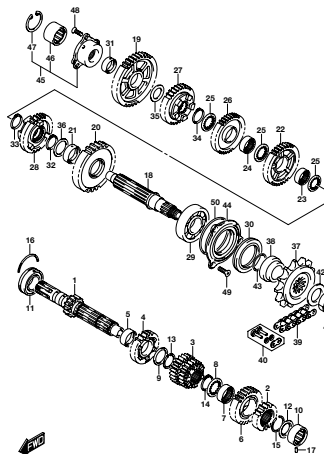
GSX-R750L4_021_189A
2ND AIR

FIG.201A CLUTCH (1-C-11)



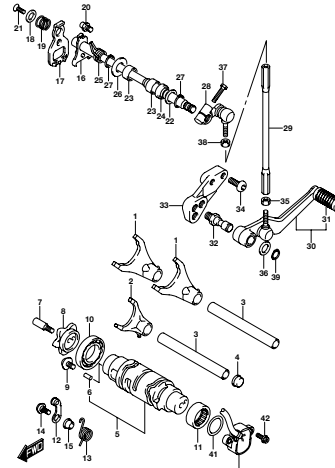
GSX-R750L4_021_201A
CLUTCH

FIG.206A TRANSMISSION (1-C-13)



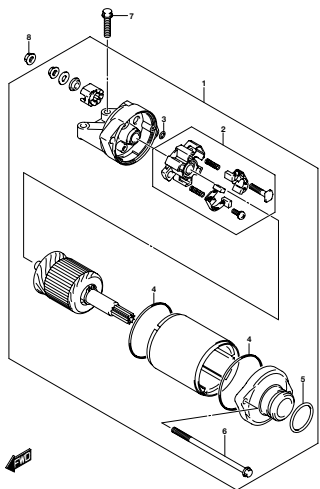
GSX-R750L4_021_206A
TRANSMISSION

FIG.212A GEAR SHIFTING (1-C-15)



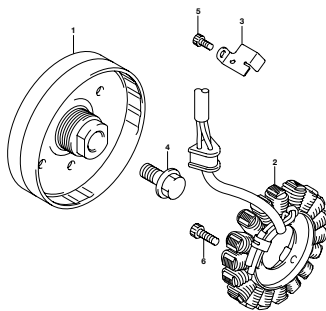
GSX-R750L4_021_212A
GEAR SHIFTING

FIG.301A STARTING MOTOR (1-D-3)



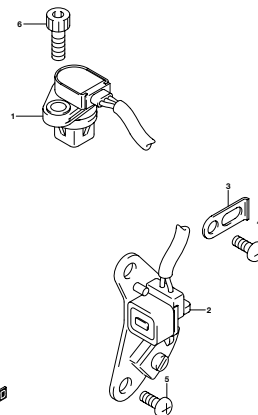
GSK-R750L4_021_301A
STARTING MOTOR

FIG.304A GENERATOR (1-D-4)



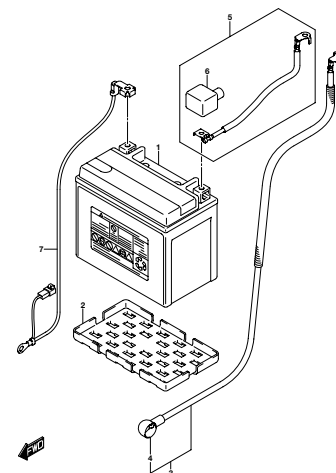
GSK-R750L4_021_304A
GENERATOR

FIG.306A SIGNAL GENERATOR (1-D-5)



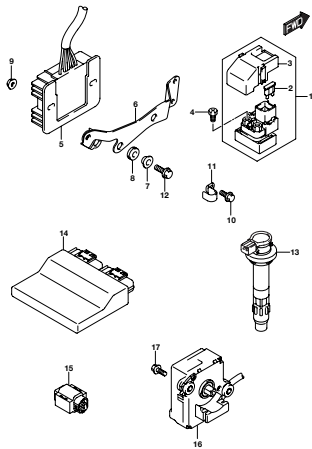
GSK-R750L4_021_306A
SIGNAL GENERATOR

FIG.310A BATTERY (1-D-6)



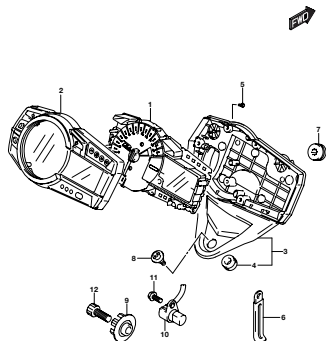
GSK-R750L4_021_310A
BATTERY

FIG.312A ELECTRICAL (1-D-7)



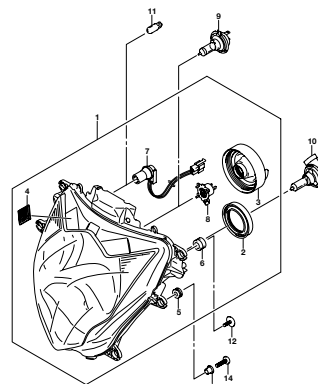
GSK-R750L4_021_312A
ELECTRICAL

FIG.330A SPEEDOMETER (1-D-8)



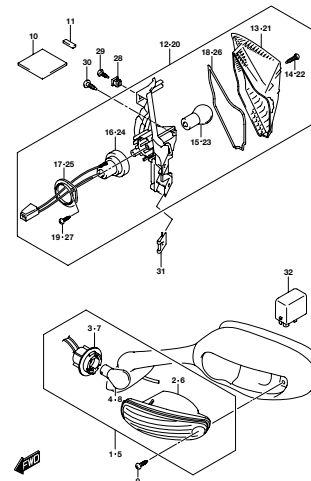
GSK-R750L4_021_330A
SPEEDOMETER

FIG.333A HEADLAMP (1-D-9)



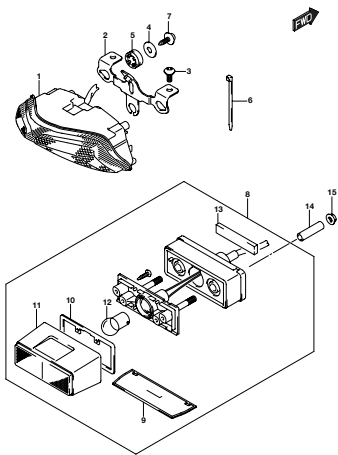
GSK-R750L4_021_333A
HEADLAMP

FIG.334A TURN SIGNAL LAMP (1-D-10)



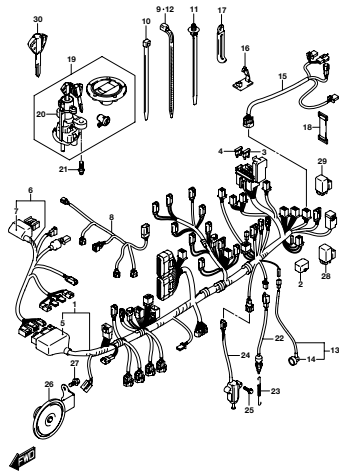
GSK-R750L4_021_334A
TURN SIGNAL LAMP

FIG.339A REAR COMBINATION LAMP (1-D-11)



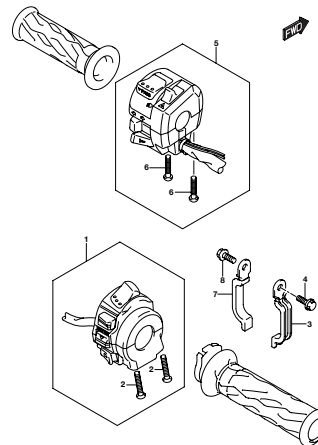
GSX-R750L4_021_339A
REAR COMBINATION LAMP

FIG.350A WIRING HARNESS (1-D-12)



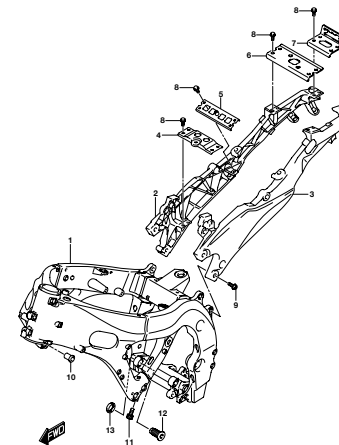
GSX-R750L4_021_350A
WIRING HARNESS

FIG.355A HANDLE SWITCH (1-D-13)



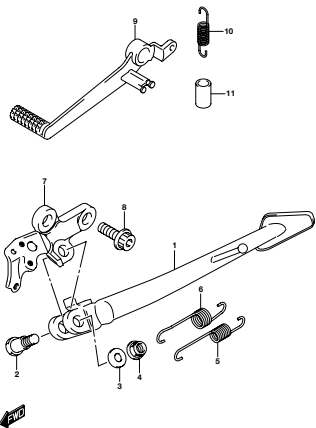
GSX-R750L4_021_355A
HANDLE SWITCH

FIG.401A FRAME (1-D-14)



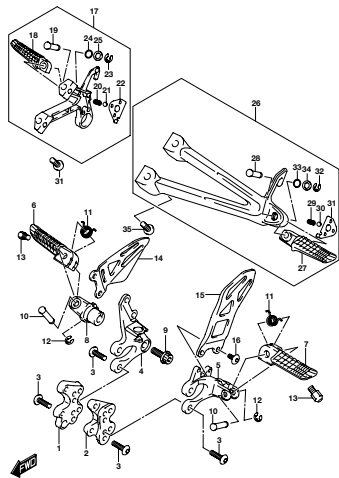
GSX-R750L4_021_410A
FRAME

FIG.407A STAND (1-D-15)



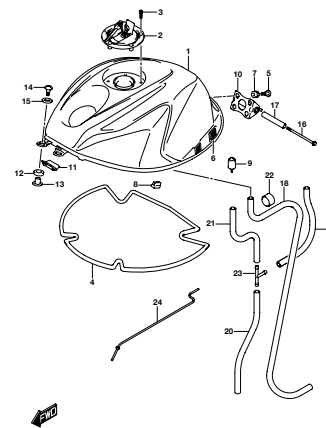
GSX-R750L4_021_407A
STAND

FIG.415A FOOTREST (1-E-2)



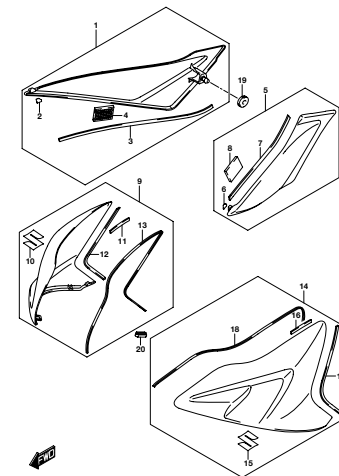
GSX-R750L4_021_415A
FOOTREST

FIG.420A FUEL TANK (1-E-4)



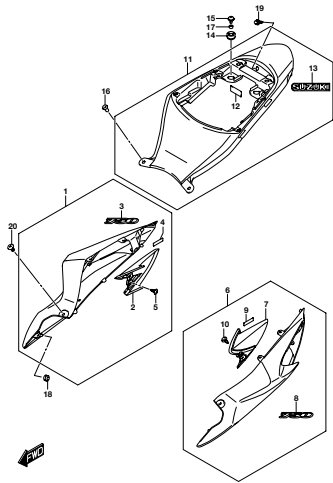
GSX-R750L4_021_420A
FUEL TANK

FIG.423A FUEL TANK COVER (1-E-5)



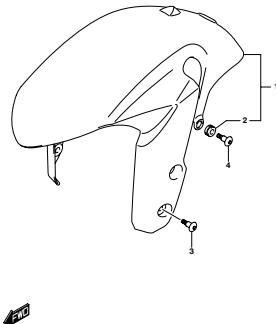
GSX-R750L4_021_423A
FUEL TANK COVER

FIG.445A FRAME COVER (1-E-6)



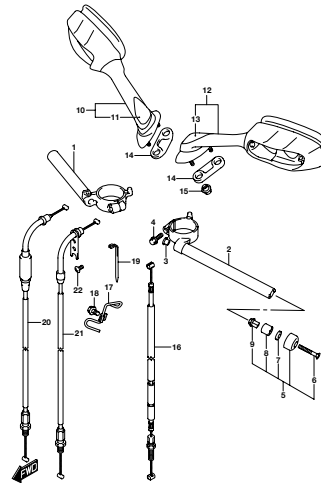
GSX-R750L4_021_445A
FRAME COVER

FIG.460A FRONT FENDER (1-E-7)



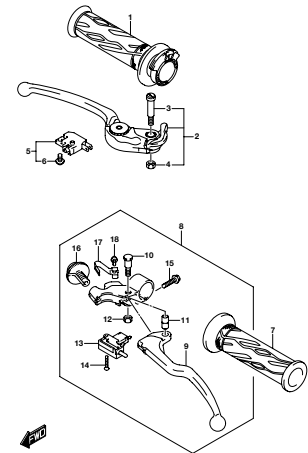
GSX-R750L4_021_460A
FRONT FENDER

FIG.462A HANDLEBAR (1-E-8)



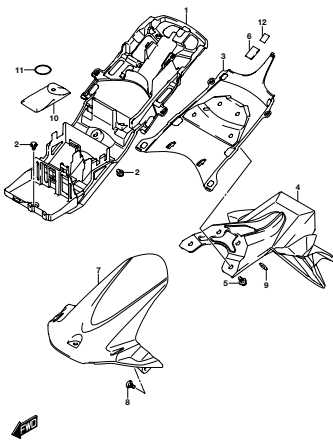
GSX-R750L4_021_462A
HANDLEBAR

FIG.467A HANDLE LEVER (1-E-9)



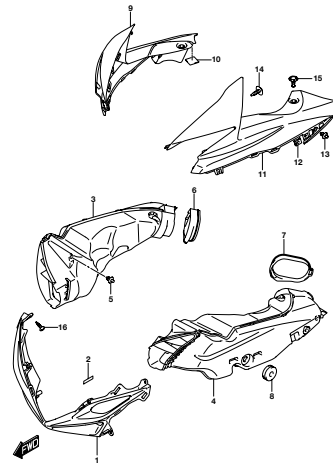
GSX-R750L4_021_467A
HANDLE LEVER

FIG.474A REAR FENDER (1-E-10)



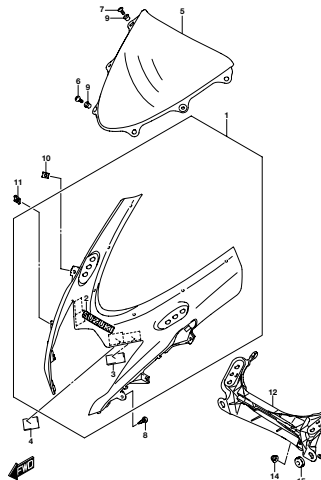
GSX-R750L4_021_474A
REAR FENDER

FIG.480A AIR INTAKE PIPE (1-E-11)



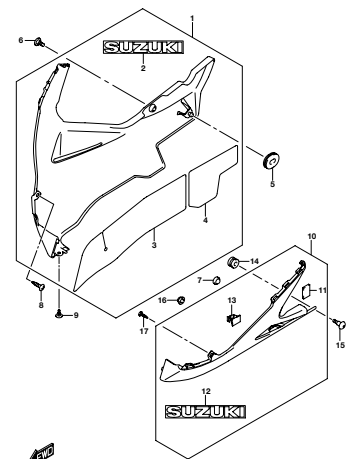
GSX-R750L4_021_480A
AIR INTAKE PIPE

FIG.481A COWLING BODY (1-E-12)



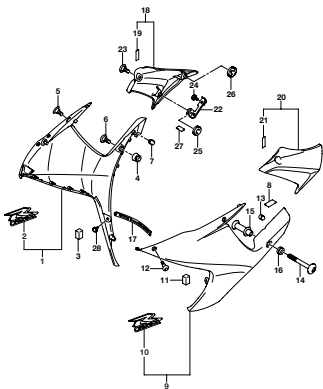
GSX-R750L4_021_481A
COWLING BODY

FIG.483A UNDER COWLING (1-E-13)



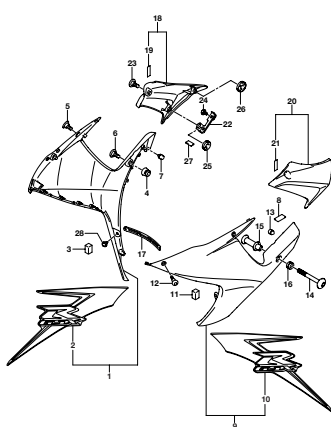
GSX-R750L4_021_483A
UNDER COWLING

FIG.485A SIDE COWLING (AGQ) (1-E-14)



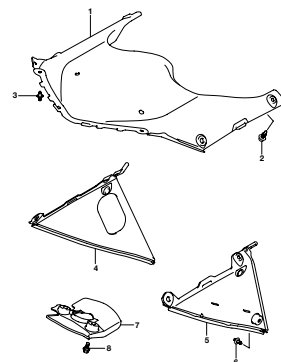
GSK-R750LA_021_485A
SIDE COWLING

FIG.485B SIDE COWLING (JSP,AR6) (1-E-15)



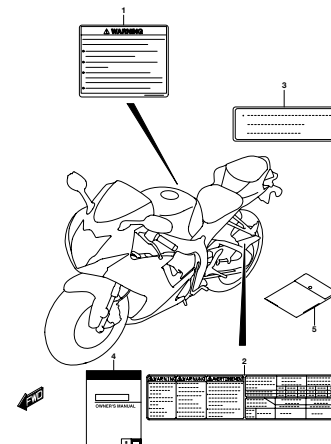
GSK-R750LA_021_485B
SIDE COWLING

FIG.487A INNER COWLING (1-F-2)



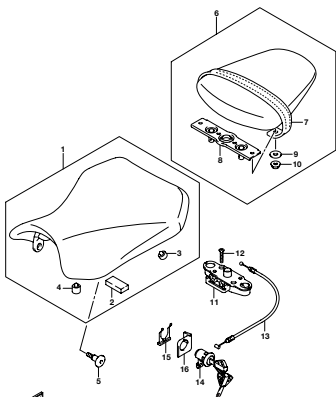
GSK-R750LA_021_487A
INNER COWLING

FIG.496A LABEL (1-F-3)



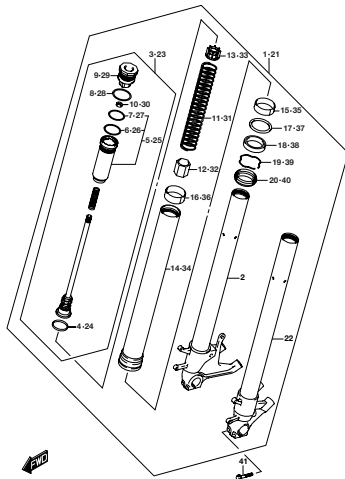
GSK-R750LA_021_496A
LABEL

FIG.505A SEAT (1-F-4)



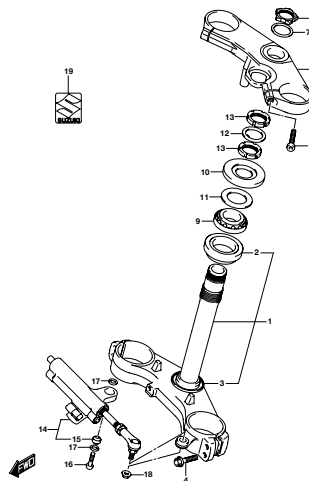
GSK-R750LA_021_505A
SEAT

FIG.521A FRONT FORK DAMPER (1-F-5)



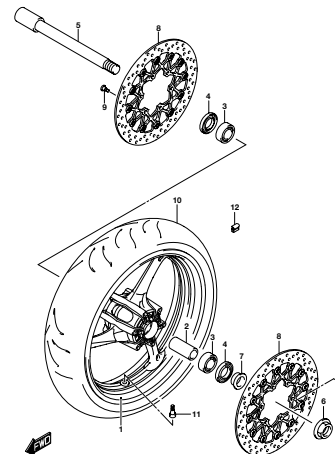
GSK-R750LA_021_521A
FRONT FORK DAMPER

FIG.524A STEERING STEM (1-F-7)



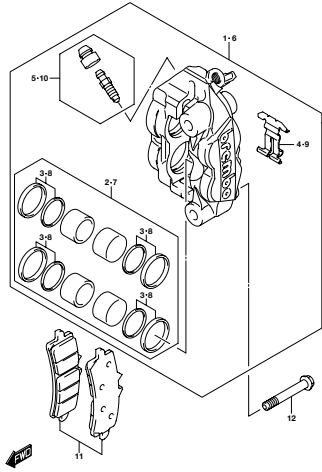
GSK-R750LA_021_524A
STEERING STEM

FIG.530A FRONT WHEEL (1-F-8)



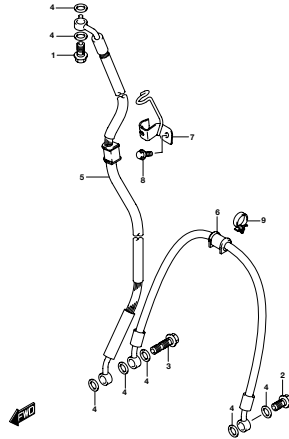
GSK-R750LA_021_530A
FRONT WHEEL

FIG.535A FRONT CALIPER (1-F-9)



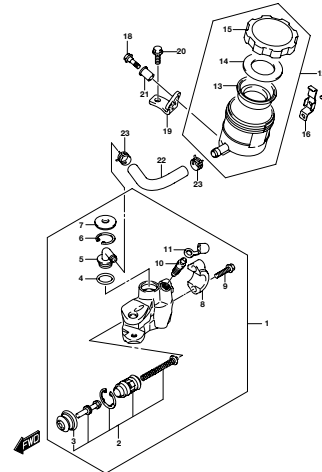
GSX-R750L4_021_535A
FRONT CALIPER

FIG.536A FRONT BRAKE HOSE (1-F-10)



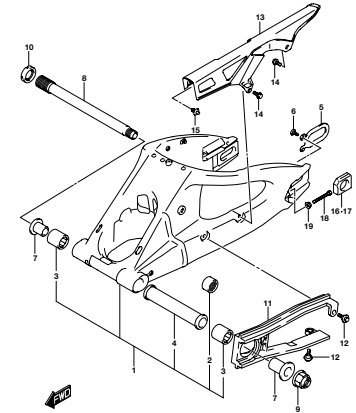
GSX-R750L4_021_536A
FRONT BRAKE HOSE

FIG.537A FRONT MASTER CYLINDER (1-F-11)



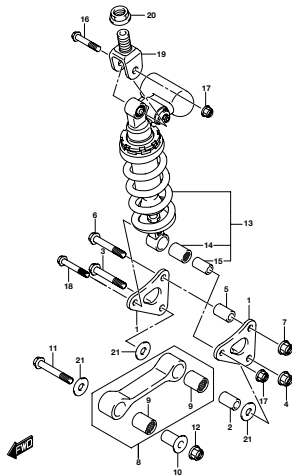
GSX-R750L4_021_537A
FRONT MASTER CYLINDER

FIG.541A REAR SWINGARM (1-F-12)



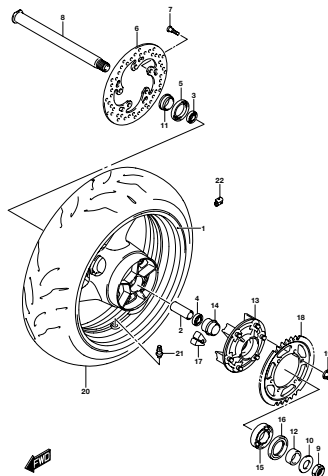
GSX-R750L4_021_541A
REAR SWINGARM

FIG.543A REAR CUSHION LEVER (1-F-13)



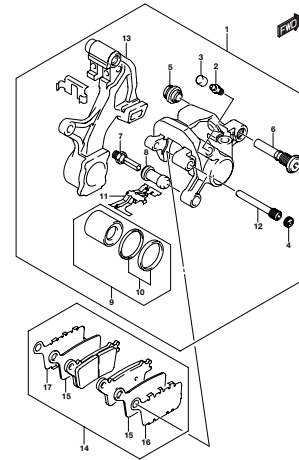
GSX-R750L4_021_543A
REAR CUSHION LEVER

FIG.550A REAR WHEEL (1-F-14)



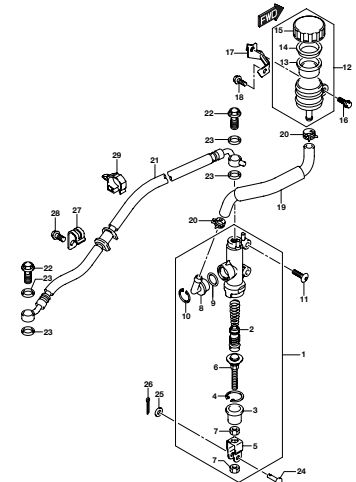
GSX-R750L4_021_550A
REAR WHEEL

FIG.555A REAR CALIPER (1-F-15)



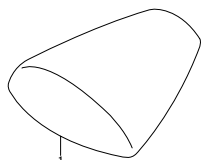
GSX-R750L4_021_555A
REAR CALIPER

FIG.558A REAR MASTER CYLINDER (1-G-2)



GSX-R750L4_021_558A
REAR MASTER CYLINDER

FIG.916A SEAT TAIL BOX (OPTIONAL) (1-G-4)



03X-R750_A_021_016A
SEAT TAIL BOX (OPTIONAL)

FIG.101A

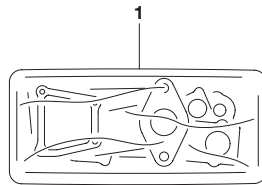


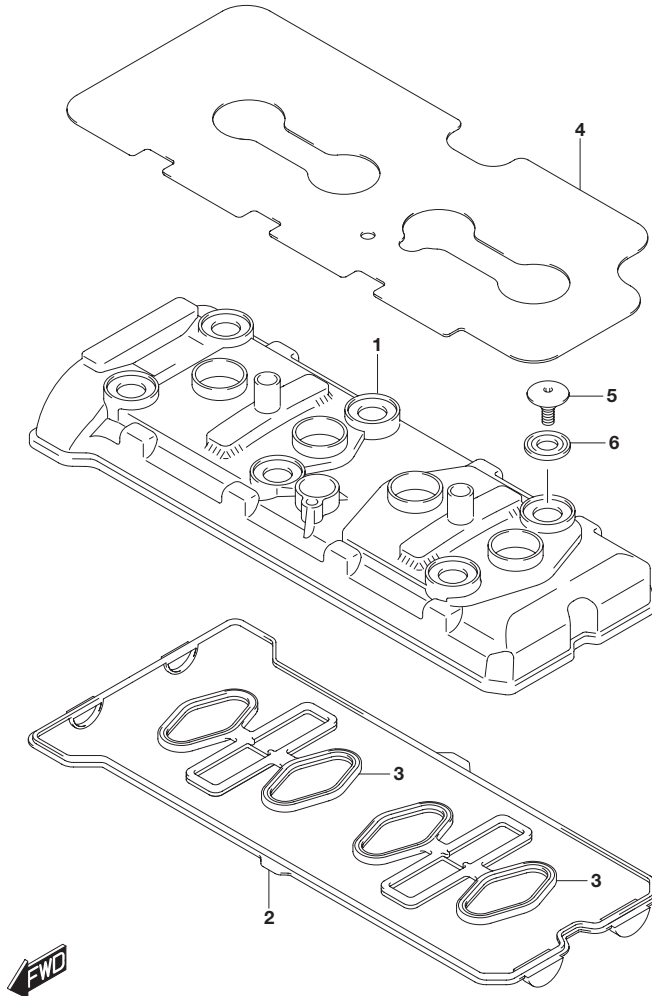
FIG.101A (1-B-2) GASKET SET

REF NO.	PART NO.	DESCRIPTION	Q'TY	REMARKS
1	11401-01831	GASKET SET	1	OPT
2	11141-02H00	.GASKET , CYLINDER HEAD	1	NOT ILLUSTRATED
3	11173-01H00	.GASKET , CYLINDER HEAD COVER NO.1	1	NOT ILLUSTRATED
4	11178-01H00	.GASKET , CYLINDER HEAD COVER NO.2	2	NOT ILLUSTRATED
5	11191-27E00	.WASHER , HEAD COVER	6	NOT ILLUSTRATED
6	11482-01H00	.GASKET , CLUTCH COVER	1	NOT ILLUSTRATED
7	11483-01H00	.GASKET , GENERATOR COVER	1	NOT ILLUSTRATED
8	11484-01H00	.GASKET , BREATHER COVER	1	NOT ILLUSTRATED
9	11489-01H01	.GASKET , OIL PAN	1	NOT ILLUSTRATED
10	12837-02H00	.GASKET , TENSIONER ADJUSTER	1	NOT ILLUSTRATED
11	14181-46E00	.GASKET , EXHAUST PIPE	4	NOT ILLUSTRATED
12	09280-15007	.O RING (D:2.4 ,D:15.8)	1	NOT ILLUSTRATED
13	09280-17003	.O RING (D:3.1 ,D:16.8)	1	NOT ILLUSTRATED
14	09280-25004	.O RING (D:2.4 ,D:24.7)	1	NOT ILLUSTRATED
15	09280-33004	.O RING (D:3.1 ,D:32.7)	1	NOT ILLUSTRATED
16	09280-71008	.O RING (D:2.6 ,D:67.1)	1	NOT ILLUSTRATED
17	15201-35F00	.O RING ,FUEL PUMP	1	NOT ILLUSTRATED

FIG.102A

FIG.102A (1-B-3) CYLINDER HEAD COVER

2



REF NO.	PART NO.	DESCRIPTION	Q'TY	REMARKS
1	11171-01H00	COVER ,CYLINDER HEAD	1	
2	11173-01H00	GASKET ,CYL HEAD COVER NO.1	1	
3	11178-01H00	GASKET ,CYL HEAD COVER NO.2	2	
4	11179-37H00	SHIELD ,CYLINDER HEAD COVER	1	
5	09106-07021	BOLT (7X17.5)	6	
6	11191-27E00	WASHER	6	

FIG.103A

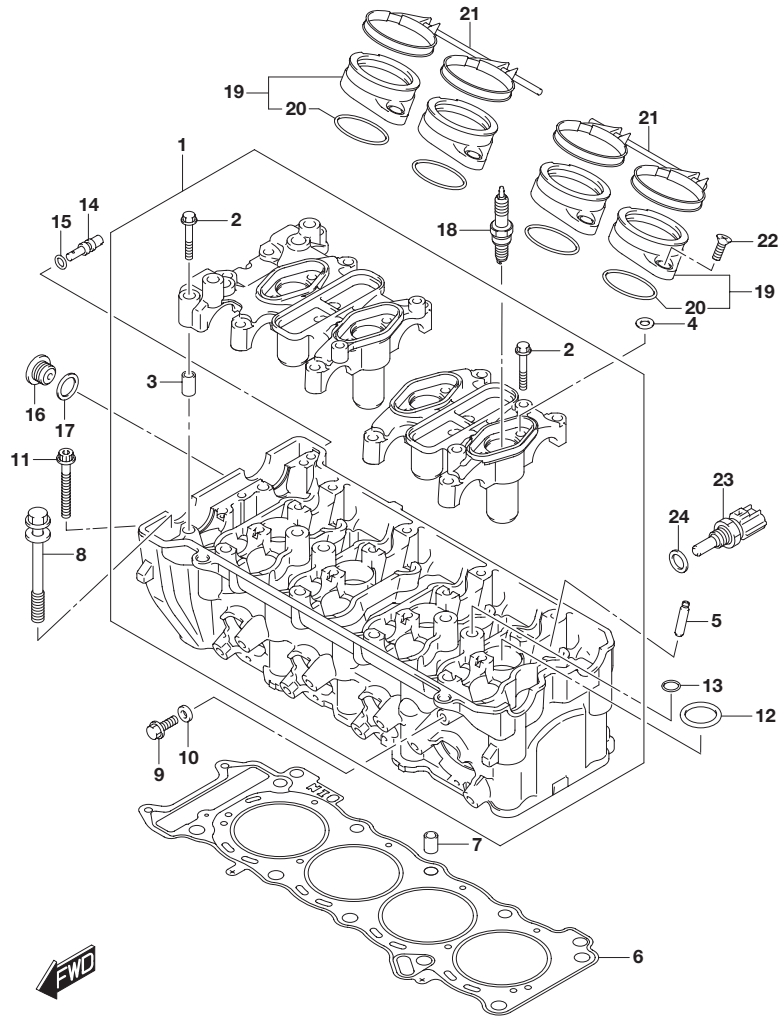


FIG.103A (1-B-4) CYLINDER HEAD

REF NO.	PART NO.	DESCRIPTION	Q'TY	REMARKS
1	11100-38H00	HEAD ASSY ,CYLINDER	1	
2	09103-06266	.BOLT(6X40)	20	
3	09206-08007	.PIN (6.2X8X16)	4	
4	09168-06018	GASKET (6.2X13X1.2)	8	
5	11115-29G70	GUIDE ,VALVE (OS:0.3)	16	OPT
6	11141-02H00	GASKET ,CYLINDER HEAD	1	
7	04211-11169	PIN	2	
8	11117-29G00	BOLT (10X95)	10	
9	09103-06222	BOLT (6X12)	1	
10	09168-06023	GASKET (5.8X13X1.2)	1	
11	07120-0650A	BOLT	2	
12	11179-81402	O RING , SPARK PLUG PIPE	4	
13	09280-11001	O RING (D:2.4 ,D:10.8)	4	
14	09493-80005	JET , OIL GALLERY (8)	1	
15	09280-04004	O RING (D:1.2 ,D:4)	1	
16	09248-16012	PLUG (16X8)	1	
17	09168-16009	GASKET (16X22X0.8)	1	
18-1	09482-00557	SPARK PLUG (DENSO ,IU27D)	4	
18-2	09482-00558	SPARK PLUG (NGK ,CR9EIA - 9)	4	
18-3	09482-00555	SPARK PLUG (DENSO ,IU24D)	4	OPT
18-4	09482-00556	SPARK PLUG (NGK ,CR8EIA - 9)	4	OPT
18-5	09482-00559	SPARK PLUG (DENSO ,IU31D)	4	OPT
18-6	09482-00560	SPARK PLUG (NGK ,CR10EIA - 9)	4	OPT
19	13101-15J00	PIPE ,INTAKE	4	
20	09280-46006	.O RING (D:2.4 ,D:47X42)	4	
21	13826-02H12	CLAMP ,INTAKE PIPE	2	
22	09120-06007	BOLT (6X18.4)	8	
23	13650-49X00	SENSOR ,WATER TEMPERATURE	1	
24	09168-12017	GASKET (12X17X1)	1	

FIG.108A

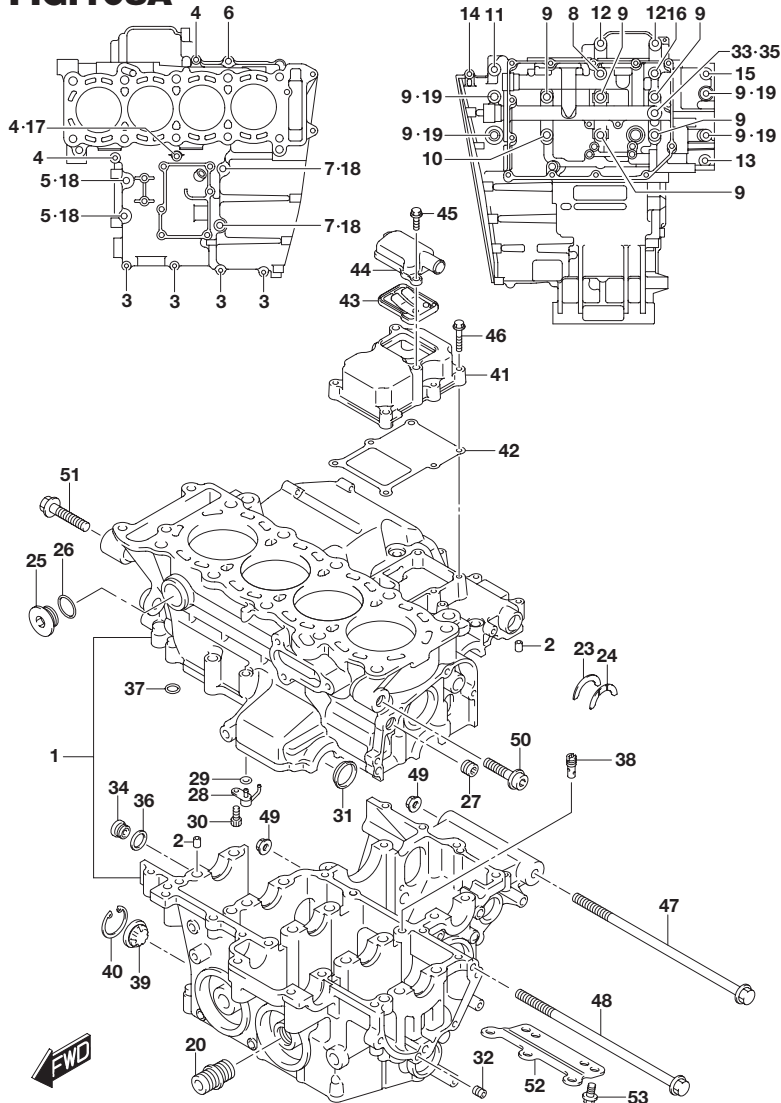


FIG.108A (1-B-5) CRANKCASE

REF NO.	PART NO.	DESCRIPTION	Q'TY	REMARKS
1	11301-15830	CRANKCASE SET	1	
2	11319-33E50	.PIN	3	
3	01547-0635A	.BOLT	4	
4	01547-0665A	.BOLT	3	
5	01550-0850A	.BOLT	2	
6	01550-0860A	.BOLT	1	
7	01550-0875A	.BOLT	2	
8	09103-08097	.BOLT (8X105)	1	
9	09103-09012	.BOLT (9X95)	9	
10	09103-09014	.BOLT (9X80)	1	
11	01550-0855A	.BOLT	1	
12	09103-08339	.BOLT (8X55)	2	
13	01547-0630A	.BOLT	1	
14	01547-0645A	.BOLT	1	
15	01550-0865A	.BOLT	1	
16	01550-0885A	.BOLT	1	
17	09168-06023	.GASKET (5.8X13X1.2)	1	
18	09168-08016	.GASKET (8.2X14X1)	1	
19	09168-10031	.GASKET (10.2X20X2.3)	4	
20	16591-06B01	.UNION ,OIL FILTER STAND	1	
21	09280-00043	.O RING (D:1.9 ,ID:99.5)	1	DRIVE SHAFT BEARING COVER NOT ILLUSTRATED
22	09139-06151	.BOLT (6X20)	6	DRIVE SHAFT BEARING COVER NOT ILLUSTRATED
23	12228-17E00-0D0	.BEARING , THRUST RH (GREEN)	1	
24-1	12228-17E00-0A0	.BEARING , THRUST LH (RED)	1	
24-2	12228-17E00-0B0	.BEARING , THRUST LH (BLACK)	1	
24-3	12228-17E00-0C0	.BEARING , THRUST LH (BLUE)	1	
24-4	12228-17E00-0D0	.BEARING , THRUST LH (GREEN)	1	
24-5	12228-17E00-0E0	.BEARING , THRUST LH (YELLOW)	1	
24-6	12228-17E00-0F0	.BEARING , THRUST LH (WHITE)	1	
25	11318-35F00	.PLUG , WATER JACKET	3	
26	09280-20002	.O RING (D:3.1 ,ID:19.4)	3	

FIG.108A

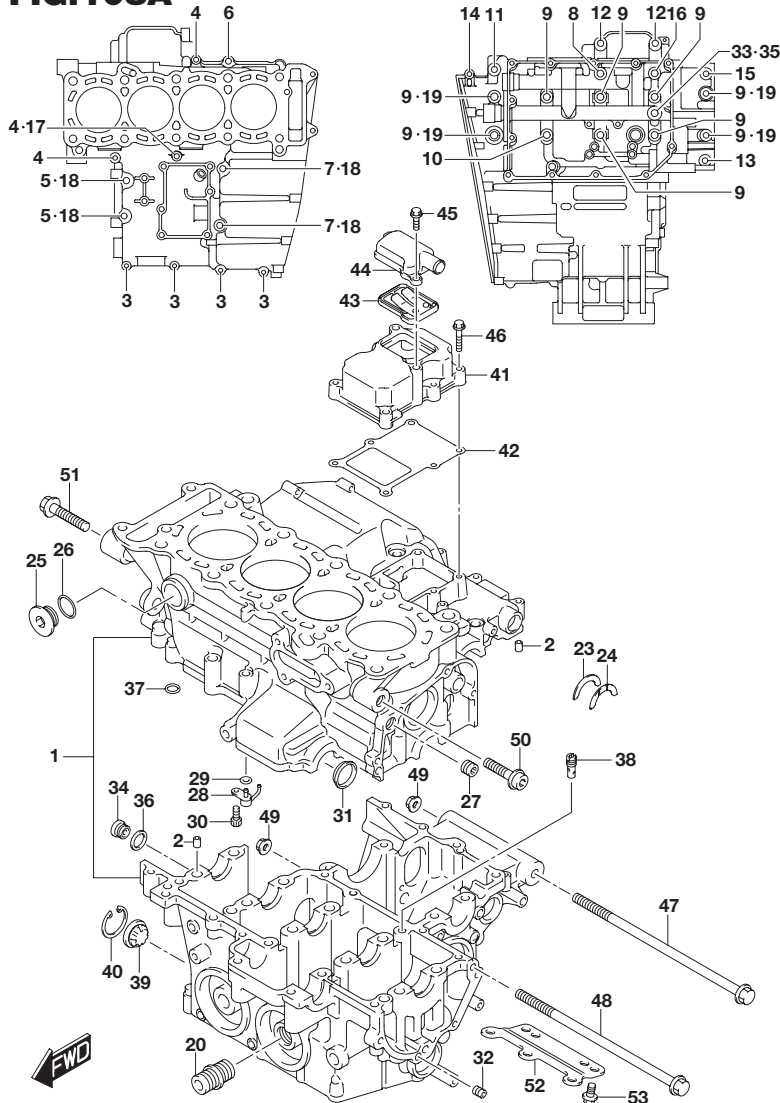


FIG.108A (1-B-6) CRANKCASE

REF NO.	PART NO.	DESCRIPTION	Q'TY	REMARKS
27	11329-02F00	JET , OIL GALLERY	1	
28	11390-35F00	JET , PISTON COOLING	4	
29	09280-04004	O RING (D:1.2 ,ID:4)	4	
30	09106-06075	BOLT (6X12)	4	
31	09241-26004	PLUG	1	
32	09246-05006	PLUG	1	
33	09248-12004	PLUG (L:12)	1	
34	09248-16013	PLUG (16X12)	2	
35	09168-12002	GASKET (12.1X16.2X3.7)	1	
36	09168-16002	GASKET (16X22X2)	2	
37	09280-08012	O RING (D:1.9 ,ID:7.8)	1	
38	09493-28012	JET , T/M OIL (14)	1	
39	11971-33210	LENS , OIL LEVEL	1	
40	08331-4130A	CIRCLIP	1	
41	11371-01H00	COVER , BREATHER	1	
42	11484-01H00	GASKET , BREATHER COVER	1	
43	13150-01H01	VALVE ASSY , BREATHER REED	1	
44	11372-01H00	COVER , VALVE	1	
45	01547-0616A	BOLT	2	
46	01547-0630A	BOLT	6	
47	09103-10041-A05	BOLT (10X215)	1	
48	09103-10145	BOLT (10X205)	1	
49	09159-10115	NUT	2	
50	09106-10069	BOLT (10X45)	1	
51	09106-10070	BOLT (10X55)	1	
52	11322-01H00	PLATE , LOWER	1	
53	09103-06188	BOLT (6X10)	4	

FIG.112A

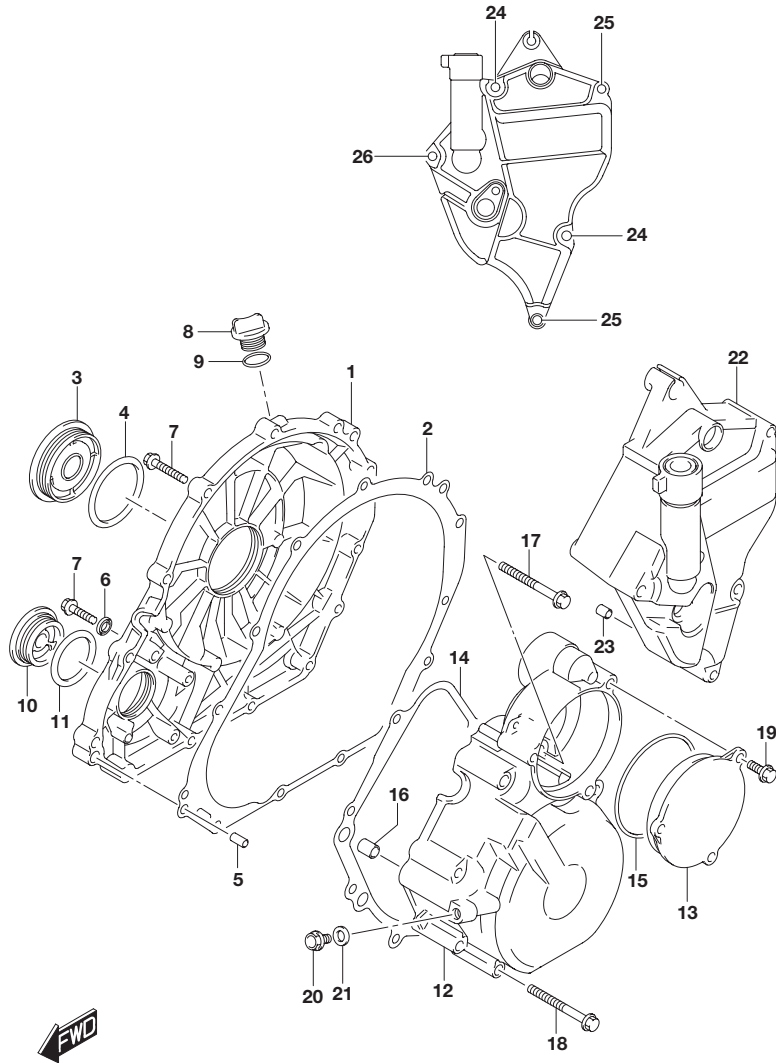


FIG.112A (1-B-7) CRANKCASE COVER

REF NO.	PART NO.	DESCRIPTION	Q'TY	REMARKS
1	11341-37H00	COVER ,CLUTCH	1	
2	11482-01H00	GASKET ,CLUTCH COVER	1	
3	11342-41G10	CAP ,CLUTCH RELEASE ADJUST	1	
4	31156-17E00	O RING ,ADJUST CAP	1	
5	04211-09189	PIN	2	
6	09168-06023	GASKET (5.8X13X1.2)	1	
7	09103-06213	BOLT (6X30)	13	
8	11971-25D00	PLUG ,ENGINE OIL FILTER	1	
9	09280-17003	O RING (D:3.1 ,D:16.8)	1	
10	09259-36021	PLUG	1	
11	09280-33004	O RING (D:3.1 ,D:32.7)	1	
12	11351-01H02	COVER ,GENERATOR	1	
13	11352-01H00	CAP ,STARTER IDLE GEAR	1	
14	11483-01H00	GASKET ,GENERATOR COVER	1	
15	09280-71008	O RING (D:2.6 ,D:67.1)	1	
16	04211-09149	PIN	1	
17	09103-06212	BOLT (6X25)	1	
18	09103-06238	BOLT (6X50)	7	
19	09103-06274	BOLT (6X16)	3	
20	09103-06222	BOLT (6X12)	1	
21	09168-06018	GASKET (6.2X13X1.2)	1	
22	11361-01H00	COVER ,ENGINE SPROCKET	1	
23	04211-09129	PIN	2	
24	09103-06224	BOLT (6X45)	2	
25	09103-06239	BOLT (6X65)	2	
26	09103-06257	BOLT (6X75)	1	

FIG.116A

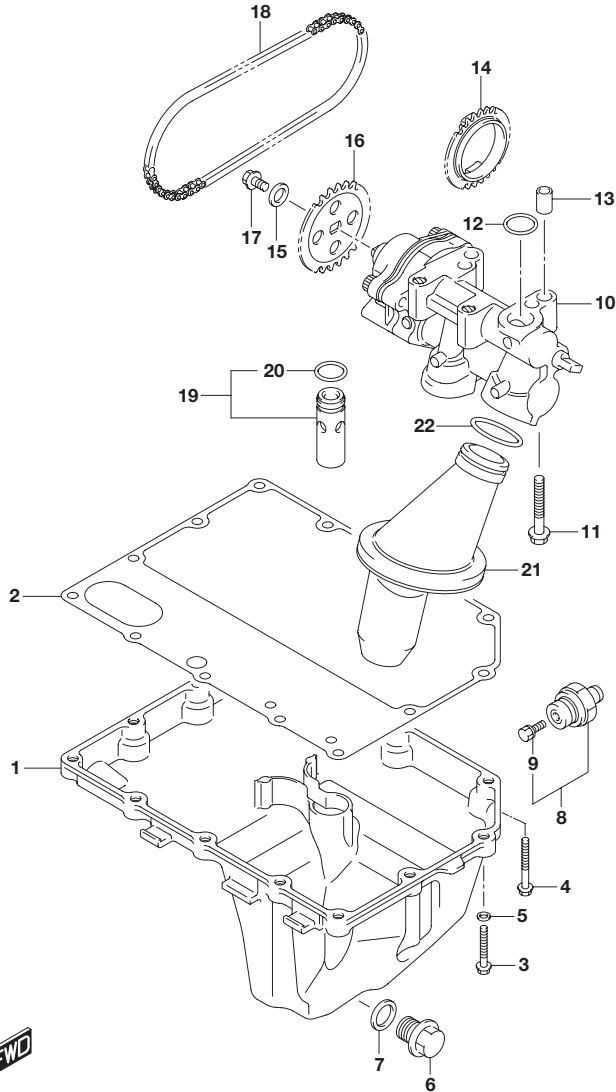


FIG.116A (1-B-8) OIL PAN/OIL PUMP

REF NO.	PART NO.	DESCRIPTION	Q'TY	REMARKS
1	11511-01H00	PAN , OIL	1	
2	11489-01H01	GASKET	1	
3	01547-0625A	BOLT	10	
4	09103-06204	BOLT (6X30)	3	
5	09168-06023	GASKET (5.8X13X1.2)	1	
6	09247-14036	PLUG (14X20)	1	OIL DRAIN
7	09168-14002	GASKET (13.8X18.8X4.8)	1	
8	37820-33D10	SWITCH , OIL PRESSURE	1	
9	37822-33D00	.BOLT	1	
10	16400-01H00	PUMP ASSY , OIL	1	
11	01547-0635A	BOLT	4	
12	09280-15007	O RING (D:2.4 ,D:15.8)	1	
13	04211-09149	PIN	2	
14	16321-01H00	SPROCKET , DRIVE (NT:27)	1	
15	09181-10158	SHIM (10X18X0.5)	1	
16	16331-01H00	SPROCKET , DRIVEN (NT:28)	1	
17	09103-06285	BOLT (6X12)	1	
18	16310-01H00	CHAIN , OIL PUMP DRIVE	1	
19	16440-24F00	VALVE ASSY , OIL RELIEF	1	
20	09280-13004	.O RING (D:1.9 ,D:13)	1	
21	16520-01H00	STRAINER , ENGINE OIL NO.1	1	
22	09280-25004	O RING (D:2.4 ,D:24.7)	1	

FIG.120A

2

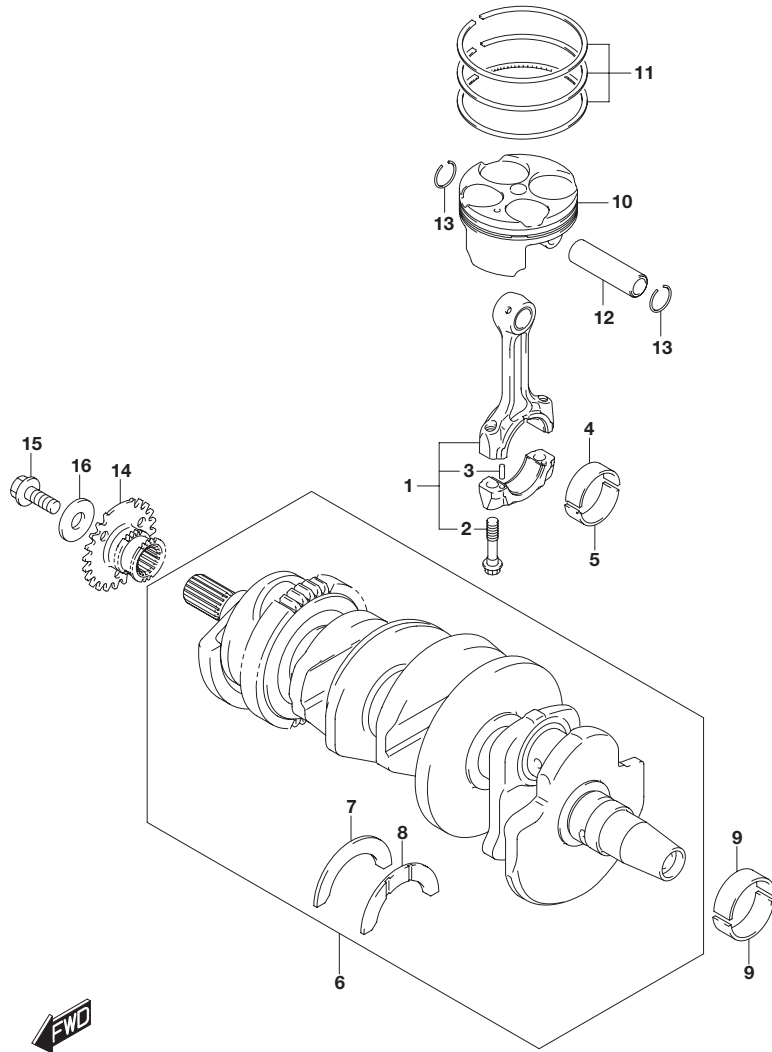


FIG.120A (1-B-9) CRANKSHAFT

REF NO.	PART NO.	DESCRIPTION	Q'TY	REMARKS
1	12160-15J00	ROD ASSY ,CONNECTING	4	
2	12163-35F00	.BOLT	8	
3	04221-04089	.PIN	8	
4-1	12164-15J00-0A0	BEARING ,CRANK PIN(GREEN)	4	
4-2	12164-15J00-0B0	BEARING ,CRANK PIN(BLACK)	4	
4-3	12164-15J00-0C0	BEARING ,CRANK PIN(BROWN)	4	
4-4	12164-15J00-0D0	BEARING ,CRANK PIN(YELLOW)	4	
5-1	12164-30G00-0A0	BEARING ,CRANK PIN(GREEN)	4	
5-2	12164-30G00-0B0	BEARING ,CRANK PIN(BLACK)	4	
5-3	12164-30G00-0C0	BEARING ,CRANK PIN(BROWN)	4	
5-4	12164-30G00-0D0	BEARING ,CRANK PIN(YELLOW)	4	
6	12000-02850	CRANKSHAFT SET	1	
7	12228-17E00-0D0	.BEARING ,THRUST RH(GREEN)	1	
8-1	12228-17E00-0A0	.BEARING ,THRUST LH(RED)	1	
8-2	12228-17E00-0B0	.BEARING ,THRUST LH(BLACK)	1	
8-3	12228-17E00-0C0	.BEARING ,THRUST LH(BLUE)	1	
8-4	12228-17E00-0D0	.BEARING ,THRUST LH(GREEN)	1	
8-5	12228-17E00-0E0	.BEARING ,THRUST LH(YELLOW)	1	
8-6	12228-17E00-0F0	.BEARING ,THRUST LH(WHITE)	1	
9-1	12229-02H00-0A0	BEARING ,CRANKSHAFT(GREEN)	10	
9-2	12229-02H00-0B0	BEARING ,CRANKSHAFT(BLACK)	10	
9-3	12229-02H00-0C0	BEARING ,CRANKSHAFT(BROWN)	10	
9-4	12229-02H00-0D0	BEARING ,CRANKSHAFT(YELLOW)	10	
9-5	12229-02H00-0E0	BEARING ,CRANKSHAFT(BLUE)	10	
10	12111-02H10-0F0	PISTON	4	
11	12140-02H00	RING SET ,PISTON	4	
12	12151-41G00	PIN ,PISTON	4	
13	09381-15001	CIRCLIP	8	
14	12731-01H00	SPROCKET ,CAM CHAIN(NT:17)	1	
15	09103-10189	BOLT (10X23)	1	
16	08211-10285	WASHER	1	

FIG.122A

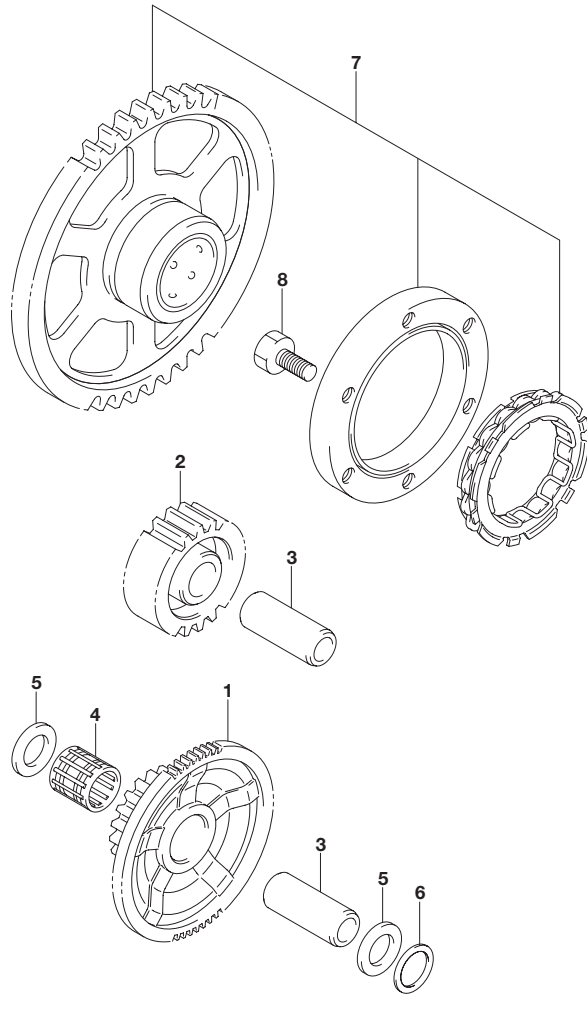


FIG.122A (1-B-10) STARTER CLUTCH

REF NO.	PART NO.	DESCRIPTION	Q'TY	REMARKS
1	12611-01H00	GEAR ,STARTER IDLE NO.1 (NT:14/65)	1	
2	12612-01H00	GEAR ,STARTER IDLE NO.2 (NT:19)	1	
3	09206-12007	PIN (8X12X33)	2	
4	09263-12023	BEARING (12X16X16)	1	
5	09181-12167	SHIM (12X20X1)	2	
6	09164-12021	WASHER	1	
7	12600-01810	CLUTCH SET ,STARTER (NT:57)	1	
8	09100-06171	BOLT (6X13)	6	

FIG.124A

2

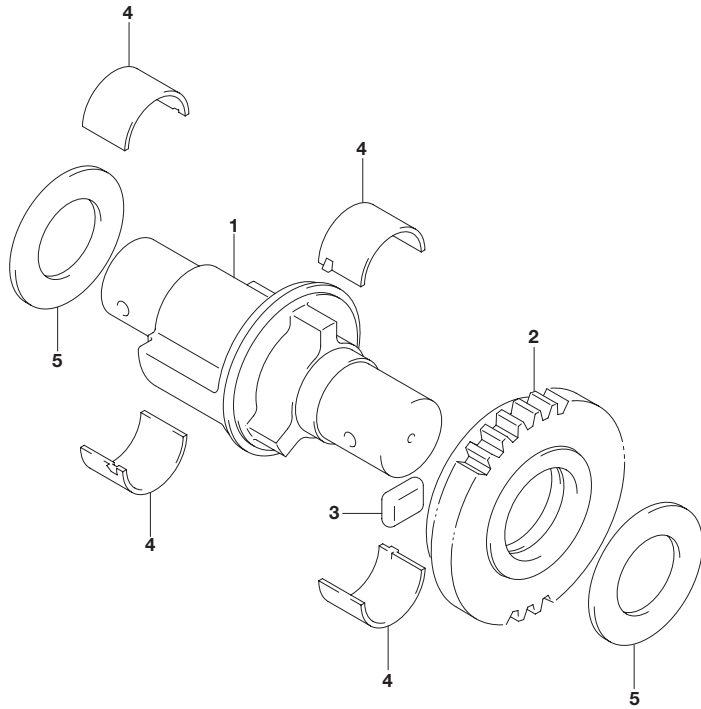


FIG.124A (1-B-11) CRANK BALANCER

REF NO.	PART NO.	DESCRIPTION	Q'TY	REMARKS
1	12654-02H00	BALANCER , CRANK	1	
2	12666-01H00	GEAR , CRANK BALANCER (NT:27)	1	
3	12686-40F00	DAMPER , CRANK BALANCER GEAR	6	
4-1	12229-40F50-0A0	BEARING , CRANK BALANCER (GREEN)	4	
4-2	12229-40F50-0B0	BEARING , CRANK BALANCER (BLACK)	4	
4-3	12229-40F50-0C0	BEARING , CRANK BALANCER (BROWN)	4	
5	09181-23002	SHIM (23X40X2)	2	



FIG.126A

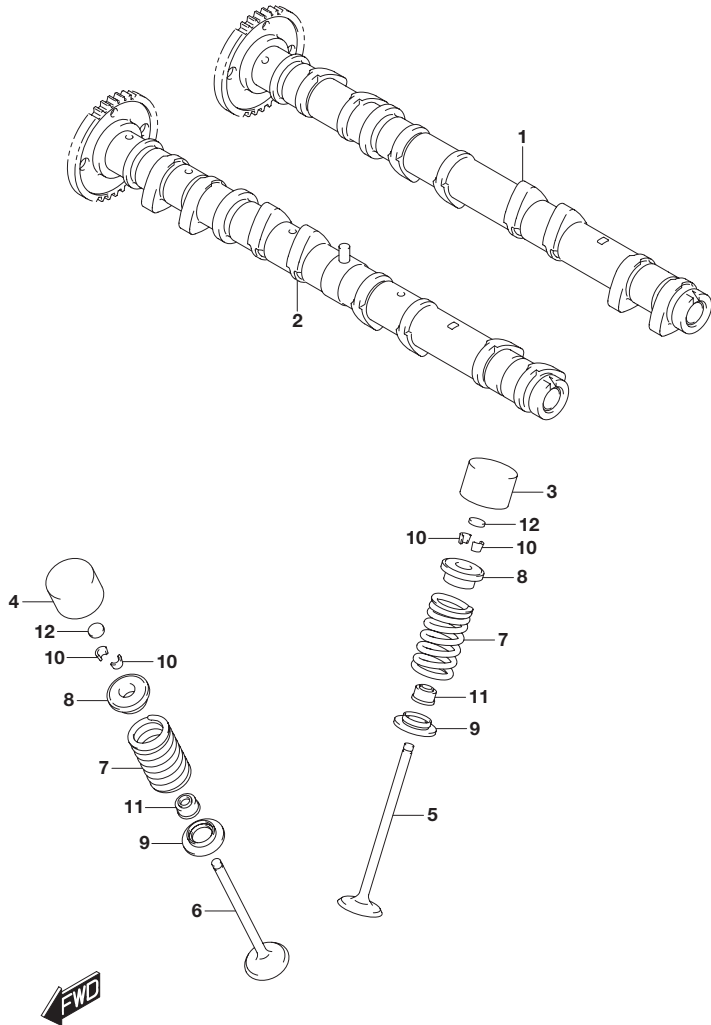


FIG.126A (1-B-12) CAMSHAFT/VALVE

REF NO.	PART NO.	DESCRIPTION	Q'TY	REMARKS
1	12710-15J00	CAMSHAFT ,INTAKE	1	
2	12720-15J00	CAMSHAFT ,EXHAUST	1	
3	12891-47H00	TAPPET ,INTAKE	8	
4	12891-35F00	TAPPET ,EXHAUST	8	
5	12911-15J00	VALVE ,INTAKE	8	
6	12912-15J00	VALVE ,EXHAUST	8	
7	12921-02H01	SPRING , VALVE	16	
8	12931-29G00	RETAINER , VALVE SPRING	16	
9	12933-29G00	SEAT , VALVE SPRING	16	
10	12932-32C00	COTTER , VALVE	32	
11	09289-04002	OIL SEAL (4.5X10X8)	16	
12-1	12892-05C00-120	SHIM , TAPPET (T:1.20)	16	
12-2	12892-05C00-125	SHIM , TAPPET (T:1.25)	16	
12-3	12892-05C00-130	SHIM , TAPPET (T:1.30)	16	
12-4	12892-05C00-135	SHIM , TAPPET (T:1.35)	16	
12-5	12892-05C00-140	SHIM , TAPPET (T:1.40)	16	
12-6	12892-05C00-145	SHIM , TAPPET (T:1.45)	16	
12-7	12892-05C00-150	SHIM , TAPPET (T:1.50)	16	
12-8	12892-05C00-155	SHIM , TAPPET (T:1.55)	16	
12-9	12892-05C00-160	SHIM , TAPPET (T:1.60)	16	
12-10	12892-05C00-165	SHIM , TAPPET (T:1.65)	16	
12-11	12892-05C00-170	SHIM , TAPPET (T:1.70)	16	
12-12	12892-05C00-175	SHIM , TAPPET (T:1.75)	16	
12-13	12892-05C00-180	SHIM , TAPPET (T:1.80)	16	
12-14	12892-05C00-185	SHIM , TAPPET (T:1.85)	16	
12-15	12892-05C00-190	SHIM , TAPPET (T:1.90)	16	
12-16	12892-05C00-195	SHIM , TAPPET (T:1.95)	16	
12-17	12892-05C00-200	SHIM , TAPPET (T:2.00)	16	
12-18	12892-05C00-205	SHIM , TAPPET (T:2.05)	16	
12-19	12892-05C00-210	SHIM , TAPPET (T:2.10)	16	
12-20	12892-05C00-215	SHIM , TAPPET (T:2.15)	16	
12-21	12892-05C00-220	SHIM , TAPPET (T:2.20)	16	

FIG.126A

2

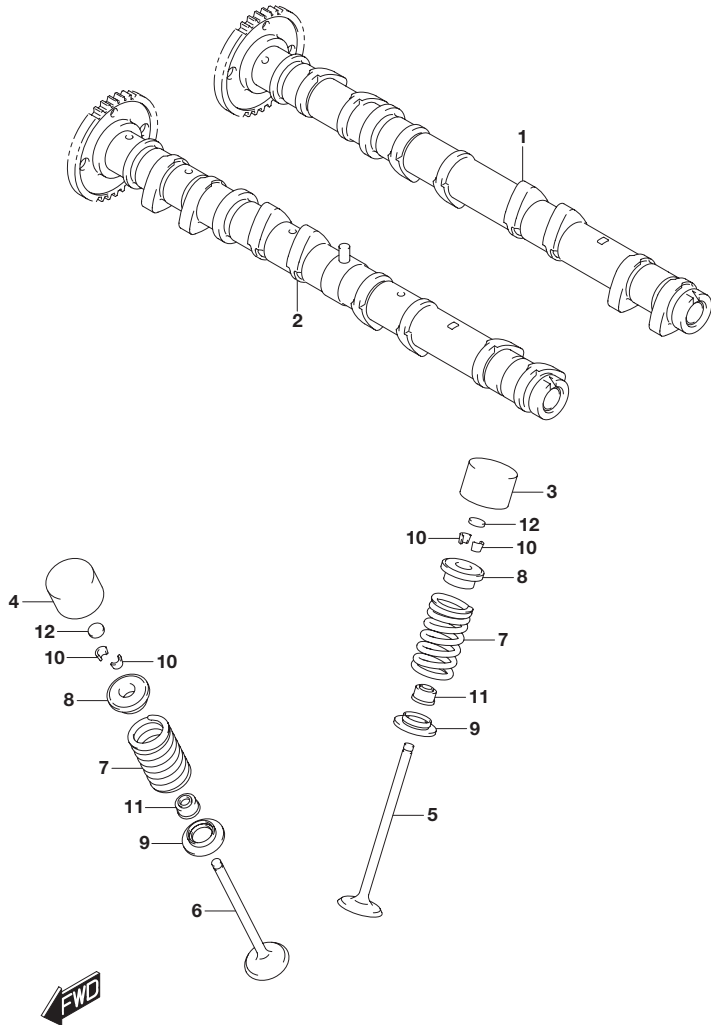


FIG.126A (1-B-13) CAMSHAFT/VALVE

REF NO.	PART NO.	DESCRIPTION	Q'TY	REMARKS
13	12800-05830	SHIM SET ,TAPPET T:1.20 ,1.25...2.95 ,3.00 (5PCS.EACH)& CASE	1	OPT NOT ILLUSTRATED
14	99000-69491	.CASE ,TAPPET SHIM	1	OPT NOT ILLUSTRATED

FIG.127A

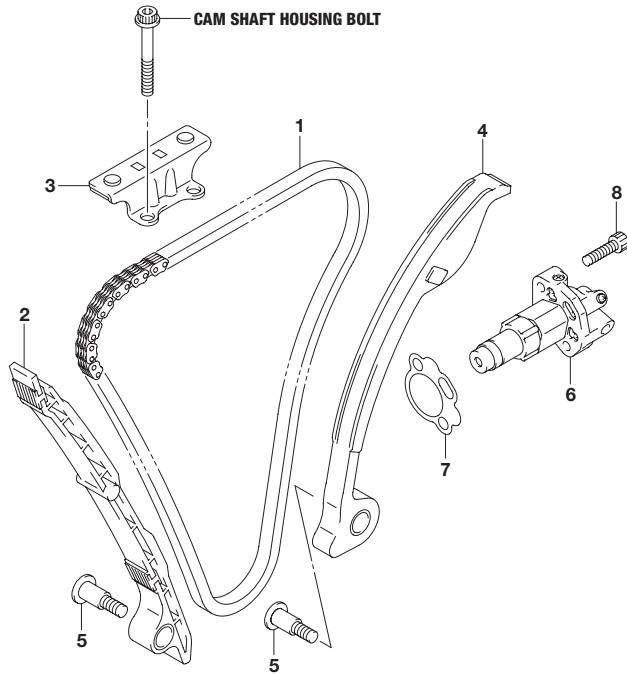


FIG.127A (1-B-14) CAM CHAIN

REF NO.	PART NO.	DESCRIPTION	Q'TY	REMARKS
1	12760-39F00	CHAIN , CAM SHAFT DRIVE	1	
2	12771-37H00	GUIDE , CAM CHAIN NO.1	1	
3	12782-29G00	GUIDE , CAM CHAIN NO.2	1	
4	12811-02H00	TENSIONER , CAM CHAIN	1	
5	12812-31G00	BOLT	2	
6	12830-37H00	ADJUSTER ASSY , TENSIONER	1	
7	12837-02H00	GASKET , TENSIONER ADJUSTER	1	
8	07130-0625A	BOLT	2	



FIG.140A

2

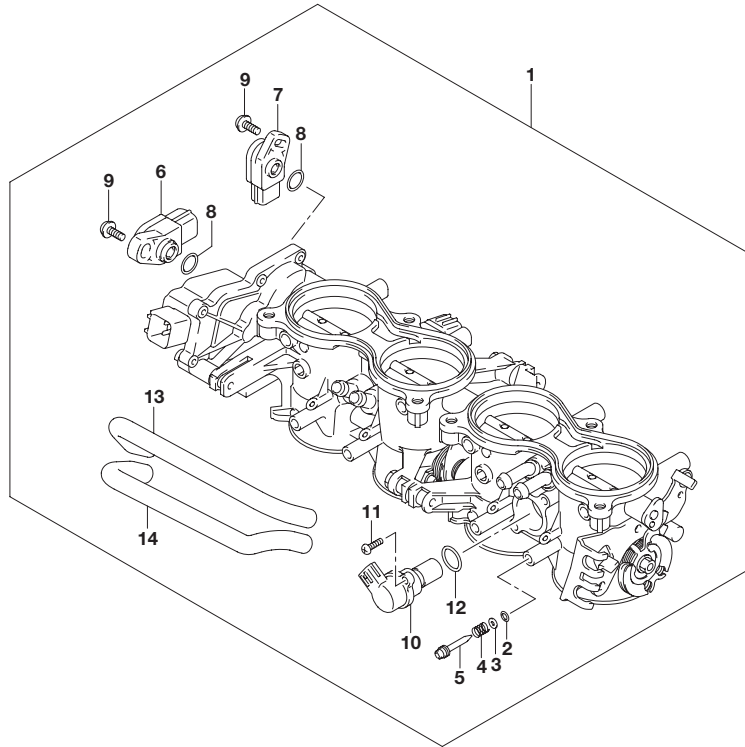


FIG.140A (1-B-15) THROTTLE BODY

REF NO.	PART NO.	DESCRIPTION	Q'TY	REMARKS
1	13406-15J20	BODY ASSY ,THROTTLE	1	
2	13295-29900	.O RING	4	
3	13606-47A00	.WASHER	4	
4	13268-48700	.SPRING ,THROTTLE SCREW	4	
5	13269-33E00	.SCREW	4	
6	13580-14J00	.SENSOR ASSY	1	
7	13580-14J10	.SENSOR ASSY	1	
8	13575-29G00	.O RING	2	
9	13605-02F00	.SCREW	2	
10	18117-14J01	.MOTOR ASSY	1	
11	13605-37H00	.SCREW	2	
12	13679-37H00	.O RING	1	
13	13698-14J00	.HOSE	1	
14	13698-14J10	.HOSE	1	



FIG.142A

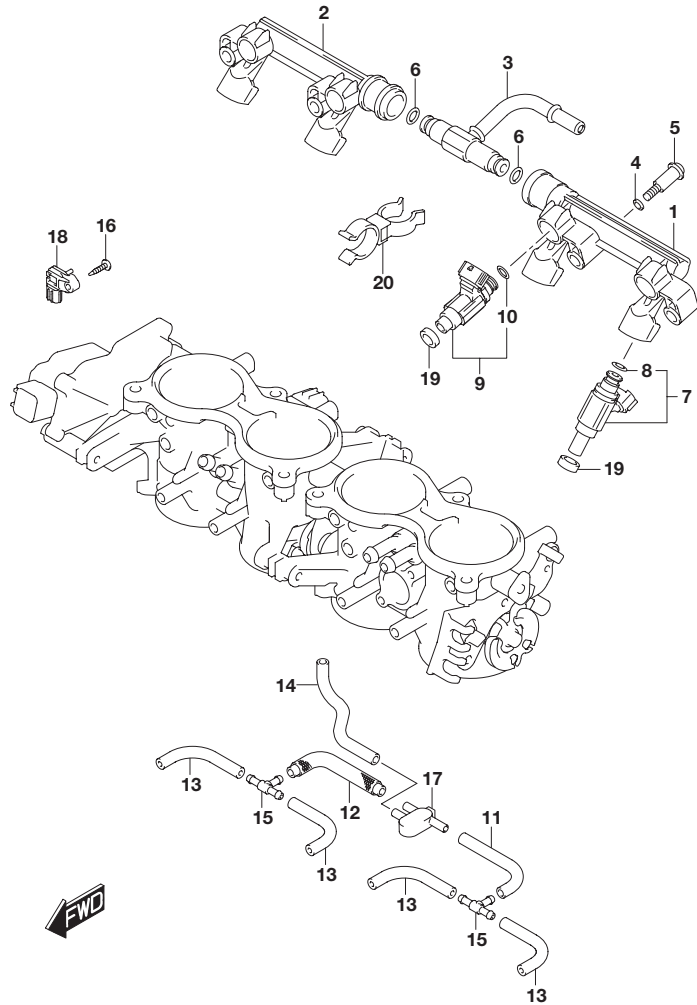


FIG.142A (1-C-2) THROTTLE BODY HOSE/JOINT

REF NO.	PART NO.	DESCRIPTION	Q'TY	REMARKS
1	13473-14J00	DELIVERY PIPE ASSY	1	
2	13473-14J10	DELIVERY PIPE ASSY	1	
3	13473-29G00	NIPPLE ASSY	1	
4	13602-29G00	PACKING	4	
5	13601-29G00	SCREW	4	
6	15721-08J00	O RING	2	
7	15710-14J00	INJECTOR ASSY	4	
8	15717-58B00	.O RING	4	
9	15710-14J10	INJECTOR ASSY	4	
10	15717-58B00	.O RING	4	
11	13683-14J00	HOSE	1	
12	13683-14J10	HOSE	1	
13	13683-10F60	HOSE	4	
14	13683-29G00	HOSE	1	
15	13685-02FA0	NIPPLE	2	
16	13437-14J00	SCREW	1	
17	13471-18H00	JOINT	1	
18	15620-29G00	SENSOR ,BOOST	1	
19	15722-14J00	SEAL	8	
20	09408-00262	CLAMP	1	

FIG.155A

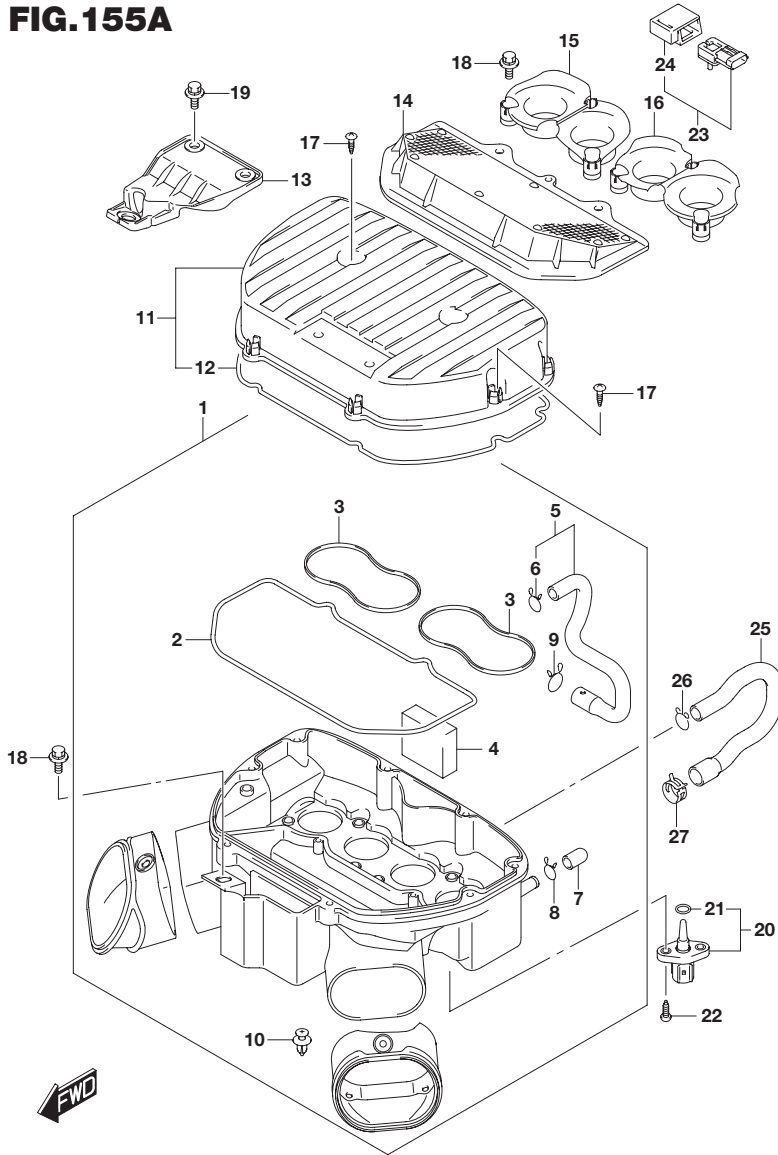


FIG.155A (1-C-3) AIR CLEANER

REF NO.	PART NO.	DESCRIPTION	Q'TY	REMARKS
1	13720-14J00	CLEANER ASSY ,AIR	1	
2	13756-14J00	.GASKET ,CASE	1	
3	13757-14J00	.GASKET ,CASE	2	
4	13788-14J00	.FILTER BREATHER	1	
5	13850-14J00	.TUBE ,BREATHER	1	
6	09401-15101	..CLIP	1	
7	13878-10G00	.PLUG	1	
8	09401-14301	.CLIP	1	
9	09401-17201	.CLIP	1	
10	09409-07305-5PK	.CLIP (BLACK)	1	
11	13740-14J00	CAP ,AIR CLEANER	1	
12	13746-14J00	.GASKET ,CAP	1	
13	13760-14J00	HOLDER ,AIR CLEANER	1	
14	13780-14J00	FILTER ASSY	1	
15	13881-15J00	FUNNEL ,OUTLET R	1	
16	13882-15J00	FUNNEL ,OUTLET L	1	
17	03541-0520A	SCREW	10	
18	13831-47H00	BOLT ,AIR CLEANER CASE	6	
19	09111-06089	BOLT (6X16)	3	
20	13650-14G10	SENSOR ,AIR TEMPERATURE	1	
21	13655-14G10	.O RING	1	
22	03511-0516A	SCREW	2	
23	15630-29G10	SENSOR ,AIR PRESSURE	1	
24	15625-29G00	.COVER	1	
25	13697-14J00	HOSE ,ISC VALVE	1	
26	09401-15101	CLIP	1	
27	09401-17401	CLIP	1	

FIG.163A

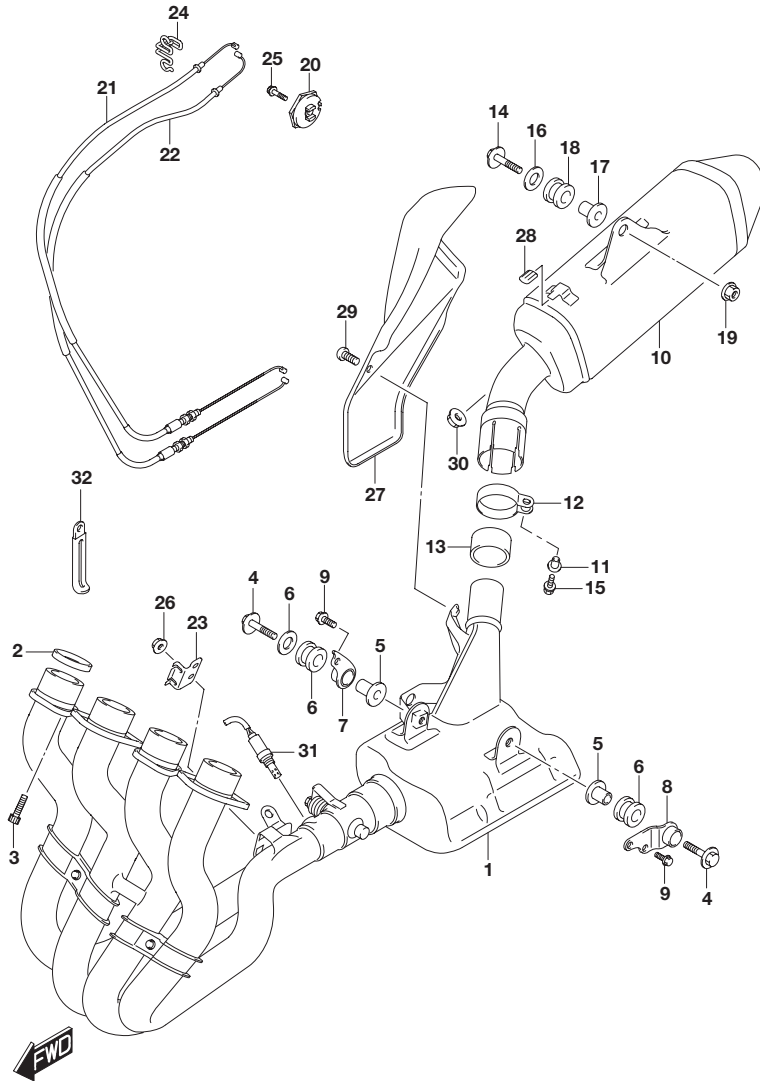


FIG.163A (1-C-4) MUFFLER

REF NO.	PART NO.	DESCRIPTION	Q'TY	REMARKS
1	14100-15J00	EXHAUST	1	
2	14181-46E00	GASKET ,EXHAUST PIPE	4	
3	09106-08165	BOLT (8X25)	8	
4	09118-08152-A05	BOLT (8X45)	2	
5	09180-08152	SPACER (8.6X12X24.2)	2	
6	09320-12077	CUSHION	2	
7	14770-14J00	BRACKET ,CHAMBER SPRT R	1	
8	14773-14J00	BRACKET ,CHAMBER SPRT L	1	
9	01550-0816A	BOLT	3	
10	14310-15J00-H01	BODY ,MUFFLER	1	
11	14458-14J00	SPACER ,MUFFLER CLAMP	1	
12	14459-21H40	CLAMP ,MUFFLER CONNECTOR	1	
13	14771-42F10	CONNECTOR ,MUFFLER	1	
14	09103-08358	BOLT (8X45)	1	
15	09103-08392	BOLT (8X40)	1	
16	09160-08142	WASHER (8.5X28X1.5)	1	
17	09180-08152	SPACER (8.6X12X24.2)	1	
18	09320-12048	CUSHION	1	
19	08361-2508A	NUT	1	
20	11269-18G01	PULLEY ,CONTROLLER	1	
21	11276-14J00	CABLE ,EXH VALVE NO.1	1	
22	11277-14J00	CABLE ,EXH VALVE NO.2	1	
23	14250-21H00	BRACKET ,EXH VALVE CABLE	1	
24	14252-14J00	GUIDE ,EXH VALVE CABLE	1	
25	01547-0516A	BOLT	1	
26	08316-1006A	NUT	1	
27	14780-14J00	COVER ,MUF FR	1	
28	14795-10FA0	GROMMET	1	
29	09139-06172	SCREW (6X10)	1	
30	09320-08066	CUSHION	2	
31	18213-23H01	SENSOR ,OXYGEN	1	
32	09404-06429	CLAMP (L:45)	1	

FIG.172A

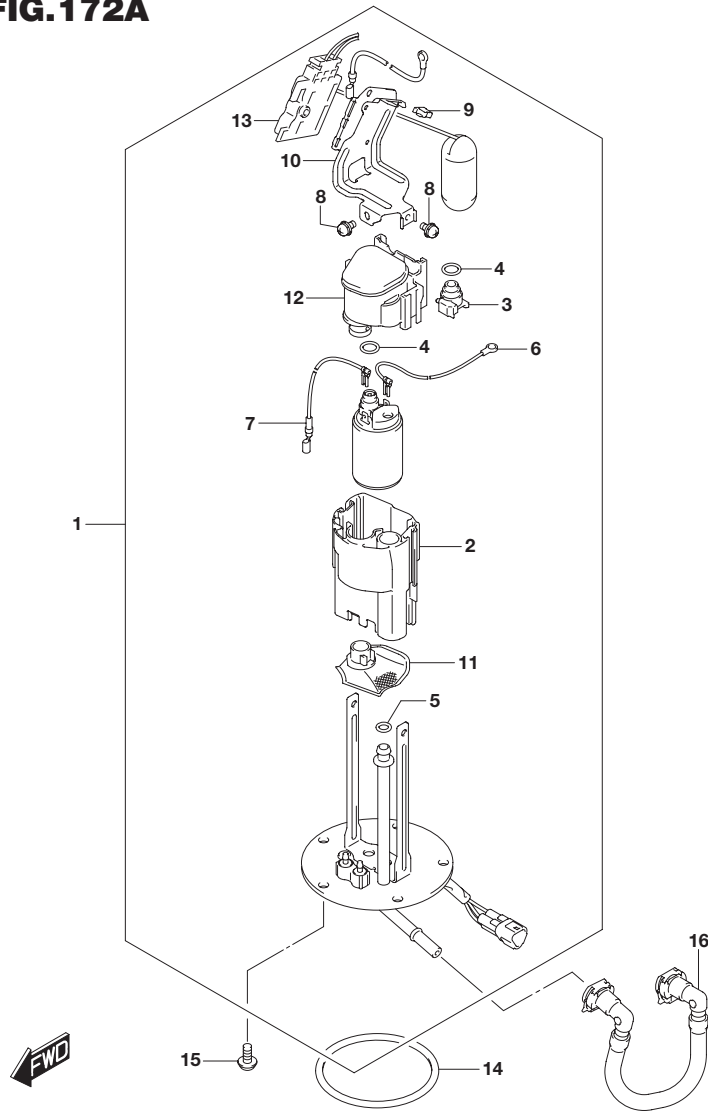


FIG.172A (1-C-5) FUEL PUMP

REF NO.	PART NO.	DESCRIPTION	Q'TY	REMARKS
1	15100-14J00	PUMP ASSY ,FUEL	1	
2	15111-27G00	.CUP ,RESERVOIR	1	
3	15112-05H00	.JOINT	1	
4	15113-05H00	.O RING	2	
5	15113-35F00	.O RING	1	
6	15114-14J00	.WIRE ,EARTH	1	
7	15115-14J00	.WIRE ,LEAD	1	
8	15116-10F00	.SCREW	3	
9	15119-23H00	.SADDLE ,EDGE	1	
10	15181-14J00	.BRACKET ,GAUGE	1	
11	15420-05H00	.STRAINER	1	
12	15610-14J00	.REGULATOR	1	
13	34810-14J00	.GAUGE ASSY ,FUEL LEVEL	1	
14	15201-35F00	O - RING	1	
15	07120-0612A	BOLT	5	
16	15810-14J00	HOSE ,FUEL	1	

FIG.178A

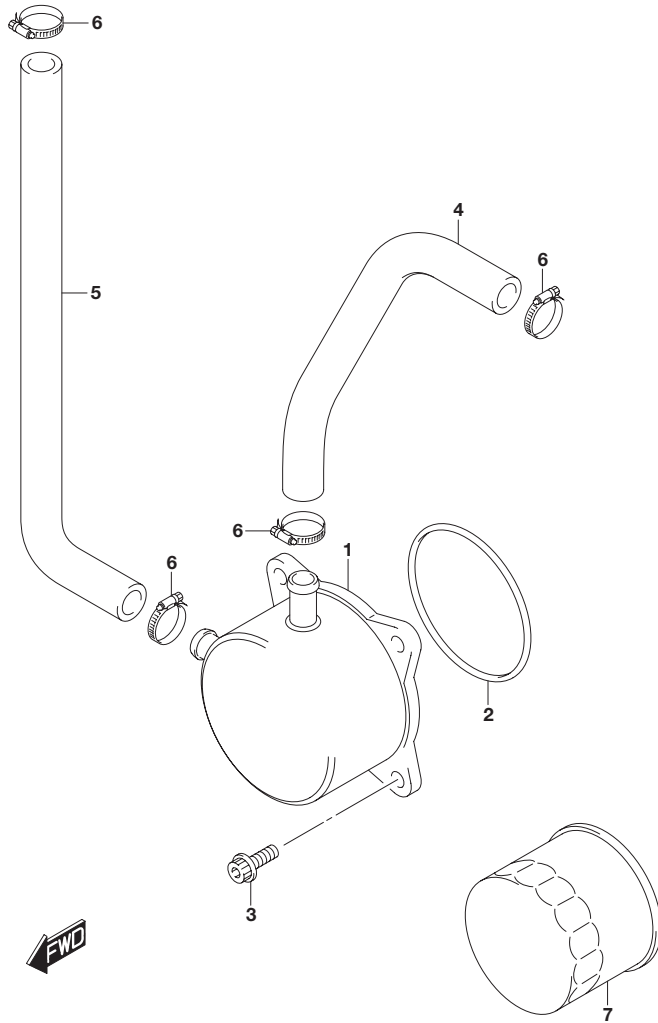


FIG.178A (1-C-6) OIL COOLER

REF NO.	PART NO.	DESCRIPTION	Q'TY	REMARKS
1	16600-01H00	COOLER ASSY ,OIL	1	
2	09280-64003	O RING (D:3.1 ,ID:63.9)	1	
3	09106-06099	BOLT (6X16)	4	
4	16461-01H00	HOSE ,INLET	1	
5	16471-14J00	HOSE ,OUTLET	1	
6	09402-22512	CLAMP	4	
7	16510-07J00	FILTER ASSY ,ENGINE OIL	1	

FIG.180A

2

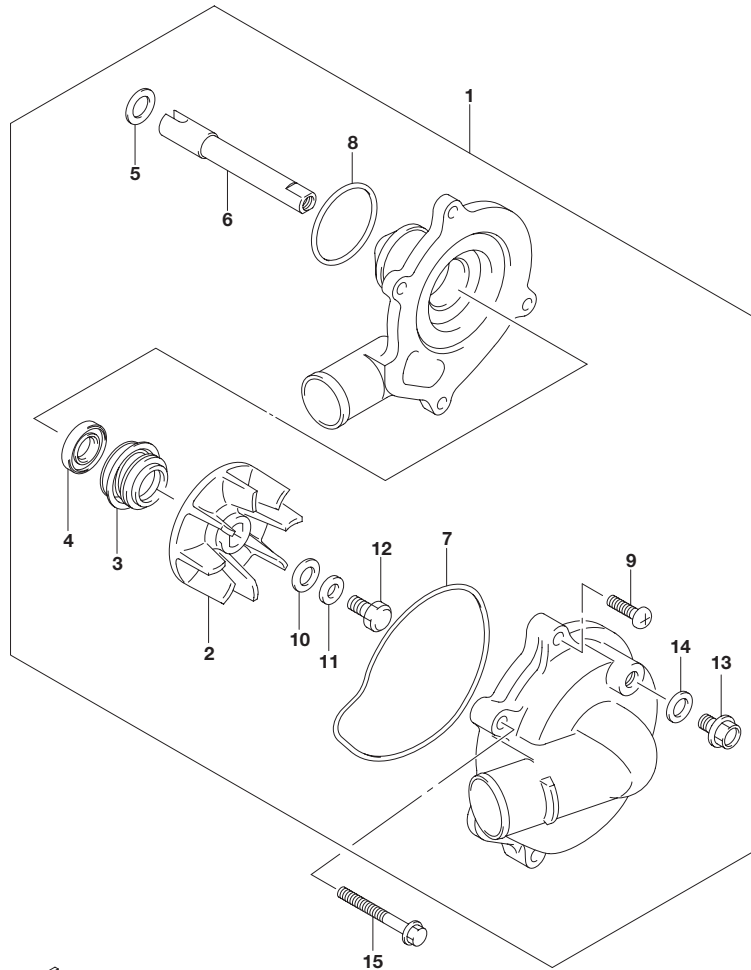


FIG.180A (1-C-7) WATER PUMP

REF NO.	PART NO.	DESCRIPTION	Q'TY	REMARKS
1	17400-01H10	PUMP ASSY ,WATER	1	
2	17491-01H00	.IMPELLER	1	
3	17470-02F10	.SEAL ,MECHANICAL	1	
4	17461-01H00	.SEAL ,OIL	1	
5	17432-07G00	.WASHER	1	
6	17511-01H00	.SHAFT	1	
7	17418-33400	.O RING	1	
8	17435-33400	.O RING	1	
9	02112-0616A	.SCREW	2	
10	09168-06025	.GASKET (6X15X2.2)	1	
11	09164-06006	.WASHER	1	
12	09100-06099	.BOLT (6X13)	1	
13	17415-20920	.BOLT ,DRAIN	1	
14	09168-08016	.GASKET (8.2X14X1)	1	
15	01547-0635A	BOLT	2	

FIG.185A

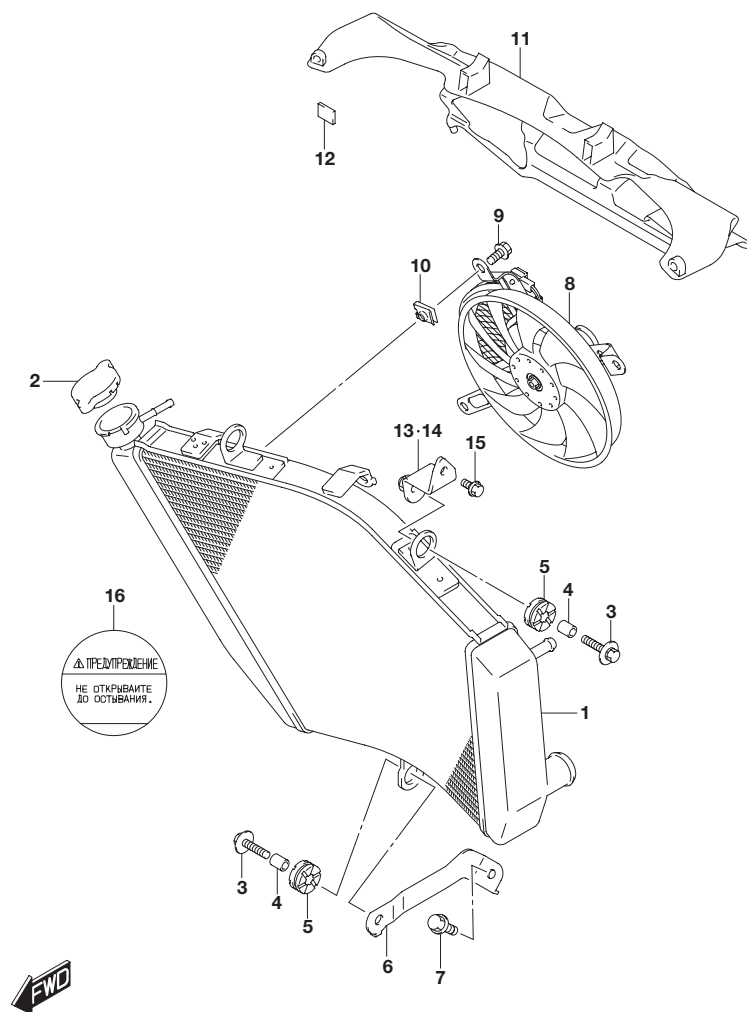


FIG.185A (1-C-8) RADIATOR

REF NO.	PART NO.	DESCRIPTION	Q'TY	REMARKS
1	17710-14J00	RADIATOR ASSY ,WATER	1	
2	17730-14G00	CAP	1	
3	09118-06097	BOLT (6X25)	3	
4	09180-06290	SPACER (6.5X10X12)	3	
5	09320-10051	CUSHION	3	
6	17750-14J00	BRACKET	1	
7	01550-0612A	BOLT	1	
8	17800-14J00	FAN ASSY ,RADIATOR	1	
9	17711-14G00	BOLT	3	
10	17802-14F00	NUT	2	
11	17771-14J00	SHIELD ,HEAT	1	
12	61544-94500	CUSHION ,HEAT SHIELD	2	
13	17741-14J00	BRACKET ,RADIATOR UPPER RH	1	
14	17742-14J00	BRACKET ,RADIATOR UPPER LH	1	
15	01550-0616A	BOLT	2	
16	17995-14JP0	LABEL , RADIATOR CAP	1	

2

FIG.187A

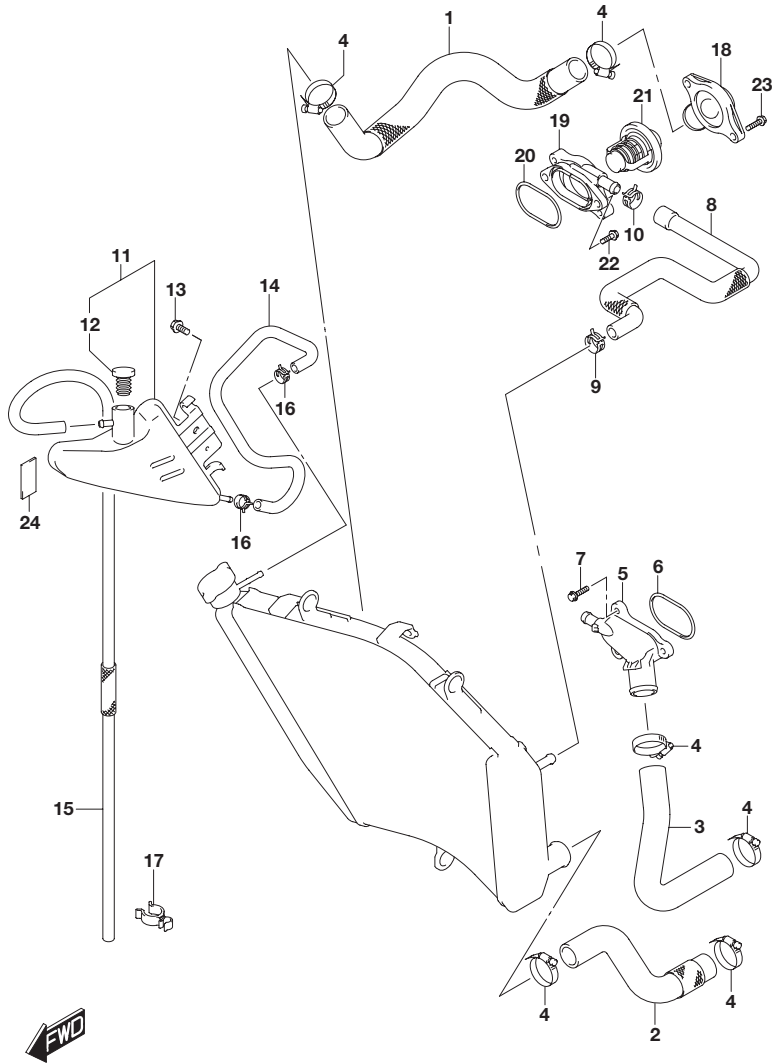
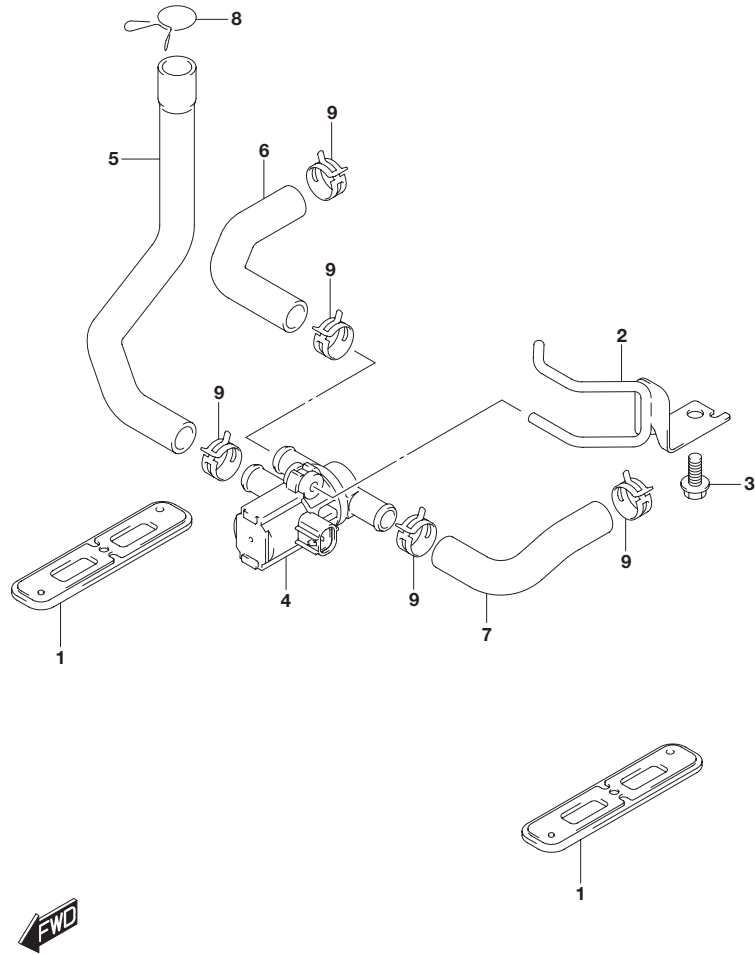


FIG.187A (1-C-9) RADIATOR HOSE

REF NO.	PART NO.	DESCRIPTION	Q'TY	REMARKS
1	17851-14J00	HOSE ,RADIATOR INLET	1	
2	17852-14J00	HOSE ,RADIATOR OUTLET	1	
3	17853-14J00	HOSE ,CYLINDER INLET	1	
4	09402-35501	CLAMP	6	
5	17861-01H00	CONNECTOR , CYLINDER INLET	1	
6	17863-01H00	O - RING	1	
7	01547-0620A	BOLT	3	
8	17854-14J00	HOSE ,WATER BYPASS	1	
9	09401-12414	CLAMP	1	
10	09401-14403	CLIP	1	
11	17910-14J00	TANK ASSY ,RESERVOIR	1	
12	17931-02FA0	.CAP	1	
13	09111-06085	BOLT (6X12)	1	
14	17981-18G00	HOSE	1	
15	17982-37H00	HOSE	1	
16	09401-08411	CLIP	2	
17	09404-06429	CLAMP (L:45)	1	
18	17661-37H00	COVER ,THERMOSTAT	1	
19	17662-01H00	CONNECTOR	1	
20	17663-01H00	O - RING	1	
21	17670-76G00	THERMOSTAT ,WATER	1	
22	01547-0620A	BOLT	2	
23	01550-0625A	BOLT	2	
24	46312-31D11	CUSHION ,RSVR TANK	1	CUT AS REQUIRED

FIG.189A

FIG.189A (1-C-10) 2ND AIR



REF NO.	PART NO.	DESCRIPTION	Q'TY	REMARKS
1	18450-01H00	VALVE ASSY ,2ND AIR REED	2	
2	18610-14J00	BRACKET ,2ND AIR VALVE	1	
3	01550-0616A	BOLT	1	
4	18510-29G31	VALVE ASSY ,AIR CUT	1	
5	18711-14J00	HOSE ,2ND AIR CLEANER	1	
6	18461-14J00	HOSE ,2ND AIR VALVE ,R	1	
7	18471-14J00	HOSE ,2ND AIR VALVE ,L	1	
8	09401-17201	CLIP	1	
9	09401-17401	CLIP	5	

2

FIG.201A

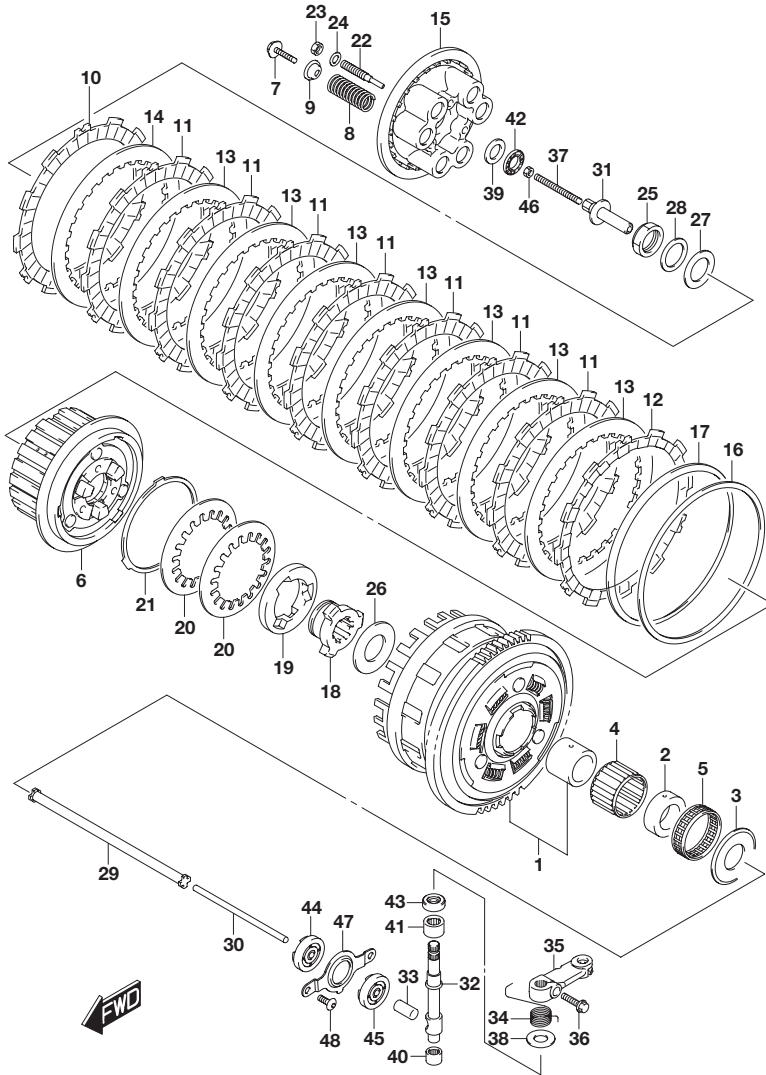


FIG.201A (1-C-11) CLUTCH

REF NO.	PART NO.	DESCRIPTION	Q'TY	REMARKS
1	21200-01840	GEAR ASSY ,PRIMARY DRIVEN	1	NT:74
2	21253-01H10	SPACER , OIL PUMP DRIVE	1	
3	09160-25073	WASHER (25X54X2.4)	1	
4	09263-35015	BEARING (35X40X26.8)	1	
5	09263-35045	BEARING (35X40X12)	1	
6	21410-41G30	HUB ,CLUTCH SLEEVE	1	
7	21412-06G00	BOLT ,CLUTCH SPRING	6	
8	21413-01H10	SPRING ,CLUTCH	6	
9	21414-29F00	WASHER	6	
10	21441-36F10	PLATE ,CLUTCH DRIVE NO.2 (T:2.8)	1	
11	21441-36F30	PLATE ,CLUTCH DRIVE NO.1 (T:2.8)	7	
12	21442-41G00	PLATE ,CLUTCH DRIVE NO.3 (T:2.8)	1	
13	21451-41G10	PLATE ,CLUTCH DRIVEN NO.1 (T:2.0)	7	
14	21451-41G30	PLATE ,CLUTCH DRIVEN NO.2 (T:1.6)	1	
15	21462-41G00	DISC ,CLUTCH PRESSURE	1	
16	21471-41G00	SEAT ,WAVE WASHER	1	
17	21472-41G20	WASHER ,CLUTCH PLATE WAVE	1	
18	21611-41G30	CAM ,CLUTCH DRIVE	1	
19	21612-41G10	CAM ,CLUTCH DRIVEN	1	
20	21621-41G00	WASHER ,CAM REACTION WAVE	2	
21	21624-41G00	WASHER ,CAM REACTION SEAT	1	
22	21622-41G00	LIFTER ,CLUTCH PRESCURE DISC	3	
23	21623-41G00	NUT ,CL PRESS DISC	3	
24	09181-08139	SHIM (8.8X14X1)	3	
25	09159-24010	NUT	1	
26	09160-25056	WASHER (25X50X2.5)	1	
27	09164-24008	WASHER	1	
28	09160-25077	WASHER (25X41X2.5)	1	

FIG.201A

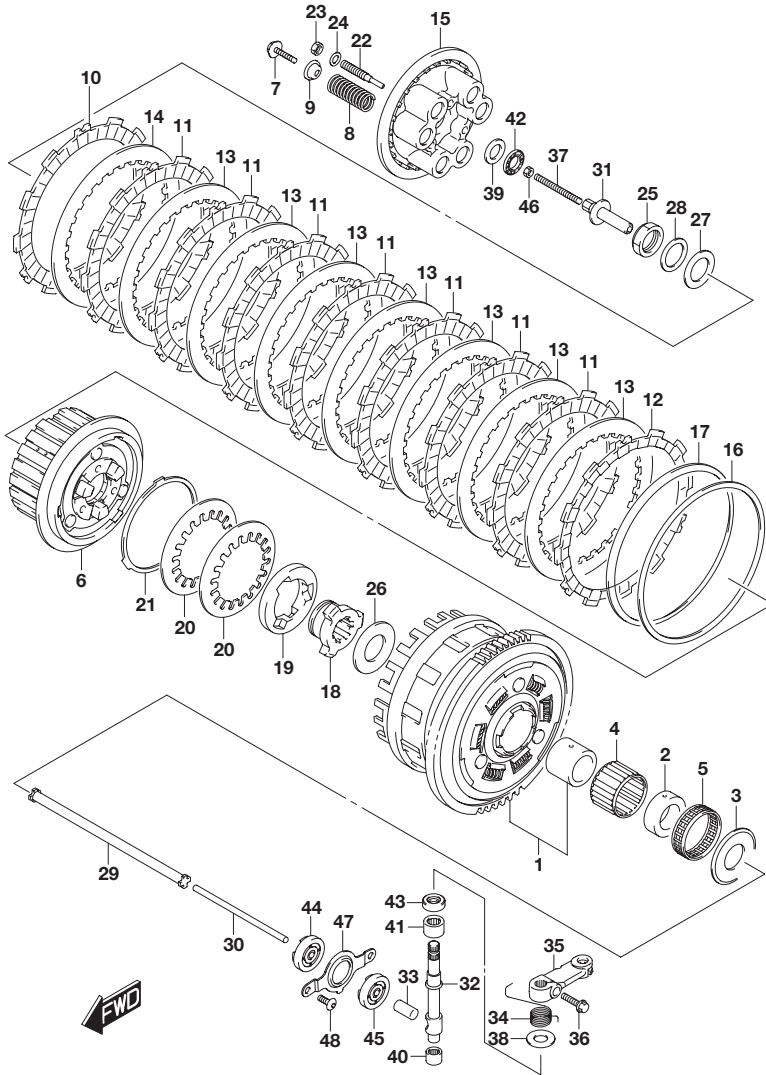


FIG.201A (1-C-12) CLUTCH

REF NO.	PART NO.	DESCRIPTION	Q'TY	REMARKS
29	23110-38B00	ROD ,CLUTCH PUSH RH	1	
30	23111-35F00	ROD ,CLUTCH PUSH LH	1	
31	23121-41G00	PIECE ,CLUTCH PUSH	1	
32	23122-41G10	CAMSHAFT ,CLUTCH RELEASE	1	
33	23123-41G00	CAP ,CLUTCH PUSH ROD	1	
34	23125-41G00	SPRING ,CLUTCH RELEASE	1	
35	23271-41G21	ARM ,CLUTCH RELEASE	1	
36	09103-06223	BOLT (6X20)	1	
37	09134-06015	SCREW (6X73)	1	
38	09160-10020	WASHER (10.5X24X1)	1	
39	09160-15045	WASHER (15.5X28X1)	1	
40	09263-10014	BEARING (10X14X10)	1	
41	09263-12027	BEARING (12X18X12)	1	
42	09263-15003	BEARING (15X28X2)	1	
43	09282-10012	OIL SEAL (10X20X6)	1	
44	09283-06010	OIL SEAL (6X34X10.5)	1	
45	09285-10004	OIL SEAL (10X17X5)	1	
46	08310-0006A	NUT	1	
47	24741-01H00	RETAINER ,CL PUSH ROD	1	
48	09139-06153	SCREW (6X13)	2	

FIG.206A

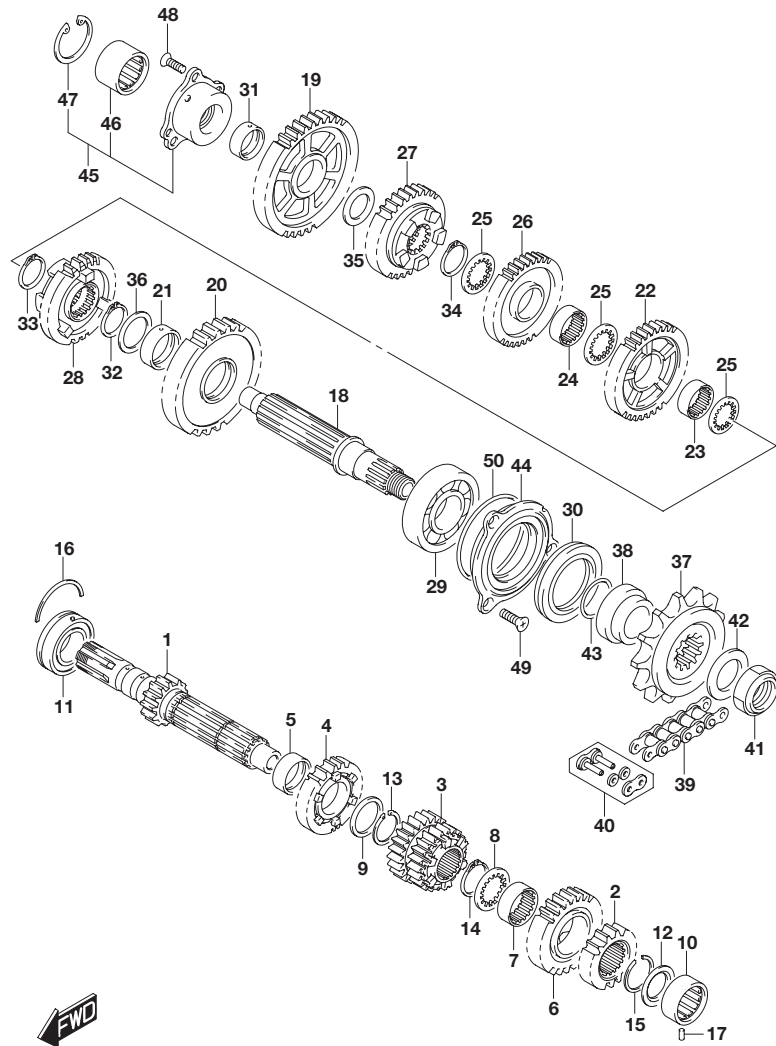


FIG.206A (1-C-13) TRANSMISSION

REF NO.	PART NO.	DESCRIPTION	Q'TY	REMARKS
1	24120-15J00	SHAFT ,COUNTER(NT:14)	1	
2	24221-35F00	GEAR ,2ND DRIVE(NT:19)	1	
3	24231-01H00	GEAR ,3RD & 4TH(NT:21/24)	1	
4	24251-01H00	GEAR ,5TH DRIVE(NT:23)	1	
5	24252-35F00	BUSH 5TH DRIVE GEAR	1	
6	24261-01H01	GEAR ,6TH DRIVE(NT:24)	1	
7	24262-35F10	BUSH ,6TH DRIVE GEAR	1	
8	09167-27001	LOCK WASHER	1	
9	09160-27008	WASHER (27X36X1)	1	
10	09263-20087	BEARING (20X34X13.5)	1	LH
11	09262-25150	BEARING (25X62X17)	1	RH
12	09285-20006	OIL SEAL (20X31.2X2.7)	1	
13	09380-27006	CIRCLIP	1	
14	09380-27006	CIRCLIP	1	
15	09380-27004	CIRCLIP	1	
16	09390-62012	C RING	1	
17	09261-06003	PIN(6X10)	1	
18	24131-14J00	SHAFT ,DRIVE	1	
19	24311-35F20	GEAR ,1ST DRIVEN(NT:39)	1	
20	24321-35F11	GEAR ,2ND DRIVEN(NT:39)	1	
21	24322-35F00	BUSH ,2ND DRIVEN	1	
22	24331-40F30	GEAR ,3RD DRIVEN(NT:36)	1	
23	24332-46H00	BUSH ,3RD DRIVEN	1	
24	24332-46H00	BUSH ,4TH DRIVEN GEAR	1	
25	24333-02F00	WASHER ,3RD & 4TH DRIVEN	3	
26	24341-40F20	GEAR ,4TH DRIVEN(NT:36)	1	
27	24351-01H20	GEAR ,5TH DRIVEN(NT:31)	1	
28	24361-01H00	GEAR ,6TH DRIVEN(NT:29)	1	
29	09262-28045	BEARING (28X68X18)	1	LH
30	09283-42018	OIL SEAL(42X62X7)	1	

FIG.206A

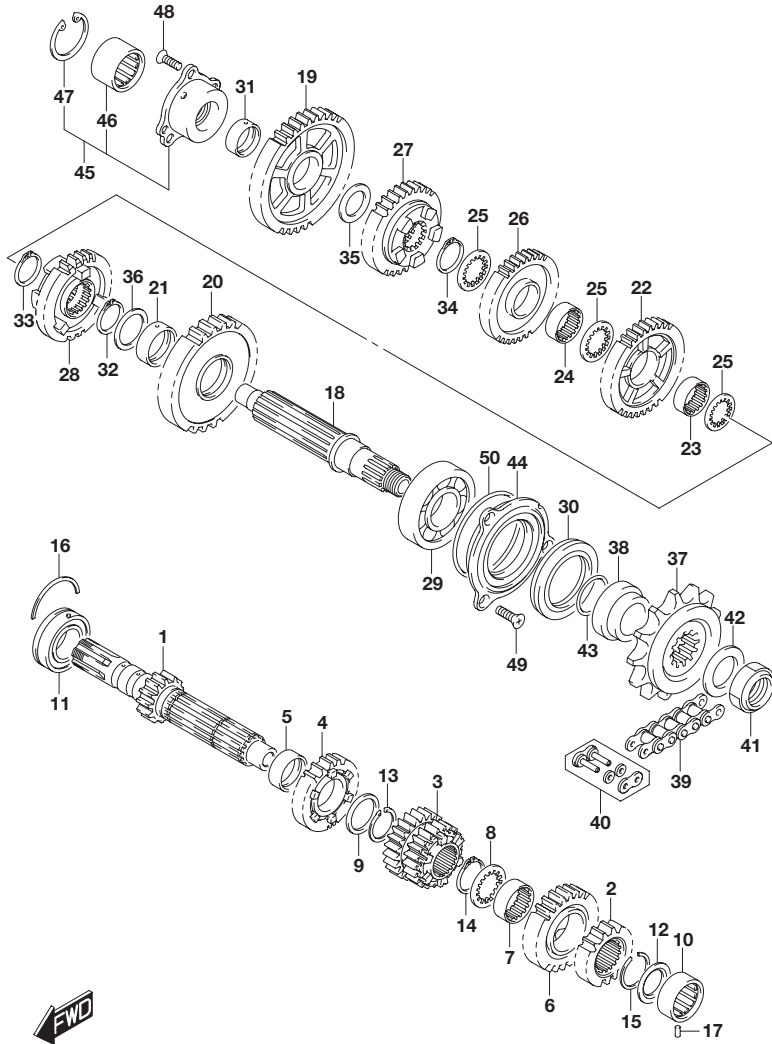


FIG.206A (1-C-14) TRANSMISSION

REF NO.	PART NO.	DESCRIPTION	Q'TY	REMARKS
31	09300-22008	BUSH (22X26X9)	1	
32	09380-27006	CIRCLIP	1	
33	09380-27006	CIRCLIP	1	
34	09380-27006	CIRCLIP	1	
35	09181-22223	SHIM (22X34X1)	1	
36	09160-27008	WASHER (27X36X1)	1	
37	27510-20A20	SPROCKET ,ENGINE (NT:17)	1	
38	27531-14J00	SPACER ,ENGINE SPROCKET	1	
39	27600-33E40-116	CHAIN ASSY (RK GB525ROZ5Y)	1	
40	27620-33E40	JOINT SET	1	OPT
41	09159-20004	NUT	1	
42	09160-25009	WASHER (25X41X3)	1	
43	09280-24010	O RING (D:2.4 ,D:23.7)	1	
44	24751-14J00	RETAINER ,DRIVE SHAFT LH	1	
45	24771-01810	HOUSING ,DRIVE SHAFT SET	1	
46	09263-20069	.BEARING (20X34X17.5)	1	
47	08331-41349	.CIRCLIP	1	
48	09139-06159	SCREW (6X20)	3	
49	09139-06159	SCREW (6X20)	3	
50	09280-68010	O RING (D:1.8 ,D:67.5)	1	

FIG.212A

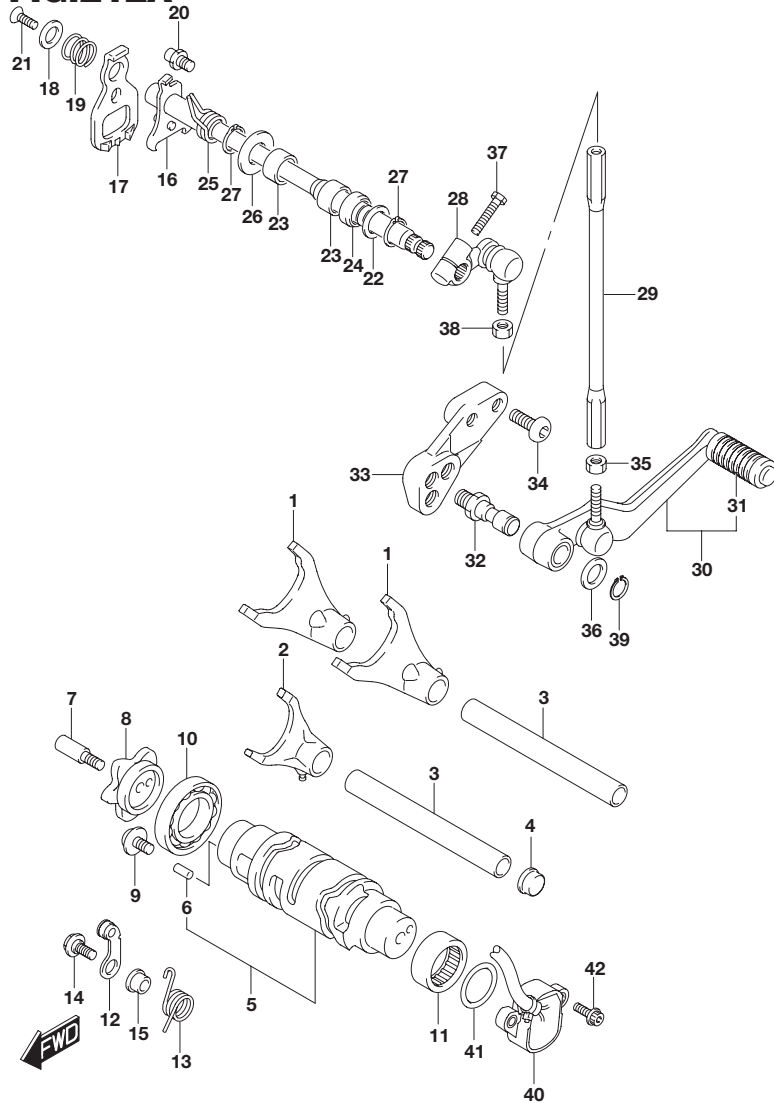


FIG.212A (1-C-15) GEAR SHIFTING

REF NO.	PART NO.	DESCRIPTION	Q'TY	REMARKS
1	25211-01H01	FORK ,GEAR SHIFT ,NO.1	2	
2	25231-01H01	FORK ,GEAR SHIFT ,NO.3	1	
3	25411-35F00	SHAFT ,GEAR SHIFT FORK	2	
4	25712-37H00	PLUG ,GEAR SHIFT FORK	1	
5	25310-01H00	CAM ,GEAR SHIFT	1	
6	04221-04089	.PIN	1	
7	25312-42F01	BOLT ,GEAR SHIFT CAM	1	
8	25381-13E30	PLATE ,GEAR SHIFT CAM	1	
9	09136-06147	SCREW (6X12)	2	
10	09262-25006	BEARING (25X47X8)	1	
11	09263-25018	BEARING (25X32X12)	1	
12	25350-06G00	STOPPER ,SHIFT CAM	1	
13	25355-01H00	SPRING ,SHIFT CAM STOPPER	1	
14	25357-01H00	BOLT ,SHIFT CAM	1	
15	25358-01H00	SPACER ,CAM STOPPER	1	
16	25510-01H00	SHAFT ,GEAR SHIFT	1	
17	25512-06G10	PLATE ,GEAR SHIFT CAM	1	
18	25519-01H00	WASHER ,GEAR SHIFT	1	
19	25518-01H00	SPRING ,GEAR SHIFT RETURN	1	
20	25671-01011	STOPPER ,GEAR SHIFT ARM	1	
21	09126-06014	SCREW (6X16)	1	
22	09160-14016	WASHER (14X29X0.8)	1	LH
23	09263-14027	BEARING (14X20X12)	2	
24	09283-14005	OIL SEAL (14X22X7.3)	1	
25	09444-20001	SPRING	1	
26	09181-14195	SHIM (14X24X1)	1	
27	08331-3114A	CIRCLIP	2	
28	25520-01H00	ARM ,GEAR SHIFT LINK	1	
29	25525-01H00	ROD ,GEAR SHIFT LINK	1	

FIG.212A

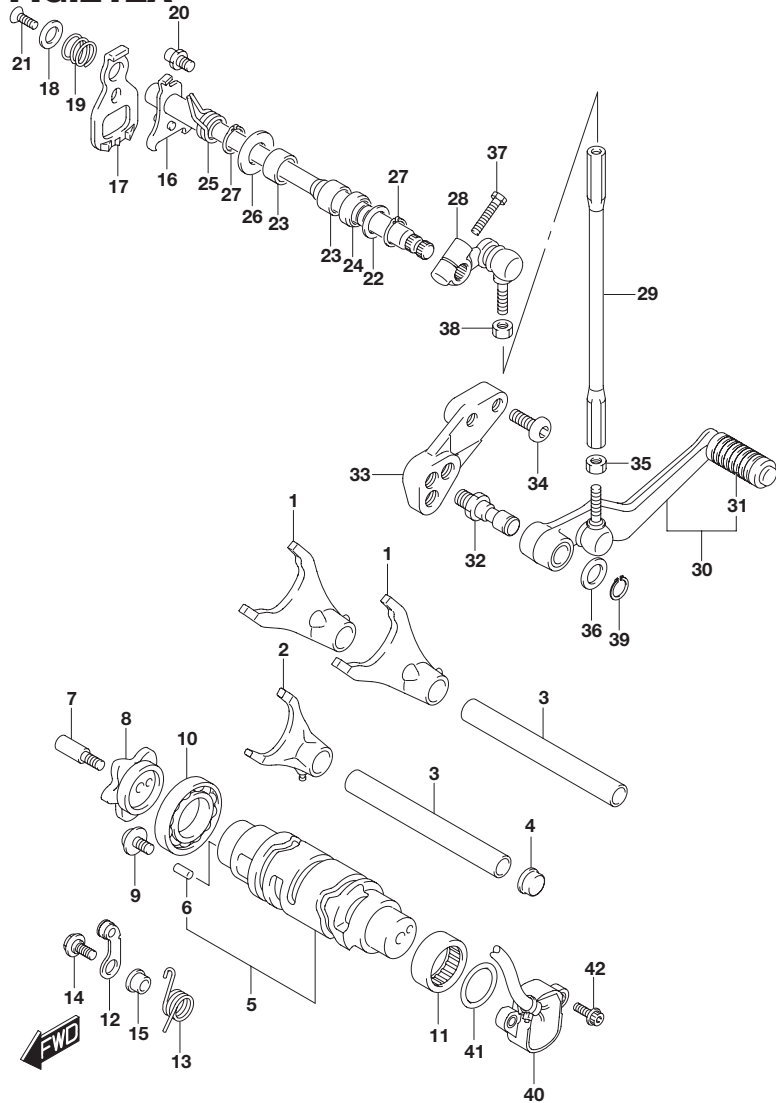


FIG.212A (1-D-2) GEAR SHIFTING

REF NO.	PART NO.	DESCRIPTION	Q'TY	REMARKS
30	25600-14J00	LEVER ASSY ,GEAR SHIFT	1	
31	25652-20C00	.RUBBER ,GEAR PEDAL	1	
32	25617-03F10	SHAFT ,GEAR SHIFT LEVER	1	
33	25681-14J00	BRACKET ,GEAR SHIFT LEVER	1	
34	09106-08167	BOLT (8X20)	2	
35	09140-06025	NUT	1	
36	09160-12011	WASHER(12.5X20X1)	1	
37	01500-0625A	BOLT	1	
38	08310-0006A	NUT	1	
39	08331-3112A	CIRCLIP	1	
40	37730-14J00	SENSOR ASSY ,GEAR POSITION	1	
41	09280-26005	O RING (D:2.4 ,ID:26.2)	1	
42	09106-05023	BOLT (5X16)	2	

FIG.301A

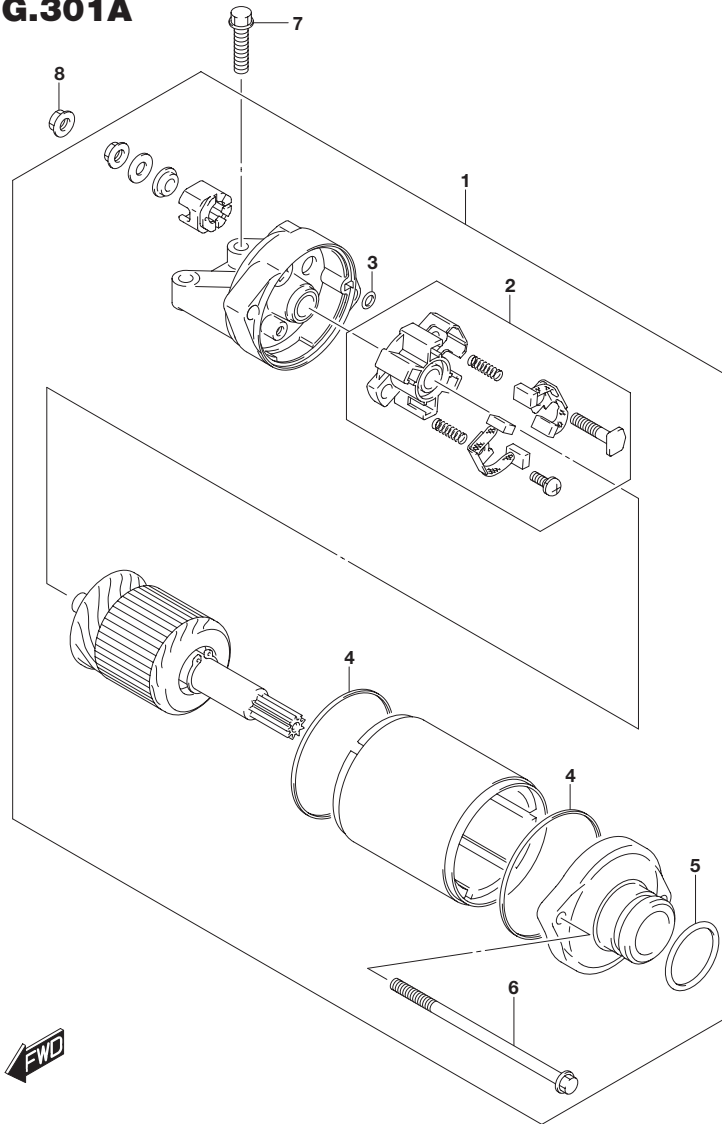


FIG.301A (1-D-3) STARTING MOTOR

REF NO.	PART NO.	DESCRIPTION	Q'TY	REMARKS
1	31100-14J10	MOTOR ASSY , STARTING	1	
2	31132-38F10	.BRUSH HOLDER SET	1	
3	31143-49040	.O RING	1	
4	31264-38F10	.SQUARE	2	
5	31156-98E00	.O RING	1	
6	31280-38F10	.BOLT	2	
7	09103-06212	BOLT (6X25)	2	
8	08361-3506A	NUT	1	

FIG.304A

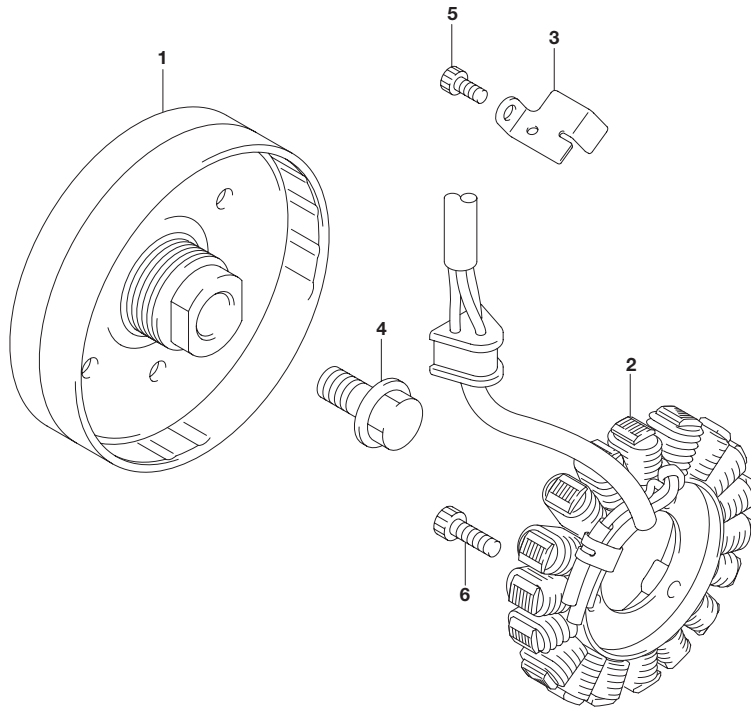


FIG.304A (1-D-4) GENERATOR

REF NO.	PART NO.	DESCRIPTION	Q'TY	REMARKS
1	31402-01H20	ROTOR ASSY	1	
2	31401-01H20	STATOR ASSY	1	
3	32371-13E30	CLAMP ,GEN LEAD	1	
4	31791-14J00	BOLT ,GENERATOR ROTOR	1	
5	07130-0512A	BOLT	1	
6	07130-0620A	BOLT	3	



FIG.306A

FIG.306A (1-D-5) SIGNAL GENERATOR

REF NO.	PART NO.	DESCRIPTION	Q'TY	REMARKS
1	33220-01H00	SENSOR ASSY ,CAM POSITION	1	
2	33110-14J00	STATOR , SIGNAL GENERATOR	1	
3	33115-33E00	CLAMP , SIGNAL GENERATOR	1	
4	07130-0510A	BOLT	1	
5	07130-0510A	BOLT	2	
6	07130-0616A	BOLT	1	

3

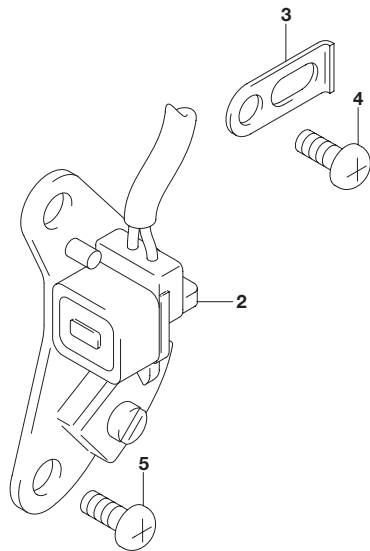
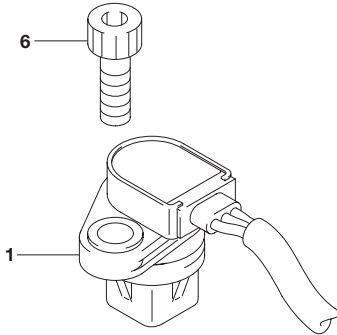


FIG.310A

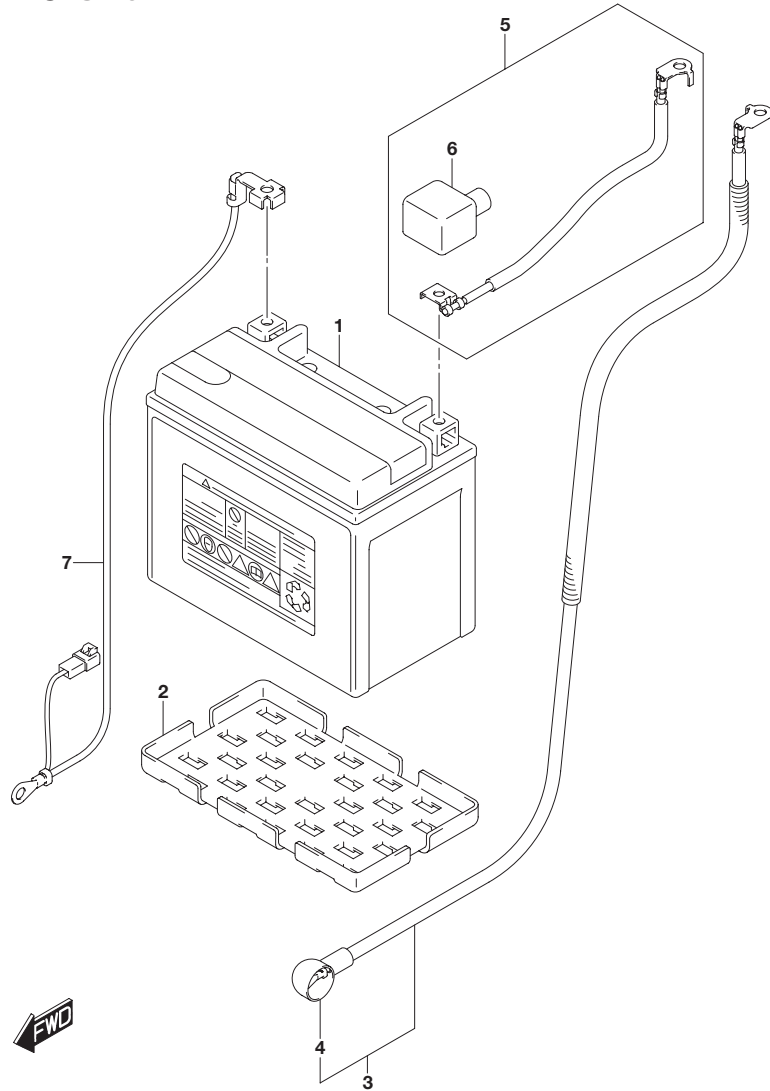


FIG.310A (1-D-6) BATTERY

REF NO.	PART NO.	DESCRIPTION	Q'TY	REMARKS
1	33610-14G11	BATTERY ASSY (FT12A - BS , 12V10AH)	1	
2	33652-16G00	PROTECTOR , BATTERY	1	
3	33810-14J00	WIRE , STARTER MOTOR LEAD	1	
4	33624-18H10	.CAP , STARTER MOTOR TERMINAL	1	
5	33820-14J00	WIRE , BATTERY PLUS LEAD	1	
6	33624-16G00	.CAP , BATTERY PLUS	1	
7	33860-14J00	WIRE , BATTERY MINUS	1	

FIG.312A

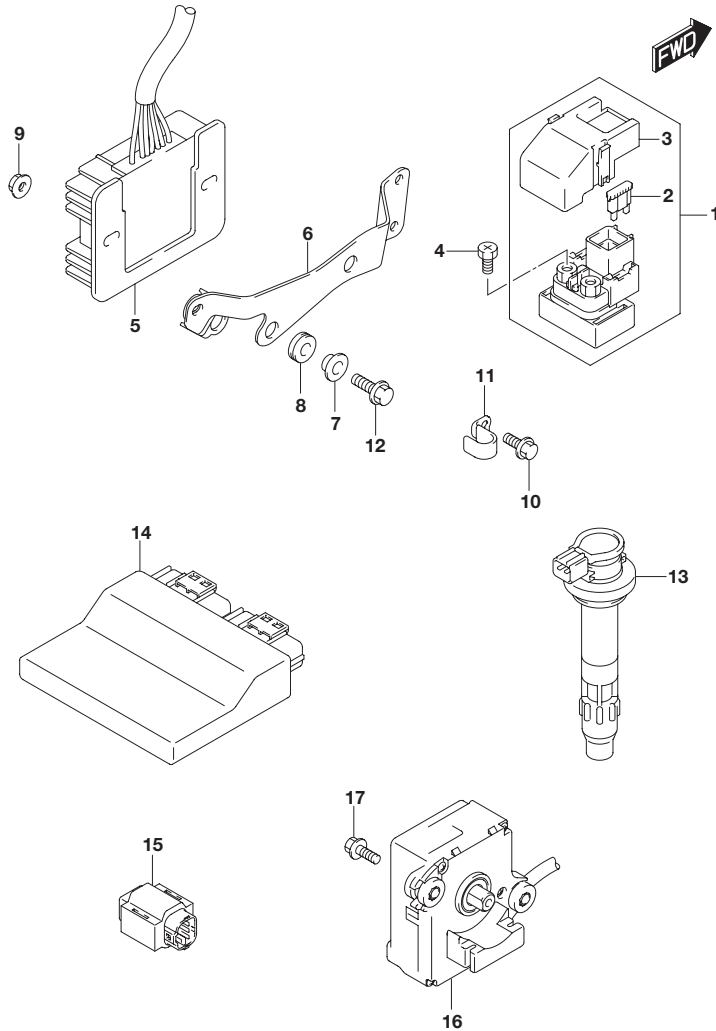
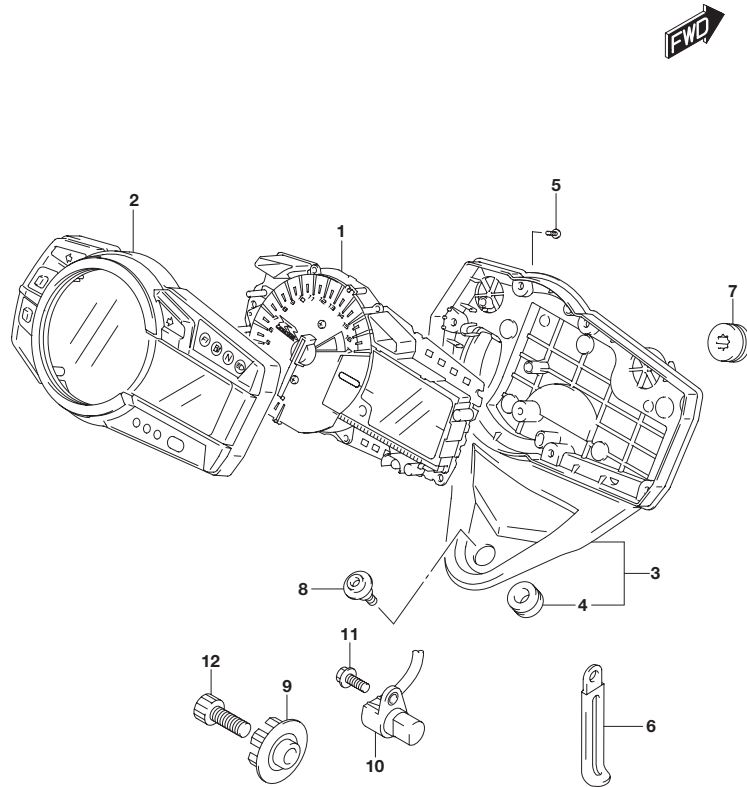


FIG.312A (1-D-7) ELECTRICAL

REF NO.	PART NO.	DESCRIPTION	Q'TY	REMARKS
1	31800-06G00	RELAY ASSY ,STARTING MOTOR	1	
2	09481-30101	.FUSE (30A)	2	
3	31861-47E00	.COVER ,STARTER	1	
4	09128-06013	SCREW (6X8)	2	
5	32800-47H00	RECTIFIER ASSY	1	
6	32830-14J00	BRACKET ,RECTIFIER	1	
7	09180-06325	SPACER (6.2X8.4X6.9)	2	
8	09320-08066	CUSHION	2	
9	09116-06182	BOLT (6X20)	2	
10	01550-0616A	BOLT	2	
11	09404-06433	CLAMP (L:80)	1	
12	08316-1006A	NUT	2	
13	33410-38H00	COIL ASSY ,IGNITION	4	
14	32920-15J70	CONTROL UNIT ,FI	1	
15	33960-27G00	SENSOR ASSY ,FUEL CUT	1	
16	33970-47H01	ACTUATOR ASSY ,EXHAUST CONTROL	1	
17	09116-06148	BOLT (6X32.5)	2	

FIG.330A

FIG.330A (1-D-8) SPEEDOMETER



REF NO.	PART NO.	DESCRIPTION	Q'TY	REMARKS
1	34120-15J00	SPEEDOMETER	1	
2	34150-47H00	CASE ,UPPER	1	
3	34111-14J00	CASE ,LOWER	1	
4	34955-33E00	.CUSHION	1	
5	09132-03008	SCREW (3X16)	8	
6	09404-06429	CLAMP (L:45)	1	
7	34955-13E00	CUSHION	2	
8	34149-18G00	SCREW	1	
9	34981-38G01	ROTOR ,SPEED	1	
10	34990-35F00	SENSOR ,SPEED	1	
11	07120-0512A	BOLT	1	
12	07130-0825B	BOLT	1	

FIG.333A

3

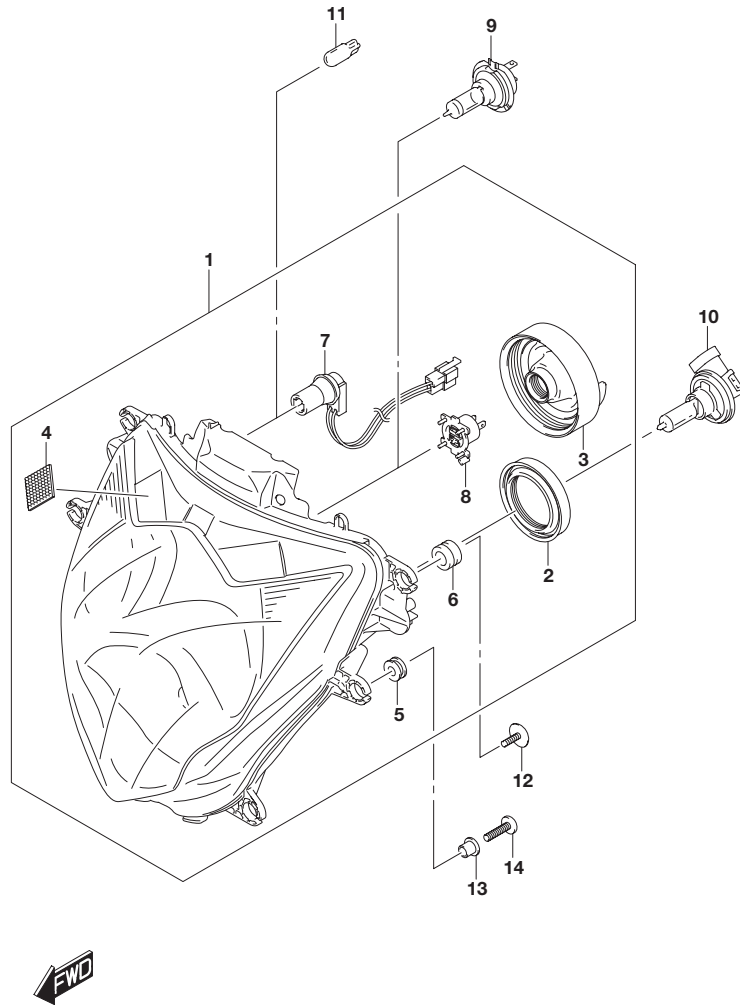


FIG.333A (1-D-9) HEADLAMP

REF NO.	PART NO.	DESCRIPTION	Q'TY	REMARKS
1	35100-14J01-999	HEADLAMP ASSY	1	
2	35179-01H00	.COVER ,SOCKET	1	
3	35179-58J00	.COVER ,SOCKET	1	
4	44572-02F01	.FASTENER	2	
5	09320-07014	.CUSHION	2	
6	09320-09039	.CUSHION	4	
7	36118-29G51	.CORD ASSY	2	
8	37175-14J00	.ADAPTER ASSY	1	
9	09471-12222	BULB(12V ,65W)	1	
10	09471-12188	BULB(12V ,55W)	1	
11	09471-12216	BULB(12V5W)	2	
12	09136-05062	SCREW (5X15)	6	
13	09169-05018	WASHER	2	
14	02142-0520B	SCREW	2	

FIG.334A

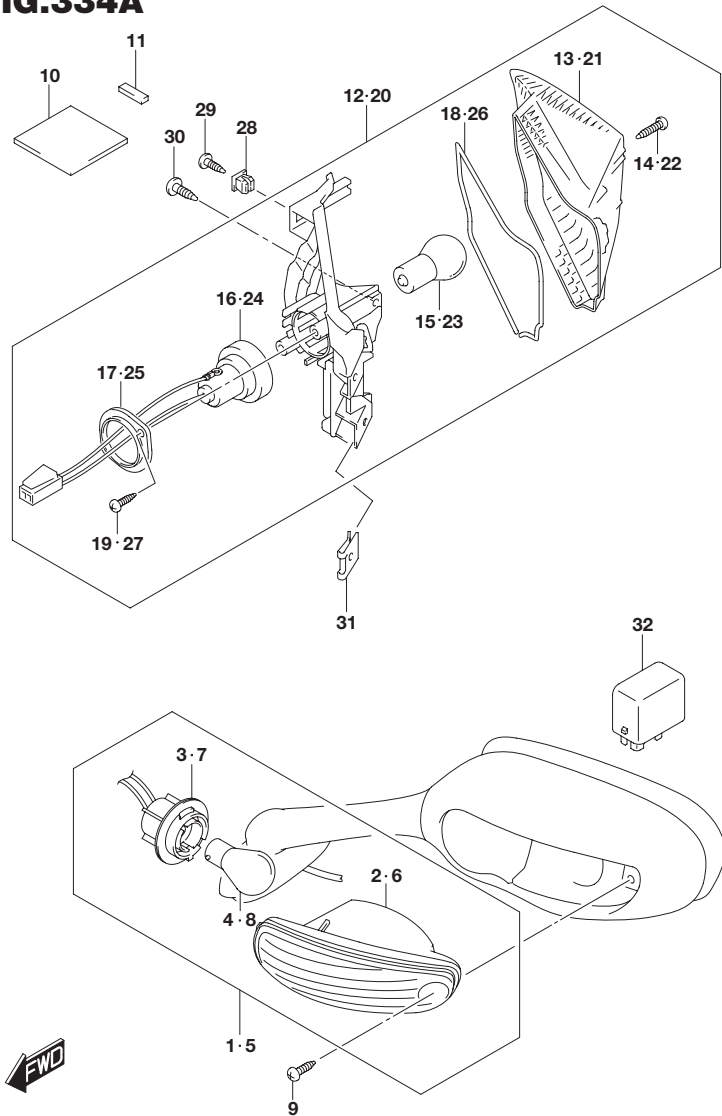


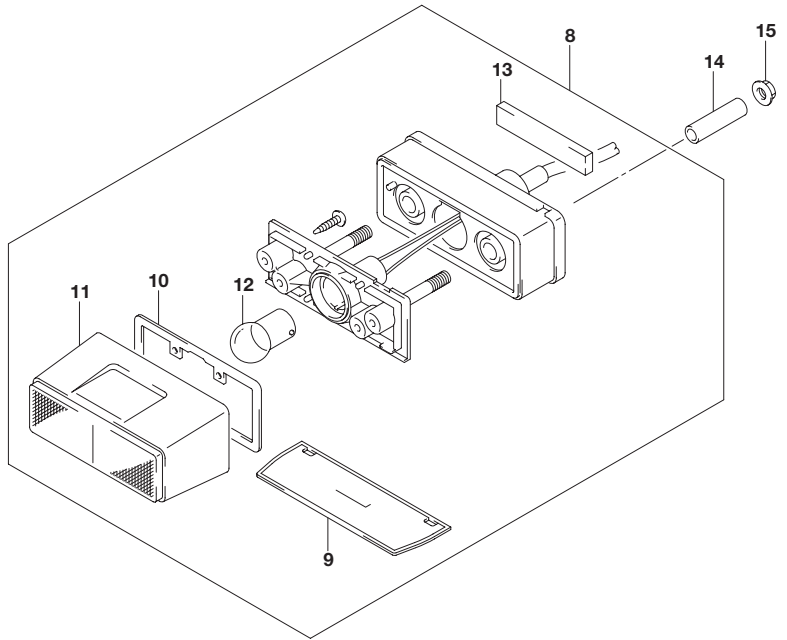
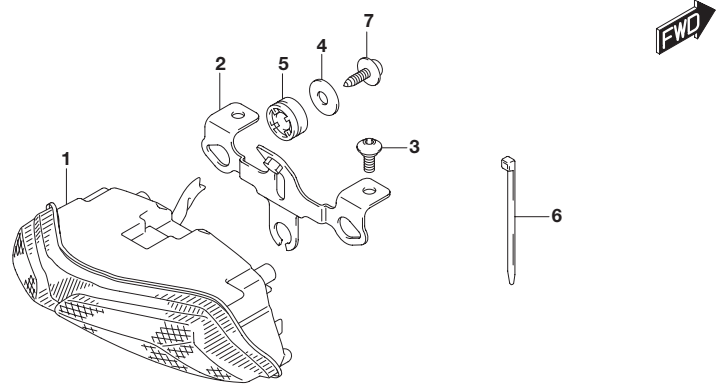
FIG.334A (1-D-10) TURNSIGNAL LAMP

REF NO.	PART NO.	DESCRIPTION	Q'TY	REMARKS
1	35601-41G00	LAMP ASSY ,FRONT TURNSIGNAL RH	1	
2	35610-41G00	.LAMP UNIT ,RH	1	
3	35618-10G50	.SOCKET ,RH	1	
4	09471-12186	.BULB (12V 21W)	1	
5	35602-41G00	LAMP ASSY ,FRONT TURNSIGNAL LH	1	
6	35630-41G00	.LAMP UNIT ,LH	1	
7	35638-10G50	.SOCKET ,LH	1	
8	09471-12186	.BULB (12V 21W)	1	
9	09132-04032	SCREW (4X20)	2	
10	33652-21G10	CUSHION ,FRONT TURNSIGNAL	2	
11	94443-21H00	TAPE ,FR TURN	2	
12	35603-47H00	LAMP ASSY ,REAR TURNSIGNAL ,RH	1	
13	35652-47H00	.LENS ,RH	1	
14	03211-0416A	.SCREW	1	
15	09471-12186	.BULB (12V 21W)	1	
16	35658-41G00	.SOCKET & CORD ,RH	1	
17	35716-07A30	.PLATE	1	
18	35653-47H00	.GASKET	1	
19	03211-0412A	.SCREW	2	
20	35604-47H00	LAMP ASSY ,REAR TURNSIGNAL ,LH	1	
21	35672-47H00	.LENS ,LH	1	
22	03211-0416A	.SCREW	1	
23	09471-12186	.BULB (12V 21W)	1	
24	35678-41G00	.SOCKET & CORD ,LH	1	
25	35716-07A30	.PLATE	1	
26	35653-47H00	.GASKET	1	
27	03211-0412A	.SCREW	2	
28	09148-04021	NUT	2	
29	03541-0412A	SCREW	2	
30	03511-0512A	SCREW	4	
31	09148-05038	NUT	4	
32	38610-03F00	RELAY ASSY ,TURNSIGNAL LAMP	1	

FIG.339A

FIG.339A (1-D-11) REAR COMBINATION LAMP

3



REF NO.	PART NO.	DESCRIPTION	Q'TY	REMARKS
1	35710-14JA0	LAMP ASSY ,REAR COMBINATION	1	
2	35726-14J00	BRACKET ,REAR COMBINATION LAMP	1	
3	09139-05074	BOLT (5X13)	3	
4	09160-05501	WASHER (5.5X20X1.2)	3	
5	09320-10049	CUSHION	3	
6	09407-10404	CLAMP (L:100)	1	
7	03541-0516A	SCREW	3	
8	35910-41GA0	LAMP ASSY ,LICENSE	1	
9	35912-41G01	.LENS	1	
10	35913-41G00	.GASKET	1	
11	35917-41G00	.COVER	1	
12	09471-12140	.BULB(12V ,5W)	1	
13	47117-46400	.CUSHION ,FRAME COVER	1	
14	09180-06264	SPACER (6.5X9X10.5)	2	
15	09159-06096	NUT	2	

FIG.355A

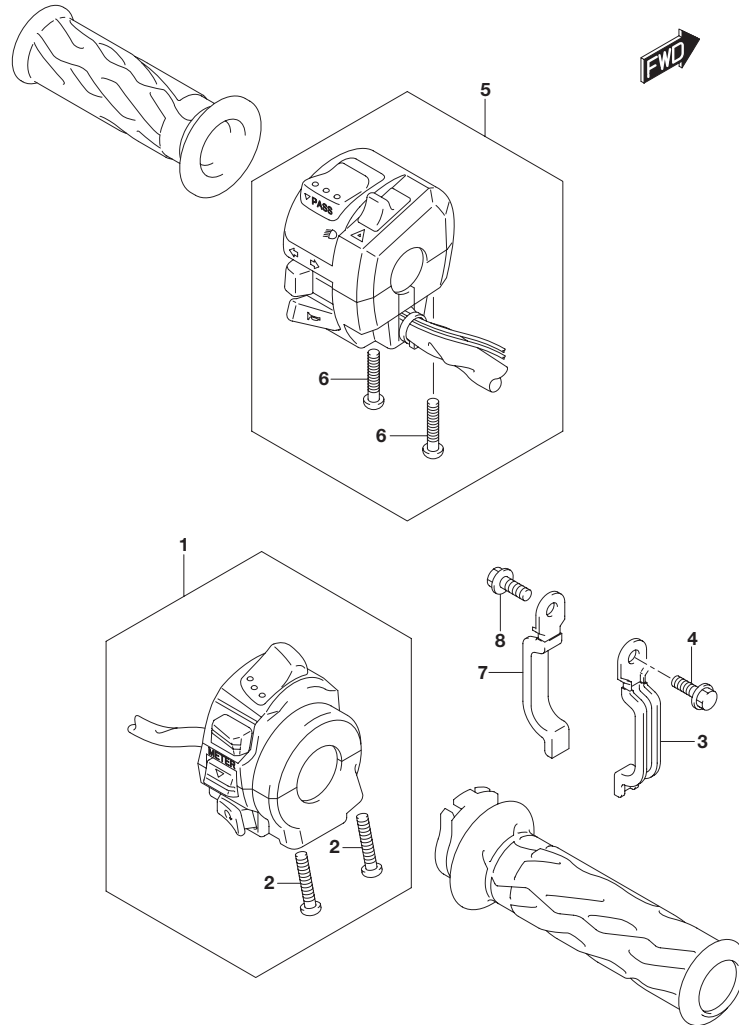


FIG.355A (1-D-13) HANDLE SWITCH

REF NO.	PART NO.	DESCRIPTION	Q'TY	REMARKS
1	37200-47H30	SWITCH ASSY ,HANDLE ,RH	1	
2	02112-0530B	.SCREW	2	
3	09403-06322	CLAMP	1	
4	01547-0612A	BOLT	1	
5	37400-14J00	SWITCH ASSY ,HANDLE LH	1	
6	02112-0535B	.SCREW	2	
7	09403-06322	CLAMP	1	
8	01547-0612A	BOLT	1	

FIG.410A

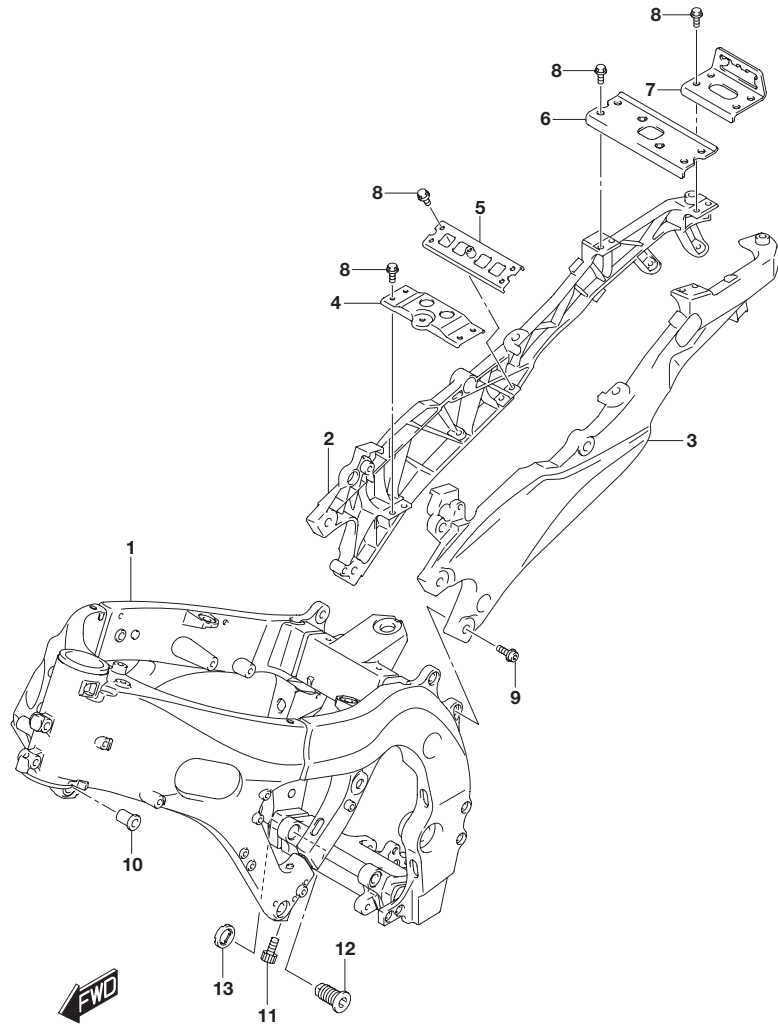


FIG.401A (1-D-14) FRAME

REF NO.	PART NO.	DESCRIPTION	Q'TY	REMARKS
1	41100-15J00-YAP	FRAME (BLACK)	1	
2	41211-14J00-YUG	RAIL , SEAT RH (BLACK)	1	
3	41221-14J00-YUG	RAIL , SEAT LH (BLACK)	1	
4	41770-01H00	BRIDGE , SEAT RAIL FRONT	1	
5	42740-37H00	BRIDGE , SEAT RAIL CENTER	1	
6	42730-14J00	BRIDGE , SEAT RAIL UPPER	1	
7	42751-14J00	BRIDGE , SEAT RAIL REAR	1	
8	09103-06285	BOLT (6X12)	16	
9	41233-18G20	BOLT , SEAT RAIL	4	
10	41911-40F01	SPACER , ENGINE MOUNT	1	
11	09106-08185	BOLT (8X32)	1	
12	41921-35F00	BOLT , ADJUST	2	
13	41922-18G00	NUT , ADJUST	2	

FIG.407A

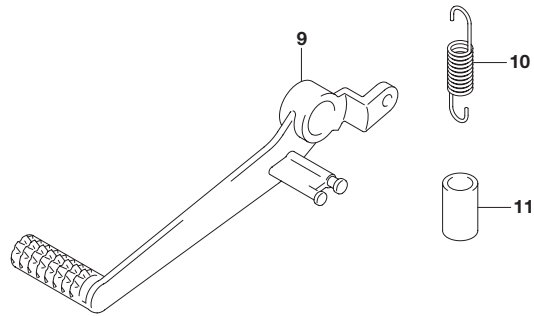


FIG.407A (1-D-15) STAND

REF NO.	PART NO.	DESCRIPTION	Q'TY	REMARKS
1	42310-14J00	STAND ,PROP	1	
2	42411-47H00	BOLT ,PROP STAND	1	
3	09181-16214	SHIM (16X28X0.5)	2	
4	09159-10103	NUT	1	
5	09443-14070	SPRING	1	INNER
6	09443-19016	SPRING	1	OUTER
7	42330-14J01	BRACKET ,PROP STAND	1	
8	09106-10064	BOLT (10X28)	2	
9	43110-41G00	PEDAL ,BRAKE	1	
10	09443-11033	SPRING	1	
11	09352-11153-600	HOSE (11X15X600)	1	L:600 22

4

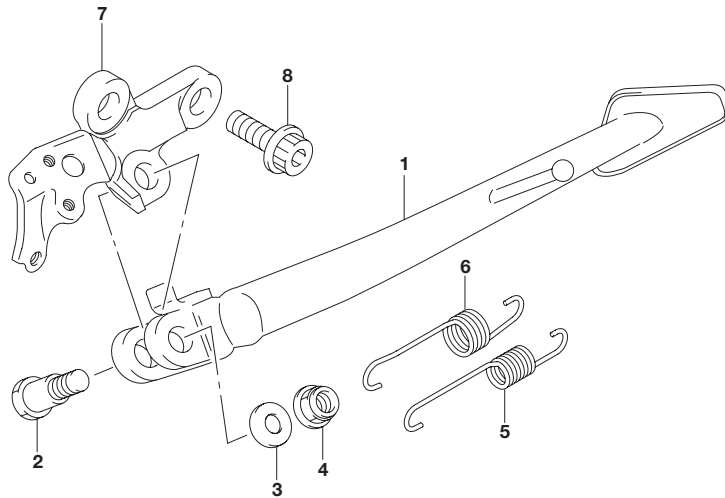


FIG.415A

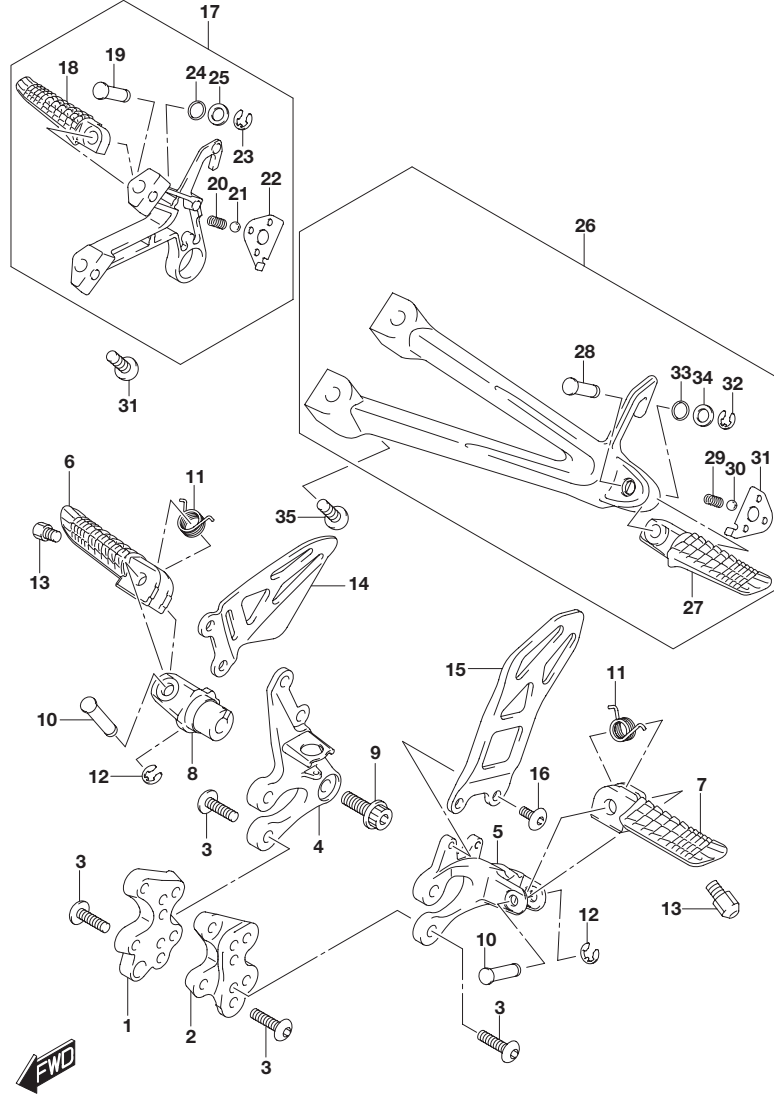


FIG.415A (1-E-2) FOOTREST

REF NO.	PART NO.	DESCRIPTION	Q'TY	REMARKS
1	43541-14J00	BRACKET ,FOOTREST NO.1 RH	1	
2	43551-14J00	BRACKET ,FOOTREST NO.1 LH	1	
3	09106-08186	BOLT (8X23)	8	
4	43511-14J00	BRACKET ,FOOTREST NO.2 RH	1	
5	43521-47H10	BRACKET ,FOOTREST NO.2 LH	1	
6	43516-37H00	BAR ,FOOTREST RH	1	
7	43526-37H00	BAR ,FOOTREST LH	1	
8	43531-41G10	HOLDER ,FOOTREST	1	
9	09106-10064	BOLT (10X28)	1	RH
10	09208-08018	PIN	2	
11	09448-14037	SPRING	2	
12	08332-1106A	E RING	2	
13	43576-07D01	BOLT ,BANK SENSOR	2	
14	43571-47H00	GUARD ,FOOTREST RH	1	
15	43576-47H10	GUARD ,FOOTREST LH	1	
16	43577-35F00	SCREW , LH	2	
17	43600-14J10	FOOTREST ,PILLION RH (SILVER)	1	
18	43611-37H00	.BAR ,RH	1	
19	09208-08020	.PIN	1	
20	09440-05003	.SPRING	1	
21	06111-07004	.BALL	1	
22	43816-47H00	.PLATE	1	
23	08332-1106A	.E RING	1	
24	09280-08013	.O RING (D:2.4 ,D:6.9)	1	
25	09160-08091	.WASHER (8.5X14X1.0)	1	

FIG.415A

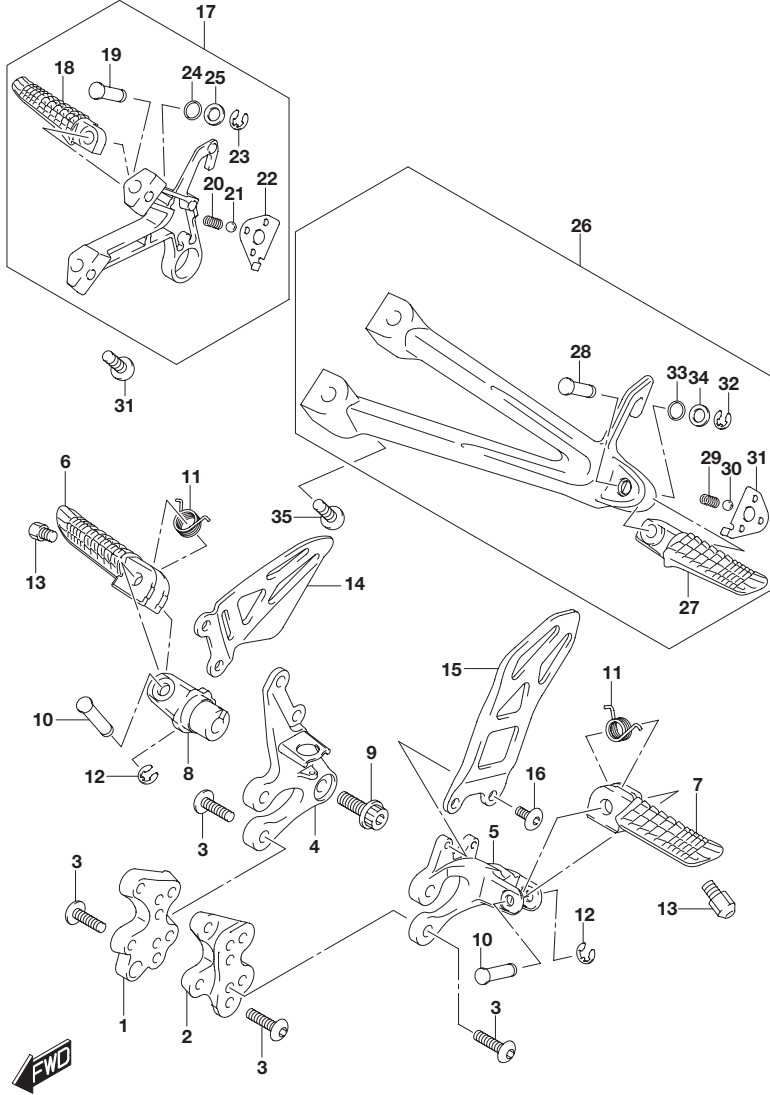


FIG.415A (1-E-3) FOOTREST

REF NO.	PART NO.	DESCRIPTION	Q'TY	REMARKS
26	43700-14J10	FOOTREST ,PILLION LH (SILVER)	1	
27	43621-37H00	.BAR , LH	1	
28	09208-08020	.PIN	1	
29	09440-05003	.SPRING	1	
30	06111-07004	.BALL	1	
31	43826-47H00	.PLATE	1	
32	08332-1106A	.E RING	1	
33	09280-08013	.O RING (D:2.4 ,D:6.9)	1	
34	09160-08091	.WASHER (8.5X14X1.0)	1	
35	09106-08186	BOLT (8X23)	4	

FIG.420A

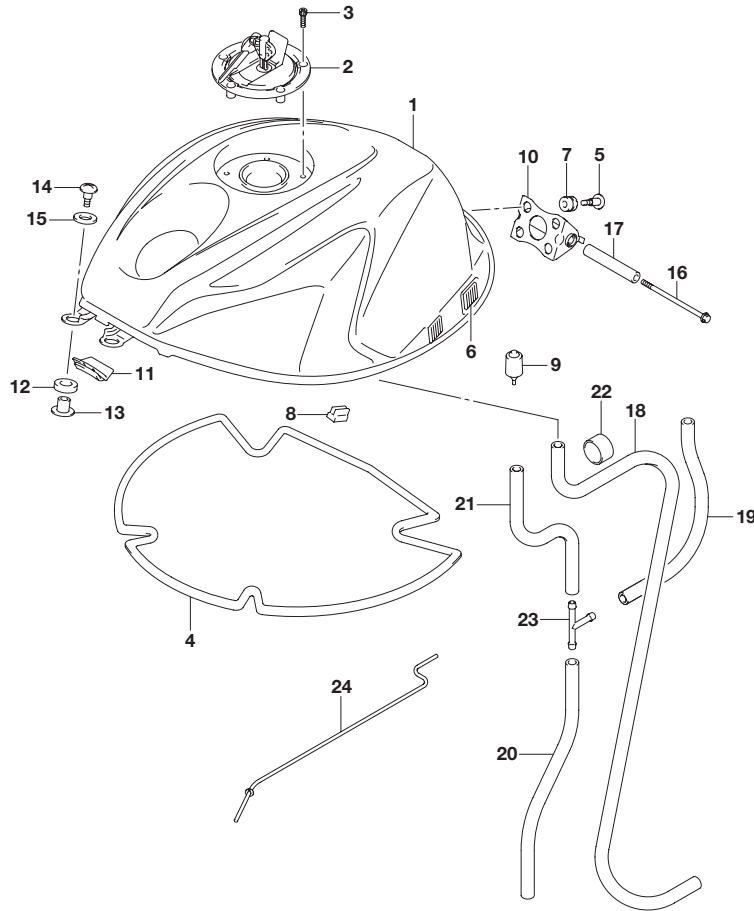


FIG.420A (1-E-4) FUEL TANK

REF NO.	PART NO.	DESCRIPTION	Q'TY	REMARKS
1-1	44100-14J42-YSF	TANK ASSY ,FUEL(BLUE)	1	FOR AGQ
1-2	44100-14J42-YVB	TANK ASSY ,FUEL(BLACK)	1	FOR JSP
1-3	44100-14J42-RB5	TANK ASSY ,FUEL(WHITE)	1	FOR AR6
2	44200-16850	CAP SET ,FUEL TANK	1	
3	09106-05017	BOLT (5X20)	3	
4	44191-14J00	SHIELD ,FUEL TANK HEAT	1	
5	44543-14J00	SCREW ,FUEL TANK REAR BRACKET	4	
6	44572-13G00	FASTENER ,COVER	4	
7	09320-08071	CUSHION	4	
8	44276-21H00	CUSHION ,TANK COVER	2	
9	44542-41G00	CUSHION ,REAR	2	
10	44530-41G00	BRACKET ,REAR	1	
11	44546-44H00	RUBBER ,TANK FRONT	1	
12	44511-16G00	CUSHION	2	
13	44512-16G00	SPACER ,TANK FRONT	2	
14	09139-06192	SCREW (6X25)	2	
15	09160-06012	WASHER (6.5X22X1.6)	2	
16	09106-06119	BOLT (6X110)	1	
17	44561-18G00	SPACER ,TANK REAR	1	
18	44423-14J00	HOSE ,DRAIN	1	
19	44424-14J00	HOSE ,BREATHER NO.1	1	
20	44424-14J10	HOSE ,BREATHER NO.2	1	
21	44425-09E00	HOSE ,BREATHER NO.3	1	CUT AS REQUIRED
22	09352-12163-600	HOSE (12X16X600)	1	L:600 10
23	09367-06007	3 WAY	1	
24	44574-35F00	STAY ,FUEL TANK	1	OPT

COLOR : AGQ=YSF (BLUE) , YWW (WHITE)
 : JSP=YVB (BLACK) , YVZ (RED)
 : AR6=YKV (BLACK) , RB5 (WHITE)



FIG.423A

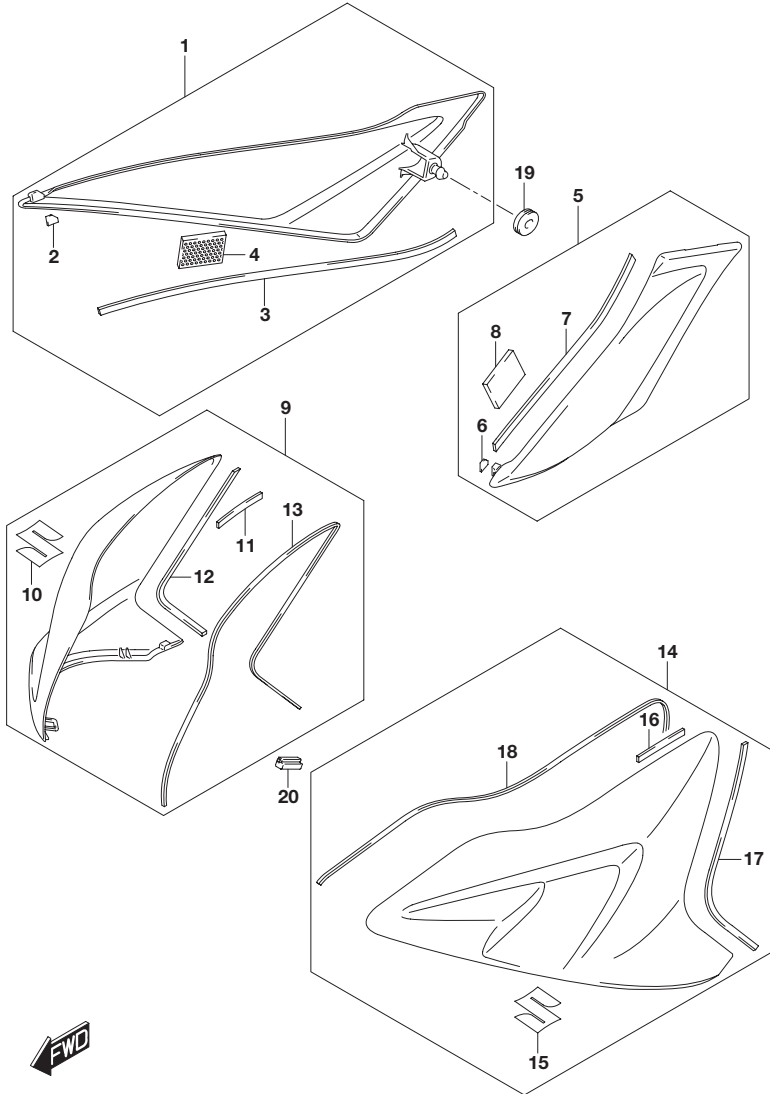


FIG.423A (1-E-5) FUEL TANK COVER

REF NO.	PART NO.	DESCRIPTION	Q'TY	REMARKS
1	44170-14J00	COVER ,FUEL TANK SIDE RH	1	
2	44172-14J00	.CUSHION ,FUEL TANK COVER	1	
3	44278-14J00	.CUSHION ,FUEL TANK SIDE COVER	1	
4	44572-02F01	.FASTENER ,COVER	2	
5	44180-14J00	COVER ,FUEL TANK SIDE LH	1	
6	44172-14J00	.CUSHION ,FUEL TANK COVER	1	
7	44278-14J00	.CUSHION ,FUEL TANK SIDE COVER	1	
8	44572-02F01	.FASTENER ,COVER	2	
9-1	44270-14J20-YSF	COVER ,TANK FRONT RH(BLUE)	1	FOR AGQ
9-2	44270-14J20-YVB	COVER ,TANK FRONT RH(BLACK)	1	FOR JSP
9-3	44270-14J20-RB5	COVER ,TANK FRONT RH(WHITE)	1	FOR AR6
10	68111-47HA0	.EMBLEM , "S"	1	
11	44273-14J00	.CUSHION ,FUEL TANK COVER NO.1	1	
12	44274-14J00	.CUSHION ,FUEL TANK COVER NO.2	1	
13	44277-14J00	.CUSHION ,FUEL TANK COVER FR	1	
14-1	44280-14J20-YSF	COVER ,TANK FRONT LH(BLUE)	1	FOR AGQ
14-2	44280-14J20-YVB	COVER ,TANK FRONT LH(BLACK)	1	FOR JSP
14-3	44280-14J20-RB5	COVER ,TANK FRONT LH(WHITE)	1	FOR AR6
15	68111-47HA0	.EMBLEM , "S"	1	
16	44273-14J00	.CUSHION ,FUEL TANK COVER NO.1	1	
17	44284-14J00	.CUSHION ,FUEL TANK COVER NO.2	1	
18	44277-14J00	.CUSHION ,FUEL TANK COVER FR	1	
19	44173-14J00	CUSHION ,SIDE	2	
20	44177-14J01	CUSHION ,FRONT	2	

COLOR : AGQ=YSF (BLUE) , YWW (WHITE)
 : JSP=YVB (BLACK) , YVZ (RED)
 : AR6=YKV (BLACK) , RB5 (WHITE)

FIG.445A

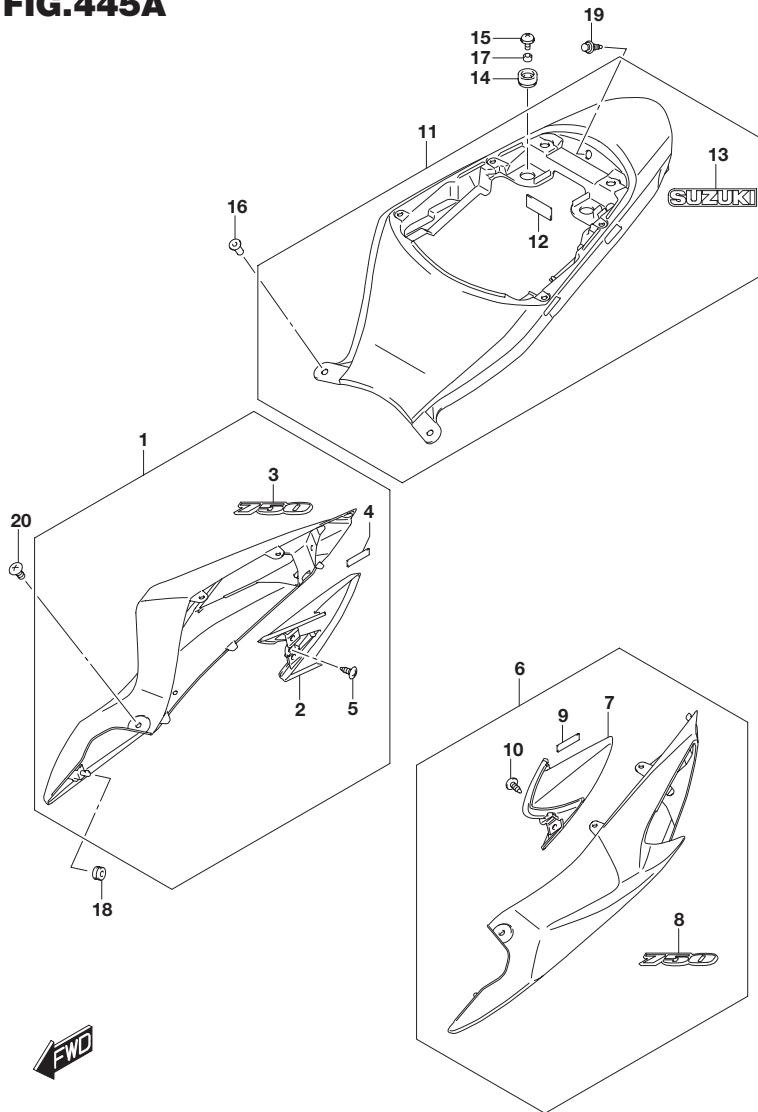


FIG.445A (1-E-6) FRAME COVER

REF NO.	PART NO.	DESCRIPTION	Q'TY	REMARKS
1-1	47100-15J10-YWW	COVER ,FRAME RH(WHITE)	1	FOR AGQ
1-2	47100-15J10-YVZ	COVER ,FRAME RH(RED)	1	FOR JSP
1-3	47100-15J10-RB5	COVER ,FRAME RH(WHITE)	1	FOR AR6
2	47611-14J00	.COVER ,FRAME	1	
3-1	68131-15J00-JWH	.EMBLEM ,"750"(ORANGE/BLACK)	1	FOR YWW
3-2	68131-15J00-G3S	.EMBLEM ,"750"(BLACK/SILVER)	1	FOR YVZ
3-3	68131-15J00-CVR	.EMBLEM ,"750"(BLACK/SILVER)	1	FOR RB5
4	94443-06G00	.TAPE (6X25X0.13)	2	
5	03541-0512A	.SCREW	1	
6-1	47200-15J10-YWW	COVER ,FRAME LH(WHITE)	1	FOR AGQ
6-2	47200-15J10-YVZ	COVER ,FRAME LH(RED)	1	FOR JSP
6-3	47200-15J10-RB5	COVER ,FRAME LH(WHITE)	1	FOR RB5
7	47621-14J00	.COVER ,FRAME	1	
8-1	68131-15J00-JWH	.EMBLEM ,"750"(ORANGE/BLACK)	1	FOR YWW
8-2	68131-15J00-G3S	.EMBLEM ,"750"(GRAY/BLACK)	1	FOR YVZ
8-3	68131-15J00-CVR	.EMBLEM ,"750"(GRAY/BLACK)	1	FOR RB5
9	94443-06G00	.TAPE (6X25X0.13)	2	
10	03541-0512A	.SCREW	1	
11	47300-14J00	COVER ,FRAME CENTER(BLUEE)	1	
12	48128-14FA0	.CUSHION	1	
13	94443-06G00	.TAPE	2	
14	47312-37H00	CUSHION ,CENTER	2	
15	09136-06056	SCREW (6X16)	2	
16	09159-05019	NUT	2	
17	09180-06283	SPACER (6.5X10X7)	2	
18	09320-06504	CUSHION	2	
19	09409-06314-5PK	CLIP (BLACK)	8	
20	02142-1520B	SCREW	2	

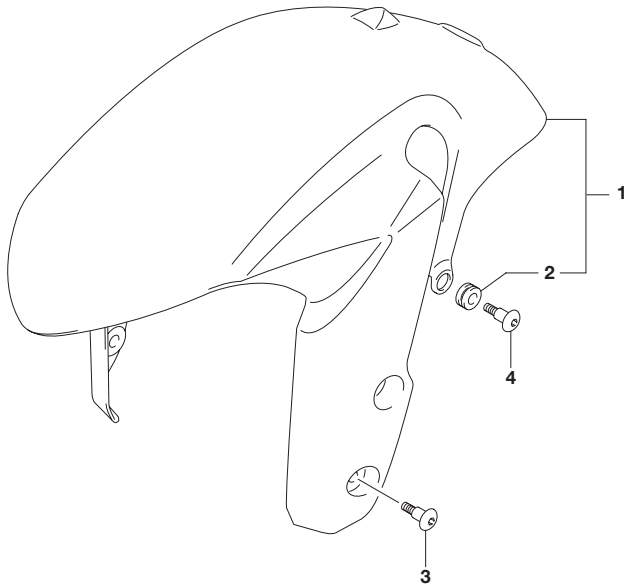
COLOR : AGQ=YSF (BLUE) , YWW (WHITE)
 : JSP=YVB (BLACK) , YVZ (RED)
 : AR6=YKV (BLACK) , RB5 (WHITE)

FIG.460A

FIG.460A (1-E-7) FRONT FENDER

REF NO.	PART NO.	DESCRIPTION	Q'TY	REMARKS
1-1	53100-47H00-YWW	FENDER ,FRONT (WHITE)	1	FOR AGQ
1-2	53100-47H10-YGS	FENDER ,FRONT (BLACK)	1	FOR JSP ,AR6
2	09320-09016	.CUSHION	2	
3	09139-06131	SCREW (6X16)	4	
4	09139-06146	SCREW (6X16)	2	

COLOR : AGQ=YSF (BLUE) , YWW (WHITE)
 : JSP=YVB (BLACK) , YVZ (RED)
 : AR6=YKV (BLACK) , RB5 (WHITE)



4



FIG.462A

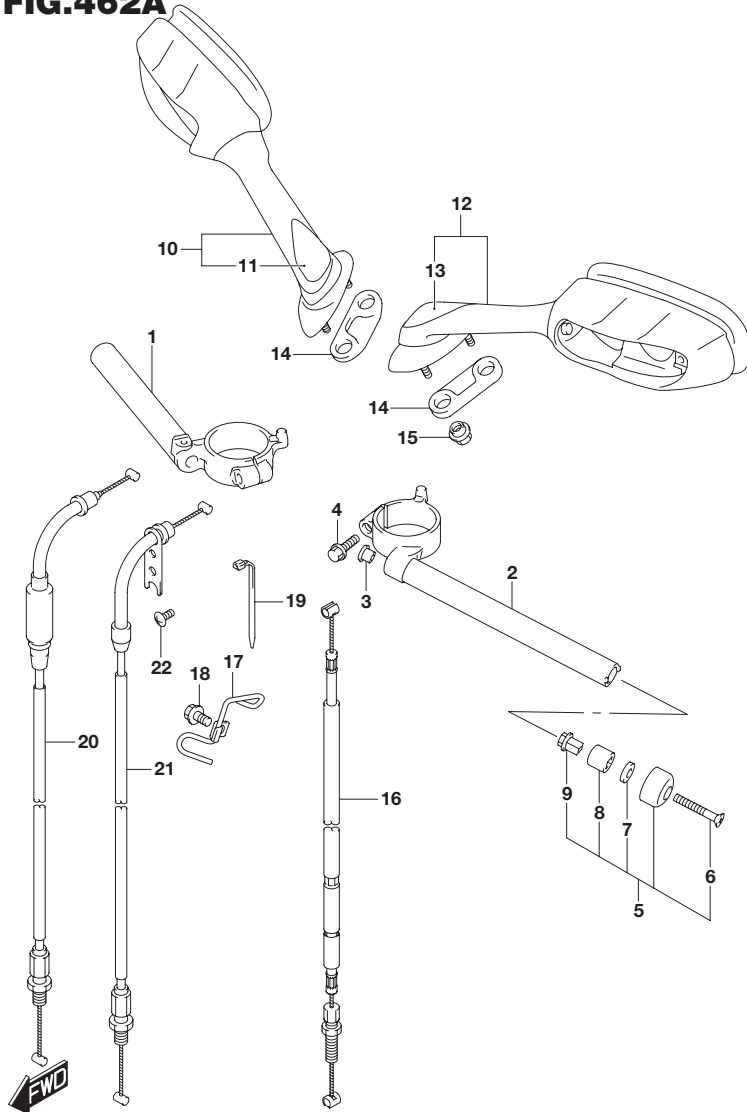


FIG.462A (1-E-8) HANDLEBAR

REF NO.	PART NO.	DESCRIPTION	Q'TY	REMARKS
1	56111-14J00	HANDLEBAR ,RH	1	
2	56151-14J00	HANDLEBAR ,LH	1	
3	56131-29G00	CAP	2	
4	09106-08185	BOLT (8X32)	2	
5	56200-41822	BALANCER SET ,HANDLEBAR	2	
6	02122-0640B	.SCREW	2	
7	09160-06131	.WASHER (6.5X16X4)	2	
8	56272-10G00	.EXPANDER	2	
9	56273-10G10	.NUT	2	
10	56500-47H01	MIRROR ASSY ,REAR VIEW RH	1	
11	56515-47H01	.CAP	1	
12	56600-47H01	MIRROR ASSY ,REAR VIEW LH	1	
13	56615-47H01	.CAP	1	
14	94575-14J00	CUSHION ,RH	2	
15	56619-41G01	NUT	4	
16	58200-14J00	CABLE ASSY ,CLUTCH	1	
17	58620-14J00	GUIDE ,CABLE	1	
18	01547-0612A	BOLT	1	
19	09407-17403	CLAMP (L:154)	1	
20	58300-14J00	CABLE ASSY ,THROTTLE NO.1	1	
21	58300-14J10	CABLE ASSY ,THROTTLE NO.2	1	
22	09125-05042	SCREW (5X10)	1	

FIG.467A

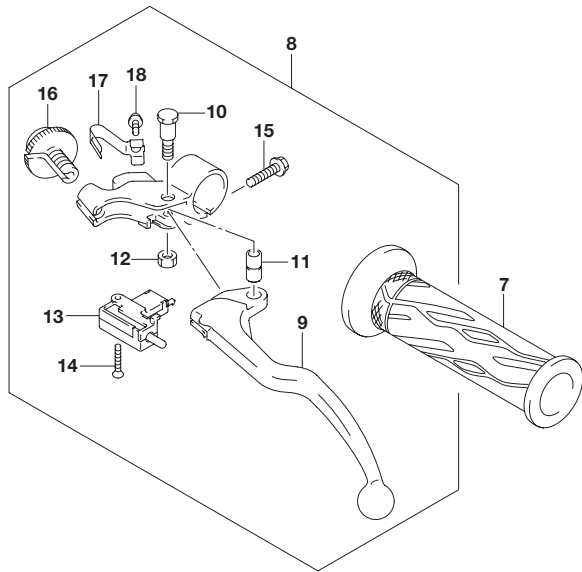
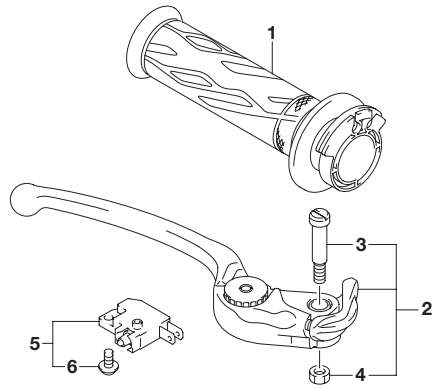


FIG.467A (1-E-9) HANDLE LEVER

REF NO.	PART NO.	DESCRIPTION	Q'TY	REMARKS
1	57110-21H01	GRIP ,THROTTLE	1	
2	57300-29G30	LEVER ASSY ,BLAKE	1	
3	57431-29G00	.BOLT ,PIVOT	1	
4	08319-2106A	.NUT	1	
5	57460-14J01	SWITCH ASSY ,STOP	1	
6	57465-17C00	.SCREW	1	
7	57211-21H00	GRIP ,LH	1	
8	57500-41G20	LEVER ASSY ,CLUTCH	1	
9	57621-41G00	.LEVER ,CLUTCH	1	
10	57431-41G00	.BOLT	1	
11	57532-41G00	.COLLAR	1	
12	08319-3106A	.NUT	1	
13	57560-41G20	.SWITCH ASSY ,CLUTCH	1	
14	57562-41G20	.SCREW	1	
15	01547-0620B	.BOLT	1	
16	57641-33E21	.NUT ,CABLE ADJUSTER	1	
17	57644-33E00	.SPRING	1	
18	57642-33E00	.SCREW ,SPRING	1	

4

FIG.474A

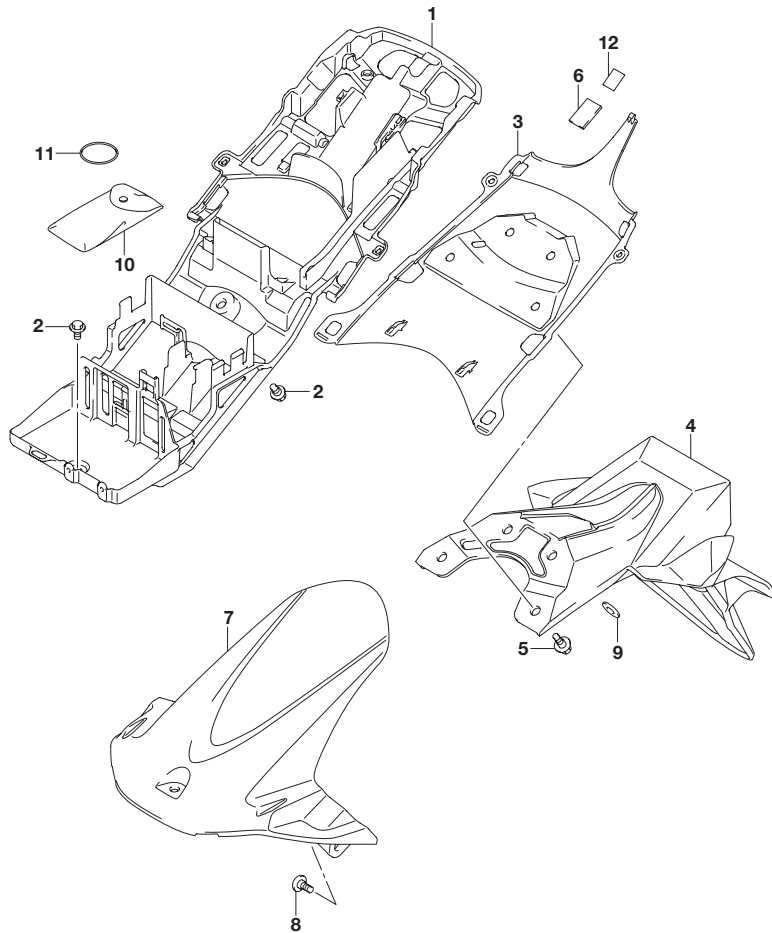


FIG.474A (1-E-10) REAR FENDER

REF NO.	PART NO.	DESCRIPTION	Q'TY	REMARKS
1	63111-14J00	FENDER , REAR FRONT	1	
2	09111-06107	BOLT (6X12)	2	
3	63112-14J00	COVER , FENDER FRONT	1	
4	63113-14J00	FENDER , REAR REAR	1	
5	09111-06072	BOLT (6X17.8)	4	
6	44556-33H00	CUSHION	1	
7	63114-14J01	FENDER , REAR LOWER	1	
8	09139-06158	SCREW (6X16)	3	
9	09160-06077	WASHER (6.5X20X1.2)	2	
10	09800-21056	TOOL ASSY	1	
11	09280-57003	O RING (D:3.5 ,D:56.5)	1	
12	44572-37H00	FASTENER , REAR FENDER	2	

FIG.480A

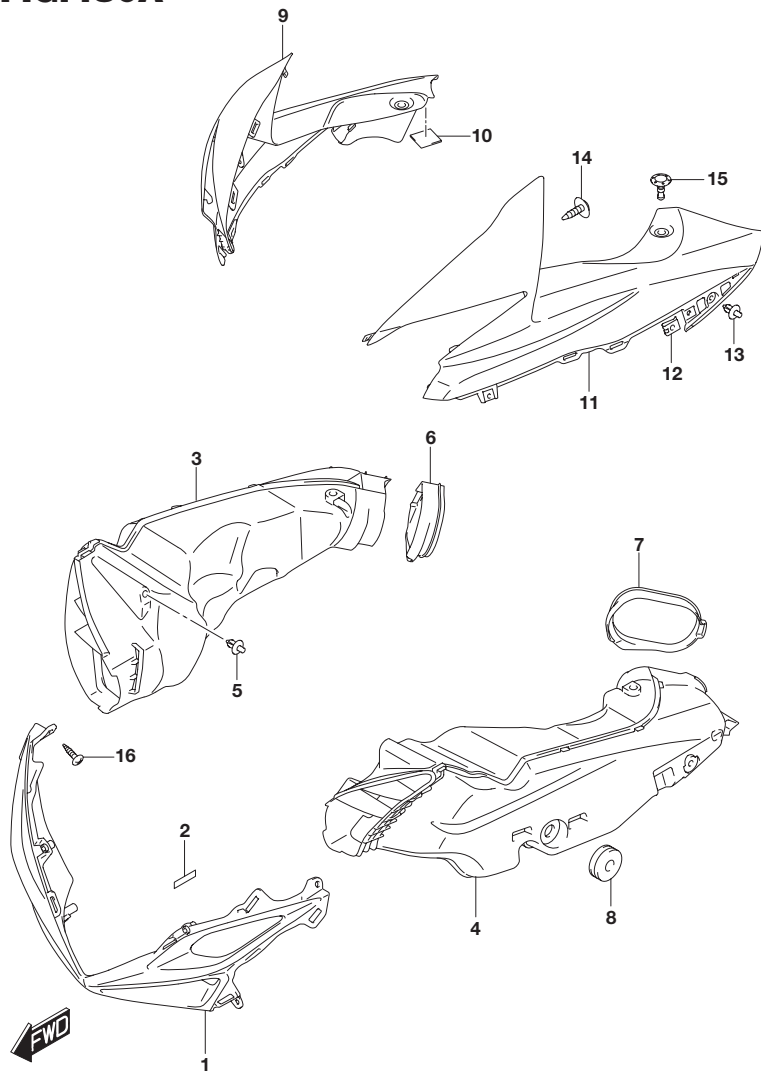


FIG.480A (1-E-11) AIR INTAKE PIPE

REF NO.	PART NO.	DESCRIPTION	Q'TY	REMARKS
1-1	94671-14J10-YUA	COVER ,INTAKE FRONT(BLUE)	1	FOR AGQ
1-2	94671-14J10-YKV	COVER ,INTAKE FRONT(BLACK)	1	FOR JSP
1-3	94671-14J10-YVB	COVER ,INTAKE FRONT(BLACK)	1	FOR AR6
2	94443-06G00	TAPE	8	
3	94420-14J10	PIPE ,INTAKE RH	1	
4	94430-14J10	PIPE ,INTAKE LH	1	
5	09409-06314-5PK	CLIP (BLACK)	2	
6	94423-14J00	MOLDING ,RH	1	
7	94433-14J00	MOLDING ,LH	1	
8	09320-08028	CUSHION	2	
9-1	94672-14J00-YWW	COVER ,INTAKE SIDE RH(WHITE)	1	FOR AGQ
9-2	94672-14J00-YVB	COVER ,INTAKE SIDE RH(BLACK)	1	FOR JSP
9-3	94672-14J00-RB5	COVER ,INTAKE SIDE RH(WHITE)	1	FOR AR6
10	33652-13E00	PROTECTOR	1	
11-1	94682-14J00-YWW	COVER ,INTAKE SIDE LH(WHITE)	1	FOR AGQ
11-2	94682-14J00-YVB	COVER ,INTAKE SIDE LH(BLACK)	1	FOR JSP
11-3	94682-14J00-RB5	COVER ,INTAKE SIDE LH(WHITE)	1	FOR AR6
12	09148-05052	NUT	4	
13	09409-06314-5PK	CLIP (BLACK)	4	
14	09132-05050	SCREW (5X12)	2	
15	94479-35F00	CLIP ,REAR	2	
16	03541-0512A	SCREW	2	

COLOR : AGQ=YSF (BLUE) , YWW (WHITE)
 : JSP=YVB (BLACK) , YVZ (RED)
 : AR6=YKV (BLACK) , RB5 (WHITE)

FIG.481A

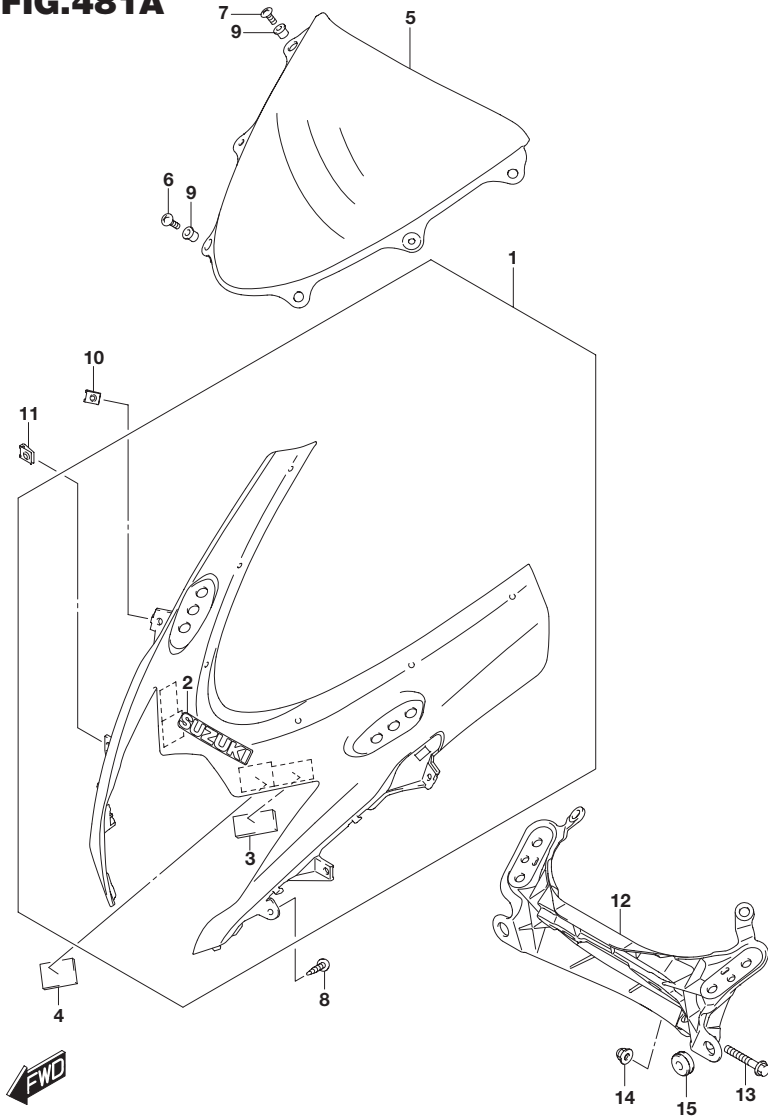


FIG.481A (1-E-12) COWLING BODY

REF NO.	PART NO.	DESCRIPTION	Q'TY	REMARKS
1-1	94410-14J10-6CX	BODY ,COWLING(BLUE)	1	FOR AGQ
1-2	94410-14J10-YVZ	BODY ,COWLING(RED)	1	FOR JSP
1-3	94410-14J20-YKV	BODY ,COWLING(BLACK)	1	FOR AR6
2-1	68641-19F00-YWW	.EMBLEM , "SUZUKI"(WHITE)	1	FOR AGQ
2-2	68281-24F10-019	.EMBLEM , "SUZUKI"(BLACK)	1	FOR JSP
2-3	68641-14J00-AHB	.EMBLEM , "SUZUKI" (WHITE/BLACK)	1	FOR AR6
3	92146-14J00	.CUSHION	2	
4	44572-02F01	FASTENER	2	
5	94611-14J00	WINDSCREEN	1	
6	09125-05133	SCREW (5X18)	4	
7	09125-05134	SCREW (5X15)	2	
8	03541-0516A	SCREW	2	
9	09159-05019	NUT	6	
10	09148-05052	NUT	2	
11	09148-05047	NUT	2	
12	94511-14J00	BRACE ,COWLING	1	
13	09103-08207	BOLT (8X45)	2	
14	08313-2008A	NUT	2	
15	09320-08047	CUSHION	2	

COLOR : AGQ=YSF (BLUE) , YWW (WHITE)
 : JSP=YVB (BLACK) , YVZ (RED)
 : AR6=YKV (BLACK) , RB5 (WHITE)

FIG.483A

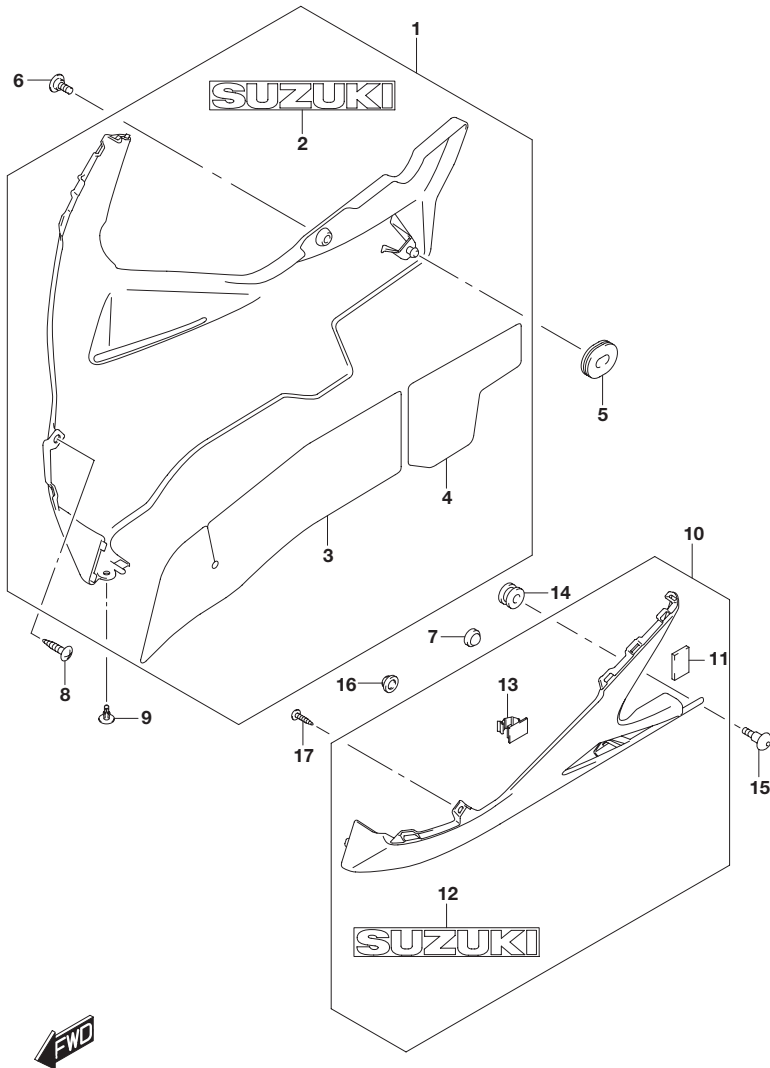


FIG.483A (1-E-13) UNDER COWLING

REF NO.	PART NO.	DESCRIPTION	Q'TY	REMARKS
1-1	94470-14J00-YWW	COWLING , UNDER RH(WHITE)	1	FOR AGQ
1-2	94470-14J00-ASX	COWLING , UNDER RH(RED)	1	FOR JSP
1-3	94470-14J00-RB5	COWLING , UNDER RH(WHITE)	1	FOR AR6
2	68181-33C20-019	.EMBLEM (BLACK)	1	
3	94479-14J00	.SHIELD , UNDER COWL HEAT	1	
4	94479-14J10	.SHIELD , UNDER COWL HEAT	1	
5	94478-14J00	CUSHION	1	RH
6	94476-14J00	SCREW (5X13)	1	RH
7	09321-10018	CUSHION	1	
8	03541-0512A	SCREW	1	
9	94479-35F00	CLIP	1	
10-1	94480-14J00-YWW	COWLING , UNDER LH(WHITE)	1	FOR AGQ
10-2	94480-14J00-ASX	COWLING , UNDER LH(RED)	1	FOR JSP
10-3	94480-14J00-RB5	COWLING , UNDER LH(WHITE)	1	FOR AR6
11	47161-10FA0	.PROTECTOR , UNDER COWL	1	
12	68181-33C20-019	.EMBLEM (BLACK)	1	
13	09403-14311	.CLAMP	1	
14	09320-09016	CUSHION	1	LH
15	09139-06190	BOLT (6X20)	1	LH
16	09321-10018	CUSHION	1	
17	03541-0512A	SCREW	1	

COLOR : AGQ=YSF (BLUE) , YWW (WHITE)
 : JSP=YVB (BLACK) , YVZ (RED)
 : AR6=YKV (BLACK) , RB5 (WHITE)

FIG.485A

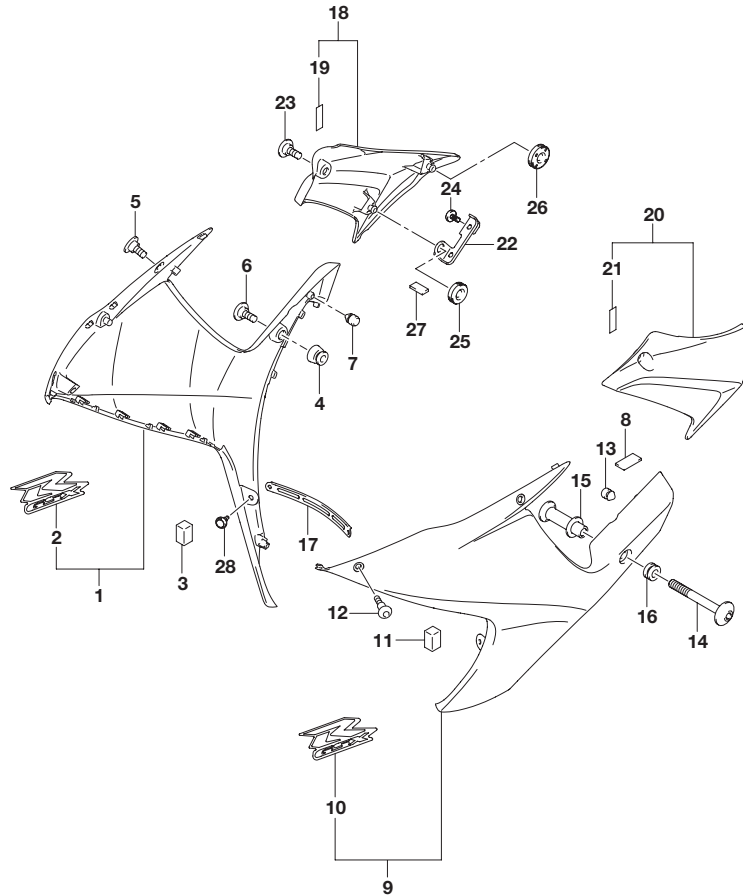


FIG.485A (1-E-14) SIDE COWLING (AGQ)

REF NO.	PART NO.	DESCRIPTION	Q'TY	REMARKS
1	94450-15J00-YSF	COWLING ,SIDE RH (BLUE)	1	
2	68681-15J00-AG9	.EMBLEM , "GSXR" RH	1	
3	94477-14J01	CUSHION	1	
4	94479-15H00	CUSHION ,SIDE COWLING RH	1	
5	09139-05064	SCREW (5X13)	2	
6	09139-06190	BOLT (6X20)	1	
7	09321-06013	CUSHION	1	
8	44543-10G00	PROTECTOR ,SIDE COWLING LH	1	CUT AS REQUIRED
9	94460-15J00-YSF	COWLING ,SIDE LH (BLUE)	1	
10	68691-15J00-AG9	.EMBLEM , "GSXR" LH	1	
11	94477-14J01	CUSHION	1	
12	09139-05064	SCREW (5X13)	2	
13	09321-06013	CUSHION	1	
14	94488-14J00	SCREW ,SIDE COWLING LH	1	
15	94489-14J00	SPACER ,SIDE COWLING LH	1	
16	09320-09016	CUSHION	1	LH
17	94498-14J00	PLATE ,UNDER COWLING CENTER	1	
18	94570-14J00	COVER ,SIDE COWLING RH	1	
19	94443-06G00	.TAPE (6X25X0.13)	1	
20	94580-14J00	COVER ,SIDE COWLING LH	1	
21	94443-06G00	.TAPE (6X25X0.13)	1	
22	94491-14J00	BRACKET ,COVER SIDE RH	1	
23	09139-05064	SCREW (5X13)	2	
24	09139-06062	SCREW (6X12)	1	
25	09320-08013	CUSHION	2	
26	09320-08028	CUSHION	2	
27	94612-31F00	CUSHION ,BRACKET COVER RH	2	
28	94479-35F00	CLIP ,UNDER CTR	2	

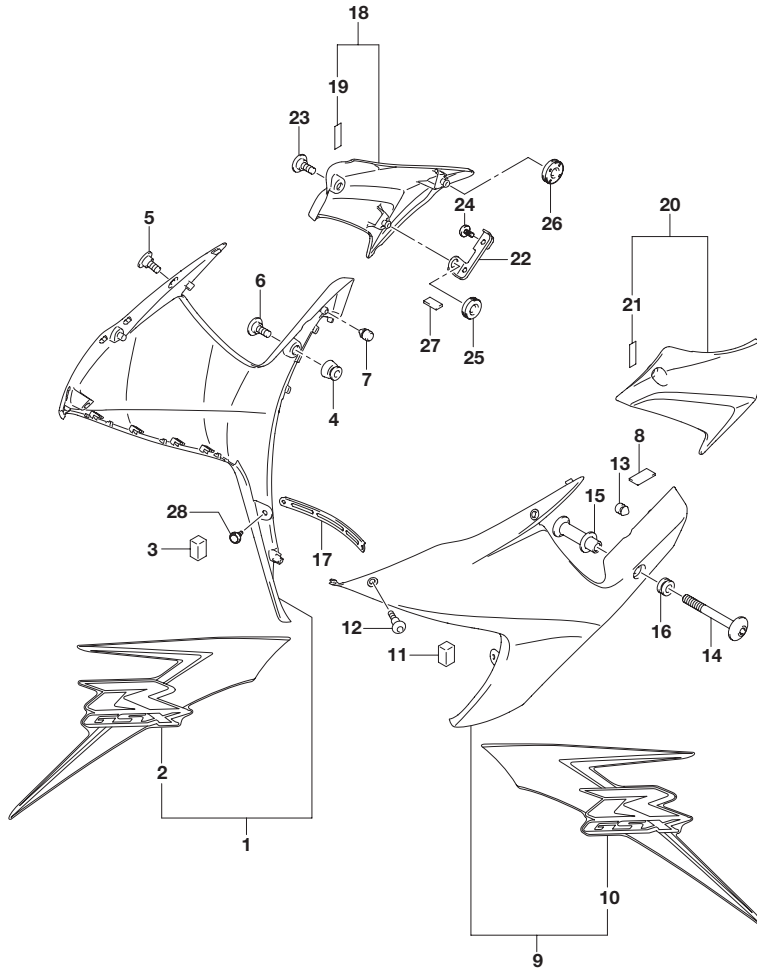
4



FIG.485B

FIG.485B (1-E-15) SIDE COWLING(JSP AR6)

4



REF NO.	PART NO.	DESCRIPTION	Q'TY	REMARKS
1-1	94450-15J30-YVB	COWLING ,SIDE RH(BLACK)	1	FOR JSP
1-2	94450-15J30-YKV	COWLING ,SIDE RH(BLACK)	1	FOR AR6
2-1	68685-15J30-AV2	.TAPE ,SIDE COWLING RH	1	FOR YVB
2-2	68685-15J30-ASD	.TAPE ,SIDE COWLING RH	1	FOR YKV
3	94477-14J01	CUSHION	1	
4	94479-15H00	CUSHION ,SIDE COWLING RH	1	
5	09139-05064	SCREW (5X13)	2	
6	09139-06190	BOLT (6X20)	1	
7	09321-06013	CUSHION	1	
8	44543-10G00	PROTECTOR ,SIDE COWLING LH	1	CUT AS REQUIRED
9-1	94460-15J30-YVB	COWLING ,SIDE LH(BLACK)	1	FOR JSP
9-2	94460-15J30-YKV	COWLING ,SIDE LH(BLACK)	1	FOR AR6
10-1	68695-15J30-AV2	.TAPE ,SIDE COWLING LH	1	FOR YVB
10-2	68695-15J30-ASD	.TAPE ,SIDE COWLING LH	1	FOR YKV
11	94477-14J01	CUSHION	1	
12	09139-05064	SCREW (5X13)	2	
13	09321-06013	CUSHION	1	
14	94488-14J00	SCREW ,SIDE COWLING LH	1	
15	94489-14J00	SPACER ,SIDE COWLING LH	1	
16	09320-09016	CUSHION	1	LH
17	94498-14J00	PLATE ,UNDER COWLING CENTER	1	
18	94570-14J00	COVER ,SIDE COWLING RH	1	
19	94443-06G00	.TAPE (6X25X0.13)	1	
20	94580-14J00	COVER ,SIDE COWLING LH	1	
21	94443-06G00	.TAPE (6X25X0.13)	1	
22	94491-14J00	BRACKET ,COVER SIDE RH	1	
23	09139-05064	SCREW (5X13)	2	
24	09139-06062	SCREW (6X12)	1	
25	09320-08013	CUSHION	2	
26	09320-08028	CUSHION	2	
27	94612-31F00	CUSHION ,BRACKET COVER RH	2	
28	94479-35F00	CLIP ,UNDER CTR	2	

COLOR : JSP=YVB (BLACK) , YVZ (RED)
 : AR6=YKV (BLACK) , RB5 (WHITE)

FIG.487A

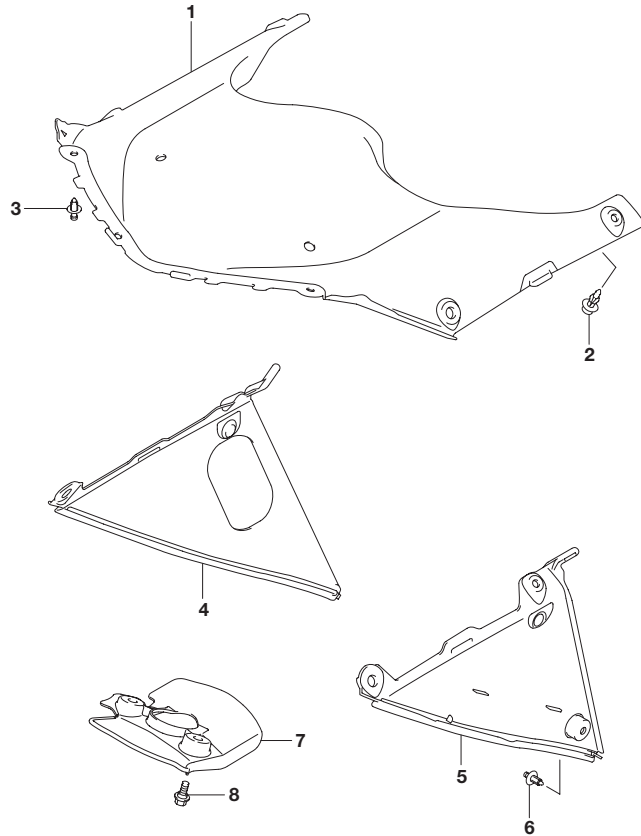


FIG.487A (1-F-2) INNER COWLING

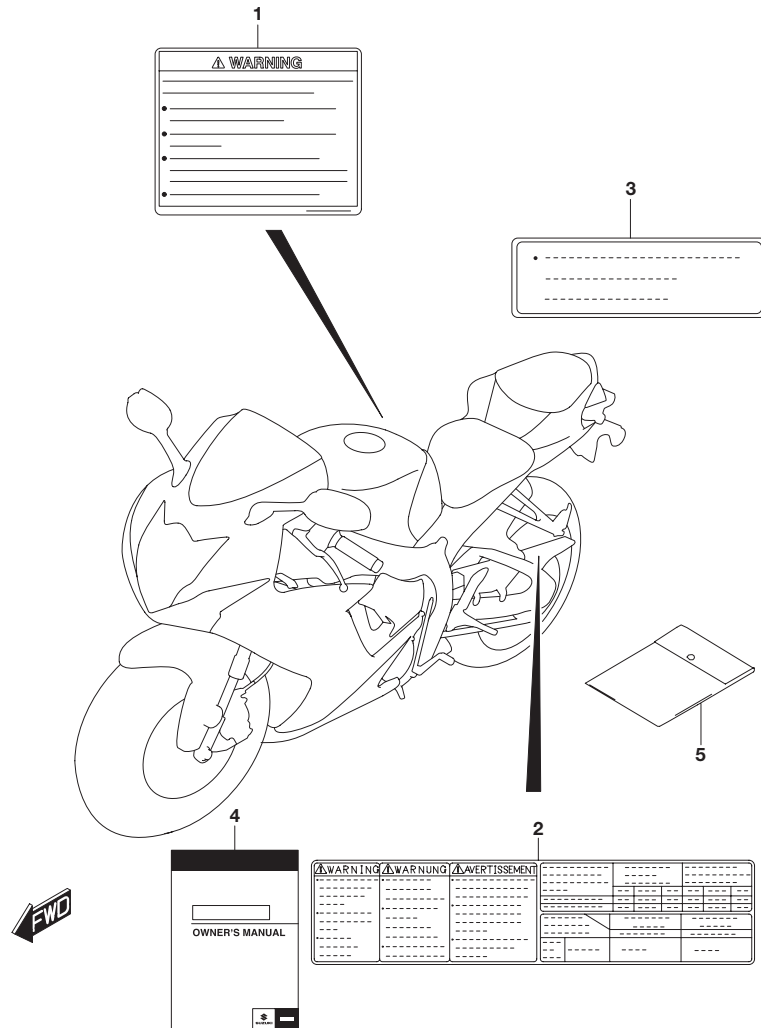
REF NO.	PART NO.	DESCRIPTION	Q'TY	REMARKS
1	94419-14J00	COVER ,BODY COWL	1	
2	09409-06314-5PK	CLIP (BLACK)	6	
3	09409-08308-5ES	CLIP (BLACK)	2	
4	94461-14J00	COWL ,COVER INNER RH	1	
5	94462-14J00	COWL ,COVER INNER LH	1	
6	09409-06329	CLIP	1	
7	94458-01H00	COVER ,LOWER BRACKET	1	
8	09111-06107	BOLT (6X12)	2	



FIG.496A

FIG.496A (1-F-3) LABEL

4



REF NO.	PART NO.	DESCRIPTION	Q'TY	REMARKS
1-1	68319-29F00	LABEL , WARNING(ENGLISH)	1	
1-2	68319-29F20	LABEL , WARNING(GERMAN)	1	
1-3	68319-29F30	LABEL , WARNING(FRENCH)	1	
1-4	68319-29F40	LABEL , WARNING(ITALIAN)	1	
1-5	68319-29F50	LABEL , WARNING(SPANISH)	1	
1-6	68319-29F70	LABEL , WARNING(DUTCH)	1	
1-7	68319-14J80	LABEL , WARNING(PORTUGUESE)	1	
1-8	68319-29F90	LABEL , WARNING(SWEDISH)	1	
1-9	68319-29FA0	LABEL , WARNING(FINNISH)	1	
1-10	68319-29FB0	LABEL , WARNING(NORWEGIAN)	1	
1-11	68319-29FC0	LABEL , WARNING(DANISH)	1	
1-12	68319-30F40	LABEL , WARNING(ITALIAN)	1	
1-13	68319-30F90	LABEL , WARNING(SWEDISH)	1	
1-14	68319-29FP0	LABEL , WARNING(RUSSIAN)	1	
2-1	68332-15J00	LABEL , TIRE INFORMATION (ENGLISH/GERMAN/FRENCH)	1	
2-2	68332-15J20	LABEL , TIRE INFORMATION (RUSSIAN)	1	
3	18803-45G00	LABEL , FUEL INFORMATION	1	
4-1	99011-15J53-01A	MANUAL , OWNER'S(ENGLISH)	1	
4-2	99011-15J53-01F	MANUAL , OWNER'S(FRENCH)	1	
4-3	99011-15J53-01K	MANUAL , OWNER'S(GERMAN)	1	
4-4	99011-15J53-01W	MANUAL , OWNER'S(SWEDISH)	1	
4-5	99011-15J53-070	MANUAL , OWNER'S(RUSSIAN)	1	
4-6	99011-15J53-01E	MANUAL , OWNER'S(ITALIAN)	1	
4-7	99011-15J53-01H	MANUAL , OWNER'S(DUTCH)	1	
4-8	99011-15J53-029	MANUAL , OWNER'S(SPANISH)	1	
5	94980-42A01	BAG , OWNER'S MANUAL	1	

FIG.505A

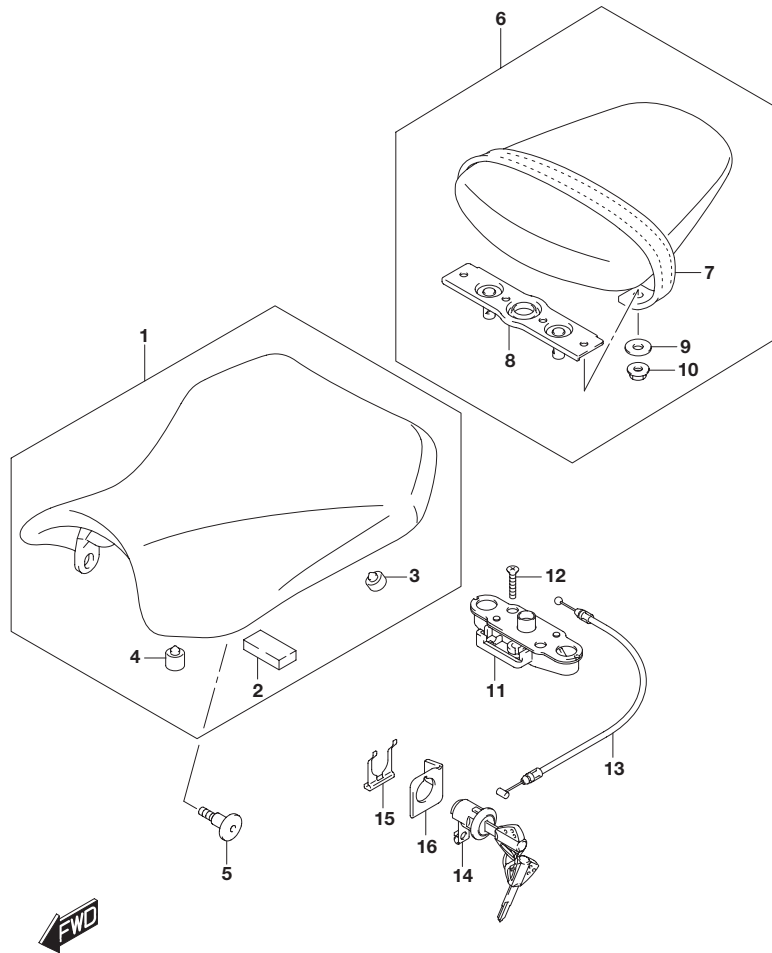


FIG.505A (1-F-4) SEAT

REF NO.	PART NO.	DESCRIPTION	Q'TY	REMARKS
1	45100-14J10-DW2	SEAT ASSY (BLACK)	1	
2	45149-37H00	.CUSHION	1	
3	09321-10011	.CUSHION	4	
4	09321-10034	.CUSHION	2	
5	09139-06193	SCREW (6X20)	2	
6	45300-14J10-P3H	SEAT ASSY ,PILLION(BLACK)	1	
7	45180-14J10-P3H	.BAND ASSY ,SEAT	1	
8	45290-47H01	.STRIKER	1	
9	09160-06088	.WASHER (6.5X20X1.6)	2	
10	08316-1006A	.NUT	2	
11	45220-47H00	BRACKET ,SEAT SUPPORT	1	
12	02122-0630A	SCREW	2	
13	45280-14J00	CABLE ,SEAT LOCK	1	
14	95700-14810	LOCK SET ,SEAT	1	
15	45289-11F00	PLATE ,SEAT LOCK ASSY	1	
16	45288-14F00	GUIDE ,SEAT LOCK CABLE	1	

FIG.521A

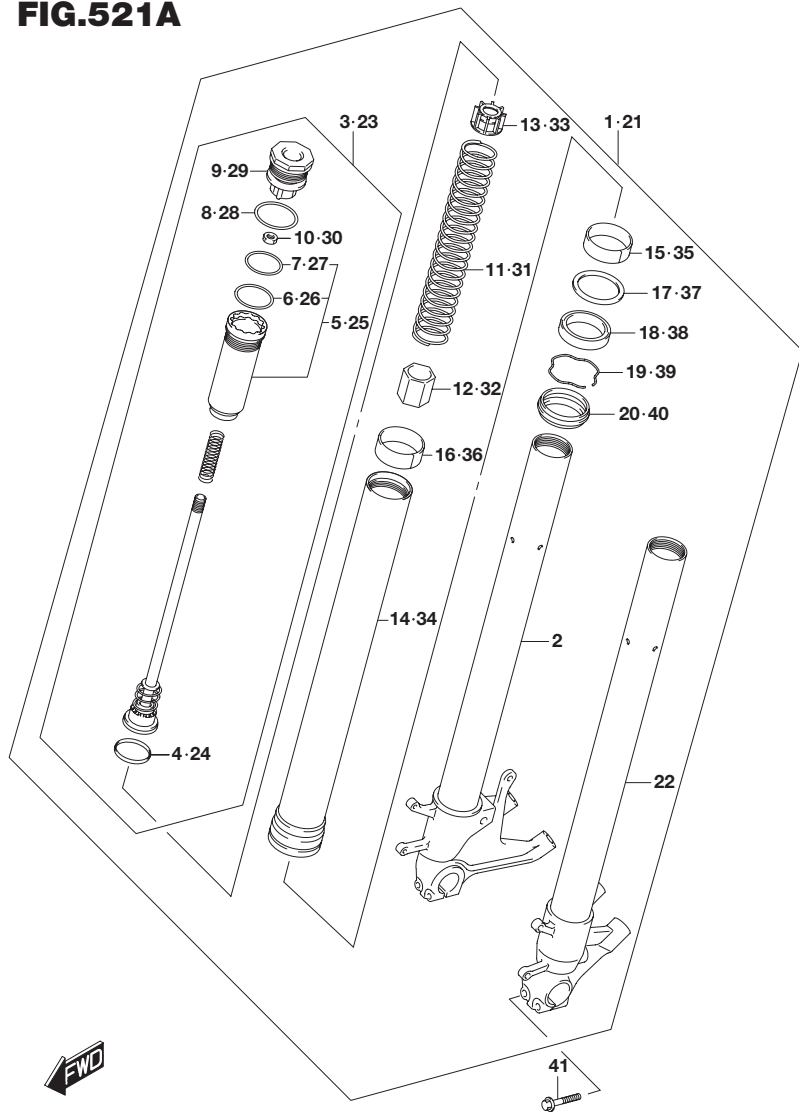


FIG.521A (1-F-5) FRONT FORK DAMPER

REF NO.	PART NO.	DESCRIPTION	Q'TY	REMARKS
1	51103-15J10	DAMPER ASSY ,FRONT FORK RH	1	
2	51110-14J00	..TUBE ,INNER RH	1	
3	52110-15J00	..ROD ,PISTON	1	
4	51118-14J00	..RING ,PISTON	1	
5	51174-14J00	..CASE ,ROD GUIDE	1	
6	51118-14J10	...PISTON RING	1	
7	51187-14J00	...O RING	1	
8	51187-01H00	..O RING	1	
9	51189-14J00	..BOLT	1	
10	51827-29G00	..NUT	1	
11	51171-15J10	..SPRING	1	
12	51176-14J10	..COLLAR ,SPRING	1	
13	51175-14J00	..COLLAR ,SPRING	1	
14	51131-15J00	..TUBE ,OUTER	1	
15	51152-01H10	..BUSH ,GUIDE	1	
16	51152-14J00	..BUSH ,SLIDE	1	
17	51168-38B00	..SPACER ,SEAL	1	
18	51153-01H10	..SEAL ,OIL	1	
19	51556-38B00	..RING ,STOPPER	1	
20	51173-01H00	..SEAL ,DUST	1	
21	51104-15J10	DAMPER ASSY ,FRONT FORK LH	1	
22	51120-14J00	..TUBE ,INNER LH	1	
23	52110-15J00	..ROD ,PISTON	1	
24	51118-14J00	..RING ,PISTON	1	
25	51174-14J00	..CASE ,ROD GUIDE	1	
26	51118-14J10	...PISTON RING	1	
27	51187-14J00	...O RING	1	
28	51187-01H00	..O RING	1	
29	51189-14J00	..BOLT	1	
30	51827-29G00	..NUT	1	

FIG.521A

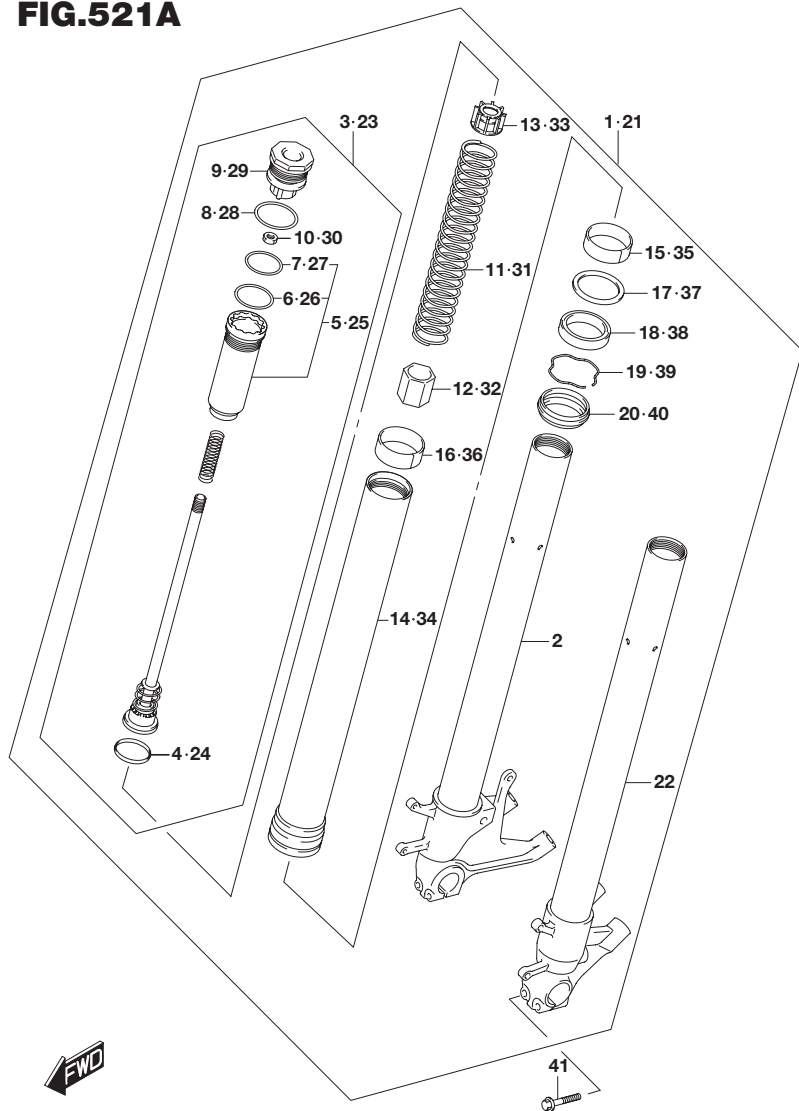


FIG.521A (1-F-6) FRONT FORK DAMPER

REF NO.	PART NO.	DESCRIPTION	Q'TY	REMARKS
31	51171-15J10	.SPRING	1	
32	51176-14J10	.COLLAR ,SPRING	1	
33	51175-14J00	.COLLAR ,SPRING	1	
34	51131-15J00	.TUBE , OUTER	1	
35	51152-01H10	.BUSH ,GUIDE	1	
36	51152-14J00	.BUSH ,SLIDE	1	
37	51168-38B00	.SPACER ,SEAL	1	
38	51153-01H10	.SEAL , OIL	1	
39	51556-38B00	.RING ,STOPPER	1	
40	51173-01H00	.SEAL ,DUST	1	
41	51321-36F00	BOLT	4	

FIG.524A

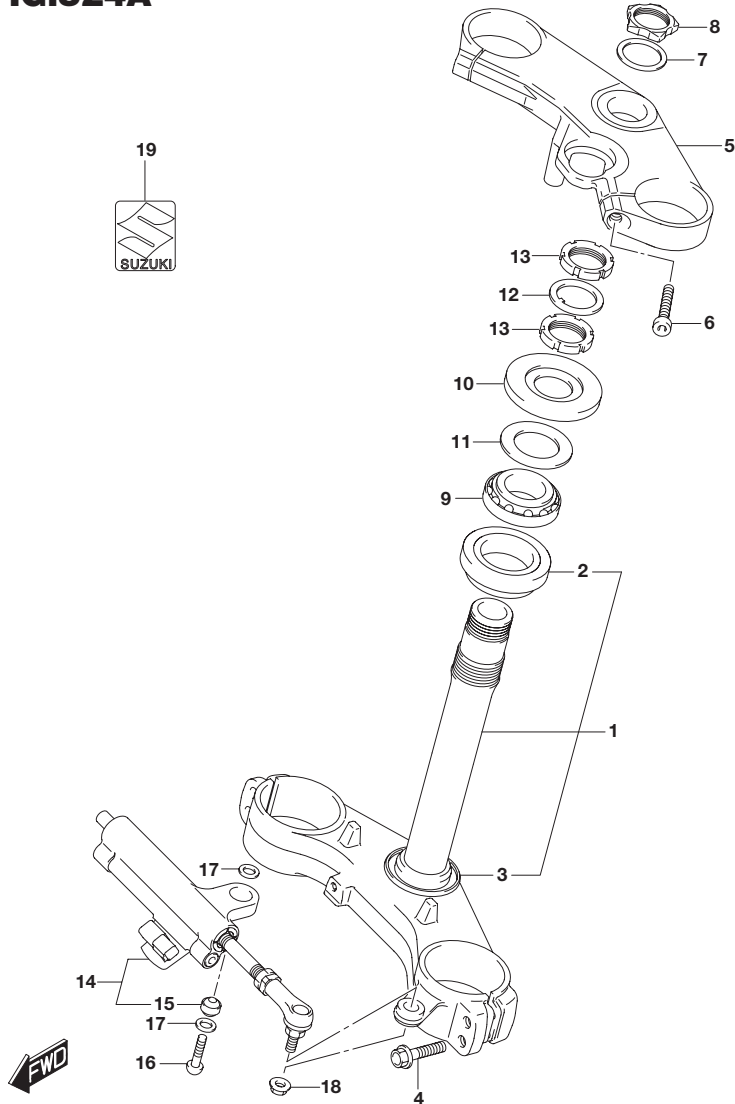


FIG.524A (1-F-7) STEERING STEM

REF NO.	PART NO.	DESCRIPTION	Q'TY	REMARKS
1	51410-01H10	STEM ,STEERING	1	
2	09267-30010	.BEARING (30X55X17)	1	
3	51644-12C00	.SEAL ,STEM LOWER	1	
4	51328-27E30	BOLT	4	
5	51311-01H00	HEAD ,STEERING STEM	1	
6	51321-27E30	BOLT	2	
7	51354-01H00	WASHER	1	
8	51353-01H00	NUT	1	
9	09267-30010	BEARING (30X55X17)	1	
10	51643-41G10	SEAL ,STEM UPPER DUST	1	
11	51644-12C00	SEAL ,UPPER DUST	1	
12	51641-33E00	WASHER ,STEM	1	
13	51631-33E00	NUT ,STEM	2	
14	51750-21H10	DAMPER ASSY ,STEERING	1	
15	09269-08003	.BEARING (8X17.5X11)	1	
16	09106-08130	BOLT (8X35)	1	
17	64339-14101	SEAL ,DUST	2	
18	08319-3108A	NUT	1	
19	68281-47HA0	EMBLEM , "S"	1	

4

FIG.530A

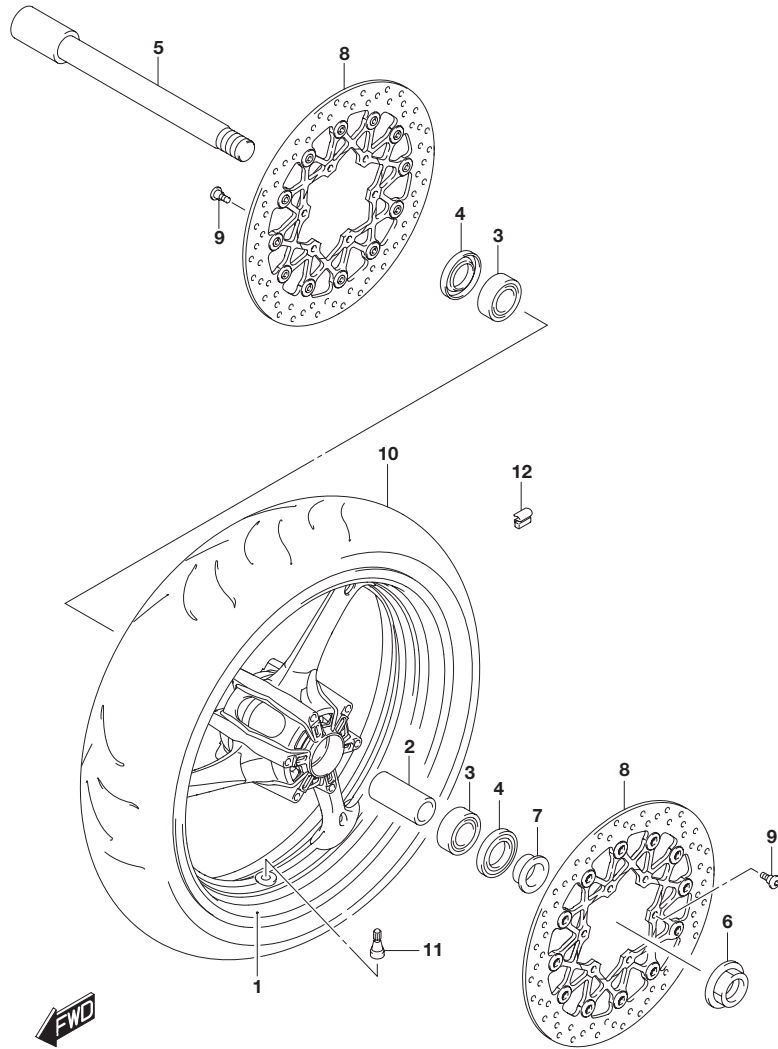


FIG.530A (1-F-8) FRONT WHEEL

REF NO.	PART NO.	DESCRIPTION	Q'TY	REMARKS
1	54111-14J00-019	WHEEL ,FRONT(17M/CXMT3.50)	1	
2	54731-14J00	SPACER ,HUB BEARING	1	
3	09262-22035	BEARING (22X44X12)	2	
4	09283-28016	OIL SEAL (28X44X7.5)	2	
5	54711-14J00	AXLE ,FRONT	1	
6	62994-47H00	NUT ,AXLE	1	
7	54751-14J00	SPACER ,FRONT AXLE RH	1	
8	59210-37H01	DISC ,FRONT BRAKE	2	
9	09106-06124	BOLT (6X21)	12	
10	55110-15J00	TIRE ,FRONT (120/70ZR17M/C ,58W)	1	
11	43130-24A00	VALVE ASSY , WHEEL RIM(TR412)	1	
12-1	55411-22H00	BALANCER ,WHEEL NO.1	AR	10G
12-2	55412-22H00	BALANCER ,WHEEL NO.2	AR	20G
12-3	55413-22H00	BALANCER ,WHEEL NO.3	AR	30G

FIG.535A

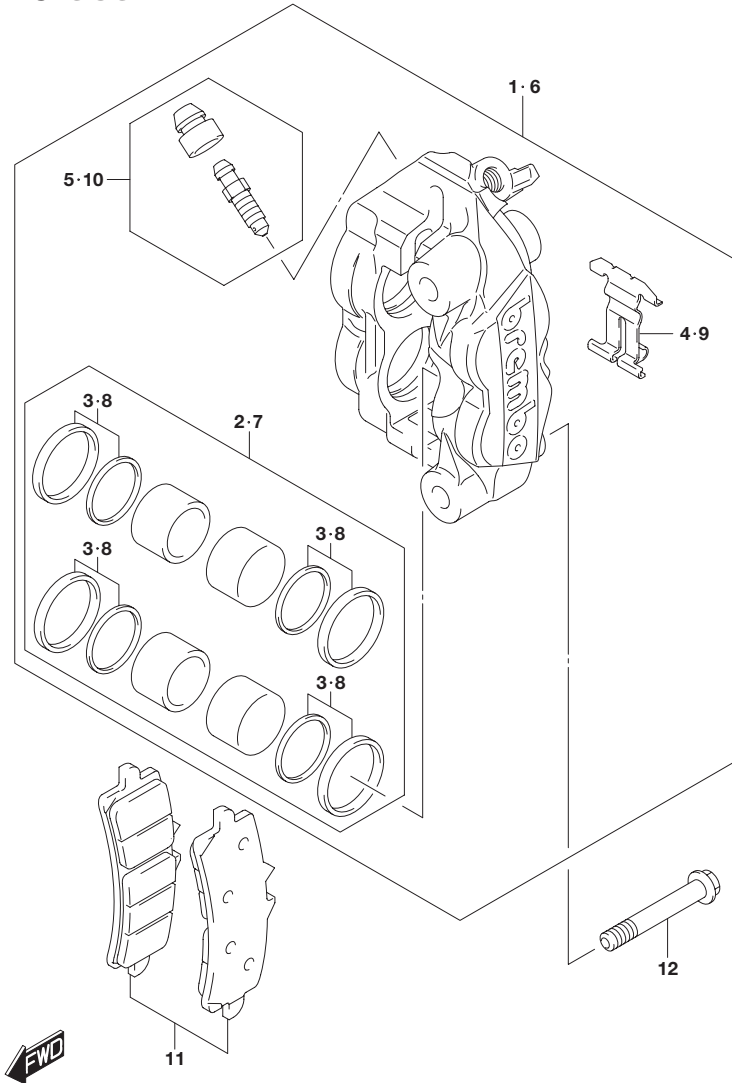


FIG.535A (1-F-9) FRONT CALIPER

REF NO.	PART NO.	DESCRIPTION	Q'TY	REMARKS
1	59100-14J00-999	CALIPER ASSY , FRONT RH	1	
2	59100-14810	.PISTON SET	1	
3	59100-14820	..SEAL SET , PISTON	1	
4	59151-14J00	.SPRING , PAD	1	
5	59100-14840	.BLEEDER SET	1	
6	59300-14J00-999	CALIPER ASSY , FRONT LH	1	
7	59100-14810	.PISTON SET	1	
8	59100-14820	..SEAL SET , PISTON	1	
9	59151-14J00	.SPRING , PAD	1	
10	59100-14840	.BLEEDER SET	1	
11	59100-14830	PAD (13.5) SET	2	PAD BASE PLATE:t=3.5
12	09103-10429	BOLT (10X70)	4	

4

FIG.536A

FIG.536A (1-F-10) FRONT BRAKE HOSE

REF NO.	PART NO.	DESCRIPTION	Q'TY	REMARKS
1	09360-10062	UNION	1	UPPER
2	09360-10062	UNION	1	LH
3	09360-10064	UNION	1	RH
4	09161-10009	WASHER (10X15X1.5)	7	
5	59480-14J00	HOSE ,FRONT BRAKE NO.1	1	
6	59240-14J00	HOSE ,FRONT BRAKE NO.2	1	
7	59260-47H00	CLAMP ,BRAKE HOSE NO.1	1	
8	01547-0612A	BOLT	1	
9	09403-16412	CLAMP	1	

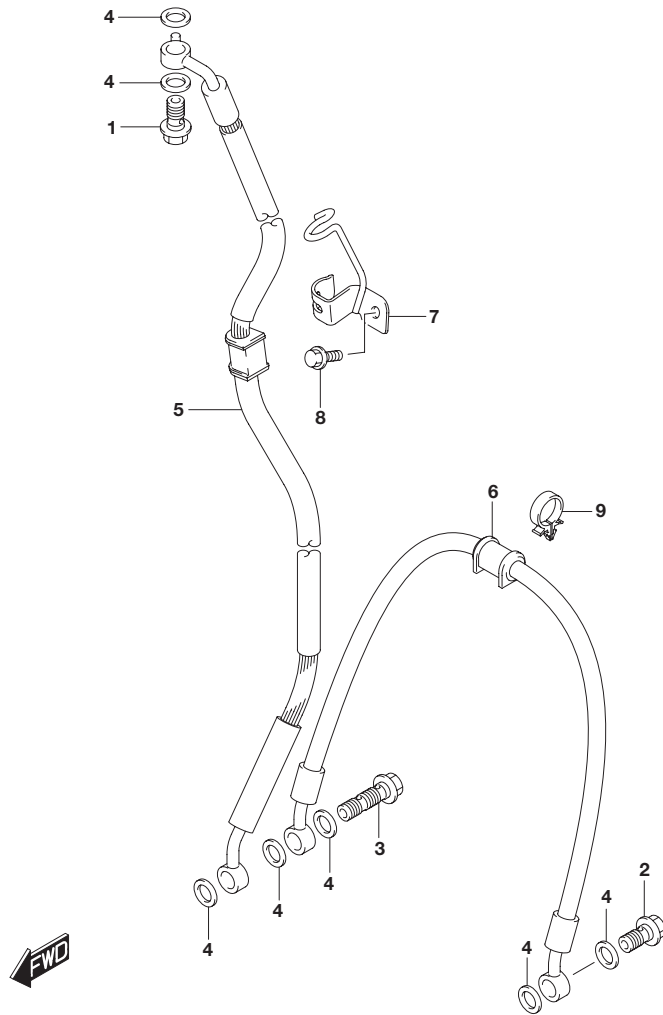


FIG.537A

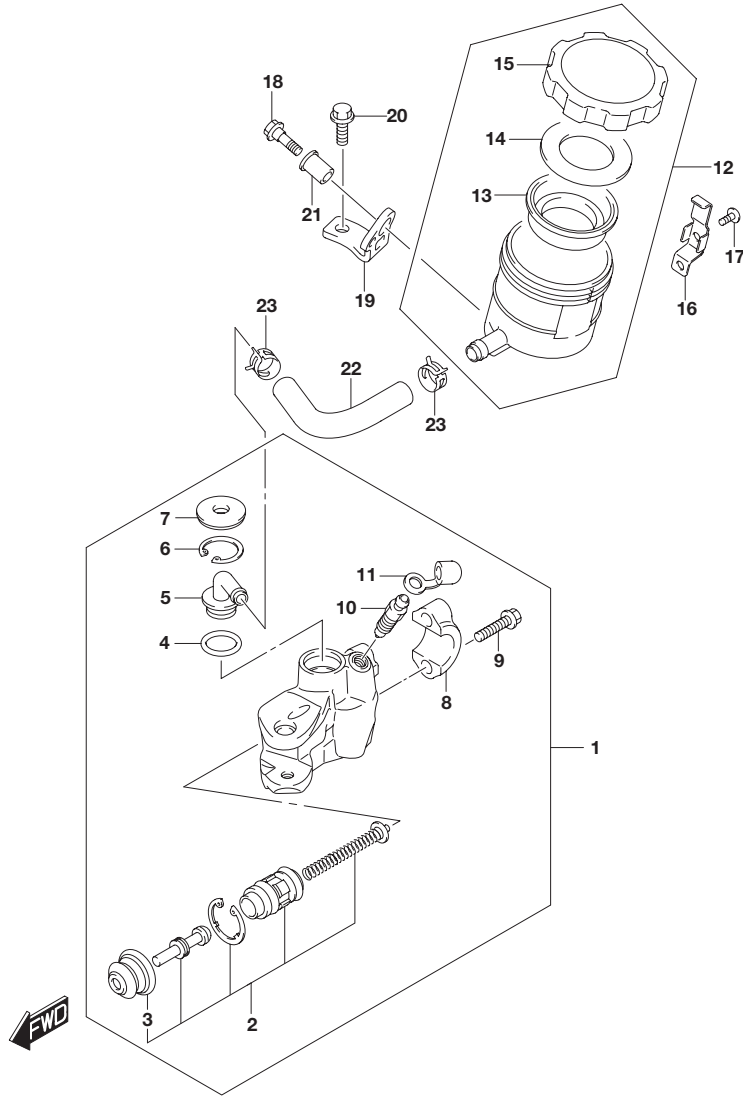


FIG.537A (1-F-11) FRONT MASTER CYLINDER

REF NO.	PART NO.	DESCRIPTION	Q'TY	REMARKS
1	59600-47H00	CYLINDER ASSY ,FRONT MASTER	1	
2	59600-01820	.PISTON & CUP SET	1	
3	59666-29G00	..BOOT	1	
4	69686-34200	.O RING	1	
5	59672-17C00	.CONNECTOR	1	
6	69674-00B20	.CIRCLIP	1	
7	59673-17C00	.COVER ,DUST	1	
8	59671-01H00	.HOLDER	1	
9	59675-02FA0	.BOLT (6X22)	2	
10	59121-01A00	.BLEEDER	1	
11	59122-46H00	.CAP ,BLEEDER	1	
12	59740-47H00	TANK ASSY ,RESERVOIR	1	
13	59667-18441	.DIAPHRAGM	1	
14	59668-18441	.PLATE	1	
15	59669-07D00	.CAP	1	
16	59743-17C00	PLATE ,TANK CAP	1	
17	02142-0410A	SCREW	1	
18	09111-05006	BOLT (5X17)	1	
19	59751-47H10	BRACKET ,RESERVOIR TANK	1	
20	01547-0612A	BOLT	1	
21	09159-05048	NUT	1	
22	59731-47H00	HOSE ,RESERVOIR TANK	1	
23	59735-17C00	CLAMP ,HOSE	2	

4

FIG.541A

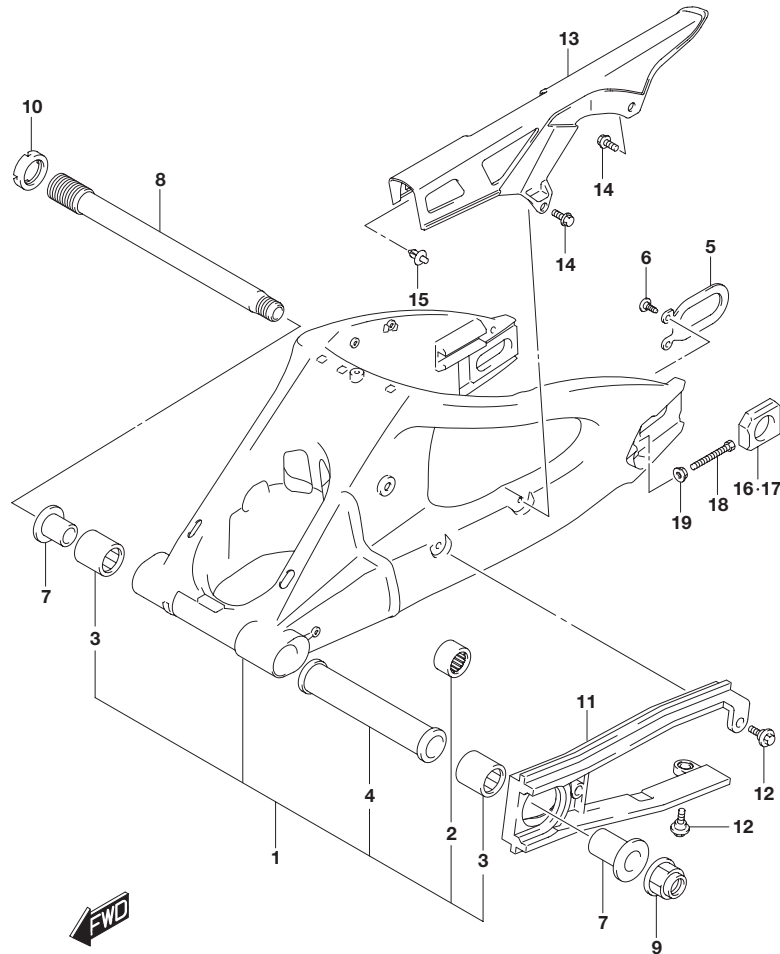


FIG.541A (1-F-12) REAR SWINGINGARM

REF NO.	PART NO.	DESCRIPTION	Q'TY	REMARKS
1	61000-14J00-YAP	SWINGING ARM ASSY ,REAR (BLACK)	1	
2	09263-20070	.BEARING (20X27X30)	1	
3	09263-27013	.BEARING (27X35X35)	2	
4	61281-41G00	.SPACER ,CENTER	1	
5	61124-14J00	PLATE ,BRACKET	1	
6	09125-06060	SCREW (6X12)	1	
7	61251-41G00	SPACER ,BEARING	2	
8	61211-01H00	SHAFT ,PIVOT	1	
9	09159-20006	NUT	1	
10	61214-42E10	NUT ,PIVOT	1	
11	61273-14J00	BUFFER ,CHAIN TOUCH DEFENSE	1	
12	09111-06072	BOLT (6X17.8)	3	
13	61311-14J00	CASE ,CHAIN	1	
14	09111-06107	BOLT (6X12)	2	
15	09409-08308-5ES	CLIP (BLACK)	1	
16	61445-44G00	ADJUSTER ,CHAIN RH	1	
17	61446-44G00	ADJUSTER ,CHAIN LH	1	
18	09100-08287	BOLT (8X50)	2	
19	08316-1008A	NUT	2	

FIG.543A

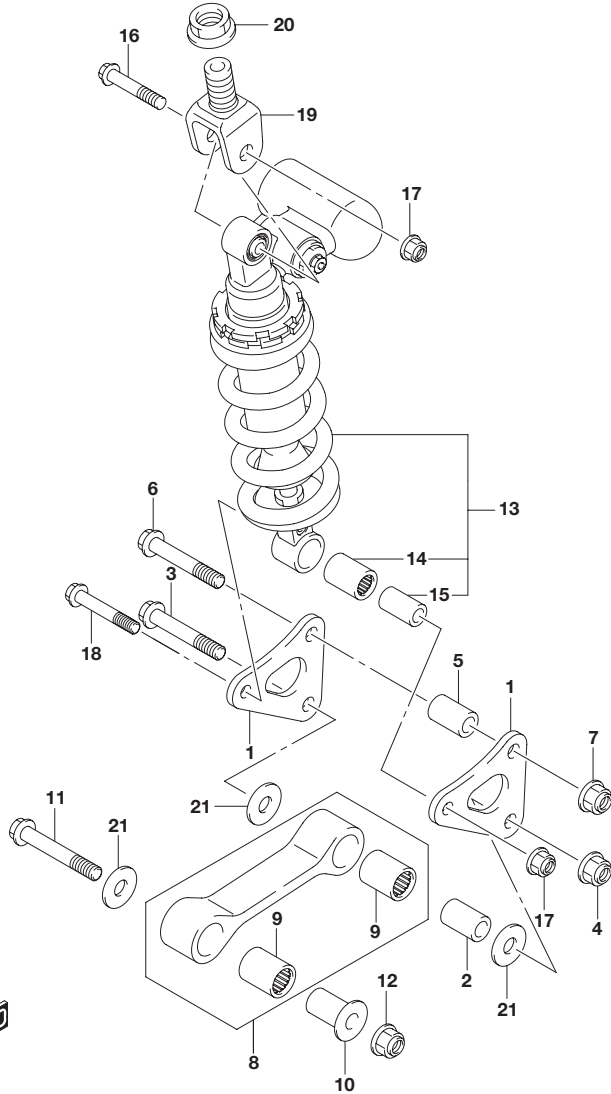


FIG.543A (1-F-13) REAR CUSHION LEVER

REF NO.	PART NO.	DESCRIPTION	Q'TY	REMARKS
1	62611-14J00	LEVER ,REAR CUSHION	2	
2	62317-27C10	SPACER ,LOWER	1	
3	62658-47H00	BOLT ,REAR CUSHION LEVER	1	
4	09159-12056	NUT	1	
5	62317-44B00	SPACER ,UPPER	1	
6	62658-47H00	BOLT ,REAR CUSHION LEVER	1	
7	09159-12056	NUT	1	
8	62602-14860	ROD SET ,REAR CUSHION LEVER	1	
9	09263-20074	.BEARING (20X27X32)	2	
10	62647-47H00	SPACER ,ROD	1	
11	62621-47H00	BOLT ,ROD	1	
12	09159-12056	NUT	1	
13-1	62100-15810-019	ABSORBER ASSY ,REAR SHOCK (BLACK)	1	EU
13-2	62100-15820-019	ABSORBER ASSY ,REAR SHOCK (BLACK)	1	RUSSIA
14	09263-17046	.BEARING (17X24X32)	1	
15	62317-47H00	.SPACER ,RR SHOCK ABS LOWER	1	
16	09103-10143	BOLT (10X55)	1	UPPER
17	09159-10115	NUT	2	
18	62313-47H00	BOLT ,LOWER (10X55)	1	
19	62993-47H00	BRACKET ,ABSORBER	1	
20	62994-47H00	NUT	1	
21	09160-12037	WASHER (12X34X1)	3	

4

FIG.550A

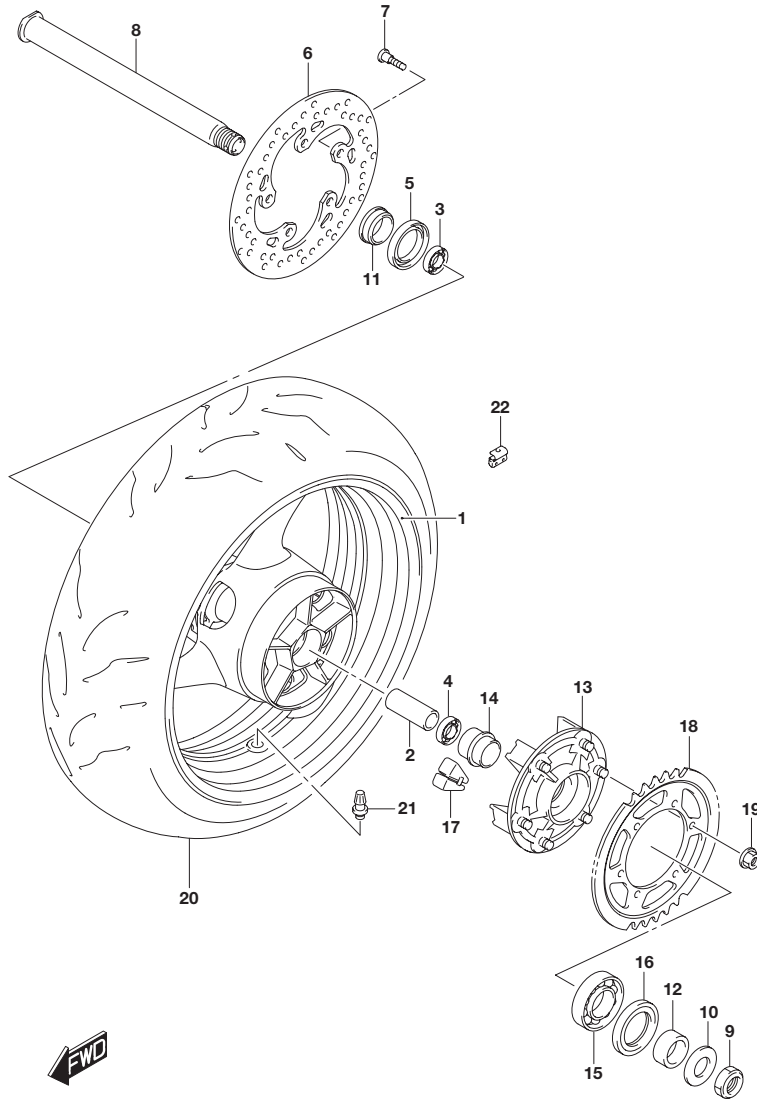


FIG.550A (1-F-14) REAR WHEEL

REF NO.	PART NO.	DESCRIPTION	Q'TY	REMARKS
1	64111-14J00-019	WHEEL ,REAR (17M/CXMT5.50) (BLACK)	1	
2	64731-14J00	SPACER ,HUB BEARING	1	
3	09262-25061	BEARING (25X52X15)	1	RH
4	08123-60057	BEARING	1	LH
5	09285-32004	OIL SEAL (32X52X7)	1	
6	69211-18G00	DISC ,REAR BRAKE	1	
7	09106-08160	BOLT (8X21)	5	
8	64711-14J00	AXLE ,REAR	1	
9	09159-22007	NUT	1	
10	09160-22081	WASHER (22X35X2)	1	
11	54751-41G10	SPACER ,AXLE RH	1	
12	64751-44G00	SPACER ,AXLE LH	1	
13	64610-47H00	DRUM ,REAR SPROCKET	1	
14	64733-44G00	RETAINER ,SPROCKET DRUM	1	
15	09262-32022	BEARING (32X65X17)	1	
16	09285-39001	OIL SEAL (39X65X7)	1	
17	64651-47H10	ABSORBER ,HUB SHOCK	6	
18	64511-15J00	SPROCKET ,REAR (NT:45)	1	
19	08319-3110A	NUT	6	
20	65110-15J00	TIRE ,REAR (180/55ZR17M/C ,73W)	1	
21	43130-24A00	VALVE ASSY ,WHEEL RIM (TR412)	1	
22-1	55411-22H00	BALANCER ,WHEEL NO.1	AR	10G
22-2	55412-22H00	BALANCER ,WHEEL NO.2	AR	20G
22-3	55413-22H00	BALANCER ,WHEEL NO.3	AR	30G

FIG.555A

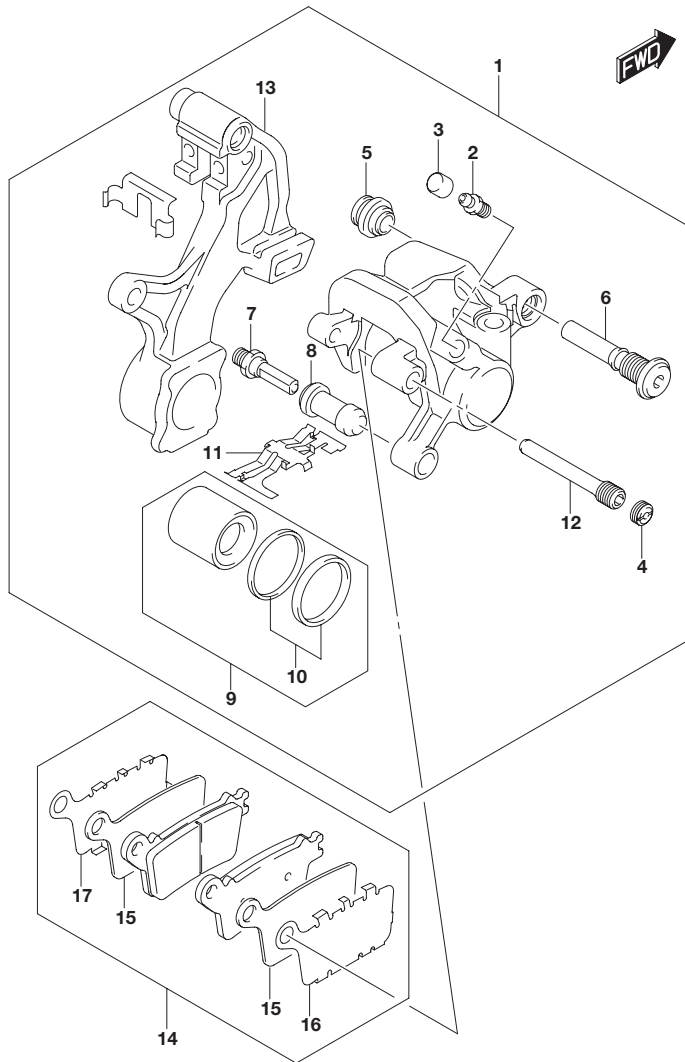


FIG.555A (1-F-15) REAR CALIPER

REF NO.	PART NO.	DESCRIPTION	Q'TY	REMARKS
1	69100-47H10-999	CALIPER ASSY , REAR	1	
2	59121-01A00	.BLEEDER	1	
3	59122-46H00	.CAP , BLEEDER	1	
4	59146-21E10	.PLUG , PIN	1	
5	59303-14500	.BOOT	1	
6	59305-36E00	.PIN , BOLT	1	
7	59382-14500	.PIN	1	
8	59386-13A00	.BOOT	1	
9	69100-47810	.PISTON SET	1	
10	69100-13810	..SEAL SET , PISTON	1	
11	69115-47H00	.SPRING , PAD	1	
12	69141-40F00	.PIN , PAD	1	
13	69150-47H10	.BRACKET , REAR	1	
14	69100-47820	PAD&SHIM SET	1	
15	69132-47H00	.INSULATOR	2	
16	69133-47H00	.RETAINER , PAD	1	
17	69134-47H00	.RETAINER , PAD	1	

4

FIG.558A

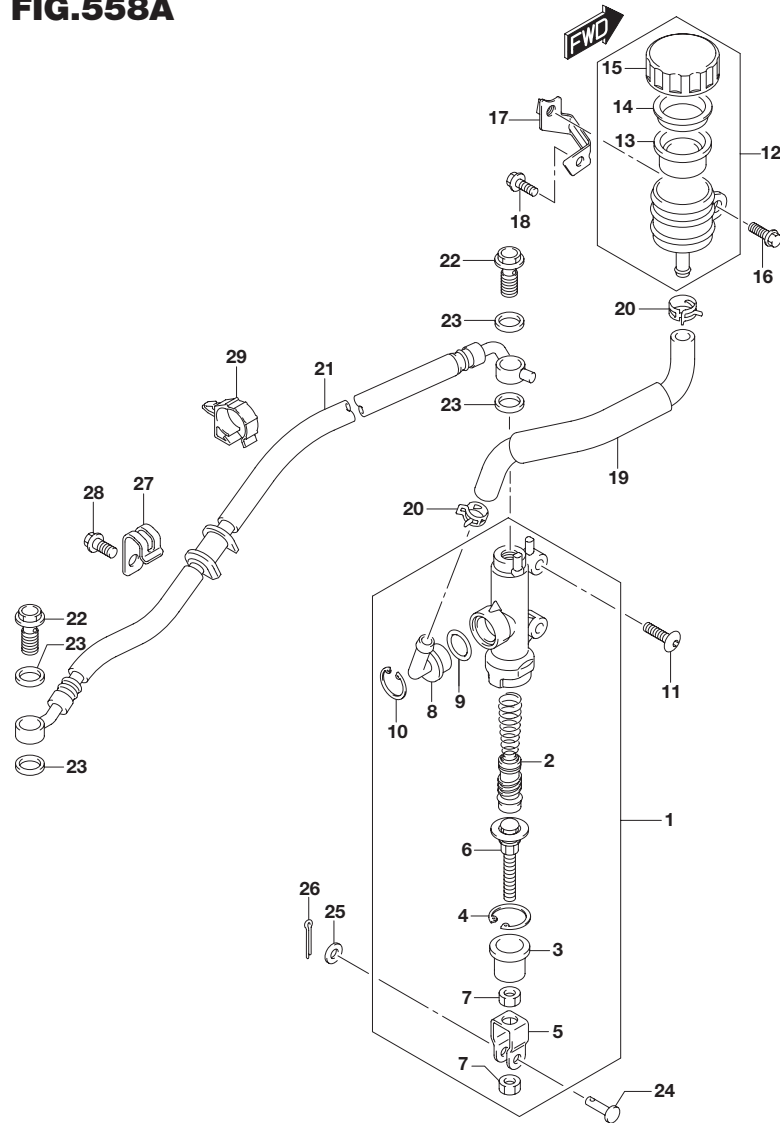


FIG.558A (1-G-2) REAR MASTER CYLINDER

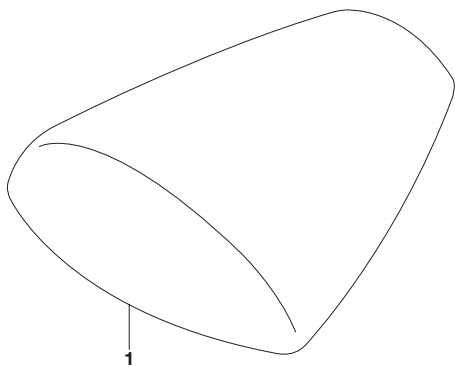
REF NO.	PART NO.	DESCRIPTION	Q'TY	REMARKS
1	69600-47H10	CYLINDER ASSY ,REAR MASTER	1	
2	69600-34810	.PISTON / CAP SET	1	
3	69691-00A00	.BOOT	1	
4	69665-47H00	.CIRCLIP	1	
5	69692-44H00	.YOKE	1	
6	69670-40A00	.ROD ,PUSH	1	
7	69693-05A00	.NUT	2	
8	69672-00B20	.CONNECTOR	1	
9	69686-34200	.O RING	1	
10	69674-00B20	.CIRCLIP	1	
11	09139-06125	SCREW (6X20)	2	
12	69740-47H00	TANK ASSY ,REAR RESERVOIR	1	
13	69667-00B20	.DIAPHRAGM	1	
14	69668-00B20	.PLATE	1	
15	69669-47H00	.CAP	1	
16	01547-0616A	BOLT	1	
17	69750-14J00	BRACKET ,RR RESERVOIR TANK	1	
18	01547-0612A	BOLT	1	
19	69730-14J00	HOSE ,RESERVOIR TANK	1	
20	09401-12404	CLIP	2	
21	69480-14J00	HOSE ,REAR BRAKE	1	
22	09360-10062	UNION	2	
23	09161-10009	WASHER (10X15X1.5)	4	
24	09200-06068	PIN (6X18.2)	1	
25	08322-0106A	WASHER	1	
26	04111-2015A	COTTER PIN	1	
27	69268-21H00	CLAMP ,RR BRAKE HOSE	1	
28	01547-0612A	BOLT	1	
29	09403-17306	CLAMP	1	

FIG.916A

FIG.916A (1-G-4) SEAT TAIL BOX(OPTIONAL)

REF NO.	PART NO.	DESCRIPTION	Q'TY	REMARKS
1	45550-14J00-291	BOX ,SEAT TAIL	1	

4



PARTS NUMBER INDEX

PART NO.	FIG.NO.-REF.NO.	PART NO.	FIG.NO.-REF.NO.	PART NO.	FIG.NO.-REF.NO.
10000		12151-41G00	120A-12	12837-02H00	127A-7
		12160-15J00	120A-1	12891-35F00	126A-4
		12163-35F00	120A-2	12891-47H00	126A-3
		12164-15J00-0A0	120A-4	12892-05C00-120	126A-12
		12164-15J00-0B0	120A-4	12892-05C00-125	126A-12
11100-38H00	103A-1	12164-15J00-0C0	120A-4	12892-05C00-130	126A-12
11115-29G70	103A-5	12164-15J00-0D0	120A-4	12892-05C00-135	126A-12
11117-29G00	103A-8	12164-30G00-0A0	120A-5	12892-05C00-140	126A-12
11141-02H00	101A-2	12164-30G00-0B0	120A-5	12892-05C00-145	126A-12
	103A-6	12164-30G00-0C0	120A-5	12892-05C00-150	126A-12
11171-01H00	102A-1	12164-30G00-0D0	120A-5	12892-05C00-155	126A-12
11173-01H00	101A-3	12228-17E00-0A0	108A-24	12892-05C00-160	126A-12
	102A-2		120A-8	12892-05C00-165	126A-12
11178-01H00	101A-4	12228-17E00-0B0	108A-24	12892-05C00-170	126A-12
	102A-3		120A-8	12892-05C00-175	126A-12
11179-37H00	102A-4	12228-17E00-0C0	108A-24	12892-05C00-180	126A-12
11179-81402	103A-12		120A-8	12892-05C00-185	126A-12
11191-27E00	101A-5	12228-17E00-0D0	108A-23	12892-05C00-190	126A-12
	102A-6		108A-24	12892-05C00-195	126A-12
11269-18G01	163A-20		120A-7	12892-05C00-200	126A-12
11276-14J00	163A-21		120A-8	12892-05C00-205	126A-12
11277-14J00	163A-22	12228-17E00-0E0	108A-24	12892-05C00-210	126A-12
11301-15830	108A-1		120A-8	12892-05C00-215	126A-12
11318-35F00	108A-25	12228-17E00-0F0	108A-24	12892-05C00-220	126A-12
11319-33E50	108A-2		120A-8	12911-15J00	126A-5
11322-01H00	108A-52	12229-02H00-0A0	120A-9	12912-15J00	126A-6
11329-02F00	108A-27	12229-02H00-0B0	120A-9	12921-02H01	126A-7
11341-37H00	112A-1	12229-02H00-0C0	120A-9	12931-29G00	126A-8
11342-41G10	112A-3	12229-02H00-0D0	120A-9	12932-32C00	126A-10
11351-01H02	112A-12	12229-02H00-0E0	120A-9	12933-29G00	126A-9
11352-01H00	112A-13	12229-40F50-0A0	124A-4	13101-15J00	103A-19
11361-01H00	112A-22	12229-40F50-0B0	124A-4	13150-01H01	108A-43
11371-01H00	108A-41	12229-40F50-0C0	124A-4	13268-48700	140A-4
11372-01H00	108A-44	12600-01810	122A-7	13269-33E00	140A-5
11390-35F00	108A-28	12611-01H00	122A-1	13295-29900	140A-2
11401-01831	101A-1	12612-01H00	122A-2	13406-15J20	140A-1
11482-01H00	101A-6	12654-02H00	124A-1	13437-14J00	142A-16
	112A-2	12666-01H00	124A-2	13471-18H00	142A-17
11483-01H00	101A-7	12686-40F00	124A-3	13473-14J00	142A-1
	112A-14	12710-15J00	126A-1	13473-14J10	142A-2
11484-01H00	101A-8	12720-15J00	126A-2	13473-29G00	142A-3
	108A-42	12731-01H00	120A-14	13575-29G00	140A-8
11489-01H01	101A-9	12760-39F00	127A-1	13580-14J00	140A-6
	116A-2	12771-37H00	127A-2	13580-14J10	140A-7
11511-01H00	116A-1	12782-29G00	127A-3	13601-29G00	142A-5
11971-25D00	112A-8	12800-05830	126A-13	13602-29G00	142A-4
11971-33210	108A-39	12811-02H00	127A-4	13605-02F00	140A-9
12000-02850	120A-6	12812-31G00	127A-5	13605-37H00	140A-11
12111-02H10-0F0	120A-10	12830-37H00	127A-6	13606-47A00	140A-3
12140-02H00	120A-11	12837-02H00	101A-10	13650-14G10	155A-20

PART NO.	FIG.NO.-REF.NO.	PART NO.	FIG.NO.-REF.NO.	PART NO.	FIG.NO.-REF.NO.
13650-49X00	103A-23	15420-05H00	172A-11	17863-01H00	187A-6
13655-14G10	155A-21	15610-14J00	172A-12	17910-14J00	187A-11
13679-37H00	140A-12	15620-29G00	142A-18	17931-02FA0	187A-12
13683-10F60	142A-13	15625-29G00	155A-24	17981-18G00	187A-14
13683-14J00	142A-11	15630-29G10	155A-23	17982-37H00	187A-15
13683-14J10	142A-12	15710-14J00	142A-7	17995-14JP0	185A-16
13683-29G00	142A-14	15710-14J10	142A-9	18117-14J01	140A-10
13685-02FA0	142A-15	15717-58B00	142A-8	18213-23H01	163A-31
13697-14J00	155A-25		142A-10	18450-01H00	189A-1
13698-14J00	140A-13	15721-08J00	142A-6	18461-14J00	189A-6
13698-14J10	140A-14	15722-14J00	142A-19	18471-14J00	189A-7
13720-14J00	155A-1	15810-14J00	172A-16	18510-29G31	189A-4
13740-14J00	155A-11	16310-01H00	116A-18	18610-14J00	189A-2
13746-14J00	155A-12	16321-01H00	116A-14	18711-14J00	189A-5
13756-14J00	155A-2	16331-01H00	116A-16	18803-45G00	496A-3
13757-14J00	155A-3	16400-01H00	116A-10		
13760-14J00	155A-13	16440-24F00	116A-19		
13780-14J00	155A-14	16461-01H00	178A-4		
13788-14J00	155A-4	16471-14J00	178A-5		
13826-02H12	103A-21	16510-07J00	178A-7		
13831-47H00	155A-18	16520-01H00	116A-21	21200-01840	201A-1
13850-14J00	155A-5	16591-06B01	108A-20	21253-01H10	201A-2
13878-10G00	155A-7	16600-01H00	178A-1	21410-41G30	201A-6
13881-15J00	155A-15	17400-01H10	180A-1	21412-06G00	201A-7
13882-15J00	155A-16	17415-20920	180A-13	21413-01H10	201A-8
14100-15J00	163A-1	17418-33400	180A-7	21444-29F00	201A-9
14181-46E00	101A-11	17432-07G00	180A-5	21441-35F10	201A-10
	163A-2	17435-33400	180A-8	21441-36F30	201A-11
14250-21H00	163A-23	17461-01H00	180A-4	21442-41G00	201A-12
14252-14J00	163A-24	17470-02F10	180A-3	21451-41G10	201A-13
14310-15J00-H01	163A-10	17491-01H00	180A-2	21451-41G30	201A-14
14458-14J00	163A-11	17511-01H00	180A-6	21462-41G00	201A-15
14459-21H40	163A-12	17661-37H00	187A-18	21471-41G00	201A-16
14770-14J00	163A-7	17662-01H00	187A-19	21472-41G20	201A-17
14771-42F10	163A-13	17663-01H00	187A-20	21611-41G30	201A-18
14773-14J00	163A-8	17670-76G00	187A-21	21612-41G10	201A-19
14780-14J00	163A-27	17710-14J00	185A-1	21621-41G00	201A-20
14795-10FA0	163A-28	17711-14G00	185A-9	21622-41G00	201A-22
15100-14J00	172A-1	17730-14G00	185A-2	21623-41G00	201A-23
15111-27G00	172A-2	17741-14J00	185A-13	21624-41G00	201A-21
15112-05H00	172A-3	17742-14J00	185A-14	23110-38B00	201A-29
15113-05H00	172A-4	17750-14J00	185A-6	23111-35F00	201A-30
15113-35F00	172A-5	17771-14J00	185A-11	23121-41G00	201A-31
15114-14J00	172A-6	17800-14J00	185A-8	23122-41G10	201A-32
15115-14J00	172A-7	17802-14F00	185A-10	23123-41G00	201A-33
15116-10F00	172A-8	17851-14J00	187A-1	23125-41G00	201A-34
15119-23H00	172A-9	17852-14J00	187A-2	23271-41G21	201A-35
15181-14J00	172A-10	17853-14J00	187A-3	24120-15J00	206A-1
15201-35F00	101A-17	17854-14J00	187A-8	24131-14J00	206A-18
	172A-14	17861-01H00	187A-5	24221-35F00	206A-2

PART NO.	FIG.NO.-REF.NO.	PART NO.	FIG.NO.-REF.NO.	PART NO.	FIG.NO.-REF.NO.
24231-01H00	206A-3	31100-14J10	301A-1	35638-10G50	334A-7
24251-01H00	206A-4	31132-38F10	301A-2	35652-47H00	334A-13
24252-35F00	206A-5	31143-49040	301A-3	35653-47H00	334A-18
24261-01H01	206A-6	31156-17E00	112A-4		334A-26
24262-35F10	206A-7	31156-98E00	301A-5	35658-41G00	334A-16
24311-35F20	206A-19	31264-38F10	301A-4	35672-47H00	334A-21
24321-35F11	206A-20	31280-38F10	301A-6	35678-41G00	334A-24
24322-35F00	206A-21	31401-01H20	304A-2	35710-14JA0	339A-1
24331-40F30	206A-22	31402-01H20	304A-1	35716-07A30	334A-17
24332-46H00	206A-23	31791-14J00	304A-4		334A-25
24333-02F00	206A-24	31800-06G00	312A-1	35726-14J00	339A-2
24341-40F20	206A-25	31861-47E00	312A-3	35910-41GA0	339A-8
24351-01H20	206A-26	32371-13E30	304A-3	35912-41G01	339A-9
24361-01H00	206A-27	32800-47H00	312A-5	35913-41G00	339A-10
	206A-28	32830-14J00	312A-6	35917-41G00	339A-11
24741-01H00	201A-47	32920-15J70	312A-14	36118-29G51	333A-7
24751-14J00	206A-44	33110-14J00	306A-2	36610-14JA0	350A-1
24771-01810	206A-45	33115-33E00	306A-3	36618-18G00	350A-5
25211-01H01	212A-1	33220-01H00	306A-1	36618-43A10	350A-14
25231-01H01	212A-2	33410-38H00	312A-13	36618-47H00	350A-7
25310-01H00	212A-5	33610-14G11	310A-1	36620-14J10	350A-6
25312-42F01	212A-7	33624-16G00	310A-6	36630-14J10	350A-8
25350-06G00	212A-12	33624-18H10	310A-4	36654-06J00	350A-2
25355-01H00	212A-13	33652-13E00	480A-10	36851-14J00	350A-13
25357-01H00	212A-14	33652-16G00	310A-2	36859-14J00	350A-15
25358-01H00	212A-15	33652-21G10	334A-10	37000-17840	350A-19
25381-13E30	212A-8	33810-14J00	310A-3	37100-14J00	350A-20
25411-35F00	212A-3	33820-14J00	310A-5	37146-41G00	350A-30
25510-01H00	212A-16	33860-14J00	310A-7	37175-14J00	333A-8
25512-06G10	212A-17	33960-27G00	312A-15	37200-47H30	355A-1
25518-01H00	212A-19	33970-47H01	312A-16	37400-14J00	355A-5
25519-01H00	212A-18	34111-14J00	330A-3	37730-14J00	212A-40
25520-01H00	212A-28	34120-15J00	330A-1	37740-14J00	350A-22
25525-01H00	212A-29	34149-18G00	330A-8	37820-33D10	116A-8
25600-14J00	212A-30	34150-47H00	330A-2	37822-33D00	116A-9
25617-03F10	212A-32	34810-14J00	172A-13	37840-18J00	350A-24
25652-20C00	212A-31	34955-13E00	330A-7	38500-14J00	350A-26
25671-01011	212A-20	34955-33E00	330A-4	38610-03F00	334A-32
25681-14J00	212A-33	34981-38G01	330A-9	38740-24X50	350A-28
25712-37H00	212A-4	34990-35F00	330A-10		350A-29
27510-20A20	206A-37	35100-14J01-999	333A-1		
27531-14J00	206A-38	35179-01H00	333A-2		
27600-33E40-116	206A-39	35179-58J00	333A-3		
27620-33E40	206A-40	35601-41G00	334A-1		
		35602-41G00	334A-5		
		35603-47H00	334A-12	41100-15J00-YAP	401A-1
		35604-47H00	334A-20	41211-14J00-YUG	401A-2
		35610-41G00	334A-2	41221-14J00-YUG	401A-3
		35618-10G50	334A-3	41233-18G20	401A-9
		35630-41G00	334A-6	41770-01H00	401A-4

30000

40000

PART NO.	FIG.NO.-REF.NO.	PART NO.	FIG.NO.-REF.NO.	PART NO.	FIG.NO.-REF.NO.	PART NO.	FIG.NO.-REF.NO.
41911-40F01	401A-10	44278-14J00	423A-7				
41921-35F00	401A-12	44280-14J20-RB5	423A-14				
41922-18G00	401A-13	44280-14J20-YSF	423A-14				
42310-14J00	407A-1	44280-14J20-YVB	423A-14				
42330-14J01	407A-7	44284-14J00	423A-17				
42411-47H00	407A-2	44423-14J00	420A-18	51103-15J10	521A-1		
42730-14J00	401A-6	44424-14J00	420A-19	51104-15J10	521A-21		
42740-37H00	401A-5	44424-14J10	420A-20	51110-14J00	521A-2		
42751-14J00	401A-7	44425-09E00	420A-21	51118-14J00	521A-4		
43110-41G00	407A-9	44511-16G00	420A-12				
43130-24A00	530A-11	44512-16G00	420A-13	51118-14J10	521A-6		
	550A-21	44530-41G00	420A-10				
43511-14J00	415A-4	44542-41G00	420A-9	51120-14J00	521A-22		
43516-37H00	415A-6	44543-10G00	485A-8	51131-15J00	521A-14		
43521-47H10	415A-5		485B-8				
43526-37H00	415A-7	44543-14J00	420A-5	51152-01H10	521A-15		
43531-41G10	415A-8	44546-44H00	420A-11				
43541-14J00	415A-1	44556-33H00	474A-6	51152-14J00	521A-16		
43551-14J00	415A-2	44561-18G00	420A-17				
43571-47H00	415A-14	44572-02F01	333A-4	51153-01H10	521A-18		
43576-07D01	415A-13						
43576-47H10	415A-15						
43577-35F00	415A-16						
43600-14J10	415A-17	44572-13G00	420A-6	51171-15J10	521A-11		
43611-37H00	415A-18	44572-37H00	474A-12				
43621-37H00	415A-27	44574-35F00	420A-24	51173-01H00	521A-20		
43700-14J10	415A-26	45100-14J10-DW2	505A-1				
43816-47H00	415A-22	45149-37H00	505A-2	51174-14J00	521A-5		
43826-47H00	415A-31	45180-14J10-P3H	505A-7				
44100-14J42-RB5	420A-1	45220-47H00	505A-11	51175-14J00	521A-13		
44100-14J42-YSF	420A-1	45280-14J00	505A-13				
44100-14J42-YVB	420A-1	45288-14F00	505A-16	51176-14J10	521A-12		
44170-14J00	423A-1	45289-11F00	505A-15				
44172-14J00	423A-2	45290-47H01	505A-8	51187-01H00	521A-8		
	423A-6	45300-14J10-P3H	505A-6				
44173-14J00	423A-19	45550-14J00-291	916A-1	51187-14J00	521A-7		
44177-14J01	423A-20	46312-31D11	187A-24				
44180-14J00	423A-5	47100-15J10-RB5	445A-1	51189-14J00	521A-9		
44191-14J00	420A-4	47100-15J10-YVZ	445A-1				
44200-16850	420A-2	47100-15J10-YVW	445A-1	51311-01H00	524A-5		
44270-14J20-RB5	423A-9	47117-46400	339A-13	51321-27E30	524A-6		
44270-14J20-YSF	423A-9	47161-10FA0	483A-11	51321-36F00	521A-41		
44270-14J20-YVB	423A-9	47200-15J10-RB5	445A-6	51328-27E30	524A-4		
44273-14J00	423A-11	47200-15J10-YVZ	445A-6	51353-01H00	524A-8		
	423A-16	47200-15J10-YVW	445A-6	51354-01H00	524A-7		
44274-14J00	423A-12	47300-14J00	445A-11	51410-01H10	524A-1		
44276-21H00	420A-8	47312-37H00	445A-14	51556-38B00	521A-19		
44277-14J00	423A-13	47611-14J00	445A-2				
	423A-18	47621-14J00	445A-7	51631-33E00	524A-13		
	423A-3	48128-14FA0	445A-12	51641-33E00	524A-12		

50000

5

5

PART NO.	FIG.NO.-REF.NO.	PART NO.	FIG.NO.-REF.NO.	PART NO.	FIG.NO.-REF.NO.
51643-41G10	524A-10	58300-14J10	462A-21	61000-14J00-YAP	541A-1
51644-12C00	524A-3	58620-14J00	462A-17	61124-14J00	541A-5
	524A-11	59100-14J00-999	535A-1	61211-01H00	541A-8
51750-21H10	524A-14	59100-14810	535A-2	61214-42E10	541A-10
51827-29G00	521A-10		535A-7	61251-41G00	541A-7
52110-15J00	521A-30	59100-14820	535A-3	61273-14J00	541A-11
	521A-3		535A-8	61281-41G00	541A-4
	521A-23	59100-14830	535A-11	61311-14J00	541A-13
53100-47H00-YVW	460A-1	59100-14840	535A-5	61445-44G00	541A-16
53100-47H10-YGS	460A-1		535A-10	61446-44G00	541A-17
54111-14J00-019	530A-1	59121-01A00	537A-10	61544-94500	185A-12
54711-14J00	530A-5		555A-2	62100-15810-019	543A-13
54731-14J00	530A-2	59122-46H00	537A-11	62100-15820-019	543A-13
54751-14J00	530A-7		555A-3	62313-47H00	543A-18
54751-41G10	550A-11	59146-21E10	555A-4	62317-27C10	543A-2
55110-15J00	530A-10	59151-14J00	535A-4	62317-44B00	543A-5
55411-22H00	530A-12		535A-9	62317-47H00	543A-15
	550A-22	59210-37H01	530A-8	62602-14860	543A-8
55412-22H00	530A-12	59240-14J00	536A-6	62611-14J00	543A-1
	550A-22	59260-47H00	536A-7	62621-47H00	543A-11
55413-22H00	530A-12	59300-14J00-999	535A-6	62647-47H00	543A-10
	550A-22	59303-14500	555A-5	62658-47H00	543A-3
56111-14J00	462A-1	59305-36E00	555A-6		543A-6
56131-29G00	462A-3	59382-14500	555A-7	62993-47H00	543A-19
56151-14J00	462A-2	59386-13A00	555A-8	62994-47H00	530A-6
56200-41822	462A-5	59480-14J00	536A-5		543A-20
56272-10G00	462A-8	59600-01820	537A-2	63111-14J00	474A-1
56273-10G10	462A-9	59600-47H00	537A-1	63112-14J00	474A-3
56500-47H01	462A-10	59666-29G00	537A-3	63113-14J00	474A-4
56515-47H01	462A-11	59667-18441	537A-13	63114-14J01	474A-7
56600-47H01	462A-12	59668-18441	537A-14	64111-14J00-019	550A-1
56615-47H01	462A-13	59669-07D00	537A-15	64339-14101	524A-17
56619-41G01	462A-15	59671-01H00	537A-8	64511-15J00	550A-18
57110-21H01	467A-1	59672-17C00	537A-5	64610-47H00	550A-13
57211-21H00	467A-7	59673-17C00	537A-7	64651-47H10	550A-17
57300-29G30	467A-2	59675-02FA0	537A-9	64711-14J00	550A-8
57431-29G00	467A-3	59731-47H00	537A-22	64731-14J00	550A-2
57431-41G00	467A-10	59735-17C00	537A-23	64733-44G00	550A-14
57460-14J01	467A-5	59740-47H00	537A-12	64751-44G00	550A-12
57465-17C00	467A-6	59743-17C00	537A-16	65110-15J00	550A-20
57500-41G20	467A-8	59751-47H10	537A-19	68111-47HA0	423A-10
57532-41G00	467A-11			69665-47H00	423A-15
57560-41G20	467A-13			68131-15J00-CVR	445A-3
57562-41G20	467A-14			68131-15J00-RB5	445A-8
57621-41G00	467A-9			68131-15J00-G3S	445A-3
57641-33E21	467A-16				445A-8
57642-33E00	467A-18			68131-15J00-JWH	445A-3
57644-33E00	467A-17	60000			445A-8
58200-14J00	462A-16			68181-33C20-019	483A-2
58300-14J00	462A-20				483A-12

PART NO.	FIG.NO.-REF.NO.	PART NO.	FIG.NO.-REF.NO.	PART NO.	FIG.NO.-REF.NO.
68281-24F10-019	481A-2	69686-34200	558A-9	94478-14J00	483A-5
68281-47HA0	524A-19	69691-00A00	558A-3	94479-14J00	483A-9
68319-14J80	496A-1	69692-44H00	558A-5	94479-14J10	483A-4
68319-29FA0	496A-1	69693-05A00	558A-7	94479-15H00	485A-4
68319-29FB0	496A-1	69730-14J00	558A-9		485B-4
68319-29FC0	496A-1	69740-47H00	558A-12	94479-35F00	480A-15
68319-29FP0	496A-1	69750-14J00	558A-17		483A-9
68319-29F00	496A-1				485A-28
68319-29F20	496A-1				485B-28
68319-29F30	496A-1			94480-14J00-ASX	483A-10
68319-29F40	496A-1				
68319-29F50	496A-1	90000		94480-14J00-RB5	483A-10
68319-29F70	496A-1			94480-14J00-YVW	483A-10
68319-29F90	496A-1			94488-14J00	485A-14
68319-30F40	496A-1				485B-14
				94489-14J00	485A-15
68319-30F90	496A-1	92146-14J00	481A-3		485B-15
68332-15J00	496A-2	94410-14J10-YVZ	481A-1	94491-14J00	485A-22
68332-15J20	496A-2	94410-14J10-6CX	481A-1		485B-22
68641-14J00-AHB	481A-2	94410-14J20-YKV	481A-1	94498-14J00	485A-17
68641-19F00-YVW	481A-2	94419-14J00	487A-1		485B-17
68681-15J00-AG9	485A-2	94420-14J10	480A-3	94511-14J00	481A-12
68685-15J30-ASD	485B-2	94423-14J00	480A-6	94570-14J00	485A-18
68685-15J30-AV2	485B-2	94430-14J10	480A-4		485B-18
68691-15J00-AG9	485A-10	94433-14J00	480A-7	94575-14J00	462A-14
68695-15J30-ASD	485B-10	94443-06G00	445A-4	94580-14J00	485A-20
68695-15J30-AV2	485B-10				
69100-13810	555A-10		445A-9		485B-20
69100-47H10-999	555A-1		445A-13	94611-14J00	481A-5
69100-47810	555A-9		480A-2	94612-31F00	485A-27
69100-47820	555A-14		485A-19		485B-27
			485A-21	94671-14J10-YKV	480A-1
69115-47H00	555A-11		485B-19	94671-14J10-YUA	480A-1
69132-47H00	555A-15		485B-21	94671-14J10-YVB	480A-1
69133-47H00	555A-16	94443-21H00	334A-11	94672-14J00-RB5	480A-9
69134-47H00	555A-17	94450-15J00-YSF	485A-1	94672-14J00-YVB	480A-9
69141-40F00	555A-12	94450-15J30-YKV	485B-1	94672-14J00-YVW	480A-9
69150-47H10	555A-13				
69211-18G00	550A-6	94450-15J30-YVB	485B-1	94682-14J00-RB5	480A-11
69268-21H00	558A-27	94458-01H00	487A-7	94682-14J00-YVB	480A-11
69480-14J00	558A-21	94460-15J00-YSF	485A-9	94682-14J00-YVW	480A-11
69600-34810	558A-2	94460-15J30-YKV	485B-9	94980-42A01	496A-5
		94460-15J30-YVB	485B-9	95700-14810	505A-14
69600-47H10	558A-1				
69665-47H00	558A-4	94461-14J00	487A-4	99000-69491	126A-14
69667-00B20	558A-13	94462-14J00	487A-5	99011-15J53-01A	496A-4
69668-00B20	558A-14	94470-14J00-ASX	483A-1	99011-15J53-01E	496A-4
69669-47H00	558A-15	94470-14J00-RB5	483A-1	99011-15J53-01F	496A-4
		94470-14J00-YVW	483A-1	99011-15J53-01H	496A-4
69670-40A00	558A-6				
69672-00B20	558A-8	94476-14J00	483A-6	99011-15J53-01K	496A-4
69674-00B20	537A-6	94477-14J01	485A-3	99011-15J53-01W	496A-4
			485A-11	99011-15J53-029	496A-4
			485B-3	99011-15J53-070	496A-4
69686-34200	537A-4		485B-11		

PART NO.	FIG.NO.-REF.NO.	PART NO.	FIG.NO.-REF.NO.	PART NO.	FIG.NO.-REF.NO.
00000		03211-0412A	334A-27	08331-4130A	108A-40
		03211-0416A	334A-14	08331-41349	206A-47
			334A-22	08332-1106A	415A-12
		03511-0512A	334A-30		415A-23
	03511-0516A	155A-22		415A-32	
01500-0625A	212A-37	03541-0412A	334A-29	08361-2508A	163A-19
01547-0516A	163A-25	03541-0512A	445A-5	08361-3506A	301A-8
01547-0612A	355A-4		445A-10	09100-06099	180A-12
	355A-8		480A-16	09100-06171	122A-8
	462A-18		483A-8	09100-08287	541A-18
	536A-8		483A-17	09103-06188	108A-53
	537A-20	03541-0516A	339A-7	09103-06204	116A-4
	558A-18		481A-8	09103-06212	112A-17
	558A-28	03541-0520A	155A-17		301A-7
01547-0616A	108A-45	04111-2015A	558A-26	09103-06213	112A-7
	558A-16	04211-09129	112A-23	09103-06222	103A-9
01547-0620A	187A-7	04211-09149	112A-16		112A-20
	187A-22		116A-13	09103-06223	201A-36
01547-0620B	467A-15	04211-09189	112A-5	09103-06224	112A-24
01547-0625A	116A-3	04211-11169	103A-7	09103-06238	112A-18
01547-0630A	108A-13	04221-04089	120A-3	09103-06239	112A-25
	108A-46		212A-6	09103-06257	112A-26
01547-0635A	108A-3	06111-07004	415A-21	09103-06266	103A-2
	116A-11		415A-30	09103-06274	112A-19
	180A-15	07120-0512A	330A-11	09103-06285	116A-17
01547-0645A	108A-14	07120-0612A	172A-15		401A-8
01547-0665A	108A-4	07120-0650A	103A-11	09103-08097	108A-8
01550-0612A	185A-7	07130-0510A	306A-4	09103-08207	481A-13
01550-0616A	185A-15		306A-5	09103-08339	108A-12
	189A-3	07130-0512A	304A-5	09103-08358	163A-14
	312A-10	07130-0616A	306A-6	09103-08392	163A-15
01550-0616B	350A-27	07130-0620A	304A-6	09103-09012	108A-9
01550-0620A	350A-25	07130-0625A	127A-8	09103-09014	108A-10
01550-0625A	187A-23	07130-0825B	330A-12	09103-10041-A05	108A-47
01550-0816A	163A-9	08123-60057	550A-4	09103-10143	543A-16
01550-0850A	108A-5	08211-10285	120A-16	09103-10145	108A-48
01550-0855A	108A-11	08310-0006A	201A-46	09103-10189	120A-15
01550-0860A	108A-6		212A-38	09103-10429	535A-12
01550-0865A	108A-15	08313-2008A	481A-14	09106-05017	420A-3
01550-0875A	108A-7	08316-1006A	163A-26	09106-05023	212A-42
01550-0885A	108A-16		312A-12	09106-06075	108A-30
02112-0530B	355A-2		505A-10	09106-06099	178A-3
02112-0535B	355A-6	08316-1008A	541A-19	09106-06119	420A-16
02112-0616A	180A-9	08319-2106A	467A-4	09106-06124	530A-9
02122-0630A	505A-12	08319-3106A	467A-12	09106-07021	102A-5
02122-0640B	462A-6	08319-3108A	524A-18	09106-08130	524A-16
02142-0410A	537A-17	08319-3110A	550A-19	09106-08160	550A-7
02142-0520B	333A-14	08322-0106A	558A-25	09106-08165	163A-3
02142-1520B	445A-20	08331-3112A	212A-39	09106-08167	212A-34
03211-0412A	334A-19	08331-3114A	212A-27	09106-08185	401A-11

PART NO.	FIG.NO.-REF.NO.	PART NO.	FIG.NO.-REF.NO.	PART NO.	FIG.NO.-REF.NO.
09106-08185	462A-4	09139-06159	206A-49	09164-12021	122A-6
09106-08186	415A-3	09139-06172	163A-29	09164-24008	201A-27
	415A-35	09139-06190	483A-15	09167-27001	206A-8
09106-10064	407A-8		485A-6	09168-06018	103A-4
	415A-9		485B-6		112A-21
09106-10069	108A-50	09139-06192	420A-14	09168-06023	103A-10
09106-10070	108A-51	09139-06193	505A-5		108A-17
09111-05006	537A-18	09140-06025	212A-35		112A-6
09111-06072	474A-5	09148-04021	334A-28		116A-5
	541A-12	09148-05038	334A-31	09168-06025	180A-10
09111-06085	187A-13	09148-05047	481A-11	09168-08016	108A-18
09111-06089	155A-19	09148-05052	480A-12		180A-14
09111-06107	474A-2		481A-10	09168-10031	108A-19
	487A-8	09159-05019	445A-16	09168-12002	108A-35
	541A-14		481A-9	09168-12017	103A-24
09116-06148	312A-17	09159-05048	537A-21	09168-14002	116A-7
09116-06182	312A-9	09159-06096	339A-15	09168-16002	108A-36
09118-06097	185A-3	09159-10103	407A-4	09168-16009	103A-17
09118-08152-A05	163A-4	09159-10115	108A-49	09169-05018	333A-13
09119-08100	350A-21		543A-17	09180-06264	339A-14
09120-06007	103A-22	09159-12056	543A-4	09180-06283	445A-17
09125-05042	462A-22		543A-7	09180-06290	185A-4
09125-05133	481A-6		543A-12	09180-06325	312A-7
09125-05134	481A-7	09159-20004	206A-41	09180-08152	163A-5
09125-06060	541A-6	09159-20006	541A-9		163A-17
09126-06014	212A-21	09159-22007	550A-9	09181-08139	201A-24
09128-06013	312A-4	09159-24010	201A-25	09181-10158	116A-15
09132-03008	330A-5	09160-05501	339A-4	09181-12167	122A-5
09132-04032	334A-9	09160-06012	420A-15	09181-14195	212A-26
09132-05050	480A-14	09160-06077	474A-9	09181-16214	407A-3
09134-06015	201A-37	09160-06088	505A-9	09181-22223	206A-35
09136-05062	333A-12	09160-06131	462A-7	09181-23002	124A-5
09136-06056	445A-15	09160-08091	415A-25	09200-06068	558A-24
09136-06147	212A-9		415A-34	09206-08007	103A-3
09139-05064	485A-5	09160-08142	163A-16	09206-12007	122A-3
	485A-12	09160-10020	201A-38	09208-08018	415A-10
	485A-23	09160-12011	212A-36	09208-08020	415A-19
	485B-5	09160-12037	543A-21		415A-28
	485B-12	09160-14016	212A-22	09241-26004	108A-31
	485B-23	09160-15045	201A-39	09246-05006	108A-32
09139-05074	339A-3	09160-22081	550A-10	09247-14036	116A-6
09139-06062	485A-24	09160-25009	206A-42	09248-12004	108A-33
	485B-24	09160-25056	201A-26	09248-16012	103A-16
09139-06125	558A-11	09160-25073	201A-3	09248-16013	108A-34
09139-06131	460A-3	09160-25077	201A-28	09259-36021	112A-10
09139-06146	460A-4	09160-27008	206A-9	09261-06003	206A-17
09139-06151	108A-22		206A-36	09262-22035	530A-3
09139-06153	201A-48	09161-10009	536A-4	09262-25006	212A-10
09139-06158	474A-8		558A-23	09262-25061	550A-3
09139-06159	206A-48	09164-06006	180A-11	09262-25150	206A-11

5

5

PART NO.	FIG.NO.-REF.NO.	PART NO.	FIG.NO.-REF.NO.	PART NO.	FIG.NO.-REF.NO.
09262-28045	206A-29	09285-20006	206A-12	09401-12414	187A-9
09262-32022	550A-15	09285-32004	550A-5	09401-14301	155A-8
09263-10014	201A-40	09285-39001	550A-16	09401-14403	187A-10
09263-12023	122A-4	09289-04002	126A-11	09401-15101	155A-6
09263-12027	201A-41	09300-22008	206A-31		155A-26
09263-14027	212A-23	09320-06504	445A-18	09401-17201	155A-9
09263-15003	201A-42	09320-07014	333A-5		189A-8
09263-17046	543A-14	09320-08013	485A-25	09401-17401	155A-27
09263-20069	206A-46		485B-25		189A-9
09263-20070	541A-2	09320-08028	480A-8	09402-22512	178A-6
09263-20074	543A-9		485A-26	09402-35501	187A-4
09263-20087	206A-10		485B-26	09403-04310	350A-16
09263-25018	212A-11	09320-08047	481A-15	09403-06322	355A-3
09263-27013	541A-3	09320-08066	163A-30		355A-7
09263-35015	201A-4		312A-8	09403-14311	483A-13
09263-35045	201A-5	09320-08071	420A-7	09403-16412	536A-9
09267-30010	524A-2	09320-09016	460A-2	09403-17306	558A-29
	524A-9		483A-14	09404-06429	163A-32
09269-08003	524A-15		485A-16		187A-17
09280-00043	108A-21		485B-16		330A-6
09280-04004	103A-15	09320-09039	333A-6		350A-17
	108A-29	09320-10049	339A-5	09404-06433	312A-11
09280-08012	108A-37	09320-10051	185A-5	09407-10404	339A-6
09280-08013	415A-24	09320-12048	163A-18	09407-11401	350A-9
	415A-33	09320-12077	163A-6	09407-14403	350A-12
09280-11001	103A-13	09321-06013	485A-7	09407-14407	350A-10
09280-13004	116A-20		485A-13	09407-17403	350A-11
09280-15007	101A-12		485B-7		462A-19
	116A-12		485B-13	09408-00262	142A-20
09280-17003	101A-13	09321-10011	505A-3	09409-06314-5PK	445A-19
09280-20002	112A-9	09321-10018	483A-7		480A-5
09280-24010	108A-26		483A-16		480A-13
09280-25004	206A-43	09321-10034	505A-4		487A-2
	101A-14	09352-11153-600	407A-11	09409-06329	487A-6
	116A-22	09352-12163-600	420A-22	09409-07305-5PK	155A-10
09280-26005	212A-41	09360-10062	536A-1	09409-08308-5ES	487A-3
09280-33004	101A-15		536A-2		541A-15
	112A-11		558A-22	09440-05003	415A-20
09280-46006	103A-20	09360-10064	536A-3		415A-29
09280-57003	474A-11	09367-06007	420A-23	09443-06087	350A-23
09280-64003	178A-2	09380-27004	206A-15	09443-11033	407A-10
09280-68010	206A-50	09380-27006	206A-13	09443-14070	407A-5
09280-71008	101A-16		206A-14	09443-19016	407A-6
	112A-15		206A-32	09444-20001	212A-25
09282-10012	201A-43		206A-33	09448-14037	415A-11
09283-06010	201A-44		206A-34	09462-00033	350A-18
09283-14005	212A-24	09381-15001	120A-13	09471-12140	339A-12
09283-28016	530A-4	09390-62012	206A-16	09471-12186	334A-4
09283-42018	206A-30	09401-08411	187A-16		334A-8
09285-10004	201A-45	09401-12404	558A-20		334A-15

PART NO.	FIG.NO.-REF.NO.	PART NO.	FIG.NO.-REF.NO.	PART NO.	FIG.NO.-REF.NO.
09471-12186	334A-23				
09471-12188	333A-10				
09471-12216	333A-11				
09471-12222	333A-9				
09481-10501	350A-3				
09481-15501	350A-4				
09481-30101	312A-2				
09482-00555	103A-18				
09482-00556	103A-18				
09482-00557	103A-18				
09482-00558	103A-18				
09482-00559	103A-18				
09482-00560	103A-18				
09493-28012	108A-38				
09493-80005	103A-14				
09800-21056	474A-10				

SUZUKI **GSX-R750L4** PARTS CATALOGUE

© 2014 Suzuki Motor Corporation. All rights reserved.

No part of this document may be modified, reproduced, distributed, sold or transmitted in any form or by any means, electronic or mechanical, for any purpose, without the express written permission of Suzuki Motor Corporation.

Moto Map

Sales Network

1

INFORMATION
ILLUSTRATION INDEX

2

ENGINE
TRANSMISSION

3

ELECTRICAL

4

BODY

5

PARTS NUMBER INDEX

