

**SUZUKI**  
**PARTS CATALOGUE**

**VZR1800L4**

(CA121)

BOULEVARD M109R



Way of Life!

INFORMATION  
ILLUSTRATION INDEX

**1**

ENGINE  
TRANSMISSION

**2**

ELECTRICAL

**3**

BODY

**4**

PARTS NUMBER INDEX

**5**

## PREFACE

When it becomes necessary to replace parts on SUZUKI MOTORCYCLES, always use SUZUKI GENUINE PARTS which have passed a strict inspection which guarantees quality and performance.

This parts catalogue covers the list of all service parts for SUZUKI VZR1800L4.

### INSTRUCTIONS FOR QUOTING THE CATALOGUE

#### 1. DIMENSIONS

Dimensions of the parts in this catalogue are indicated in unit millimeters.

#### 2. ABBREVIATIONS

Abbreviations used in this catalogue are as follows:

AR	: As required	NT	: Number of teeth
ASSY	: Assembly	OPT	: Optional
E.No.	: Engine number	OS	: Over size
F.No.	: Frame number	STD	: Standard
D	: Diameter of material	T	: Thickness
ID	: Inside diameter	US	: Under size
OD	: Outside diameter	W	: Width
L	: Length		
LH	: Left hand side		
RH	: Right hand side		
~100045	: Up to F.No.100045		
100046-	: From F.No.100046		

12 x 34 x 5.6 ..... Figures in the description column  
show the dimensions of parts.

ID OD T(or W, L)

12345-56781 (Parts No.) : indicates that the parts number was changed to 12345-56781 and the new parts are interchangeable with the former ones but the former ones are not interchangeable with new ones.

12345-56781 (Parts No.) : indicates that the former and new parts are interchangeable with each other and both are usable.

#### 3. INNER PARTS OF ASSEMBLY

Part name with a dot (.) in front as shown in the description column indicates the component of the assembly also available individually.

#### 4. MODIFICATION NOTICE

A parts bulletin will be sent to you on all occasions when changes in parts occur, including interchangeable modifications between new parts and old ones.

#### 5. NOTE

5-1. There are some different parts from those of production models among spare parts for the administrative reasons and common use of them with other models.

5-2. In respect of rubber hoses and vinyl tubes, please be sure to use them by cutting off according to the length mentioned on parts catalogue or what is actually required on the vehicle.

5-3. Note that the drawings on the illustration page are for ready reference of spare parts number, not to be used as an assembly manual.  
When assembling, use "SUZUKI SERVICE MANUAL".

#### 6. SPECIFICATION CODE

This catalogue contains the parts for the model designed for the following spec.;  
spec. code: E24.

#### 7. SERIAL FRAME NUMBER

VZR1800L4(E24) : JS1CA121300104091 ~

# 1

COLOR CHART  
TABLEAU DES COULEURS

MILLIMETER INCH CONVERSION CHART

COLOR NO. NO DE COULEUR	COLOR DESCRIPTION DESCRIPTION DE COULEUR	COLOR NO. NO DE COULEUR	COLOR DESCRIPTION DESCRIPTION DE COULEUR
YD8	SONIC SILVER METALLIC		
YVB	GLASS SPARKLE BLACK		
019	BLACK		
12Z	SILVER METALLIC (CAST WHEEL)		
13L	BRIGHT SILVER METALLIC		
48H	BLACK		
5PK	BLACK		

	0	1	2	3	4	5	6	7	8	9
00	.000	.039	.079	.118	.157	.197	.236	.276	.315	.354
10	.394	.433	.472	.512	.551	.591	.630	.669	.709	.748
20	.787	.827	.866	.906	.945	.984	1.024	1.063	1.102	1.142
30	1.181	1.220	1.260	1.299	1.339	1.378	1.417	1.457	1.496	1.535
40	1.575	1.614	1.654	1.693	1.732	1.772	1.811	1.850	1.890	1.929
50	1.969	2.008	2.047	2.087	2.126	2.165	2.205	2.214	2.283	2.323
60	2.362	2.402	2.441	2.480	2.520	2.559	2.598	2.638	2.677	2.717
70	2.756	2.795	2.835	2.874	2.913	2.953	2.992	3.031	3.071	3.110
80	3.150	3.189	3.228	3.268	3.307	3.346	3.386	3.425	3.465	3.504
90	3.543	3.583	3.622	3.661	3.701	3.740	3.780	3.819	3.858	3.898

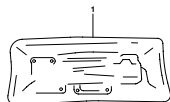
How to read

	0	1	2	3	4
00	---	---	---	---	---
10	---	---	---	---	---
20	---	---	---	0.906	---
30	---	---	---	---	---

23 millimeters equal 0.906 inch

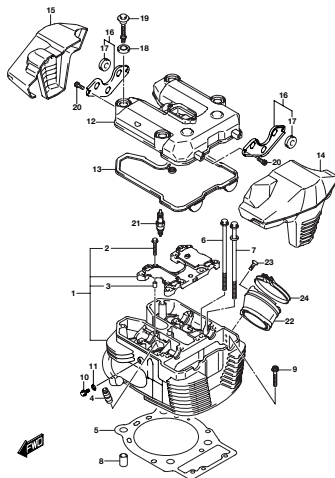
Contents are subject to change without notice or obligation.

FIG.101A GASKET SET (1-B-2)



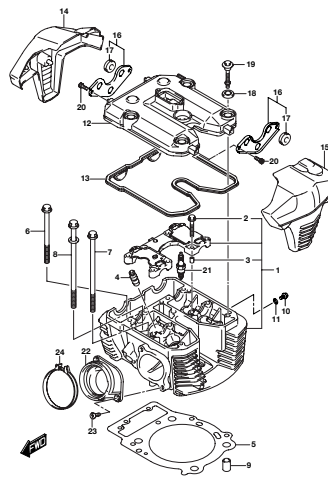
VZ1180DL4\_024\_101A  
GASKET SET

FIG.104A CYLINDER HEAD (FRONT) (1-B-3)



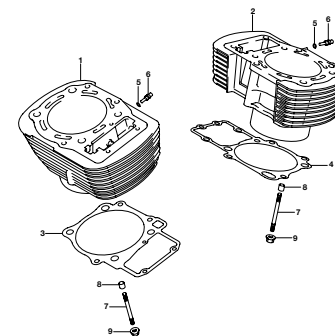
VZ1180DL4\_024\_104A  
CYLINDER HEAD (FRONT)

FIG.105A CYLINDER HEAD (REAR) (1-B-4)



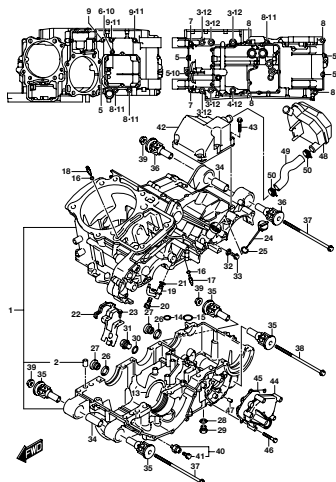
VZ1180DL4\_024\_105A  
CYLINDER HEAD (REAR)

FIG.107A CYLINDER (1-B-5)



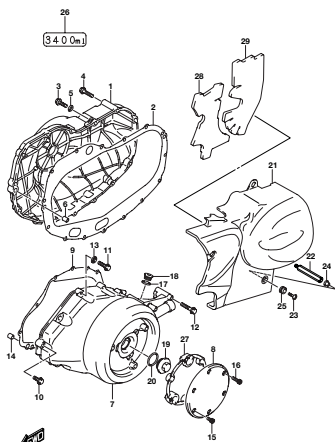
VZ1180DL4\_024\_107A  
CYLINDER

FIG.108A CRANKCASE (1-B-6)



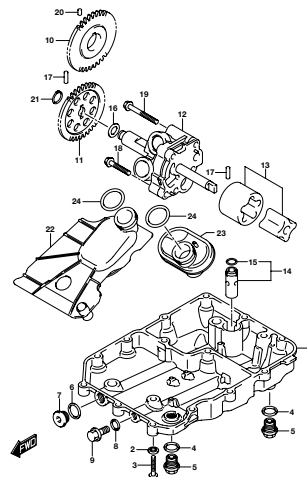
VZ1180DL4\_024\_108A  
CRANKCASE

FIG.112A CRANKCASE COVER (1-B-8)



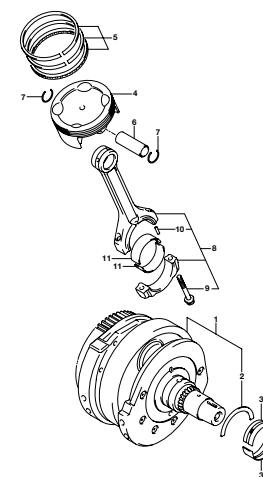
VZ1180DL4\_024\_112A  
CRANKCASE COVER

FIG.116A OIL PAN/OIL PUMP (1-B-9)



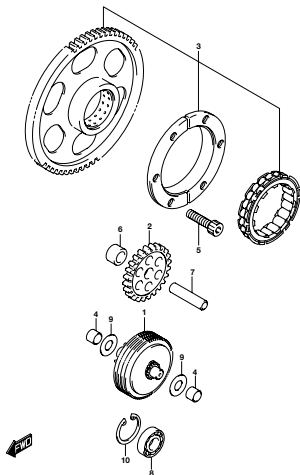
VZ1180DL4\_024\_116A  
OIL PAN/OIL PUMP

FIG.120A CRANKSHAFT (1-B-10)



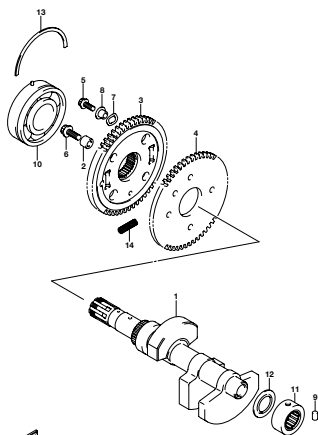
VZ1180DL4\_024\_120A  
CRANKSHAFT

FIG.122A STARTER CLUTCH (1-B-11)



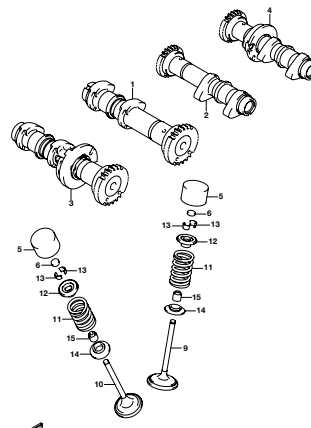
VZ11800L4\_024\_122A  
STARTER CLUTCH

FIG.124A CRANK BALANCER (1-B-12)



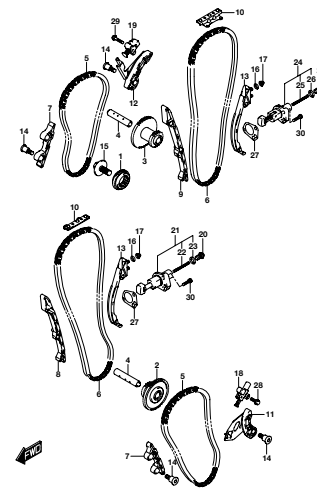
VZ11800L4\_024\_124A  
CRANK BALANCER

FIG.126A CAMSHAFT/VALVE (1-B-13)



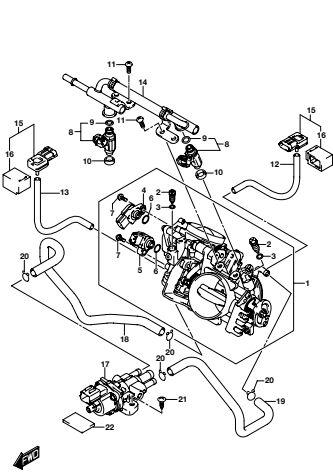
VZ11800L4\_024\_126A  
CAMSHAFT/VALVE

FIG.127A CAM CHAIN (1-B-15)



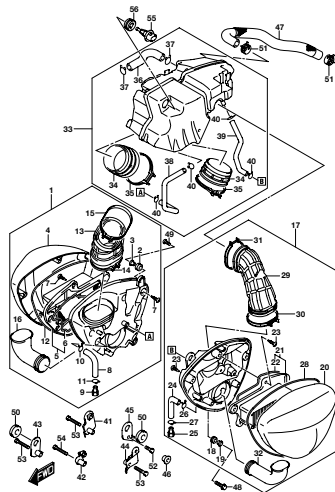
VZ11800L4\_024\_127A  
CAM CHAIN

FIG.140A THROTTLE BODY (1-C-2)



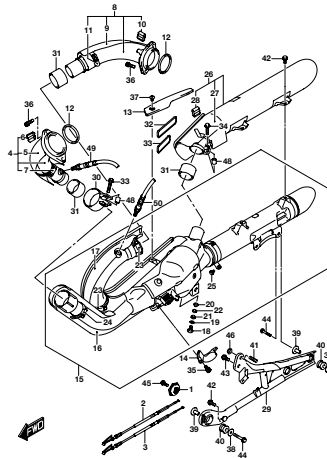
VZ11800L4\_024\_140A  
THROTTLE BODY

FIG.155A AIR CLEANER (1-C-3)



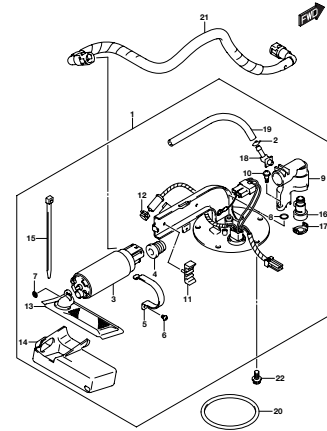
VZ11800L4\_024\_155A  
AIR CLEANER

FIG.163A MUFFLER (1-C-5)



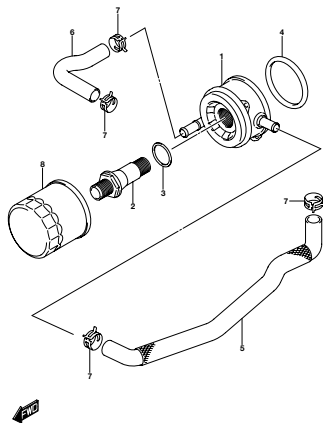
VZ11800L4\_024\_163A  
MUFFLER

FIG.172A FUEL PUMP (1-C-7)



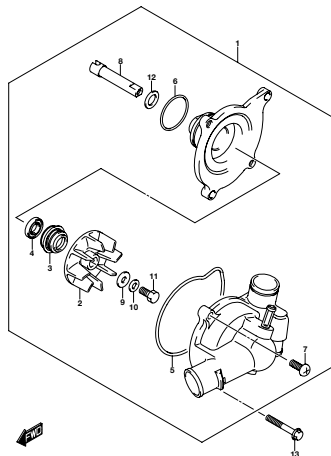
VZ11800L4\_024\_172A  
FUEL PUMP

FIG.178A OIL COOLER (1-C-8)



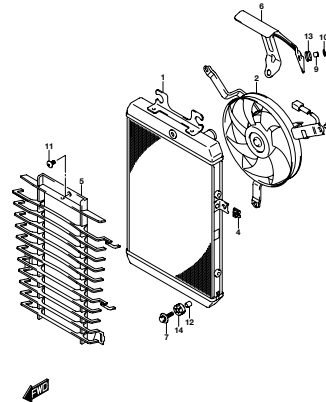
VZ9118004\_024\_178A  
OIL COOLER

FIG.180A WATER PUMP (1-C-9)



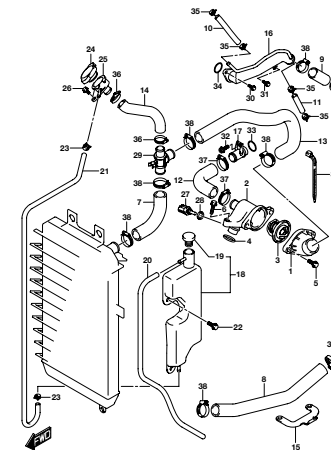
VZ9118004\_024\_180A  
WATER PUMP

FIG.185A RADIATOR (1-C-10)



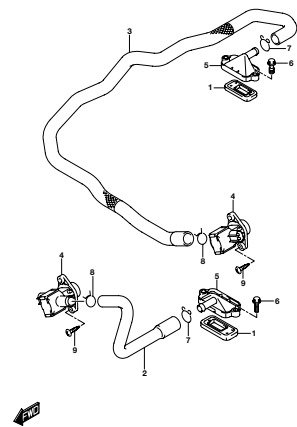
VZ9118004\_024\_185A  
RADIATOR

FIG.187A RADIATOR HOSE (1-C-11)



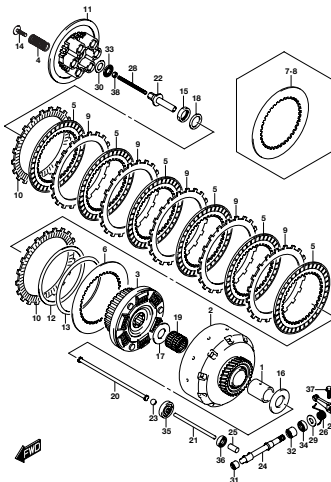
VZ9118004\_024\_187A  
RADIATOR HOSE

FIG.189A 2ND AIR (1-C-13)



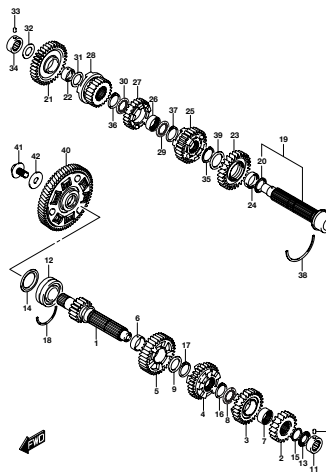
VZ9118004\_024\_189A  
2ND AIR

FIG.201A CLUTCH (1-C-14)



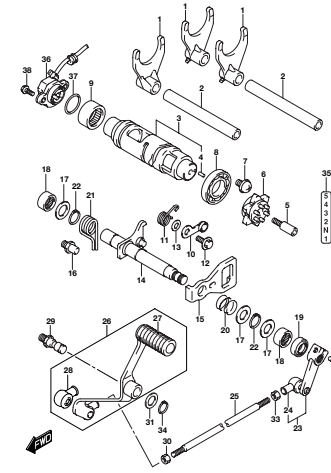
VZ9118004\_024\_201A  
CLUTCH

FIG.206A TRANSMISSION (1-D-2)



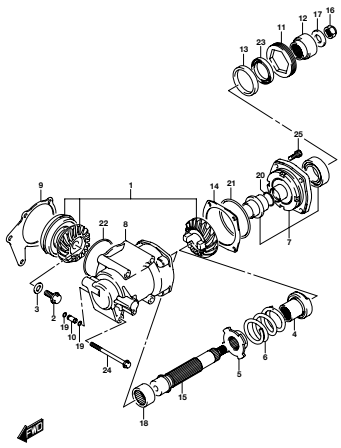
VZ9118004\_024\_206A  
TRANSMISSION

FIG.212A GEAR SHIFTING (1-D-4)



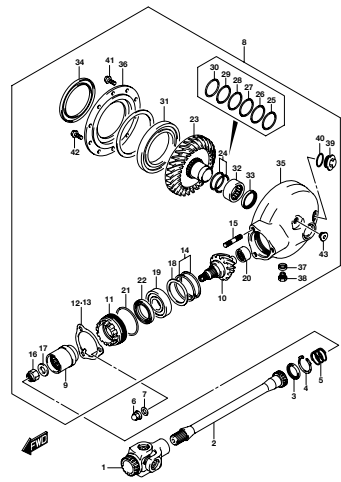
VZ9118004\_024\_212A  
GEAR SHIFTING

FIG.216A SECONDARY DRIVE GEAR (1-D-6)



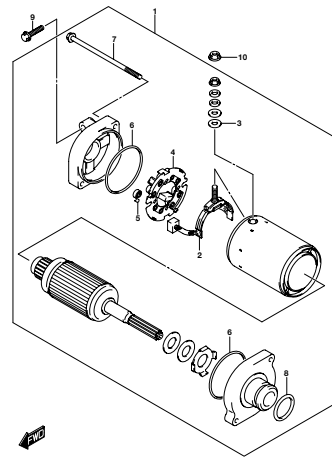
VZ11800L4\_024\_216A  
SECONDARY DRIVE GEAR

FIG.220A PROPELLER SHAFT/FINAL DRIVE GEAR (1-D-7)



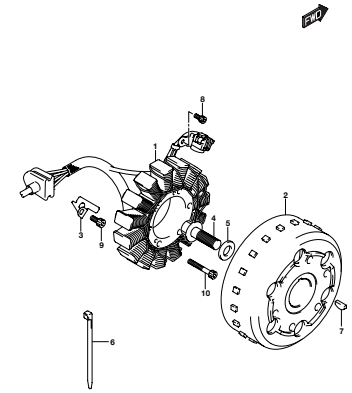
VZ11800L4\_024\_220A  
PROPELLER SHAFT/FINAL DRIVE GEAR

FIG.301A STARTING MOTOR (1-D-9)



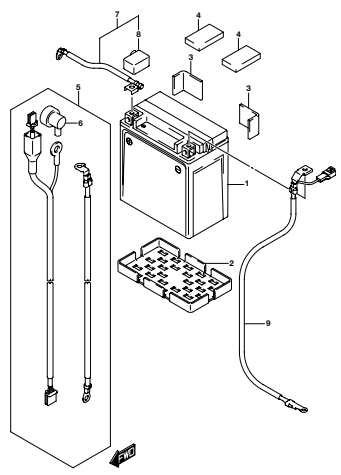
VZ11800L4\_024\_301A  
STARTING MOTOR

FIG.303A MAGNETO (1-D-10)



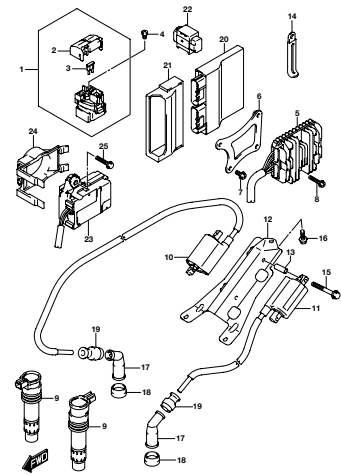
VZ11800L4\_024\_303A  
MAGNETO

FIG.310A BATTERY (1-D-11)



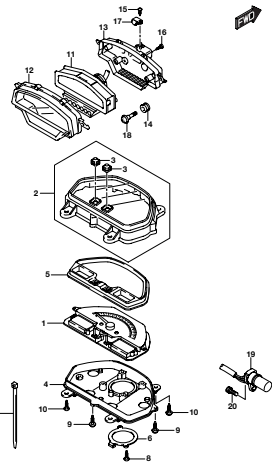
VZ11800L4\_024\_310A  
BATTERY

FIG.312A ELECTRICAL (1-D-12)



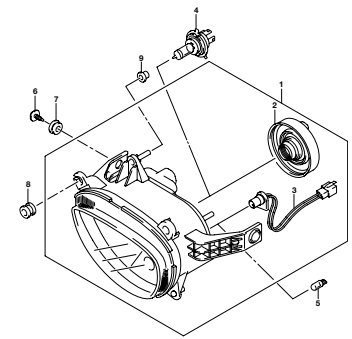
VZ11800L4\_024\_312A  
ELECTRICAL

FIG.330A SPEEDOMETER (1-D-13)



VZ11800L4\_024\_330A  
SPEEDOMETER

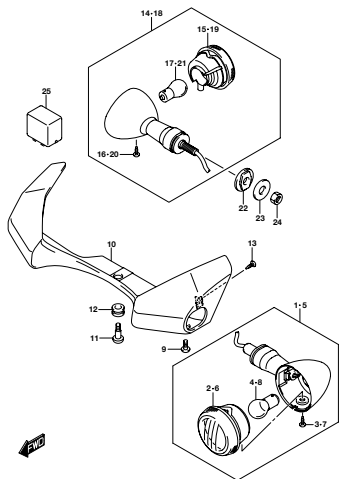
FIG.333A HEADLAMP (1-D-14)



VZ11800L4\_024\_333A  
HEADLAMP

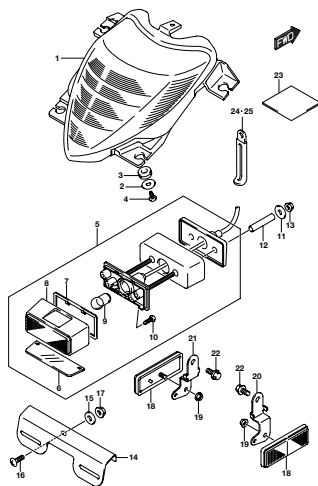


FIG.334A TURNSIGNAL LAMP (1-D-15)



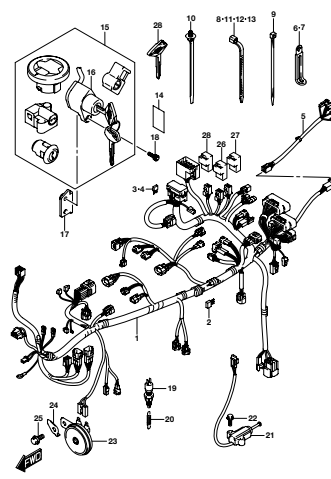
VZ011800L4\_024\_334A  
TURNSIGNAL LAMP

FIG.339A REAR COMBINATION LAMP (1-E-2)



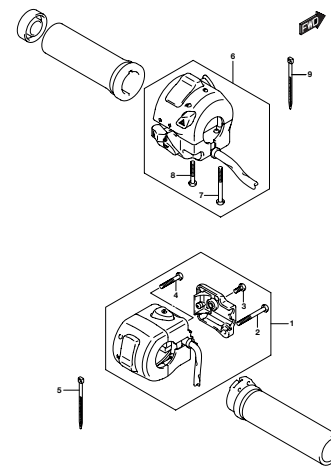
VZ011800L4\_024\_339A  
REAR COMBINATION LAMP

FIG.350A WIRING HARNESS (1-E-3)



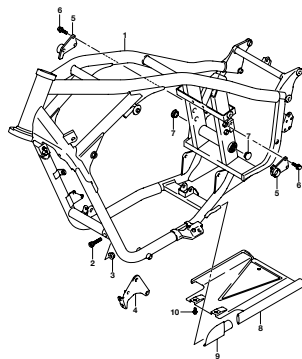
VZ011800L4\_024\_350A  
WIRING HARNESS

FIG.355A HANDLE SWITCH (1-E-4)



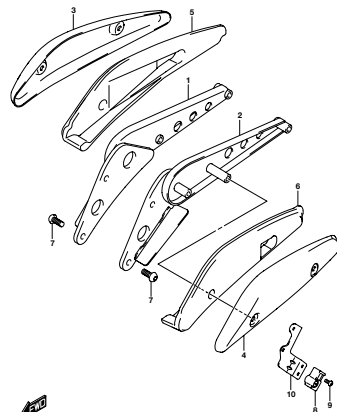
VZ011800L4\_024\_355A  
HANDLE SWITCH

FIG.401A FRAME (1-E-5)



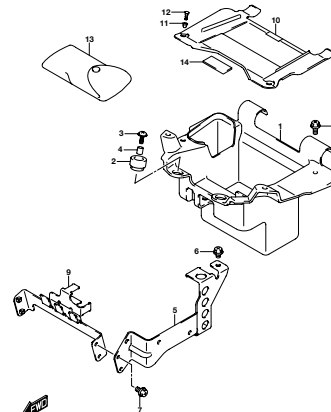
VZ011800L4\_024\_401A  
FRAME

FIG.402A FRAME HANDLE GRIP (1-E-6)



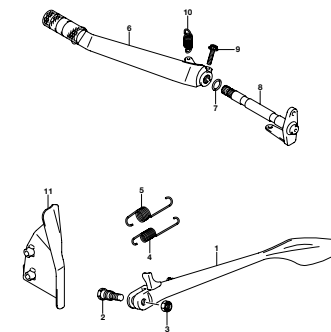
VZ011800L4\_024\_402A  
FRAME HANDLE GRIP

FIG.405A BATTERY HOLDER (1-E-7)



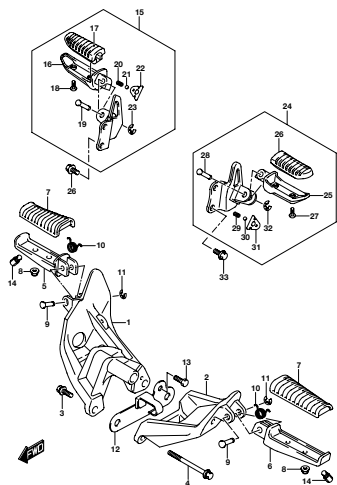
VZ011800L4\_024\_405A  
BATTERY HOLDER

FIG.407A STAND (1-E-8)



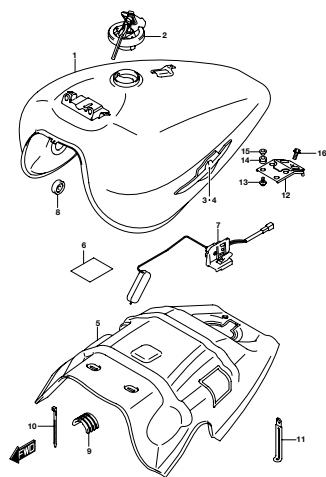
VZ011800L4\_024\_407A  
STAND

FIG.415A FOOTREST (1-E-9)



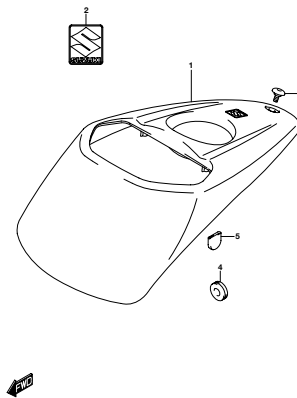
VZ11800L4\_024\_415A  
FOOTREST

FIG.420A FUEL TANK (1-E-10)



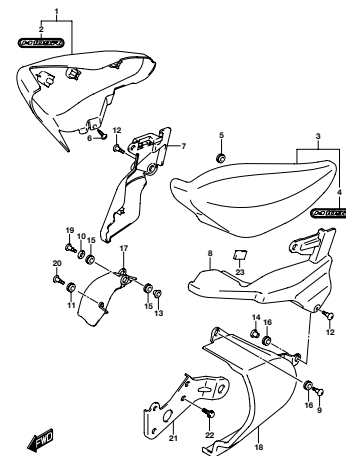
VZ11800L4\_024\_420A  
FUEL TANK

FIG.422A FUEL TANK FRONT COVER (1-E-11)



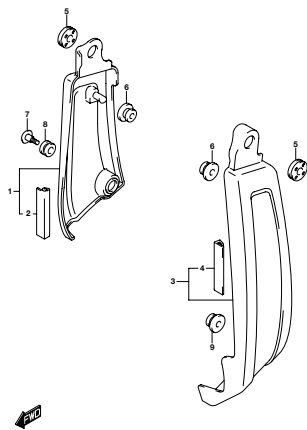
VZ11800L4\_024\_422A  
FUEL TANK FRONT COVER

FIG.433A SIDE COVER (1-E-12)



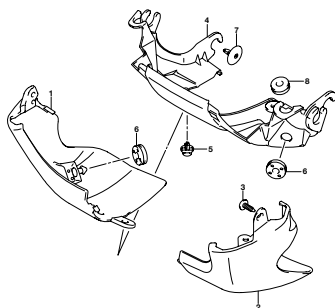
VZ11800L4\_024\_433A  
SIDE COVER

FIG.434A SIDE REAR COVER (1-E-13)



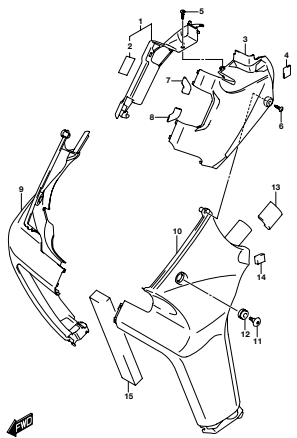
VZ11800L4\_024\_434A  
SIDE REAR COVER

FIG.447A FRAME BODY COVER (1-E-14)



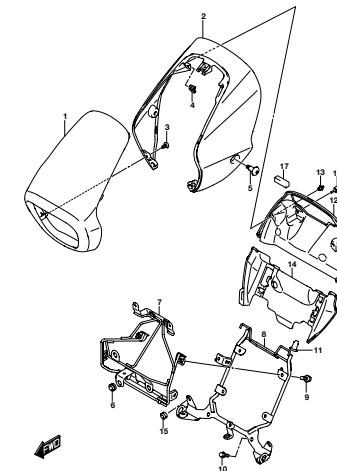
VZ11800L4\_024\_447A  
FRAME BODY COVER

FIG.449A FRAME HEAD COVER (1-E-15)



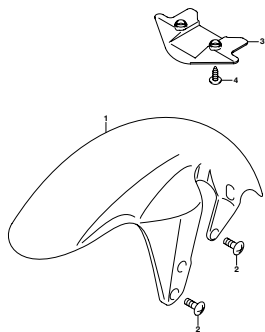
VZ11800L4\_024\_449A  
FRAME HEAD COVER

FIG.452A HEADLAMP COVER (1-F-2)



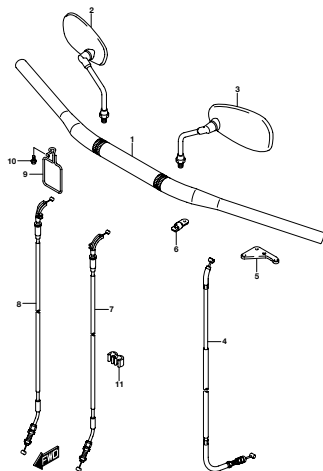
VZ11800L4\_024\_452A  
HEADLAMP COVER

FIG.460A FRONT FENDER (1-F-3)



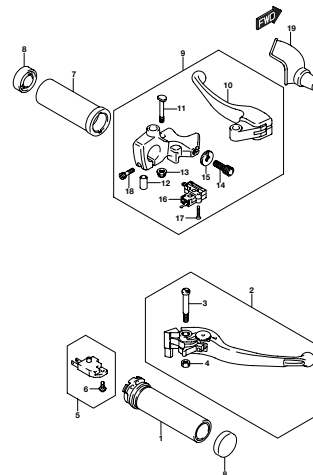
VZ018004\_024\_460A  
FRONT FENDER

FIG.462A HANDLEBAR (1-F-4)



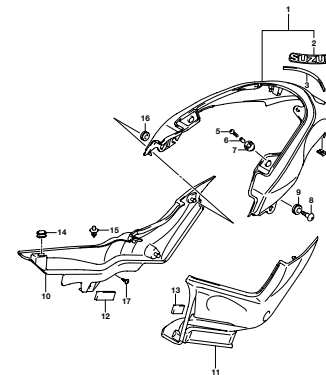
VZ018004\_024\_462A  
HANDLEBAR

FIG.467A HANDLE LEVER (1-F-5)



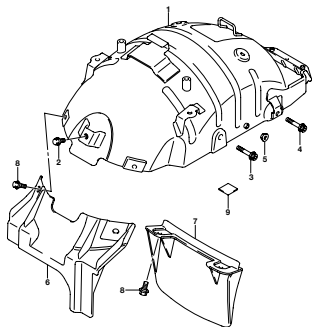
VZ018004\_024\_467A  
HANDLE LEVER

FIG.474A REAR FENDER (1-F-6)



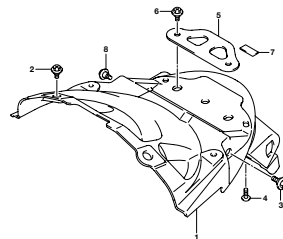
VZ018004\_024\_474A  
REAR FENDER

FIG.475A REAR FENDER BRACE (1-F-7)



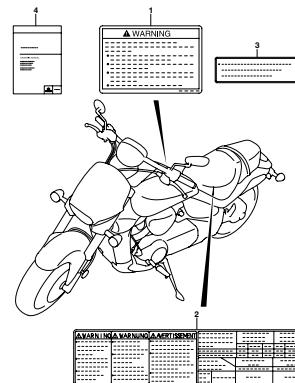
VZ018004\_024\_475A  
REAR FENDER BRACE

FIG.476A REAR FENDER EXTENSION (1-F-8)



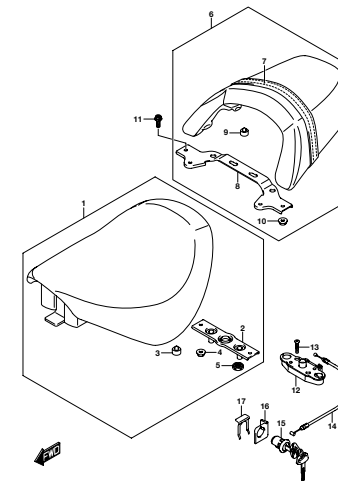
VZ018004\_024\_476A  
REAR FENDER EXTENSION

FIG.496A LABEL (1-F-9)



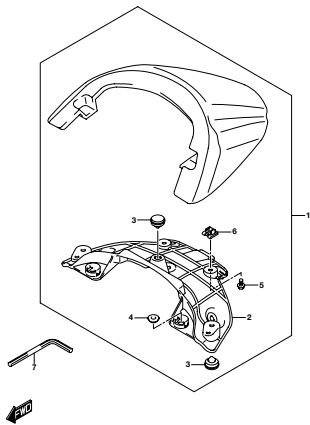
VZ018004\_024\_496A  
LABEL

FIG.505A SEAT (1-F-10)



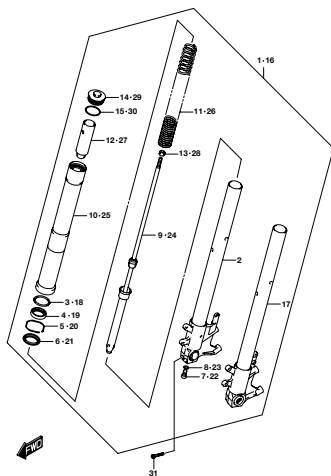
VZ018004\_024\_505A  
SEAT

FIG.507A SEAT TAIL BOX (1-F-11)



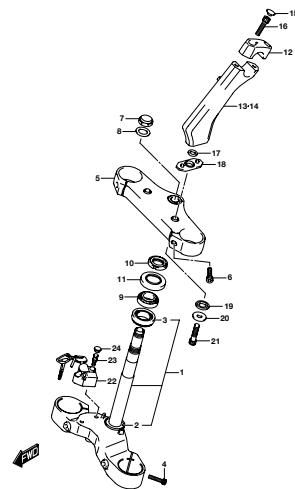
VZ01800L4\_024\_507A  
SEAT TAIL BOX

FIG.521A FRONT FORK DAMPER (1-F-12)



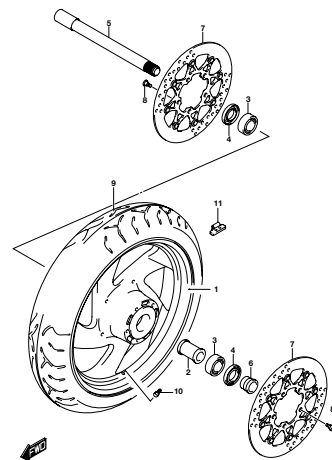
VZ01800L4\_024\_521A  
FRONT FORK DAMPER

FIG.524A STEERING STEM (1-F-13)



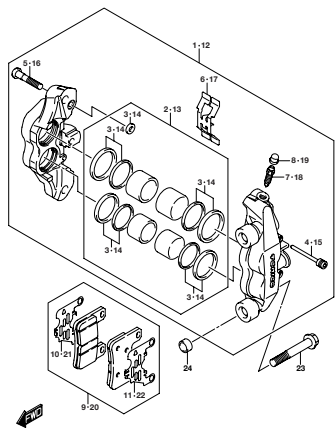
VZ01800L4\_024\_524A  
STEERING STEM

FIG.530A FRONT WHEEL (1-F-14)



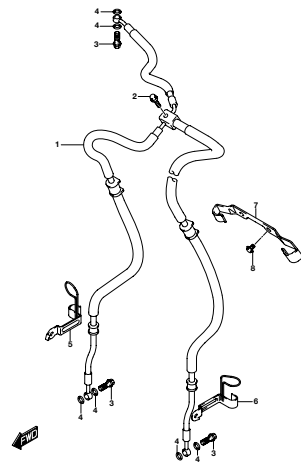
VZ01800L4\_024\_530A  
FRONT WHEEL

FIG.535A FRONT CALIPER (1-F-15)



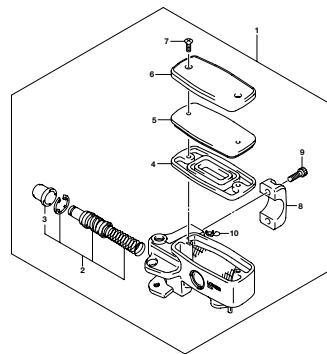
VZ01800L4\_024\_535A  
FRONT CALIPER

FIG.536A FRONT BRAKE HOSE (1-G-2)



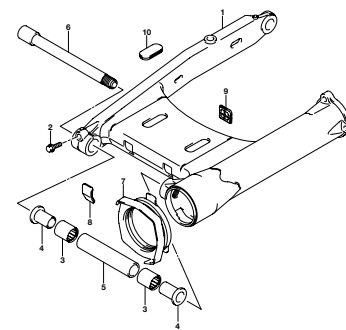
VZ01800L4\_024\_536A  
FRONT BRAKE HOSE

FIG.537A FRONT MASTER CYLINDER (1-G-3)



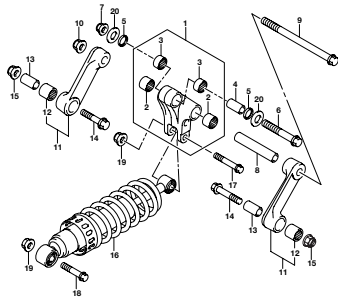
VZ01800L4\_024\_537A  
FRONT MASTER CYLINDER

FIG.541A REAR SWINGARM (1-G-4)



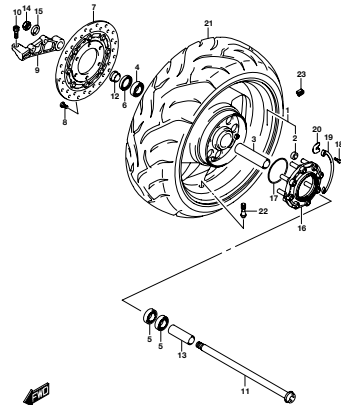
VZ01800L4\_024\_541A  
REAR SWINGARM

FIG.543A REAR CUSHION LEVER (1-G-5)



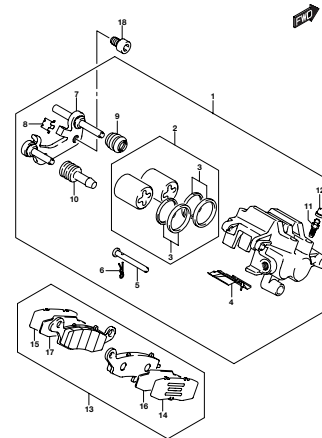
VZP1B00L4\_024\_543A  
REAR CUSHION LEVER

FIG.550A REAR WHEEL (1-G-6)



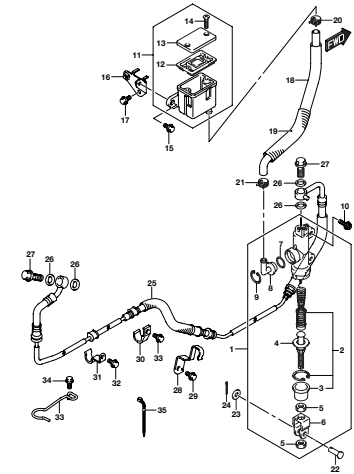
VZP1B00L4\_024\_550A  
REAR WHEEL

FIG.555A REAR CALIPER (1-G-7)



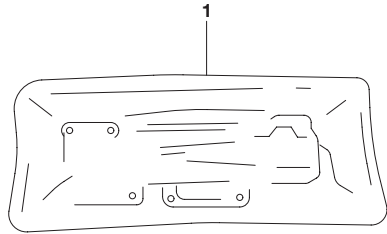
VZP1B00L4\_024\_555A  
REAR CALIPER

FIG.558A REAR MASTER CYLINDER (1-G-8)



VZP1B00L4\_024\_558A  
REAR MASTER CYLINDER

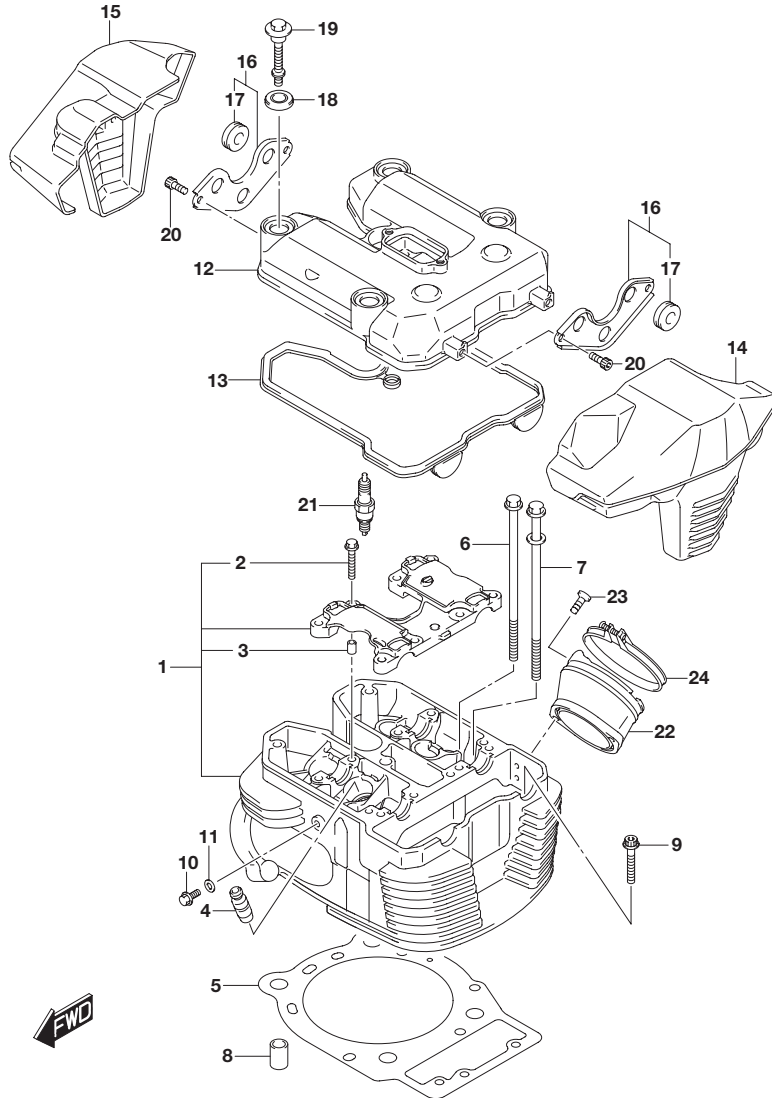
**FIG.101A**



**FIG.101A (1-B-2) GASKET SET**

REF NO.	PART NO.	DESCRIPTION	Q'TY	REMARKS
1	11401-48861	GASKET SET	1	OPT
2	11173-48G00	·GASKET ,HEAD COVER	2	NOT ILLUSTRATED
3	11141-48G00	·GASKET ,CYLINDER HEAD FRONT	1	NOT ILLUSTRATED
4	11142-48G00	·GASKET ,CYLINDER HEAD REAR	1	NOT ILLUSTRATED
5	11241-48G10	·GASKET ,CYLINDER FRONT	1	NOT ILLUSTRATED
6	11242-48G00	·GASKET ,CYLINDER REAR	1	NOT ILLUSTRATED
7	11482-48G00	·GASKET ,CLUTCH COVER	1	NOT ILLUSTRATED
8	11483-48G00	·GASKET ,MAGNETO COVER	1	NOT ILLUSTRATED
9	11485-48G00	·GASKET ,GEAR SHIFT COVER	1	NOT ILLUSTRATED
10	12837-27G00	·GASKET ,TENSIONER ADJUSTER	2	NOT ILLUSTRATED
11	14181-10F00	·GASKET ,EXHAUST PIPE	2	NOT ILLUSTRATED
12	09280-17003	·O RING ( D:3.1 ,D:16.8 )	1	NOT ILLUSTRATED
13	09280-22016	·O RING ( D:3.7 ,D:21.7 )	2	NOT ILLUSTRATED
14	09280-64003	·O RING ( D:3.1 ,D:63.9 )	1	NOT ILLUSTRATED

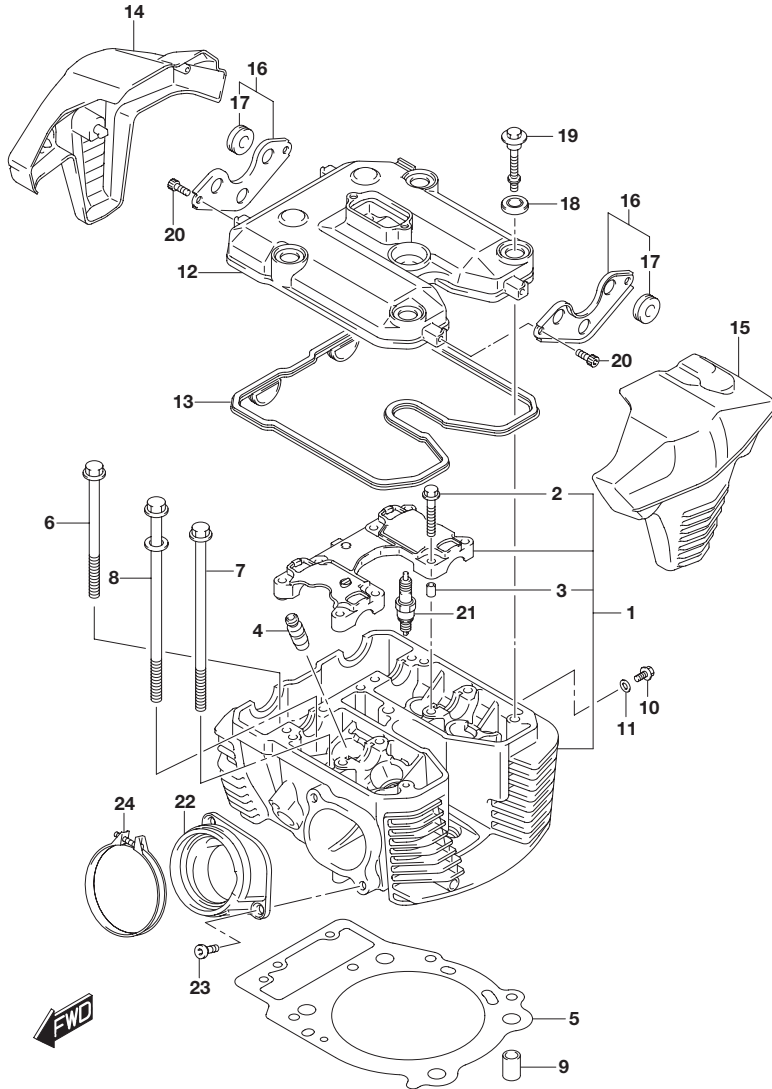
**FIG.104A**



**FIG.104A (1-B-3) CYLINDER HEAD(FRONT)**

REF NO.	PART NO.	DESCRIPTION	Q'TY	REMARKS
1	11101-48G10	HEAD ASSY , CYLINDER FRONT	1	
2	09103-06026	·BOLT ( 6X39 )	8	
3	09206-08001	·PIN ( 8X11 )	2	
4	11115-65J00-001	GUIDE , VALVE ( OS:0.3 )	4	OPT
5	11141-48G00	GASKET , CYLINDER HEAD FRONT	1	
6	09103-08415	BOLT ( 8X180 )	2	
7	09103-10396	BOLT ( 10X19 )	4	
8	04211-13189	PIN	2	
9	07120-0670A	BOLT	2	
10	09103-06222	BOLT ( 6X12 )	1	
11	09168-06023	GASKET ( 5.8X13X1.2 )	1	
12	11170-48G00	COVER , CYLINDER HEAD	1	
13	11173-48G00	GASKET	1	
14	11174-48G00	CAP , CYL HEAD COVER NO.1	1	
15	11175-48G00	CAP , CYL HEAD COVER NO.2	1	
16	11180-48G00	BRACKET HEAD COVER CAP	2	
17	09320-08013	·CUSHION	6	
18	11192-13E00	CUSHION HEAD COVER BOLT	4	
19	09111-06091	BOLT ( 6X52 )	4	
20	07130-0612A	BOLT	4	
21-1	09482-00412	SPARK PLUG ( CR8EK )	2	NGK
21-2	09482-00413	SPARK PLUG ( U24ETR )	2	DENSO
21-3	09482-00410	SPARK PLUG ( CR9EK )	2	OPT NGK
21-4	09482-00411	SPARK PLUG ( U27ETR )	2	OPT DENSO
21-5	09482-00414	SPARK PLUG ( CR7EK )	2	OPT NGK
21-6	09482-00415	SPARK PLUG ( U22ETR )	2	OPT DENSO
22	13101-48G00	PIPE ASSY , INTAKE	1	
23	09120-06008	BOLT ( 6X20.5 )	2	
24	13170-22H00	CLAMP , INTAKE PIPE	1	

**FIG.105A**



**FIG.105A (1-B-4) CYLINDER HEAD( REAR)**

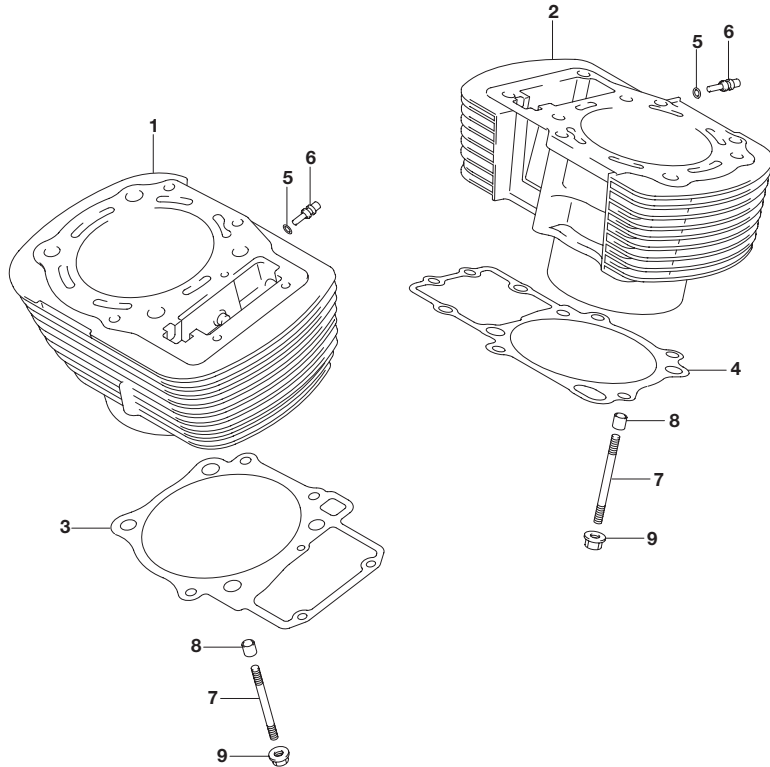
REF NO.	PART NO.	DESCRIPTION	Q'TY	REMARKS
1	11103-48G10	HEAD ASSY , CYLINDER REAR	1	
2	09103-06026	·BOLT ( 6X39 )	8	
3	09206-08001	·PIN ( 8X11 )	2	
4	11115-65J00-001	GUIDE , VALVE ( OS:0.3 )	4	OPT
5	11142-48G00	GASKET , CYLINDER HEAD REAR	1	
6	09103-08305	BOLT ( 8X140 )	2	
7	09103-08415	BOLT ( 8X180 )	2	
8	09103-10396	BOLT ( 10X19 )	4	
9	04211-13189	PIN	2	
10	09103-06222	BOLT ( 6X12 )	1	
11	09168-06023	GASKET ( 5.8X13X1.2 )	1	
12	11170-48G00	COVER , CYLINDER HEAD	1	
13	11173-48G00	GASKET	1	
14	11174-48G00	CAP , CYL HEAD COVER NO.1	1	
15	11175-48G00	CAP , CYL HEAD COVER NO.2	1	
16	11180-48G00	BRACKET HEAD COVER CAP	2	
17	09320-08013	·CUSHION	6	
18	11192-13E00	CUSHION HEAD COVER BOLT	4	
19	09111-06091	BOLT ( 6X52 )	4	
20	07130-0612A	BOLT	4	
21-1	09482-00412	SPARK PLUG ( CR8EK )	2	NGK
21-2	09482-00413	SPARK PLUG ( U24ETR )	2	DENSO
21-3	09482-00410	SPARK PLUG ( CR9EK )	2	OPT NGK
21-4	09482-00411	SPARK PLUG ( U27ETR )	2	OPT DENSO
21-5	09482-00414	SPARK PLUG ( CR7EK )	2	OPT NGK
21-6	09482-00415	SPARK PLUG ( U22ETR )	2	OPT DENSO
22	13101-48G00	PIPE ASSY , INTAKE	1	
23	09120-06008	BOLT ( 6X20.5 )	2	
24	13170-22H00	CLAMP , INTAKE PIPE	1	



**FIG.107A**

**FIG.107A (1-B-5) CYLINDER**

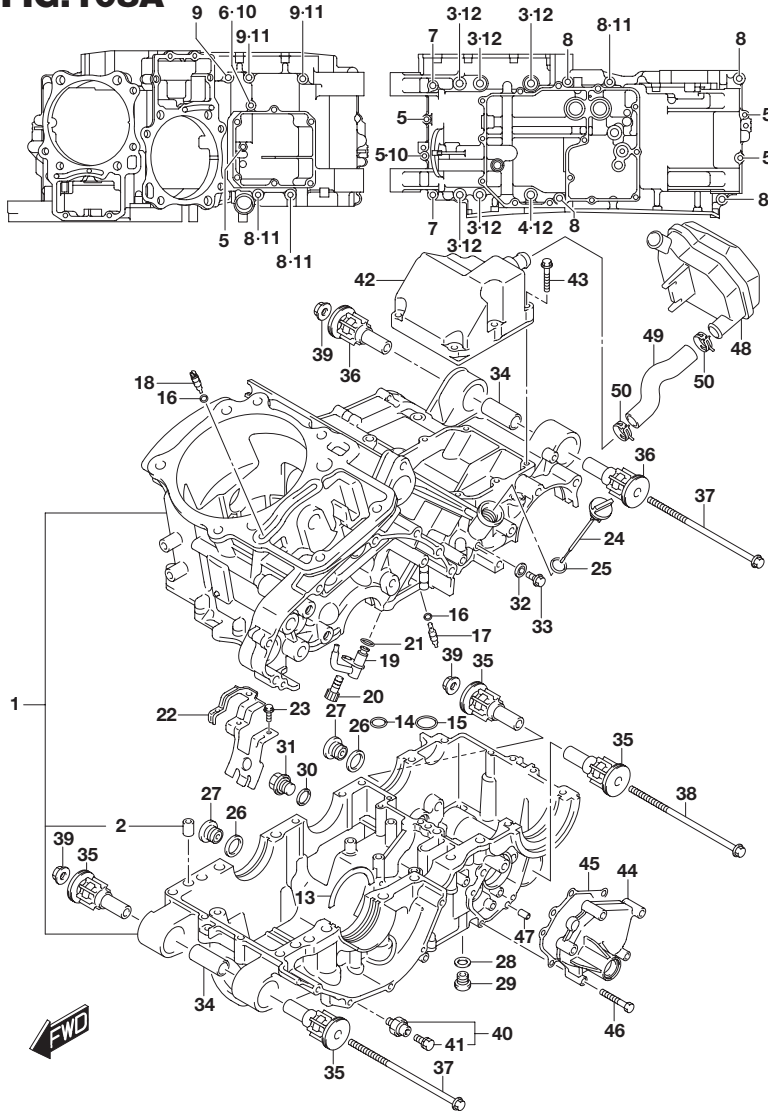
**2**



REF NO.	PART NO.	DESCRIPTION	Q'TY	REMARKS
1	11211-48G00-0F0	CYLINDER ,FRONT ( YELLOW )	1	
2	11221-48G00-0F0	CYLINDER ,REAR ( YELLOW )	1	
3	11241-48G10	GASKET ,CYLINDER FRONT	1	
4	11242-48G00	GASKET ,CYLINDER REAR	1	
5	09280-04004	O RING( D:1.2 ,ID:4 )	2	
6	09493-80005	JET( 8 )	2	
7	01421-0665A	STUD BOLT	4	
8	04211-13189	PIN	4	
9	08319-3106A	NUT	4	



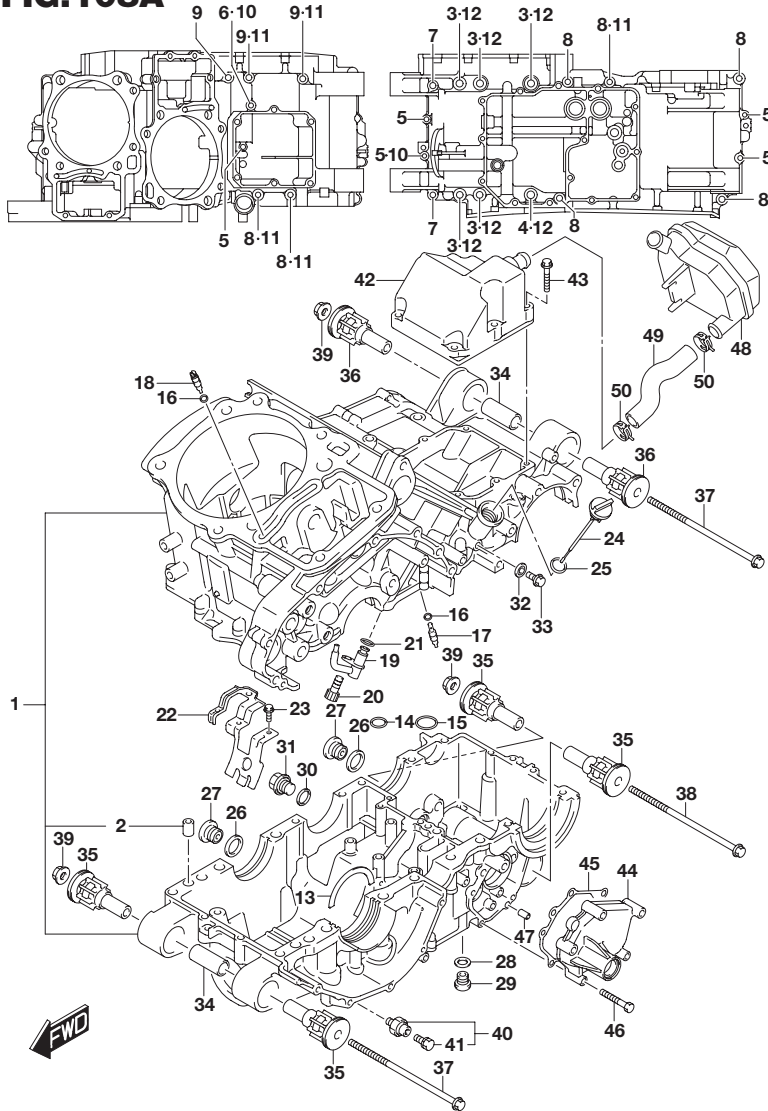
**FIG.108A**



**FIG.108A (1-B-6) CRANKCASE**

REF NO.	PART NO.	DESCRIPTION	Q'TY	REMARKS
1	11300-48881	CRANKCASE SET	1	
2	11319-33E50	·PIN ,CRANKCASE	3	
3	09103-10110	·BOLT ( 10X100 )	5	
4	09103-10406	·BOLT ( 10X115 )	1	
5	01547-0645A	·BOLT	5	
6	01547-0670A	·BOLT	1	
7	07130-0850A	·BOLT	2	
8	07130-0865A	·BOLT	7	
9	07130-0885A	·BOLT	3	
10	09168-06023	·GASKET ( 5.8X13X1.2 )	2	
11	09168-08016	·GASKET ( 8.2X14X1 )	5	
12	09168-10031	·GASKET ( 10.2X20X2.3 )	6	
13-1	12228-48G00-0A0	·WASHER ,CRANK THRUST( RED )	1	
13-2	12228-48G00-0B0	·WASHER ,CRANK THRUST( BLACK )	1	
13-3	12228-48G00-0C0	·WASHER ,CRANK THRUST( BLUE )	1	
13-4	12228-48G00-0D0	·WASHER ,CRANK THRUST( GREEN )	1	
13-5	12228-48G00-0E0	·WASHER ,CRANK THRUST( YELLOW )	1	
13-6	12228-48G00-0F0	·WASHER ,CRANK THRUST( WHITE )	1	
14	09280-08012	O RING( D:1.9 ,ID:7.8 )	5	
15	09280-12009	O RING( D:1.9 ,ID:12.6 )	2	
16	09280-04004	O RING( D:1.2 ,ID:4 )	4	
17	09493-80005	JET( 8 )	2	
18	09493-80005	JET( 8 )	2	
19	11390-48G00	JET ,PISTON COOLING	2	
20	09106-06075	BOLT ( 6X12 )	2	
21	09280-05007	O RING( D:1.2 ,ID:4.7 )	2	
22	11521-48G00	PLATE ,OIL SEPARATOR	1	
23	01547-0612A	BOLT	4	
24	11971-48G01	GAUGE , OIL LEVEL	1	
25	09280-17003	O RING( D:3.1 ,ID:16.8 )	1	
26	09168-16002	GASKET( 16X22X2 )	2	
27	09248-16012	PLUG( 16X8 )	2	
28	09168-14002	GASKET( 13.8X18.8X4.8 )	1	
29	09248-14012	PLUG( 14X12 )	1	

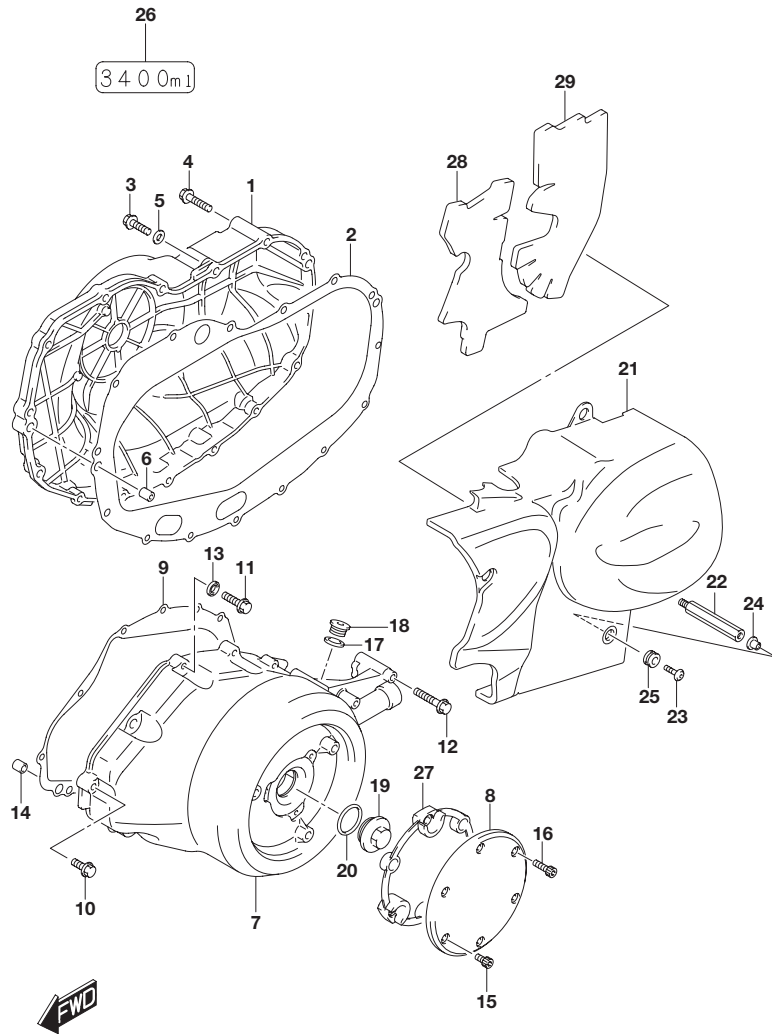
**FIG.108A**



**FIG.108A (1-B-7) CRANKCASE**

REF NO.	PART NO.	DESCRIPTION	Q'TY	REMARKS
30	09168-12002	GASKET ( 12.1X16.2X3.7 )	1	
31	09247-12006	PLUG ( 12X10 )	1	
32	09168-06023	GASKET ( 5.8X13X1.2 )	3	
33	01547-0612A	BOLT	3	
34	11611-48G00	SPACER ,ENG MTG	2	
35	11652-10G50	BUSH , ENG MTG	4	
36	11652-10G30	BUSH , ENG MTG	2	
37	09103-10041-A05	BOLT ( 10X215 )	2	
38	09103-10118	BOLT ( 10X195 )	1	
39	08319-3110A	NUT	3	
40	37820-33D10	SWITCH ASSY , OIL PRESSURE	1	
41	37822-33D00	·BOLT	1	
42	11330-48G00	COVER , BREATHER	1	
43	01547-0630A	BOLT	6	
44	11371-48G00	COVER , GEAR SHIFT	1	
45	11485-48G00	GASKET	1	
46	01547-0645A	BOLT	5	
47	04211-09149	PIN	2	
48	11332-48G00	TANK , OIL RETURN	1	
49	11333-48G00	HOSE , OIL RETURN TANK	1	
50	09401-20405	CLIP	2	

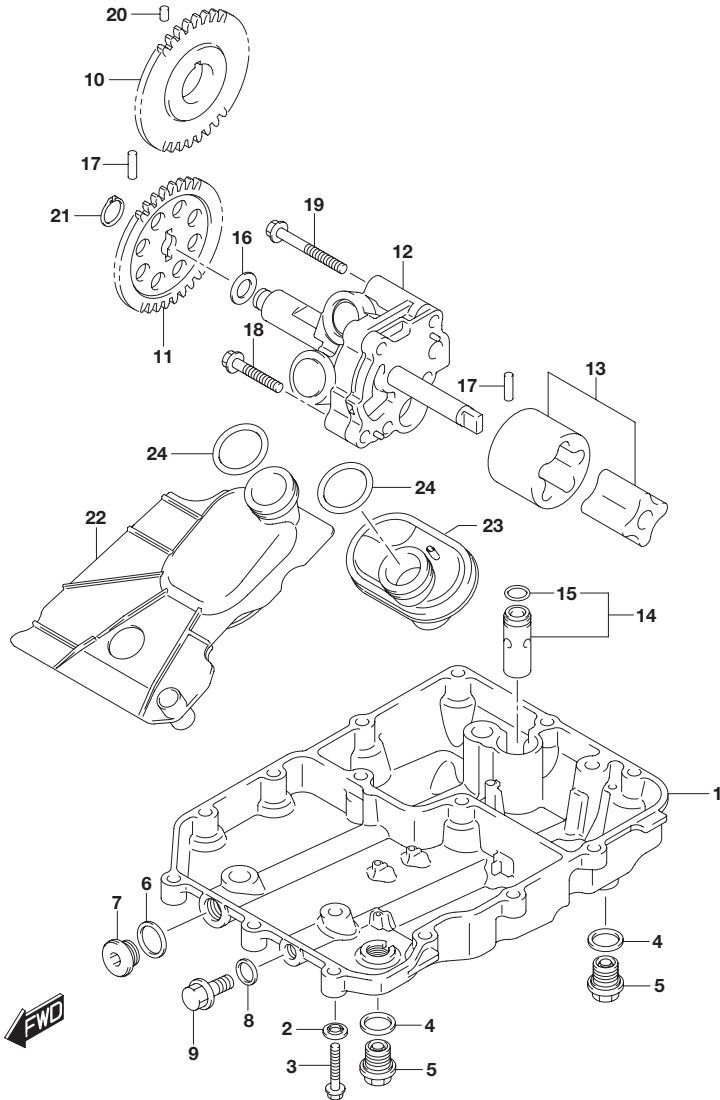
**FIG.112A**



**FIG.112A (1-B-8) CRANKCASE COVER**

REF NO.	PART NO.	DESCRIPTION	Q'TY	REMARKS
1	11341-48G00	COVER , CLUTCH	1	
2	11482-48G00	GASKET , CL COVER	1	
3	09103-06213	BOLT ( 6X30 )	13	
4	09103-06261	BOLT ( 6X60 )	2	
5	09168-06023	GASKET ( 5.8X13X1.2 )	3	
6	04211-09189	PIN	2	
7	11351-48G00	COVER , MAGNETO	1	
8	11352-48G00	CAP , MAGNETO COVER	1	
9	11483-48G00	GASKET , MAGNETO COVER	1	
10	09103-06213	BOLT ( 6X30 )	7	
11	09103-06238	BOLT ( 6X50 )	3	
12	09103-06225	BOLT ( 6X70 )	3	
13	09168-06023	GASKET ( 5.8X13X1.2 )	1	
14	04211-09149	PIN	2	
15	09106-06068	BOLT ( 6X10 )	3	
16	09106-06123	BOLT ( 6X20 )	3	
17	09168-16002	GASKET ( 16X22X2 )	1	
18	09248-16012	PLUG ( 16X8 )	1	
19	09259-30005	CAP	1	
20	09280-26006	O RING ( D:3.1 ,JD:26.4 )	1	
21	11361-48G20	COVER , SECONDARY DRIVE UNIT	1	
22	11372-48G00	BOLT , SEC DRIVE UNIT COVER	1	
23	09139-06028	SCREW ( 6X20 )	3	
24	09169-06062	WASHER	3	
25	09320-09501	CUSHION	3	
26	68322-48G00	NOTE , ENGINE OIL	1	
27	11353-48G00	DAMPER , MAGNETO COVER CAP	1	
28	11363-48G20	DAMPER , SEC DRIVE UNIT COVER	1	
29	11364-48G00	DAMPER , SEC DRIVE UNIT COVER	1	

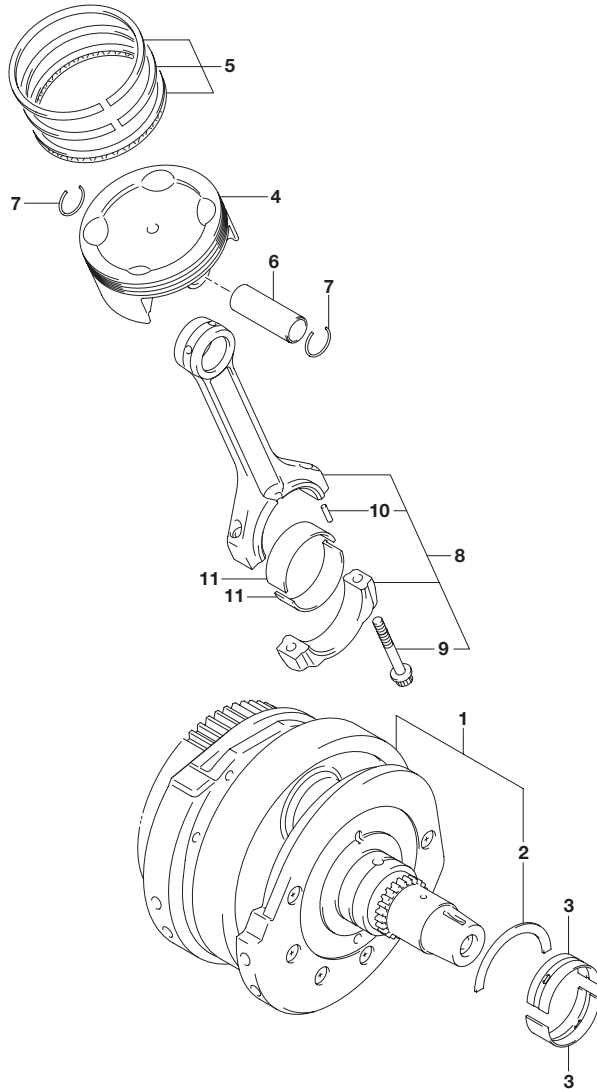
**FIG.116A**



**FIG.116A (1-B-9) OIL PAN/OIL PUMP**

REF NO.	PART NO.	DESCRIPTION	Q'TY	REMARKS
1	11511-48G01	PAN ,OIL	1	
2	09168-06023	GASKET(5.8X13X1.2)	4	
3	01547-0630A	BOLT	14	
4	09168-14002	GASKET(13.8X18.8X4.8)	2	
5	09247-14036	PLUG(14X20)	2	OIL DRAIN
6	09168-16002	GASKET(16X22X2)	1	
7	09248-16012	PLUG(16X8)	1	
8	09168-10002	GASKET(10X14X3.6)	1	
9	09247-10008	PLUG(10X12)	1	
10	16321-48G00	GEAR ,OIL PUMP DRIVE( NT:40)	1	
11	16331-48G00	GEAR ,OIL PUMP DRIVEN( NT:36)	1	
12	16400-48G00	PUMP ASSY ,ENG OIL	1	
13	16410-48G00	ROTOR SET ,OIL PUMP	1	
14	16440-24F00	VALVE ASSY ,OIL RELIEF	1	
15	09280-13004	-O RING( D:1.9 ,ID:13)	1	
16	09181-10158	SHIM(10X18X0.5)	1	
17	09261-04009	PIN(4X15.8)	2	
18	01547-0635A	BOLT	2	
19	01547-0655A	BOLT	2	
20	04221-04069	PIN	1	
21	08331-31109	CIRCLIP	1	
22	16530-48G00	STRAINER ,ENG OIL FRONT	1	
23	16520-48G00	STRAINER ,ENG OIL REAR	1	
24	09280-22016	O RING( D:3.7 ,ID:21.7)	2	

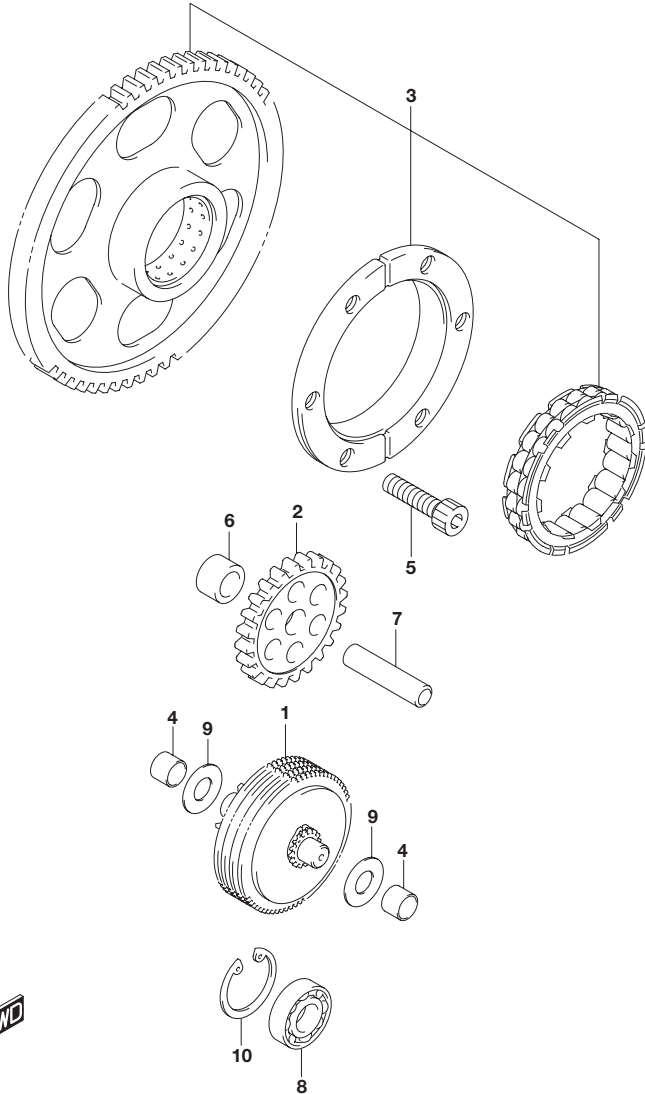
**FIG.120A**



**FIG.120A (1-B-10) CRANKSHAFT**

REF NO.	PART NO.	DESCRIPTION	Q'TY	REMARKS
1	12000-48841	CRANKSHAFT SET (NT:55)	1	
2-1	12228-48G00-0A0	·WASHER ,CRANK THRUST( RED )	1	
2-2	12228-48G00-0B0	·WASHER ,CRANK THRUST( BLACK )	1	
2-3	12228-48G00-0C0	·WASHER ,CRANK THRUST( BLUE )	1	
2-4	12228-48G00-0D0	·WASHER ,CRANK THRUST( GREEN )	1	
2-5	12228-48G00-0E0	·WASHER ,CRANK THRUST( YELLOW )	1	
2-6	12228-48G00-0F0	·WASHER ,CRANK THRUST( WHITE )	1	
3-1	12229-48G10-0A0	BEARING ,CRANKSHAFT( GREEN )	4	
3-2	12229-48G10-0B0	BEARING ,CRANKSHAFT( BLACK )	4	
3-3	12229-48G10-0C0	BEARING ,CRANKSHAFT( BROWN )	4	
3-4	12229-48G10-0D0	BEARING ,CRANKSHAFT( YELLOW )	4	
3-5	12229-48G10-0E0	BEARING ,CRANKSHAFT( BLUE )	4	
4	12111-48G00-0F0	PISTON( YELLOW )	2	
5	12140-48G00	RING SET ,PISTON	2	
6	12151-48G00	PIN ,PISTON	2	
7	09381-23003	CIRCLIP	4	
8	12160-48G00	ROD ASSY	2	
9	12163-06G00	·BOLT ,CONNECTING ROD	4	
10	04221-04089	·PIN	4	
11-1	12164-48G00-0A0	BEARING ,CRANK PIN( GREEN )	4	
11-2	12164-48G00-0B0	BEARING ,CRANK PIN( BLACK )	4	
11-3	12164-48G00-0C0	BEARING ,CRANK PIN( BROWN )	4	
11-4	12164-48G00-0D0	BEARING ,CRANK PIN( YELLOW )	4	

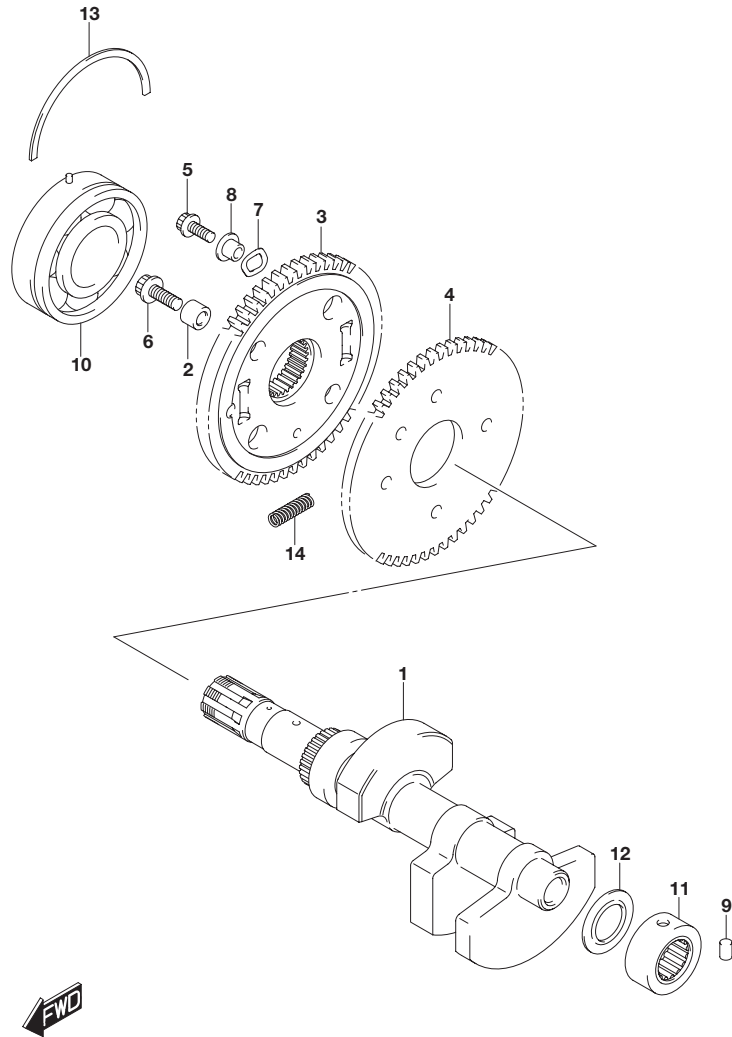
**FIG.122A**



**FIG.122A (1-B-11) STARTER CLUTCH**

REF NO.	PART NO.	DESCRIPTION	Q'TY	REMARKS
1	12600-48G01	LIMITER ASSY , START IDLE	1	
2	12612-06G00	GEAR , STARTER IDLE NO.2 (NT:27)	1	
3	12600-48820	CLUTCH SET ,STARTER (NT:80)	1	
4	12618-31G00	BUSH , LIMITER GEAR SHAFT	2	
5	09106-08190	BOLT ( 8X16 )	6	
6	09180-12138	SPACER ( 12.5X19X12.5 )	1	
7	09206-12006	PIN ( 8X12X45.5 )	1	
8	09262-12001	BEARING ( 12X28X8 )	1	
9	08211-10221	WASHER	2	
10	08331-41289	CIRCLIP	1	

**FIG.124A**

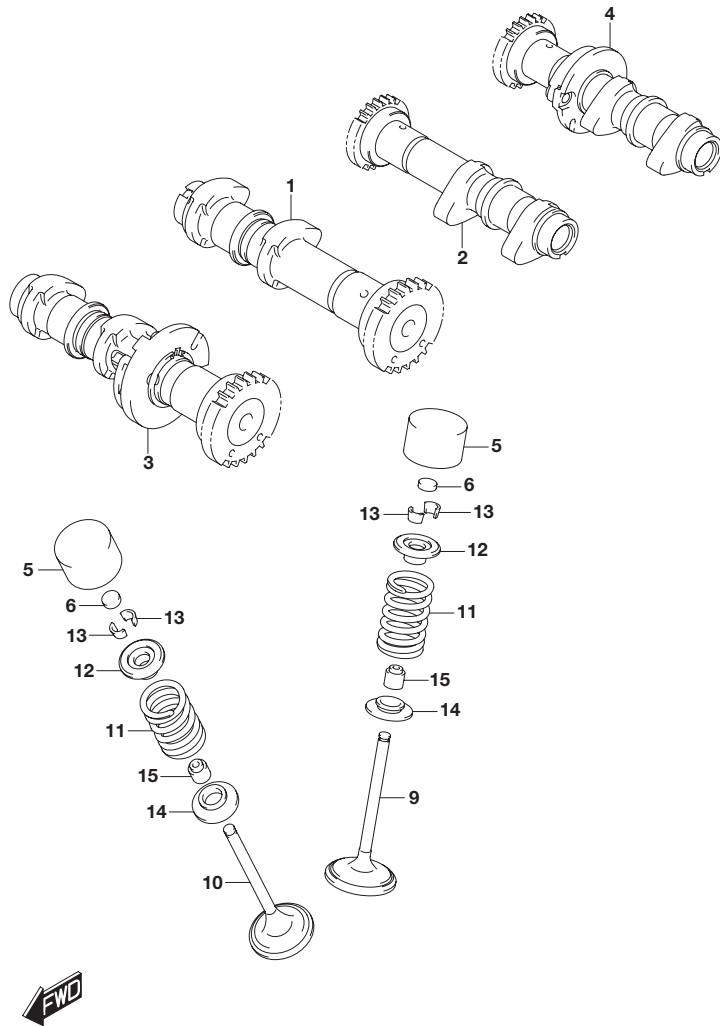


**FIG.124A (1-B-12) CRANK BALANCER**

REF NO.	PART NO.	DESCRIPTION	Q'TY	REMARKS
1	12650-48G00	SHAFT ,CRANK BALANCER	1	
2	12663-48G00	SPACER	2	
3	12666-48G10	GEAR ,DRIVEN NO.1( NT:55)	1	
4	12667-48G10	GEAR ,DRIVEN NO.2( NT:55)	1	
5	09106-06099	BOLT( 6X16)	2	
6	09106-08191	BOLT( 8X16)	2	
7	09164-11005	WASHER	2	
8	09180-06329	SPACER( 6.3X10X9.6)	2	
9	09261-06003	PIN( 6X10)	1	
10	09262-25160	BEARING( 25X62X17)	1	
11	09263-20087	BEARING( 20X34X13.5)	1	
12	09285-20006	OIL SEAL( 20X31.2X2.7)	1	
13	09390-62012	C RING	1	
14	09440-07001	SPRING	2	



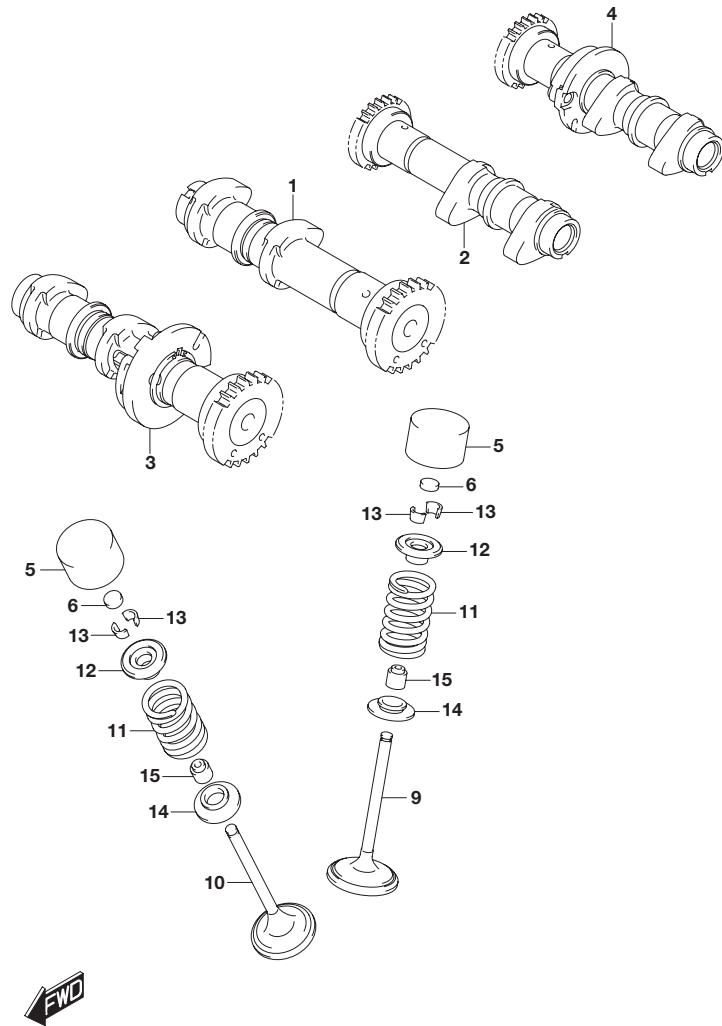
**FIG.126A**



**FIG.126A (1-B-13) CAMSHAFT/VALVE**

REF NO.	PART NO.	DESCRIPTION	Q'TY	REMARKS
1	12710-48G00	CAMSHAFT ,INTAKE FRONT ( NT:24 )	1	
2	12730-48G00	CAMSHAFT ,INTAKE REAR ( NT:24 )	1	
3	12720-22H00	CAMSHAFT ,EXHAUST FRONT ( NT:24 )	1	
4	12740-22H00	CAMSHAFT ,EXHAUST REAR ( NT:24 )	1	
5	12891-48G00	TAPPET	8	
6-1	12892-41C00-230	SHIM , TAPPET ( T:2.30 )	8	
6-2	12892-41C00-235	SHIM , TAPPET ( T:2.35 )	8	
6-3	12892-41C00-240	SHIM , TAPPET ( T:2.40 )	8	
6-4	12892-41C00-245	SHIM , TAPPET ( T:2.45 )	8	
6-5	12892-41C00-250	SHIM , TAPPET ( T:2.50 )	8	
6-6	12892-41C00-255	SHIM , TAPPET ( T:2.55 )	8	
6-7	12892-41C00-260	SHIM , TAPPET ( T:2.60 )	8	
6-8	12892-41C00-265	SHIM , TAPPET ( T:2.65 )	8	
6-9	12892-41C00-270	SHIM , TAPPET ( T:2.70 )	8	
6-10	12892-41C00-275	SHIM , TAPPET ( T:2.75 )	8	
6-11	12892-41C00-280	SHIM , TAPPET ( T:2.80 )	8	
6-12	12892-41C00-285	SHIM , TAPPET ( T:2.85 )	8	
6-13	12892-41C00-290	SHIM , TAPPET ( T:2.90 )	8	
6-14	12892-41C00-295	SHIM , TAPPET ( T:2.95 )	8	
6-15	12892-41C00-300	SHIM , TAPPET ( T:3.00 )	8	
6-16	12892-41C00-305	SHIM , TAPPET ( T:3.05 )	8	
6-17	12892-41C00-310	SHIM , TAPPET ( T:3.10 )	8	
6-18	12892-41C00-315	SHIM , TAPPET ( T:3.15 )	8	
6-19	12892-41C00-320	SHIM , TAPPET ( T:3.20 )	8	
6-20	12892-41C00-325	SHIM , TAPPET ( T:3.25 )	8	
6-21	12892-41C00-330	SHIM , TAPPET ( T:3.30 )	8	
6-22	12892-41C00-335	SHIM , TAPPET ( T:3.35 )	8	
6-23	12892-41C00-340	SHIM , TAPPET ( T:3.40 )	8	
6-24	12892-41C00-345	SHIM , TAPPET ( T:3.45 )	8	
6-25	12892-41C00-350	SHIM , TAPPET ( T:3.50 )	8	

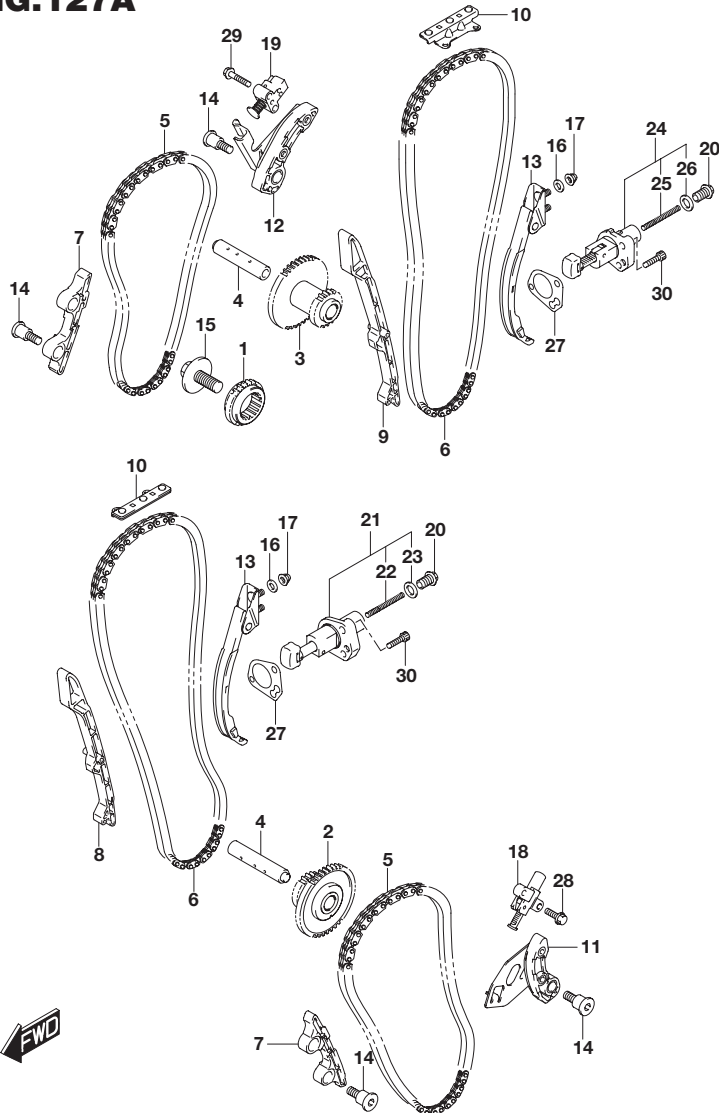
**FIG.126A**



**FIG.126A (1-B-14) CAMSHAFT/VALVE**

REF NO.	PART NO.	DESCRIPTION	Q'TY	REMARKS
7	12800-41810	SHIM SET ,TAPPET T:2.30 , 2.35...3.45 , 3.50 ( 5PCS.EACH ) & CASE	1	OPT NOT ILLUSTRATED
8	99000-69471	-CASE ,TAPPET SHIM	1	OPT NOT ILLUSTRATED
9	12911-48G10	VALVE ,INTAKE	4	
10	12912-48G00	VALVE ,EXHAUST	4	
11	12921-48G10	SPRING ,VALVE	8	
12	12931-48G00	RETAINER ,VALVE SPRING	8	
13	12932-85FA0	COTTER ,VALVE	16	
14	12933-19B00	SEAT ,VALVE SPRING	8	
15	09289-06003	OIL SEAL (6X12.8X10.2)	8	

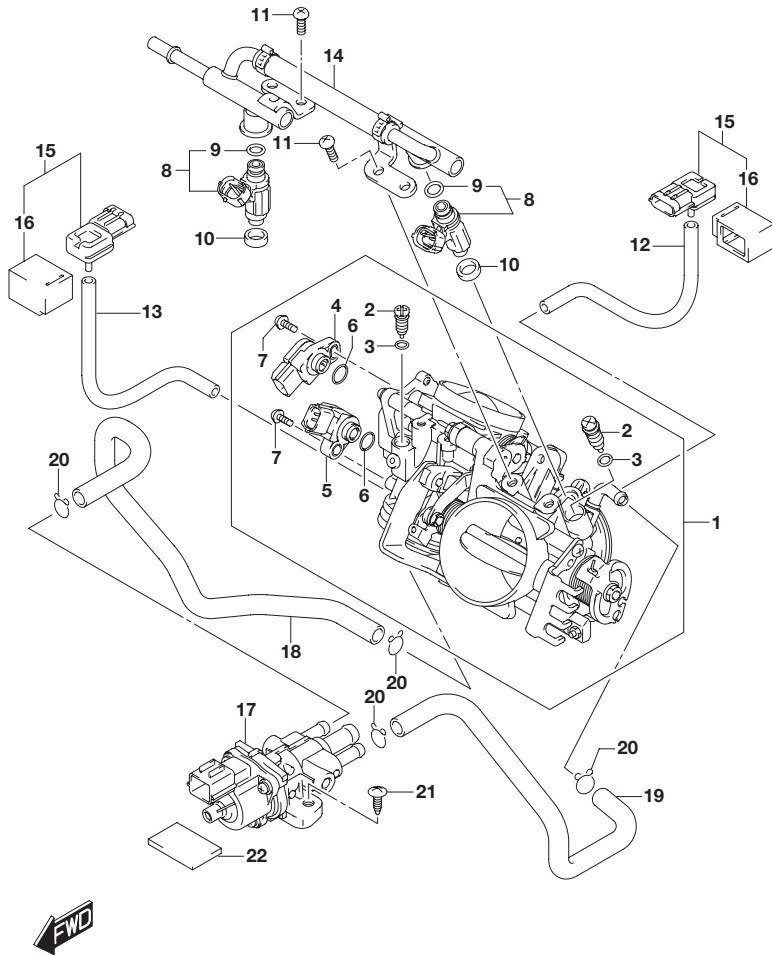
**FIG.127A**



**FIG.127A (1-B-15) CAM CHAIN**

REF NO.	PART NO.	DESCRIPTION	Q'TY	REMARKS
1	12731-48G00	SPROCKET ,CAM CHAIN DRIVE RH	1	
2	12751-48G00	SPROCKET ,CAM CHAIN IDLE FR	1	
3	12752-48G00	SPROCKET ,CAM CHAIN IDLE RR	1	
4	12755-48G00	SHAFT ,IDLER	2	
5	12761-48G00	CHAIN ,CAMSHAFT DRIVE NO.1	2	
6	12762-48G00	CHAIN ,CAMSHAFT DRIVE NO.2	2	
7	12771-48G00	GUIDE ,CAM CHAIN NO.1	2	
8	12772-48G00	GUIDE ,CAM CHAIN NO.2 FRONT	1	
9	12774-48G00	GUIDE ,CAM CHAIN NO.2 REAR	1	
10	12773-48G00	GUIDE ,CAM CHAIN NO.3	2	
11	12811-48G00	TENSIONER ,CAM CHAIN NO.1 FR	1	
12	12813-48G00	TENSIONER ,CAM CHAIN NO.1 RR	1	
13	12814-48G00	TENSIONER ,CAM CHAIN NO.2	2	
14	12812-31G00	BOLT ,CAM CHAIN TENSIONER	6	
15	09103-12013	BOLT( 12X28 )	1	
16	09168-06023	GASKET( 5.8X13X1.2 )	4	
17	08313-20067	NUT	4	
18	12831-48G00	ADJUSTER , TENSIONER NO.1 FRONT	1	
19	12832-48G00	ADJUSTER , TENSIONER NO.1 REAR	1	
20	12833-17G00	PLUG , TENSIONER ADJUSTER	2	
21	12834-48G00	ADJUSTER , TENSIONER NO.2 FRONT	1	
22	12831-35F00	-SPRING	1	
23	12837-24F10	-GASKET , TENSIONER ADJUSTER	1	
24	12835-48G00	ADJUSTER , TENSIONER NO.2 REAR	1	
25	12831-35F00	-SPRING	1	
26	12837-24F10	-GASKET , TENSIONER ADJUSTER	1	
27	12837-27G00	GASKET	2	
28	01550-0620A	BOLT	2	
29	01550-0630A	BOLT	2	
30	07130-0625A	BOLT	4	

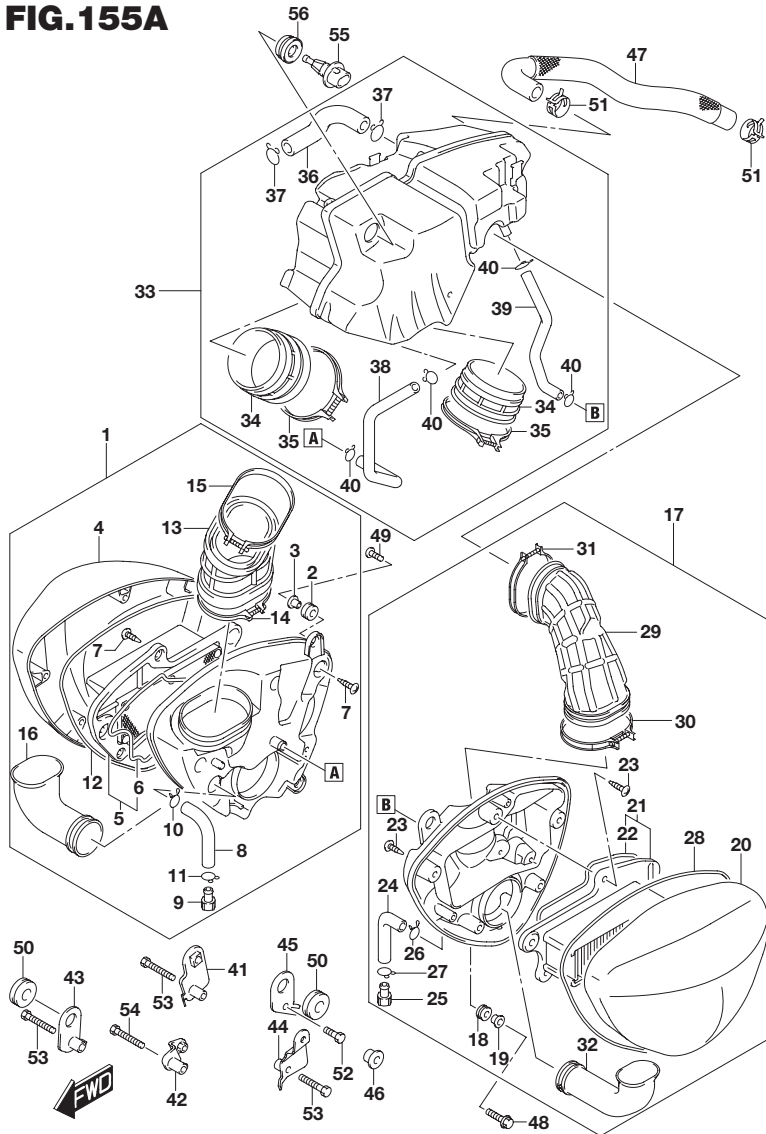
**FIG.140A**



**FIG.140A (1-C-2) THROTTLE BODY**

REF NO.	PART NO.	DESCRIPTION	Q'TY	REMARKS
1	13405-48G20	BODY ASSY , THROTTLE	1	
2	13269-48G00	·ADJUSTER	2	
3	13521-29FA0	·O RING	2	
4	13580-29G00	·SENSOR ASSY	1	
5	13580-48G00	·SENSOR ASSY	1	
6	13575-29G00	·O RING	2	
7	13605-02F00	·SCREW	2	
8	15710-48G00	INJECTOR ASSY	2	
9	15717-58B00	·O RING	2	
10	15722-29G00	SEAL	2	
11	13602-06148	SCREW	4	
12	13683-48G00	HOSE	1	
13	13683-48G10	HOSE	1	
14	15730-48G01	PIPE ASSY , DELIVERY	1	
15	15630-29G10	SENSOR , PRESSURE	2	
16	15625-29G00	·COVER	2	
17	18117-48G00	VALVE ,ISC	1	
18	13697-48G00	HOSE ,ISC VALVE ,RH	1	
19	13698-48G00	HOSE ,ISC VALVE ,LH	1	
20	09401-13102	CLIP	4	
21	03111-0625A	SCREW	2	
22	44612-13600	CUSHION	1	

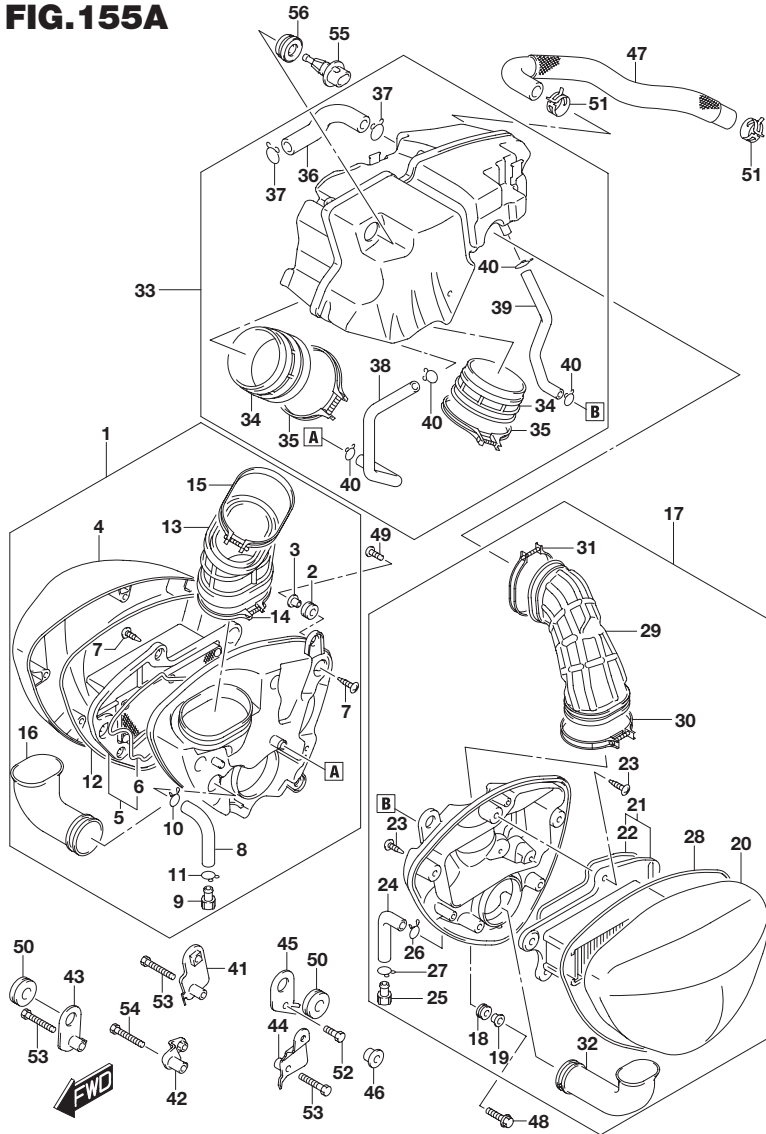
**FIG.155A**



**FIG.155A (1-C-3) AIR CLEANER**

REF NO.	PART NO.	DESCRIPTION	Q'TY	REMARKS
1	13701-48G20	CLEANER , AIR RH	1	
2	09320-09016	·CUSHION	2	
3	13812-29C50	·COLLAR , CLEANER CASE	2	
4	13741-48G00	·CAP , AIR CLEANER	1	
5	13780-48G20	·FILTER , AIR CLEANER	1	
6	13747-48G00	··GASKET ,FILTER	1	
7	03212-0516B	·SCREW	8	
8	13873-48G00	·TUBE	1	
9	13877-00190	·PLUG	1	
10	09401-14301	·CLIP	1	
11	09401-15101	·CLIP	1	
12	13746-48G00	·GASKET ,CASE	1	
13	13739-48G00	·TUBE , JOINT RH	1	
14	13826-48G00	·CLAMP	1	
15	13827-48G00	·CLAMP	1	
16	13891-48G20	·TUBE , INLET	1	
17	13702-48G20	CLEANER , AIR LH	1	
18	09320-09016	·CUSHION	2	
19	13812-29C50	·COLLAR , CLEANER CASE	2	
20	13741-48G00	·CAP , AIR CLEANER	1	
21	13780-48G20	·FILTER , AIR CLEANER	1	
22	13747-48G00	··GASKET ,FILTER	1	
23	03212-0516B	·SCREW	8	
24	13873-48G00	·TUBE	1	
25	13877-00190	·PLUG	1	
26	09401-14301	·CLIP	1	
27	09401-15101	·CLIP	1	
28	13746-48G00	·GASKET ,CASE	1	
29	13739-48G10	·TUBE , JOINT LH	1	
30	13826-48G00	·CLAMP	1	
31	13827-48G00	·CLAMP	1	
32	13891-48G20	·TUBE , INLET	1	
33	13710-48G20	CHAMBER , AIR CLEANER	1	
34	13881-48G00	·TUBE , OUTLET	2	

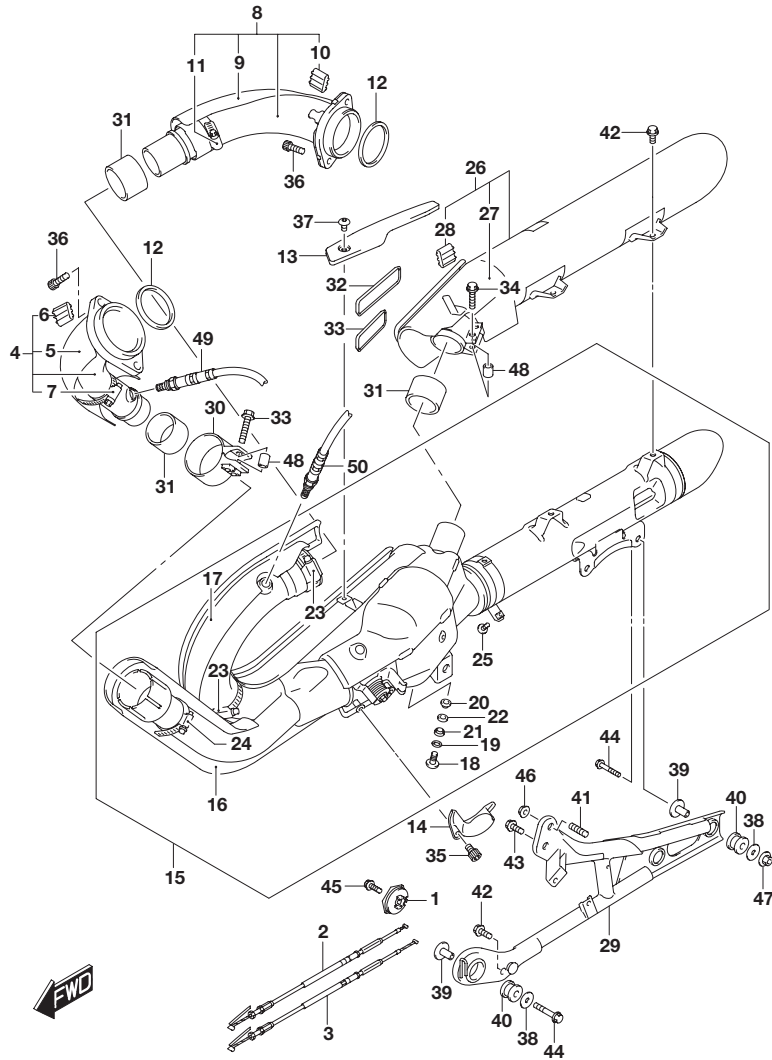
**FIG.155A**



**FIG.155A (1-C-4) AIR CLEANER**

REF NO.	PART NO.	DESCRIPTION	Q'TY	REMARKS
35	13826-22H00	·CLAMP	2	
36	13865-48G00	·HOSE	1	
37	09401-15101	·CLIP	2	
38	13871-48G00	·TUBE , DRAIN	1	
39	13871-48G10	·TUBE , DRAIN	1	
40	09401-13409	·CLIP	4	
41	13760-48G00	BRACKET , NO.1	1	
42	13760-48G10	BRACKET , NO.2	1	
43	13760-48G20	BRACKET , NO.3	1	
44	13770-48G00	BRACKET , NO.4	1	
45	13770-48G10	BRACKET , NO.5	1	
46	13838-48G10	SPACER ,AIR CLEANER , LH	1	
47	13850-48G10	TUBE , BREATHER	1	
48	09139-06154	BOLT ( 6X35 )	1	
49	09139-06155	BOLT ( 6X20 )	3	
50	09320-08028	CUSHION	2	
51	09401-20405	CLIP	2	
52	01500-0612A	BOLT	1	
53	01500-0625A	BOLT	3	
54	09139-06154	BOLT ( 6X35 )	1	
55	13650-52G00	SENSOR , AIR TEMP	1	
56	13655-77E00	GROMMET , AIR TEMP SENSOR	1	

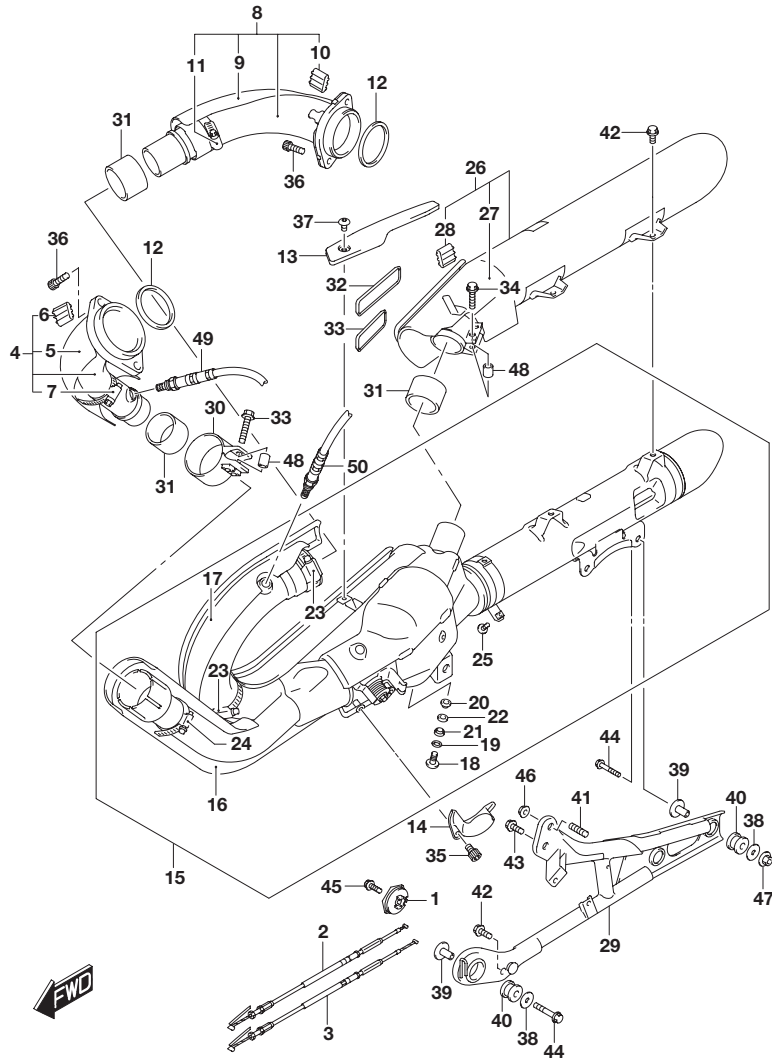
**FIG.163A**



**FIG.163A (1-C-5) MUFFLER**

REF NO.	PART NO.	DESCRIPTION	Q'TY	REMARKS
1	11269-18G01	PULLEY ,CONTROLLER	1	
2	11276-48G00	CABLE ,EXHAUST VALVE NO.1	1	
3	11277-48G00	CABLE ,EXHAUST VALVE NO.2	1	
4	14150-48G20	PIPE ,EXHAUST FR	1	
5	14168-48G20	·COVER ,EXH FR PIPE	1	
6	14795-10FA0	·GROMMET	2	
7	09402-57511	·CLAMP	1	
8	14160-48G20	PIPE ,EXHAUST RR	1	
9	14169-48G20	·COVER ,EXH RR PIPE	1	
10	14795-10FA0	·GROMMET	1	
11	09402-67501	·CLAMP	1	
12	14181-10F00	GASKET	2	
13	14260-48G00	COVER ,REAR UPPER	1	
14	14280-48G00	COVER ,EXHAUST VALVE	1	
15	14305-48G42	MUFFLER ,FR	1	
16	14170-48G40	·COVER ,EXH FR	1	
17	14180-48G40	·COVER ,EXH RR	1	
18	09139-06028	·SCREW ( 6X20 )	3	
19	09160-06141	·WASHER ( 6.5X20X1 )	3	
20	09180-06331	·SPACER ( 6.2X8.4X10.9 )	3	
21	09320-08080	·CUSHION	3	
22	09320-08081	·CUSHION	3	
23	09402-67501	·CLAMP	2	
24	09402-57511	·CLAMP	1	
25	07120-0610A	·BOLT	1	
26	14340-48G20	BODY ,MUFFLER RR	1	
27	14344-48G20	·COVER ,UP MUFFLER FR	1	
28	14795-10FA0	·GROMMET	4	
29	14410-48G00	BRACKET	1	
30	14459-48G00	CLAMP	1	
31	14771-42F31	CONNECTOR	3	
32	14780-48G00	PROTECTOR ,FR	1	
33	14790-48G00	PROTECTOR ,RR	1	
34	09103-08365	BOLT ( 8X35 )	4	

**FIG.163A**



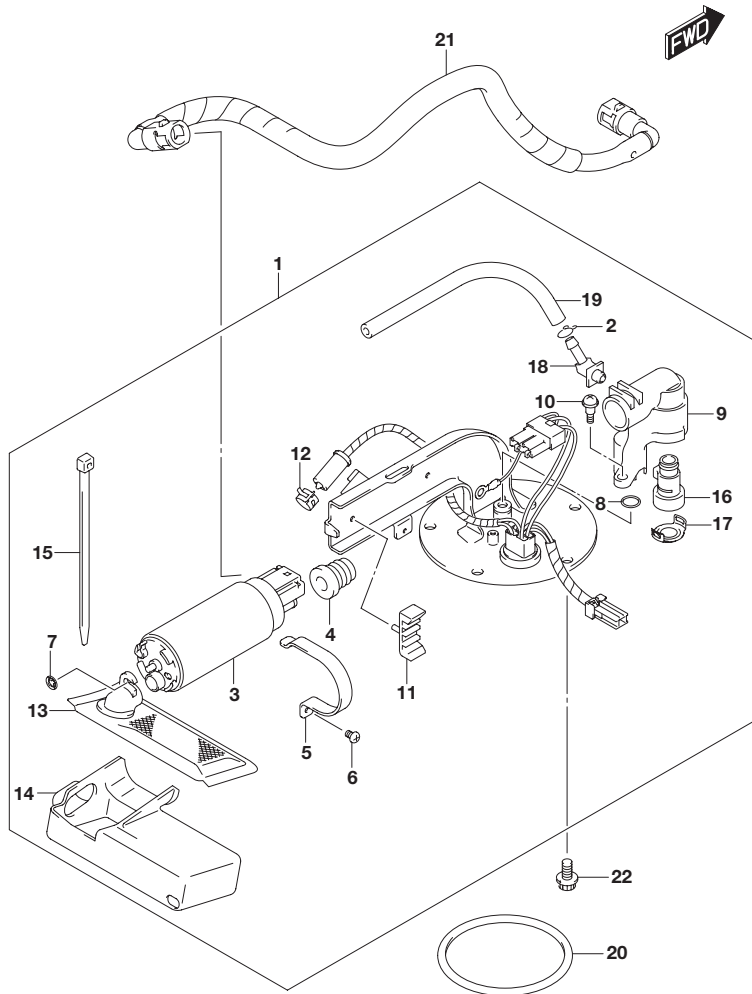
**FIG.163A (1-C-6) MUFFLER**

REF NO.	PART NO.	DESCRIPTION	Q'TY	REMARKS
35	09106-06075	BOLT (6X12)	2	
36	09106-08165	BOLT (8X25)	4	
37	09139-06122	SCREW (6X10)	1	
38	09160-08146	WASHER (8.5X33X1.5)	3	
39	09180-08156	SPACER (8.6X12X27.1)	3	
40	09320-12049	CUSHION	3	
41	01411-0820A	BOLT	1	
42	14425-48G00	BOLT	2	
43	14425-48G00	BOLT	2	
44	01550-0845A	BOLT	3	
45	07120-0516A	BOLT	1	
46	08319-3108A	NUT	1	
47	08361-2508A	NUT	2	
48	14458-06H00	SPACER , MUFFLER	4	
49	18213-48G10	SENSOR , OXYGEN FR	1	
50	18213-48G20	SENSOR , OXYGEN RR	1	



**FIG.172A**

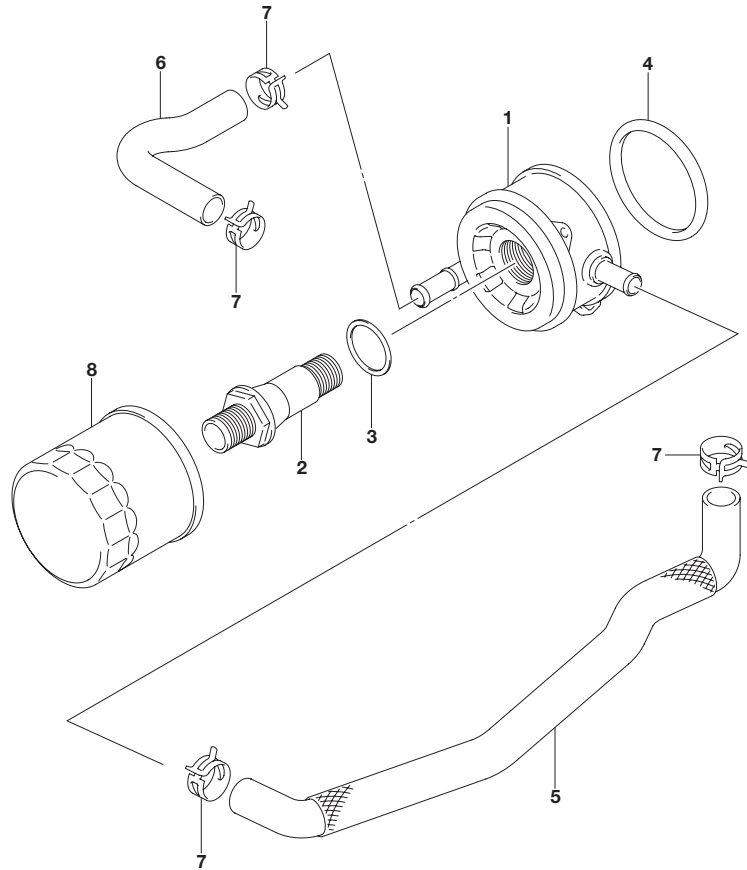
**2**



**FIG.172A (1-C-7) FUEL PUMP**

REF NO.	PART NO.	DESCRIPTION	Q'TY	REMARKS
1	15100-48G10	PUMP ASSY ,FUEL	1	
2	13693-24F00	·CLIP	1	
3	15110-48G00	·PUMP	1	
4	15114-48G00	·INSULATOR	1	
5	15115-14G00	·HOLDER	1	
6	15116-48G00	·SCREW	1	
7	15119-14G00	·PLATE	1	
8	15125-48G00	·O RING	1	
9	15131-48G00	·ADAPTER	1	
10	15135-48G00	·SCREW	1	
11	15141-48G00	·INSULATOR	2	
12	15175-48G00	·CLAMP	1	
13	15420-48G00	·FILTER	1	
14	15425-48G00	·COVER	1	
15	15426-48G00	·BAND	1	
16	15610-48G00	·REGULATOR	1	
17	15613-48G00	·CLIP	1	
18	15614-48G00	·JOINT	1	
19	15615-48G00	·HOSE	1	
20	15201-35F00	O RING	1	
21	15810-48G01	HOSE	1	
22	07120-0612A	BOLT	5	

**FIG.178A**

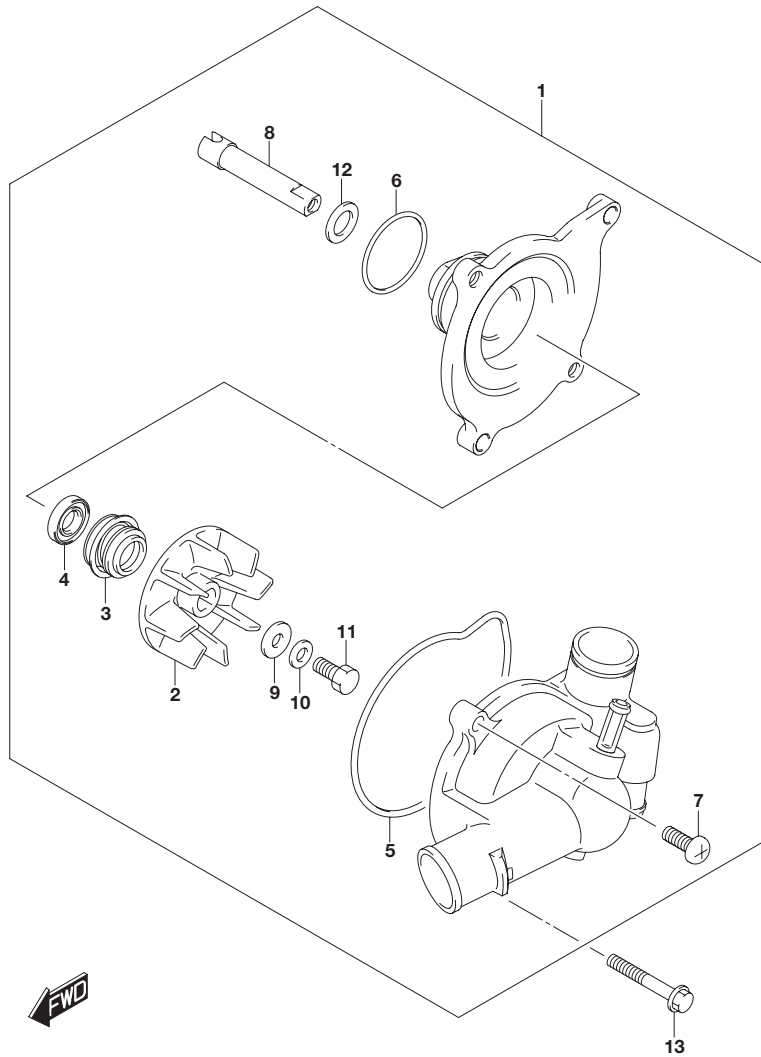


**FIG.178A (1-C-8) OIL COOLER**

REF NO.	PART NO.	DESCRIPTION	Q'TY	REMARKS
1	16600-48G00	COOLER ASSY ,OIL	1	
2	16591-49X00	BOLT ,OIL COOLER UNION	1	
3	09181-25160	SHIM( 25X34X0.7 )	1	
4	09280-64003	O RING( D:3.1 ,JD:63.9 )	1	
5	16461-48G00	HOSE , OIL COOLER WATER INLET	1	
6	16471-48G00	HOSE , OIL COOLER WATER OUTLET	1	
7	09401-16407	CLIP	4	
8	16510-07J00	FILTER ASSY ,ENGINE OIL	1	

**FIG.180A**

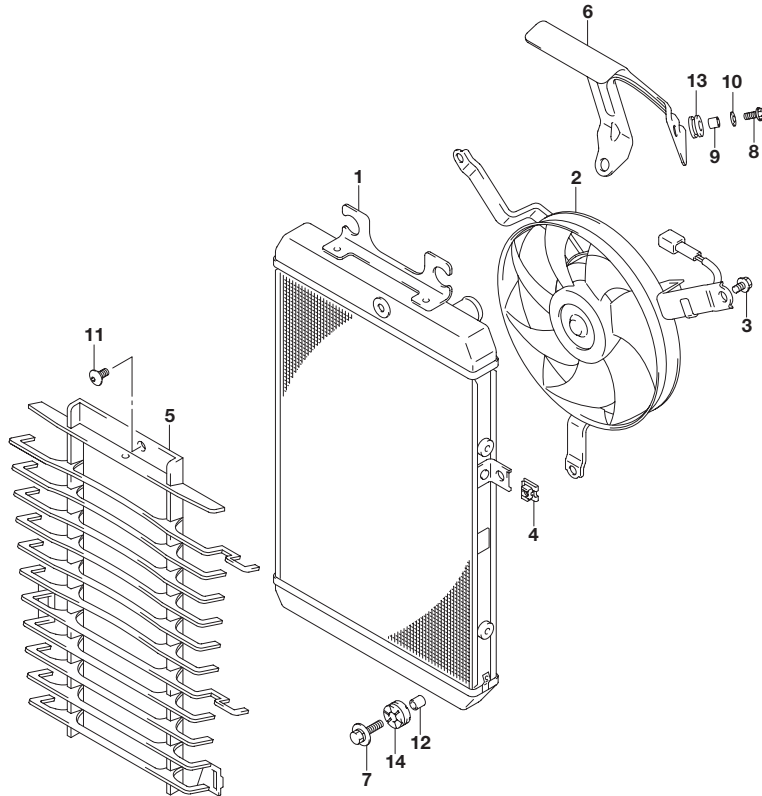
**2**



**FIG.180A (1-C-9) WATER PUMP**

REF NO.	PART NO.	DESCRIPTION	Q'TY	REMARKS
1	17400-48G00	PUMP ASSY ,WATER	1	
2	17491-17E01	·IMPELLER	1	
3	17470-02F10	·SEAL	1	
4	09283-10004	·OIL SEAL( 10X21X5)	1	
5	17418-33400	·O RING	1	
6	17435-33400	·O RING	1	
7	02112-0616B	·SCREW	2	
8	17511-48G00	·SHAFT	1	
9	09168-06025	·GASKET ( 6X15X2.2 )	1	
10	09164-06006	·WASHER	1	
11	09100-06099	·BOLT ( 6X13 )	1	
12	09181-10167	·SHIM ( 10X18X1 )	1	
13	01547-0635A	BOLT	2	

**FIG.185A**

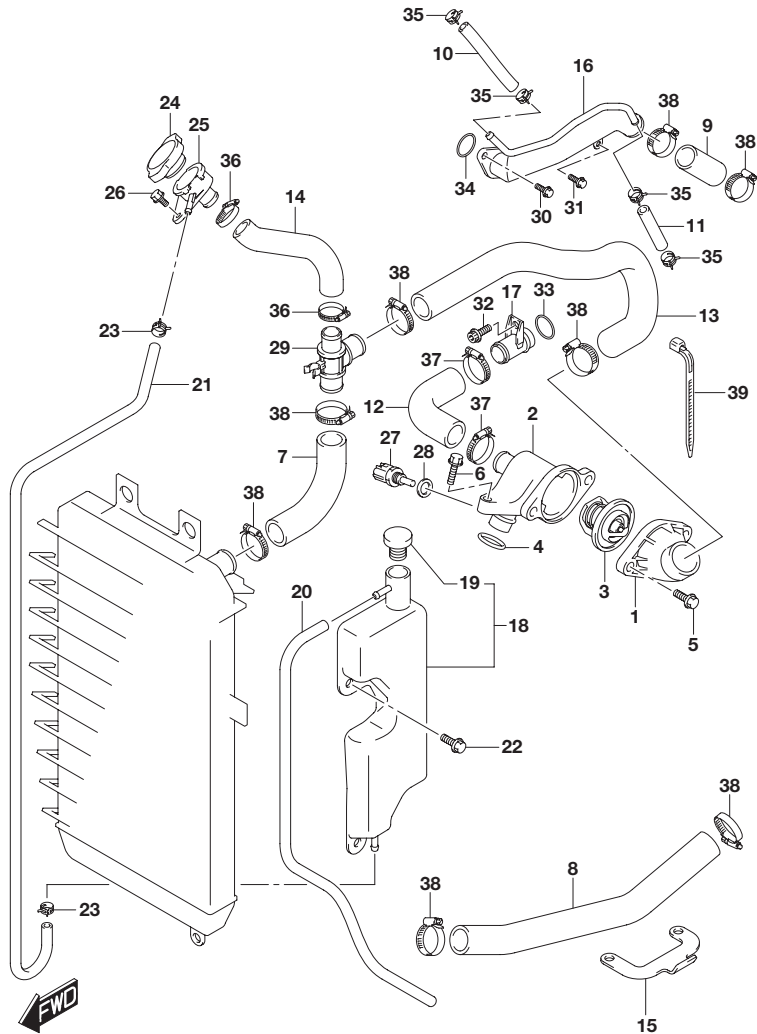


**FIG.185A (1-C-10) RADIATOR**

REF NO.	PART NO.	DESCRIPTION	Q'TY	REMARKS
1	17710-48G00	RADIATOR ASSY , WATER	1	
2	17800-48G00	FAN ASSY , RADIATOR	1	
3	17711-40F00	BOLT	3	
4	17712-40F00	NUT	2	
5	17761-48G00	GUARD , RADIATOR	1	
6	17771-48G10	SHIELD , HEAT	1	
7	09118-06097	BOLT ( 6X25 )	3	
8	01547-0616B	BOLT	3	
9	09180-06001	SPACER ( 6.2X8.3X5.7 )	3	
10	09160-06152	WASHER ( 6.5X20X1.2 )	3	
11	09139-06144	SCREW (6X12)	1	
12	09180-06290	SPACER ( 6.5X10X12 )	3	
13	09320-08066	CUSHION	3	
14	09320-10051	CUSHION	3	



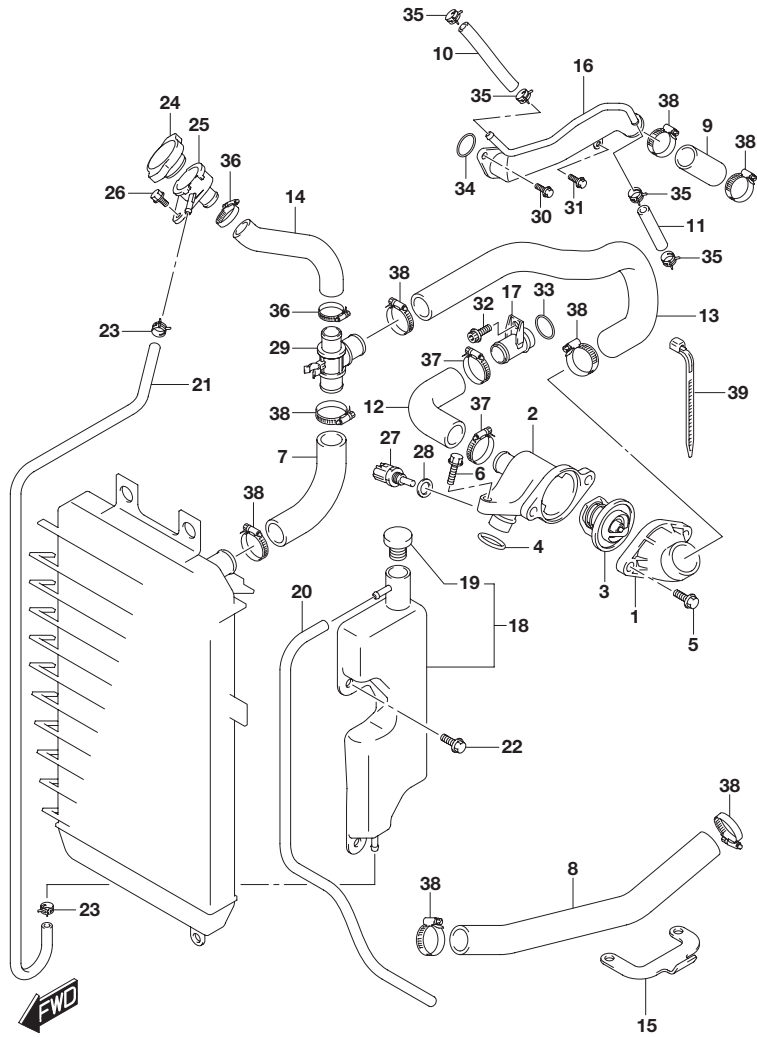
**FIG.187A**



**FIG.187A (1-C-11) RADIATOR HOSE**

REF NO.	PART NO.	DESCRIPTION	Q'TY	REMARKS
1	17661-48G10	COVER , THERMOSTAT	1	
2	17662-48G00	CONNECTOR , HERMOSTAT INLET	1	
3	17670-06G50	THERMOSTAT , WATER	1	
4	09280-18008	O RING( D:3.2 ,ID:17.8 )	1	
5	01547-0620A	BOLT	2	
6	01547-0625A	BOLT	1	
7	17851-48G00	HOSE , RADIATOR INLET	1	
8	17852-48G00	HOSE , RADIATOR OUTLET	1	
9	17853-48G00	HOSE , CYLINDER INLET	1	
10	17854-48G00	HOSE , WATER BYPASS UPPER	1	
11	17855-48G00	HOSE , WATER BYPASS LOWER	1	
12	17856-48G00	HOSE , REAR CYL HEAD OUTLET	1	
13	17857-48G01	HOSE , THERMOSTAT OUTLET	1	
14	17858-48G00	HOSE , CONDUCTION	1	
15	17859-48G00	BRACKET , HOSE GUIDE	1	
16	17860-48G00	PIPE , CYL WATER INLET	1	
17	17890-06G20	UNION ,CONNECTOR HOSE	1	
18	17910-48G00	TANK ASSY , RESERVOIR	1	
19	17931-02FA0	-CAP	1	
20	09352-50901-00B	HOSE( 5X9X2000 )	1	L:2000 700
21	17981-48G00	HOSE , TANK INLET	1	
22	09111-06085	BOLT( 6X12 )	2	
23	09401-08411	CLIP	2	
24	17730-08J00	CAP	1	
25	17791-24D00	CONDUCTION	1	
26	01550-0612A	BOLT	1	
27	13650-10G00	SENSOR , WATER TEMP	1	
28	09168-12017	GASKET( 12X17X1 )	1	
29	17891-48G00	JOINT , 3 WAY	1	
30	09103-06274	BOLT( 6X16 )	2	
31	09103-06280	BOLT( 6X12 )	1	
32	07130-0612A	BOLT	1	
33	09280-18008	O RING( D:3.2 ,ID:17.8 )	1	
34	09280-26005	O RING( D:2.4 ,ID:26.2 )	1	

**FIG.187A**

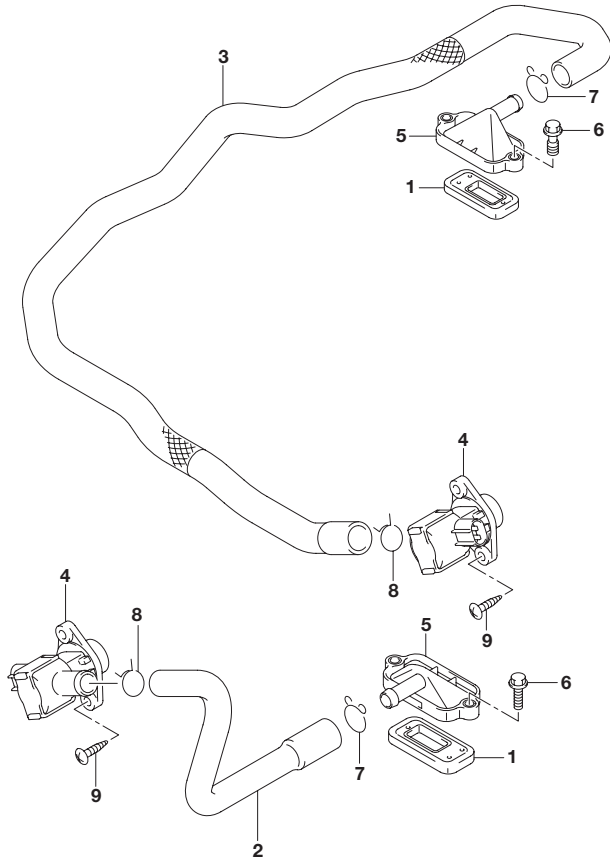


**FIG.187A (1-C-12) RADIATOR HOSE**

REF NO.	PART NO.	DESCRIPTION	Q'TY	REMARKS
35	09401-12414	CLAMP	4	
36	09402-28513	CLAMP	2	
37	09402-32512	CLAMP	2	
38	09402-38512	CLAMP	8	
39	09407-25401	CLAMP (L:235)	1	

**FIG.189A**

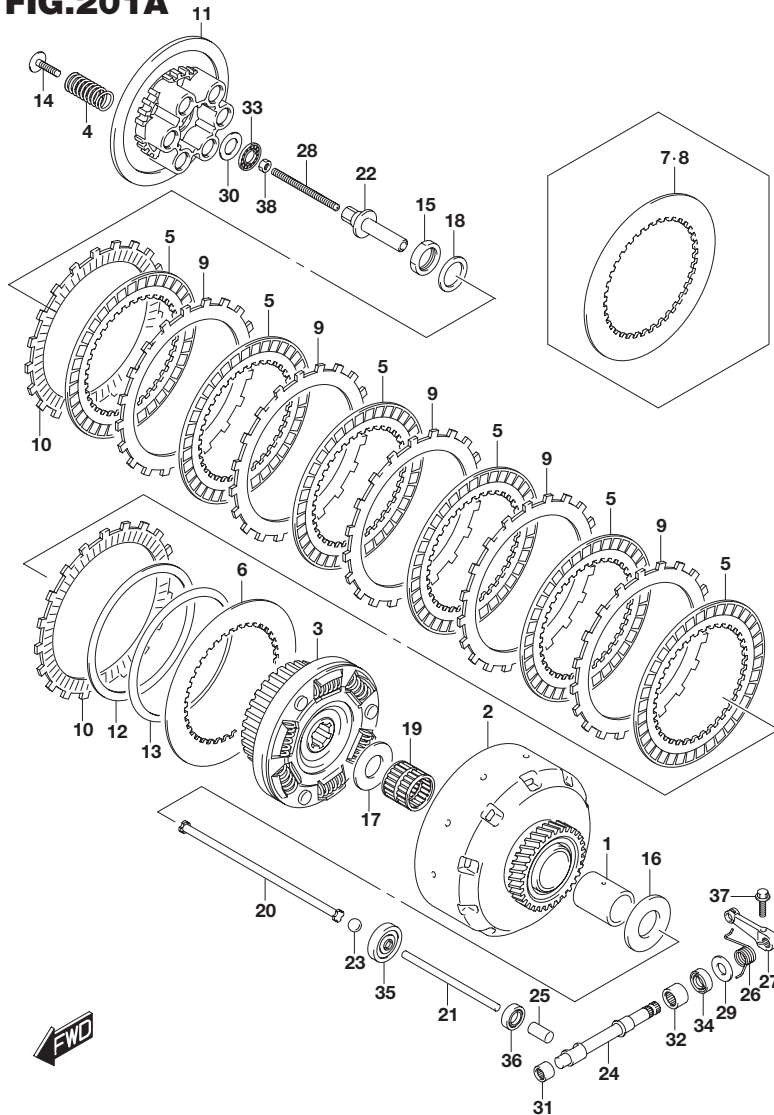
**2**



**FIG.189A (1-C-13) 2ND AIR**

REF NO.	PART NO.	DESCRIPTION	Q'TY	REMARKS
1	18450-06G00	VALVE ASSY ,2ND AIR REED	2	
2	18461-48G00	HOSE ,FRONT	1	
3	18471-48G00	HOSE ,REAR	1	
4	18510-27G01	VALVE ASSY ,AIR CUT	2	
5	18531-06G01	COVER	2	
6	09103-06201	BOLT ( 6X20 )	4	
7	09401-15101	CLIP	2	
8	09401-18304-A05	CLIP	2	
9	03541-0520A	SCREW	4	

**FIG.201A**

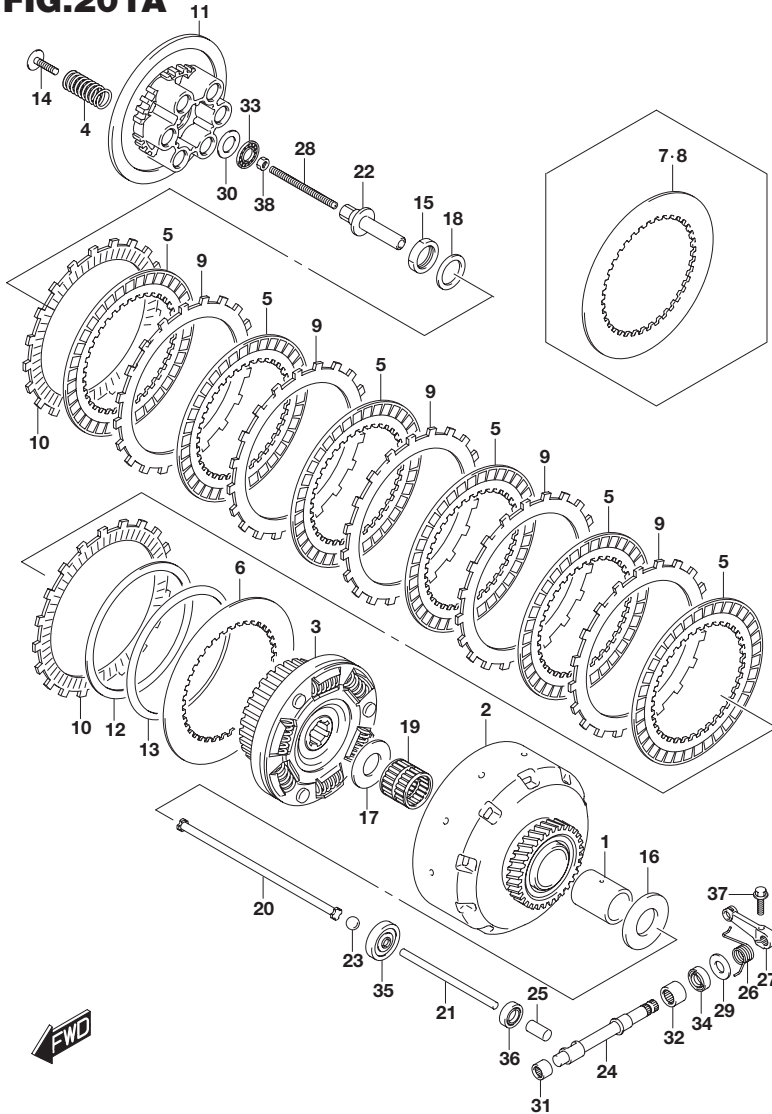


**FIG.201A (1-C-14) CLUTCH**

REF NO.	PART NO.	DESCRIPTION	Q'TY	REMARKS
1	21151-48G00	SPACER ,PRIMARY DRIVE GEAR	1	
2	21100-48G10	GEAR ASSY ,PRIMARY DRIVE (NT:34)	1	
3	21410-48G10	HUB ,CLUTCH SLEEVE	1	
4	21413-35F10	SPRING ,CLUTCH	6	
5	21441-22H00	PLATE ,CLUTCH DRIVE NO.1 (T:3.0)	6	
6	21441-48G40	PLATE ,CLUTCH DRIVE NO.2 (T:2.0)	1	
7	21441-48G50	PLATE ,CLUTCH DRIVE NO.3 (T:2.3)	1	
8	21441-48G60	PLATE ,CLUTCH DRIVE NO.4 (T:1.6)	1	
9	21451-22H00	PLATE ,CLUTCH DRIVEN NO.1 (T:2.3)	5	
10	21451-48G10	PLATE ,CLUTCH DRIVEN NO.2 (T:3.4)	2	
11	21462-48G00	DISC ,CLUTCH PRESSURE	1	
12	21471-48G00	SEAT ,WAVE WASHER	1	
13	21472-48G10	WASHER ,CLUTCH PLATE	1	
14	21482-41G00	BOLT ,CLUTCH SPRING	6	
15	09159-24010	NUT	1	
16	09160-25056	WASHER (25X50X2.5)	1	
17	09160-25056	WASHER (25X50X2.5)	1	
18	09164-24008	WASHER	1	
19	09263-32020	BEARING (32X37X38.3)	1	
20	23110-24F00	ROD ,CLUTCH	1	
21	23111-48G00	ROD ,CLUTCH PUSH , LH	1	
22	23121-41G00	PIECE ,CLUTCH PUSH	1	
23	23122-02FR0	BALL ,CLUTCH PUSH	1	
24	23122-48G00	CAMSHAFT ,CLUTCH RELEASE	1	
25	23123-41G00	CAP ,CLUTCH PUSH ROD	1	
26	23125-48G00	SPRING ,CLUTCH RELEASE RETURN	1	
27	23271-48G00	ARM ,CLUTCH RELEASE	1	
28	09134-06015	SCREW (6X73)	1	
29	09160-10020	WASHER (10.5X24X1)	1	



**FIG.201A**

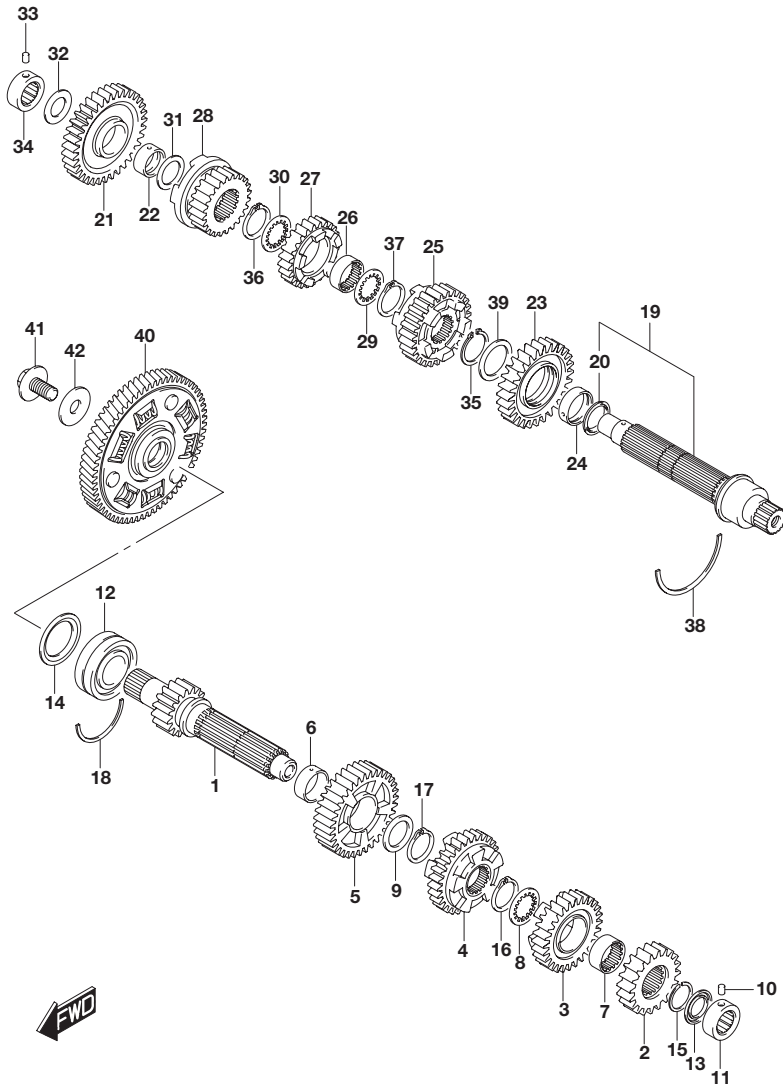


**FIG.201A (1-C-15) CLUTCH**

REF NO.	PART NO.	DESCRIPTION	Q'TY	REMARKS
30	09160-15045	WASHER ( 15.5X28X1 )	1	
31	09263-10014	BEARING ( 10X14X10 )	1	
32	09263-12027	BEARING ( 12X18X12 )	1	
33	09263-15003	BEARING ( 15X28X2 )	1	
34	09282-10012	OIL SEAL ( 10X20X6 )	1	
35	09283-06010	OIL SEAL ( 6X34X10.5 )	1	
36	09285-10004	OIL SEAL ( 10X17X5 )	1	
37	01547-0620A	BOLT	1	
38	08310-0006A	NUT	1	

2

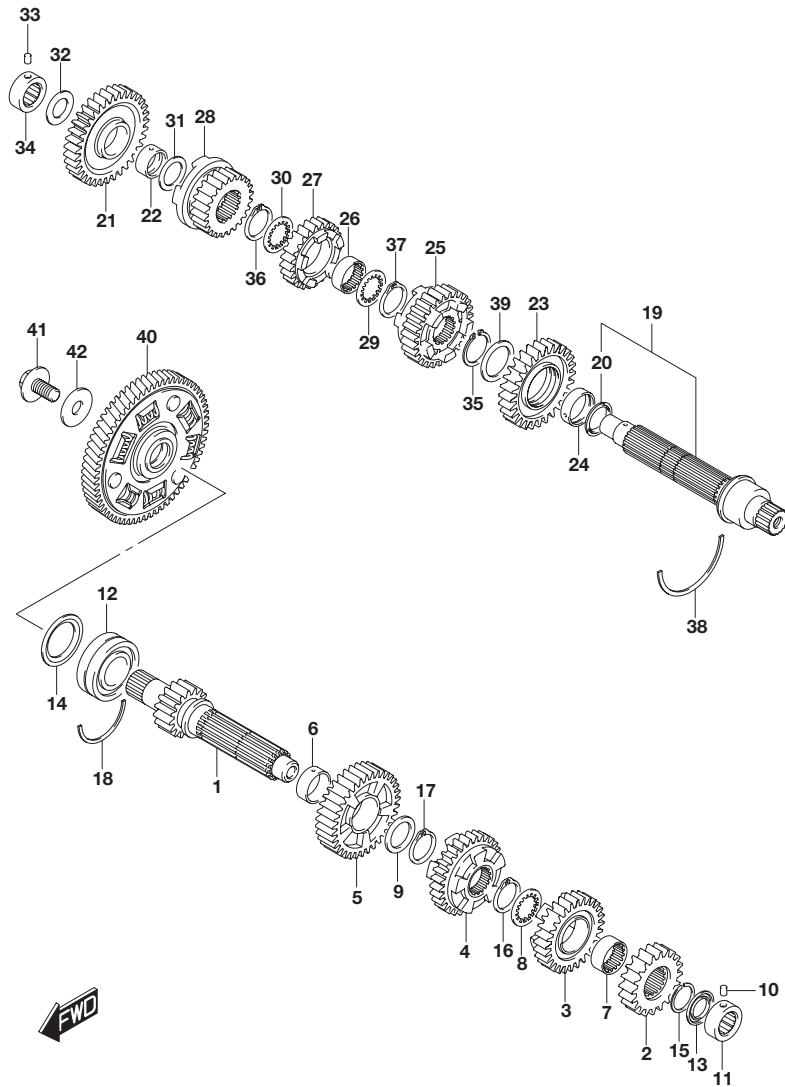
**FIG.206A**



**FIG.206A (1-D-2) TRANSMISSION**

REF NO.	PART NO.	DESCRIPTION	Q'TY	REMARKS
1	24121-48G10	SHAFT , COUNTER ( NT:16 )	1	
2	24221-48G00	GEAR , 2ND DRIVE ( NT:20 )	1	
3	24231-48G10	GEAR , 3RD DRIVE ( NT:28 )	1	
4	24241-48G10	GEAR , 4TH DRIVE ( NT:29 )	1	
5	24251-48G00	GEAR , 5TH DRIVE ( NT:35 )	1	
6	24252-24F10	BUSH , 5TH DRIVE GEAR	1	
7	24262-24F10	BUSH , 6TH DRIVE GEAR	1	
8	09167-27003	LOCK WASHER	1	
9	09181-27014	SHIM ( 27X36X2.5 )	1	
10	09261-06003	PIN ( 6X10 )	1	LH
11	09263-20087	BEARING ( 20X34X13.5 )	1	LH
12	09267-25012	BEARING ( 25X62X25.4 )	1	RH
13	09285-20006	OIL SEAL ( 20X31.2X2.7 )	1	
14	09285-34011	OIL SEAL ( 34X55.5X4 )	1	RH
15	09380-27004	CIRCLIP	1	
16	09380-27006	CIRCLIP	1	
17	09380-27006	CIRCLIP	1	
18	09390-62012	C RING	1	RH
19	24130-48G01	SHAFT , DRIVE ( NT:18 )	1	
20	24136-48G01	·RING , FRICTION	1	
21	24311-48G00	GEAR , 1ST DRIVEN ( NT:35 )	1	
22	24312-24F10	BUSH , 1ST DRIVEN GEAR	1	
23	24321-48G10	GEAR , 2ND DRIVEN ( NT:28 )	1	
24	24322-48G00	BUSH , 2ND DRIVEN GEAR	1	
25	24331-48G10	GEAR , 3RD DRIVEN ( NT:27 )	1	
26	24332-24F10	BUSH , 4TH DRIVEN GEAR	1	
27	24341-48G00	GEAR , 4TH DRIVEN ( NT:24 )	1	
28	24351-48G00	GEAR , 5TH DRIVEN ( NT:24 )	1	
29	09167-30008	LOCK WASHER	1	
30	09167-30008	LOCK WASHER	1	
31	09181-20251	SHIM ( 20X34X1 )	1	
32	09181-24005	SHIM ( 24X34X1 )	1	
33	09261-06003	PIN ( 6X10 )	1	
34	09263-20087	BEARING ( 20X34X13.5 )	1	

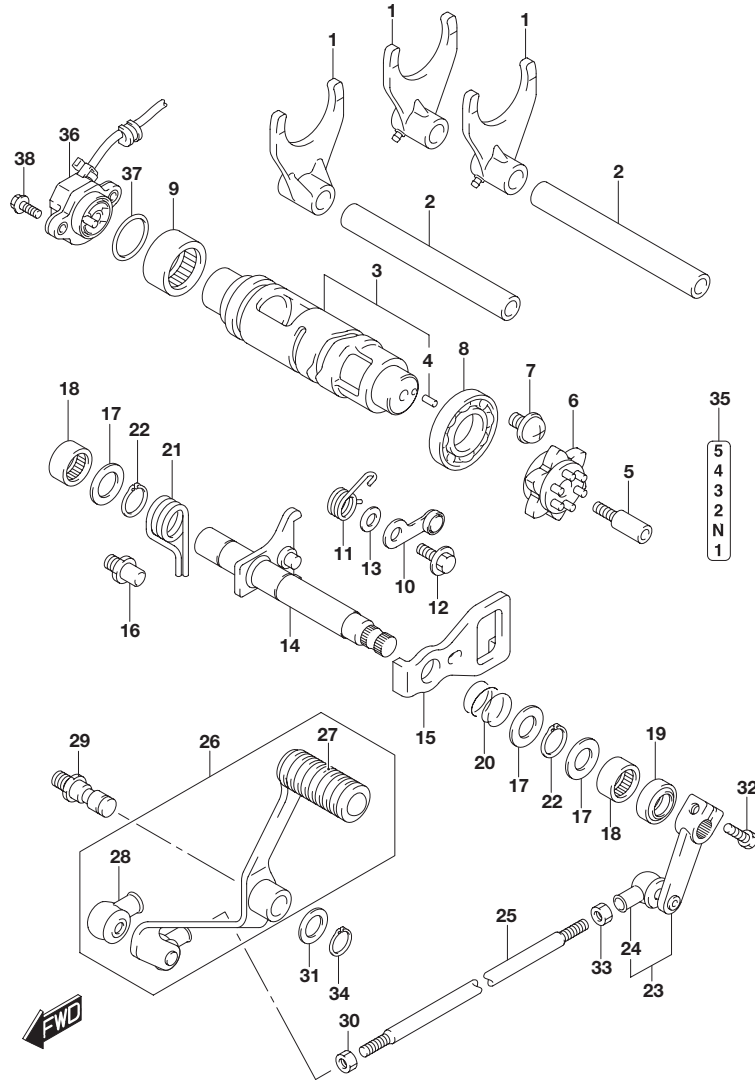
**FIG.206A**



**FIG.206A (1-D-3) TRANSMISSION**

REF NO.	PART NO.	DESCRIPTION	Q'TY	REMARKS
35	09380-30009	CIRCLIP	1	
36	09380-30009	CIRCLIP	1	
37	09380-30009	CIRCLIP	1	
38	09390-80004	C RING	2	
39	08211-30403	WASHER	1	
40	21200-22840	GEAR ASSY , PRIMARY DRIVEN ( NT:56 )	1	
41	09103-12084	BOLT ( 12X24 )	1	
42	09160-12045	WASHER ( 12X35X2 )	1	

**FIG.212A**

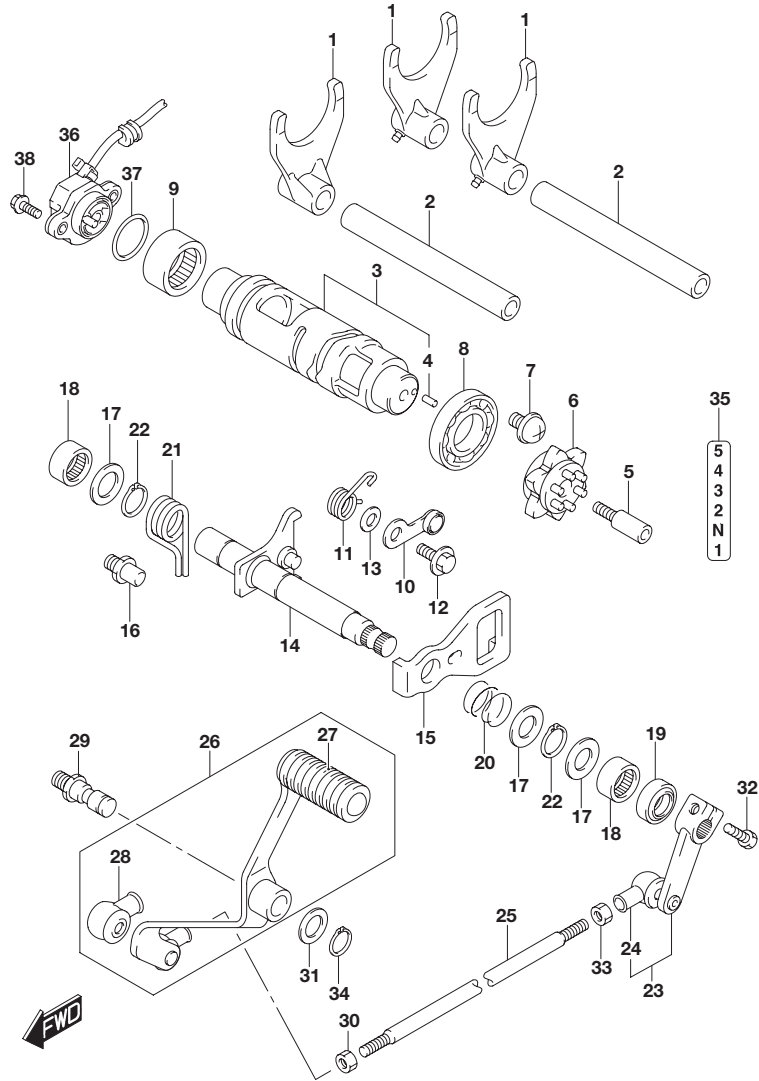


**FIG.212A (1-D-4) GEAR SHIFTING**

REF NO.	PART NO.	DESCRIPTION	Q'TY	REMARKS
1	25211-35F11	FORK , GEAR SHIFT NO.1	3	
2	25411-48G00	SHAFT , GEAR SHIFT FORK	2	
3	25310-48G00	CAM , GEAR SHIFT	1	
4	04221-04089	·PIN	1	
5	25312-42F01	BOLT , GEAR SHIFT CAM PLATE	1	
6	25381-13E00	PLATE , GEAR SHIFT CAM	1	
7	09136-06147	SCREW ( 6X12 )	2	
8	09262-25006	BEARING( 25X47X8 )	1	
9	09263-25018	BEARING( 25X32X12 )	1	
10	25350-06G00	STOPPER , SHIFT CAM	1	
11	25355-38F00	SPRING ,GR SHF CAM STOPPER ARM	1	
12	09111-06041	BOLT ( 6X14.3 )	1	
13	08211-06141	WASHER	1	
14	25510-48G00	SHAFT , GEAR SHIFT	1	
15	25512-13E20	PLATE , GEAR SHIFT CAM DRIVE	1	
16	25671-01011	STOPPER , GEAR SHIFT ARM	1	
17	09181-14167	SHIM( 14X22X1 )	3	
18	09263-14027	BEARING( 14X20X12 )	2	
19	09283-14005	OIL SEAL( 14X22X7.3 )	1	
20	09440-17009	SPRING	1	
21	09444-20001	SPRING	1	
22	08331-3114A	CIRCLIP	2	
23	25520-48G00	ARM , GEAR SHIFT LINK	1	
24	25526-47000	·COVER , DUST	1	
25	25525-48G00	ROD , GEAR SHIFT LINK	1	
26	25600-48G10	LEVER ASSY , GEAR SHIFT	1	
27	25652-38B00	·RUBBER , GEAR SHIFT	1	
28	25526-47000	·COVER , DUST	1	

**2**

**FIG.212A**

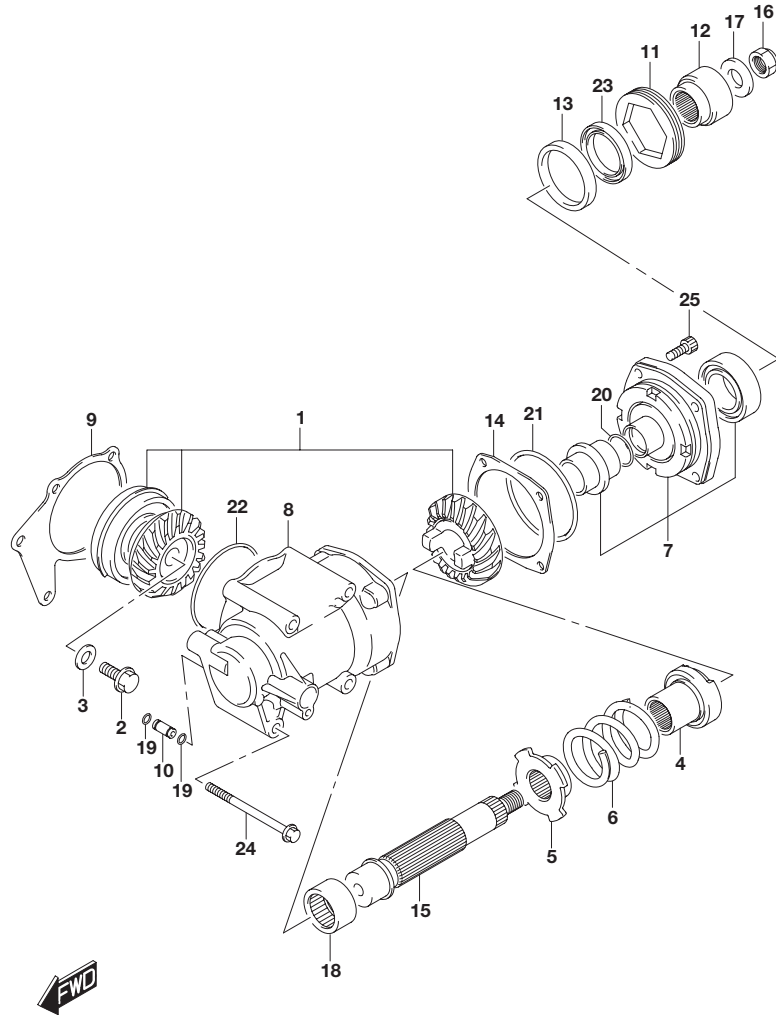


**FIG.212A (1-D-5) GEAR SHIFTING**

REF NO.	PART NO.	DESCRIPTION	Q'TY	REMARKS
29	25617-03F10	SHAFT ,GEAR SHIFT LEVER	1	
30	09140-06025	NUT	1	
31	09160-12011	WASHER ( 12.5X20X1 )	1	
32	01547-0620A	BOLT	1	
33	08310-0006A	NUT	1	
34	08331-3112A	CIRCLIP	1	
35	68392-38B00	LABEL ,GEAR SHIFT	1	
36	37730-48G02	SENSOR ASSY ,GEAR POSITION	1	
37	09280-26005	O RING( D:2.4 ,ID:26.2 )	1	
38	09106-05023	BOLT (5X16)	2	

**2**

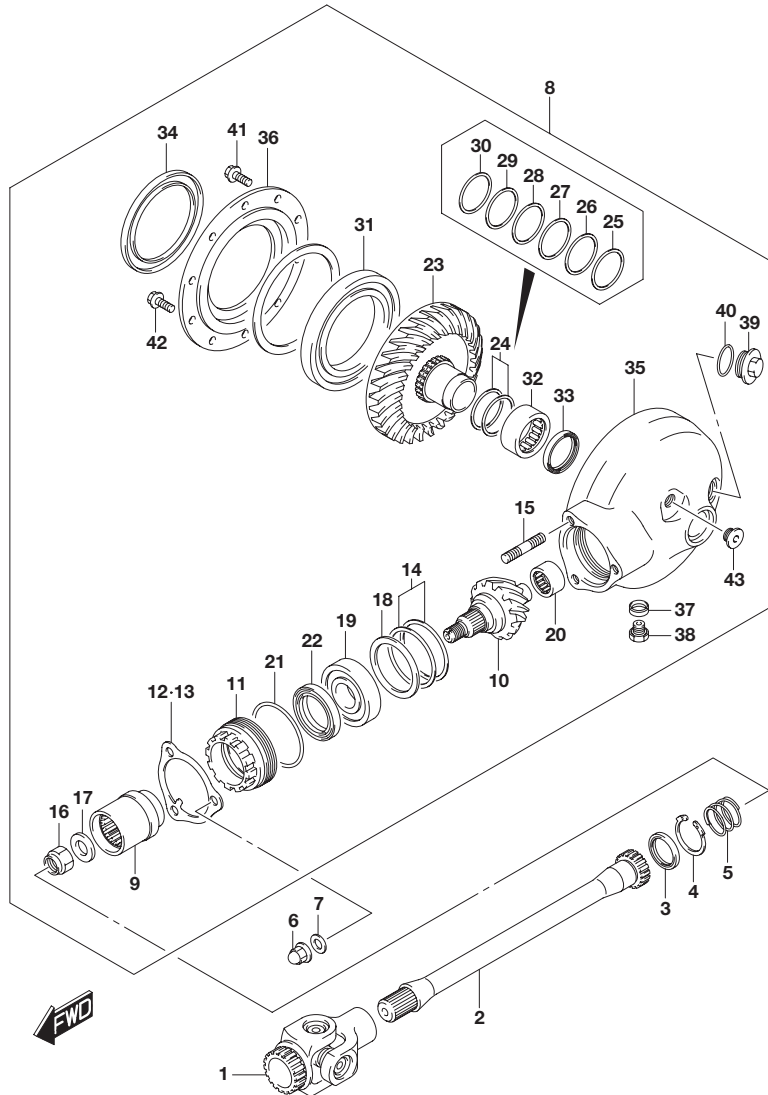
**FIG.216A**



**FIG.216A (1-D-6) SECONDARY DRIVE GEAR**

REF NO.	PART NO.	DESCRIPTION	Q'TY	REMARKS
1	24910-48830	GEAR SET ,SECONDARY	1	
2	09103-12084	BOLT( 12X24 )	1	
3	09160-12045	WASHER ( 12X35X2 )	1	
4	24923-48G10	DOG ,OUTPUT CAM	1	
5	24924-48G10	STOPPER ,CAM SPRING	1	
6	24925-48G00	SPRING ,SECONDARY DAMPER	1	
7	24926-48830	STOPPER SECONDARY SET ,DRIVEN	1	
8	24931-48G30	CASE , SECONDARY GEAR	1	
9	24935-48810	SHIM SET ,DRIVE	1	T:0.40/0.45/0.50/0.55/0.60/ 0.65/0.70/0.75/0.80
10	24940-26D00	PIPE , SECONDARY GEAR CASE OIL	1	
11	24942-26D00	STOPPER , SECONDARY DRIVEN	1	
12	24943-48G01	COUPLING ,SECONDARY DRIVEN	1	
13	24944-48G00	HOUSING , OIL SEAL	1	
14	24945-48810	SHIM SET , SECONDARY DRIVEN	1	T:0.30/0.35/0.40/0.50/0.60
15	24961-48G00	SHAFT ,SECONDARY DRIVEN BEVEL	1	
16	09159-16003	NUT	1	
17	09160-16040	WASHER ( 16.5X36X4 )	1	
18	09263-32012	BEARING ( 32X48X22 )	1	
19	09280-06008	O RING( D:1.7 ,ID:6 )	2	
20	09280-24010	O RING( D:2.4 ,ID:23.7 )	1	
21	09280-78003	O RING( D:3.7 ,ID:76.5 )	1	
22	09280-92003	O RING( D:2.4 ,ID:90.8 )	1	
23	09283-38011	OIL SEAL ( 38X54X6 )	1	
24	01550-0895A	BOLT	4	
25	09106-10087	BOLT ( 10X30 )	4	

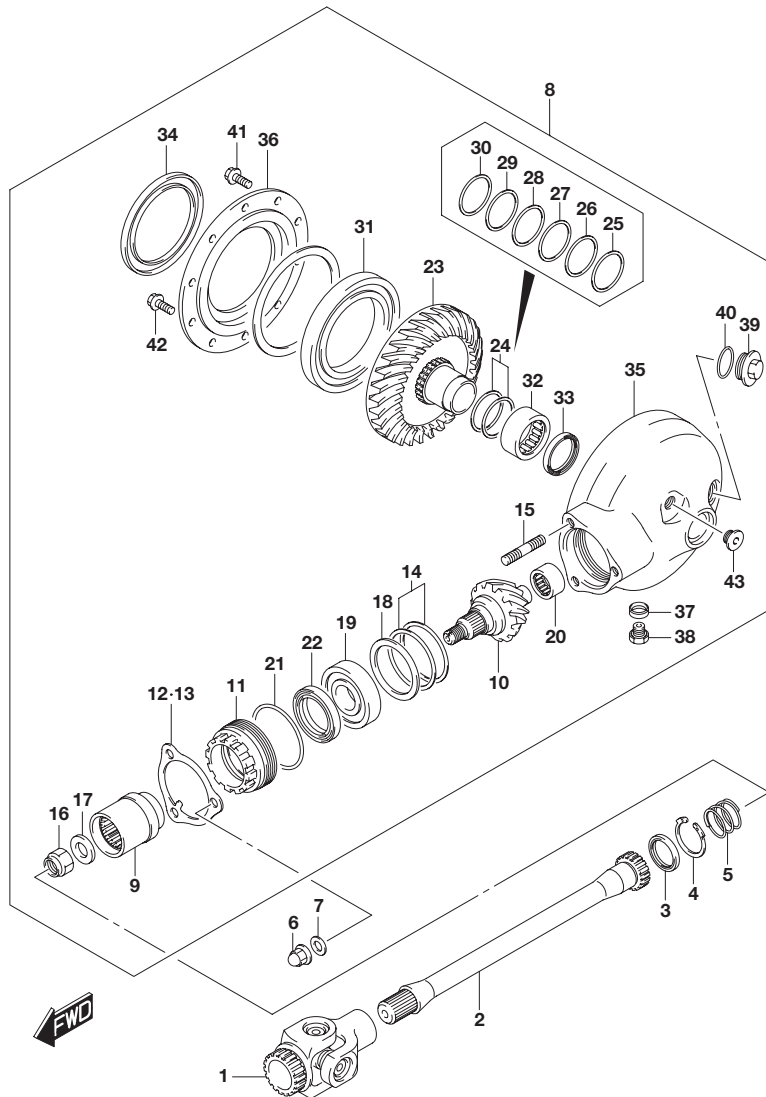
**FIG.220A**



**FIG.220A (1-D-7) PROPELLER SHAFT/FINAL DRIVE GEAR**

REF NO.	PART NO.	DESCRIPTION	Q'TY	REMARKS
1	27100-48G20	YOKE , UNIVERSAL JOINT	1	
2	27151-48G20	SHAFT , PROPELLER (L:375 )	1	
3	09283-30026	OIL SEAL ( 30X40.5X5.5 )	1	
4	09381-40003	CIRCLIP	1	
5	09440-30008	SPRING	1	
6	09159-10026	NUT	3	
7	09164-10008	WASHER	3	
8	27300-48850-13L	GEAR & CASE SET , FINAL BEVEL ( SILVER )	1	
9	27172-24A00	·COUPLING , FINAL DRIVE GEAR	1	
10	27311-24A03	·GEAR , FINAL DRIVE BEVEL ( NT:12 )	1	
11	27312-24A02	·STOPPER , FINAL DRIVE	1	
12	27313-38B00	·PLATE , BEARING STOPPER	1	
13	27313-38B10	·PLATE , BEARING STOPPER	1	
14	27445-24810	·SHIM SET ,FINAL DRIVE GEAR	1	T:0.30/0.35/0.40/0.50/0.60
15	09108-10106	·STUD BOLT	3	
16	09159-16003	·NUT	1	
17	09160-16029	·WASHER ( 16X29X4 )	1	
18	09160-54001	·WASHER ( 54X68X1.5 )	1	
19	09262-28023	·BEARING ( 28X68X18 )	1	
20	09263-20062	·BEARING ( 20X34X18 )	1	
21	09280-64003	·O RING ( D:3.1 ,JD:63.9 )	1	
22	09283-47002	·OIL SEAL ( 45.5X58X7 )	1	
23	27320-48G00	·GEAR , FINAL DRIVEN BEVEL	1	
24	27326-48811	·SHIM SET ,FINAL DRIVEN GEAR	1	RH
25	09181-40011	··SHIM ( 40X46.8X0.95 )	1	
26	09181-40013	··SHIM ( 40X46.8X1.05 )	3	
27	09181-40014	··SHIM ( 40X46.8X1.1 )	3	
28	09181-40176	··SHIM ( 40X50X1.2 )	2	
29	09181-40182	··SHIM ( 40X50X1.4 )	2	
30	09181-40212	··SHIM ( 40X50X1.5 )	2	

**FIG.220A**

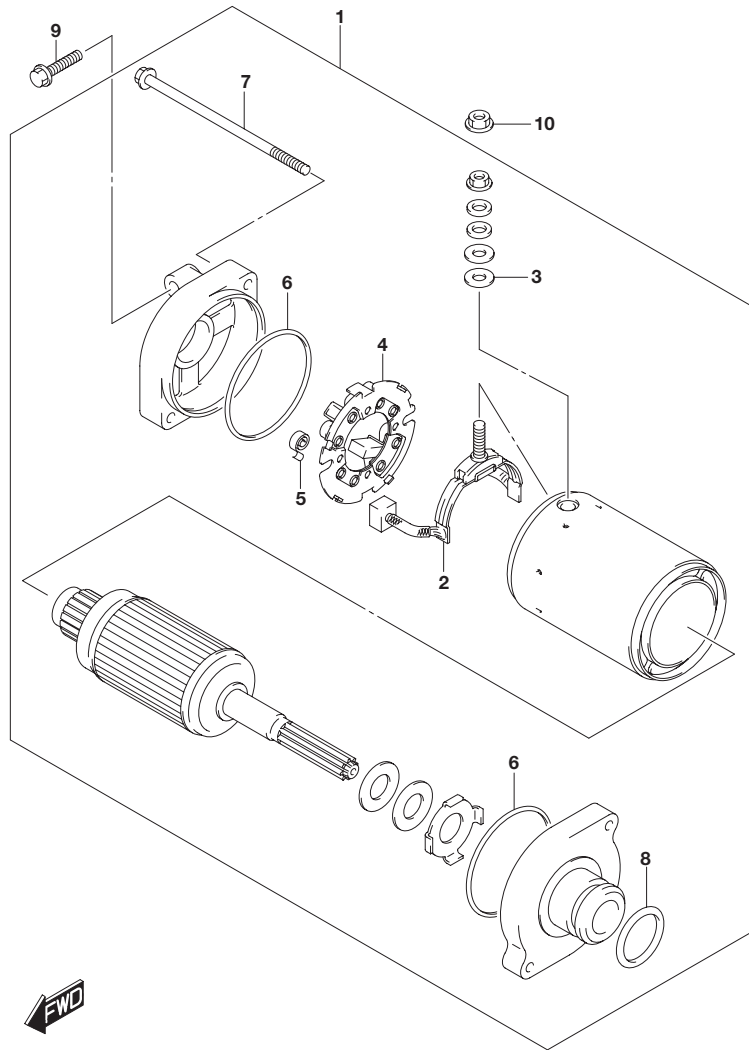


**FIG.220A (1-D-8) PROPELLER SHAFT/FINAL DRIVE GEAR**

REF NO.	PART NO.	DESCRIPTION	Q'TY	REMARKS
31	09262-85001	·BEARING ( 85X130X14 )	1	
32	09263-40016	·BEARING ( 40X50X20 )	1	
33	09283-38026	·OIL SEAL ( 38X46X6 )	1	
34	09289-85001	·OIL SEAL ( 85X110X11 )	1	
35	27450-48G70-13L	·CASE ,FINAL GEAR ( SILVER )	1	
36	27461-38B00	·CASE ,FINAL GEAR BEARING	1	
37	09168-14002	·GASKET ( 13.8X18.8X4.8 )	1	
38	09247-14002	·PLUG ( MAGNET )	1	
39	09259-30007	·PLUG ( 30X9 )	1	
40	09280-26006	·O RING ( D:3.1 ,D:26.4 )	1	
41	01550-0825A	·BOLT	8	
42	01550-1025A	·BOLT	2	
43	09248-16012	·PLUG ( 16X8 )	1	



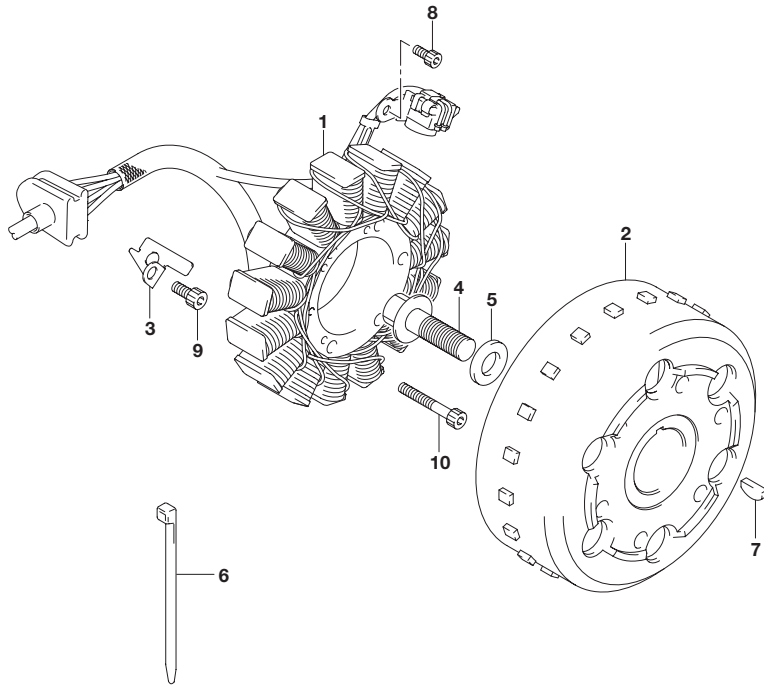
**FIG.301A**



**FIG.301A (1-D-9) STARTING MOTOR**

REF NO.	PART NO.	DESCRIPTION	Q'TY	REMARKS
1	31100-48G00	MOTOR ASSY , STARTING	1	
2	31130-38B00	·TERMINAL SET , BRUSH	1	
3	31143-49040	·O RING	1	
4	31132-38B00	·HOLDER SET , BRUSH	1	
5	31135-38B00	·SPRING , BRUSH	4	
6	31264-31300	·O RING	2	
7	31281-24B10	·BOLT	2	
8	09280-24003	·O RING ( D:3 ,D:24.5 )	1	
9	09103-06212	BOLT ( 6X25 )	2	
10	08361-3506A	NUT	1	

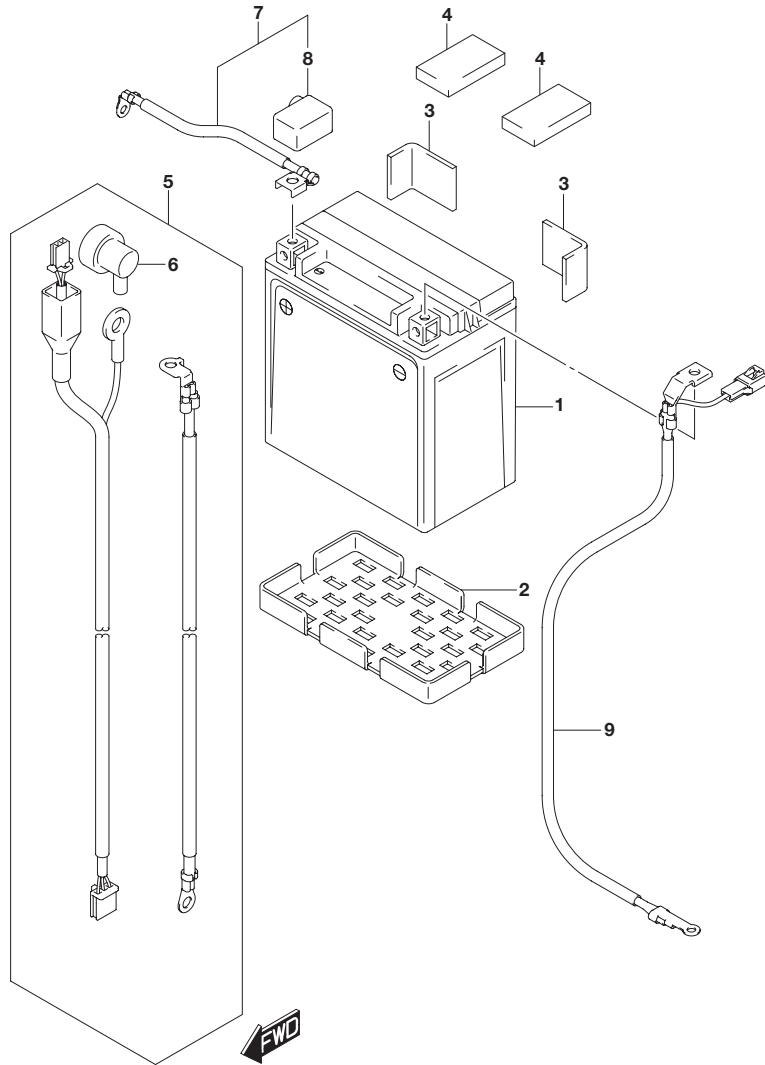
**FIG.303A**



**FIG.303A (1-D-10) MAGNETO**

REF NO.	PART NO.	DESCRIPTION	Q'TY	REMARKS
1	32101-48G20	STATOR ASSY	1	
2	32102-48G20	ROTOR ASSY	1	
3	32371-33E00	CLAMP , MAGNETO LEAD	1	
4	09103-14001	BOLT( 14X43)	1	
5	09160-14021	WASHER( 14X29X4)	1	
6	09407-14407	CLAMP( L:145)	1	
7	09420-05007	KEY	1	
8	07130-0510A	BOLT	2	
9	07130-0612A	BOLT	1	
10	09106-06122	BOLT(6X30)	3	

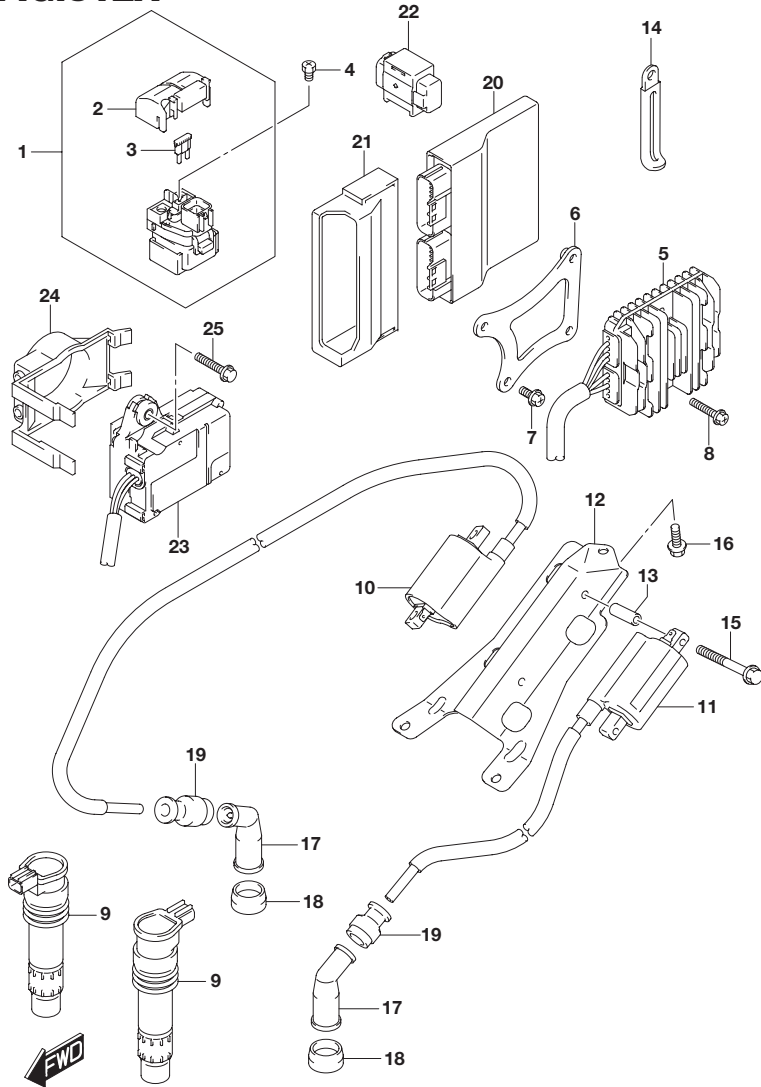
**FIG.310A**



**FIG.310A (1-D-11) BATTERY**

REF NO.	PART NO.	DESCRIPTION	Q'TY	REMARKS
1	33610-31G01	BATTERY ASSY ( FTZ16 - BS ,12V18AH )	1	
2	33652-16G00	PROTECTOR ,BATTERY	1	
3	33652-36000	PROTECTOR( 30X50X3.0 )	3	
4	33652-08420	PROTECTOR( 70X100X6 )	2	CUT AS REQUIRED
5	33810-48G00	WIRE ,STARTER MOTOR LEAD	1	
6	36618-43410	-CAP , OIL PRESSURE SWITCH	1	
7	33820-48G00	WIRE ,BATTERY PLUS LEAD	1	
8	33624-10D00	-CAP , BATTERY PLUS	1	
9	33860-48G10	WIRE ,BATTERY MINUS LEAD	1	

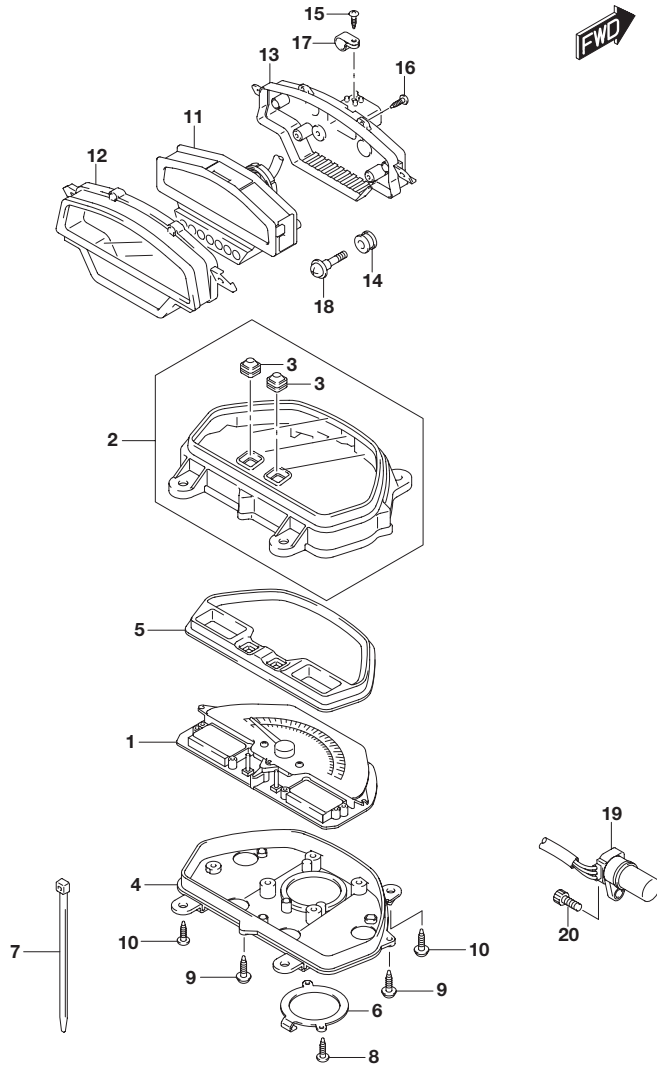
**FIG.312A**



**FIG.312A (1-D-12) ELECTRICAL**

REF NO.	PART NO.	DESCRIPTION	Q'TY	REMARKS
1	31800-38G10	RELAY ASSY ,STARTING MOTOR	1	
2	31861-38G00	·COVER	1	
3	09481-30501	·FUSE (30A )	2	
4	09128-06013	SCREW( 6X8 )	2	
5	32800-10G30	RECTIFIER ASSY	1	
6	32830-48G00	BRACKET ,RECT FTG	1	
7	02162-0620C	BOLT	2	
8	02162-0616A	BOLT	2	
9	33410-35F10	COIL ASSY ,IGNITION	2	
10	33410-38A20	COIL ASSY ,IGNITION FRONT	1	
11	33410-48G00	COIL ASSY ,IGNITION REAR	1	
12	33414-48G00	BRACKET ,IGNITION COIL	1	
13	09180-06195	SPACER ( 6.4X10X18 )	4	
14	09404-06433	CLAMP ( L:80 )	1	FOR RECTIFIER
15	01547-0535A	BOLT	4	
16	01550-0616A	BOLT	3	
17	33510-20E00	CAP ASSY ,SPARK PLUG	2	
18	33541-47D00	SEAL ,SPARK PLUG	2	
19	33542-38B00	SEAL ,HIGH TENSION CORD	2	
20	32920-48GK0	CONTROL UNIT ,FI	1	
21	32980-48G00	HOLDER ,FI CONTROL UNIT	1	
22	33960-06G10	SENSOR ASSY ,FUEL CUT	1	
23	33970-48G00	ACTUATOR ASSY ,EXHAUST CONTROL	1	
24	33973-48G01	COVER ,ACTUATOR	1	
25	01560-0625A	BOLT	2	

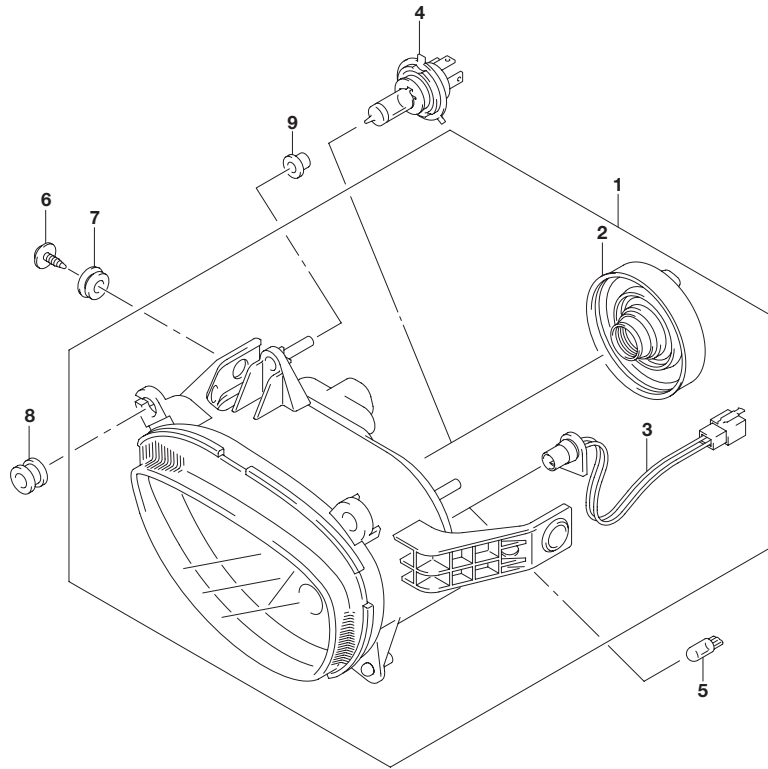
**FIG.330A**



**FIG.330A (1-D-13) SPEEDOMETER**

REF NO.	PART NO.	DESCRIPTION	Q'TY	REMARKS
1	34120-48GA0	SPEEDOMETER	1	
2	34150-48G00	UPPER CASE ASSY	1	
3	34124-32F00	·RUBBER , SWITCH	2	
4	34111-48G40	LOWER CASE	1	
5	34125-48G00	REFLECTOR ASSY	1	
6	34950-48G00	BRACKET	1	
7	34192-48G00	CLAMP	1	
8	34183-09F00	SCREW (3X12)	9	
9	34149-03G00	SCREW (3X14)	3	
10	03541-0516A	SCREW	4	
11	34220-48G30	TACHOMETER ASSY	1	
12	34250-48G30	CASE ASSY , UPPER	1	
13	34211-48G30	CASE ASSY , LOWER	1	
14	34955-13E00	CUSHION	2	
15	34149-17E10	SCREW (4X14)	1	
16	09132-03008	SCREW (3X16)	11	
17	36385-24A30	CLAMP	1	
18	03541-0516A	SCREW	2	
19	34990-48G00	SENSOR , SPEED	1	
20	07130-0616A	BOLT	1	

**FIG.333A**

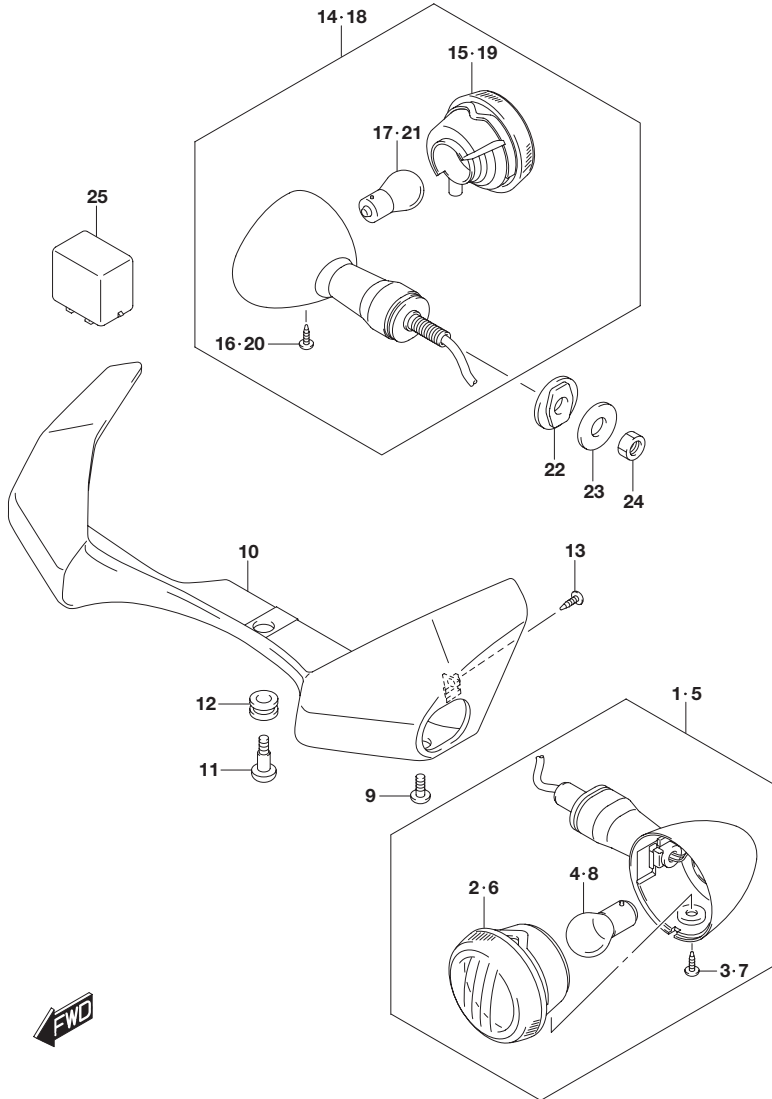


**FIG.333A (1-D-14) HEADLAMP**

REF NO.	PART NO.	DESCRIPTION	Q'TY	REMARKS
1	35100-48G03-999	HEADLAMP ASSY	1	
2	35173-14G00	-COVER	1	
3	36118-48G00	-CORD	1	
4	09471-12060	BULB( 12V ,60/55W )	1	
5	09471-12216	BULB( 12V5W )	1	
6	09136-05062	SCREW( 5X15 )	4	
7	09320-09506	CUSHION	2	
8	09320-09039	CUSHION	2	
9	09320-09505	CUSHION	3	



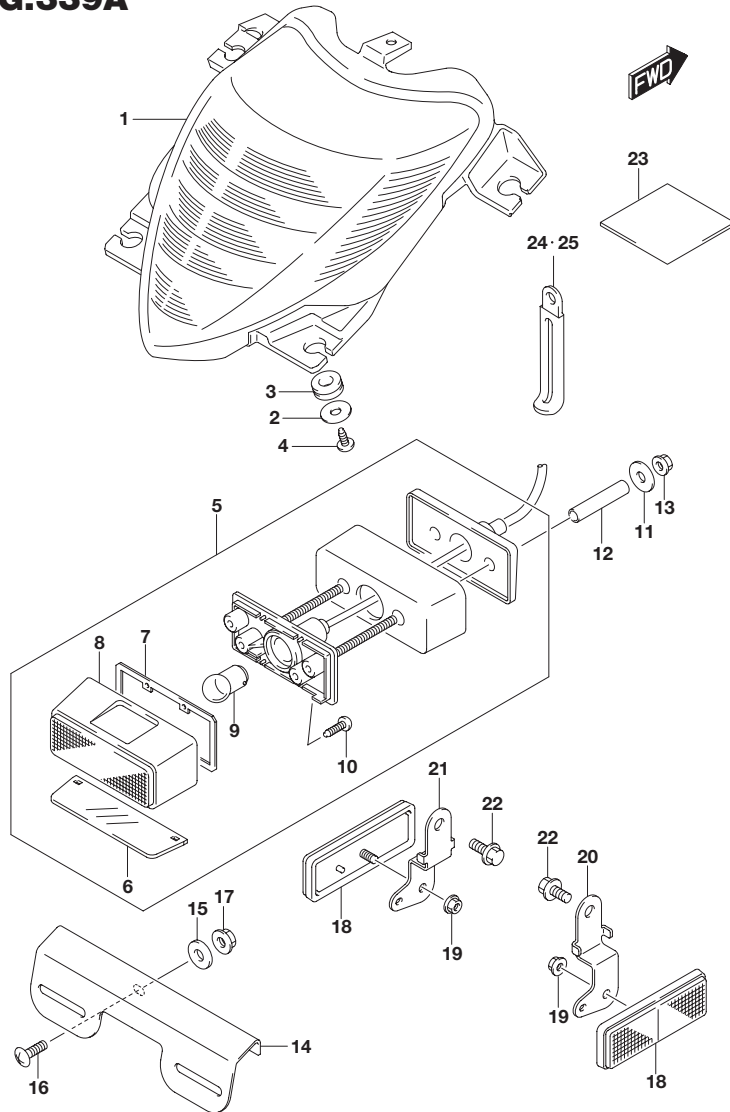
**FIG.334A**



**FIG.334A (1-D-15) TURNSIGNAL LAMP**

REF NO.	PART NO.	DESCRIPTION	Q'TY	REMARKS
1	35601-38AE0	LAMP ASSY ,FRONT TURNSIGNAL RH	1	
2	35610-38AE1	·LENS	1	FOR AMBER
3	35623-38AA0	·SCREW ( 4X10 )	1	
4	09471-12045	·BULB ( 12V ,21W )	1	FOR CLEAR
5	35602-38AE0	LAMP ASSY ,FRONT TURNSIGNAL LH	1	
6	35630-38AE1	·LENS	1	FOR AMBER
7	35623-38AA0	·SCREW ( 4X10 )	1	
8	09471-12045	·BULB ( 12V ,21W )	1	FOR CLEAR
9	02142-0612A	SCREW	2	
10	35641-48G00	COVER , FRONT TURNSIGNAL	1	
11	09139-06146	SCREW ( 6X16 )	1	
12	09320-09016	CUSHION	1	
13	03541-0510A	SCREW	2	
14	35603-48EC0	LAMP ASSY ,REAR TURNSIGNAL RH	1	
15	35630-38AE1	·LENS	1	FOR AMBER
16	35623-38AA0	·SCREW ( 4X10 )	1	
17	09471-12045	·BULB ( 12V ,21W )	1	FOR CLEAR
18	35604-38AE0	LAMP ASSY ,REAR TURNSIGNAL LH	1	
19	35610-38AE1	·LENS	1	FOR AMBER
20	35623-38AA0	·SCREW ( 4X10 )	1	
21	09471-12045	·BULB ( 12V ,21W )	1	FOR CLEAR
22	35695-17C00	SPACER , REAR TURNSIGNAL LAMP	2	
23	09160-10501	WASHER ( 10.5X30X2.3 )	2	
24	08310-0010A	NUT	2	
25	38610-03F00	RELAY ASSY , TURNSIGNAL LAMP	1	

**FIG.339A**

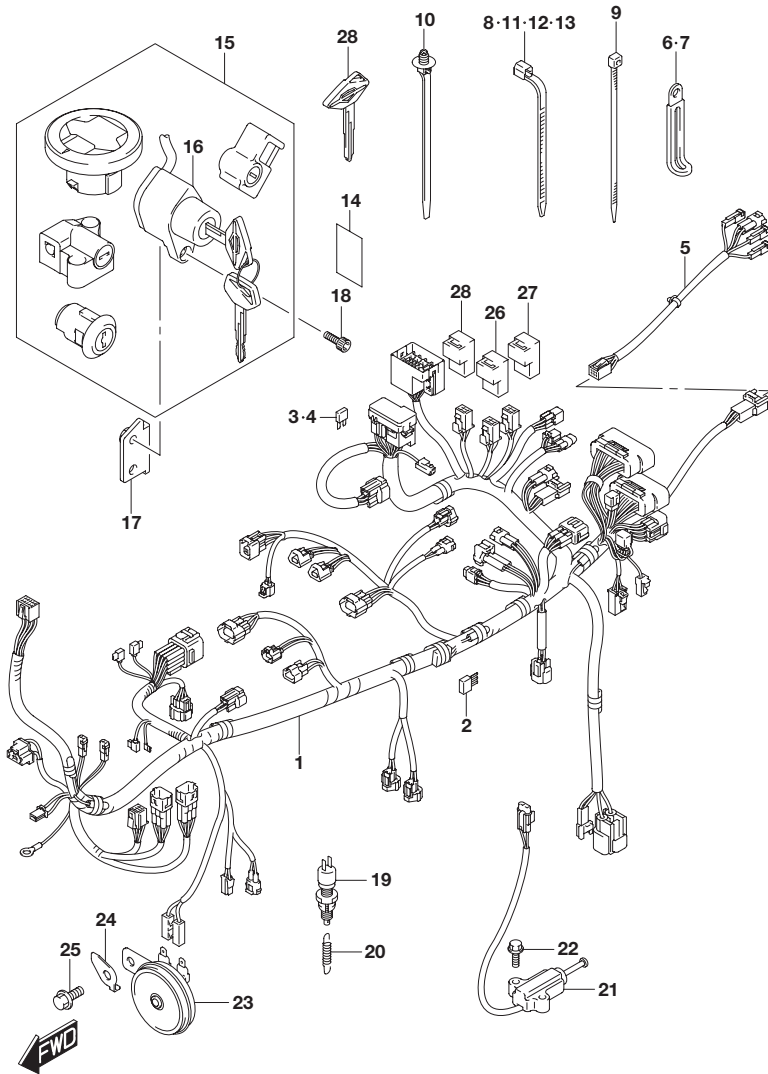


**FIG.339A (1-E-2) REAR COMBINATION LAMP**

REF NO.	PART NO.	DESCRIPTION	Q'TY	REMARKS
1	35710-48G41	LAMP ASSY ,REAR COMBINATION	1	
2	09160-05501	WASHER (5.5X20X1.2)	4	
3	09320-10054	CUSHION	4	
4	03541-0512A	SCREW	4	
5	35910-41G31	LAMP ASSY ,LICENSE	1	
6	35912-41G01	·LENS ,LICENSE	1	
7	35913-41G00	·GASKET	1	
8	35917-41G00	·COVER ,LICENSE LAMP	1	
9	09471-12140	·BULB( 12V ,5W )	1	
10	03211-0416A	·SCREW	2	
11	09160-06077	WASHER ( 6.5X20X1.2 )	2	
12	09180-06278	SPACER ( 6.5X9X33.3 )	2	
13	08316-1006A	NUT	2	
14	35927-48G00	BRACKET ,LICENSE PLATE	1	
15	09160-06077	WASHER ( 6.5X20X1.2 )	2	
16	02142-0616A	SCREW	2	
17	08316-1006A	NUT	2	
18	35970-07F01	REFLECTOR ASSY ,REAR	2	
19	08316-1005A	NUT	2	
20	35975-48G00	BRACKET ,REAR SIDE RR ,RH	1	
21	35976-48G00	BRACKET ,REAR SIDE RR ,LH	1	
22	02162-0612A	SCREW	2	
23	92213-33G00	CUSHION ,HELMET BOX	1	
24	09404-06429	CLAMP ( L:45 )	1	
25	09404-10415	CLAMP ( L:45 )	1	



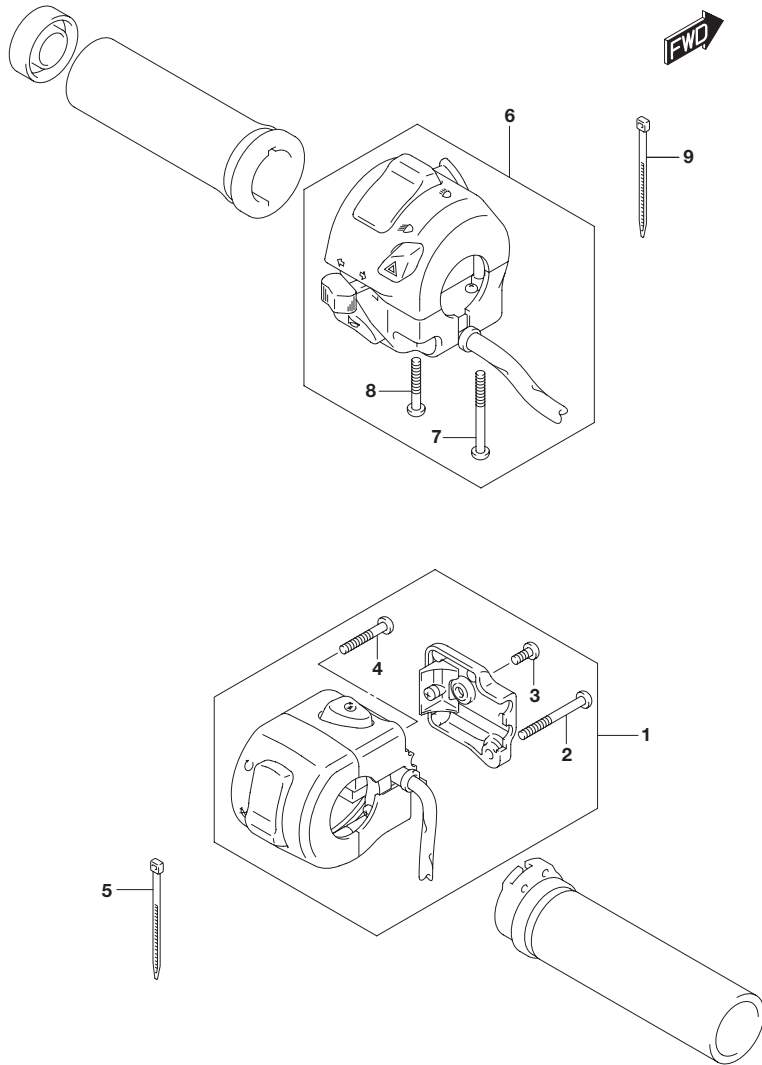
**FIG.350A**



**FIG.350A (1-E-3) WIRING HARNESS**

REF NO.	PART NO.	DESCRIPTION	Q'TY	REMARKS
1	36610-48GD0	HARNESS ,WIRING	1	
2	36611-38A00	·DIODE	1	
3	09481-10501	·FUSE ( 10A )	3	
4	09481-15501	·FUSE ( 15A )	3	
5	36858-48G00	WIRE ,REAR COMB	1	
6	09404-06429	CLAMP ( L:45 )	2	
7	09404-06429	CLAMP ( L:45 )	2	
8	09407-14403	CLAMP ( L:125 )	3	
9	09407-14407	CLAMP ( L:145 )	4	
10	09407-17403	CLAMP ( L:154 )	1	
11	09407-18402	CLAMP ( L:165 )	2	
12	09407-19401	CLAMP ( L:190 )	1	
13	09407-25401	CLAMP ( L:235 )	1	
14	36611-16G00	TAPE ,WIRING HARNESS	1	
15	37000-48890	LOCK SET	1	
16	37110-48G50	·SWITCH ASSY ,IGNITION	1	
17	37119-48G00	BRACKET ,IGNITION SWITCH	1	
18	07130-0616A	BOLT	2	
19	37740-24A00	SWITCH ASSY ,STOP LAMP	1	
20	09443-06077	SPRING	1	
21	37840-25D00	SWITCH ASSY ,SIDE STAND	1	
22	01550-0625A	SCREW	2	
23	38500-48G01	HORN ASSY	1	
24	01550-0812A	BOLT	1	
25	38740-24X50	RELAY ASSY	1	FOR FUEL PUMP
26	38740-24X50	RELAY ASSY	1	FOR FAN MOTOR
27	38740-24A00	RELAY ASSY	1	FOR HEADLAMP
28	37146-10F00	KEY ,BLANK	1	OPT

**FIG.355A**



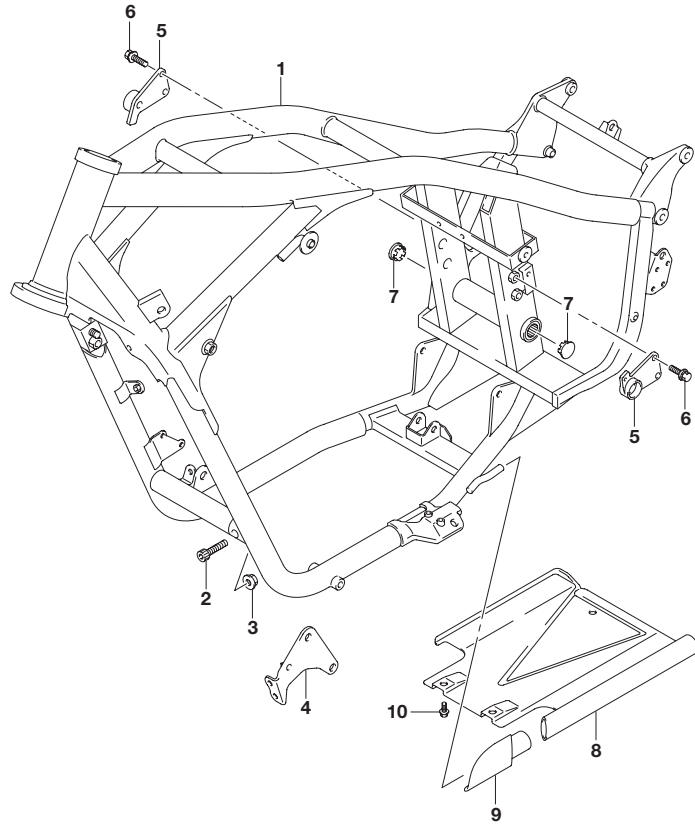
**FIG.355A (1-E-4) HANDLE SWITCH**

REF NO.	PART NO.	DESCRIPTION	Q'TY	REMARKS
1	37200-48GA1	SWITCH ASSY ,HANDLE ,RH	1	
2	02112-0545B	·SCREW	1	
3	02112-0510B	·SCREW	1	
4	02112-0535B	·SCREW	1	
5	09407-14407	CLAMP (L:145)	2	
6	37400-48G10	SWITCH ASSY ,HANDLE ,LH	1	
7	02112-0545B	·SCREW	1	
8	02112-0530A	·SCREW	1	
9	09407-14407	CLAMP (L:145)	3	

**FIG.401A**

**FIG.401A (1-E-5) FRAME**

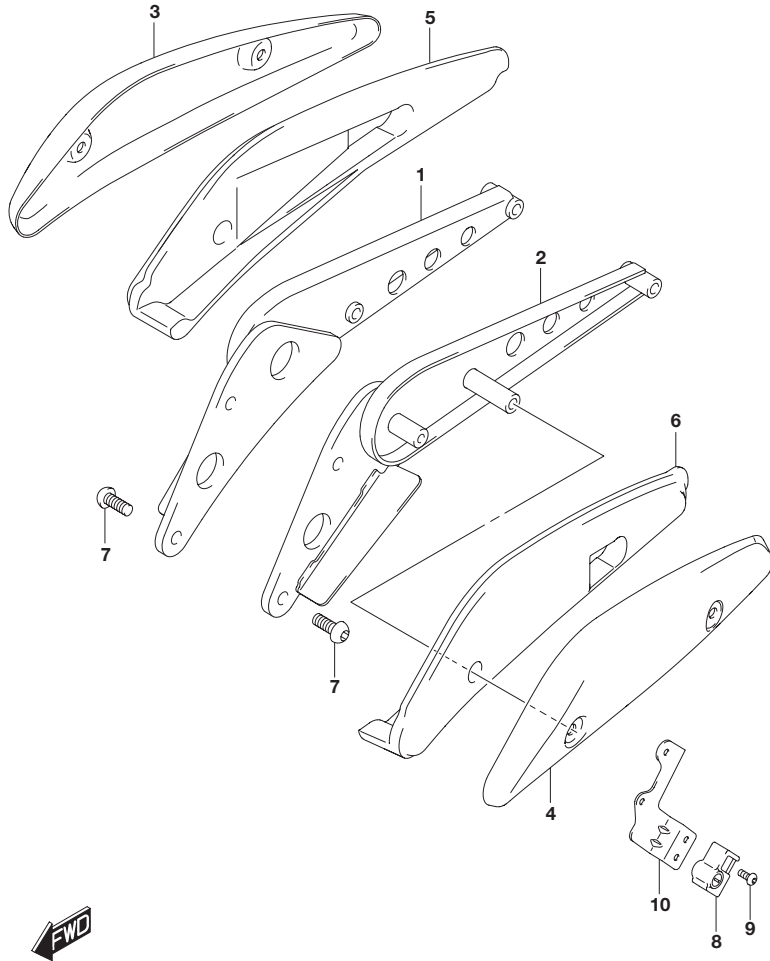
REF NO.	PART NO.	DESCRIPTION	Q'TY	REMARKS
1	41100-48G40-019	FRAME( BLACK)	1	
2	07130-1035B	BOLT	6	
3	08319-3110A	NUT	4	
4	41920-48G10	PLATE , MOUONT FRONT LH	1	
5	41931-48G20	PLATE , MOUNT REAR	2	
6	01580-0830A	BOLT	4	
7	43585-48G10	CAP , ENG MTG BOLT	2	
8	42560-48G00	COVER , UNDER	1	
9	42567-48G00	RUBBER , UNDER COVER	1	
10	01550-0612A	BOLT	4	



**4**



**FIG.402A**



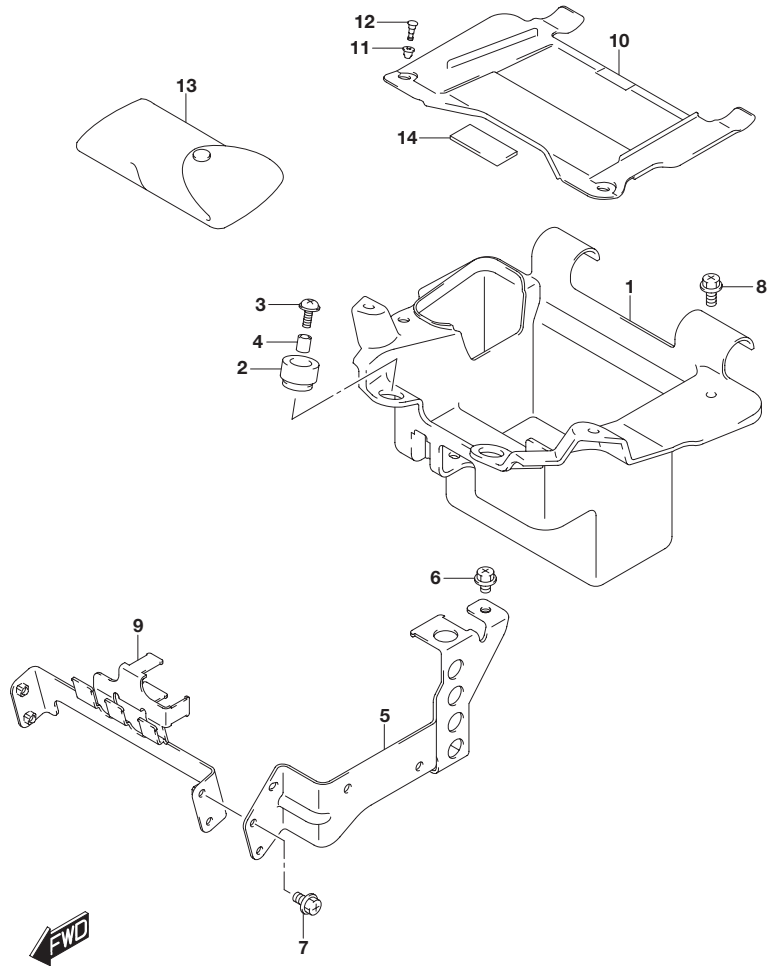
**FIG.402A (1-E-6) FRAME HANDLE GRIP**

REF NO.	PART NO.	DESCRIPTION	Q'TY	REMARKS
1	41610-48G10	GRIP ,FRAME HANDLE RH	1	
2	41620-48G10	GRIP ,FRAME HANDLE LH	1	
3	41616-48G10	PLATE ,RH	1	
4	41626-48G10	PLATE ,LH	1	
5	41615-48G10	RUBBER ,RH	1	
6	41625-48G10	RUBBER ,LH	1	
7	09139-10003	BOLT ( 10X25)	4	
8	95700-41821	LOCK SET ,HELMET	1	
9	09139-06089	SCREW (6X14)	2	
10	95710-48G00	BRACKET ,HELMET LOCK	1	

**FIG.405A**

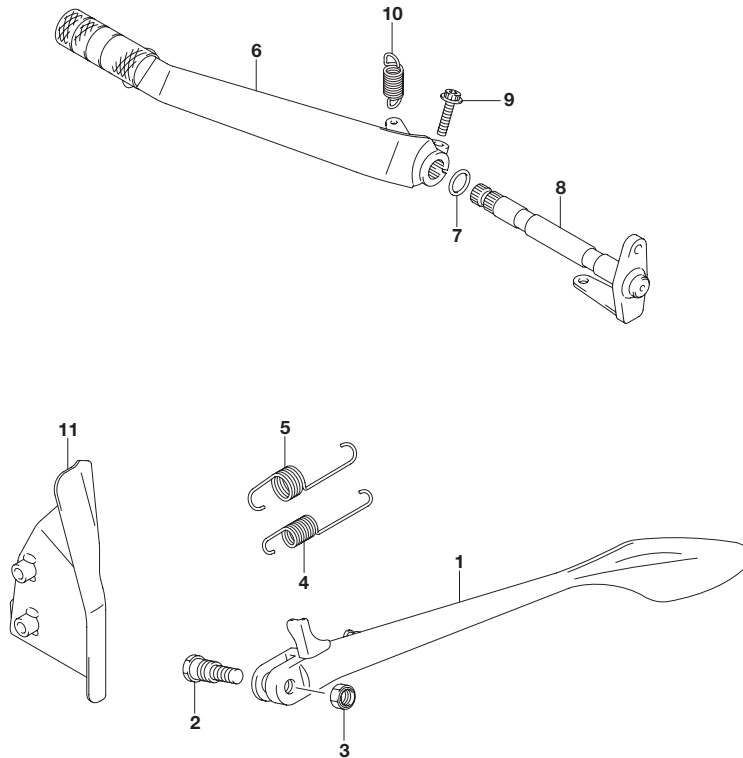
**FIG.405A (1-E-7) BATTERY HOLDER**

REF NO.	PART NO.	DESCRIPTION	Q'TY	REMARKS
1	41541-48G00	HOLDER , BATTERY	1	
2	47115-16G00	CUSHION , SEAT TAIL COVER CTR	2	
3	09136-06105	SCREW(6X20)	2	
4	09180-06289	SPACER( 6.5X10X11.5 )	2	
5	41550-48G00	BRACKET , ELECTRIC PARTS	1	
6	02162-0608A	BOLT	1	
7	02162-0610A	BOLT	1	
8	02162-0616A	BOLT	1	
9	41560-48G00	BRACKET , RELAY	1	
10	47432-48G00	LID , BATTERY HOLDER	1	
11	09409-08329	GROMMET	2	
12	09409-08330	PLUNGER	2	
13	09800-21055	TOOL ASSY	1	
14	63115-35G10	CUSHION , SEAL RAIL	1	



**4**

**FIG.407A**

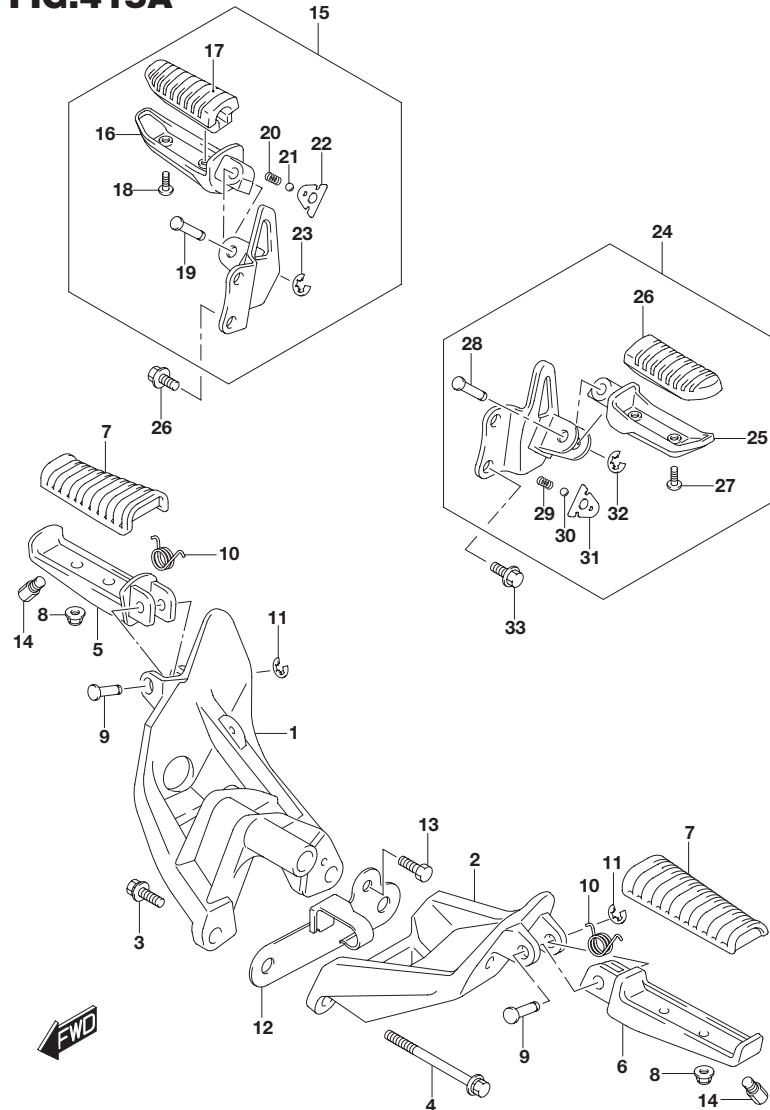


**FIG.407A (1-E-8) STAND**

REF NO.	PART NO.	DESCRIPTION	Q'TY	REMARKS
1	42310-48G00	STAND ,PROP	1	
2	09111-10058	BOLT( 10X37.5)	1	
3	42321-03FK0	NUT	1	
4	09443-14069	SPRING	1	
5	09443-19012	SPRING	1	
6	43110-48G11	PEDAL ,BRAKE	1	
7	09280-14011	O RING( D:2.5 ,ID:13.8)	2	
8	43120-48G10	ARM ,BRAKE ROD	1	
9	07120-0625A	BOLT	1	
10	09443-11030	SPRING	1	
11	43570-48G00	GUARD ,REAR MASTER CYLINDER	1	



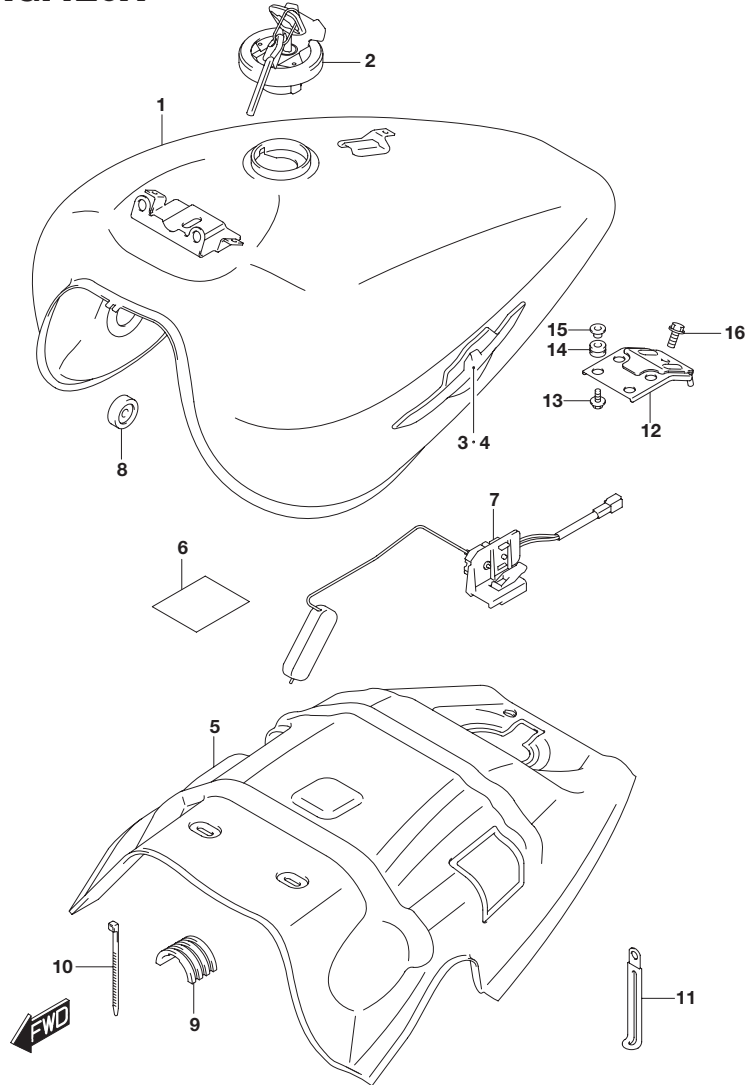
**FIG.415A**



**FIG.415A (1-E-9) FOOTREST**

REF NO.	PART NO.	DESCRIPTION	Q'TY	REMARKS
1	43511-48G10	BRACKET , FRONT FOOTREST RH	1	
2	43521-48G01	BRACKET , FRONT FOOTREST LH	1	
3	09103-10268	BOLT( 10X28 )	2	
4	09103-10337	BOLT( 10X85 )	2	LH
5	43531-48G00	BAR , FRONT FOOTREST RH	1	
6	43541-48G00	BAR , FRONT FOOTREST LH	1	
7	43550-48G00	RUBBER , FR FOOTREST	2	
8	08319-2106A	NUT	4	
9	09208-08019	PIN	2	
10	09448-14047	SPRING	2	
11	08332-1106A	E RING	2	
12	43560-48G00	PLATE , FOOTREST BRACKET	1	
13	01500-0612A	BOLT	1	
14	43576-07D01	BOLT , BANK SENSOR	2	
15	43600-48G00	FOOTREST ASSY , PILLION RH	1	
16	43611-44G00	·BAR , PILLION FOOTREST RH	1	
17	43550-44G00	·RUBBER , FOOTREST	1	
18	02142-05127	·SCREW	2	
19	09208-08017	·PIN	1	
20	09440-05005	·SPRING	1	
21	06111-07004	·BALL	1	
22	43816-44G00	·PLATE , PILLION	1	
23	08332-1106A	·E RING	1	
24	43700-48G00	FOOTREST , PILLION LH	1	
25	43621-44G00	·BAR , PILLION FOOTREST LH	1	
26	43550-44G00	·RUBBER , FOOTREST	1	
27	02142-05127	·SCREW	2	
28	09208-08017	·PIN	1	
29	09440-05005	·SPRING	1	
30	06111-07004	·BALL	1	
31	43816-44G00	·PLATE , PILLION	1	
32	08332-1106A	·E RING	1	
33	09103-08412	BOLT( 8X16 )	4	

**FIG.420A**



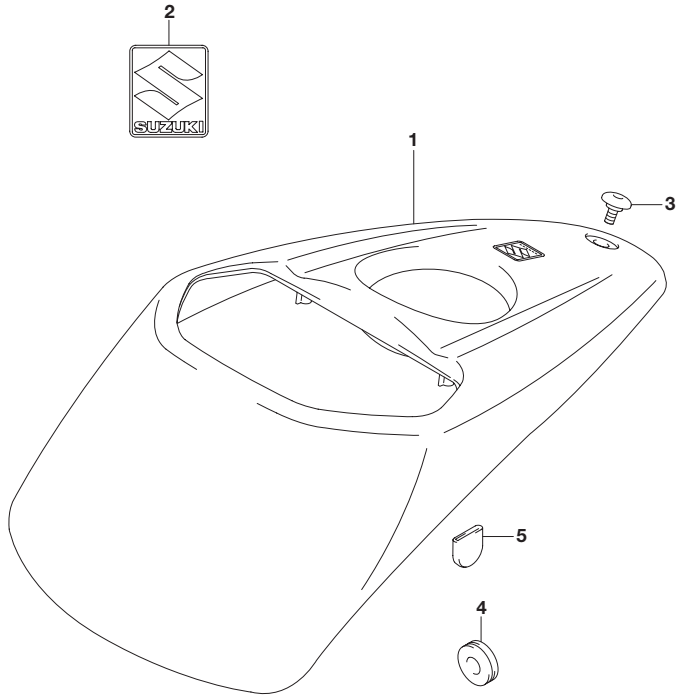
**FIG.420A (1-E-10) FUEL TANK**

REF NO.	PART NO.	DESCRIPTION	Q'TY	REMARKS
1	44100-48GD0-YVB	TANK ASSY , FUEL( BLACK)	1	
2	44200-39830	CAP SET , FUEL TANK	1	
3	68111-48G01	EMBLEM , FUEL TANK RH	1	
4	68121-48G01	EMBLEM , FUEL TANK LH	1	
5	44191-48G10	SHIELD , FUEL TANK HEAT	1	
6	44192-48G00	TAPE , HEAT SHIELD	2	
7	34810-48G00	GAUGE ASSY , FUEL LEVEL SENDER	1	
8	09329-10007	CUSHION	2	FRONT
9	44541-13E10	CUSHION , FUEL TANK	2	
10	09407-30402	CLAMP ( L:300 )	2	
11	09404-06434	CLAMP ( L:80 T:1.0 )	1	SHIELD
12	44530-48G10	BRACKET , FUEL TANK REAR	1	
13	09116-06192	BOLT ( 6X20 )	4	
14	09320-08001	CUSHION	4	
15	09169-06062	WASHER	4	
16	01550-0816A	BOLT	1	REAR

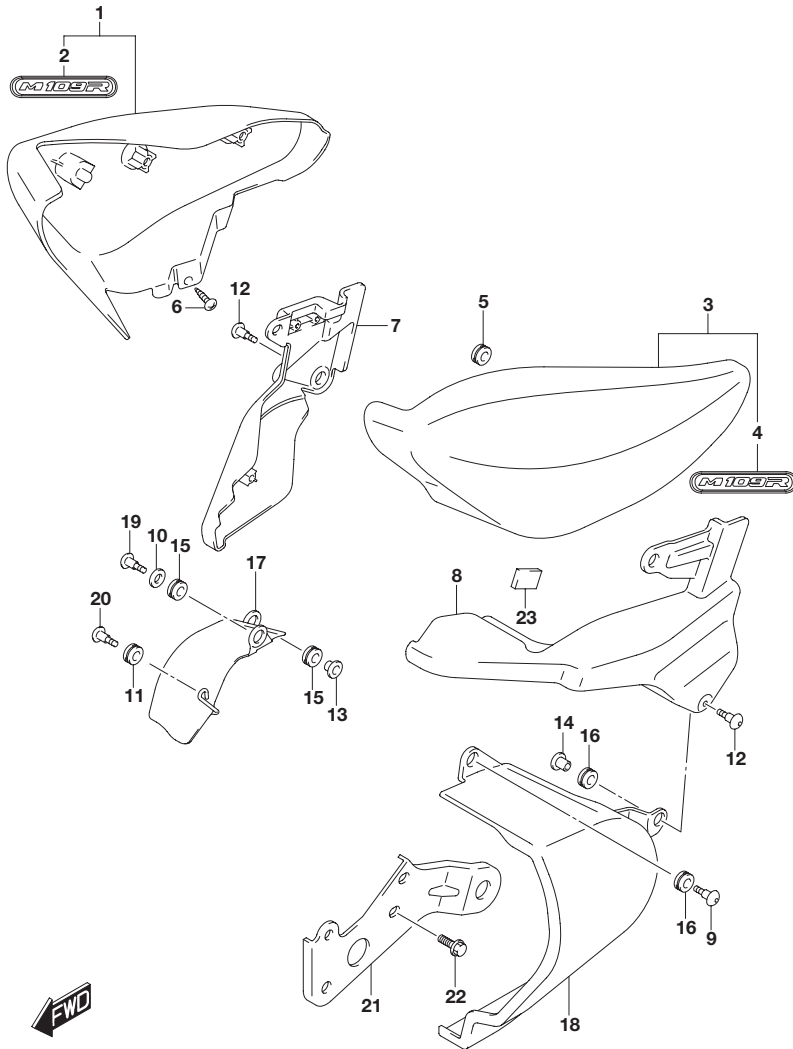


**FIG.422A****FIG.422A (1-E-11) FUEL TANK FRONT COVER**

REF NO.	PART NO.	DESCRIPTION	Q'TY	REMARKS
1	44290-48G00	COVER , FUEL TANK UPPER	1	
2	68281-47HA0	EMBLEM , "S"	1	
3	09139-06152	SCREW(6X12)	1	
4	09320-08013	CUSHION	2	
5	44294-48G00	CUSHION	2	

**4**

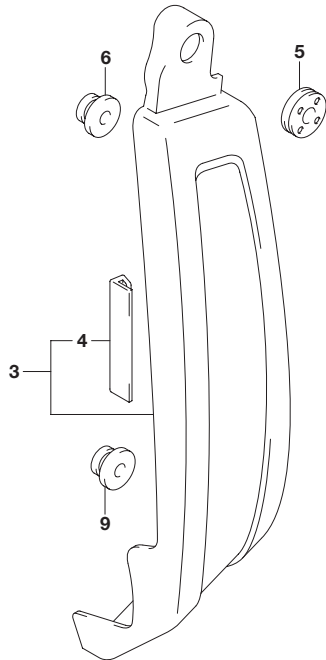
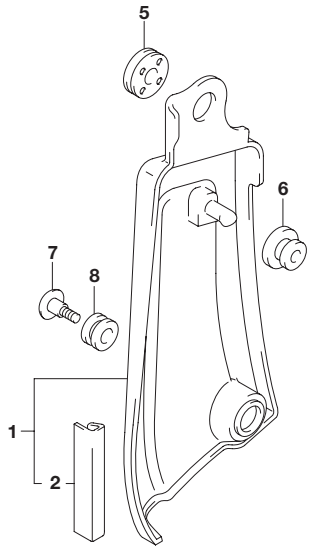
**FIG.433A**



**FIG.433A (1-E-12) SIDE COVER**

REF NO.	PART NO.	DESCRIPTION	Q'TY	REMARKS
1	47110-48G01-YVB	COVER , FRAME RH ( BLACK )	1	
2	68131-48G01	-EMBLEM "M109R"	1	
3	47210-48G01-YVB	COVER , FRAME LH( BLACK )	1	
4	68131-48G01	-EMBLEM "M109R"	1	
5	09320-08018	CUSHION	2	
6	03541-0516A	SCREW	3	
7	47121-48G00	COVER , SIDE LOWER RH	1	
8	47221-48G00	COVER , SIDE LOWER LH	1	
9	09139-06126	SCREW( 6X20 )	2	LH
10	09160-10123	WASHER ( 10.5X20X2.3 )	1	RH
11	09320-09501	CUSHION	1	RH
12	09139-06029	SCREW( 6X25 )	2	
13	09180-06319	SPACER ( 6.5X10X11.6 )	1	RH
14	09169-06075	WASHER	1	LH
15	09320-08021	CUSHION	2	RH
16	09320-08070	CUSHION	3	LH
17	47130-48G00	COVER , LOWER RH	1	
18	47231-48GB0	COVER , LOWER LH	1	
19	09139-06126	SCREW( 6X20 )	1	RH
20	09139-06126	SCREW( 6X20 )	1	RH
21	47250-48G00	BRACKET , LOWER COVER LH	1	
22	01550-0612A	BOLT	2	
23	47161-19C00	CUSHION , SIDE COVER LH	1	

**FIG.434A**



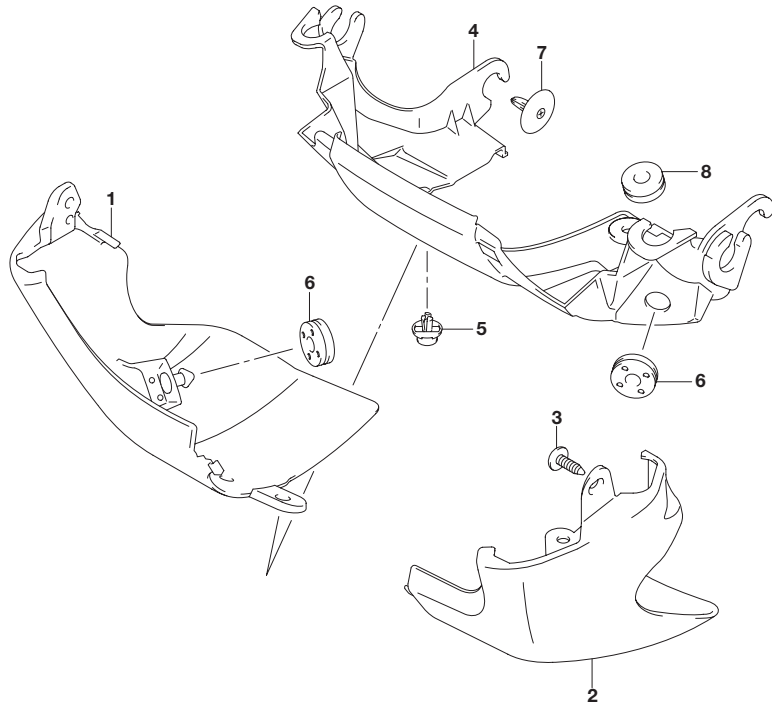
**FIG.434A (1-E-13) SIDE REAR COVER**

REF NO.	PART NO.	DESCRIPTION	Q'TY	REMARKS
1	47140-48G00-019	COVER ,SIDE REAR RH( BLACK )	1	
2	47142-48G00	-MOLDING	1	
3	47240-48G00-019	COVER ,SIDE REAR LH( BLACK )	1	
4	47142-48G00	-MOLDING	1	
5	09320-08028	CUSHION	2	
6	09320-07017	CUSHION	2	
7	09139-06126	SCREW ( 6X20 )	1	
8	09320-09501	CUSHION	1	RH
9	09320-08018	CUSHION	1	LH

**4**



**FIG.447A**



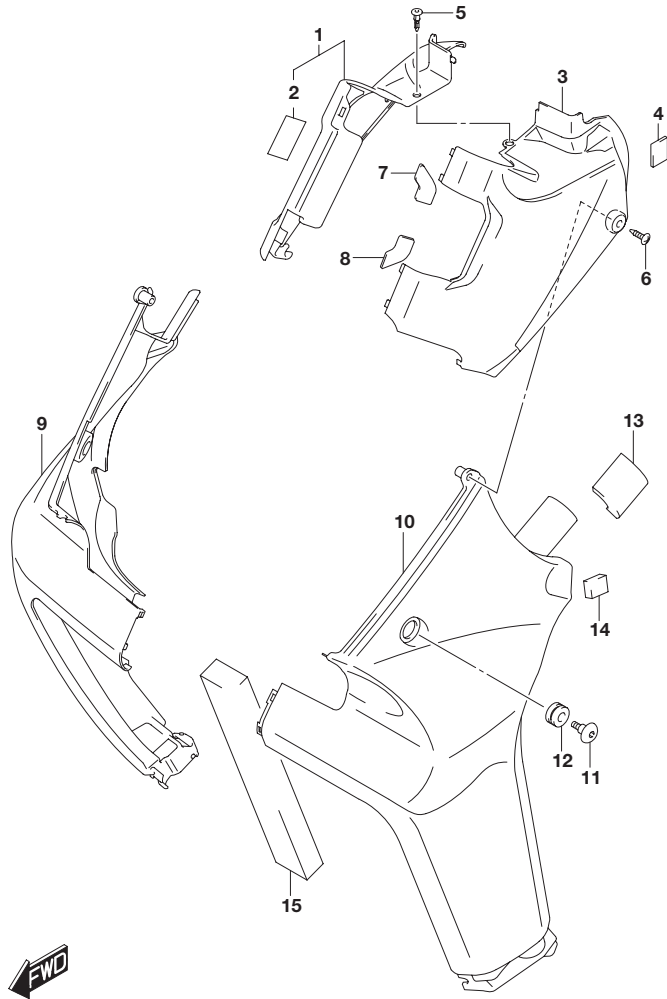
**FIG.447A (1-E-14) FRAME BODY COVER**

REF NO.	PART NO.	DESCRIPTION	Q'TY	REMARKS
1	47511-48G00	COVER ,FRAME BODY RH	1	
2	47521-48G00	COVER ,FRAME BODY LH	1	
3	03541-0516A	SCREW	2	
4	47531-48G00	COVER ,FRAME BODY LOWER	1	
5	94479-35F00	CLIP	2	
6	09320-08028	CUSHION	2	
7	09250-10015	PLUG ( OD:33 )	1	
8	09320-08047	CUSHION	2	

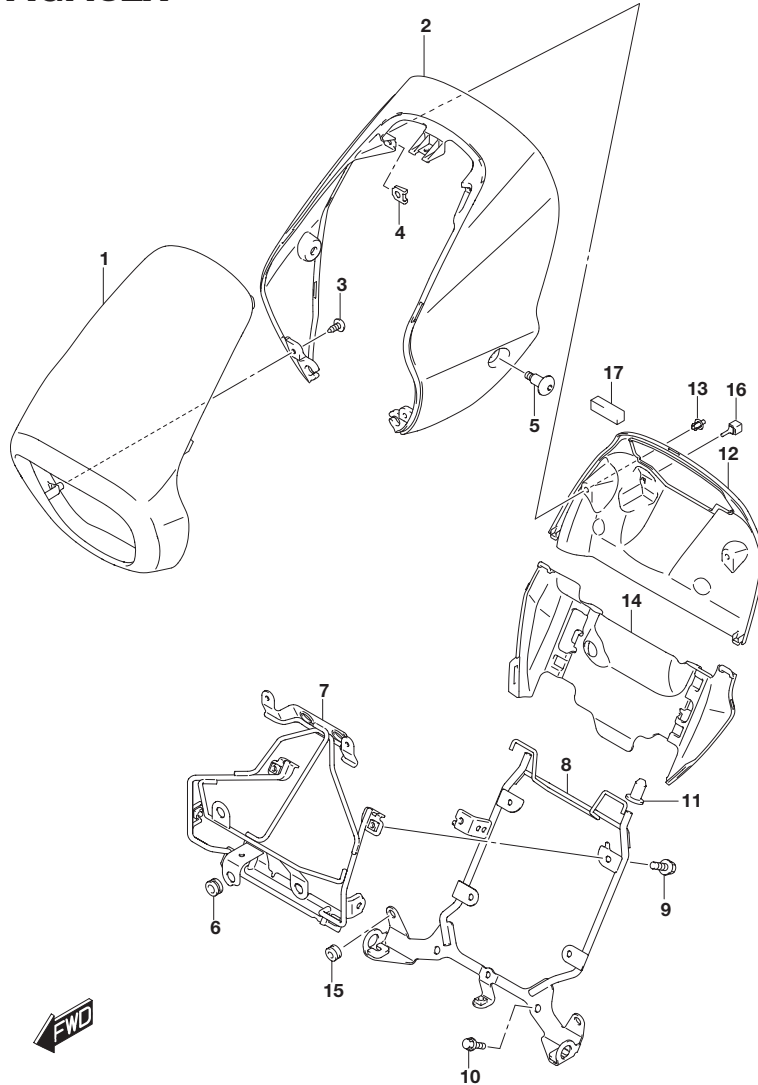
**FIG.449A**

**FIG.449A (1-E-15) FRAME HEAD COVER**

REF NO.	PART NO.	DESCRIPTION	Q'TY	REMARKS
1	47350-48G00-YVB	COVER , FRAME HEAD RH( BLACK )	1	
2	89445-61J00	·TAPE , FRAME HEAD COVER	1	
3	47361-48G00-YVB	COVER , FRAME HEAD LH( BLACK )	1	
4	17798-39G00	CUSHION	6	
5	09409-06328	CLIP	1	
6	03541-0516A	SCREW	2	
7	47352-48G00	TAPE , UPPER LH	1	
8	47353-48G01	TAPE , LOWER LH	1	
9	47551-48G00-YVB	COVER , FRAME BODY RH( BLACK )	1	
10	47561-48G00-YVB	COVER , FRAME BODY LH( BLACK )	1	
11	09139-06126	SCREW( 6X20 )	2	
12	09320-09016	CUSHION	2	
13	63191-25C00	CUSHION , UPPER	2	
14	17798-39G00	CUSHION , CENTER	2	
15	47552-48G00	CUSHION , LOWER RH	1	



**FIG.452A**



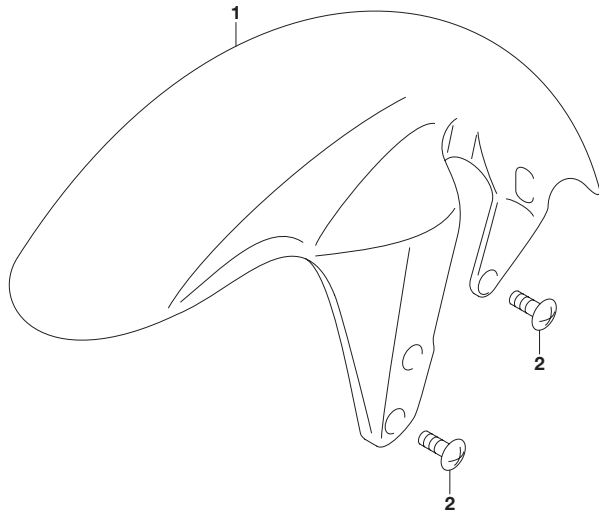
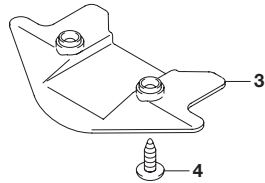
**FIG.452A (1-F-2) HEADLAMP COVER**

REF NO.	PART NO.	DESCRIPTION	Q'TY	REMARKS
1	51811-48GB0	COVER ,HEADLAMP	1	
2	51821-48GB0-YVB	COVER ,LOWER (BLACK)	1	
3	03541-0510A	SCREW	4	
4	09148-05045	NUT	2	
5	09139-06191	SCREW (6X22)	2	
6	09320-09039	CUSHION	2	
7	51860-48GB0	BRACE ,HOUSING	1	
8	51850-48GB1	BRACE ,COVER	1	
9	01550-0612A	BOLT	4	
10	01550-0816A	BOLT	2	
11	51831-21D00	CUSHION ,BRACE	2	
12	51831-48GB0	COVER ,UPPER	1	
13	09409-06314-5PK	CLIP (BLACK)	2	
14	51841-48GB0	COVER ,BRACKET	1	
15	09320-06016	CUSHION	2	
16	51832-48GB0	CUSHION ,COVER UPPER	1	
17	51833-48GB0	CUSHION	2	

**FIG.460A**

**FIG.460A (1-F-3) FRONT FENDER**

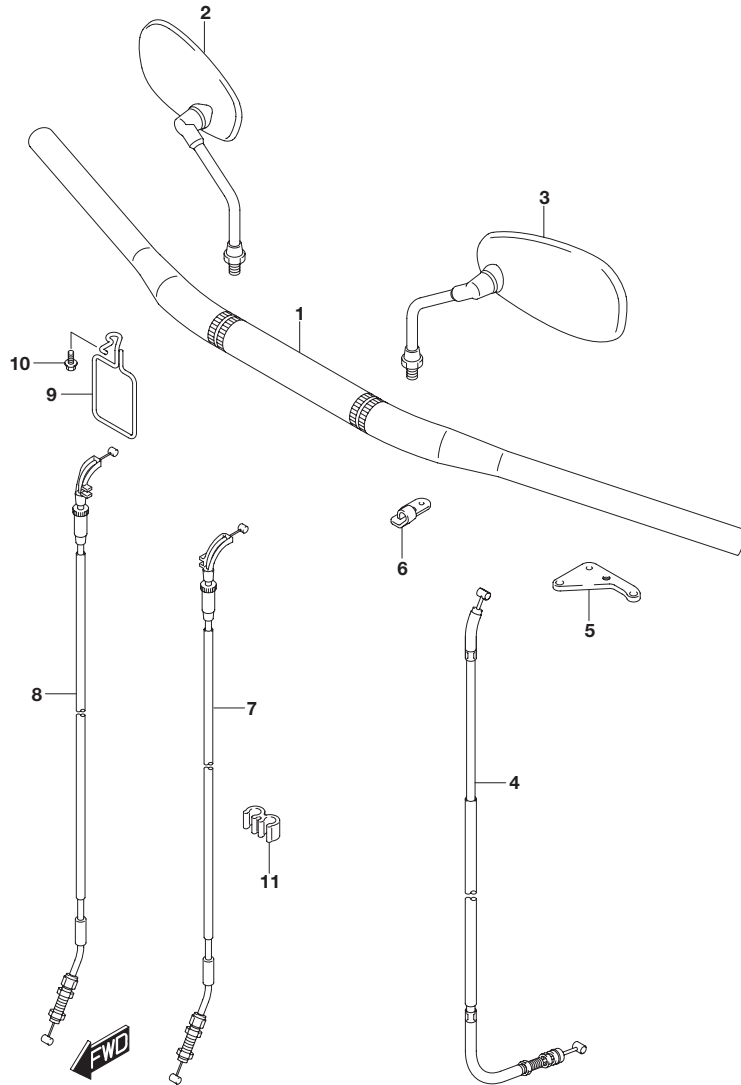
REF NO.	PART NO.	DESCRIPTION	Q'TY	REMARKS
1	53111-48G00-YVB	FENDER ,FRONT ( BLACK )	1	
2	09139-06131	SCREW(6X16)	6	
3	53181-48G00	FENDER ,UPPER	1	
4	09111-06094	BOLT(6X16.5)	2	



**4**



**FIG.462A**

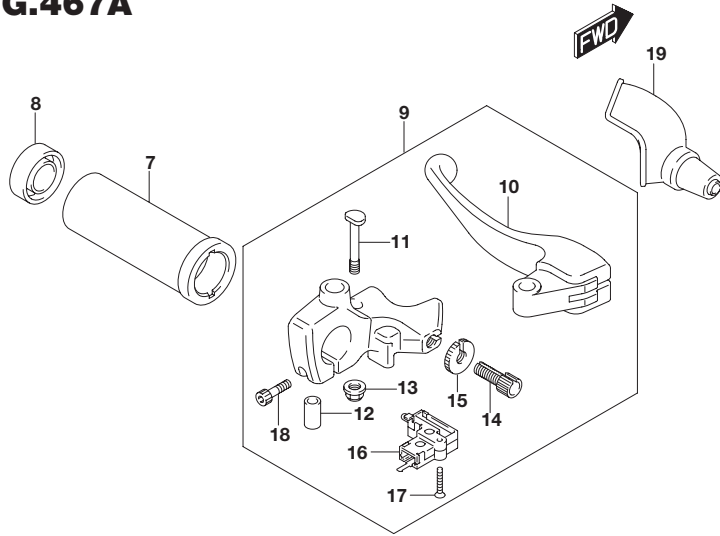


**FIG.462A (1-F-4) HANDLEBAR**

REF NO.	PART NO.	DESCRIPTION	Q'TY	REMARKS
1	56110-48G00	HANDLEBAR	1	
2	56500-14G20	MIRROR ASSY , REAR VIEW RH	1	
3	56600-14G20	MIRROR ASSY , REAR VIEW LH	1	
4	58200-48G11	CABLE ASSY , CLUTCH	1	
5	58634-48G00	STOPPER , CLUTCH CABLE NO.1	1	
6	58635-48G01	STOPPER , CLUTCH CABLE NO.2	1	
7	58300-48G40	CABLE ASSY , THROTTLE NO.1	1	
8	58300-48G50	CABLE ASSY , THROTTLE NO.2	1	
9	58620-48GC0	GUIDE , CABLE NO.2	1	
10	01550-0612A	BOLT	2	
11	09408-00244	CLIP	1	

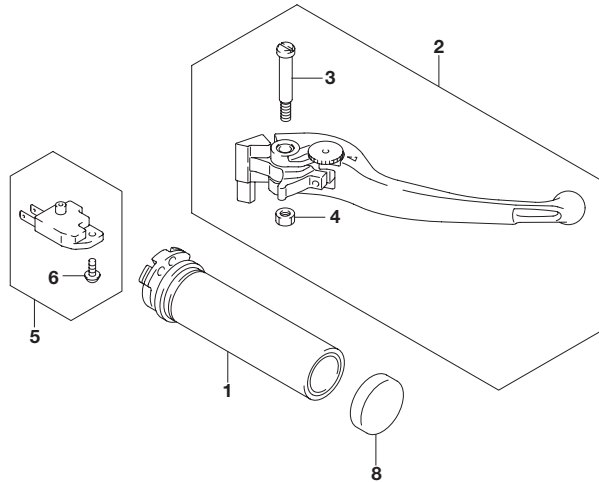


**FIG.467A**



**FIG.467A (1-F-5) HANDLE LEVER**

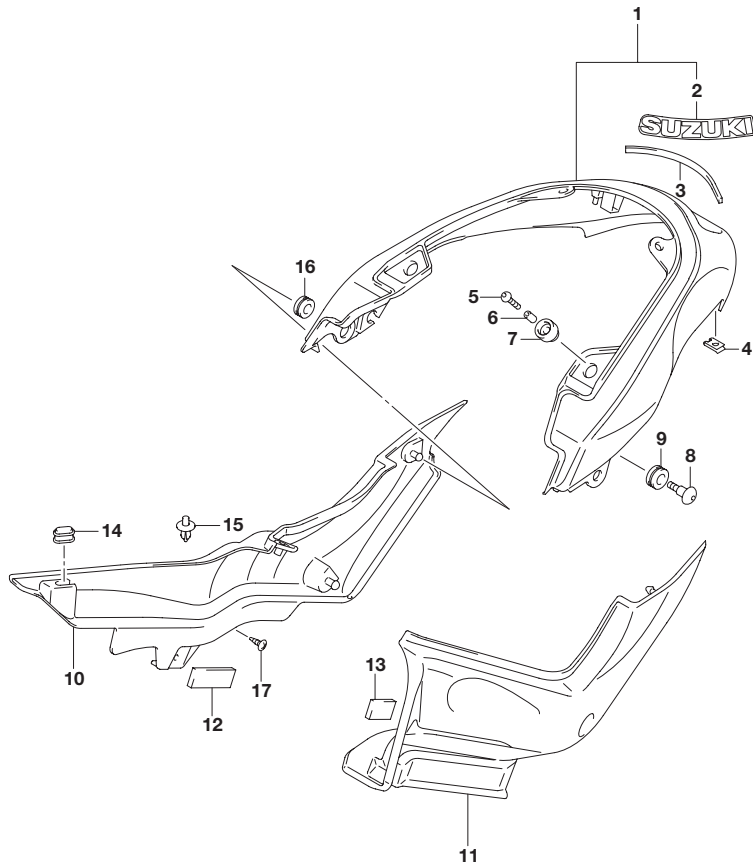
REF NO.	PART NO.	DESCRIPTION	Q'TY	REMARKS
1	57110-26D10	GRIP ,THROTTLE	1	
2	57300-48G10	LEVER ASSY ,BRAKE	1	
3	57431-48G00	·BOLT ,PIVOT	1	
4	08319-2106A	·NUT	1	
5	57460-14J01	SWITCH ASSY , FRONT BRAKE	1	
6	57465-17C00	·SCREW	1	
7	57210-26D00	GRIP , LH	1	
8	57216-38A00	CAP , GRIP END	2	
9	57500-48G11	LEVER ASSY , CLUTCH	1	
10	57621-48G11	·LEVER , CLUTCH	1	
11	57531-48G00	·BOLT , LEVER PIVOT	1	
12	57623-48G00	·COLLAR	1	
13	08319-3106B	·NUT	1	
14	57441-08C00	·ADJUSTER , WIRE	1	
15	57442-08C00	·NUT , LOCK	1	
16	57560-05A10	·SWITCH ASSY , CLUTCH	1	
17	57562-41G00	·SCREW	1	
18	07130-0620A	·BOLT	1	
19	57541-48G10	COVER , CLUTCH LEVER	1	



**4**

**FIG.474A**

**FIG.474A (1-F-6) REAR FENDER**

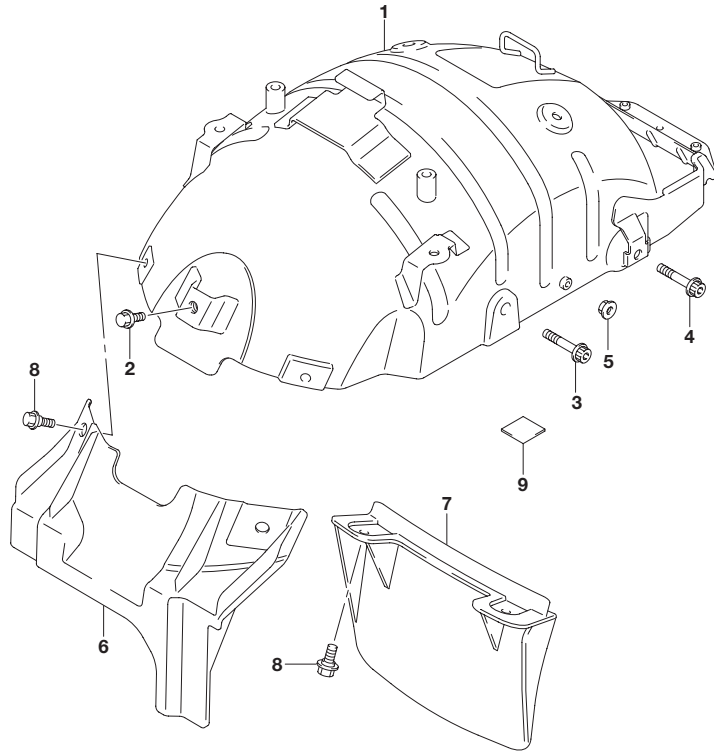


REF NO.	PART NO.	DESCRIPTION	Q'TY	REMARKS
1	63110-48G00-YVB	FENDER ,REAR( BLACK)	1	
2	68641-19F00-YD8	·EMBLEM ,SUZUKI( SILVER)	1	
3	63117-39G00	CUSHION ,LAMP	2	
4	94484-24F00	NUT ,COWL	2	
5	09139-06139	SCREW( 6X16)	2	
6	09180-06286	SPACER( 6.5X10X9.4)	2	
7	09320-10045	CUSHION	2	
8	09139-06190	BOLT( 6X20)	4	
9	09320-09016	CUSHION	4	
10	63171-48G01-YVB	COVER ,FENDER RH( BLACK)	1	
11	63181-48G01-YVB	COVER ,FENDER LH( BLACK)	1	
12	15439-70G10	CUSHION ,RH	1	
13	47161-19C00	CUSHION ,LH	1	
14	44276-29G00	CUSHION ,COVER	2	
15	09409-06314-5PK	CLIP( BLACK)	2	
16	09320-08028	CUSHION	2	
17	03541-0516A	SCREW	4	

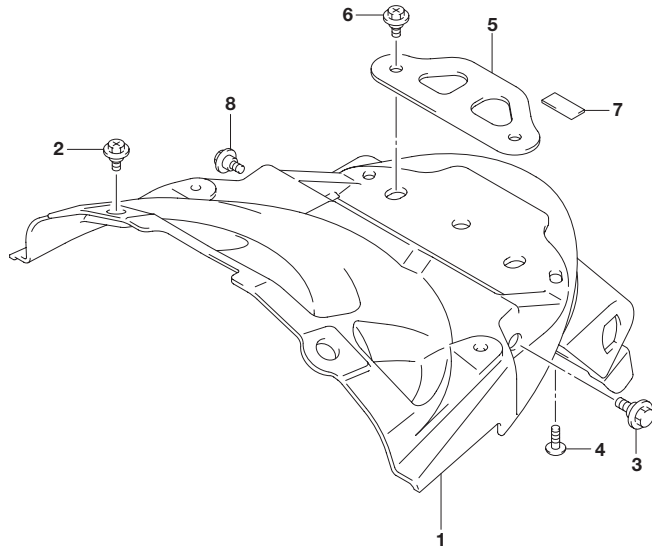
**FIG.475A**

**FIG.475A (1-F-7) REAR FENDER BRACE**

REF NO.	PART NO.	DESCRIPTION	Q'TY	REMARKS
1	63140-48G00	BRACE ,REAR FENDER	1	
2	01550-0812A	BOLT	1	FRONT
3	09106-08182	BOLT( 8X70)	2	FRONT
4	09106-08183	BOLT( 8X50)	2	REAR
5	08316-1008A	NUT	2	
6	63411-48G00	MUDGUARD ,FRONT UPPER	1	
7	63421-48G00	MUDGUARD ,FRONT LOWER	1	
8	09111-06107	BOLT( 6X12)	4	
9	94429-13E00	CUSHION ,CABLE GUIDE	2	



**FIG.476A**

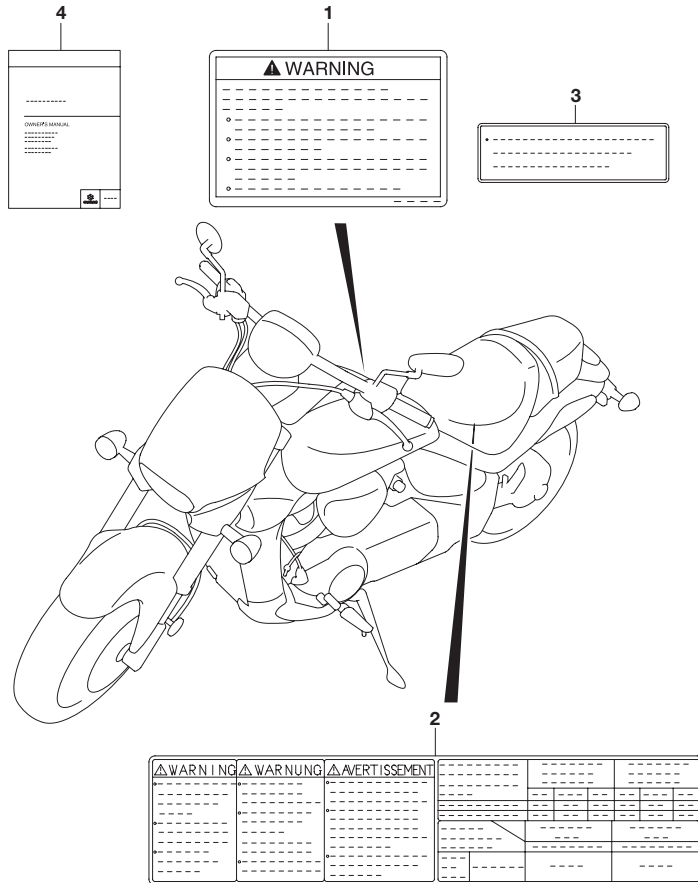


**FIG.476A (1-F-8) REAR FENDER EXTENSION**

REF NO.	PART NO.	DESCRIPTION	Q'TY	REMARKS
1	63311-48G01	EXTENSION , REAR FENDER	1	
2	63161-43E10	BOLT , REAR FENDER EXTENSION	2	
3	09111-06242	BOLT( 6X16.5)	1	LH
4	02142-0516A	BOLT	2	LOWER
5	63121-48G00	PLATE , EXTENSION	1	
6	09103-06307	BOLT( 6X10)	2	
7	63113-48G00	CUSHION , REAR FENDER EXT PLATE	1	
8	63161-43E10	BOLT , REAR FENDER EXTENSION RH	1	



**FIG.496A**

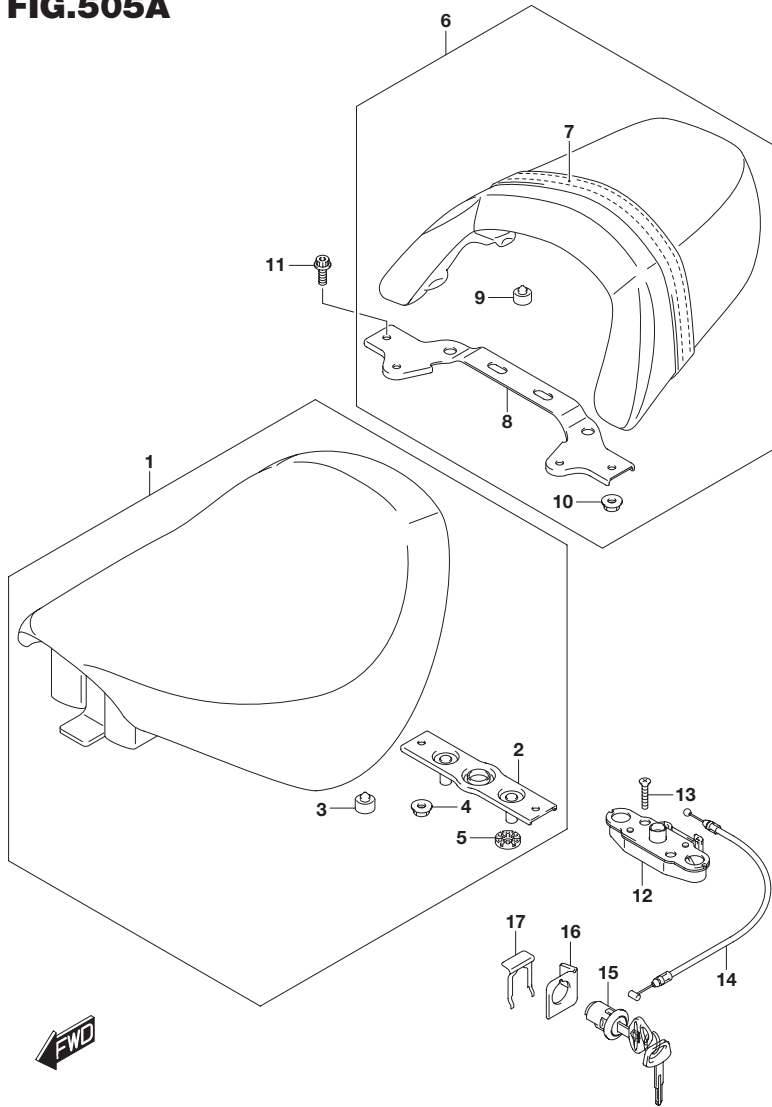


**FIG.496A (1-F-9) LABEL**

REF NO.	PART NO.	DESCRIPTION	Q'TY	REMARKS
1	68319-29F00	LABEL , WARNING ( ENGLISH )	1	
2	68332-48G00	LABEL , TIRE INFORMATION	1	
3	18803-40F00	LABEL , FUEL INFORMATION	1	
4	99011-48G68-01A	MANUAL , OWNER'S ( ENGLISH )	1	

**4**

**FIG.505A**



**FIG.505A (1-F-10) SEAT**

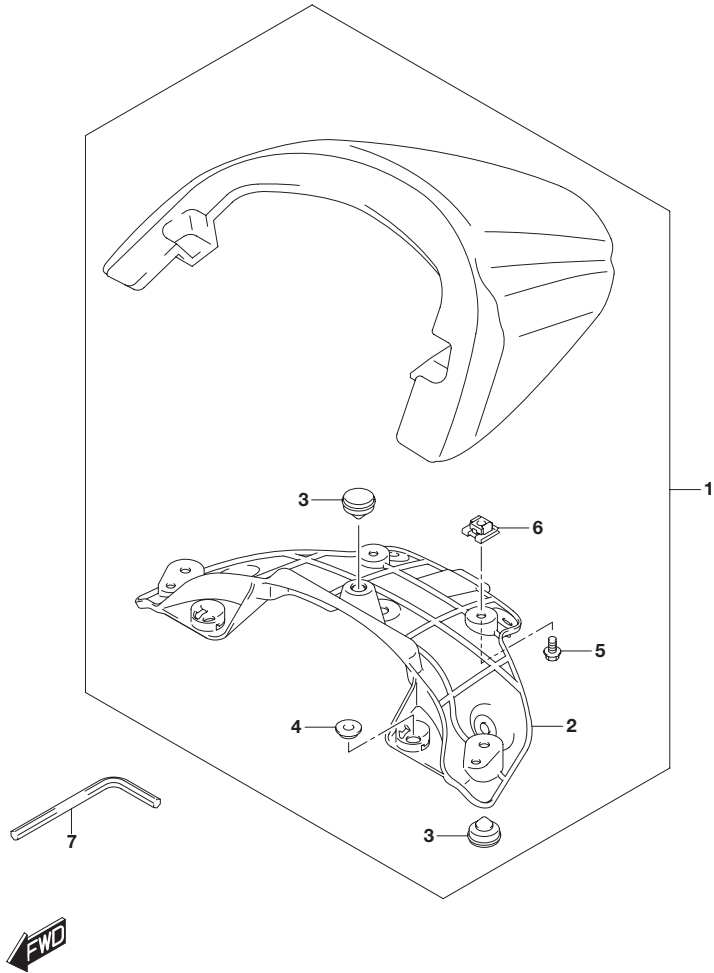
REF NO.	PART NO.	DESCRIPTION	Q'TY	REMARKS
1	45100-48G01-48H	SEAT ASSY( BLACK)	1	
2	45290-42F02	·STRIKER ,SETA LOCK	1	
3	09321-10011	·CUSHION	7	
4	08319-3106A	·NUT	2	
5	45213-31300	·CUSHION	2	
6	45300-48G00-48H	SEAT ASSY ,PILLION( BLACK)	1	
7	45180-48G00	·BAND ASSY	1	
8	45315-48G00	·BRACKET ,BAND	1	
9	09321-10011	·CUSHION	4	
10	08319-3106A	·NUT	2	
11	07120-0616A	BOLT	2	
12	45220-47H00	BRACKET ,SEAT SUPPORT	1	
13	02122-0630A	SCREW	2	
14	45280-48G00	CABLE ,SEAT LOCK	1	
15	95700-14F00	LOCK SET ,SEAT	1	
16	45288-14F00	GUIDE ,SEAT LOCK CABLE	1	
17	45289-11F00	PLATE ,SEAT LOCK ASSY	1	

**FIG.507A**

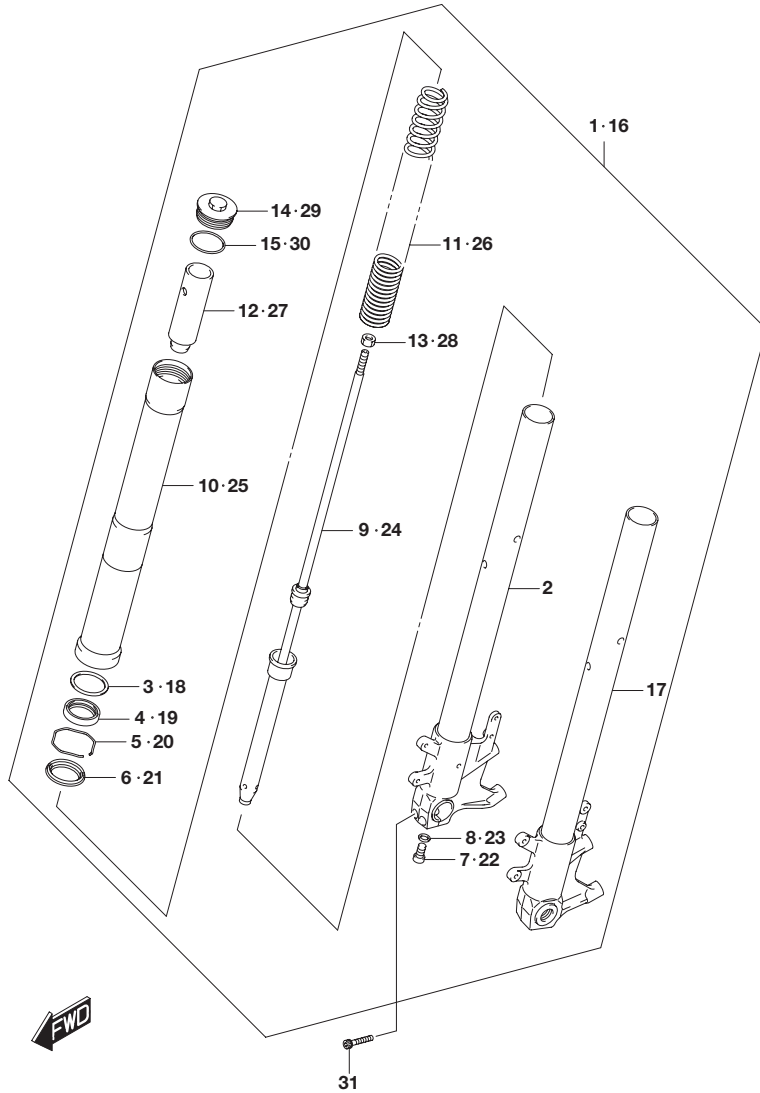
**FIG.507A (1-F-11) SEAT TAIL BOX**

REF NO.	PART NO.	DESCRIPTION	Q'TY	REMARKS
1	45550-48G00-YVB	BOX , SEAT TAIL( GRAY )	1	
2	45552-48G00	·BOTTOM , SEAT TAIL BOX	1	
3	45148-16700	·CUSHION	6	
4	45553-48G00	·COLLAR	2	
5	01550-0612B	·BOLT	4	
6	09148-06018	·NUT	4	
7	09816-00059	HEXAGON SPANNER ,5	1	

**4**



**FIG.521A**

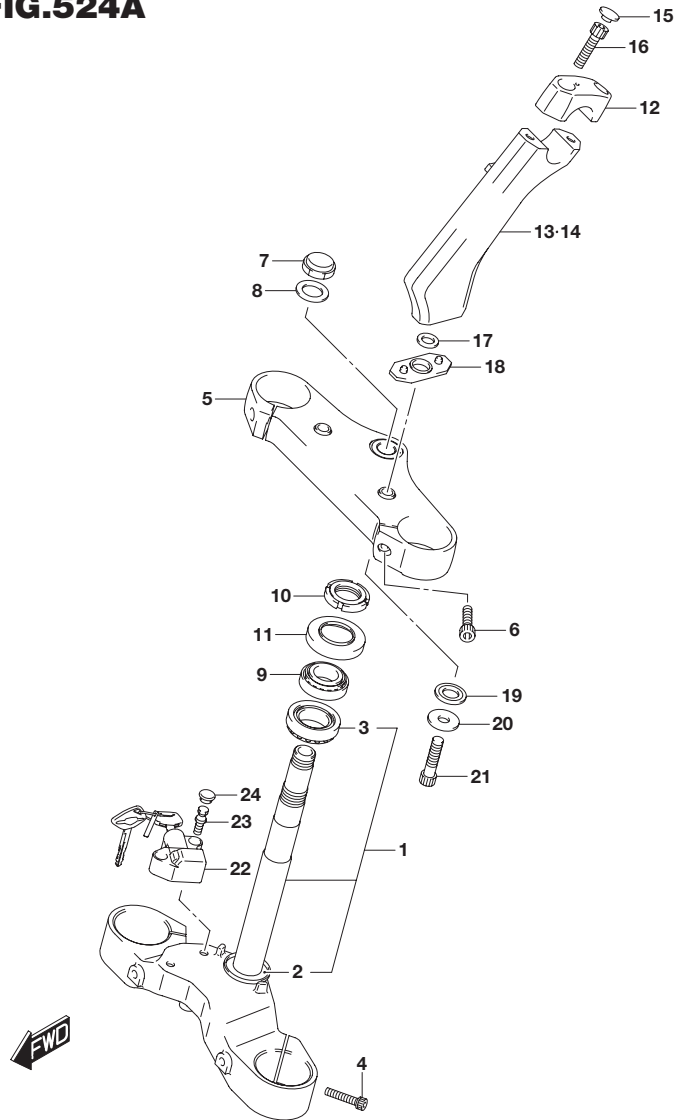


**FIG.521A (1-F-12) FRONT FORK DAMPER**

REF NO.	PART NO.	DESCRIPTION	Q'TY	REMARKS
1	51103-48G20	DAMPER ASSY ,FRONT FORK RH	1	
2	51110-48G20	·TUBE ,INNER RH	1	
3	51158-27C00	·WASHER	1	
4	51153-48G00	·OIL SEAL	1	
5	51156-27C00	·RING ,STOPPER	1	
6	51173-42F00	·SEAL ,DUST	1	
7	51147-05H00	·BOLT	1	
8	51148-41310	·GASKET	1	
9	51146-48G20	·CYLINDER	1	
10	51130-48G00	·TUBE ,OUTER	1	
11	51171-48G20	·SPRING ,FRONT	1	
12	51176-21H00	·SPACER ,SPRING	1	
13	51352-13A60	·NUT ,ROD	1	
14	51351-48G10	·CAP	1	
15	51117-48G00	·O RING	1	
16	51104-48G20	DAMPER ASSY ,FRONT FORK LH	1	
17	51120-48G20	·TUBE ,INNER LH	1	
18	51158-27C00	·WASHER	1	
19	51153-48G00	·OIL SEAL	1	
20	51156-27C00	·RING ,STOPPER	1	
21	51173-42F00	·SEAL ,DUST	1	
22	51147-05H00	·BOLT	1	
23	51148-41310	·GASKET	1	
24	51146-48G20	·CYLINDER	1	
25	51130-48G00	·TUBE ,OUTER	1	
26	51171-48G20	·SPRING ,FRONT	1	
27	51176-21H00	·SPACER ,SPRING	1	
28	51352-13A60	·NUT ,ROD	1	
29	51351-48G10	·CAP	1	
30	51117-48G00	·O RING	1	
31	51328-39G20	BOLT	2	



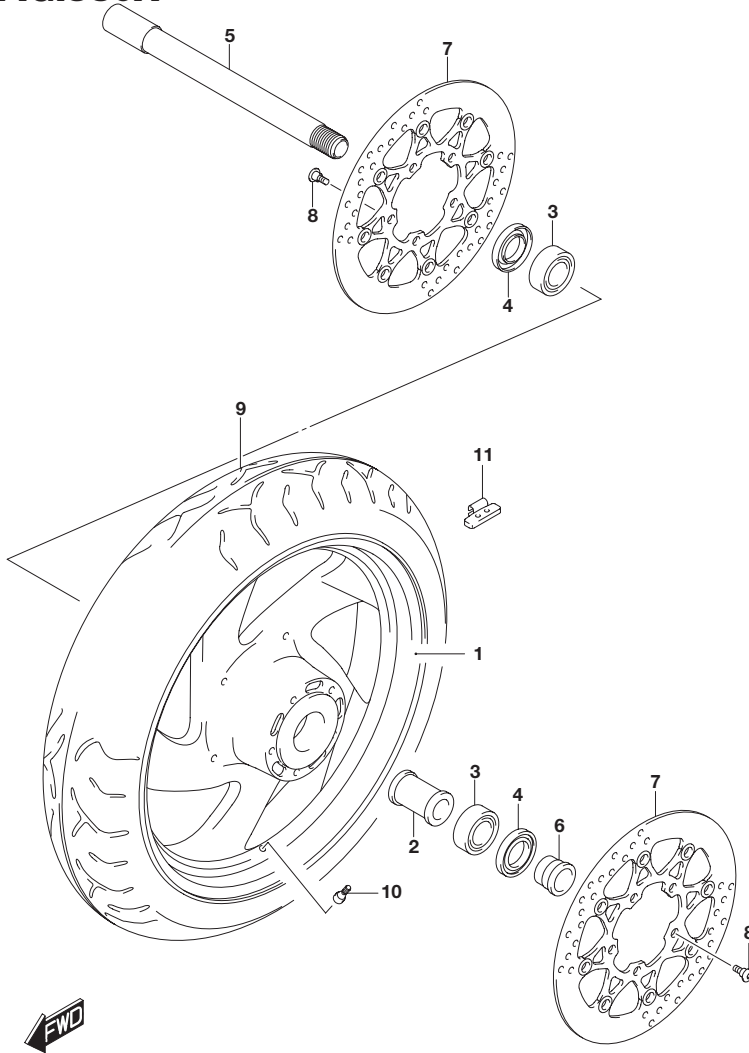
**FIG.524A**



**FIG.524A (1-F-13) STEERING STEM**

REF NO.	PART NO.	DESCRIPTION	Q'TY	REMARKS
1	51410-48G00	BRACKET , UNDER	1	
2	51644-12C00	·SEAL , STEERING LOWER	1	
3	09265-30020	·BEARING ( 30X55X17 )	1	
4	51328-44G10	BOLT	4	
5	51311-48G20	BRACKET , UPPER	1	
6	51321-44G10	BOLT	2	
7	51353-24B00	NUT , STEM	1	
8	51356-10D03	WASHER	1	
9	09265-25038	BEARING( 25X47X15 )	1	
10	51631-31F00	NUT , STEERING STEM	1	
11	51643-40502	DUST SEAL , STEERING UPPER	1	
12	56211-48G10	HOLDER , HANDLE	2	
13	56224-48G20	HOLDER , HANDLE RH	1	
14	56225-48G20	HOLDER , HANDLE LH	1	
15	09250-06009	CAP ( OD:14.5 )	4	
16	51328-44G10	BOLT	4	
17	51354-48G00	WASHER	2	
18	56245-48G00	RUBBER , HANDLE HOLDER	2	
19	56245-39G20	RUBBER , HANDLE LOWER	2	
20	51355-48G00	WASHER	2	
21	51226-48G00	BOLT	2	
22	51900-48810	LOCK SET , STEERING	1	
23	51925-48G00	SCREW , STEERING LOCK	2	
24	51926-48G00	PLUG , STEERING LOCK	2	

**FIG.530A**



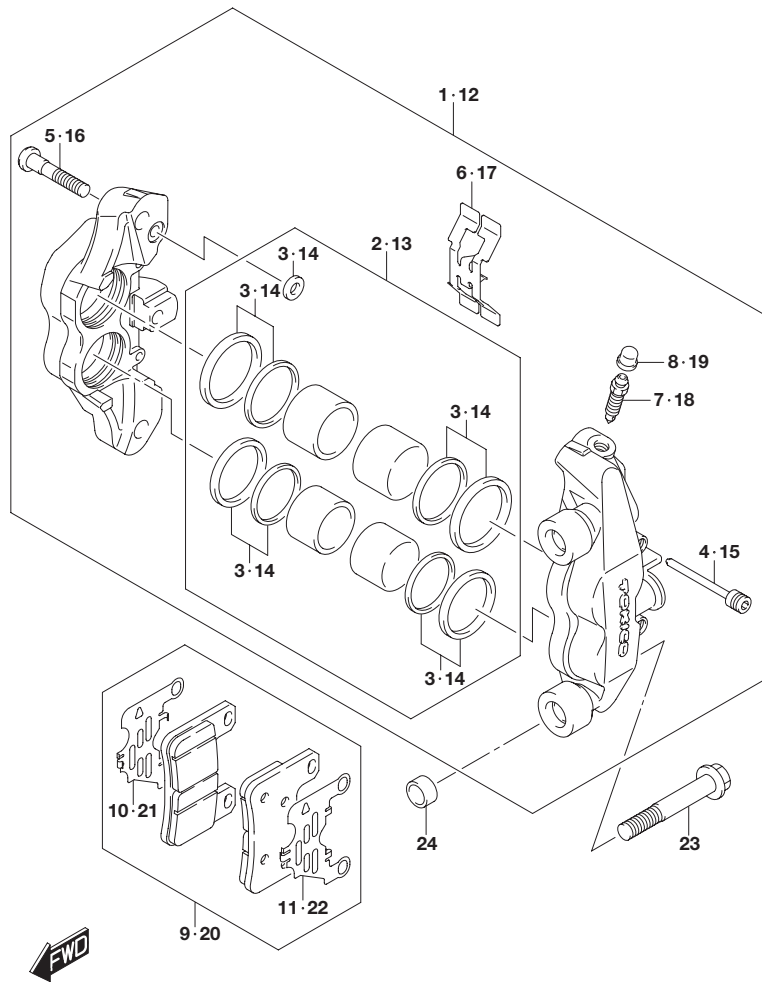
**FIG.530A (1-F-14) FRONT WHEEL**

REF NO.	PART NO.	DESCRIPTION	Q'TY	REMARKS
1	54111-48G10-12Z	WHEEL ,FR( 18M/CXMT3.50 ) ( SILVER )	1	
2	54731-48G00	SPACER ,FRONT WHEEL BEARING	1	
3	09262-25061	BEARING( 25X52X15 )	2	
4	09285-32004	OIL SEAL ( 32X52X7 )	2	
5	54711-48G00	AXLE ,FRONT	1	
6	54741-48G00	SPACER ,FRONT AXLE , LH	1	
7	59210-41G10	DISC ,FRONT BRAKE	2	
8	09106-08160	BOLT ( 8X21 )	10	
9	55110-48G01	TIRE ,FR ,130/70R18M/C 63V ( DUNLOP )	1	D221FA
10	43130-24A00	VALVE ASSY ,WHEEL RIM( TR412)	1	
11-1	55411-22H00	BALANCER ,WHEEL NO.1	AR	10G
11-2	55412-22H00	BALANCER ,WHEEL NO.2	AR	20G
11-3	55413-22H00	BALANCER ,WHEEL NO.3	AR	30G

**FIG.535A**

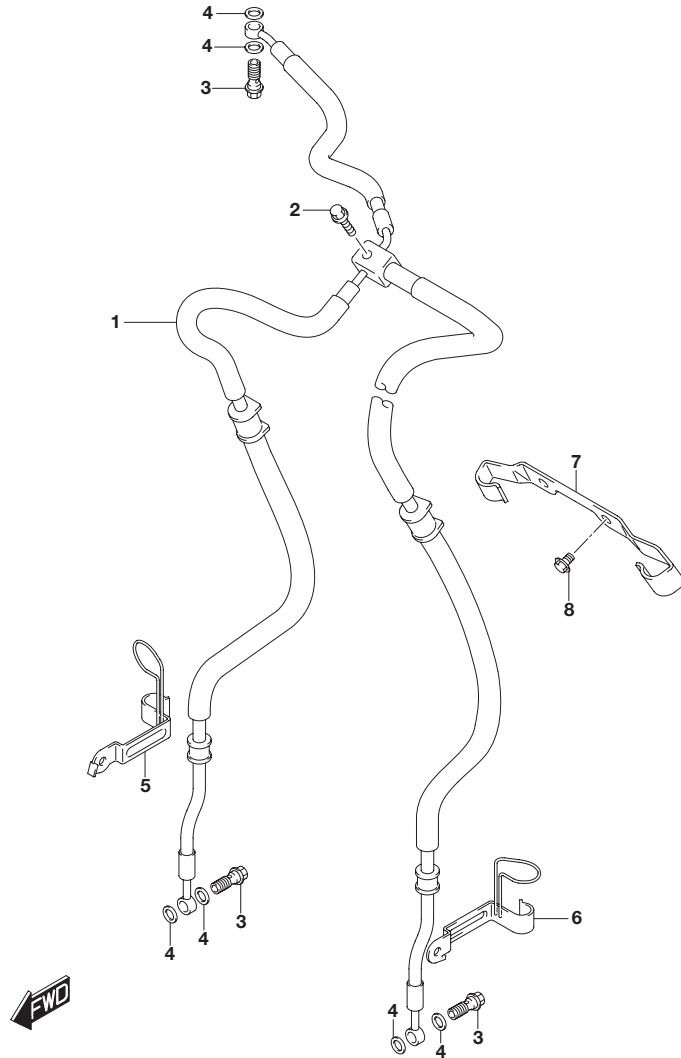
**FIG.535A (1-F-15) FRONT CALIPER**

**4**



REF NO.	PART NO.	DESCRIPTION	Q'TY	REMARKS
1	59100-41G10-999	CALIPER ASSY ,FRONT RH	1	
2	59100-35870	·PISTON SET	1	
3	59100-35820	··SEAL SET ,PISTON	1	
4	59141-41G10	·PIN	2	
5	59145-18G00	·BOLT	3	
6	59151-29G00	·SPRING ,PAD	1	
7	59121-18410	·BLEEDER	1	
8	55156-66310	·CAP ,BLEEDER PLUG	1	
9	59100-29850	PAD & SHIM SET	1	
10	59171-41G00	·SHIM ,PAD A	1	
11	59172-41G00	·SHIM ,PAD B	1	
12	59300-41G10-999	CALIPER ASSY ,FRONT LH	1	
13	59100-35870	·PISTON SET	1	
14	59100-35820	··SEAL SET ,PISTON	1	
15	59141-41G10	·PIN	2	
16	59145-18G00	·BOLT	3	
17	59151-29G00	·SPRING ,PAD	1	
18	59121-18410	·BLEEDER	1	
19	55156-66310	·CAP ,BLEEDER PLUG	1	
20	59100-29850	PAD & SHIM SET	1	
21	59171-41G00	·SHIM ,PAD A	1	
22	59172-41G00	·SHIM ,PAD B	1	
23	09103-10392	BOLT( 10X70)	4	
24	59151-41G00	PIN ,CALIPER	4	

**FIG.536A**



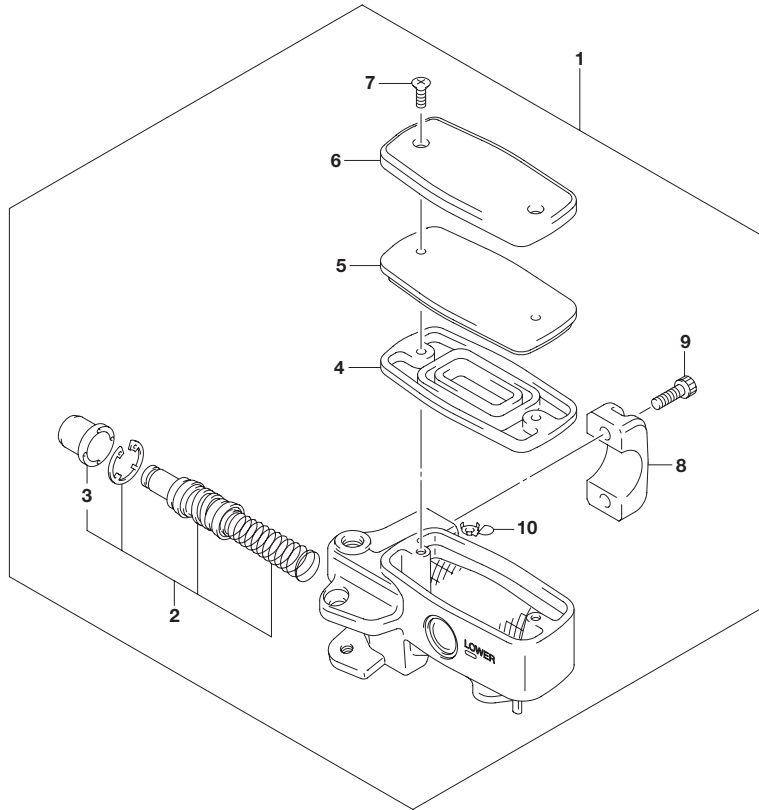
**FIG.536A (1-G-2) FRONT BRAKE HOSE**

REF NO.	PART NO.	DESCRIPTION	Q'TY	REMARKS
1	59480-48G30	HOSE ,FRONT BRAKE	1	
2	01547-0625A	BOLT	1	
3	09360-10062	UNION	3	
4	09161-10009	WASHER ( 10X15X1.5 )	6	
5	59260-48G00	CLAMP ,FRONT BRAKE HOSE ,RH	1	
6	59270-48G00	CLAMP ,FRONT BRAKE HOSE ,LH	1	
7	59266-48G00	CLAMP ,FRONT BRAKE HOSE	1	
8	01550-0812A	BOLT	2	

**FIG.537A**

**FIG.537A (1-G-3) FRONT MASTER CYLINDER**

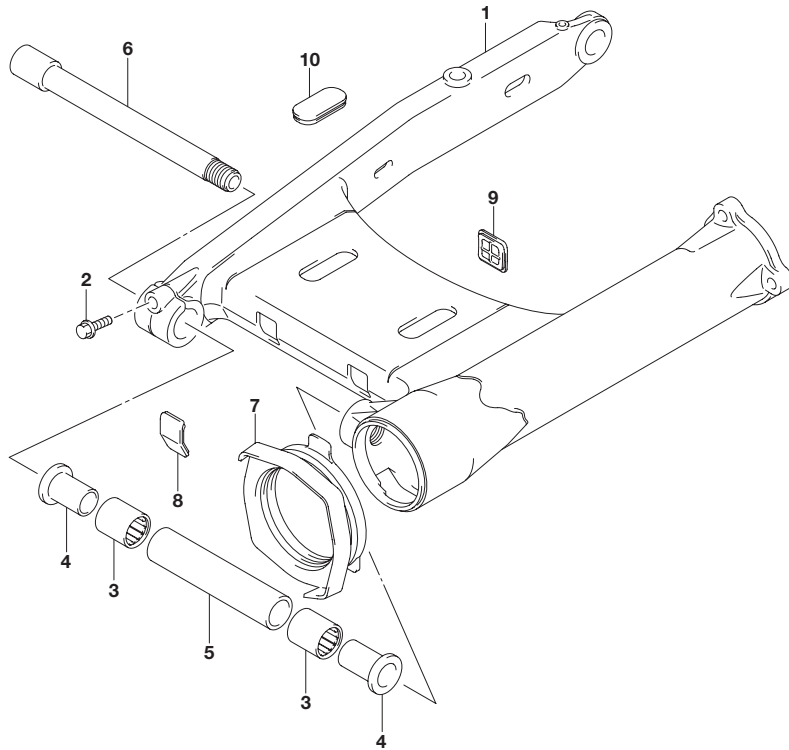
**4**



REF NO.	PART NO.	DESCRIPTION	Q'TY	REMARKS
1	59600-10F61	CYLINDER ASSY ,FRONT MASTER	1	
2	59601-45810	·PISTON/CUP SET	1	
3	59666-44300	··BOOT	1	
4	59667-10F00	·DIAPHRAGM	1	
5	57437-10F00	·PLATE ,DIAPHRAGM	1	
6	59669-10F10	·CAP	1	
7	02122-04127	·SCREW	2	
8	59671-10F00	·HOLDER	1	
9	07130-06207	·BOLT	2	
10	59664-32F00	·PROTECTOR	1	

**FIG.541A**

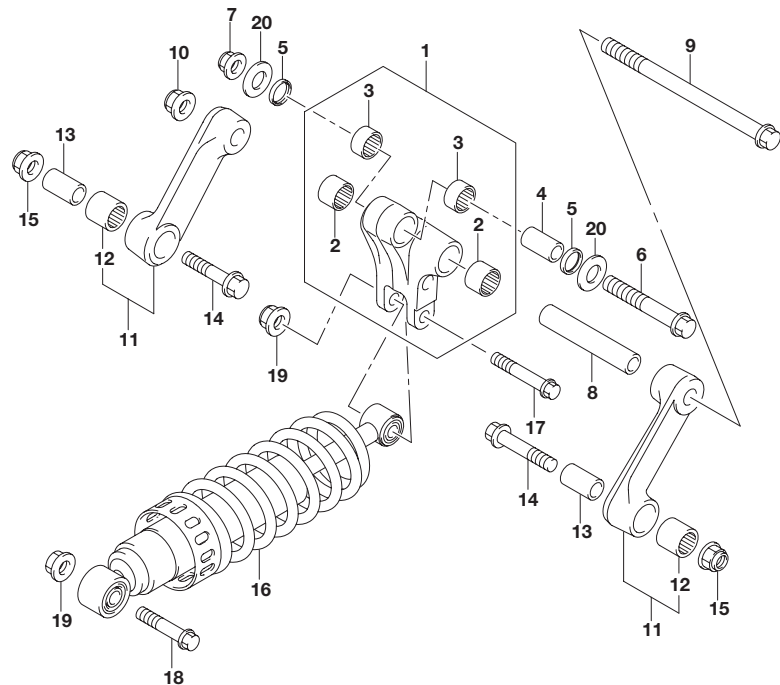
**FIG.541A (1-G-4) REAR SWINGINGARM**



REF NO.	PART NO.	DESCRIPTION	Q'TY	REMARKS
1	61111-48G30-019	SWINGINGARM ,REAR ( BLACK )	1	
2	09103-08071	BOLT( 8X36 )	1	
3	09263-25059	BEARING( 25X33X35 )	2	
4	61251-31E00	SPACER ,REAR SWGARM PIVOT	2	
5	61280-48G01	SPACER ,REAR SWGARM PIVOT CTR	1	
6	61211-48G00	SHAFT ,REAR SWGARM PIVOT	1	
7	61372-48G10	BOOT ,PROPELLER SHAFT	1	
8	61167-48G00	CAP ,JOINT FRONT	2	
9	61168-48G00	CAP ,JOINT REAR	1	
10	61169-48G00	CAP ,JOINT UPPER	2	

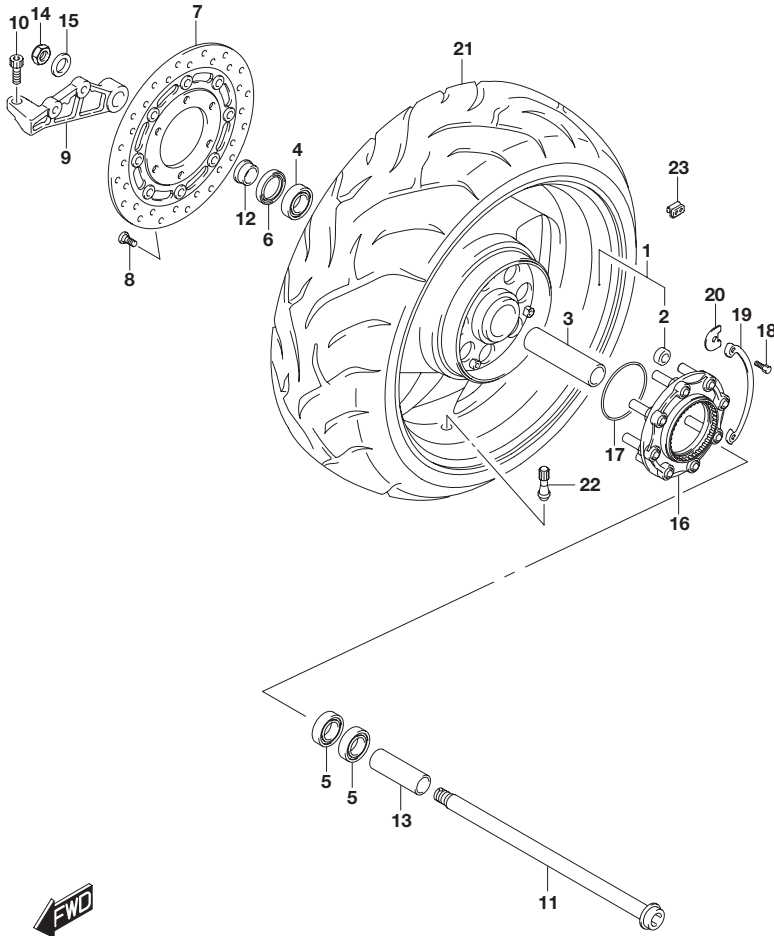
# FIG.543A

# FIG.543A (1-G-5) REAR CUSHION LEVER



REF NO.	PART NO.	DESCRIPTION	Q'TY	REMARKS
1	62600-48870	LEVER SET ,REAR CUSHION	1	
2	09263-20074	·BEARING ( 20X27X32 )	2	
3	09263-20090	·BEARING ( 20X26X14 )	2	
4	62684-48G00	SPACER , UPPER	1	
5	09284-20003	OIL SEAL ( 20X26X4 )	2	
6	62658-33D00	BOLT ,FRONT	1	
7	08319-3114A	NUT	1	
8	09180-14018	SPACER( 14X20X102 )	1	
9	62621-48G00	BOLT ,LOWER	1	
10	08319-3114A	NUT	1	
11	62600-48880	ROD SET ,REAR CUSHION	2	
12	09263-20074	·BEARING ( 20X27X32 )	2	
13	09180-14014	SPACER( 14X20X34 )	2	
14	09103-14016	BOLT ( 14X66 )	2	
15	08319-3114A	NUT	2	
16	62100-48G40	ABSORBER ASSY ,REAR SHOCK	1	
17	62658-01C60	BOLT ,REAR CUSHION LEVER FRONT	1	
18	09103-12042	BOLT ( 12X57 )	1	
19	09159-12056	NUT	2	
20	08211-14341	WASHER	2	

**FIG.550A**

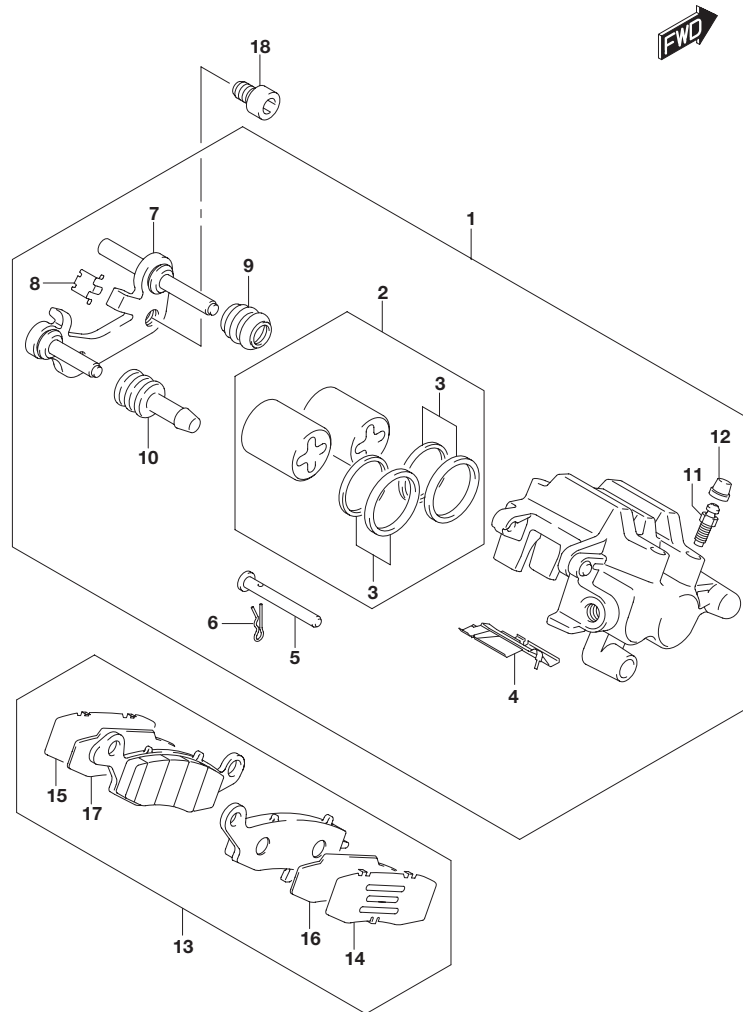


**FIG.550A (1-G-6) REAR WHEEL**

REF NO.	PART NO.	DESCRIPTION	Q'TY	REMARKS
1	64100-48820-12Z	WHEEL SET ,REAR ( 18M/CXMT8.5 ) ( SILVER )	1	
2	09319-12019	·BUSH	8	
3	64731-48G00	SPACER ,REAR WHEEL BEARING	1	
4	09262-25072	BEARING (25X52X15)	1	RH
5	08143-62057	BEARING	2	LH
6	09285-32004	OIL SEAL ( 32X52X7 )	1	
7	69210-10F40	DISC ,REAR BRAKE	1	
8	09106-08160	BOLT ( 8X21 )	6	
9	69721-48G10	BRACKET ,REAR CALIPER	1	
10	09103-12109	BOLT( 12X40 )	1	
11	64711-48G00	AXLE ,REAR	1	
12	64741-48G00	SPACER ,REAR AXLE , RH	1	
13	64772-48G00	SPACER ,REAR AXLE , LH	1	
14	09159-22007	NUT	1	
15	09160-22081	WASHER ( 22X35X2 )	1	
16	64680-48G00	JOINT ASSY ,REAR HUB DRIVEN	1	
17	09280-80001	O RING( D:2.4 ,ID:79.8 )	1	
18	09119-06049	BOLT ( 6X16 )	4	
19	64679-48G00	WASHER ,REAR HUB DRIVEN JOINT	2	
20	64677-48G10	WASHER ,THRUST	4	
21	65110-48G01	TIRE ,RR , 240/40R18M/C 79V ( DUNLOP )	1	D221
22	43130-24A00	VALVE ASSY ,WHEEL RIM ,( TR412 )	1	
23-1	55411-22H00	BALANCER ,WHEEL NO.1	AR	10G
23-2	55412-22H00	BALANCER ,WHEEL NO.2	AR	20G
23-3	55413-22H00	BALANCER ,WHEEL NO.3	AR	30G



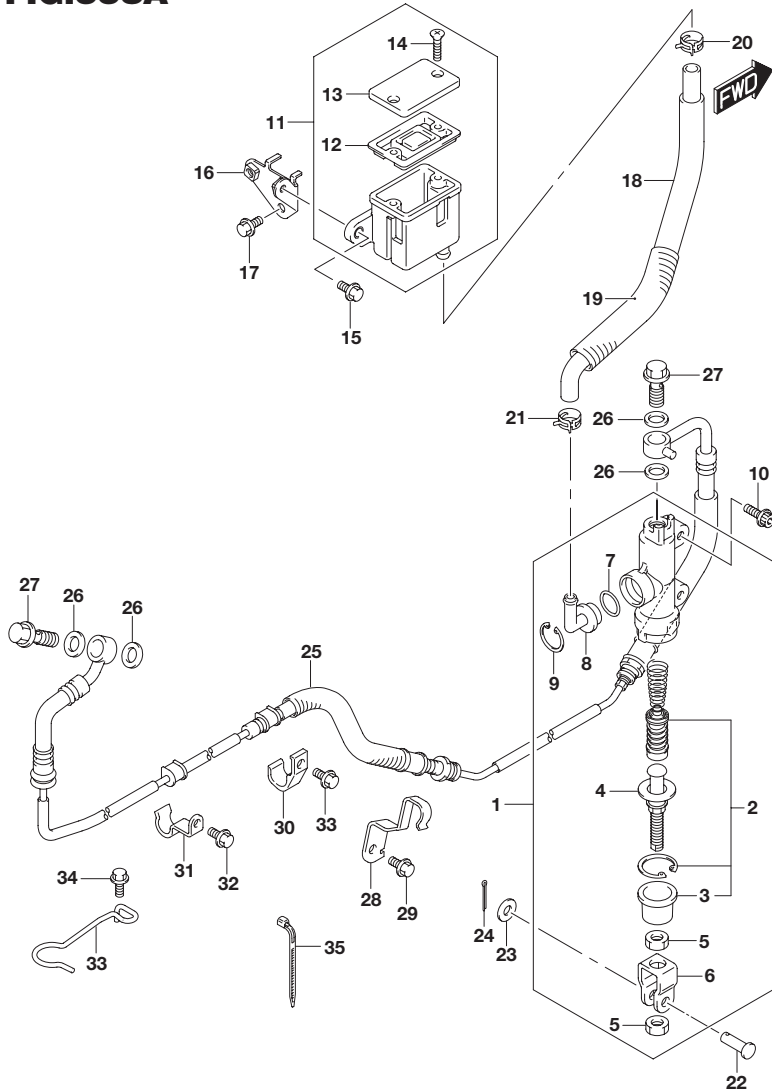
**FIG.555A**



**FIG.555A (1-G-7) REAR CALIPER**

REF NO.	PART NO.	DESCRIPTION	Q'TY	REMARKS
1	69100-01D40-999	CALIPER ASSY ,REAR	1	
2	69100-01840	·PISTON SET	1	
3	59300-33841	··SEAL SET ,PISTON	1	
4	69115-01D40	·SPRING ,PAD	1	
5	69141-01D40	·PIN ,PAD	1	
6	69142-45000	·CLIP ,PAD PIN	1	
7	69150-01D40	·CARRIER ,CALIPER	1	
8	59116-33D00	·GUIDE ,PAD	1	
9	59112-44B00	·BOOT ,AXLE	1	
10	59113-01D00	·INSULATOR ,AXLE	1	
11	59121-03B00	·BLEEDER	2	
12	55156-66310	·CAP ,BLEEDER PLUG	2	
13	69100-01870	PAD & SHIM SET	1	
14	59171-33D00	·SHIM ,PAD	1	
15	59172-33D00	·SHIM ,PAD NO.2	1	
16	69171-01D40	·INSULATOR NO.1	1	
17	69172-01D40	·INSULATOR NO.2	1	
18	09106-10093	BOLT ( 10X20 )	2	

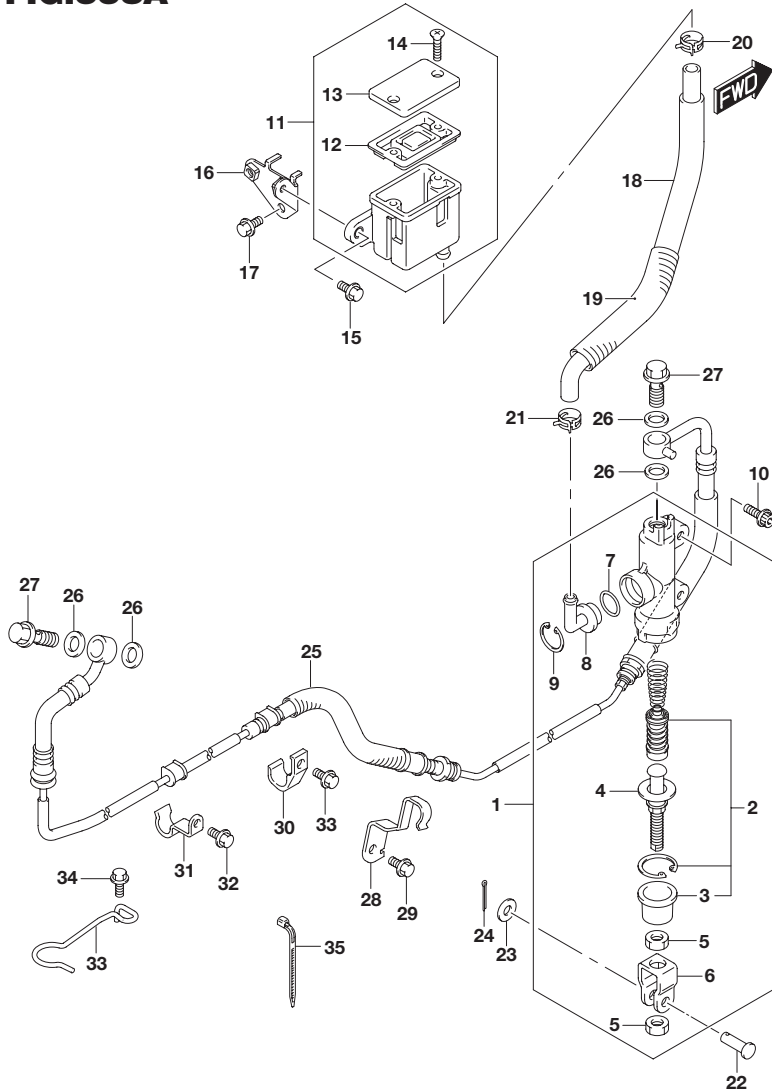
**FIG.558A**



**FIG.558A (1-G-8) REAR MASTER CYLINDER**

REF NO.	PART NO.	DESCRIPTION	Q'TY	REMARKS
1	69600-48G00	CYLINDER ASSY ,REAR MASTER	1	
2	69600-34820	·PISTON/CUP SET	1	
3	69691-00A00	··BOOT	1	
4	69670-44B00	·ROD ,PUSH	1	
5	69693-05A00	·NUT	2	
6	69692-19A00	·YOKE	1	
7	69686-34200	·O RING	1	
8	69672-00B20	·CONNECTOR	1	
9	69674-00B20	·CIRCLIP	1	
10	07120-0625A	BOLT	2	
11	69740-48G00	TANK ASSY ,REAR RESERVOIR	1	
12	59667-04700	·DIAPHRAGM	1	
13	59669-05D00	·CAP	1	
14	69689-04A00	·SCREW	2	
15	01547-0612A	BOLT	1	
16	69750-48G00	BRACKET ,REAR RESERVER TANK	1	
17	01550-0612A	BOLT	1	
18	69730-48G00	HOSE ,REAR RESERVOIR TANK	1	
19	69732-48G00	HEATSHIELD ,RR RSVR TANK HOSE	1	
20	09401-13417	CLIP	1	
21	09401-12404	CLIP	1	
22	09200-06068	PIN ( 6X18.2 )	1	
23	08322-0106A	WASHER	1	
24	04111-2015A	COTTER PIN	1	

**FIG.558A**



**FIG.558A (1-G-9) REAR MASTER CYLINDER**

REF NO.	PART NO.	DESCRIPTION	Q'TY	REMARKS
25	69400-48G20	HOSE ASSY , REAR BRAKE	1	
26	09161-10009	WASHER ( 10X15X1.5 )	4	
27	09360-10062	UNION	2	
28	69268-48G00	CLAMP , REAR BRAKE HOSE NO.3	1	
29	01550-0612A	BOLT	1	
30	69268-29G01	CLAMP , REAR BRAKE HOSE	1	
31	69269-48G00	CLAMP , REAR BRAKE PIPE	1	
32	01547-0612A	BOLT	2	
33	69243-48G00	GUIDE , REAR BRAKE HOSE	1	
34	01550-0612A	BOLT	1	
35	09407-18402	CLAMP ( L:165 )	1	

## PARTS NUMBER INDEX

PART NO.	FIG.NO.-REF.NO.	PART NO.	FIG.NO.-REF.NO.	PART NO.	FIG.NO.-REF.NO.
10000		11401-48861	101A-1	12730-48G00	126A-2
		11482-48G00	101A-7	12731-48G00	127A-1
			112A-2	12740-22H00	126A-4
		11483-48G00	101A-8	12751-48G00	127A-2
			112A-9	12752-48G00	127A-3
11101-48G10	104A-1	11485-48G00	101A-9	12755-48G00	127A-4
11103-48G10	105A-1		108A-45	12761-48G00	127A-5
11115-65J00-001	104A-4	11511-48G01	116A-1	12762-48G00	127A-6
	105A-4	11521-48G00	108A-22	12771-48G00	127A-7
11141-48G00	101A-3	11611-48G00	108A-34	12772-48G00	127A-8
11142-48G00	104A-5	11652-10G30	108A-36	12773-48G00	127A-10
	101A-4	11652-10G50	108A-35	12774-48G00	127A-9
	105A-5	11971-48G01	108A-24	12800-41810	126A-7
11170-48G00	104A-12	12000-48841	120A-1	12811-48G00	127A-11
	105A-12	12111-48G00-0F0	120A-4	12812-31G00	127A-14
11173-48G00	101A-2	12140-48G00	120A-5	12813-48G00	127A-12
	104A-13	12151-48G00	120A-6	12814-48G00	127A-13
	105A-13	12160-48G00	120A-8	12831-35F00	127A-22
11174-48G00	104A-14	12163-06G00	120A-9		127A-25
	105A-14	12164-48G00-0A0	120A-11	12831-48G00	127A-18
11175-48G00	104A-15	12164-48G00-0B0	120A-11	12832-48G00	127A-19
	105A-15	12164-48G00-0C0	120A-11	12833-17G00	127A-20
11180-48G00	104A-16	12164-48G00-0D0	120A-11	12834-48G00	127A-21
	105A-16	12228-48G00-0A0	108A-13	12835-48G00	127A-24
11192-13E00	104A-18		120A-2	12837-24F10	127A-23
	105A-18	12228-48G00-0B0	108A-13		127A-26
11211-48G00-0F0	107A-1		120A-2	12837-27G00	101A-10
11221-48G00-0F0	107A-2	12228-48G00-0C0	108A-13		127A-27
11241-48G10	101A-5		120A-2	12891-48G00	126A-5
	107A-3	12228-48G00-0D0	108A-13	12892-41C00-230	126A-6
11242-48G00	101A-6		120A-2	12892-41C00-235	126A-6
	107A-4	12228-48G00-0E0	108A-13	12892-41C00-240	126A-6
11269-18G01	163A-1		120A-2	12892-41C00-245	126A-6
11276-48G00	163A-2	12228-48G00-0F0	108A-13	12892-41C00-250	126A-6
11277-48G00	163A-3		120A-2	12892-41C00-255	126A-6
11300-48881	108A-1	12229-48G10-0A0	120A-3	12892-41C00-260	126A-6
11319-33E50	108A-2	12229-48G10-0B0	120A-3	12892-41C00-265	126A-6
11330-48G00	108A-42	12229-48G10-0C0	120A-3	12892-41C00-270	126A-6
11332-48G00	108A-48	12229-48G10-0D0	120A-3	12892-41C00-275	126A-6
11333-48G00	108A-49	12229-48G10-0E0	120A-3	12892-41C00-280	126A-6
11341-48G00	112A-1	12600-48G01	122A-1	12892-41C00-285	126A-6
11351-48G00	112A-7	12600-48820	122A-3	12892-41C00-290	126A-6
11352-48G00	112A-8	12612-06G00	122A-2	12892-41C00-295	126A-6
11353-48G00	112A-27	12618-31G00	122A-4	12892-41C00-300	126A-6
11361-48G20	112A-21	12650-48G00	124A-1	12892-41C00-305	126A-6
11363-48G20	112A-28	12663-48G00	124A-2	12892-41C00-310	126A-6
11364-48G00	112A-29	12666-48G10	124A-3	12892-41C00-315	126A-6
11371-48G00	108A-44	12667-48G10	124A-4	12892-41C00-320	126A-6
11372-48G00	112A-22	12710-48G00	126A-1	12892-41C00-325	126A-6
11390-48G00	108A-19	12720-22H00	126A-3	12892-41C00-330	126A-6

PART NO.	FIG.NO.-REF.NO.	PART NO.	FIG.NO.-REF.NO.	PART NO.	FIG.NO.-REF.NO.
12892-41C00-335	126A-6	13826-22H00	155A-35	15141-48G00	172A-11
12892-41C00-340	126A-6	13826-48G00	155A-14	15175-48G00	172A-12
12892-41C00-345	126A-6		155A-30	15201-35F00	172A-20
12892-41C00-350	126A-6	13827-48G00	155A-15	15420-48G00	172A-13
12911-48G10	126A-9		155A-31	15425-48G00	172A-14
12912-48G00	126A-10	13838-48G10	155A-46	15426-48G00	172A-15
12921-48G10	126A-11	13850-48G10	155A-47	15439-70G10	474A-12
12931-48G00	126A-12	13865-48G00	155A-36	15610-48G00	172A-16
12932-85FA0	126A-13	13871-48G00	155A-38	15613-48G00	172A-17
12933-19B00	126A-14	13871-48G10	155A-39	15614-48G00	172A-18
13101-48G00	104A-22	13873-48G00	155A-8	15615-48G00	172A-19
	105A-22		155A-24	15625-29G00	140A-16
13170-22H00	104A-24	13877-00190	155A-9	15630-29G10	140A-15
	105A-24		155A-25	15710-48G00	140A-8
13269-48G00	140A-2	13881-48G00	155A-34	15717-58B00	140A-9
13405-48G20	140A-1	13891-48G20	155A-16	15722-29G00	140A-10
13521-29FA0	140A-3		155A-32	15730-48G01	140A-14
13575-29G00	140A-6	14150-48G20	163A-4	15810-48G01	172A-21
13580-29G00	140A-4	14160-48G20	163A-8	16321-48G00	116A-10
13580-48G00	140A-5	14168-48G20	163A-5	16331-48G00	116A-11
13602-06148	140A-11	14169-48G20	163A-9	16400-48G00	116A-12
13605-02F00	140A-7	14170-48G40	163A-16	16410-48G00	116A-13
13650-10G00	187A-27	14180-48G40	163A-17	16440-24F00	116A-14
13650-52G00	155A-55	14181-10F00	101A-11	16461-48G00	178A-5
13655-77E00	155A-56		163A-12	16471-48G00	178A-6
13683-48G00	140A-12	14260-48G00	163A-13	16510-07J00	178A-8
13683-48G10	140A-13	14280-48G00	163A-14	16520-48G00	116A-23
13693-24F00	172A-2	14305-48G42	163A-15	16530-48G00	116A-22
13697-48G00	140A-18	14340-48G20	163A-26	16591-49X00	178A-2
13698-48G00	140A-19	14344-48G20	163A-27	16600-48G00	178A-1
13701-48G20	155A-1	14410-48G00	163A-29	17400-48G00	180A-1
13702-48G20	155A-17	14425-48G00	163A-42	17418-33400	180A-5
13710-48G20	155A-33		163A-43	17435-33400	180A-6
13739-48G00	155A-13	14458-06H00	163A-48	17470-02F10	180A-3
13739-48G10	155A-29	14459-48G00	163A-30	17491-17E01	180A-2
13741-48G00	155A-4	14771-42F31	163A-31	17511-48G00	180A-8
	155A-20	14780-48G00	163A-32	17661-48G10	187A-1
13746-48G00	155A-12	14790-48G00	163A-33	17662-48G00	187A-2
	155A-28	14795-10FA0	163A-6	17670-06G50	187A-3
13747-48G00	155A-6		163A-10	17710-48G00	185A-1
	155A-22		163A-28	17711-40F00	185A-3
13760-48G00	155A-41	15100-48G10	172A-1	17712-40F00	185A-4
13760-48G10	155A-42	15110-48G00	172A-3	17730-08J00	187A-24
13760-48G20	155A-43	15114-48G00	172A-4	17761-48G00	185A-5
13770-48G00	155A-44	15115-14G00	172A-5	17771-48G10	185A-6
13770-48G10	155A-45	15116-48G00	172A-6	17791-24D00	187A-25
13780-48G20	155A-5	15119-14G00	172A-7	17798-39G00	449A-4
	155A-21	15125-48G00	172A-8		449A-14
13812-29C50	155A-3	15131-48G00	172A-9	17800-48G00	185A-2
	155A-19	15135-48G00	172A-10	17851-48G00	187A-7

PART NO.	FIG.NO.-REF.NO.	PART NO.	FIG.NO.-REF.NO.	PART NO.	FIG.NO.-REF.NO.
17852-48G00	187A-8	23123-41G00	201A-25	27100-48G20	220A-1
17853-48G00	187A-9	23125-48G00	201A-26	27151-48G20	220A-2
17854-48G00	187A-10	23271-48G00	201A-27	27172-24A00	220A-9
17855-48G00	187A-11	24121-48G10	206A-1	27300-48850-13L	220A-8
17856-48G00	187A-12	24130-48G01	206A-19	27311-24A03	220A-10
17857-48G01	187A-13	24136-48G01	206A-20	27312-24A02	220A-11
17858-48G00	187A-14	24221-48G00	206A-2	27313-38B00	220A-12
17859-48G00	187A-15	24231-48G10	206A-3	27313-38B10	220A-13
17860-48G00	187A-16	24241-48G10	206A-4	27320-48G00	220A-23
17890-06G20	187A-17	24251-48G00	206A-5	27326-48811	220A-24
17891-48G00	187A-29	24252-24F10	206A-6	27445-24810	220A-14
17910-48G00	187A-18	24262-24F10	206A-7	27450-48G70-13L	220A-35
17931-02FA0	187A-19	24311-48G00	206A-21	27461-38B00	220A-36
17981-48G00	187A-21	24312-24F10	206A-22		
18117-48G00	140A-17	24321-48G10	206A-23		
18213-48G10	163A-49	24322-48G00	206A-24		
18213-48G20	163A-50	24331-48G10	206A-25		
18450-06G00	189A-1	24332-24F10	206A-26	30000	
18461-48G00	189A-2	24341-48G00	206A-27		
18471-48G00	189A-3	24351-48G00	206A-28		
18510-27G01	189A-4	24910-48830	216A-1	31100-48G00	301A-1
18531-06G01	189A-5	24923-48G10	216A-4	31130-38B00	301A-2
18803-40F00	496A-3	24924-48G10	216A-5	31132-38B00	301A-4
		24925-48G00	216A-6	31135-38B00	301A-5
		24926-48830	216A-7	31143-49040	301A-3
		24931-48G30	216A-8	31264-31300	301A-6
		24935-48810	216A-9	31281-24B10	301A-7
		24940-26D00	216A-10	31800-38G10	312A-1
		24942-26D00	216A-11	31861-38G00	312A-2
		24943-48G01	216A-12	32101-48G20	303A-1
		24944-48G00	216A-13	32102-48G20	303A-2
		24945-48810	216A-14	32371-33E00	303A-3
		24961-48G00	216A-15	32800-10G30	312A-5
		25211-35F11	212A-1	32830-48G00	312A-6
		25310-48G00	212A-3	32920-48GK0	312A-20
		25312-42F01	212A-5	32980-48G00	312A-21
		25350-06G00	212A-10	33410-35F10	312A-9
		25355-38F00	212A-11	33410-38A20	312A-10
		25381-13E00	212A-6	33410-48G00	312A-11
		25411-48G00	212A-2	33414-48G00	312A-12
		25510-48G00	212A-14	33510-20E00	312A-17
		25512-13E20	212A-15	33541-47D00	312A-18
		25520-48G00	212A-23	33542-38B00	312A-19
		25525-48G00	212A-25	33610-31G01	310A-1
		25526-47000	212A-24	33624-10D00	310A-8
		25600-48G10	212A-28	33652-08420	310A-4
		25617-03F10	212A-29	33652-16G00	310A-2
		25652-38B00	212A-27	33652-36000	310A-3
		25671-01011	212A-16	33810-48G00	310A-5
				33820-48G00	310A-7

20000

PART NO.	FIG.NO.-REF.NO.	PART NO.	FIG.NO.-REF.NO.	PART NO.	FIG.NO.-REF.NO.
33860-48G10	310A-9	36618-43410	310A-6	43550-44G00	415A-26
33960-06G10	312A-22	36858-48G00	350A-5	43550-48G00	415A-7
33970-48G00	312A-23	37000-48890	350A-15	43560-48G00	415A-12
33973-48G01	312A-24	37110-48G50	350A-16	43570-48G00	407A-11
34111-48G40	330A-4	37119-48G00	350A-17	43576-07D01	415A-14
34120-48GA0	330A-1	37146-10F00	350A-28	43585-48G10	401A-7
34124-32F00	330A-3	37200-48GA1	355A-1	43600-48G00	415A-15
34125-48G00	330A-5	37400-48G10	355A-6	43611-44G00	415A-16
34149-03G00	330A-9	37730-48G02	212A-36	43621-44G00	415A-25
34149-17E10	330A-15	37740-24A00	350A-19	43700-48G00	415A-24
34150-48G00	330A-2	37820-33D10	108A-40	43816-44G00	415A-22
34183-09F00	330A-8	37822-33D00	108A-41	44100-48GD0-YVB	420A-1
34192-48G00	330A-7	37840-25D00	350A-21	44191-48G10	420A-5
34211-48G30	330A-13	38500-48G01	350A-23	44192-48G00	420A-6
34220-48G30	330A-11	38610-03F00	334A-25	44200-39830	420A-2
34250-48G30	330A-12	38740-24A00	350A-27	44276-29G00	474A-14
34810-48G00	420A-7	38740-24X50	350A-25	44290-48G00	422A-1
34950-48G00	330A-6		350A-26	44294-48G00	422A-5
34955-13E00	330A-14			44530-48G10	420A-12
34990-48G00	330A-19				
35100-48G03-999	333A-1			44541-13E10	420A-9
35173-14G00	333A-2			44612-13600	140A-22
35601-38AE0	334A-1	40000		45100-48G01-48H	505A-1
35602-38AE0	334A-5			45148-16700	507A-3
35603-48E00	334A-14			45180-48G00	505A-7
35604-38AE0	334A-18			45213-31300	505A-5
35610-38AE1	334A-2	41100-48G40-019	401A-1	45220-47H00	505A-12
	334A-19	41541-48G00	405A-1	45280-48G00	505A-14
	334A-19	41550-48G00	405A-5	45288-14F00	505A-16
35623-38AA0	334A-3	41560-48G00	405A-9	45289-11F00	505A-17
	334A-7	41610-48G10	402A-1		
		41615-48G10	402A-5	45290-42F02	505A-2
	334A-16	41616-48G10	402A-3	45300-48G00-48H	505A-6
	334A-20	41620-48G10	402A-2	45315-48G00	505A-8
35630-38AE1	334A-6	41625-48G10	402A-6	45550-48G00-YVB	507A-1
	334A-15	41626-48G10	402A-4	45552-48G00	507A-2
35641-48G00	334A-10				
35695-17C00	334A-22	41920-48G10	401A-4	45553-48G00	507A-4
35710-48G41	339A-1	41931-48G20	401A-5	47110-48G01-YVB	433A-1
35910-41G31	339A-5	42310-48G00	407A-1	47115-16G00	405A-2
35912-41G01	339A-6	42321-03FK0	407A-3	47121-48G00	433A-7
35913-41G00	339A-7	42560-48G00	401A-8	47130-48G00	433A-17
35917-41G00	339A-8	42567-48G00	401A-9	47140-48G00-019	434A-1
35927-48G00	339A-14	43110-48G11	407A-6	47142-48G00	434A-2
35970-07F01	339A-18	43120-48G10	407A-8		
35975-48G00	339A-20	43130-24A00	530A-10	47161-19C00	433A-23
35976-48G00	339A-21		550A-22		474A-13
36118-48G00	333A-3	43511-48G10	415A-1	47210-48G01-YVB	433A-3
36385-24A30	330A-17	43521-48G01	415A-2	47221-48G00	433A-8
36610-48GD0	350A-1	43531-48G00	415A-5	47231-48GB0	433A-18
36611-16G00	350A-14	43541-48G00	415A-6	47240-48G00-019	434A-3
36611-38A00	350A-2	43550-44G00	415A-17	47250-48G00	433A-21



PART NO.	FIG.NO.-REF.NO.	PART NO.	FIG.NO.-REF.NO.	PART NO.	FIG.NO.-REF.NO.
47350-48G00-YVB	449A-1	51328-44G10	524A-4	57110-26D10	467A-1
47352-48G00	449A-7		524A-16	57210-26D00	467A-7
47353-48G01	449A-8	51351-48G10	521A-14	57216-38A00	467A-8
47361-48G00-YVB	449A-3		521A-29	57300-48G10	467A-2
47432-48G00	405A-10	51352-13A60	521A-13	57431-48G00	467A-3
47511-48G00	447A-1		521A-28	57437-10F00	537A-5
47521-48G00	447A-2	51353-24B00	524A-7	57441-08C00	467A-14
47531-48G00	447A-4	51354-48G00	524A-17	57442-08C00	467A-15
47551-48G00-YVB	449A-9	51355-48G00	524A-20	57460-14J01	467A-5
47552-48G00	449A-15	51356-10D03	524A-8	57465-17C00	467A-6
47561-48G00-YVB	449A-10	51410-48G00	524A-1	57500-48G11	467A-9
		51631-31F00	524A-10	57531-48G00	467A-11
		51643-40502	524A-11	57541-48G10	467A-19
		51644-12C00	524A-2	57560-05A10	467A-16
		51811-48GB0	452A-1	57562-41G00	467A-17
50000		51821-48GB0-YVB	452A-2	57621-48G11	467A-10
		51831-21D00	452A-11	57623-48G00	467A-12
		51831-48GB0	452A-12	58200-48G11	462A-4
		51832-48GB0	452A-16	58300-48G40	462A-7
		51833-48GB0	452A-17	58300-48G50	462A-8
51103-48G20	521A-1	51841-48GB0	452A-14	58620-48GC0	462A-9
51104-48G20	521A-16	51850-48GB1	452A-8	58634-48G00	462A-5
51110-48G20	521A-2	51860-48GB0	452A-7	58635-48G01	462A-6
51117-48G00	521A-15	51900-48810	524A-22	59100-29850	535A-9
	521A-30	51925-48G00	524A-23		535A-20
51120-48G20	521A-17	51926-48G00	524A-24	59100-35820	535A-3
51130-48G00	521A-10	53111-48G00-YVB	460A-1	59116-33D00	535A-14
	521A-25	53181-48G00	460A-3	59100-35870	535A-2
51146-48G20	521A-9	54111-48G10-12Z	530A-1	62100-48G40	535A-13
	521A-24	54711-48G00	530A-5	62600-48870	543A-1
51147-05H00	521A-7	54731-48G00	530A-2	62600-48880	543A-11
	521A-22	54741-48G00	530A-6	62621-48G00	543A-9
51148-41310	521A-8	55110-48G01	530A-9	62658-01C60	543A-17
	521A-23	55156-66310	535A-8	62658-33D00	543A-6
51153-48G00	521A-4		535A-19	62684-48G00	543A-4
	521A-19		555A-12	63110-48G00-YVB	474A-1
51156-27C00	521A-5	55411-22H00	530A-11	63113-48G00	476A-7
	521A-20		550A-23	63115-35G10	405A-14
51158-27C00	521A-3	55412-22H00	530A-11	63117-39G00	474A-3
	521A-18		550A-23	63121-48G00	476A-5
51171-48G20	521A-11	55413-22H00	530A-11	63140-48G00	475A-1
	521A-26		550A-23	63161-43E10	476A-2
51173-42F00	521A-6	56110-48G00	462A-1	63171-48G01-YVB	476A-8
	521A-21	56211-48G10	524A-12	63181-48G01-YVB	474A-10
51176-21H00	521A-12	56224-48G20	524A-13		474A-11
				63191-25C00	449A-13
51226-48G00	524A-21	56225-48G20	524A-14	63311-48G01	476A-1
51311-48G20	524A-5	56245-39G20	524A-19	63411-48G00	475A-6
51321-44G10	524A-6	56245-48G00	524A-18	63421-48G00	475A-7
51328-39G20	521A-31	56500-14G20	462A-2	64100-48820-12Z	550A-1
		56600-14G20	462A-3		

PART NO.	FIG.NO.-REF.NO.	PART NO.	FIG.NO.-REF.NO.	PART NO.	FIG.NO.-REF.NO.
59260-48G00	536A-5	64677-48G10	550A-20		
59266-48G00	536A-7	64679-48G00	550A-19		
59270-48G00	536A-6	64680-48G00	550A-16	80000	
59300-33841	555A-3	64711-48G00	550A-11		
59300-41G10-999	535A-12	64731-48G00	550A-3		
59480-48G30	536A-1	64741-48G00	550A-12	89445-61J00	449A-2
59600-10F61	537A-1	64772-48G00	550A-13		
59601-45810	537A-2	65110-48G01	550A-21		
59664-32F00	537A-10	68111-48G01	420A-3		
59666-44300	537A-3	68121-48G01	420A-4		
59667-04700	558A-12	68131-48G01	433A-2		
59667-10F00	537A-4		433A-4		
59669-05D00	558A-13	68281-47HA0	422A-2	90000	
59669-10F10	537A-6	68319-29F00	496A-1		
59671-10F00	537A-8	68322-48G00	112A-26		
60000		68332-48G00	496A-2	92213-33G00	339A-23
		68392-38B00	212A-35	94429-13E00	475A-9
		68641-19F00-YD8	474A-2	94479-35F00	447A-5
		69100-01D40-999	555A-1	94484-24F00	474A-4
		69100-01840	555A-2	95700-14F00	505A-15
61111-48G30-019	541A-1	69100-01870	555A-13	95700-41821	402A-8
61167-48G00	541A-8	69115-01D40	555A-4	95710-48G00	402A-10
61168-48G00	541A-9	69141-01D40	555A-5	99000-69471	126A-8
61169-48G00	541A-10	69142-45000	555A-6	99011-48G68-01A	496A-4
61211-48G00	541A-6	69150-01D40	555A-7		
61251-31E00	541A-4	69171-01D40	555A-16		
61280-48G01	541A-5	69172-01D40	555A-17		
61372-48G10	541A-7	69210-10F40	550A-7	00000	
62100-48G40	543A-16	69243-48G00	558A-33		
62600-48870	543A-1	69268-29G01	558A-30		
62600-48880	543A-11	69268-48G00	558A-28	01411-0820A	163A-41
62621-48G00	543A-9	69269-48G00	558A-31	01421-0665A	107A-7
62658-01C60	543A-17	69400-48G20	558A-25	01500-0612A	155A-52
62658-33D00	543A-6	69600-34820	558A-2		415A-13
62684-48G00	543A-4	69600-48G00	558A-1	01500-0625A	155A-53
63110-48G00-YVB	474A-1	69670-44B00	558A-4	01547-0535A	312A-15
63113-48G00	476A-7	69672-00B20	558A-8	01547-0612A	108A-23
63115-35G10	405A-14	69674-00B20	558A-9		108A-33
63117-39G00	474A-3	69686-34200	558A-7		558A-15
63121-48G00	476A-5	69689-04A00	558A-14		558A-32
63140-48G00	475A-1	69691-00A00	558A-3	01547-0616B	185A-8
63161-43E10	476A-2	69692-19A00	558A-6	01547-0620A	187A-5
	476A-8	69693-05A00	558A-5		201A-37
63171-48G01-YVB	474A-10	69721-48G10	550A-9		212A-32
63181-48G01-YVB	474A-11	69730-48G00	558A-18	01547-0625A	187A-6
63191-25C00	449A-13	69732-48G00	558A-19		536A-2
63311-48G01	476A-1	69740-48G00	558A-11	01547-0630A	108A-43
63411-48G00	475A-6	69750-48G00	558A-16		116A-3
63421-48G00	475A-7			01547-0635A	116A-18
64100-48820-12Z	550A-1				180A-13

PART NO.	FIG.NO.-REF.NO.	PART NO.	FIG.NO.-REF.NO.	PART NO.	FIG.NO.-REF.NO.
01547-0645A	108A-5 108A-46 116A-19	03212-0516B 03541-0510A	155A-23 334A-13 452A-3	08310-0006A 08310-0010A 08313-20067	212A-33 334A-24 127A-17
01547-0655A	108A-6 187A-26	03541-0512A 03541-0516A	339A-4 330A-10	08316-1005A 08316-1006A	339A-19 339A-13
	401A-10 433A-22 452A-9 462A-10 558A-17		330A-18 433A-6 447A-3 449A-6 474A-17	08316-1008A 08319-2106A 08319-3106A	339A-17 475A-5 415A-8 467A-4 107A-9
01550-0612B 01550-0616A 01550-0620A	558A-29 558A-34 507A-5 312A-16 127A-28	03541-0520A 04111-2015A 04211-09149 04211-09189	189A-9 558A-24 108A-47 112A-14 112A-6	08319-3106B 08319-3108A 08319-3110A	505A-4 505A-10 467A-13 163A-46 108A-39
01550-0625A 01550-0630A 01550-0812A	350A-22 127A-29 350A-24 475A-2 536A-8	04211-13189 04221-04069 04221-04089	104A-8 105A-9 107A-8 116A-20 120A-10	08319-3114A 08322-0106A	401A-3 543A-7 543A-10 543A-15 558A-23
01550-0816A 01550-0825A 01550-0845A 01550-0895A	420A-16 452A-10 220A-41 163A-44 216A-24	06111-07004 07120-0516A 07120-0610A	212A-4 415A-21 415A-30 163A-45 163A-25	08331-31109 08331-3112A 08331-3114A 08331-41289 08332-1106A	116A-21 212A-34 212A-22 122A-10 415A-11
01550-1025A 01560-0625A 01580-0830A 02112-0510B 02112-0530A	220A-42 312A-25 401A-6 355A-3 355A-8	07120-0612A 07120-0616A 07120-0625A 07120-0670A	172A-22 505A-11 407A-9 558A-10 104A-9	08361-2508A 08361-3506A 09100-06099	415A-23 415A-32 163A-47 301A-10 180A-11
02112-0535B 02112-0545B	355A-4 355A-2 355A-7 180A-7 537A-7	07130-0510A 07130-0612A	303A-8 104A-20 105A-20 187A-32 303A-9	09103-06026 09103-06201 09103-06212 09103-06213	104A-2 105A-2 189A-6 301A-9 112A-3
02122-0630A 02142-05127	505A-13 415A-18 415A-27 476A-4	07130-0616A 07130-0620A 07130-06207 07130-0625A	330A-20 350A-18 467A-18 537A-9 127A-30	09103-06222 09103-06225 09103-06238	112A-10 104A-10 105A-10 112A-12 112A-11
02142-0516A 02142-0612A	339A-16 405A-6 405A-7 339A-22 312A-8	07130-0850A 07130-0865A 07130-0885A 07130-1035B 08143-62057	108A-7 108A-8 108A-9 401A-2 550A-5	09103-06261 09103-06274 09103-06280 09103-06307 09103-08071	112A-4 187A-30 187A-31 476A-6 541A-2
02162-0620C 03111-0625A 03211-0416A 03212-0516B	405A-8 312A-7 140A-21 339A-10 155A-7	08211-06141 08211-10221 08211-14341 08211-30403 08310-0006A	212A-13 122A-9 543A-20 206A-39 201A-38	09103-08305 09103-08365 09103-08412 09103-08415	105A-6 163A-34 415A-33 104A-6 105A-7

PART NO.	FIG.NO.-REF.NO.	PART NO.	FIG.NO.-REF.NO.	PART NO.	FIG.NO.-REF.NO.
09103-10041-A05 09103-10110 09103-10118 09103-10268 09103-10337	108A-37 108A-3 108A-38 415A-3 415A-4	09136-06105 09136-06147 09139-06028 09139-06029	405A-3 212A-7 112A-23 163A-18 433A-12	09160-25056 09160-54001 09161-10009 09164-06006	201A-17 220A-18 536A-4 558A-26 180A-10
09103-10392 09103-10396 09103-10406 09103-12013	535A-23 104A-7 105A-8 108A-4 127A-15	09139-06089 09139-06122 09139-06126	402A-9 163A-37 433A-9 433A-19 433A-20	09164-10008 09164-11005 09164-24008 09167-27003 09167-30008	220A-7 124A-7 201A-18 206A-8 206A-29
09103-12042 09103-12084 09103-12109 09103-14001	543A-18 206A-41 216A-2 550A-10 303A-4	09139-06131 09139-06139 09139-06144	434A-7 449A-11 460A-2 474A-5 185A-11	09168-06023	206A-30 104A-11 105A-11 108A-10 108A-32
09103-14016 09106-05023 09106-06068 09106-06075	543A-14 212A-38 112A-15 108A-20 163A-35	09139-06146 09139-06152 09139-06154 09139-06155	334A-11 422A-3 155A-48 155A-54 155A-49	09168-06025	112A-5 112A-13 116A-2 127A-16 180A-9
09106-06099 09106-06122 09106-06123 09106-08160	124A-5 303A-10 112A-16 530A-8 550A-8	09139-06190 09139-06191 09139-10003 09140-06025 09148-05045	474A-8 452A-5 402A-7 212A-30 452A-4	09168-08016 09168-10002 09168-10031 09168-12002 09168-12017	108A-11 116A-8 108A-12 108A-30 187A-28
09106-08165 09106-08182 09106-08183 09106-08190 09106-08191	163A-36 475A-32 475A-4 122A-5 124A-6	09148-06018 09159-10026 09159-12056 09159-16003	507A-6 220A-6 543A-19 216A-16 220A-16	09168-14002 09168-16002	108A-28 116A-4 220A-37 108A-26 112A-17
09106-10087 09106-10093 09108-10106 09111-06041 09111-06085	216A-25 555A-18 220A-15 212A-12 187A-22	09159-22007 09159-24010 09160-05501 09160-06077	550A-14 201A-15 339A-2 339A-11 339A-15	09169-06062 09169-06075 09180-06001	116A-6 112A-24 420A-15 433A-14 185A-9
09111-06091 09111-06094 09111-06107 09111-06242	104A-19 105A-19 460A-4 475A-8 476A-3	09160-06141 09160-06152 09160-08146 09160-10020 09160-10123	163A-19 185A-10 163A-38 201A-29 433A-10	09180-06195 09180-06278 09180-06286 09180-06289 09180-06290	312A-13 339A-12 474A-6 405A-4 185A-12
09111-10058 09116-06192 09118-06097 09119-06049 09120-06008	407A-2 420A-13 185A-7 550A-18 104A-23	09160-10501 09160-12011 09160-12045 09160-14021	334A-23 212A-31 206A-42 216A-3 303A-5	09180-06319 09180-06329 09180-06331 09180-08156 09180-12138	433A-13 420A-8 163A-20 163A-39 122A-6
09128-06013 09132-03008 09134-06015 09136-05062	105A-23 312A-4 330A-16 201A-28 333A-6	09160-15045 09160-16029 09160-16040 09160-22081 09160-25056	201A-30 220A-17 216A-17 550A-15 201A-16	09180-14014 09180-14018 09181-10158 09181-10167 09181-14167	543A-13 543A-8 116A-16 180A-12 212A-17

5



PART NO.	FIG.NO.-REF.NO.	PART NO.	FIG.NO.-REF.NO.	PART NO.	FIG.NO.-REF.NO.
09181-20251	206A-31	09263-20087	206A-34	09285-34011	206A-14
09181-24005	206A-32	09263-20090	543A-3	09289-06003	126A-15
09181-25160	178A-3	09263-25018	212A-9	09289-85001	220A-34
09181-27014	206A-9	09263-25059	541A-3	09319-12019	550A-2
09181-40011	220A-25	09263-32012	216A-18	09320-06016	452A-15
09181-40013	220A-26	09263-32020	201A-19	09320-07017	434A-6
09181-40014	220A-27	09263-40016	220A-32	09320-08001	420A-14
09181-40176	220A-28	09265-25038	524A-9	09320-08013	104A-17
09181-40182	220A-29	09265-30020	524A-3		105A-17
09181-40212	220A-30	09267-25012	206A-12		422A-4
09200-06068	558A-22	09280-04004	107A-5	09320-08018	433A-5
09206-08001	104A-3		108A-16		434A-9
	105A-3	09280-05007	108A-21	09320-08021	433A-15
09206-12006	122A-7	09280-06008	216A-19	09320-08028	155A-50
09208-08017	415A-19	09280-08012	108A-14		434A-5
	415A-28	09280-12009	108A-15		447A-6
09208-08019	415A-9	09280-13004	116A-15		474A-16
09247-10008	116A-9	09280-14011	407A-7	09320-08047	447A-8
09247-12006	108A-31	09280-17003	101A-12	09320-08066	185A-13
09247-14002	220A-38		108A-25	09320-08070	433A-16
09247-14036	116A-5	09280-18008	187A-4	09320-08080	163A-21
09248-14012	108A-29		187A-33	09320-08081	163A-22
09248-16012	108A-27	09280-22016	101A-13	09320-09016	155A-2
	112A-18		116A-24		155A-18
	116A-7	09280-24003	301A-8		334A-12
	220A-43	09280-24010	216A-20		449A-12
09250-06009	524A-15	09280-26005	187A-34		474A-9
09250-10015	447A-7		212A-37	09320-09039	333A-8
09259-30005	112A-19	09280-26006	112A-20		452A-6
09259-30007	220A-39		220A-40	09320-09501	112A-25
09261-04009	116A-17	09280-64003	101A-14		433A-11
09261-06003	124A-9		178A-4		434A-8
	206A-10		220A-21	09320-09505	333A-9
	206A-33	09280-78003	216A-21	09320-09506	333A-7
09262-12001	122A-8	09280-80001	550A-17	09320-10045	474A-7
09262-25006	212A-8	09280-92003	216A-22	09320-10051	185A-14
09262-25061	530A-3	09282-10012	201A-34	09320-10054	339A-3
09262-25072	550A-4	09283-06010	201A-35	09320-12049	163A-40
09262-25160	124A-10	09283-10004	180A-4	09321-10011	505A-3
09262-28023	220A-19	09283-14005	212A-19		505A-9
09262-85001	220A-31	09283-30026	220A-3	09329-10007	420A-8
09263-10014	201A-31	09283-38011	216A-23	09352-50901-00B	187A-20
09263-12027	201A-32	09283-38026	220A-33	09360-10062	536A-3
09263-14027	212A-18	09283-47002	220A-22		558A-27
09263-15003	201A-33	09284-20003	543A-5	09380-27004	206A-15
09263-20062	220A-20	09285-10004	201A-36	09380-27006	206A-16
09263-20074	543A-2	09285-20006	124A-12		206A-17
	543A-12		206A-13	09380-30009	206A-35
09263-20087	124A-11	09285-32004	530A-4		206A-36
	206A-11		550A-6		206A-37

PART NO.	FIG.NO.-REF.NO.	PART NO.	FIG.NO.-REF.NO.	PART NO.	FIG.NO.-REF.NO.
09381-23003	120A-7	09409-08329	405A-11		
09381-40003	220A-4	09409-08330	405A-12		
09390-62012	124A-13	09420-05007	303A-7		
	206A-18	09440-05005	415A-20		
09390-80004	206A-38		415A-29		
09401-08411	187A-23	09440-07001	124A-14		
09401-12404	558A-21	09440-17009	212A-20		
09401-12414	187A-35	09440-30008	220A-5		
09401-13102	140A-20	09443-06077	350A-20		
09401-13409	155A-40	09443-11030	407A-10		
09401-13417	558A-20	09443-14069	407A-4		
09401-14301	155A-10	09443-19012	407A-5		
	155A-26	09444-20001	212A-21		
09401-15101	155A-11	09448-14047	415A-10		
	155A-27	09471-12045	334A-4		
	155A-37		334A-8		
	189A-7		334A-17		
09401-16407	178A-7		334A-21		
09401-18304-A05	189A-8	09471-12060	333A-4		
09401-20405	108A-50	09471-12140	339A-9		
	155A-51	09471-12216	333A-5		
	187A-36	09481-10501	350A-3		
09402-28513	187A-37	09481-15501	350A-4		
09402-32512	187A-38	09481-30501	312A-3		
09402-38512	187A-38	09482-00410	104A-21		
09402-57511	163A-7				
	163A-24	09482-00411	105A-21		
09402-67501	163A-11		104A-21		
	163A-23	09482-00412	105A-21		
09404-06429	339A-24		104A-21		
	350A-6		105A-21		
	350A-7	09482-00413	104A-21		
09404-06433	312A-14		105A-21		
09404-06434	420A-11	09482-00414	104A-21		
09404-10415	339A-25		105A-21		
09407-14403	350A-8	09482-00415	104A-21		
09407-14407	303A-6				
	350A-9	09493-80005	105A-21		
	355A-5		107A-6		
	355A-9		108A-17		
09407-17403	350A-10	09800-21055	108A-18		
			405A-13		
09407-18402	350A-11	09816-00059	507A-7		
	558A-35				
09407-19401	350A-12				
09407-25401	187A-39				
	350A-13				
09407-30402	420A-10				
09408-00244	462A-11				
09409-06314-5PK	452A-13				
	474A-15				
09409-06328	449A-5				

## SUZUKI **VZR1800L4** PARTS CATALOGUE

---

© 2014 Suzuki Motor Corporation. All rights reserved.

No part of this document may be modified, reproduced, distributed, sold or transmitted in any form or by any means, electronic or mechanical, for any purpose, without the express written permission of Suzuki Motor Corporation.

**Moto Map**

Sales Network

---

**1**

INFORMATION  
ILLUSTRATION INDEX

**2**

ENGINE  
TRANSMISSION

**3**

ELECTRICAL

**4**

BODY

**5**

PARTS NUMBER INDEX

