

SUZUKI
PARTS CATALOGUE

GSX-R1000L4

(GT78A)



Way of Life!

INFORMATION
ILLUSTRATION INDEX

1

ENGINE
TRANSMISSION

2

ELECTRICAL

3

BODY

4

PARTS NUMBER INDEX

5

PREFACE

When it becomes necessary to replace parts on SUZUKI MOTORCYCLES, always use SUZUKI GENUINE PARTS which have passed a strict inspection which guarantees quality and performance.

This parts catalogue covers the list of all service parts for SUZUKI GSX-R1000L4.

INSTRUCTIONS FOR QUOTING THE CATALOGUE

1. DIMENSIONS

Dimensions of the parts in this catalogue are indicated in unit millimeters.

2. ABBREVIATIONS

Abbreviations used in this catalogue are as follows:

AR	: As required	NT	: Number of teeth
ASSY	: Assembly	OPT	: Optional
E.No.	: Engine number	OS	: Over size
F.No.	: Frame number	STD	: Standard
D	: Diameter of material	T	: Thickness
ID	: Inside diameter	US	: Under size
OD	: Outside diameter	W	: Width
L	: Length	E28	: Canada specification
LH	: Left hand side	E3	: Federal specification
RH	: Right hand side	E33	: California specification
-100045	: Up to F.NO.100045		
100046-	: From F.NO.100046		

12 x 34 x 5.6 Figures in the description column
show the dimensions of parts.

ID OD T(or W, L)

3. INNER PARTS OF ASSEMBLY

Part name with a dot (.) in front as shown in the description column indicates the component of the assembly also available individually.

4. MODIFICATION NOTICE

A parts bulletin will be sent to you on all occasions when changes in parts occur, including interchangeable modifications between new parts and old ones.

5. NOTE

5-1. There are some different parts from those of production models among spare parts for the administrative reasons and common use of them with other models.

5-2. In respect of rubber hoses and vinyl tubes, please be sure to use them by cutting off according to the length mentioned on parts catalogue or what is actually required on the vehicle.

5-3. Note that the drawings on the illustration page are for ready reference of spare parts number, not to be used as an assembly manual.
When assembling, use "SUZUKI SERVICE MANUAL".

6. SERIAL FRAME NUMBER

GSX-R1000L4 : JS1GT78A E2100001 ~

PREFACE

Quand il devient nécessaire de remplacer des pièces sur SUZUKI MOTOCYCLETTES toujours utiliser les PIÈCES D'ORIGINE SUZUKI qui ont été soumises à des contrôles de qualité sévères leur garantissant qualité et performance impeccables.

Ce catalogue de pièces détachées couvre la liste de toutes les pièces de rechange pour SUZUKI GSX-R1000L4.

INSTRUCTIONS POUR UTILISER LE CATALOGUE

1. DIMENSIONS

Les dimensions des pièces dans ce catalogue sont indiquées en unités de millimètres.

2. ABBREVIATIONS

Les abréviations utilisées dans ce catalogue sont les suivantes :

AR	: Comme requis	NT	: Nombre de dents
ASSY	: Assemblage	OPT	: Sur option
E. No.	: Numéro du moteur	OS	: Sur-dimensionné
F. No.	: Numéro du châssis	T	: Epaisseur
ID	: Diamètre intérieur	US	: Sous-dimensionné
OD	: Diamètre extérieur	W	: Largeur
L	: Longueur	E28	: Spécifications du Canada
LH	: Côté gauche	E3	: Spécifications fédérales des Etats Unis
RH	: Côté droit	E33	: Spécifications de la Californie

~100045 : Jusqu'à F. NO. 100045

100046~ : Depuis F. NO. 100046

12 x 34 x 5,6 Les chiffres dans la colonne remarques montrent les dimensions des pièces comme suit.

ID OD T(or W, L)

3. PIÈCES INTERNES DE L'ASSEMBLAGE

Les numéros de pièces qui comportent un point (.) avant la désignation de pièce détachée indique la pièce interne se rapportant à l'assemblage.

4. AVIS DE MODIFICATION

Un bulletin de pièces détachées vous sera envoyé à tout moment opportun quand des changements de pièces ont lieu, y compris les modifications de pièces interchangeable entre les nouvelles et anciennes pièces.

5. A NOTER

- 5-1. Il existe certaines pièces différentes de celles de rechange pour les modèles de production vu des raisons administratives et dont l'usage est commun avec celles d'autres modèles.
- 5-2. Concernant les durites en caoutchouc et les tuyaux en vinyle, ne pas manquer de les couper à la bonne longueur comme indiqué dans le catalogue des pièces détachées ou selon ce qui est utile pour le véhicule affecté.
- 5-3. Noter que les dessins à la page d'illustration servent à titre de référence pour les numéros de pièces détachées, et non pas comme référence pour l'assemblage. Pour cette dernière opération, se reporter au "MANUEL D'ENTRETIEN SUZUKI".

6. NUMERO DE SERIE DU CADRE

GSX-R1000L4 : JS1GT78A E2100001 ~

COLOR CHART
TABLEAU DES COULEURS

COLOR NO. NO DE COULEUR	COLOR DESCRIPTION DESCRIPTION DE COULEUR	COLOR NO. NO DE COULEUR	COLOR DESCRIPTION DESCRIPTION DE COULEUR
AR4	YVB,PGZ	6BY	BLACK
AR9	YWW,019		
ASC	YVB,YWW,YSF,PRW,YCF,YKV,YMD,YUV		
DW2	P3H,6BY		
HVR	YKV,YMD,YUV		
PGZ	MET.MAT FIBROIN GRAY		
PRW	MET.MAT TRITON BLUE		
P3H	BLACK (LEATHER)		
YAP	SHADOW BLACK METALLIC		
YCF	LUMINOUS ORANGE		
YGS	GLAS SHINE BLACK		
YHG	00RT GRAY METALLIC		
YKV	BLACK METALLIC NO.2		
YMD	MISTIC SILVER METALLIC		
YSF	BLUE METALLIC		
YUS	MAT MOON SILVER METALLIC		
YUV	MAT MISTIC SILVER METALLIC		
YVB	GLASS SPARKLE BLACK		
YWW	PEARL GLACIER WHITE		
019	BLACK		
5ES	OFF BLACK		
5PK	BLACK		

MILLIMETER INCH CONVERSION CHART
TABLEAU DE CONVERSION DE MILLIMETRES POUCES

	0	1	2	3	4	5	6	7	8	9
00	.000	.039	.079	.118	.157	.197	.236	.276	.315	.354
10	.394	.433	.472	.512	.551	.591	.630	.669	.709	.748
20	.787	.827	.866	.906	.945	.984	1.024	1.063	1.102	1.142
30	1.181	1.220	1.260	1.299	1.339	1.378	1.417	1.457	1.496	1.535
40	1.575	1.614	1.654	1.693	1.732	1.772	1.811	1.850	1.890	1.929
50	1.969	2.008	2.047	2.087	2.126	2.165	2.205	2.214	2.283	2.323
60	2.362	2.402	2.441	2.480	2.520	2.559	2.598	2.638	2.677	2.717
70	2.756	2.795	2.835	2.874	2.913	2.953	2.992	3.031	3.071	3.110
80	3.150	3.189	3.228	3.268	3.307	3.346	3.386	3.425	3.465	3.504
90	3.543	3.583	3.622	3.661	3.701	3.740	3.780	3.819	3.858	3.898

How to read
Mode de lecture

	0	1	2	3	4
00	---	---	---	---	---
10	---	---	---	---	---
20	---	---	---	0.906	---
30	---	---	---	---	---

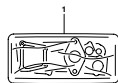
23 millimeters equal 0.906 inch
23 millimètres égalent 0.906 pouce

Contents are subject to change without notice or obligation.

Les matières traitées sont susceptibles d'être modifiées sans préavis obligation de notre part.

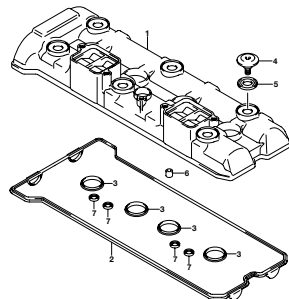


FIG.101A GASKET SET (1-B-2)



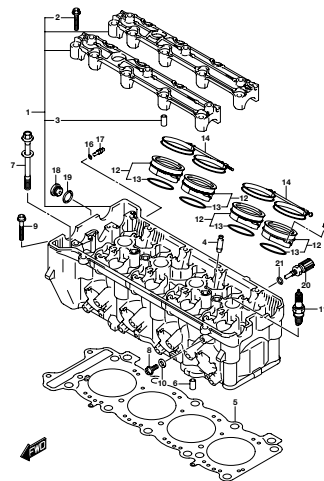
GSX-R1000L4_038_101A
GASKET SET

FIG.102A CYLINDER HEAD COVER (1-B-3)



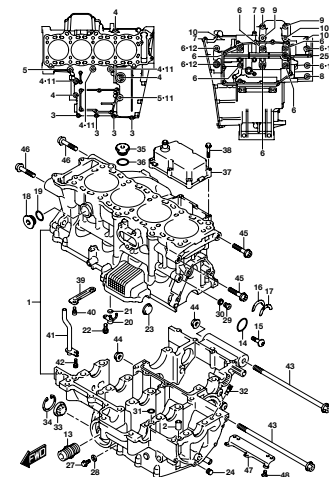
GSX-R1000L4_038_102A
CYLINDER HEAD COVER

FIG.103A CYLINDER HEAD (1-B-4)



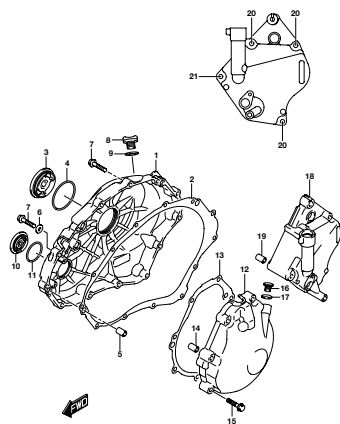
GSX-R1000L4_038_103A
CYLINDER HEAD

FIG.108A CRANKCASE (1-B-5)



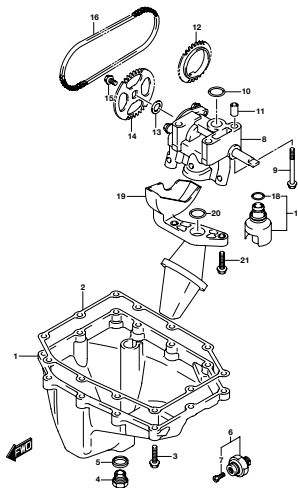
GSX-R1000L4_038_108A
CRANKCASE

FIG.112A CRANKCASE COVER (1-B-7)



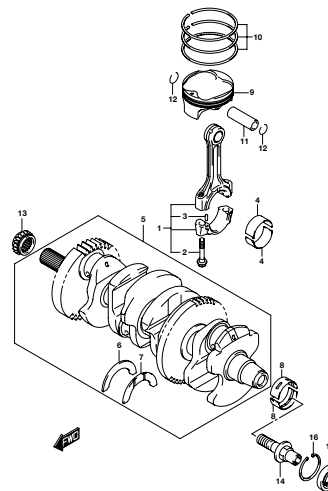
GSX-R1000L4_038_112A
CRANKCASE COVER

FIG.116A OIL PAN/OIL PUMP (1-B-8)



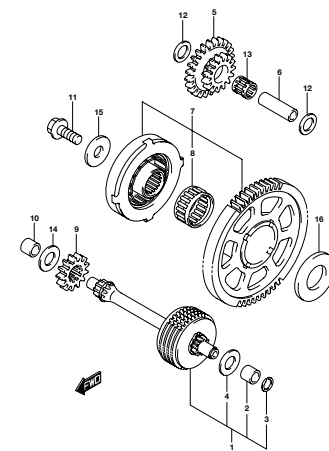
GSX-R1000L4_038_116A
OIL PAN/OIL PUMP

FIG.120A CRANKSHAFT (1-B-9)



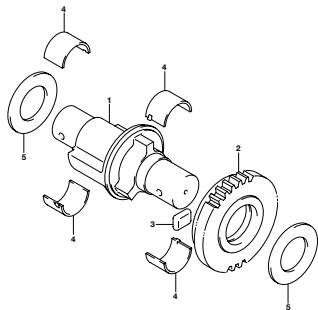
GSX-R1000L4_038_120A
CRANKSHAFT

FIG.122A STARTER CLUTCH (1-B-10)



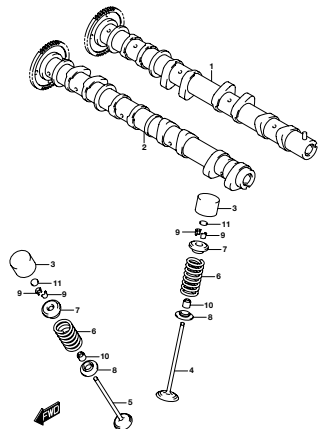
GSX-R1000L4_038_122A
STARTER CLUTCH

FIG.124A CRANK BALANCER (1-B-11)



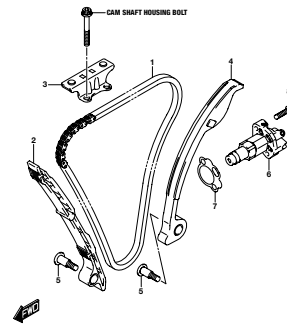
GSX-R1000L4_G08_124A
CRANK BALANCER

FIG.126A CAMSHAFT/VALVE (1-B-12)



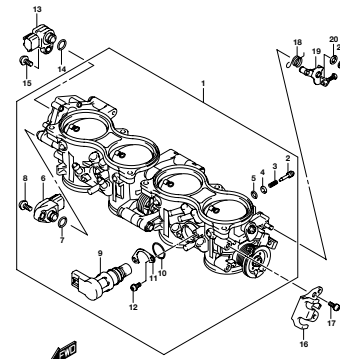
GSX-R1000L4_G08_126A
CAMSHAFT/VALVE

FIG.127A CAM CHAIN (1-B-14)



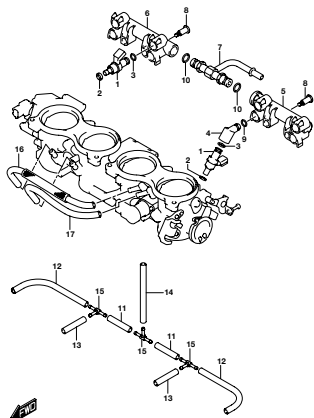
GSX-R1000L4_G08_127A
CAM CHAIN

FIG.140A THROTTLE BODY (1-B-15)



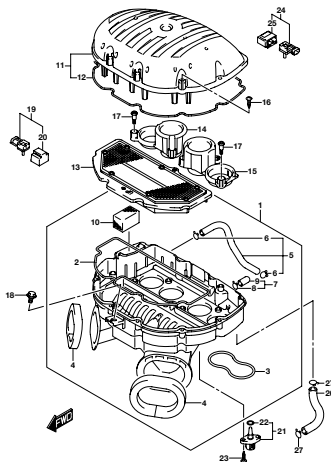
GSX-R1000L4_G08_140A
THROTTLE BODY

FIG.142A THROTTLE BODY HOSE/JOINT (1-C-2)



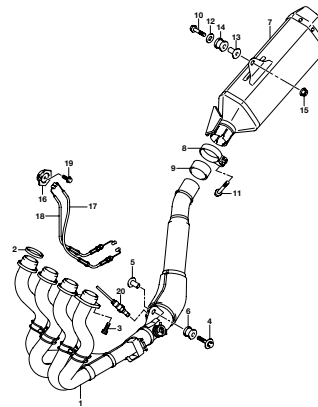
GSX-R1000L4_G08_142A
THROTTLE BODY HOSE/JOINT

FIG.155A AIR CLEANER (1-C-3)



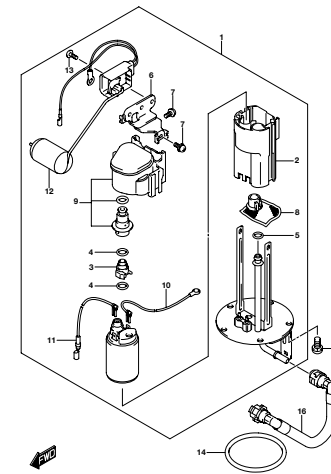
GSX-R1000L4_G08_155A
AIR CLEANER

FIG.163A MUFFLER (1-C-4)



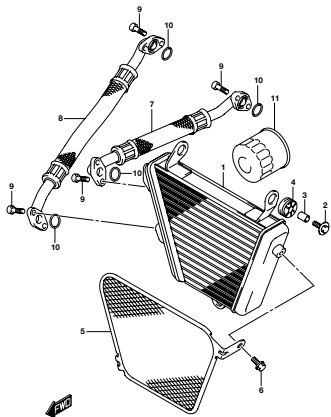
GSX-R1000L4_G08_163A
MUFFLER

FIG.172A FUEL PUMP (1-C-5)



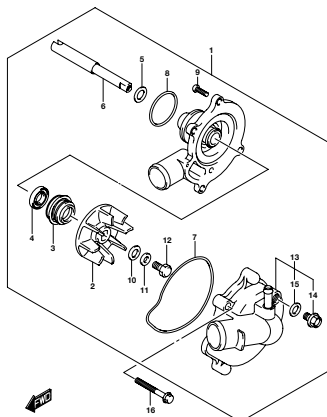
GSX-R1000L4_G08_172A
FUEL PUMP

FIG.178A OIL COOLER (1-C-6)



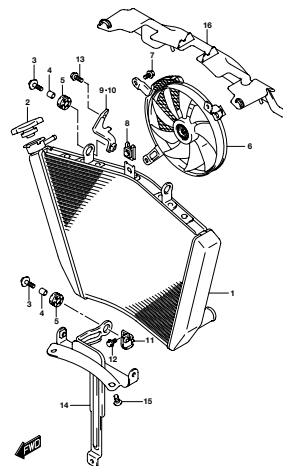
GSX-R1000L4_G02L_178A
OIL COOLER

FIG.180A WATER PUMP (1-C-7)



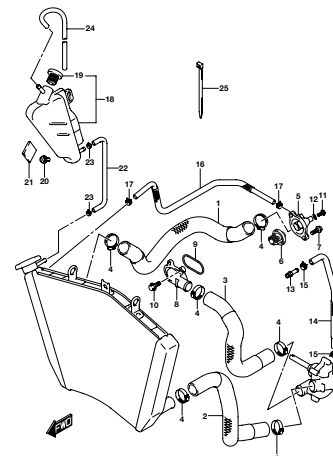
GSX-R1000L4_G02L_180A
WATER PUMP

FIG.185A RADIATOR (1-C-8)



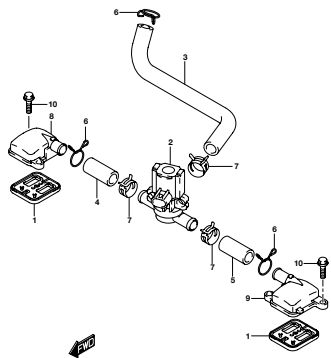
GSX-R1000L4_G02L_185A
RADIATOR

FIG.187A RADIATOR HOSE (1-C-9)



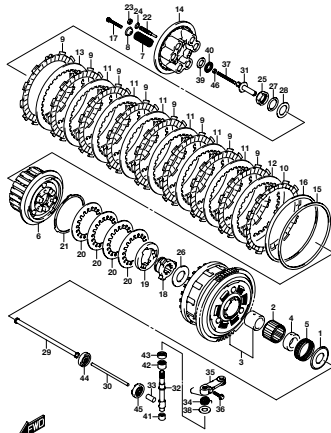
GSX-R1000L4_G02L_187A
RADIATOR HOSE

FIG.189A 2ND AIR (1-C-10)



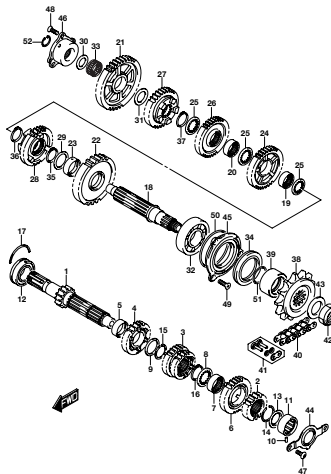
GSX-R1000L4_G02L_189A
2ND AIR

FIG.201A CLUTCH (1-C-11)



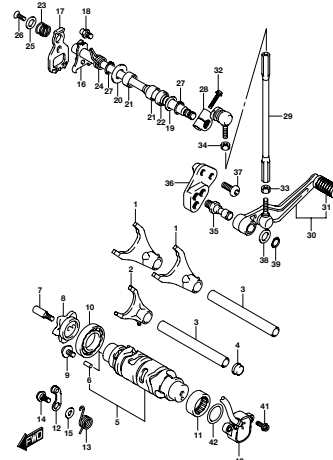
GSX-R1000L4_G02L_201A
CLUTCH

FIG.206A TRANSMISSION (1-C-13)



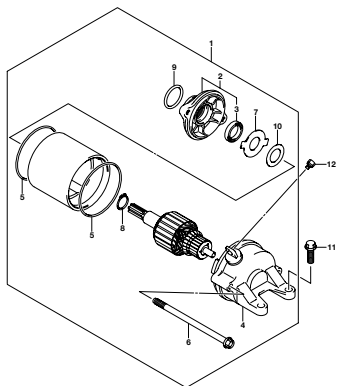
GSX-R1000L4_G02L_206A
TRANSMISSION

FIG.212A GEAR SHIFTING (1-C-15)



GSX-R1000L4_G02L_212A
GEAR SHIFTING

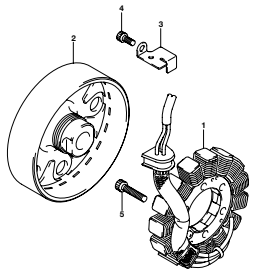
FIG.301A STARTING MOTOR (1-D-3)



GSK-R1100L4_02B_301A

STARTING MOTOR

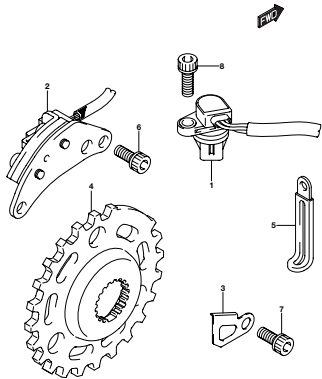
FIG.304A GENERATOR (1-D-4)



GSK-R1100L4_02B_304A

GENERATOR

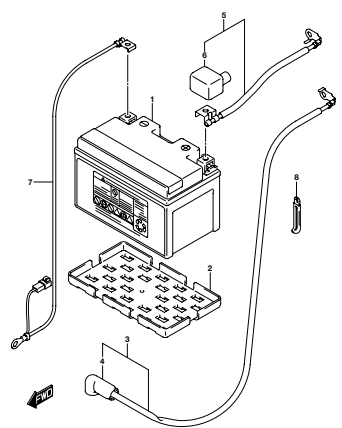
FIG.306A SIGNAL GENERATOR (1-D-5)



GSK-R1100L4_02B_306A

SIGNAL GENERATOR

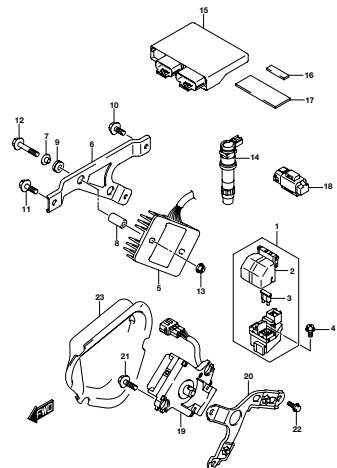
FIG.310A BATTERY (1-D-6)



GSK-R1100L4_02B_310A

BATTERY

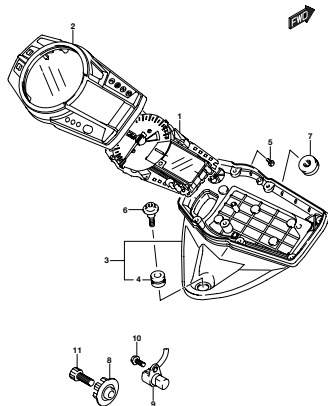
FIG.312A ELECTRICAL (1-D-7)



GSK-R1100L4_02B_312A

ELECTRICAL

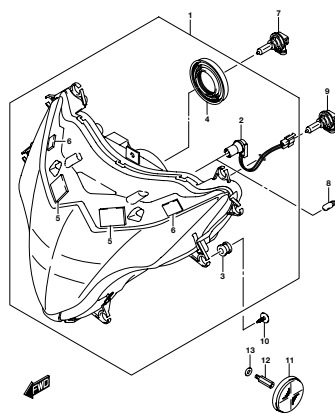
FIG.330A SPEEDOMETER (1-D-8)



GSK-R1100L4_02B_330A

SPEEDOMETER

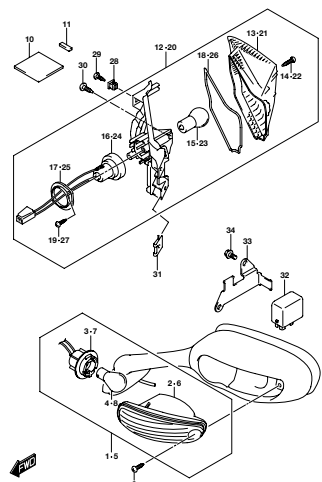
FIG.333A HEADLAMP (1-D-9)



GSK-R1100L4_02B_333A

HEADLAMP

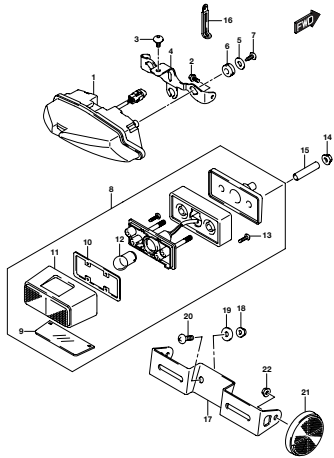
FIG.334A TURN SIGNAL LAMP (1-D-10)



GSK-R1100L4_02B_334A

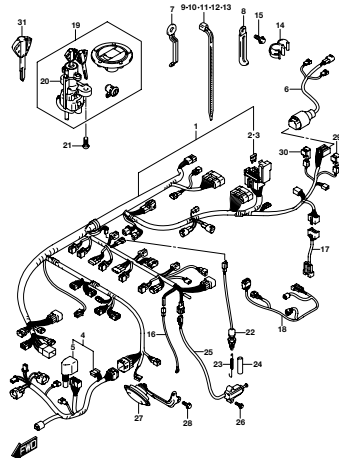
TURN SIGNAL LAMP

FIG.339A REAR COMBINATION LAMP (1-D-12)



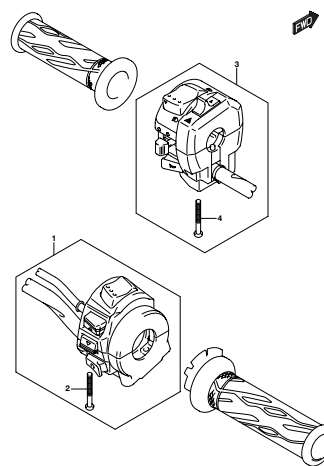
GSX-R1000L4_028_339A
REAR COMBINATION LAMP

FIG.350A WIRING HARNESS (1-D-13)



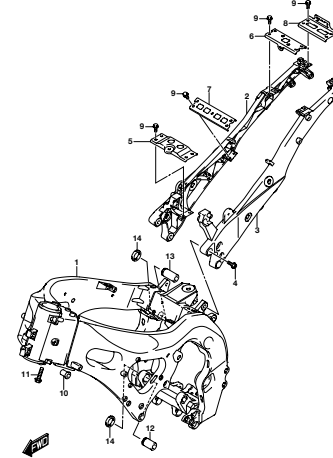
GSX-R1000L4_028_350A
WIRING HARNESS

FIG.355A HANDLE SWITCH (1-D-14)



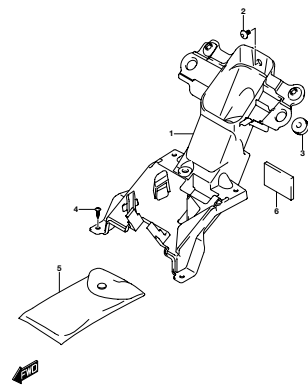
GSX-R1000L4_028_355A
HANDLE SWITCH

FIG.401A FRAME (1-D-15)



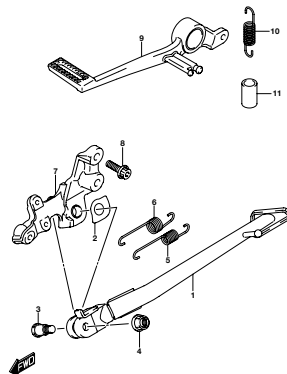
GSX-R1000L4_028_401A
FRAME

FIG.406A HOLDER (1-E-2)



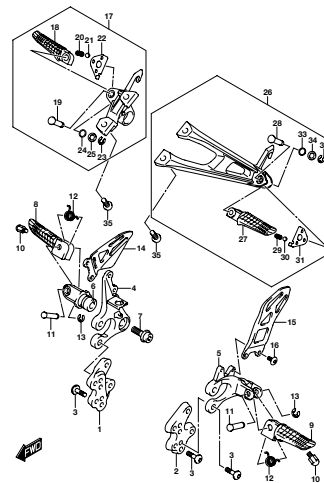
GSX-R1000L4_028_406A
HOLDER

FIG.407A STAND (1-E-3)



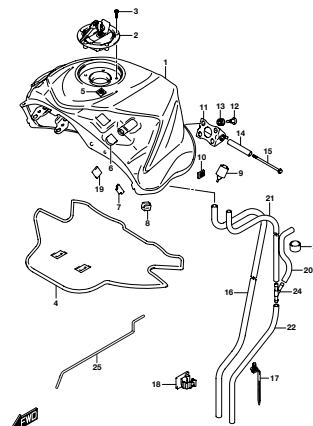
GSX-R1000L4_028_407A
STAND

FIG.415A FOOTREST (1-E-4)



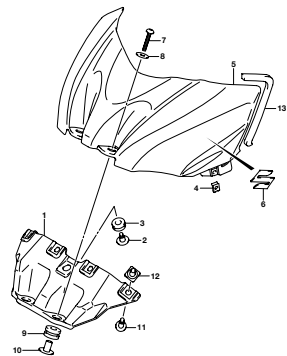
GSX-R1000L4_028_415A
FOOTREST

FIG.420A FUEL TANK (1-E-6)



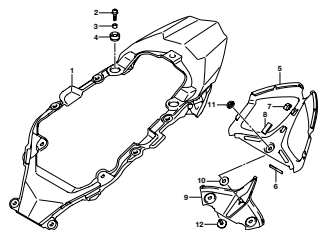
GSX-R1000L4_028_420A
FUEL TANK

FIG.422A FUEL TANK FRONT COVER (1-E-7)



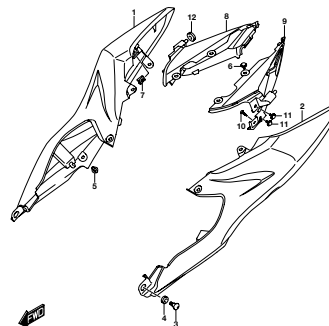
GSK-R1000L4_028_422A
FUEL TANK FRONT COVER

FIG.443A FRAME CENTER COVER (1-E-8)



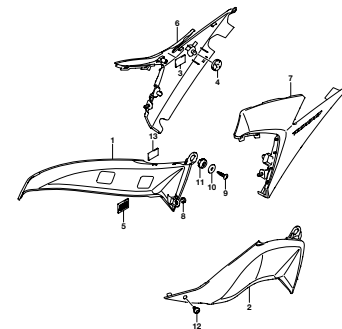
GSK-R1000L4_028_443A
FRAME CENTER COVER

FIG.445A FRAME COVER (1-E-9)



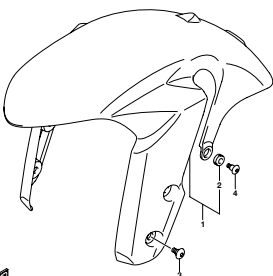
GSK-R1000L4_028_445A
FRAME COVER

FIG.448A SIDE LOWER COVER (1-E-10)



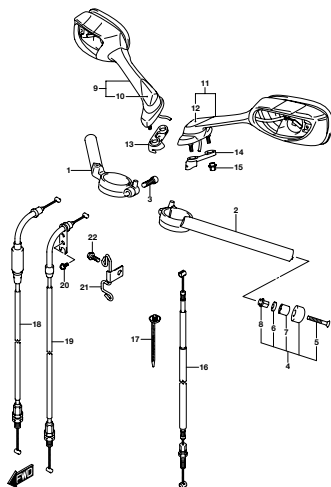
GSK-R1000L4_028_448A
SIDE LOWER COVER

FIG.460A FRONT FENDER (1-E-11)



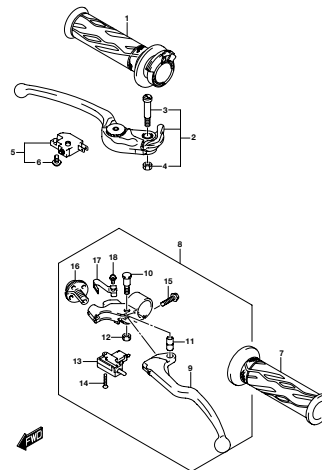
GSK-R1000L4_028_460A
FRONT FENDER

FIG.462A HANDLEBAR (1-E-12)



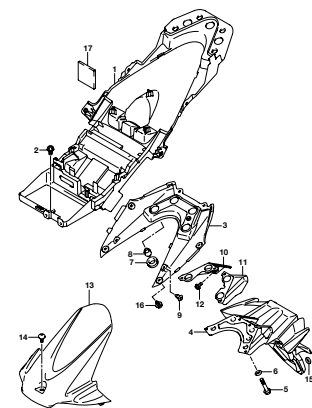
GSK-R1000L4_028_462A
HANDLEBAR

FIG.467A HANDLE LEVER (1-E-13)



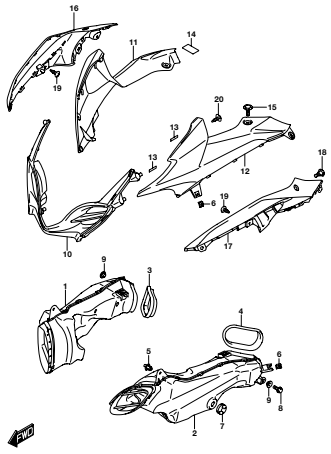
GSK-R1000L4_028_467A
HANDLE LEVER

FIG.474A REAR FENDER (1-E-14)



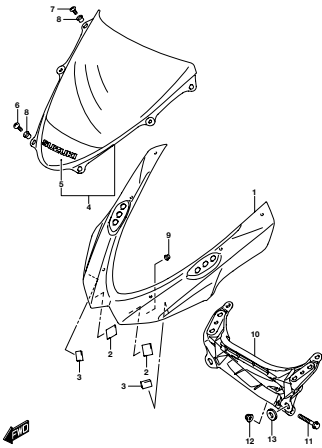
GSK-R1000L4_028_474A
REAR FENDER

FIG.480A AIR INTAKE PIPE (1-E-15)



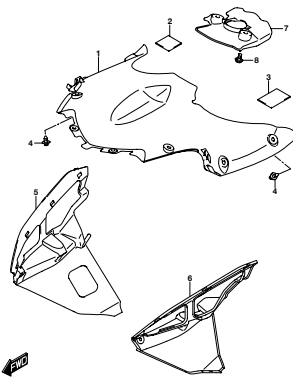
GSX-R1000L4_G02L_480A
AIR INTAKE PIPE

FIG.481A COWLING BODY (1-F-2)



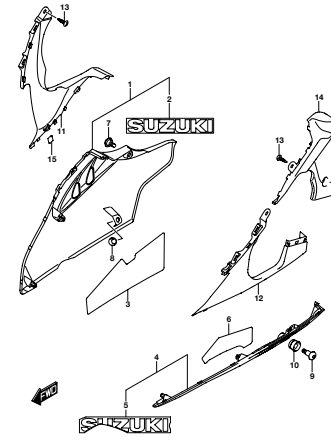
GSX-R1000L4_G02L_481A
COWLING BODY

FIG.482A COWLING INSTALLATION PARTS (1-F-3)



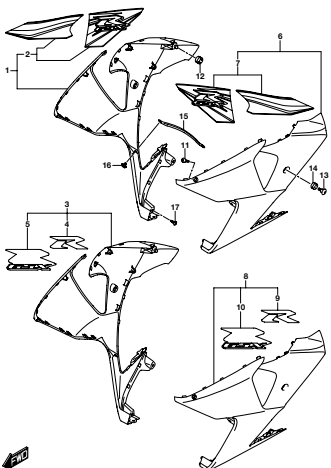
GSX-R1000L4_G02L_482A
COWLING INSTALLATION PARTS

FIG.483A UNDER COWLING (1-F-4)



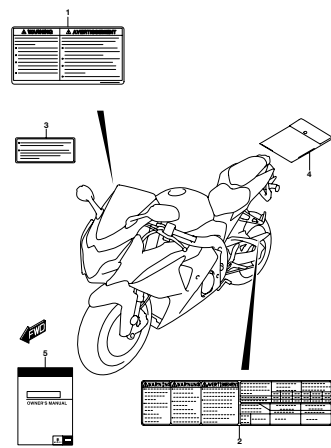
GSX-R1000L4_G02L_483A
UNDER COWLING

FIG.485A SIDE COWLING (1-F-5)



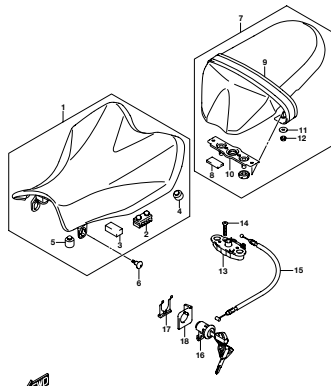
GSX-R1000L4_G02L_485A
SIDE COWLING

FIG.496A LABEL (1-F-6)



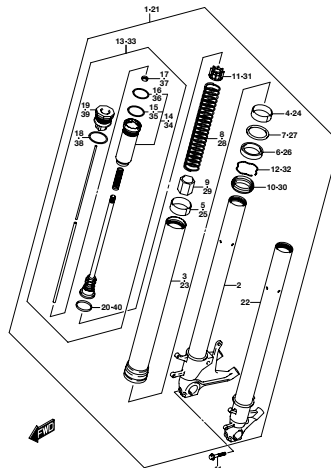
GSX-R1000L4_G02L_496A
LABEL

FIG.505A SEAT (1-F-7)



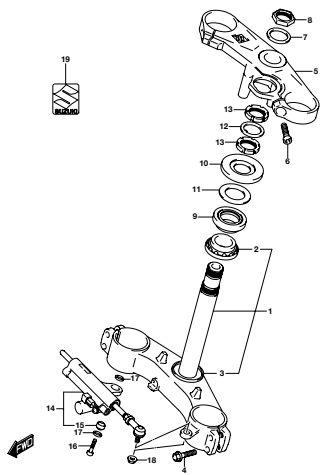
GSX-R1000L4_G02L_505A
SEAT

FIG.521A FRONT FORK DAMPER (1-F-8)



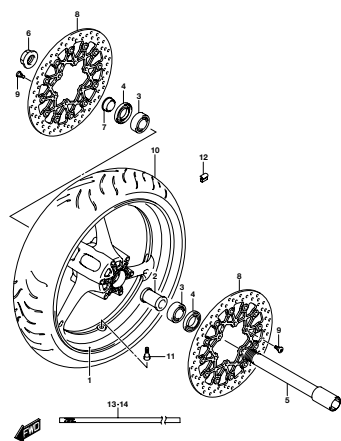
GSX-R1000L4_G02L_521A
FRONT FORK DAMPER

FIG.524A STEERING STEM (1-F-10)



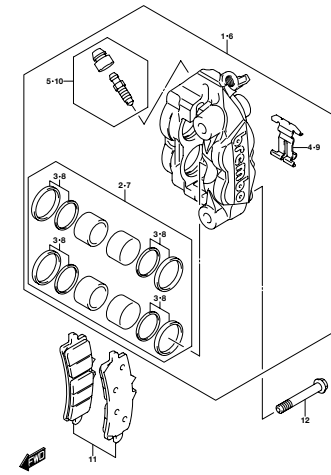
GSK-R1000L4_02B_524A
STEERING STEM

FIG.530A FRONT WHEEL (1-F-11)



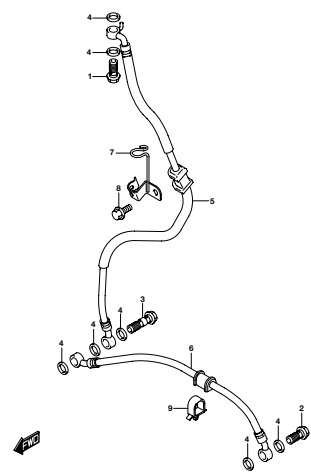
GSK-R1000L4_02B_530A
FRONT WHEEL

FIG.535A FRONT CALIPER (1-F-12)



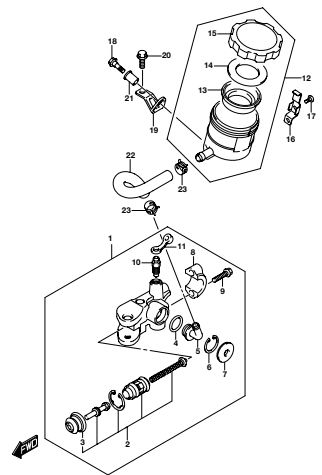
GSK-R1000L4_02B_535A
FRONT CALIPER

FIG.536A FRONT BRAKE HOSE (1-F-13)



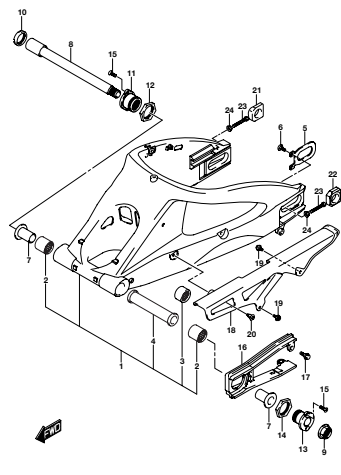
GSK-R1000L4_02B_536A
FRONT BRAKE HOSE

FIG.537A FRONT MASTER CYLINDER (1-F-14)



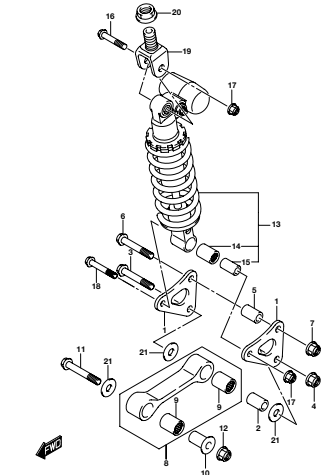
GSK-R1000L4_02B_537A
FRONT MASTER CYLINDER

FIG.541A REAR SWINGARM (1-F-15)



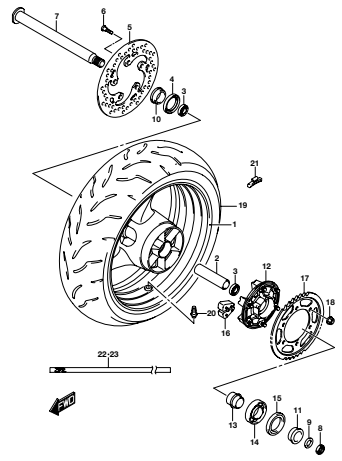
GSK-R1000L4_02B_541A
REAR SWINGARM

FIG.543A REAR CUSHION LEVER (1-G-2)



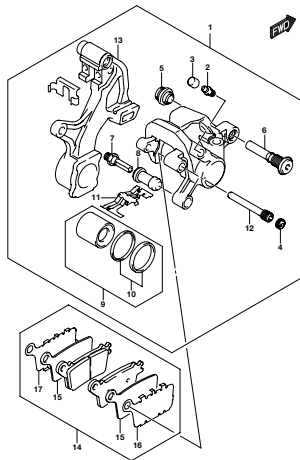
GSK-R1000L4_02B_543A
REAR CUSHION LEVER

FIG.550A REAR WHEEL (1-G-3)



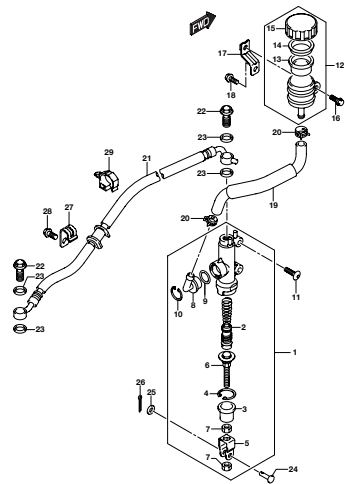
GSK-R1000L4_02B_550A
REAR WHEEL

FIG.555A REAR CALIPER (1-G-4)



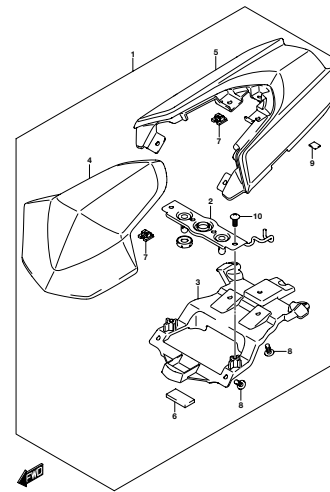
GSX-R1000L4_02B_555A
REAR CALIPER

FIG.558A REAR MASTER CYLINDER (1-G-5)



GSX-R1000L4_02B_558A
REAR MASTER CYLINDER

FIG.916A SEAT TAIL BOX (OPTIONAL) (1-G-7)



GSX-R1000L4_02B_916A
SEAT TAIL BOX (OPTIONAL)

FIG.101A

FIG.101A (1-B-2) GASKET SET

REF NO.	PART NO.	DESCRIPTION	Q'TY	REMARKS
1	11401-47841	GASKET SET	1	OPT
2	11141-47H01	.GASKET , CYLINDER HEAD	1	NOT ILLUSTRATED
3	11173-35F00	.GASKET , CYLINDER HEAD COVER NO.1	1	NOT ILLUSTRATED
4	11178-33E00	.GASKET , CYLINDER HEAD COVER NO.2	4	NOT ILLUSTRATED
5	11182-35F10	.COVER , 2ND AIR PASSAGE	4	NOT ILLUSTRATED
6	11191-27E00	.WASHER , HEAD COVER	6	NOT ILLUSTRATED
7	11482-47H00	.GASKET , CLUTCH COVER	1	NOT ILLUSTRATED
8	11483-47H00	.GASKET , MAGNETO COVER	1	NOT ILLUSTRATED
9	11489-47H00	.GASKET , OIL PAN	1	NOT ILLUSTRATED
10	12837-02H00	.GASKET , TENSIONER ADJUSTER	1	NOT ILLUSTRATED
11	14181-22D01	.GASKET , EXHAUST PIPE	4	NOT ILLUSTRATED

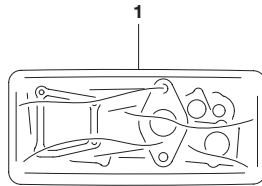
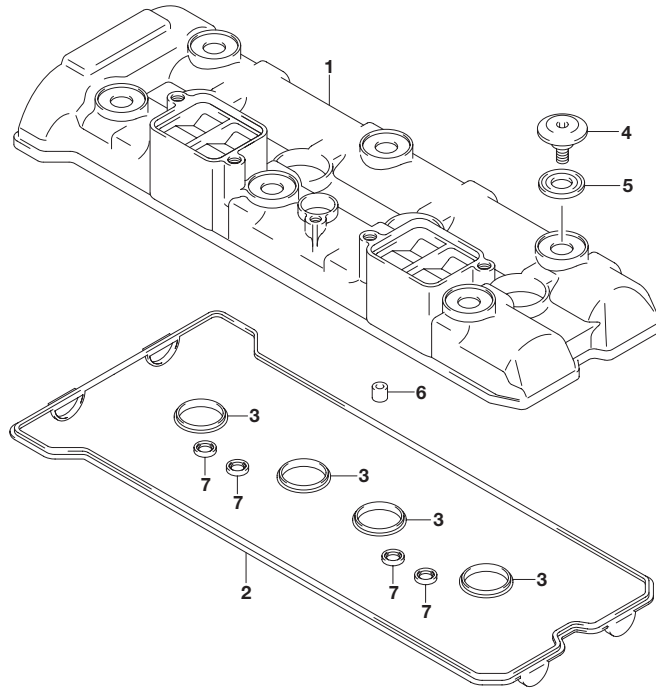


FIG.102A

FIG.102A (1-B-3) CYLINDER HEAD COVER

2



REF NO.	PART NO.	DESCRIPTION	Q'TY	REMARKS
1	11171-47H00	COVER ,CYLINDER HEAD	1	
2	11173-35F00	GASKET ,HEAD COVER NO.1	1	
3	11178-33E00	GASKET ,HEAD COVER NO.2	4	
4	09106-07009	BOLT (7X17.5)	6	
5	11191-27E00	WASHER	6	
6	09206-10016	PIN(8.2X10X13)	4	
7	11182-35F10	GASKET ,2ND AIR PASSAGE	4	

FIG.103A

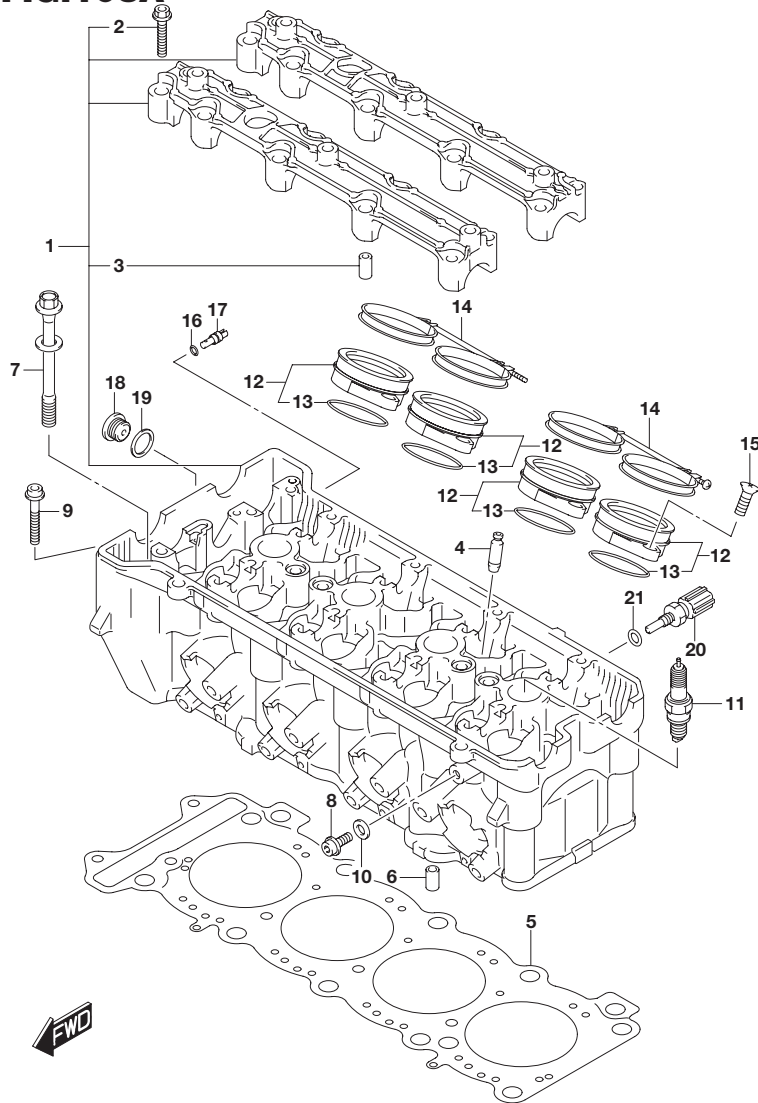


FIG.103A (1-B-4) CYLINDER HEAD

REF NO.	PART NO.	DESCRIPTION	Q'TY	REMARKS
1	11100-47H10	HEAD ASSY ,CYLINDER	1	
2	09103-06266	.BOLT (6X40)	20	
3	09206-08007	.PIN (6.2X8X16)	6	
4	11115-29G70	GUIDE ,VALVE (OS 0.3)	16	OPT
5	11141-47H01	GASKET ,CYLINDER HEAD	1	
6	04211-11169	PIN	2	
7	11117-30G00	BOLT CYLINDER HEAD L105	10	
8	09103-06222	BOLT (6X12)	1	
9	07120-0650A	BOLT	2	
10	09168-06023	GASKET (5.8X13X1.2)	1	
11-1	09482-00558	SPARK PLUG (CR9EIA - 9)	4	NGK
11-2	09482-00557	SPARK PLUG (IU27D)	4	DENSO
11-3	09482-00556	SPARK PLUG (CR8EIA - 9)	4	OPT NGK
11-4	09482-00560	SPARK PLUG (CR10EIA - 9)	4	OPT NGK
11-5	09482-00555	SPARK PLUG (IU24D)	4	OPT DENSO
11-6	09482-00559	SPARK PLUG (IU31D)	4	OPT DENSO
12	13101-47H00	PIPE ,INTAKE	4	
13	09280-48010	.O RING (D:2.4 ,D:47.2)	4	
14	13170-47H00	CLAMP	2	
15	02122-0616B	SCREW	8	
16	09280-04004	O RING (D:1.2 ,D:4)	1	
17	09493-32006	JET ,OIL GALY (16)	1	
18	09248-16012	PLUG (16X8)	1	
19	09168-16009	GASKET (16X22X0.8)	1	
20	13650-49X00	SENSOR ,WATER TEMPERATURE	1	
21	09168-12017	GASKET (12X17X1)	1	

FIG.108A

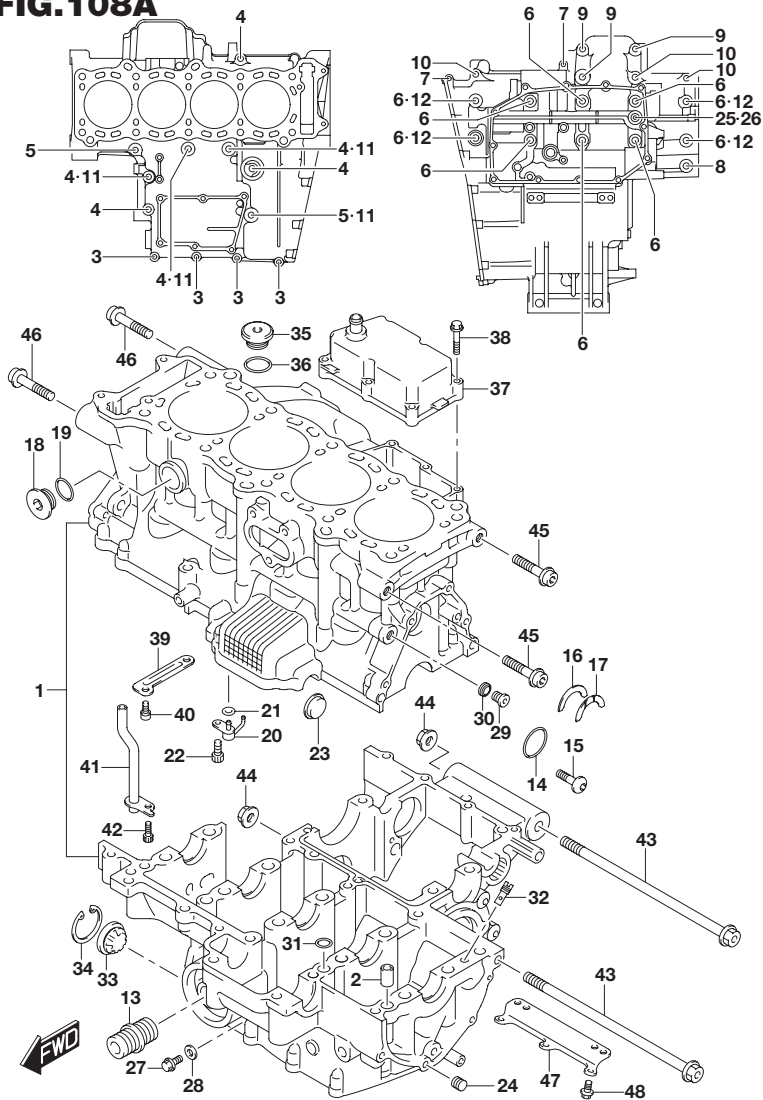


FIG.108A (1-B-5) CRANKCASE

REF NO.	PART NO.	DESCRIPTION	Q'TY	REMARKS
1	11300-47890	CRANKCASE SET	1	
2	11319-33E50	.PIN	3	
3	01547-0635A	.BOLT	4	
4	01550-0855A	.BOLT	6	
5	01550-0865A	.BOLT	2	
6	09103-09012	.BOLT (9X95)	10	
7	01547-0645A	.BOLT	2	
8	01550-0835A	.BOLT	1	
9	01550-0855A	.BOLT	3	
10	01550-0865A	.BOLT	3	
11	09168-08016	.GASKET (8.2X14X1)	4	
12	09168-10031	.GASKET (10.2X20X2.3)	4	
13	16591-06B01	.UNION ,OIL FILTER STAND	1	
14	09280-00045	.O RING (D:3 ,D:102)	1	
15	09139-06151	.BOLT (6X20)	6	
16	12228-48B00-0E0	.BEARING ,THRUST RH (GREEN)	1	
17-1	12228-48B00-0B0	.BEARING ,THRUST LH (BROWN)	1	
17-2	12228-48B00-0C0	.BEARING ,THRUST LH (RED)	1	
17-3	12228-48B00-0D0	.BEARING ,THRUST LH (YELLOW)	1	
17-4	12228-48B00-0E0	.BEARING ,THRUST LH (GREEN)	1	
17-5	12228-48B00-0F0	.BEARING ,THRUST LH (BLUE)	1	
17-6	12228-48B00-0G0	.BEARING ,THRUST LH (ORANGE)	1	
17-7	12228-48B00-0H0	.BEARING ,THRUST LH (BLACK)	1	
18	11318-35F00	.PLUG , WATER JACKET	3	
19	09280-20002	.O RING (D:3.1 ,D:19.4)	3	
20	11390-21H00	JET , PISTON COOLING	4	
21	09280-04004	O RING (D:1.2 ,D:4)	4	
22	09106-06075	BOLT (6X12)	4	

FIG.108A

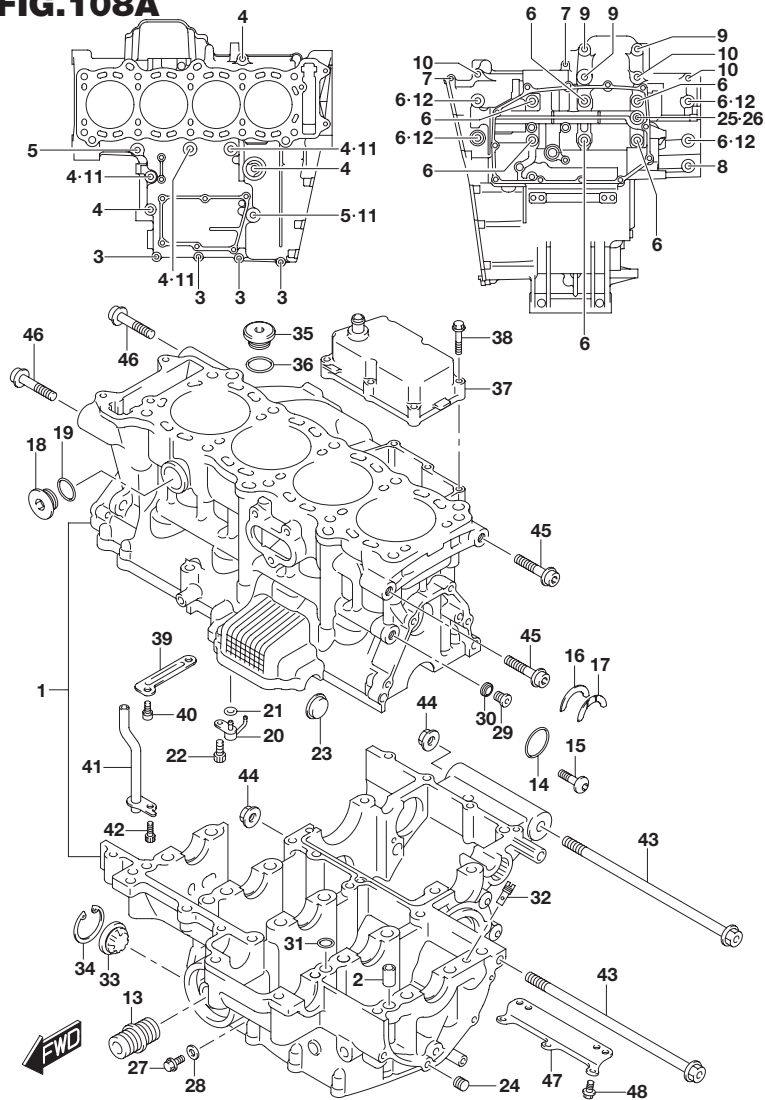


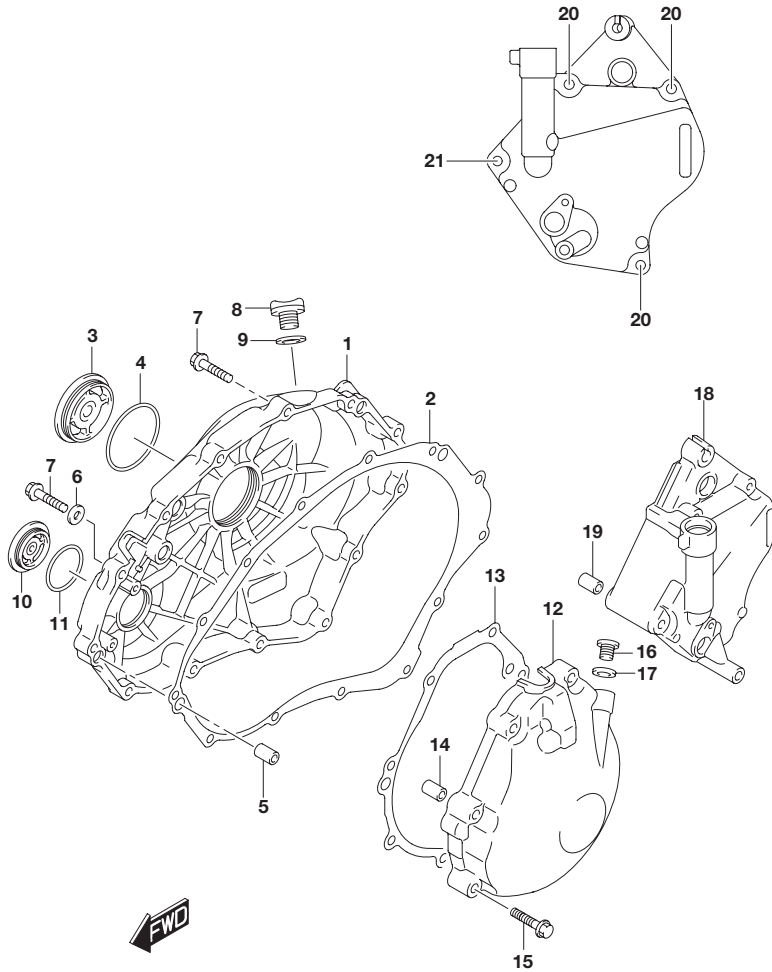
FIG.108A (1-B-6) CRANKCASE

REF NO.	PART NO.	DESCRIPTION	Q'TY	REMARKS
23	09241-23005	PLUG	1	
24	09246-05006	PLUG	1	
25	09248-12004	PLUG(L:12)	1	
26	09168-12002	GASKET (12.1X16.2X3.7)	1	
27	01547-0612A	BOLT	1	
28	09168-06018	GASKET (6.2X13X1.2)	1	
29	09248-10010	PLUG(10X10)	1	
30	09168-10002	GASKET (10X14X3.6)	1	
31	09280-08012	O RING (D:1.9 ,ID:7.8)	2	
32	09493-28012	JET ,140	1	
33	11971-33210	LENS , OIL LEVEL	1	
34	08331-4130A	CIRCLIP	1	
35	09259-26011	PLUG(26X9)	1	
36	09280-22008	O RING (D:3.1 ,ID:22.7)	1	
37	11380-47H00	COVER ,BREATHER	1	
38	01547-0630A	BOLT	6	
39	11382-47H00	PLATE ,BREATHER OIL RETURN	1	
40	09106-06075	BOLT (6X12)	2	
41	11383-47H00	PIPE ,BREATHER OIL RETURN	1	
42	07130-0612A	BOLT	1	
43	09103-12110	BOLT (12X220)	2	
44	09159-12054	NUT	2	
45	09106-10089	BOLT (10X45)	2	
46	09106-10090	BOLT (10X55)	2	
47	11322-47H00	PLATE ,LOWER	1	
48	09103-06188	BOLT (6X10)	4	

FIG.112A

FIG.112A (1-B-7) CRANKCASE COVER

2



REF NO.	PART NO.	DESCRIPTION	Q'TY	REMARKS
1	11341-47H00	COVER ,CLUTCH	1	
2	11482-47H00	GASKET ,CLUTCH COVER	1	
3	11342-41G10	CAP ,CLUTCH RELEASE ADJUST	1	
4	31156-17E00	O RING	1	
5	04211-09189	PIN	2	
6	09168-06023	GASKET (5.8X13X1.2)	1	
7	09103-06308	BOLT (6X30)	13	
8	11971-25D00	PLUG ,ENGINE OIL FILTER	1	
9	09280-17003	O RING (D:3.1 ,D:16.8)	1	
10	09259-36021	PLUG (36X10)	1	
11	09280-33004	O RING (D:3.1 ,D:32.7)	1	
12	11351-47H00	COVER ,GENERATOR	1	
13	11483-47H00	GASKET	1	
14	04211-09149	PIN	2	
15	09103-06213	BOLT (6X30)	8	
16	09248-10010	PLUG (10X10)	1	
17	09168-10002	GASKET (10X14X3.6)	1	
18	11361-47H00	COVER ,ENGINE SPROCKET	1	
19	04211-09129	PIN	2	
20	09103-06224	BOLT (6X45)	3	
21	09103-06239	BOLT (6X65)	1	

FIG.116A

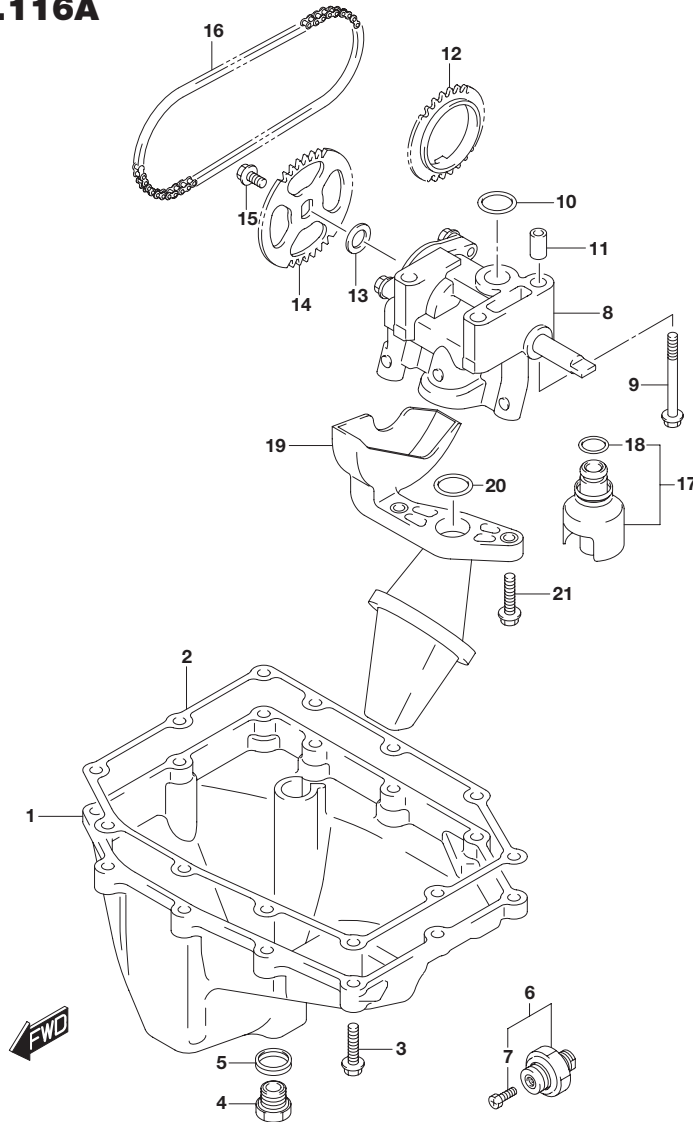


FIG.116A (1-B-8) OIL PAN/OIL PUMP

REF NO.	PART NO.	DESCRIPTION	Q'TY	REMARKS
1	11511-47H00	PAN , OIL	1	
2	11489-47H00	GASKET , OIL PAN	1	
3	01547-0625A	BOLT	12	
4	09247-14036	PLUG (14X20)	1	
5	09168-14002	GASKET (13.8X18.8X4.8)	1	
6	37820-33D10	SWITCH ASSY , OIL PRESSURE	1	
7	37822-33D00	.BOLT	1	
8	16400-47H10	PUMP ASSY , OIL	1	
9	01547-0650A	BOLT	3	
10	09280-15007	O RING (D:2.4 ,D:15.8)	1	
11	04211-09149	PIN	2	
12	16321-01H00	SPROCKET , DRIVE	1	
13	09181-10158	SHIM (10X18X0.5)	1	
14	16331-47H00	SPROCKET , DRIVEN	1	
15	09103-06285	BOLT (6X12)	1	
16	16310-47H00	CHAIN , OIL PUMP DRIVE	1	
17	16440-47H00	VALVE ASSY , OIL RELIEF	1	
18	09280-13004	.O RING (D:1.9 ,D:13)	1	
19	16520-47H00	STRAINER , ENGINE OIL	1	
20	09280-19008	O RING (D:2.62 ,D:20.3)	1	
21	01550-0620A	BOLT	2	

FIG.120A

2

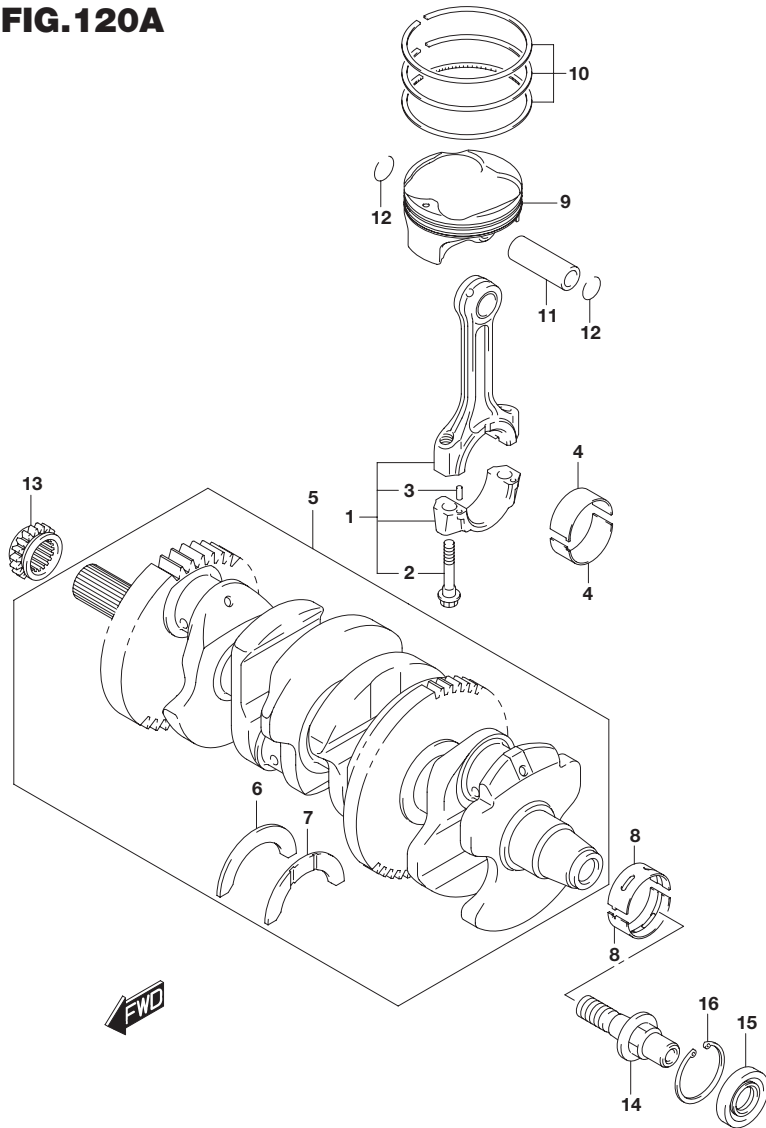


FIG.120A (1-B-9) CRANKSHAFT

REF NO.	PART NO.	DESCRIPTION	Q'TY	REMARKS
1	12160-47H00	ROD ASSY ,CONNECTING	4	
2	12163-24F10	.BOLT	8	
3	12165-27A50	.PIN ,CONNROD	8	
4-1	12164-47H00-0A0	BEARING ,CRANK PIN(GREEN)	8	
4-2	12164-47H00-0B0	BEARING ,CRANK PIN(BLACK)	8	
4-3	12164-47H00-0C0	BEARING ,CRANK PIN(BROWN)	8	
4-4	12164-47H00-0D0	BEARING ,CRANK PIN(YELLOW)	8	
5	12000-47860	CRANKSHAFT SET	1	
6	12228-48B00-0E0	.BEARING ,THRUST RH(GREEN)	1	
7-1	12228-48B00-0B0	.BEARING ,THRUST LH(BROWN)	1	
7-2	12228-48B00-0C0	.BEARING ,THRUST LH(RED)	1	
7-3	12228-48B00-0D0	.BEARING ,THRUST LH(YELLOW)	1	
7-4	12228-48B00-0E0	.BEARING ,THRUST LH(GREEN)	1	
7-5	12228-48B00-0F0	.BEARING ,THRUST LH(BLUE)	1	
7-6	12228-48B00-0G0	.BEARING ,THRUST LH(ORANGE)	1	
7-7	12228-48B00-0H0	.BEARING ,THRUST LH(BLACK)	1	
8-1	12229-41G00-0A0	BEARING ,CRANKSHAFT(GREEN)	10	
8-2	12229-41G00-0B0	BEARING ,CRANKSHAFT(BLACK)	10	
8-3	12229-41G00-0C0	BEARING ,CRANKSHAFT(BROWN)	10	
8-4	12229-41G00-0D0	BEARING ,CRANKSHAFT(YELLOW)	10	
8-5	12229-41G00-0E0	BEARING ,CRANKSHAFT(BLUE)	10	
9	12111-47H50-0F0	PISTON	4	
10	12140-47H10	RING SET ,PISTON	4	
11	12151-47H00	PIN ,PISTON	4	
12	09381-15001	CIRCLIP	8	
13	12731-47H00	SPROCKET ,CAM CHAIN	1	
14	12224-47H00	BOLT ,GENERATOR ROTOR	1	
15	09282-14007	OIL SEAL (14X30X8)	1	LH
16	08331-41329	CIRCLIP	1	

FIG.124A

2

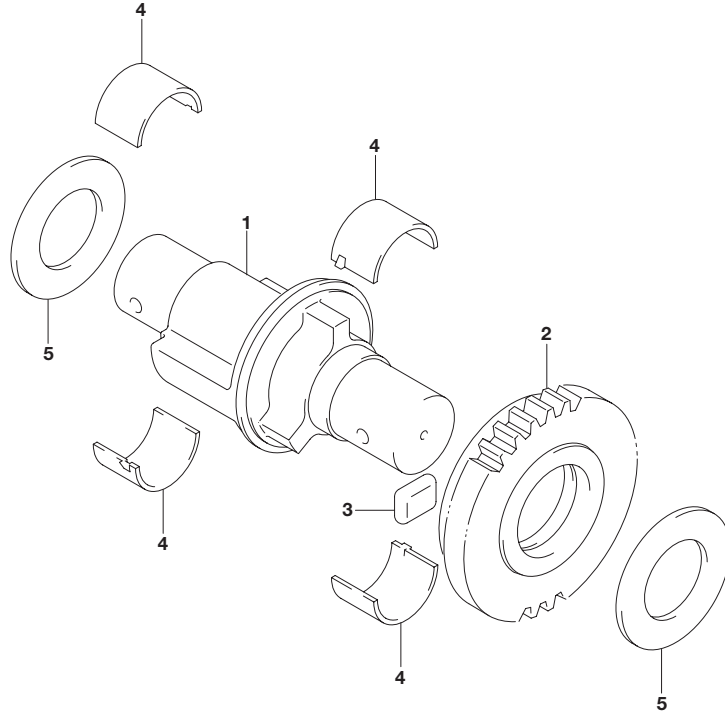


FIG.124A (1-B-11) CRANK BALANCER

REF NO.	PART NO.	DESCRIPTION	Q'TY	REMARKS
1	12654-47H00	BALANCER , CRANK	1	
2	12666-40F00	GEAR , CRANK BALANCER	1	
3	12686-40F00	DAMPER , CRANK BALANCER GEAR	6	
4-1	12229-47H00-0A0	BEARING , CRANK BALANCER (GREEN)	4	
4-2	12229-47H00-0B0	BEARING , CRANK BALANCER (BLACK)	4	
4-3	12229-47H00-0C0	BEARING , CRANK BALANCER (BROWN)	4	
5	08211-20403	WASHER	2	

FIG.126A

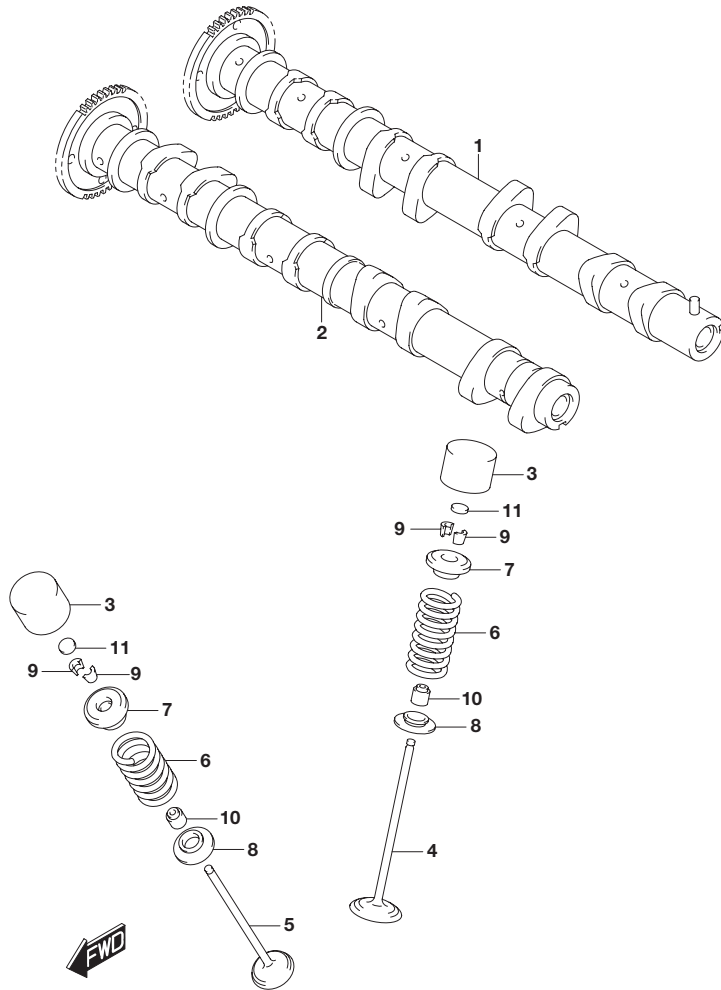


FIG.126A (1-B-12) CAMSHAFT/VALVE

REF NO.	PART NO.	DESCRIPTION	Q'TY	REMARKS
1	12710-47H10	CAMSHAFT ,INTAKE	1	
2	12720-47H10	CAMSHAFT ,EXHAUST	1	
3	12891-47H10	TAPPET	16	
4	12911-47H00	VALVE ,INTAKE	8	
5	12912-47H10	VALVE ,EXHAUST	8	
6	12920-47H00	SPRING , VALVE	16	
7	12931-47H00	RETAINER , VALVE SPRING	16	
8	12933-47H00	SEAT , VALVE SPRING	16	
9	12932-32C00	COTTER , VALVE	32	
10	09289-04002	OIL SEAL(4.5X10X8)	16	
11-1	12892-05C00-120	SHIM , TAPPET (T:1.20)	16	
11-2	12892-05C00-125	SHIM , TAPPET (T:1.25)	16	
11-3	12892-05C00-130	SHIM , TAPPET (T:1.30)	16	
11-4	12892-05C00-135	SHIM , TAPPET (T:1.35)	16	
11-5	12892-05C00-140	SHIM , TAPPET (T:1.40)	16	
11-6	12892-05C00-145	SHIM , TAPPET (T:1.45)	16	
11-7	12892-05C00-150	SHIM , TAPPET (T:1.50)	16	
11-8	12892-05C00-155	SHIM , TAPPET (T:1.55)	16	
11-9	12892-05C00-160	SHIM , TAPPET (T:1.60)	16	
11-10	12892-05C00-165	SHIM , TAPPET (T:1.65)	16	
11-11	12892-05C00-170	SHIM , TAPPET (T:1.70)	16	
11-12	12892-05C00-175	SHIM , TAPPET (T:1.75)	16	
11-13	12892-05C00-180	SHIM , TAPPET (T:1.80)	16	

FIG.126A

2

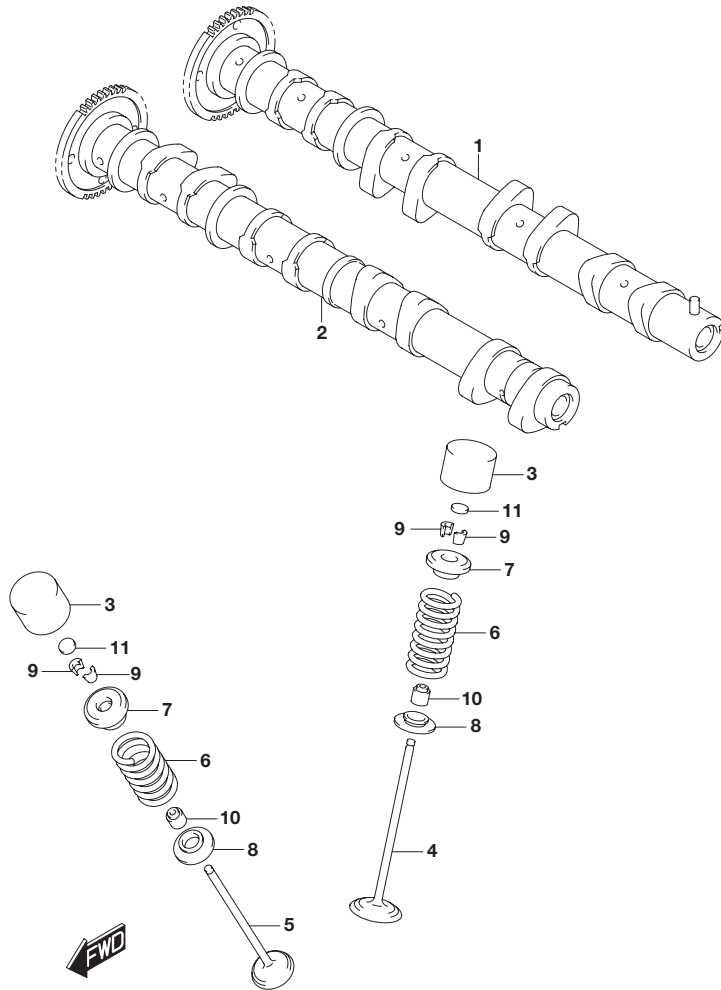


FIG.126A (1-B-13) CAMSHAFT/VALVE

REF NO.	PART NO.	DESCRIPTION	Q'TY	REMARKS
11-14	12892-05C00-185	SHIM ,TAPPET (T:1.85)	16	
11-15	12892-05C00-190	SHIM ,TAPPET (T:1.90)	16	
11-16	12892-05C00-195	SHIM ,TAPPET (T:1.95)	16	
11-17	12892-05C00-200	SHIM ,TAPPET (T:2.00)	16	
11-18	12892-05C00-205	SHIM ,TAPPET (T:2.05)	16	
11-19	12892-05C00-210	SHIM ,TAPPET (T:2.10)	16	
11-20	12892-05C00-215	SHIM ,TAPPET (T:2.15)	16	
11-21	12892-05C00-220	SHIM ,TAPPET (T:2.20)	16	
12	12800-05830	SHIM SET ,TAPPET INC.REF.NO.11 - 1 TO 11 - 21 (5PCS.EACH) & NO.13	1	OPT NOT ILLUSTRATED
13	99000-69491	.CASE ,TAPPET SHIM	1	OPT NOT ILLUSTRATED

FIG.127A

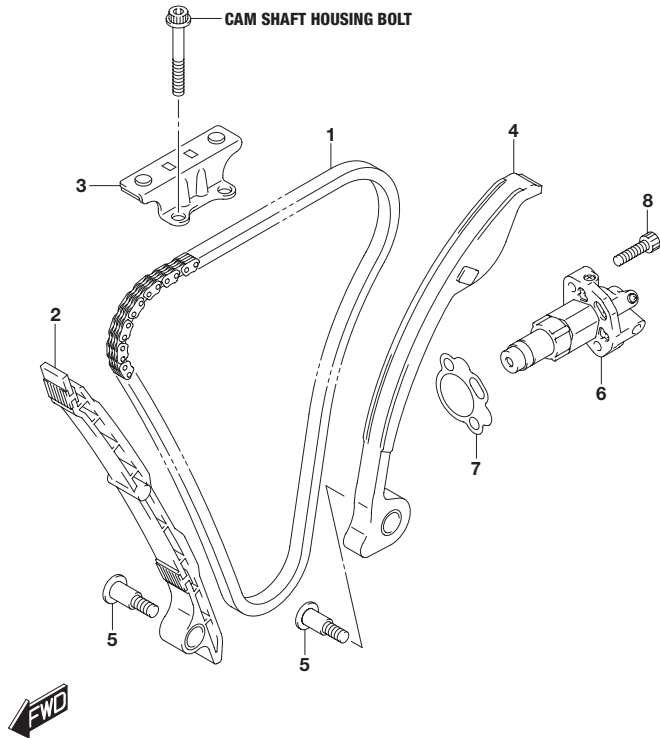


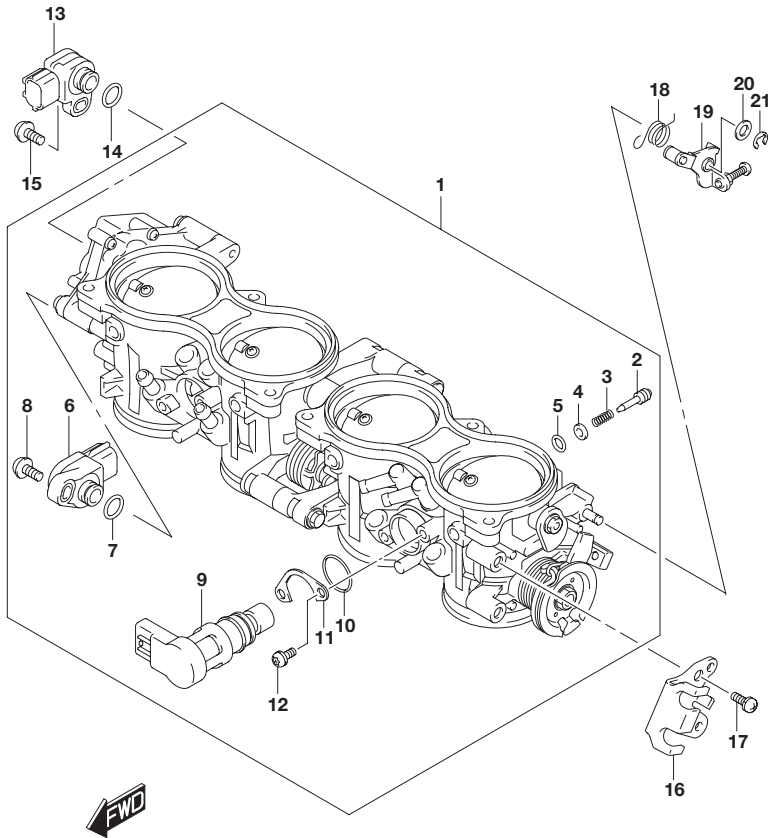
FIG.127A (1-B-14) CAM CHAIN

REF NO.	PART NO.	DESCRIPTION	Q'TY	REMARKS
1	12760-40F01	CHAIN ,CAM SHAFT DRIVE	1	
2	12771-47H00	GUIDE ,CAM CHAIN NO.1	1	
3	12782-35F10	GUIDE ,CAM CHAIN NO.2	1	
4	12811-47H00	TENSIONER ,CAM CHAIN	1	
5	12812-31G00	BOLT	2	
6	12830-47H00	ADJUSTER ASSY ,TENSIONER	1	
7	12837-02H00	GASKET ,ADJUSTER	1	
8	07130-0625A	BOLT	2	

FIG.140A

FIG.140A (1-B-15) THROTTLE BODY

2



REF NO.	PART NO.	DESCRIPTION	Q'TY	REMARKS
1	13406-47H20	THROTTLE BODY	1	
2	13269-18G00	.SCREW ,AIR ADJUST	4	
3	13271-43E00	.SPRING	4	
4	13291-26E00	.WASHER	4	
5	13295-26E00	.O RING	4	
6	13580-18G00	.SENSOR ASSY , MAIN	1	
7	13575-40F00	.O RING	1	
8	13605-40F00	.SCREW	1	
9	18117-15H12	.VALVE ,ISC	1	
10	18119-05H00	.O RING	1	
11	13428-15H00	.PLATE	1	
12	13605-15H00	.SCREW	2	
13	13580-47H00	SENSOR ASSY ,SUB	1	
14	13575-40F00	O RING	1	
15	13605-40F00	SCREW	1	
16	13565-21H00	PLATE , STAY	1	
17	13601-21H00	SCREW	2	
18	13426-21H00	SPRING	1	
19	13420-47H00	LEVER , LINK	1	
20	13427-35F10	WASHER	1	
21	13424-35F10	E CLIP	1	

FIG.142A

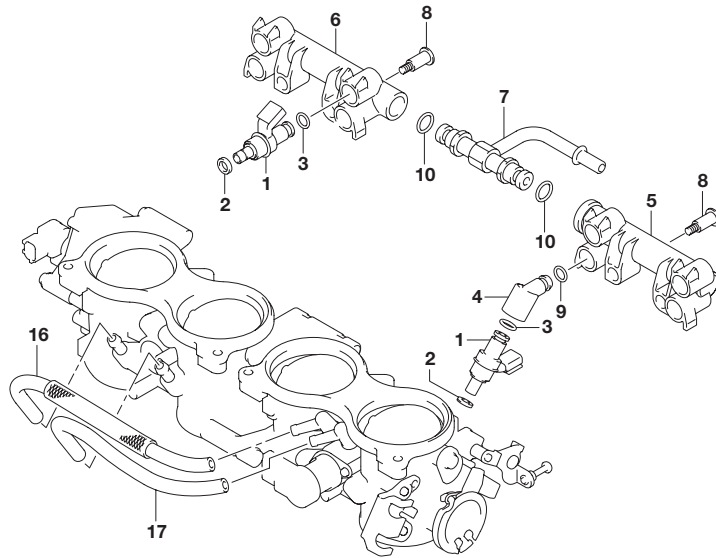


FIG.142A (1-C-2) THROTTLE BODY HOSE/JOINT

REF NO.	PART NO.	DESCRIPTION	Q'TY	REMARKS
1	15710-21H00	INJECTOR ASSY	8	
2	15722-21H00	RING ,SEAL	8	
3	15721-21H00	O RING	8	
4	13473-21H00	PIPE ,FUEL	4	
5	13474-47H00	PIPE ,FUEL	1	
6	13474-47H10	PIPE ,FUEL	1	
7	13473-15H00	JOINT	1	
8	13601-35F00	SCREW	4	
9	15721-24F00	O RING	4	
10	15721-10G00	O RING	2	
11	13684-47H20	HOSE	2	
12	13685-47H20	HOSE	2	
13	13686-47H20	HOSE	2	
14	13687-47H20	HOSE	1	
15	13471-24F30	T JOINT	3	
16	13680-21H10	TUBE ,RUBBER	1	
17	13698-21H00	TUBE ,RUBBER	1	

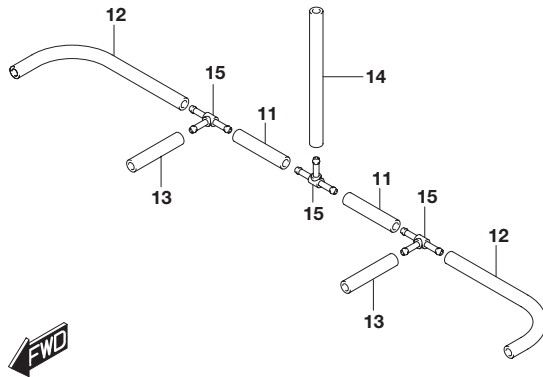


FIG.155A

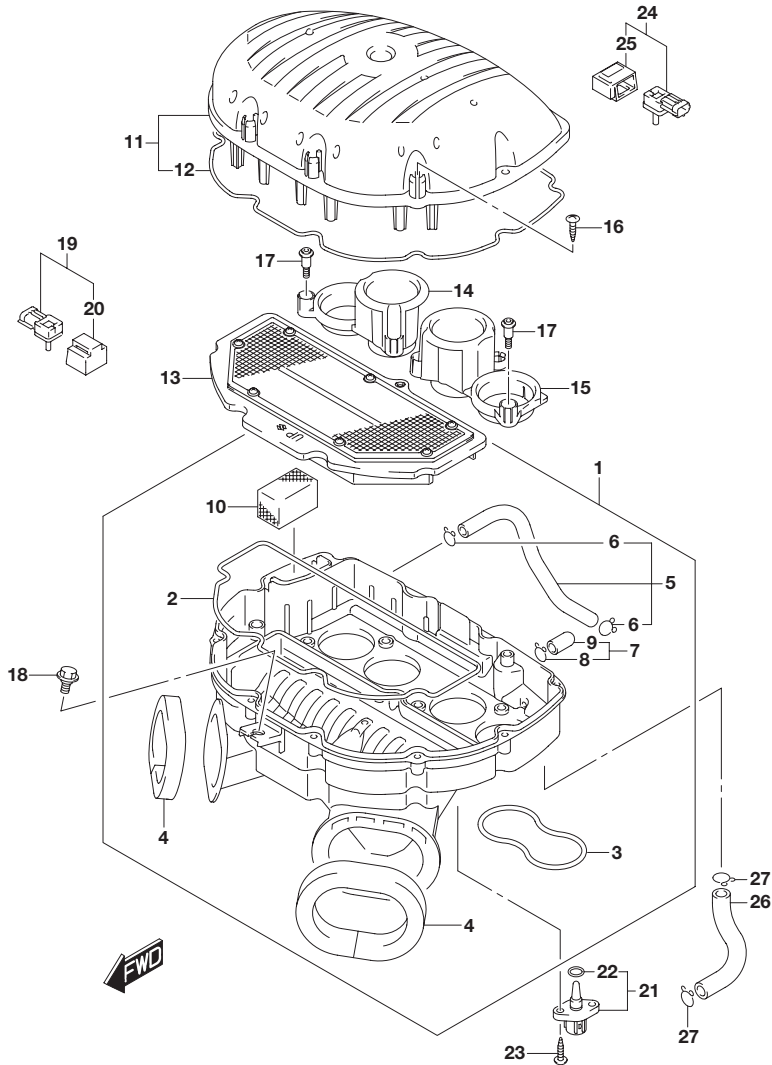


FIG.155A (1-C-3) AIR CLEANER

REF NO.	PART NO.	DESCRIPTION	Q'TY	REMARKS
1	13720-47H01	CASE ,AIR CLEANER	1	
2	13756-47H00	.GASKET ,CASE	1	
3	13757-47H00	.GASKET ,CASE	2	
4	13736-01H00	.CUSHION ,DUCT	2	
5	13850-47H00	.TUBE ,BREATHER	1	
6	09401-14101	..CLIP	2	
7	13856-19B03	..PLUG ASSY ,DRAIN	1	
8	09401-14101	..CLIP	1	
9	13859-41B10	..PLUG	1	
10	13788-47H00	.FILTER ,BREATHER	1	
11	13740-47H00	CAP ,AIR CLEANER	1	
12	13746-47H00	.GASKET ,CAP	1	
13	13780-47H10	FILTER ASSY	1	
14	13881-47H00	FUNNEL ,OUTLET RH	1	
15	13882-47H00	FUNNEL ,OUTLET LH	1	
16	03541-0525A	SCREW	11	
17	13831-47H00	BOLT	6	
18	09111-06089	BOLT (6X16)	1	
19	15630-29G40	SENSOR ,BOOST	1	
20	15625-29G40	.COVER	1	
21	13650-14G10	SENSOR ,AIR TEMPERATURE	1	
22	13655-14G10	.O RING	1	
23	03511-0516A	BOLT	2	
24	15630-29G30	SENSOR ,AIR PRESSURE	1	
25	15625-29G30	.COVER	1	
26	13697-47H00	HOSE ,ISC VALVE	1	
27	09401-15101	CLIP	2	

FIG.163A

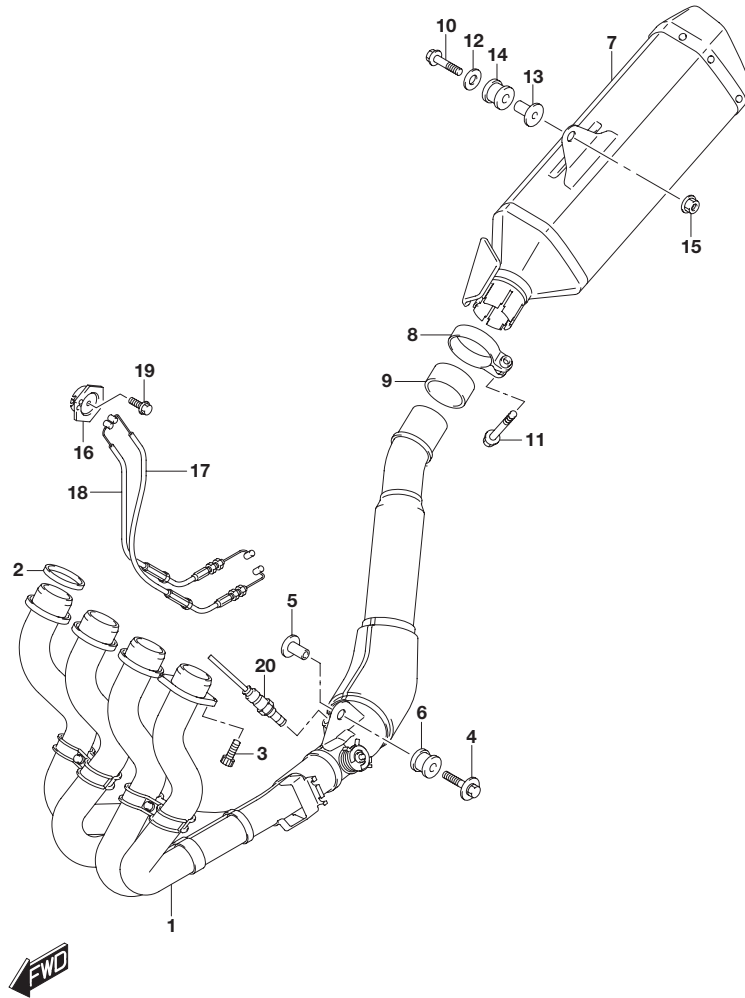


FIG.163A (1-C-4) MUFFLER

REF NO.	PART NO.	DESCRIPTION	Q'TY	REMARKS
1	14100-47H10	PIPE ,EXHAUST	1	
2	14181-22D01	GASKET	4	
3	07130-0825A	BOLT	8	
4	09118-08152-A05	BOLT (8X45)	1	
5	09180-08152	SPACER (8.6X12X24.2)	1	
6	09320-12077	CUSHION	1	
7	14310-47H40-H01	BODY ,MUFFLER	1	
8	14459-47H00	CLAMP	1	
9	14771-24F01	CONNECTOR	1	
10	09103-08358	BOLT (8X45)	1	
11	09103-08392	BOLT (8X40)	1	
12	09160-08142	WASHER (8.5X28X1.5)	1	
13	09180-08152	SPACER (8.6X12X24.2)	1	
14	09320-12048	CUSHION	1	
15	08361-2508A	NUT	1	
16	11269-18G01	PULLEY ,CONTROLLER	1	
17	11276-47H10	CABLE , EXH VALVE NO.1	1	
18	11277-47H10	CABLE , EXH VALVE NO.2	1	
19	01547-0516A	BOLT	1	
20	18213-18H10	SENSOR ,OXYGEN	1	

FIG.172A

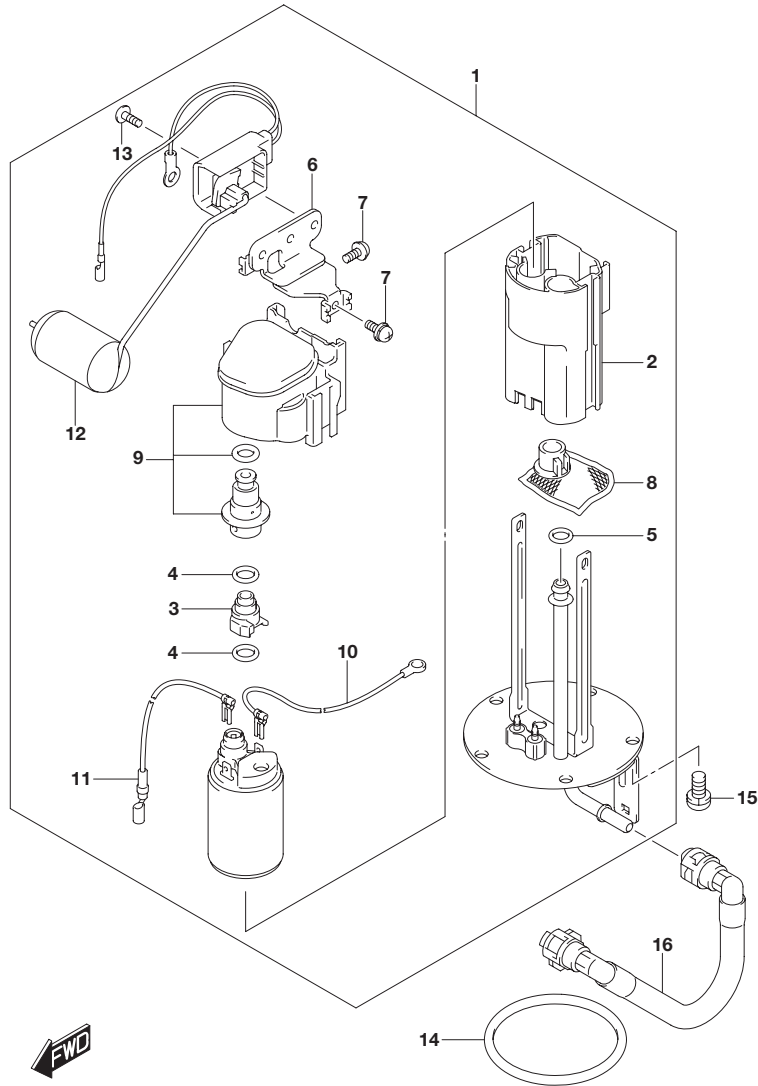


FIG.172A (1-C-5) FUEL PUMP

REF NO.	PART NO.	DESCRIPTION	Q'TY	REMARKS
1	15100-47H10	PUMP ASSY ,FUEL	1	
2	15111-27G00	.CUP	1	
3	15112-05H00	.JOINT	1	
4	15113-05H00	.O RING	2	
5	15113-35F00	.O RING	1	
6	15181-47H00	.BRACKET ,FUEL GAUGE	1	
7	15116-10F00	.SCREW	3	
8	15420-05H00	.STRAINER ,FUEL PUMP	1	
9	15610-14J00	.REGULATOR ,FUEL	1	
10	15114-14J00	.WIRE ,EARTH	1	
11	15115-08J00	.WIRE ,LEAD	1	
12	34810-47H01	.GAUGE ASSY ,FUEL LEVEL	1	
13	15116-44H00	.SCREW	1	
14	15201-35F00	O RING ,FUEL PUMP	1	
15	07120-0612A	BOLT	5	
16	15810-47H10	HOSE ,FUEL	1	

FIG.178A

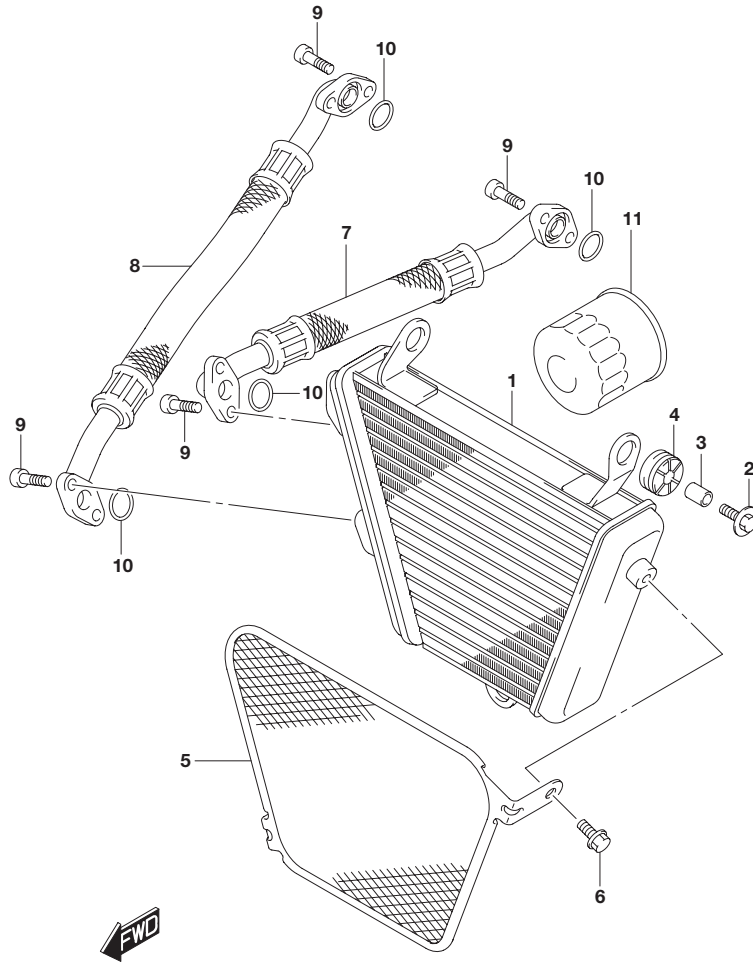


FIG.178A (1-C-6) OIL COOLER

REF NO.	PART NO.	DESCRIPTION	Q'TY	REMARKS
1	16600-47H10	COOLER ASSY ,OIL	1	
2	09118-06122	BOLT (6X25)	3	
3	09180-06290	SPACER (6.5X10X12)	3	
4	09320-10051	CUSHION	3	
5	16650-47H10	GUARD ,OIL COOLER	1	
6	01550-0610A	BOLT	2	
7	16460-47H00	HOSE , OIL COOLER INLET	1	
8	16470-47H00	HOSE , OIL COOLER OUTLET	1	
9	09106-06073	BOLT (6X16)	8	
10	09280-15015	O RING (D:2.4 ,D:16)	4	
11	16510-07J00	FILTER ASSY , ENGINE OIL	1	

FIG.180A

2

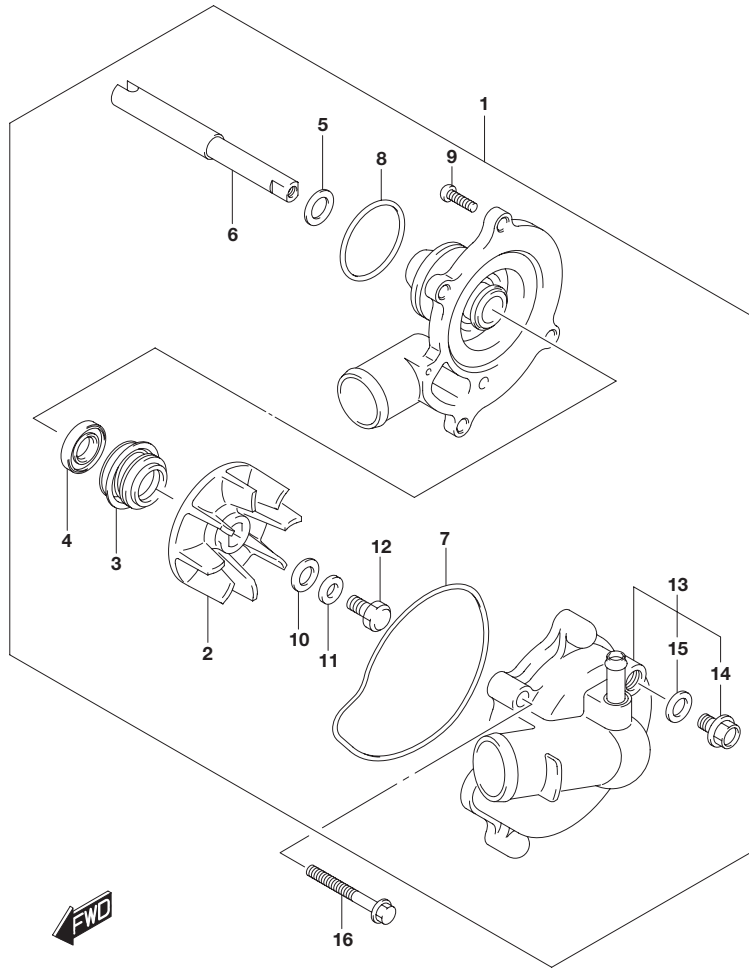


FIG.180A (1-C-7) WATER PUMP

REF NO.	PART NO.	DESCRIPTION	Q'TY	REMARKS
1	17400-47H10	PUMP ASSY ,WATER	1	
2	17491-01H00	.IMPELLER	1	
3	17470-02F10	.SEAL ,MECHANICAL	1	
4	17461-01H00	.SEAL ,OIL	1	
5	17432-07G00	.WASHER	1	
6	17511-47H00	.SHAFT	1	
7	17418-33400	.O RING	1	
8	17435-33400	.O RING	1	
9	02112-0616A	.SCREW	2	
10	09168-06025	.GASKET (6X15X2.2)	1	
11	09164-06006	.WASHER	1	
12	09100-06099	.BOLT (6X13)	1	
13	17410-47H10	.CASE	1	
14	17415-20920	.BOLT ,DRAIN	1	
15	09168-08016	.WASHER	1	
16	01547-0635A	BOLT	2	

FIG.185A

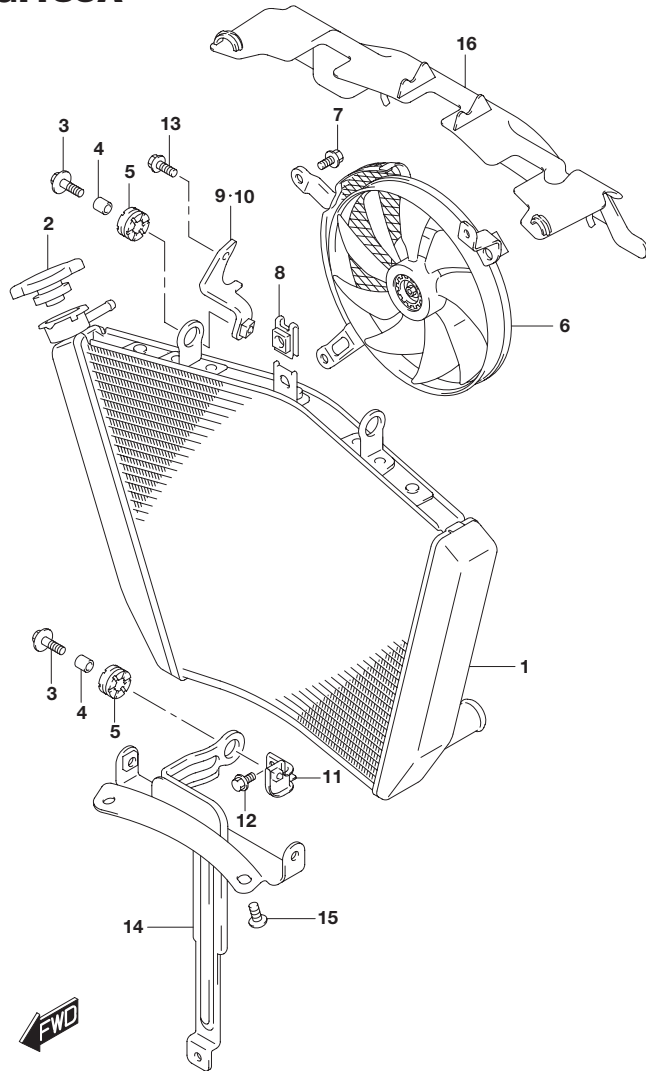


FIG.185A (1-C-8) RADIATOR

REF NO.	PART NO.	DESCRIPTION	Q'TY	REMARKS
1	17710-47H10	RADIATOR ASSY ,WATER	1	
2	17730-08J00	CAP	1	
3	09118-06097	BOLT (6X25)	3	
4	09180-06290	SPACER (6.5X10X12)	3	
5	09320-10051	CUSHION	3	
6	17800-47H00	FAN ASSY ,RADIATOR	1	
7	17711-08J00	BOLT	3	
8	17712-40F00	NUT	1	
9	17741-47H00	BRACKET ,RADIATOR RH	1	
10	17742-47H00	BRACKET ,RADIATOR LH	1	
11	17750-47H10	BRACKET ,RADIATOR & OIL COOLER	1	
12	01550-0612A	BOLT	1	
13	01550-0616A	BOLT	2	
14	17790-47H00	BRACKET ,RADIATOR SUPPORT	1	
15	09103-06307	BOLT (6X10)	2	
16	17771-47H00	SHIELD ,RADIATOR HEAT	1	

FIG.187A

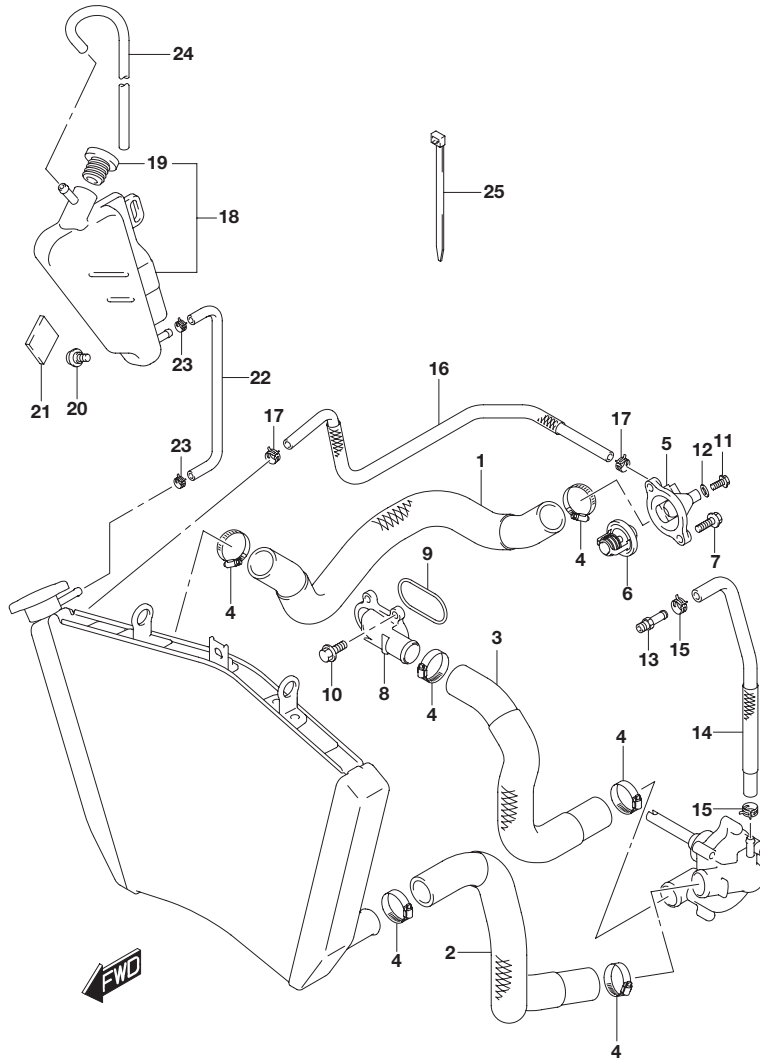
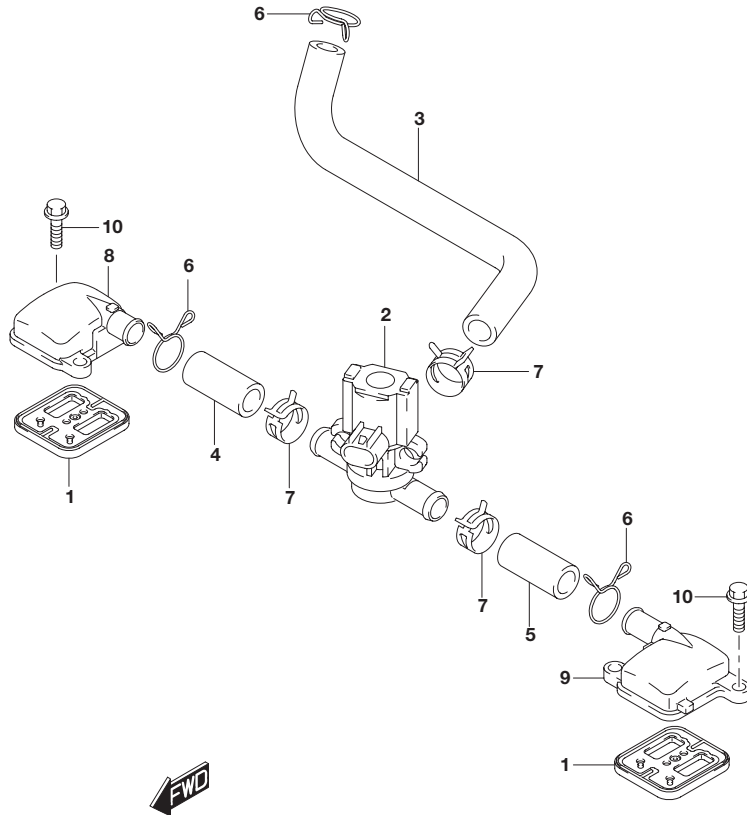


FIG.187A (1-C-9) RADIATOR HOSE

REF NO.	PART NO.	DESCRIPTION	Q'TY	REMARKS
1	17851-47H10	HOSE ,RADIATOR INLET	1	
2	17852-47H10	HOSE ,RADIATOR OUTLET	1	
3	17853-47H10	HOSE ,CYLINDER INLET	1	
4	09402-35501	CLAMP	6	
5	17661-35F00	COVER ,THERMOSTAT	1	
6	17670-47H00	THERMOSTAT ,WATER	1	
7	01547-0620A	BOLT	2	
8	17861-47H00	CONNECTOR ,CYLINDER INLET	1	
9	17863-47H00	O RING	1	
10	01547-0620A	BOLT	3	
11	17568-50F00	BOLT ,THERMOSTAT COVER AIR	1	
12	09168-06026	GASKET (6.4X11.5X0.8)	1	
13	09362-09011	UNION	1	
14	17854-47H10	HOSE ,WATER BYPASS	1	
15	09401-12414	CLAMP	2	
16	17855-47H10	HOSE ,WATER AIR BLEED	1	
17	09401-10409	CLIP	2	
18	17910-47H00	TANK ASSY ,RESERVOIR	1	
19	17931-02FA0	.CAP	1	
20	09111-06085	BOLT (6X12)	1	
21	63191-25C00	CUSHION	1	
22	17981-47H00	HOSE ,RESERVOIR TANK INLET	1	
23	09401-08411	CLIP	2	
24	17982-47H00	HOSE ,OVER FLOW	1	
25	09407-10404	CLAMP (L:100)	1	

FIG.189A

FIG.189A (1-C-10) 2ND AIR



REF NO.	PART NO.	DESCRIPTION	Q'TY	REMARKS
1	18450-35F11	VALVE ASSY ,2ND AIR REED	2	
2	18510-29G40	VALVE ASSY ,AIR CUT	1	
3	18711-47H00	HOSE ,2ND AIR CLEANER	1	
4	18461-47H00	HOSE ,2ND AIR VALVE ,RH	1	
5	18471-47H00	HOSE ,2ND AIR VALVE ,LH	1	
6	09401-17201	CLIP	3	
7	09401-17401	CLIP	3	
8	18531-47H00	COVER ,2ND AIR REED VALVE RH	1	
9	18532-47H00	COVER ,2ND AIR REED VALVE LH	1	
10	09103-06201	BOLT (6X20)	4	

FIG.201A

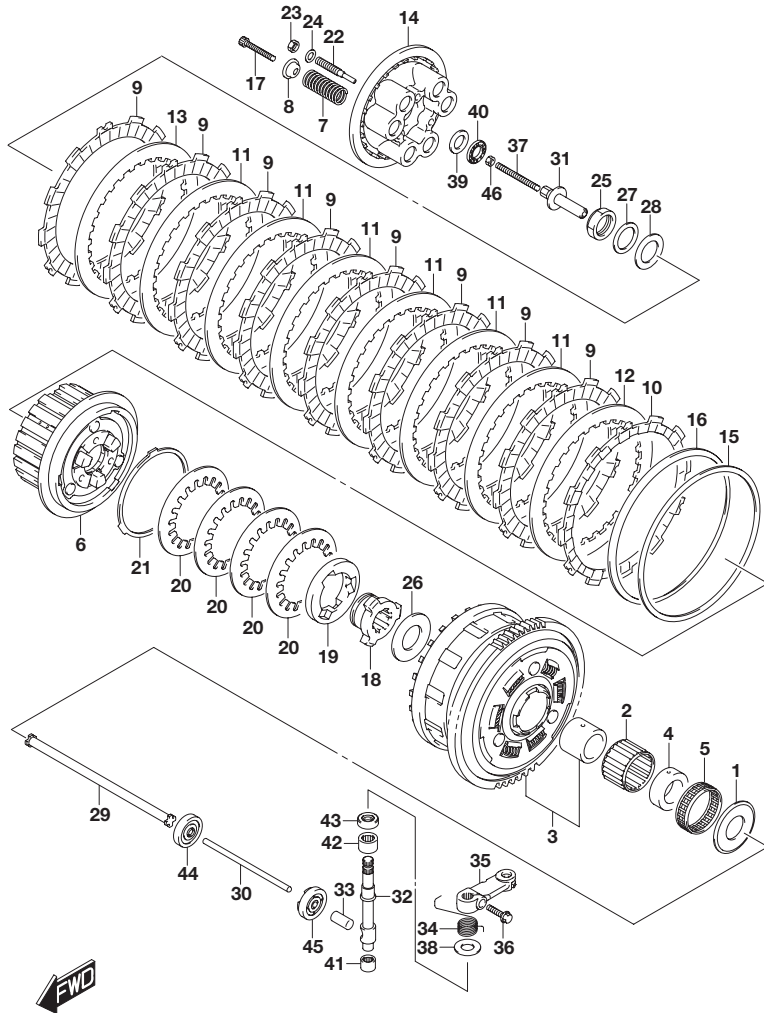


FIG.201A (1-C-11) CLUTCH

REF NO.	PART NO.	DESCRIPTION	Q'TY	REMARKS
1	09160-25073	WASHER (25X54X2.4)	1	
2	09263-35015	BEARING (35X40X26.8)	1	
3	21200-47810	GEAR ASSY ,PRIMARY DRIVEN	1	
4	21253-01H10	SPACER , OIL PUMP DRIVE	1	
5	09263-35045	BEARING (35X40X12)	1	
6	21410-41G40	HUB ,CLUTCH SLEEVE	1	
7	21413-47H10	SPRING ,CLUTCH	6	
8	21414-29F00	WASHER ,CLUTCH SPRING	6	
9	21441-42F20	PLATE ,CLUTCH DRIVE NO.1	8	T:3.3
10	21442-42F10	PLATE ,CLUTCH DRIVE NO.2	1	T:3.3
11	21451-47H30	PLATE ,CLUTCH DRIVEN NO.1	AR	T:2.3
12	21451-47H10	PLATE ,CLUTCH DRIVEN NO.2	1	T:2.3
13	21451-47H40	PLATE ,CLUTCH DRIVEN NO.3	AR	T:2.6
14	21462-41G10	DISC ,CLUTCH PRESSURE	1	
15	21471-02F20	SEAT , WAVE WASHER	1	
16	21472-02F20	WASHER ,CLUTCH PLATE WAVE	1	
17	21482-41G10	BOLT ,CLUTCH SPRING	6	
18	21611-41G20	CAM ,CLUTCH DRIVE	1	
19	21612-41G20	CAM ,CLUTCH DRIVEN	1	
20	21621-41G00	WASHER ,CAM REACTION WAVE	4	
21	21624-41G20	WASHER ,CAM REACTION SEAT	1	
22	21622-41G10	LIFTER ,CLUTCH PRESSURE DISK	3	
23	21623-41G00	NUT ,CL PRESS DISC LIFT LOCK	3	
24	09181-08139	SHIM (8.8X14X1)	3	
25	09159-24010	NUT	1	
26	09160-25056	WASHER (25X50X2.5)	1	
27	09160-25077	WASHER (25X41X2.5)	1	
28	09164-24008	WASHER	1	

FIG.201A

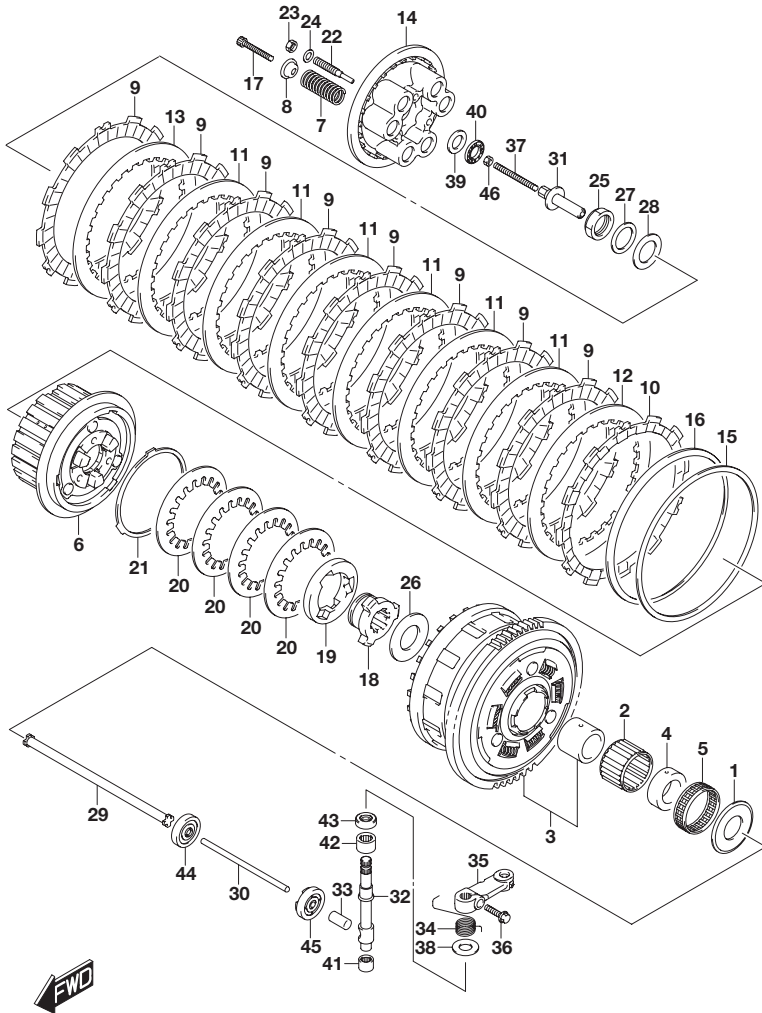


FIG.201A (1-C-12) CLUTCH

REF NO.	PART NO.	DESCRIPTION	Q'TY	REMARKS
29	23110-27A00	ROD ,CLUTCH	1	
30	23111-47H00	ROD ,CLUTCH PUSH ,LH	1	
31	23121-41G30	PIECE ,CLUTCH PUSH	1	
32	23122-41G00	CAMSHAFT ,CLUTCH RELEASE	1	
33	23123-41G00	CAP ,CLUTCH PUSH ROD	1	
34	23125-41G00	SPRING ,CLUTCH RELEASE RETURN	1	
35	23271-41G31	ARM ,CLUTCH RELEASE	1	
36	09103-06223	BOLT (6X20)	1	
37	09134-06015	SCREW (6X73)	1	
38	09160-10020	WASHER (10.5X24X1)	1	
39	09160-15045	WASHER (15.5X28X1)	1	
40	09263-15003	BEARING (15X28X2)	1	
41	09263-10014	BEARING (10X14X10)	1	
42	09263-12027	BEARING (12X18X12)	1	
43	09282-10012	OIL SEAL (10X20X6)	1	
44	09283-06010	OIL SEAL (6X34X10.5)	1	
45	09285-10004	OIL SEAL (10X17X5)	1	
46	08310-0006A	NUT	1	

FIG.206A

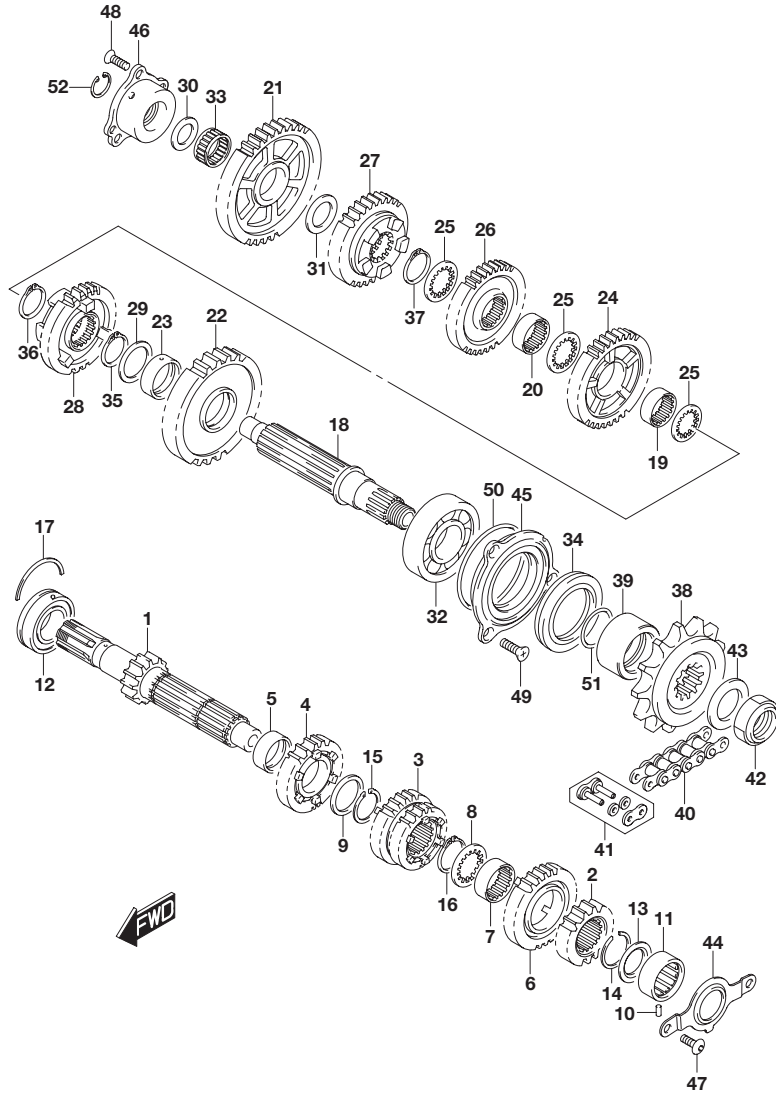


FIG.206A (1-C-13) TRANSMISSION

REF NO.	PART NO.	DESCRIPTION	Q'TY	REMARKS
1	24120-47H10	SHAFT ,CNTR(NT:16)	1	
2	24221-40F30	GEAR ,2ND DRIVE(NT:19)	1	
3	24231-47H00	GEAR ,3RD & 4TH DRIVE (NT:21/24)	1	
4	24251-47H00	GEAR ,5TH DRIVE(NT:25)	1	
5	24252-24F10	BUSH ,5TH DRIVE GEAR	1	
6	24261-47H00	GEAR ,6TH DRIVE (NT:26)	1	
7	24262-24F20	BUSH ,6TH DRIVE GEAR	1	
8	09167-27001	LOCK WASHER	1	
9	09160-27008	WASHER (27X36X1)	1	
10	04221-07129	PIN	1	
11	09263-20103	BEARING (20X34X16)	1	LH
12	09267-25013	BEARING (25X52X20.6)	1	RH
13	09285-20006	OIL SEAL (20X31.2X2.7)	1	
14	09380-27004	CIRCLIP	1	
15	09380-27006	CIRCLIP	1	
16	09380-27006	CIRCLIP	1	
17	09390-58001	C RING	1	
18	24131-47H00	SHAFT ,DRIVE	1	
19	24332-24F20	BUSH ,3RD DRIVEN GEAR	1	
20	24332-24F20	BUSH ,4TH DRIVEN GEAR	1	
21	24311-47H00	GEAR ,1ST DRIVEN(NT:41)	1	
22	24321-47H00	GEAR ,2ND DRIVEN(NT:39)	1	
23	24322-24F20	BUSH ,2ND DRIVEN GEAR	1	
24	24331-47H10	GEAR ,3RD DRIVEN(NT:36)	1	
25	24333-47H00	WASHER ,3RD & 4TH DRIVE	3	

FIG.206A

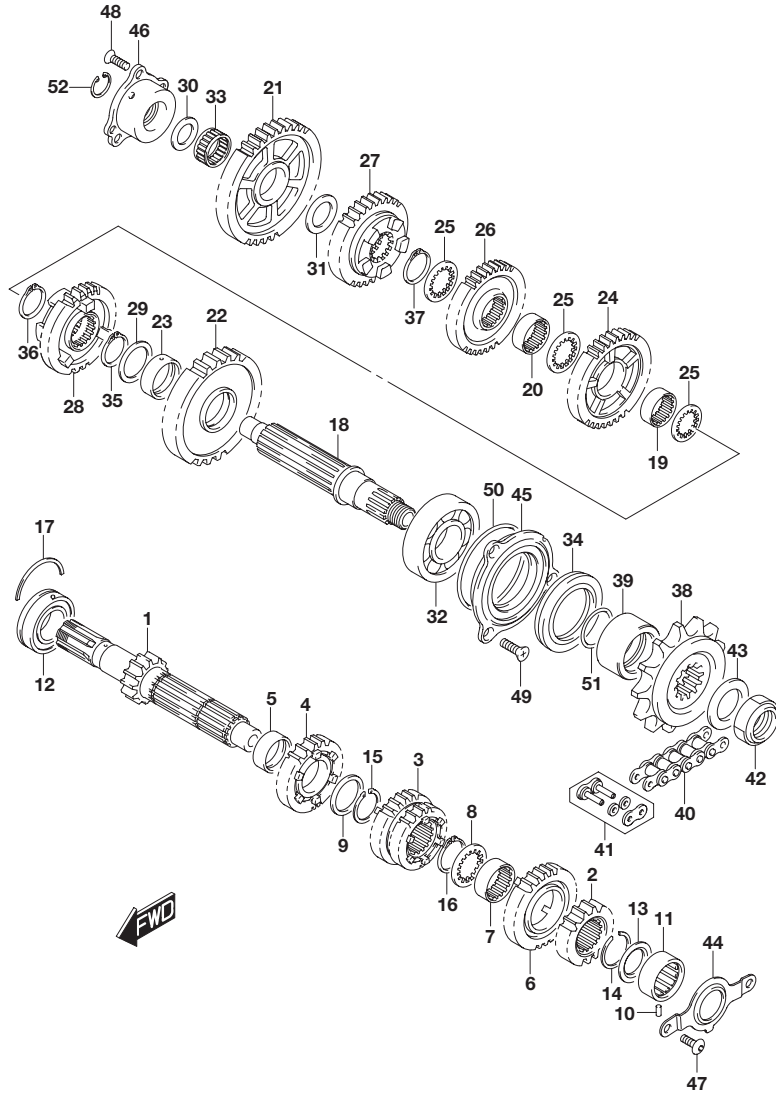


FIG.206A (1-C-14) TRANSMISSION

REF NO.	PART NO.	DESCRIPTION	Q'TY	REMARKS
26	24341-47H10	GEAR ,4TH DRIVEN(NT:36)	1	
27	24351-47H00	GEAR ,5TH DRIVEN(NT:34)	1	
28	24361-47H00	GEAR ,6TH DRIVEN(NT:33)	1	
29	09181-30167	SHIM (30X40X1)	1	
30	09181-22223	SHIM (22X34X1)	1	RH
31	09181-24005	SHIM (24X34X1)	1	LH
32	09267-30014	BEARING (30X62X23.8)	1	LH
33	09263-24030	BEARING (24X28X13)	1	
34	09283-38027	OIL SEAL (38X56X7)	1	
35	09380-30009	CIRCLIP	1	
36	09380-30009	CIRCLIP	1	
37	09380-30009	CIRCLIP	1	
38	27510-15H10	SPROCKET ,ENGINE	1	
39	27531-47H00	SPACER , ENGINE SPROCKET	1	
40	27600-40F20-114	CHAIN ASSY ,DRIVE (DID50VAZ)	1	
41	27620-40F20	JOINT SET ,DRIVE CHAIN	1	OPT
42	09159-22008	NUT	1	
43	09181-27016	SHIM (27X42X1.5)	1	
44	24741-01H00	RETAINER ,CL PUSH ROD	1	
45	24751-47H00	RETAINER ,DRIVE SHAFT BRG ,L	1	
46	24771-01820	HOUSING ,DRIVE SHAFT SET	1	
47	09139-06153	SCREW (6X13)	2	
48	09139-06159	SCREW (6X20)	3	
49	09139-06159	SCREW (6X20)	3	
50	09280-62004	O RING (D:1.9 ,D:61.5)	1	
51	09280-26005	O RING (D:2.4 ,D:26.2)	1	
52	08331-41349	CIRCLIP	1	

FIG.212A

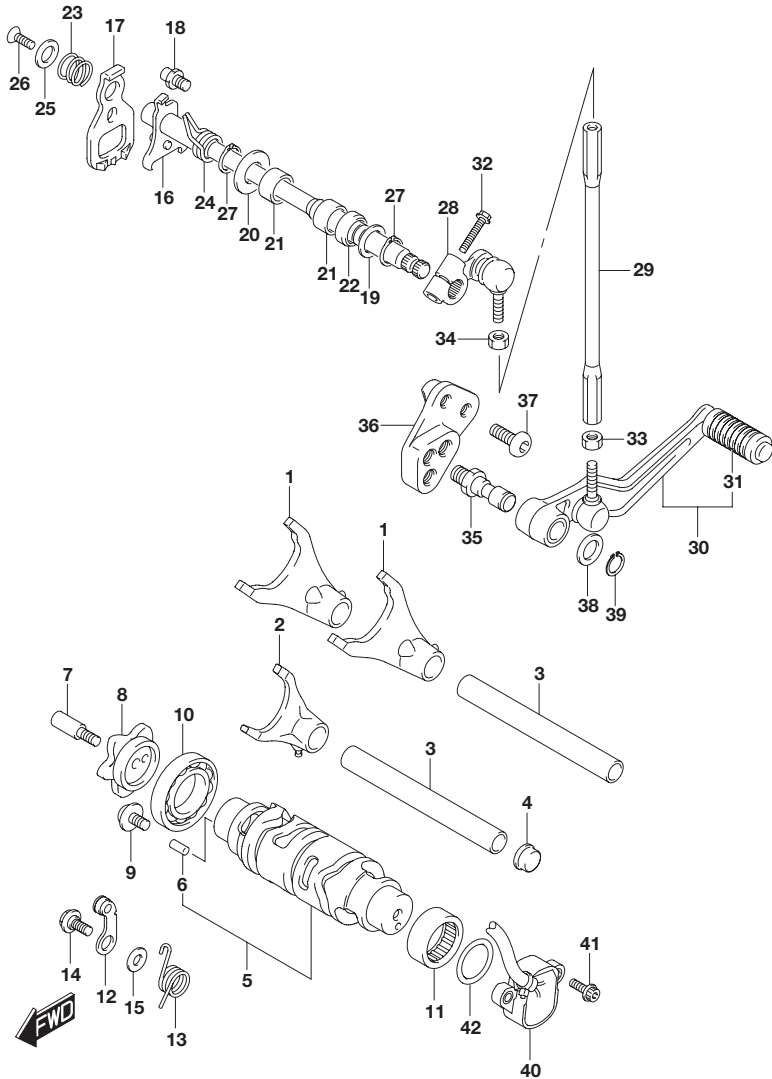


FIG.212A (1-C-15) GEAR SHIFTING

REF NO.	PART NO.	DESCRIPTION	Q'TY	REMARKS
1	25211-01H10	FORK ,GEAR SHIFT NO.1	2	
2	25231-01H01	FORK ,GEAR SHIFT NO.3	1	
3	25411-27A00	SHAFT ,GEAR SHIFT FORK	2	
4	25712-37H00	PLUG ,GEAR SHIFT FORK SHAFT	1	
5	25310-47H00	CAM ,GEAR SHIFT	1	
6	04221-04089	.PIN	1	
7	25312-42F01	BOLT ,GEAR SHIFT CAM PLATE	1	
8	25381-13E30	PLATE ,GEAR SHIFT CAM	1	
9	09136-06147	SCREW (6X12)	2	
10	09262-25006	BEARING (25X47X8)	1	
11	09263-25018	BEARING (25X32X12)	1	LH
12	25350-06G00	STOPPER ,SHIFT CAM	1	
13	25355-01H00	SPRING ,GEAR SHIFT CAM	1	
14	09111-06041	BOLT (6X14.3)	1	
15	08211-06141	WASHER	1	
16	25510-47H00	SHAFT ,GEAR SHIFT	1	
17	25512-06G10	PLATE ,GEAR SHIFT CAM DRIVE	1	
18	25671-01011	STOPPER ,GEAR SHIFT ARM	1	
19	09160-14016	WASHER(14X29X0.8)	1	LH
20	09181-14195	SHIM (14X24X1)	1	
21	09263-14027	BEARING (14X20X12)	2	
22	09283-14005	OIL SEAL (14X22X7.3)	1	
23	25518-01H00	SPRING ,GEAR SHIFT PLATE	1	
24	09444-20001	SPRING	1	
25	25519-01H00	WASHER ,GEAR SHIFT SHAF END	1	
26	09126-06014	SCREW (6X16)	1	
27	08331-3114A	CIRCLIP	2	

FIG.212A

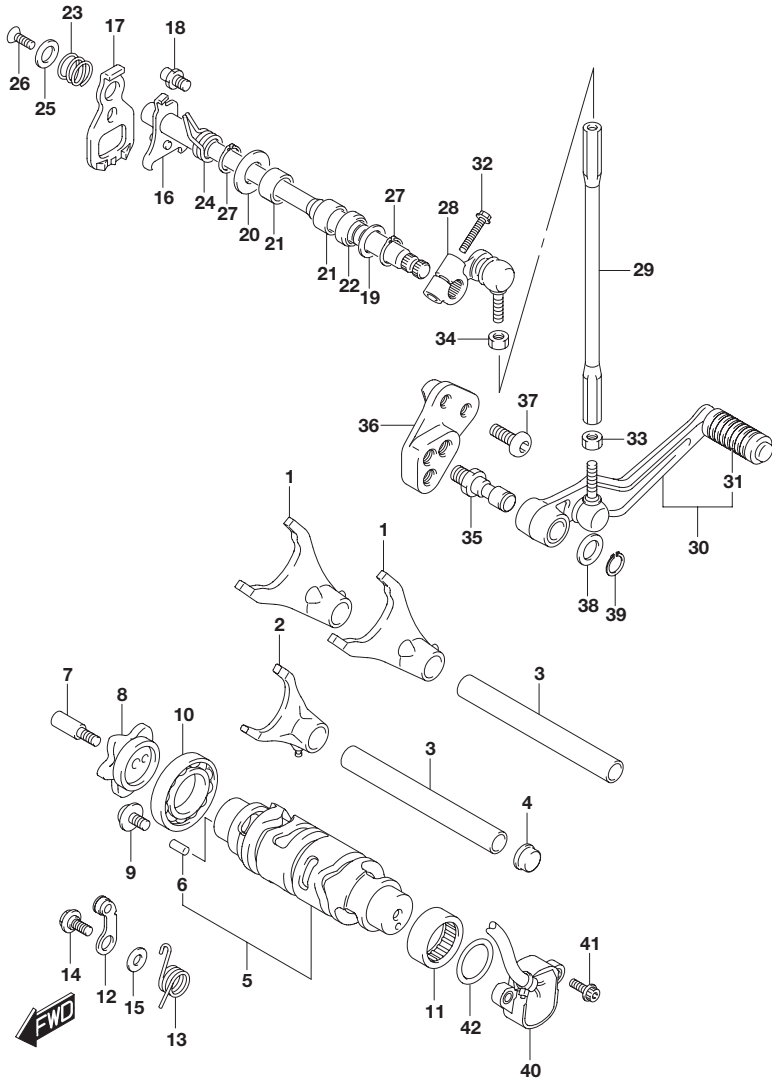


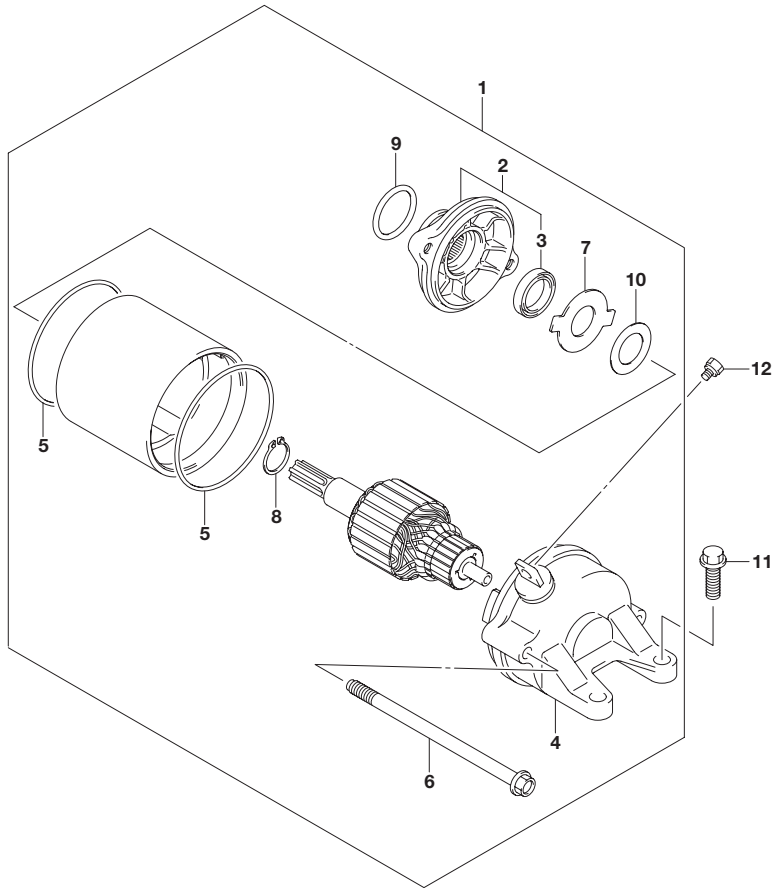
FIG.212A (1-D-2) GEAR SHIFTING

REF NO.	PART NO.	DESCRIPTION	Q'TY	REMARKS
28	25520-01H00	ARM , GEAR SHIFT LINK	1	
29	25525-01H00	ROD , GEAR SHIFT LINK	1	
30	25600-47H00	LEVER ASSY , GEAR SHIFT	1	
31	25652-20C00	.RUBBER , GEAR SHIFT PEDAL	1	
32	01547-0625A	BOLT	1	
33	09140-06025	NUT	1	
34	09140-06020	NUT	1	
35	25617-03F10	SHAFT , GEAR SHIFT LEVER	1	
36	25681-47H01	BRACKET , GEAR SHIFT LEVER	1	
37	09106-08167	BOLT (8X20)	2	
38	09160-12011	WASHER (12.5X20X1)	1	
39	08331-3112A	CIRCLIP	1	
40	37730-14J00	SENSOR ASSY , GEAR POSITION	1	
41	09106-05023	BOLT (5X16)	2	
42	09280-26005	O RING (D:2.4 ,ID:26.2)	1	

FIG.301A

FIG.301A (1-D-3) STARTING MOTOR

3



REF NO.	PART NO.	DESCRIPTION	Q'TY	REMARKS
1	31100-47H00	MOTOR ASSY , STARTING	1	
2	31150-40F01	.HOUSING ASSY	1	
3	31153-49210	..OIL SEAL	1	
4	31175-40F01	.FRAME ASSY	1	
5	31264-32C10	.O RING	2	
6	31281-40F00	.BOLT	2	
7	31361-32C10	.PLATE , LOCK	1	
8	31361-10200	.RING ,SNAP	1	
9	31156-40F01	.O RING	1	COLOR:BROWN
10	31361-38300	.SHIM	1	
11	09103-06223	BOLT (6X20)	2	
12	09137-05004	SCREW (5X8)	1	



FIG.304A

FIG.304A (1-D-4) GENERATOR

REF NO.	PART NO.	DESCRIPTION	Q'TY	REMARKS
1	31401-47H10	STATOR ASSY	1	
2	31402-47H01	ROTOR ASSY	1	
3	32371-13E30	CLAMP ,GENERATOR LEAD WIRE	1	
4	07130-0512A	BOLT	1	
5	07130-0625A	BOLT	3	

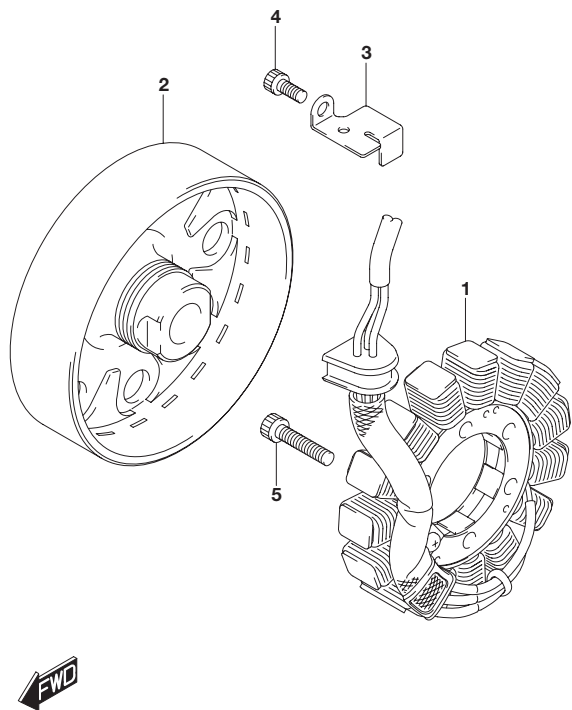
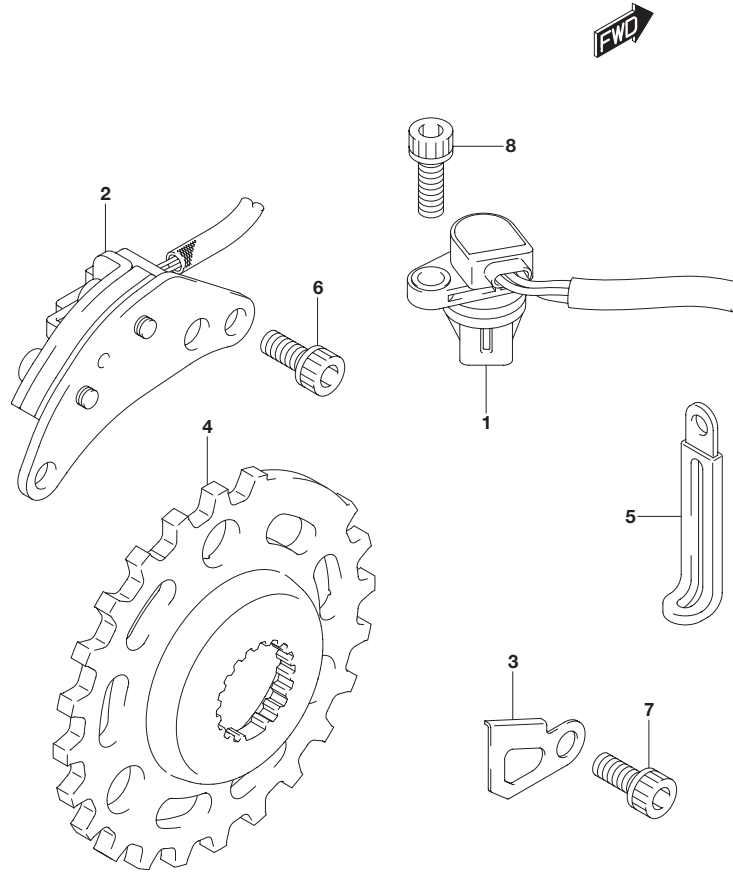


FIG.306A

FIG.306A (1-D-5) SIGNAL GENERATOR

3



REF NO.	PART NO.	DESCRIPTION	Q'TY	REMARKS
1	33220-01H00	SENSOR ASSY ,CAM POSITION	1	
2	33110-47H00	STATOR ,SIGNAL GENERATOR	1	
3	33115-47H00	CLAMP ,SIG GENERATOR	1	
4	33120-47H00	ROTOR ,SIGNAL GENERATOR	1	
5	09404-06429	CLAMP (L:45)	1	
6	07130-0510A	BOLT	2	
7	07130-0510A	BOLT	1	
8	07130-0616A	BOLT	1	

FIG.310A

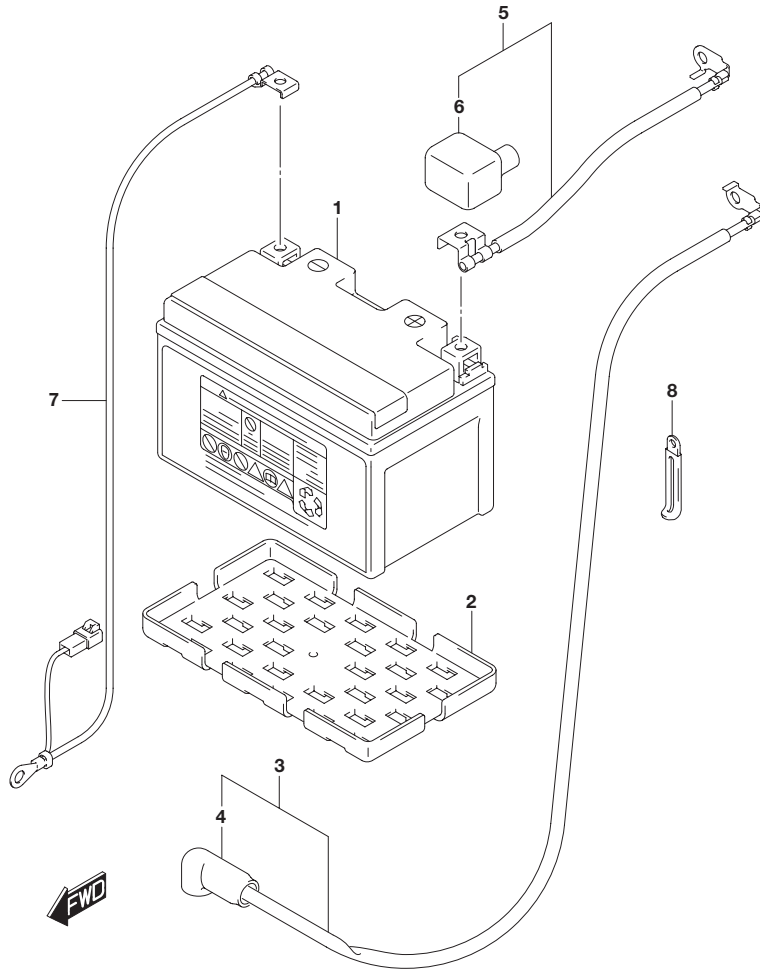


FIG.310A (1-D-6) BATTERY

REF NO.	PART NO.	DESCRIPTION	Q'TY	REMARKS
1	33610-14G11	BATTERY ASSY (FT12A - BS , 12V10AH)	1	
2	33652-16G00	PROTECTOR , BATTERY	1	
3	33810-47H10	WIRE , STARTER MOTOR LEAD	1	
4	36618-43410	.CAP	1	
5	33820-47H10	WIRE , BATTERY PLUS LEAD	1	
6	33624-16G00	.CAP , BATTERY PLUS	1	
7	33860-47H10	WIRE , BATTERY MINUS LEAD	1	
8	09404-06429	CLAMP (L:45)	1	

FIG.312A

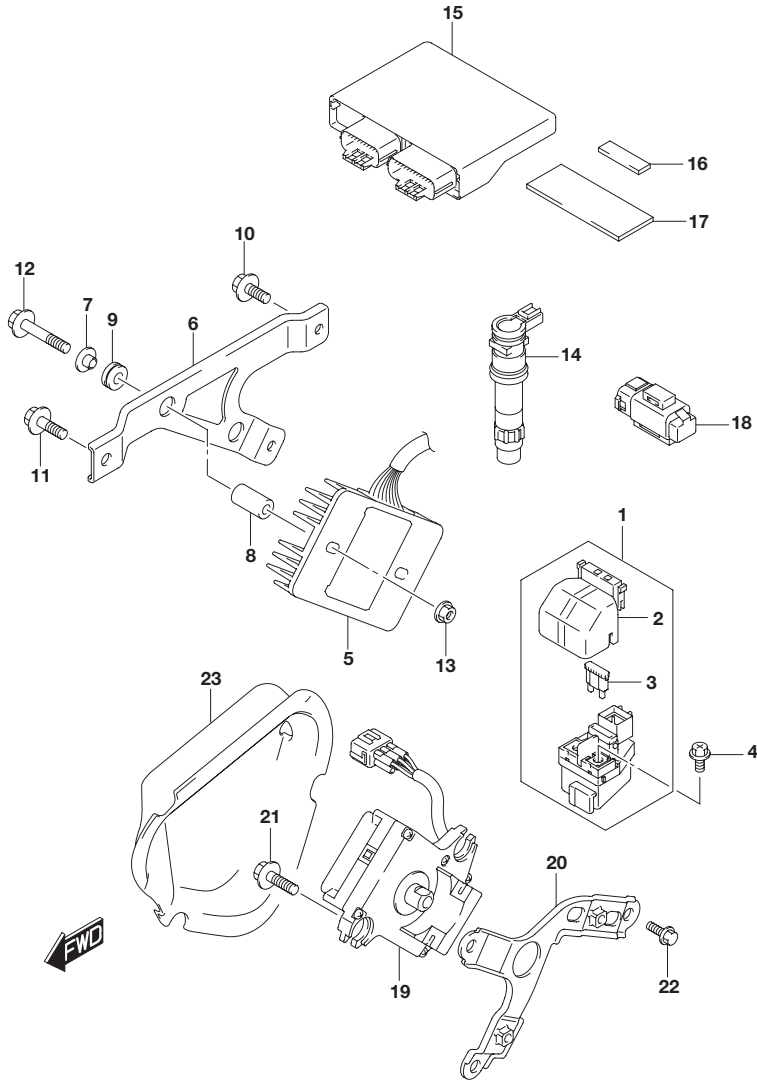


FIG.312A (1-D-7) ELECTRICAL

REF NO.	PART NO.	DESCRIPTION	Q'TY	REMARKS
1	31800-41G10	RELAY ASSY , STARTING MOTOR	1	
2	31861-38G00	.COVER	1	
3	09481-30501	.FUSE (30A)	2	
4	09128-06013	SCREW (6X8)	2	
5	32800-47H00	RECTIFIER ASSY	1	
6	32831-47H10	BRACKET , RECT FTG	1	
7	09180-06325	SPACER (6.2X8.4X6.9)	2	
8	09180-06345	SPACER (6.2X14.5X26)	2	
9	09320-08066	CUSHION	2	
10	01550-0616A	BOLT	2	
11	09103-06286	BOLT (6X20)	1	
12	01550-0645A	BOLT	2	
13	08316-1006A	NUT	2	
14	33410-47H00	COIL ASSY , IGNITION	4	
15	32920-47HH0	CONTROL UNIT , FI	1	
16	33652-23H20	CUSHION , FI CONTROL UNIT	1	
17	33652-34000	PROTECTOR (30X80X2)	1	
18	33960-27G00	SENSOR ASSY , FUEL CUT	1	
19	33970-47H01	ACTUATOR ASSY , EXHAUST	1	
20	33971-47H00	HOLDER , ACTUATOR	1	
21	09116-06202	BOLT (6X25)	2	
22	01547-0612A	BOLT	3	
23	33977-47H00	COVER , ACTUATOR	1	

FIG.330A

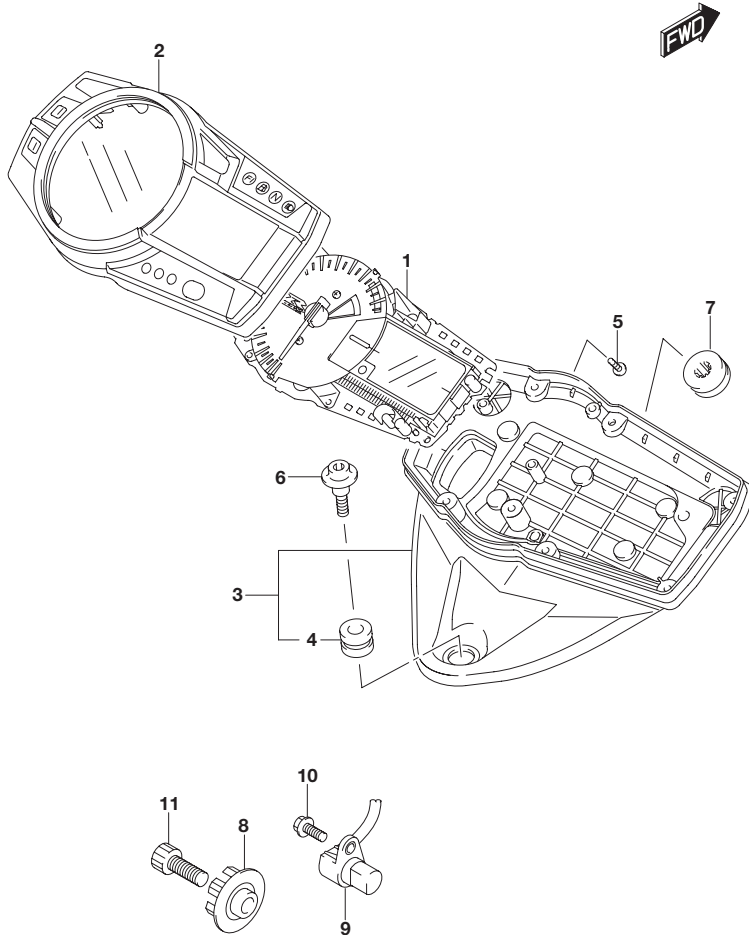


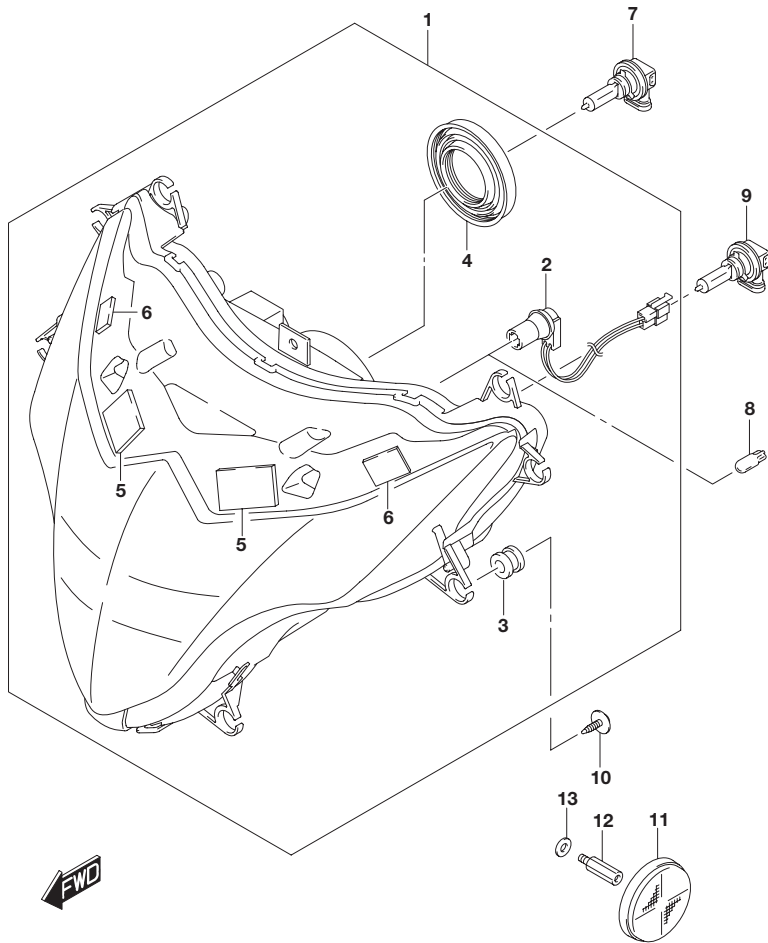
FIG.330A (1-D-8) SPEEDOMETER

REF NO.	PART NO.	DESCRIPTION	Q'TY	REMARKS
1	34120-47H60	COMBINATION METER	1	
2	34150-47H00	CASE ASSY , UPPER	1	
3	34111-47H00	CASE ASSY , LOWER	1	
4	34955-33E00	.CUSHION , RUBBER	1	
5	09132-03008	SCREW (3X16)	8	
6	34149-18G00	SCREW , SPEEDOMETER	1	
7	34955-13E00	CUSHION , SPEEDOMETER	2	
8	34981-47H01	ROTOR , SPEED	1	
9	34990-35F00	SENSOR , SPEED	1	
10	07120-0512B	BOLT	1	
11	07130-0825B	BOLT	1	

FIG.333A

FIG.333A (1-D-9) HEADLAMP

3



REF NO.	PART NO.	DESCRIPTION	Q'TY	REMARKS
1	35100-47H31-999	HEADLAMP ASSY	1	
2	36118-29G51	.CORD ASSY	2	
3	09320-09039	.CUSHION	8	
4	35179-76F10	.COVER , SOCKET	2	
5	44572-02F01	.FASTENER	2	
6	44572-37H00	.FASTENER , COWLING	2	
7	09471-12210	BULB(12V55W)	1	
8	09471-12216	BULB(12V5W)	2	
9	09471-12222	BULB(12V65W)	1	
10	09136-05062	SCREW (5X15)	8	
11	35950-14A11	REFLEX REFLECTOR ASSY ,FR SIDE	2	
12	09119-06109	BOLT	2	
13	09160-08043	WASHER (8.5X18X1)	2	

FIG.334A

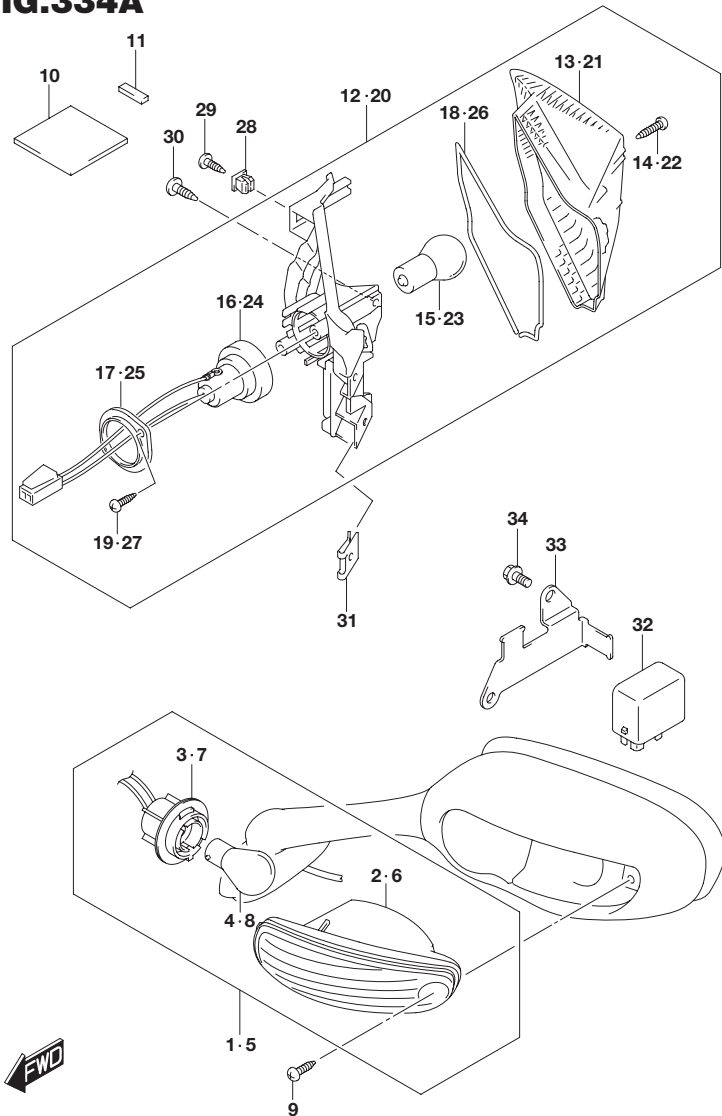


FIG.334A (1-D-10) TURNSIGNAL LAMP

REF NO.	PART NO.	DESCRIPTION	Q'TY	REMARKS
1	35601-41G00	LAMP ASSY ,FRONT TURNSIGNAL RH	1	
2	35610-41G00	.LAMP UNIT ,RH	1	
3	35618-10G50	.SOCKET ,RH	1	
4	09471-12186	.BULB (12V21W)	1	
5	35602-41G00	LAMP ASSY ,FRONT TURNSIGNAL LH	1	
6	35630-41G00	.LAMP UNIT ,LH	1	
7	35638-10G50	.SOCKET ,LH	1	
8	09471-12186	.BULB (12V21W)	1	
9	09132-04032	SCREW (4X20)	2	
10	33652-21G10	CUSHION ,FR TURN(40X20X5)	2	
11	94443-21H00	TAPE ,FR TURN	2	
12	35603-47H00	LAMP ASSY ,REAR TURNSIGNAL RH	1	
13	35652-47H00	.LENS ,RH	1	
14	03211-0416A	.SCREW	1	
15	09471-12186	.BULB (12V21W)	1	
16	35658-41G00	.SOCKET & CORD ,RH	1	
17	35716-07A30	.PLATE	1	
18	35653-47H00	.GASKET	1	
19	03211-0412A	.SCREW	2	
20	35604-47H00	LAMP ASSY ,REAR TURNSIGNAL LH	1	
21	35672-47H00	.LENS ,LH	1	
22	03211-0416A	.SCREW	1	
23	09471-12186	.BULB (12V21W)	1	
24	35678-41G00	.SOCKET & CORD ,LH	1	
25	35716-07A30	.PLATE	1	
26	35653-47H00	.GASKET	1	
27	03211-0412A	.SCREW	2	

FIG.334A

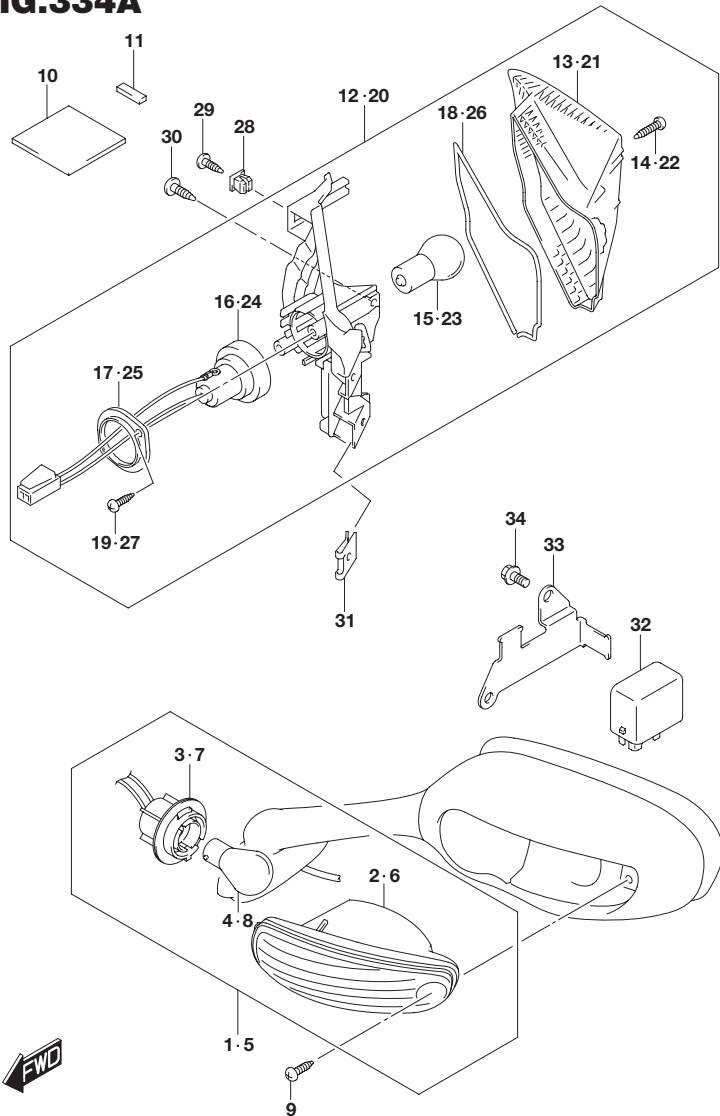


FIG.334A (1-D-11) TURN SIGNAL LAMP

REF NO.	PART NO.	DESCRIPTION	Q'TY	REMARKS
28	09148-04021	NUT	2	
29	03541-0412A	SCREW	2	
30	03541-0512A	SCREW	4	
31	09148-05038	NUT	4	
32	38610-03F00	RELAY ASSY ,TURN SIGNAL LAMP	1	
33	38621-37H00	BRACKET ,RELAY	1	
34	01550-0612A	BOLT	2	

3

FIG.339A

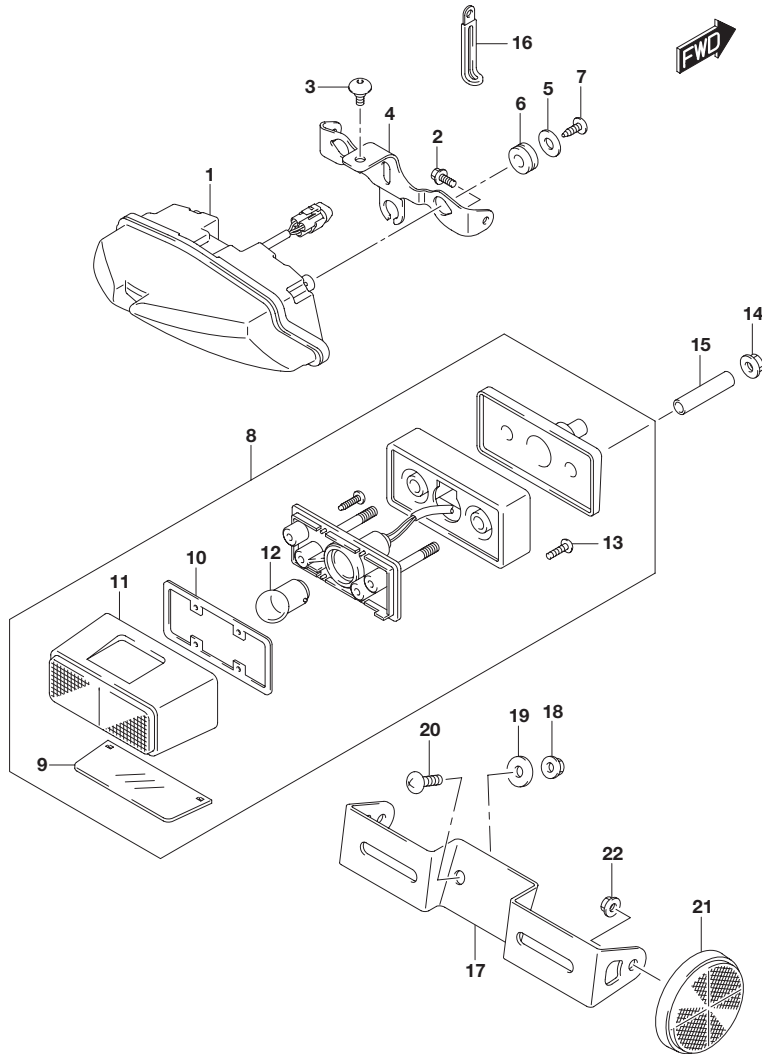


FIG.339A (1-D-12) REAR COMBINATION LAMP

REF NO.	PART NO.	DESCRIPTION	Q'TY	REMARKS
1	35710-14JA0	LAMP ASSY ,REARCOMBINATION	1	
2	09106-05031	BOLT (5X12)	2	
3	09139-06152	SCREW (6X12)	1	
4	35726-47H00	BRACKET ,REARCOMBINATION LAMP	1	
5	09160-05501	WASHER (5.5X20X1.2)	3	
6	09320-10049	CUSHION	3	
7	03541-0516A	SCREW	3	
8	35910-41G31	LAMP ASSY ,LICENSE	1	
9	35912-41G01	.LENS ,LICENSE	1	
10	35913-41G00	.GASKET	1	
11	35917-41G00	.COVER ,LICENSE LAMP	1	
12	09471-12140	.BULB (12V5W)	1	
13	03211-0416A	.SCREW	2	
14	09159-06096	NUT	2	
15	09180-06356	SPACER (6.5X9X9.5)	2	
16	09404-06429	CLAMP (L:45)	1	
17	35927-41G30	BRACKET ,LICENSE PLATE	1	
18	08316-1006A	NUT	2	
19	09160-06077	WASHER (6.5X20X1.2)	2	
20	02142-0616A	SCREW	2	
21	35970-14A20	REFLECTOR ASSY ,REAR SIDE	2	
22	08316-1005A	NUT	2	

FIG.350A

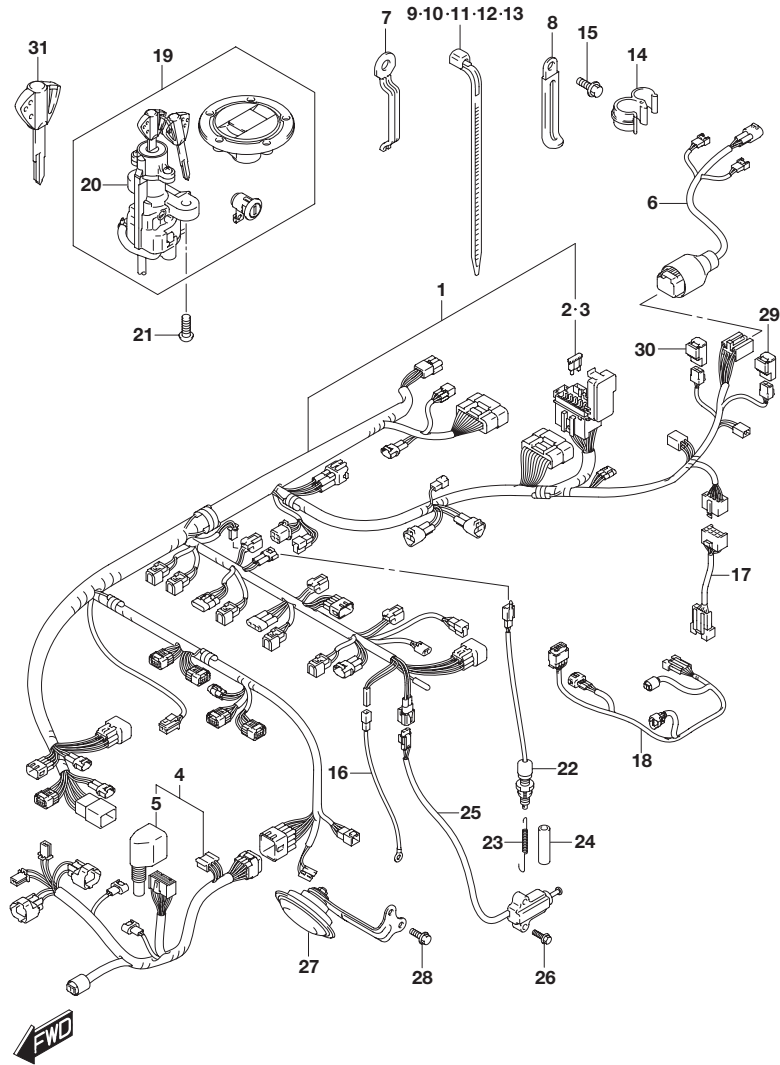


FIG.350A (1-D-13) WIRING HARNESS

REF NO.	PART NO.	DESCRIPTION	Q'TY	REMARKS
1	36610-47HB0	HARNESS ,WIRING NO.1	1	
2	09481-10501	.FUSE (10A)	4	
3	09481-15501	.FUSE (15A)	2	
4	36620-47H10	HARNESS ,WIRING NO.2	1	
5	36618-47H00	.COVER ,CONNECTOR	1	
6	36855-47H00	WIRE ,REARCOMBINATION	1	
7	09403-06322	CLAMP	2	
8	09404-06429	CLAMP (L:45)	3	
9	09407-14403	CLAMP (L:125)	2	
10	09407-11401	CLAMP (L:95)	1	
11	09407-18402	CLAMP (L:165)	3	
12	09407-19401	CLAMP (L:190)	2	
13	09407-19401	CLAMP (L:190)	1	
14	09408-00242	CLAMP	1	
15	01547-0612A	BOLT	2	
16	36851-47H00	WIRE ,OIL PRESSURE SWITCH	1	
17	36857-47H00	WIRE ,RELAY LEAD	1	
18	36859-47H10	WIRE ,ISC LEAD	1	
19	37101-40821	LOCK SET	1	
20	37100-41G11	.LOCK ASSY ,STEERING	1	
21	09139-08016	BOLT (8X20)	2	
22	37740-31D00	SWITCH ASSY , STOP LAMP	1	
23	09443-06087	SPRING	1	
24	09352-50823-600	HOSE (5X8.2X600)	1	L:600 60
25	37840-47H00	SWITCH ASSY ,SIDE STAND	1	
26	09103-06286	BOLT (6X20)	2	
27	38500-47H00	HORN ASSY	1	
28	01550-0616B	BOLT	2	
29	38740-24X50	RELAY ASSY , FUEL PUMP	1	
30	38740-24X50	RELAY ASSY , FAN MOTOR	1	
31	37146-41G00	KEY ,BLANK	1	OPT

FIG.355A

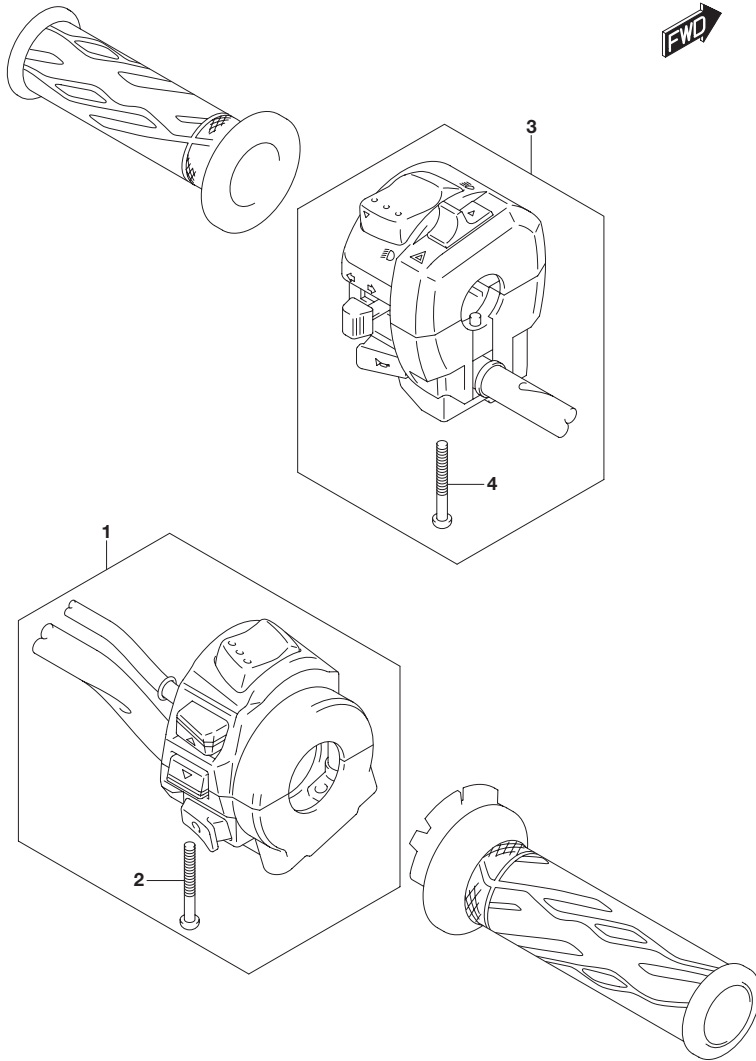


FIG.355A (1-D-14) HANDLE SWITCH

REF NO.	PART NO.	DESCRIPTION	Q'TY	REMARKS
1	37200-47H30	SWITCH ASSY ,HANDLE RH	1	
2	02112-0530B	.SCREW	2	
3	37400-47H10	SWITCH ASSY ,HANDLE LH	1	
4	02112-0535B	.SCREW	2	

FIG.401A

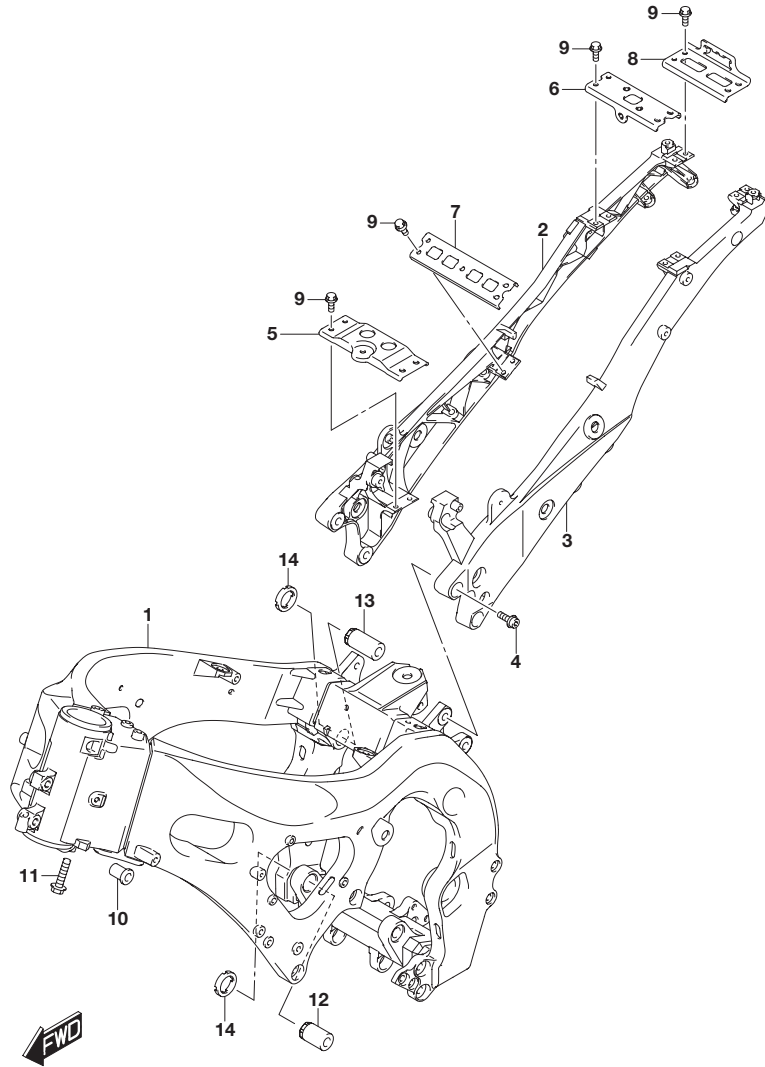


FIG.401A (1-D-15) FRAME

REF NO.	PART NO.	DESCRIPTION	Q'TY	REMARKS
1	41100-47H20-YAP	FRAME (BLACK)	1	
2	41211-47H00	RAIL , SEAT RH	1	
3	41221-47H00	RAIL , SEAT LH	1	
4	41233-18G20	BOLT , SEAT RAIL	4	
5	41770-01H00	BRIDGE , FRONT	1	
6	42730-47H00	BRIDGE , UPPER	1	
7	42741-37H00	BRIDGE , LOWER	1	
8	42751-47H00	BRIDGE , REAR	1	
9	09103-06285	BOLT (6X12)	16	
10	41911-40F01	SPACER , MOUNT	2	
11	09103-08512	BOLT (8X35)	2	
12	41921-47H00	BOLT , ADJUST	1	
13	41921-47H10	BOLT , ADJUST UPPER	1	
14	41922-47H00	NUT , ADJUST BOLT	2	

4

FIG.406A

FIG.406A (1-E-2) HOLDER

REF NO.	PART NO.	DESCRIPTION	Q'TY	REMARKS
1	47414-47H00	BRACKET ,PARTS HOLDER	1	
2	09139-06144	SCREW (6X12)	1	
3	09320-08028	CUSHION	2	
4	03541-0516A	SCREW	3	
5	09800-21056	TOOL ASSY	1	
6	33652-20C00	CUSHION , TOOL BAG	1	

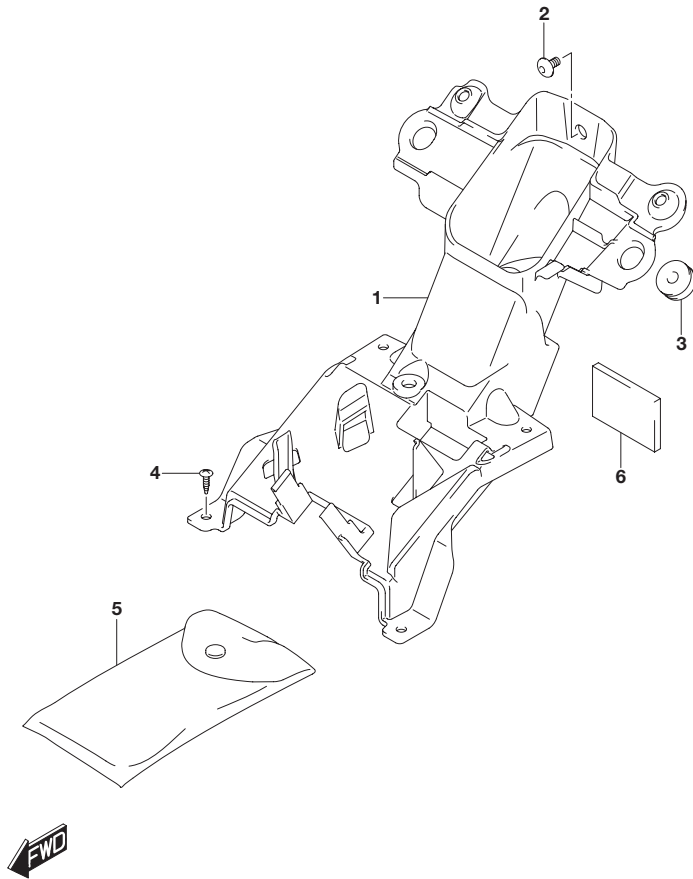


FIG.407A

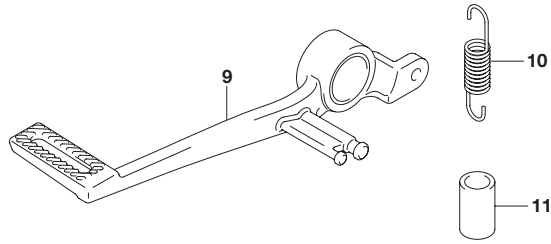


FIG.407A (1-E-3) STAND

REF NO.	PART NO.	DESCRIPTION	Q'TY	REMARKS
1	42310-47H10	STAND ,PROP	1	
2	42335-47H00	WASHER	2	
3	42411-47H00	BOLT	1	
4	09159-10103	NUT	1	
5	09443-14070	SPRING	1	NO.1
6	09443-19016	SPRING	1	NO.2
7	42330-47H11	BRACKET ,PROP STAND	1	
8	09106-10064	BOLT (10X28)	2	
9	43110-47H00	PEDAL ,BRAKE	1	
10	09443-11033	SPRING	1	
11	09352-11153-600	HOSE (11X15X600)	1	L:600 22

4

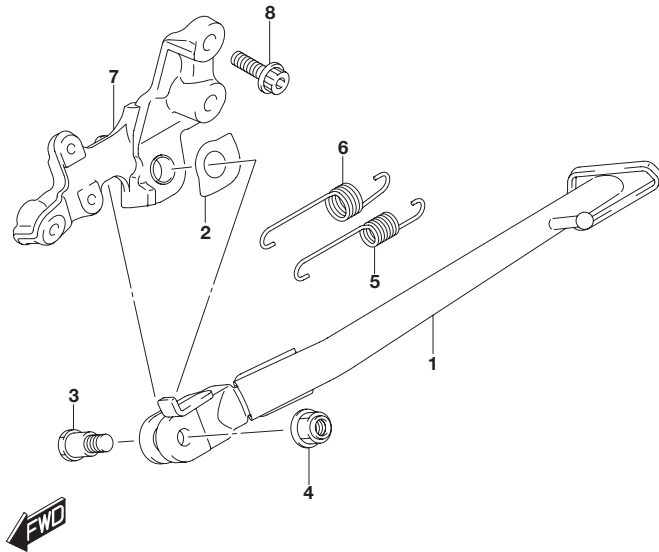


FIG.415A

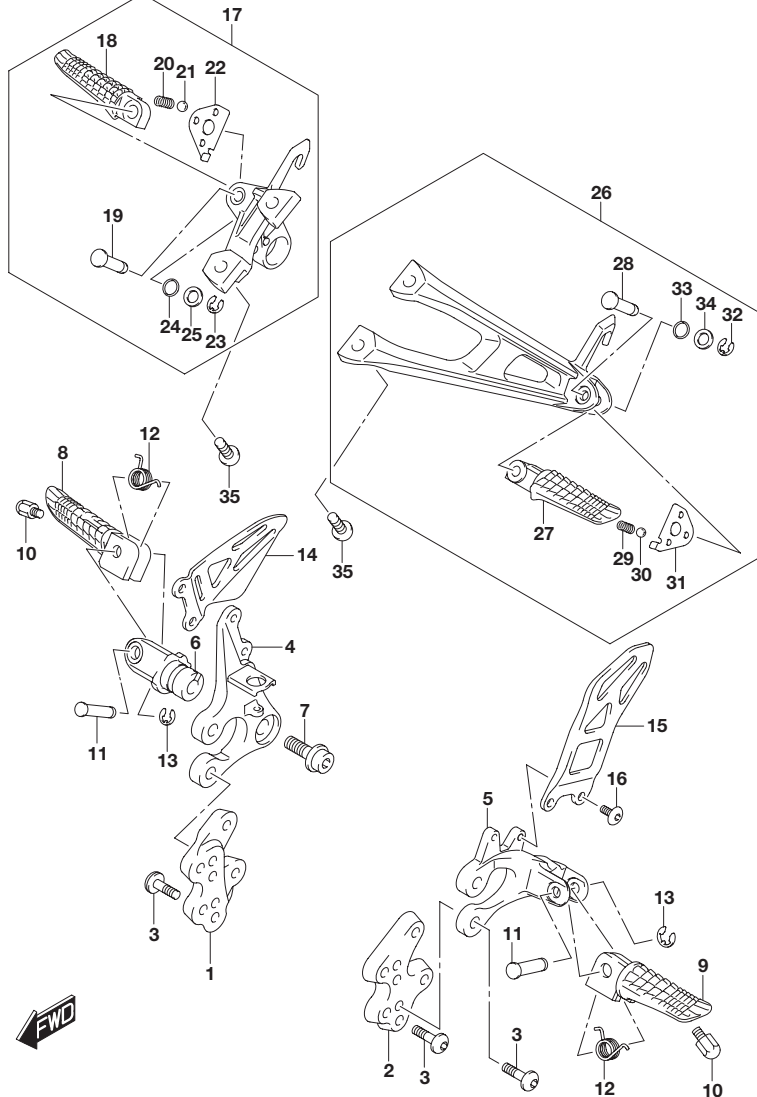


FIG.415A (1-E-4) FOOTREST

REF NO.	PART NO.	DESCRIPTION	Q'TY	REMARKS
1	43541-47H00	BRACKET ,FRONT NO.1 RH	1	
2	43551-47H00	BRACKET ,FRONT NO.1 LH	1	
3	09106-08186	BOLT (8X23)	8	
4	43511-47H00	BRACKET ,FRONT NO.2 RH	1	
5	43521-47H10	BRACKET ,FRONT NO.2 LH	1	
6	43531-41G10	HOLDER ,FOOTREST	1	
7	09106-10064	BOLT (10X28)	1	
8	43516-37H00	BAR , FOOTREST RH	1	
9	43526-37H00	BAR , FOOTREST LH	1	
10	43576-48B02	BOLT ,BANK SENSOR	2	
11	09208-08018	PIN	2	
12	09448-14037	SPRING	2	
13	08332-1106A	E RING	2	
14	43571-47H00	GUARD ,FOOTREST RH	1	
15	43576-47H10	GUARD ,FOOTREST LH	1	
16	43577-35F00	SCREW , LH	2	
17	43600-47H10	FOOTREST ASSY ,PILLION RH	1	
18	43611-37H00	.BRA ,RH	1	
19	09208-08014	.PIN	1	
20	09440-05005	.SPRING	1	
21	06111-07004	.BALL	1	
22	43816-47H00	.PLATE ,RH	1	
23	08332-1106A	.E RING	1	
24	18592-68K00	.O RING	2	
25	14289-37H00	.WASHER	1	

FIG.415A

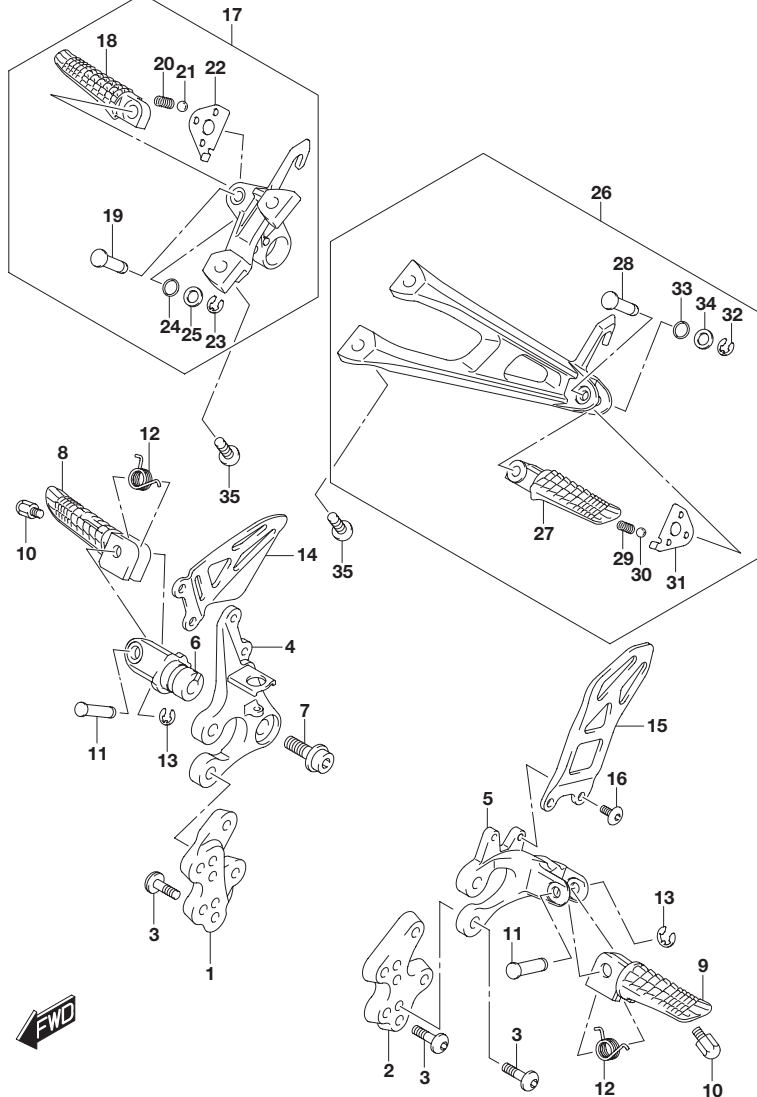


FIG.415A (1-E-5) FOOTREST

REF NO.	PART NO.	DESCRIPTION	Q'TY	REMARKS
26	43700-47H10	FOOTREST ASSY ,PILLION LH	1	
27	43621-37H00	.BRA ,LH	1	
28	09208-08014	.PIN	1	
29	09440-05005	.SPRING	1	
30	06111-07004	.BALL	1	
31	43826-47H00	.PLATE ,LH	1	
32	08332-1106A	.E RING	1	
33	18592-68K00	.O RING (D:2.4 ,D:6.9)	2	
34	14289-37H00	.WASHER	1	
35	09106-08186	BOLT (8X23)	4	

FIG.420A

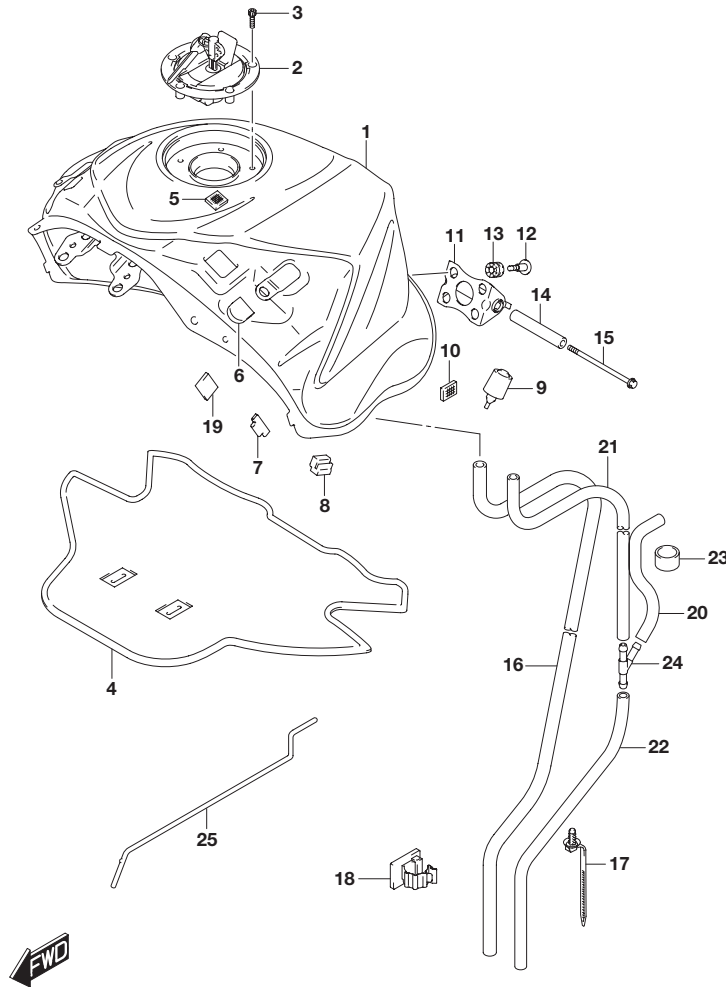


FIG.420A (1-E-6) FUEL TANK

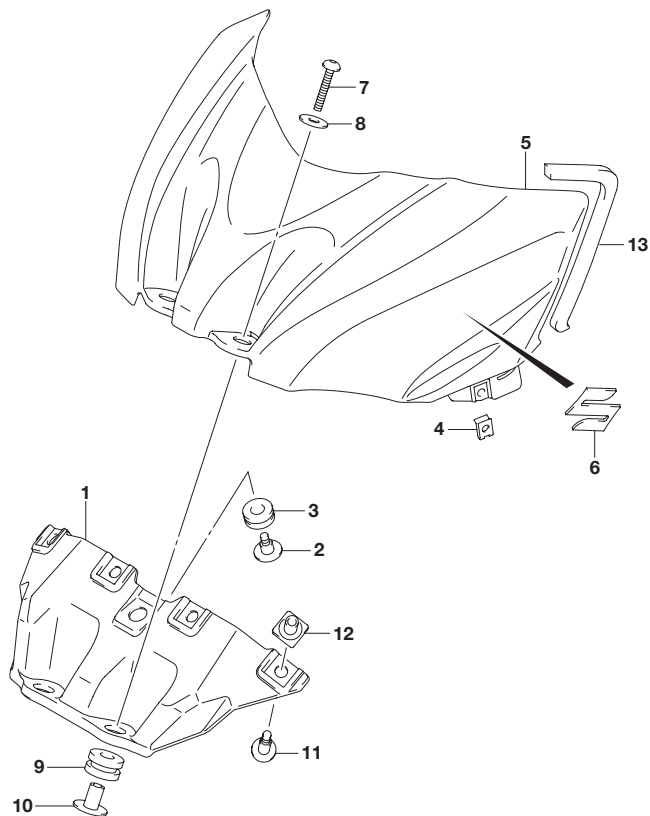
REF NO.	PART NO.	DESCRIPTION	Q'TY	REMARKS
1-1	44100-47H01-YSF	TANK ASSY ,FUEL(BLUE)	1	FOR AGQ
1-2	44100-47H01-YVB	TANK ASSY ,FUEL(BLACK)	1	FOR AR4
2	44200-16850	CAP SET ,FUEL TANK	1	
3	09106-05017	BOLT (5X20)	3	
4	44191-47H00	SHIELD ,FUEL TANK HEAT	1	
5	44572-44G00	FASTENER ,COVER FRONT	4	
6	09329-18001	CUSHION	2	
7	44276-21H00	CUSHION ,FRONT SIDE	2	
8	44541-41G00	CUSHION ,SIDE	2	
9	44542-41G00	CUSHION ,LOWER	2	
10	44572-13G00	FASTENER ,COVER SIDE	6	
11	44530-41G00	BRACKET ,REAR	1	
12	09139-06191	SCREW (6X22)	4	
13	09320-08071	CUSHION	4	
14	44561-18G00	SPACER ,JOINT	1	
15	09106-06119	BOLT (6X110)	1	
16	44423-47H00	HOSE ,DRAIN	1	
17	09407-17403	CLAMP (L:154)	1	
18	09403-14311	CLAMP	1	
19	61544-94500	CUSHION	2	
20	44424-15H10	HOSE ,TANK BREATHER NO.2	1	
21	44424-47H00	HOSE ,FUEL TANK BRTHR NO.1	1	
22	44424-47H10	HOSE ,FUEL TANK BRTHR NO.2	1	
23	09352-12163-600	HOSE (12X16X600)	1	L:600 10
24	09367-06007	3 WAY	1	
25	44574-35F00	STAY ,FUEL TANK	1	OPT

COLOR : AGQ=YSF (BLUE) , YWW (WHITE)
 : AR4=YVB (BLACK) , PGZ (GRAY)

FIG.422A

FIG.422A (1-E-7) FUEL TANK FRONT COVER

4



REF NO.	PART NO.	DESCRIPTION	Q'TY	REMARKS
1	44521-47H00	BRACKET ,FRONT	1	
2	09139-05078	SCREW (5X16.4)	1	
3	09320-08021	CUSHION	1	
4	09148-05052	NUT	3	
5-1	44291-47H00-YSF	COVER ,FRONT(BLUE)	1	FOR AGQ
5-2	44291-47H00-YVB	COVER ,FRONT(BLACK)	1	FOR AR4
6	68111-47HA0	EMBLEM "S"	2	
7	09139-06105	SCREW (6X40)	2	
8	09160-06012	WASHER (6.5X22X1.6)	2	
9	09320-10050	CUSHION	2	
10	44512-47H00	SPACER	2	
11	09139-06181	SCREW (6X10)	4	
12	44523-47H00	NUT	4	
13	44277-37H00	CUSHION	2	

COLOR : AGQ=YSF (BLUE) , YWW (WHITE)
 : AR4=YVB (BLACK) , PGZ (GRAY)



FIG.443A

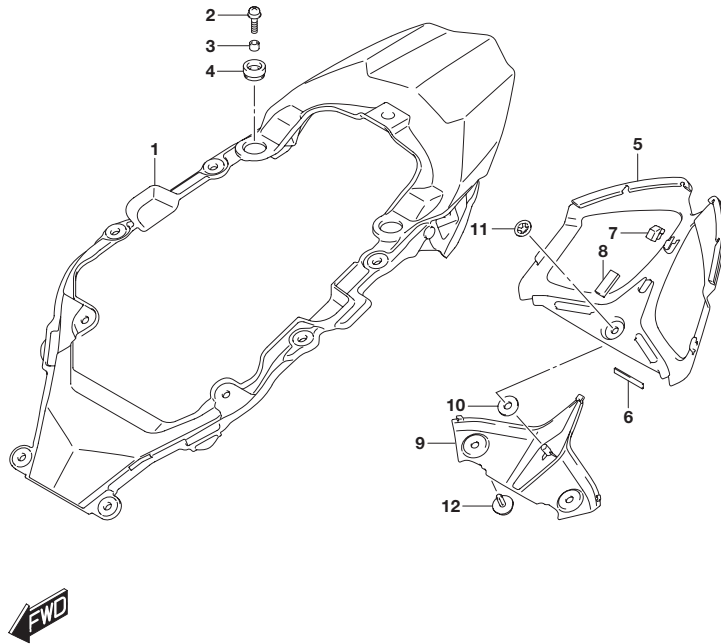


FIG.443A (1-E-8) FRAME CENTER COVER

REF NO.	PART NO.	DESCRIPTION	Q'TY	REMARKS
1-1	47310-47H00-YSF	COVER ,FRAME CENTER(BLUE)	1	FOR AGQ
1-2	47310-47H00-YVB	COVER ,FRAME CENTER(BLACK)	1	FOR AR4
2	09136-06056	SCREW (6X16)	2	
3	09180-06283	SPACER (6.5X10X7)	2	
4	47312-37H00	CUSHION	2	
5-1	47911-47H00-YVB	COVER ,REAR CENTER(BLACK)	1	FOR AGQ
5-2	47911-47H00-YKV	COVER ,REAR CENTER(BLACK)	1	FOR AR4
6	47912-47H00	CUSHION	2	
7	47913-37H00	CUSHION	1	
8	94413-08F00	CUSHION	1	
9-1	47921-47H00-YWW	COVER ,REAR LOWER(WHITE)	1	FOR AGQ
9-2	47921-47H00-YVB	COVER ,REAR LOWER(BLACK)	1	FOR AR4
10	09320-06501	CUSHION	1	
11	09148-05006	NUT	1	
12	09409-06328	CLIP	2	

COLOR : AGQ=YSF (BLUE) , YWW (WHITE)
 : AR4=YVB (BLACK) , PGZ (GRAY)

FIG.445A

FIG.445A (1-E-9) FRAME COVER

REF NO.	PART NO.	DESCRIPTION	Q'TY	REMARKS
1-1	47111-47H00-YWW	COVER ,FRAME RH(WHITE)	1	FOR AGQ
1-2	47111-47H00-YVB	COVER ,FRAME RH(BLACK)	1	FOR AR4
2-1	47211-47H00-YWW	COVER ,FRAME LH(WHITE)	1	FOR AGQ
2-2	47211-47H00-YVB	COVER ,FRAME LH(BLACK)	1	FOR AR4
3	47133-43H00	SCREW ,FRONT	2	
4	09320-08021	CUSHION	2	
5	09409-06314-5PK	CLIP (BLACK)	2	
6	09409-06328	CLIP	4	
7	09148-05038	NUT	2	
8-1	47611-47H00-YVB	COVER ,FRAME REAR RH(BLACK)	1	FOR AGQ
8-2	47611-47H00-YKV	COVER ,FRAME REAR RH(BLACK)	1	FOR AR4
9-1	47621-47H00-YVB	COVER ,FRAME REAR LH(BLACK)	1	FOR AGQ
9-2	47621-47H00-YKV	COVER ,FRAME REAR LH(BLACK)	1	FOR AR4
10	03541-0512A	SCREW	2	
11	09409-06328	CLIP	4	
12	09320-06504	CUSHION	2	

COLOR : AGQ=YSF (BLUE) , YWW (WHITE)
 : AR4=YVB (BLACK) , PGZ (GRAY)

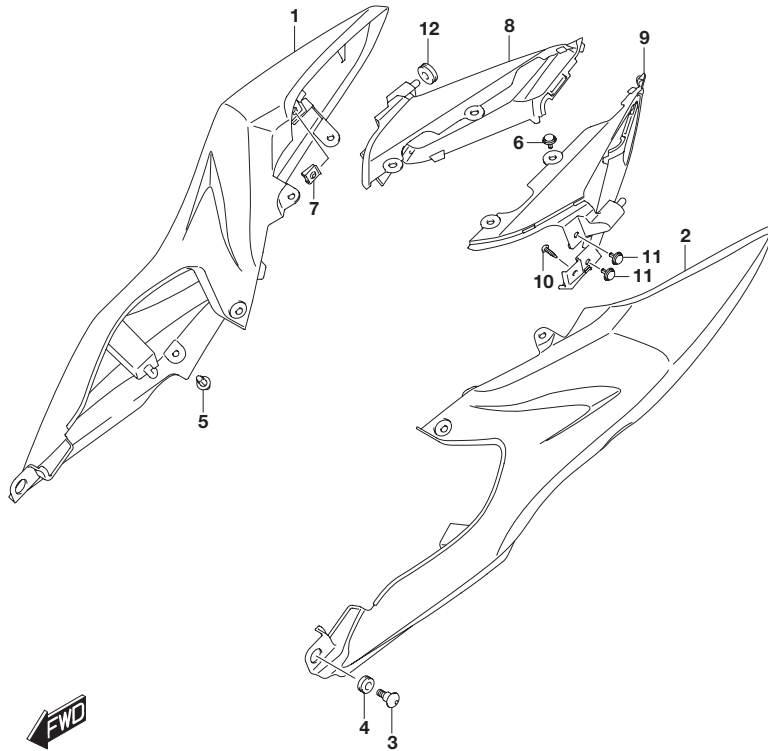
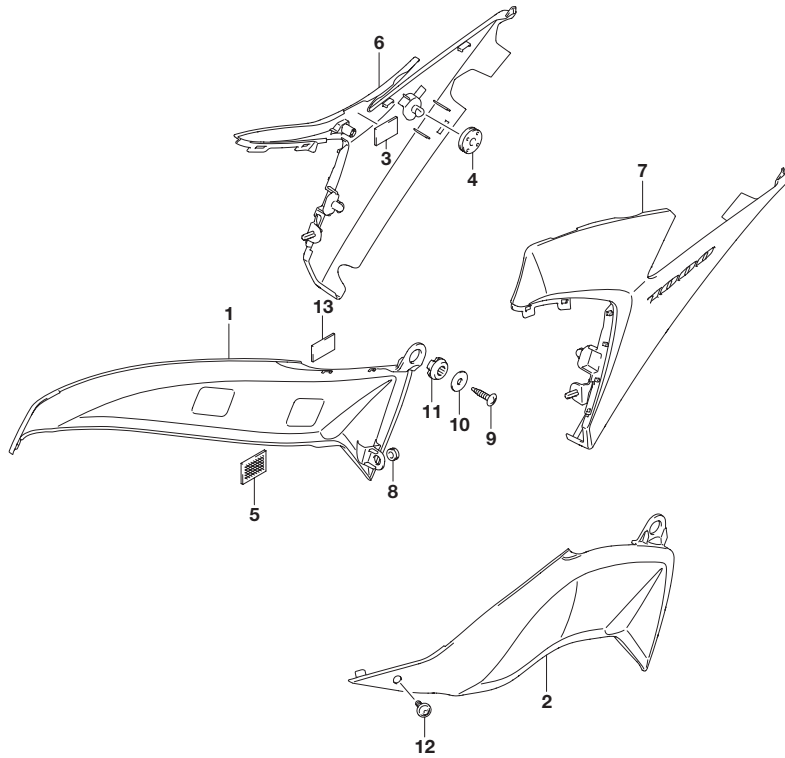


FIG.448A

FIG.448A (1-E-10) SIDE LOWER COVER

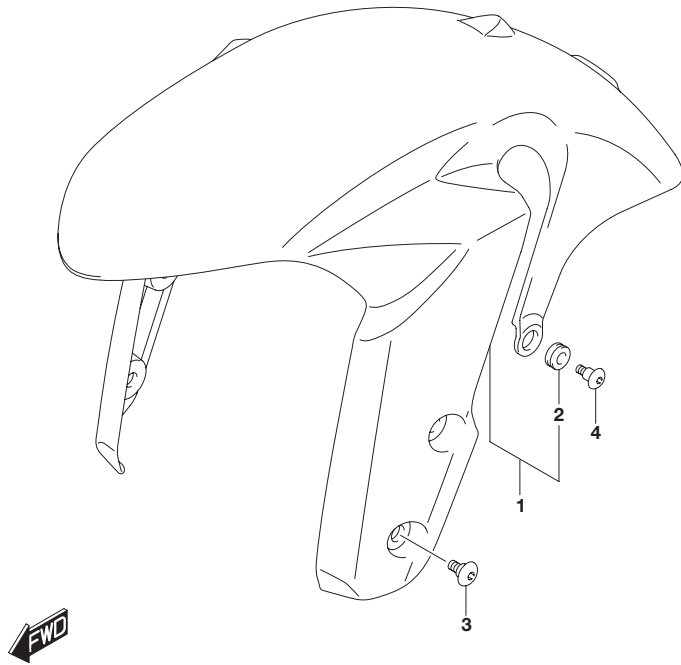


REF NO.	PART NO.	DESCRIPTION	Q'TY	REMARKS
1	47411-47H10	COVER ,SIDE FRONT RH	1	
2	47511-47H10	COVER ,SIDE FRONT LH	1	
3	44556-33H00	CUSHION	2	
4	09320-08028	CUSHION	6	
5	44572-13G00	FASTENER	6	
6	47421-47H00	COVER ,SIDE REAR RH	1	
7	47521-47H00	COVER ,SIDE REAR LH	1	
8	09320-06016	CUSHION	2	
9	03541-0516A	SCREW	2	
10	09160-05501	WASHER (5.5X20X1.2)	2	
11	09320-09010	CUSHION	2	
12	09139-05064	SCREW (5X13)	2	
13	33652-21G10	CUSHION	2	

FIG.460A

FIG.460A (1-E-11) FRONT FENDER

REF NO.	PART NO.	DESCRIPTION	Q'TY	REMARKS
1	53100-47H10-YGS	FENDER ,FRONT (BLACK)	1	
2	09320-09016	.CUSHION	2	
3	09139-06131	SCREW (6X16)	2	
4	09139-06146	SCREW (6X16)	2	



4

FIG.462A

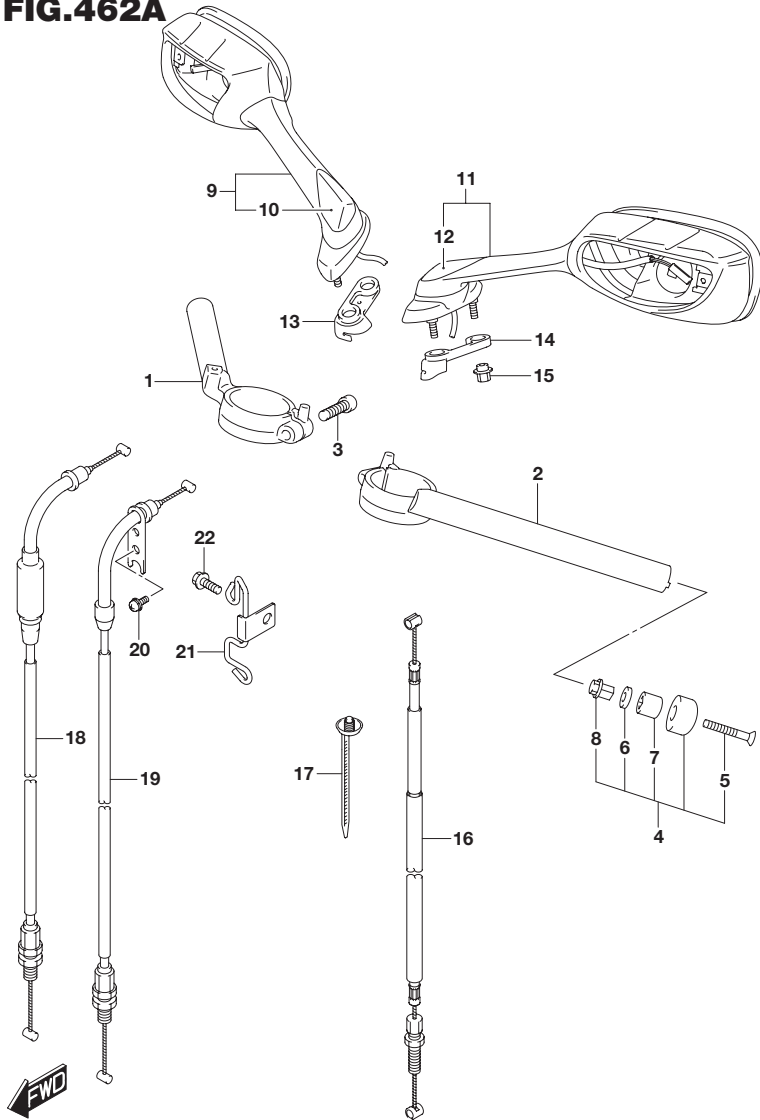


FIG.462A (1-E-12) HANDLEBAR

REF NO.	PART NO.	DESCRIPTION	Q'TY	REMARKS
1	56111-47H10	HANDLEBAR ,RH	1	
2	56151-47H11	HANDLEBAR ,LH	1	
3	09106-08185	BOLT (8X32)	2	
4	56200-41822	BALANCER SET ,HANDLEBAR	2	
5	02122-0640B	.SCREW	2	
6	09160-06131	.WASHER (6.5X16X4)	2	
7	56272-10G00	.EXPANDER	2	
8	56273-10G10	.NUT	2	
9	56500-47H01	MIRROR ASSY ,REAR VIEW RH	1	
10	56515-47H01	.CAP ,RH	1	
11	56600-47H01	MIRROR ASSY ,REAR VIEW LH	1	
12	56615-47H01	.CAP ,LH	1	
13	94575-47H00	CUSHION ,RH	1	
14	94576-47H00	CUSHION ,LH	1	
15	56619-41G01	NUT	4	
16	58200-47H20	CABLE ASSY ,CLUTCH	1	
17	09407-17403	CLAMP (L:154)	1	
18	58300-47H00	CABLE ASSY ,THROTTLE NO.1	1	
19	58300-47H10	CABLE ASSY ,THROTTLE NO.2	1	
20	09125-05042	SCREW (5X10)	1	
21	58620-47H00	GUIDE ,THROTTLE CABLE	1	
22	01547-0612A	BOLT	1	

FIG.467A

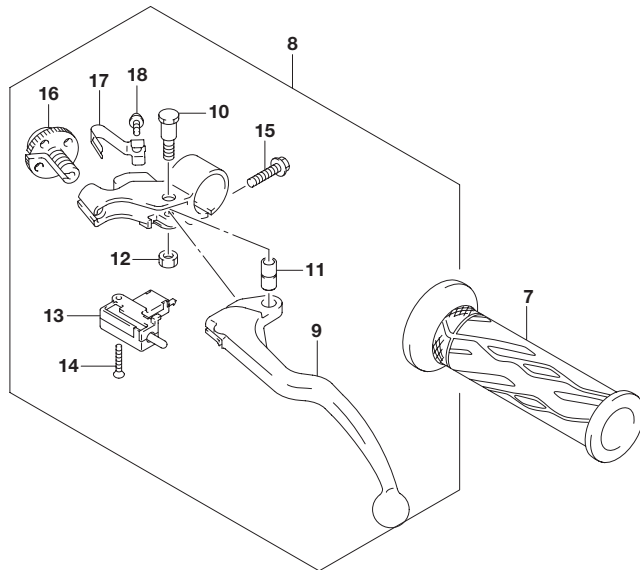
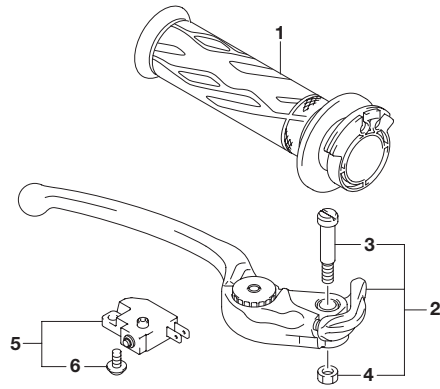


FIG.467A (1-E-13) HANDLE LEVER

REF NO.	PART NO.	DESCRIPTION	Q'TY	REMARKS
1	57110-21H01	GRIP ,THROTTLE	1	
2	57300-29G30	LEVER ASSY ,BLAKE	1	
3	57431-29G00	.BOLT ,PIVOT	1	
4	08319-2106A	.NUT	1	
5	57460-14J01	SWITCH ASSY ,FRONT BRAKE	1	
6	57465-17C00	.SCREW	1	
7	57211-21H00	GRIP ,LH	1	
8	57500-41G20	LEVER ASSY ,CLUTCH	1	
9	57621-41G00	.LEVER ,CLUTCH	1	
10	57431-41G00	.BOLT	1	
11	57532-41G00	.COLLAR	1	
12	08319-3106A	.NUT	1	
13	57560-41G20	.SWITCH ASSY ,CLUTCH	1	
14	57562-41G20	.SCREW	1	
15	01547-0620B	.BOLT	1	
16	57641-33E21	.NUT ,CABLE ADJUSTER	1	
17	57644-33E00	.SPRING	1	
18	57642-33E00	.SCREW ,SPRING	1	

4

FIG.474A

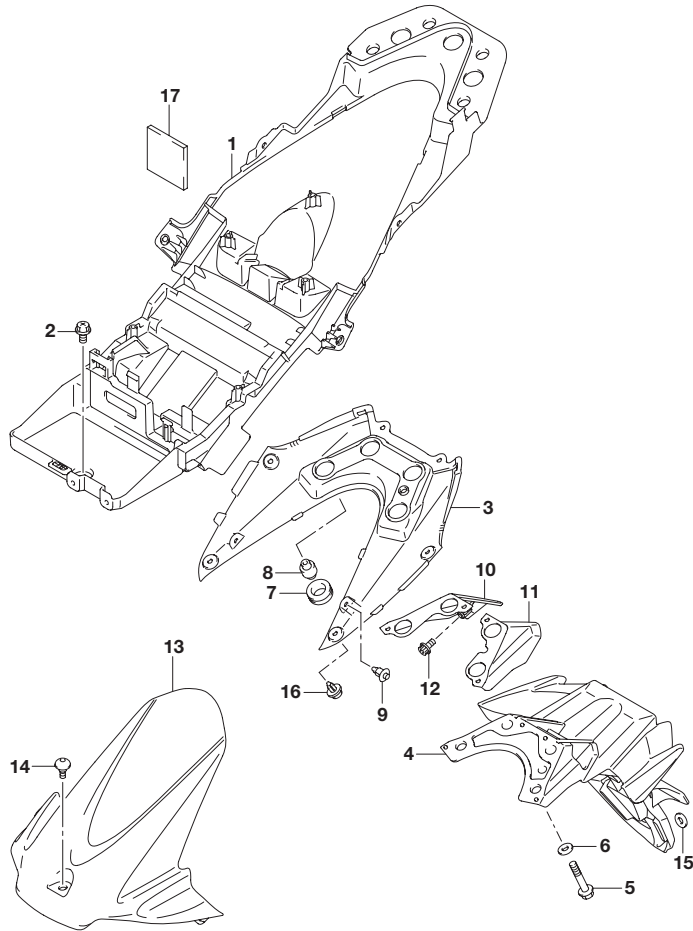


FIG.474A (1-E-14) REAR FENDER

REF NO.	PART NO.	DESCRIPTION	Q'TY	REMARKS
1	63111-47H10	FENDER ,REAR FRONT	1	
2	09111-06107	BOLT (6X12)	1	
3-1	63112-47H10-YWW	COVER ,FENDER FRONT(WHITE)	1	FOR AGQ
3-2	63112-47H10-YVB	COVER ,FENDER FRONT(BLACK)	1	FOR AR4
4	63113-47H00	FENDER ,REAR	1	
5	09103-06204	BOLT (6X30)	1	
6	09160-06028	WASHER (6.5X18X1)	4	
7	09320-20010	CUSHION	4	
8	63147-47H00	SPACER	4	
9	09409-06314-5PK	CLIP (BLACK)	2	
10	63170-47H00-YUS	COVER ,FENDER REAR RH(SILVER)	1	
11	63180-47H00-YUS	COVER ,FENDER REAR LH(SILVER)	1	
12	07120-0510B	BOLT	2	
13	63114-47H00	FENDER ,REAR LOWER	1	
14	09139-06169	SCREW (6X16)	3	
15	08322-0106A	WASHER	2	
16	09409-06328	CLIP	4	
17	33652-20C00	CUSHION ,TOOL BAG	1	

COLOR : AGQ=YSF (BLUE) , YWW (WHITE)
 : AR4=YVB (BLACK) , PGZ (GRAY)



FIG.480A

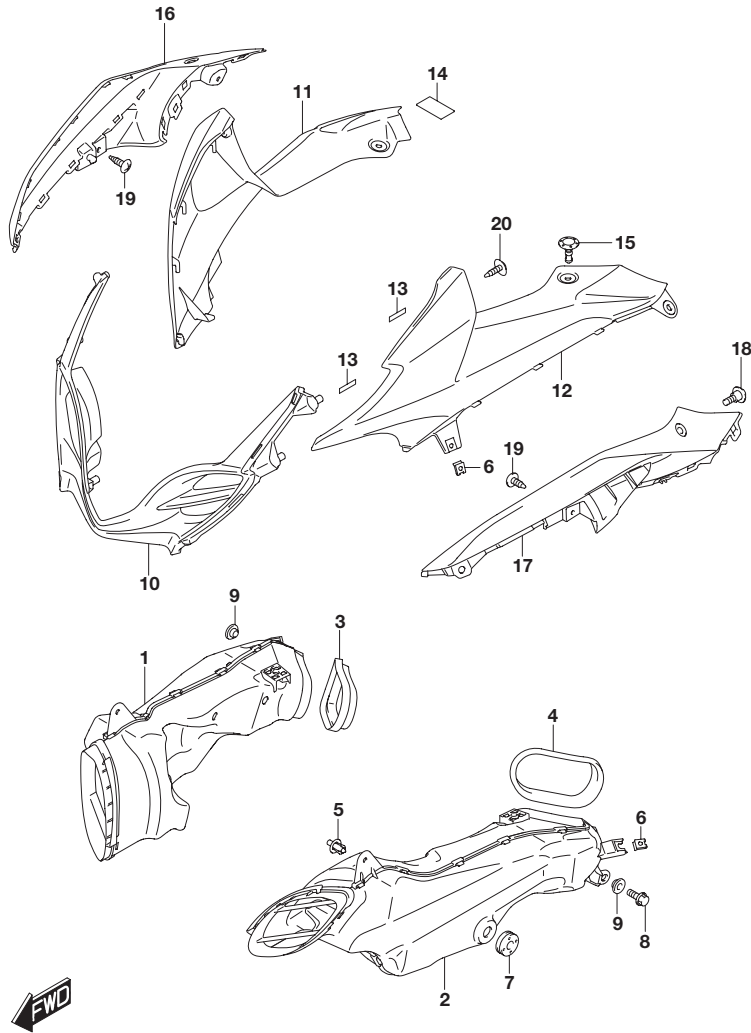


FIG.480A (1-E-15) AIR INTAKE PIPE

REF NO.	PART NO.	DESCRIPTION	Q'TY	REMARKS
1	94420-47H00	PIPE ,AIR INTAKE RH	1	
2	94430-47H00	PIPE ,AIR INTAKE LH	1	
3	94423-47H00	MOLDING ,RH	1	
4	94433-47H00	MOLDING ,LH	1	
5	09409-06314-5PK	CLIP (BLACK)	2	
6	09148-05052	NUT	4	
7	09320-08028	CUSHION	2	
8	01550-0616A	BOLT	1	
9	09169-06082	WASHER	2	
10-1	94671-47H10-YHG	COVER ,INTAKE FRONT(BLUE)	1	FOR AGQ
10-2	94671-47H10-YKV	COVER ,INTAKE FRONT(SILVER)	1	FOR AR4
11-1	94672-47H10-YSF	COVER ,INTAKE RH(BLUE)	1	FOR AGQ
11-2	94672-47H10-YVB	COVER ,INTAKE RH(BLACK)	1	FOR AR4
12-1	94682-47H10-YSF	COVER ,INTAKE LH(BLUE)	1	FOR AGQ
12-2	94682-47H10-YVB	COVER ,INTAKE LH(BLACK)	1	FOR AR4
13	94443-06G00	TAPE	4	
14	33652-13E00	CUSHION	1	
15	94479-35F00	CLIP	2	
16-1	94473-47H00-YWW	COWL ,SIDE UPPER RH(BLUE)	1	FOR AGQ
16-2	94473-47H00-PGZ	COWL ,SIDE UPPER RH(BLACK)	1	FOR AG4
17-1	94483-47H00-YWW	COWL ,SIDE UPPER LH(BLUE)	1	FOR AGQ
17-2	94483-47H00-PGZ	COWL ,SIDE UPPER LH(BLACK)	1	FOR AG4
18	09139-05077	SCREW (5X16)	2	
19	03541-0516A	SCREW	4	
20	09132-05050	SCREW (5X12)	2	

COLOR : AGQ=YSF (BLUE) , YWW (WHITE)
 : AR4=YVB (BLACK) , PGZ (GRAY)

FIG.481A

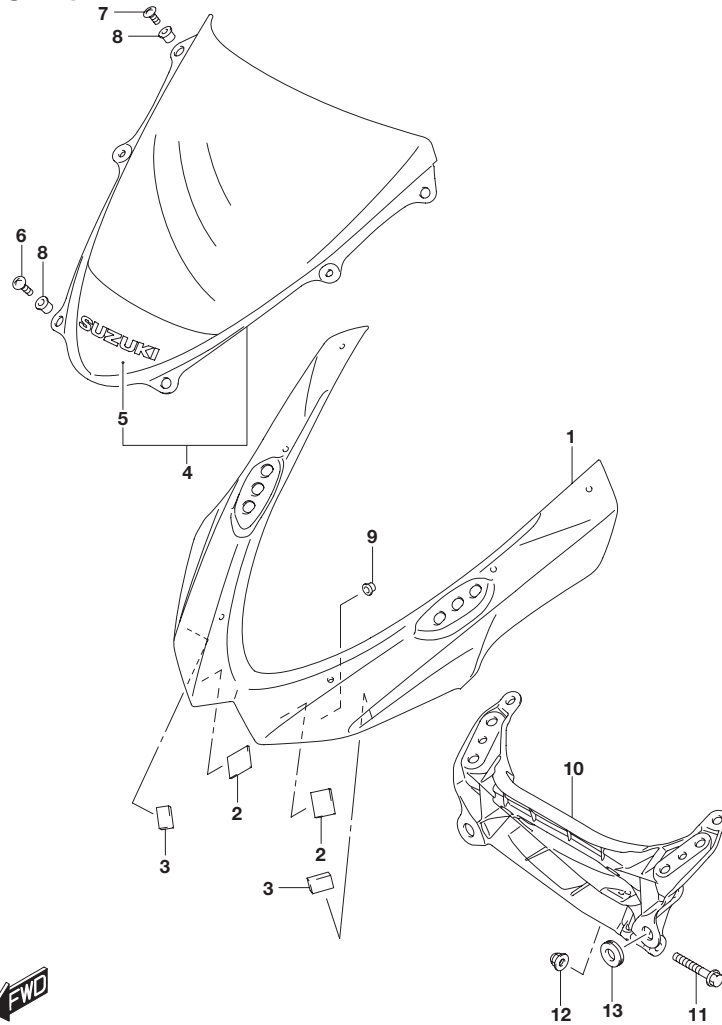


FIG.481A (1-F-2) COWLING BODY

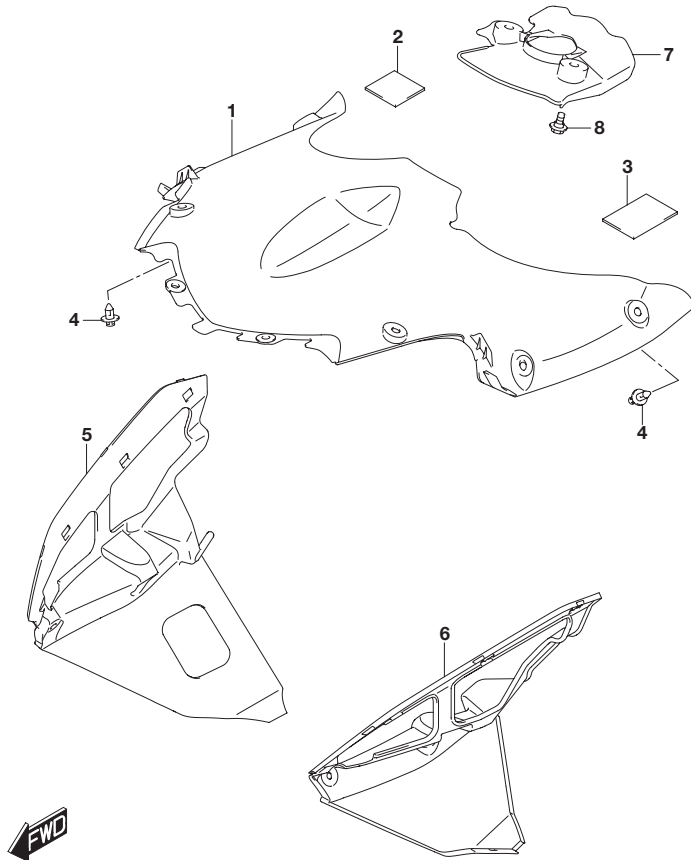
REF NO.	PART NO.	DESCRIPTION	Q'TY	REMARKS
1-1	94411-47H00-YWW	BODY ,COWLING(WHITE)	1	FOR AGQ
1-2	94411-47H00-PGZ	BODY ,COWLING(GRAY)	1	FOR AR4
2	44572-02F01	CUSHION ,FRONT	2	
3	44572-37H00	CUSHION ,SIDE	2	
4	64310-47H00	WINDSCREEN	1	
5	68275-47H00	.TAPE	1	
6	09125-05133	SCREW (5X18)	4	
7	09125-05134	SCREW (5X15)	2	
8	09159-05019	NUT	6	
9	09320-05018	CUSHION	2	
10	94511-47H00	BRACE ,COWLING	1	
11	01550-0845A	BOLT	2	
12	08313-2008A	NUT	2	
13	09320-08028	CUSHION	2	

COLOR : AGQ=YSF (BLUE) , YWW (WHITE)
 : AR4=YVB (BLACK) , PGZ (GRAY)

FIG.482A

FIG.482A (1-F-3) COWLING INSTALLATION PARTS

REF NO.	PART NO.	DESCRIPTION	Q'TY	REMARKS
1	94419-47H00	COVER ,BODY COWL	1	
2	33652-13E00	CUSHION ,FRONT	1	
3	36930-60A10	CUSHION ,SIDE	2	
4	09409-06314-5PK	CLIP (BLACK)	8	
5	94461-47H00	COWL ,UNDER INNER RH	1	
6	94462-47H00	COWL ,UNDER INNER LH	1	
7	94458-21H00	COVER ,LOWER BRACKET	1	
8	09111-06107	BOLT (6X12)	2	



4

FIG.483A

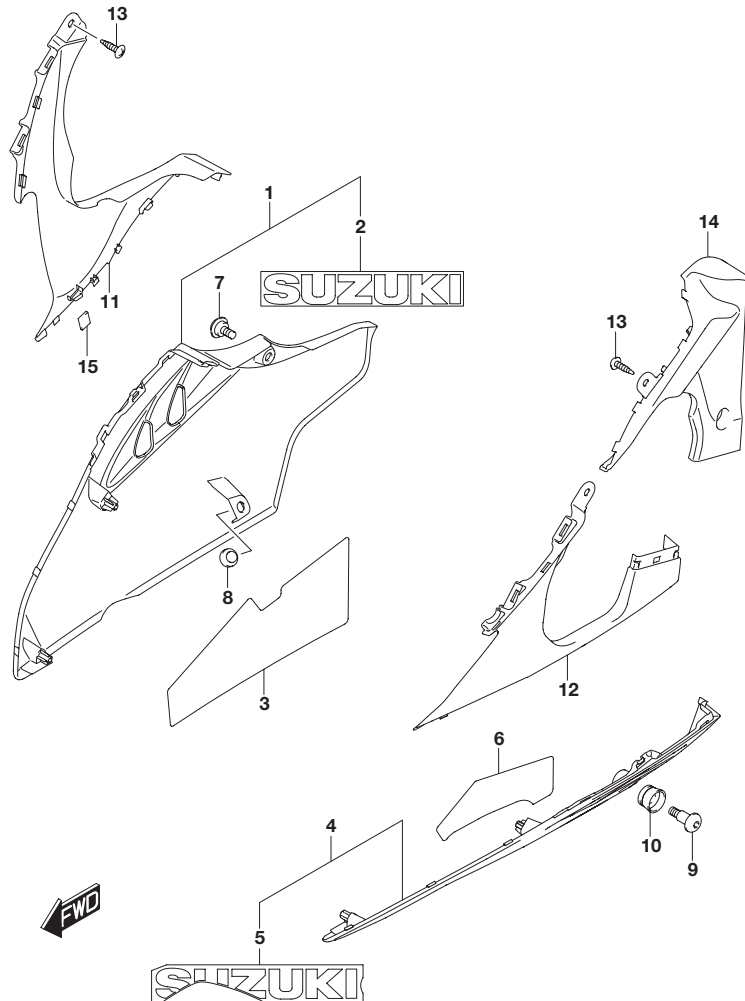


FIG.483A (1-F-4) UNDER COWLING

REF NO.	PART NO.	DESCRIPTION	Q'TY	REMARKS
1-1	94470-47H00-YWW	COWL ,UNDER RH(WHITE)	1	FOR AGQ
1-2	94470-47H00-PGZ	COWL ,UNDER RH(GRAY)	1	FOR AR4
2	68181-33C20-019	.EMBLEM , "SUZUKI"(BLACK)	1	
3	94476-47H00	SHIELD ,HEAT FRONT RH	1	
4-1	94480-47H00-YWW	COWL ,UNDER LH(WHITE)	1	FOR AGQ
4-2	94480-47H00-PGZ	COWL ,UNDER LH(BLACK)	1	FOR AR4
5	68191-47H00-019	.EMBLEM , "SUZUKI"(BLACK)	1	
6	94486-47H00	SHIELD ,HEAT LH	1	
7	09139-05064	SCREW (5X13)	1	
8	09321-10018	CUSHION	2	
9	09139-06190	BOLT (6X20)	2	
10	94479-15H00	CUSHION	2	
11	94474-47H00	COWL ,SIDE LOWER RH	1	
12	94484-47H00	COWL ,SIDE LOWER LH	1	
13	03541-0516A	SCREW	2	
14	94482-47H00	COVER ,SIDE COWL LH	1	
15	63115-37H00	CUSHION ,SIDE COWL	1	

COLOR : AGQ=YSF (BLUE) , YWW (WHITE)
 : AR4=YVB (BLACK) , PGZ (GRAY)

FIG.485A

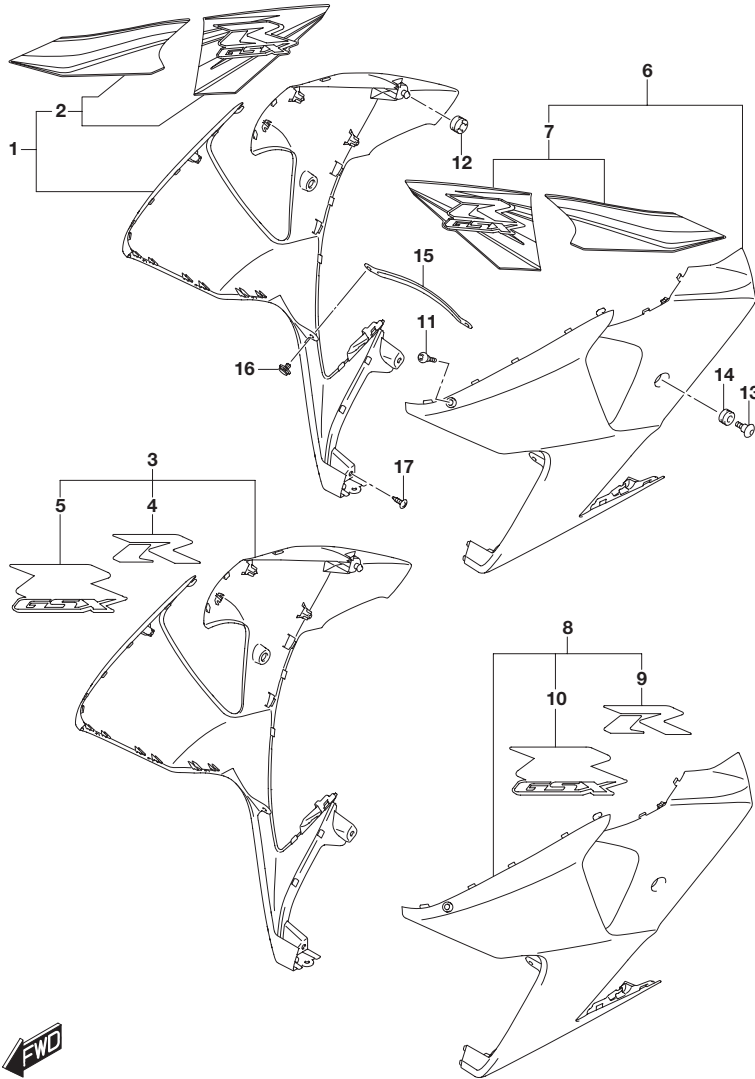


FIG.485A (1-F-5) SIDE COWLING

REF NO.	PART NO.	DESCRIPTION	Q'TY	REMARKS
1	94490-47H80-YVB	COWLING ,SIDE RH (BLACK)	1	FOR AGQ
2	68680-47H30-ASC	.TAPE ,SIDE COWLING RH	1	FOR YVB
3	94490-47H30-YVB	COWLING ,SIDE RH (BLACK)	1	FOR AR4
4	68681-21HA0	.EMBLEM ,"R"	1	
5	68681-47H20-HVR	.EMBLEM ,"GSXR"	1	FOR YVB
6	94440-47H80-YVB	COWLING ,SIDE LH (BLACK)	1	FOR AGQ
7	68690-47H30-ASC	.TAPE ,SIDE COWLING LH	1	FOR YVB
8	94440-47H30-YVB	COWLING ,SIDE LH (BLACK)	1	FOR AR4
9	68681-21HA0	.EMBLEM ,"R"	1	
10	68691-47H20-HVR	.EMBLEM ,"GSXR"	1	FOR YVB
11	09139-05077	SCREW (5X16)	2	
12	09320-08028	CUSHION	2	
13	09139-06190	BOLT (6X20)	2	
14	09320-09016	CUSHION	2	
15	94498-47H00	BRACKET	1	
16	94479-35F00	CLIP	3	
17	03541-0516A	SCREW	6	

COLOR : AGQ=YSF (BLUE) , YWW (WHITE)
 : AR4=YVB (BLACK) , PGZ (GRAY)



FIG.496A

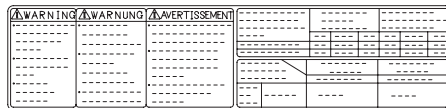
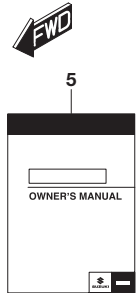
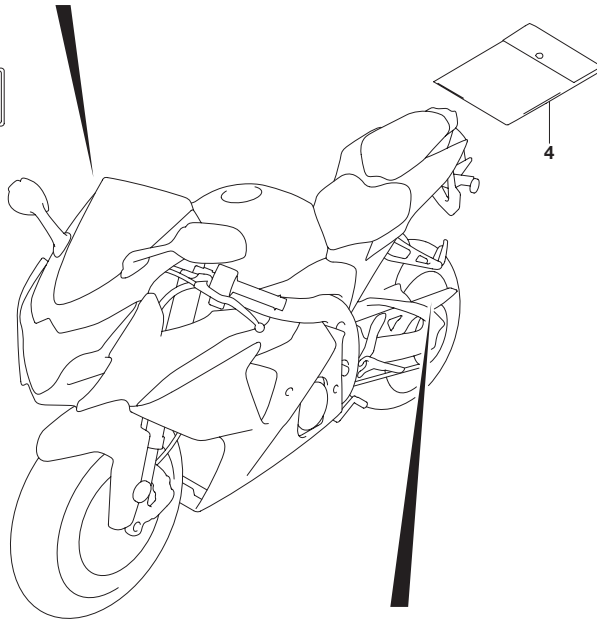
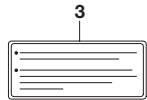
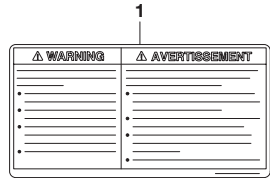


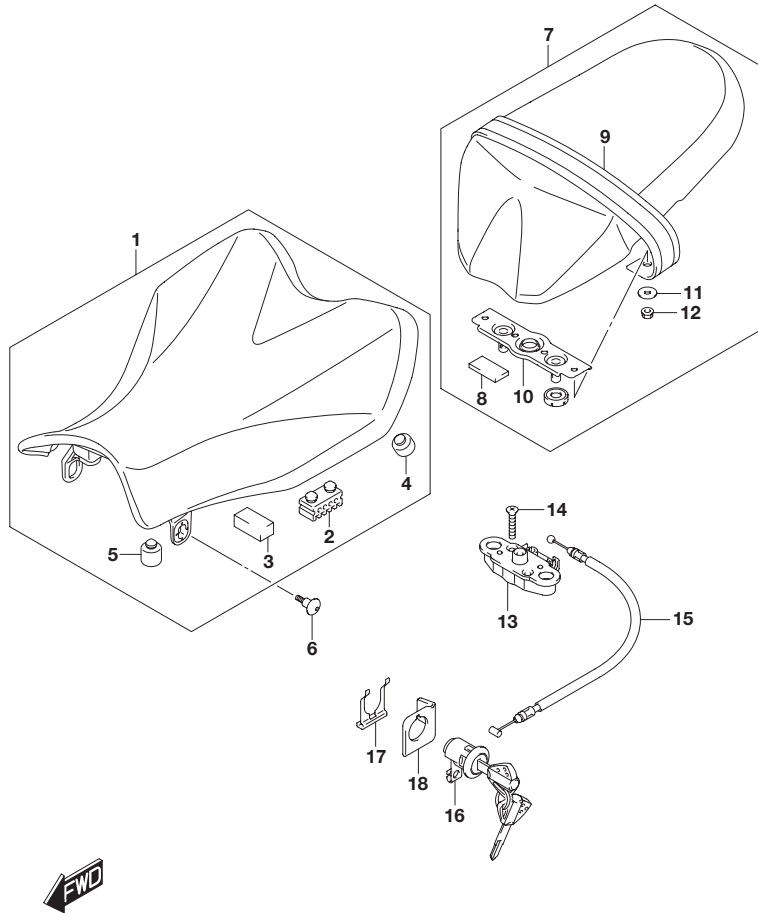
FIG.496A (1-F-6) LABEL

REF NO.	PART NO.	DESCRIPTION	Q'TY	REMARKS
1	68319-29F10	LABEL , WARNING(ENGLISH)	1	
2	68332-47H50	LABEL , TIRE INFORMATION	1	
3	18803-40F10	LABEL , FUEL INFORMATION	1	
4	94980-42A01	BAG , MANUAL	1	
5-1	99011-47H55-01A	MANUAL , OWNER'S(ENGLISH)	1	
5-2	99011-47H55-01F	MANUAL , OWNER'S(FRENCH)	1	

FIG.505A

FIG.505A (1-F-7) SEAT

4



REF NO.	PART NO.	DESCRIPTION	Q'TY	REMARKS
1	45100-47H10-DW2	SEAT ASSY (BLACK)	1	
2	45149-19D00	.CUSHION ,SIDE	2	
3	45149-31E00	.CUSHION ,FRONT (20X40X15)	1	
4	09321-10011	.CUSHION	2	
5	09321-10034	.CUSHION	2	
6	09139-06190	BOLT (6X20)	2	
7	45300-47H10-P3H	SEAT ASSY ,PILLION(BLACK)	1	
8	45149-31E00	.CUSHION ,FRONT (20X40X15)	1	
9	45180-47H00-P3H	.BAND ASSY ,SEAT (BLACK)	1	
10	45290-47H01	.STRIKER	1	
11	09160-06088	.WASHER (6.5X20X1.6)	2	
12	08316-1006A	.NUT	2	
13	45220-47H00	BRACKET ,SEAT SUPPORT	1	
14	02122-0630A	SCREW	2	
15	45280-47H00	CABLE ,SEAT LOCK	1	
16	95700-14810	LOCK SET ,SEAT	1	
17	45289-11F00	PLATE ,SEAT LOCK ASSY	1	
18	45288-14F00	GUIDE ,SEAT LOCK CABLE	1	

FIG.521A

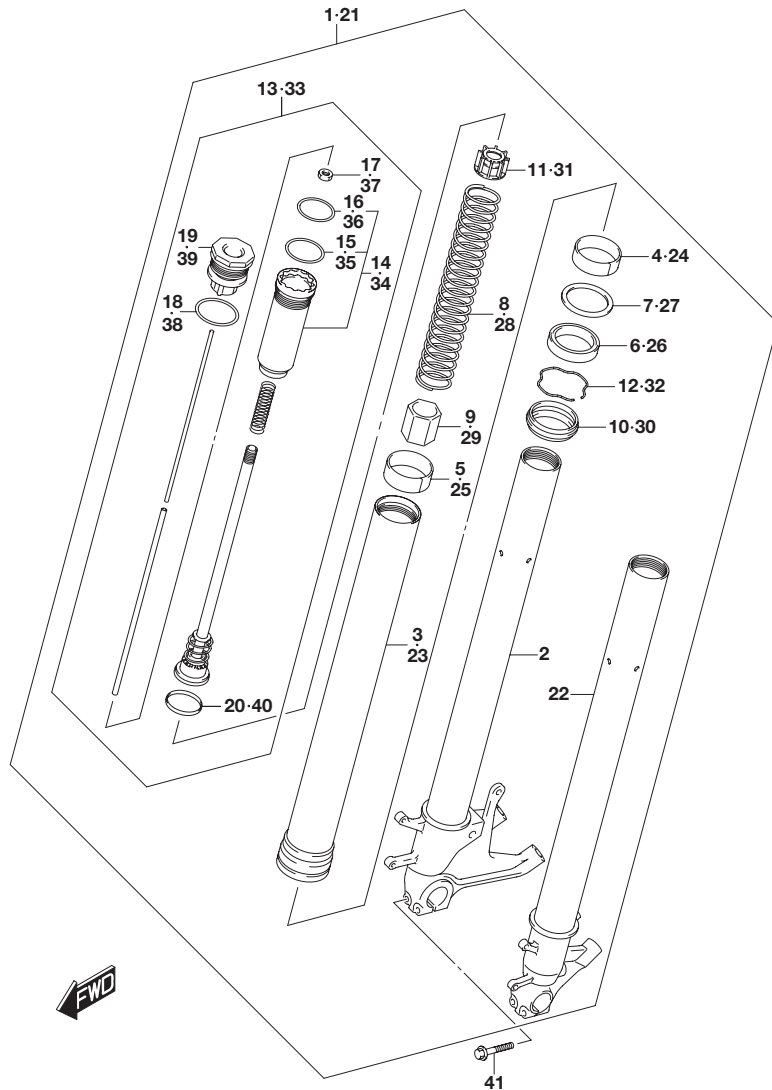


FIG.521A (1-F-8) FRONT FORK DAMPER

REF NO.	PART NO.	DESCRIPTION	Q'TY	REMARKS
1	51103-47H20	DAMPER ASSY ,FRONT FORK RH	1	
2	51110-47H20	.TUBE ,INNER RH	1	
3	51131-47H20	.TUBE ,OUTER	1	
4	51152-47H00	.BUSH ,GUIDE	1	
5	51152-47H10	.BUSH ,SLIDE	1	
6	51153-47H00	.SEAL ,OIL	1	
7	51168-29G00	.SPACER ,SEAL	1	
8	51171-47H20	.SPRING	1	
9	51176-47H20	.COLLAR ,SPRING	1	
10	51173-27G00	.SEAL ,DUST	1	
11	51175-47H00	.COLLAR ,SPRING	1	
12	51556-38B00	.RING ,STOPPER	1	
13	52110-47H20	.ROD ,PISTON	1	
14	51174-47H20	..CASE ,ROD GUIDE	1	
15	51118-47H00	...RING ,PISTON	1	
16	51187-47H10	...O - RING	1	
17	51827-29G00	..NUT	1	
18	51187-47H00	..O - RING	1	
19	51189-47H20	..BOLT	1	
20	51118-47H20	..RING ,PISTON	1	
21	51104-47H20	DAMPER ASSY ,FRONT FORK LH	1	
22	51120-47H20	.TUBE ,INNER LH	1	
23	51131-47H20	.TUBE ,OUTER	1	
24	51152-47H00	.BUSH ,GUIDE	1	
25	51152-47H10	.BUSH ,SLIDE	1	
26	51153-47H00	.SEAL ,OIL	1	
27	51168-29G00	.SPACER ,SEAL	1	
28	51171-47H20	.SPRING	1	

FIG.521A

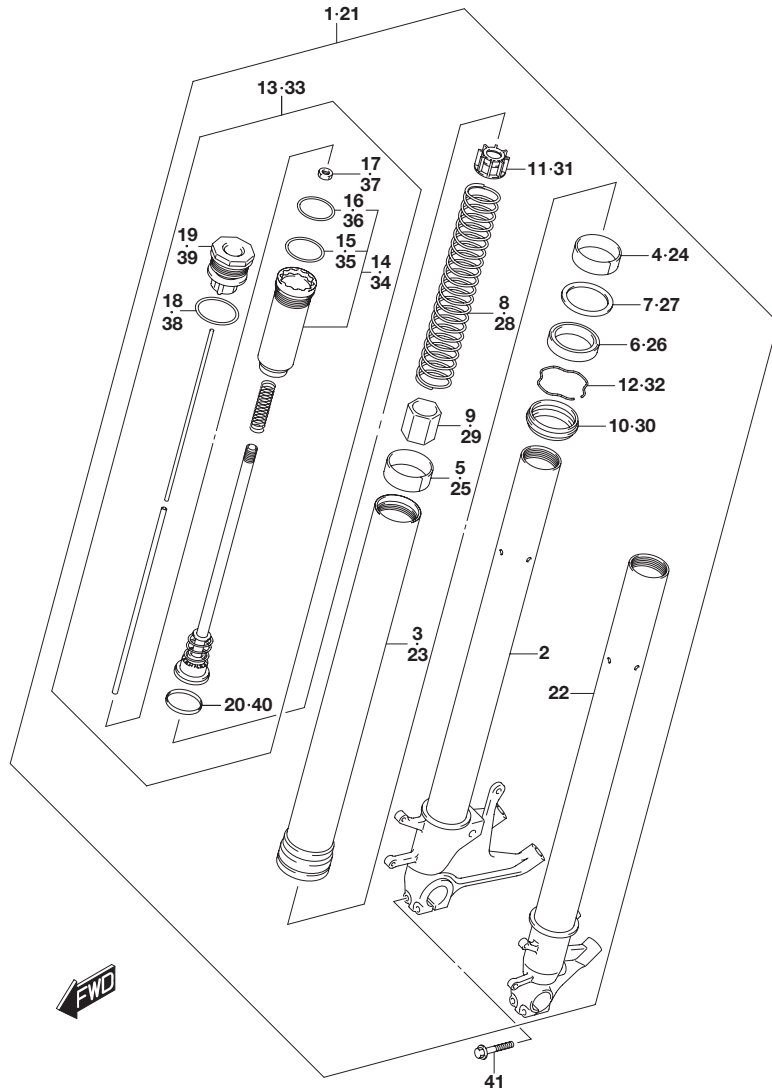


FIG.521A (1-F-9) FRONT FORK DAMPER

REF NO.	PART NO.	DESCRIPTION	Q'TY	REMARKS
29	51176-47H20	.COLLAR ,SPRING	1	
30	51173-27G00	.SEAL ,DUST	1	
31	51175-47H00	.COLLAR ,SPRING	1	
32	51556-38B00	.RING ,STOPPER	1	
33	52110-47H20	..ROD ,PISTON	1	
34	51174-47H20	..CASE ,ROD GUIDE	1	
35	51118-47H00	...RING ,PISTON	1	
36	51187-47H10	...O - RING	1	
37	51827-29G00	..NUT	1	
38	51187-47H00	..O - RING	1	
39	51189-47H20	..BOLT	1	
40	51118-47H20	..RING ,PISTON	1	
41	51321-36F00	BOLT	4	

FIG.524A

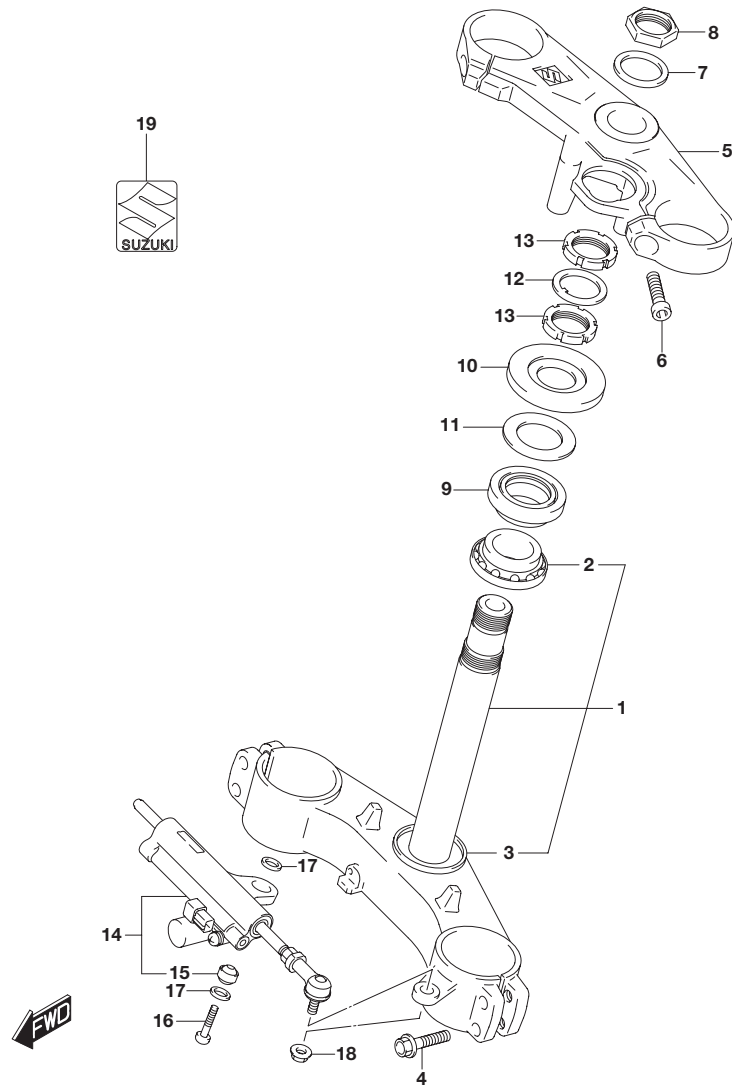


FIG.524A (1-F-10) STEERING STEM

REF NO.	PART NO.	DESCRIPTION	Q'TY	REMARKS
1	51410-47H20	STEM ,STEERING	1	
2	09267-30010	.BEARING (30X55X17)	1	
3	51644-12C00	.SEAL ,STEM LOWER	1	
4	51328-27E30	BOLT	4	
5	51311-47H00	HEAD ,STEERING STEM	1	
6	51321-27E30	BOLT ,HOLDER (8X25)	2	
7	51354-01H00	WASHER	1	
8	51353-01H00	NUT	1	
9	09267-30010	BEARING (30X55X17)	1	
10	51643-41G00	COVER ,STEERING UPPER	1	
11	51644-12C00	SEAL ,UPPER DUST	1	
12	51641-33E00	WASHER ,STEM	1	
13	51631-33E00	NUT ,STEM	2	
14	51750-21H20	DAMPER ASSY ,STEERING	1	
15	09269-08003	.BEARING (8X17.5X11)	1	
16	09106-08130	BOLT (8X35)	1	
17	64339-14101	SEAL ,PILLOWBALL DUST	2	
18	08319-3108A	NUT	1	
19	68281-47HA0	EMBLEM , "S"	1	

FIG.530A

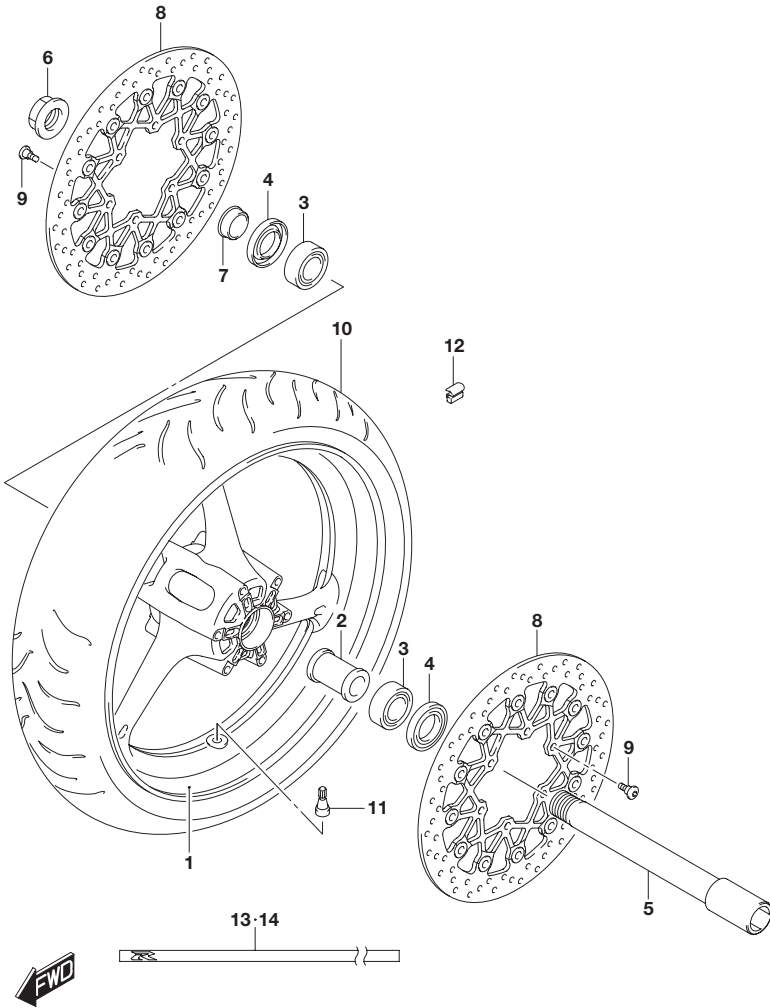


FIG.530A (1-F-11) FRONT WHEEL

REF NO.	PART NO.	DESCRIPTION	Q'TY	REMARKS
1	54111-37H00-019	WHEEL ,FRONT(17M/CXMT3.50) (BLACK)	1	
2	54731-35F10	SPACER , HUB BEARING	1	
3	09262-25167	BEARING (25X52X15)	2	
4	09285-32004	OIL SEAL (32X52X7)	2	
5	54711-47H00	AXLE ,FRONT	1	
6	54712-47H00	NUT ,FRONT AXLE	1	
7	54751-41G10	SPACER ,FRONT AXLE ,RH	1	
8	59210-37H20	DISC ,FRONT BRAKE	2	
9	09106-06124	BOLT (6X21)	12	
10	55110-47H10	TIRE ,FRONT , 120/70 ZR17M/C (58W)(BRIDGESTONE)	1	
11	43130-24A00	VALVE ASSY , WHEEL RIM(TR412)	1	
12-1	55411-22H00	BALANCER , WHEEL NO.1	AR	10G
12-2	55412-22H00	BALANCER , WHEEL NO.2	AR	20G
12-3	55413-22H00	BALANCER , WHEEL NO.3	AR	30G
13-1	68251-47H00-AR9	TAPE ,RH (WHITE/BLACK)	1	
14-1	68252-47H00-AR9	TAPE ,LH (WHITE/BLACK)	1	

4

FIG.535A

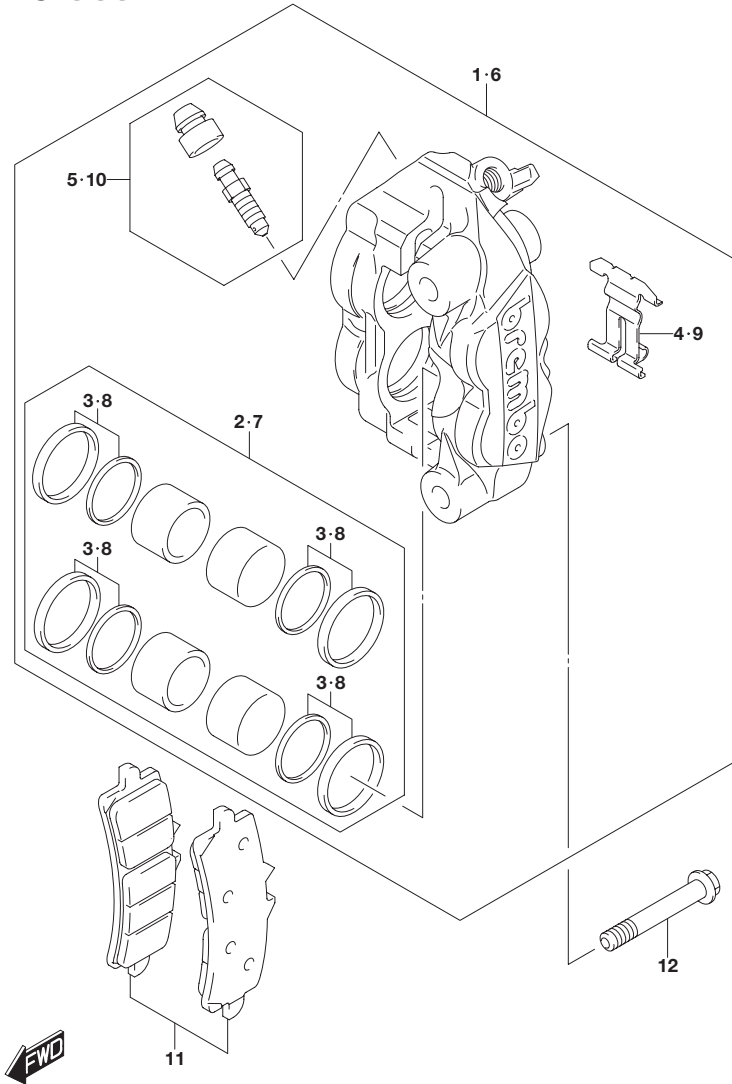


FIG.535A (1-F-12) FRONT CALIPER

REF NO.	PART NO.	DESCRIPTION	Q'TY	REMARKS
1	59100-14J10-999	CALIPER ASSY , FRONT RH	1	
2	59100-14810	.PISTON SET	1	
3	59100-14820	..SEAL SET , PISTON	1	
4	59151-14J00	.SPRING , PAD	1	
5	59100-14840	.BLEEDER SET	1	
6	59300-14J10-999	CALIPER ASSY , FRONT LH	1	
7	59100-14810	.PISTON SET	1	
8	59100-14820	..SEAL SET , PISTON	1	
9	59151-14J00	.SPRING , PAD	1	
10	59100-14840	.BLEEDER SET	1	
11	59100-14850	PAD & SHIM SET	2	
12	09103-10429	BOLT (10X70)	4	

FIG.536A

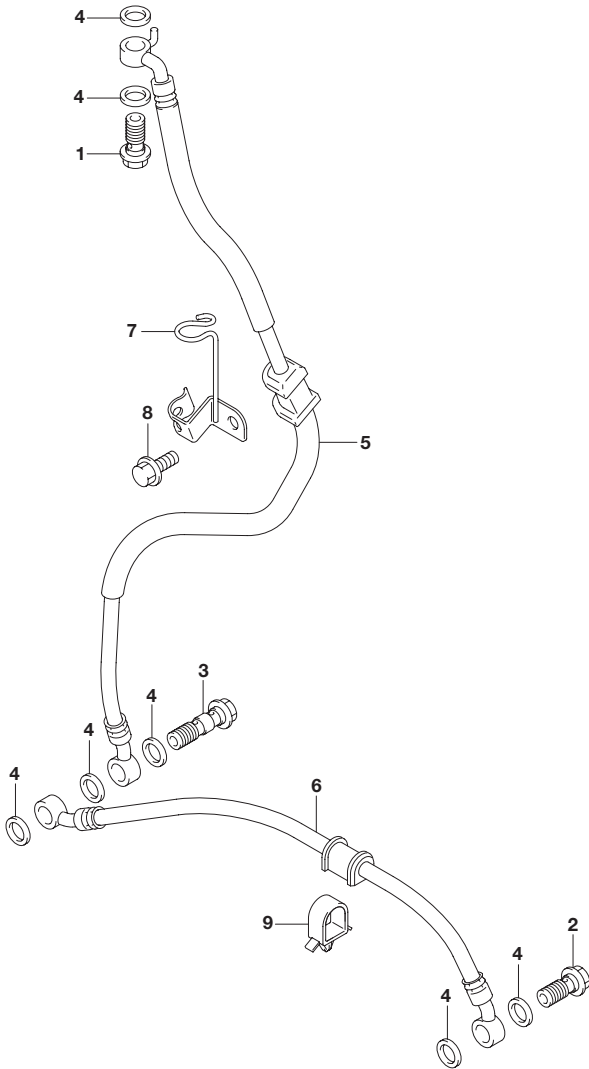


FIG.536A (1-F-13) FRONT BRAKE HOSE

REF NO.	PART NO.	DESCRIPTION	Q'TY	REMARKS
1	09360-10065	UNION	1	
2	09360-10062	UNION	1	LH
3	09360-10064	UNION	1	RH
4	09161-10009	WASHER (10X15X1.5)	7	
5	59480-47H10	HOSE , FRONT BRAKE NO.1	1	
6	59240-14J00	HOSE , FRONT BRAKE NO.2	1	
7	59260-47H00	CLAMP , BRAKE HOSE NO.1	1	
8	01547-0612A	BOLT	1	
9	09403-16412	CLAMP	1	

4

FIG.541A

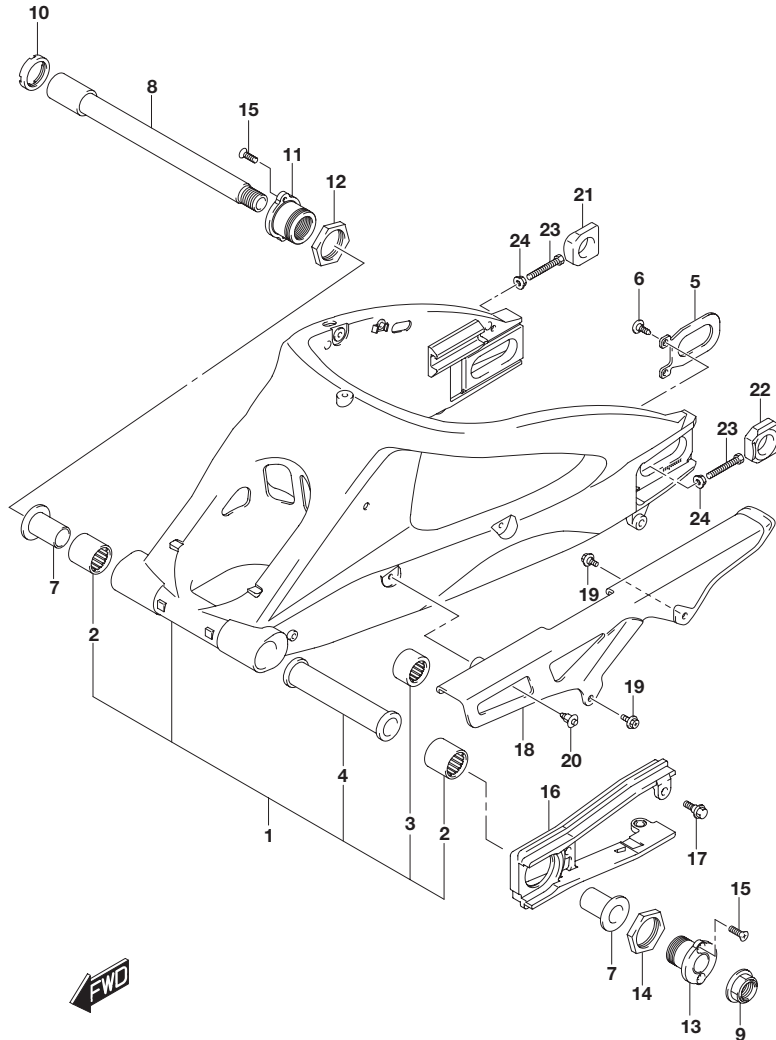


FIG.541A (1-F-15) REAR SWINGINGARM

REF NO.	PART NO.	DESCRIPTION	Q'TY	REMARKS
1	61000-47H10-YAP	SWINGING ARM ASSY ,REAR (BLACK)	1	
2	09263-27013	.BEARING (27X35X35)	2	
3	09263-20070	.BEARING (20X27X30)	1	
4	61281-41G00	.SPACER ,CENTER	1	
5	61124-41G00	PLATE ,BRACKET	1	
6	09125-06060	SCREW (6X12)	1	
7	61251-41G00	SPACER ,BEARING	2	
8	61211-41G00	SHAFT ,PIVOT	1	
9	09159-20006	NUT	1	
10	61214-42E10	NUT ,PIVOT	1	
11	61212-47H00	BOSS ,RR SWGARM PIVOT RH	1	
12	61213-41G00	NUT ,RR SWGARM PIVOT BOSS RH	1	
13	61214-47H00	BOSS ,RR SWGARM PIVOT LH	1	
14	61215-41G00	NUT ,RR SWGARM PIVOT BOSS LH	1	
15	02122-0512B	SCREW	4	
16	61273-47H00	BUFFER ,CHAIN TOUCH DEFENSE	1	
17	09111-06072	BOLT (6X17.8)	3	
18	61311-21H00	CASE ,CHAIN	1	
19	09111-06107	BOLT (6X12)	2	
20	09409-08308-5ES	CLIP (BLACK)	1	
21	61445-40F20	ADJUSTER ,CHAIN RH	1	
22	61446-40F10	ADJUSTER ,CHAIN LH	1	
23	09100-08287	BOLT (8X50)	2	
24	08316-1008A	NUT	2	

FIG.543A

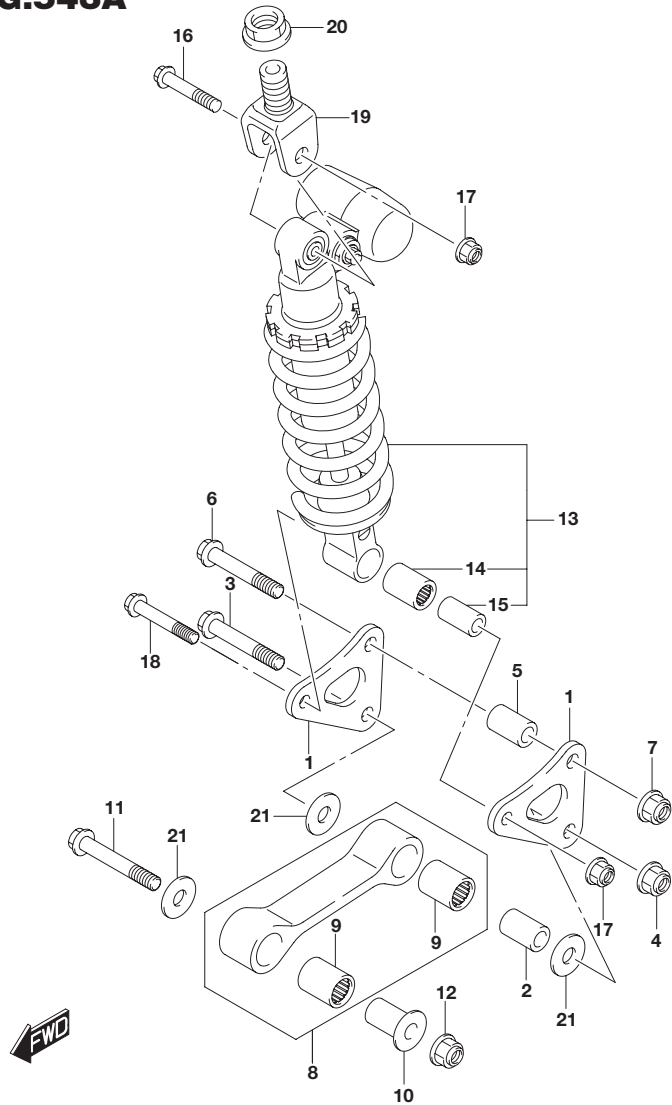


FIG.543A (1-G-2) REAR CUSHION LEVER

REF NO.	PART NO.	DESCRIPTION	Q'TY	REMARKS
1	62611-47H00	LEVER ,REAR CUSHION	2	
2	62317-27C10	SPACER ,REAR	1	
3	62658-47H00	BOLT ,LOWER	1	
4	09159-12056	NUT	1	
5	62317-44B00	SPACER ,UPPER	1	
6	62658-47H00	BOLT ,UPPER	1	
7	09159-12056	NUT	1	
8	62600-47810	ROD SET ,REAR CUSHION LEVER	1	
9	09263-20074	.BEARING (20X27X32)	2	
10	62647-47H00	SPACER ,FRONT	1	
11	62621-47H00	BOLT ,ROD	1	
12	09159-12056	NUT	1	
13	62100-47840-019	ABSORBER ASSY ,REAR SHOCK (BLACK)	1	
14	09263-17046	.BEARING (17X24X32)	1	
15	62317-47H00	.SPACER ,SHOCK ABS LOWER	1	
16	09103-10143	BOLT (10X55)	1	UPPER
17	09159-10115	NUT	2	
18	62313-47H00	BOLT	1	LOWER
19	62993-47H00	BRACKET ,ABSORBER	1	
20	62994-47H00	NUT RR SHOCK ABS BRACKET	1	
21	09160-12037	WASHER (12X34X1)	3	

FIG.555A

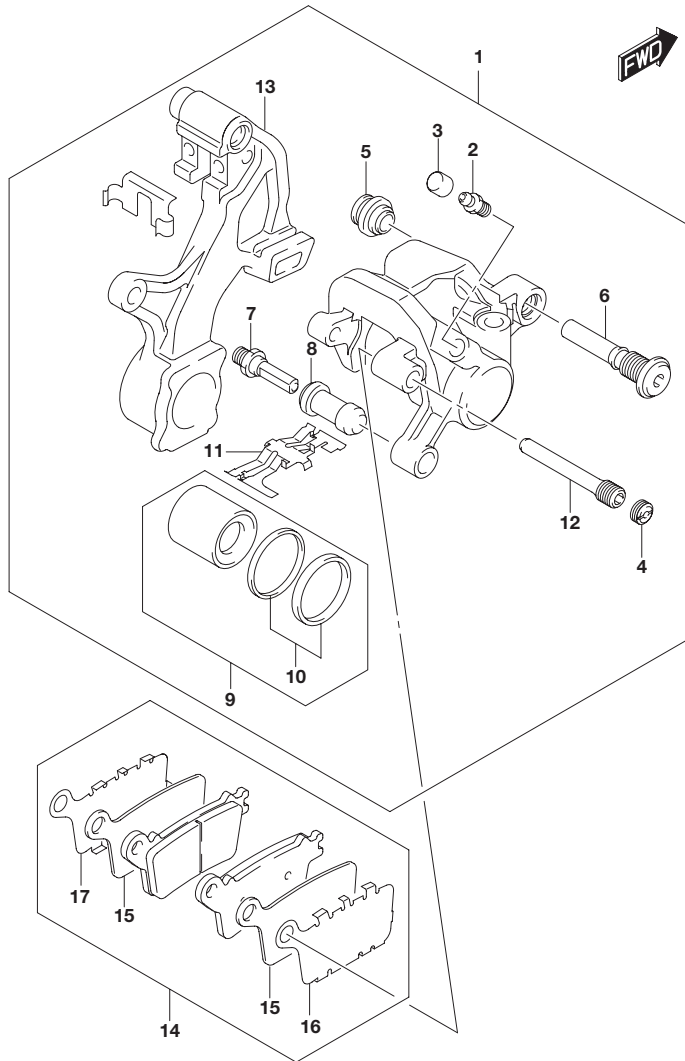


FIG.555A (1-G-4) REAR CALIPER

REF NO.	PART NO.	DESCRIPTION	Q'TY	REMARKS
1	69100-47H00-999	CALIPER ASSY , REAR	1	
2	59121-01A00	.BLEEDER	1	
3	59122-46H00	.CAP , BLEEDER	1	
4	59146-21E10	.PLUG , PIN	1	
5	59303-14500	.BOOT	1	
6	59305-36E00	.PIN , BOLT	1	
7	59382-14500	.PIN	1	
8	59386-13A00	.BOOT	1	
9	69100-47810	.PISTON SET	1	
10	69100-13810	..SEAL SET , PISTON	1	
11	69115-47H00	.SPRING , PAD	1	
12	69141-40F00	.PIN , PAD	1	
13	69150-47H00	.BRACKET , REAR	1	
14	69100-47820	PAD & SHIM SET	1	
15	69132-47H00	.INSULATOR	2	
16	69133-47H00	.RETAINER , PAD	1	
17	69134-47H00	.RETAINER , PAD	1	

FIG.558A

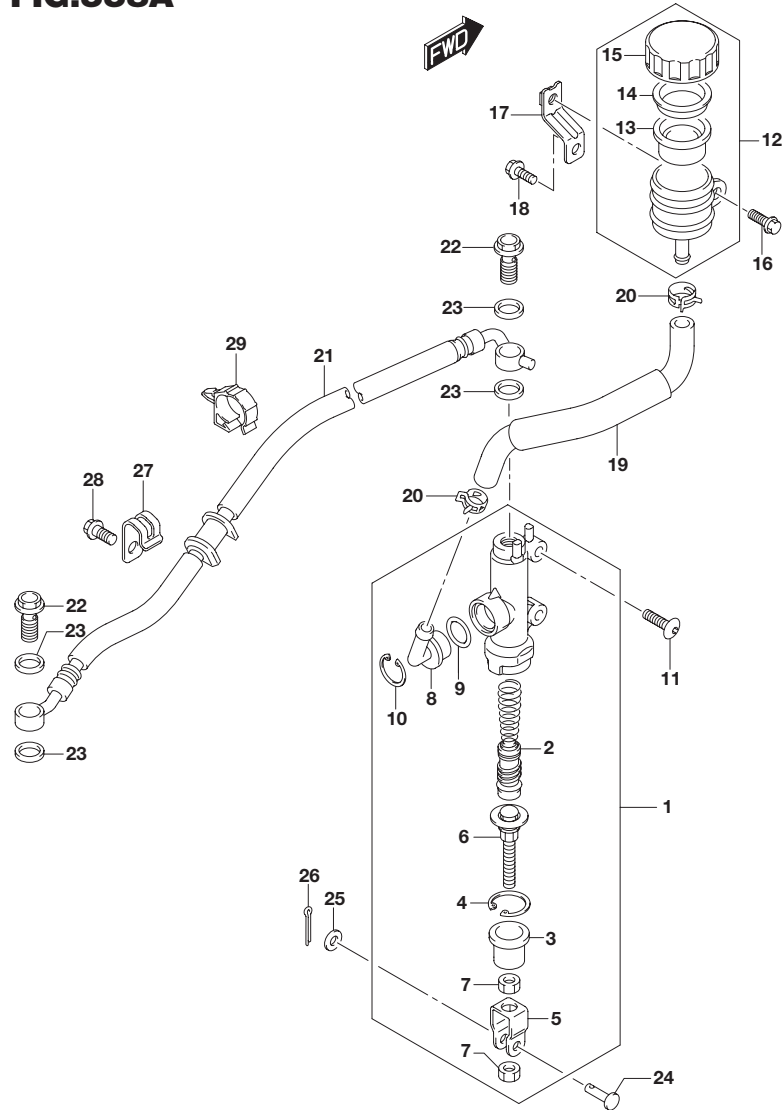


FIG.558A (1-G-5) REAR MASTER CYLINDER

REF NO.	PART NO.	DESCRIPTION	Q'TY	REMARKS
1	69600-47H10	CYLINDER ASSY ,REAR MASTER	1	
2	69600-34810	.PISTON / CAP SET	1	
3	69691-00A00	.BOOT	1	
4	69665-47H00	.CIRCLIP	1	
5	69692-44H00	.YOKE	1	
6	69670-40A00	.ROD ,PUSH	1	
7	69693-05A00	.NUT	2	
8	69672-00B20	.CONNECTOR	1	
9	69686-34200	.O RING	1	
10	69674-00B20	.CIRCLIP	1	
11	09139-06125	SCREW (6X20)	2	
12	69740-47H00	TANK ASSY ,REAR RESERVOIR	1	
13	69667-00B20	.DIAPHRAGM	1	
14	69668-00B20	.PLATE	1	
15	69669-47H00	.CAP	1	
16	01547-0616A	BOLT	1	
17	69750-47H00	BRACKET ,RR RESERVOIR TANK	1	
18	01547-0612A	BOLT	1	
19	69730-47H10	HOSE ,RR RESERVOIR TANK	1	
20	09401-12404	CLIP	2	
21	69480-47H00	HOSE ,REAR BRAKE	1	
22	09360-10065	UNION	2	
23	09161-10009	WASHER (10X15X1.5)	4	
24	09200-06068	PIN (6X18.2)	1	
25	08322-0106A	WASHER	1	
26	04111-2015A	PIN ,COTTER	1	
27	69268-21H00	CLAMP ,RR BRAKE HOSE	1	
28	01547-0612A	BOLT	1	
29	09403-17306	CLAMP	1	

4

FIG.916A

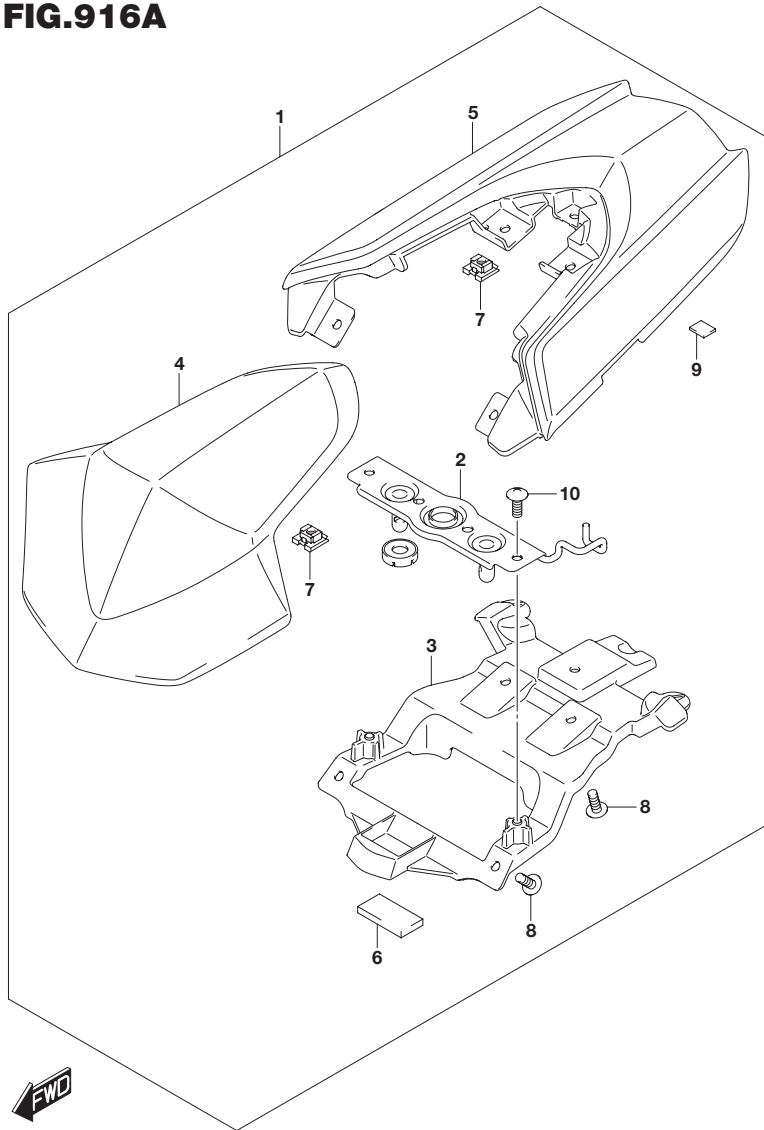


FIG.916A (1-G-7) SEAT TAIL BOX(OPTIONAL)

REF NO.	PART NO.	DESCRIPTION	Q'TY	REMARKS
1-1	45550-47H00-YSF	BOX ,SEAT TAIL (BLUE)	1	FOR AGQ
1-2	45550-47H00-AR4	BOX ,SEAT TAIL (BLACK/GRAY)	1	FOR AR4
2	45290-47H10	.STRIKER	1	
3	45553-47H00	.FRAME ,SEAT TAIL BOX	1	
4-1	45551-47H00-YSF	.BOX ,SEAT TAIL FR (BLUE)	1	FOR YSF
4-2	45551-47H00-PGZ	.BOX ,SEAT TAIL FR (GRAY)	1	FOR AR4
5-1	45552-47H00-YSF	.BOX ,SEAT TAIL RR (BLUE)	1	FOR YSF
5-2	45552-47H00-YVB	.BOX ,SEAT TAIL RR (BLACK)	1	FOR AR4
6	45149-47H00	.CUSHION	1	
7	09148-06018	.NUT	5	
8	02142-0616A	.SCREW	5	
9	45517-01H00	.CUSHION	3	
10	03541-0616A	.SCREW	2	

COLOR : AGQ=YSF (BLUE) , YWW (WHITE)
 : AR4=YVB (BLACK) , PGZ (GRAY)

PARTS NUMBER INDEX

PART NO.	FIG.NO.-REF.NO.	PART NO.	FIG.NO.-REF.NO.	PART NO.	FIG.NO.-REF.NO.
10000		12163-24F10	120A-2	12837-02H00	101A-10
		12164-47H00-0A0	120A-4		127A-7
		12164-47H00-0B0	120A-4	12891-47H10	126A-3
		12164-47H00-0C0	120A-4	12892-05C00-120	126A-11
		12164-47H00-0D0	120A-4	12892-05C00-125	126A-11
11100-47H10	103A-1	12165-27A50	120A-3	12892-05C00-130	126A-11
11115-29G70	103A-4	12224-47H00	120A-14	12892-05C00-135	126A-11
11117-30G00	103A-7	12228-48B00-0B0	108A-17	12892-05C00-140	126A-11
11141-47H01	101A-2		120A-7	12892-05C00-145	126A-11
	103A-5	12228-48B00-0C0	108A-17	12892-05C00-150	126A-11
11171-47H00	102A-1		120A-7	12892-05C00-155	126A-11
11173-35F00	101A-3	12228-48B00-0D0	108A-17	12892-05C00-160	126A-11
	102A-2		120A-7	12892-05C00-165	126A-11
11178-33E00	101A-4	12228-48B00-0E0	108A-16	12892-05C00-170	126A-11
	102A-3		108A-17	12892-05C00-175	126A-11
11182-35F10	101A-5		120A-6	12892-05C00-180	126A-11
	102A-7		120A-7	12892-05C00-185	126A-11
11191-27E00	101A-6	12228-48B00-0F0	108A-17	12892-05C00-190	126A-11
	102A-5		120A-7	12892-05C00-195	126A-11
11269-18G01	163A-16	12228-48B00-0G0	108A-17	12892-05C00-200	126A-11
11276-47H10	163A-17		120A-7	12892-05C00-205	126A-11
11277-47H10	163A-18	12228-48B00-0H0	108A-17	12892-05C00-210	126A-11
11300-47890	108A-1		120A-7	12892-05C00-215	126A-11
11318-35F00	108A-18	12229-41G00-0A0	120A-8	12892-05C00-220	126A-11
11319-33E50	108A-2	12229-41G00-0B0	120A-8	12911-47H00	126A-4
11322-47H00	108A-47	12229-41G00-0C0	120A-8	12912-47H10	126A-5
11341-47H00	112A-1	12229-41G00-0D0	120A-8	12920-47H00	126A-6
11342-41G10	112A-3	12229-41G00-0E0	120A-8	12931-47H00	126A-7
11351-47H00	112A-12	12229-47H00-0A0	124A-4	12932-32C00	126A-9
11361-47H00	112A-18	12229-47H00-0B0	124A-4	12933-47H00	126A-8
11380-47H00	108A-37	12229-47H00-0C0	124A-4	13101-47H00	103A-12
11382-47H00	108A-39	12600-47840	122A-7	13170-47H00	103A-14
11383-47H00	108A-41	12600-47850	122A-1	13269-18G00	140A-2
11390-21H00	108A-20	12612-47H00	122A-5	13271-43E00	140A-3
11401-47841	101A-1	12617-47H00	122A-9	13291-26E00	140A-4
11482-47H00	101A-7	12618-31G00	122A-2	13295-26E00	140A-5
	112A-2		122A-10	13406-47H20	140A-1
11483-47H00	101A-8	12654-47H00	124A-1	13420-47H00	140A-19
	112A-13	12666-40F00	124A-2	13424-35F10	140A-21
11489-47H00	101A-9	12686-40F00	124A-3	13426-21H00	140A-18
11511-47H00	116A-2	12710-47H10	126A-1	13427-35F10	140A-20
11971-25D00	116A-1	12720-47H10	126A-2	13428-15H00	140A-11
11971-33210	112A-8	12731-47H00	120A-13	13471-24F30	142A-15
12000-47860	108A-33	12760-40F01	127A-1	13473-15H00	142A-7
	120A-5	12771-47H00	127A-2	13473-21H00	142A-4
12111-47H50-0F0	120A-9	12782-35F10	127A-3	13474-47H00	142A-5
12140-47H10	120A-10	12800-05830	126A-12	13474-47H10	142A-6
12151-09204	122A-6	12811-47H00	127A-4	13565-21H00	140A-16
12151-47H00	120A-11	12812-31G00	127A-5	13575-40F00	140A-7
12160-47H00	120A-1	12830-47H00	127A-6		140A-14

PART NO.	FIG.NO.-REF.NO.	PART NO.	FIG.NO.-REF.NO.	PART NO.	FIG.NO.-REF.NO.
13580-18G00	140A-6	15420-05H00	172A-8	17854-47H10	187A-14
13580-47H00	140A-13	15610-14J00	172A-9	17855-47H10	187A-16
13601-21H00	140A-17	15625-29G30	155A-25	17861-47H00	187A-8
13601-35F00	142A-8	15625-29G40	155A-20	17863-47H00	187A-9
13605-15H00	140A-12	15630-29G30	155A-24	17910-47H00	187A-18
13605-40F00	140A-8	15630-29G40	155A-19	17931-02FA0	187A-19
	140A-15	15710-21H00	142A-1	17981-47H00	187A-22
13650-14G10	155A-21	15721-10G00	142A-10	17982-47H00	187A-24
13650-49X00	103A-20	15721-21H00	142A-3	18117-15H12	140A-9
13655-14G10	155A-22	15721-24F00	142A-9	18119-05H00	140A-10
13680-21H10	142A-16	15722-21H00	142A-2	18213-18H10	163A-20
13684-47H20	142A-11	15810-47H10	172A-16	18450-35F11	189A-1
13685-47H20	142A-12	16310-47H00	116A-16	18461-47H00	189A-4
13686-47H20	142A-13	16321-01H00	116A-12	18471-47H00	189A-5
13687-47H20	142A-14	16331-47H00	116A-14	18510-29G40	189A-2
13697-47H00	155A-26	16400-47H10	116A-8	18531-47H00	189A-8
13698-21H00	142A-17	16440-47H00	116A-17	18532-47H00	189A-9
13720-47H01	155A-1	16460-47H00	178A-7	18592-68K00	415A-24
13736-01H00	155A-4	16470-47H00	178A-8		415A-33
13740-47H00	155A-11	16510-07J00	178A-11	18711-47H00	189A-3
13746-47H00	155A-12	16520-47H00	116A-19	18803-40F10	496A-3
13756-47H00	155A-2	16591-06B01	108A-13		
13757-47H00	155A-3	16600-47H10	178A-1		
13780-47H10	155A-13	16650-47H10	178A-5		
13788-47H00	155A-10	17400-47H10	180A-1		
13831-47H00	155A-17	17410-47H10	180A-13	20000	
13850-47H00	155A-5	17415-20920	180A-14		
13856-19B03	155A-7	17418-33400	180A-7		
13859-41B10	155A-9	17432-07G00	180A-5		
13881-47H00	155A-14	17435-33400	180A-8		
13882-47H00	155A-15	17461-01H00	180A-4	21200-47810	201A-3
14100-47H10	163A-1	17470-02F10	180A-3	21253-01H10	201A-4
14181-22D01	101A-11	17491-01H00	180A-2	21410-41G40	201A-6
	163A-2	17511-47H00	180A-6	21413-47H10	201A-7
14289-37H00	415A-25	17568-50F00	187A-11	21414-29F00	201A-8
	415A-34	17661-35F00	187A-5	21441-42F20	201A-9
14310-47H40-H01	163A-7	17670-47H00	187A-6	21442-42F10	201A-10
14459-47H00	163A-8	17710-47H10	185A-1	21451-47H10	201A-12
14771-24F01	163A-9	17711-08J00	185A-7	21451-47H30	201A-11
15100-47H10	172A-1	17712-40F00	185A-8	21451-47H40	201A-13
15111-27G00	172A-2	17730-08J00	185A-2	21462-41G10	201A-14
15112-05H00	172A-3	17741-47H00	185A-9	21471-02F20	201A-15
15113-05H00	172A-4	17742-47H00	185A-10	21472-02F20	201A-16
15113-35F00	172A-5	17750-47H10	185A-11	21482-41G10	201A-17
15114-14J00	172A-10	17771-47H00	185A-16	21611-41G20	201A-18
15115-08J00	172A-11	17790-47H00	185A-14	21612-41G20	201A-19
15116-10F00	172A-7	17800-47H00	185A-6	21621-41G00	201A-20
15116-44H00	172A-13	17851-47H10	187A-1	21622-41G10	201A-22
15181-47H00	172A-6	17852-47H10	187A-2	21623-41G00	201A-23
15201-35F00	172A-14	17853-47H10	187A-3	21624-41G20	201A-21

PART NO.	FIG.NO.-REF.NO.	PART NO.	FIG.NO.-REF.NO.	PART NO.	FIG.NO.-REF.NO.
23110-27A00	201A-29	27600-40F20-114	206A-40	33971-47H00	312A-20
23111-47H00	201A-30	27620-40F20	206A-41	33977-47H00	312A-23
23121-41G30	201A-31			34111-47H00	330A-3
23122-41G00	201A-32			34120-47H60	330A-1
23123-41G00	201A-33			34149-18G00	330A-6
23125-41G00	201A-34	30000		34150-47H00	330A-2
23271-41G31	201A-35			34810-47H01	172A-12
24120-47H10	206A-1			34955-13E00	330A-7
24131-47H00	206A-18			34955-33E00	330A-4
24221-40F30	206A-2			34981-47H01	330A-8
24231-47H00	206A-3		31100-47H00	301A-1	34990-35F00
24251-47H00	206A-4	31150-40F01	301A-2	35100-47H31-999	333A-1
24252-24F10	206A-5	31153-49210	301A-3	35179-76F10	333A-4
24261-47H00	206A-6	31156-17E00	112A-4	35601-41G00	334A-1
24262-24F20	206A-7	31156-40F01	301A-9	35602-41G00	334A-5
24311-47H00	206A-21	31175-40F01	301A-4	35603-47H00	334A-12
24321-47H00	206A-22	31264-32C10	301A-5	35604-47H00	334A-20
24322-24F20	206A-23	31281-40F00	301A-6	35610-41G00	334A-2
24331-47H10	206A-24	31361-10200	301A-8	35618-10G50	334A-3
24332-24F20	206A-19	31361-32C10	301A-7	35630-41G00	334A-6
24333-47H00	206A-20	31361-38300	301A-10	35638-10G50	334A-7
24341-47H10	206A-25	31401-47H10	304A-1	35652-47H00	334A-13
24351-47H00	206A-26	31402-47H01	304A-2	35653-47H00	334A-18
24361-47H00	206A-27	31800-41G10	312A-1		334A-26
	206A-28	31861-38G00	312A-2	35658-41G00	334A-16
24741-01H00	206A-44	32371-13E30	304A-3	35672-47H00	334A-21
24751-47H00	206A-45	32800-47H00	312A-5	35678-41G00	334A-24
24771-01820	206A-46	32831-47H10	312A-6	35710-14JA0	339A-1
25211-01H10	212A-1	32920-47HH0	312A-15	35716-07A30	334A-17
25231-01H01	212A-2	33110-47H00	306A-2		334A-25
25310-47H00	212A-5	33115-47H00	306A-3	35726-47H00	339A-4
25312-42F01	212A-7	33120-47H00	306A-4	35910-41G31	339A-8
25350-06G00	212A-12	33220-01H00	306A-1	35912-41G01	339A-9
25355-01H00	212A-13	33410-47H00	312A-14	35913-41G00	339A-10
25381-13E30	212A-8	33610-14G11	310A-1	35917-41G00	339A-11
25411-27A00	212A-3	33624-16G00	310A-6	35927-41G30	339A-17
25510-47H00	212A-16	33652-13E00	480A-14	35950-14A11	333A-11
25512-06G10	212A-17		482A-2	35970-14A20	339A-21
25518-01H00	212A-23	33652-16G00	310A-2	36118-29G51	333A-2
25519-01H00	212A-25	33652-20C00	406A-6	36610-47HB0	350A-1
25520-01H00	212A-28		474A-17	36618-43410	310A-4
25525-01H00	212A-29	33652-21G10	334A-10	36618-47H00	350A-5
25600-47H00	212A-30		448A-13	36620-47H10	350A-4
25617-03F10	212A-35	33652-23H20	312A-16	36851-47H00	350A-16
25652-20C00	212A-31	33652-34000	312A-17	36855-47H00	350A-6
25671-01011	212A-18	33810-47H10	310A-3	36857-47H00	350A-17
25681-47H00	212A-36	33820-47H10	310A-5	36859-47H10	350A-18
25712-37F01	212A-4	33860-47H10	310A-7	36930-60A10	482A-3
27510-15H10	206A-38	33960-27G00	312A-18	37100-41G11	350A-20
27531-47H00	206A-39	33970-47H01	312A-19	37101-40821	350A-19

PART NO.	FIG.NO.-REF.NO.	PART NO.	FIG.NO.-REF.NO.	PART NO.	FIG.NO.-REF.NO.
37146-41G00	350A-31	43600-47H10	415A-17	45551-47H00-PGZ	916A-4
37200-47H30	355A-1	43611-37H00	415A-18	45551-47H00-YSF	916A-4
37400-47H10	355A-3	43621-37H00	415A-27	45552-47H00-YSF	916A-5
37730-14J00	212A-40	43700-47H10	415A-26	45552-47H00-YVB	916A-5
37740-31D00	350A-22	43816-47H00	415A-22	45553-47H00	916A-3
37820-33D10	116A-6	43826-47H00	415A-31	47111-47H00-YVB	445A-1
37822-33D00	116A-7	44100-47H01-YSF	420A-1	47111-47H00-YWWW	445A-1
37840-47H00	350A-25	44100-47H01-YVB	420A-1	47133-43H00	445A-3
38500-47H00	350A-27	44191-47H00	420A-4	47211-47H00-YVB	445A-2
38610-03F00	334A-32	44200-16850	420A-2	47211-47H00-YWWW	445A-2
38621-37H00	334A-33	44276-21H00	420A-7	47310-47H00-YSF	443A-1
38740-24X50	350A-29	44277-37H00	422A-13	47310-47H00-YVB	443A-1
	350A-30	44291-47H00-YSF	422A-5	47312-37H00	443A-4
		44291-47H00-YVB	422A-5	47411-47H10	448A-1
		44423-47H00	420A-16	47414-47H00	406A-1
		44424-15H10	420A-20	47421-47H00	448A-6
		44424-47H00	420A-21	47511-47H10	448A-2
		44424-47H10	420A-22	47521-47H00	448A-7
		44512-47H00	422A-10	47611-47H00-YKV	445A-8
		44521-47H00	422A-1	47611-47H00-YVB	445A-8
41100-47H20-YAP	401A-1	44523-47H00	422A-12	47621-47H00-YKV	445A-9
41211-47H00	401A-2	44530-41G00	420A-11	47621-47H00-YVB	445A-9
41221-47H00	401A-3	44541-41G00	420A-8	47911-47H00-YKV	443A-5
41233-18G20	401A-4	44542-41G00	420A-9	47911-47H00-YVB	443A-5
41770-01H00	401A-5	44556-33H00	448A-3	47912-47H00	443A-6
41911-40F01	401A-10	44561-18G00	420A-14	47913-37H00	443A-7
41921-47H00	401A-12	44572-02F01	333A-5	47921-47H00-YVB	443A-9
41921-47H10	401A-13		481A-2	47921-47H00-YWWW	443A-9
41922-47H00	401A-14	44572-13G00	420A-10		
42310-47H10	407A-1		448A-5		
42330-47H11	407A-7	44572-37H00	333A-6		
42335-47H00	407A-2		481A-3		
42411-47H00	407A-3	44572-44G00	420A-5		
42730-47H00	401A-6	44574-35F00	420A-25		
42741-37H00	401A-7	45100-47H10-DW2	505A-1		
42751-47H00	401A-8	45149-19D00	505A-2	51103-47H20	521A-1
43110-47H00	407A-9	45149-31E00	505A-3	51104-47H20	521A-21
43130-24A00	530A-11		505A-8	51110-47H20	521A-2
	550A-20	45149-47H00	916A-6	51118-47H00	521A-15
43511-47H00	415A-4	45180-47H00-P3H	505A-9		521A-35
43516-37H00	415A-8	45220-47H00	505A-13	51118-47H20	521A-20
43521-47H10	415A-5	45280-47H00	505A-15		521A-40
43526-37H00	415A-9	45288-14F00	505A-18	51120-47H20	521A-3
43531-41G10	415A-6	45289-11F00	505A-17	51131-47H20	521A-3
43541-47H00	415A-1	45290-47H01	505A-10		521A-23
43551-47H00	415A-2	45290-47H10	916A-2	51152-47H00	521A-4
43571-47H00	415A-14	45300-47H10-P3H	505A-7	51152-47H10	521A-24
43576-47H10	415A-15	45517-01H00	916A-9		521A-5
43576-48B02	415A-10	45550-47H00-AR4	916A-1		521A-25
43577-35F00	415A-16	45550-47H00-YSF	916A-1	51153-47H00	521A-6



PART NO.	FIG.NO.-REF.NO.	PART NO.	FIG.NO.-REF.NO.	PART NO.	FIG.NO.-REF.NO.	PART NO.	FIG.NO.-REF.NO.	PART NO.	FIG.NO.-REF.NO.	PART NO.	FIG.NO.-REF.NO.	PART NO.	FIG.NO.-REF.NO.																																																																																																																																																						
51153-47H00	521A-26	55413-22H00	550A-21	59305-36E00	555A-6	62658-47H00	543A-6	69141-40F00	555A-12	94476-47H00	483A-3	51168-29G00	521A-7	56111-47H10	462A-1	59382-14500	555A-7	69150-47H00	555A-13	94479-15H00	483A-10	51171-47H20	521A-27	56151-47H11	462A-2	59386-13A00	555A-8	62994-47H00	543A-19	69211-18G00	550A-5	94479-35F00	480A-15	521A-8	56200-41822	462A-4	59480-47H10	536A-5	63111-47H10	474A-1	69268-21H00	558A-27	521A-28	56272-10G00	462A-7	59600-01820	537A-2	63112-47H10-YVB	474A-3	69480-47H00	558A-21		94480-47H00-PGZ	485A-16		483A-4																																																																																																											
51173-27G00	521A-10	56273-10G10	462A-8	59600-47H00	537A-1	63112-47H10-YVW	474A-3	69600-34810	558A-2	94480-47H00-YVW	483A-4	51174-47H20	521A-30	56500-47H01	462A-9	59666-29G00	537A-3	63113-47H00	474A-4	69600-47H10	558A-1	94482-47H00	483A-14	51175-47H00	521A-14	56515-47H01	462A-10	59667-18441	537A-13	63114-47H00	474A-13	69665-47H00	558A-4	94483-47H00-PGZ	480A-17	521A-34	56600-47H01	462A-11	59668-18441	537A-14	63115-37H00	483A-15	69667-00B20	558A-13	94483-47H00-YVW	480A-17	51175-47H00	521A-11	56615-47H01	462A-12	59669-07D00	537A-15	63147-47H00	474A-8	69668-00B20	558A-14	94484-47H00	483A-12																																																																																																									
51176-47H20	521A-31	56619-41G01	462A-15	59671-01H00	537A-8	63170-47H00-YUS	474A-10	69669-47H00	558A-15	94486-47H00	483A-6	51187-47H00	521A-9	57110-21H01	467A-1	59672-17C00	537A-5	63180-47H00-YUS	474A-11	69670-40A00	558A-6	94490-47H30-YVB	485A-3	51187-47H00	521A-29	57211-21H00	467A-7	59673-17C00	537A-7	63191-25C00	187A-21	69672-00B20	558A-8	94490-47H80-YVB	485A-1	521A-18	57300-29G30	467A-2	59675-02FA0	537A-9	64111-47H00-019	550A-1	69674-00B20	537A-6	94498-47H00	485A-15	521A-38	57431-29G00	467A-3	59731-47H00	537A-22	64310-47H00	481A-4	69674-00B20	558A-10	94511-47H00	481A-10																																																																																																										
51187-47H10	521A-16	57431-41G00	467A-10	59735-17C00	537A-23	64339-14101	524A-17	69686-34200	537A-4	94575-47H00	462A-13	51189-47H20	521A-36	57460-14J01	467A-5	59740-47H00	537A-12	64511-47H10	550A-17	69691-00A00	558A-9	94576-47H00	462A-14	51189-47H20	521A-19	57465-17C00	467A-6	59743-17C00	537A-16	64610-47H00	550A-12	69692-44H00	558A-3	94671-47H10-YHG	480A-10	521A-39	57500-41G20	467A-8	59751-47H10	537A-19	64651-47H10	550A-16	69693-05A00	558A-7	94671-47H10-YK	480A-10	524A-5	57532-41G00	467A-11	64711-49G00	550A-7	69693-05A00	558A-7	94672-47H10-YSF	480A-11																																																																																																												
51321-27E30	524A-6	57560-41G20	467A-13	61000-47H10-YAP	541A-1	64731-35F10	550A-2	69730-47H10	558A-19	94672-47H10-YVB	480A-11	51321-36F00	521A-41	57562-41G20	467A-14	64733-35F00	550A-13	69740-47H00	558A-12	69730-47H10	558A-12	94682-47H10-YSF	480A-12	51328-27E30	524A-4	57621-41G00	467A-9	64741-35F00	550A-10	69750-47H00	558A-17	69750-47H00	558A-17	94682-47H10-YVB	480A-12	51353-01H00	524A-8	64751-47H00	550A-11	94980-42A01	496A-4	51354-01H00	524A-7	65110-47H10	550A-19	65110-47H10	550A-19	94980-42A01	496A-4																																																																																																																		
51410-47H20	524A-1	57644-33E00	467A-17	61124-41G00	541A-5	68111-47HA0	422A-6	68181-33C20-019	483A-2	99000-69491	126A-13	51556-38B00	521A-12	58200-47H20	462A-16	68191-47H00-019	483A-5	68251-47H00-AR9	530A-13	68251-47H00-AR9	550A-22	99011-47H55-01A	496A-5	51631-33E00	524A-13	58300-47H10	462A-18	61212-47H00	541A-11	68251-47H00-AR9	530A-13	68251-47H00-AR9	550A-22	99011-47H55-01F	496A-5	51641-33E00	524A-12	61213-41G00	541A-12	68251-47H00-AR9	530A-14	68251-47H00-AR9	550A-23	99011-47H55-01F	496A-5																																																																																																																						
51643-41G00	524A-10	59100-14J10-999	535A-1	61214-42E10	541A-10	68252-47H00-AR9	530A-14	94411-47H00-PGZ	481A-1	00000		51644-12C00	524A-3	59100-14810	535A-2	68275-47H00	481A-5	94411-47H00-PGZ	481A-1	94411-47H00-PGZ	481A-1	94413-08F00	443A-8	51750-21H20	524A-11	59100-14820	535A-7	61215-41G00	541A-14	68281-47HA0	524A-19	94419-47H00	482A-1	94420-47H00	480A-1	51827-29G00	521A-17	61251-41G00	541A-7	68319-29F10	496A-1	94423-47H00	480A-3	52110-47H20	521A-37	61273-47H00	541A-16	68332-47H50	496A-2	94430-47H00	480A-2	53100-47H10-YGS	521A-33	61281-41G00	541A-4	68680-47H30-ASC	485A-2	94433-47H00	480A-4	54111-37H00-019	530A-1	61311-21H00	541A-18	68681-21HA0	485A-4	94440-47H30-YVB	485A-8	54711-47H00	530A-5	61445-40F20	541A-21	68681-47H20-HVR	485A-5	94440-47H80-YVB	485A-6	54712-47H00	530A-6	61446-40F10	541A-22	68681-47H20-HVR	485A-5	94443-06G00	480A-13	54731-35F10	530A-2	61544-94500	420A-19	68690-47H30-ASC	485A-7	94443-21H00	334A-11	54751-41G10	530A-7	62100-47840-019	543A-13	68691-47H20-HVR	485A-10	94458-21H00	482A-7	55110-47H10	530A-10	62131-47H00	543A-18	68910-13810	555A-10	94461-47H00	482A-5	55411-22H00	530A-12	62217-27C10	543A-2	69100-47H00-999	555A-1	94462-47H00	482A-6	55412-22H00	530A-21	62317-47H00	543A-15	69100-47810	555A-9	01547-0616A	558A-18	55413-22H00	530A-12	62317-47H00	543A-15	69100-47810	555A-9	01547-0616A	558A-16	55413-22H00	530A-21	62621-47H00	543A-11	69115-47H00	555A-14	01547-0620A	187A-7	55413-22H00	530A-12	62624-47H00	543A-10	69132-47H00	555A-11	01547-0620A	187A-10	55413-22H00	530A-21	62658-47H00	543A-3	69133-47H00	555A-16	01547-0625A	116A-3	55413-22H00	530A-12	62658-47H00	543A-3	69134-47H00	555A-17	01547-0625A	212A-32

PART NO.	FIG.NO.-REF.NO.	PART NO.	FIG.NO.-REF.NO.	PART NO.	FIG.NO.-REF.NO.
01547-0630A	108A-38	04211-09149	116A-11	09103-06188	108A-48
01547-0635A	108A-3 180A-16	04211-09189 04211-11169	112A-5 103A-6	09103-06201 09103-06204	189A-10 474A-5
01547-0645A	108A-7	04221-04089	212A-6	09103-06213	112A-15
01547-0650A	116A-9	04221-07129	206A-10	09103-06222	103A-8
01550-0610A	178A-6	06111-07004	415A-21	09103-06223	201A-36
01550-0612A	185A-12		415A-30		301A-11
	334A-34	07120-0510B	474A-12	09103-06224	112A-20
01550-0616A	185A-13	07120-0512B	330A-10	09103-06239	112A-21
	312A-10	07120-0612A	172A-15	09103-06266	103A-2
	480A-8	07120-0650A	103A-9	09103-06285	116A-15
01550-0616B	350A-28	07130-0510A	306A-6		401A-9
01550-0620A	116A-21		306A-7	09103-06286	312A-11
01550-0645A	312A-12	07130-0512A	304A-4		350A-26
01550-0835A	108A-8	07130-0612A	108A-42	09103-06307	185A-15
01550-0845A	481A-11	07130-0616A	306A-8	09103-06308	112A-7
01550-0855A	108A-4 108A-9	07130-0625A	127A-8 304A-5	09103-08358 09136-06056	163A-10 163A-11
01550-0865A	108A-5 108A-10	07130-0825A	163A-3	09103-08512	401A-11
		07130-0825B	330A-11	09103-09012	108A-6
02112-0530B	355A-2	08211-06141	212A-15	09103-10143	543A-16
02112-0535B	355A-4	08211-10221	122A-4	09103-10189	122A-11
02112-0616A	180A-9		122A-14	09103-10429	535A-12
02122-0512B	541A-15	08211-10285	122A-15	09103-12110	108A-43
02122-0616B	103A-15	08211-20403	122A-16	09106-05017	420A-3
02122-0630A	505A-14		124A-5	09106-05023	212A-41
02122-0640B	462A-5	08310-0006A	201A-46	09106-05031	339A-2
02142-0410A	537A-17	08313-2008A	481A-12	09106-06073	178A-9
02142-0616A	339A-20 916A-8	08316-1005A 08316-1006A	339A-22 312A-13	09106-06075	108A-22 108A-40
03211-0412A	334A-19		339A-18	09106-06119	420A-15
	334A-27		505A-12	09106-06124	530A-9
03211-0416A	334A-14	08316-1008A	541A-24	09106-07009	102A-4
	334A-22	08319-2106A	467A-4	09106-08130	524A-16
	339A-13	08319-3106A	467A-12	09106-08160	550A-6
03511-0516A	155A-23	08319-3108A	524A-18	09106-08167	212A-37
03541-0412A	334A-29	08319-3110A	550A-18	09106-08185	462A-3
03541-0512A	334A-30 445A-10	08322-0106A	474A-15 558A-25	09106-08186	415A-3 415A-35
03541-0516A	339A-7	08331-3112A	212A-39	09106-10064	407A-8
	406A-4	08331-3114A	212A-27		415A-7
	448A-9	08331-4130A	108A-34	09106-10089	108A-45
	480A-19	08331-41329	120A-16	09106-10090	108A-46
	483A-13	08331-41349	206A-52	09111-05006	537A-18
	485A-17	08332-1106A	415A-13	09111-06041	212A-14
03541-0525A	155A-16		415A-23	09111-06072	541A-17
03541-0616A	916A-10		415A-32	09111-06085	187A-20
04111-2015A	558A-26	08361-2508A	163A-15	09111-06089	155A-18
04211-09129	112A-19	09100-06099	180A-12	09111-06107	474A-2
04211-09149	112A-14	09100-08287	541A-23		482A-8

PART NO.	FIG.NO.-REF.NO.	PART NO.	FIG.NO.-REF.NO.	PART NO.	FIG.NO.-REF.NO.
09111-06107	541A-19	09148-06018	916A-7	09168-14002	116A-5
09116-06202	312A-21	09159-05019	481A-8	09168-16009	103A-19
09118-06097	185A-3	09159-05048	537A-21	09169-06082	480A-9
09118-06122	178A-2	09159-06096	339A-14	09180-06283	443A-3
09118-08152-A05	163A-4	09159-10103	407A-4	09180-06290	178A-3
09119-06109	333A-12	09159-10115	543A-17		185A-4
09125-05042	462A-20	09159-12054	108A-44	09180-06325	312A-7
09125-05133	481A-6	09159-12056	543A-4	09180-06345	312A-8
09125-05134	481A-7		543A-7	09180-06356	339A-15
09125-06060	541A-6		543A-12	09180-08152	163A-5
09126-06014	212A-26	09159-20006	541A-9		163A-13
09128-06013	312A-4	09159-22008	206A-42	09181-08139	201A-24
09132-03008	330A-5	09159-24010	201A-25	09181-10158	116A-13
09132-04032	334A-9	09159-25003	550A-8	09181-12167	122A-12
09132-05050	480A-20	09160-05501	339A-5	09181-14195	212A-20
09134-06015	201A-37		448A-10	09181-22223	206A-30
09136-05062	333A-10	09160-06012	422A-8	09181-24005	206A-31
09136-06056	443A-2	09160-06028	474A-6	09181-27016	206A-43
09136-06147	212A-9	09160-06077	339A-19	09181-30167	206A-29
09137-05004	301A-12	09160-06088	505A-11	09200-06068	558A-24
09139-05064	448A-12	09160-06131	462A-6	09206-08007	103A-3
	483A-7	09160-08043	333A-13	09206-10016	102A-6
09139-05077	480A-18	09160-08142	163A-12	09208-08014	415A-19
	485A-11	09160-10020	201A-38		415A-28
09139-05078	422A-2	09160-12011	212A-38	09208-08018	415A-11
09139-06105	422A-7	09160-12037	543A-21	09241-23005	108A-23
09139-06125	558A-11	09160-14016	212A-19	09246-05006	108A-24
09139-06131	460A-3	09160-15045	201A-39	09247-14036	116A-4
09139-06144	406A-2	09160-25056	201A-26	09248-10010	108A-29
09139-06146	460A-4	09160-25070	550A-9		112A-16
09139-06151	108A-15	09160-25073	201A-1	09248-12004	108A-25
09139-06152	339A-3	09160-25077	201A-27	09248-16012	103A-18
09139-06153	206A-47	09160-27008	206A-9	09259-26011	108A-35
09139-06159	206A-48 206A-49	09161-10009	536A-4 558A-23	09259-36021	112A-10
09139-06169	474A-14	09164-06006	180A-11	09262-25167	530A-3
09139-06181	422A-11	09164-24008	201A-28	09262-28052	550A-3
09139-06190	483A-9	09167-27001	206A-8	09262-32022	550A-14
	485A-13	09168-06018	108A-28	09263-10014	201A-41
	505A-6	09168-06023	103A-10	09263-12023	122A-13
09139-06191	420A-12		112A-6	09263-12027	212A-42
09139-08016	350A-21	09168-06025	180A-10	09263-14027	212A-21
09140-06020	212A-34	09168-06026	187A-12	09263-15003	201A-40
09140-06025	212A-33	09168-08016	108A-11	09263-17046	543A-14
09148-04021	334A-28		180A-15	09263-20070	541A-3
09148-05006	443A-11	09168-10002	108A-30	09263-20074	543A-9
09148-05038	334A-31		112A-17	09263-20103	206A-11
	445A-7	09168-10031	108A-12	09263-24030	206A-33
09148-05052	422A-4	09168-12002	108A-26	09263-25018	212A-11
	480A-6	09168-12017	103A-21	09263-26035	122A-8

SUZUKI **GSX-R1000L4** PARTS CATALOGUE

© 2014 Suzuki Motor Corporation. All rights reserved.

No part of this document may be modified, reproduced, distributed, sold or transmitted in any form or by any means, electronic or mechanical, for any purpose, without the express written permission of Suzuki Motor Corporation.

Moto Map

Sales Network

1

INFORMATION
ILLUSTRATION INDEX

2

ENGINE
TRANSMISSION

3

ELECTRICAL

4

BODY

5

PARTS NUMBER INDEX

