

SUZUKI

PARTS CATALOGUE

DF200/225/250

DF200T/Z
DF225T/Z
DF250T/Z



OUTBOARD MOTOR

E01/E40

2012-7

1ST EDITION

PREFACE

When it becomes necessary to replace parts on SUZUKI OUTBOARD MOTORS, always use SUZUKI GENUINE PARTS which have passed a strict inspection which guarantees quality and performance.

This parts catalogue covers the list of all service parts for SUZUKI DF200/225/250 production start 2012.

INSTRUCTIONS FOR QUOTING THE CATALOGUE

1. DIMENSIONS

Dimensions of the parts in this catalogue are indicated in unit millimeters.

2. ABBREVIATIONS

Abbreviations used in this catalogue are as follows:

AR	: As required	NT	: Number of teeth
ASSY	: Assembly	OPT	: Optional
E. NO.	: Engine number	OS	: Over size
F. NO.	: Frame number	STD	: Standard
D	: Diameter of material	T	: Thickness
ID	: Inside diameter	US	: Under size
OD	: Outside diameter	W	: Width
L	: Length	W/	: With
LH(PORT)	: Left hand side	L, X, XX	: Transom type
RH(STBD)	: Right hand side	SUS	: Stainless steel
~123456	: Up to E. NO. 25003F-123456	PTT	: Power trim and tilt
123456~	: From E. NO. 25003F-123456		

12 x 34 x 5.6..... Figures in the description column

| _ | _ | _ show the dimensions of parts. _ _ _ _ _

ID OD T(or W, L)

→12345-56781 (Parts No.) : indicates that the parts number was changed to 12345-56781 and the new parts are interchangeable with the former ones but the former ones are not interchangeable with new ones.

←12345-56781 (Parts No.) : indicates that the former and new parts are interchangeable with each other and both are usable.

3. INNER PARTS OF ASSEMBLY

Part name with a dot (.) in front as shown in the description column indicates the component of the assembly also available individually.

4. MODIFICATION NOTICE

A parts bulletin will be sent to you on all occasions when changes in parts occur, including interchangeable modifications between new parts and old ones.

5. NOTE

5-1. There are some different parts from those of production models among other models.

5-2. In respect of rubber hoses and vinyl tubes, please be sure to use them by cutting off according to the length mentioned on parts catalogue or what is actually required on the vehicle.

5-3. Note that the drawings on the illustration page are for ready reference of spare parts number, not to be used as an assembly manual. When assembling, use "SUZUKI SERVICE MANUAL".

6. MODEL NAME AND ENGINE NUMBER

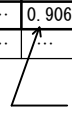
MODEL	DESTINATION	TYPE	TRANSOM	ENGINE No.
DF200T	E01	20002F	L, X, XX	20002F-310001~
DF200Z	E01	20002Z	X, XX	20002Z-310001~
DF200T	E40	20002F	L, X	20002F-310001~
DF200Z	E40	20002Z	X	20002Z-310001~
DF225T	E01, E40	22503F	X, XX	22503F-310001~
DF225Z	E01, E40	22503Z	X, XX	22503Z-310001~
DF250T	E01, E40	25003F	X, XX	25003F-310001~
DF250Z	E01, E40	25003Z	X, XX	25003Z-310001~

MILLIMETER → INCH CONVERSION CHART

	0	1	2	3	4	5	6	7	8	9
00	.000	.039	.079	.118	.157	.197	.236	.276	.315	.354
10	.394	.433	.472	.512	.551	.591	.630	.669	.709	.748
20	.787	.827	.866	.906	.945	.984	1.024	1.063	1.102	1.142
30	1.181	1.220	1.260	1.299	1.339	1.378	1.417	1.457	1.496	1.535
40	1.575	1.614	1.654	1.693	1.732	1.772	1.811	1.850	1.890	1.929
50	1.969	2.008	2.047	2.087	2.126	2.165	2.205	2.214	2.283	2.323
60	2.362	2.402	2.441	2.480	2.520	2.559	2.598	2.638	2.677	2.717
70	2.756	2.795	2.835	2.874	2.913	2.953	2.992	3.031	3.071	3.110
80	3.150	3.189	3.228	3.268	3.307	3.346	3.386	3.425	3.465	3.504
90	3.543	3.583	3.622	3.661	3.701	3.740	3.780	3.819	3.858	3.898

How to read

	0	1	2	3	4
00
10
20	0.906	...
30


 23 millimeters equal 0.906 inch

Contents are subject to change without notice or obligation.

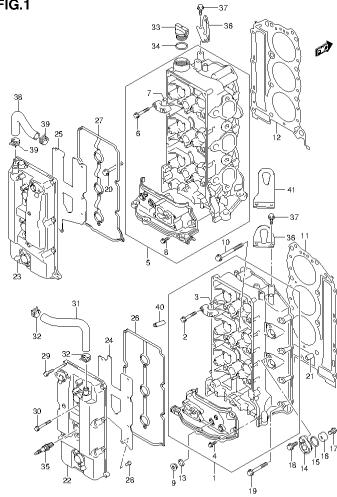
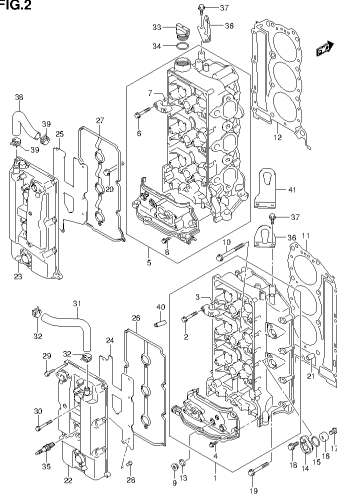
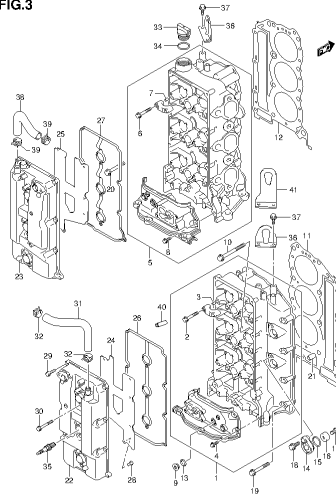
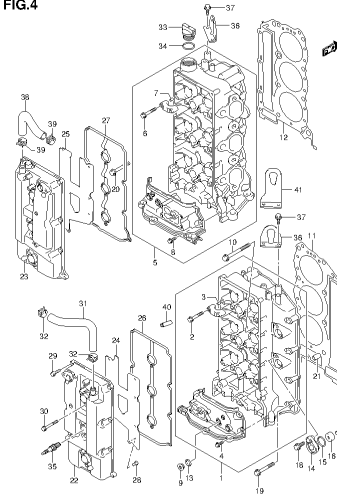
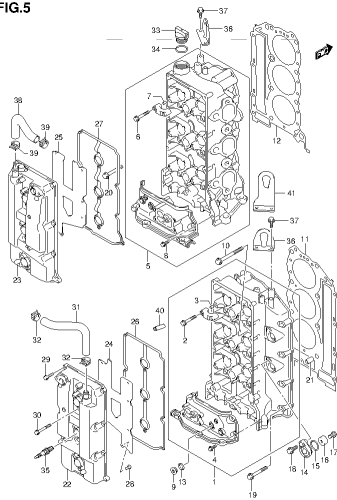
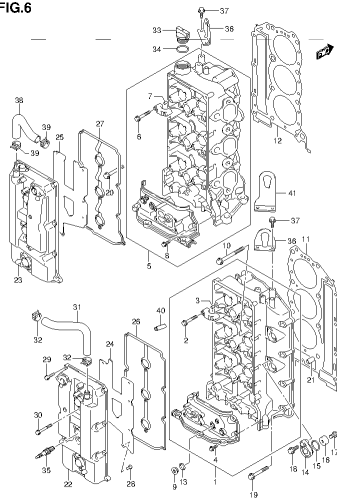
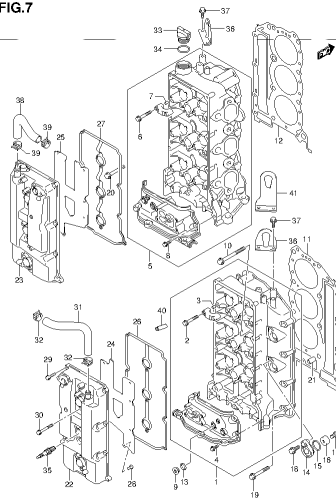
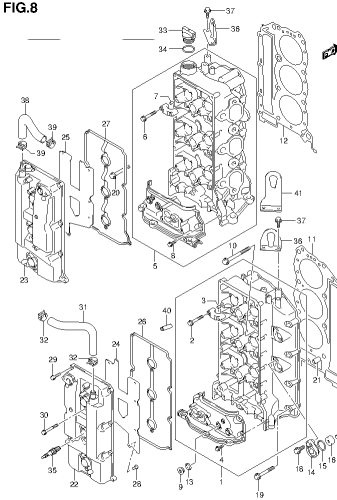
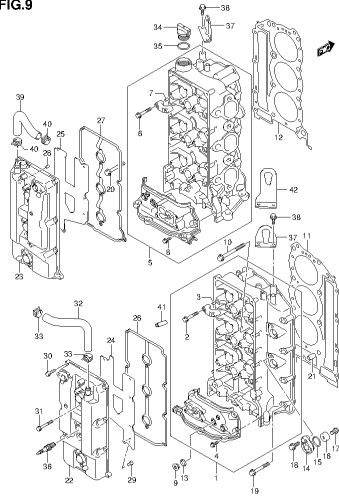
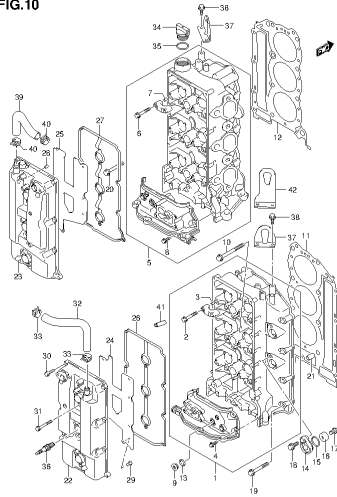
FIG.1DF250_E91_013_001
CYLINDER HEAD**FIG.2**DF250_E91_013_002
CYLINDER HEAD**FIG.3**DF250_E91_013_003
CYLINDER HEAD**FIG.4**DF250_E91_013_004
CYLINDER HEAD**FIG.5**DF250_E91_013_005
CYLINDER HEAD**FIG.6**DF250_E91_013_006
CYLINDER HEAD**FIG.7**DF250_E91_013_007
CYLINDER HEAD**FIG.8**DF250_E91_013_008
CYLINDER HEAD

FIG.9



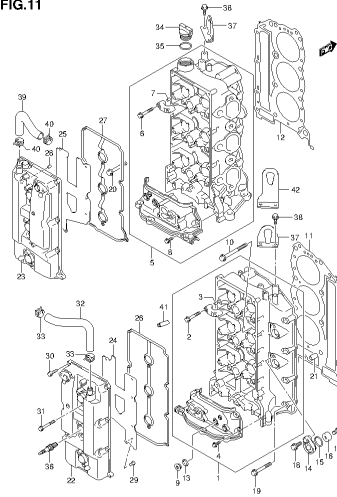
DF250_E91_013_009
CYLINDER HEAD

FIG.10



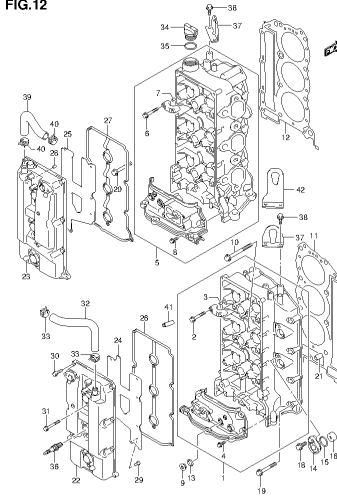
DF250_E91_013_010
CYLINDER HEAD

FIG.11



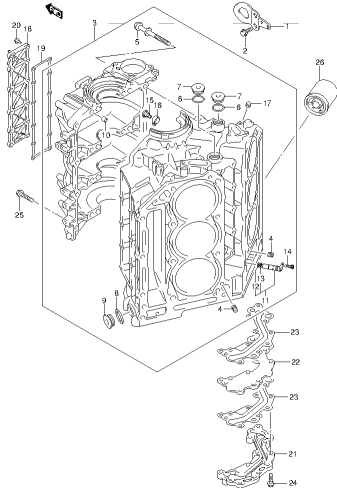
DF250_E91_013_011
CYLINDER HEAD

FIG.12



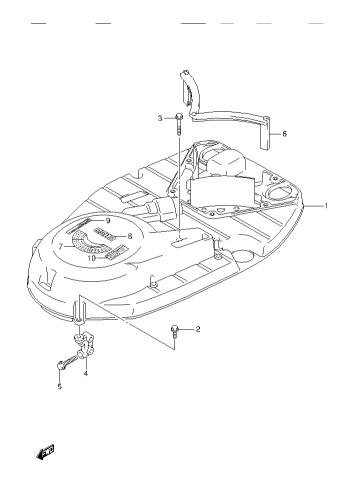
DF250_E91_013_012
CYLINDER HEAD

FIG.13



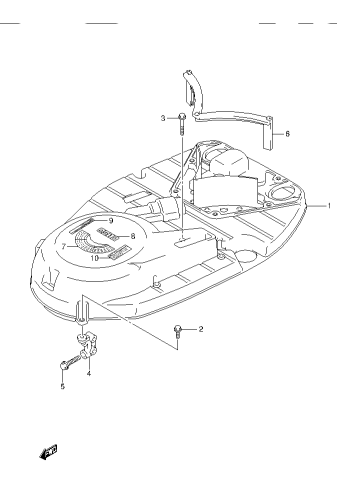
DF250_E91_013_013
CYLINDER BLOCK

FIG.14



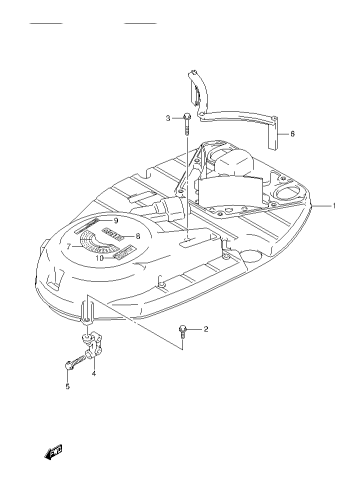
DF250_E91_013_014
RING GEAR COVER

FIG.15



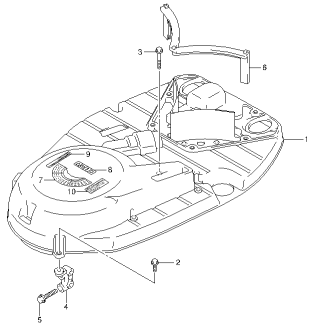
DF250_E91_013_015
RING GEAR COVER

FIG.16



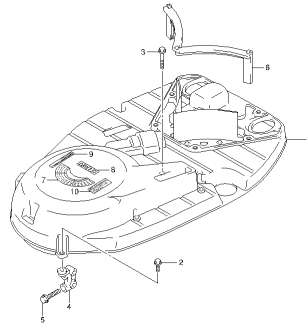
DF250_E91_013_016
RING GEAR COVER

FIG.17



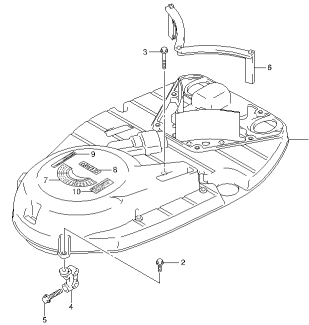
DF250_E91_013_017
RING GEAR COVER

FIG.18



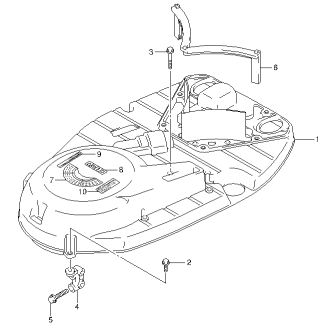
DF250_E91_013_018
RING GEAR COVER

FIG.19



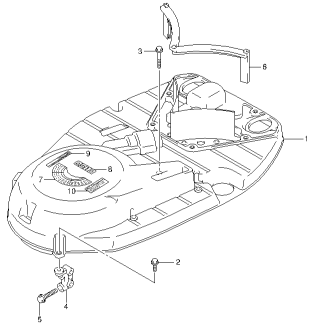
DF250_E91_013_019
RING GEAR COVER

FIG.20



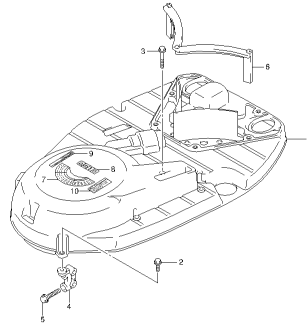
DF250_E91_013_020
RING GEAR COVER

FIG.21



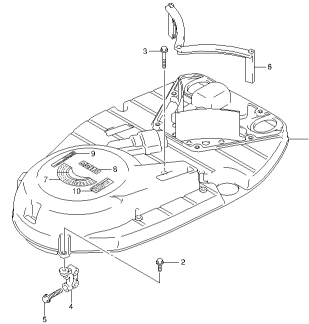
DF250_E91_013_021
RING GEAR COVER

FIG.22



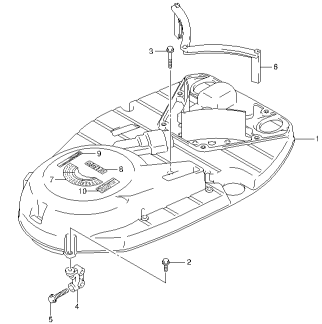
DF250_E91_013_022
RING GEAR COVER

FIG.23



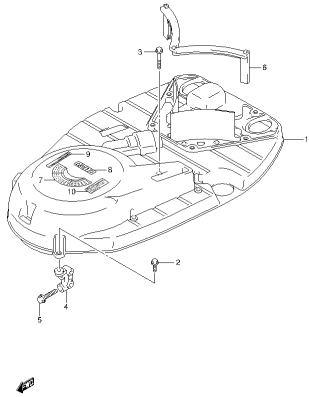
DF250_E91_013_023
RING GEAR COVER

FIG.24



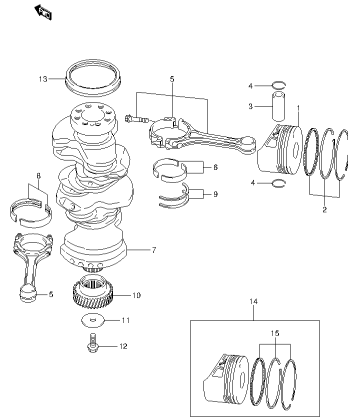
DF250_E91_013_024
RING GEAR COVER

FIG.25



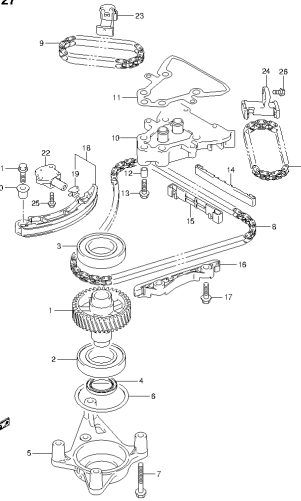
DF250_E91_013_025
RING GEAR COVER

FIG.26



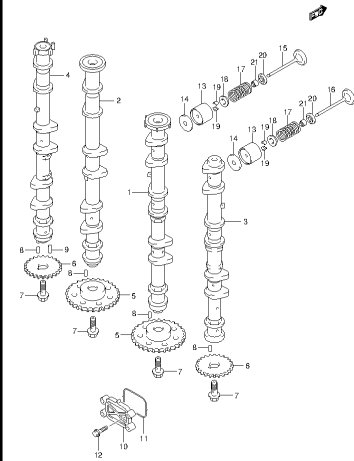
DF250_E91_013_026
CRANKSHAFT

FIG.27



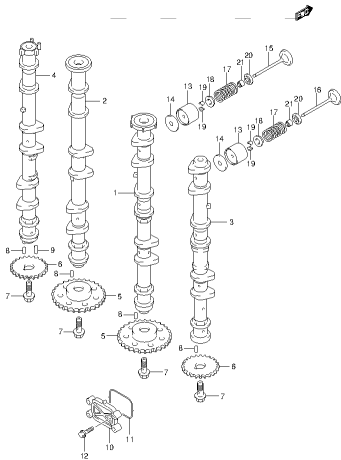
DF250_E91_013_027
TIMING CHAIN

FIG.28



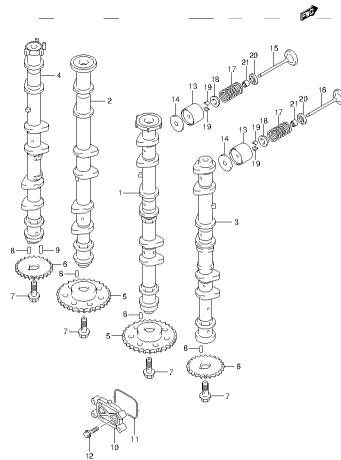
DF250_E91_013_028
CAMSHAFT

FIG.29



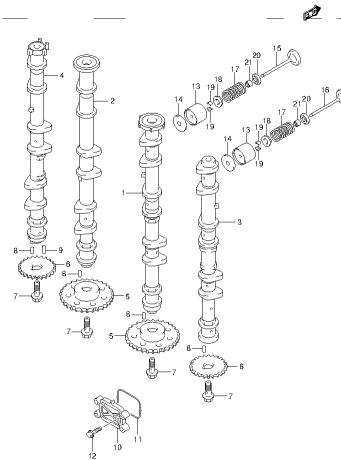
DF250_E91_013_029
CAMSHAFT

FIG.30



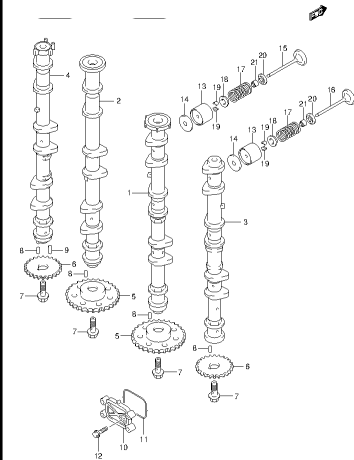
DF250_E91_013_030
CAMSHAFT

FIG.31



DF250_E91_013_031
CAMSHAFT

FIG.32



DF250_E91_013_032
CAMSHAFT

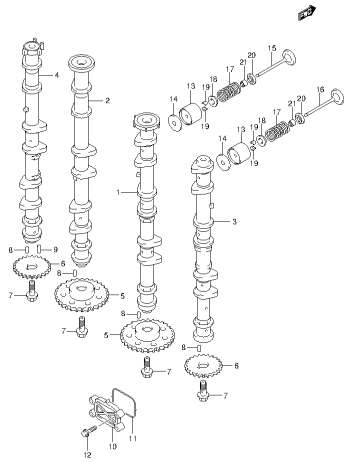
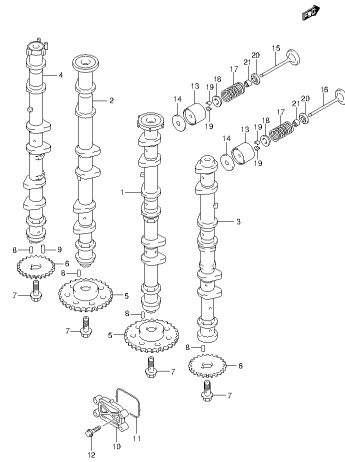
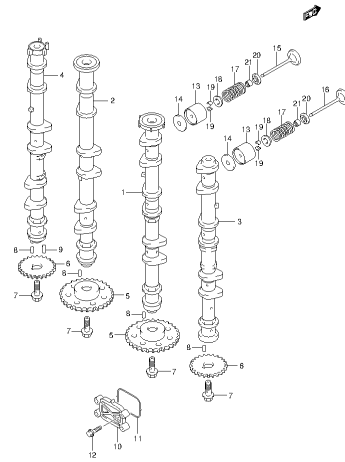
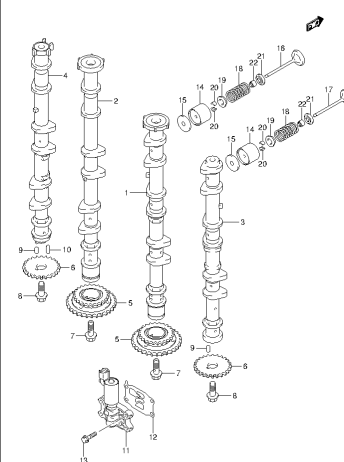
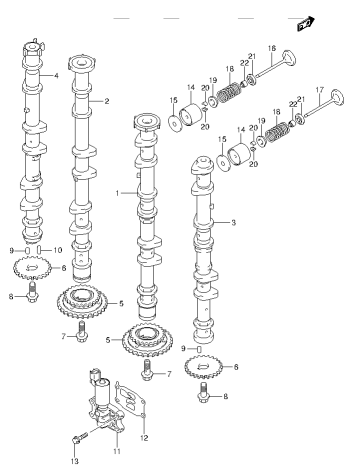
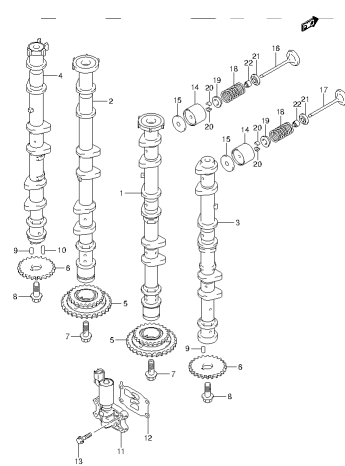
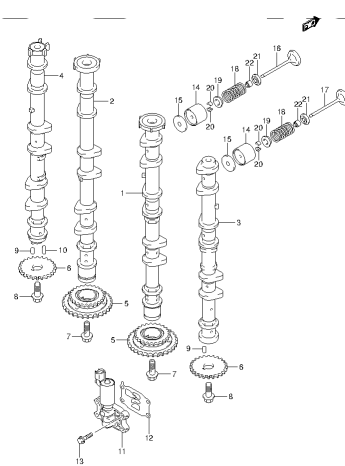
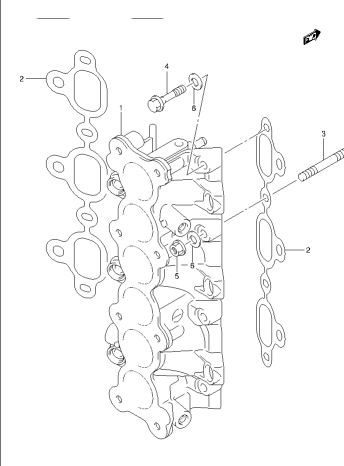
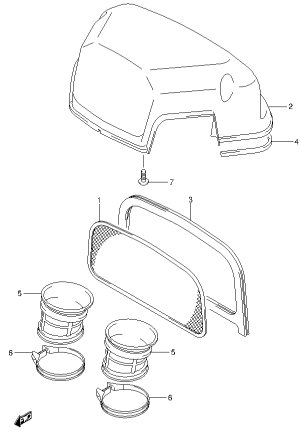
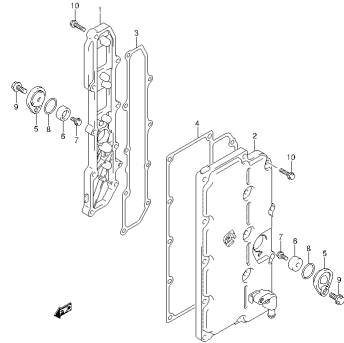
FIG.33DF250_E91_013_033
CAMSHAFT**FIG.34**DF250_E91_013_034
CAMSHAFT**FIG.35**DF250_E91_013_035
CAMSHAFT**FIG.36**DF250_E91_013_036
CAMSHAFT**FIG.37**DF250_E91_013_037
CAMSHAFT**FIG.38**DF250_E91_013_038
CAMSHAFT**FIG.39**DF250_E91_013_039
CAMSHAFT**FIG.40**DF250_E91_013_040
INTAKE MANIFOLD

FIG.41



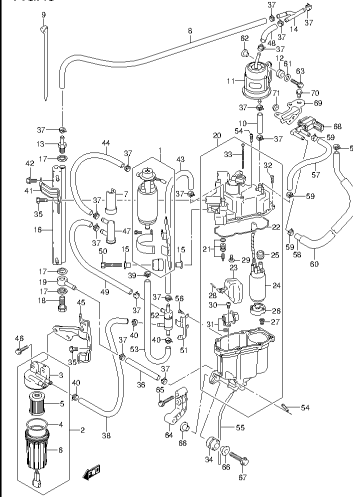
DF250_E91_013_041
SILENCER

FIG.42



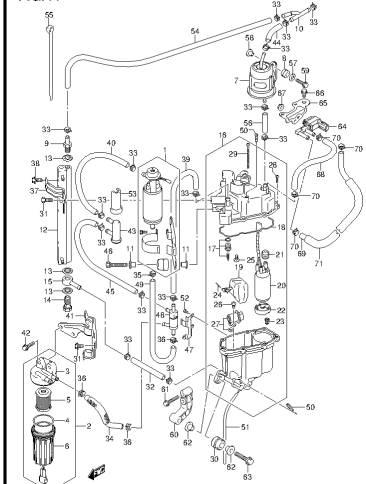
DF250_E91_013_042
EXHAUST COVER

FIG.43



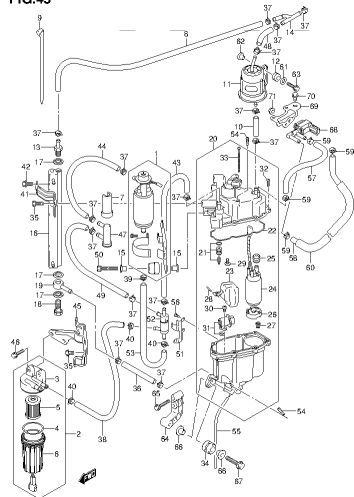
DF250_E91_013_043
FUEL PUMP / FUEL VAPOR SEPARATOR

FIG.44



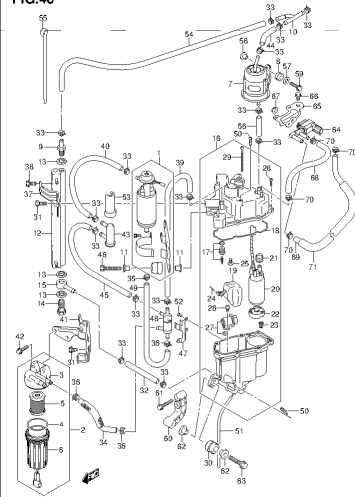
DF250_E91_013_044
FUEL PUMP / FUEL VAPOR SEPARATOR

FIG.45



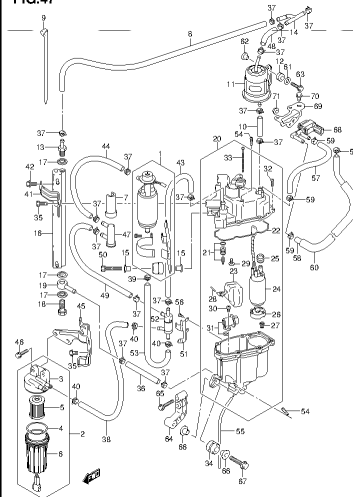
DF250_E91_013_045
FUEL PUMP / FUEL VAPOR SEPARATOR

FIG.46



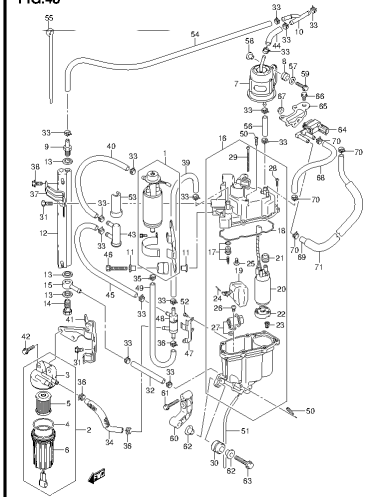
DF250_E91_013_046
FUEL PUMP / FUEL VAPOR SEPARATOR

FIG.47



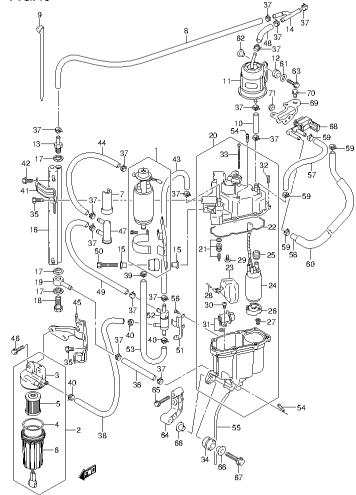
DF250_E91_013_047
FUEL PUMP / FUEL VAPOR SEPARATOR

FIG.48



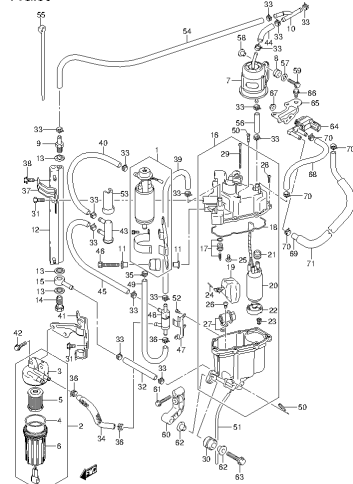
DF250_E91_013_048
FUEL PUMP / FUEL VAPOR SEPARATOR

FIG.49



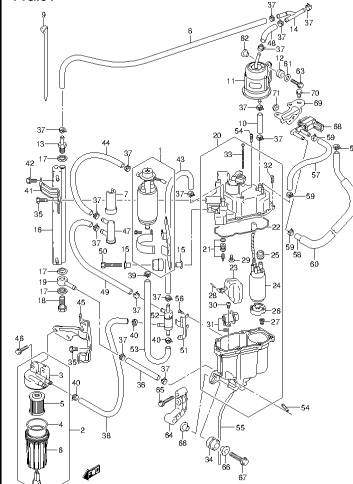
DF250_E91_013_049
FUEL PUMP / FUEL VAPOR SEPARATOR

FIG.50



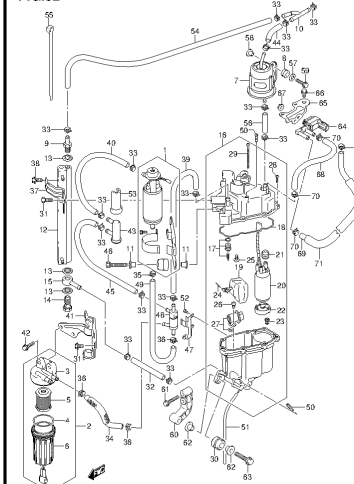
DF250_E91_013_050
FUEL PUMP / FUEL VAPOR SEPARATOR

FIG.51



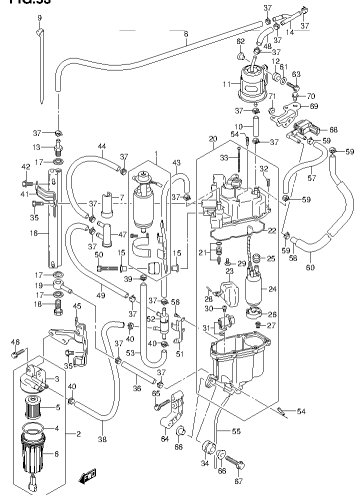
DF250_E91_013_051
FUEL PUMP / FUEL VAPOR SEPARATOR

FIG.52



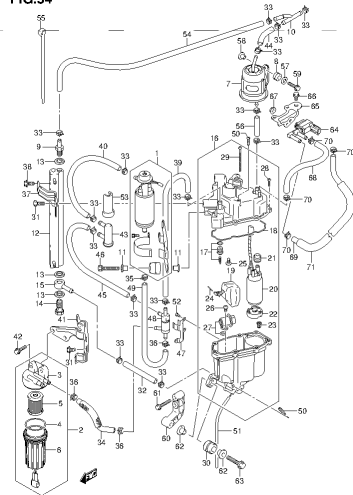
DF250_E91_013_052
FUEL PUMP / FUEL VAPOR SEPARATOR

FIG.53



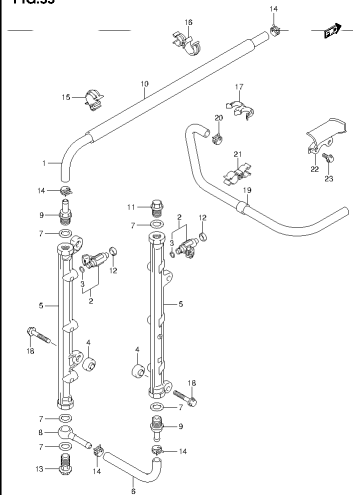
DF250_E91_013_053
FUEL PUMP / FUEL VAPOR SEPARATOR

FIG.54



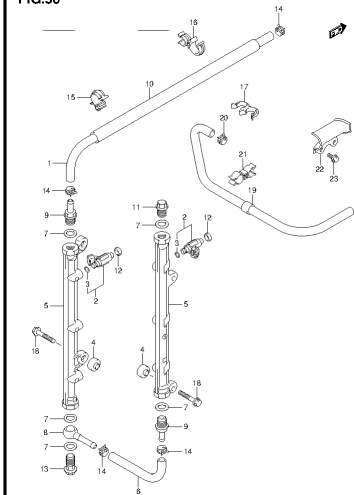
DF250_E91_013_054
FUEL PUMP / FUEL VAPOR SEPARATOR

FIG.55



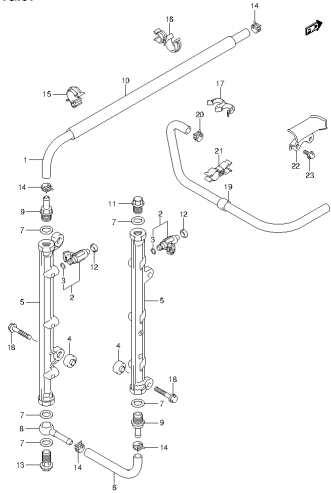
DF250_E91_013_055
FUEL INJECTOR

FIG.56



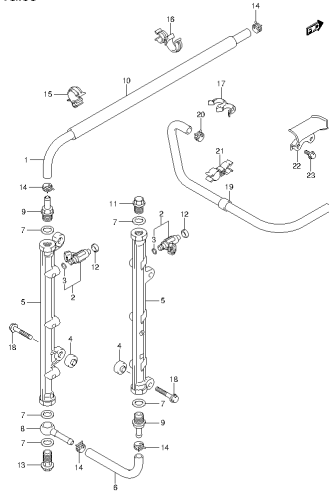
DF250_E91_013_056
FUEL INJECTOR

FIG.57



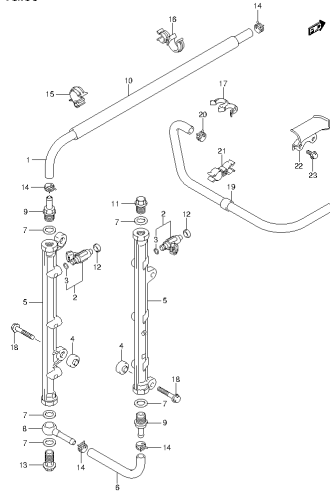
DF250_E91_013_057
FUEL INJECTOR

FIG.58



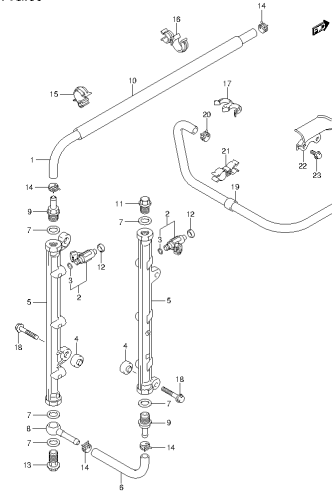
DF250_E91_013_058
FUEL INJECTOR

FIG.59



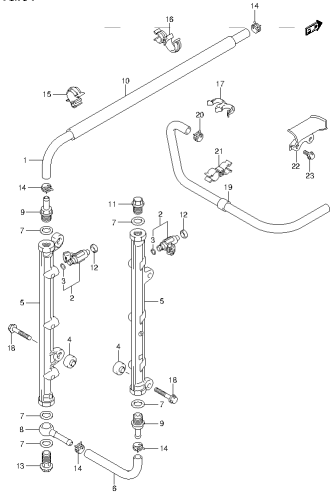
DF250_E91_013_059
FUEL INJECTOR

FIG.60



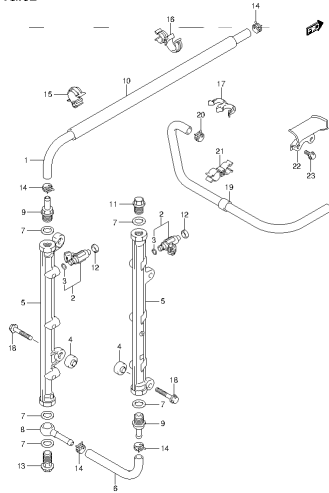
DF250_E91_013_060
FUEL INJECTOR

FIG.61



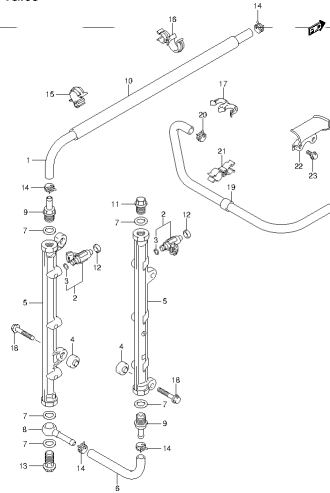
DF250_E91_013_061
FUEL INJECTOR

FIG.62



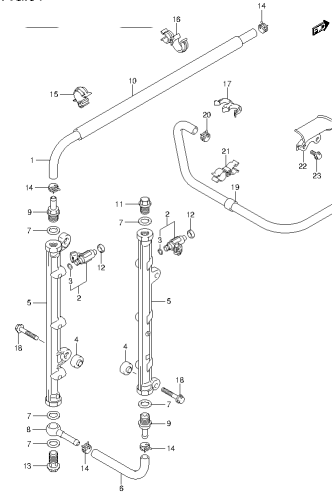
DF250_E91_013_062
FUEL INJECTOR

FIG.63



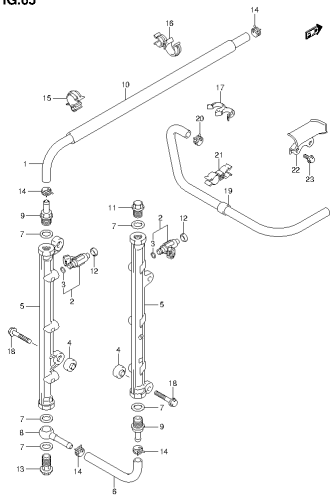
DF250_E91_013_063
FUEL INJECTOR

FIG.64



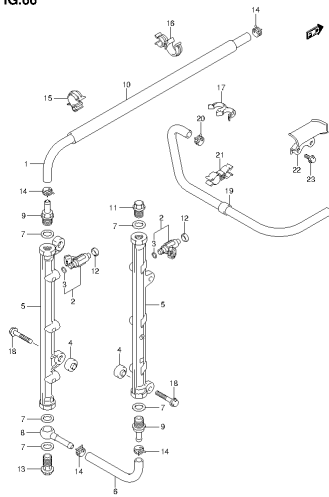
DF250_E91_013_064
FUEL INJECTOR

FIG.65



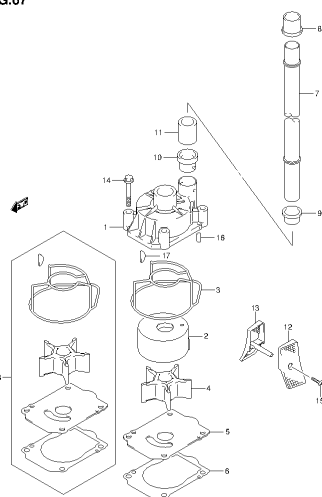
DF250_E91_013_085
FUEL INJECTOR

FIG.66



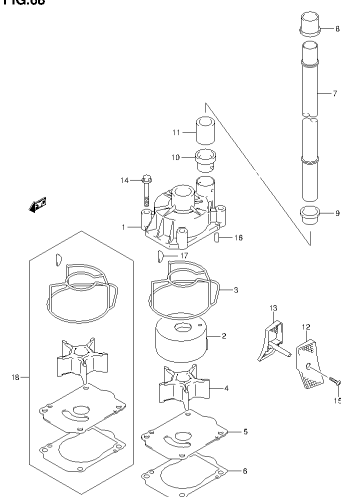
DF250_E91_013_086
FUEL INJECTOR

FIG.67



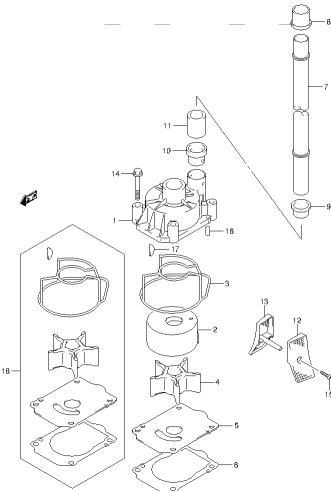
DF250_E91_013_067
WATER PUMP

FIG.68



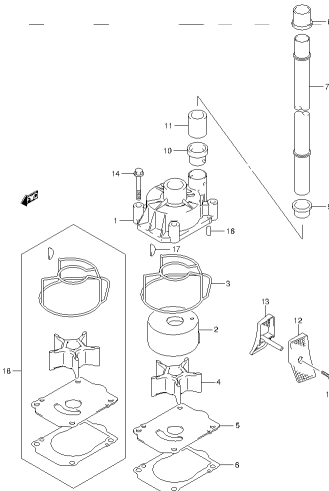
DF250_E91_013_088
WATER PUMP

FIG.69



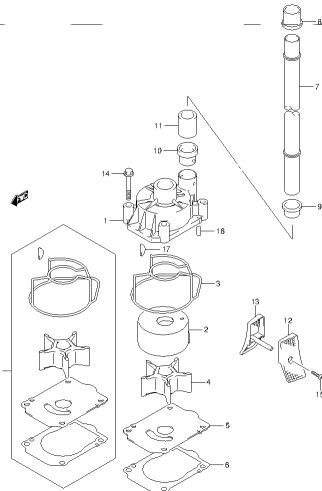
DF250_E91_013_089
WATER PUMP

FIG.70



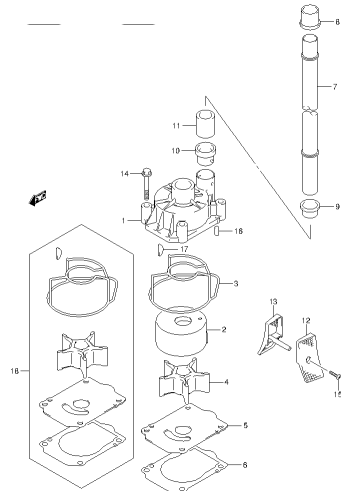
DF250_E91_013_070
WATER PUMP

FIG.71



DF250_E91_013_071
WATER PUMP

FIG.72



DF250_E91_013_072
WATER PUMP

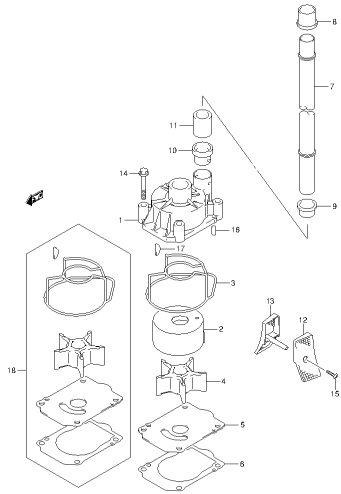
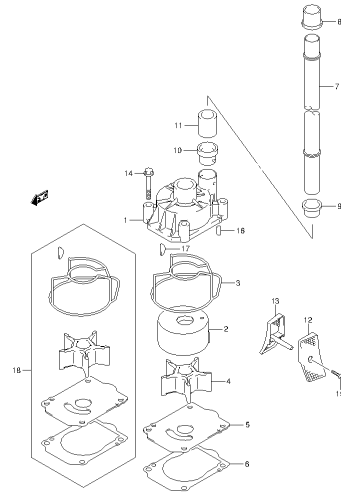
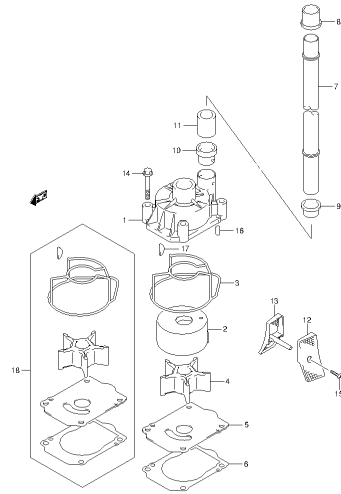
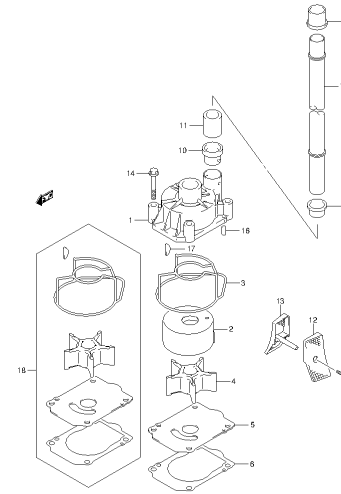
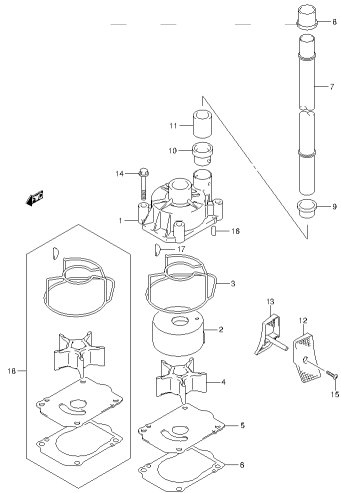
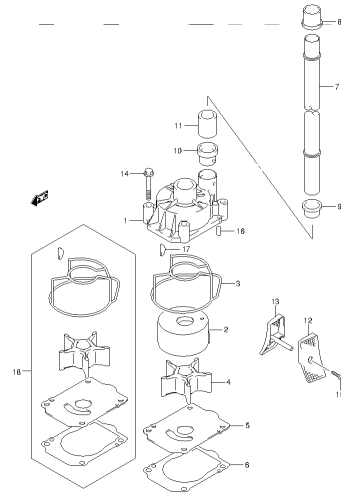
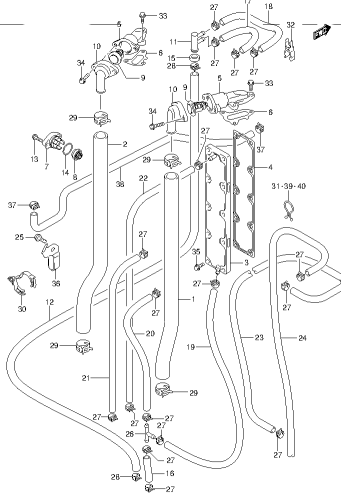
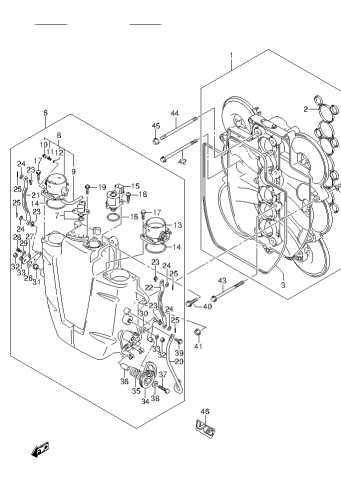
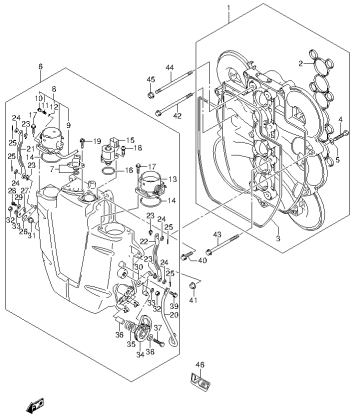
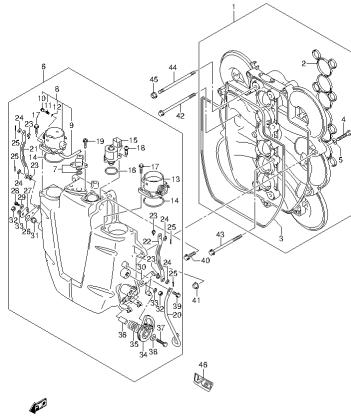
FIG.73DF250_E91_013_073
WATER PUMP**FIG.74**DF250_E91_013_074
WATER PUMP**FIG.75**DF250_E91_013_075
WATER PUMP**FIG.76**DF250_E91_013_076
WATER PUMP**FIG.77**DF250_E91_013_077
WATER PUMP**FIG.78**DF250_E91_013_078
WATER PUMP**FIG.79**DF250_E91_013_079
THERMOSTAT**FIG.80**DF250_E91_013_080
THROTTLE BODY

FIG.81



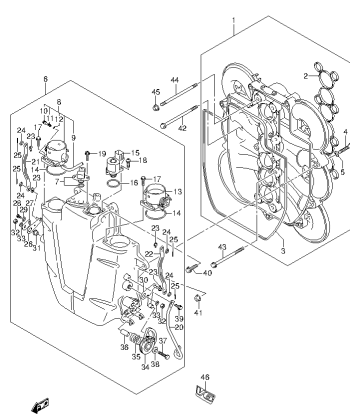
DF250_E01_013_081
THROTTLE BODY

FIG.82



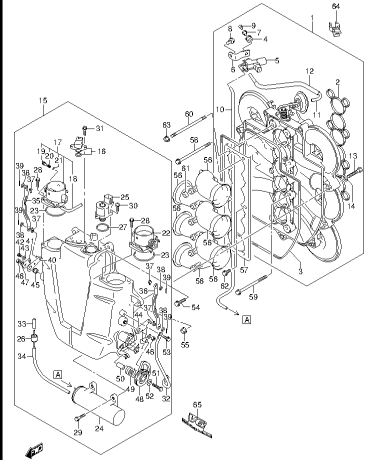
DF250_E01_013_082
THROTTLE BODY

FIG.83



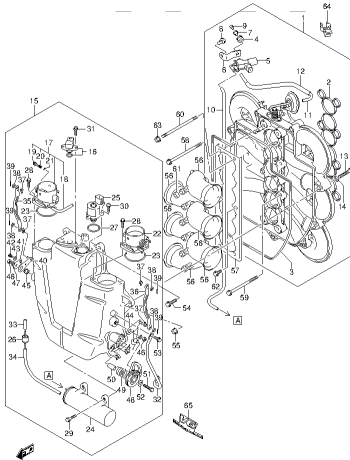
DF250_E01_013_083
THROTTLE BODY

FIG.84



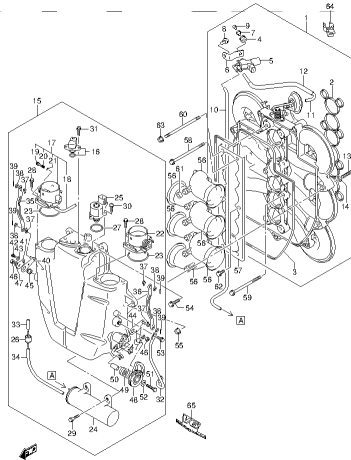
DF250_E01_013_084
THROTTLE BODY

FIG.85



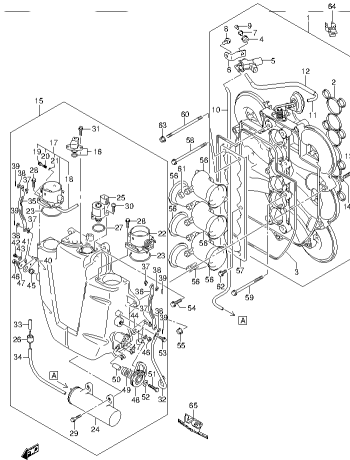
DF250_E01_013_085
THROTTLE BODY

FIG.86



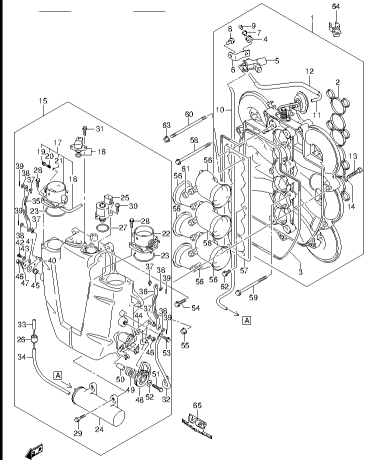
DF250_E01_013_086
THROTTLE BODY

FIG.87



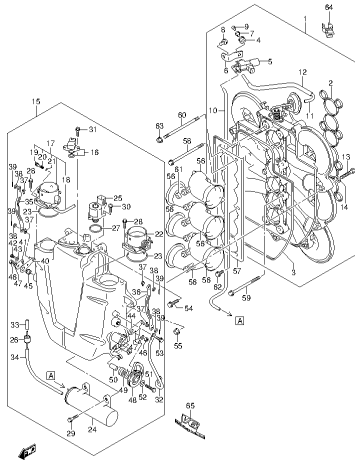
DF250_E01_013_087
THROTTLE BODY

FIG.88



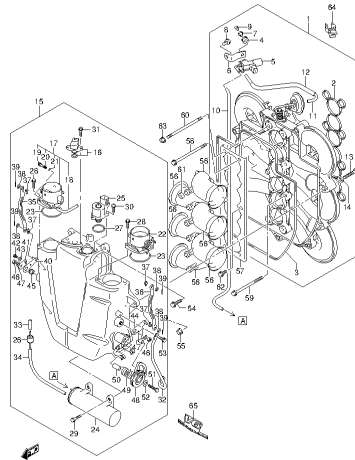
DF250_E01_013_088
THROTTLE BODY

FIG.89



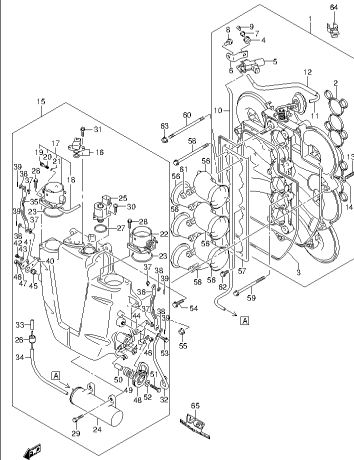
DF250_E91_013_089
THROTTLE BODY

FIG.90



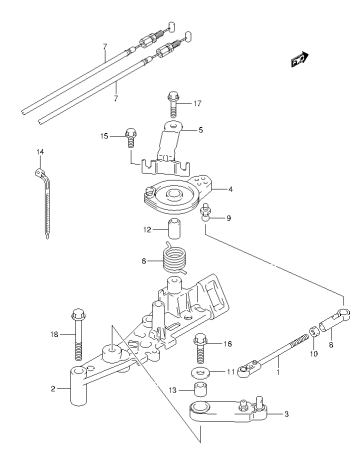
DF250_E91_013_090
THROTTLE BODY

FIG.91



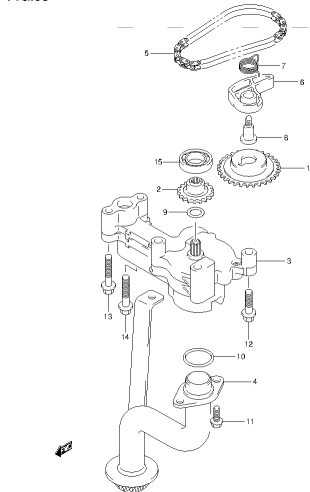
DF250_E91_013_091
THROTTLE BODY

FIG.92



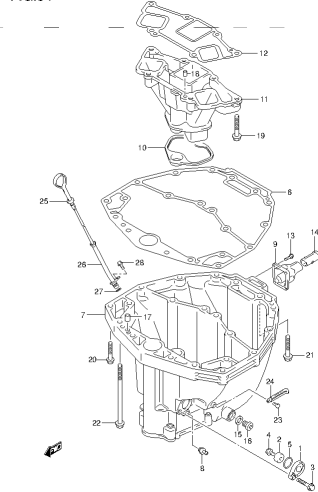
DF250_E91_013_092
THROTTLE BODY

FIG.93



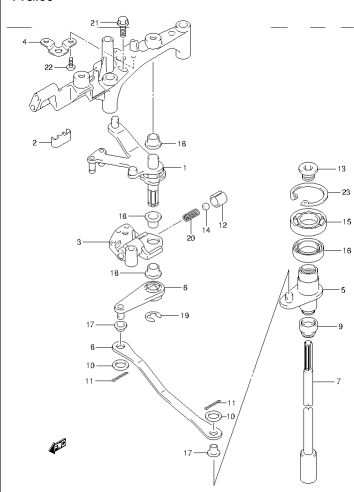
DF250_E91_013_093
OIL PUMP

FIG.94



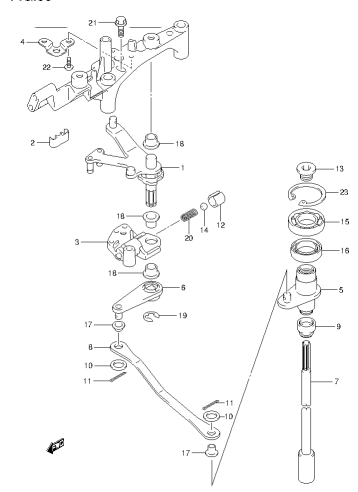
DF250_E91_013_094
OIL PAN

FIG.95



DF250_E91_013_095
CLUTCH SHAFT

FIG.96



DF250_E91_013_096
CLUTCH SHAFT

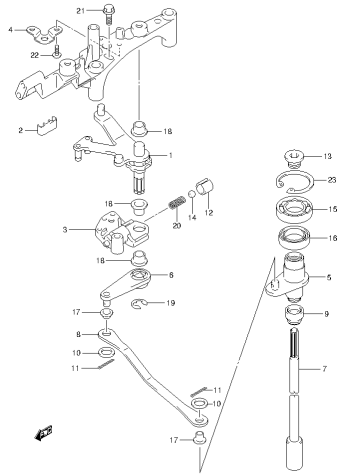
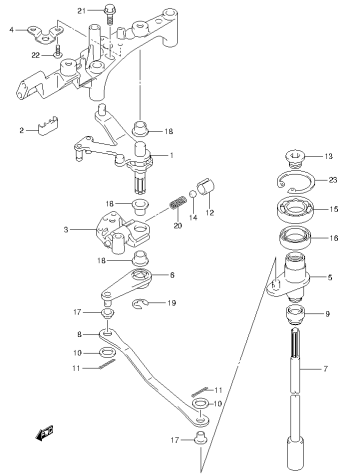
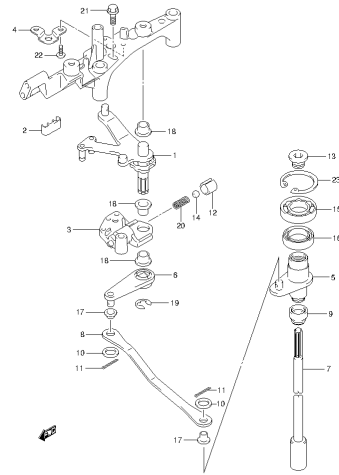
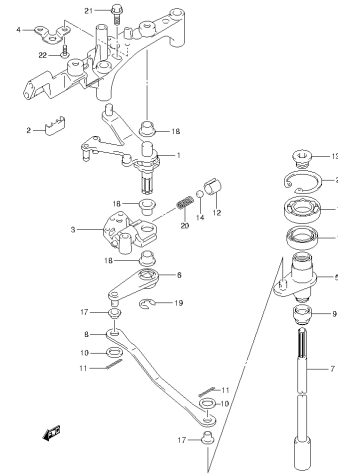
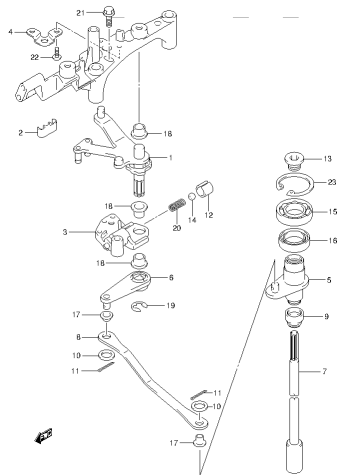
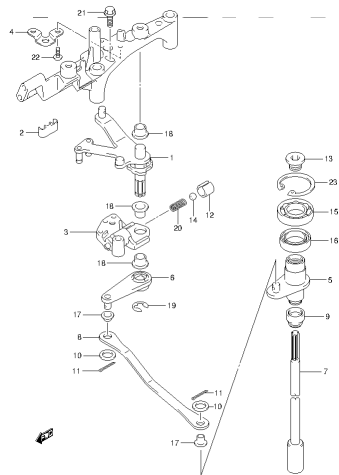
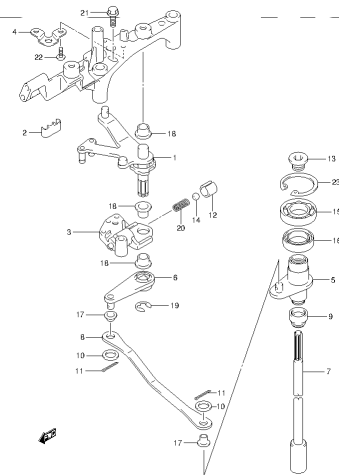
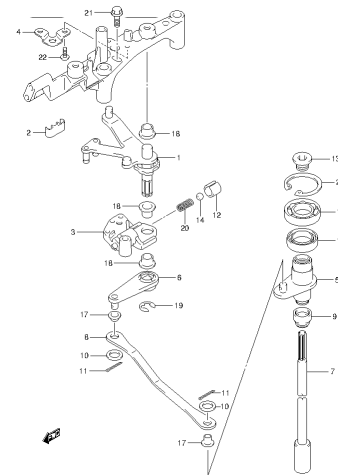
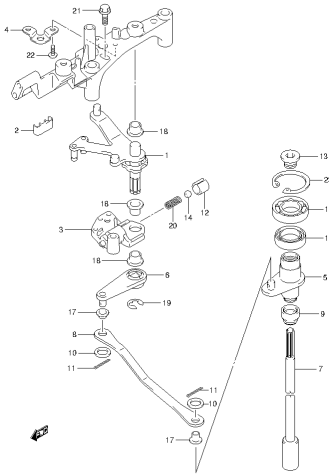
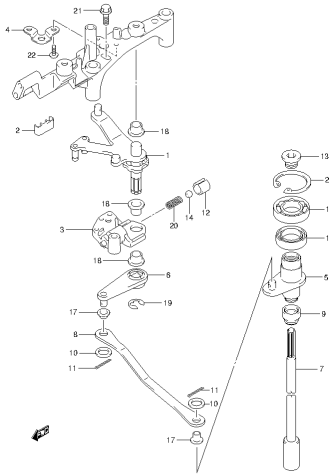
FIG.97DF250_E91_013_097
CLUTCH SHAFT**FIG.98**DF250_E91_013_098
CLUTCH SHAFT**FIG.99**DF250_E91_013_099
CLUTCH SHAFT**FIG.100**DF250_E91_013_100
CLUTCH SHAFT**FIG.101**DF250_E91_013_101
CLUTCH SHAFT**FIG.102**DF250_E91_013_102
CLUTCH SHAFT**FIG.103**DF250_E91_013_103
CLUTCH SHAFT**FIG.104**DF250_E91_013_104
CLUTCH SHAFT

FIG.105



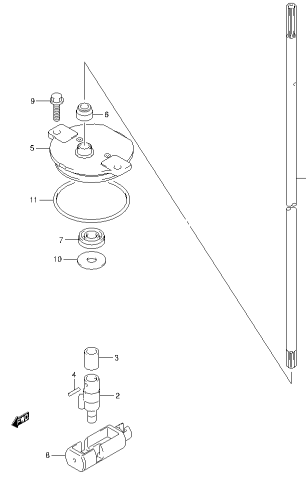
DF250_E91_043_105
CLUTCH SHAFT

FIG.106



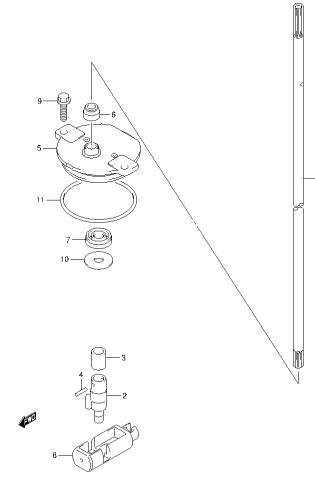
DF250_E91_043_106
CLUTCH SHAFT

FIG.107



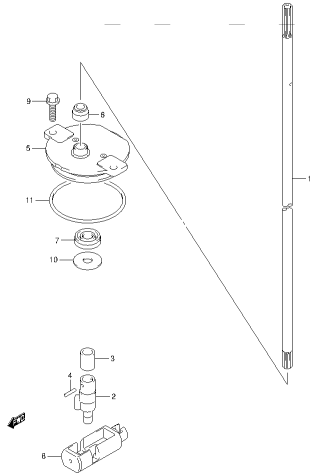
DF250_E91_043_107
CLUTCH RC0

FIG.108



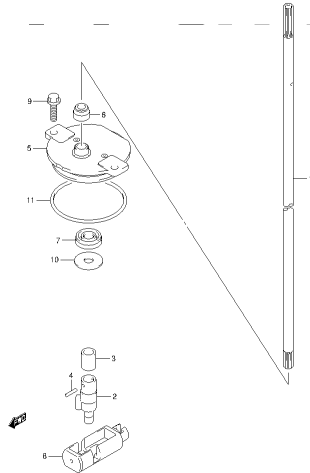
DF250_E91_043_108
CLUTCH RC0

FIG.109



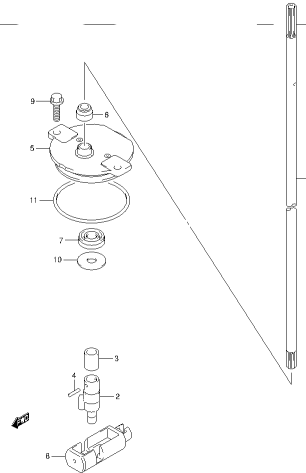
DF250_E91_043_109
CLUTCH RC0

FIG.110



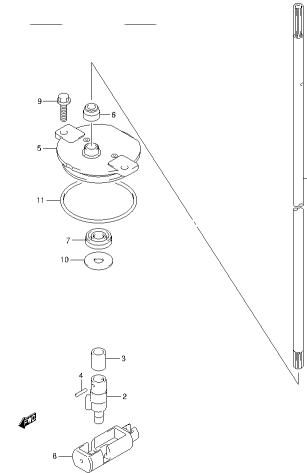
DF250_E91_043_110
CLUTCH RC0

FIG.111



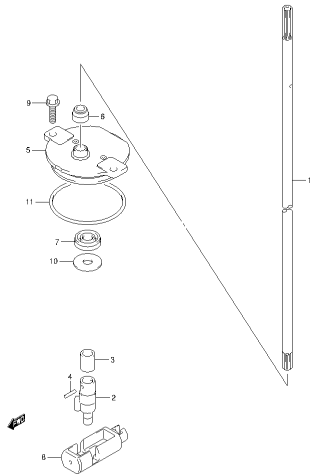
DF250_E91_043_111
CLUTCH RC0

FIG.112



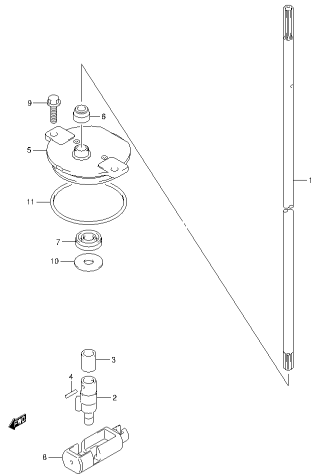
DF250_E91_043_112
CLUTCH RC0

FIG.113



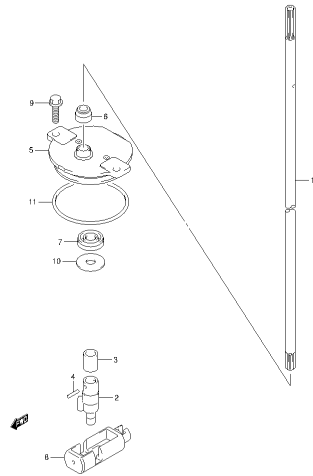
DF250_E91_013_113
CLUTCH FORK

FIG.114



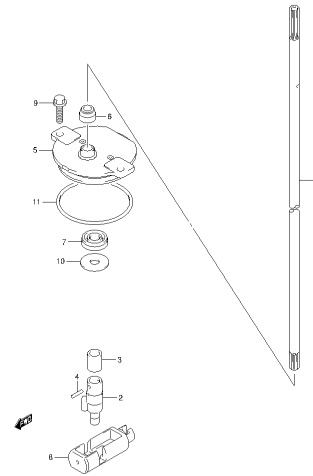
DF250_E91_013_114
CLUTCH FORK

FIG.115



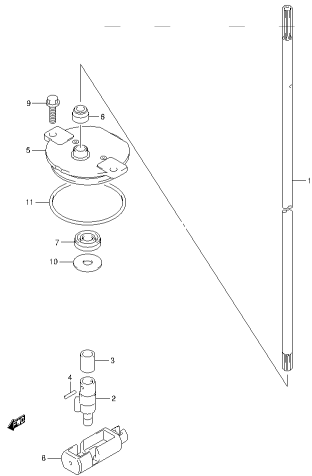
DF250_E91_013_115
CLUTCH FORK

FIG.116



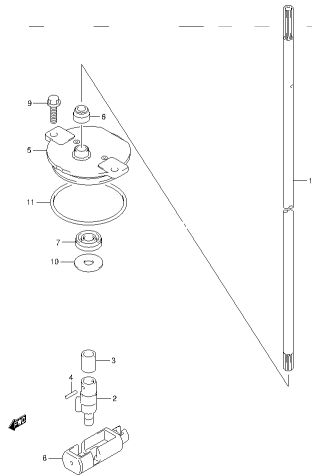
DF250_E91_013_116
CLUTCH FORK

FIG.117



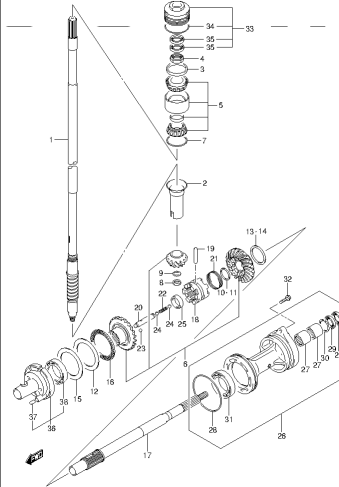
DF250_E91_013_117
CLUTCH FORK

FIG.118



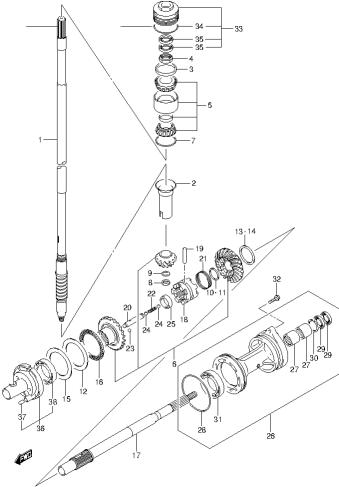
DF250_E91_013_118
CLUTCH FORK

FIG.119

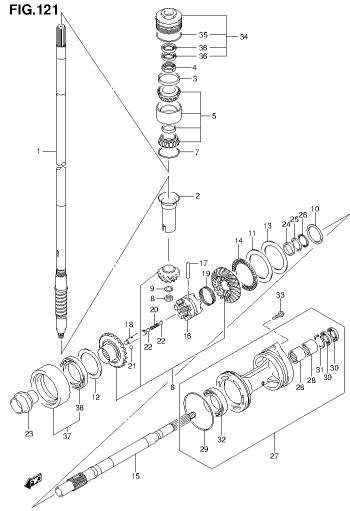


DF250_E91_013_119
TRANSMISSION

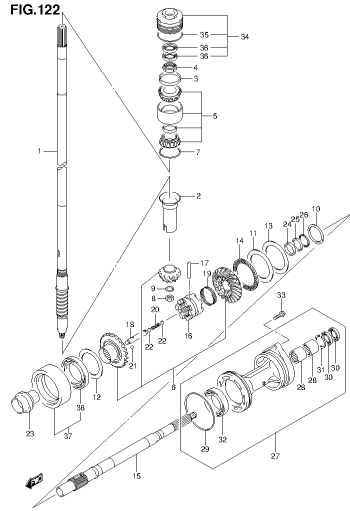
FIG.120



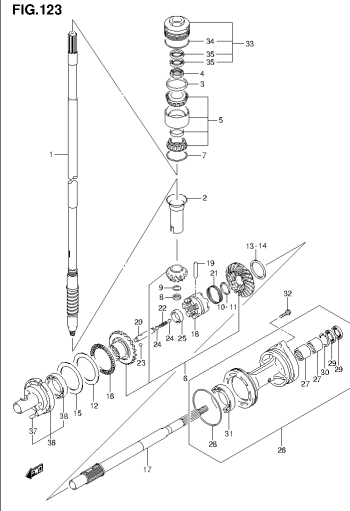
DF250_E91_013_120
TRANSMISSION



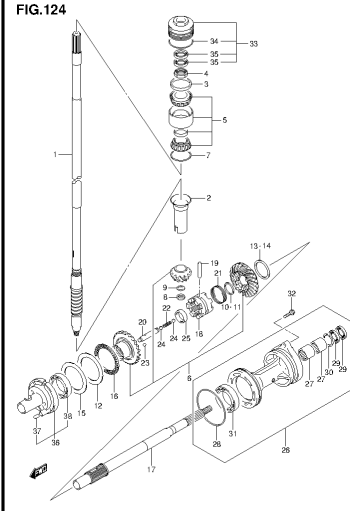
DF250_E91_013_121
TRANSMISSION



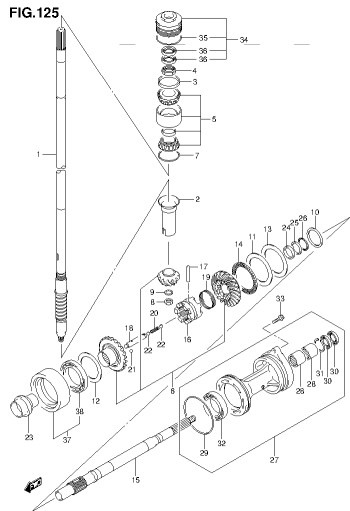
DF250_E91_013_122
TRANSMISSION



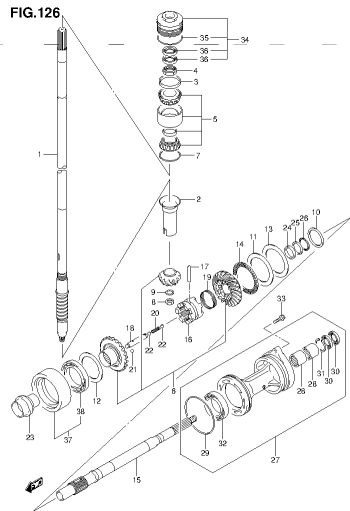
DF250_E91_013_123
TRANSMISSION



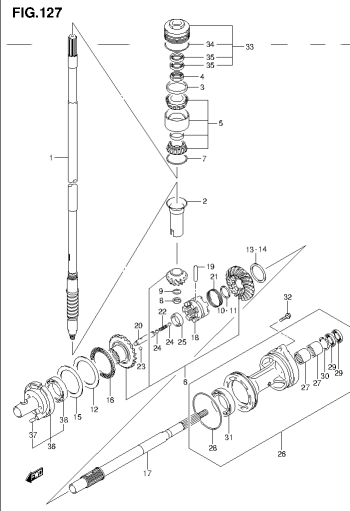
DF250_E91_013_124
TRANSMISSION



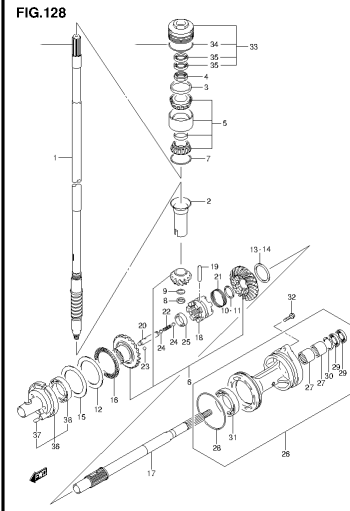
DF250_E91_013_125
TRANSMISSION



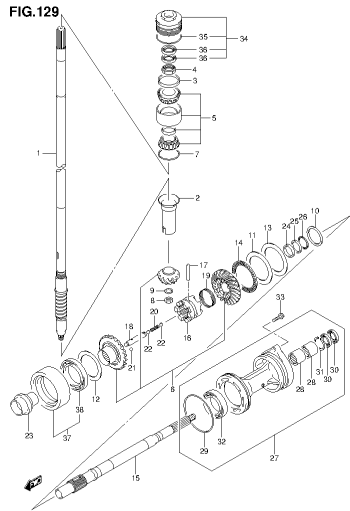
DF250_E91_013_126
TRANSMISSION



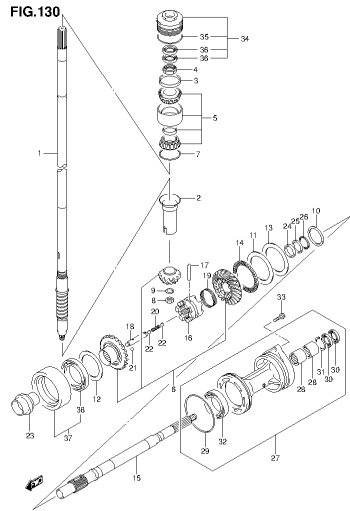
DF250_E91_013_127
TRANSMISSION



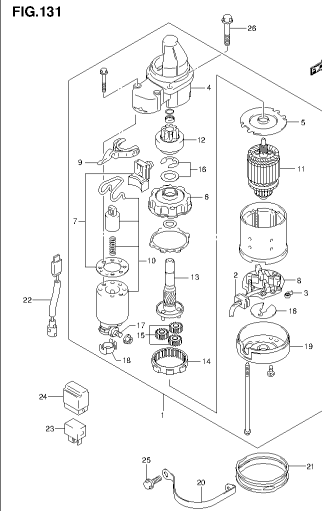
DF250_E91_013_128
TRANSMISSION



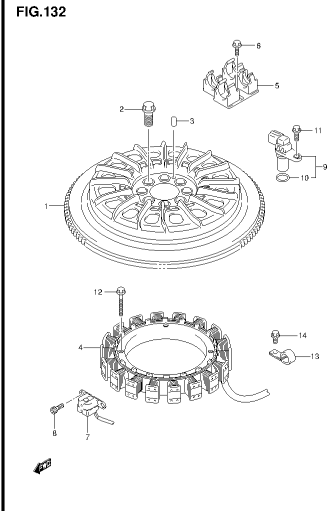
DF250_E91_013_129
TRANSMISSION



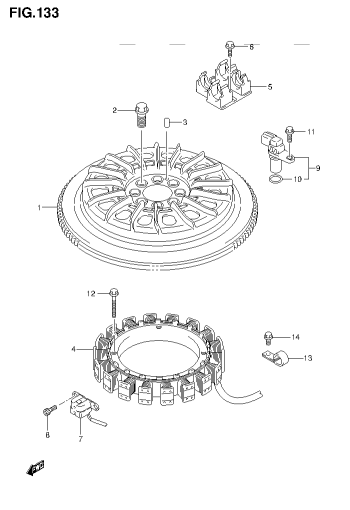
DF250_E91_013_130
STARTING MOTOR



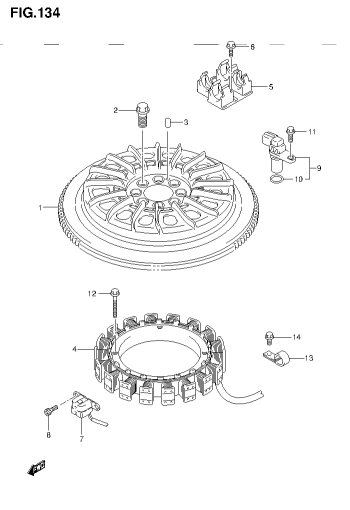
DF250_E91_013_131
STARTING MOTOR



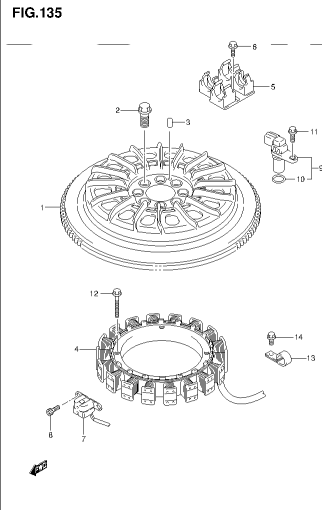
DF250_E91_013_132
MAGNETO



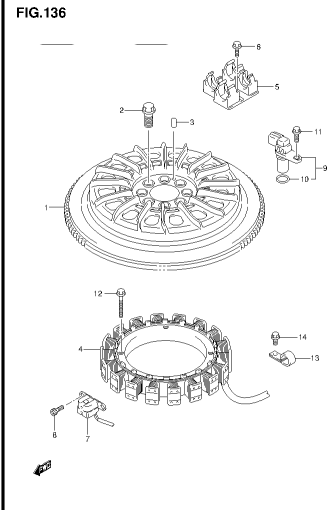
DF250_E91_013_133
MAGNETO



DF250_E91_013_134
MAGNETO

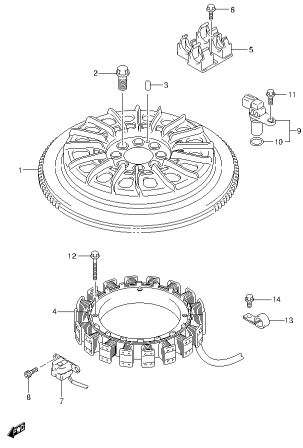


DF250_E91_013_135
MAGNETO



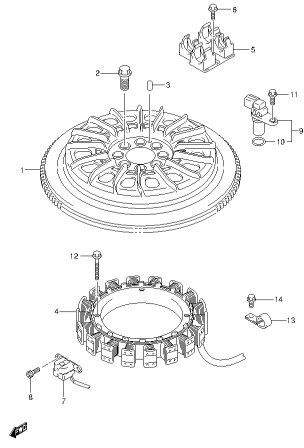
DF250_E91_013_136
MAGNETO

FIG.137



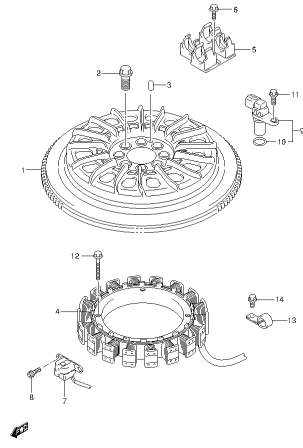
DF250_E91_013_137
MAGNETO

FIG.138



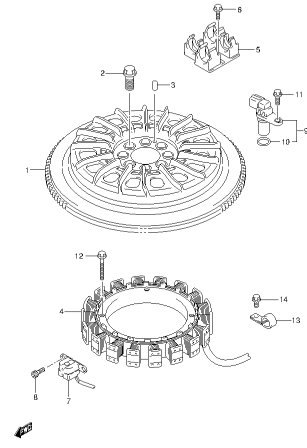
DF250_E91_013_138
MAGNETO

FIG.139



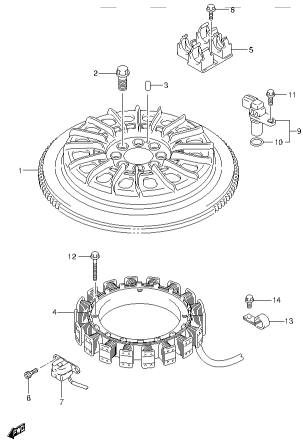
DF250_E91_013_139
MAGNETO

FIG.140



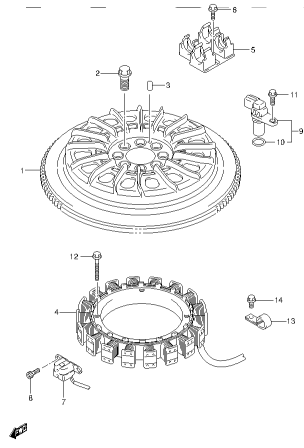
DF250_E91_013_140
MAGNETO

FIG.141



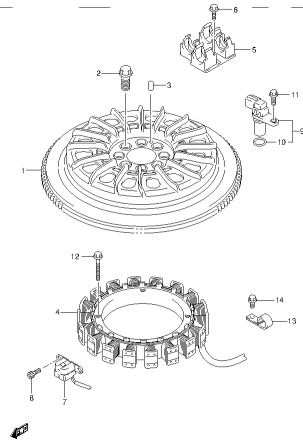
DF250_E91_013_141
MAGNETO

FIG.142



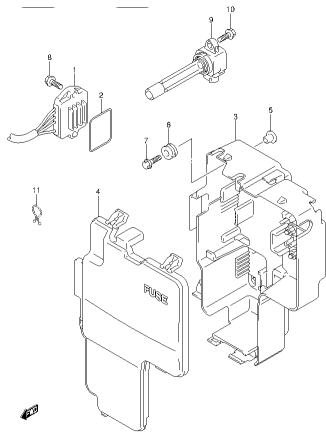
DF250_E91_013_142
MAGNETO

FIG.143



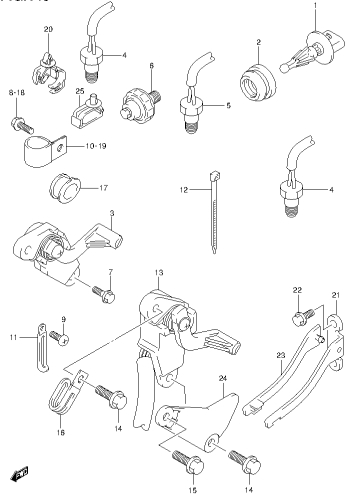
DF250_E91_013_143
MAGNETO

FIG.144



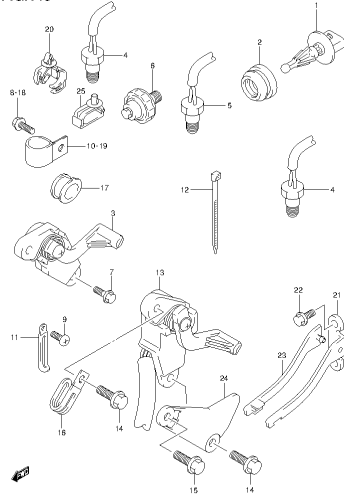
DF250_E91_013_144
RECTIFIER / IGNITION COIL

FIG.145



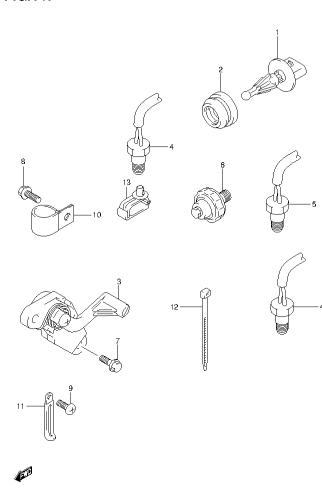
DF250_E91_013_145
SENSOR

FIG.146



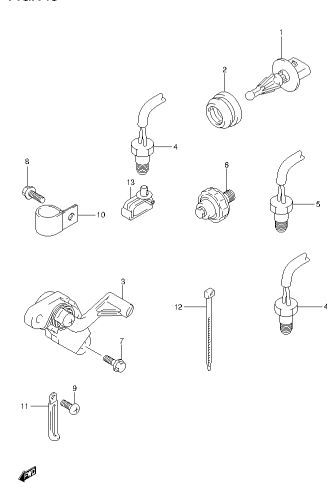
DF250_E91_013_146
SENSOR

FIG.147



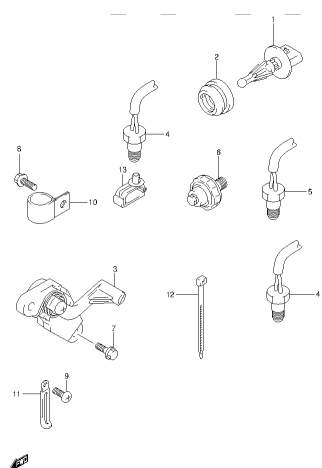
DF250_E91_013_147
SENSOR

FIG.148



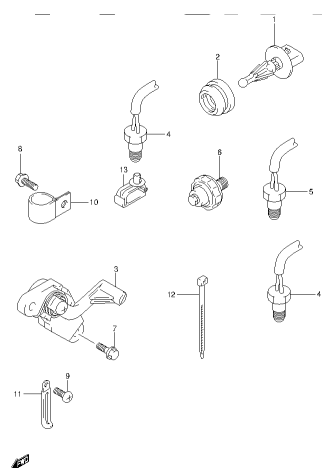
DF250_E91_013_148
SENSOR

FIG.149



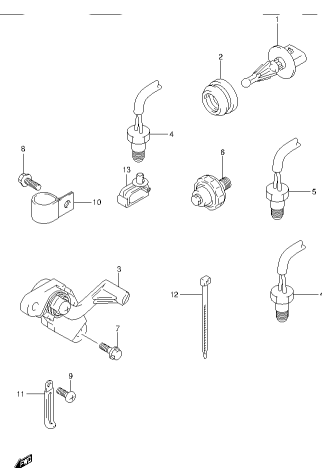
DF250_E91_013_149
SENSOR

FIG.150



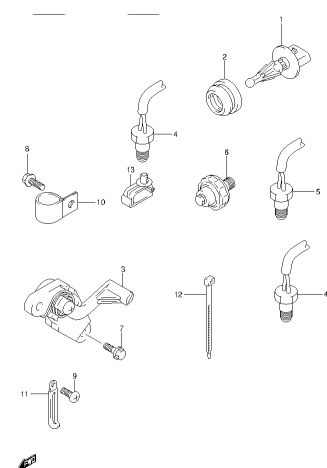
DF250_E91_013_150
SENSOR

FIG.151



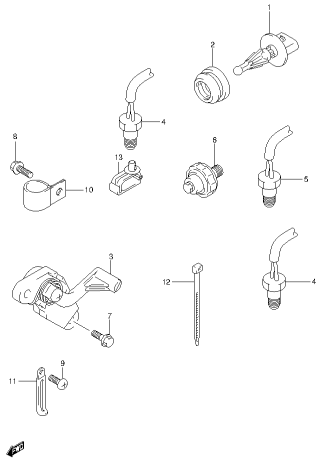
DF250_E91_013_151
SENSOR

FIG.152



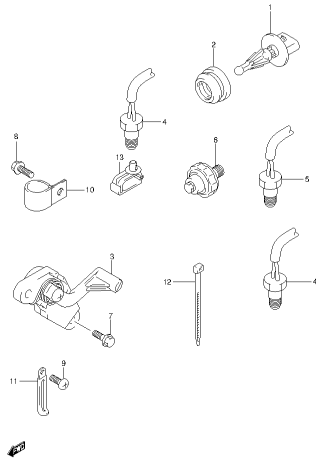
DF250_E91_013_152
SENSOR

FIG.153



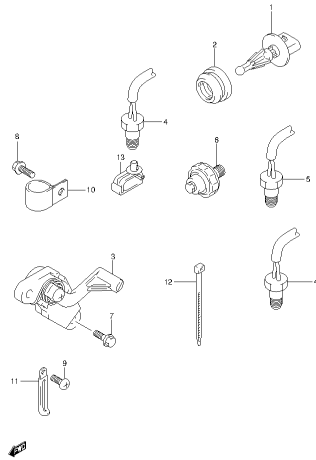
DF250_E01_013_153
SENSOR

FIG.154



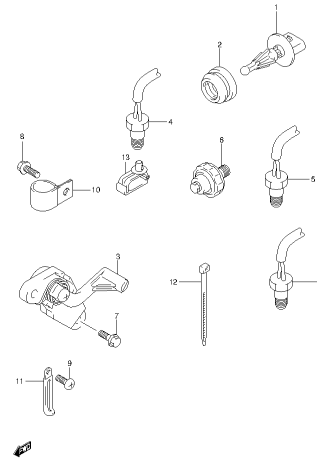
DF250_E01_013_154
SENSOR

FIG.155



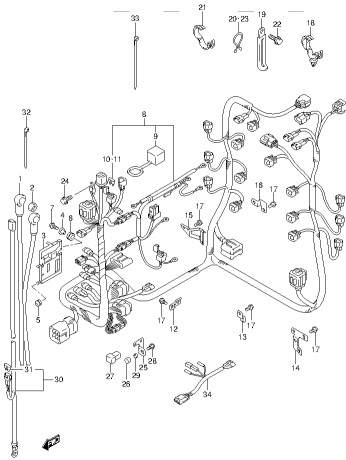
DF250_E01_013_155
SENSOR

FIG.156



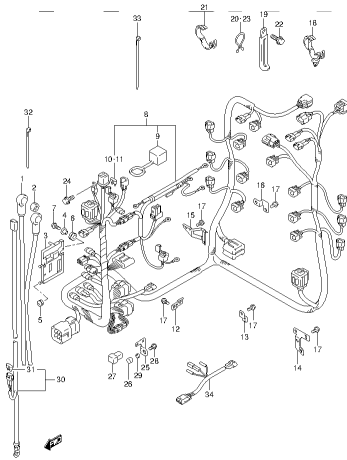
DF250_E01_013_156
SENSOR

FIG.157



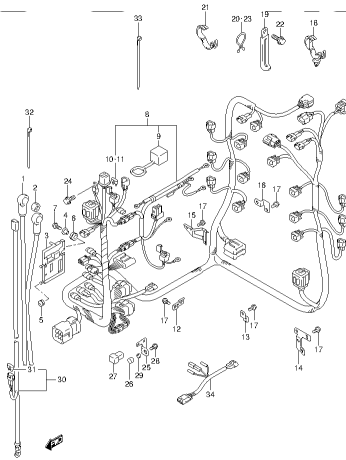
DF250_E01_013_157
HARNESS

FIG.158



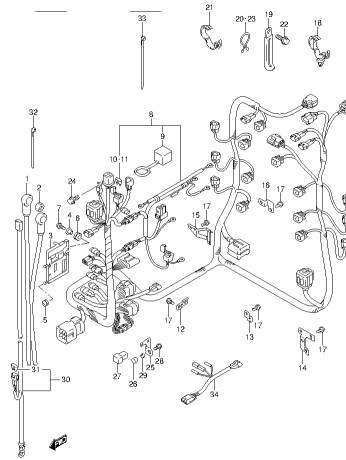
DF250_E01_013_158
HARNESS

FIG.159



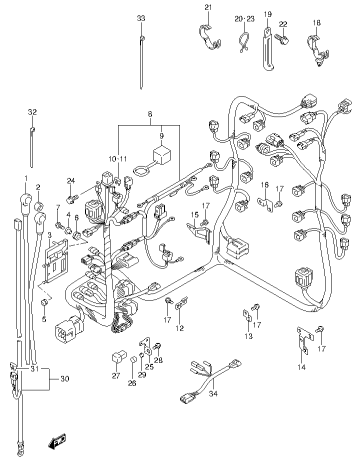
DF250_E01_013_159
HARNESS

FIG.160



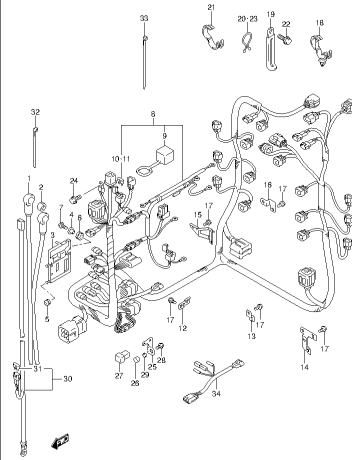
DF250_E01_013_160
HARNESS

FIG.161



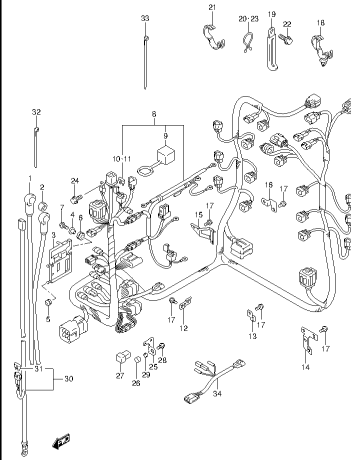
DF250_E91_013_181
HARNISS

FIG.162



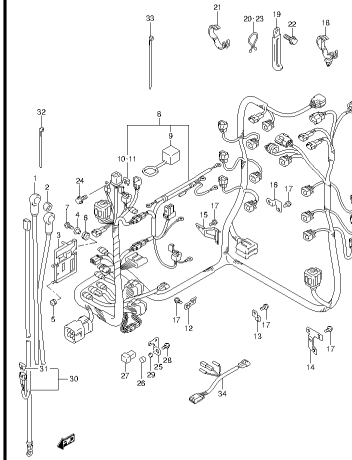
DF250_E91_013_182
HARNISS

FIG.163



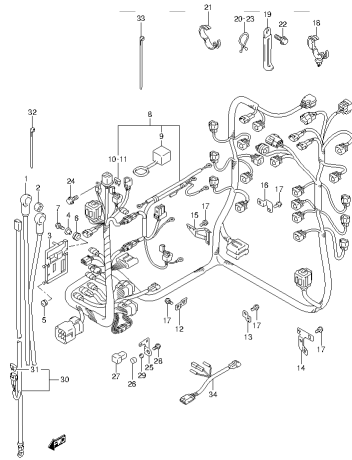
DF250_E91_013_183
HARNISS

FIG.164



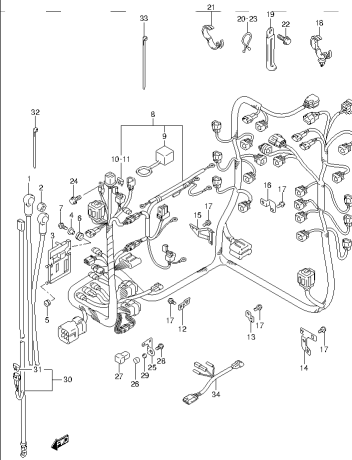
DF250_E91_013_184
HARNISS

FIG.165



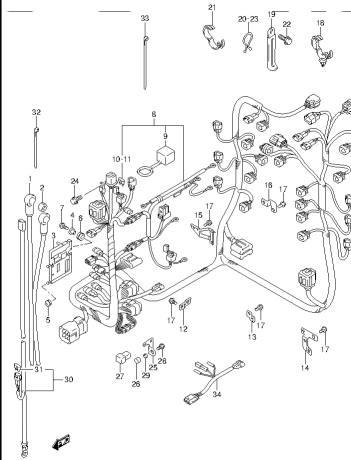
DF250_E91_013_185
HARNISS

FIG.166



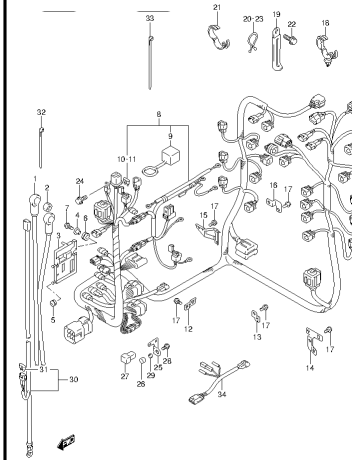
DF250_E91_013_186
HARNISS

FIG.167



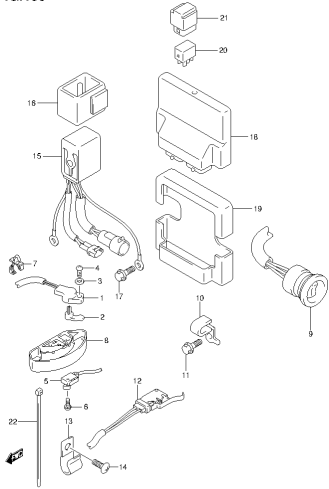
DF250_E91_013_187
HARNISS

FIG.168



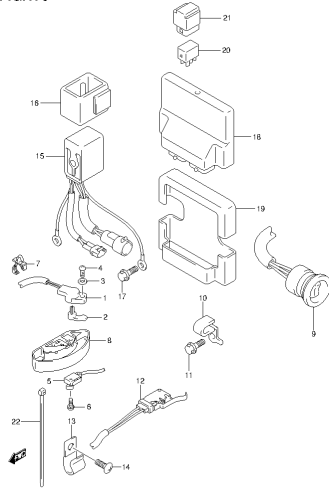
DF250_E91_013_188
HARNISS

FIG.169



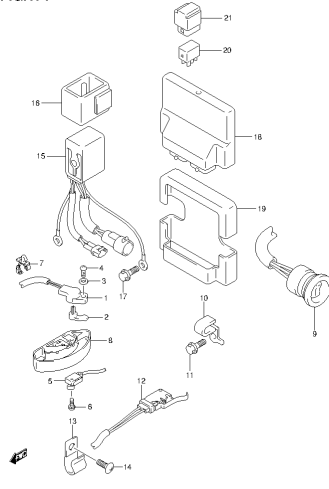
DF250_E91_013_169
PTT SWITCH/ENGINE CONTROL UNIT

FIG.170



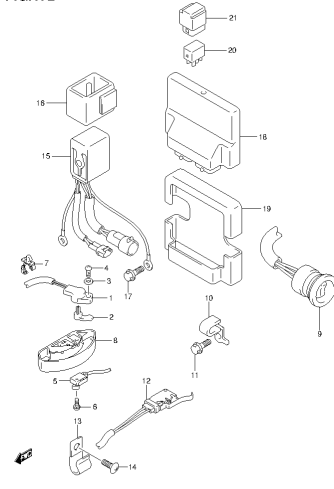
DF250_E91_013_170
PTT SWITCH/ENGINE CONTROL UNIT

FIG.171



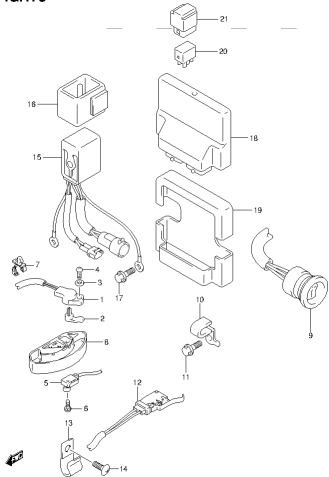
DF250_E91_013_171
PTT SWITCH/ENGINE CONTROL UNIT

FIG.172



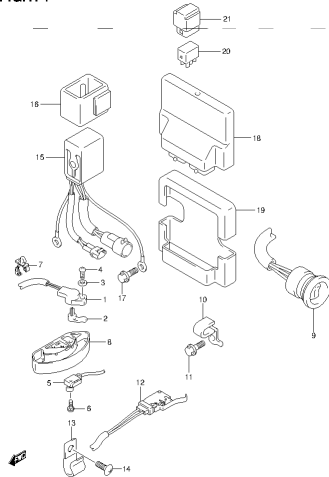
DF250_E91_013_172
PTT SWITCH/ENGINE CONTROL UNIT

FIG.173



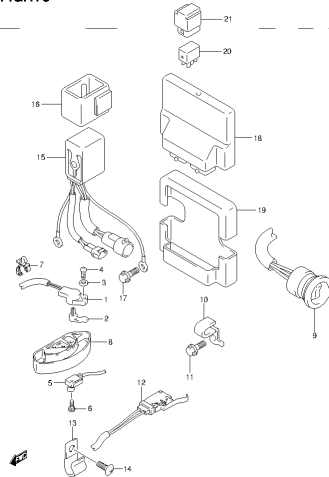
DF250_E91_013_173
PTT SWITCH/ENGINE CONTROL UNIT

FIG.174



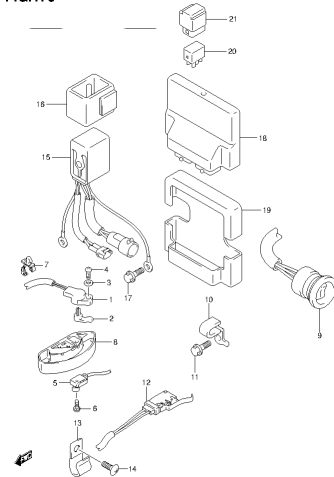
DF250_E91_013_174
PTT SWITCH/ENGINE CONTROL UNIT

FIG.175



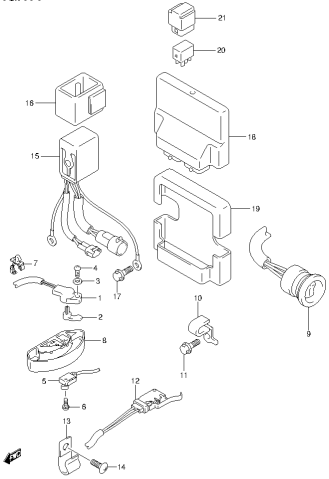
DF250_E91_013_175
PTT SWITCH/ENGINE CONTROL UNIT

FIG.176



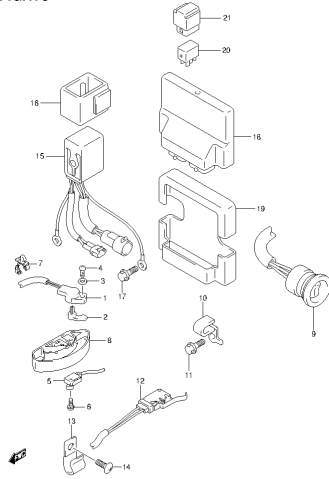
DF250_E91_013_176
PTT SWITCH/ENGINE CONTROL UNIT

FIG.177



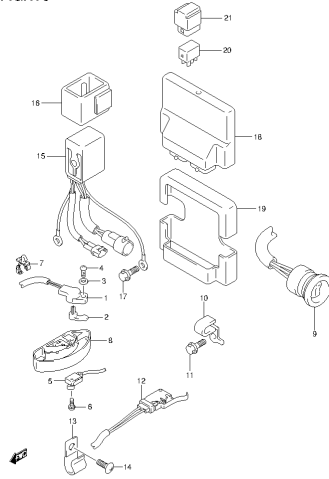
DF250_E91_013_177
PTT SWITCH/ENGINE CONTROL UNIT

FIG.178



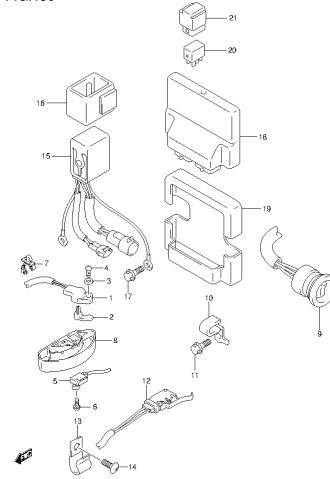
DF250_E91_013_178
PTT SWITCH/ENGINE CONTROL UNIT

FIG.179



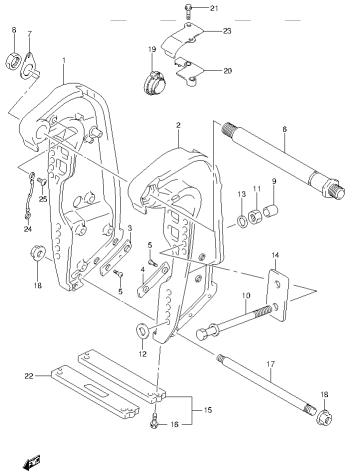
DF250_E91_013_179
PTT SWITCH/ENGINE CONTROL UNIT

FIG.180



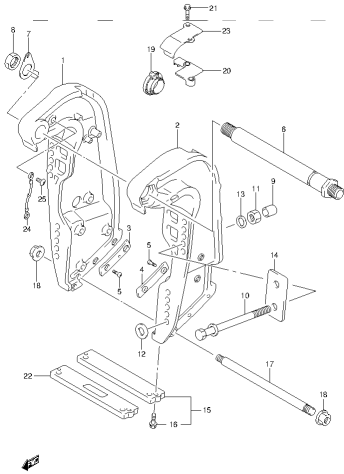
DF250_E91_013_180
PTT SWITCH/ENGINE CONTROL UNIT

FIG.181



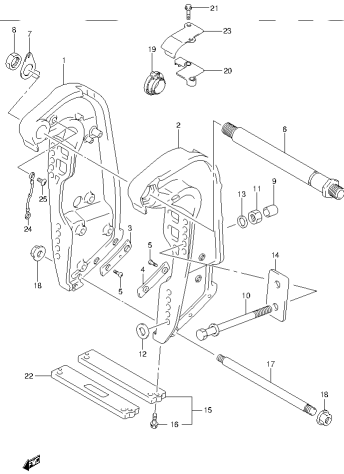
DF250_E91_013_181
CLAMP BRACKET TRANSOM(XXX)

FIG.182



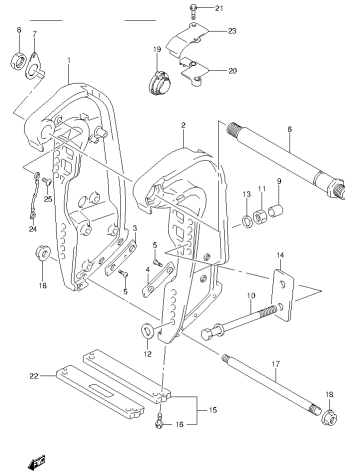
DF250_E91_013_182
CLAMP BRACKET TRANSOM(X)

FIG.183



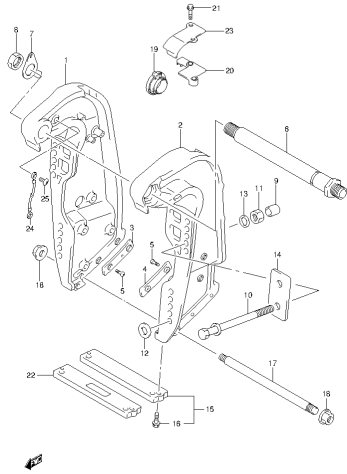
DF250_E91_013_183
CLAMP BRACKET TRANSOM(XXX)

FIG.184



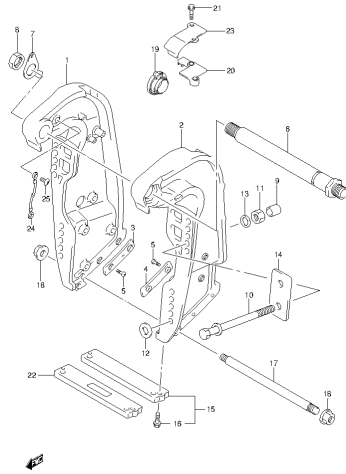
DF250_E91_013_184
CLAMP BRACKET TRANSOM(X)

FIG.185



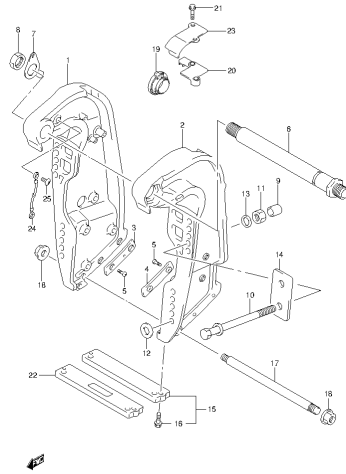
DF250_E91_013_185
CLAMP BRACKET (TRANSOMXXX)

FIG.186



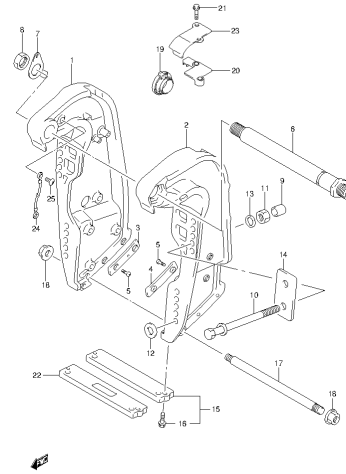
DF250_E91_013_186
CLAMP BRACKET (TRANSOMXXX)

FIG.187



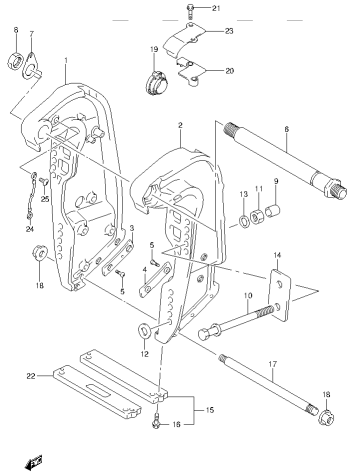
DF250_E91_013_187
CLAMP BRACKET (TRANSOMXXX)

FIG.188



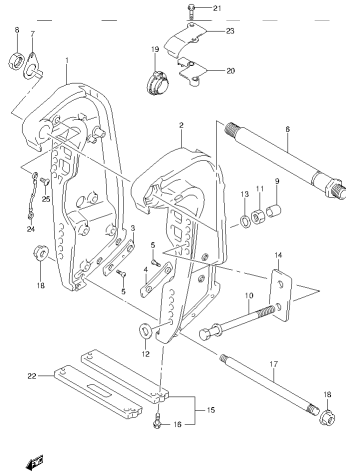
DF250_E91_013_188
CLAMP BRACKET (TRANSOMXXX)

FIG.189



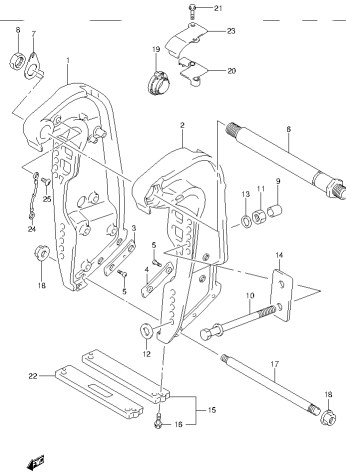
DF250_E91_013_189
CLAMP BRACKET (TRANSOMXXX)

FIG.190



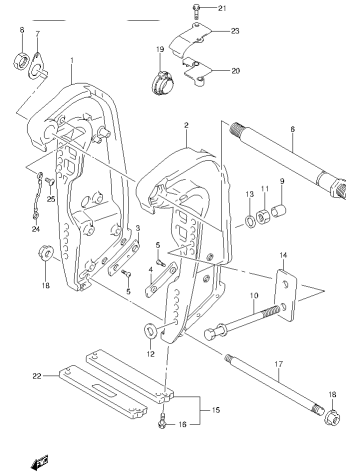
DF250_E91_013_190
CLAMP BRACKET (TRANSOMXXX)

FIG.191



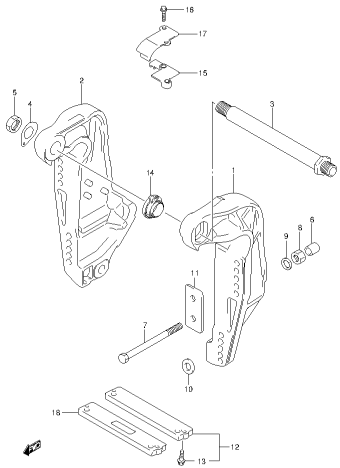
DF250_E91_013_191
CLAMP BRACKET (TRANSOMXXX)

FIG.192



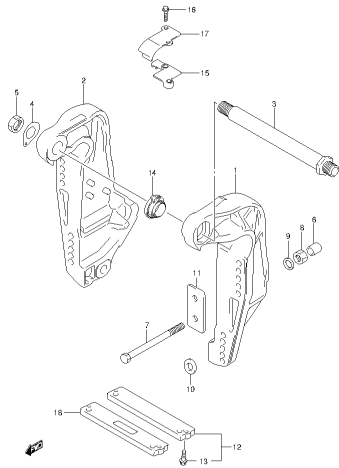
DF250_E91_013_192
CLAMP BRACKET (TRANSOMXXX)

FIG.193



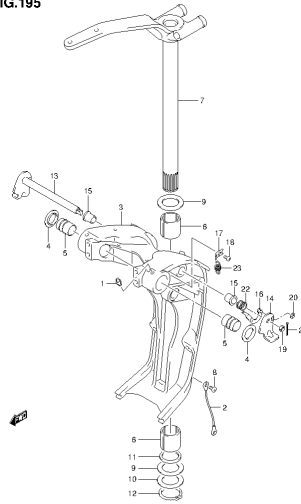
DF250_E91_013_199
CLAMP BRACKET (TRANSM(L))

FIG.194



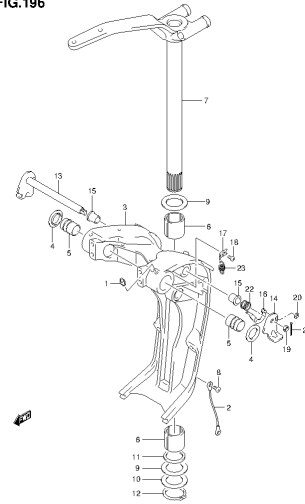
DF250_E91_013_194
CLAMP BRACKET (TRANSM(L))

FIG.195



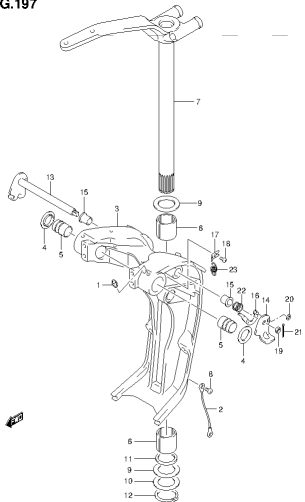
DF250_E91_013_195
SWIVEL BRACKET (TRANSM(XXX))

FIG.196



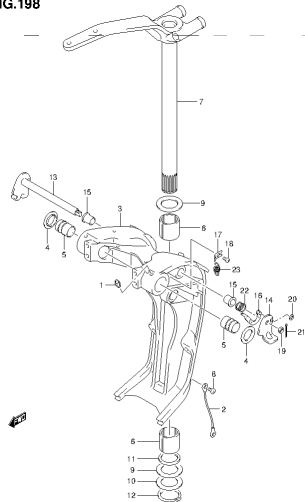
DF250_E91_013_196
SWIVEL BRACKET (TRANSM(XXX))

FIG.197



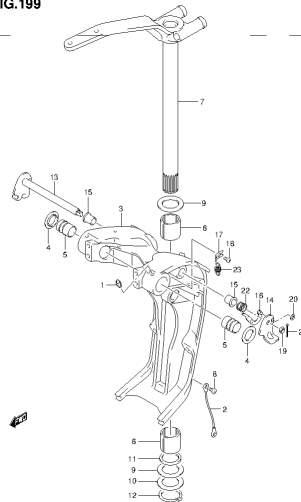
DF250_E91_013_197
SWIVEL BRACKET (TRANSM(XXX))

FIG.198



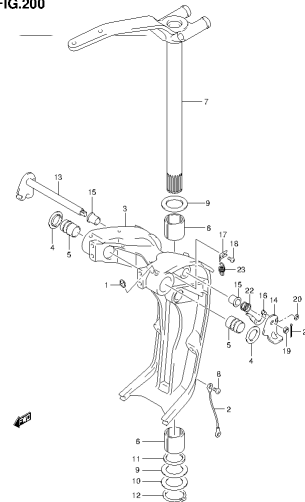
DF250_E91_013_198
SWIVEL BRACKET (TRANSM(XXX))

FIG.199



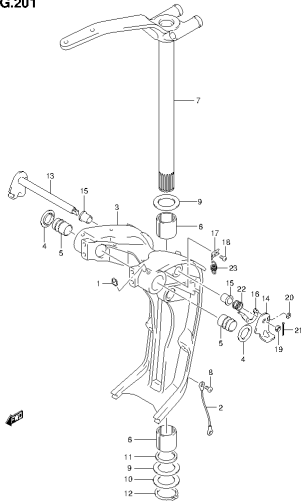
DF250_E91_013_199
SWIVEL BRACKET (TRANSM(XXX))

FIG.200



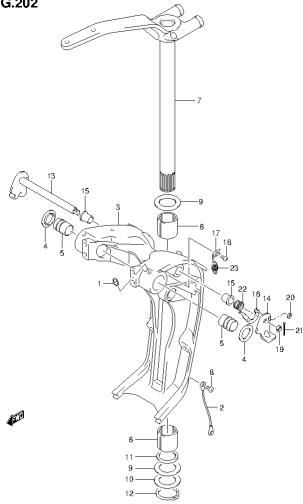
DF250_E91_013_200
SWIVEL BRACKET (TRANSM(XXX))

FIG.201



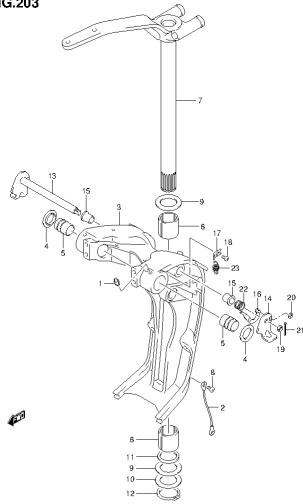
DF250_E91_013_201
SWIVEL BRACKET TRANSOM(XXX)

FIG.202



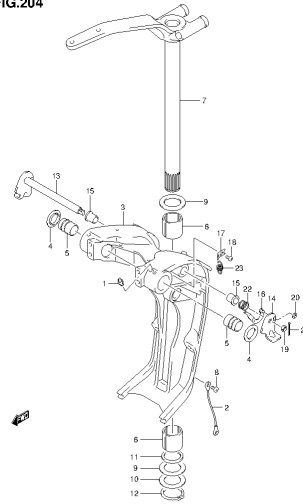
DF250_E91_013_202
SWIVEL BRACKET TRANSOM(XXX)

FIG.203



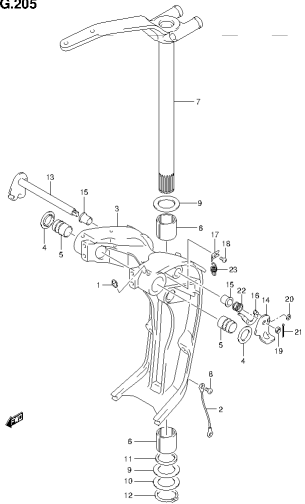
DF250_E91_013_203
SWIVEL BRACKET TRANSOM(XXX)

FIG.204



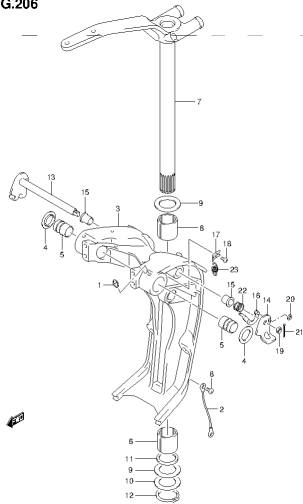
DF250_E91_013_204
SWIVEL BRACKET TRANSOM(XXX)

FIG.205



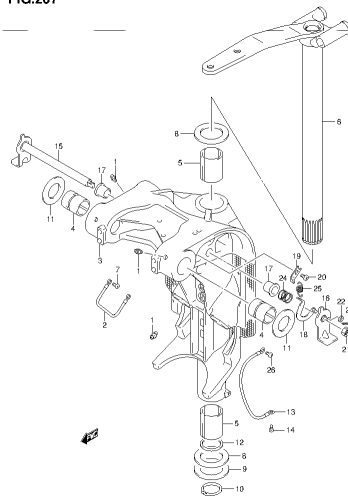
DF250_E91_013_205
SWIVEL BRACKET TRANSOM(XXX)

FIG.206



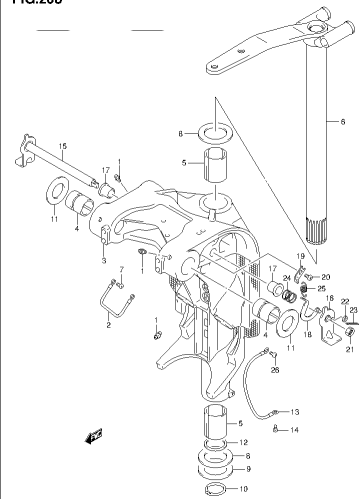
DF250_E91_013_206
SWIVEL BRACKET TRANSOM(XXX)

FIG.207



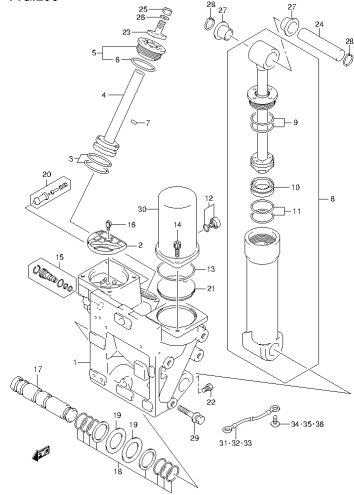
DF250_E91_013_207
SWIVEL BRACKET TRANSOM(L)

FIG.208



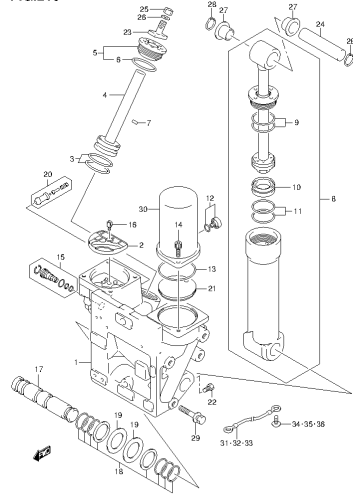
DF250_E91_013_208
SWIVEL BRACKET TRANSOM(L)

FIG.209



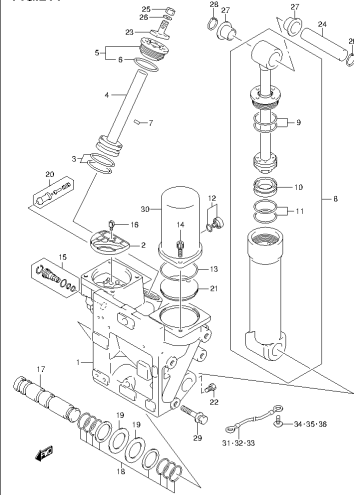
DF250_E91_013_209
TRIM CYLINDER (TRANSOMXX)

FIG.210



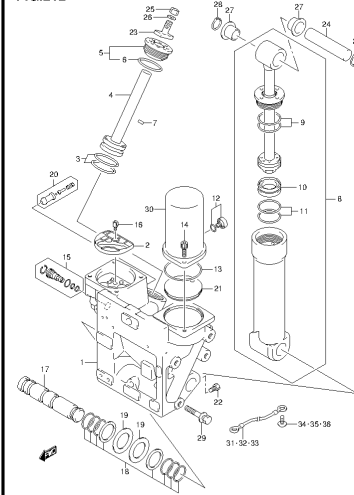
DF250_E91_013_210
TRIM CYLINDER (TRANSOMXX)

FIG.211



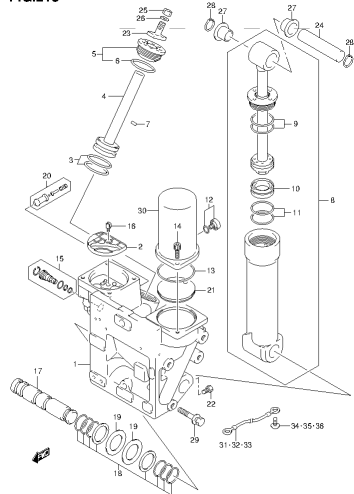
DF250_E91_013_211
TRIM CYLINDER (TRANSOMXX)

FIG.212



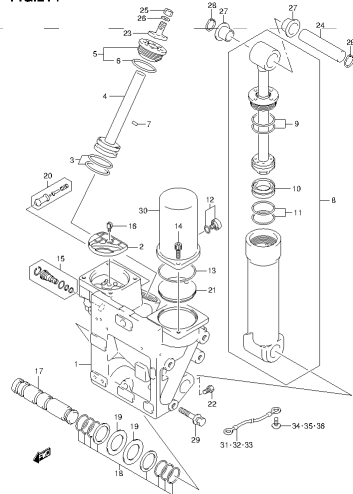
DF250_E91_013_212
TRIM CYLINDER (TRANSOMXX)

FIG.213



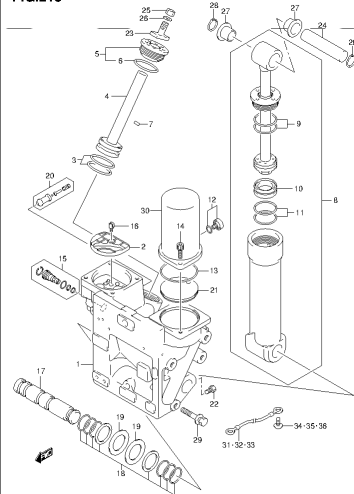
DF250_E91_013_213
TRIM CYLINDER (TRANSOMXX)

FIG.214



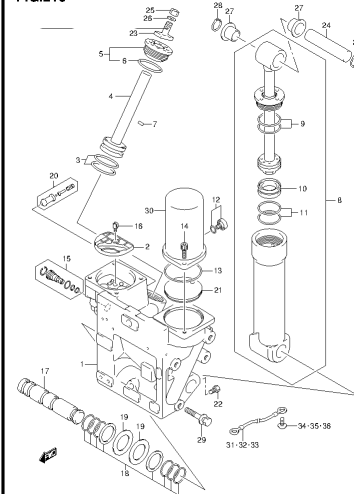
DF250_E91_013_214
TRIM CYLINDER (TRANSOMXX)

FIG.215



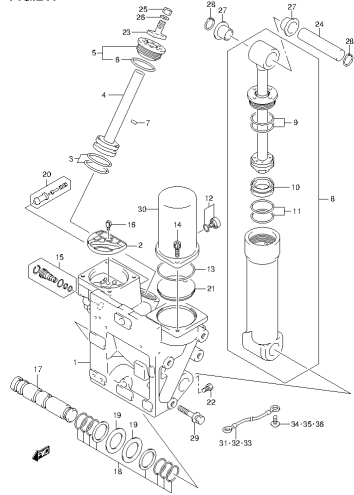
DF250_E91_013_215
TRIM CYLINDER (TRANSOMXX)

FIG.216



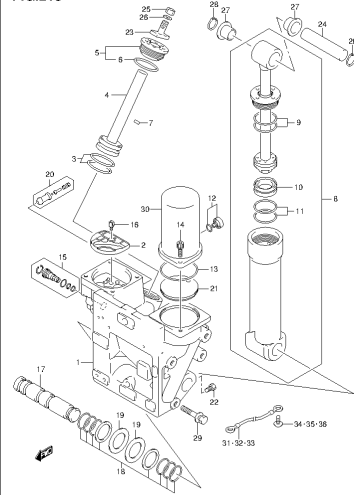
DF250_E91_013_216
TRIM CYLINDER (TRANSOMXX)

FIG.217



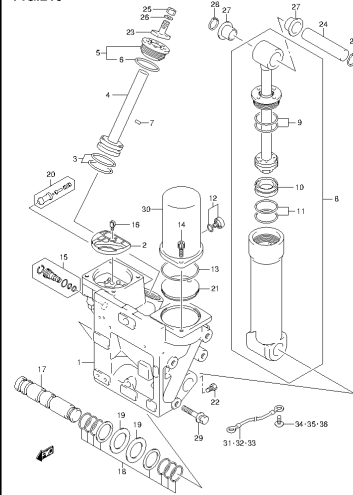
DF250_E91_013_217
TRIM CYLINDER TRANSOMXXX

FIG.218



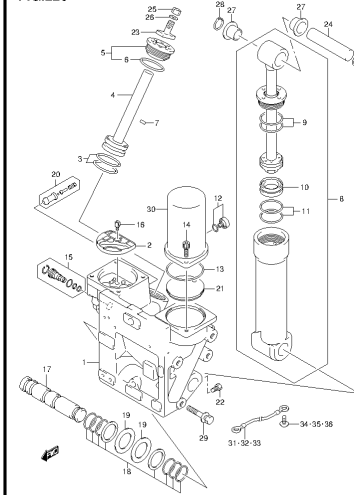
DF250_E91_013_218
TRIM CYLINDER TRANSOMXXX

FIG.219



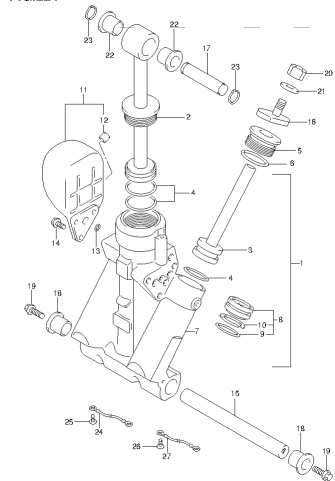
DF250_E91_013_219
TRIM CYLINDER TRANSOMXXX

FIG.220



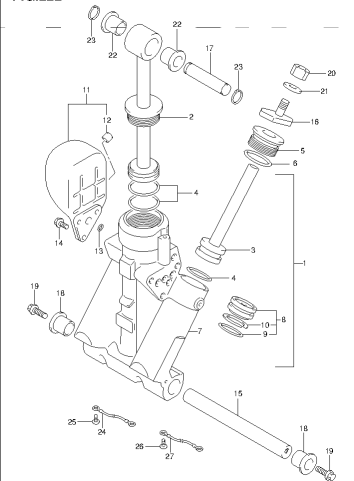
DF250_E91_013_220
TRIM CYLINDER TRANSOMXXX

FIG.221



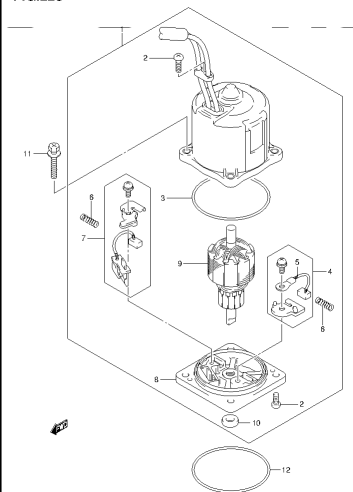
DF250_E91_013_221
TRIM CYLINDER TRANSOML

FIG.222



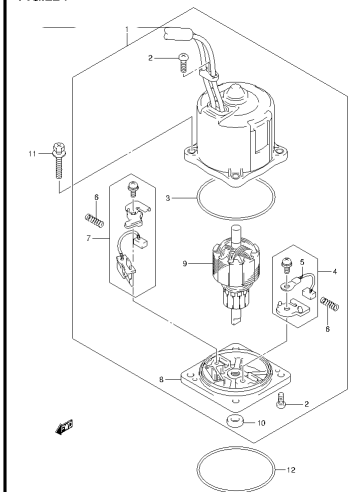
DF250_E91_013_222
TRIM CYLINDER TRANSOML

FIG.223



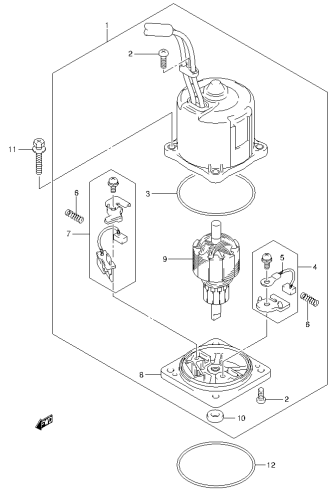
DF250_E91_013_223
PTT MOTOR TRANSOMXXX

FIG.224



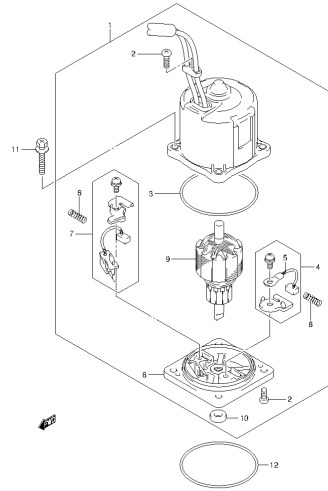
DF250_E91_013_224
PTT MOTOR TRANSOMXXX

FIG.225



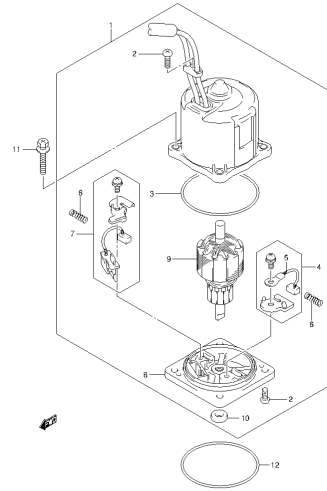
DF250_E91_013_225
PTT MOTOR TRANS(M)XXX

FIG.226



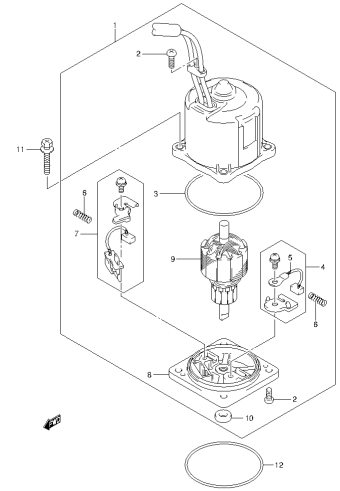
DF250_E91_013_226
PTT MOTOR TRANS(M)X

FIG.227



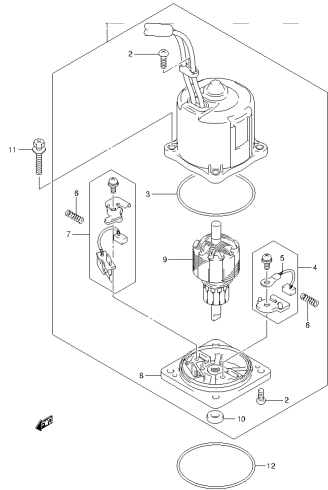
DF250_E91_013_227
PTT MOTOR TRANS(M)XXX

FIG.228



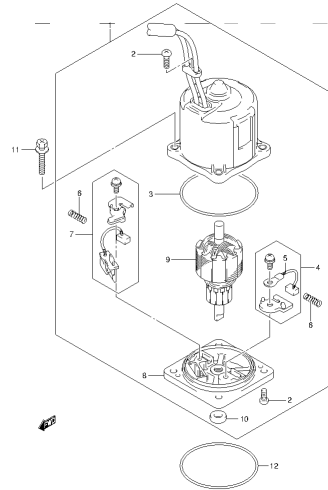
DF250_E91_013_228
PTT MOTOR TRANS(M)XXX

FIG.229



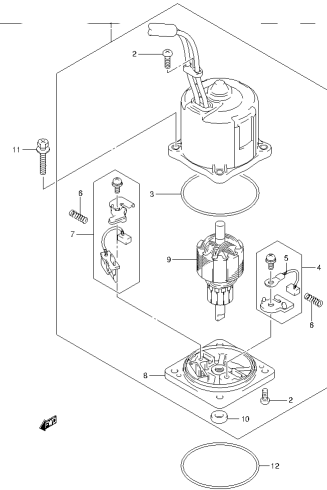
DF250_E91_013_229
PTT MOTOR TRANS(M)XXX

FIG.230



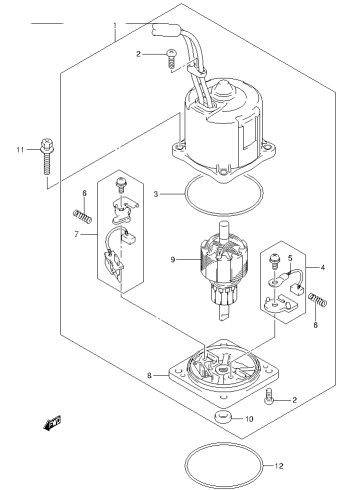
DF250_E91_013_230
PTT MOTOR TRANS(M)XXX

FIG.231



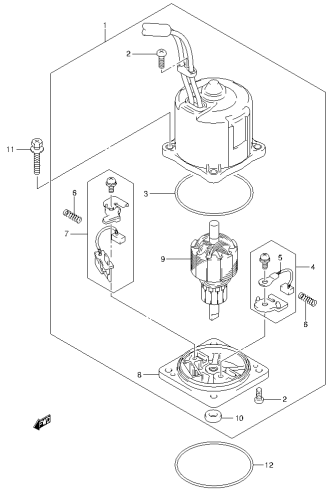
DF250_E91_013_231
PTT MOTOR TRANS(M)XXX

FIG.232



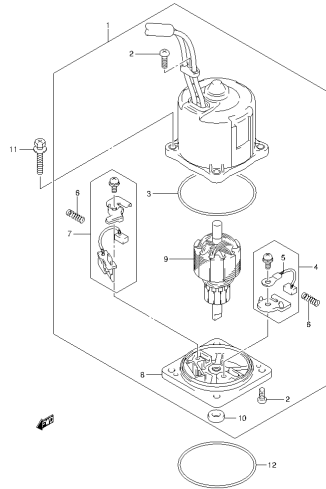
DF250_E91_013_232
PTT MOTOR TRANS(M)XXX

FIG.233



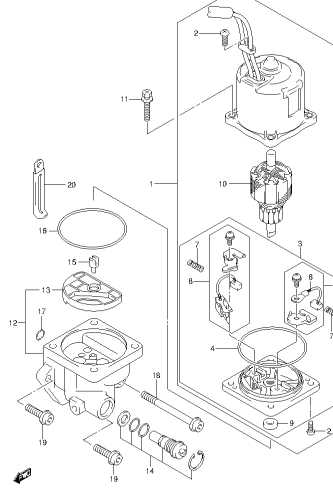
DF250_E91_013_233
P.T.T MOTOR TRANSMISSION

FIG.234



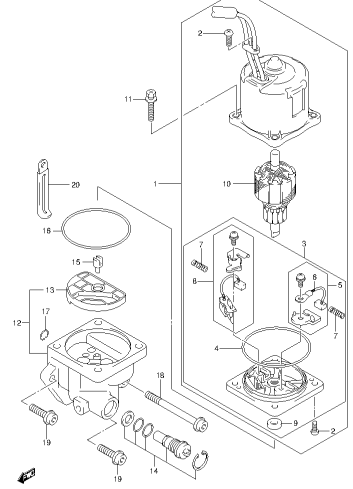
DF250_E91_013_234
P.T.T MOTOR TRANSMISSION

FIG.235



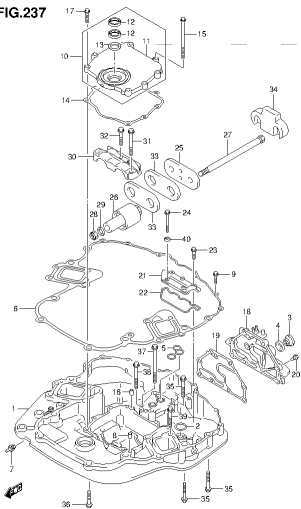
DF250_E91_013_235
P.T.T MOTOR TRANSMISSION

FIG.236



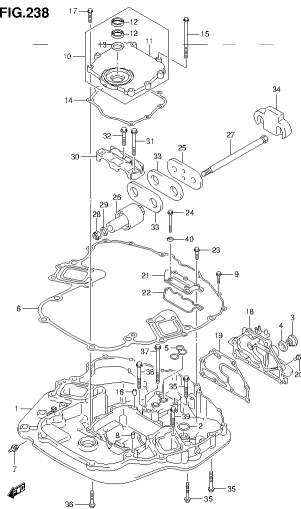
DF250_E91_013_236
P.T.T MOTOR TRANSMISSION

FIG.237



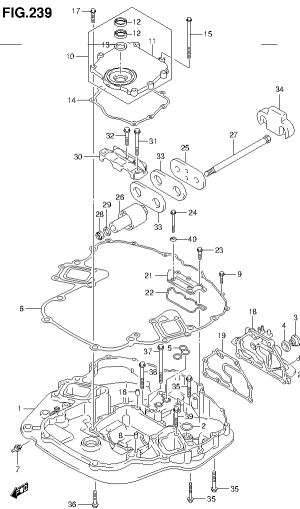
DF250_E91_013_237
ENGINE HOLDER

FIG.238



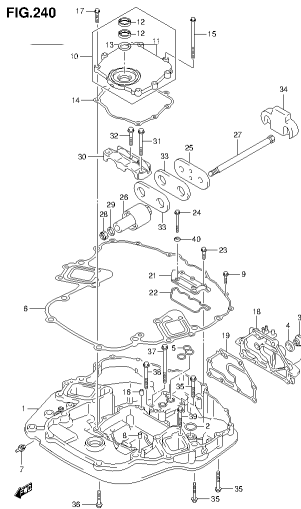
DF250_E91_013_238
ENGINE HOLDER

FIG.239



DF250_E91_013_239
ENGINE HOLDER

FIG.240



DF250_E91_013_240
ENGINE HOLDER

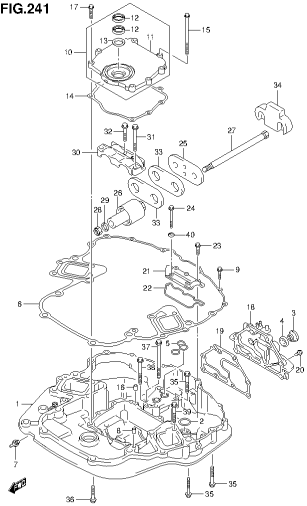
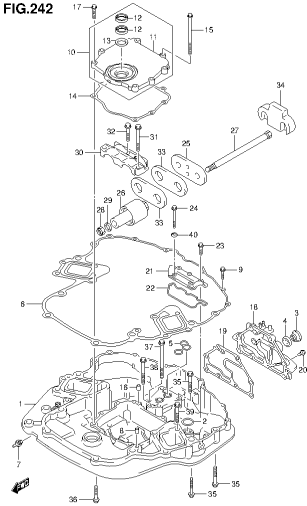
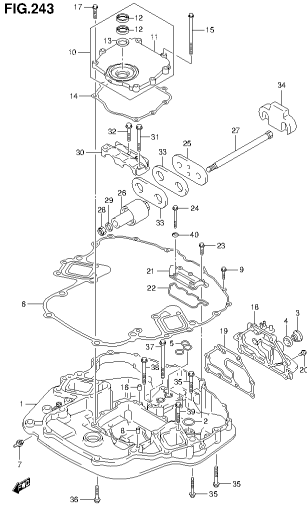
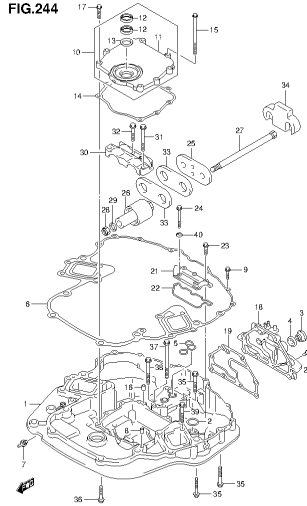
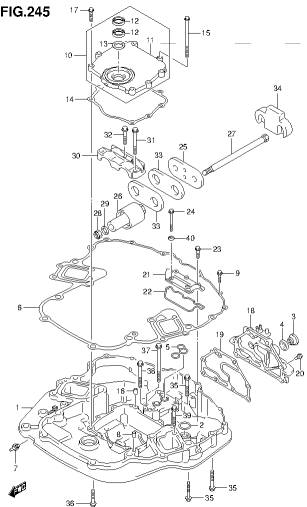
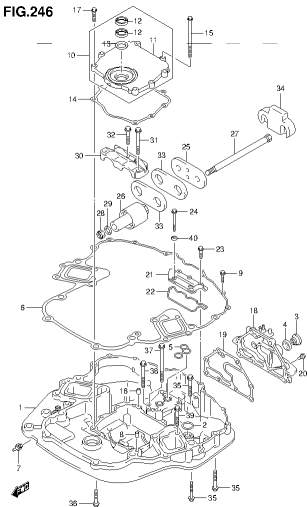
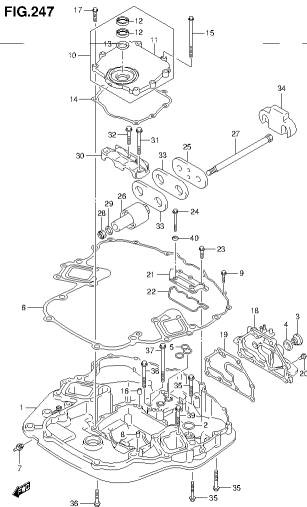
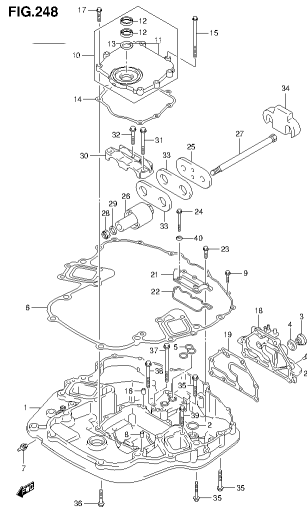
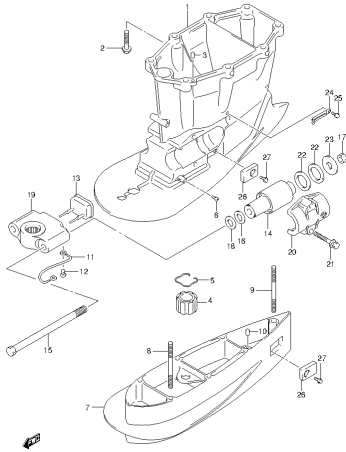
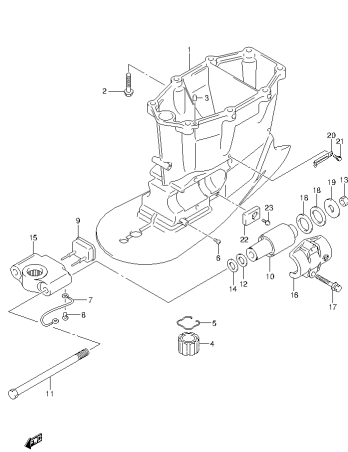
FIG.241DF250_E91_013_241
ENGINE HOLDER**FIG.242**DF250_E91_013_242
ENGINE HOLDER**FIG.243**DF250_E91_013_243
ENGINE HOLDER**FIG.244**DF250_E91_013_244
ENGINE HOLDER**FIG.245**DF250_E91_013_245
ENGINE HOLDER**FIG.246**DF250_E91_013_246
ENGINE HOLDER**FIG.247**DF250_E91_013_247
ENGINE HOLDER**FIG.248**DF250_E91_013_248
ENGINE HOLDER

FIG.249



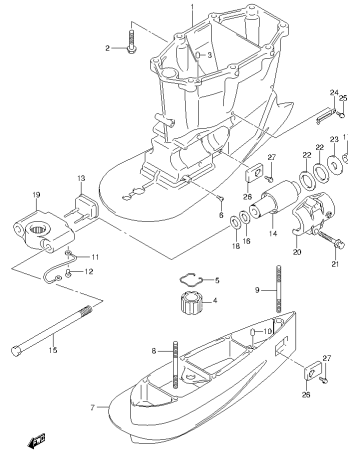
DF250_E91_013_249
DRIVE SHAFT HOUSING (TRANSOMX,XX)

FIG.250



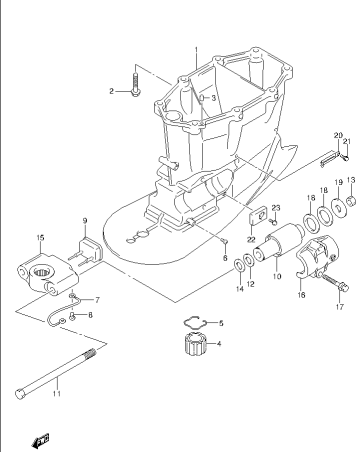
DF250_E91_013_250
DRIVE SHAFT HOUSING (TRANSOMX,XX)

FIG.251



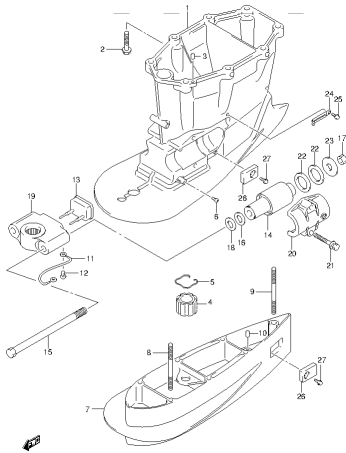
DF250_E91_013_251
DRIVE SHAFT HOUSING (TRANSOMX,XX)

FIG.252



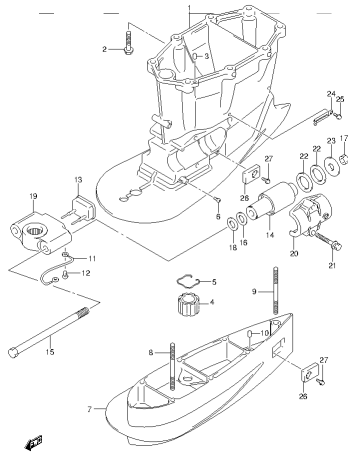
DF250_E91_013_252
DRIVE SHAFT HOUSING (TRANSOMX,XX)

FIG.253



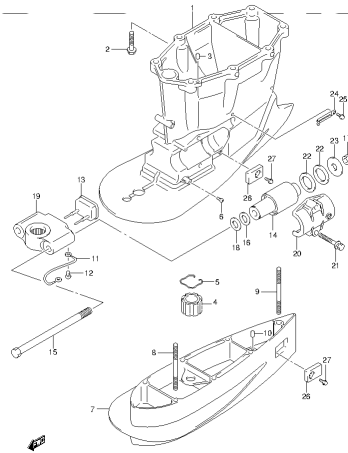
DF250_E91_013_253
DRIVE SHAFT HOUSING (TRANSOMX,XX)

FIG.254



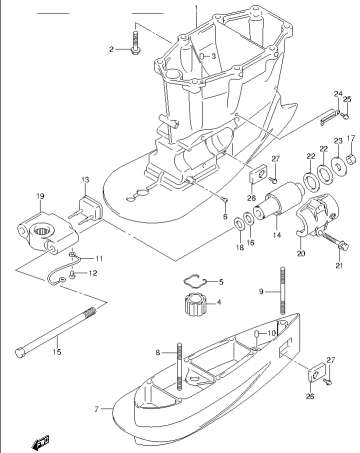
DF250_E91_013_254
DRIVE SHAFT HOUSING (TRANSOMX,XX)

FIG.255



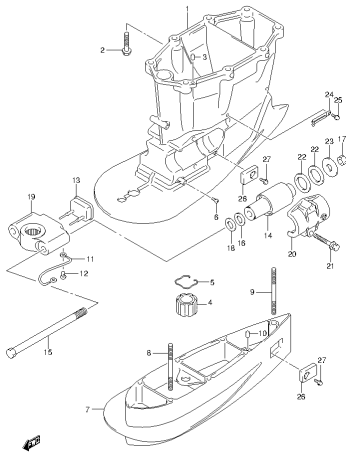
DF250_E91_013_255
DRIVE SHAFT HOUSING (TRANSOMX,XX)

FIG.256



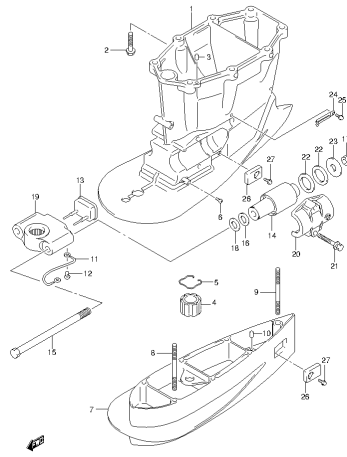
DF250_E91_013_256
DRIVE SHAFT HOUSING (TRANSOMX,XX)

FIG.257



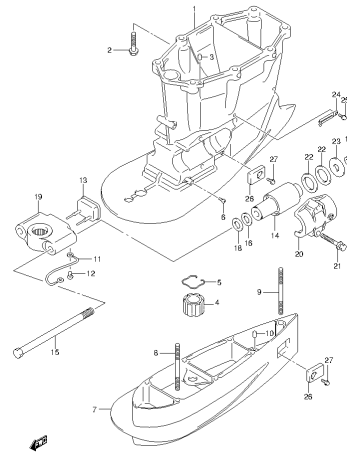
DF250_E91_013_257
DRIVE SHAFT HOUSING (TRANSMOXX)

FIG.258



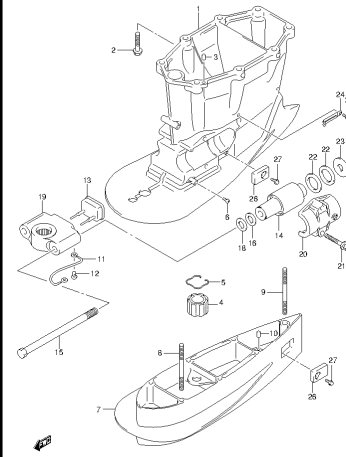
DF250_E91_013_258
DRIVE SHAFT HOUSING (TRANSMOXX)

FIG.259



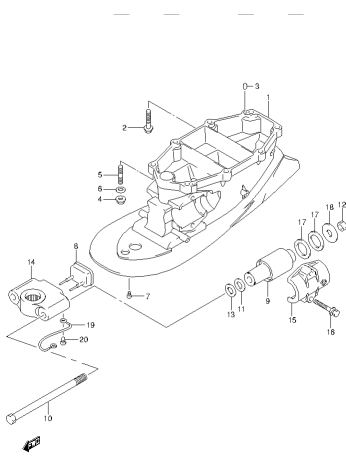
DF250_E91_013_259
DRIVE SHAFT HOUSING (TRANSMOXX)

FIG.260



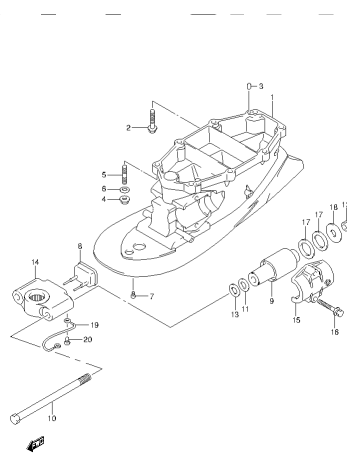
DF250_E91_013_260
DRIVE SHAFT HOUSING (TRANSMOXX)

FIG.261



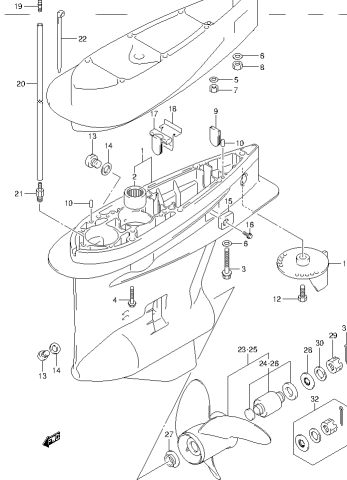
DF250_E91_013_261
DRIVE SHAFT HOUSING (TRANSMO)

FIG.262



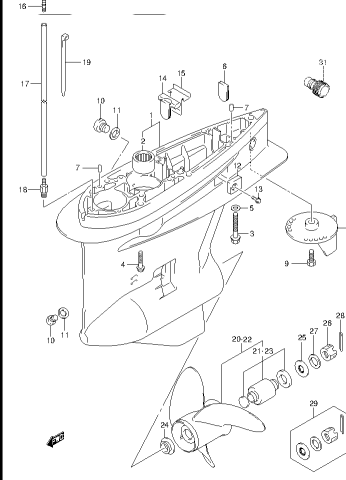
DF250_E91_013_262
DRIVE SHAFT HOUSING (TRANSMO)

FIG.263



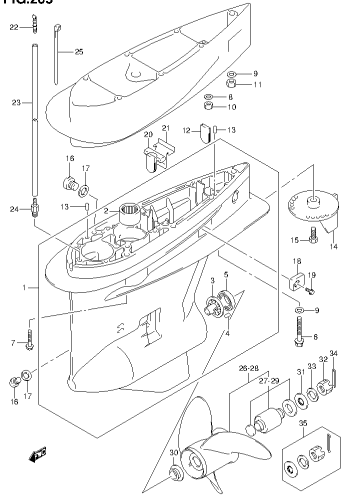
DF250_E91_013_263
GEAR CASE

FIG.264



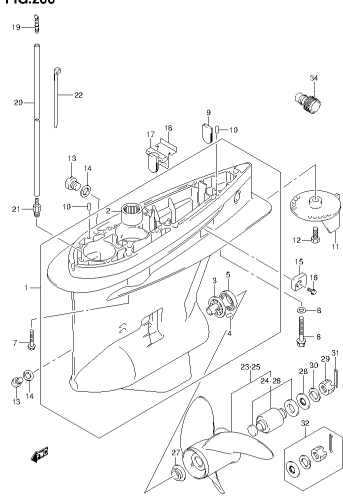
DF250_E91_013_264
GEAR CASE

FIG.265



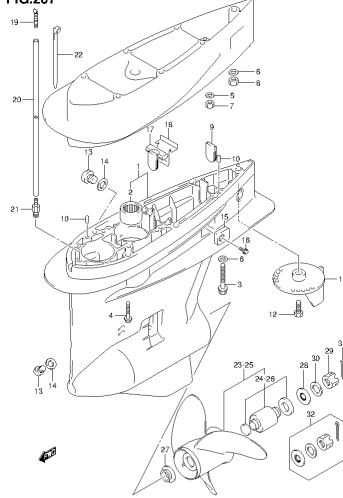
DF250_E91_013_285
GEAR CASE

FIG.266



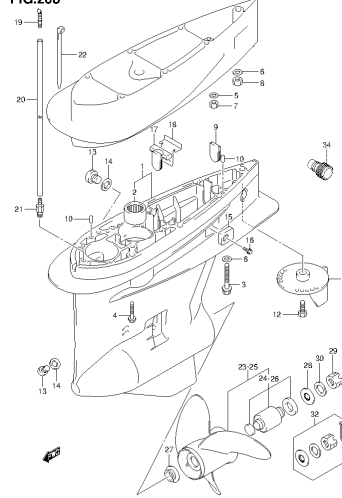
DF250_E91_013_286
GEAR CASE

FIG.267



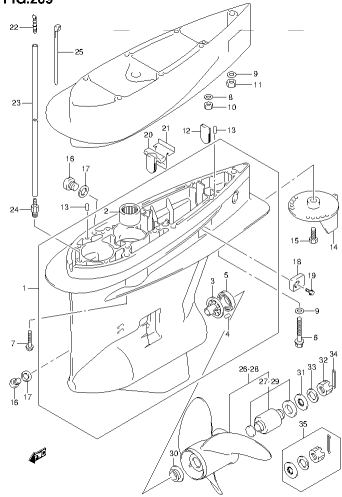
DF250_E91_013_267
GEAR CASE

FIG.268



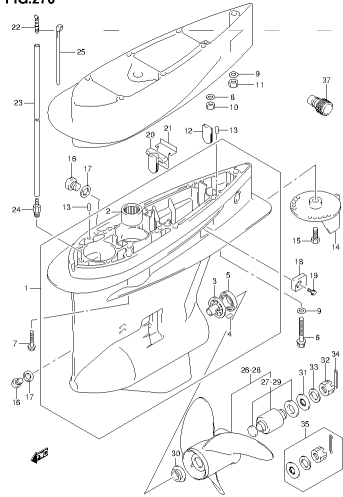
DF250_E91_013_288
GEAR CASE

FIG.269



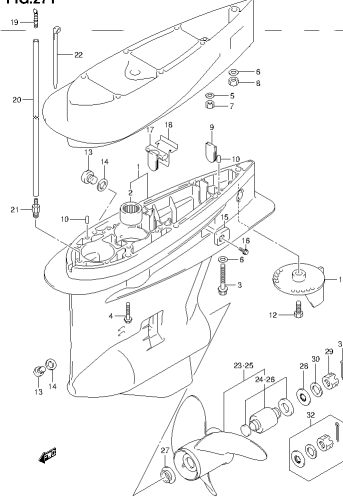
DF250_E91_013_289
GEAR CASE

FIG.270



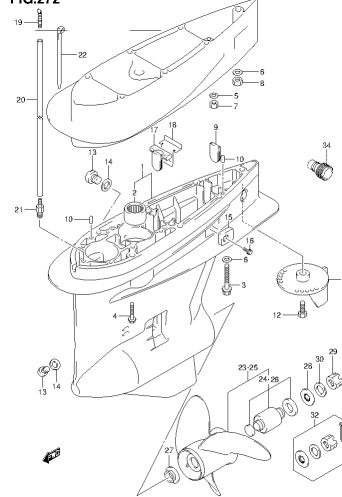
DF250_E91_013_270
GEAR CASE

FIG.271



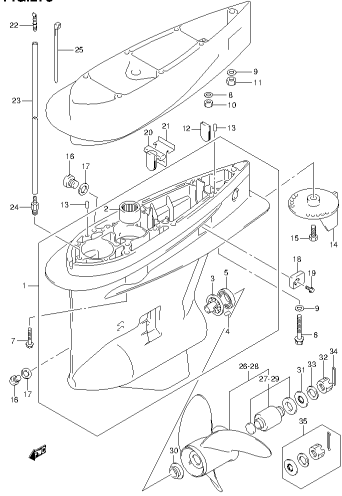
DF250_E91_013_271
GEAR CASE

FIG.272



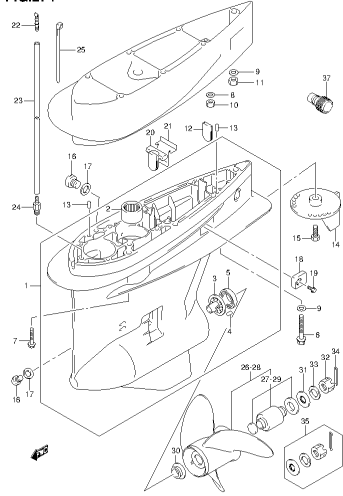
DF250_E91_013_272
GEAR CASE

FIG.273



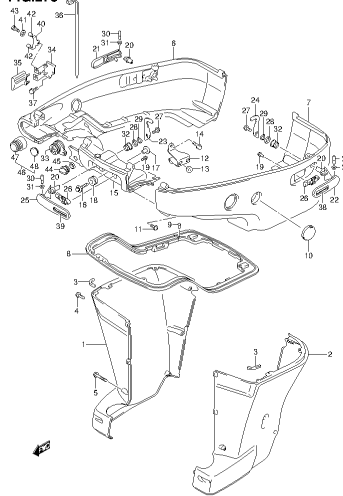
DF250_E91_013_273
GEAR CASE

FIG.274



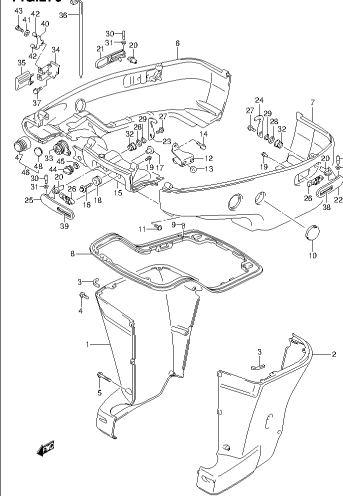
DF250_E91_013_274
GEAR CASE

FIG.275



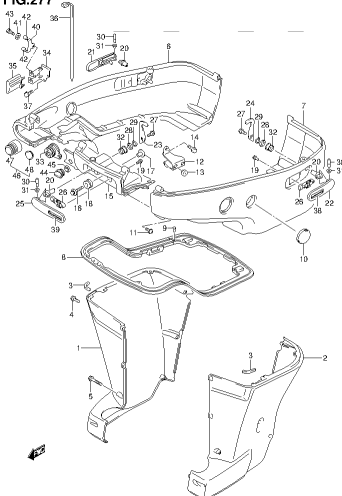
DF250_E91_013_275
SIDE COVER TRANSOM(XXX)

FIG.276



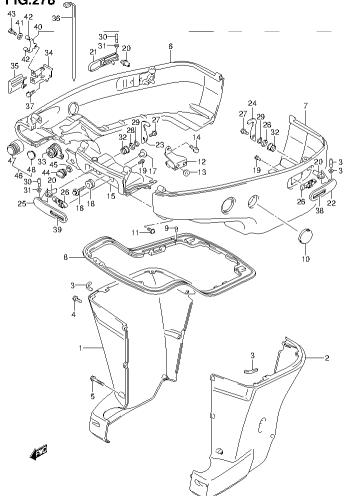
DF250_E91_013_276
SIDE COVER TRANSOM(XXX)

FIG.277



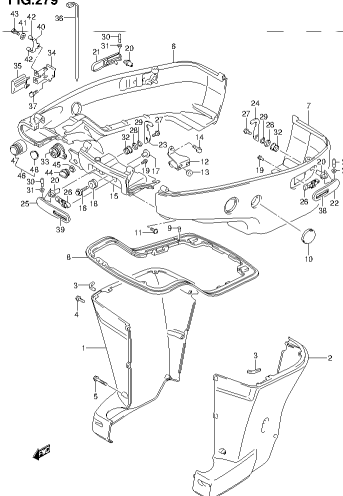
DF250_E91_013_277
SIDE COVER TRANSOM(XXX)

FIG.278



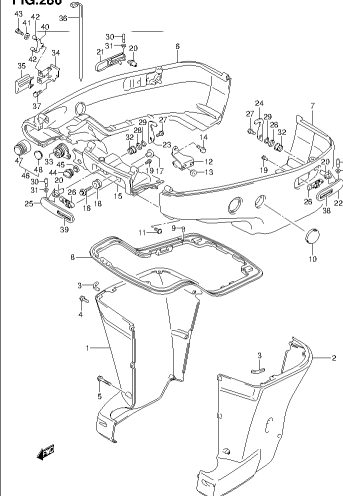
DF250_E91_013_278
SIDE COVER TRANSOM(XXX)

FIG.279

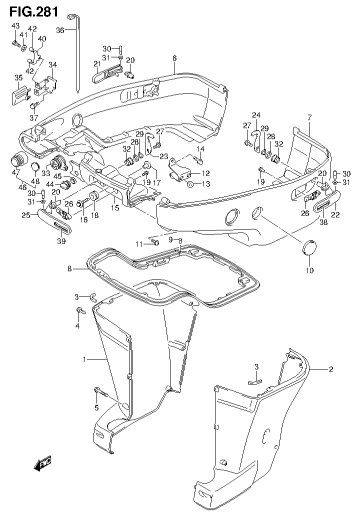


DF250_E91_013_279
SIDE COVER TRANSOM(XXX)

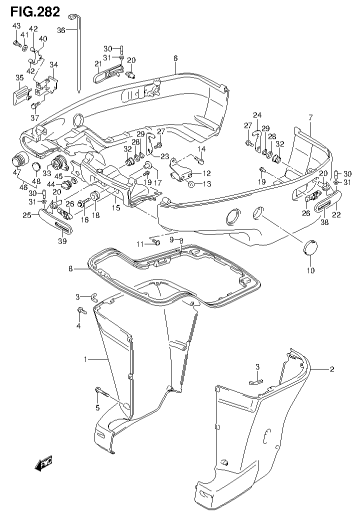
FIG.280



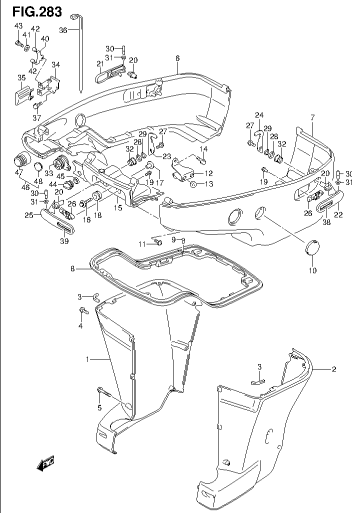
DF250_E91_013_280
SIDE COVER TRANSOM(XXX)



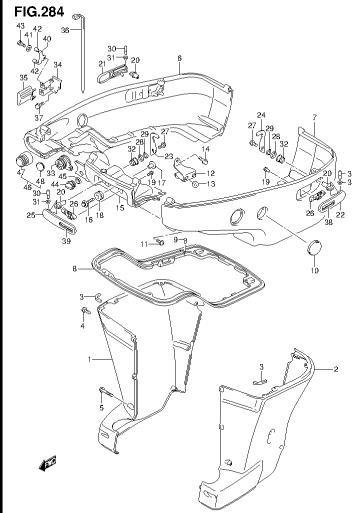
DF250_E91_013_281
SIDE COVER TRANSOM(XXX)



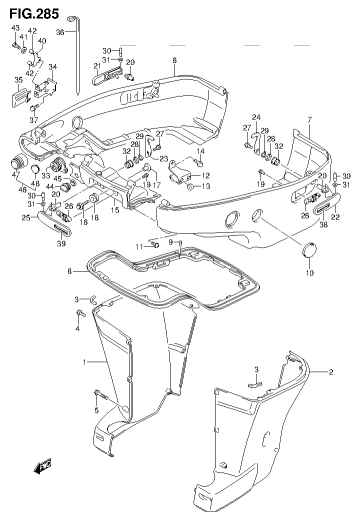
DF250_E91_013_282
SIDE COVER TRANSOM(XXX)



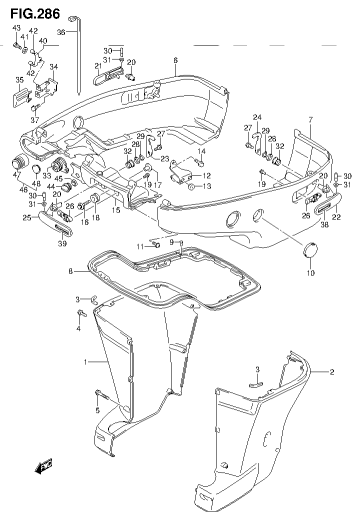
DF250_E91_013_283
SIDE COVER TRANSOM(XXX)



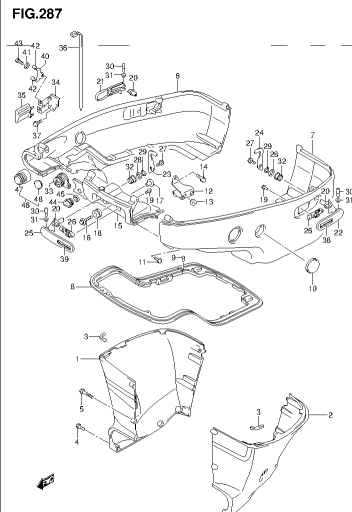
DF250_E91_013_284
SIDE COVER TRANSOM(XXX)



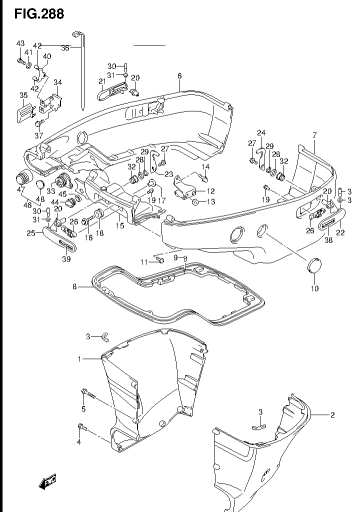
DF250_E91_013_285
SIDE COVER TRANSOM(XXX)



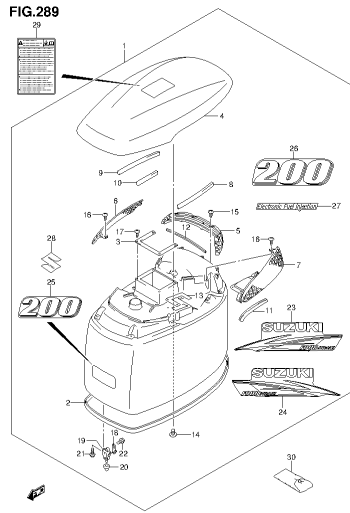
DF250_E91_013_286
SIDE COVER TRANSOM(XXX)



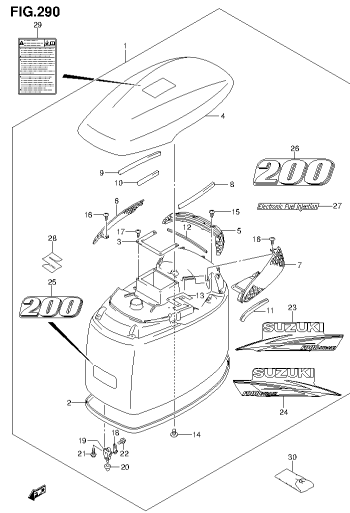
DF250_E91_013_287
SIDE COVER TRANSOM(L)



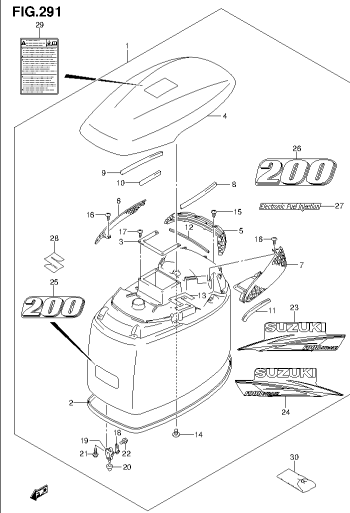
DF250_E91_013_288
SIDE COVER TRANSOM(L)



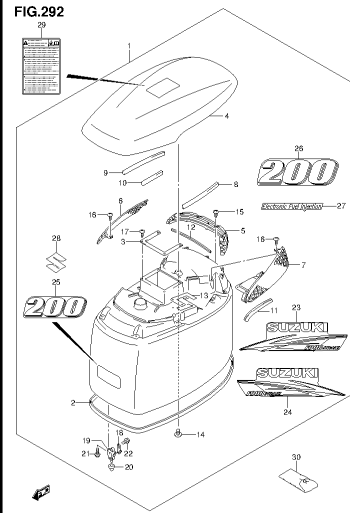
DF250_E01_013_289
ENGINE COVER



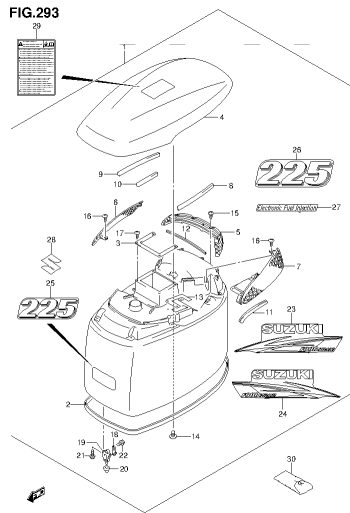
DF250_E01_013_290
ENGINE COVER



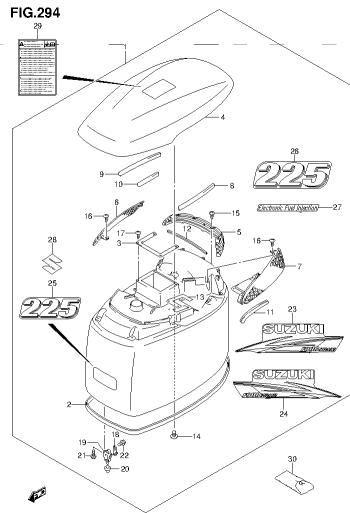
DF250_E01_013_291
ENGINE COVER



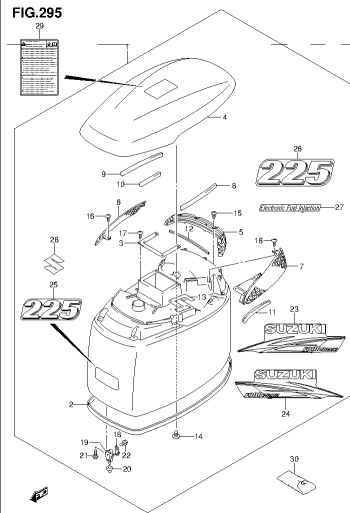
DF250_E01_013_292
ENGINE COVER



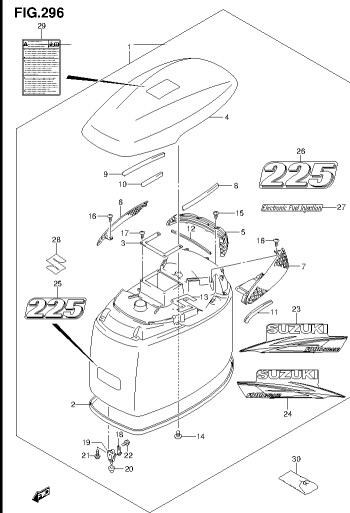
DF250_E01_013_293
ENGINE COVER



DF250_E01_013_294
ENGINE COVER

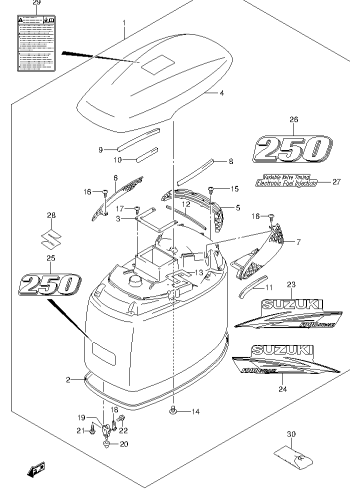


DF250_E01_013_295
ENGINE COVER



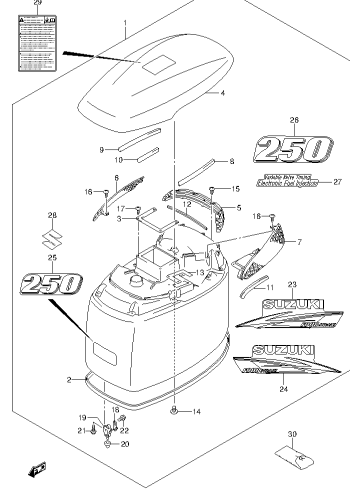
DF250_E01_013_296
ENGINE COVER

FIG.297



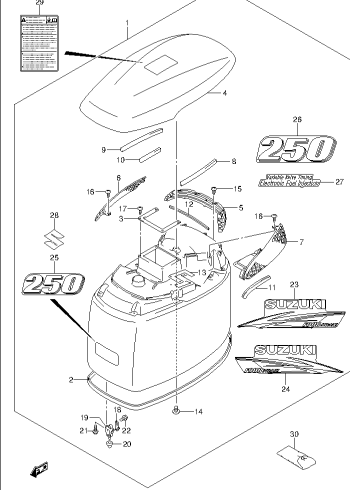
DF250_E01_013_297
ENGINE COVER

FIG.298



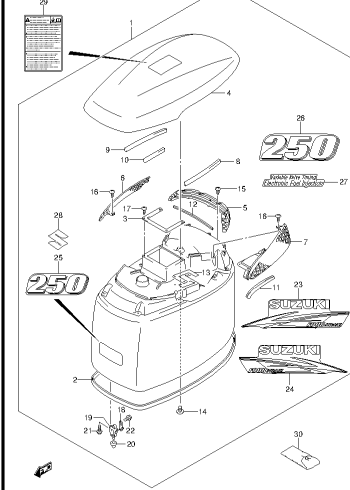
DF250_E01_013_298
ENGINE COVER

FIG.299



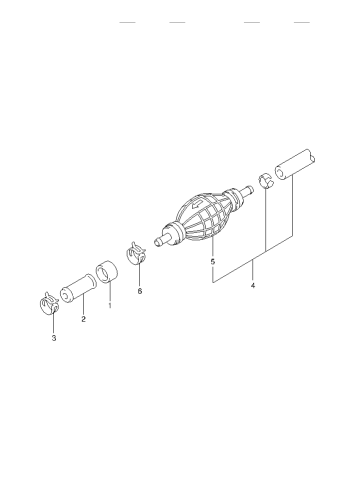
DF250_E01_013_299
ENGINE COVER

FIG.300



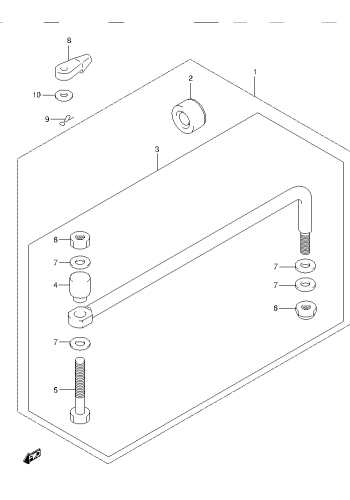
DF250_E01_013_300
ENGINE COVER

FIG.301



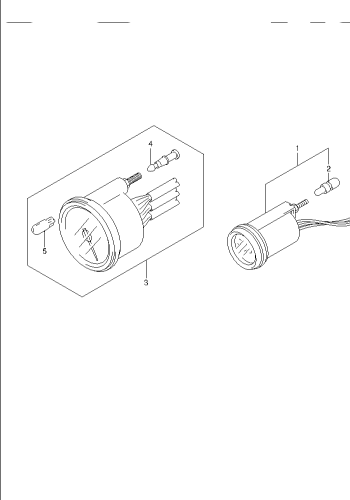
DF250_E01_013_301
FUEL HOSE

FIG.302



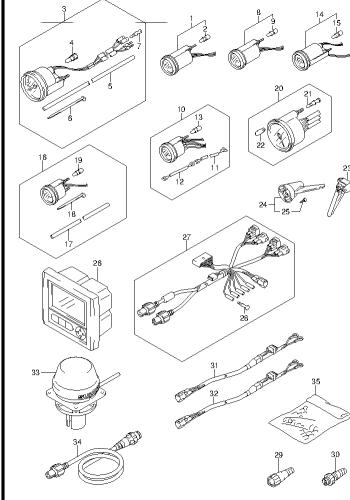
DF250_E01_013_302
DRAG LINK

FIG.303



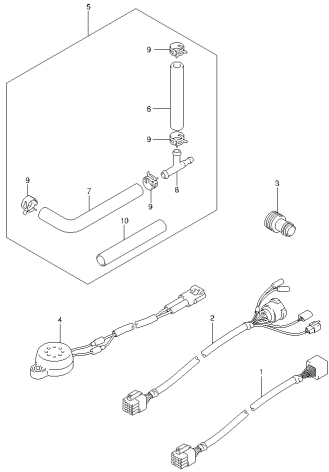
DF250_E01_013_303
METER

FIG.304



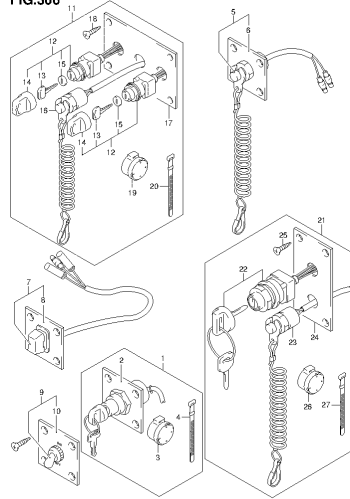
DF250_E01_013_304
OPTI-METER

FIG.305



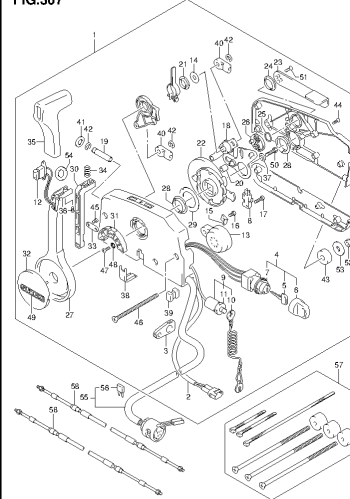
DF250_E91_013_305
OPT.HARNISS

FIG.306



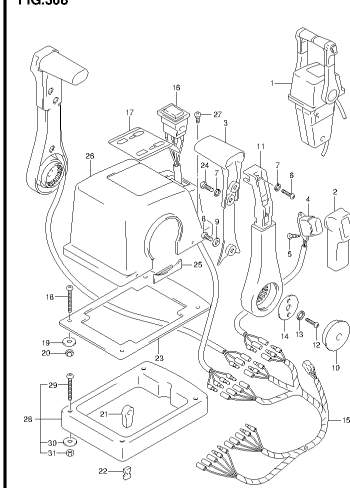
DF250_E91_013_306
OPT.SWITCH

FIG.307



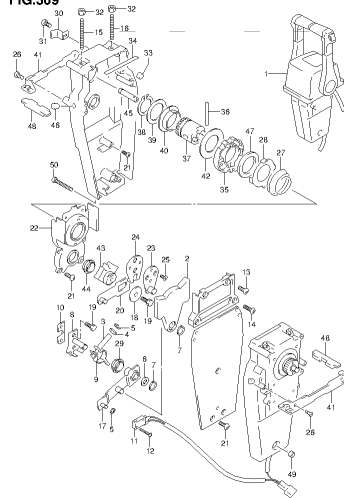
DF250_E91_013_307
OPT.REMOTE CONTROL

FIG.308



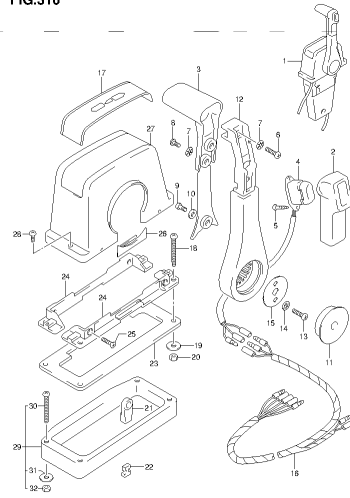
DF250_E91_013_308
OPT.TOP MOUNT DUAL (1)

FIG.309



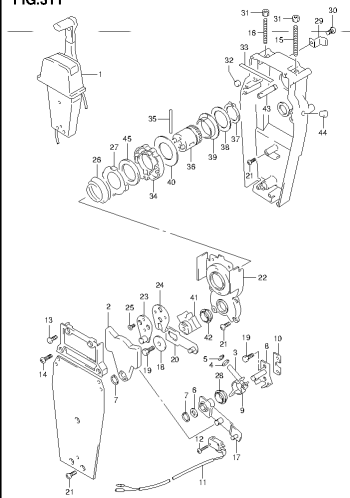
DF250_E91_013_309
OPT.TOP MOUNT DUAL (2)

FIG.310



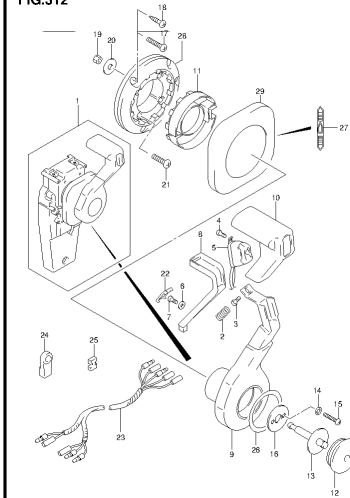
DF250_E91_013_310
OPT.TOP MOUNT SINGLE (1)

FIG.311



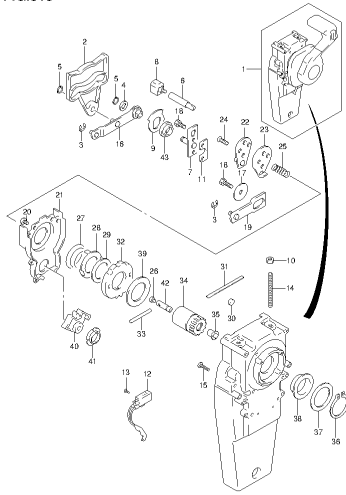
DF250_E91_013_311
OPT.TOP MOUNT SINGLE (2)

FIG.312



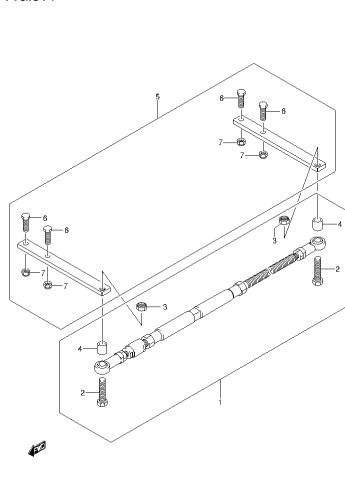
DF250_E91_013_312
OPT.CONCEALED REMOCON (1)

FIG.313



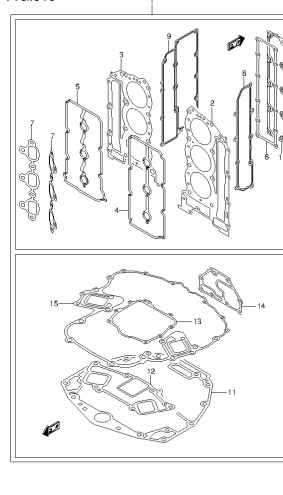
DF250_E91_013_313
OPT.GONGEAL ED.REMOCON(2)

FIG.314



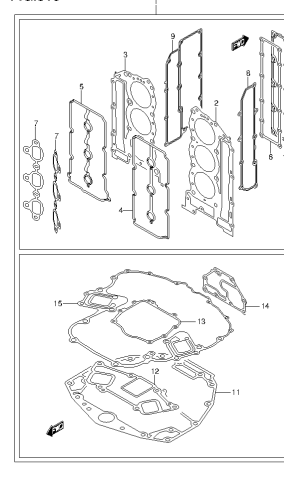
DF250_E91_013_314
OPT.ITE.RDQ

FIG.315



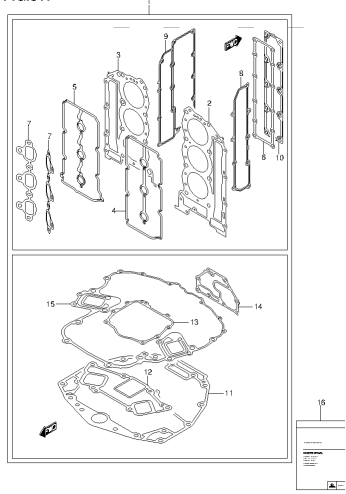
DF250_E91_013_315
OPT.GASKET SET

FIG.316



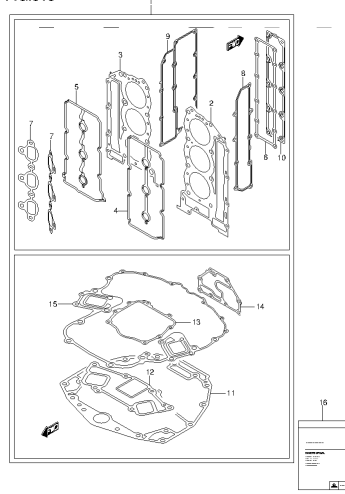
DF250_E91_013_316
OPT.GASKET SET

FIG.317



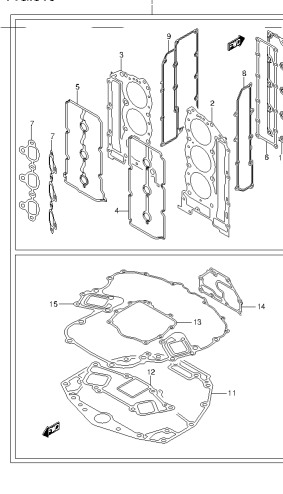
DF250_E91_013_317
OPT.GASKET SET

FIG.318



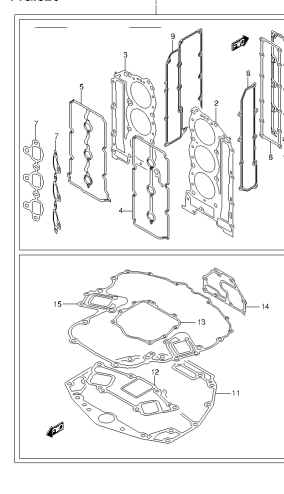
DF250_E91_013_318
OPT.GASKET SET

FIG.319

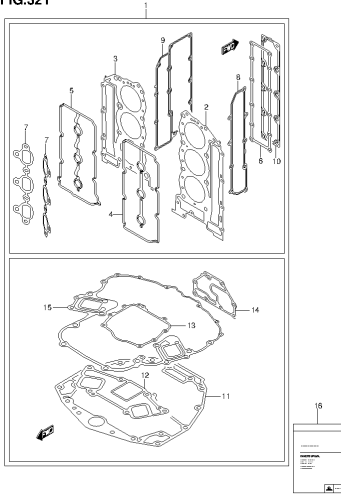


DF250_E91_013_319
OPT.GASKET SET

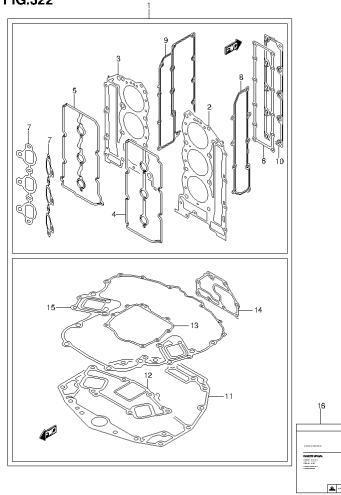
FIG.320



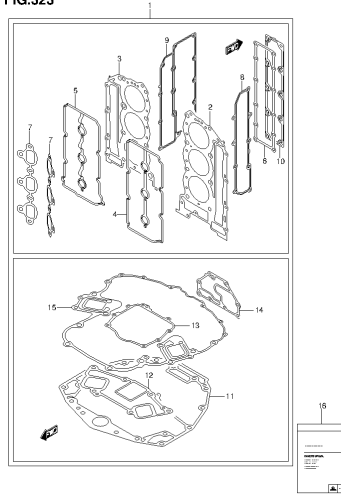
DF250_E91_013_320
OPT.GASKET SET

FIG.321

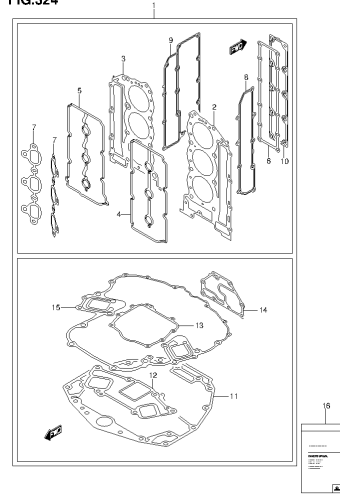
DP250_E91_013_321
OPT.GASKET SET

FIG.322

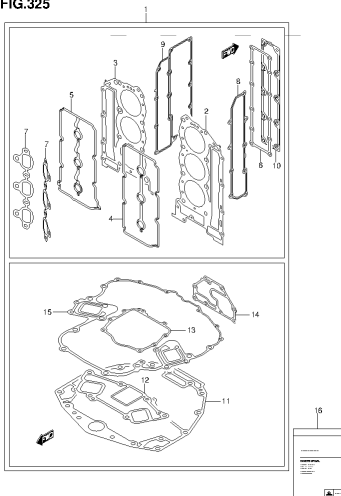
DP250_E91_013_322
OPT.GASKET SET

FIG.323

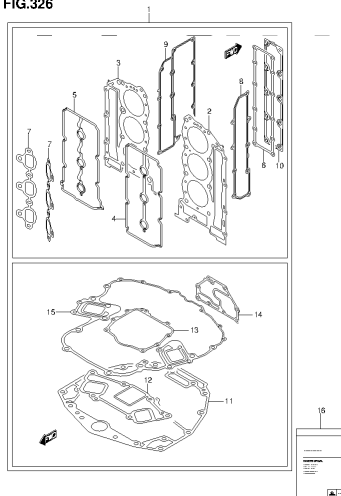
DP250_E91_013_323
OPT.GASKET SET

FIG.324

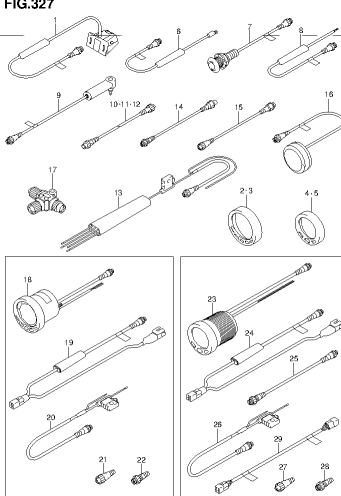
DP250_E91_013_324
OPT.GASKET SET

FIG.325

DP250_E91_013_325
OPT.GASKET SET

FIG.326

DP250_E91_013_326
OPT.GASKET SET

FIG.327

DP250_E91_013_327
OPT.LOWRANCE GAUGE

FIG.1

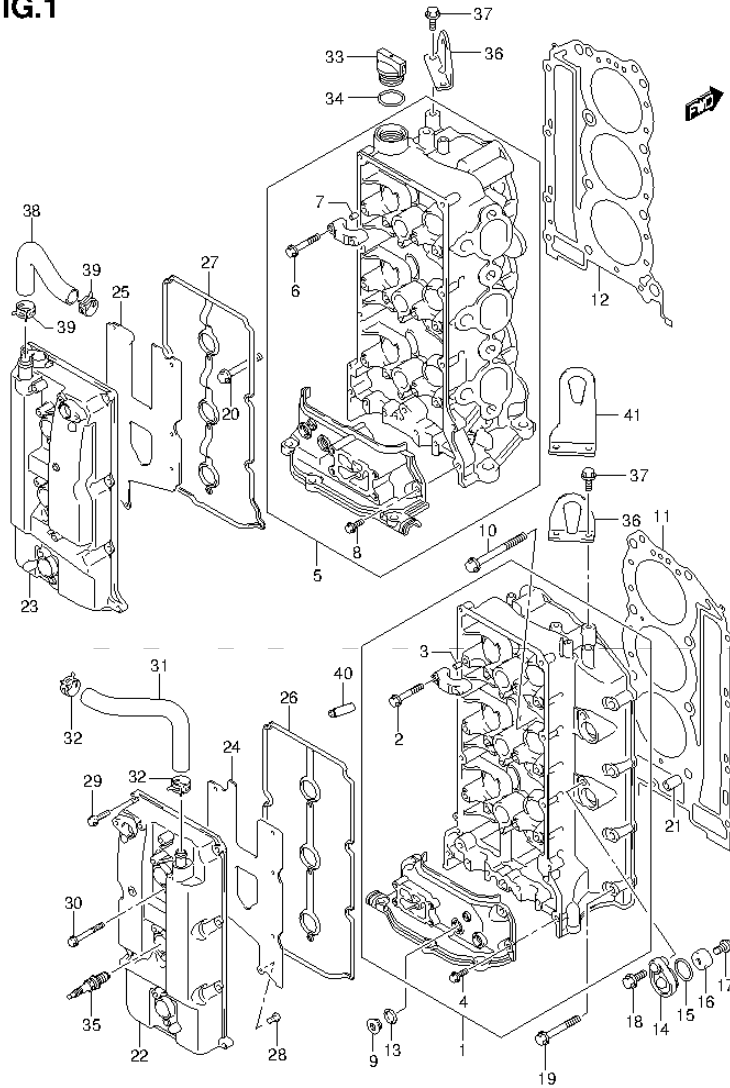


FIG.1 (1-B-2) CYLINDER HEAD (DF200T E1)

REF NO.	PART NO.	DESCRIPTION	Q'TY	REMARKS
1	11101-93J13	HEAD ASSY, CYLINDER STBD	1	
2	11128-90J00	BOLT, CAM SHAFT HOUSING	16	
3	09206-08001	PIN (8X11)	14	
4	01550-06207	BOLT	4	
5	11103-93J13	HEAD ASSY, CYLINDER PORT	1	
6	11128-90J00	BOLT, CAM SHAFT HOUSING	16	
7	09206-08001	PIN (8X11)	14	
8	01550-06207	BOLT	2	
9	11116-93J01	PLUG	4	
10	11119-93J00	BOLT	16	
11	11141-93J10	GASKET, CYL HEAD STBD	1	
12	11142-93J10	GASKET, CYL HEAD PORT	1	
13	09168-16009	GASKET (16X22X0.8)	4	
14	11261-93J00	COVER, PROTECTION ANODE	4	
15	09280-22019	O RING (D:1.9,ID:21.8)	4	
16	55321-87J00	ANODE, PROTECTION	4	
17	09103-06281	BOLT (6X14)	4	
18	01550-08207	BOLT	4	
19	01550-08607	BOLT	5	STBD
20	01550-08607	BOLT	4	PORT
21	09206-14004	PIN (14X11.4X23)	4	
22	11170-93J01	COVER, CYL HEAD STBD	1	
23	11180-93J02	COVER, CYLINDER HEAD PORT	1	
24	11173-93J00	PLATE, BREATHER STBD	1	
25	11183-93J00	PLATE, BREATHER PORT	1	
26	11179-93J00	GASKET, CYL HEAD COVER STBD	1	
27	11189-93J00	GASKET, CYL HEAD COVER PORT	1	
28	02112-0612A	SCREW	14	
29	01547-06257	BOLT	16	
30	01547-06507	BOLT	6	
31	11174-93J00	HOSE, BREATHER	1	
32	09401-18410	CLIP	2	
33	11382-93J00	CAP, OIL FILLER	1	
34	09280-26006	O RING (D:3.1,ID:26.4)	1	

FIG.1

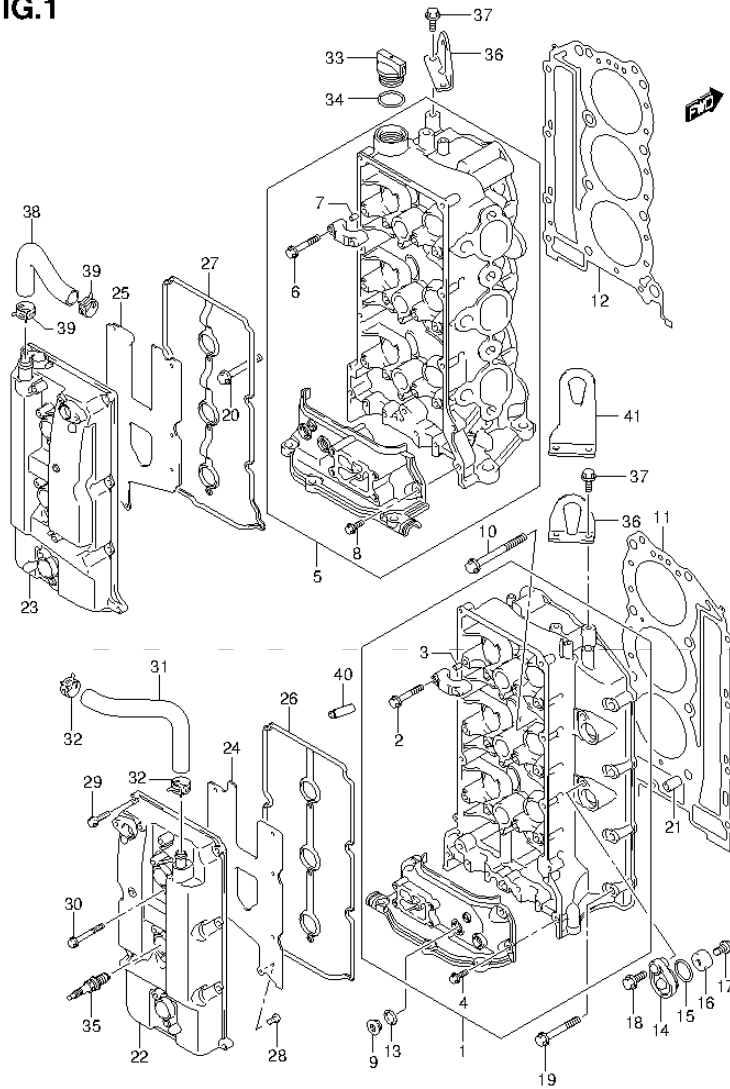


FIG.1 (1-B-3) CYLINDER HEAD (DF200T E1)

REF NO.	PART NO.	DESCRIPTION	Q'TY	REMARKS
35	09482-00427	SPARK PLUG (NGK, BKR6E)	6	
36	11291-93J00	HOOK, ENGINE	2	
37	01550-08207	BOLT	4	
38	11184-93J00	HOSE, BREATHER	1	
39	09401-18410	CLIP	2	
40	11115-93J10-001	GUIDE, VALVE OS	24	OPT
41	11291-98J00	HOOK, ENGINE	1	OPT

FIG.2

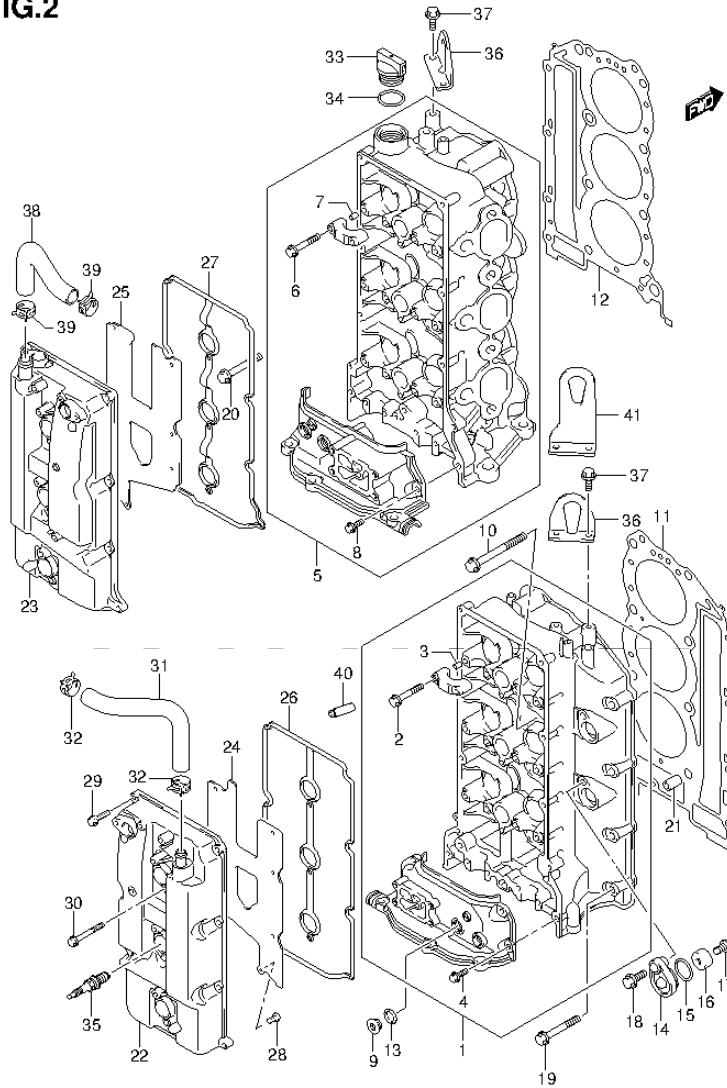


FIG.2 (1-B-4) CYLINDER HEAD (DF200T E40)

REF NO.	PART NO.	DESCRIPTION	Q'TY	REMARKS
1	11101-93J13	HEAD ASSY, CYLINDER STBD	1	
2	11128-90J00	BOLT, CAM SHAFT HOUSING	16	
3	09206-08001	PIN (8X11)	14	
4	01550-06207	BOLT	4	
5	11103-93J13	HEAD ASSY, CYLINDER PORT	1	
6	11128-90J00	BOLT, CAM SHAFT HOUSING	16	
7	09206-08001	PIN (8X11)	14	
8	01550-06207	BOLT	2	
9	11116-93J01	PLUG	4	
10	11119-93J00	BOLT	16	
11	11141-93J10	GASKET, CYL HEAD STBD	1	
12	11142-93J10	GASKET, CYL HEAD PORT	1	
13	09168-16009	GASKET (16X22X0.8)	4	
14	11261-93J00	COVER, PROTECTION ANODE	4	
15	09280-22019	O RING (D:1.9,ID:21.8)	4	
16	55321-87J00	ANODE, PROTECTION	4	
17	09103-06281	BOLT (6X14)	4	
18	01550-08207	BOLT	4	
19	01550-08607	BOLT	5	STBD
20	01550-08607	BOLT	4	PORT
21	09206-14004	PIN (14X11.4X23)	4	
22	11170-93J01	COVER, CYL HEAD STBD	1	
23	11180-93J02	COVER, CYLINDER HEAD PORT	1	
24	11173-93J00	PLATE, BREATHER STBD	1	
25	11183-93J00	PLATE, BREATHER PORT	1	
26	11179-93J00	GASKET, CYL HEAD COVER STBD	1	
27	11189-93J00	GASKET, CYL HEAD COVER PORT	1	
28	02112-0612A	SCREW	14	
29	01547-06257	BOLT	16	
30	01547-06507	BOLT	6	
31	11174-93J00	HOSE, BREATHER	1	
32	09401-18410	CLIP	2	
33	11382-93J00	CAP, OIL FILLER	1	
34	09280-26006	O RING (D:3.1,ID:26.4)	1	

FIG.2

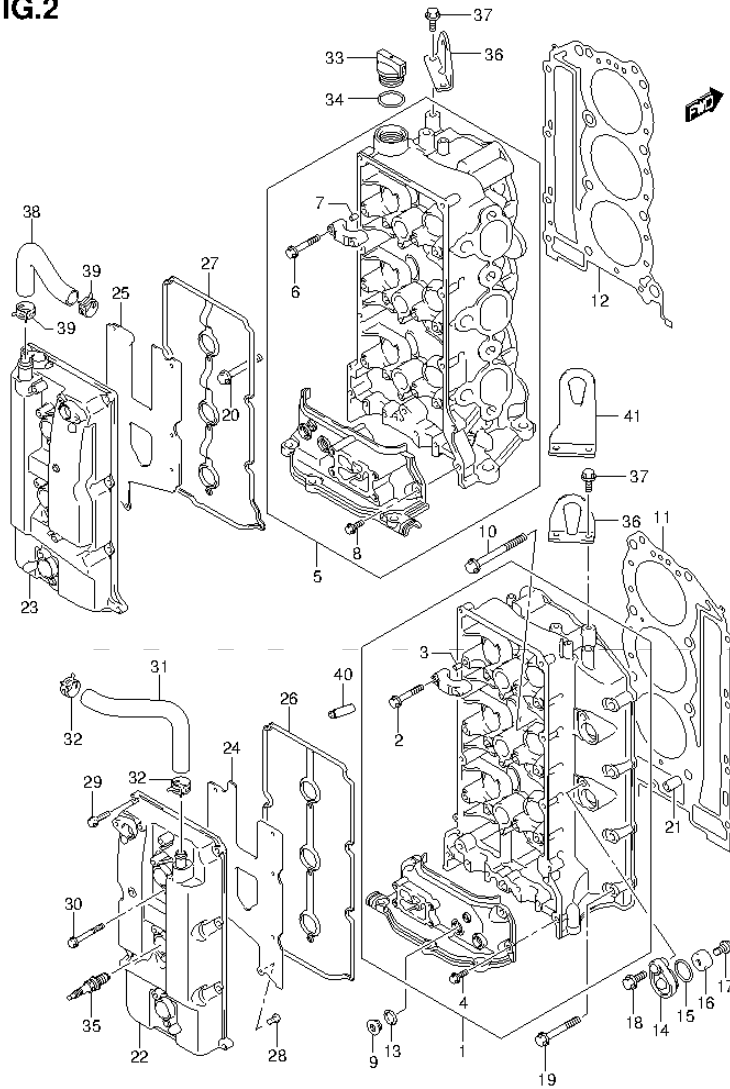


FIG.2 (1-B-5) CYLINDER HEAD (DF200T E40)

REF NO.	PART NO.	DESCRIPTION	Q'TY	REMARKS
35	09482-00427	SPARK PLUG (NGK, BKR6E)	6	
36	11291-93J00	HOOK, ENGINE	2	
37	01550-08207	BOLT	4	
38	11184-93J00	HOSE, BREATHER	1	
39	09401-18410	CLIP	2	
40	11115-93J10-001	GUIDE, VALVE OS	24	OPT
41	11291-98J00	HOOK, ENGINE	1	OPT

FIG.3

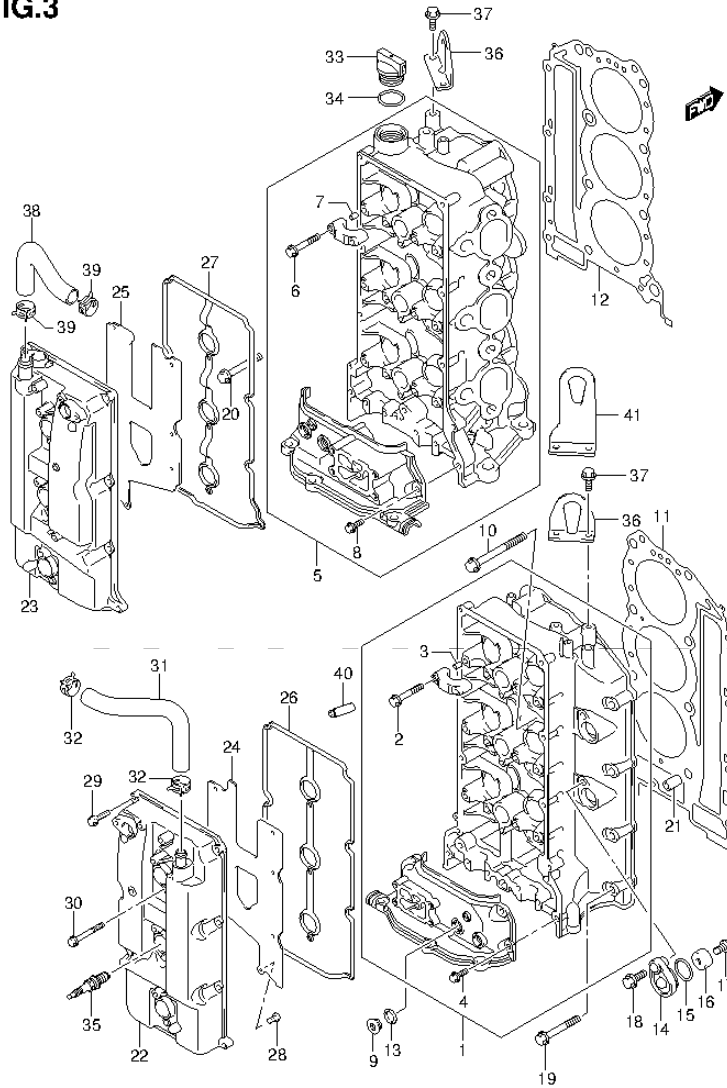


FIG.3 (1-B-6) CYLINDER HEAD (DF200Z E1)

REF NO.	PART NO.	DESCRIPTION	Q'TY	REMARKS
1	11101-93J13	HEAD ASSY, CYLINDER STBD	1	
2	11128-90J00	BOLT, CAM SHAFT HOUSING	16	
3	09206-08001	PIN (8X11)	14	
4	01550-06207	BOLT	4	
5	11103-93J13	HEAD ASSY, CYLINDER PORT	1	
6	11128-90J00	BOLT, CAM SHAFT HOUSING	16	
7	09206-08001	PIN (8X11)	14	
8	01550-06207	BOLT	2	
9	11116-93J01	PLUG	4	
10	11119-93J00	BOLT	16	
11	11141-93J10	GASKET, CYL HEAD STBD	1	
12	11142-93J10	GASKET, CYL HEAD PORT	1	
13	09168-16009	GASKET (16X22X0.8)	4	
14	11261-93J00	COVER, PROTECTION ANODE	4	
15	09280-22019	O RING (D:1.9,ID:21.8)	4	
16	55321-87J00	ANODE, PROTECTION	4	
17	09103-06281	BOLT (6X14)	4	
18	01550-08207	BOLT	4	
19	01550-08607	BOLT	5	STBD
20	01550-08607	BOLT	4	PORT
21	09206-14004	PIN (14X11.4X23)	4	
22	11170-93J01	COVER, CYL HEAD STBD	1	
23	11180-93J02	COVER, CYLINDER HEAD PORT	1	
24	11173-93J00	PLATE, BREATHER STBD	1	
25	11183-93J00	PLATE, BREATHER PORT	1	
26	11179-93J00	GASKET, CYL HEAD COVER STBD	1	
27	11189-93J00	GASKET, CYL HEAD COVER PORT	1	
28	02112-0612A	SCREW	14	
29	01547-06257	BOLT	16	
30	01547-06507	BOLT	6	
31	11174-93J00	HOSE, BREATHER	1	
32	09401-18410	CLIP	2	
33	11382-93J00	CAP, OIL FILLER	1	
34	09280-26006	O RING (D:3.1,ID:26.4)	1	

FIG.3

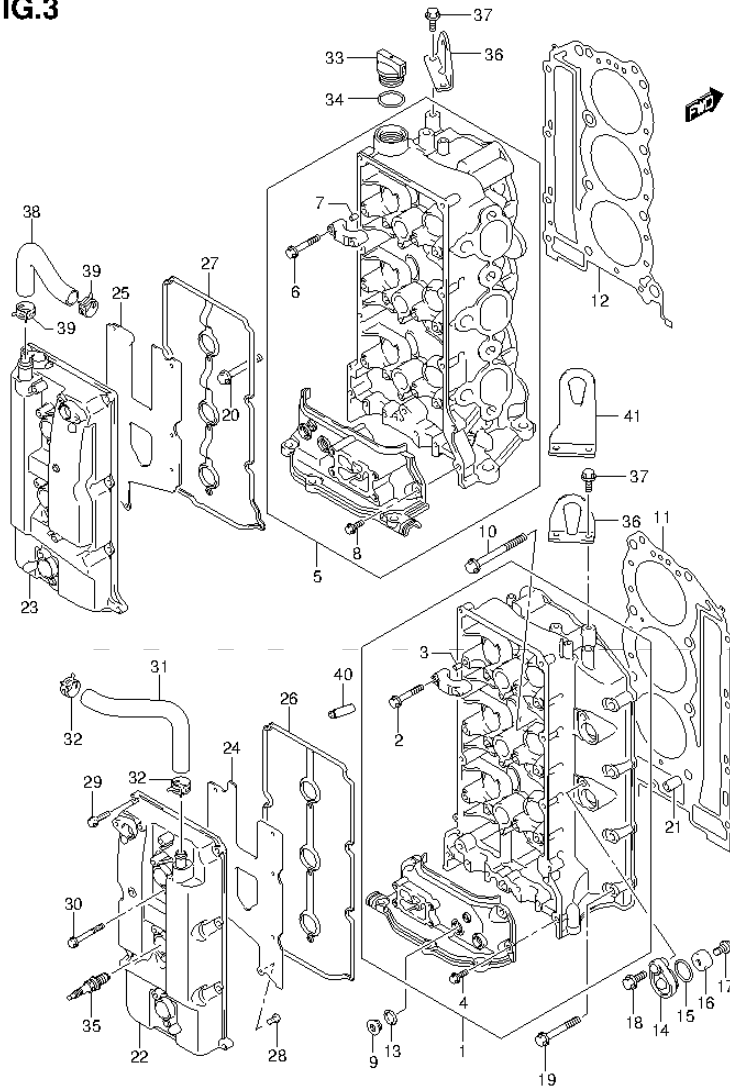


FIG.3 (1-B-7) CYLINDER HEAD (DF200Z E1)

REF NO.	PART NO.	DESCRIPTION	Q'TY	REMARKS
35	09482-00427	SPARK PLUG (NGK, BKR6E)	6	
36	11291-93J00	HOOK, ENGINE	2	
37	01550-08207	BOLT	4	
38	11184-93J00	HOSE, BREATHER	1	
39	09401-18410	CLIP	2	
40	11115-93J10-001	GUIDE, VALVE OS	24	OPT
41	11291-98J00	HOOK, ENGINE	1	OPT

FIG.4

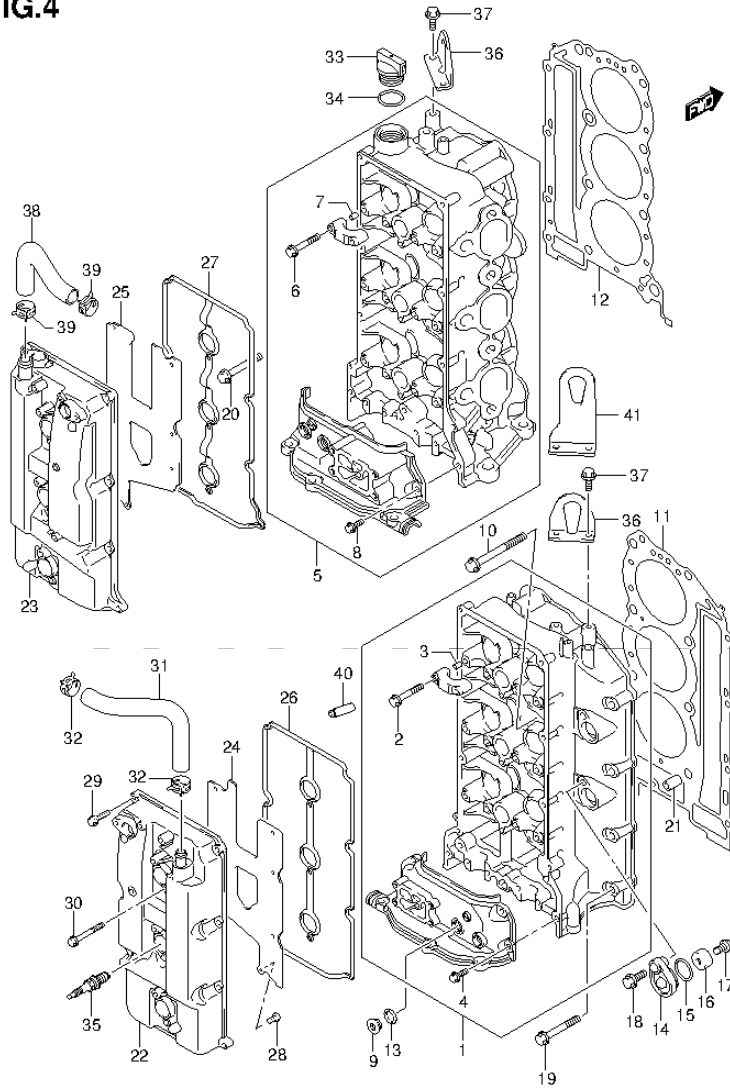


FIG.4 (1-B-8) CYLINDER HEAD (DF200Z E40)

REF NO.	PART NO.	DESCRIPTION	Q'TY	REMARKS
1	11101-93J13	HEAD ASSY, CYLINDER STBD	1	
2	11128-90J00	BOLT, CAM SHAFT HOUSING	16	
3	09206-08001	PIN (8X11)	14	
4	01550-06207	BOLT	4	
5	11103-93J13	HEAD ASSY, CYLINDER PORT	1	
6	11128-90J00	BOLT, CAM SHAFT HOUSING	16	
7	09206-08001	PIN (8X11)	14	
8	01550-06207	BOLT	2	
9	11116-93J01	PLUG	4	
10	11119-93J00	BOLT	16	
11	11141-93J10	GASKET, CYL HEAD STBD	1	
12	11142-93J10	GASKET, CYL HEAD PORT	1	
13	09168-16009	GASKET (16X22X0.8)	4	
14	11261-93J00	COVER, PROTECTION ANODE	4	
15	09280-22019	O RING (D:1.9,ID:21.8)	4	
16	55321-87J00	ANODE, PROTECTION	4	
17	09103-06281	BOLT (6X14)	4	
18	01550-08207	BOLT	4	
19	01550-08607	BOLT	5	STBD
20	01550-08607	BOLT	4	PORT
21	09206-14004	PIN (14X11.4X23)	4	
22	11170-93J01	COVER, CYL HEAD STBD	1	
23	11180-93J02	COVER, CYLINDER HEAD PORT	1	
24	11173-93J00	PLATE, BREATHER STBD	1	
25	11183-93J00	PLATE, BREATHER PORT	1	
26	11179-93J00	GASKET, CYL HEAD COVER STBD	1	
27	11189-93J00	GASKET, CYL HEAD COVER PORT	1	
28	02112-0612A	SCREW	14	
29	01547-06257	BOLT	16	
30	01547-06507	BOLT	6	
31	11174-93J00	HOSE, BREATHER	1	
32	09401-18410	CLIP	2	
33	11382-93J00	CAP, OIL FILLER	1	
34	09280-26006	O RING (D:3.1,ID:26.4)	1	

FIG.4

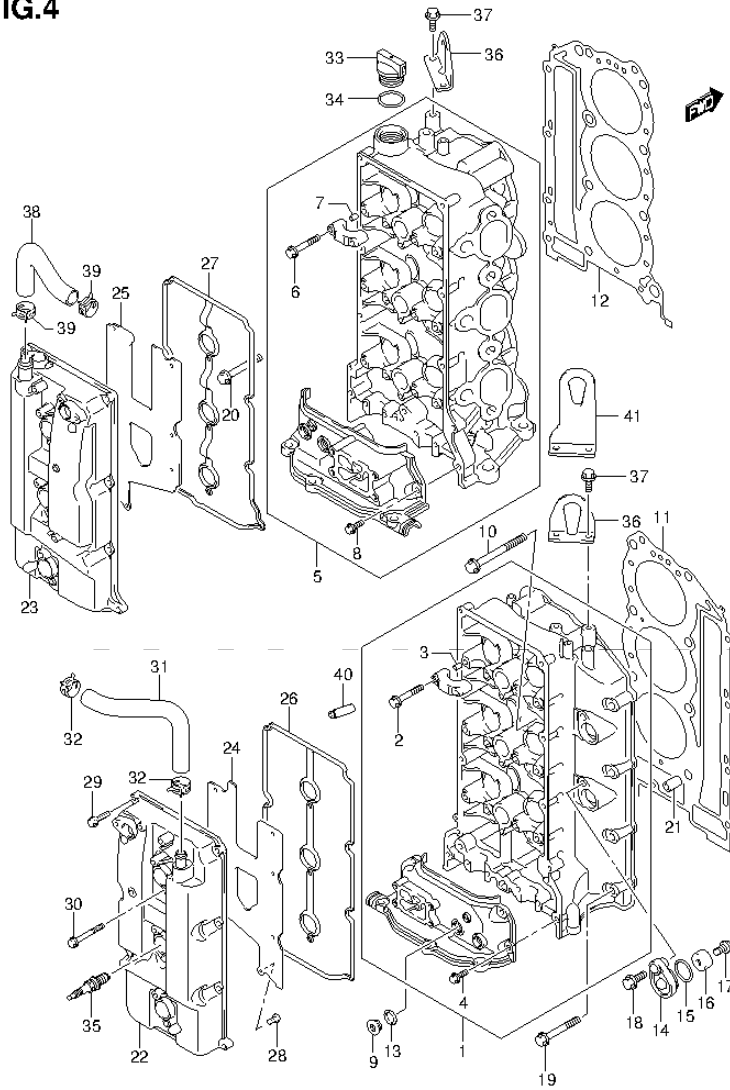


FIG.4 (1-B-9) CYLINDER HEAD (DF200Z E40)

REF NO.	PART NO.	DESCRIPTION	Q'TY	REMARKS
35	09482-00427	SPARK PLUG (NGK, BKR6E)	6	
36	11291-93J00	HOOK, ENGINE	2	
37	01550-08207	BOLT	4	
38	11184-93J00	HOSE, BREATHER	1	
39	09401-18410	CLIP	2	
40	11115-93J10-001	GUIDE, VALVE OS	24	OPT
41	11291-98J00	HOOK, ENGINE	1	OPT

FIG.5

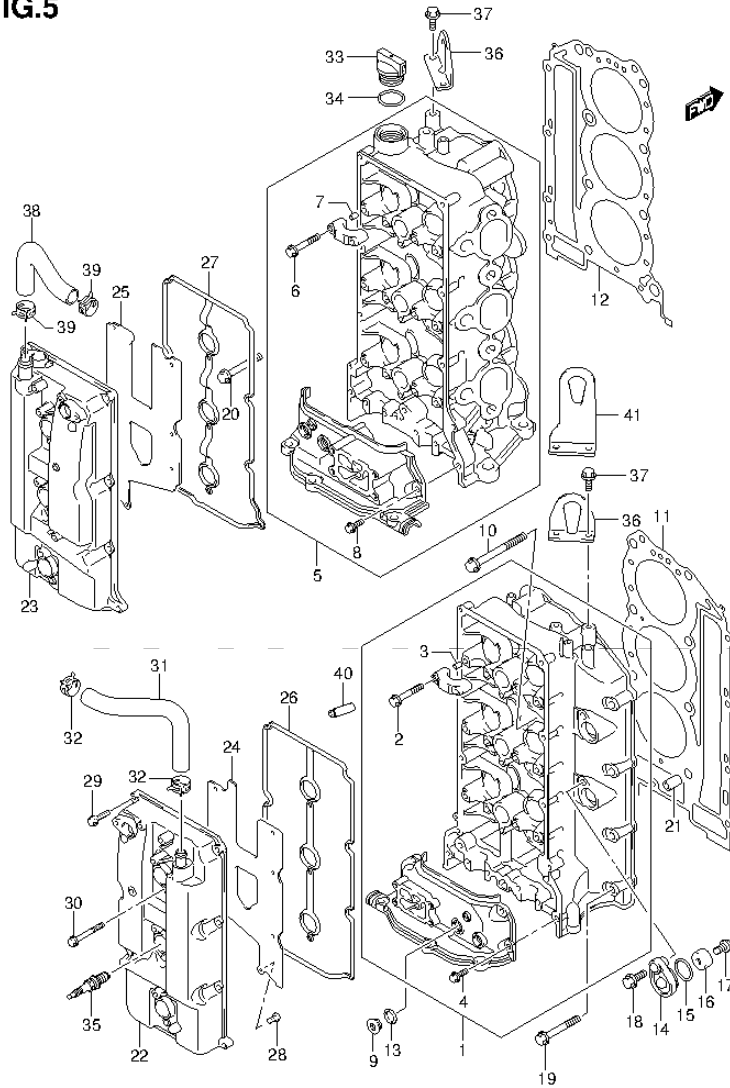


FIG.5 (1-B-10) CYLINDER HEAD (DF225T E1)

REF NO.	PART NO.	DESCRIPTION	Q'TY	REMARKS
1	11101-93J13	HEAD ASSY, CYLINDER STBD	1	
2	11128-90J00	BOLT, CAM SHAFT HOUSING	16	
3	09206-08001	PIN (8X11)	14	
4	01550-06207	BOLT	4	
5	11103-93J13	HEAD ASSY, CYLINDER PORT	1	
6	11128-90J00	BOLT, CAM SHAFT HOUSING	16	
7	09206-08001	PIN (8X11)	14	
8	01550-06207	BOLT	2	
9	11116-93J01	PLUG	4	
10	11119-93J00	BOLT	16	
11	11141-93J10	GASKET, CYL HEAD STBD	1	
12	11142-93J10	GASKET, CYL HEAD PORT	1	
13	09168-16009	GASKET (16X22X0.8)	4	
14	11261-93J00	COVER, PROTECTION ANODE	4	
15	09280-22019	O RING (D:1.9,ID:21.8)	4	
16	55321-87J00	ANODE, PROTECTION	4	
17	09103-06281	BOLT (6X14)	4	
18	01550-08207	BOLT	4	
19	01550-08607	BOLT	5	STBD
20	01550-08607	BOLT	4	PORT
21	09206-14004	PIN (14X11.4X23)	4	
22	11170-93J01	COVER, CYL HEAD STBD	1	
23	11180-93J02	COVER, CYLINDER HEAD PORT	1	
24	11173-93J00	PLATE, BREATHER STBD	1	
25	11183-93J00	PLATE, BREATHER PORT	1	
26	11179-93J00	GASKET, CYL HEAD COVER STBD	1	
27	11189-93J00	GASKET, CYL HEAD COVER PORT	1	
28	02112-0612A	SCREW	14	
29	01547-06257	BOLT	16	
30	01547-06507	BOLT	6	
31	11174-93J00	HOSE, BREATHER	1	
32	09401-18410	CLIP	2	
33	11382-93J00	CAP, OIL FILLER	1	
34	09280-26006	O RING (D:3.1,ID:26.4)	1	

FIG.5

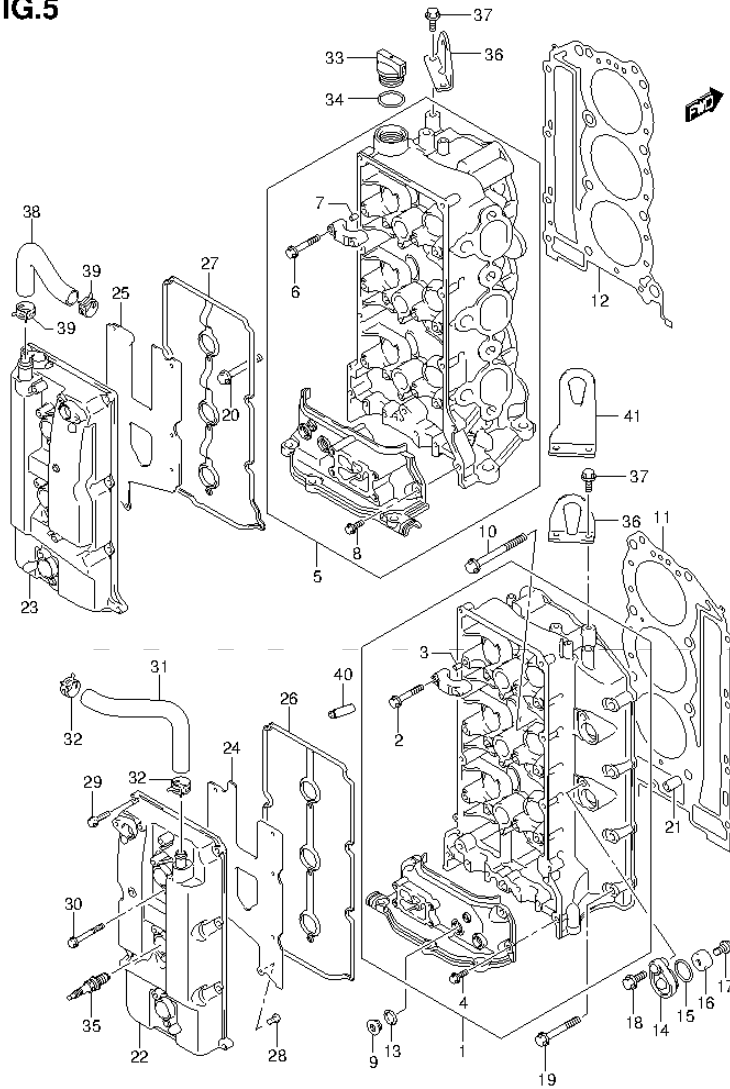


FIG.5 (1-B-11) CYLINDER HEAD (DF225T E1)

REF NO.	PART NO.	DESCRIPTION	Q'TY	REMARKS
35	09482-00427	SPARK PLUG (NGK, BKR6E)	6	
36	11291-93J00	HOOK, ENGINE	2	
37	01550-08207	BOLT	4	
38	11184-93J00	HOSE, BREATHER	1	
39	09401-18410	CLIP	2	
40	11115-93J10-001	GUIDE, VALVE OS	24	OPT
41	11291-98J00	HOOK, ENGINE	1	OPT

FIG.6

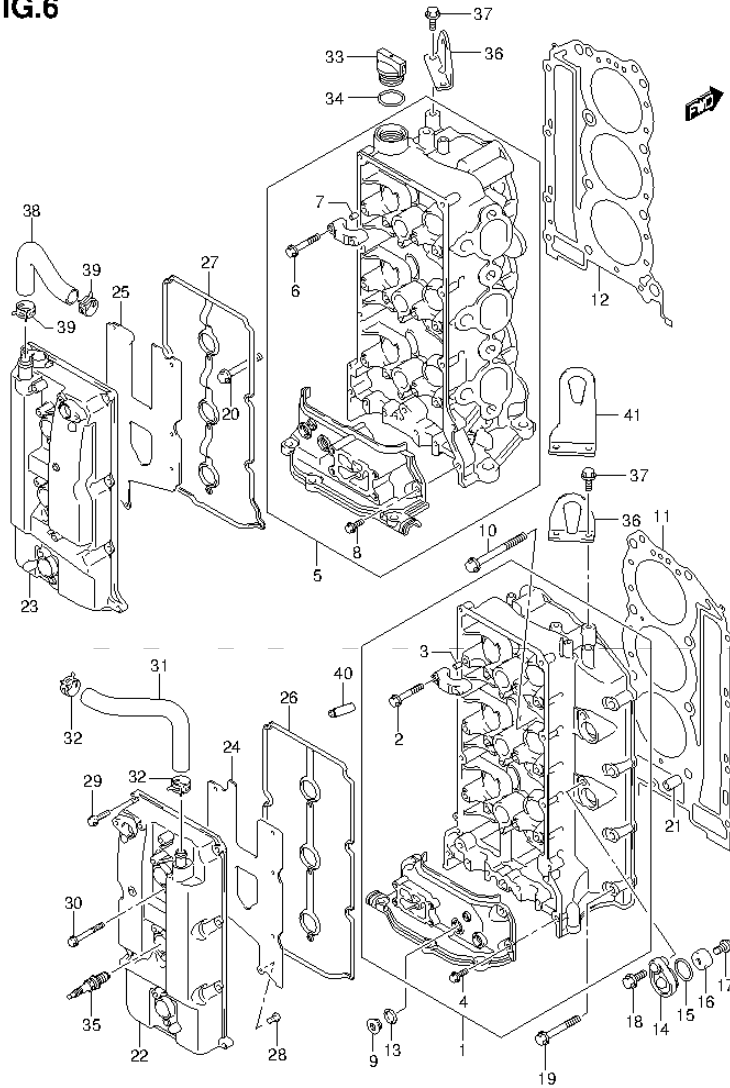


FIG.6 (1-B-12) CYLINDER HEAD (DF225T E40)

REF NO.	PART NO.	DESCRIPTION	Q'TY	REMARKS
1	11101-93J13	HEAD ASSY, CYLINDER STBD	1	
2	11128-90J00	BOLT, CAM SHAFT HOUSING	16	
3	09206-08001	PIN (8X11)	14	
4	01550-06207	BOLT	4	
5	11103-93J13	HEAD ASSY, CYLINDER PORT	1	
6	11128-90J00	BOLT, CAM SHAFT HOUSING	16	
7	09206-08001	PIN (8X11)	14	
8	01550-06207	BOLT	2	
9	11116-93J01	PLUG	4	
10	11119-93J00	BOLT	16	
11	11141-93J10	GASKET, CYL HEAD STBD	1	
12	11142-93J10	GASKET, CYL HEAD PORT	1	
13	09168-16009	GASKET (16X22X0.8)	4	
14	11261-93J00	COVER, PROTECTION ANODE	4	
15	09280-22019	O RING (D:1.9,ID:21.8)	4	
16	55321-87J00	ANODE, PROTECTION	4	
17	09103-06281	BOLT (6X14)	4	
18	01550-08207	BOLT	4	
19	01550-08607	BOLT	5	STBD
20	01550-08607	BOLT	4	PORT
21	09206-14004	PIN (14X11.4X23)	4	
22	11170-93J01	COVER, CYL HEAD STBD	1	
23	11180-93J02	COVER, CYLINDER HEAD PORT	1	
24	11173-93J00	PLATE, BREATHER STBD	1	
25	11183-93J00	PLATE, BREATHER PORT	1	
26	11179-93J00	GASKET, CYL HEAD COVER STBD	1	
27	11189-93J00	GASKET, CYL HEAD COVER PORT	1	
28	02112-0612A	SCREW	14	
29	01547-06257	BOLT	16	
30	01547-06507	BOLT	6	
31	11174-93J00	HOSE, BREATHER	1	
32	09401-18410	CLIP	2	
33	11382-93J00	CAP, OIL FILLER	1	
34	09280-26006	O RING (D:3.1,ID:26.4)	1	

FIG.6

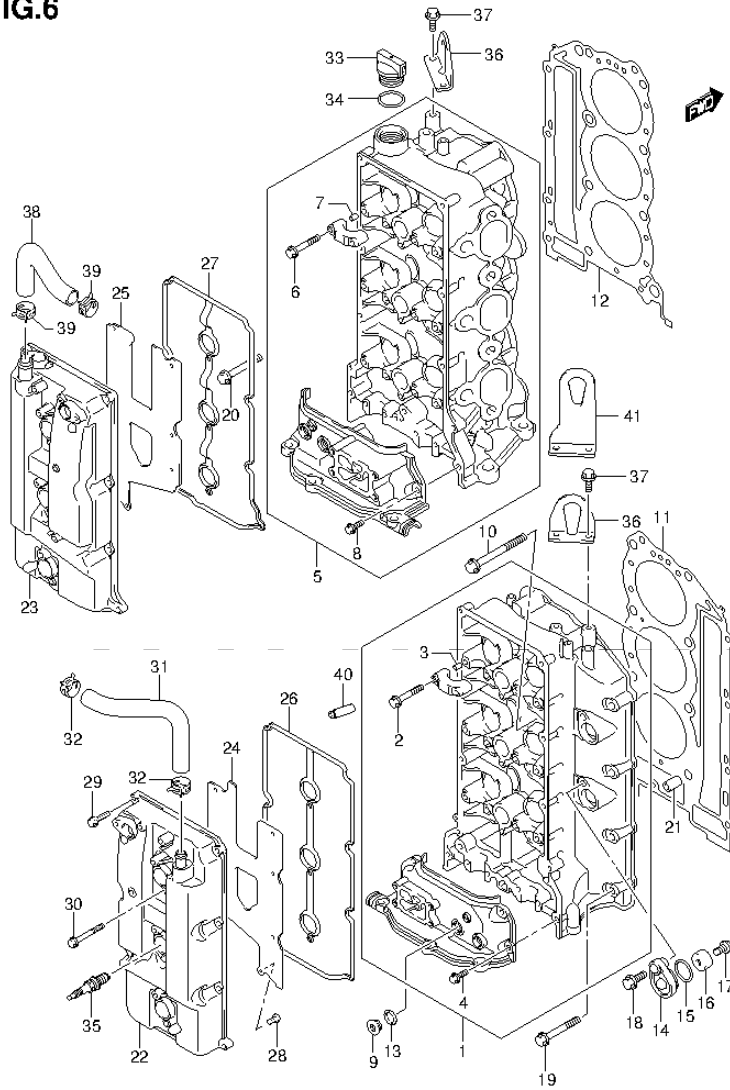


FIG.6 (1-B-13) CYLINDER HEAD (DF225T E40)

REF NO.	PART NO.	DESCRIPTION	Q'TY	REMARKS
35	09482-00427	SPARK PLUG (NGK, BKR6E)	6	
36	11291-93J00	HOOK, ENGINE	2	
37	01550-08207	BOLT	4	
38	11184-93J00	HOSE, BREATHER	1	
39	09401-18410	CLIP	2	
40	11115-93J10-001	GUIDE, VALVE OS	24	OPT
41	11291-98J00	HOOK, ENGINE	1	OPT

FIG.7

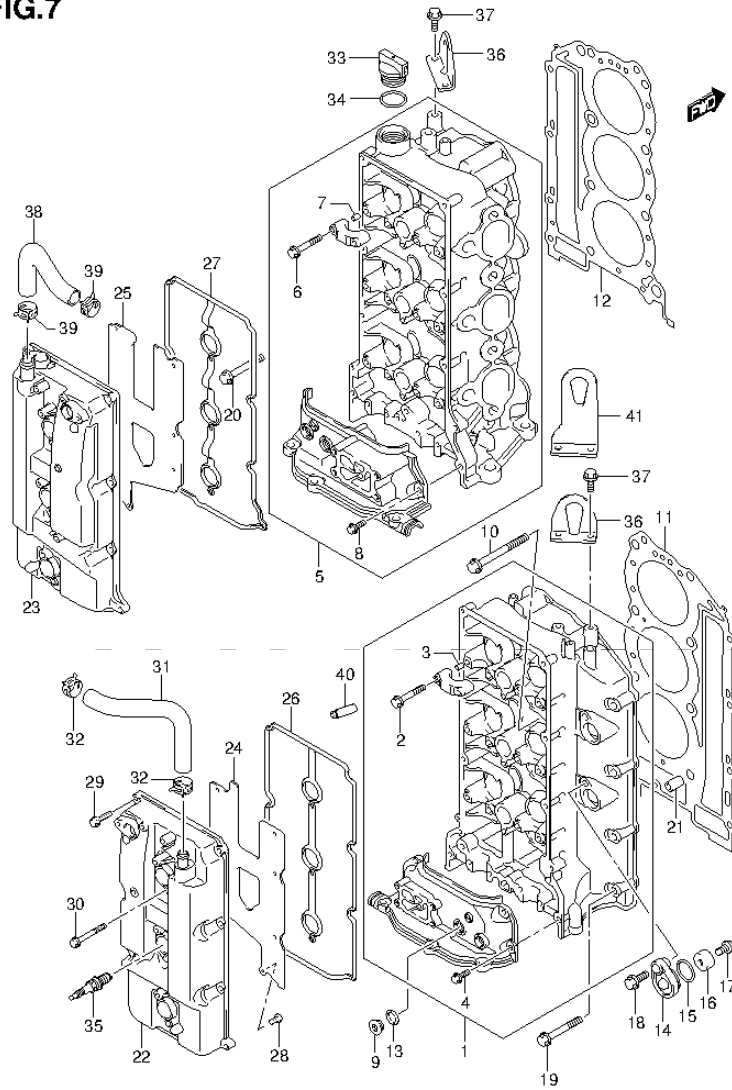


FIG.7 (1-B-14) CYLINDER HEAD (DF225Z E1)

REF NO.	PART NO.	DESCRIPTION	Q'TY	REMARKS
1	11101-93J13	HEAD ASSY, CYLINDER STBD	1	
2	11128-90J00	BOLT, CAM SHAFT HOUSING	16	
3	09206-08001	PIN (8X11)	14	
4	01550-06207	BOLT	4	
5	11103-93J13	HEAD ASSY, CYLINDER PORT	1	
6	11128-90J00	BOLT, CAM SHAFT HOUSING	16	
7	09206-08001	PIN (8X11)	14	
8	01550-06207	BOLT	2	
9	11116-93J01	PLUG	4	
10	11119-93J00	BOLT	16	
11	11141-93J10	GASKET, CYL HEAD STBD	1	
12	11142-93J10	GASKET, CYL HEAD PORT	1	
13	09168-16009	GASKET (16X22X0.8)	4	
14	11261-93J00	COVER, PROTECTION ANODE	4	
15	09280-22019	O RING (D:1.9,ID:21.8)	4	
16	55321-87J00	ANODE, PROTECTION	4	
17	09103-06281	BOLT (6X14)	4	
18	01550-08207	BOLT	4	
19	01550-08607	BOLT	5	STBD
20	01550-08607	BOLT	4	PORT
21	09206-14004	PIN (14X11.4X23)	4	
22	11170-93J01	COVER, CYL HEAD STBD	1	
23	11180-93J02	COVER, CYLINDER HEAD PORT	1	
24	11173-93J00	PLATE, BREATHER STBD	1	
25	11183-93J00	PLATE, BREATHER PORT	1	
26	11179-93J00	GASKET, CYL HEAD COVER STBD	1	
27	11189-93J00	GASKET, CYL HEAD COVER PORT	1	
28	02112-0612A	SCREW	14	
29	01547-06257	BOLT	16	
30	01547-06507	BOLT	6	
31	11174-93J00	HOSE, BREATHER	1	
32	09401-18410	CLIP	2	
33	11382-93J00	CAP, OIL FILLER	1	
34	09280-26006	O RING (D:3.1,ID:26.4)	1	

FIG.7

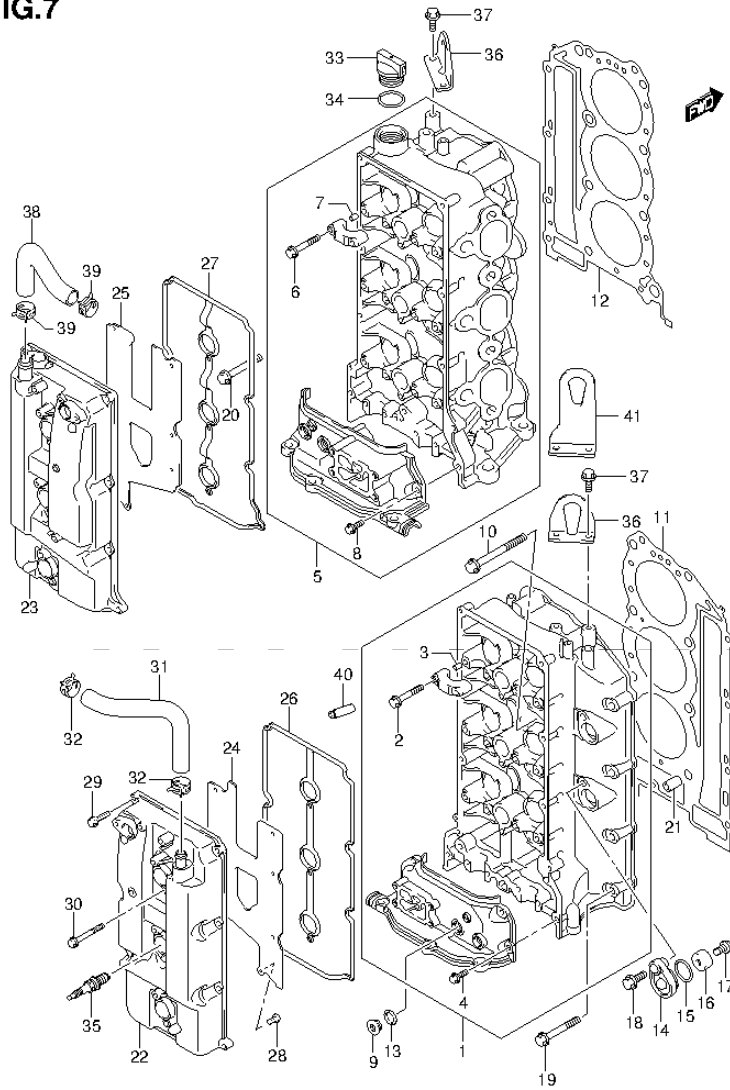


FIG.7 (1-B-15) CYLINDER HEAD (DF225Z E1)

REF NO.	PART NO.	DESCRIPTION	Q'TY	REMARKS
35	09482-00427	SPARK PLUG (NGK, BKR6E)	6	
36	11291-93J00	HOOK, ENGINE	2	
37	01550-08207	BOLT	4	
38	11184-93J00	HOSE, BREATHER	1	
39	09401-18410	CLIP	2	
40	11115-93J10-001	GUIDE, VALVE OS	24	OPT
41	11291-98J00	HOOK, ENGINE	1	OPT

FIG.8

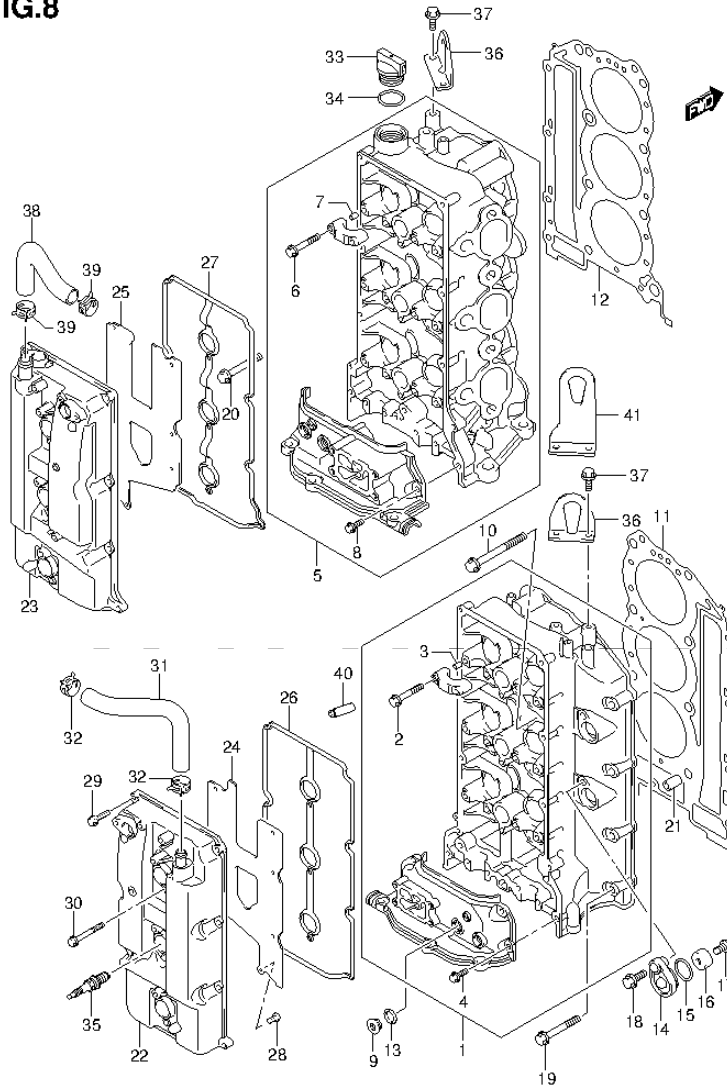


FIG.8 (1-C-2) CYLINDER HEAD (DF225Z E40)

REF NO.	PART NO.	DESCRIPTION	Q'TY	REMARKS
1	11101-93J13	HEAD ASSY, CYLINDER STBD	1	
2	11128-90J00	BOLT, CAM SHAFT HOUSING	16	
3	09206-08001	PIN (8X11)	14	
4	01550-06207	BOLT	4	
5	11103-93J13	HEAD ASSY, CYLINDER PORT	1	
6	11128-90J00	BOLT, CAM SHAFT HOUSING	16	
7	09206-08001	PIN (8X11)	14	
8	01550-06207	BOLT	2	
9	11116-93J01	PLUG	4	
10	11119-93J00	BOLT	16	
11	11141-93J10	GASKET, CYL HEAD STBD	1	
12	11142-93J10	GASKET, CYL HEAD PORT	1	
13	09168-16009	GASKET (16X22X0.8)	4	
14	11261-93J00	COVER, PROTECTION ANODE	4	
15	09280-22019	O RING (D:1.9,ID:21.8)	4	
16	55321-87J00	ANODE, PROTECTION	4	
17	09103-06281	BOLT (6X14)	4	
18	01550-08207	BOLT	4	
19	01550-08607	BOLT	5	STBD
20	01550-08607	BOLT	4	PORT
21	09206-14004	PIN (14X11.4X23)	4	
22	11170-93J01	COVER, CYL HEAD STBD	1	
23	11180-93J02	COVER, CYLINDER HEAD PORT	1	
24	11173-93J00	PLATE, BREATHER STBD	1	
25	11183-93J00	PLATE, BREATHER PORT	1	
26	11179-93J00	GASKET, CYL HEAD COVER STBD	1	
27	11189-93J00	GASKET, CYL HEAD COVER PORT	1	
28	02112-0612A	SCREW	14	
29	01547-06257	BOLT	16	
30	01547-06507	BOLT	6	
31	11174-93J00	HOSE, BREATHER	1	
32	09401-18410	CLIP	2	
33	11382-93J00	CAP, OIL FILLER	1	
34	09280-26006	O RING (D:3.1,ID:26.4)	1	

FIG.8

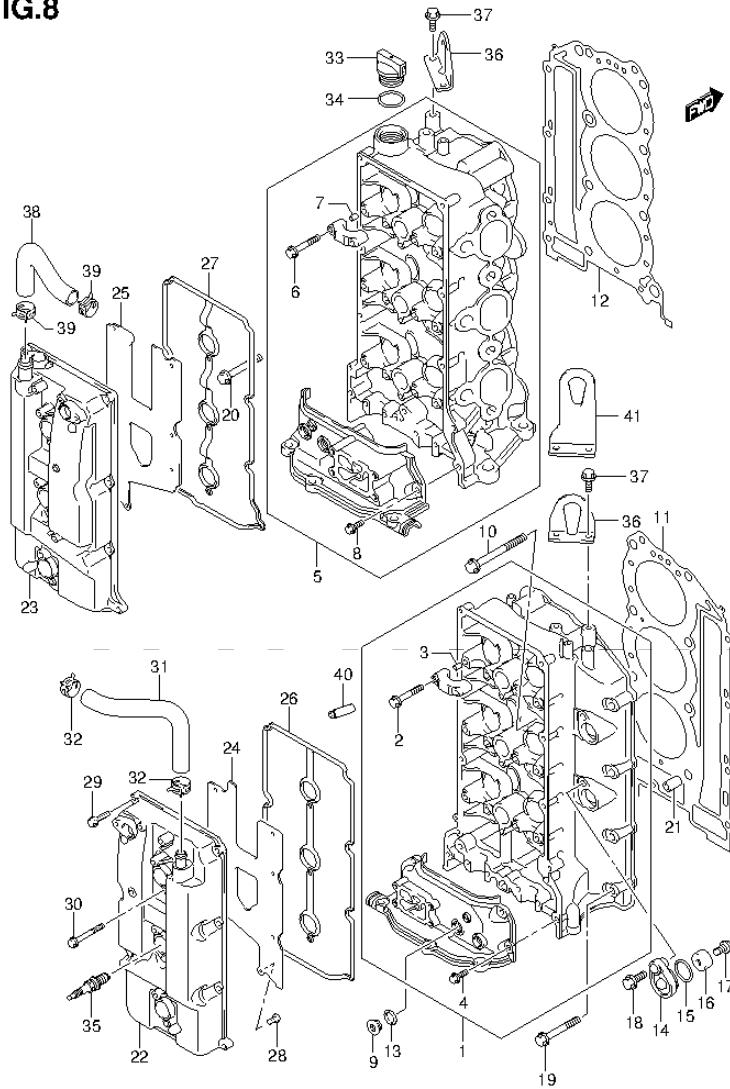


FIG.8 (1-C-3) CYLINDER HEAD (DF225Z E40)

REF NO.	PART NO.	DESCRIPTION	Q'TY	REMARKS
35	09482-00427	SPARK PLUG (NGK, BKR6E)	6	
36	11291-93J00	HOOK, ENGINE	2	
37	01550-08207	BOLT	4	
38	11184-93J00	HOSE, BREATHER	1	
39	09401-18410	CLIP	2	
40	11115-93J10-001	GUIDE, VALVE OS	24	OPT
41	11291-98J00	HOOK, ENGINE	1	OPT

FIG.9

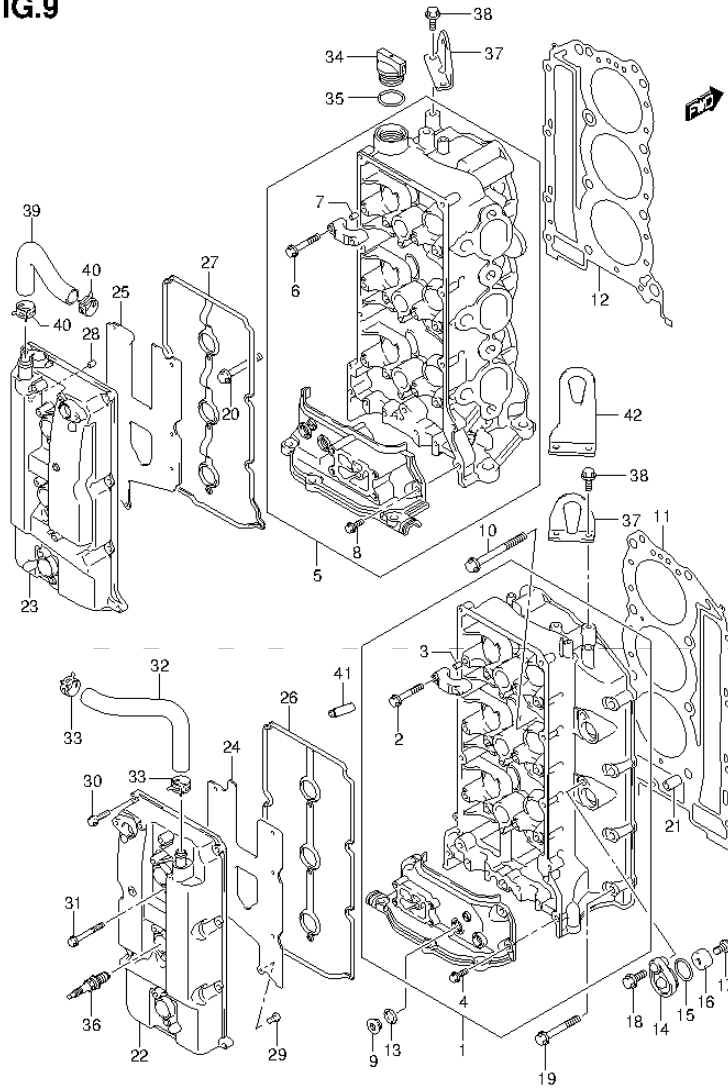


FIG.9 (1-C-4) CYLINDER HEAD (DF250T E1)

REF NO.	PART NO.	DESCRIPTION	Q'TY	REMARKS
1	11101-93J13	HEAD ASSY, CYLINDER STBD	1	
2	11128-90J00	BOLT, CAM SHAFT HOUSING	16	
3	09206-08001	PIN (8X11)	14	
4	01550-06207	BOLT	4	
5	11103-93J13	HEAD ASSY, CYLINDER PORT	1	
6	11128-90J00	BOLT, CAM SHAFT HOUSING	16	
7	09206-08001	PIN (8X11)	14	
8	01550-06207	BOLT	2	
9	11116-93J01	PLUG	4	
10	11119-93J00	BOLT	16	
11	11141-93J10	GASKET, CYL HEAD STBD	1	
12	11142-93J10	GASKET, CYL HEAD PORT	1	
13	09168-16009	GASKET (16X22X0.8)	4	
14	11261-93J00	COVER, PROTECTION ANODE	4	
15	09280-22019	O RING (D:1.9,ID:21.8)	4	
16	55321-87J00	ANODE, PROTECTION	4	
17	09103-06281	BOLT (6X14)	4	
18	01550-08207	BOLT	4	
19	01550-08607	BOLT	5	STBD
20	01550-08607	BOLT	4	PORT
21	09206-14004	PIN (14X11.4X23)	4	
22	11170-93J01	COVER, CYL HEAD STBD	1	
23	11180-93J22	COVER, CYLINDER HEAD PORT	1	
24	11173-93J00	PLATE, BREATHER STBD	1	
25	11183-93J00	PLATE, BREATHER PORT	1	
26	11179-93J00	GASKET, CYL HEAD COVER STBD	1	
27	11189-93J00	GASKET, CYL HEAD COVER PORT	1	
28	09206-08001	PIN (8X11)	1	
29	02112-0612A	SCREW	14	
30	01547-06257	BOLT	16	
31	01547-06507	BOLT	6	
32	11174-93J00	HOSE, BREATHER	1	
33	09401-18410	CLIP	2	
34	11382-93J00	CAP, OIL FILLER	1	

FIG.9

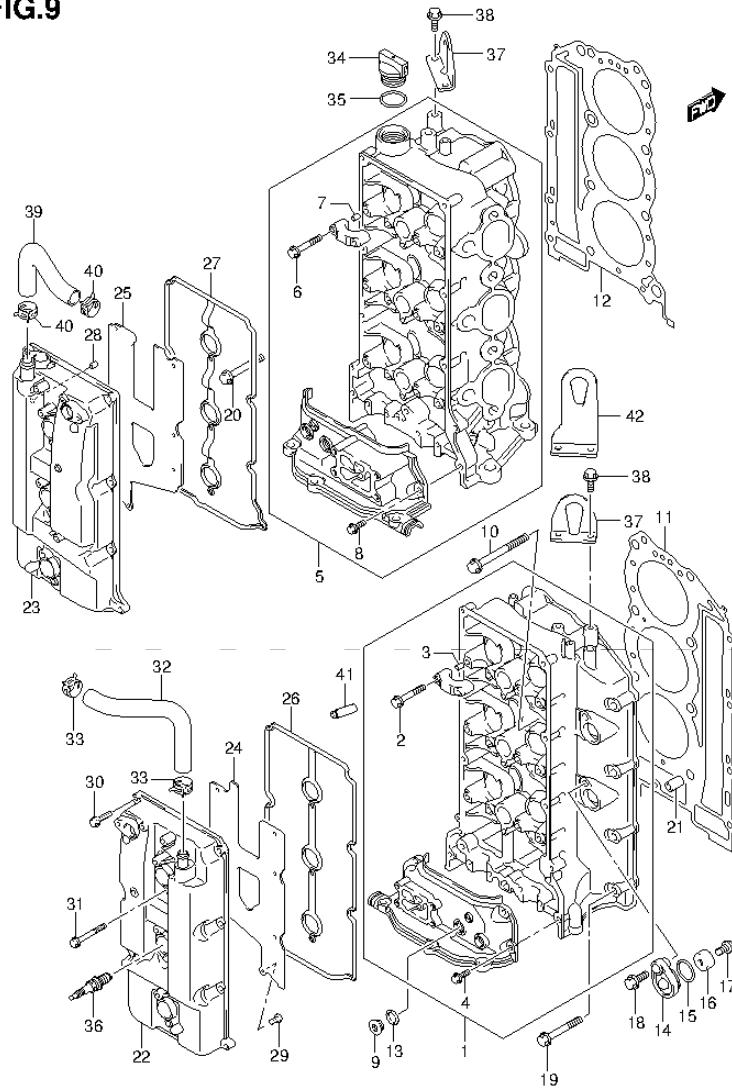


FIG.9 (1-C-5) CYLINDER HEAD (DF250T E1)

REF NO.	PART NO.	DESCRIPTION	Q'TY	REMARKS
35	09280-26006	O RING (D:3.1, ID:26.4)	1	
36	09482-00427	SPARK PLUG (NGK, BKR6E)	6	
37	11291-93J00	HOOK, ENGINE	2	
38	01550-08207	BOLT	4	
39	11184-93J00	HOSE, BREATHER	1	
40	09401-18410	CLIP	2	
41	11115-93J10-001	GUIDE, VALVE OS	24	OPT
42	11291-98J00	HOOK, ENGINE	1	OPT

FIG.10

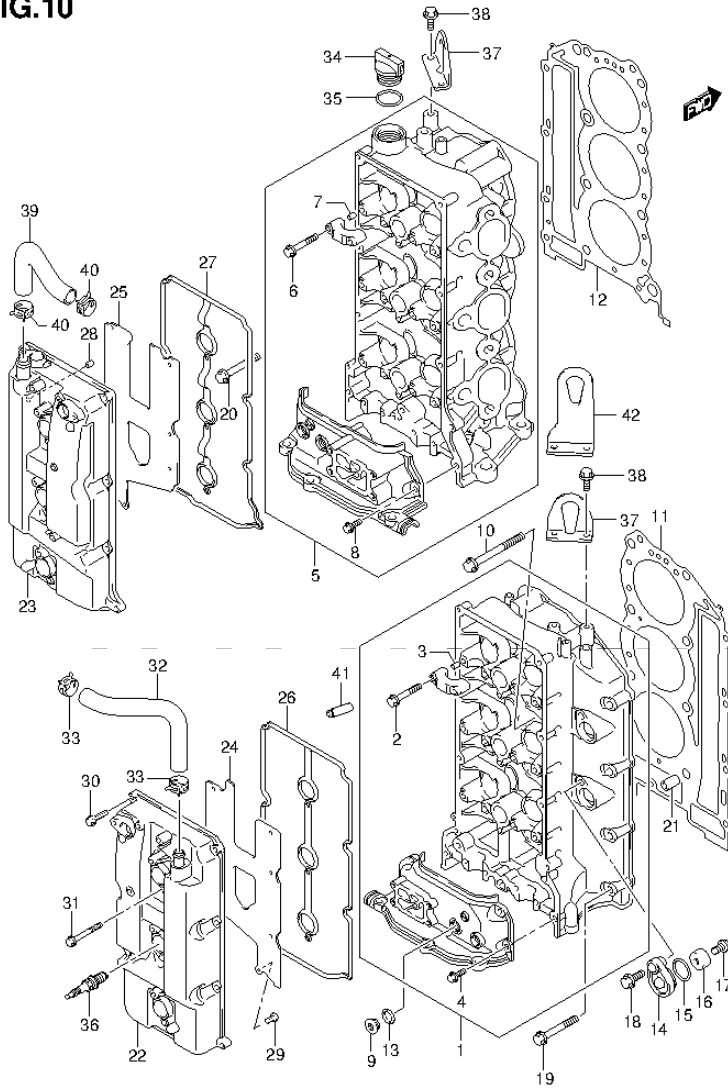


FIG.10 (1-C-6) CYLINDER HEAD (DF250T E40)

REF NO.	PART NO.	DESCRIPTION	Q'TY	REMARKS
1	11101-93J13	HEAD ASSY, CYLINDER STBD	1	
2	11128-90J00	BOLT, CAM SHAFT HOUSING	16	
3	09206-08001	PIN (8X11)	14	
4	01550-06207	BOLT	4	
5	11103-93J13	HEAD ASSY, CYLINDER PORT	1	
6	11128-90J00	BOLT, CAM SHAFT HOUSING	16	
7	09206-08001	PIN (8X11)	14	
8	01550-06207	BOLT	2	
9	11116-93J01	PLUG	4	
10	11119-93J00	BOLT	16	
11	11141-93J10	GASKET, CYL HEAD STBD	1	
12	11142-93J10	GASKET, CYL HEAD PORT	1	
13	09168-16009	GASKET (16X22X0.8)	4	
14	11261-93J00	COVER, PROTECTION ANODE	4	
15	09280-22019	O RING (D:1.9,ID:21.8)	4	
16	55321-87J00	ANODE, PROTECTION	4	
17	09103-06281	BOLT (6X14)	4	
18	01550-08207	BOLT	4	
19	01550-08607	BOLT	5	STBD
20	01550-08607	BOLT	4	PORT
21	09206-14004	PIN (14X11.4X23)	4	
22	11170-93J01	COVER, CYL HEAD STBD	1	
23	11180-93J22	COVER, CYLINDER HEAD PORT	1	
24	11173-93J00	PLATE, BREATHER STBD	1	
25	11183-93J00	PLATE, BREATHER PORT	1	
26	11179-93J00	GASKET, CYL HEAD COVER STBD	1	
27	11189-93J00	GASKET, CYL HEAD COVER PORT	1	
28	09206-08001	PIN (8X11)	1	
29	02112-0612A	SCREW	14	
30	01547-06257	BOLT	16	
31	01547-06507	BOLT	6	
32	11174-93J00	HOSE, BREATHER	1	
33	09401-18410	CLIP	2	
34	11382-93J00	CAP, OIL FILLER	1	

FIG.10

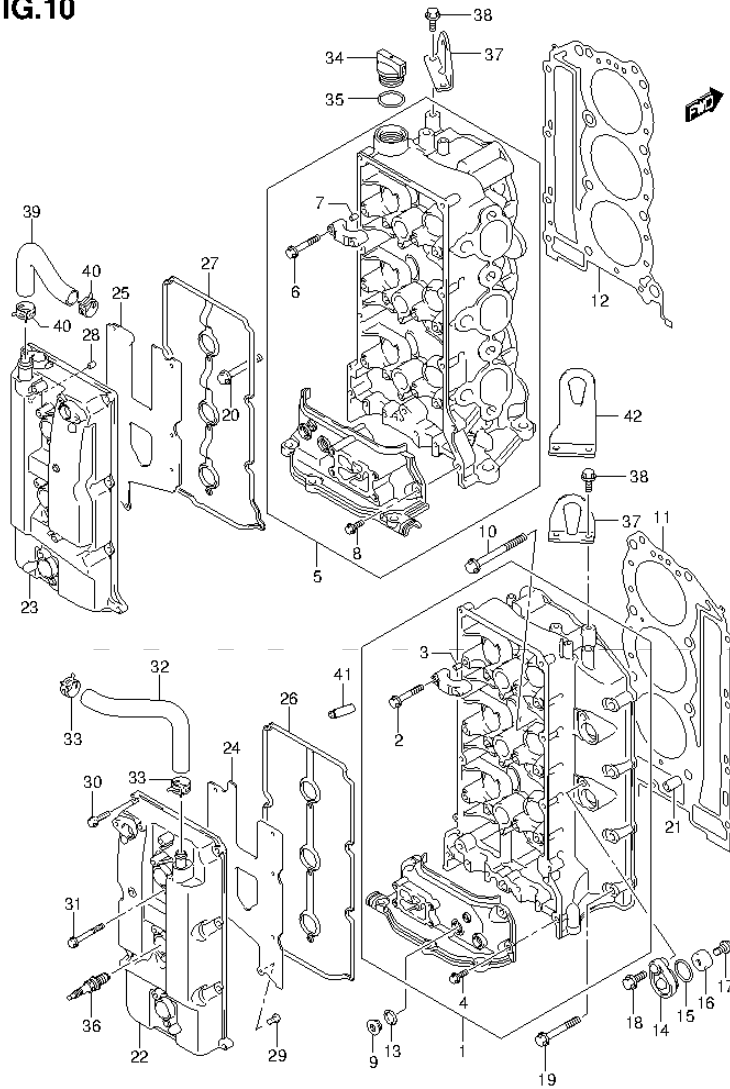


FIG.10 (1-C-7) CYLINDER HEAD (DF250T E40)

REF NO.	PART NO.	DESCRIPTION	Q'TY	REMARKS
35	09280-26006	O RING (D:3.1, ID:26.4)	1	
36	09482-00427	SPARK PLUG (NGK, BKR6E)	6	
37	11291-93J00	HOOK, ENGINE	2	
38	01550-08207	BOLT	4	
39	11184-93J00	HOSE, BREATHER	1	
40	09401-18410	CLIP	2	
41	11115-93J10-001	GUIDE, VALVE OS	24	OPT
42	11291-98J00	HOOK, ENGINE	1	OPT

FIG.11

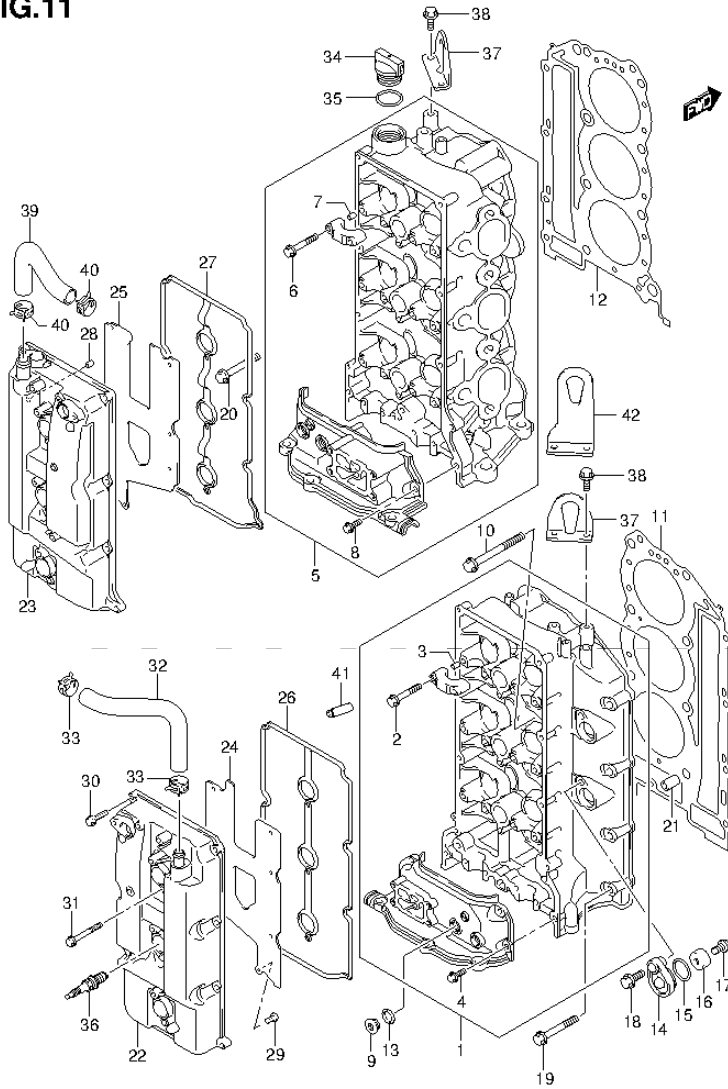


FIG.11 (1-C-8) CYLINDER HEAD (DF250Z E1)

REF NO.	PART NO.	DESCRIPTION	Q'TY	REMARKS
1	11101-93J13	HEAD ASSY, CYLINDER STBD	1	
2	11128-90J00	BOLT, CAM SHAFT HOUSING	16	
3	09206-08001	PIN (8X11)	14	
4	01550-06207	BOLT	4	
5	11103-93J13	HEAD ASSY, CYLINDER PORT	1	
6	11128-90J00	BOLT, CAM SHAFT HOUSING	16	
7	09206-08001	PIN (8X11)	14	
8	01550-06207	BOLT	2	
9	11116-93J01	PLUG	4	
10	11119-93J00	BOLT	16	
11	11141-93J10	GASKET, CYL HEAD STBD	1	
12	11142-93J10	GASKET, CYL HEAD PORT	1	
13	09168-16009	GASKET (16X22X0.8)	4	
14	11261-93J00	COVER, PROTECTION ANODE	4	
15	09280-22019	O RING (D:1.9,ID:21.8)	4	
16	55321-87J00	ANODE, PROTECTION	4	
17	09103-06281	BOLT (6X14)	4	
18	01550-08207	BOLT	4	
19	01550-08607	BOLT	5	STBD
20	01550-08607	BOLT	4	PORT
21	09206-14004	PIN (14X11.4X23)	4	
22	11170-93J01	COVER, CYL HEAD STBD	1	
23	11180-93J22	COVER, CYLINDER HEAD PORT	1	
24	11173-93J00	PLATE, BREATHER STBD	1	
25	11183-93J00	PLATE, BREATHER PORT	1	
26	11179-93J00	GASKET, CYL HEAD COVER STBD	1	
27	11189-93J00	GASKET, CYL HEAD COVER PORT	1	
28	09206-08001	PIN (8X11)	1	
29	02112-0612A	SCREW	14	
30	01547-06257	BOLT	16	
31	01547-06507	BOLT	6	
32	11174-93J00	HOSE, BREATHER	1	
33	09401-18410	CLIP	2	
34	11382-93J00	CAP, OIL FILLER	1	

FIG.11

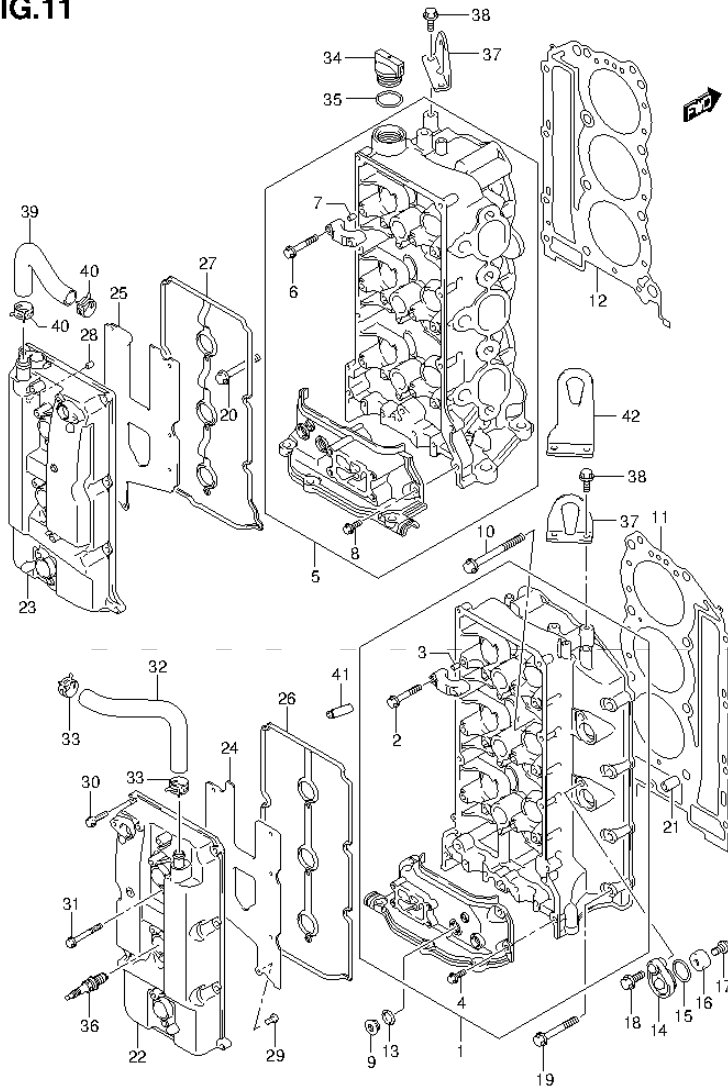


FIG.11 (1-C-9) CYLINDER HEAD (DF250Z E1)

REF NO.	PART NO.	DESCRIPTION	Q'TY	REMARKS
35	09280-26006	O RING (D:3.1, ID:26.4)	1	
36	09482-00427	SPARK PLUG (NGK, BKR6E)	6	
37	11291-93J00	HOOK, ENGINE	2	
38	01550-08207	BOLT	4	
39	11184-93J00	HOSE, BREATHER	1	
40	09401-18410	CLIP	2	
41	11115-93J10-001	GUIDE, VALVE OS	24	OPT
42	11291-98J00	HOOK, ENGINE	1	OPT

FIG.12

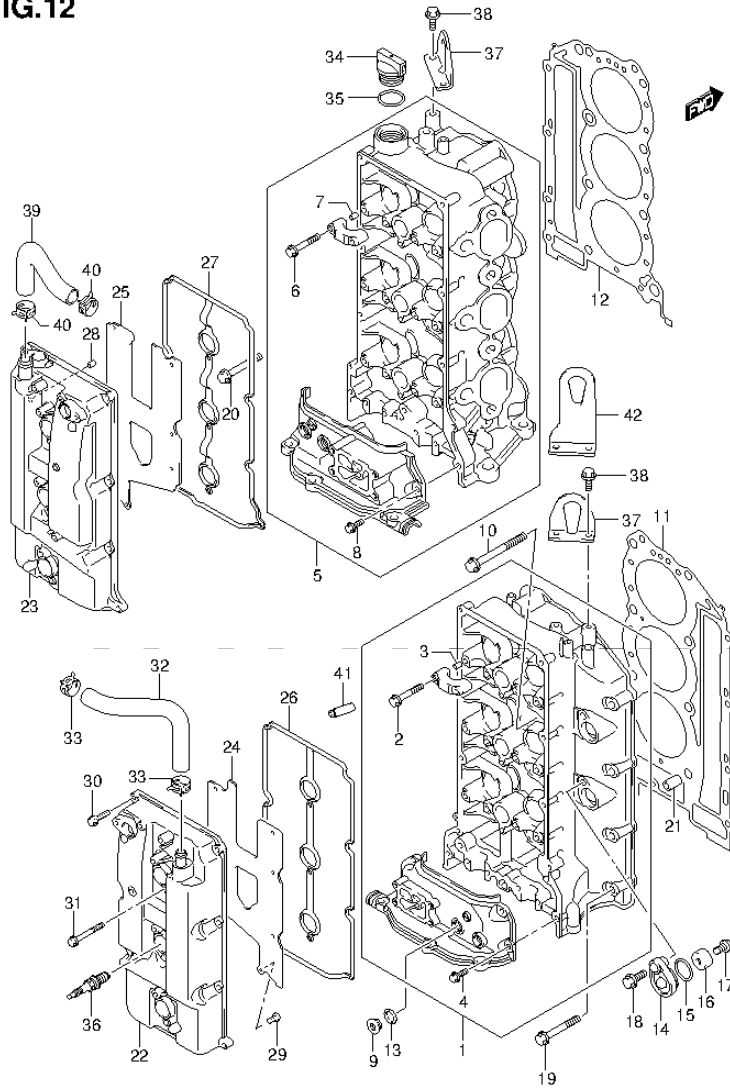


FIG.12 (1-C-10) CYLINDER HEAD (DF250Z E40)

REF NO.	PART NO.	DESCRIPTION	Q'TY	REMARKS
1	11101-93J13	HEAD ASSY, CYLINDER STBD	1	
2	11128-90J00	BOLT, CAM SHAFT HOUSING	16	
3	09206-08001	PIN (8X11)	14	
4	01550-06207	BOLT	4	
5	11103-93J13	HEAD ASSY, CYLINDER PORT	1	
6	11128-90J00	BOLT, CAM SHAFT HOUSING	16	
7	09206-08001	PIN (8X11)	14	
8	01550-06207	BOLT	2	
9	11116-93J01	PLUG	4	
10	11119-93J00	BOLT	16	
11	11141-93J10	GASKET, CYL HEAD STBD	1	
12	11142-93J10	GASKET, CYL HEAD PORT	1	
13	09168-16009	GASKET (16X22X0.8)	4	
14	11261-93J00	COVER, PROTECTION ANODE	4	
15	09280-22019	O RING (D:1.9,ID:21.8)	4	
16	55321-87J00	ANODE, PROTECTION	4	
17	09103-06281	BOLT (6X14)	4	
18	01550-08207	BOLT	4	
19	01550-08607	BOLT	5	STBD
20	01550-08607	BOLT	4	PORT
21	09206-14004	PIN (14X11.4X23)	4	
22	11170-93J01	COVER, CYL HEAD STBD	1	
23	11180-93J22	COVER, CYLINDER HEAD PORT	1	
24	11173-93J00	PLATE, BREATHER STBD	1	
25	11183-93J00	PLATE, BREATHER PORT	1	
26	11179-93J00	GASKET, CYL HEAD COVER STBD	1	
27	11189-93J00	GASKET, CYL HEAD COVER PORT	1	
28	09206-08001	PIN (8X11)	1	
29	02112-0612A	SCREW	14	
30	01547-06257	BOLT	16	
31	01547-06507	BOLT	6	
32	11174-93J00	HOSE, BREATHER	1	
33	09401-18410	CLIP	2	
34	11382-93J00	CAP, OIL FILLER	1	

FIG.12

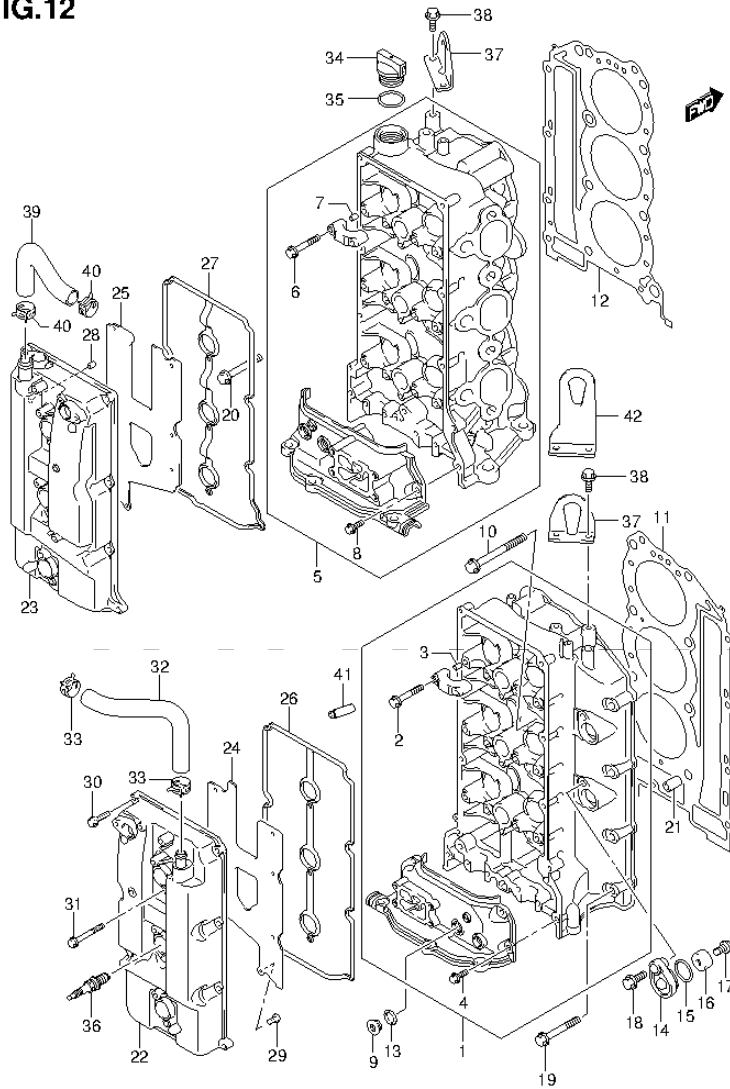


FIG.12 (1-C-11) CYLINDER HEAD (DF250Z E40)

REF NO.	PART NO.	DESCRIPTION	Q'TY	REMARKS
35	09280-26006	O RING (D:3.1, ID:26.4)	1	
36	09482-00427	SPARK PLUG (NGK, BKR6E)	6	
37	11291-93J00	HOOK, ENGINE	2	
38	01550-08207	BOLT	4	
39	11184-93J00	HOSE, BREATHER	1	
40	09401-18410	CLIP	2	
41	11115-93J10-001	GUIDE, VALVE OS	24	OPT
42	11291-98J00	HOOK, ENGINE	1	OPT

FIG.13

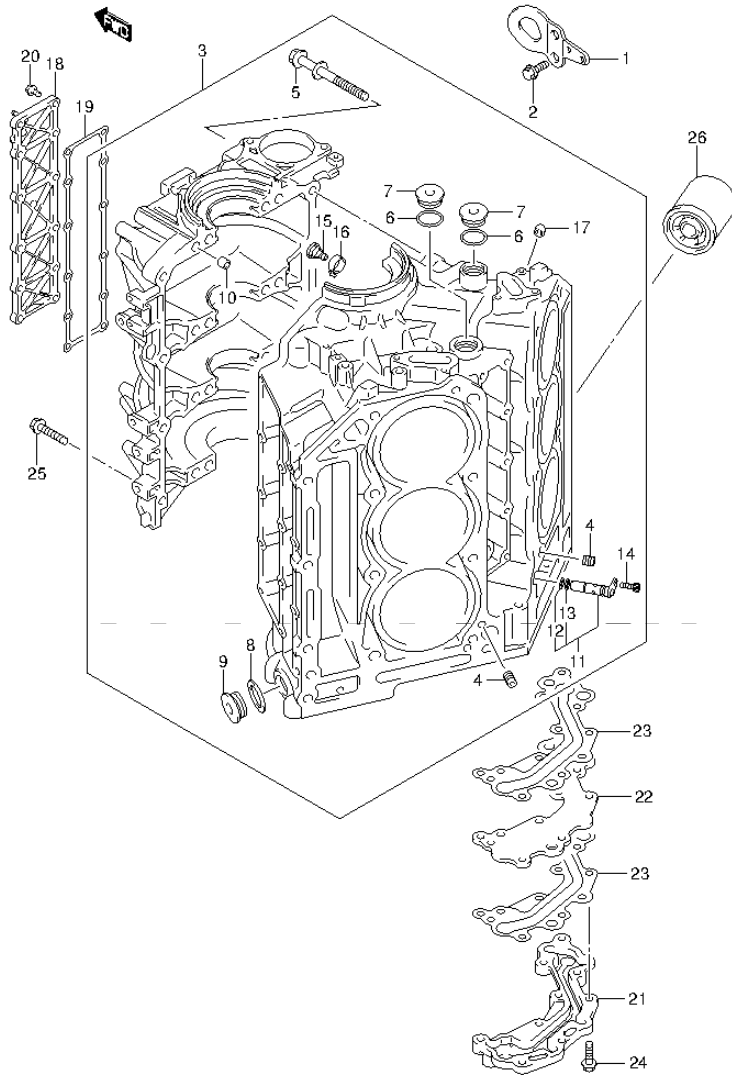


FIG.13 (1-C-12) CYLINDER BLOCK

REF NO.	PART NO.	DESCRIPTION	Q'TY	REMARKS
1	11293-98J00	HOOK, ENGINE	1	
2	01550-08207	BOLT	2	
3	11301-93J11	BLOCK SET, CYLINDER	1	
4	11112-93J00	PLUG, OIL VENTURI	2	
5	11117-93J10	BOLT, CRANKCASE	16	
6	11217-85FA0	GASKET, M26 PLUG	3	
7	09248-26001	PLUG (26X11)	3	
8	09160-18031	WASHER (18.5X28X2.6)	2	
9	09248-18006	PLUG (18X8)	2	
10	09206-13019	PIN (10.4X13X16)	5	
11	16700-93J00	VALVE, PISTON JET	1	
12	09280-10009	O RING (D:1.3,ID:9.8)	1	
13	09280-10016	O RING (D:1.9,ID:9.8)	1	
14	07130-0616A	BOLT	1	
15	16712-93J00	BOLT, PISTON COOLING JET	6	
16	16721-93J00	JET, PISTON COOLING	6	
17	09246-05006	PLUG	1	
18	11330-93J01	COVER, CRANKCASE WTR JKT	1	
19	11332-93J00	GASKET, WTR JKT COVER	1	
20	01550-06207	BOLT	12	
21	16430-93J00	COVER, OIL GALLERY	1	
22	16431-93J00	PLATE, OIL GALLERY	1	
23	16433-93J00	GASKET, OIL GALLERY	2	
24	01550-0835A	BOLT	9	
25	01550-08457	BOLT	8	
26	16510-96J00	FILTER ASSY, OIL	1	

FIG.14

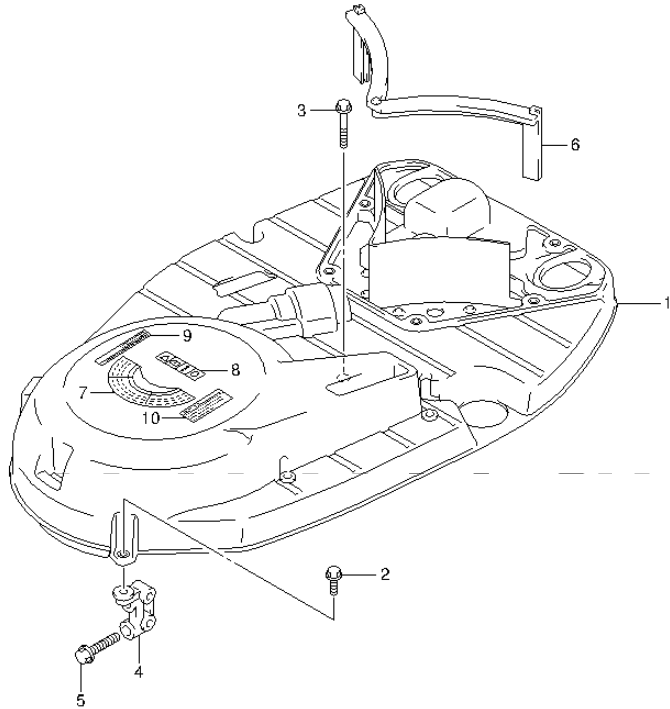


FIG.14 (1-C-13) RING GEAR COVER (DF200T E1)

REF NO.	PART NO.	DESCRIPTION	Q'TY	REMARKS
1	11510-93J03	COVER, RING GEAR	1	
2	01550-06207	BOLT	2	
3	01550-06407	BOLT	1	
4	11515-93J00	BRACE, RING GEAR COVER	1	
5	01550-08357	BOLT	2	
6	11516-93J00	FLAP, RING GEAR COVER	1	
7	61472-93E40	LABEL, MAG COVER	1	
8	69711-93E10	LABEL, CAUTION (S.I.G.P.)	1	
9	61493-93J00	LABEL, CLEARANCE	1	
10	61494-96J00	LABEL, OIL	1	



FIG.15

FIG.15 (1-C-14) RING GEAR COVER (DF200T E40)

REF NO.	PART NO.	DESCRIPTION	Q'TY	REMARKS
1	11510-93J03	COVER, RING GEAR	1	
2	01550-06207	BOLT	2	
3	01550-06407	BOLT	1	
4	11515-93J00	BRACE, RING GEAR COVER	1	
5	01550-08357	BOLT	2	
6	11516-93J00	FLAP, RING GEAR COVER	1	
7	61472-93E32	LABEL, MAG COVER	1	
8	69711-93E10	LABEL, CAUTION (S.I.G.P.)	1	
9	61493-93J00	LABEL, CLEARANCE	1	
10	61494-96J00	LABEL, OIL	1	

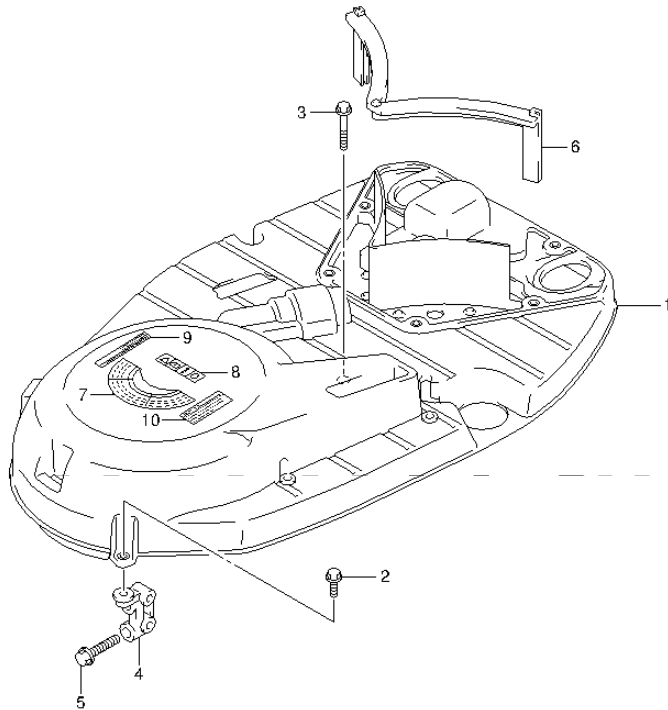


FIG.16

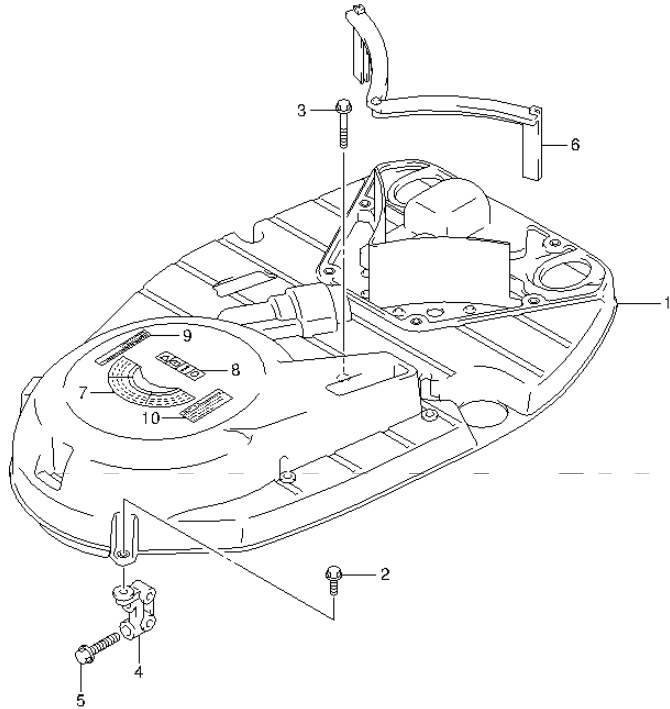


FIG.16 (1-C-15) RING GEAR COVER (DF200Z E1)

REF NO.	PART NO.	DESCRIPTION	Q'TY	REMARKS
1	11510-93J03	COVER, RING GEAR	1	
2	01550-06207	BOLT	2	
3	01550-06407	BOLT	1	
4	11515-93J00	BRACE, RING GEAR COVER	1	
5	01550-08357	BOLT	2	
6	11516-93J00	FLAP, RING GEAR COVER	1	
7	61472-93E40	LABEL, MAG COVER	1	
8	69711-93E10	LABEL, CAUTION (S.I.G.P.)	1	
9	61493-93J00	LABEL, CLEARANCE	1	
10	61494-96J00	LABEL, OIL	1	



FIG.17

FIG.17 (1-D-2) RING GEAR COVER (DF200Z E40)

REF NO.	PART NO.	DESCRIPTION	Q'TY	REMARKS
1	11510-93J03	COVER, RING GEAR	1	
2	01550-06207	BOLT	2	
3	01550-06407	BOLT	1	
4	11515-93J00	BRACE, RING GEAR COVER	1	
5	01550-08357	BOLT	2	
6	11516-93J00	FLAP, RING GEAR COVER	1	
7	61472-93E32	LABEL, MAG COVER	1	
8	69711-93E10	LABEL, CAUTION (S.I.G.P.)	1	
9	61493-93J00	LABEL, CLEARANCE	1	
10	61494-96J00	LABEL, OIL	1	

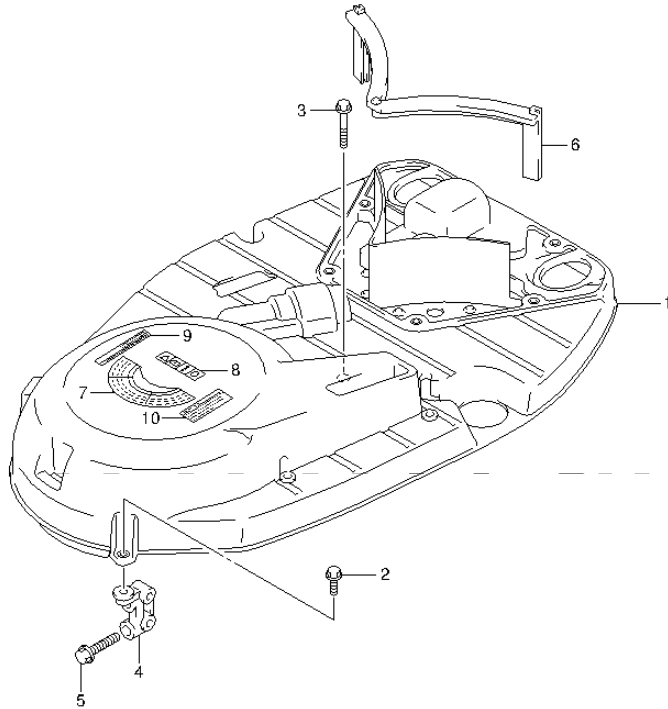


FIG.18

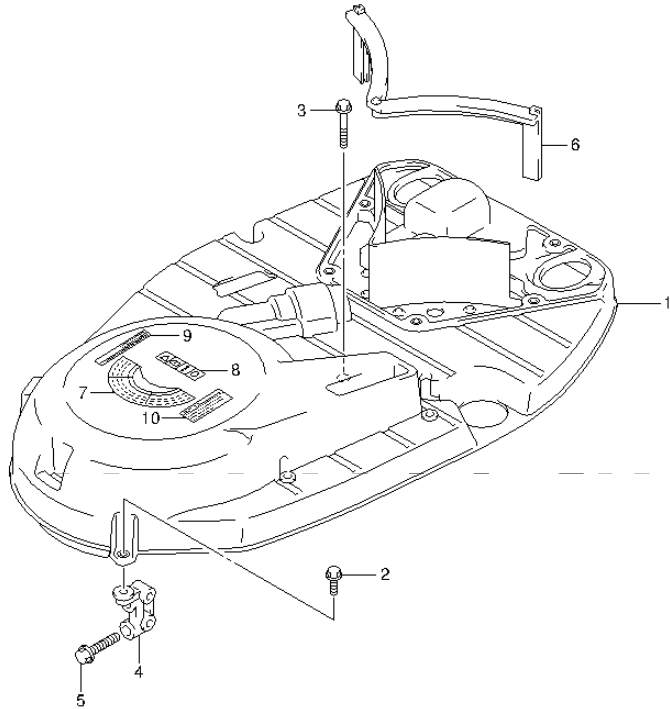


FIG.18 (1-D-3) RING GEAR COVER (DF225T E1)

REF NO.	PART NO.	DESCRIPTION	Q'TY	REMARKS
1	11510-93J03	COVER, RING GEAR	1	
2	01550-06207	BOLT	2	
3	01550-06407	BOLT	1	
4	11515-93J00	BRACE, RING GEAR COVER	1	
5	01550-08357	BOLT	2	
6	11516-93J00	FLAP, RING GEAR COVER	1	
7	61472-93E40	LABEL, MAG COVER	1	
8	69711-93E10	LABEL, CAUTION (S.I.G.P.)	1	
9	61493-93J00	LABEL, CLEARANCE	1	
10	61494-96J00	LABEL, OIL	1	



FIG.19

FIG.19 (1-D-4) RING GEAR COVER (DF225T E40)

REF NO.	PART NO.	DESCRIPTION	Q'TY	REMARKS
1	11510-93J03	COVER, RING GEAR	1	
2	01550-06207	BOLT	2	
3	01550-06407	BOLT	1	
4	11515-93J00	BRACE, RING GEAR COVER	1	
5	01550-08357	BOLT	2	
6	11516-93J00	FLAP, RING GEAR COVER	1	
7	61472-93E32	LABEL, MAG COVER	1	
8	69711-93E10	LABEL, CAUTION (S.I.G.P.)	1	
9	61493-93J00	LABEL, CLEARANCE	1	
10	61494-96J00	LABEL, OIL	1	

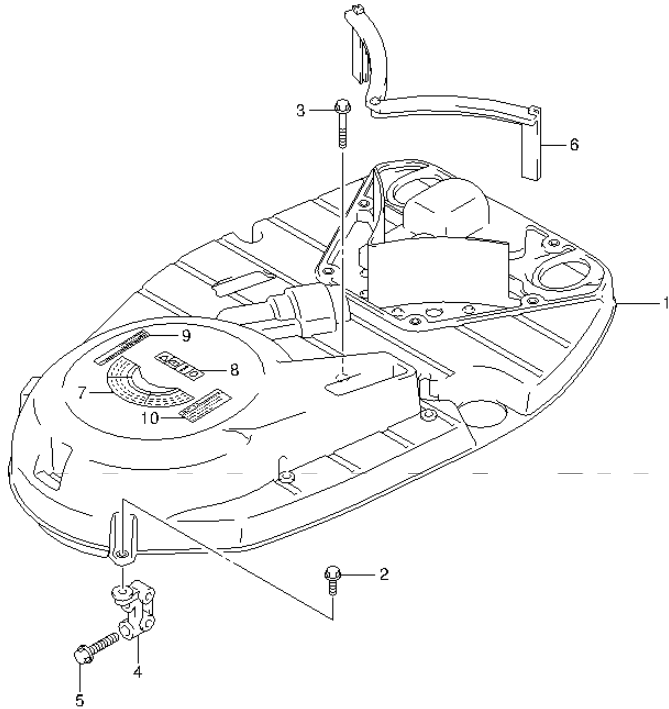


FIG.20

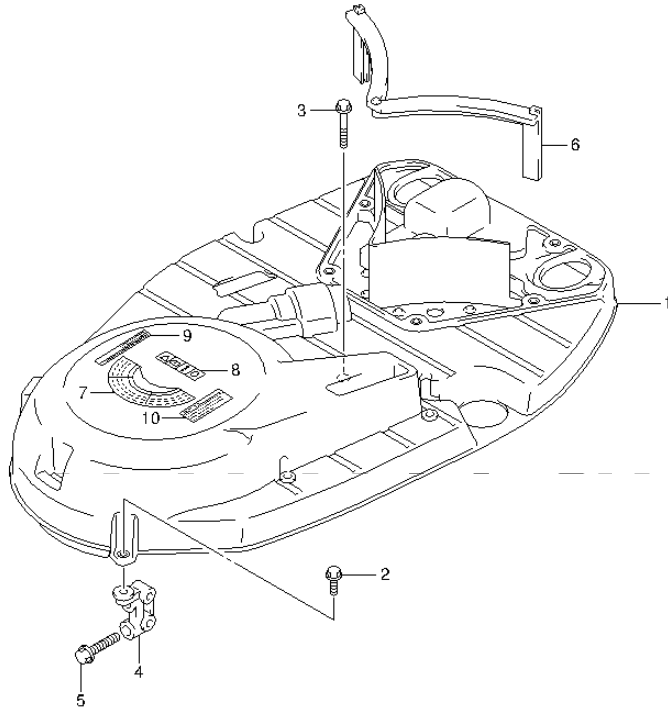


FIG.20 (1-D-5) RING GEAR COVER (DF225Z E1)

REF NO.	PART NO.	DESCRIPTION	Q'TY	REMARKS
1	11510-93J03	COVER, RING GEAR	1	
2	01550-06207	BOLT	2	
3	01550-06407	BOLT	1	
4	11515-93J00	BRACE, RING GEAR COVER	1	
5	01550-08357	BOLT	2	
6	11516-93J00	FLAP, RING GEAR COVER	1	
7	61472-93E40	LABEL, MAG COVER	1	
8	69711-93E10	LABEL, CAUTION (S.I.G.P.)	1	
9	61493-93J00	LABEL, CLEARANCE	1	
10	61494-96J00	LABEL, OIL	1	



FIG.21

FIG.21 (1-D-6) RING GEAR COVER (DF225Z E40)

REF NO.	PART NO.	DESCRIPTION	Q'TY	REMARKS
1	11510-93J03	COVER, RING GEAR	1	
2	01550-06207	BOLT	2	
3	01550-06407	BOLT	1	
4	11515-93J00	BRACE, RING GEAR COVER	1	
5	01550-08357	BOLT	2	
6	11516-93J00	FLAP, RING GEAR COVER	1	
7	61472-93E32	LABEL, MAG COVER	1	
8	69711-93E10	LABEL, CAUTION (S.I.G.P.)	1	
9	61493-93J00	LABEL, CLEARANCE	1	
10	61494-96J00	LABEL, OIL	1	

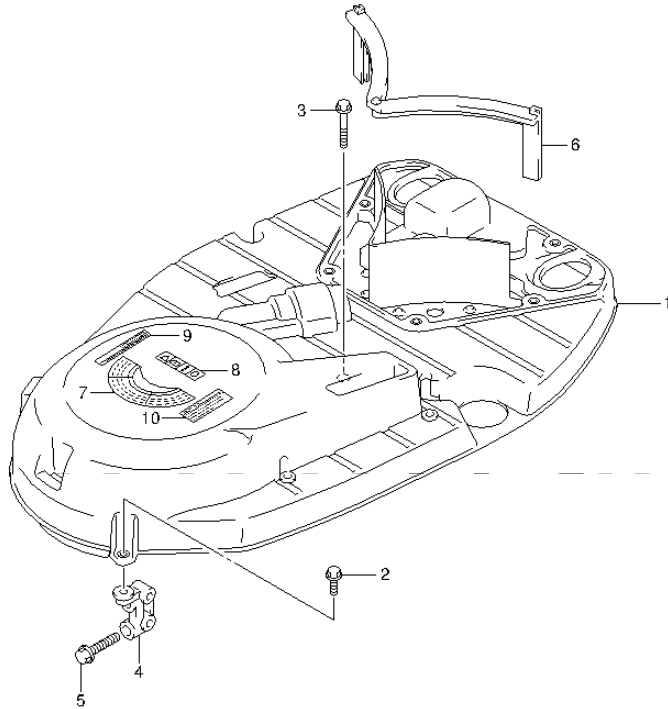


FIG.22

FIG.22 (1-D-7) RING GEAR COVER (DF250T E1)

REF NO.	PART NO.	DESCRIPTION	Q'TY	REMARKS
1	11510-93J03	COVER, RING GEAR	1	
2	01550-06207	BOLT	2	
3	01550-06407	BOLT	1	
4	11515-93J00	BRACE, RING GEAR COVER	1	
5	01550-08357	BOLT	2	
6	11516-93J00	FLAP, RING GEAR COVER	1	
7	61472-93E40	LABEL, MAG COVER	1	
8	69711-93E10	LABEL, CAUTION (S.I.G.P.)	1	
9	61493-93J00	LABEL, CLEARANCE	1	
10	61494-96J00	LABEL, OIL	1	

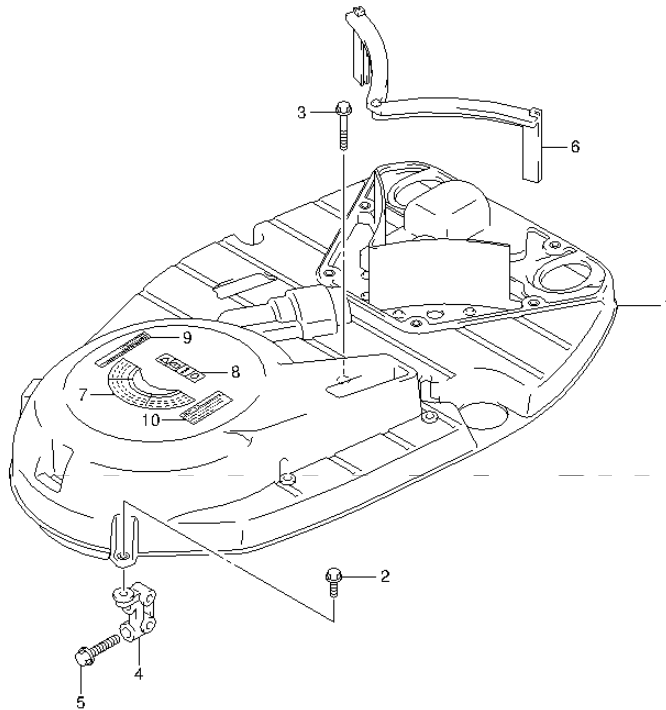


FIG.23

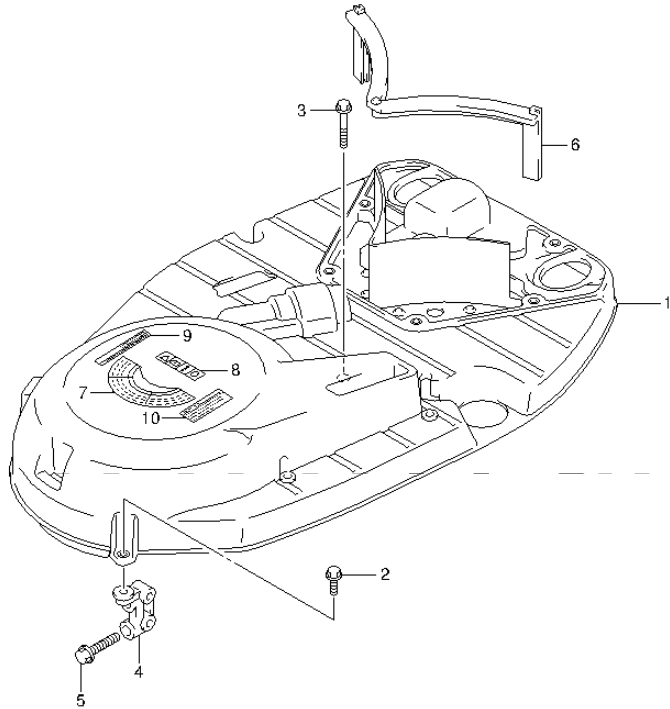


FIG.23 (1-D-8) RING GEAR COVER (DF250T E40)

REF NO.	PART NO.	DESCRIPTION	Q'TY	REMARKS
1	11510-93J03	COVER, RING GEAR	1	
2	01550-06207	BOLT	2	
3	01550-06407	BOLT	1	
4	11515-93J00	BRACE, RING GEAR COVER	1	
5	01550-08357	BOLT	2	
6	11516-93J00	FLAP, RING GEAR COVER	1	
7	61472-93E32	LABEL, MAG COVER	1	
8	69711-93E10	LABEL, CAUTION (S.I.G.P.)	1	
9	61493-93J00	LABEL, CLEARANCE	1	
10	61494-96J00	LABEL, OIL	1	

FIG.24

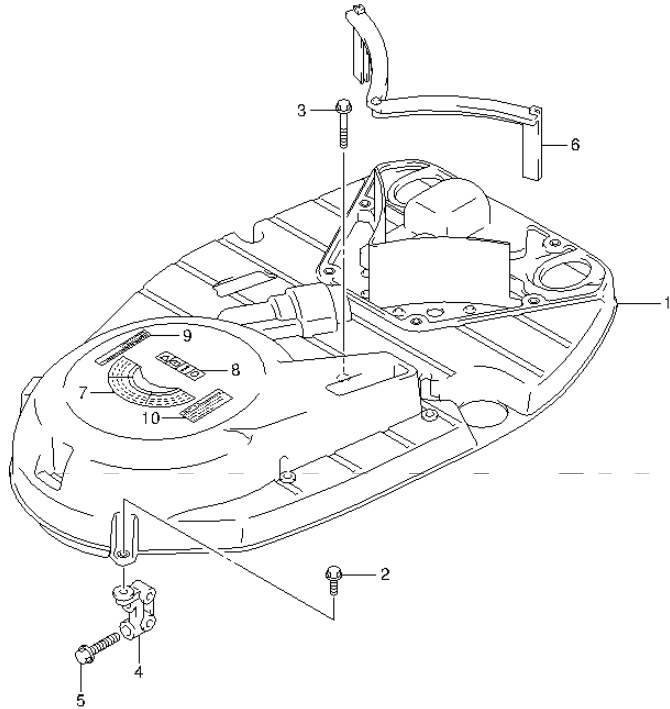


FIG.24 (1-D-9) RING GEAR COVER (DF250Z E1)

REF NO.	PART NO.	DESCRIPTION	Q'TY	REMARKS
1	11510-93J03	COVER, RING GEAR	1	
2	01550-06207	BOLT	2	
3	01550-06407	BOLT	1	
4	11515-93J00	BRACE, RING GEAR COVER	1	
5	01550-08357	BOLT	2	
6	11516-93J00	FLAP, RING GEAR COVER	1	
7	61472-93E40	LABEL, MAG COVER	1	
8	69711-93E10	LABEL, CAUTION (S.I.G.P.)	1	
9	61493-93J00	LABEL, CLEARANCE	1	
10	61494-96J00	LABEL, OIL	1	



FIG.25

FIG.25 (1-D-10) RING GEAR COVER (DF250Z E40)

REF NO.	PART NO.	DESCRIPTION	Q'TY	REMARKS
1	11510-93J03	COVER, RING GEAR	1	
2	01550-06207	BOLT	2	
3	01550-06407	BOLT	1	
4	11515-93J00	BRACE, RING GEAR COVER	1	
5	01550-08357	BOLT	2	
6	11516-93J00	FLAP, RING GEAR COVER	1	
7	61472-93E32	LABEL, MAG COVER	1	
8	69711-93E10	LABEL, CAUTION (S.I.G.P.)	1	
9	61493-93J00	LABEL, CLEARANCE	1	
10	61494-96J00	LABEL, OIL	1	

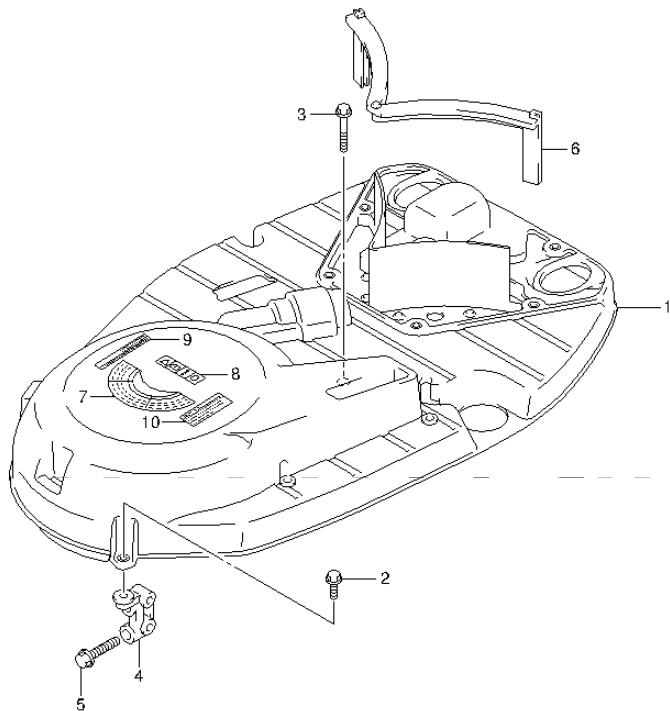


FIG.26

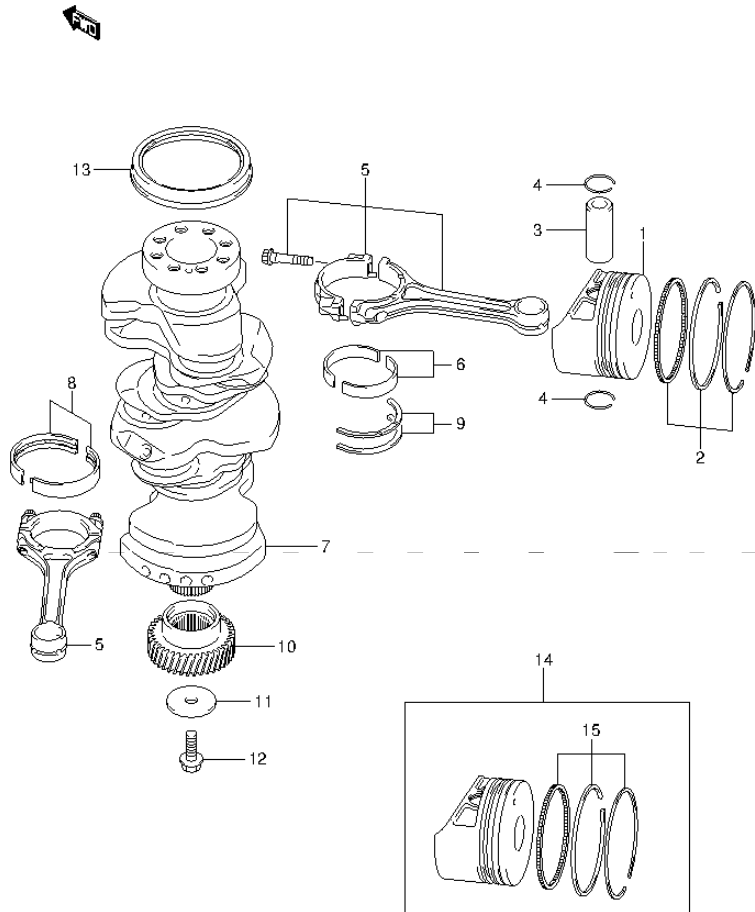


FIG.26 (1-D-11) CRANKSHAFT

REF NO.	PART NO.	DESCRIPTION	Q'TY	REMARKS
1	12111-93J02-0B0	PISTON	6	
2	12140-93J00	RING SET, PISTON	6	
3	12151-93J10	PIN, PISTON	6	
4	09381-22010	CIRCLIP	12	
5	12160-93J01	CONNROD ASSY	6	
6-1	12100-98810-0A0	BEARING SET, CONNROD (GREEN)	6	
6-2	12100-98810-025	BEARING SET, CONNROD (US:0.25)	6	OPT
7	12220-93J01	CRANKSHAFT	1	
8-1	12340-86FA2-0B0	BEARING SET, CRANKSHAFT (BLACK)	4	
8-2	12340-86FA2-0C0	BEARING SET, CRANKSHAFT (NON)	4	
8-3	12340-86FA2-0D0	BEARING SET, CRANKSHAFT (YELLOW)	4	
8-4	12340-86FA2-0E0	BEARING SET, CRANKSHAFT (BLUE)	4	
8-5	12340-86FA2-0F0	BEARING SET, CRANKSHAFT (PINK)	4	
8-6	12300-86812-0BA	BEARING SET, CRANKSHAFT (RED/BLACK)	4	OPT
8-7	12300-86812-0CA	BEARING SET, CRANKSHAFT (RED)	4	US:0.25 OPT
8-8	12300-86812-0DA	BEARING SET, CRANKSHAFT (RED/YELLOW)	4	US:0.25 OPT
8-9	12300-86812-0EA	BEARING SET, CRANKSHAFT (RED/BLUE)	4	US:0.25 OPT
8-10	12300-86812-0FA	BEARING SET, CRANKSHAFT (RED/PINK)	4	US:0.25 OPT
9-1	12300-85830	BEARING SET, CRANK THRUST	1	
9-2	12300-85830-012	BEARING SET, CRANK THRUST	1	OPT OS:0.25
10	12242-93J01	GEAR, DRIVE (NT:32)	1	
11	09160-10104	WASHER (10.5X50X3.2)	1	
12	01550-1025A	BOLT	1	
13	09283-91001	OIL SEAL (91X109X10)	1	
14	12100-93J00-050	PISTON SET (OS:0.50)	6	OPT
15	12140-93J00-050	RING SET, PISTON (OS:0.50)	6	OPT

FIG.28

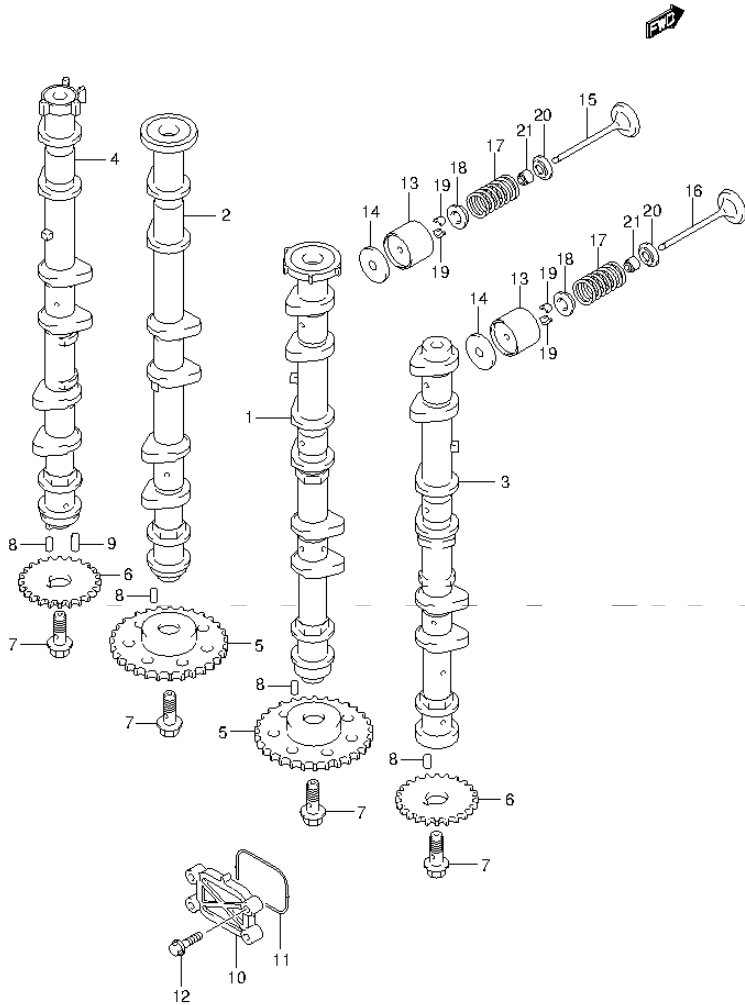


FIG.28 (1-D-13) CAMSHAFT (DF200T E1)

REF NO.	PART NO.	DESCRIPTION	Q'TY	REMARKS
1	12701-93J30	CAMSHAFT, INTAKE STBD	1	
2	12705-93J30	CAMSHAFT, INTAKE PORT	1	
3	12721-93J30	CAMSHAFT, EXH STBD	1	
4	12725-93J30	CAMSHAFT, EXH PORT	1	
5	12742-93J10	SPROCKET, INTAKE CAMSHAFT (NT:32)	2	
6	12748-93J00	SPROCKET, CAMSHAFT (NT:22)	4	
7	12749-93J00	BOLT, CAMSHAFT	4	
8	09202-05032	PIN (5X12)	3	
9	09261-05006	PIN (5X18)	1	
10	16551-93J00	PLATE, OIL CONTROL	2	
11	16559-93J00	GASKET, VALVE	2	
12	01550-06257	BOLT	8	
13	12891-93J00	TAPPET	24	
14-1	12892-93J00-218	SHIM, TAPPET (T:2.175)	AR	
14-2	12892-93J00-220	SHIM, TAPPET (T:2.200)	AR	
14-3	12892-93J00-223	SHIM, TAPPET (T:2.225)	AR	
14-4	12892-93J00-225	SHIM, TAPPET (T:2.250)	AR	
14-5	12892-93J00-228	SHIM, TAPPET (T:2.275)	AR	
14-6	12892-93J00-230	SHIM, TAPPET (T:2.300)	AR	
14-7	12892-93J00-233	SHIM, TAPPET (T:2.325)	AR	
14-8	12892-93J00-235	SHIM, TAPPET (T:2.350)	AR	
14-9	12892-93J00-238	SHIM, TAPPET (T:2.375)	AR	
14-10	12892-93J00-240	SHIM, TAPPET (T:2.400)	AR	
14-11	12892-93J00-243	SHIM, TAPPET (T:2.425)	AR	
14-12	12892-93J00-245	SHIM, TAPPET (T:2.450)	AR	
14-13	12892-93J00-248	SHIM, TAPPET (T:2.475)	AR	
14-14	12892-93J00-250	SHIM, TAPPET (T:2.500)	AR	
14-15	12892-93J00-253	SHIM, TAPPET (T:2.525)	AR	
14-16	12892-93J00-255	SHIM, TAPPET (T:2.550)	AR	
14-17	12892-93J00-258	SHIM, TAPPET (T:2.575)	AR	
14-18	12892-93J00-260	SHIM, TAPPET (T:2.600)	AR	
14-19	12892-93J00-263	SHIM, TAPPET (T:2.625)	AR	
14-20	12892-93J00-265	SHIM, TAPPET (T:2.650)	AR	

FIG.28

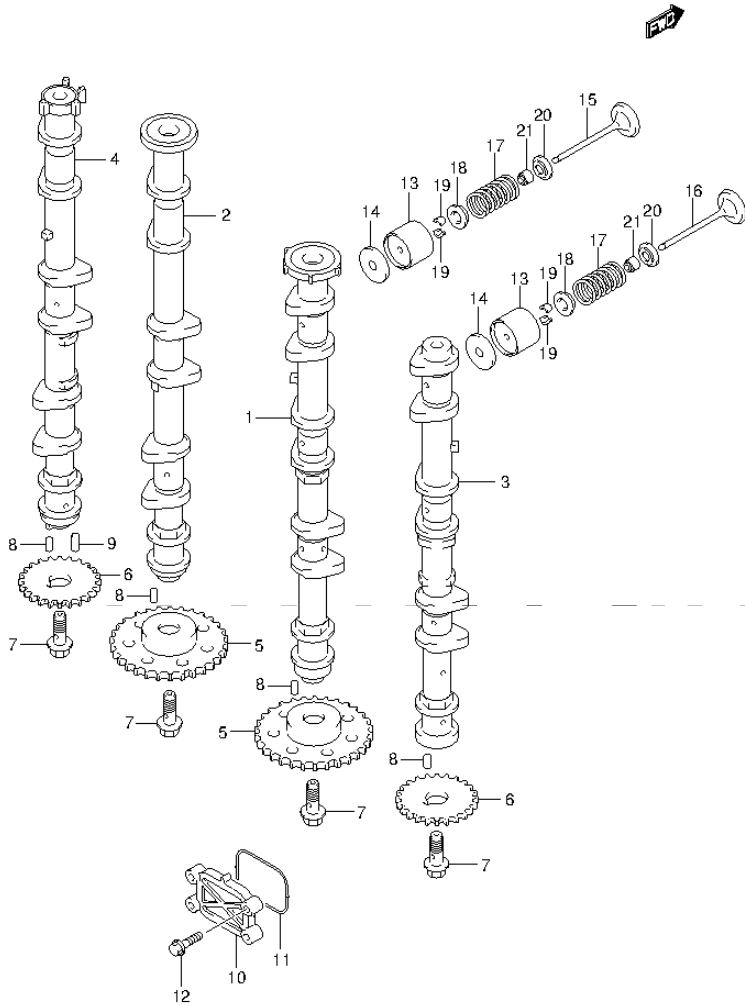


FIG.28 (1-D-14) CAMSHAFT (DF200T E1)

REF NO.	PART NO.	DESCRIPTION	Q'TY	REMARKS
14-21	12892-93J00-268	SHIM, TAPPET (T:2.675)	AR	
14-22	12892-93J00-270	SHIM, TAPPET (T:2.700)	AR	
14-23	12892-93J00-273	SHIM, TAPPET (T:2.725)	AR	
14-24	12892-93J00-275	SHIM, TAPPET (T:2.750)	AR	
14-25	12892-93J00-278	SHIM, TAPPET (T:2.775)	AR	
14-26	12892-93J00-280	SHIM, TAPPET (T:2.800)	AR	
14-27	12892-93J00-283	SHIM, TAPPET (T:2.825)	AR	
14-28	12892-93J00-285	SHIM, TAPPET (T:2.850)	AR	
14-29	12892-93J00-288	SHIM, TAPPET (T:2.875)	AR	
14-30	12892-93J00-290	SHIM, TAPPET (T:2.900)	AR	
14-31	12892-93J00-293	SHIM, TAPPET (T:2.925)	AR	
14-32	12892-93J00-295	SHIM, TAPPET (T:2.950)	AR	
14-33	12892-93J00-298	SHIM, TAPPET (T:2.975)	AR	
14-34	12892-93J00-300	SHIM, TAPPET (T:3.000)	AR	
15	12911-93J00	VALVE, INTAKE	12	
16	12915-93J10	VALVE, EXHAUST	12	
17	12921-93J10	SPRING, VALVE	24	
18	12931-78G00	RETAINER, VALVE SPRING	24	
19	12932-24400	COTTER, VALVE	48	
20	12933-69G10	SEAT, VALVE SPRING	24	
21	09289-05012	OIL SEAL (5.5X11.5X9.3)	24	

FIG.29

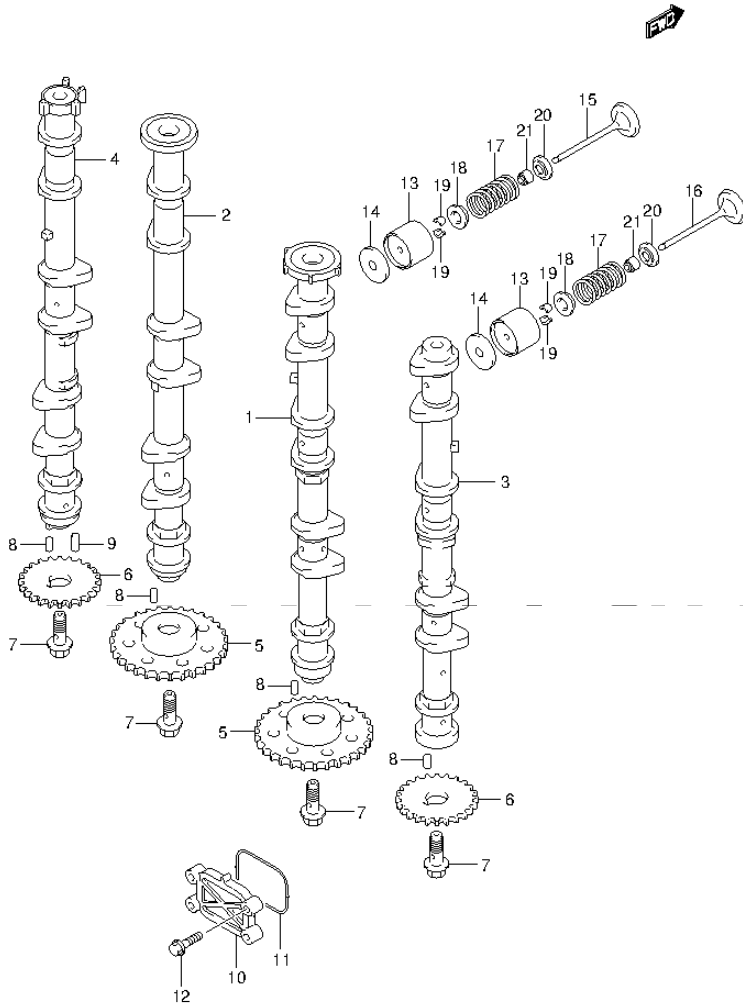


FIG.29 (1-D-15) CAMSHAFT (DF200T E40)

REF NO.	PART NO.	DESCRIPTION	Q'TY	REMARKS
1	12701-93J30	CAMSHAFT, INTAKE STBD	1	
2	12705-93J30	CAMSHAFT, INTAKE PORT	1	
3	12721-93J30	CAMSHAFT, EXH STBD	1	
4	12725-93J30	CAMSHAFT, EXH PORT	1	
5	12742-93J10	SPROCKET, INTAKE CAMSHAFT (NT:32)	2	
6	12748-93J00	SPROCKET, CAMSHAFT (NT:22)	4	
7	12749-93J00	BOLT, CAMSHAFT	4	
8	09202-05032	PIN (5X12)	3	
9	09261-05006	PIN (5X18)	1	
10	16551-93J00	PLATE, OIL CONTROL	2	
11	16559-93J00	GASKET, VALVE	2	
12	01550-06257	BOLT	8	
13	12891-93J00	TAPPET	24	
14-1	12892-93J00-218	SHIM, TAPPET (T:2.175)	AR	
14-2	12892-93J00-220	SHIM, TAPPET (T:2.200)	AR	
14-3	12892-93J00-223	SHIM, TAPPET (T:2.225)	AR	
14-4	12892-93J00-225	SHIM, TAPPET (T:2.250)	AR	
14-5	12892-93J00-228	SHIM, TAPPET (T:2.275)	AR	
14-6	12892-93J00-230	SHIM, TAPPET (T:2.300)	AR	
14-7	12892-93J00-233	SHIM, TAPPET (T:2.325)	AR	
14-8	12892-93J00-235	SHIM, TAPPET (T:2.350)	AR	
14-9	12892-93J00-238	SHIM, TAPPET (T:2.375)	AR	
14-10	12892-93J00-240	SHIM, TAPPET (T:2.400)	AR	
14-11	12892-93J00-243	SHIM, TAPPET (T:2.425)	AR	
14-12	12892-93J00-245	SHIM, TAPPET (T:2.450)	AR	
14-13	12892-93J00-248	SHIM, TAPPET (T:2.475)	AR	
14-14	12892-93J00-250	SHIM, TAPPET (T:2.500)	AR	
14-15	12892-93J00-253	SHIM, TAPPET (T:2.525)	AR	
14-16	12892-93J00-255	SHIM, TAPPET (T:2.550)	AR	
14-17	12892-93J00-258	SHIM, TAPPET (T:2.575)	AR	
14-18	12892-93J00-260	SHIM, TAPPET (T:2.600)	AR	
14-19	12892-93J00-263	SHIM, TAPPET (T:2.625)	AR	
14-20	12892-93J00-265	SHIM, TAPPET (T:2.650)	AR	

FIG.29

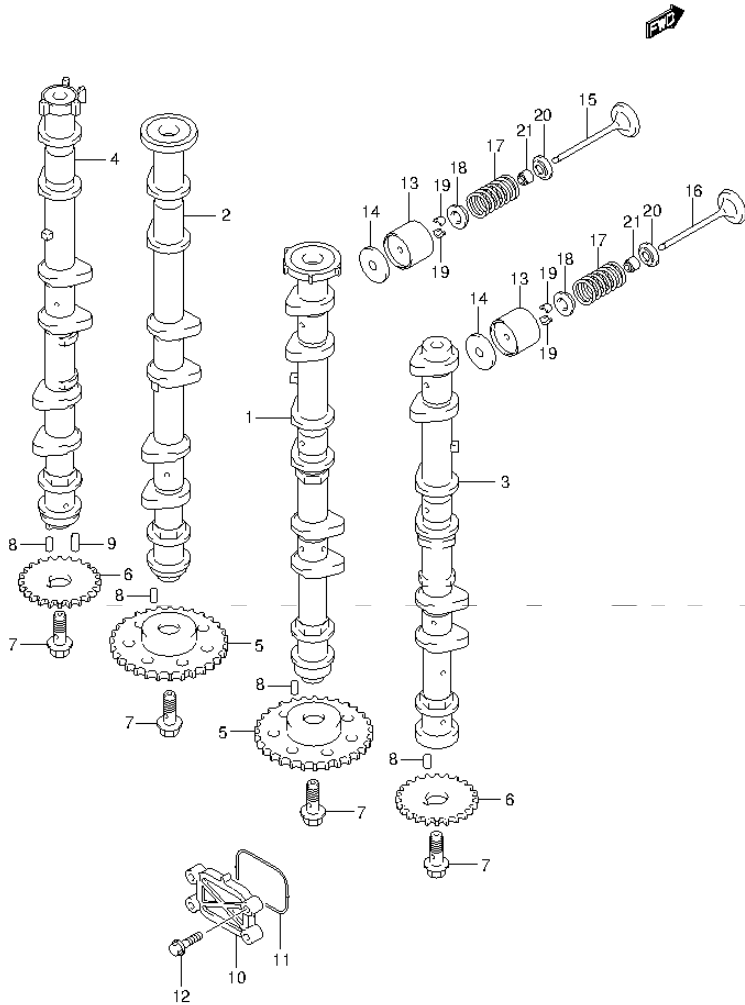


FIG.29 (1-E-2) CAMSHAFT (DF200T E40)

REF NO.	PART NO.	DESCRIPTION	Q'TY	REMARKS
14-21	12892-93J00-268	SHIM, TAPPET (T:2.675)	AR	
14-22	12892-93J00-270	SHIM, TAPPET (T:2.700)	AR	
14-23	12892-93J00-273	SHIM, TAPPET (T:2.725)	AR	
14-24	12892-93J00-275	SHIM, TAPPET (T:2.750)	AR	
14-25	12892-93J00-278	SHIM, TAPPET (T:2.775)	AR	
14-26	12892-93J00-280	SHIM, TAPPET (T:2.800)	AR	
14-27	12892-93J00-283	SHIM, TAPPET (T:2.825)	AR	
14-28	12892-93J00-285	SHIM, TAPPET (T:2.850)	AR	
14-29	12892-93J00-288	SHIM, TAPPET (T:2.875)	AR	
14-30	12892-93J00-290	SHIM, TAPPET (T:2.900)	AR	
14-31	12892-93J00-293	SHIM, TAPPET (T:2.925)	AR	
14-32	12892-93J00-295	SHIM, TAPPET (T:2.950)	AR	
14-33	12892-93J00-298	SHIM, TAPPET (T:2.975)	AR	
14-34	12892-93J00-300	SHIM, TAPPET (T:3.000)	AR	
15	12911-93J00	VALVE, INTAKE	12	
16	12915-93J50	VALVE, EXHAUST	12	
17	12921-93J10	SPRING, VALVE	24	
18	12931-78G00	RETAINER, VALVE SPRING	24	
19	12932-24400	COTTER, VALVE	48	
20	12933-69G10	SEAT, VALVE SPRING	24	
21	09289-05012	OIL SEAL (5.5X11.5X9.3)	24	

FIG.30

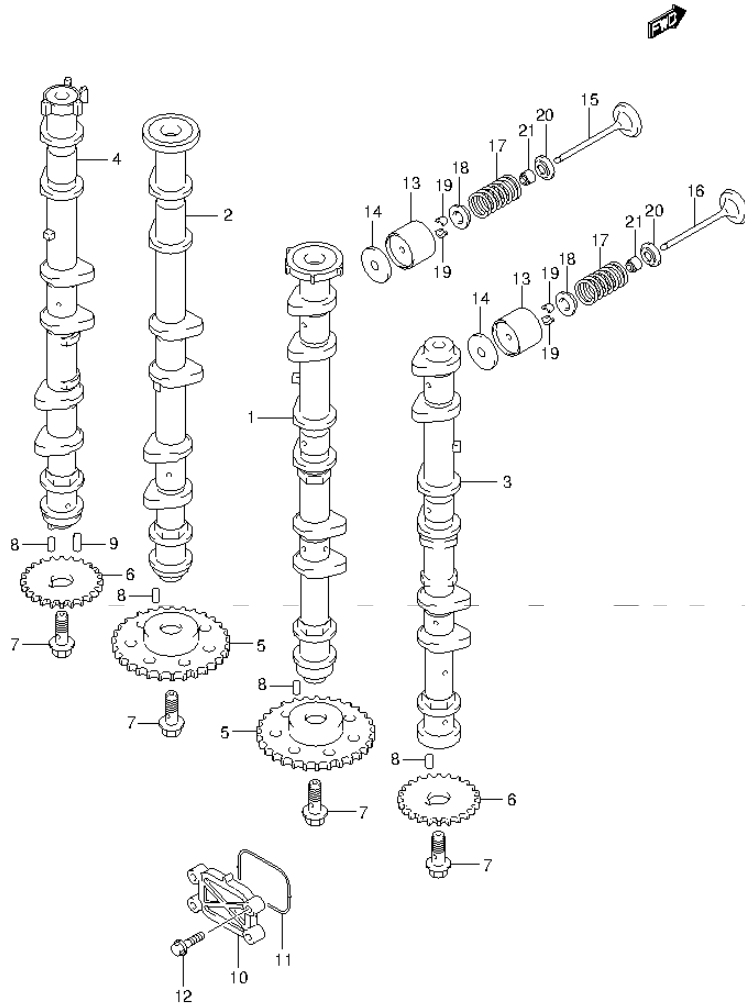


FIG.30 (1-E-3) CAMSHAFT (DF200Z E1)

REF NO.	PART NO.	DESCRIPTION	Q'TY	REMARKS
1	12701-93J30	CAMSHAFT, INTAKE STBD	1	
2	12705-93J30	CAMSHAFT, INTAKE PORT	1	
3	12721-93J30	CAMSHAFT, EXH STBD	1	
4	12725-93J30	CAMSHAFT, EXH PORT	1	
5	12742-93J10	SPROCKET, INTAKE CAMSHAFT (NT:32)	2	
6	12748-93J00	SPROCKET, CAMSHAFT (NT:22)	4	
7	12749-93J00	BOLT, CAMSHAFT	4	
8	09202-05032	PIN (5X12)	3	
9	09261-05006	PIN (5X18)	1	
10	16551-93J00	PLATE, OIL CONTROL	2	
11	16559-93J00	GASKET, VALVE	2	
12	01550-06257	BOLT	8	
13	12891-93J00	TAPPET	24	
14-1	12892-93J00-218	SHIM, TAPPET (T:2.175)	AR	
14-2	12892-93J00-220	SHIM, TAPPET (T:2.200)	AR	
14-3	12892-93J00-223	SHIM, TAPPET (T:2.225)	AR	
14-4	12892-93J00-225	SHIM, TAPPET (T:2.250)	AR	
14-5	12892-93J00-228	SHIM, TAPPET (T:2.275)	AR	
14-6	12892-93J00-230	SHIM, TAPPET (T:2.300)	AR	
14-7	12892-93J00-233	SHIM, TAPPET (T:2.325)	AR	
14-8	12892-93J00-235	SHIM, TAPPET (T:2.350)	AR	
14-9	12892-93J00-238	SHIM, TAPPET (T:2.375)	AR	
14-10	12892-93J00-240	SHIM, TAPPET (T:2.400)	AR	
14-11	12892-93J00-243	SHIM, TAPPET (T:2.425)	AR	
14-12	12892-93J00-245	SHIM, TAPPET (T:2.450)	AR	
14-13	12892-93J00-248	SHIM, TAPPET (T:2.475)	AR	
14-14	12892-93J00-250	SHIM, TAPPET (T:2.500)	AR	
14-15	12892-93J00-253	SHIM, TAPPET (T:2.525)	AR	
14-16	12892-93J00-255	SHIM, TAPPET (T:2.550)	AR	
14-17	12892-93J00-258	SHIM, TAPPET (T:2.575)	AR	
14-18	12892-93J00-260	SHIM, TAPPET (T:2.600)	AR	
14-19	12892-93J00-263	SHIM, TAPPET (T:2.625)	AR	
14-20	12892-93J00-265	SHIM, TAPPET (T:2.650)	AR	

FIG.30

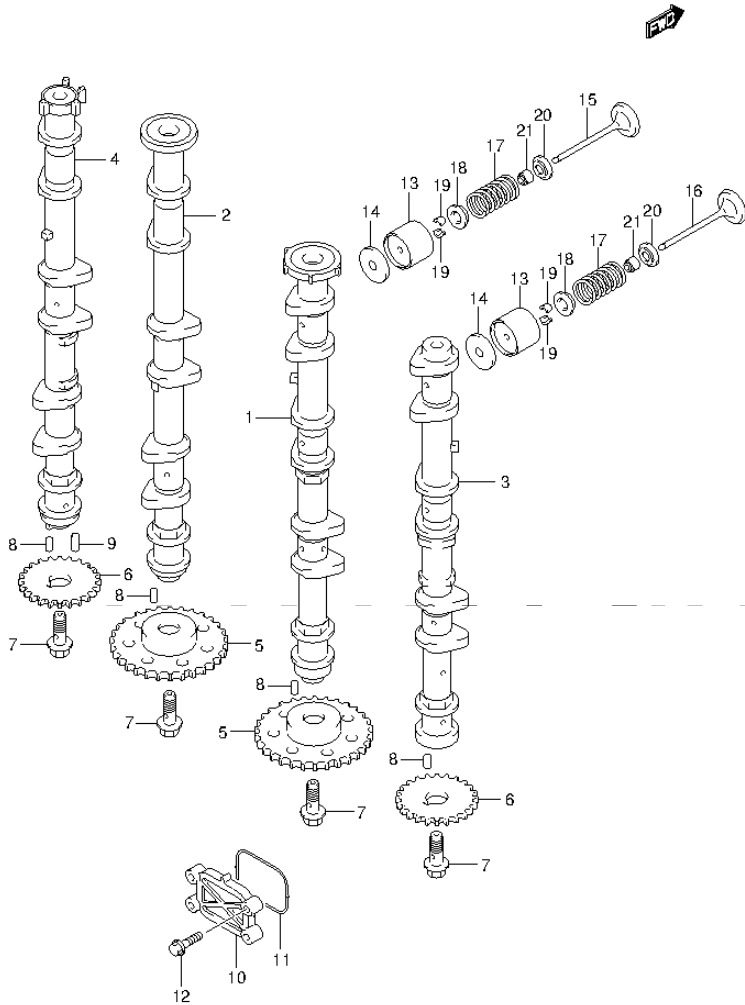


FIG.30 (1-E-4) CAMSHAFT (DF200Z E1)

REF NO.	PART NO.	DESCRIPTION	Q'TY	REMARKS
14-21	12892-93J00-268	SHIM, TAPPET (T:2.675)	AR	
14-22	12892-93J00-270	SHIM, TAPPET (T:2.700)	AR	
14-23	12892-93J00-273	SHIM, TAPPET (T:2.725)	AR	
14-24	12892-93J00-275	SHIM, TAPPET (T:2.750)	AR	
14-25	12892-93J00-278	SHIM, TAPPET (T:2.775)	AR	
14-26	12892-93J00-280	SHIM, TAPPET (T:2.800)	AR	
14-27	12892-93J00-283	SHIM, TAPPET (T:2.825)	AR	
14-28	12892-93J00-285	SHIM, TAPPET (T:2.850)	AR	
14-29	12892-93J00-288	SHIM, TAPPET (T:2.875)	AR	
14-30	12892-93J00-290	SHIM, TAPPET (T:2.900)	AR	
14-31	12892-93J00-293	SHIM, TAPPET (T:2.925)	AR	
14-32	12892-93J00-295	SHIM, TAPPET (T:2.950)	AR	
14-33	12892-93J00-298	SHIM, TAPPET (T:2.975)	AR	
14-34	12892-93J00-300	SHIM, TAPPET (T:3.000)	AR	
15	12911-93J00	VALVE, INTAKE	12	
16	12915-93J10	VALVE, EXHAUST	12	
17	12921-93J10	SPRING, VALVE	24	
18	12931-78G00	RETAINER, VALVE SPRING	24	
19	12932-24400	COTTER, VALVE	48	
20	12933-69G10	SEAT, VALVE SPRING	24	
21	09289-05012	OIL SEAL (5.5X11.5X9.3)	24	

FIG.31

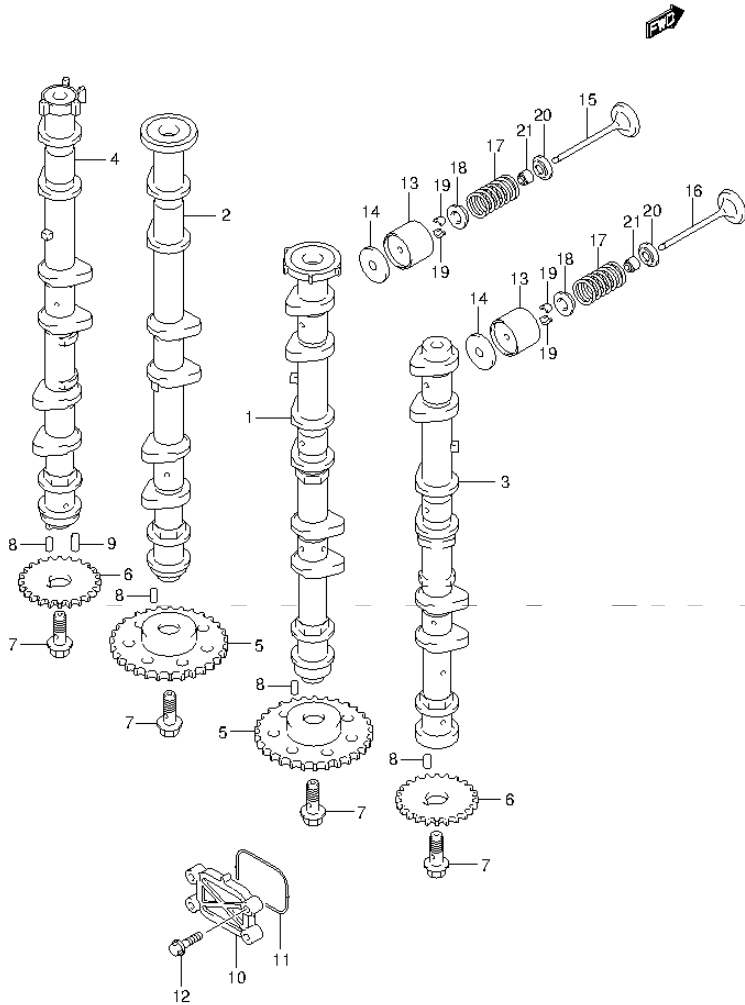


FIG.31 (1-E-5) CAMSHAFT (DF200Z E40)

REF NO.	PART NO.	DESCRIPTION	Q'TY	REMARKS
1	12701-93J30	CAMSHAFT, INTAKE STBD	1	
2	12705-93J30	CAMSHAFT, INTAKE PORT	1	
3	12721-93J30	CAMSHAFT, EXH STBD	1	
4	12725-93J30	CAMSHAFT, EXH PORT	1	
5	12742-93J10	SPROCKET, INTAKE CAMSHAFT (NT:32)	2	
6	12748-93J00	SPROCKET, CAMSHAFT (NT:22)	4	
7	12749-93J00	BOLT, CAMSHAFT	4	
8	09202-05032	PIN (5X12)	3	
9	09261-05006	PIN (5X18)	1	
10	16551-93J00	PLATE, OIL CONTROL	2	
11	16559-93J00	GASKET, VALVE	2	
12	01550-06257	BOLT	8	
13	12891-93J00	TAPPET	24	
14-1	12892-93J00-218	SHIM, TAPPET (T:2.175)	AR	
14-2	12892-93J00-220	SHIM, TAPPET (T:2.200)	AR	
14-3	12892-93J00-223	SHIM, TAPPET (T:2.225)	AR	
14-4	12892-93J00-225	SHIM, TAPPET (T:2.250)	AR	
14-5	12892-93J00-228	SHIM, TAPPET (T:2.275)	AR	
14-6	12892-93J00-230	SHIM, TAPPET (T:2.300)	AR	
14-7	12892-93J00-233	SHIM, TAPPET (T:2.325)	AR	
14-8	12892-93J00-235	SHIM, TAPPET (T:2.350)	AR	
14-9	12892-93J00-238	SHIM, TAPPET (T:2.375)	AR	
14-10	12892-93J00-240	SHIM, TAPPET (T:2.400)	AR	
14-11	12892-93J00-243	SHIM, TAPPET (T:2.425)	AR	
14-12	12892-93J00-245	SHIM, TAPPET (T:2.450)	AR	
14-13	12892-93J00-248	SHIM, TAPPET (T:2.475)	AR	
14-14	12892-93J00-250	SHIM, TAPPET (T:2.500)	AR	
14-15	12892-93J00-253	SHIM, TAPPET (T:2.525)	AR	
14-16	12892-93J00-255	SHIM, TAPPET (T:2.550)	AR	
14-17	12892-93J00-258	SHIM, TAPPET (T:2.575)	AR	
14-18	12892-93J00-260	SHIM, TAPPET (T:2.600)	AR	
14-19	12892-93J00-263	SHIM, TAPPET (T:2.625)	AR	
14-20	12892-93J00-265	SHIM, TAPPET (T:2.650)	AR	

FIG.31

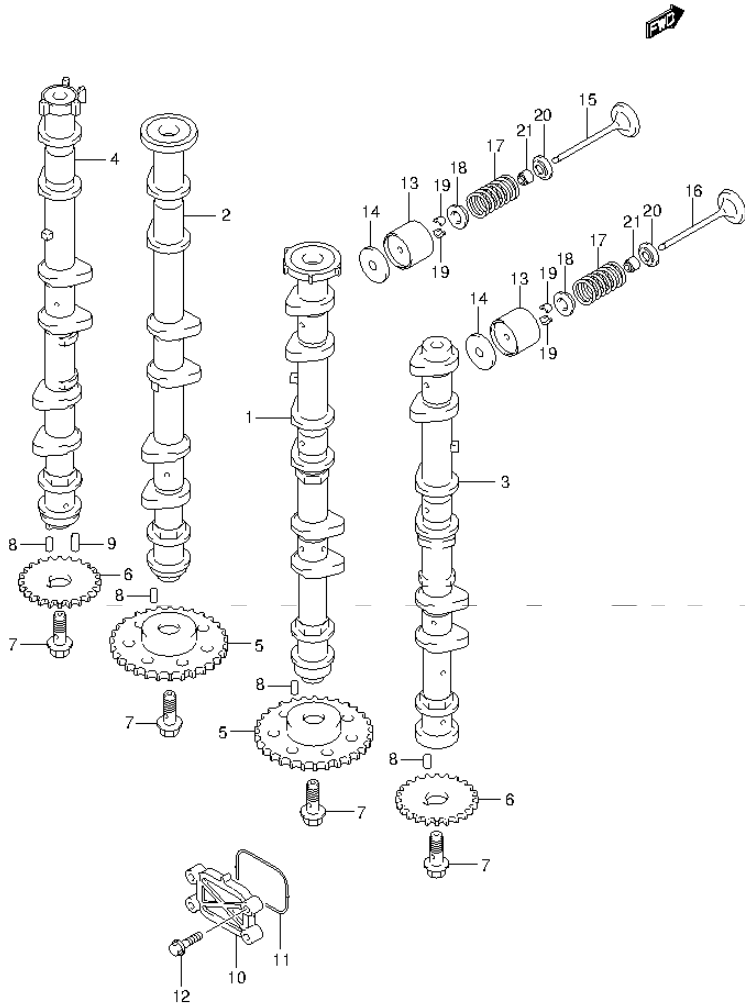


FIG.31 (1-E-6) CAMSHAFT (DF200Z E40)

REF NO.	PART NO.	DESCRIPTION	Q'TY	REMARKS
14-21	12892-93J00-268	SHIM, TAPPET (T:2.675)	AR	
14-22	12892-93J00-270	SHIM, TAPPET (T:2.700)	AR	
14-23	12892-93J00-273	SHIM, TAPPET (T:2.725)	AR	
14-24	12892-93J00-275	SHIM, TAPPET (T:2.750)	AR	
14-25	12892-93J00-278	SHIM, TAPPET (T:2.775)	AR	
14-26	12892-93J00-280	SHIM, TAPPET (T:2.800)	AR	
14-27	12892-93J00-283	SHIM, TAPPET (T:2.825)	AR	
14-28	12892-93J00-285	SHIM, TAPPET (T:2.850)	AR	
14-29	12892-93J00-288	SHIM, TAPPET (T:2.875)	AR	
14-30	12892-93J00-290	SHIM, TAPPET (T:2.900)	AR	
14-31	12892-93J00-293	SHIM, TAPPET (T:2.925)	AR	
14-32	12892-93J00-295	SHIM, TAPPET (T:2.950)	AR	
14-33	12892-93J00-298	SHIM, TAPPET (T:2.975)	AR	
14-34	12892-93J00-300	SHIM, TAPPET (T:3.000)	AR	
15	12911-93J00	VALVE, INTAKE	12	
16	12915-93J50	VALVE, EXHAUST	12	
17	12921-93J10	SPRING, VALVE	24	
18	12931-78G00	RETAINER, VALVE SPRING	24	
19	12932-24400	COTTER, VALVE	48	
20	12933-69G10	SEAT, VALVE SPRING	24	
21	09289-05012	OIL SEAL (5.5X11.5X9.3)	24	

FIG.32

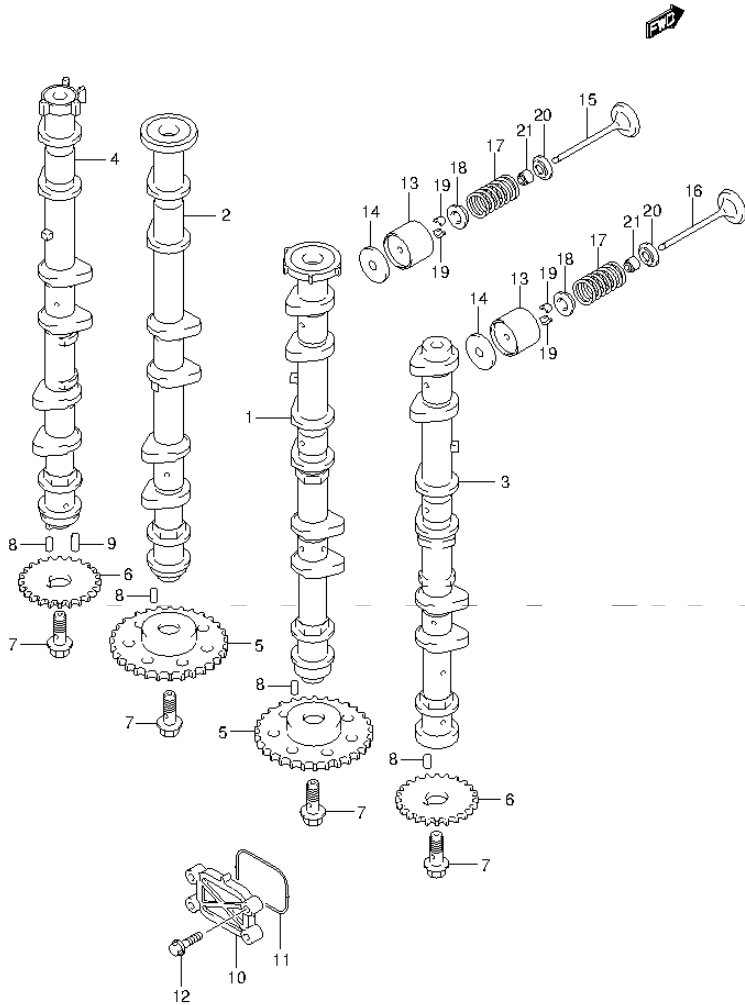


FIG.32 (1-E-7) CAMSHAFT (DF225T E1)

REF NO.	PART NO.	DESCRIPTION	Q'TY	REMARKS
1	12701-93J40	CAMSHAFT, INTAKE STBD	1	
2	12705-93J40	CAMSHAFT, INTAKE PORT	1	
3	12721-93J30	CAMSHAFT, EXH STBD	1	
4	12725-93J30	CAMSHAFT, EXH PORT	1	
5	12742-93J10	SPROCKET, INTAKE CAMSHAFT (NT:32)	2	
6	12748-93J00	SPROCKET, CAMSHAFT (NT:22)	4	
7	12749-93J00	BOLT, CAMSHAFT	4	
8	09202-05032	PIN (5X12)	3	
9	09261-05006	PIN (5X18)	1	
10	16551-93J00	PLATE, OIL CONTROL	2	
11	16559-93J00	GASKET, VALVE	2	
12	01550-06257	BOLT	8	
13	12891-93J00	TAPPET	24	
14-1	12892-93J00-218	SHIM, TAPPET (T:2.175)	AR	
14-2	12892-93J00-220	SHIM, TAPPET (T:2.200)	AR	
14-3	12892-93J00-223	SHIM, TAPPET (T:2.225)	AR	
14-4	12892-93J00-225	SHIM, TAPPET (T:2.250)	AR	
14-5	12892-93J00-228	SHIM, TAPPET (T:2.275)	AR	
14-6	12892-93J00-230	SHIM, TAPPET (T:2.300)	AR	
14-7	12892-93J00-233	SHIM, TAPPET (T:2.325)	AR	
14-8	12892-93J00-235	SHIM, TAPPET (T:2.350)	AR	
14-9	12892-93J00-238	SHIM, TAPPET (T:2.375)	AR	
14-10	12892-93J00-240	SHIM, TAPPET (T:2.400)	AR	
14-11	12892-93J00-243	SHIM, TAPPET (T:2.425)	AR	
14-12	12892-93J00-245	SHIM, TAPPET (T:2.450)	AR	
14-13	12892-93J00-248	SHIM, TAPPET (T:2.475)	AR	
14-14	12892-93J00-250	SHIM, TAPPET (T:2.500)	AR	
14-15	12892-93J00-253	SHIM, TAPPET (T:2.525)	AR	
14-16	12892-93J00-255	SHIM, TAPPET (T:2.550)	AR	
14-17	12892-93J00-258	SHIM, TAPPET (T:2.575)	AR	
14-18	12892-93J00-260	SHIM, TAPPET (T:2.600)	AR	
14-19	12892-93J00-263	SHIM, TAPPET (T:2.625)	AR	
14-20	12892-93J00-265	SHIM, TAPPET (T:2.650)	AR	

FIG.32

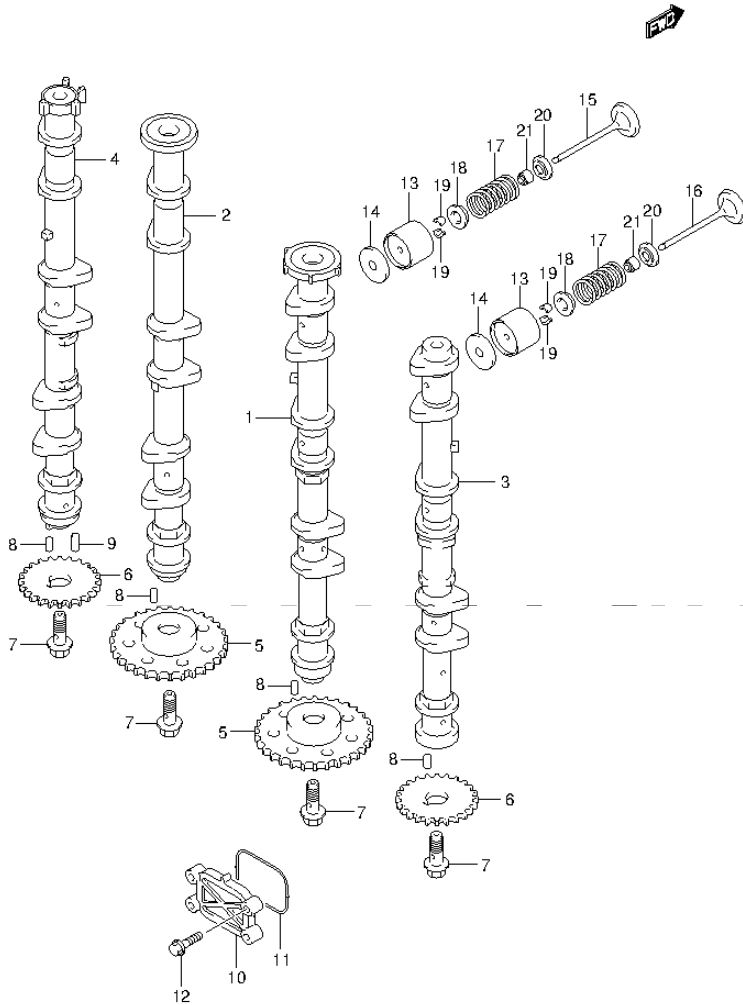


FIG.32 (1-E-8) CAMSHAFT (DF225T E1)

REF NO.	PART NO.	DESCRIPTION	Q'TY	REMARKS
14-21	12892-93J00-268	SHIM, TAPPET (T:2.675)	AR	
14-22	12892-93J00-270	SHIM, TAPPET (T:2.700)	AR	
14-23	12892-93J00-273	SHIM, TAPPET (T:2.725)	AR	
14-24	12892-93J00-275	SHIM, TAPPET (T:2.750)	AR	
14-25	12892-93J00-278	SHIM, TAPPET (T:2.775)	AR	
14-26	12892-93J00-280	SHIM, TAPPET (T:2.800)	AR	
14-27	12892-93J00-283	SHIM, TAPPET (T:2.825)	AR	
14-28	12892-93J00-285	SHIM, TAPPET (T:2.850)	AR	
14-29	12892-93J00-288	SHIM, TAPPET (T:2.875)	AR	
14-30	12892-93J00-290	SHIM, TAPPET (T:2.900)	AR	
14-31	12892-93J00-293	SHIM, TAPPET (T:2.925)	AR	
14-32	12892-93J00-295	SHIM, TAPPET (T:2.950)	AR	
14-33	12892-93J00-298	SHIM, TAPPET (T:2.975)	AR	
14-34	12892-93J00-300	SHIM, TAPPET (T:3.000)	AR	
15	12911-93J00	VALVE, INTAKE	12	
16	12915-93J10	VALVE, EXHAUST	12	
17	12921-93J10	SPRING, VALVE	24	
18	12931-78G00	RETAINER, VALVE SPRING	24	
19	12932-24400	COTTER, VALVE	48	
20	12933-69G10	SEAT, VALVE SPRING	24	
21	09289-05012	OIL SEAL (5.5X11.5X9.3)	24	

FIG.33

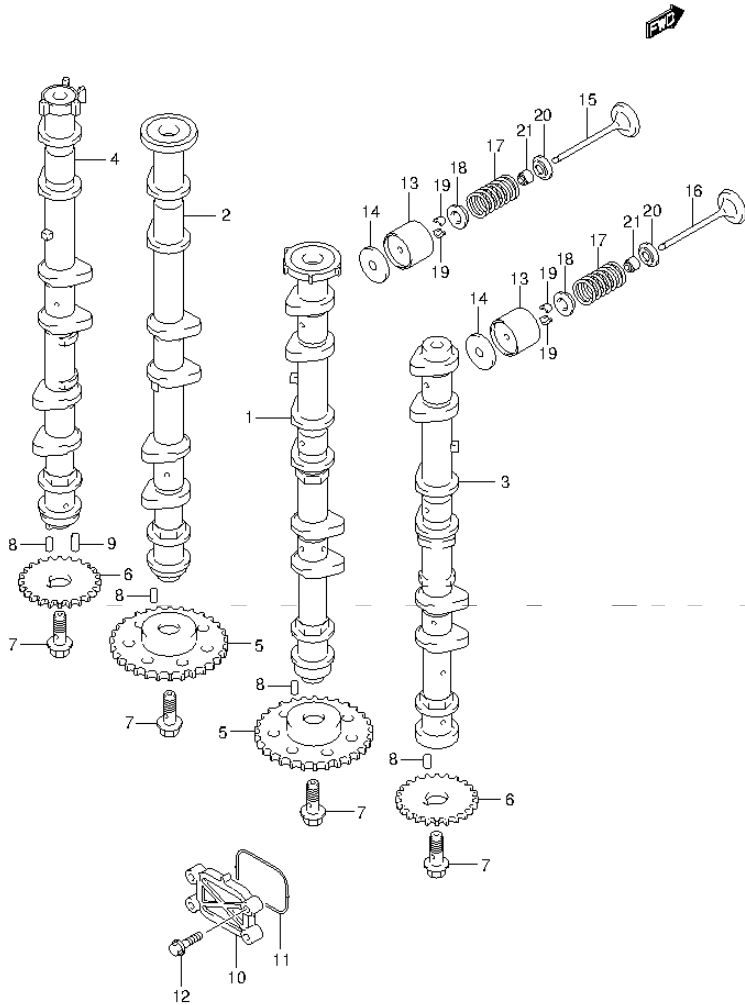


FIG.33 (1-E-9) CAMSHAFT (DF225T E40)

REF NO.	PART NO.	DESCRIPTION	Q'TY	REMARKS
1	12701-93J40	CAMSHAFT, INTAKE STBD	1	
2	12705-93J40	CAMSHAFT, INTAKE PORT	1	
3	12721-93J30	CAMSHAFT, EXH STBD	1	
4	12725-93J30	CAMSHAFT, EXH PORT	1	
5	12742-93J10	SPROCKET, INTAKE CAMSHAFT (NT:32)	2	
6	12748-93J00	SPROCKET, CAMSHAFT (NT:22)	4	
7	12749-93J00	BOLT, CAMSHAFT	4	
8	09202-05032	PIN (5X12)	3	
9	09261-05006	PIN (5X18)	1	
10	16551-93J00	PLATE, OIL CONTROL	2	
11	16559-93J00	GASKET, VALVE	2	
12	01550-06257	BOLT	8	
13	12891-93J00	TAPPET	24	
14-1	12892-93J00-218	SHIM, TAPPET (T:2.175)	AR	
14-2	12892-93J00-220	SHIM, TAPPET (T:2.200)	AR	
14-3	12892-93J00-223	SHIM, TAPPET (T:2.225)	AR	
14-4	12892-93J00-225	SHIM, TAPPET (T:2.250)	AR	
14-5	12892-93J00-228	SHIM, TAPPET (T:2.275)	AR	
14-6	12892-93J00-230	SHIM, TAPPET (T:2.300)	AR	
14-7	12892-93J00-233	SHIM, TAPPET (T:2.325)	AR	
14-8	12892-93J00-235	SHIM, TAPPET (T:2.350)	AR	
14-9	12892-93J00-238	SHIM, TAPPET (T:2.375)	AR	
14-10	12892-93J00-240	SHIM, TAPPET (T:2.400)	AR	
14-11	12892-93J00-243	SHIM, TAPPET (T:2.425)	AR	
14-12	12892-93J00-245	SHIM, TAPPET (T:2.450)	AR	
14-13	12892-93J00-248	SHIM, TAPPET (T:2.475)	AR	
14-14	12892-93J00-250	SHIM, TAPPET (T:2.500)	AR	
14-15	12892-93J00-253	SHIM, TAPPET (T:2.525)	AR	
14-16	12892-93J00-255	SHIM, TAPPET (T:2.550)	AR	
14-17	12892-93J00-258	SHIM, TAPPET (T:2.575)	AR	
14-18	12892-93J00-260	SHIM, TAPPET (T:2.600)	AR	
14-19	12892-93J00-263	SHIM, TAPPET (T:2.625)	AR	
14-20	12892-93J00-265	SHIM, TAPPET (T:2.650)	AR	

FIG.33

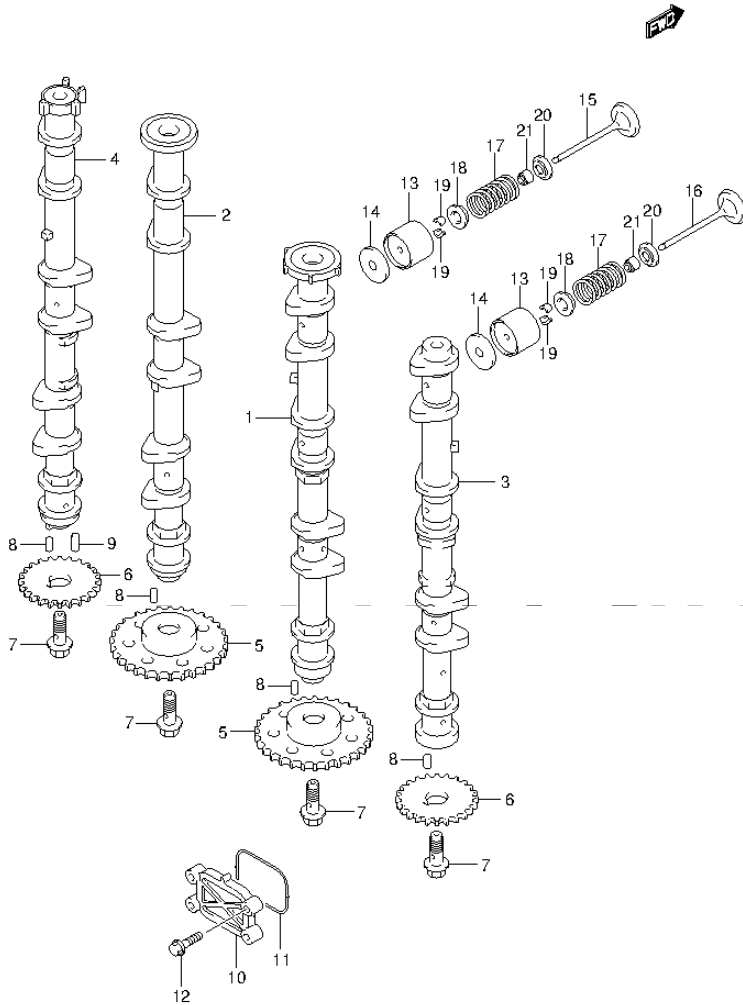


FIG.33 (1-E-10) CAMSHAFT (DF225T E40)

REF NO.	PART NO.	DESCRIPTION	Q'TY	REMARKS
14-21	12892-93J00-268	SHIM, TAPPET (T:2.675)	AR	
14-22	12892-93J00-270	SHIM, TAPPET (T:2.700)	AR	
14-23	12892-93J00-273	SHIM, TAPPET (T:2.725)	AR	
14-24	12892-93J00-275	SHIM, TAPPET (T:2.750)	AR	
14-25	12892-93J00-278	SHIM, TAPPET (T:2.775)	AR	
14-26	12892-93J00-280	SHIM, TAPPET (T:2.800)	AR	
14-27	12892-93J00-283	SHIM, TAPPET (T:2.825)	AR	
14-28	12892-93J00-285	SHIM, TAPPET (T:2.850)	AR	
14-29	12892-93J00-288	SHIM, TAPPET (T:2.875)	AR	
14-30	12892-93J00-290	SHIM, TAPPET (T:2.900)	AR	
14-31	12892-93J00-293	SHIM, TAPPET (T:2.925)	AR	
14-32	12892-93J00-295	SHIM, TAPPET (T:2.950)	AR	
14-33	12892-93J00-298	SHIM, TAPPET (T:2.975)	AR	
14-34	12892-93J00-300	SHIM, TAPPET (T:3.000)	AR	
15	12911-93J00	VALVE, INTAKE	12	
16	12915-93J50	VALVE, EXHAUST	12	
17	12921-93J10	SPRING, VALVE	24	
18	12931-78G00	RETAINER, VALVE SPRING	24	
19	12932-24400	COTTER, VALVE	48	
20	12933-69G10	SEAT, VALVE SPRING	24	
21	09289-05012	OIL SEAL (5.5X11.5X9.3)	24	

FIG.34

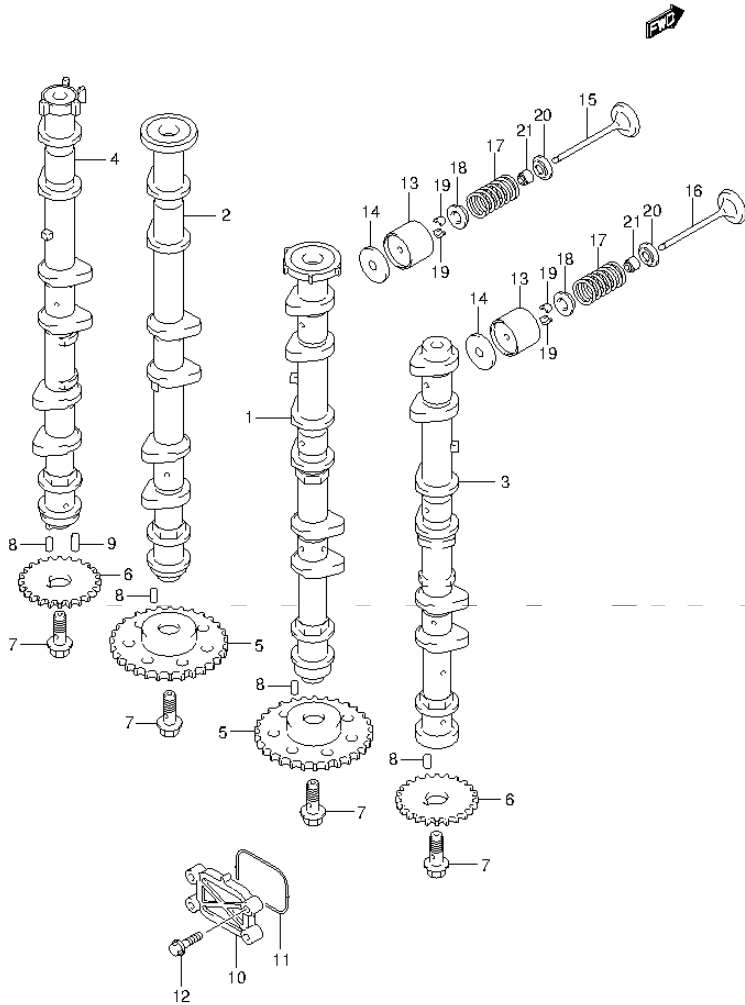


FIG.34 (1-E-11) CAMSHAFT (DF225Z E1)

REF NO.	PART NO.	DESCRIPTION	Q'TY	REMARKS
1	12701-93J40	CAMSHAFT, INTAKE STBD	1	
2	12705-93J40	CAMSHAFT, INTAKE PORT	1	
3	12721-93J30	CAMSHAFT, EXH STBD	1	
4	12725-93J30	CAMSHAFT, EXH PORT	1	
5	12742-93J10	SPROCKET, INTAKE CAMSHAFT (NT:32)	2	
6	12748-93J00	SPROCKET, CAMSHAFT (NT:22)	4	
7	12749-93J00	BOLT, CAMSHAFT	4	
8	09202-05032	PIN (5X12)	3	
9	09261-05006	PIN (5X18)	1	
10	16551-93J00	PLATE, OIL CONTROL	2	
11	16559-93J00	GASKET, VALVE	2	
12	01550-06257	BOLT	8	
13	12891-93J00	TAPPET	24	
14-1	12892-93J00-218	SHIM, TAPPET (T:2.175)	AR	
14-2	12892-93J00-220	SHIM, TAPPET (T:2.200)	AR	
14-3	12892-93J00-223	SHIM, TAPPET (T:2.225)	AR	
14-4	12892-93J00-225	SHIM, TAPPET (T:2.250)	AR	
14-5	12892-93J00-228	SHIM, TAPPET (T:2.275)	AR	
14-6	12892-93J00-230	SHIM, TAPPET (T:2.300)	AR	
14-7	12892-93J00-233	SHIM, TAPPET (T:2.325)	AR	
14-8	12892-93J00-235	SHIM, TAPPET (T:2.350)	AR	
14-9	12892-93J00-238	SHIM, TAPPET (T:2.375)	AR	
14-10	12892-93J00-240	SHIM, TAPPET (T:2.400)	AR	
14-11	12892-93J00-243	SHIM, TAPPET (T:2.425)	AR	
14-12	12892-93J00-245	SHIM, TAPPET (T:2.450)	AR	
14-13	12892-93J00-248	SHIM, TAPPET (T:2.475)	AR	
14-14	12892-93J00-250	SHIM, TAPPET (T:2.500)	AR	
14-15	12892-93J00-253	SHIM, TAPPET (T:2.525)	AR	
14-16	12892-93J00-255	SHIM, TAPPET (T:2.550)	AR	
14-17	12892-93J00-258	SHIM, TAPPET (T:2.575)	AR	
14-18	12892-93J00-260	SHIM, TAPPET (T:2.600)	AR	
14-19	12892-93J00-263	SHIM, TAPPET (T:2.625)	AR	
14-20	12892-93J00-265	SHIM, TAPPET (T:2.650)	AR	

FIG.34

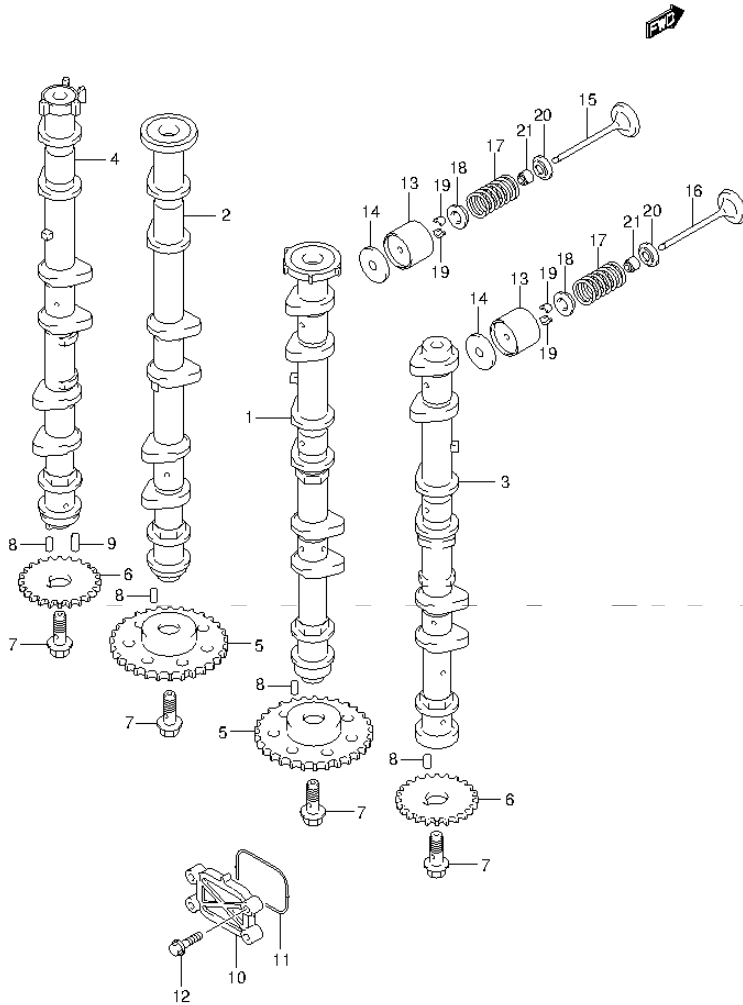


FIG.34 (1-E-12) CAMSHAFT (DF225Z E1)

REF NO.	PART NO.	DESCRIPTION	Q'TY	REMARKS
14-21	12892-93J00-268	SHIM, TAPPET (T:2.675)	AR	
14-22	12892-93J00-270	SHIM, TAPPET (T:2.700)	AR	
14-23	12892-93J00-273	SHIM, TAPPET (T:2.725)	AR	
14-24	12892-93J00-275	SHIM, TAPPET (T:2.750)	AR	
14-25	12892-93J00-278	SHIM, TAPPET (T:2.775)	AR	
14-26	12892-93J00-280	SHIM, TAPPET (T:2.800)	AR	
14-27	12892-93J00-283	SHIM, TAPPET (T:2.825)	AR	
14-28	12892-93J00-285	SHIM, TAPPET (T:2.850)	AR	
14-29	12892-93J00-288	SHIM, TAPPET (T:2.875)	AR	
14-30	12892-93J00-290	SHIM, TAPPET (T:2.900)	AR	
14-31	12892-93J00-293	SHIM, TAPPET (T:2.925)	AR	
14-32	12892-93J00-295	SHIM, TAPPET (T:2.950)	AR	
14-33	12892-93J00-298	SHIM, TAPPET (T:2.975)	AR	
14-34	12892-93J00-300	SHIM, TAPPET (T:3.000)	AR	
15	12911-93J00	VALVE, INTAKE	12	
16	12915-93J10	VALVE, EXHAUST	12	
17	12921-93J10	SPRING, VALVE	24	
18	12931-78G00	RETAINER, VALVE SPRING	24	
19	12932-24400	COTTER, VALVE	48	
20	12933-69G10	SEAT, VALVE SPRING	24	
21	09289-05012	OIL SEAL (5.5X11.5X9.3)	24	

FIG.35

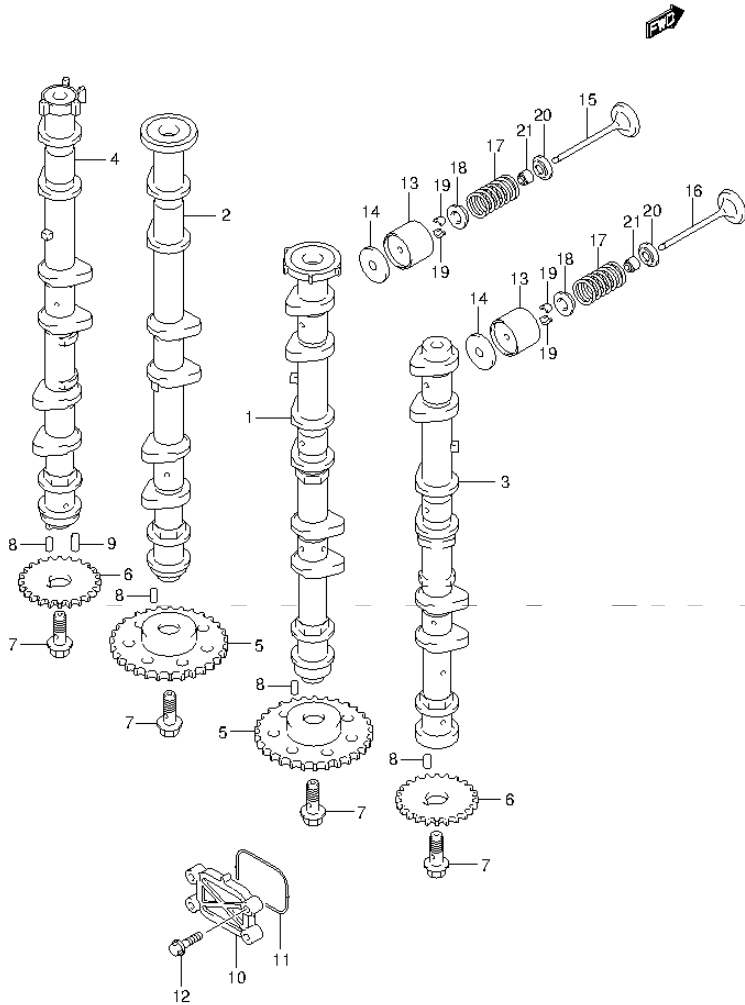


FIG.35 (1-E-13) CAMSHAFT (DF225Z E40)

REF NO.	PART NO.	DESCRIPTION	Q'TY	REMARKS
1	12701-93J40	CAMSHAFT, INTAKE STBD	1	
2	12705-93J40	CAMSHAFT, INTAKE PORT	1	
3	12721-93J30	CAMSHAFT, EXH STBD	1	
4	12725-93J30	CAMSHAFT, EXH PORT	1	
5	12742-93J10	SPROCKET, INTAKE CAMSHAFT (NT:32)	2	
6	12748-93J00	SPROCKET, CAMSHAFT (NT:22)	4	
7	12749-93J00	BOLT, CAMSHAFT	4	
8	09202-05032	PIN (5X12)	3	
9	09261-05006	PIN (5X18)	1	
10	16551-93J00	PLATE, OIL CONTROL	2	
11	16559-93J00	GASKET, VALVE	2	
12	01550-06257	BOLT	8	
13	12891-93J00	TAPPET	24	
14-1	12892-93J00-218	SHIM, TAPPET (T:2.175)	AR	
14-2	12892-93J00-220	SHIM, TAPPET (T:2.200)	AR	
14-3	12892-93J00-223	SHIM, TAPPET (T:2.225)	AR	
14-4	12892-93J00-225	SHIM, TAPPET (T:2.250)	AR	
14-5	12892-93J00-228	SHIM, TAPPET (T:2.275)	AR	
14-6	12892-93J00-230	SHIM, TAPPET (T:2.300)	AR	
14-7	12892-93J00-233	SHIM, TAPPET (T:2.325)	AR	
14-8	12892-93J00-235	SHIM, TAPPET (T:2.350)	AR	
14-9	12892-93J00-238	SHIM, TAPPET (T:2.375)	AR	
14-10	12892-93J00-240	SHIM, TAPPET (T:2.400)	AR	
14-11	12892-93J00-243	SHIM, TAPPET (T:2.425)	AR	
14-12	12892-93J00-245	SHIM, TAPPET (T:2.450)	AR	
14-13	12892-93J00-248	SHIM, TAPPET (T:2.475)	AR	
14-14	12892-93J00-250	SHIM, TAPPET (T:2.500)	AR	
14-15	12892-93J00-253	SHIM, TAPPET (T:2.525)	AR	
14-16	12892-93J00-255	SHIM, TAPPET (T:2.550)	AR	
14-17	12892-93J00-258	SHIM, TAPPET (T:2.575)	AR	
14-18	12892-93J00-260	SHIM, TAPPET (T:2.600)	AR	
14-19	12892-93J00-263	SHIM, TAPPET (T:2.625)	AR	
14-20	12892-93J00-265	SHIM, TAPPET (T:2.650)	AR	

FIG.35

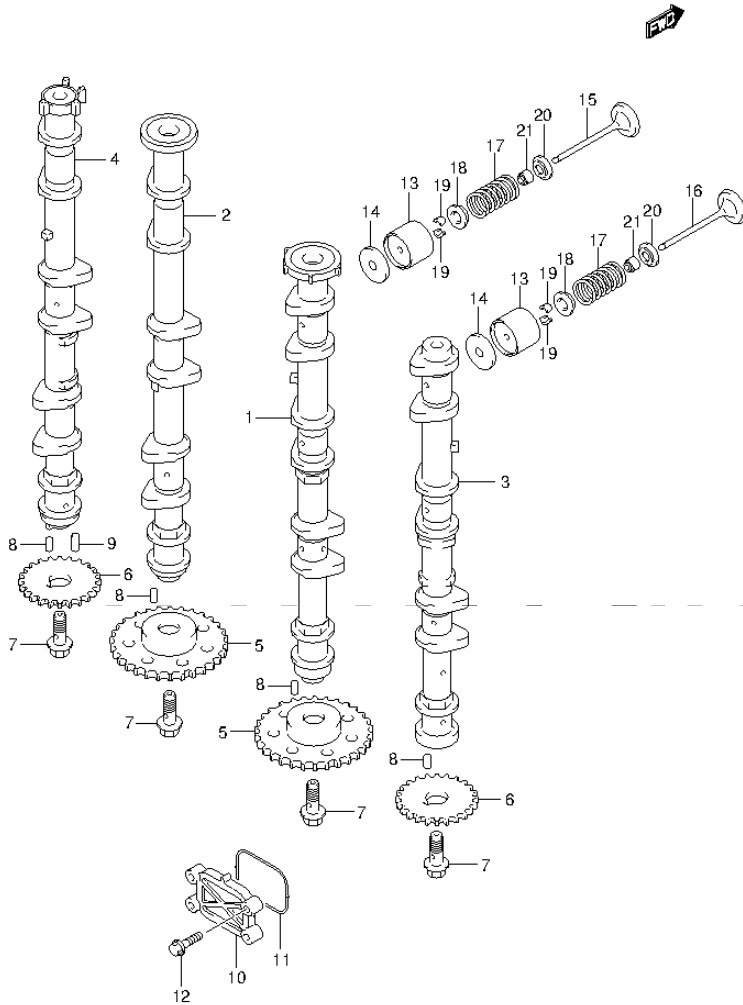


FIG.35 (1-E-14) CAMSHAFT (DF225Z E40)

REF NO.	PART NO.	DESCRIPTION	Q'TY	REMARKS
14-21	12892-93J00-268	SHIM, TAPPET (T:2.675)	AR	
14-22	12892-93J00-270	SHIM, TAPPET (T:2.700)	AR	
14-23	12892-93J00-273	SHIM, TAPPET (T:2.725)	AR	
14-24	12892-93J00-275	SHIM, TAPPET (T:2.750)	AR	
14-25	12892-93J00-278	SHIM, TAPPET (T:2.775)	AR	
14-26	12892-93J00-280	SHIM, TAPPET (T:2.800)	AR	
14-27	12892-93J00-283	SHIM, TAPPET (T:2.825)	AR	
14-28	12892-93J00-285	SHIM, TAPPET (T:2.850)	AR	
14-29	12892-93J00-288	SHIM, TAPPET (T:2.875)	AR	
14-30	12892-93J00-290	SHIM, TAPPET (T:2.900)	AR	
14-31	12892-93J00-293	SHIM, TAPPET (T:2.925)	AR	
14-32	12892-93J00-295	SHIM, TAPPET (T:2.950)	AR	
14-33	12892-93J00-298	SHIM, TAPPET (T:2.975)	AR	
14-34	12892-93J00-300	SHIM, TAPPET (T:3.000)	AR	
15	12911-93J00	VALVE, INTAKE	12	
16	12915-93J50	VALVE, EXHAUST	12	
17	12921-93J10	SPRING, VALVE	24	
18	12931-78G00	RETAINER, VALVE SPRING	24	
19	12932-24400	COTTER, VALVE	48	
20	12933-69G10	SEAT, VALVE SPRING	24	
21	09289-05012	OIL SEAL (5.5X11.5X9.3)	24	

FIG.36

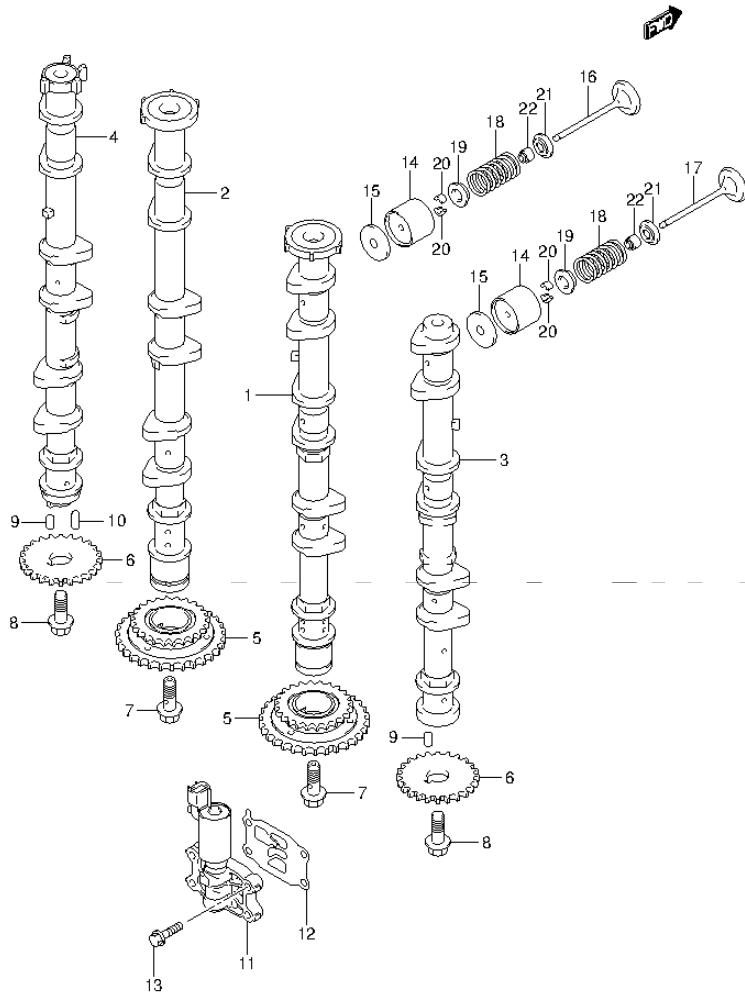


FIG.36 (1-E-15) CAMSHAFT (DF250T E1)

REF NO.	PART NO.	DESCRIPTION	Q'TY	REMARKS
1	12701-93J50	CAMSHAFT, INTAKE STBD	1	
2	12705-93J50	CAMSHAFT, INTAKE PORT	1	
3	12721-93J50	CAMSHAFT, EXH STBD	1	
4	12729-93J50	CAMSHAFT, EXH PORT	1	
5	12740-93J00	SPROCKET ASSY, CAM TIMING (NT:22/32)	2	
6	12748-93J00	SPROCKET, CAMSHAFT (NT:22)	2	
7	12753-93J00	BOLT, INTAKE CAMSHAFT	2	
8	12749-93J00	BOLT, CAMSHAFT EXHAUST	2	
9	09202-05032	PIN (5X12)	3	
10	09261-05006	PIN (5X18)	1	
11	16550-93J00	VALVE, OIL CONTROL	2	
12	16555-93J00	GASKET, VALVE	2	
13	01550-06257	BOLT	8	
14	12891-93J00	TAPPET	24	
15-1	12892-93J00-218	SHIM, TAPPET (T:2.175)	AR	
15-2	12892-93J00-220	SHIM, TAPPET (T:2.200)	AR	
15-3	12892-93J00-223	SHIM, TAPPET (T:2.225)	AR	
15-4	12892-93J00-225	SHIM, TAPPET (T:2.250)	AR	
15-5	12892-93J00-228	SHIM, TAPPET (T:2.275)	AR	
15-6	12892-93J00-230	SHIM, TAPPET (T:2.300)	AR	
15-7	12892-93J00-233	SHIM, TAPPET (T:2.325)	AR	
15-8	12892-93J00-235	SHIM, TAPPET (T:2.350)	AR	
15-9	12892-93J00-238	SHIM, TAPPET (T:2.375)	AR	
15-10	12892-93J00-240	SHIM, TAPPET (T:2.400)	AR	
15-11	12892-93J00-243	SHIM, TAPPET (T:2.425)	AR	
15-12	12892-93J00-245	SHIM, TAPPET (T:2.450)	AR	
15-13	12892-93J00-248	SHIM, TAPPET (T:2.475)	AR	
15-14	12892-93J00-250	SHIM, TAPPET (T:2.500)	AR	
15-15	12892-93J00-253	SHIM, TAPPET (T:2.525)	AR	
15-16	12892-93J00-255	SHIM, TAPPET (T:2.550)	AR	
15-17	12892-93J00-258	SHIM, TAPPET (T:2.575)	AR	
15-18	12892-93J00-260	SHIM, TAPPET (T:2.600)	AR	
15-19	12892-93J00-263	SHIM, TAPPET (T:2.625)	AR	

FIG.36

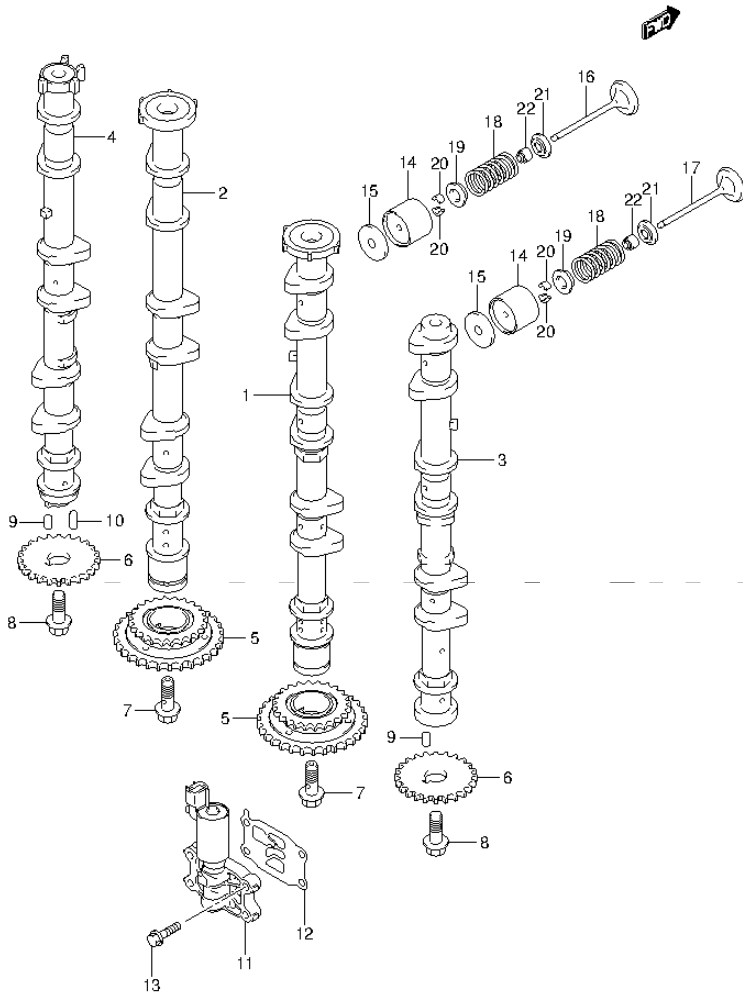


FIG.36 (1-F-2) CAMSHAFT (DF250T E1)

REF NO.	PART NO.	DESCRIPTION	Q'TY	REMARKS
15-20	12892-93J00-265	SHIM, TAPPET (T:2.650)	AR	
15-21	12892-93J00-268	SHIM, TAPPET (T:2.675)	AR	
15-22	12892-93J00-270	SHIM, TAPPET (T:2.700)	AR	
15-23	12892-93J00-273	SHIM, TAPPET (T:2.725)	AR	
15-24	12892-93J00-275	SHIM, TAPPET (T:2.750)	AR	
15-25	12892-93J00-278	SHIM, TAPPET (T:2.775)	AR	
15-26	12892-93J00-280	SHIM, TAPPET (T:2.800)	AR	
15-27	12892-93J00-283	SHIM, TAPPET (T:2.825)	AR	
15-28	12892-93J00-285	SHIM, TAPPET (T:2.850)	AR	
15-29	12892-93J00-288	SHIM, TAPPET (T:2.875)	AR	
15-30	12892-93J00-290	SHIM, TAPPET (T:2.900)	AR	
15-31	12892-93J00-293	SHIM, TAPPET (T:2.925)	AR	
15-32	12892-93J00-295	SHIM, TAPPET (T:2.950)	AR	
15-33	12892-93J00-298	SHIM, TAPPET (T:2.975)	AR	
15-34	12892-93J00-300	SHIM, TAPPET (T:3.000)	AR	
16	12911-93J00	VALVE, INTAKE	12	
17	12915-93J10	VALVE, EXHAUST	12	
18	12921-93J10	SPRING, VALVE	24	
19	12931-78G00	RETAINER, VALVE SPRING	24	
20	12932-24400	COTTER, VALVE	48	
21	12933-69G10	SEAT, VALVE SPRING	24	
22	09289-05012	OIL SEAL (5.5X11.5X9.3)	24	

FIG.37

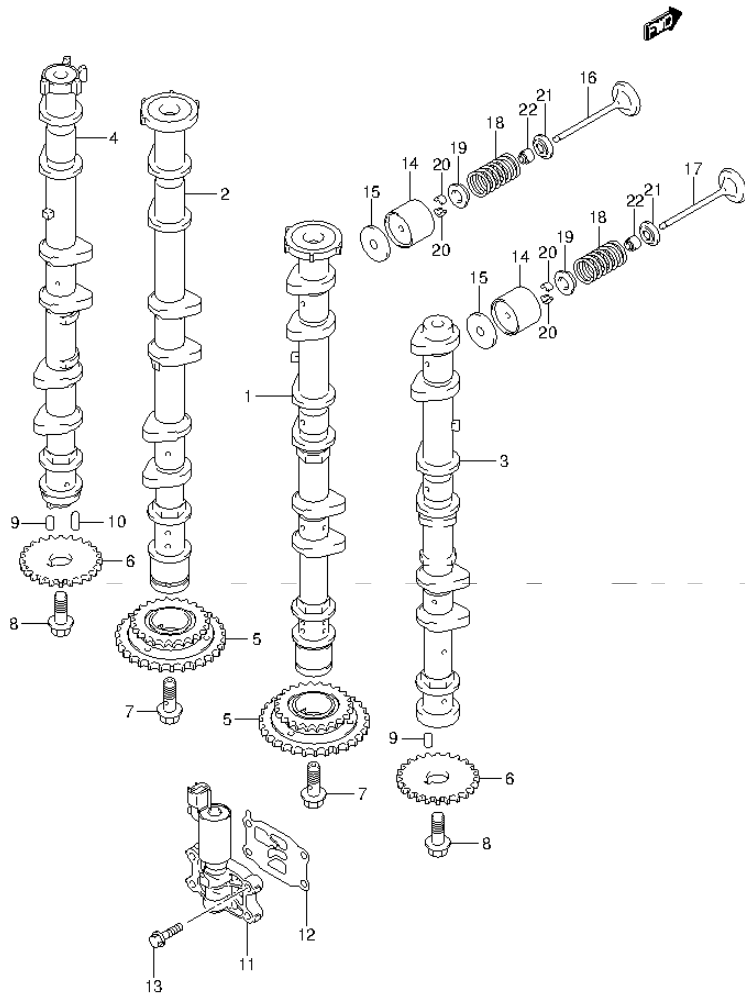


FIG.37 (1-F-3) CAMSHAFT (DF250T E40)

REF NO.	PART NO.	DESCRIPTION	Q'TY	REMARKS
1	12701-93J50	CAMSHAFT, INTAKE STBD	1	
2	12705-93J50	CAMSHAFT, INTAKE PORT	1	
3	12721-93J50	CAMSHAFT, EXH STBD	1	
4	12729-93J50	CAMSHAFT, EXH PORT	1	
5	12740-93J00	SPROCKET ASSY, CAM TIMING (NT:22/32)	2	
6	12748-93J00	SPROCKET, CAMSHAFT (NT:22)	2	
7	12753-93J00	BOLT, INTAKE CAMSHAFT	2	
8	12749-93J00	BOLT, CAMSHAFT EXHAUST	2	
9	09202-05032	PIN (5X12)	3	
10	09261-05006	PIN (5X18)	1	
11	16550-93J00	VALVE, OIL CONTROL	2	
12	16555-93J00	GASKET, VALVE	2	
13	01550-06257	BOLT	8	
14	12891-93J00	TAPPET	24	
15-1	12892-93J00-218	SHIM, TAPPET (T:2.175)	AR	
15-2	12892-93J00-220	SHIM, TAPPET (T:2.200)	AR	
15-3	12892-93J00-223	SHIM, TAPPET (T:2.225)	AR	
15-4	12892-93J00-225	SHIM, TAPPET (T:2.250)	AR	
15-5	12892-93J00-228	SHIM, TAPPET (T:2.275)	AR	
15-6	12892-93J00-230	SHIM, TAPPET (T:2.300)	AR	
15-7	12892-93J00-233	SHIM, TAPPET (T:2.325)	AR	
15-8	12892-93J00-235	SHIM, TAPPET (T:2.350)	AR	
15-9	12892-93J00-238	SHIM, TAPPET (T:2.375)	AR	
15-10	12892-93J00-240	SHIM, TAPPET (T:2.400)	AR	
15-11	12892-93J00-243	SHIM, TAPPET (T:2.425)	AR	
15-12	12892-93J00-245	SHIM, TAPPET (T:2.450)	AR	
15-13	12892-93J00-248	SHIM, TAPPET (T:2.475)	AR	
15-14	12892-93J00-250	SHIM, TAPPET (T:2.500)	AR	
15-15	12892-93J00-253	SHIM, TAPPET (T:2.525)	AR	
15-16	12892-93J00-255	SHIM, TAPPET (T:2.550)	AR	
15-17	12892-93J00-258	SHIM, TAPPET (T:2.575)	AR	
15-18	12892-93J00-260	SHIM, TAPPET (T:2.600)	AR	
15-19	12892-93J00-263	SHIM, TAPPET (T:2.625)	AR	

FIG.37

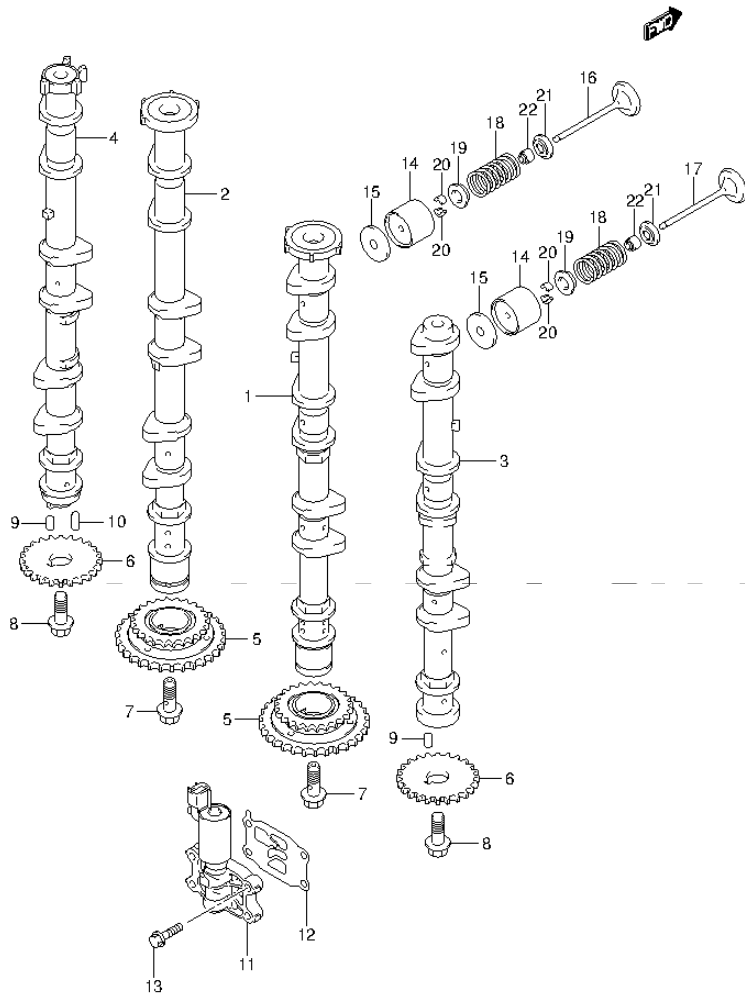


FIG.37 (1-F-4) CAMSHAFT (DF250T E40)

REF NO.	PART NO.	DESCRIPTION	Q'TY	REMARKS
15-20	12892-93J00-265	SHIM, TAPPET (T:2.650)	AR	
15-21	12892-93J00-268	SHIM, TAPPET (T:2.675)	AR	
15-22	12892-93J00-270	SHIM, TAPPET (T:2.700)	AR	
15-23	12892-93J00-273	SHIM, TAPPET (T:2.725)	AR	
15-24	12892-93J00-275	SHIM, TAPPET (T:2.750)	AR	
15-25	12892-93J00-278	SHIM, TAPPET (T:2.775)	AR	
15-26	12892-93J00-280	SHIM, TAPPET (T:2.800)	AR	
15-27	12892-93J00-283	SHIM, TAPPET (T:2.825)	AR	
15-28	12892-93J00-285	SHIM, TAPPET (T:2.850)	AR	
15-29	12892-93J00-288	SHIM, TAPPET (T:2.875)	AR	
15-30	12892-93J00-290	SHIM, TAPPET (T:2.900)	AR	
15-31	12892-93J00-293	SHIM, TAPPET (T:2.925)	AR	
15-32	12892-93J00-295	SHIM, TAPPET (T:2.950)	AR	
15-33	12892-93J00-298	SHIM, TAPPET (T:2.975)	AR	
15-34	12892-93J00-300	SHIM, TAPPET (T:3.000)	AR	
16	12911-93J00	VALVE, INTAKE	12	
17	12915-93J50	VALVE, EXHAUST	12	
18	12921-93J10	SPRING, VALVE	24	
19	12931-78G00	RETAINER, VALVE SPRING	24	
20	12932-24400	COTTER, VALVE	48	
21	12933-69G10	SEAT, VALVE SPRING	24	
22	09289-05012	OIL SEAL (5.5X11.5X9.3)	24	

FIG.38

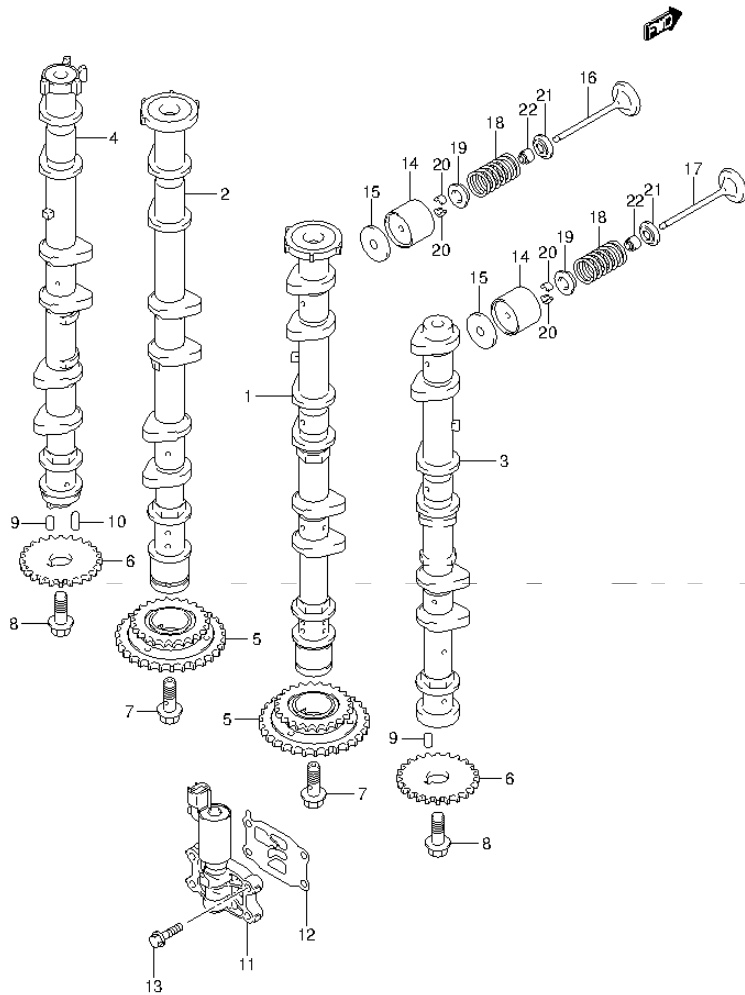


FIG.38 (1-F-5) CAMSHAFT (DF250Z E1)

REF NO.	PART NO.	DESCRIPTION	Q'TY	REMARKS
1	12701-93J50	CAMSHAFT, INTAKE STBD	1	
2	12705-93J50	CAMSHAFT, INTAKE PORT	1	
3	12721-93J50	CAMSHAFT, EXH STBD	1	
4	12729-93J50	CAMSHAFT, EXH PORT	1	
5	12740-93J00	SPROCKET ASSY, CAM TIMING (NT:22/32)	2	
6	12748-93J00	SPROCKET, CAMSHAFT (NT:22)	2	
7	12753-93J00	BOLT, INTAKE CAMSHAFT	2	
8	12749-93J00	BOLT, CAMSHAFT EXHAUST	2	
9	09202-05032	PIN (5X12)	3	
10	09261-05006	PIN (5X18)	1	
11	16550-93J00	VALVE, OIL CONTROL	2	
12	16555-93J00	GASKET, VALVE	2	
13	01550-06257	BOLT	8	
14	12891-93J00	TAPPET	24	
15-1	12892-93J00-218	SHIM, TAPPET (T:2.175)	AR	
15-2	12892-93J00-220	SHIM, TAPPET (T:2.200)	AR	
15-3	12892-93J00-223	SHIM, TAPPET (T:2.225)	AR	
15-4	12892-93J00-225	SHIM, TAPPET (T:2.250)	AR	
15-5	12892-93J00-228	SHIM, TAPPET (T:2.275)	AR	
15-6	12892-93J00-230	SHIM, TAPPET (T:2.300)	AR	
15-7	12892-93J00-233	SHIM, TAPPET (T:2.325)	AR	
15-8	12892-93J00-235	SHIM, TAPPET (T:2.350)	AR	
15-9	12892-93J00-238	SHIM, TAPPET (T:2.375)	AR	
15-10	12892-93J00-240	SHIM, TAPPET (T:2.400)	AR	
15-11	12892-93J00-243	SHIM, TAPPET (T:2.425)	AR	
15-12	12892-93J00-245	SHIM, TAPPET (T:2.450)	AR	
15-13	12892-93J00-248	SHIM, TAPPET (T:2.475)	AR	
15-14	12892-93J00-250	SHIM, TAPPET (T:2.500)	AR	
15-15	12892-93J00-253	SHIM, TAPPET (T:2.525)	AR	
15-16	12892-93J00-255	SHIM, TAPPET (T:2.550)	AR	
15-17	12892-93J00-258	SHIM, TAPPET (T:2.575)	AR	
15-18	12892-93J00-260	SHIM, TAPPET (T:2.600)	AR	
15-19	12892-93J00-263	SHIM, TAPPET (T:2.625)	AR	

FIG.38

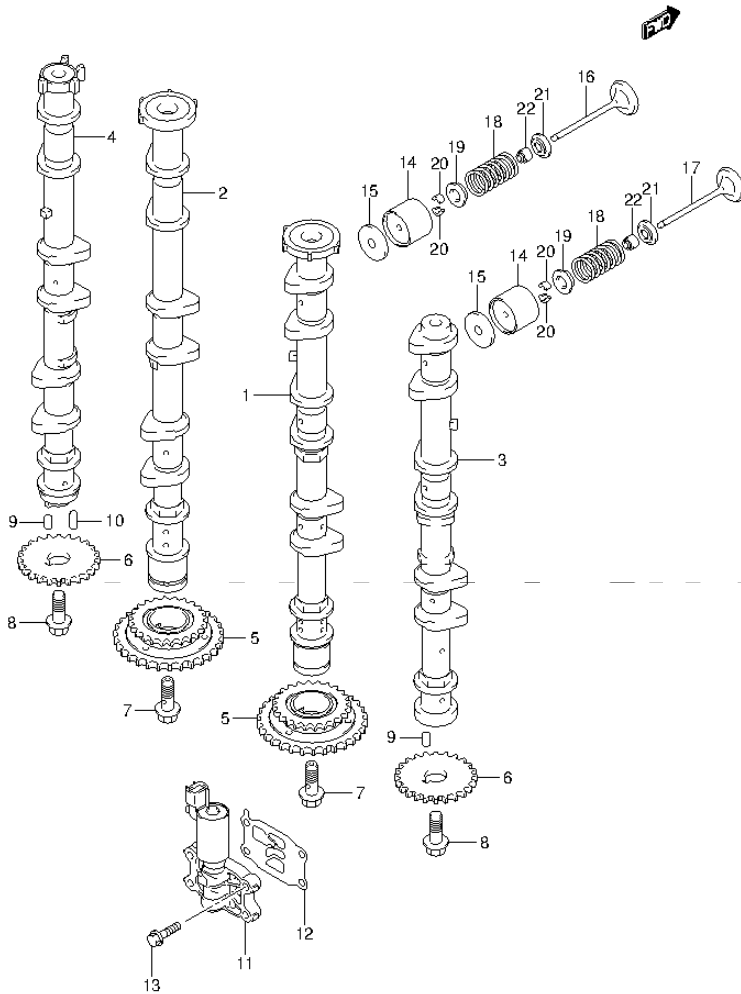


FIG.38 (1-F-6) CAMSHAFT (DF250Z E1)

REF NO.	PART NO.	DESCRIPTION	Q'TY	REMARKS
15-20	12892-93J00-265	SHIM, TAPPET (T:2.650)	AR	
15-21	12892-93J00-268	SHIM, TAPPET (T:2.675)	AR	
15-22	12892-93J00-270	SHIM, TAPPET (T:2.700)	AR	
15-23	12892-93J00-273	SHIM, TAPPET (T:2.725)	AR	
15-24	12892-93J00-275	SHIM, TAPPET (T:2.750)	AR	
15-25	12892-93J00-278	SHIM, TAPPET (T:2.775)	AR	
15-26	12892-93J00-280	SHIM, TAPPET (T:2.800)	AR	
15-27	12892-93J00-283	SHIM, TAPPET (T:2.825)	AR	
15-28	12892-93J00-285	SHIM, TAPPET (T:2.850)	AR	
15-29	12892-93J00-288	SHIM, TAPPET (T:2.875)	AR	
15-30	12892-93J00-290	SHIM, TAPPET (T:2.900)	AR	
15-31	12892-93J00-293	SHIM, TAPPET (T:2.925)	AR	
15-32	12892-93J00-295	SHIM, TAPPET (T:2.950)	AR	
15-33	12892-93J00-298	SHIM, TAPPET (T:2.975)	AR	
15-34	12892-93J00-300	SHIM, TAPPET (T:3.000)	AR	
16	12911-93J00	VALVE, INTAKE	12	
17	12915-93J10	VALVE, EXHAUST	12	
18	12921-93J10	SPRING, VALVE	24	
19	12931-78G00	RETAINER, VALVE SPRING	24	
20	12932-24400	COTTER, VALVE	48	
21	12933-69G10	SEAT, VALVE SPRING	24	
22	09289-05012	OIL SEAL (5.5X11.5X9.3)	24	

FIG.39

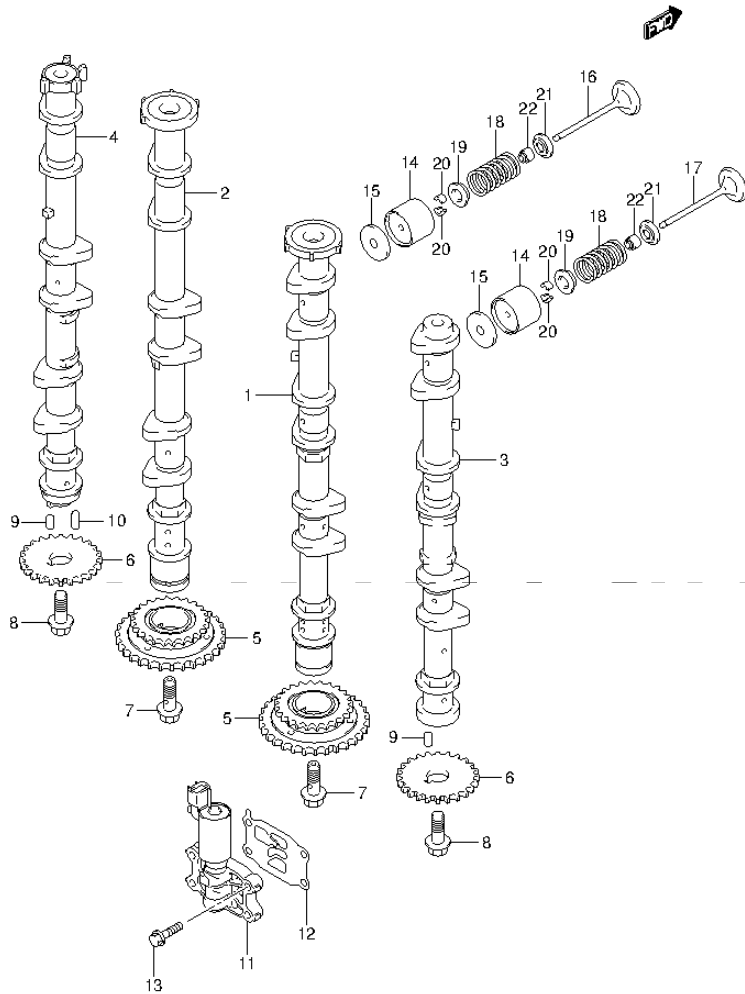


FIG.39 (1-F-7) CAMSHAFT (DF250Z E40)

REF NO.	PART NO.	DESCRIPTION	Q'TY	REMARKS
1	12701-93J50	CAMSHAFT, INTAKE STBD	1	
2	12705-93J50	CAMSHAFT, INTAKE PORT	1	
3	12721-93J50	CAMSHAFT, EXH STBD	1	
4	12729-93J50	CAMSHAFT, EXH PORT	1	
5	12740-93J00	SPROCKET ASSY, CAM TIMING (NT:22/32)	2	
6	12748-93J00	SPROCKET, CAMSHAFT (NT:22)	2	
7	12753-93J00	BOLT, INTAKE CAMSHAFT	2	
8	12749-93J00	BOLT, CAMSHAFT EXHAUST	2	
9	09202-05032	PIN (5X12)	3	
10	09261-05006	PIN (5X18)	1	
11	16550-93J00	VALVE, OIL CONTROL	2	
12	16555-93J00	GASKET, VALVE	2	
13	01550-06257	BOLT	8	
14	12891-93J00	TAPPET	24	
15-1	12892-93J00-218	SHIM, TAPPET (T:2.175)	AR	
15-2	12892-93J00-220	SHIM, TAPPET (T:2.200)	AR	
15-3	12892-93J00-223	SHIM, TAPPET (T:2.225)	AR	
15-4	12892-93J00-225	SHIM, TAPPET (T:2.250)	AR	
15-5	12892-93J00-228	SHIM, TAPPET (T:2.275)	AR	
15-6	12892-93J00-230	SHIM, TAPPET (T:2.300)	AR	
15-7	12892-93J00-233	SHIM, TAPPET (T:2.325)	AR	
15-8	12892-93J00-235	SHIM, TAPPET (T:2.350)	AR	
15-9	12892-93J00-238	SHIM, TAPPET (T:2.375)	AR	
15-10	12892-93J00-240	SHIM, TAPPET (T:2.400)	AR	
15-11	12892-93J00-243	SHIM, TAPPET (T:2.425)	AR	
15-12	12892-93J00-245	SHIM, TAPPET (T:2.450)	AR	
15-13	12892-93J00-248	SHIM, TAPPET (T:2.475)	AR	
15-14	12892-93J00-250	SHIM, TAPPET (T:2.500)	AR	
15-15	12892-93J00-253	SHIM, TAPPET (T:2.525)	AR	
15-16	12892-93J00-255	SHIM, TAPPET (T:2.550)	AR	
15-17	12892-93J00-258	SHIM, TAPPET (T:2.575)	AR	
15-18	12892-93J00-260	SHIM, TAPPET (T:2.600)	AR	
15-19	12892-93J00-263	SHIM, TAPPET (T:2.625)	AR	

FIG.39

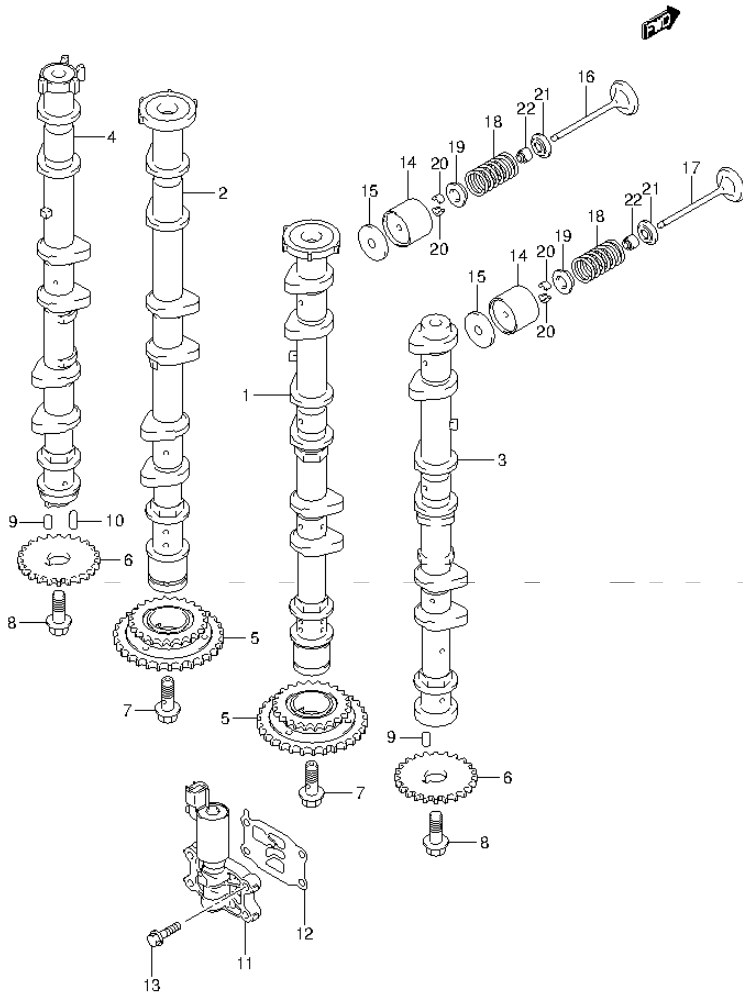


FIG.39 (1-F-8) CAMSHAFT (DF250Z E40)

REF NO.	PART NO.	DESCRIPTION	Q'TY	REMARKS
15-20	12892-93J00-265	SHIM, TAPPET (T:2.650)	AR	
15-21	12892-93J00-268	SHIM, TAPPET (T:2.675)	AR	
15-22	12892-93J00-270	SHIM, TAPPET (T:2.700)	AR	
15-23	12892-93J00-273	SHIM, TAPPET (T:2.725)	AR	
15-24	12892-93J00-275	SHIM, TAPPET (T:2.750)	AR	
15-25	12892-93J00-278	SHIM, TAPPET (T:2.775)	AR	
15-26	12892-93J00-280	SHIM, TAPPET (T:2.800)	AR	
15-27	12892-93J00-283	SHIM, TAPPET (T:2.825)	AR	
15-28	12892-93J00-285	SHIM, TAPPET (T:2.850)	AR	
15-29	12892-93J00-288	SHIM, TAPPET (T:2.875)	AR	
15-30	12892-93J00-290	SHIM, TAPPET (T:2.900)	AR	
15-31	12892-93J00-293	SHIM, TAPPET (T:2.925)	AR	
15-32	12892-93J00-295	SHIM, TAPPET (T:2.950)	AR	
15-33	12892-93J00-298	SHIM, TAPPET (T:2.975)	AR	
15-34	12892-93J00-300	SHIM, TAPPET (T:3.000)	AR	
16	12911-93J00	VALVE, INTAKE	12	
17	12915-93J50	VALVE, EXHAUST	12	
18	12921-93J10	SPRING, VALVE	24	
19	12931-78G00	RETAINER, VALVE SPRING	24	
20	12932-24400	COTTER, VALVE	48	
21	12933-69G10	SEAT, VALVE SPRING	24	
22	09289-05012	OIL SEAL (5.5X11.5X9.3)	24	

FIG.40

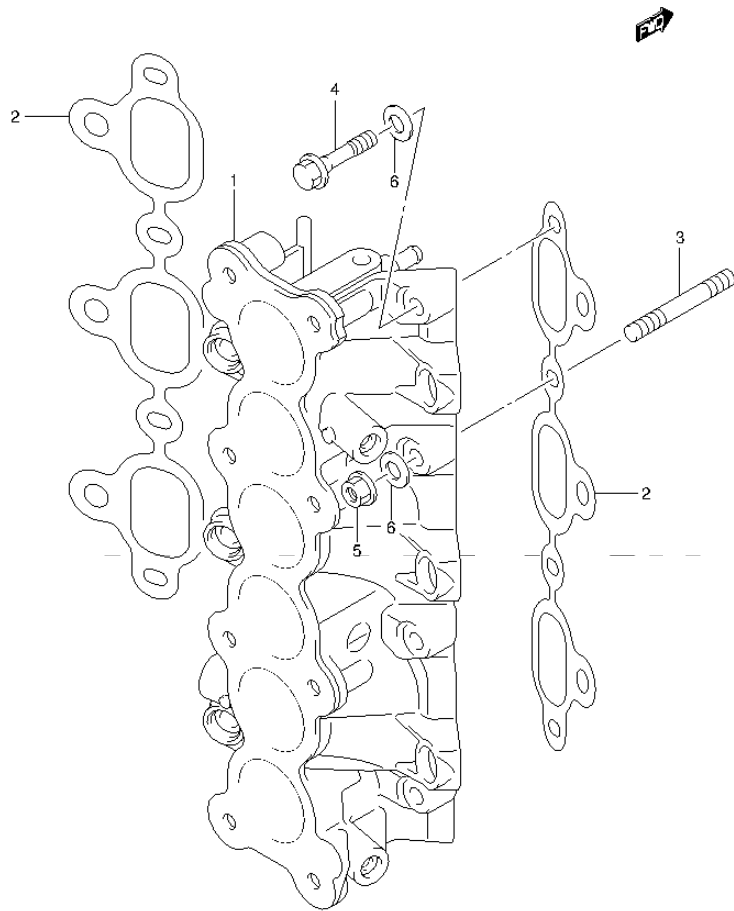


FIG.40 (1-F-9) INTAKE MANIFOLD

REF NO.	PART NO.	DESCRIPTION	Q'TY	REMARKS
1	13110-93J00	MANIFOLD, INTAKE	1	
2	13119-93J00	GASKET, INTAKE MANIFOLD	2	
3	09108-08282	STUD BOLT	4	
4	09103-08437	BOLT (8X65)	4	
5	09159-08136	NUT	4	
6	09160-08016	WASHER (8.5X20X2)	8	

FIG.41

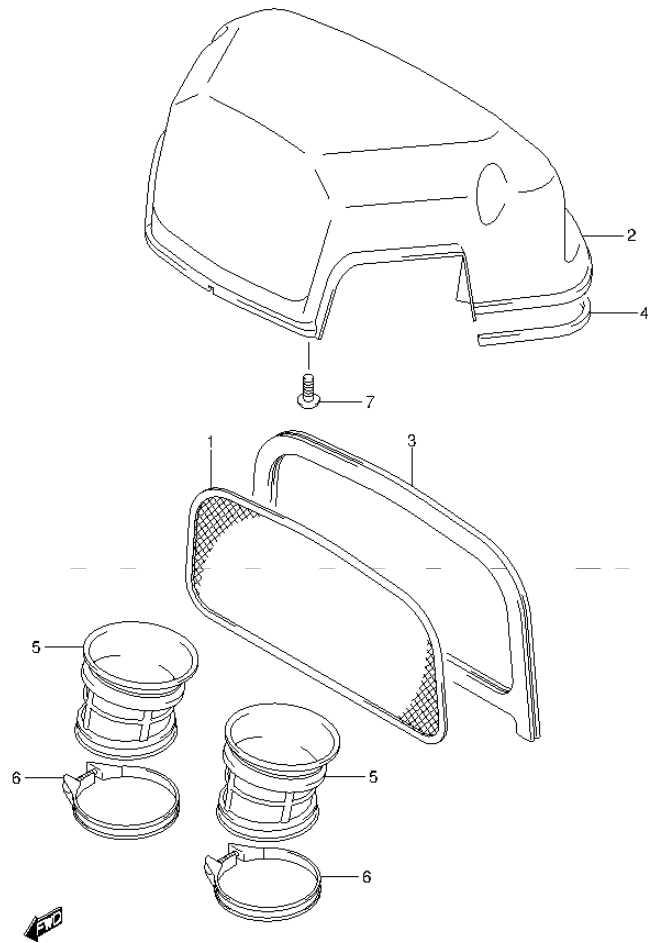


FIG.41 (1-F-10) SILENCER

REF NO.	PART NO.	DESCRIPTION	Q'TY	REMARKS
1	13710-93J00	ARRESTER, FLAME	1	
2	13811-93J01	SILENCER, UPPER COVER	1	
3	13813-93J00	HOLDER, FLAME ARRESTER	1	
4	13851-93J01	SEAL, SILENCER	1	
5	13881-93J00	TUBE, OUTLET	2	
6	17895-93J00	CLAMP	2	
7	02142-06207	SCREW	6	

FIG.42

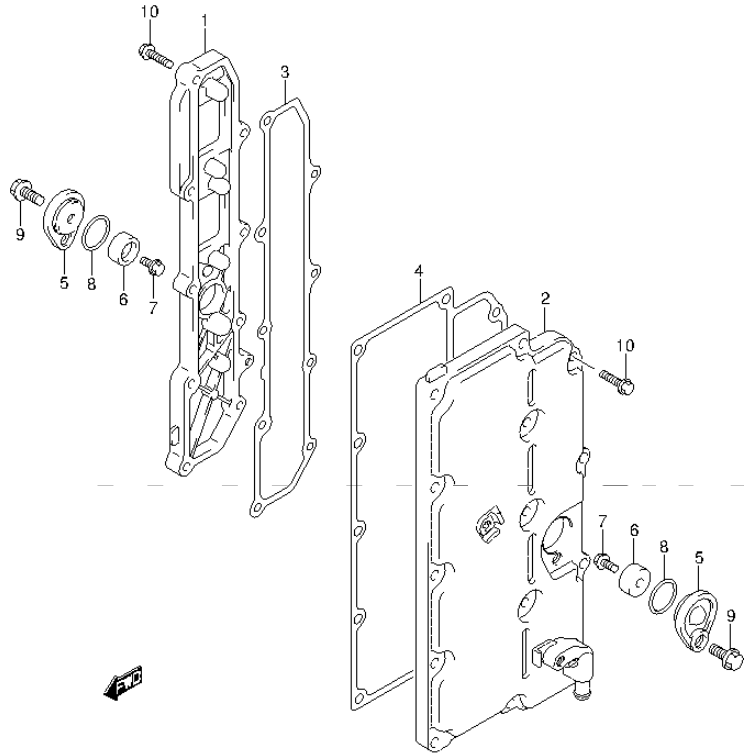
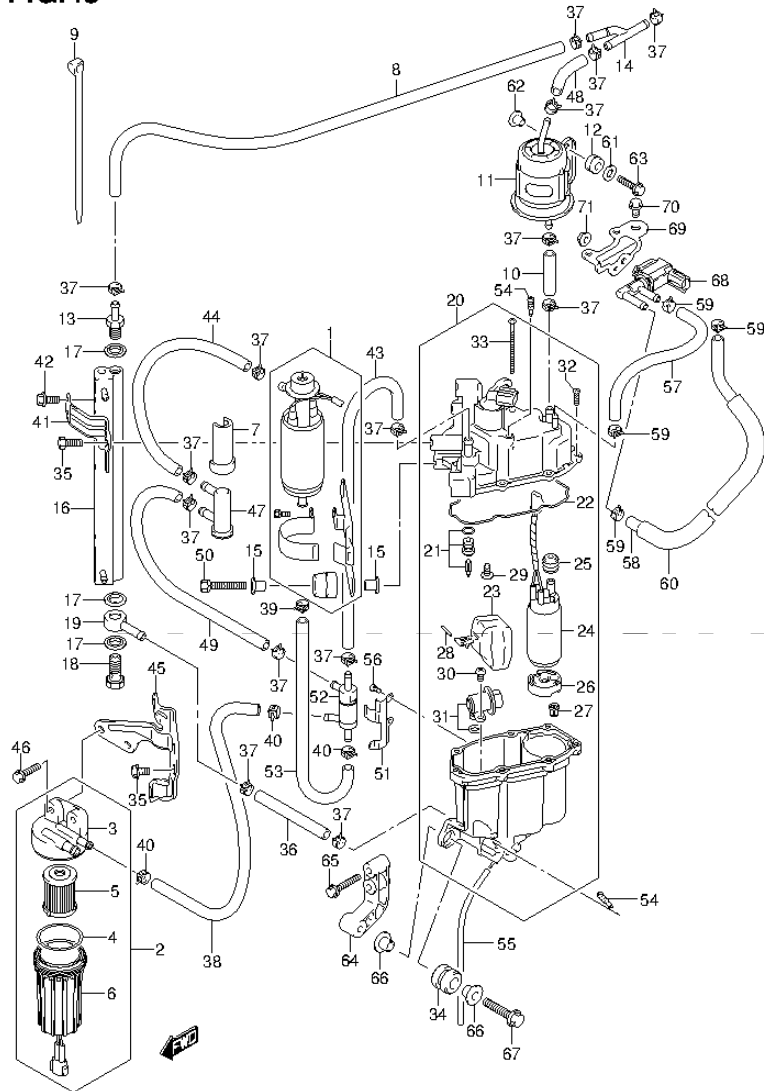


FIG.42 (1-F-11) EXHAUST COVER

REF NO.	PART NO.	DESCRIPTION	Q'TY	REMARKS
1	14141-93J01	COVER, EXHAUST STBD	1	
2	14140-98J01	COVER, EXHAUST PORT	1	
3	14151-93J00	GASKET, EXHAUST COVER STBD	1	
4	14152-93J00	GASKET, EXHAUST COVER PORT	1	
5	11261-93J00	COVER, PROTECTION ANODE	2	
6	55321-87J00	ANODE, PROTECTION	2	
7	09103-06281	BOLT (6X14)	2	
8	09280-22019	O RING (D:1.9,ID:21.8)	2	
9	01550-08207	BOLT	2	
10	01550-06257	BOLT	23	

FIG.43



DF250_E01_013_043
FUEL PUMP / FUEL VAPOR SEPARATOR

FIG.43 (1-F-12) FUEL PUMP / FUEL VAPOR SEPARATOR (DF200T E1)

REF NO.	PART NO.	DESCRIPTION	Q'TY	REMARKS
1	15100-94900	PUMP ASSY, FUEL (L)	1	
2	15410-93J10	FILTER, FUEL (L)	1	
3	15411-93J10	CAP, FILTER	1	
4	15415-93J10	SEAL, NO.1	1	
5	15412-93J10	FILTER ASSY, FUEL	1	
6	15413-93J10	CASE ASSY, FILTER	1	
7	15644-93J00	COVER, FUEL FILTER	3	
8	15633-93J20	HOSE, FUEL (H)	1	
9	15646-93J00	CLAMP, FUEL FILTER	1	
10	09343-75001-600	HOSE (7.5X13.5X600)	1	L:600->65
11	15440-93J00	FILTER, FUEL (EPI)	1	
12	09320-08501	CUSHION	2	
13	15773-90J00	UNION, FUEL HOSE (H)	1	
14	15830-93J00	UNION, 3 WAY	1	
15	09169-06062	WASHER	4	
16	15770-93J00	COOLER, FUEL	1	
17	09168-12013	GASKET (11.8X22X1.2)	3	
18	09360-12008	UNION	1	
19	09363-08004	UNION	1	
20	15600-93J01	SEPARATOR ASSY, FUEL VAPOR	1	
21	13370-93J00	VALVE ASSY, NEEDLE	1	
22	15626-93J00	GASKET, SEPARATOR	1	
23	15650-93J00	FLOAT ASSY	1	
24	15200-93J01	PUMP ASSY, FUEL (H)	1	
25	15647-93J00	BUSH, FUEL PUMP	1	
26	15641-90J00	SPACER, FUEL PUMP	1	
27	15642-90J00	FILTER, FUEL PUMP	1	
28	15654-99E00	PIN, FLOAT	1	
29	02142-0408B	SCREW	1	
30	02112-05107	SCREW	1	
31	15760-93J00	REGULATOR, FUEL PRESSURE	1	
32	15628-99E00	SCREW	6	
33	15627-93J00	SCREW	1	
34	09320-12072	CUSHION	3	

DF250_E01_013

FIG.43

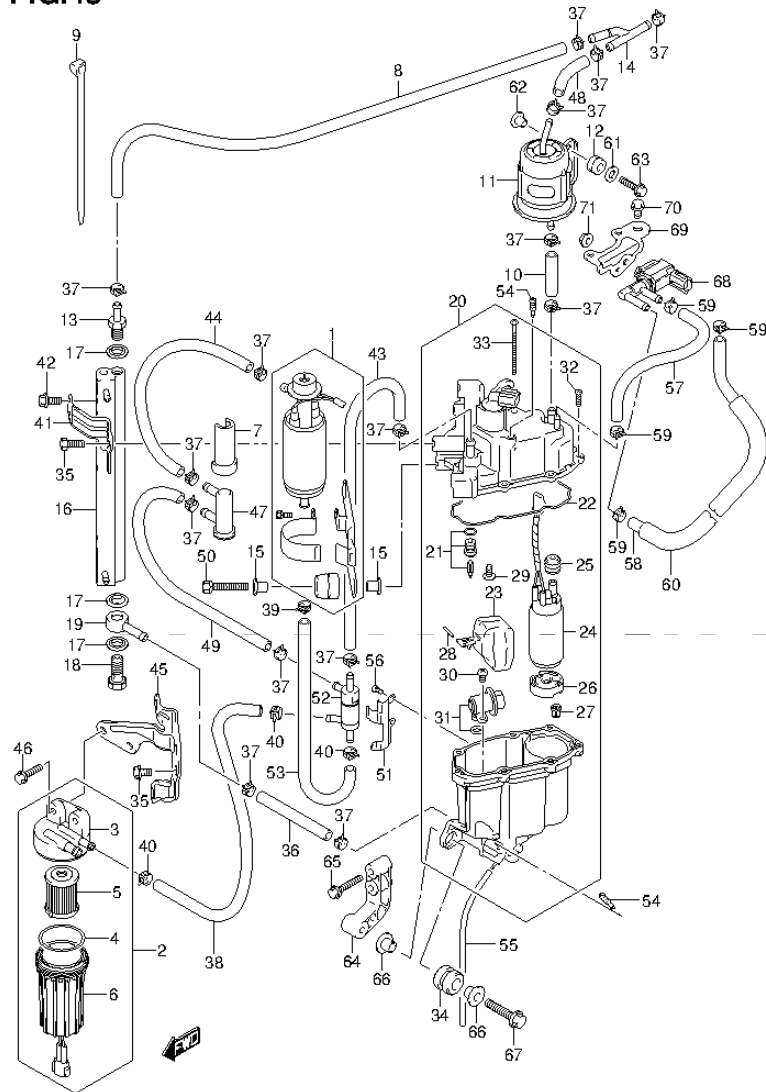
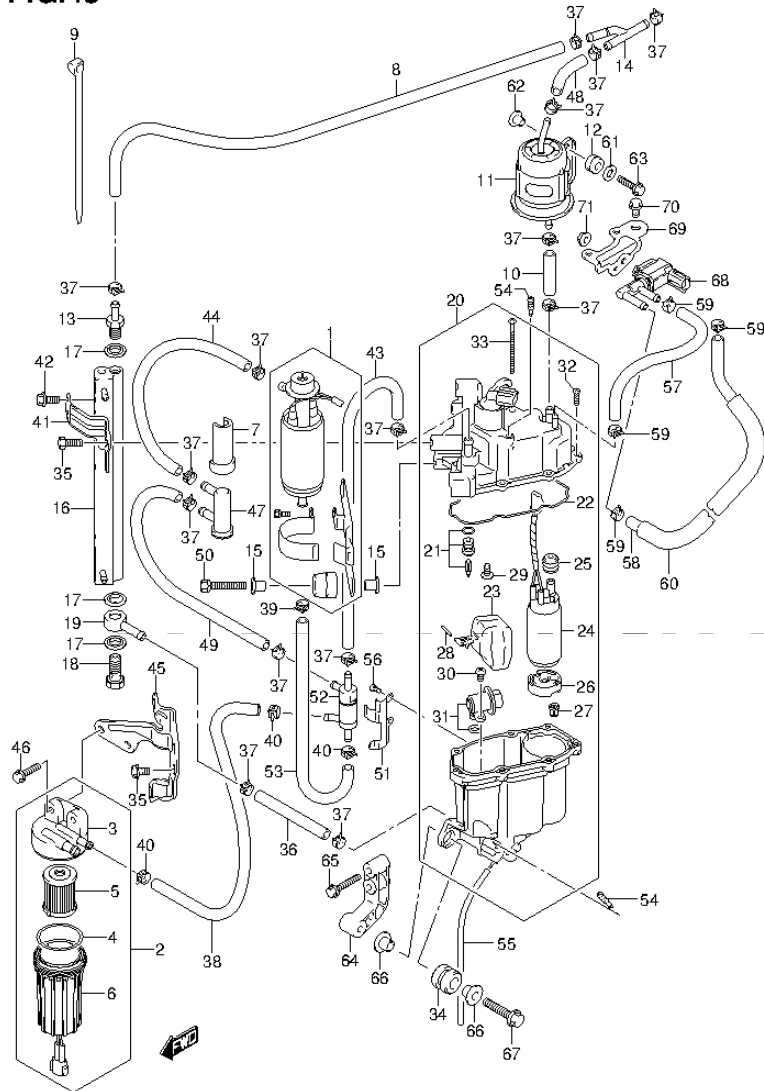


FIG.43 (1-F-13) FUEL PUMP / FUEL VAPOR SEPARATOR (DF200T E1)

REF NO.	PART NO.	DESCRIPTION	Q'TY	REMARKS
35	15675-93J00	BOLT, COOLER BRACKET	3	
36	09343-75001-600	HOSE (7.5X13.5X600)	1	L:600->50
37	09401-11414	CLIP (ID:11.5)	14	
38	15636-98J20	HOSE, FUEL (L)	1	
39	15686-93J00	CLIP	1	
40	15685-93J00	CLIP	3	
41	15672-93J00	BRACKET, FUEL COOLER	1	
42	01500-06167	BOLT	4	
43	15635-93J20	HOSE, FUEL (H)	1	
44	15632-93J20	HOSE, FUEL (H)	1	
45	15673-98J00	BRACKET, FUEL FILTER	1	
46	01550-06257	BOLT	2	
47	15643-93J00	FILTER, FUEL (L)	1	
48	09343-75001-600	HOSE (7.5X13.5X600)	1	L:600->65
49	15634-93J20	HOSE, FUEL (H)	1	
50	01570-06357	BOLT	2	
51	15674-93J00	BRACKET, CHECK VALVE	1	
52	15645-93J00	VALVE, CHECK	1	
53	15637-93J20	HOSE, FUEL (L)	1	
54	15629-99E10	SCREW, DRAIN	2	
55	15683-87J00	HOSE, DRAIN	1	
56	02112-0406B	SCREW	3	
57	09352-50823-600	HOSE (5X8.2X600)	1	L:600->220
58	09352-50823-600	HOSE (5X8.2X600)	1	L:600->550
59	09401-08412	CLIP	4	
60	18498-87JC0	PROTECTOR, EVAP HOSE (L:450)	1	
61	09160-06084	WASHER (6.5X18X1.6)	2	
62	09169-06062	WASHER	2	
63	01500-06257	BOLT	2	
64	15671-93J00	BRACKET, VAPOR SEPARATOR	1	
65	01550-06357	BOLT	2	
66	09169-08042	WASHER	6	
67	01550-08407	BOLT	3	

FIG.43



DF250_E01_013_043
 FUEL PUMP / FUEL VAPOR SEPARATOR

FIG.43 (1-F-14) FUEL PUMP / FUEL VAPOR SEPARATOR (DF200T E1)

REF NO.	PART NO.	DESCRIPTION	Q'TY	REMARKS
68	18117-52G10	VALVE ASSY, EVAP PURGE	1	
69	18417-93J00	BRACKET, PURGE VALVE	1	
70	01550-06127	BOLT	2	
71	08316-10067	NUT	1	

DF250_E01_013

FIG.44

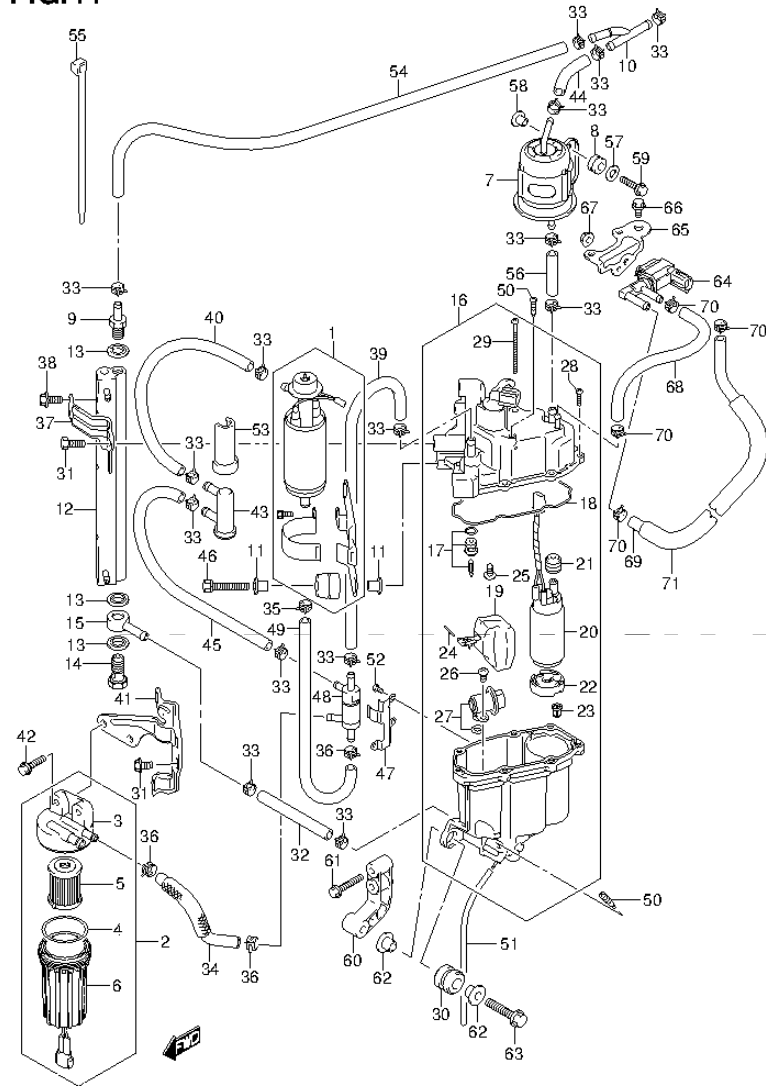


FIG.44 (1-F-15) FUEL PUMP / FUEL VAPOR SEPARATOR (DF200T E40)

REF NO.	PART NO.	DESCRIPTION	Q'TY	REMARKS
1	15100-94900	PUMP ASSY, FUEL (L)	1	
2	15410-93J10	FILTER, FUEL (L)	1	
3	15411-93J10	CAP, FILTER	1	
4	15415-93J10	O RING, NO.1	1	
5	15412-93J10	FILTER, FUEL	1	
6	15413-93J10	CUP, FILTER	1	
7	15440-93J10	FILTER, FUEL (EPI)	1	
8	09320-08501	CUSHION	2	
9	15773-90J00	UNION, FUEL HOSE (H)	1	
10	15830-93J00	UNION, 3 WAY	1	
11	09169-06062	WASHER	4	
12	15770-93J00	COOLER, FUEL	1	
13	15762-90J00	GASKET, FUEL COOLER UNION	3	
14	09360-12013	UNION	1	
15	15830-90J00	UNION, FUEL COOLER	1	
16	15600-93J11	SEPARATOR ASSY, FUEL VAPOR	1	
17	13370-93J10	VALVE ASSY, NEEDLE	1	
18	15626-93J10	GASKET, SEPARATOR	1	
19	15650-93J00	FLOAT ASSY	1	
20	15200-93J11	PUMP ASSY, FUEL (H)	1	
21	15647-93J10	BUSH, FUEL PUMP	1	
22	15641-90J10	SPACER, FUEL PUMP	1	
23	15642-90J00	FILTER, FUEL PUMP	1	
24	15654-99E00	PIN, FLOAT	1	
25	13614-93J00	SCREW	1	
26	15631-99E10	SCREW, REGULATOR	1	
27	15760-93J00	REGULATOR, FUEL PRESSURE	1	
28	15628-99E00	SCREW	6	
29	15627-93J00	SCREW	1	
30	09320-12072	CUSHION	3	
31	15675-93J00	BOLT, COOLER BRACKET	3	
32	09343-75001-600	HOSE (7.5X13.5X600)	1	L:600->50
33	09401-11414	CLIP (ID:11.5)	14	

FIG.44

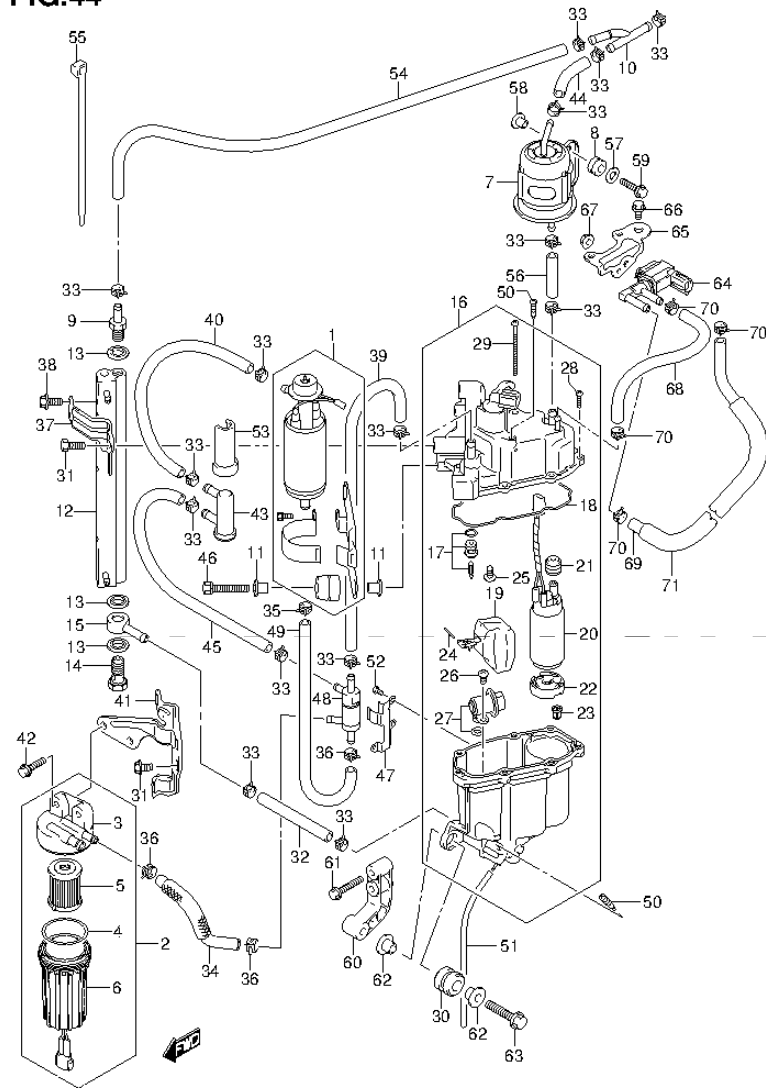
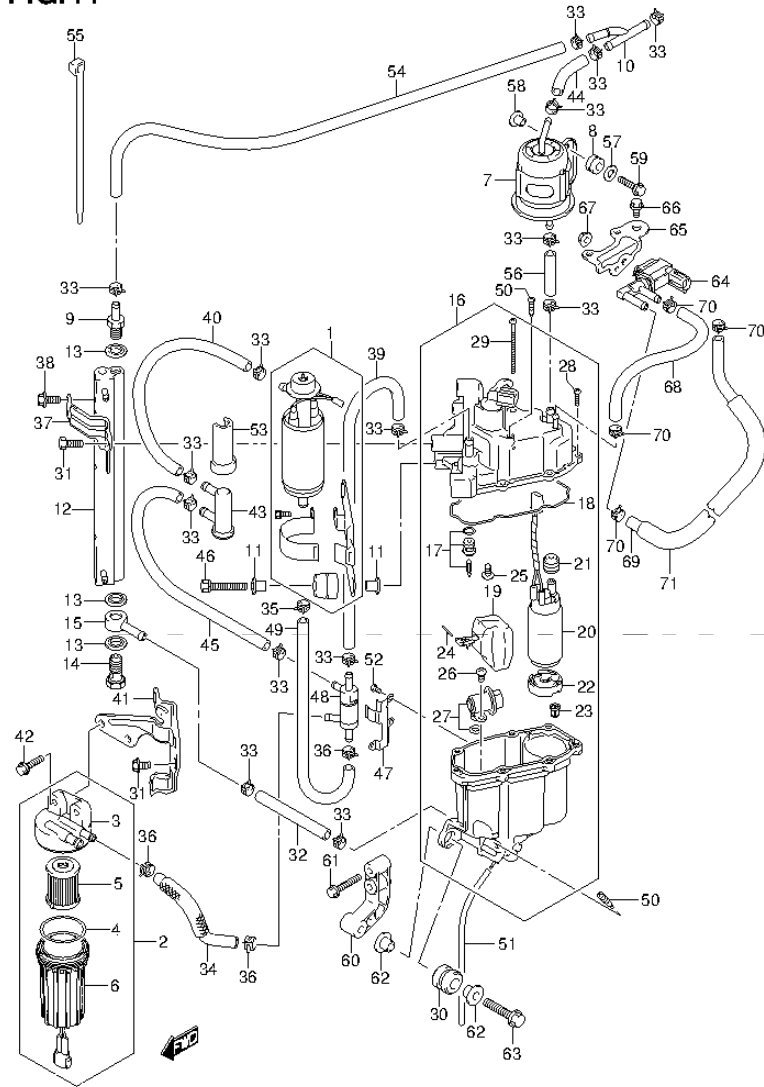


FIG.44 (1-G-2) FUEL PUMP / FUEL VAPOR SEPARATOR (DF200T E40)

REF NO.	PART NO.	DESCRIPTION	Q'TY	REMARKS
34	15636-98J20	HOSE, FUEL (L)	1	
35	15686-93J00	CLIP (ID:11.5)	1	
36	15685-93J00	CLIP	3	
37	15672-93J00	BRACKET, FUEL COOLER	1	
38	01500-06167	BOLT	4	
39	15635-93J20	HOSE, FUEL (H)	1	
40	15632-93J20	HOSE, FUEL (H)	1	
41	15673-98J00	BRACKET, FUEL FILTER	1	
42	01550-06257	BOLT	2	
43	15643-93J00	FILTER, FUEL (L)	1	
44	09343-75001-600	HOSE (7.5X13.5X600)	1	L:600->65
45	15634-93J20	HOSE, FUEL (H)	1	
46	01570-06357	BOLT	2	
47	15674-93J00	BRACKET, CHECK VALVE	1	
48	15645-93J10	VALVE, CHECK	1	
49	15637-93J20	HOSE, FUEL (L)	1	
50	15629-99E10	SCREW, DRAIN	2	
51	15683-87J00	HOSE, DRAIN	1	
52	02112-0406B	SCREW	3	
53	15644-93J00	COVER, FUEL FILTER	3	
54	15633-93J20	HOSE, FUEL (H)	1	
55	15646-93J00	CLAMP, FUEL FILTER	1	
56	09343-75001-600	HOSE (7.5X13.5X600)	1	L:600->65
57	09160-06084	WASHER (6.5X18X1.6)	1	
58	09169-06062	WASHER	2	
59	01500-06257	BOLT	2	
60	15671-93J00	BRACKET, VAPOR SEPARATOR	1	
61	01550-06357	BOLT	2	
62	09169-08042	WASHER	6	
63	01550-08407	BOLT	3	

FIG.44



DF250_E01_013_044
FUEL PUMP / FUEL VAPOR SEPARATOR

FIG.44 (1-G-3) FUEL PUMP / FUEL VAPOR SEPARATOR (DF200T E40)

REF NO.	PART NO.	DESCRIPTION	Q'TY	REMARKS
64	18117-52G10	VALVE ASSY, EVAP PURGE	1	
65	18417-93J00	BRACKET, PURGE VALVE	1	
66	01550-06127	BOLT	2	
67	08316-10067	NUT	1	
68	09352-50823-600	HOSE (5X8.2X600)	1	L:600->220
69	09352-50823-600	HOSE (5X8.2X600)	1	L:600->550
70	09401-08412	CLIP	4	
71	18498-87JC0	PROTECTOR, EVAP HOSE (L:450)	1	

DF250_E01_013

FIG.45

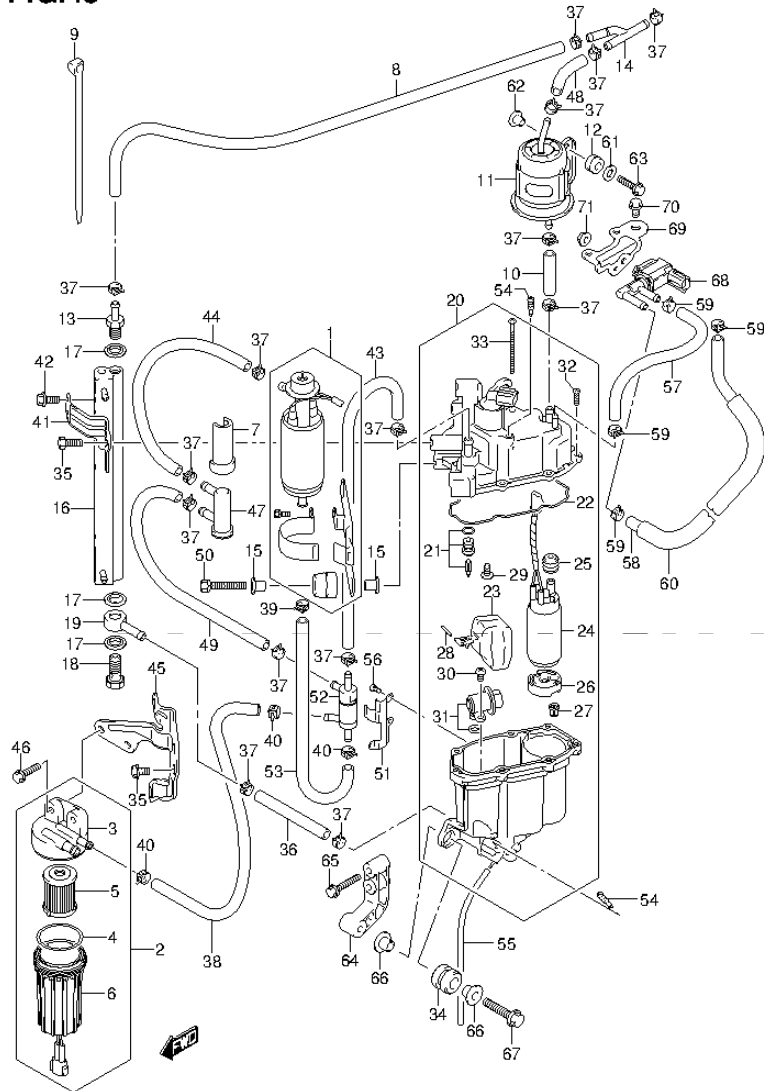
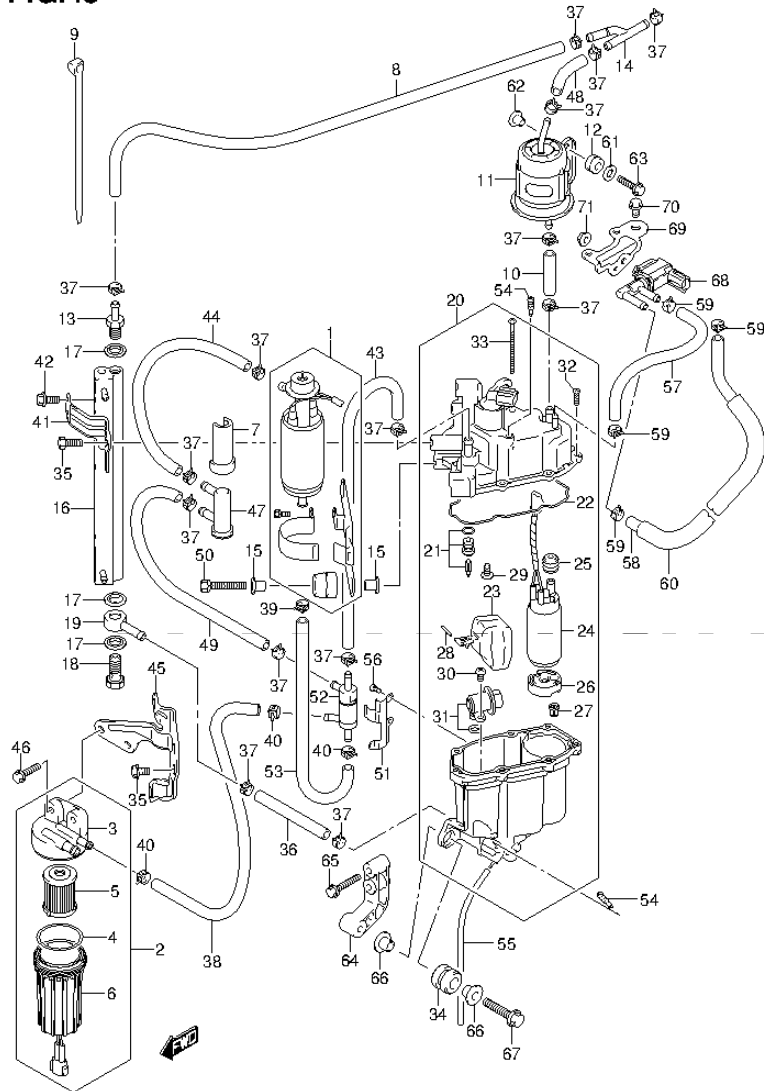


FIG.45 (1-G-4) FUEL PUMP / FUEL VAPOR SEPARATOR (DF200Z E1)

REF NO.	PART NO.	DESCRIPTION	Q'TY	REMARKS
1	15100-94900	PUMP ASSY, FUEL (L)	1	
2	15410-93J10	FILTER, FUEL (L)	1	
3	15411-93J10	CAP, FILTER	1	
4	15415-93J10	SEAL, NO.1	1	
5	15412-93J10	FILTER ASSY, FUEL	1	
6	15413-93J10	CASE ASSY, FILTER	1	
7	15644-93J00	COVER, FUEL FILTER	3	
8	15633-93J20	HOSE, FUEL (H)	1	
9	15646-93J00	CLAMP, FUEL FILTER	1	
10	09343-75001-600	HOSE (7.5X13.5X600)	1	L:600->65
11	15440-93J00	FILTER, FUEL (EPI)	1	
12	09320-08501	CUSHION	2	
13	15773-90J00	UNION, FUEL HOSE (H)	1	
14	15830-93J00	UNION, 3 WAY	1	
15	09169-06062	WASHER	4	
16	15770-93J00	COOLER, FUEL	1	
17	09168-12013	GASKET (11.8X22X1.2)	3	
18	09360-12008	UNION	1	
19	09363-08004	UNION	1	
20	15600-93J01	SEPARATOR ASSY, FUEL VAPOR	1	
21	13370-93J00	VALVE ASSY, NEEDLE	1	
22	15626-93J00	GASKET, SEPARATOR	1	
23	15650-93J00	FLOAT ASSY	1	
24	15200-93J01	PUMP ASSY, FUEL (H)	1	
25	15647-93J00	BUSH, FUEL PUMP	1	
26	15641-90J00	SPACER, FUEL PUMP	1	
27	15642-90J00	FILTER, FUEL PUMP	1	
28	15654-99E00	PIN, FLOAT	1	
29	02142-0408B	SCREW	1	
30	02112-05107	SCREW	1	
31	15760-93J00	REGULATOR, FUEL PRESSURE	1	
32	15628-99E00	SCREW	6	
33	15627-93J00	SCREW	1	
34	09320-12072	CUSHION	3	

FIG.45



DF250_E01_013_045
FUEL PUMP / FUEL VAPOR SEPARATOR

FIG.45 (1-G-5) FUEL PUMP / FUEL VAPOR SEPARATOR (DF200Z E1)

REF NO.	PART NO.	DESCRIPTION	Q'TY	REMARKS
35	15675-93J00	BOLT, COOLER BRACKET	3	
36	09343-75001-600	HOSE (7.5X13.5X600)	1	L:600->50
37	09401-11414	CLIP (ID:11.5)	14	
38	15636-98J20	HOSE, FUEL (L)	1	
39	15686-93J00	CLIP	1	
40	15685-93J00	CLIP	3	
41	15672-93J00	BRACKET, FUEL COOLER	1	
42	01500-06167	BOLT	4	
43	15635-93J20	HOSE, FUEL (H)	1	
44	15632-93J20	HOSE, FUEL (H)	1	
45	15673-98J00	BRACKET, FUEL FILTER	1	
46	01550-06257	BOLT	2	
47	15643-93J00	FILTER, FUEL (L)	1	
48	09343-75001-600	HOSE (7.5X13.5X600)	1	L:600->65
49	15634-93J20	HOSE, FUEL (H)	1	
50	01570-06357	BOLT	2	
51	15674-93J00	BRACKET, CHECK VALVE	1	
52	15645-93J00	VALVE, CHECK	1	
53	15637-93J20	HOSE, FUEL (L)	1	
54	15629-99E10	SCREW, DRAIN	2	
55	15683-87J00	HOSE, DRAIN	1	
56	02112-0406B	SCREW	3	
57	09352-50823-600	HOSE (5X8.2X600)	1	L:600->220
58	09352-50823-600	HOSE (5X8.2X600)	1	L:600->550
59	09401-08412	CLIP	4	
60	18498-87JC0	PROTECTOR, EVAP HOSE (L:450)	1	
61	09160-06084	WASHER (6.5X18X1.6)	2	
62	09169-06062	WASHER	2	
63	01500-06257	BOLT	2	
64	15671-93J00	BRACKET, VAPOR SEPARATOR	1	
65	01550-06357	BOLT	2	
66	09169-08042	WASHER	6	
67	01550-08407	BOLT	3	

DF250_E01_013

FIG.45

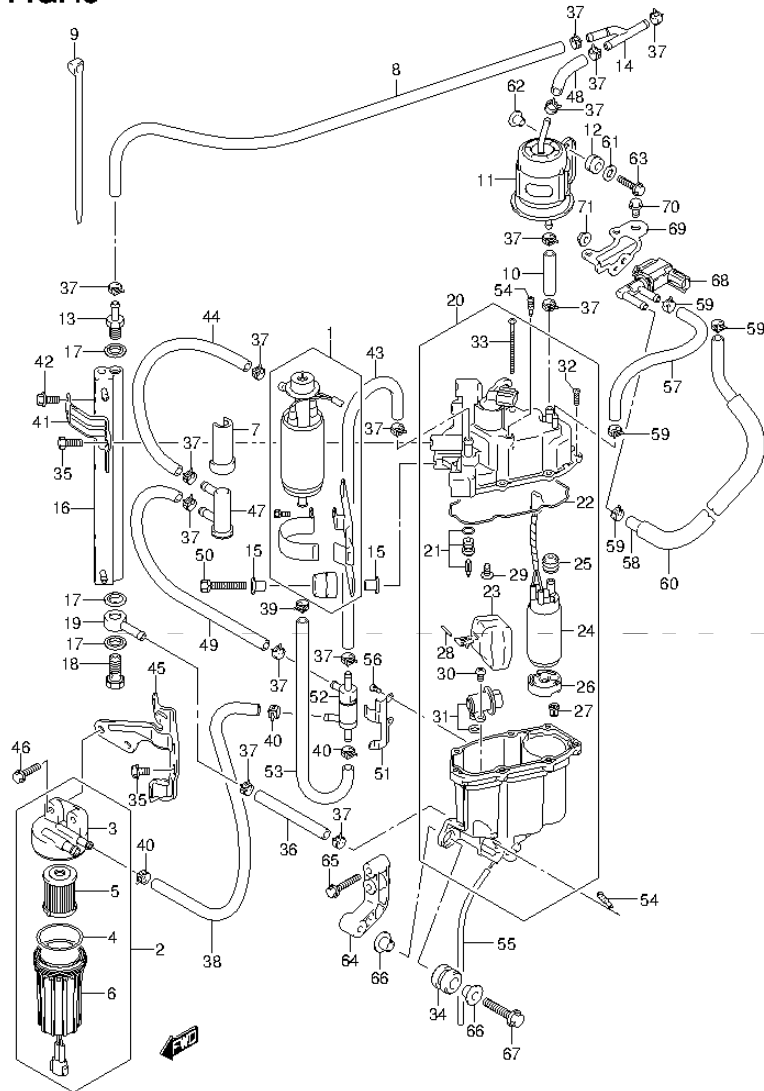


FIG.45 (1-G-6) FUEL PUMP / FUEL VAPOR SEPARATOR (DF200Z E1)

REF NO.	PART NO.	DESCRIPTION	Q'TY	REMARKS
68	18117-52G10	VALVE ASSY, EVAP PURGE	1	
69	18417-93J00	BRACKET, PURGE VALVE	1	
70	01550-06127	BOLT	2	
71	08316-10067	NUT	1	

FIG.46

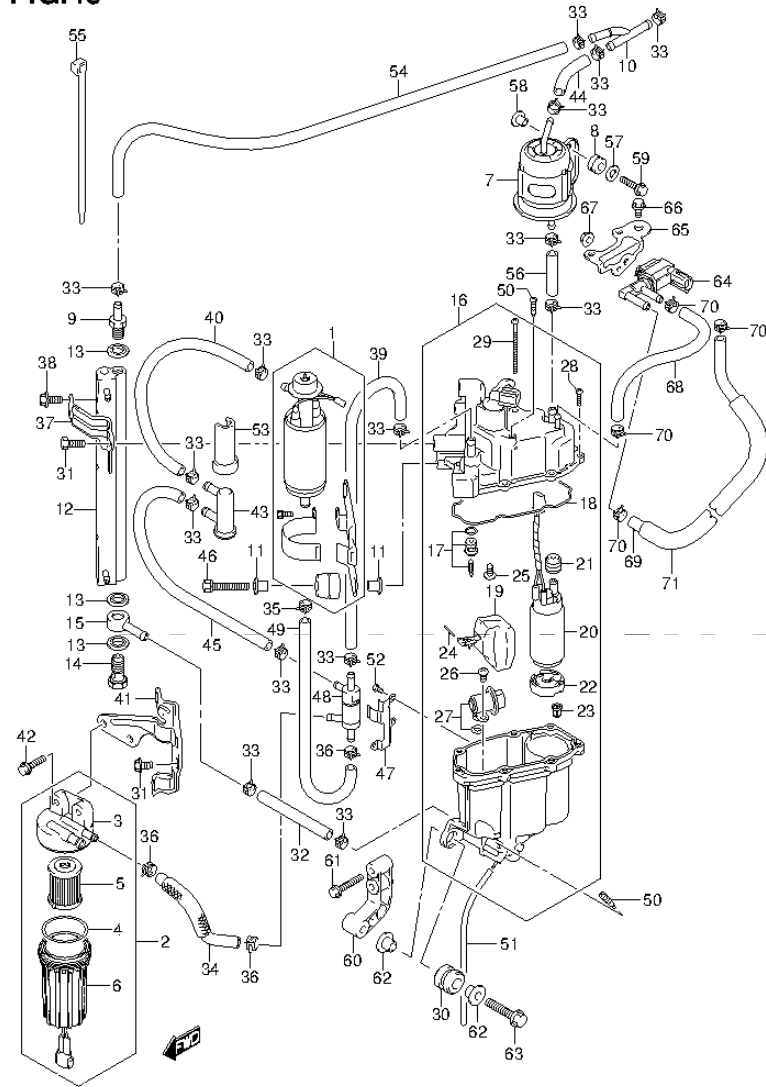


FIG.46 (1-G-7) FUEL PUMP / FUEL VAPOR SEPARATOR (DF200Z E40)

REF NO.	PART NO.	DESCRIPTION	Q'TY	REMARKS
1	15100-94900	PUMP ASSY, FUEL (L)	1	
2	15410-93J10	FILTER, FUEL (L)	1	
3	15411-93J10	CAP, FILTER	1	
4	15415-93J10	O RING, NO.1	1	
5	15412-93J10	FILTER, FUEL	1	
6	15413-93J10	CUP, FILTER	1	
7	15440-93J10	FILTER, FUEL (EPI)	1	
8	09320-08501	CUSHION	2	
9	15773-90J00	UNION, FUEL HOSE (H)	1	
10	15830-93J00	UNION, 3 WAY	1	
11	09169-06062	WASHER	4	
12	15770-93J00	COOLER, FUEL	1	
13	15762-90J00	GASKET, FUEL COOLER UNION	3	
14	09360-12013	UNION	1	
15	15830-90J00	UNION, FUEL COOLER	1	
16	15600-93J11	SEPARATOR ASSY, FUEL VAPOR	1	
17	13370-93J10	VALVE ASSY, NEEDLE	1	
18	15626-93J10	GASKET, SEPARATOR	1	
19	15650-93J00	FLOAT ASSY	1	
20	15200-93J11	PUMP ASSY, FUEL (H)	1	
21	15647-93J10	BUSH, FUEL PUMP	1	
22	15641-90J10	SPACER, FUEL PUMP	1	
23	15642-90J00	FILTER, FUEL PUMP	1	
24	15654-99E00	PIN, FLOAT	1	
25	13614-93J00	SCREW	1	
26	15631-99E10	SCREW, REGULATOR	1	
27	15760-93J00	REGULATOR, FUEL PRESSURE	1	
28	15628-99E00	SCREW	6	
29	15627-93J00	SCREW	1	
30	09320-12072	CUSHION	3	
31	15675-93J00	BOLT, COOLER BRACKET	3	
32	09343-75001-600	HOSE (7.5X13.5X600)	1	L:600->50
33	09401-11414	CLIP (ID:11.5)	14	
34	15636-98J20	HOSE, FUEL (L)	1	

FIG.46

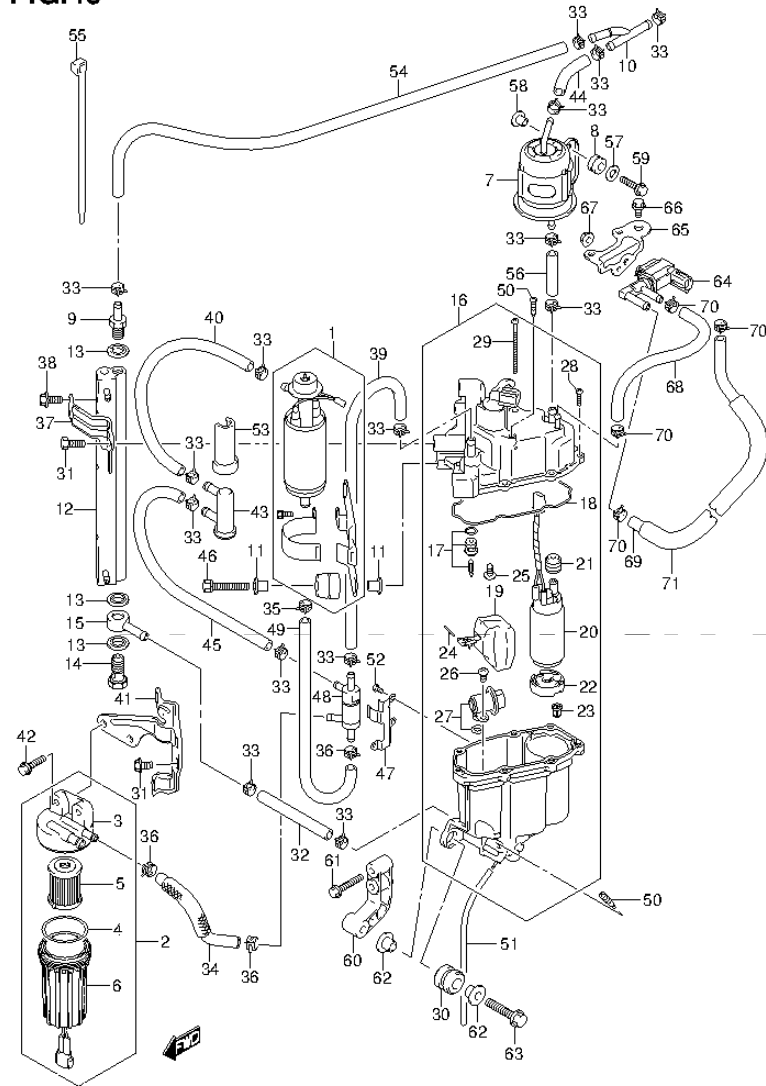
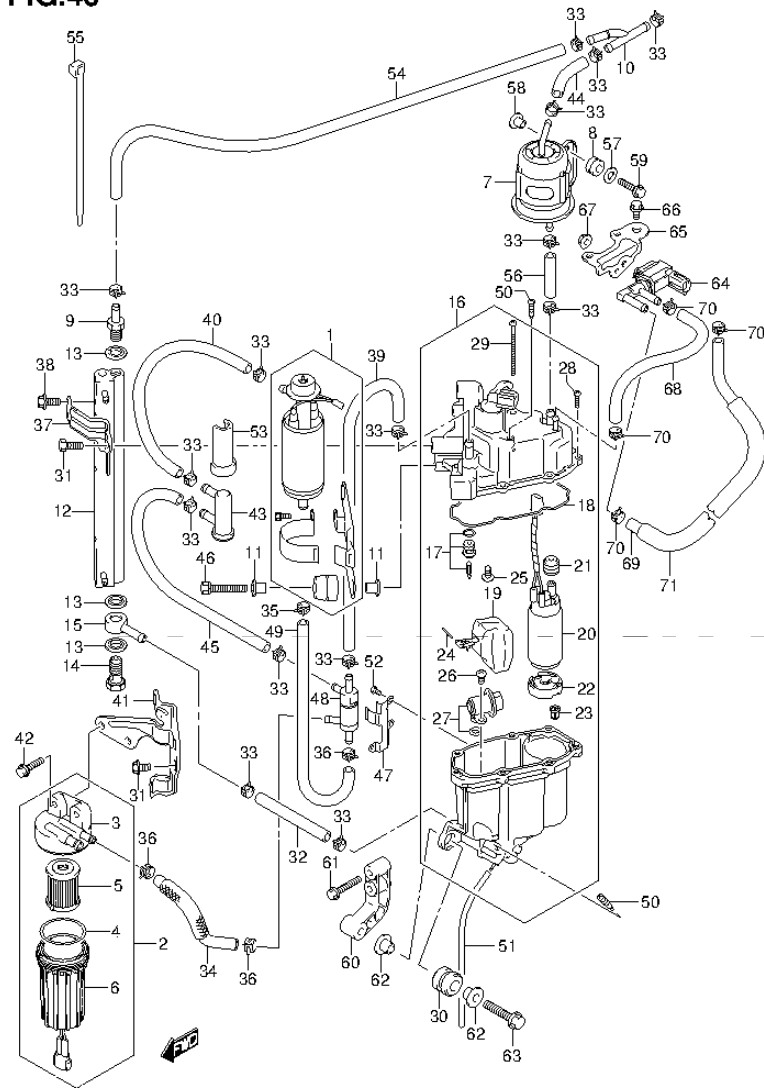


FIG.46 (1-G-8) FUEL PUMP / FUEL VAPOR SEPARATOR (DF200Z E40)

REF NO.	PART NO.	DESCRIPTION	Q'TY	REMARKS
35	15686-93J00	CLIP (ID:11.5)	1	
36	15685-93J00	CLIP	3	
37	15672-93J00	BRACKET, FUEL COOLER	1	
38	01500-06167	BOLT	4	
39	15635-93J20	HOSE, FUEL (H)	1	
40	15632-93J20	HOSE, FUEL (H)	1	
41	15673-98J00	BRACKET, FUEL FILTER	1	
42	01550-06257	BOLT	2	
43	15643-93J00	FILTER, FUEL (L)	1	
44	09343-75001-600	HOSE (7.5X13.5X600)	1	L:600->65
45	15634-93J20	HOSE, FUEL (H)	1	
46	01570-06357	BOLT	2	
47	15674-93J00	BRACKET, CHECK VALVE	1	
48	15645-93J10	VALVE, CHECK	1	
49	15637-93J20	HOSE, FUEL (L)	1	
50	15629-99E10	SCREW, DRAIN	2	
51	15683-87J00	HOSE, DRAIN	1	
52	02112-0406B	SCREW	3	
53	15644-93J00	COVER, FUEL FILTER	3	
54	15633-93J20	HOSE, FUEL (H)	1	
55	15646-93J00	CLAMP, FUEL FILTER	1	
56	09343-75001-600	HOSE (7.5X13.5X600)	1	L:600->65
57	09160-06084	WASHER (6.5X18X1.6)	1	
58	09169-06062	WASHER	2	
59	01500-06257	BOLT	2	
60	15671-93J00	BRACKET, VAPOR SEPARATOR	1	
61	01550-06357	BOLT	2	
62	09169-08042	WASHER	6	
63	01550-08407	BOLT	3	

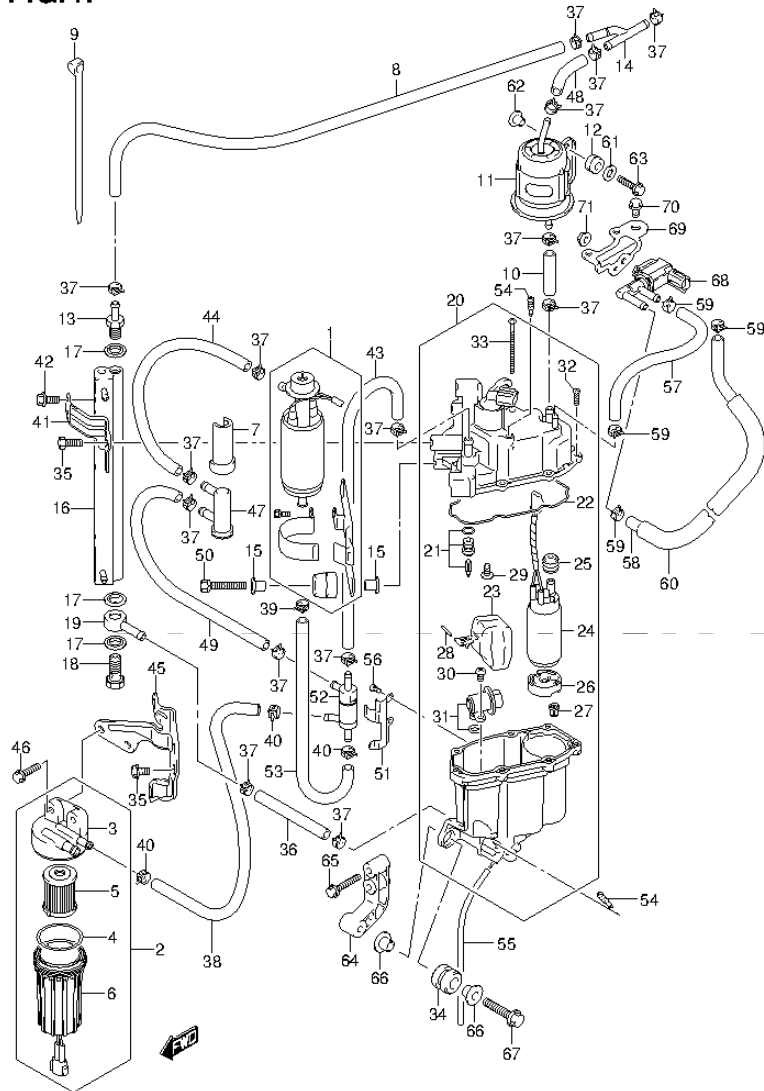
FIG.46

FIG.46 (1-G-9) FUEL PUMP / FUEL VAPOR SEPARATOR (DF200Z E40)



REF NO.	PART NO.	DESCRIPTION	Q'TY	REMARKS
64	18117-52G10	VALVE ASSY, EVAP PURGE	1	
65	18417-93J00	BRACKET, PURGE VALVE	1	
66	01550-06127	BOLT	2	
67	08316-10067	NUT	1	
68	09352-50823-600	HOSE (5X8.2X600)	1	L:600->220
69	09352-50823-600	HOSE (5X8.2X600)	1	L:600->550
70	09401-08412	CLIP	4	
71	18498-87JC0	PROTECTOR, EVAP HOSE (L:450)	1	

FIG.47



DF250_E01_013_047
FUEL PUMP / FUEL VAPOR SEPARATOR

FIG.47 (1-G-10) FUEL PUMP / FUEL VAPOR SEPARATOR (DF225T E1)

REF NO.	PART NO.	DESCRIPTION	Q'TY	REMARKS
1	15100-94900	PUMP ASSY, FUEL (L)	1	
2	15410-93J10	FILTER, FUEL (L)	1	
3	15411-93J10	CAP, FILTER	1	
4	15415-93J10	SEAL, NO.1	1	
5	15412-93J10	FILTER ASSY, FUEL	1	
6	15413-93J10	CASE ASSY, FILTER	1	
7	15644-93J00	COVER, FUEL FILTER	3	
8	15633-93J20	HOSE, FUEL (H)	1	
9	15646-93J00	CLAMP, FUEL FILTER	1	
10	09343-75001-600	HOSE (7.5X13.5X600)	1	L:600->65
11	15440-93J00	FILTER, FUEL (EPI)	1	
12	09320-08501	CUSHION	2	
13	15773-90J00	UNION, FUEL HOSE (H)	1	
14	15830-93J00	UNION, 3 WAY	1	
15	09169-06062	WASHER	4	
16	15770-93J00	COOLER, FUEL	1	
17	09168-12013	GASKET (11.8X22X1.2)	3	
18	09360-12008	UNION	1	
19	09363-08004	UNION	1	
20	15600-93J01	SEPARATOR ASSY, FUEL VAPOR	1	
21	13370-93J00	VALVE ASSY, NEEDLE	1	
22	15626-93J00	GASKET, SEPARATOR	1	
23	15650-93J00	FLOAT ASSY	1	
24	15200-93J01	PUMP ASSY, FUEL (H)	1	
25	15647-93J00	BUSH, FUEL PUMP	1	
26	15641-90J00	SPACER, FUEL PUMP	1	
27	15642-90J00	FILTER, FUEL PUMP	1	
28	15654-99E00	PIN, FLOAT	1	
29	02142-0408B	SCREW	1	
30	02112-05107	SCREW	1	
31	15760-93J00	REGULATOR, FUEL PRESSURE	1	
32	15628-99E00	SCREW	6	
33	15627-93J00	SCREW	1	
34	09320-12072	CUSHION	3	

DF250_E01_013

FIG.47

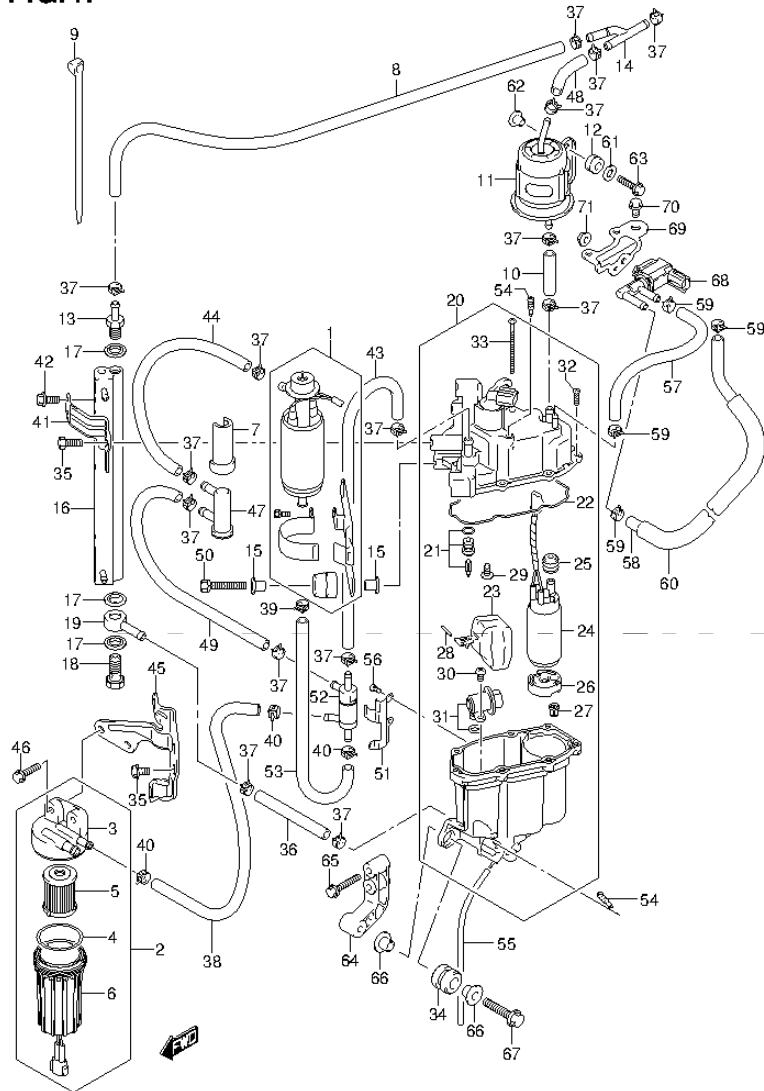


FIG.47 (1-G-11) FUEL PUMP / FUEL VAPOR SEPARATOR (DF225T E1)

REF NO.	PART NO.	DESCRIPTION	Q'TY	REMARKS
35	15675-93J00	BOLT, COOLER BRACKET	3	
36	09343-75001-600	HOSE (7.5X13.5X600)	1	L:600->50
37	09401-11414	CLIP (ID:11.5)	14	
38	15636-98J20	HOSE, FUEL (L)	1	
39	15686-93J00	CLIP	1	
40	15685-93J00	CLIP	3	
41	15672-93J00	BRACKET, FUEL COOLER	1	
42	01500-06167	BOLT	4	
43	15635-93J20	HOSE, FUEL (H)	1	
44	15632-93J20	HOSE, FUEL (H)	1	
45	15673-98J00	BRACKET, FUEL FILTER	1	
46	01550-06257	BOLT	2	
47	15643-93J00	FILTER, FUEL (L)	1	
48	09343-75001-600	HOSE (7.5X13.5X600)	1	L:600->65
49	15634-93J20	HOSE, FUEL (H)	1	
50	01570-06357	BOLT	2	
51	15674-93J00	BRACKET, CHECK VALVE	1	
52	15645-93J00	VALVE, CHECK	1	
53	15637-93J20	HOSE, FUEL (L)	1	
54	15629-99E10	SCREW, DRAIN	2	
55	15683-87J00	HOSE, DRAIN	1	
56	02112-0406B	SCREW	3	
57	09352-50823-600	HOSE (5X8.2X600)	1	L:600->220
58	09352-50823-600	HOSE (5X8.2X600)	1	L:600->550
59	09401-08412	CLIP	4	
60	18498-87JC0	PROTECTOR, EVAP HOSE (L:450)	1	
61	09160-06084	WASHER (6.5X18X1.6)	2	
62	09169-06062	WASHER	2	
63	01500-06257	BOLT	2	
64	15671-93J00	BRACKET, VAPOR SEPARATOR	1	
65	01550-06357	BOLT	2	
66	09169-08042	WASHER	6	
67	01550-08407	BOLT	3	

FIG.48

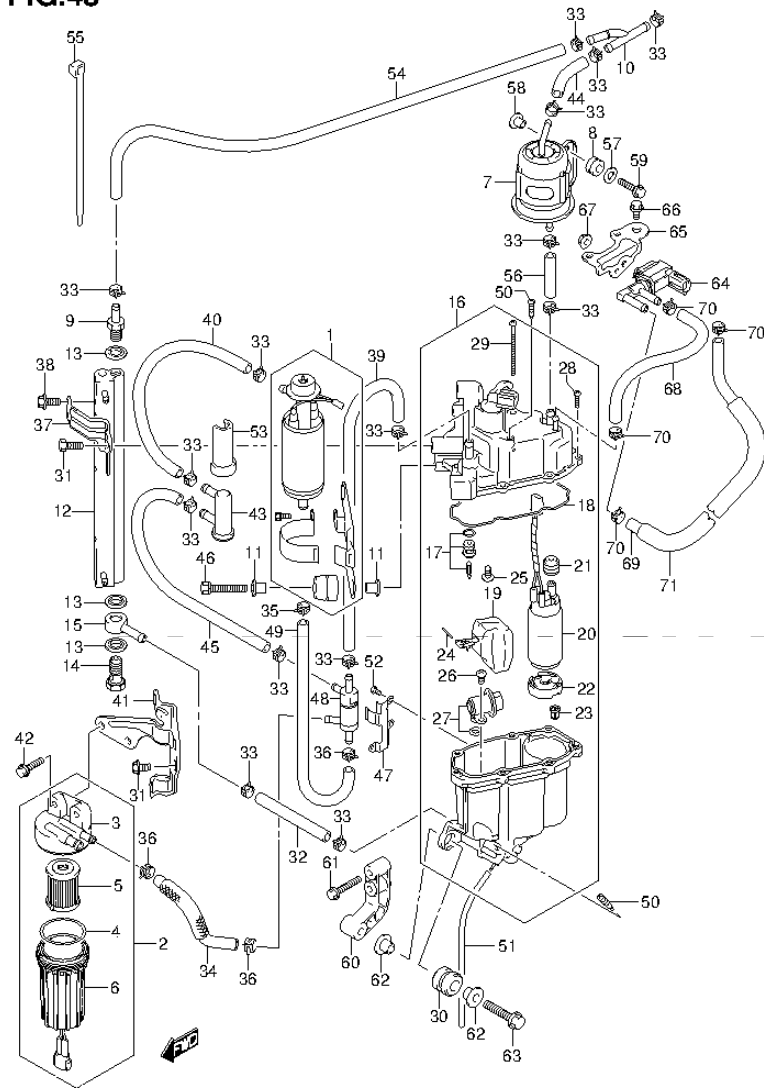
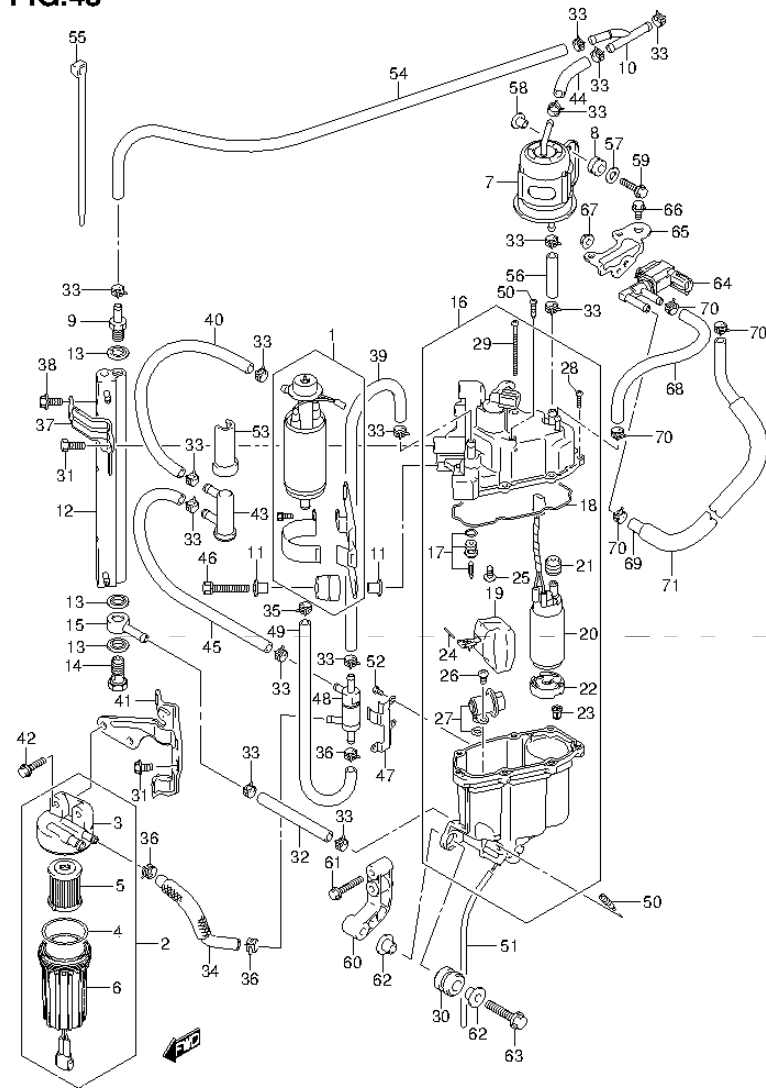


FIG.48 (1-G-13) FUEL PUMP / FUEL VAPOR SEPARATOR (DF225T E40)

REF NO.	PART NO.	DESCRIPTION	Q'TY	REMARKS
1	15100-94900	PUMP ASSY, FUEL (L)	1	
2	15410-93J10	FILTER, FUEL (L)	1	
3	15411-93J10	CAP, FILTER	1	
4	15415-93J10	O RING, NO.1	1	
5	15412-93J10	FILTER, FUEL	1	
6	15413-93J10	CUP, FILTER	1	
7	15440-93J10	FILTER, FUEL (EPI)	1	
8	09320-08501	CUSHION	2	
9	15773-90J00	UNION, FUEL HOSE (H)	1	
10	15830-93J00	UNION, 3 WAY	1	
11	09169-06062	WASHER	4	
12	15770-93J00	COOLER, FUEL	1	
13	15762-90J00	GASKET, FUEL COOLER UNION	3	
14	09360-12013	UNION	1	
15	15830-90J00	UNION, FUEL COOLER	1	
16	15600-93J11	SEPARATOR ASSY, FUEL VAPOR	1	
17	13370-93J10	VALVE ASSY, NEEDLE	1	
18	15626-93J10	GASKET, SEPARATOR	1	
19	15650-93J00	FLOAT ASSY	1	
20	15200-93J11	PUMP ASSY, FUEL (H)	1	
21	15647-93J10	BUSH, FUEL PUMP	1	
22	15641-90J10	SPACER, FUEL PUMP	1	
23	15642-90J00	FILTER, FUEL PUMP	1	
24	15654-99E00	PIN, FLOAT	1	
25	13614-93J00	SCREW	1	
26	15631-99E10	SCREW, REGULATOR	1	
27	15760-93J00	REGULATOR, FUEL PRESSURE	1	
28	15628-99E00	SCREW	6	
29	15627-93J00	SCREW	1	
30	09320-12072	CUSHION	3	
31	15675-93J00	BOLT, COOLER BRACKET	3	
32	09343-75001-600	HOSE (7.5X13.5X600)	1	L:600->50
33	09401-11414	CLIP (ID:11.5)	14	
34	15636-98J20	HOSE, FUEL (L)	1	

FIG.48

FIG.48 (1-G-14) FUEL PUMP / FUEL VAPOR SEPARATOR (DF225T E40)



REF NO.	PART NO.	DESCRIPTION	Q'TY	REMARKS
35	15686-93J00	CLIP (ID:11.5)	1	
36	15685-93J00	CLIP	3	
37	15672-93J00	BRACKET, FUEL COOLER	1	
38	01500-06167	BOLT	4	
39	15635-93J20	HOSE, FUEL (H)	1	
40	15632-93J20	HOSE, FUEL (H)	1	
41	15673-98J00	BRACKET, FUEL FILTER	1	
42	01550-06257	BOLT	2	
43	15643-93J00	FILTER, FUEL (L)	1	
44	09343-75001-600	HOSE (7.5X13.5X600)	1	L:600->65
45	15634-93J20	HOSE, FUEL (H)	1	
46	01570-06357	BOLT	2	
47	15674-93J00	BRACKET, CHECK VALVE	1	
48	15645-93J10	VALVE, CHECK	1	
49	15637-93J20	HOSE, FUEL (L)	1	
50	15629-99E10	SCREW, DRAIN	2	
51	15683-87J00	HOSE, DRAIN	1	
52	02112-0406B	SCREW	3	
53	15644-93J00	COVER, FUEL FILTER	3	
54	15633-93J20	HOSE, FUEL (H)	1	
55	15646-93J00	CLAMP, FUEL FILTER	1	
56	09343-75001-600	HOSE (7.5X13.5X600)	1	L:600->65
57	09160-06084	WASHER (6.5X18X1.6)	1	
58	09169-06062	WASHER	2	
59	01500-06257	BOLT	2	
60	15671-93J00	BRACKET, VAPOR SEPARATOR	1	
61	01550-06357	BOLT	2	
62	09169-08042	WASHER	6	
63	01550-08407	BOLT	3	

FIG.48

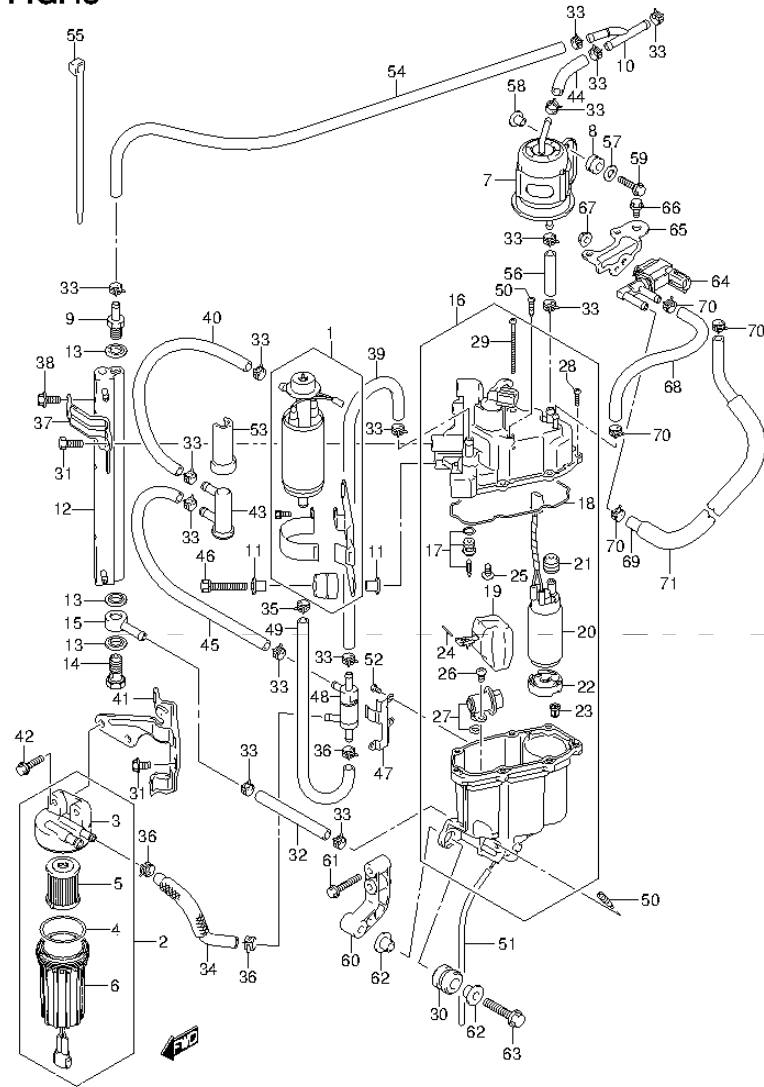


FIG.48 (1-G-15) FUEL PUMP / FUEL VAPOR SEPARATOR (DF225T E40)

REF NO.	PART NO.	DESCRIPTION	Q'TY	REMARKS
64	18117-52G10	VALVE ASSY, EVAP PURGE	1	
65	18417-93J00	BRACKET, PURGE VALVE	1	
66	01550-06127	BOLT	2	
67	08316-10067	NUT	1	
68	09352-50823-600	HOSE (5X8.2X600)	1	L:600->220
69	09352-50823-600	HOSE (5X8.2X600)	1	L:600->550
70	09401-08412	CLIP	4	
71	18498-87JC0	PROTECTOR, EVAP HOSE (L:450)	1	

FIG.49

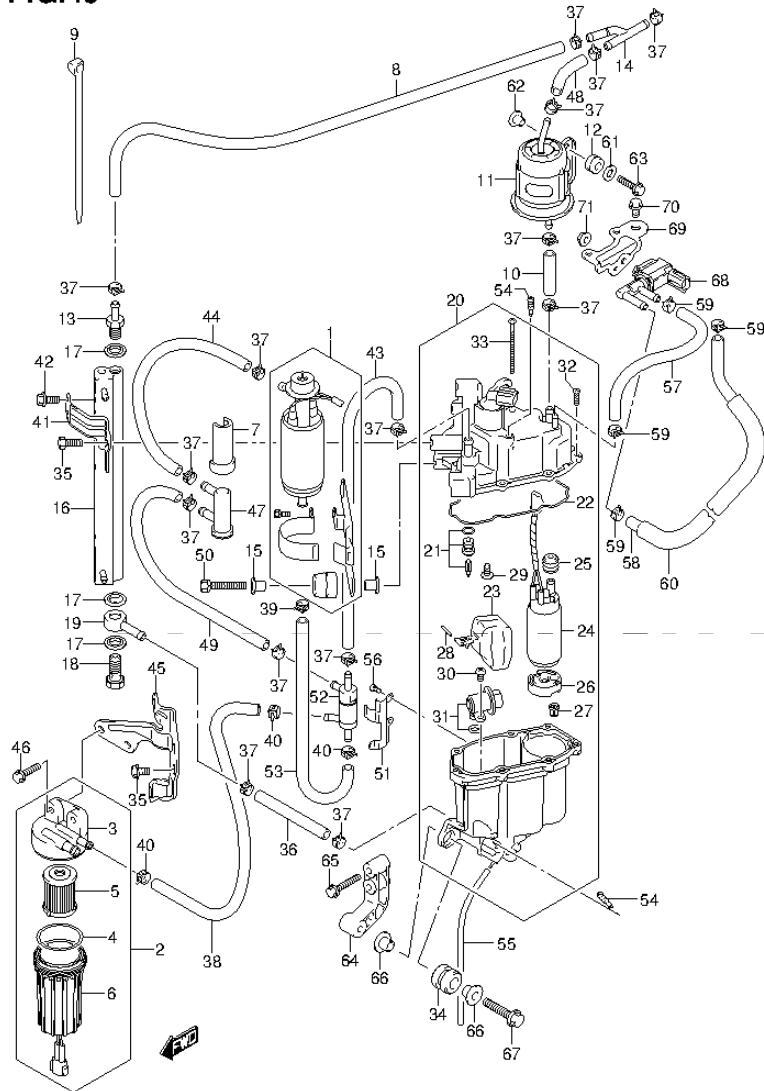


FIG.49 (1-H-2) FUEL PUMP / FUEL VAPOR SEPARATOR (DF225Z E1)

REF NO.	PART NO.	DESCRIPTION	Q'TY	REMARKS
1	15100-94900	PUMP ASSY, FUEL (L)	1	
2	15410-93J10	FILTER, FUEL (L)	1	
3	15411-93J10	CAP, FILTER	1	
4	15415-93J10	SEAL, NO.1	1	
5	15412-93J10	FILTER ASSY, FUEL	1	
6	15413-93J10	CASE ASSY, FILTER	1	
7	15644-93J00	COVER, FUEL FILTER	3	
8	15633-93J20	HOSE, FUEL (H)	1	
9	15646-93J00	CLAMP, FUEL FILTER	1	
10	09343-75001-600	HOSE (7.5X13.5X600)	1	L:600->65
11	15440-93J00	FILTER, FUEL (EPI)	1	
12	09320-08501	CUSHION	2	
13	15773-90J00	UNION, FUEL HOSE (H)	1	
14	15830-93J00	UNION, 3 WAY	1	
15	09169-06062	WASHER	4	
16	15770-93J00	COOLER, FUEL	1	
17	09168-12013	GASKET (11.8X22X1.2)	3	
18	09360-12008	UNION	1	
19	09363-08004	UNION	1	
20	15600-93J01	SEPARATOR ASSY, FUEL VAPOR	1	
21	13370-93J00	VALVE ASSY, NEEDLE	1	
22	15626-93J00	GASKET, SEPARATOR	1	
23	15650-93J00	FLOAT ASSY	1	
24	15200-93J01	PUMP ASSY, FUEL (H)	1	
25	15647-93J00	BUSH, FUEL PUMP	1	
26	15641-90J00	SPACER, FUEL PUMP	1	
27	15642-90J00	FILTER, FUEL PUMP	1	
28	15654-99E00	PIN, FLOAT	1	
29	02142-0408B	SCREW	1	
30	02112-05107	SCREW	1	
31	15760-93J00	REGULATOR, FUEL PRESSURE	1	
32	15628-99E00	SCREW	6	
33	15627-93J00	SCREW	1	
34	09320-12072	CUSHION	3	

FIG.49

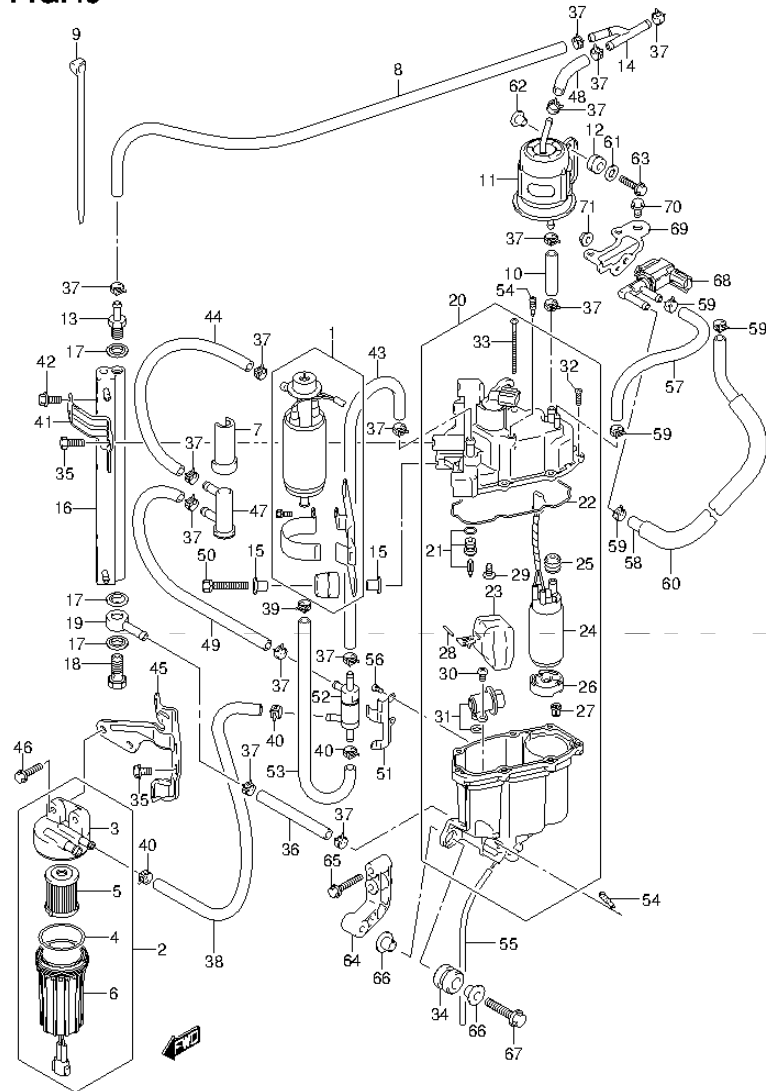


FIG.49 (1-H-3) FUEL PUMP / FUEL VAPOR SEPARATOR (DF225Z E1)

REF NO.	PART NO.	DESCRIPTION	Q'TY	REMARKS
35	15675-93J00	BOLT, COOLER BRACKET	3	
36	09343-75001-600	HOSE (7.5X13.5X600)	1	L:600->50
37	09401-11414	CLIP (ID:11.5)	14	
38	15636-98J20	HOSE, FUEL (L)	1	
39	15686-93J00	CLIP	1	
40	15685-93J00	CLIP	3	
41	15672-93J00	BRACKET, FUEL COOLER	1	
42	01500-06167	BOLT	4	
43	15635-93J20	HOSE, FUEL (H)	1	
44	15632-93J20	HOSE, FUEL (H)	1	
45	15673-98J00	BRACKET, FUEL FILTER	1	
46	01550-06257	BOLT	2	
47	15643-93J00	FILTER, FUEL (L)	1	
48	09343-75001-600	HOSE (7.5X13.5X600)	1	L:600->65
49	15634-93J20	HOSE, FUEL (H)	1	
50	01570-06357	BOLT	2	
51	15674-93J00	BRACKET, CHECK VALVE	1	
52	15645-93J00	VALVE, CHECK	1	
53	15637-93J20	HOSE, FUEL (L)	1	
54	15629-99E10	SCREW, DRAIN	2	
55	15683-87J00	HOSE, DRAIN	1	
56	02112-0406B	SCREW	3	
57	09352-50823-600	HOSE (5X8.2X600)	1	L:600->220
58	09352-50823-600	HOSE (5X8.2X600)	1	L:600->550
59	09401-08412	CLIP	4	
60	18498-87JC0	PROTECTOR, EVAP HOSE (L:450)	1	
61	09160-06084	WASHER (6.5X18X1.6)	2	
62	09169-06062	WASHER	2	
63	01500-06257	BOLT	2	
64	15671-93J00	BRACKET, VAPOR SEPARATOR	1	
65	01550-06357	BOLT	2	
66	09169-08042	WASHER	6	
67	01550-08407	BOLT	3	

FIG.49

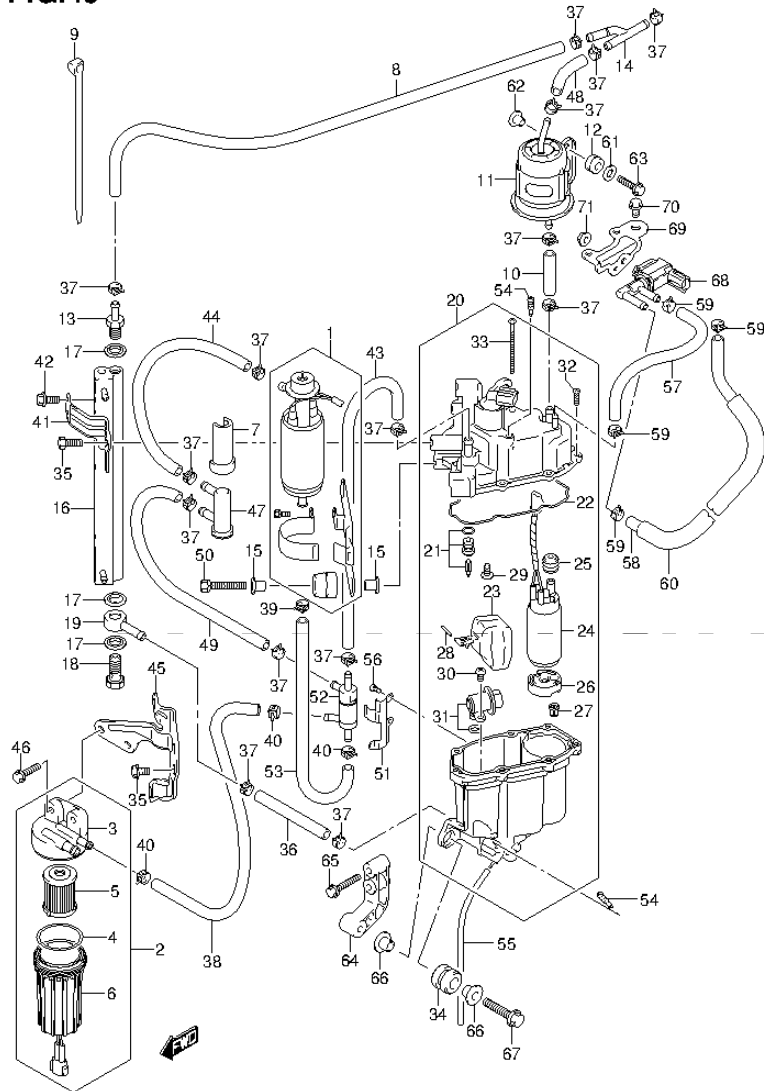


FIG.49 (1-H-4) FUEL PUMP / FUEL VAPOR SEPARATOR (DF225Z E1)

REF NO.	PART NO.	DESCRIPTION	Q'TY	REMARKS
68	18117-52G10	VALVE ASSY, EVAP PURGE	1	
69	18417-93J00	BRACKET, PURGE VALVE	1	
70	01550-06127	BOLT	2	
71	08316-10067	NUT	1	

FIG.50

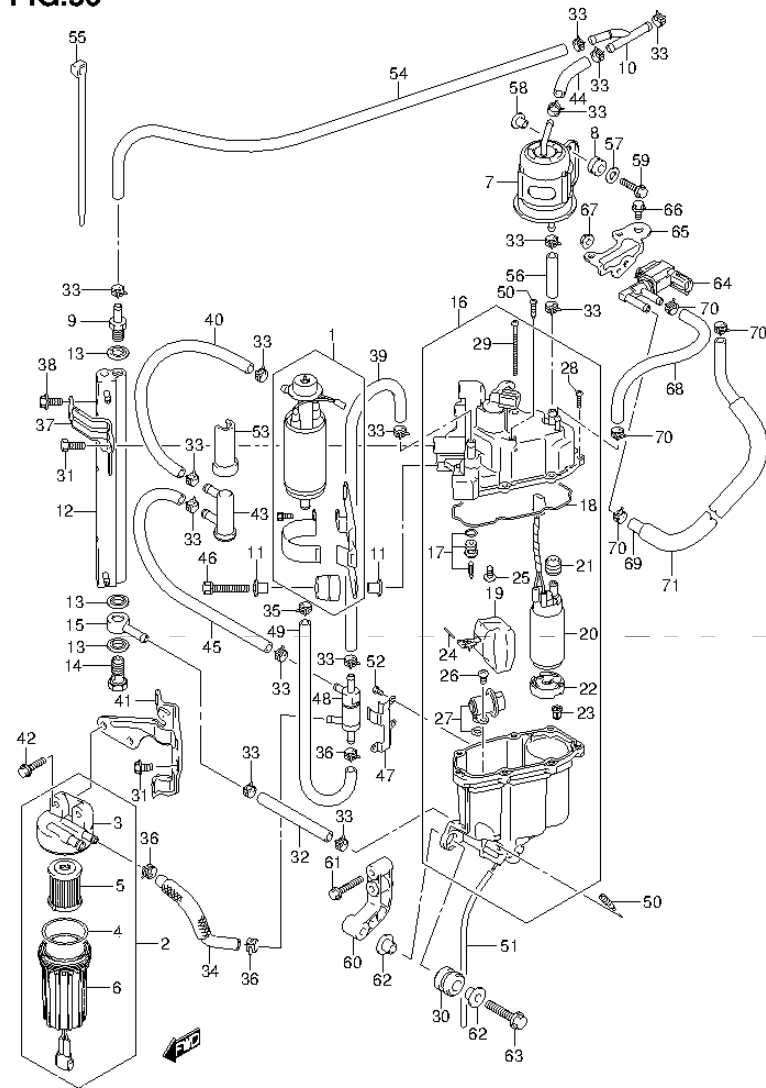


FIG.50 (1-H-5) FUEL PUMP / FUEL VAPOR SEPARATOR (DF225Z E40)

REF NO.	PART NO.	DESCRIPTION	Q'TY	REMARKS
1	15100-94900	PUMP ASSY, FUEL (L)	1	
2	15410-93J10	FILTER, FUEL (L)	1	
3	15411-93J10	CAP, FILTER	1	
4	15415-93J10	O RING, NO.1	1	
5	15412-93J10	FILTER, FUEL	1	
6	15413-93J10	CUP, FILTER	1	
7	15440-93J10	FILTER, FUEL (EPI)	1	
8	09320-08501	CUSHION	2	
9	15773-90J00	UNION, FUEL HOSE (H)	1	
10	15830-93J00	UNION, 3 WAY	1	
11	09169-06062	WASHER	4	
12	15770-93J00	COOLER, FUEL	1	
13	15762-90J00	GASKET, FUEL COOLER UNION	3	
14	09360-12013	UNION	1	
15	15830-90J00	UNION, FUEL COOLER	1	
16	15600-93J11	SEPARATOR ASSY, FUEL VAPOR	1	
17	13370-93J10	VALVE ASSY, NEEDLE	1	
18	15626-93J10	GASKET, SEPARATOR	1	
19	15650-93J00	FLOAT ASSY	1	
20	15200-93J11	PUMP ASSY, FUEL (H)	1	
21	15647-93J10	BUSH, FUEL PUMP	1	
22	15641-90J10	SPACER, FUEL PUMP	1	
23	15642-90J00	FILTER, FUEL PUMP	1	
24	15654-99E00	PIN, FLOAT	1	
25	13614-93J00	SCREW	1	
26	15631-99E10	SCREW, REGULATOR	1	
27	15760-93J00	REGULATOR, FUEL PRESSURE	1	
28	15628-99E00	SCREW	6	
29	15627-93J00	SCREW	1	
30	09320-12072	CUSHION	3	
31	15675-93J00	BOLT, COOLER BRACKET	3	
32	09343-75001-600	HOSE (7.5X13.5X600)	1	L:600->50
33	09401-11414	CLIP (ID:11.5)	14	
34	15636-98J20	HOSE, FUEL (L)	1	

FIG.50

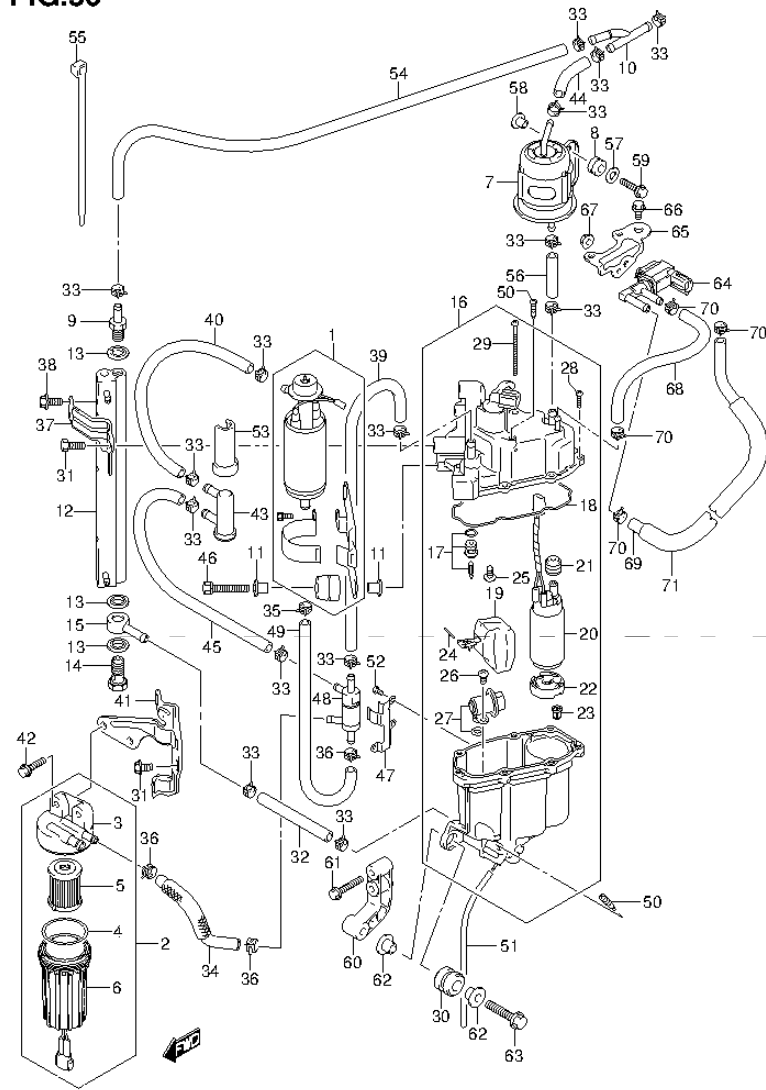


FIG.50 (1-H-6) FUEL PUMP / FUEL VAPOR SEPARATOR (DF225Z E40)

REF NO.	PART NO.	DESCRIPTION	Q'TY	REMARKS
35	15686-93J00	CLIP (ID:11.5)	1	
36	15685-93J00	CLIP	3	
37	15672-93J00	BRACKET, FUEL COOLER	1	
38	01500-06167	BOLT	4	
39	15635-93J20	HOSE, FUEL (H)	1	
40	15632-93J20	HOSE, FUEL (H)	1	
41	15673-98J00	BRACKET, FUEL FILTER	1	
42	01550-06257	BOLT	2	
43	15643-93J00	FILTER, FUEL (L)	1	
44	09343-75001-600	HOSE (7.5X13.5X600)	1	L:600->65
45	15634-93J20	HOSE, FUEL (H)	1	
46	01570-06357	BOLT	2	
47	15674-93J00	BRACKET, CHECK VALVE	1	
48	15645-93J10	VALVE, CHECK	1	
49	15637-93J20	HOSE, FUEL (L)	1	
50	15629-99E10	SCREW, DRAIN	2	
51	15683-87J00	HOSE, DRAIN	1	
52	02112-0406B	SCREW	3	
53	15644-93J00	COVER, FUEL FILTER	3	
54	15633-93J20	HOSE, FUEL (H)	1	
55	15646-93J00	CLAMP, FUEL FILTER	1	
56	09343-75001-600	HOSE (7.5X13.5X600)	1	L:600->65
57	09160-06084	WASHER (6.5X18X1.6)	1	
58	09169-06062	WASHER	2	
59	01500-06257	BOLT	2	
60	15671-93J00	BRACKET, VAPOR SEPARATOR	1	
61	01550-06357	BOLT	2	
62	09169-08042	WASHER	6	
63	01550-08407	BOLT	3	

FIG.50

FIG.50 (1-H-7) FUEL PUMP / FUEL VAPOR SEPARATOR (DF225Z E40)

REF NO.	PART NO.	DESCRIPTION	Q'TY	REMARKS
64	18117-52G10	VALVE ASSY, EVAP PURGE	1	
65	18417-93J00	BRACKET, PURGE VALVE	1	
66	01550-06127	BOLT	2	
67	08316-10067	NUT	1	
68	09352-50823-600	HOSE (5X8.2X600)	1	L:600->220
69	09352-50823-600	HOSE (5X8.2X600)	1	L:600->550
70	09401-08412	CLIP	4	
71	18498-87JC0	PROTECTOR, EVAP HOSE (L:450)	1	

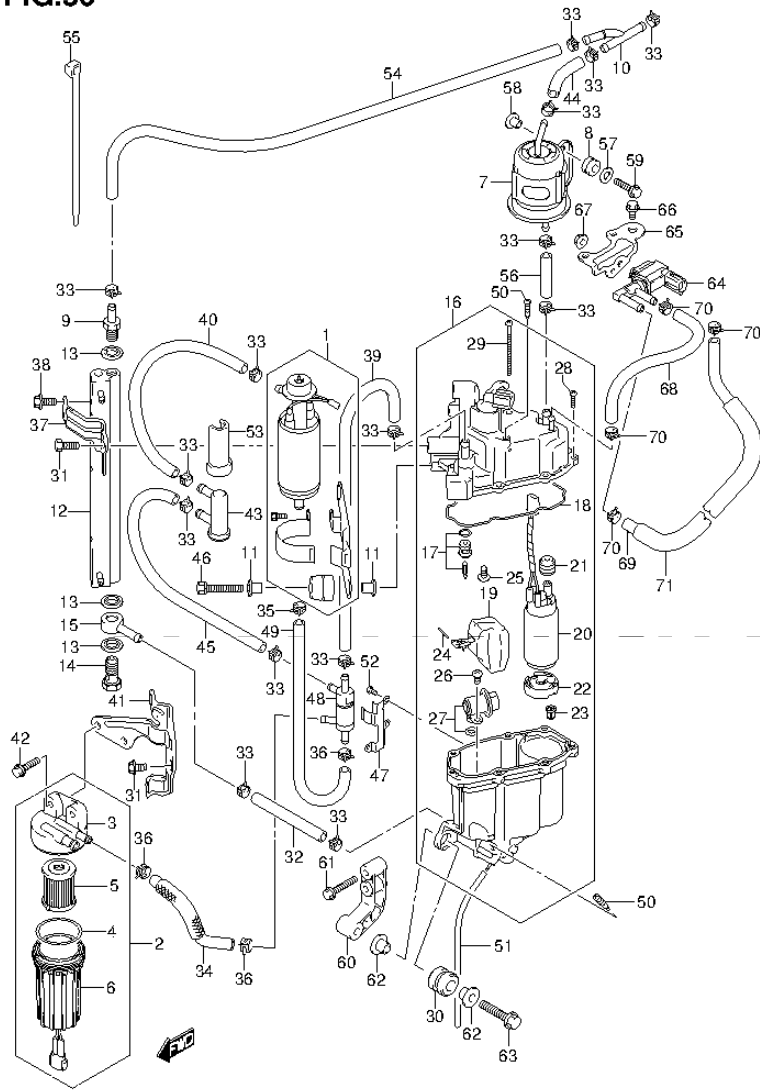


FIG.51

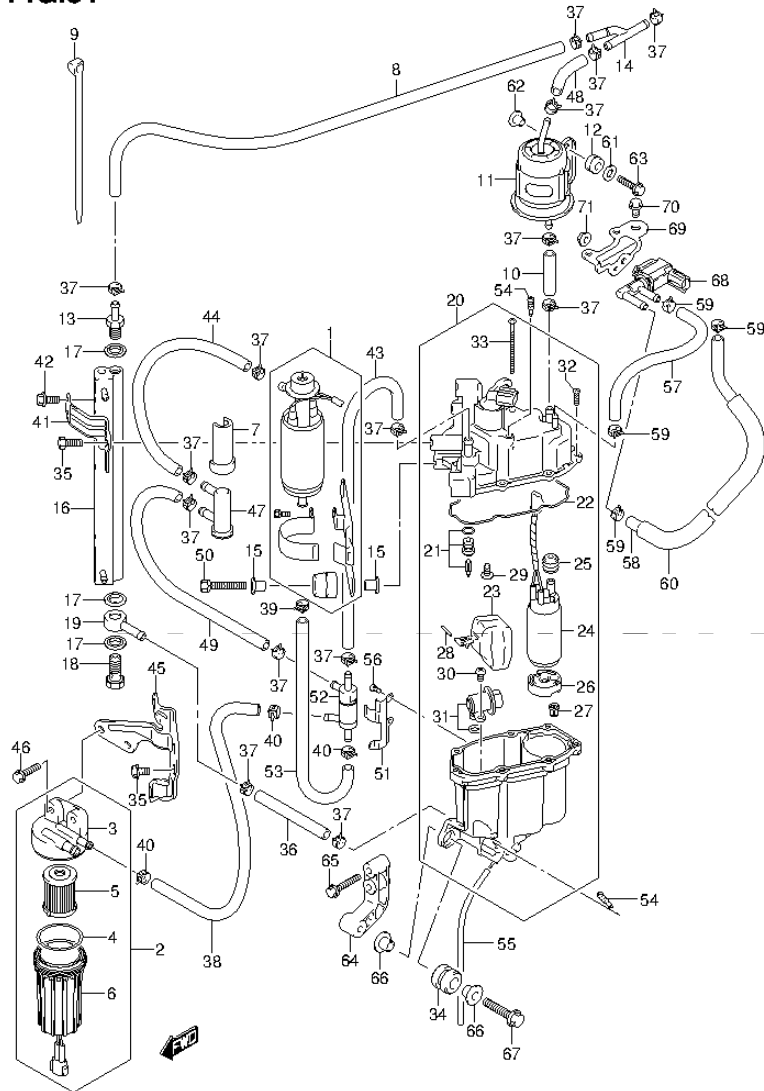


FIG.51 (1-H-8) FUEL PUMP / FUEL VAPOR SEPARATOR (DF250T E1)

REF NO.	PART NO.	DESCRIPTION	Q'TY	REMARKS
1	15100-94900	PUMP ASSY, FUEL (L)	1	
2	15410-93J10	FILTER, FUEL (L)	1	
3	15411-93J10	CAP, FILTER	1	
4	15415-93J10	SEAL, NO.1	1	
5	15412-93J10	FILTER ASSY, FUEL	1	
6	15413-93J10	CASE ASSY, FILTER	1	
7	15644-93J00	COVER, FUEL FILTER	3	
8	15633-93J20	HOSE, FUEL (H)	1	
9	15646-93J00	CLAMP, FUEL FILTER	1	
10	09343-75001-600	HOSE (7.5X13.5X600)	1	L:600->65
11	15440-93J00	FILTER, FUEL (EPI)	1	
12	09320-08501	CUSHION	2	
13	15773-90J00	UNION, FUEL HOSE (H)	1	
14	15830-93J00	UNION, 3 WAY	1	
15	09169-06062	WASHER	4	
16	15770-93J00	COOLER, FUEL	1	
17	09168-12013	GASKET (11.8X22X1.2)	3	
18	09360-12008	UNION	1	
19	09363-08004	UNION	1	
20	15600-93J01	SEPARATOR ASSY, FUEL VAPOR	1	
21	13370-93J00	VALVE ASSY, NEEDLE	1	
22	15626-93J00	GASKET, SEPARATOR	1	
23	15650-93J00	FLOAT ASSY	1	
24	15200-93J01	PUMP ASSY, FUEL (H)	1	
25	15647-93J00	BUSH, FUEL PUMP	1	
26	15641-90J00	SPACER, FUEL PUMP	1	
27	15642-90J00	FILTER, FUEL PUMP	1	
28	15654-99E00	PIN, FLOAT	1	
29	02142-0408B	SCREW	1	
30	02112-05107	SCREW	1	
31	15760-93J00	REGULATOR, FUEL PRESSURE	1	
32	15628-99E00	SCREW	6	
33	15627-93J00	SCREW	1	
34	09320-12072	CUSHION	3	

FIG.51

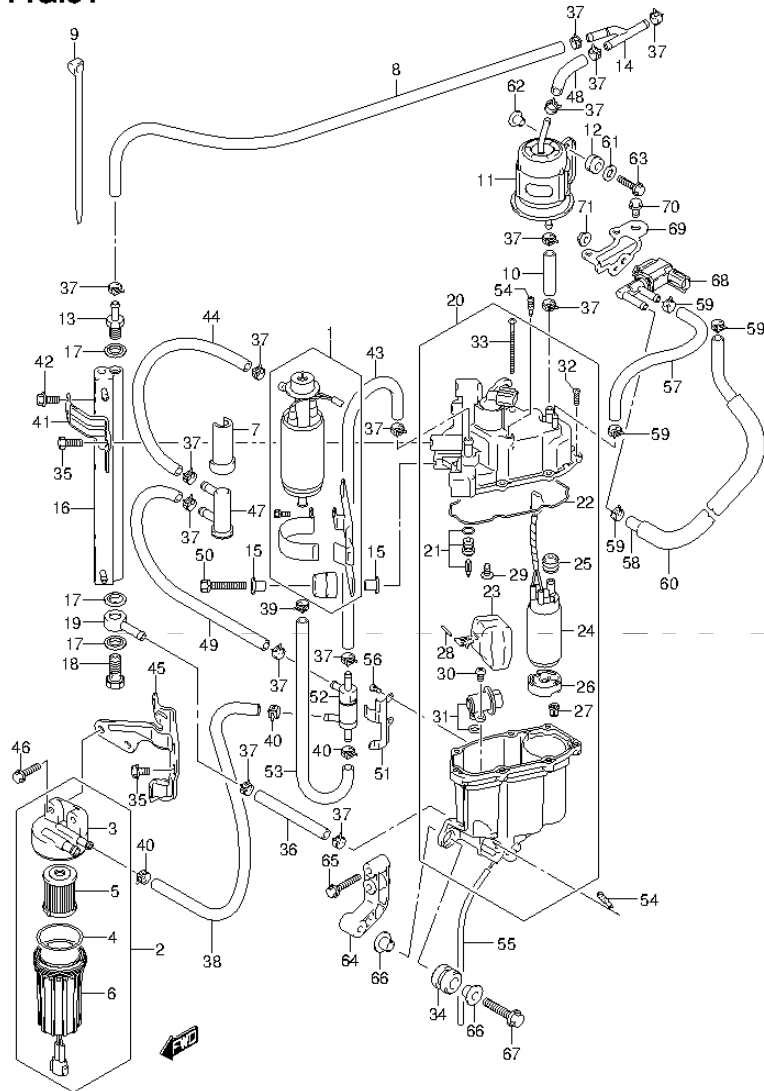
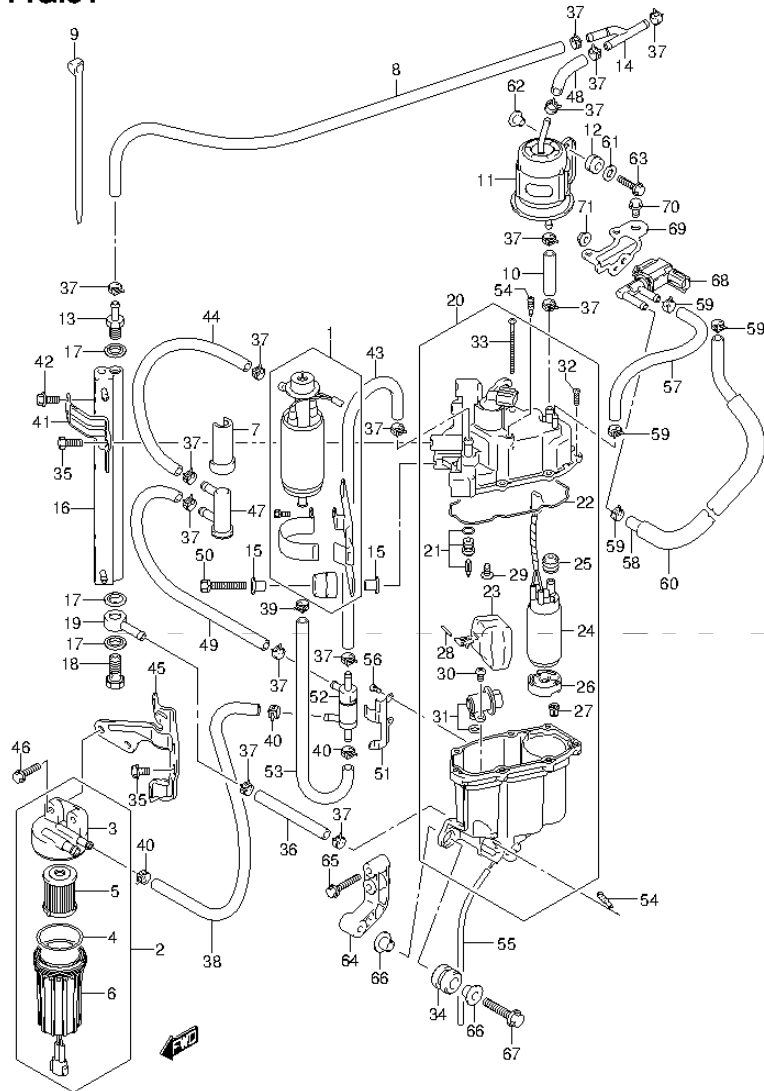


FIG.51 (1-H-9) FUEL PUMP / FUEL VAPOR SEPARATOR (DF250T E1)

REF NO.	PART NO.	DESCRIPTION	Q'TY	REMARKS
35	15675-93J00	BOLT, COOLER BRACKET	3	
36	09343-75001-600	HOSE (7.5X13.5X600)	1	L:600->50
37	09401-11414	CLIP (ID:11.5)	14	
38	15636-98J20	HOSE, FUEL (L)	1	
39	15686-93J00	CLIP	1	
40	15685-93J00	CLIP	3	
41	15672-93J00	BRACKET, FUEL COOLER	1	
42	01500-06167	BOLT	4	
43	15635-93J20	HOSE, FUEL (H)	1	
44	15632-93J20	HOSE, FUEL (H)	1	
45	15673-98J00	BRACKET, FUEL FILTER	1	
46	01550-06257	BOLT	2	
47	15643-93J00	FILTER, FUEL (L)	1	
48	09343-75001-600	HOSE (7.5X13.5X600)	1	L:600->65
49	15634-93J20	HOSE, FUEL (H)	1	
50	01570-06357	BOLT	2	
51	15674-93J00	BRACKET, CHECK VALVE	1	
52	15645-93J00	VALVE, CHECK	1	
53	15637-93J20	HOSE, FUEL (L)	1	
54	15629-99E10	SCREW, DRAIN	2	
55	15683-87J00	HOSE, DRAIN	1	
56	02112-0406B	SCREW	3	
57	09352-50823-600	HOSE (5X8.2X600)	1	L:600->220
58	09352-50823-600	HOSE (5X8.2X600)	1	L:600->550
59	09401-08412	CLIP	4	
60	18498-87JC0	PROTECTOR, EVAP HOSE (L:450)	1	
61	09160-06084	WASHER (6.5X18X1.6)	2	
62	09169-06062	WASHER	2	
63	01500-06257	BOLT	2	
64	15671-93J00	BRACKET, VAPOR SEPARATOR	1	
65	01550-06357	BOLT	2	
66	09169-08042	WASHER	6	
67	01550-08407	BOLT	3	

FIG.51



DF250_E01_013_051
FUEL PUMP / FUEL VAPOR SEPARATOR

FIG.51 (1-H-10) FUEL PUMP / FUEL VAPOR SEPARATOR (DF250T E1)

REF NO.	PART NO.	DESCRIPTION	Q'TY	REMARKS
68	18117-52G10	VALVE ASSY, EVAP PURGE	1	
69	18417-93J00	BRACKET, PURGE VALVE	1	
70	01550-06127	BOLT	2	
71	08316-10067	NUT	1	

DF250_E01_013

FIG.52

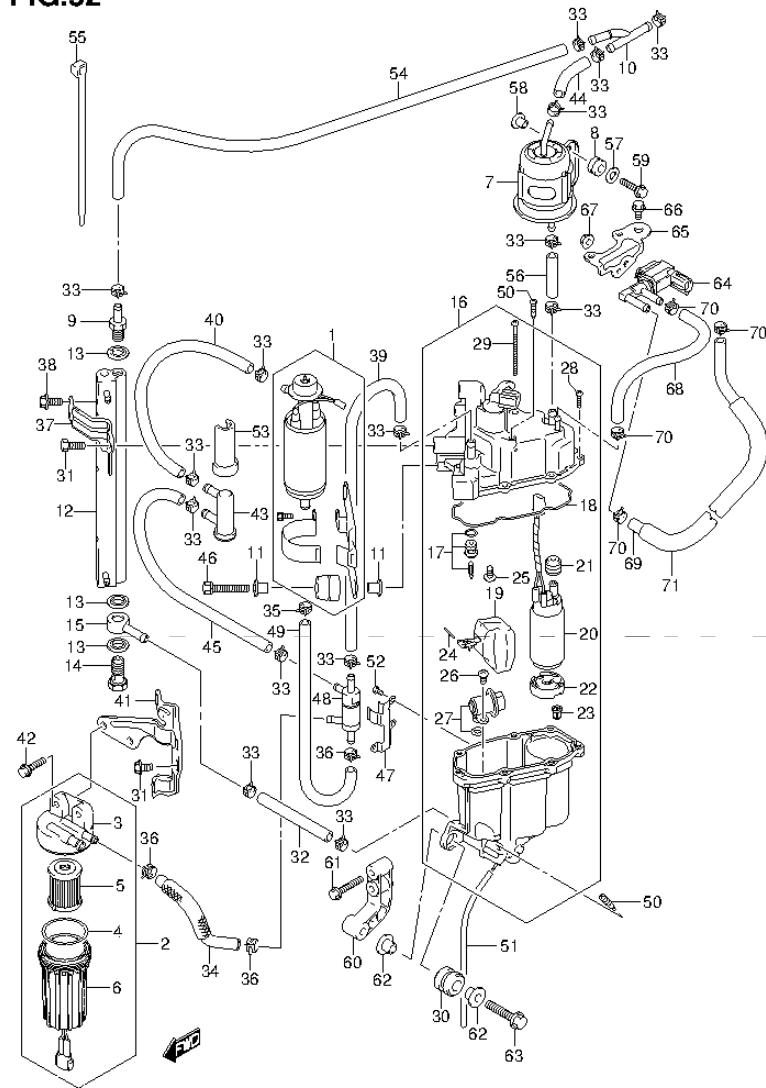
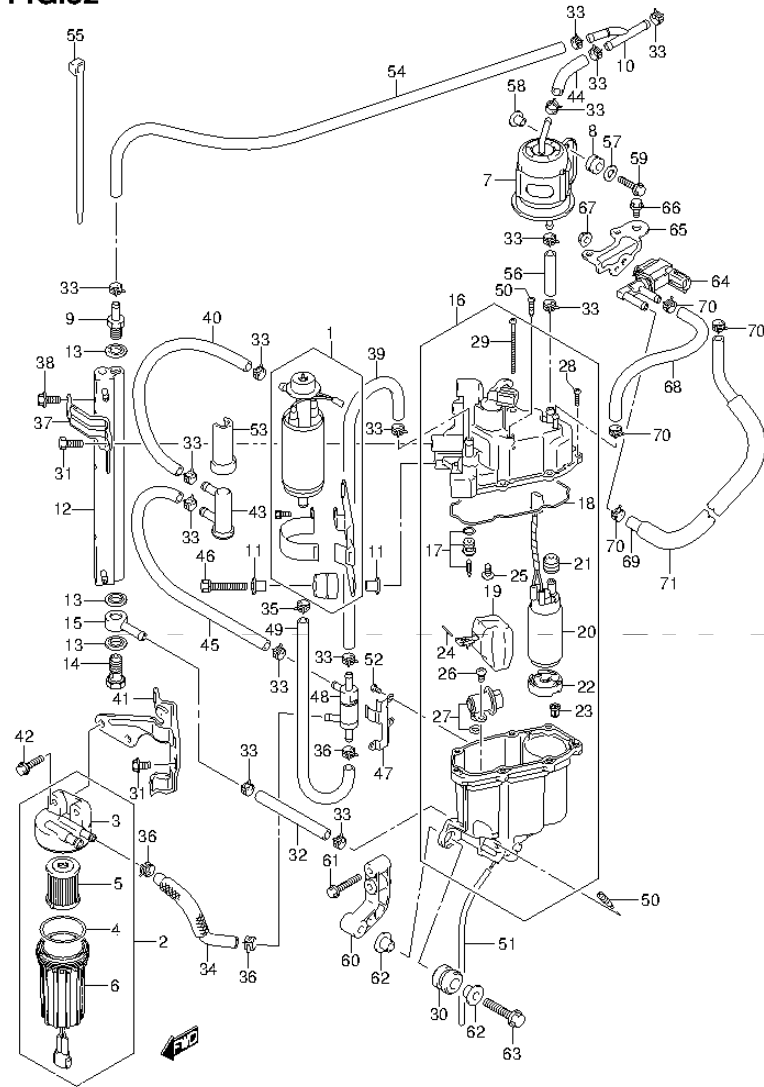


FIG.52 (1-H-11) FUEL PUMP / FUEL VAPOR SEPARATOR (DF250T E40)

REF NO.	PART NO.	DESCRIPTION	Q'TY	REMARKS
1	15100-94900	PUMP ASSY, FUEL (L)	1	
2	15410-93J10	FILTER, FUEL (L)	1	
3	15411-93J10	CAP, FILTER	1	
4	15415-93J10	O RING, NO.1	1	
5	15412-93J10	FILTER, FUEL	1	
6	15413-93J10	CUP, FILTER	1	
7	15440-93J10	FILTER, FUEL (EPI)	1	
8	09320-08501	CUSHION	2	
9	15773-90J00	UNION, FUEL HOSE (H)	1	
10	15830-93J00	UNION, 3 WAY	1	
11	09169-06062	WASHER	4	
12	15770-93J00	COOLER, FUEL	1	
13	15762-90J00	GASKET, FUEL COOLER UNION	3	
14	09360-12013	UNION	1	
15	15830-90J00	UNION, FUEL COOLER	1	
16	15600-93J11	SEPARATOR ASSY, FUEL VAPOR	1	
17	13370-93J10	VALVE ASSY, NEEDLE	1	
18	15626-93J10	GASKET, SEPARATOR	1	
19	15650-93J00	FLOAT ASSY	1	
20	15200-93J11	PUMP ASSY, FUEL (H)	1	
21	15647-93J10	BUSH, FUEL PUMP	1	
22	15641-90J10	SPACER, FUEL PUMP	1	
23	15642-90J00	FILTER, FUEL PUMP	1	
24	15654-99E00	PIN, FLOAT	1	
25	13614-93J00	SCREW	1	
26	15631-99E10	SCREW, REGULATOR	1	
27	15760-93J00	REGULATOR, FUEL PRESSURE	1	
28	15628-99E00	SCREW	6	
29	15627-93J00	SCREW	1	
30	09320-12072	CUSHION	3	
31	15675-93J00	BOLT, COOLER BRACKET	3	
32	09343-75001-600	HOSE (7.5X13.5X600)	1	L:600->50
33	09401-11414	CLIP (ID:11.5)	14	
34	15636-98J20	HOSE, FUEL (L)	1	

FIG.52



DF250_E01_013_052
FUEL PUMP / FUEL VAPOR SEPARATOR

FIG.52 (1-H-12) FUEL PUMP / FUEL VAPOR SEPARATOR (DF250T E40)

REF NO.	PART NO.	DESCRIPTION	Q'TY	REMARKS
35	15686-93J00	CLIP (ID:11.5)	1	
36	15685-93J00	CLIP	3	
37	15672-93J00	BRACKET, FUEL COOLER	1	
38	01500-06167	BOLT	4	
39	15635-93J20	HOSE, FUEL (H)	1	
40	15632-93J20	HOSE, FUEL (H)	1	
41	15673-98J00	BRACKET, FUEL FILTER	1	
42	01550-06257	BOLT	2	
43	15643-93J00	FILTER, FUEL (L)	1	
44	09343-75001-600	HOSE (7.5X13.5X600)	1	L:600->65
45	15634-93J20	HOSE, FUEL (H)	1	
46	01570-06357	BOLT	2	
47	15674-93J00	BRACKET, CHECK VALVE	1	
48	15645-93J10	VALVE, CHECK	1	
49	15637-93J20	HOSE, FUEL (L)	1	
50	15629-99E10	SCREW, DRAIN	2	
51	15683-87J00	HOSE, DRAIN	1	
52	02112-0406B	SCREW	3	
53	15644-93J00	COVER, FUEL FILTER	3	
54	15633-93J20	HOSE, FUEL (H)	1	
55	15646-93J00	CLAMP, FUEL FILTER	1	
56	09343-75001-600	HOSE (7.5X13.5X600)	1	L:600->65
57	09160-06084	WASHER (6.5X18X1.6)	1	
58	09169-06062	WASHER	2	
59	01500-06257	BOLT	2	
60	15671-93J00	BRACKET, VAPOR SEPARATOR	1	
61	01550-06357	BOLT	2	
62	09169-08042	WASHER	6	
63	01550-08407	BOLT	3	

DF250_E01_013

FIG.52

FIG.52 (1-H-13) FUEL PUMP / FUEL VAPOR SEPARATOR (DF250T E40)

REF NO.	PART NO.	DESCRIPTION	Q'TY	REMARKS
64	18117-52G10	VALVE ASSY, EVAP PURGE	1	
65	18417-93J00	BRACKET, PURGE VALVE	1	
66	01550-06127	BOLT	2	
67	08316-10067	NUT	1	
68	09352-50823-600	HOSE (5X8.2X600)	1	L:600->220
69	09352-50823-600	HOSE (5X8.2X600)	1	L:600->550
70	09401-08412	CLIP	4	
71	18498-87JC0	PROTECTOR, EVAP HOSE (L:450)	1	

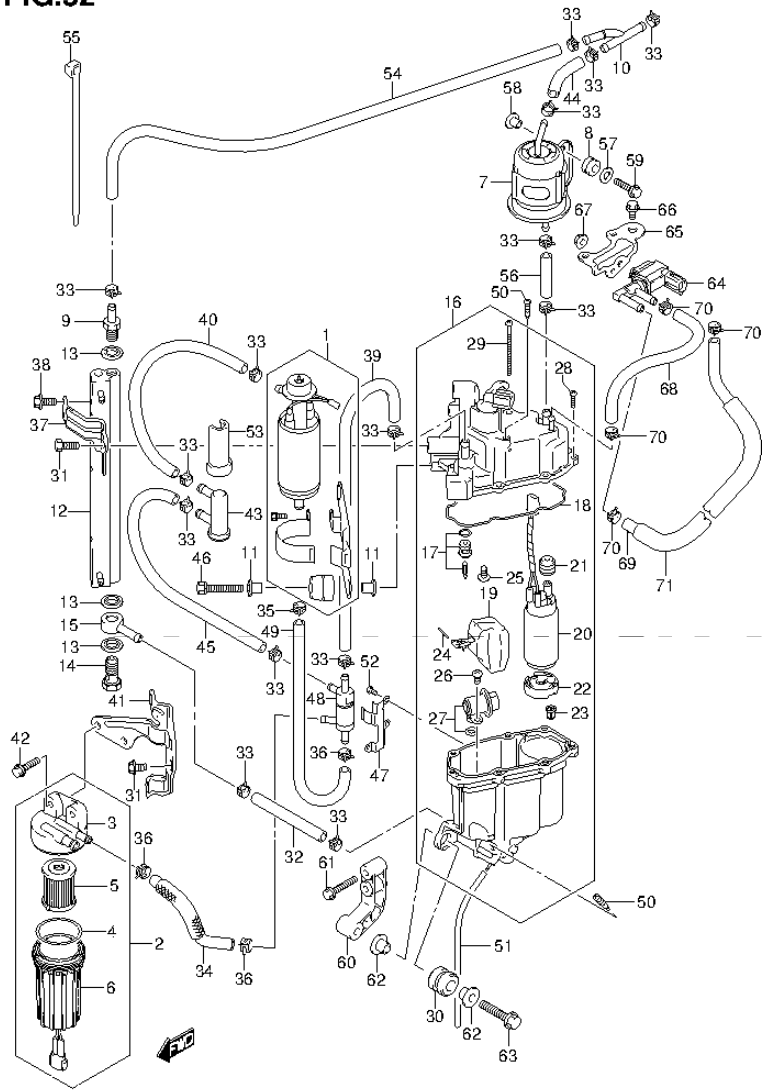


FIG.53

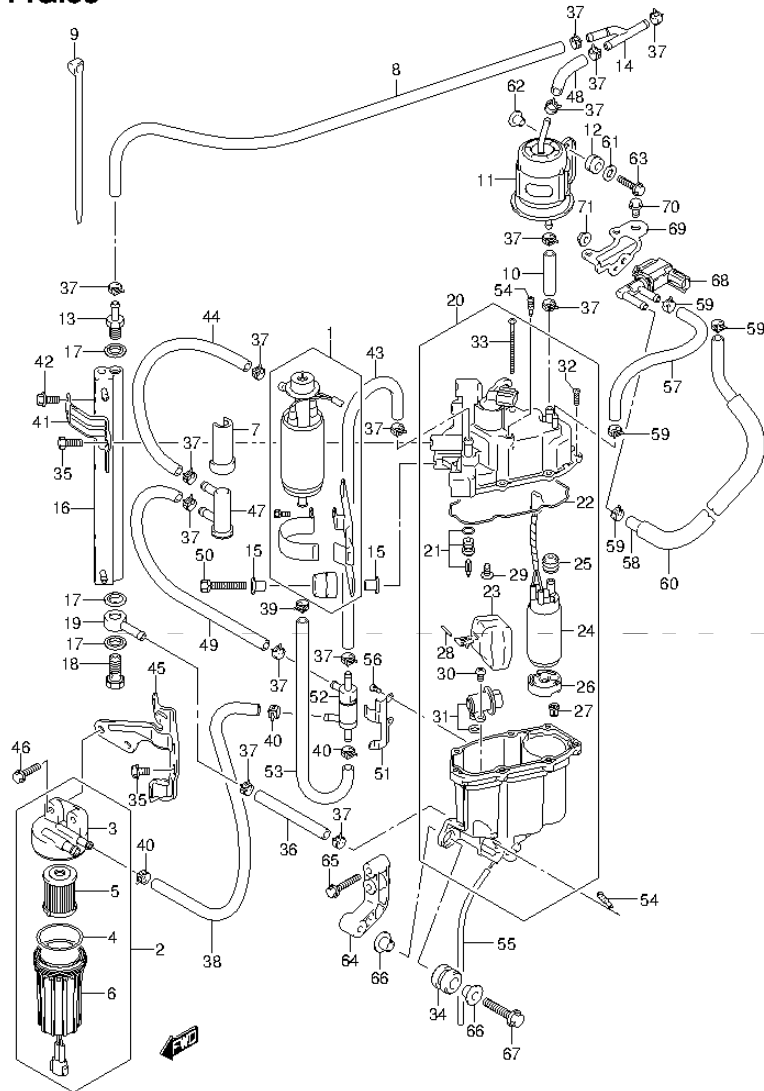


FIG.53 (1-H-14) FUEL PUMP / FUEL VAPOR SEPARATOR (DF250Z E1)

REF NO.	PART NO.	DESCRIPTION	Q'TY	REMARKS
1	15100-94900	PUMP ASSY, FUEL (L)	1	
2	15410-93J10	FILTER, FUEL (L)	1	
3	15411-93J10	CAP, FILTER	1	
4	15415-93J10	SEAL, NO.1	1	
5	15412-93J10	FILTER ASSY, FUEL	1	
6	15413-93J10	CASE ASSY, FILTER	1	
7	15644-93J00	COVER, FUEL FILTER	3	
8	15633-93J20	HOSE, FUEL (H)	1	
9	15646-93J00	CLAMP, FUEL FILTER	1	
10	09343-75001-600	HOSE (7.5X13.5X600)	1	L:600->65
11	15440-93J00	FILTER, FUEL (EPI)	1	
12	09320-08501	CUSHION	2	
13	15773-90J00	UNION, FUEL HOSE (H)	1	
14	15830-93J00	UNION, 3 WAY	1	
15	09169-06062	WASHER	4	
16	15770-93J00	COOLER, FUEL	1	
17	09168-12013	GASKET (11.8X22X1.2)	3	
18	09360-12008	UNION	1	
19	09363-08004	UNION	1	
20	15600-93J01	SEPARATOR ASSY, FUEL VAPOR	1	
21	13370-93J00	VALVE ASSY, NEEDLE	1	
22	15626-93J00	GASKET, SEPARATOR	1	
23	15650-93J00	FLOAT ASSY	1	
24	15200-93J01	PUMP ASSY, FUEL (H)	1	
25	15647-93J00	BUSH, FUEL PUMP	1	
26	15641-90J00	SPACER, FUEL PUMP	1	
27	15642-90J00	FILTER, FUEL PUMP	1	
28	15654-99E00	PIN, FLOAT	1	
29	02142-0408B	SCREW	1	
30	02112-05107	SCREW	1	
31	15760-93J00	REGULATOR, FUEL PRESSURE	1	
32	15628-99E00	SCREW	6	
33	15627-93J00	SCREW	1	
34	09320-12072	CUSHION	3	

FIG.53

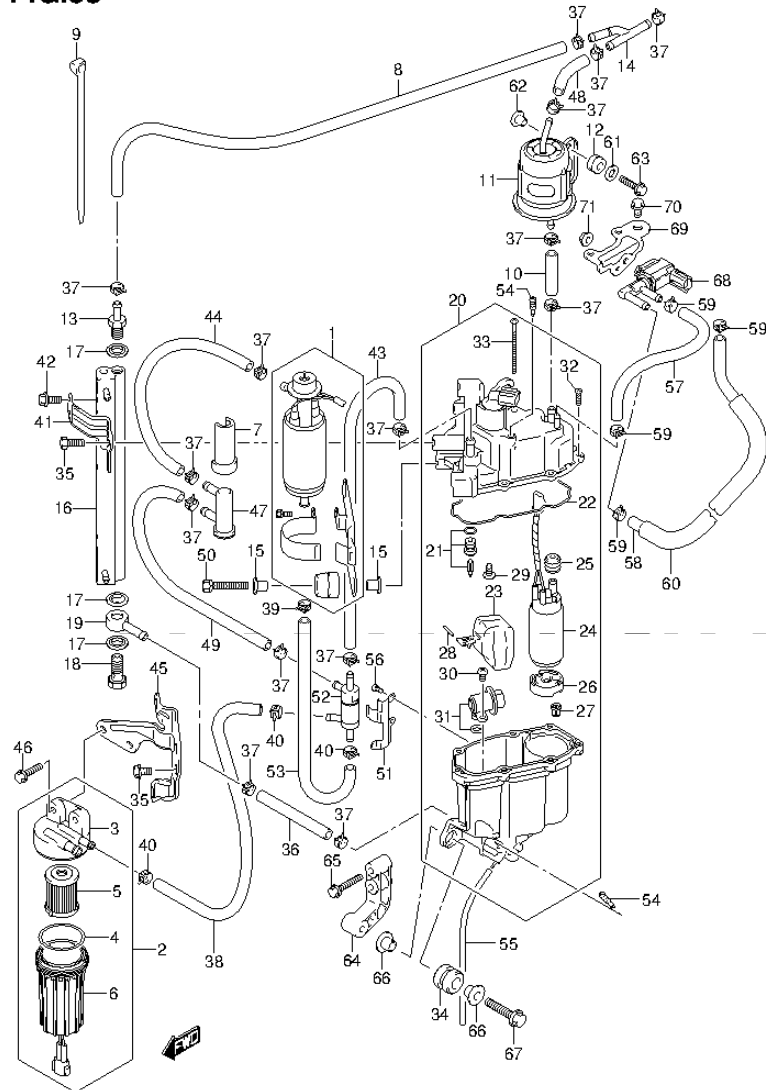


FIG.53 (1-H-15) FUEL PUMP / FUEL VAPOR SEPARATOR (DF250Z E1)

REF NO.	PART NO.	DESCRIPTION	Q'TY	REMARKS
35	15675-93J00	BOLT, COOLER BRACKET	3	
36	09343-75001-600	HOSE (7.5X13.5X600)	1	L:600->50
37	09401-11414	CLIP (ID:11.5)	14	
38	15636-98J20	HOSE, FUEL (L)	1	
39	15686-93J00	CLIP	1	
40	15685-93J00	CLIP	3	
41	15672-93J00	BRACKET, FUEL COOLER	1	
42	01500-06167	BOLT	4	
43	15635-93J20	HOSE, FUEL (H)	1	
44	15632-93J20	HOSE, FUEL (H)	1	
45	15673-98J00	BRACKET, FUEL FILTER	1	
46	01550-06257	BOLT	2	
47	15643-93J00	FILTER, FUEL (L)	1	
48	09343-75001-600	HOSE (7.5X13.5X600)	1	L:600->65
49	15634-93J20	HOSE, FUEL (H)	1	
50	01570-06357	BOLT	2	
51	15674-93J00	BRACKET, CHECK VALVE	1	
52	15645-93J00	VALVE, CHECK	1	
53	15637-93J20	HOSE, FUEL (L)	1	
54	15629-99E10	SCREW, DRAIN	2	
55	15683-87J00	HOSE, DRAIN	1	
56	02112-0406B	SCREW	3	
57	09352-50823-600	HOSE (5X8.2X600)	1	L:600->220
58	09352-50823-600	HOSE (5X8.2X600)	1	L:600->550
59	09401-08412	CLIP	4	
60	18498-87JC0	PROTECTOR, EVAP HOSE (L:450)	1	
61	09160-06084	WASHER (6.5X18X1.6)	2	
62	09169-06062	WASHER	2	
63	01500-06257	BOLT	2	
64	15671-93J00	BRACKET, VAPOR SEPARATOR	1	
65	01550-06357	BOLT	2	
66	09169-08042	WASHER	6	
67	01550-08407	BOLT	3	

FIG.54

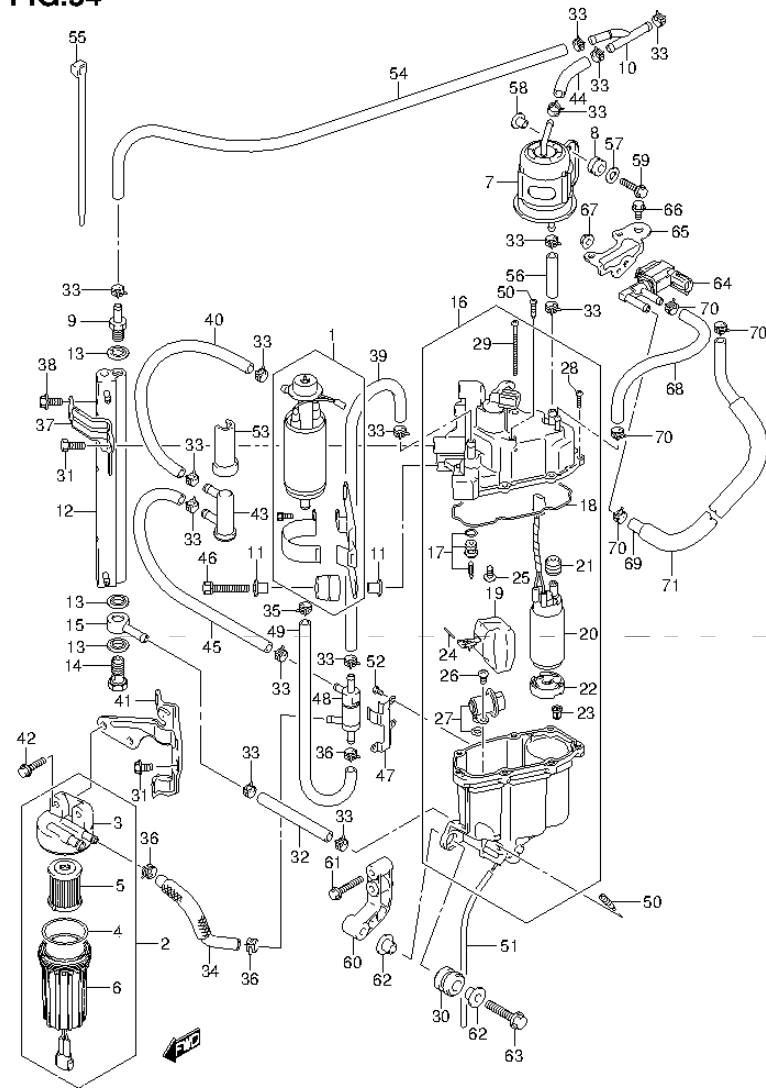


FIG.54 (1-1-3) FUEL PUMP / FUEL VAPOR SEPARATOR (DF250Z E40)

REF NO.	PART NO.	DESCRIPTION	Q'TY	REMARKS
1	15100-94900	PUMP ASSY, FUEL (L)	1	
2	15410-93J10	FILTER, FUEL (L)	1	
3	15411-93J10	CAP, FILTER	1	
4	15415-93J10	O RING, NO.1	1	
5	15412-93J10	FILTER, FUEL	1	
6	15413-93J10	CUP, FILTER	1	
7	15440-93J10	FILTER, FUEL (EPI)	1	
8	09320-08501	CUSHION	2	
9	15773-90J00	UNION, FUEL HOSE (H)	1	
10	15830-93J00	UNION, 3 WAY	1	
11	09169-06062	WASHER	4	
12	15770-93J00	COOLER, FUEL	1	
13	15762-90J00	GASKET, FUEL COOLER UNION	3	
14	09360-12013	UNION	1	
15	15830-90J00	UNION, FUEL COOLER	1	
16	15600-93J11	SEPARATOR ASSY, FUEL VAPOR	1	
17	13370-93J10	VALVE ASSY, NEEDLE	1	
18	15626-93J10	GASKET, SEPARATOR	1	
19	15650-93J00	FLOAT ASSY	1	
20	15200-93J11	PUMP ASSY, FUEL (H)	1	
21	15647-93J10	BUSH, FUEL PUMP	1	
22	15641-90J10	SPACER, FUEL PUMP	1	
23	15642-90J00	FILTER, FUEL PUMP	1	
24	15654-99E00	PIN, FLOAT	1	
25	13614-93J00	SCREW	1	
26	15631-99E10	SCREW, REGULATOR	1	
27	15760-93J00	REGULATOR, FUEL PRESSURE	1	
28	15628-99E00	SCREW	6	
29	15627-93J00	SCREW	1	
30	09320-12072	CUSHION	3	
31	15675-93J00	BOLT, COOLER BRACKET	3	
32	09343-75001-600	HOSE (7.5X13.5X600)	1	L:600->50
33	09401-11414	CLIP (ID:11.5)	14	
34	15636-98J20	HOSE, FUEL (L)	1	

FIG.54

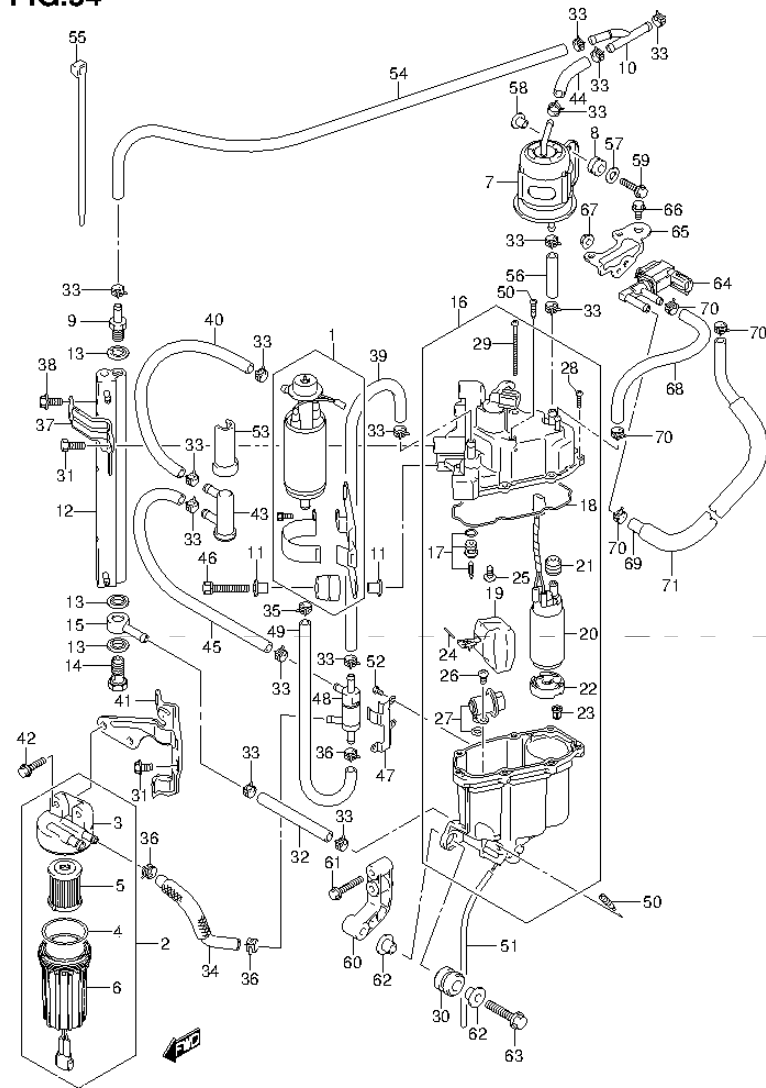
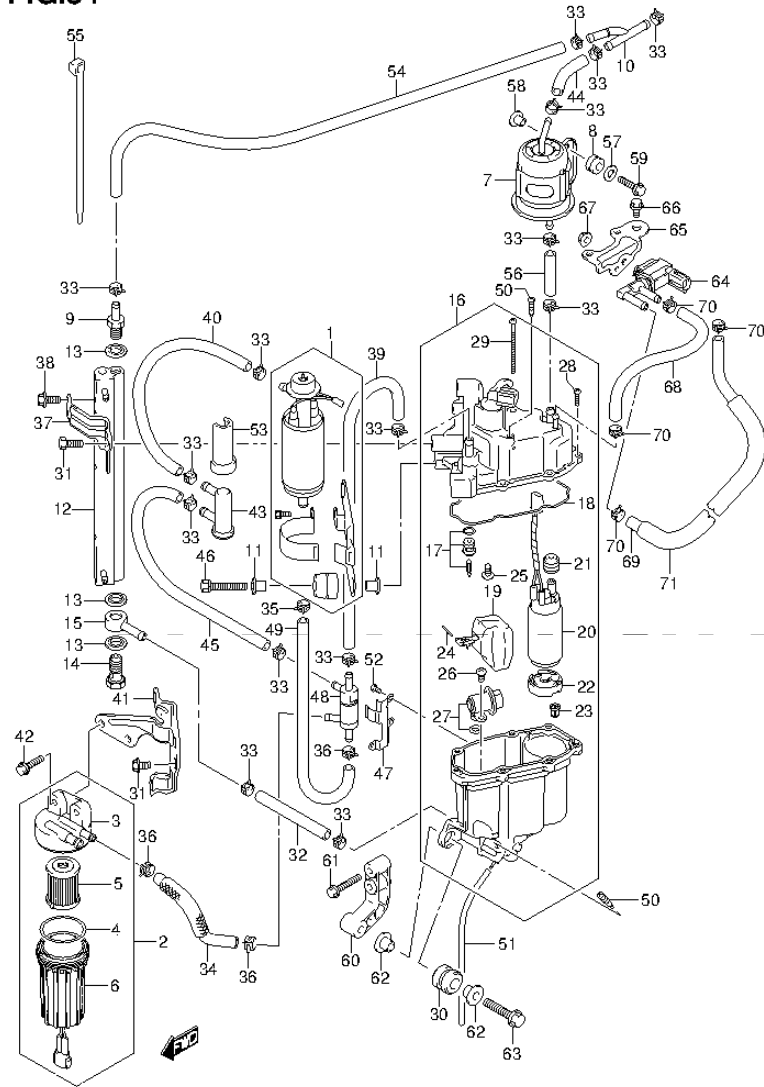


FIG.54 (1-1-4) FUEL PUMP / FUEL VAPOR SEPARATOR (DF250Z E40)

REF NO.	PART NO.	DESCRIPTION	Q'TY	REMARKS
35	15686-93J00	CLIP (ID:11.5)	1	
36	15685-93J00	CLIP	3	
37	15672-93J00	BRACKET, FUEL COOLER	1	
38	01500-06167	BOLT	4	
39	15635-93J20	HOSE, FUEL (H)	1	
40	15632-93J20	HOSE, FUEL (H)	1	
41	15673-98J00	BRACKET, FUEL FILTER	1	
42	01550-06257	BOLT	2	
43	15643-93J00	FILTER, FUEL (L)	1	
44	09343-75001-600	HOSE (7.5X13.5X600)	1	L:600->65
45	15634-93J20	HOSE, FUEL (H)	1	
46	01570-06357	BOLT	2	
47	15674-93J00	BRACKET, CHECK VALVE	1	
48	15645-93J10	VALVE, CHECK	1	
49	15637-93J20	HOSE, FUEL (L)	1	
50	15629-99E10	SCREW, DRAIN	2	
51	15683-87J00	HOSE, DRAIN	1	
52	02112-0406B	SCREW	3	
53	15644-93J00	COVER, FUEL FILTER	3	
54	15633-93J20	HOSE, FUEL (H)	1	
55	15646-93J00	CLAMP, FUEL FILTER	1	
56	09343-75001-600	HOSE (7.5X13.5X600)	1	L:600->65
57	09160-06084	WASHER (6.5X18X1.6)	1	
58	09169-06062	WASHER	2	
59	01500-06257	BOLT	2	
60	15671-93J00	BRACKET, VAPOR SEPARATOR	1	
61	01550-06357	BOLT	2	
62	09169-08042	WASHER	6	
63	01550-08407	BOLT	3	

FIG.54



DF250_E01_013_054
FUEL PUMP / FUEL VAPOR SEPARATOR

FIG.54 (1-1-5) FUEL PUMP / FUEL VAPOR SEPARATOR (DF250Z E40)

REF NO.	PART NO.	DESCRIPTION	Q'TY	REMARKS
64	18117-52G10	VALVE ASSY, EVAP PURGE	1	
65	18417-93J00	BRACKET, PURGE VALVE	1	
66	01550-06127	BOLT	2	
67	08316-10067	NUT	1	
68	09352-50823-600	HOSE (5X8.2X600)	1	L:600->220
69	09352-50823-600	HOSE (5X8.2X600)	1	L:600->550
70	09401-08412	CLIP	4	
71	18498-87JC0	PROTECTOR, EVAP HOSE (L:450)	1	

DF250_E01_013

FIG.55

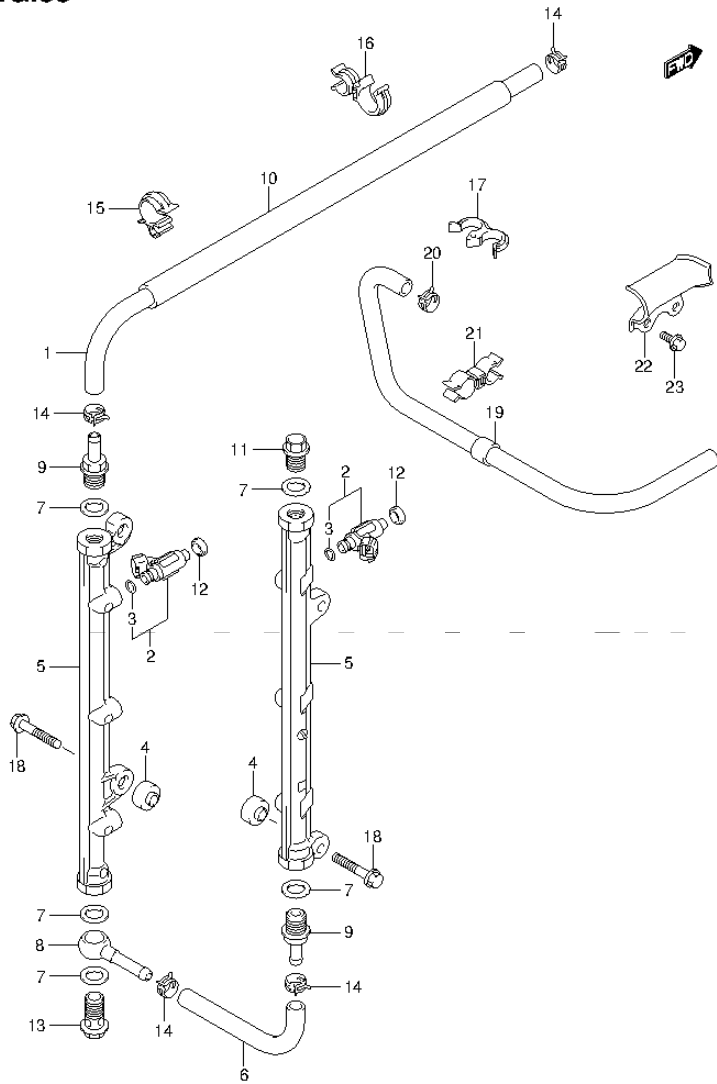


FIG.55 (1-I-6) FUEL INJECTOR (DF200T E1)

REF NO.	PART NO.	DESCRIPTION	Q'TY	REMARKS
1	15681-93J01	HOSE, FUEL (3WAY TO DLVY PIPE)	1	
2	15710-93J00	INJECTOR ASSY, FUEL	6	
3	15717-16G00	O RING	6	
4	15735-58B00	INSULATOR, DELIVERY PIPE	4	
5	15751-93J00	PIPE, DELIVERY	2	
6	15756-93J01	HOSE, FUEL (DLVY TO DLVY)	1	
7	15762-93J00	GASKET, DELIVERY PIPE	5	
8	15830-77EA0	UNION, DELIVERY PIPE	1	
9	15831-93J00	UNION, DELIVERY PIPE	2	
10	18498-93J00	PROTECTOR, FUEL HOSE (L:340)	1	
11	09247-14041	PLUG (14X14)	1	
12	09320-08062	CUSHION	6	
13	09360-14009	UNION	1	
14	09401-11425	CLIP	4	
15	09403-16307	CLAMP	1	
16	09408-00105	CLAMP	1	
17	09408-00155	CLAMP	1	
18	01550-08407	BOLT	4	
19	15680-93J21	HOSE, FUEL (PUMP TO FILTER)	1	
20	09401-13423	CLIP	1	
21	09408-00135	CLIP	2	
22	15684-98J00	GUIDE, FUEL HOSE	1	
23	01550-06107	BOLT	2	

FIG.56

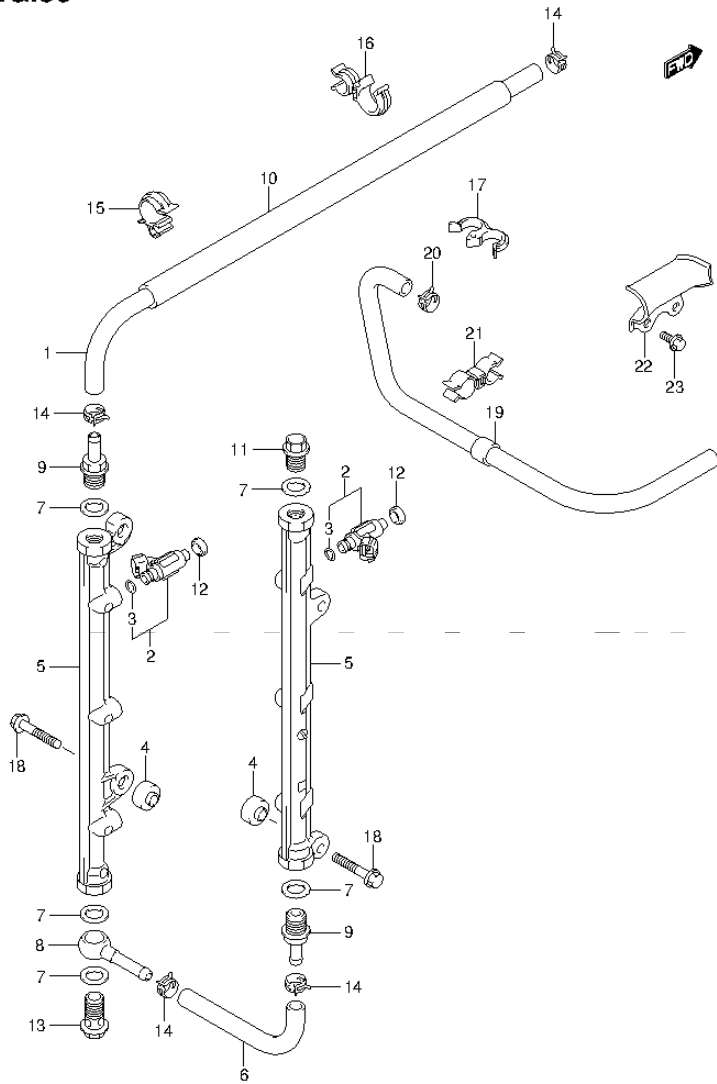


FIG.56 (1-I-7) FUEL INJECTOR (DF200T E40)

REF NO.	PART NO.	DESCRIPTION	Q'TY	REMARKS
1	15681-93J01	HOSE, FUEL (3WAY TO DLVY PIPE)	1	
2	15710-93J00	INJECTOR ASSY, FUEL	6	
3	15717-16G00	O RING	6	
4	15735-58B00	INSULATOR, DELIVERY PIPE	4	
5	15751-93J00	PIPE, DELIVERY	2	
6	15756-93J01	HOSE, FUEL (DLVY TO DLVY)	1	
7	15762-93J10	GASKET, DELIVERY PIPE	5	
8	15832-93J00	UNION, DELIVERY PIPE	1	
9	15831-93J00	UNION, DELIVERY PIPE	2	
10	18498-93J00	PROTECTOR, FUEL HOSE (L:340)	1	
11	09247-14042	PLUG (14X14)	1	
12	09320-08062	CUSHION	6	
13	09360-14014	UNION	1	
14	09401-11425	CLIP	4	
15	09403-16307	CLAMP	1	
16	09408-00105	CLAMP	1	
17	09408-00155	CLAMP	1	
18	01550-08407	BOLT	4	
19	15680-93J21	HOSE, FUEL (PUMP TO FILTER)	1	
20	09401-13423	CLIP	1	
21	09408-00135	CLIP	2	
22	15684-98J00	GUIDE, FUEL HOSE	1	
23	01550-06107	BOLT	2	

FIG.58

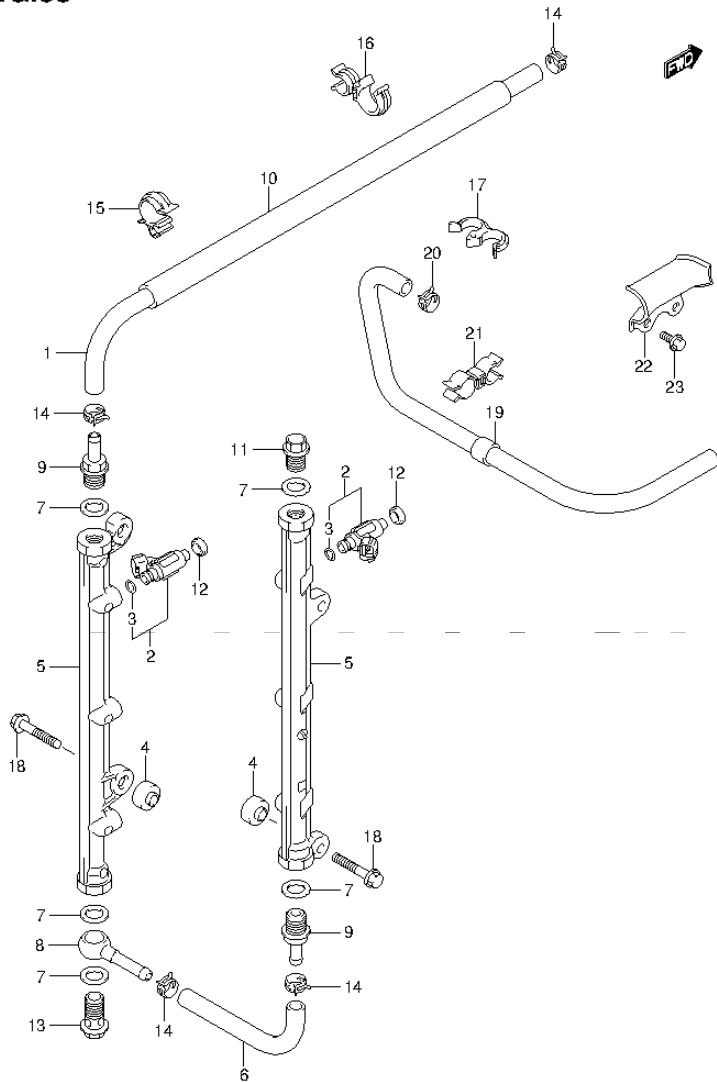


FIG.58 (1-I-9) FUEL INJECTOR (DF200Z E40)

REF NO.	PART NO.	DESCRIPTION	Q'TY	REMARKS
1	15681-93J01	HOSE, FUEL (3WAY TO DLVY PIPE)	1	
2	15710-93J00	INJECTOR ASSY, FUEL	6	
3	15717-16G00	O RING	6	
4	15735-58B00	INSULATOR, DELIVERY PIPE	4	
5	15751-93J00	PIPE, DELIVERY	2	
6	15756-93J01	HOSE, FUEL (DLVY TO DLVY)	1	
7	15762-93J10	GASKET, DELIVERY PIPE	5	
8	15832-93J00	UNION, DELIVERY PIPE	1	
9	15831-93J00	UNION, DELIVERY PIPE	2	
10	18498-93J00	PROTECTOR, FUEL HOSE (L:340)	1	
11	09247-14042	PLUG (14X14)	1	
12	09320-08062	CUSHION	6	
13	09360-14014	UNION	1	
14	09401-11425	CLIP	4	
15	09403-16307	CLAMP	1	
16	09408-00105	CLAMP	1	
17	09408-00155	CLAMP	1	
18	01550-08407	BOLT	4	
19	15680-93J21	HOSE, FUEL (PUMP TO FILTER)	1	
20	09401-13423	CLIP	1	
21	09408-00135	CLIP	2	
22	15684-98J00	GUIDE, FUEL HOSE	1	
23	01550-06107	BOLT	2	

FIG.59

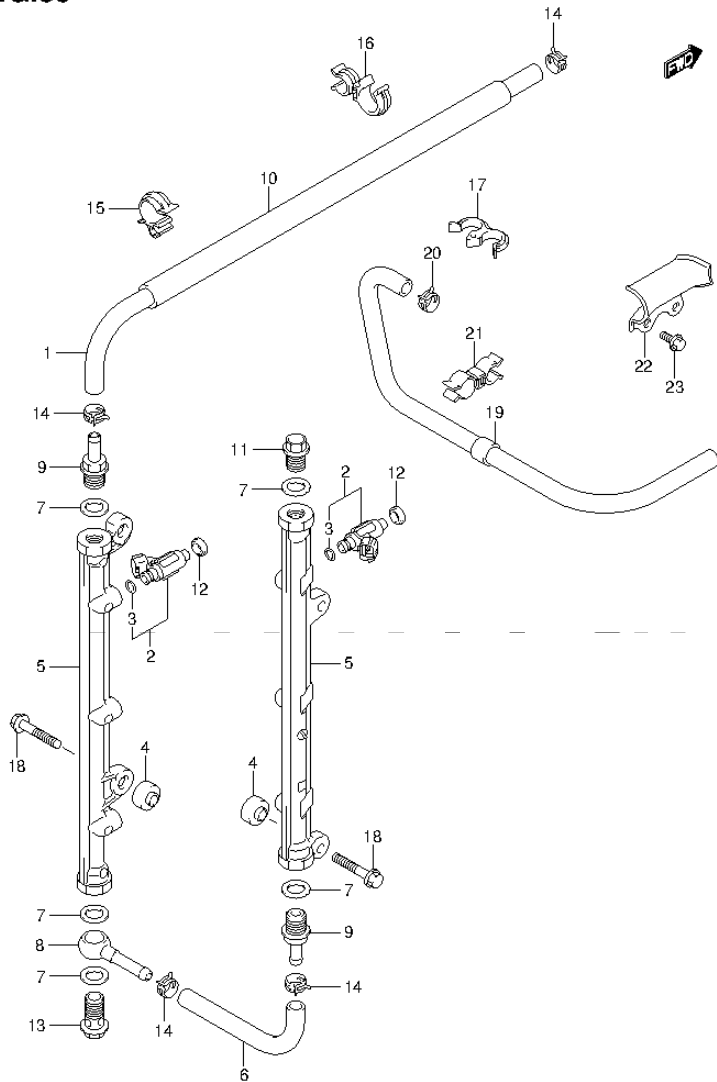


FIG.59 (1-I-10) FUEL INJECTOR (DF225T E1)

REF NO.	PART NO.	DESCRIPTION	Q'TY	REMARKS
1	15681-93J01	HOSE, FUEL (3WAY TO DLVY PIPE)	1	
2	15710-93J00	INJECTOR ASSY, FUEL	6	
3	15717-16G00	O RING	6	
4	15735-58B00	INSULATOR, DELIVERY PIPE	4	
5	15751-93J00	PIPE, DELIVERY	2	
6	15756-93J01	HOSE, FUEL (DLVY TO DLVY)	1	
7	15762-93J00	GASKET, DELIVERY PIPE	5	
8	15830-77EA0	UNION, DELIVERY PIPE	1	
9	15831-93J00	UNION, DELIVERY PIPE	2	
10	18498-93J00	PROTECTOR, FUEL HOSE (L:340)	1	
11	09247-14041	PLUG (14X14)	1	
12	09320-08062	CUSHION	6	
13	09360-14009	UNION	1	
14	09401-11425	CLIP	4	
15	09403-16307	CLAMP	1	
16	09408-00105	CLAMP	1	
17	09408-00155	CLAMP	1	
18	01550-08407	BOLT	4	
19	15680-93J21	HOSE, FUEL (PUMP TO FILTER)	1	
20	09401-13423	CLIP	1	
21	09408-00135	CLIP	2	
22	15684-98J00	GUIDE, FUEL HOSE	1	
23	01550-06107	BOLT	2	

FIG.60

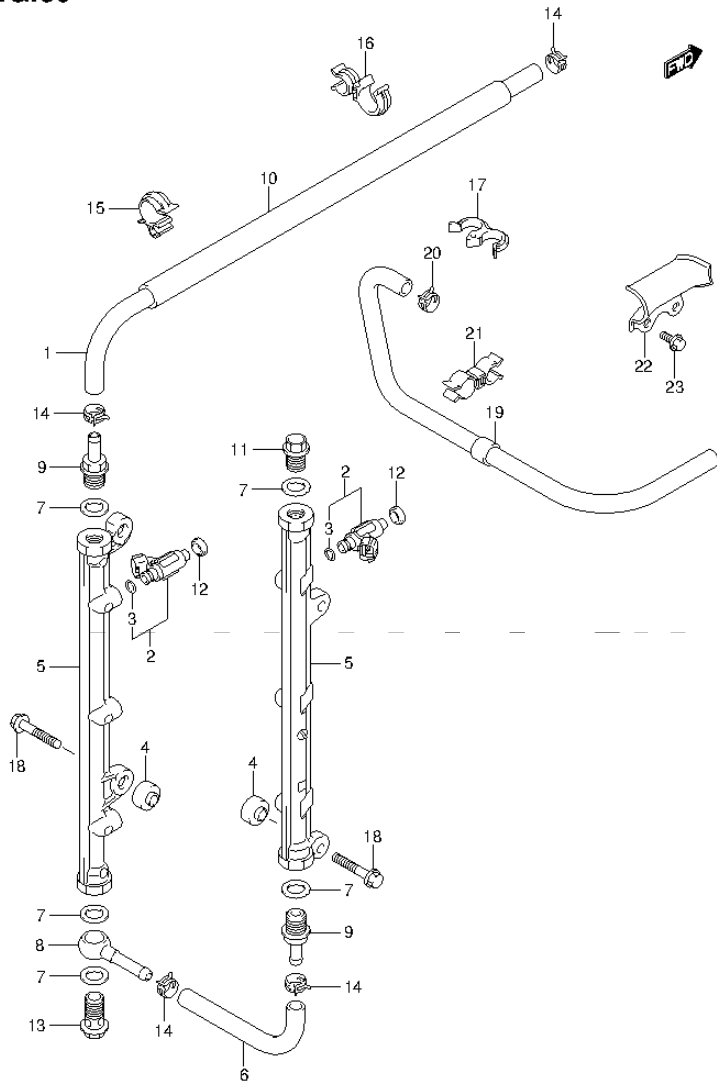


FIG.60 (1-1-11) FUEL INJECTOR (DF225T E40)

REF NO.	PART NO.	DESCRIPTION	Q'TY	REMARKS
1	15681-93J01	HOSE, FUEL (3WAY TO DLVY PIPE)	1	
2	15710-93J00	INJECTOR ASSY, FUEL	6	
3	15717-16G00	O RING	6	
4	15735-58B00	INSULATOR, DELIVERY PIPE	4	
5	15751-93J00	PIPE, DELIVERY	2	
6	15756-93J01	HOSE, FUEL (DLVY TO DLVY)	1	
7	15762-93J10	GASKET, DELIVERY PIPE	5	
8	15832-93J00	UNION, DELIVERY PIPE	1	
9	15831-93J00	UNION, DELIVERY PIPE	2	
10	18498-93J00	PROTECTOR, FUEL HOSE (L:340)	1	
11	09247-14042	PLUG (14X14)	1	
12	09320-08062	CUSHION	6	
13	09360-14014	UNION	1	
14	09401-11425	CLIP	4	
15	09403-16307	CLAMP	1	
16	09408-00105	CLAMP	1	
17	09408-00155	CLAMP	1	
18	01550-08407	BOLT	4	
19	15680-93J21	HOSE, FUEL (PUMP TO FILTER)	1	
20	09401-13423	CLIP	1	
21	09408-00135	CLIP	2	
22	15684-98J00	GUIDE, FUEL HOSE	1	
23	01550-06107	BOLT	2	

FIG.61

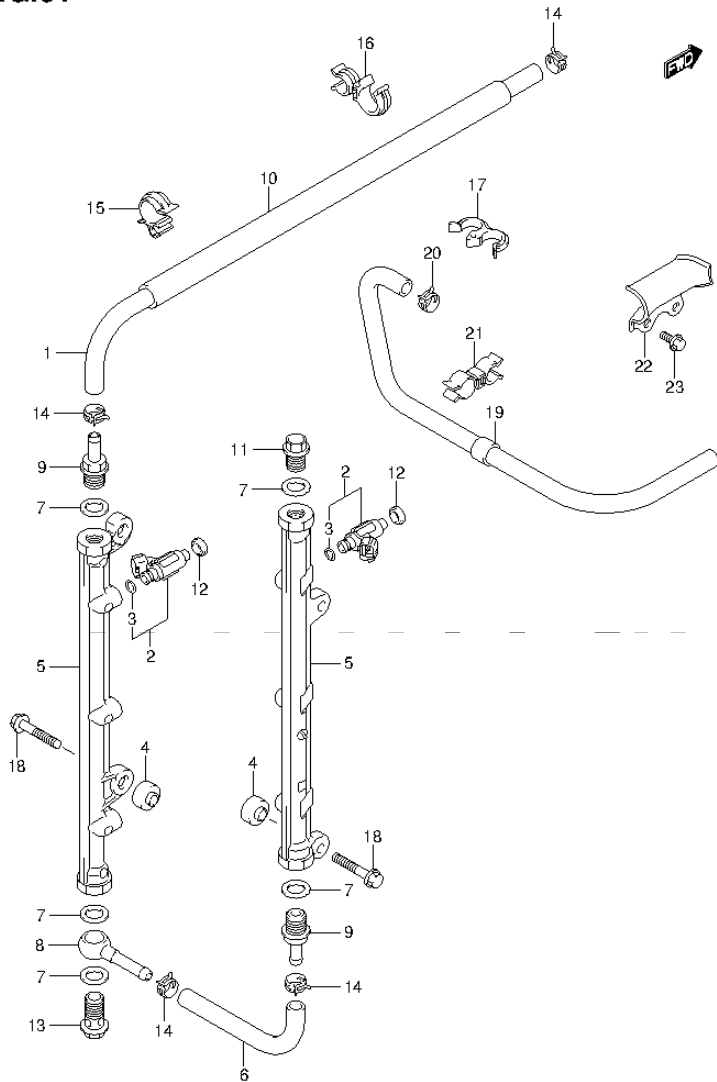


FIG.61 (1-I-12) FUEL INJECTOR (DF225Z E1)

REF NO.	PART NO.	DESCRIPTION	Q'TY	REMARKS
1	15681-93J01	HOSE, FUEL (3WAY TO DLVY PIPE)	1	
2	15710-93J00	INJECTOR ASSY, FUEL	6	
3	15717-16G00	O RING	6	
4	15735-58B00	INSULATOR, DELIVERY PIPE	4	
5	15751-93J00	PIPE, DELIVERY	2	
6	15756-93J01	HOSE, FUEL (DLVY TO DLVY)	1	
7	15762-93J00	GASKET, DELIVERY PIPE	5	
8	15830-77EA0	UNION, DELIVERY PIPE	1	
9	15831-93J00	UNION, DELIVERY PIPE	2	
10	18498-93J00	PROTECTOR, FUEL HOSE (L:340)	1	
11	09247-14041	PLUG (14X14)	1	
12	09320-08062	CUSHION	6	
13	09360-14009	UNION	1	
14	09401-11425	CLIP	4	
15	09403-16307	CLAMP	1	
16	09408-00105	CLAMP	1	
17	09408-00155	CLAMP	1	
18	01550-08407	BOLT	4	
19	15680-93J21	HOSE, FUEL (PUMP TO FILTER)	1	
20	09401-13423	CLIP	1	
21	09408-00135	CLIP	2	
22	15684-98J00	GUIDE, FUEL HOSE	1	
23	01550-06107	BOLT	2	

FIG.62

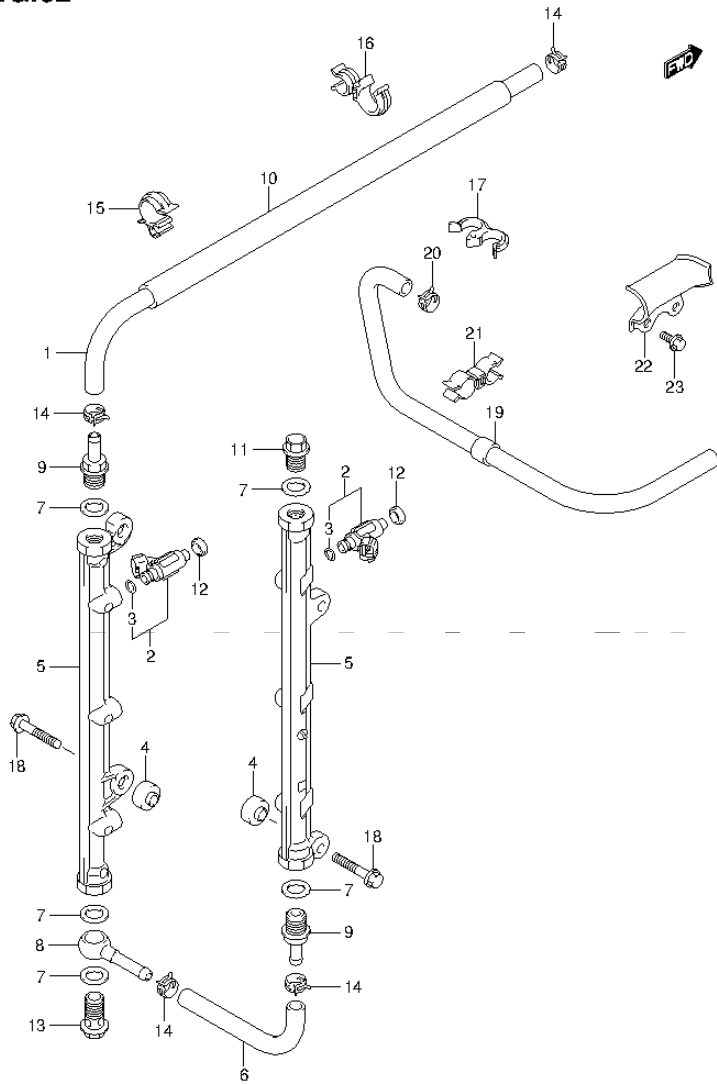


FIG.62 (1-I-13) FUEL INJECTOR (DF225Z E40)

REF NO.	PART NO.	DESCRIPTION	Q'TY	REMARKS
1	15681-93J01	HOSE, FUEL (3WAY TO DLVY PIPE)	1	
2	15710-93J00	INJECTOR ASSY, FUEL	6	
3	15717-16G00	O RING	6	
4	15735-58B00	INSULATOR, DELIVERY PIPE	4	
5	15751-93J00	PIPE, DELIVERY	2	
6	15756-93J01	HOSE, FUEL (DLVY TO DLVY)	1	
7	15762-93J10	GASKET, DELIVERY PIPE	5	
8	15832-93J00	UNION, DELIVERY PIPE	1	
9	15831-93J00	UNION, DELIVERY PIPE	2	
10	18498-93J00	PROTECTOR, FUEL HOSE (L:340)	1	
11	09247-14042	PLUG (14X14)	1	
12	09320-08062	CUSHION	6	
13	09360-14014	UNION	1	
14	09401-11425	CLIP	4	
15	09403-16307	CLAMP	1	
16	09408-00105	CLAMP	1	
17	09408-00155	CLAMP	1	
18	01550-08407	BOLT	4	
19	15680-93J21	HOSE, FUEL (PUMP TO FILTER)	1	
20	09401-13423	CLIP	1	
21	09408-00135	CLIP	2	
22	15684-98J00	GUIDE, FUEL HOSE	1	
23	01550-06107	BOLT	2	

FIG.63

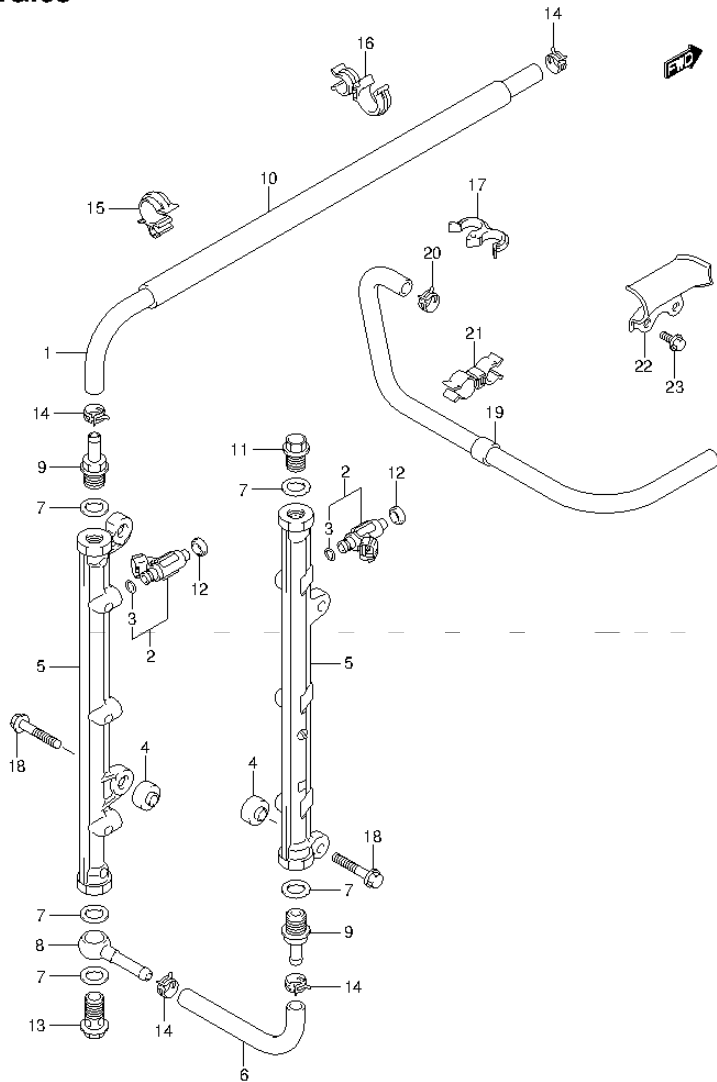


FIG.63 (1-I-14) FUEL INJECTOR (DF250T E1)

REF NO.	PART NO.	DESCRIPTION	Q'TY	REMARKS
1	15681-93J01	HOSE, FUEL (3WAY TO DLVY PIPE)	1	
2	15710-93J00	INJECTOR ASSY, FUEL	6	
3	15717-16G00	O RING	6	
4	15735-58B00	INSULATOR, DELIVERY PIPE	4	
5	15751-93J00	PIPE, DELIVERY	2	
6	15756-93J01	HOSE, FUEL (DLVY TO DLVY)	1	
7	15762-93J00	GASKET, DELIVERY PIPE	5	
8	15830-77EA0	UNION, DELIVERY PIPE	1	
9	15831-93J00	UNION, DELIVERY PIPE	2	
10	18498-93J00	PROTECTOR, FUEL HOSE (L:340)	1	
11	09247-14041	PLUG (14X14)	1	
12	09320-08062	CUSHION	6	
13	09360-14009	UNION	1	
14	09401-11425	CLIP	4	
15	09403-16307	CLAMP	1	
16	09408-00105	CLAMP	1	
17	09408-00155	CLAMP	1	
18	01550-08407	BOLT	4	
19	15680-93J21	HOSE, FUEL (PUMP TO FILTER)	1	
20	09401-13423	CLIP	1	
21	09408-00135	CLIP	2	
22	15684-98J00	GUIDE, FUEL HOSE	1	
23	01550-06107	BOLT	2	

FIG.64

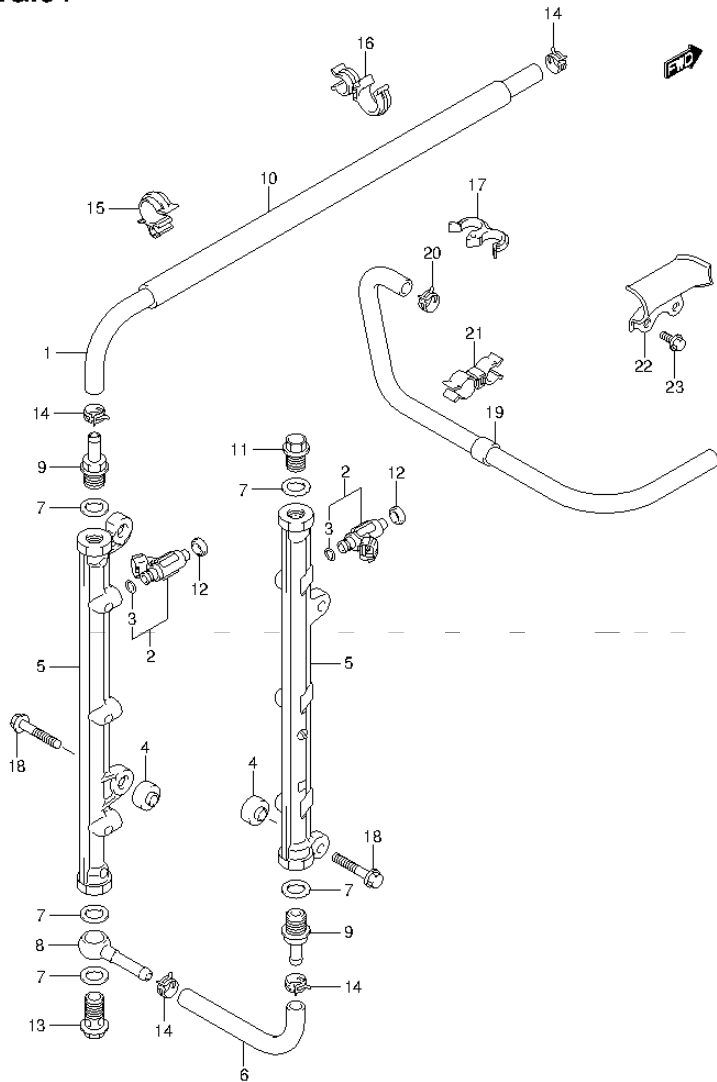


FIG.64 (1-15) FUEL INJECTOR (DF250T E40)

REF NO.	PART NO.	DESCRIPTION	Q'TY	REMARKS
1	15681-93J01	HOSE, FUEL (3WAY TO DLVY PIPE)	1	
2	15710-93J00	INJECTOR ASSY, FUEL	6	
3	15717-16G00	O RING	6	
4	15735-58B00	INSULATOR, DELIVERY PIPE	4	
5	15751-93J00	PIPE, DELIVERY	2	
6	15756-93J01	HOSE, FUEL (DLVY TO DLVY)	1	
7	15762-93J10	GASKET, DELIVERY PIPE	5	
8	15832-93J00	UNION, DELIVERY PIPE	1	
9	15831-93J00	UNION, DELIVERY PIPE	2	
10	18498-93J00	PROTECTOR, FUEL HOSE (L:340)	1	
11	09247-14042	PLUG (14X14)	1	
12	09320-08062	CUSHION	6	
13	09360-14014	UNION	1	
14	09401-11425	CLIP	4	
15	09403-16307	CLAMP	1	
16	09408-00105	CLAMP	1	
17	09408-00155	CLAMP	1	
18	01550-08407	BOLT	4	
19	15680-93J21	HOSE, FUEL (PUMP TO FILTER)	1	
20	09401-13423	CLIP	1	
21	09408-00135	CLIP	2	
22	15684-98J00	GUIDE, FUEL HOSE	1	
23	01550-06107	BOLT	2	

FIG.65

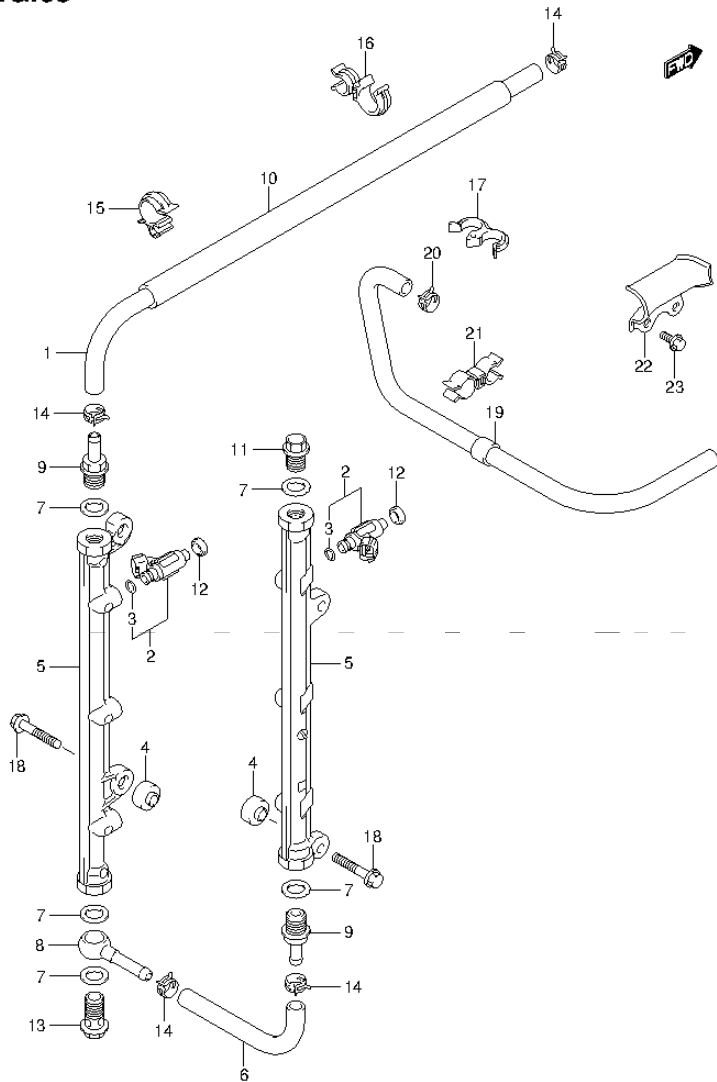


FIG.65 (1-J-2) FUEL INJECTOR (DF250Z E1)

REF NO.	PART NO.	DESCRIPTION	Q'TY	REMARKS
1	15681-93J01	HOSE, FUEL (3WAY TO DLVY PIPE)	1	
2	15710-93J00	INJECTOR ASSY, FUEL	6	
3	15717-16G00	O RING	6	
4	15735-58B00	INSULATOR, DELIVERY PIPE	4	
5	15751-93J00	PIPE, DELIVERY	2	
6	15756-93J01	HOSE, FUEL (DLVY TO DLVY)	1	
7	15762-93J00	GASKET, DELIVERY PIPE	5	
8	15830-77EA0	UNION, DELIVERY PIPE	1	
9	15831-93J00	UNION, DELIVERY PIPE	2	
10	18498-93J00	PROTECTOR, FUEL HOSE (L:340)	1	
11	09247-14041	PLUG (14X14)	1	
12	09320-08062	CUSHION	6	
13	09360-14009	UNION	1	
14	09401-11425	CLIP	4	
15	09403-16307	CLAMP	1	
16	09408-00105	CLAMP	1	
17	09408-00155	CLAMP	1	
18	01550-08407	BOLT	4	
19	15680-93J21	HOSE, FUEL (PUMP TO FILTER)	1	
20	09401-13423	CLIP	1	
21	09408-00135	CLIP	2	
22	15684-98J00	GUIDE, FUEL HOSE	1	
23	01550-06107	BOLT	2	

FIG.66

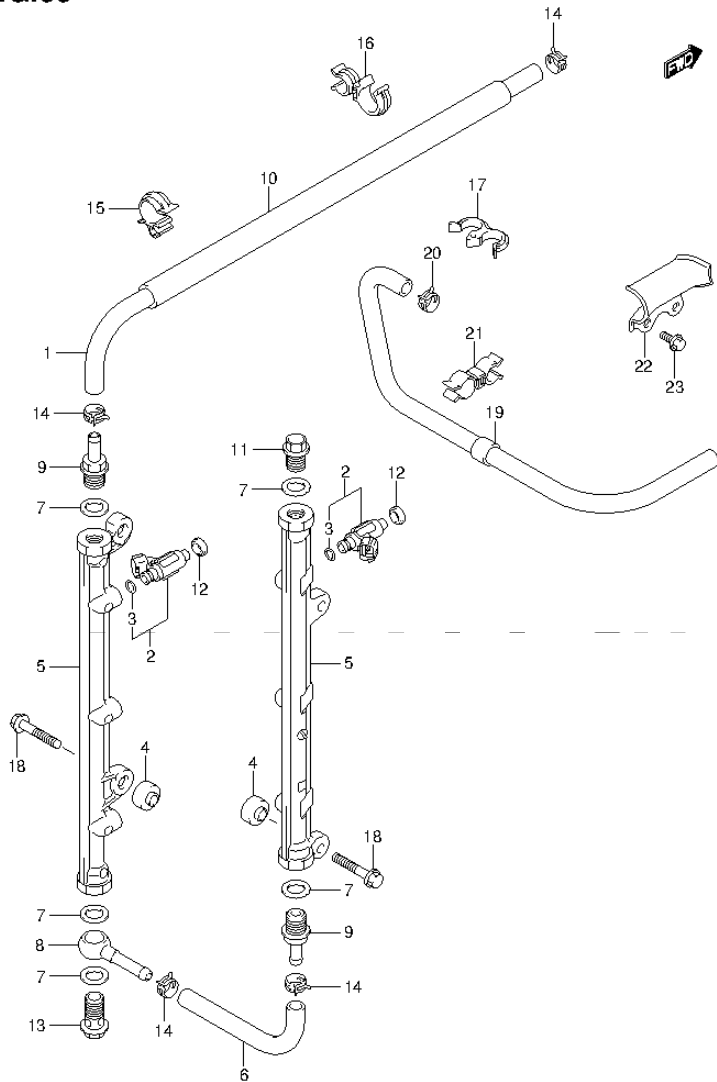


FIG.66 (1-J-3) FUEL INJECTOR (DF250Z E40)

REF NO.	PART NO.	DESCRIPTION	Q'TY	REMARKS
1	15681-93J01	HOSE, FUEL (3WAY TO DLVY PIPE)	1	
2	15710-93J00	INJECTOR ASSY, FUEL	6	
3	15717-16G00	O RING	6	
4	15735-58B00	INSULATOR, DELIVERY PIPE	4	
5	15751-93J00	PIPE, DELIVERY	2	
6	15756-93J01	HOSE, FUEL (DLVY TO DLVY)	1	
7	15762-93J10	GASKET, DELIVERY PIPE	5	
8	15832-93J00	UNION, DELIVERY PIPE	1	
9	15831-93J00	UNION, DELIVERY PIPE	2	
10	18498-93J00	PROTECTOR, FUEL HOSE (L:340)	1	
11	09247-14042	PLUG (14X14)	1	
12	09320-08062	CUSHION	6	
13	09360-14014	UNION	1	
14	09401-11425	CLIP	4	
15	09403-16307	CLAMP	1	
16	09408-00105	CLAMP	1	
17	09408-00155	CLAMP	1	
18	01550-08407	BOLT	4	
19	15680-93J21	HOSE, FUEL (PUMP TO FILTER)	1	
20	09401-13423	CLIP	1	
21	09408-00135	CLIP	2	
22	15684-98J00	GUIDE, FUEL HOSE	1	
23	01550-06107	BOLT	2	

FIG.67

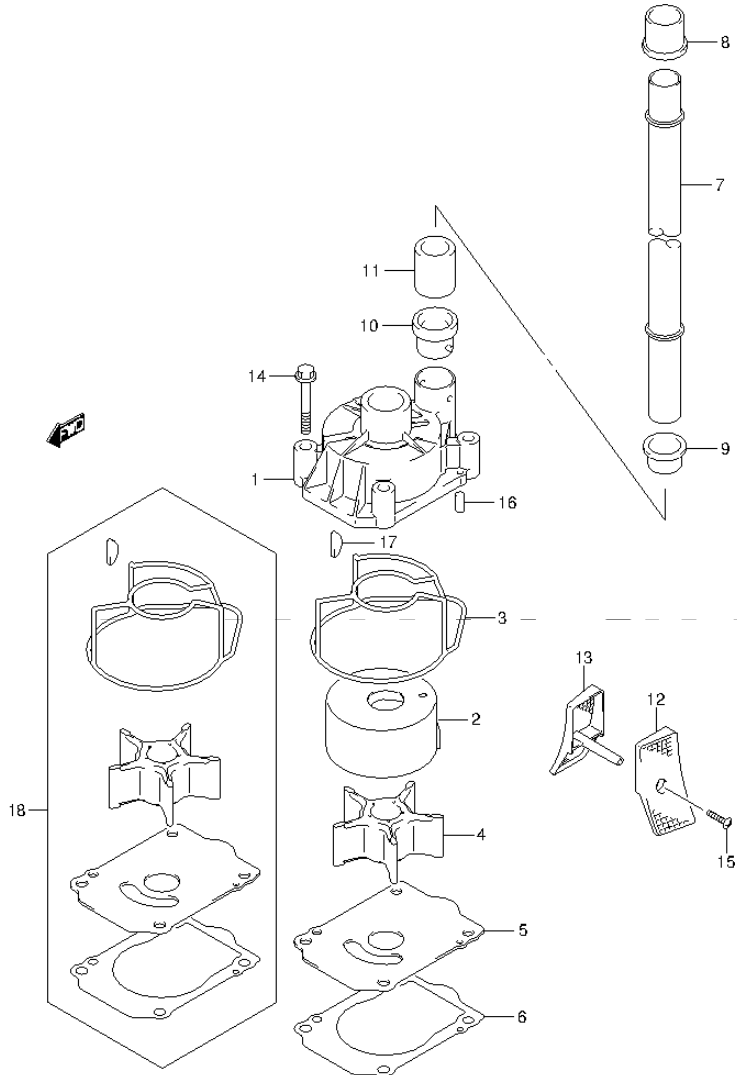


FIG.67 (1-J-4) WATER PUMP (DF200T E1)

REF NO.	PART NO.	DESCRIPTION	Q'TY	REMARKS
1	17410-93J00	CASE, WATER PUMP	1	
2	17413-93J02	SLEEVE, CASE	1	
3	17416-93J00	SEALING, CASE	1	
4	17461-93J00	IMPELLER, WATER PUMP	1	
5	17471-93J01	PANEL, PUMP CASE UNDER	1	
6	17472-93J00	GASKET, PUMP CASE PANEL	1	
7-1	17561-93J03	TUBE, WATER (X)	1	W/TRANSOM(X)
7-2	17561-93J13	TUBE, WATER (XX)	1	W/TRANSOM(XX)
7-3	17561-93J21	TUBE, WATER (L)	1	W/TRANSOM(L)
8	17562-93J00	BUSH, WATER TUBE UPPER	1	
9	17563-93J00	BUSH, WATER TUBE LOWER	1	
10	17564-93J00	BUSH, WATER PUMP CASE	1	
11	17612-93J00	SPACER, WATER TUBE	1	
12-1	17631-93J20	FILTER, WATER PORT SIDE	1	
12-2	17631-93J30	FILTER, WATER PORT SIDE	1	OPT
13-1	17632-93J20	FILTER, WATER STBD SIDE	1	
13-2	17632-93J30	FILTER, WATER STBD SIDE	1	OPT
14	09116-08131	BOLT (8X45)	4	
15	09132-04034	SCREW (4X18)	1	
16	09202-06031	PIN (6X12)	2	
17	09420-05009	KEY	1	
18	17400-93J01	WATER PUMP REPAIR KIT	1	OPT

FIG.68

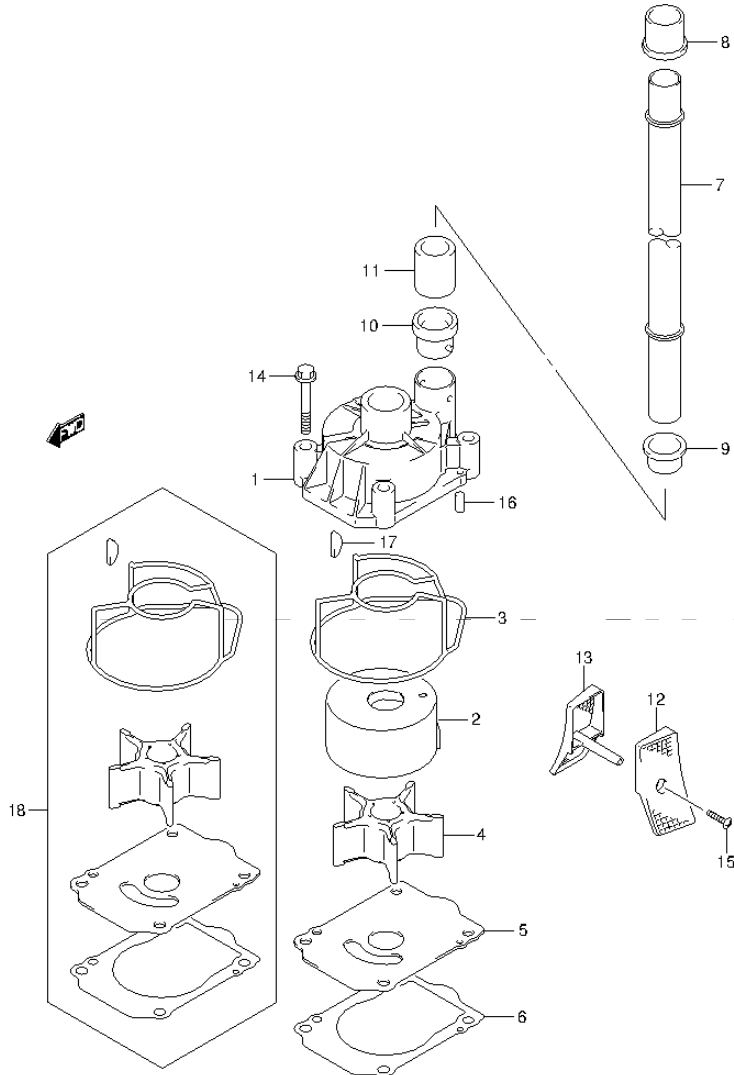


FIG.68 (1-J-5) WATER PUMP (DF200T E40)

REF NO.	PART NO.	DESCRIPTION	Q'TY	REMARKS
1	17410-93J00	CASE, WATER PUMP	1	
2	17413-93J12	SLEEVE, CASE	1	
3	17416-93J00	SEALING, CASE	1	
4	17461-93J00	IMPELLER, WATER PUMP	1	
5	17471-93J11	PANEL, PUMP CASE UNDER	1	
6	17472-93J00	GASKET, PUMP CASE PANEL	1	
7-1	17561-93J03	TUBE, WATER (X)	1	W/TRANSOM(X)
7-2	17561-93J21	TUBE, WATER (L)	1	W/TRANSOM(L)
8	17562-93J00	BUSH, WATER TUBE UPPER	1	
9	17563-93J00	BUSH, WATER TUBE LOWER	1	
10	17564-93J00	BUSH, WATER PUMP CASE	1	
11	17612-93J00	SPACER, WATER TUBE	1	
12-1	17631-93J20	FILTER, WATER PORT SIDE	1	
12-2	17631-93J30	FILTER, WATER PORT SIDE	1	OPT
13-1	17632-93J20	FILTER, WATER STBD SIDE	1	
13-2	17632-93J30	FILTER, WATER STBD SIDE	1	OPT
14	09116-08131	BOLT (8X45)	4	
15	09132-04034	SCREW (4X18)	1	
16	09202-06031	PIN (6X12)	2	
17	09420-05009	KEY	1	
18	17400-93J01	WATER PUMP REPAIR KIT	1	OPT

FIG.69

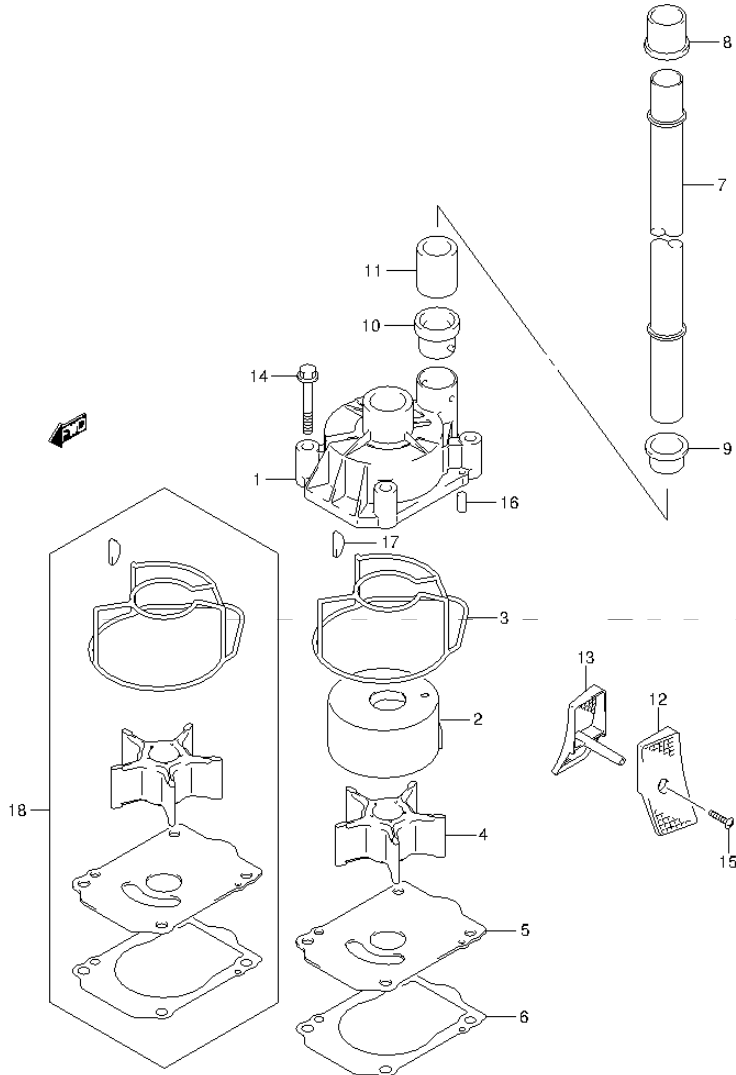


FIG.69 (1-J-6) WATER PUMP (DF200Z E1)

REF NO.	PART NO.	DESCRIPTION	Q'TY	REMARKS
1	17410-93J00	CASE, WATER PUMP	1	
2	17413-93J02	SLEEVE, CASE	1	
3	17416-93J00	SEALING, CASE	1	
4	17461-93J00	IMPELLER, WATER PUMP	1	
5	17471-93J01	PANEL, PUMP CASE UNDER	1	
6	17472-93J00	GASKET, PUMP CASE PANEL	1	
7-1	17561-93J03	TUBE, WATER (X)	1	W/TRANSOM(X)
7-2	17561-93J13	TUBE, WATER (XX)	1	W/TRANSOM(XX)
8	17562-93J00	BUSH, WATER TUBE UPPER	1	
9	17563-93J00	BUSH, WATER TUBE LOWER	1	
10	17564-93J00	BUSH, WATER PUMP CASE	1	
11	17612-93J00	SPACER, WATER TUBE	1	
12-1	17631-93J20	FILTER, WATER PORT SIDE	1	
12-2	17631-93J30	FILTER, WATER PORT SIDE	1	OPT
13-1	17632-93J20	FILTER, WATER STBD SIDE	1	
13-2	17632-93J30	FILTER, WATER STBD SIDE	1	OPT
14	09116-08131	BOLT (8X45)	4	
15	09132-04034	SCREW (4X18)	1	
16	09202-06031	PIN (6X12)	2	
17	09420-05009	KEY	1	
18	17400-93J01	WATER PUMP REPAIR KIT	1	OPT

FIG.70

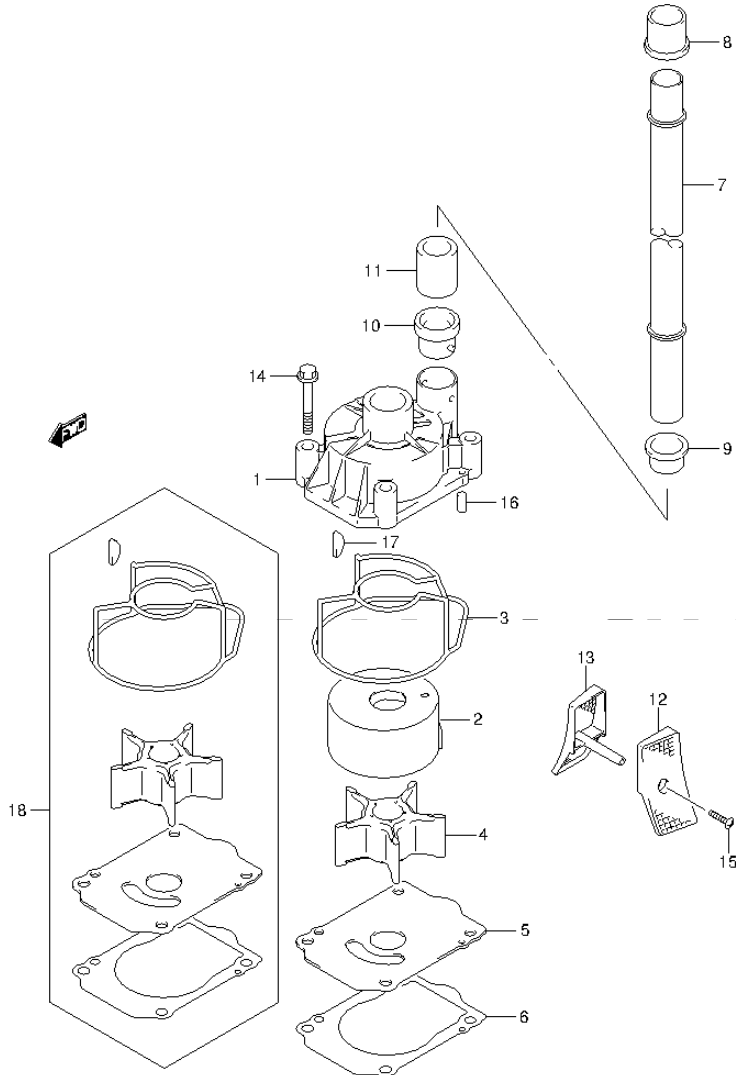


FIG.70 (1-J-7) WATER PUMP (DF200Z E40)

REF NO.	PART NO.	DESCRIPTION	Q'TY	REMARKS
1	17410-93J00	CASE, WATER PUMP	1	
2	17413-93J12	SLEEVE, CASE	1	
3	17416-93J00	SEALING, CASE	1	
4	17461-93J00	IMPELLER, WATER PUMP	1	
5	17471-93J11	PANEL, PUMP CASE UNDER	1	
6	17472-93J00	GASKET, PUMP CASE PANEL	1	
7	17561-93J03	TUBE, WATER (X)	1	
8	17562-93J00	BUSH, WATER TUBE UPPER	1	
9	17563-93J00	BUSH, WATER TUBE LOWER	1	
10	17564-93J00	BUSH, WATER PUMP CASE	1	
11	17612-93J00	SPACER, WATER TUBE	1	
12-1	17631-93J20	FILTER, WATER PORT SIDE	1	
12-2	17631-93J30	FILTER, WATER PORT SIDE	1	OPT
13-1	17632-93J20	FILTER, WATER STBD SIDE	1	
13-2	17632-93J30	FILTER, WATER STBD SIDE	1	OPT
14	09116-08131	BOLT (8X45)	4	
15	09132-04034	SCREW (4X18)	1	
16	09202-06031	PIN (6X12)	2	
17	09420-05009	KEY	1	
18	17400-93J01	WATER PUMP REPAIR KIT	1	OPT

FIG.71

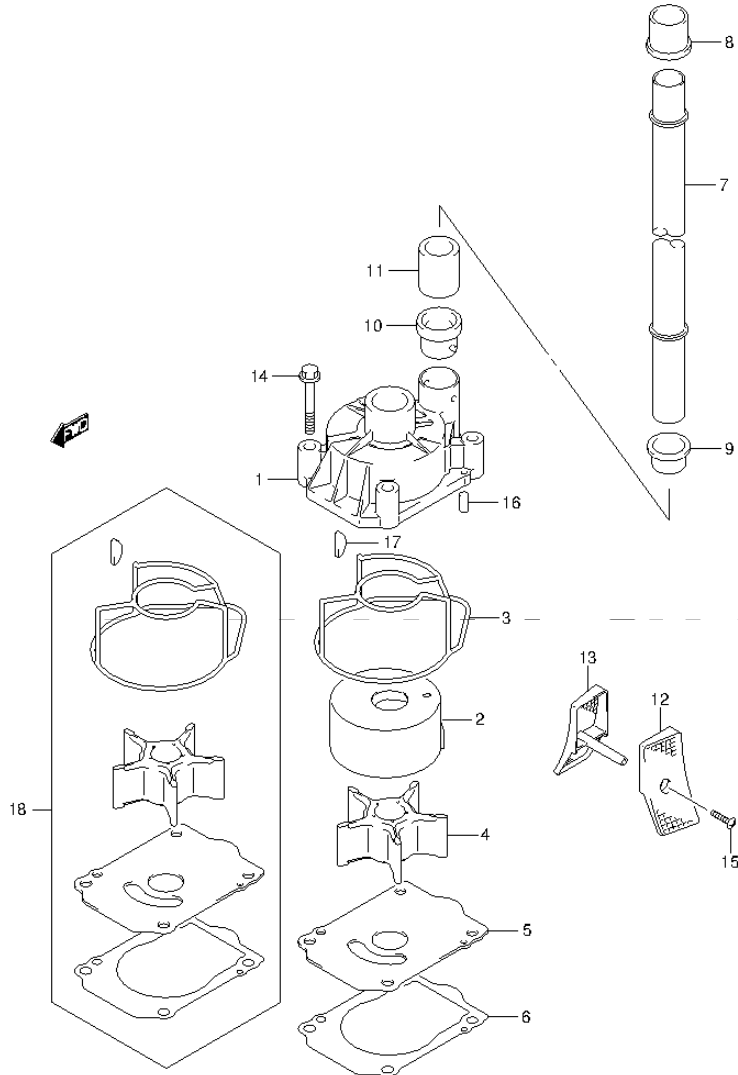


FIG.71 (1-J-8) WATER PUMP (DF225T E1)

REF NO.	PART NO.	DESCRIPTION	Q'TY	REMARKS
1	17410-93J00	CASE, WATER PUMP	1	
2	17413-93J02	SLEEVE, CASE	1	
3	17416-93J00	SEALING, CASE	1	
4	17461-93J00	IMPELLER, WATER PUMP	1	
5	17471-93J01	PANEL, PUMP CASE UNDER	1	
6	17472-93J00	GASKET, PUMP CASE PANEL	1	
7-1	17561-93J03	TUBE, WATER (X)	1	W/TRANSOM(X)
7-2	17561-93J13	TUBE, WATER (XX)	1	W/TRANSOM(XX)
8	17562-93J00	BUSH, WATER TUBE UPPER	1	
9	17563-93J00	BUSH, WATER TUBE LOWER	1	
10	17564-93J00	BUSH, WATER PUMP CASE	1	
11	17612-93J00	SPACER, WATER TUBE	1	
12-1	17631-93J20	FILTER, WATER PORT SIDE	1	
12-2	17631-93J30	FILTER, WATER PORT SIDE	1	OPT
13-1	17632-93J20	FILTER, WATER STBD SIDE	1	
13-2	17632-93J30	FILTER, WATER STBD SIDE	1	OPT
14	09116-08131	BOLT (8X45)	4	
15	09132-04034	SCREW (4X18)	1	
16	09202-06031	PIN (6X12)	2	
17	09420-05009	KEY	1	
18	17400-93J01	WATER PUMP REPAIR KIT	1	OPT

FIG.72

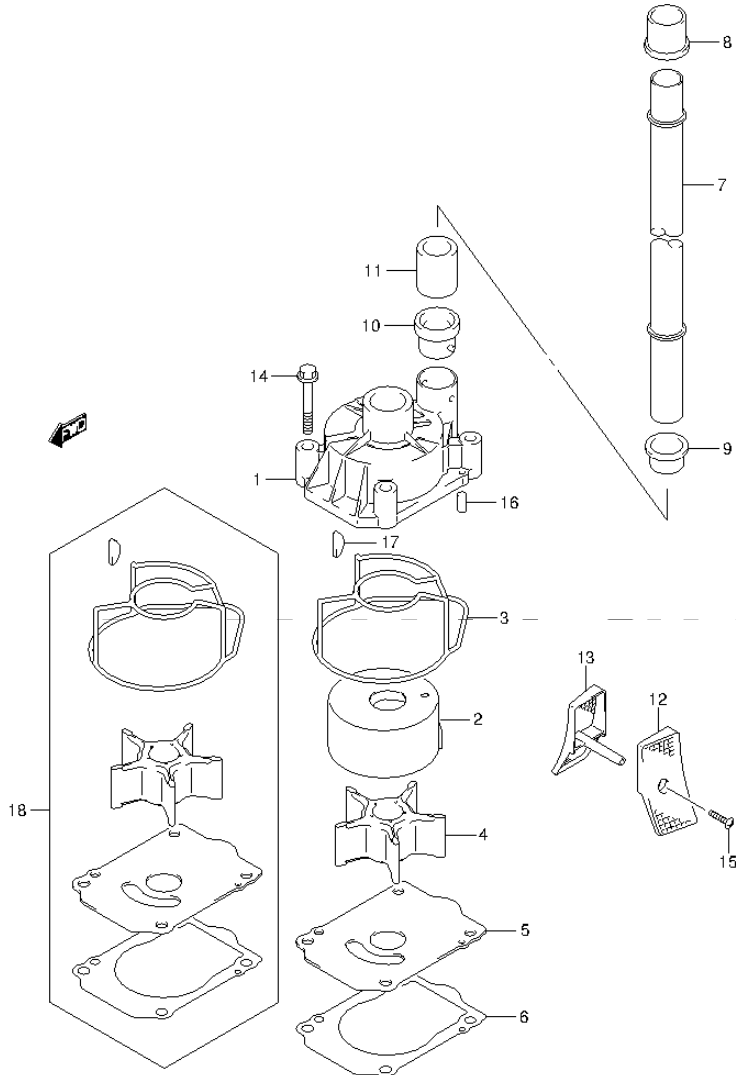


FIG.72 (1-J-9) WATER PUMP (DF225T E40)

REF NO.	PART NO.	DESCRIPTION	Q'TY	REMARKS
1	17410-93J00	CASE, WATER PUMP	1	
2	17413-93J12	SLEEVE, CASE	1	
3	17416-93J00	SEALING, CASE	1	
4	17461-93J00	IMPELLER, WATER PUMP	1	
5	17471-93J11	PANEL, PUMP CASE UNDER	1	
6	17472-93J00	GASKET, PUMP CASE PANEL	1	
7-1	17561-93J03	TUBE, WATER (X)	1	W/TRANSOM(X)
7-2	17561-93J13	TUBE, WATER (XX)	1	W/TRANSOM(XX)
8	17562-93J00	BUSH, WATER TUBE UPPER	1	
9	17563-93J00	BUSH, WATER TUBE LOWER	1	
10	17564-93J00	BUSH, WATER PUMP CASE	1	
11	17612-93J00	SPACER, WATER TUBE	1	
12-1	17631-93J20	FILTER, WATER PORT SIDE	1	
12-2	17631-93J30	FILTER, WATER PORT SIDE	1	OPT
13-1	17632-93J20	FILTER, WATER STBD SIDE	1	
13-2	17632-93J30	FILTER, WATER STBD SIDE	1	OPT
14	09116-08131	BOLT (8X45)	4	
15	09132-04034	SCREW (4X18)	1	
16	09202-06031	PIN (6X12)	2	
17	09420-05009	KEY	1	
18	17400-93J01	WATER PUMP REPAIR KIT	1	OPT

FIG.73

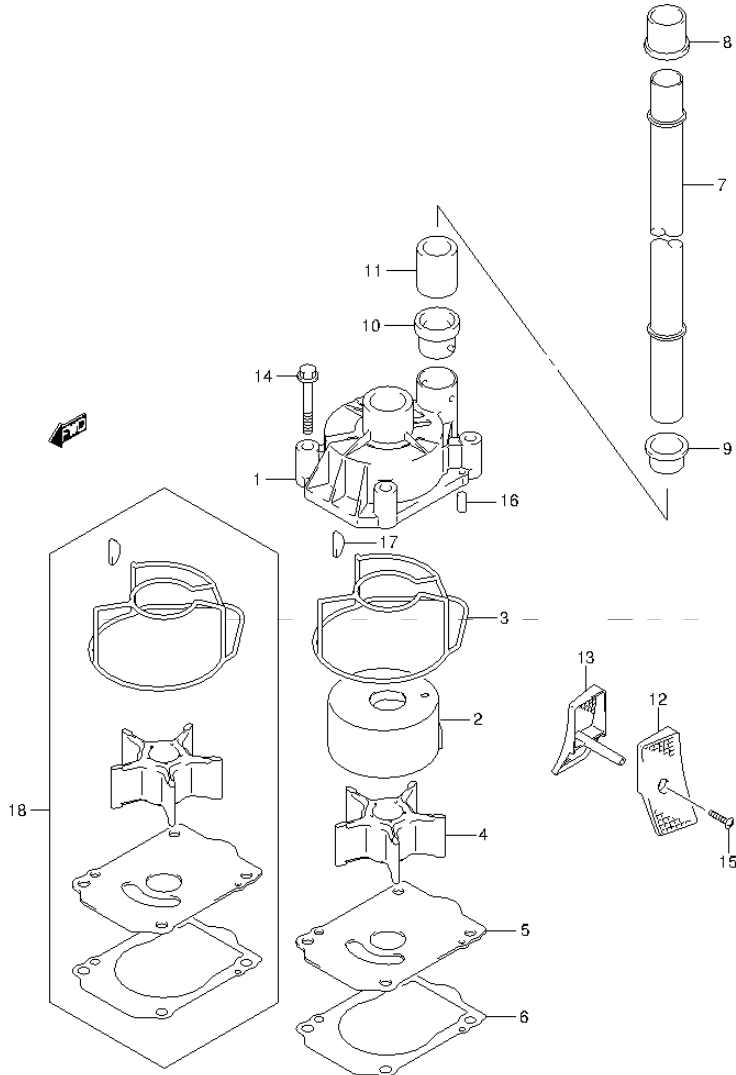


FIG.73 (1-J-10) WATER PUMP (DF225Z E1)

REF NO.	PART NO.	DESCRIPTION	Q'TY	REMARKS
1	17410-93J00	CASE, WATER PUMP	1	
2	17413-93J02	SLEEVE, CASE	1	
3	17416-93J00	SEALING, CASE	1	
4	17461-93J00	IMPELLER, WATER PUMP	1	
5	17471-93J01	PANEL, PUMP CASE UNDER	1	
6	17472-93J00	GASKET, PUMP CASE PANEL	1	
7-1	17561-93J03	TUBE, WATER (X)	1	W/TRANSOM(X)
7-2	17561-93J13	TUBE, WATER (XX)	1	W/TRANSOM(XX)
8	17562-93J00	BUSH, WATER TUBE UPPER	1	
9	17563-93J00	BUSH, WATER TUBE LOWER	1	
10	17564-93J00	BUSH, WATER PUMP CASE	1	
11	17612-93J00	SPACER, WATER TUBE	1	
12-1	17631-93J20	FILTER, WATER PORT SIDE	1	
12-2	17631-93J30	FILTER, WATER PORT SIDE	1	OPT
13-1	17632-93J20	FILTER, WATER STBD SIDE	1	
13-2	17632-93J30	FILTER, WATER STBD SIDE	1	OPT
14	09116-08131	BOLT (8X45)	4	
15	09132-04034	SCREW (4X18)	1	
16	09202-06031	PIN (6X12)	2	
17	09420-05009	KEY	1	
18	17400-93J01	WATER PUMP REPAIR KIT	1	OPT

FIG.74

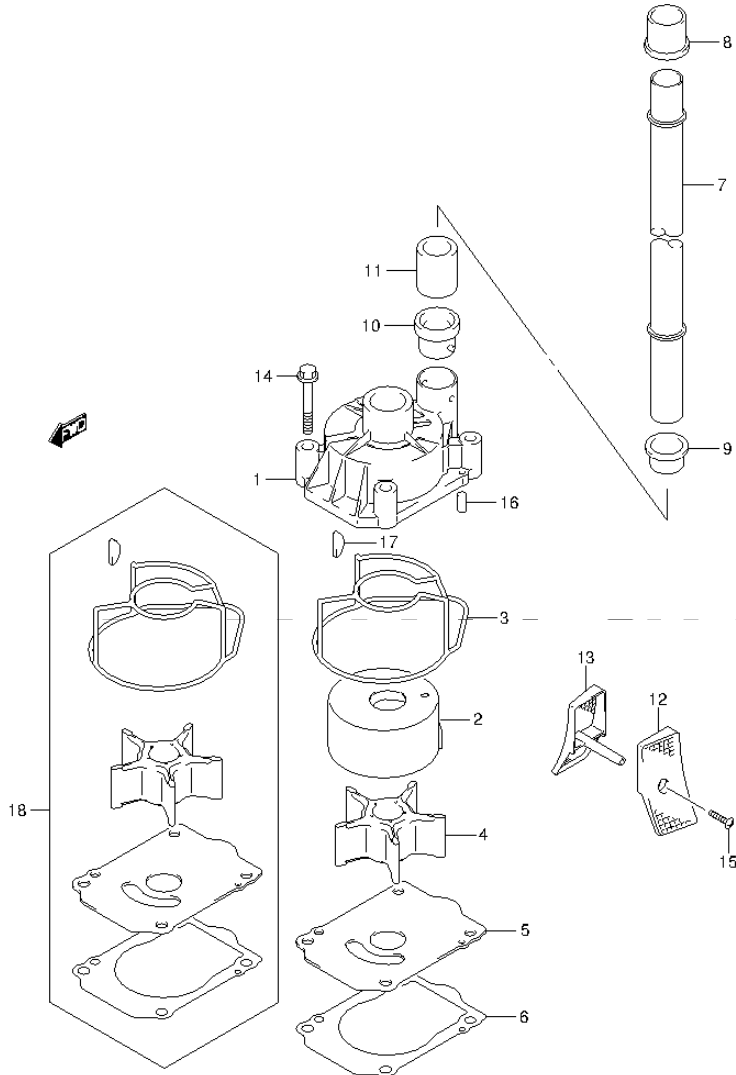


FIG.74 (1-J-11) WATER PUMP (DF225Z E40)

REF NO.	PART NO.	DESCRIPTION	Q'TY	REMARKS
1	17410-93J00	CASE, WATER PUMP	1	
2	17413-93J12	SLEEVE, CASE	1	
3	17416-93J00	SEALING, CASE	1	
4	17461-93J00	IMPELLER, WATER PUMP	1	
5	17471-93J11	PANEL, PUMP CASE UNDER	1	
6	17472-93J00	GASKET, PUMP CASE PANEL	1	
7-1	17561-93J03	TUBE, WATER (X)	1	W/TRANSOM(X)
7-2	17561-93J13	TUBE, WATER (XX)	1	W/TRANSOM(XX)
8	17562-93J00	BUSH, WATER TUBE UPPER	1	
9	17563-93J00	BUSH, WATER TUBE LOWER	1	
10	17564-93J00	BUSH, WATER PUMP CASE	1	
11	17612-93J00	SPACER, WATER TUBE	1	
12-1	17631-93J20	FILTER, WATER PORT SIDE	1	
12-2	17631-93J30	FILTER, WATER PORT SIDE	1	OPT
13-1	17632-93J20	FILTER, WATER STBD SIDE	1	
13-2	17632-93J30	FILTER, WATER STBD SIDE	1	OPT
14	09116-08131	BOLT (8X45)	4	
15	09132-04034	SCREW (4X18)	1	
16	09202-06031	PIN (6X12)	2	
17	09420-05009	KEY	1	
18	17400-93J01	WATER PUMP REPAIR KIT	1	OPT

FIG.75

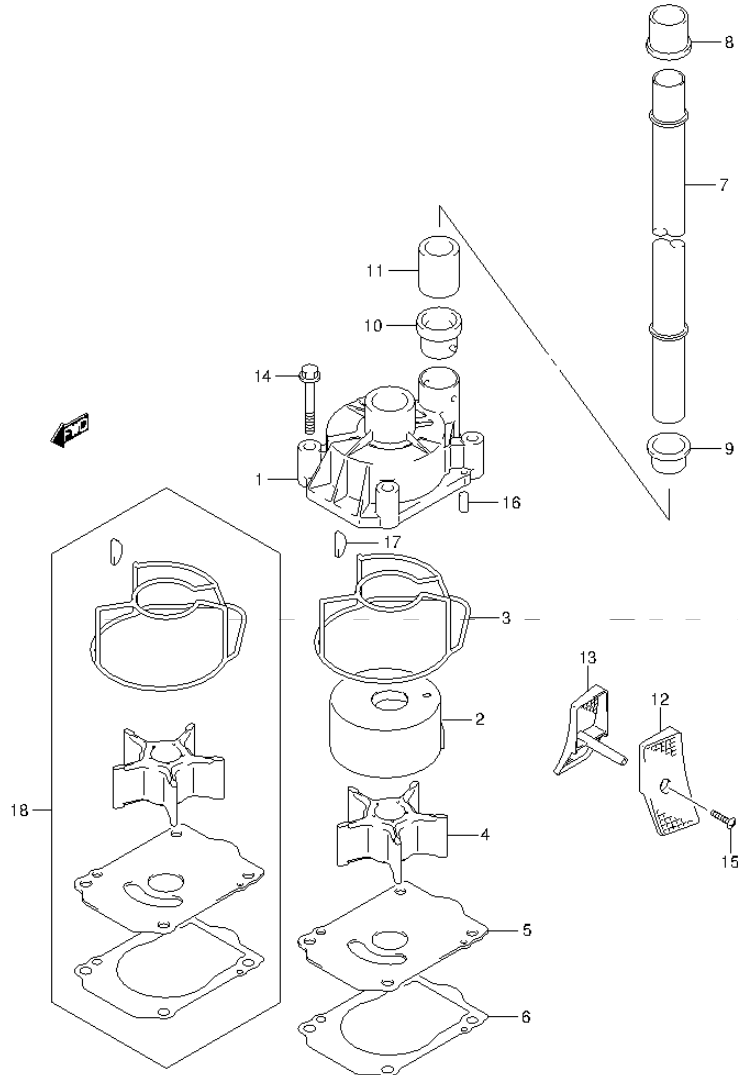


FIG.75 (1-J-12) WATER PUMP (DF250T E1)

REF NO.	PART NO.	DESCRIPTION	Q'TY	REMARKS
1	17410-93J00	CASE, WATER PUMP	1	
2	17413-93J02	SLEEVE, CASE	1	
3	17416-93J00	SEALING, CASE	1	
4	17461-93J00	IMPELLER, WATER PUMP	1	
5	17471-93J01	PANEL, PUMP CASE UNDER	1	
6	17472-93J00	GASKET, PUMP CASE PANEL	1	
7-1	17561-93J03	TUBE, WATER (X)	1	W/TRANSOM(X)
7-2	17561-93J13	TUBE, WATER (XX)	1	W/TRANSOM(XX)
8	17562-93J00	BUSH, WATER TUBE UPPER	1	
9	17563-93J00	BUSH, WATER TUBE LOWER	1	
10	17564-93J00	BUSH, WATER PUMP CASE	1	
11	17612-93J00	SPACER, WATER TUBE	1	
12-1	17631-93J20	FILTER, WATER PORT SIDE	1	
12-2	17631-93J30	FILTER, WATER PORT SIDE	1	OPT
13-1	17632-93J20	FILTER, WATER STBD SIDE	1	
13-2	17632-93J30	FILTER, WATER STBD SIDE	1	OPT
14	09116-08131	BOLT (8X45)	4	
15	09132-04034	SCREW (4X18)	1	
16	09202-06031	PIN (6X12)	2	
17	09420-05009	KEY	1	
18	17400-93J01	WATER PUMP REPAIR KIT	1	OPT

FIG.76

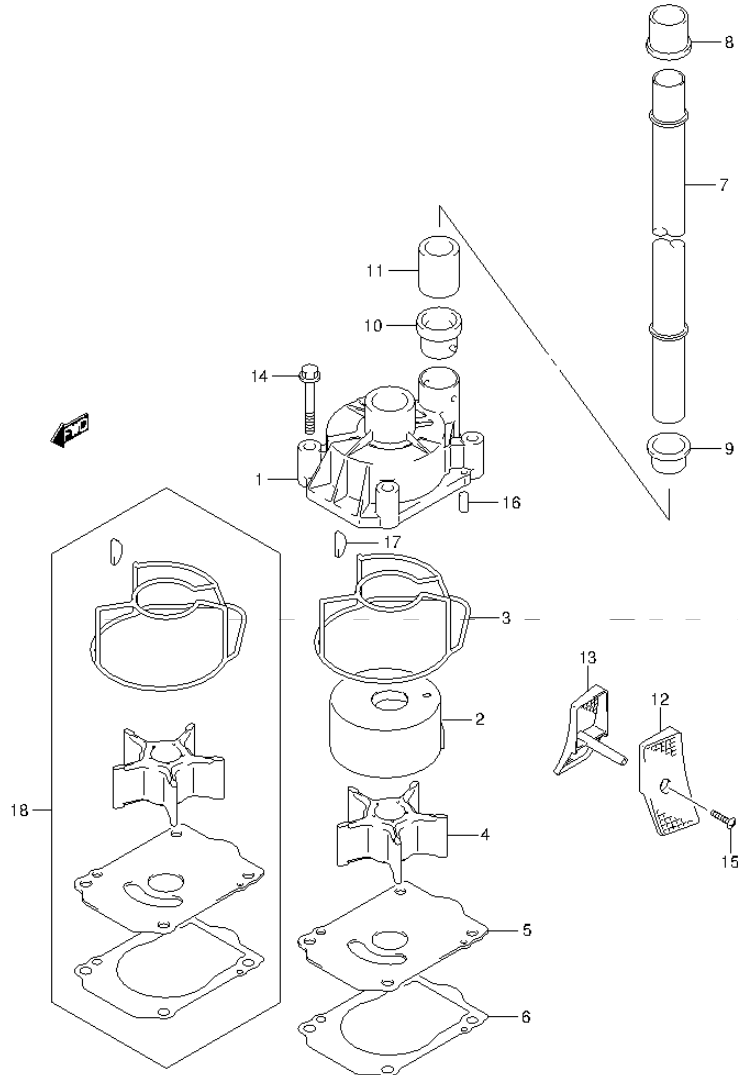


FIG.76 (1-J-13) WATER PUMP (DF250T E40)

REF NO.	PART NO.	DESCRIPTION	Q'TY	REMARKS
1	17410-93J00	CASE, WATER PUMP	1	
2	17413-93J12	SLEEVE, CASE	1	
3	17416-93J00	SEALING, CASE	1	
4	17461-93J00	IMPELLER, WATER PUMP	1	
5	17471-93J11	PANEL, PUMP CASE UNDER	1	
6	17472-93J00	GASKET, PUMP CASE PANEL	1	
7-1	17561-93J03	TUBE, WATER (X)	1	W/TRANSOM(X)
7-2	17561-93J13	TUBE, WATER (XX)	1	W/TRANSOM(XX)
8	17562-93J00	BUSH, WATER TUBE UPPER	1	
9	17563-93J00	BUSH, WATER TUBE LOWER	1	
10	17564-93J00	BUSH, WATER PUMP CASE	1	
11	17612-93J00	SPACER, WATER TUBE	1	
12-1	17631-93J20	FILTER, WATER PORT SIDE	1	
12-2	17631-93J30	FILTER, WATER PORT SIDE	1	OPT
13-1	17632-93J20	FILTER, WATER STBD SIDE	1	
13-2	17632-93J30	FILTER, WATER STBD SIDE	1	OPT
14	09116-08131	BOLT (8X45)	4	
15	09132-04034	SCREW (4X18)	1	
16	09202-06031	PIN (6X12)	2	
17	09420-05009	KEY	1	
18	17400-93J01	WATER PUMP REPAIR KIT	1	OPT

FIG.77

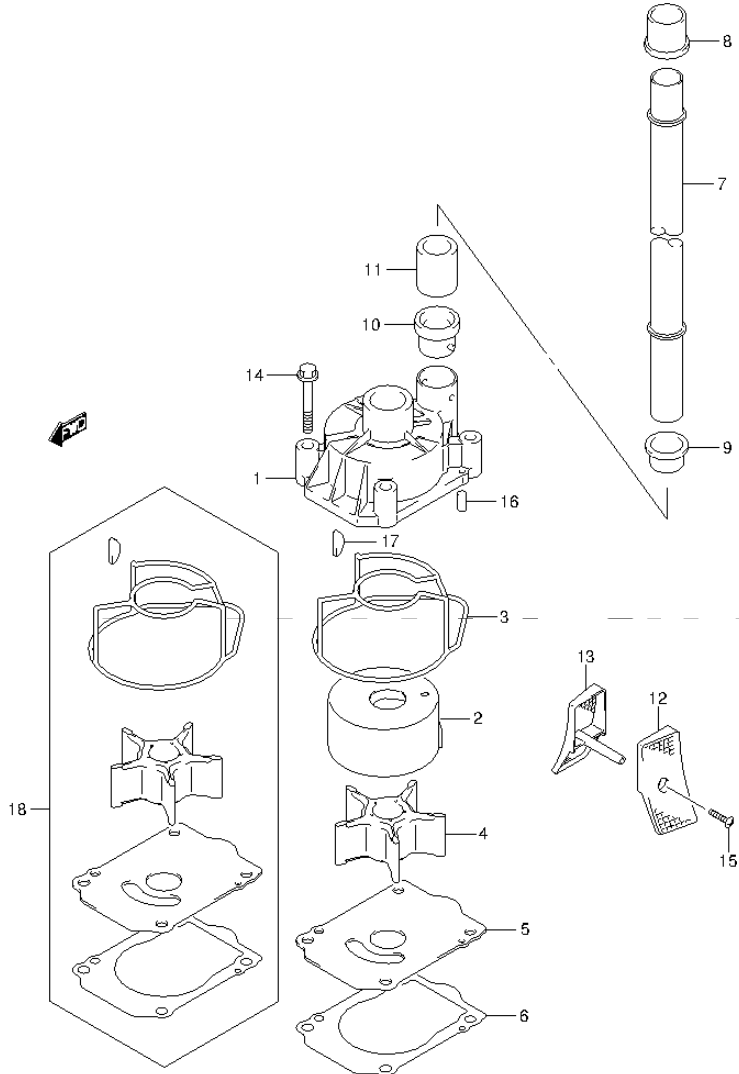


FIG.77 (1-J-14) WATER PUMP (DF250Z E1)

REF NO.	PART NO.	DESCRIPTION	Q'TY	REMARKS
1	17410-93J00	CASE, WATER PUMP	1	
2	17413-93J02	SLEEVE, CASE	1	
3	17416-93J00	SEALING, CASE	1	
4	17461-93J00	IMPELLER, WATER PUMP	1	
5	17471-93J01	PANEL, PUMP CASE UNDER	1	
6	17472-93J00	GASKET, PUMP CASE PANEL	1	
7-1	17561-93J03	TUBE, WATER (X)	1	W/TRANSOM(X)
7-2	17561-93J13	TUBE, WATER (XX)	1	W/TRANSOM(XX)
8	17562-93J00	BUSH, WATER TUBE UPPER	1	
9	17563-93J00	BUSH, WATER TUBE LOWER	1	
10	17564-93J00	BUSH, WATER PUMP CASE	1	
11	17612-93J00	SPACER, WATER TUBE	1	
12-1	17631-93J20	FILTER, WATER PORT SIDE	1	
12-2	17631-93J30	FILTER, WATER PORT SIDE	1	OPT
13-1	17632-93J20	FILTER, WATER STBD SIDE	1	
13-2	17632-93J30	FILTER, WATER STBD SIDE	1	OPT
14	09116-08131	BOLT (8X45)	4	
15	09132-04034	SCREW (4X18)	1	
16	09202-06031	PIN (6X12)	2	
17	09420-05009	KEY	1	
18	17400-93J01	WATER PUMP REPAIR KIT	1	OPT

FIG.78

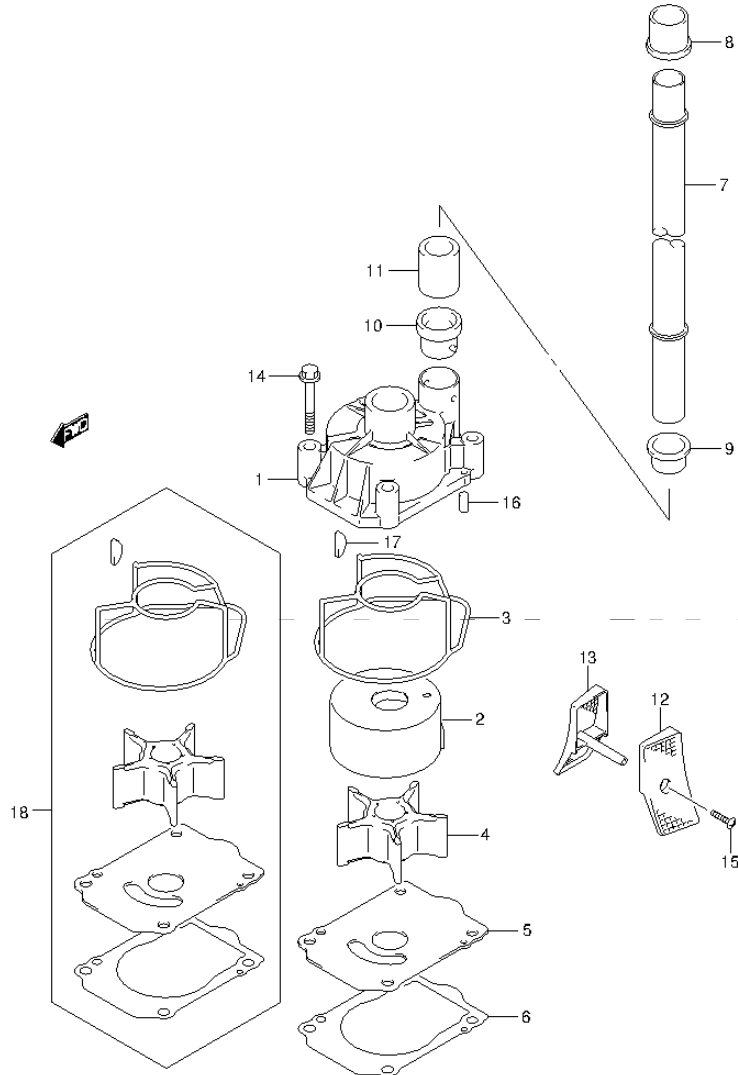


FIG.78 (1-J-15) WATER PUMP (DF250Z E40)

REF NO.	PART NO.	DESCRIPTION	Q'TY	REMARKS
1	17410-93J00	CASE, WATER PUMP	1	
2	17413-93J12	SLEEVE, CASE	1	
3	17416-93J00	SEALING, CASE	1	
4	17461-93J00	IMPELLER, WATER PUMP	1	
5	17471-93J11	PANEL, PUMP CASE UNDER	1	
6	17472-93J00	GASKET, PUMP CASE PANEL	1	
7-1	17561-93J03	TUBE, WATER (X)	1	W/TRANSOM(X)
7-2	17561-93J13	TUBE, WATER (XX)	1	W/TRANSOM(XX)
8	17562-93J00	BUSH, WATER TUBE UPPER	1	
9	17563-93J00	BUSH, WATER TUBE LOWER	1	
10	17564-93J00	BUSH, WATER PUMP CASE	1	
11	17612-93J00	SPACER, WATER TUBE	1	
12-1	17631-93J20	FILTER, WATER PORT SIDE	1	
12-2	17631-93J30	FILTER, WATER PORT SIDE	1	OPT
13-1	17632-93J20	FILTER, WATER STBD SIDE	1	
13-2	17632-93J30	FILTER, WATER STBD SIDE	1	OPT
14	09116-08131	BOLT (8X45)	4	
15	09132-04034	SCREW (4X18)	1	
16	09202-06031	PIN (6X12)	2	
17	09420-05009	KEY	1	
18	17400-93J01	WATER PUMP REPAIR KIT	1	OPT

FIG.79

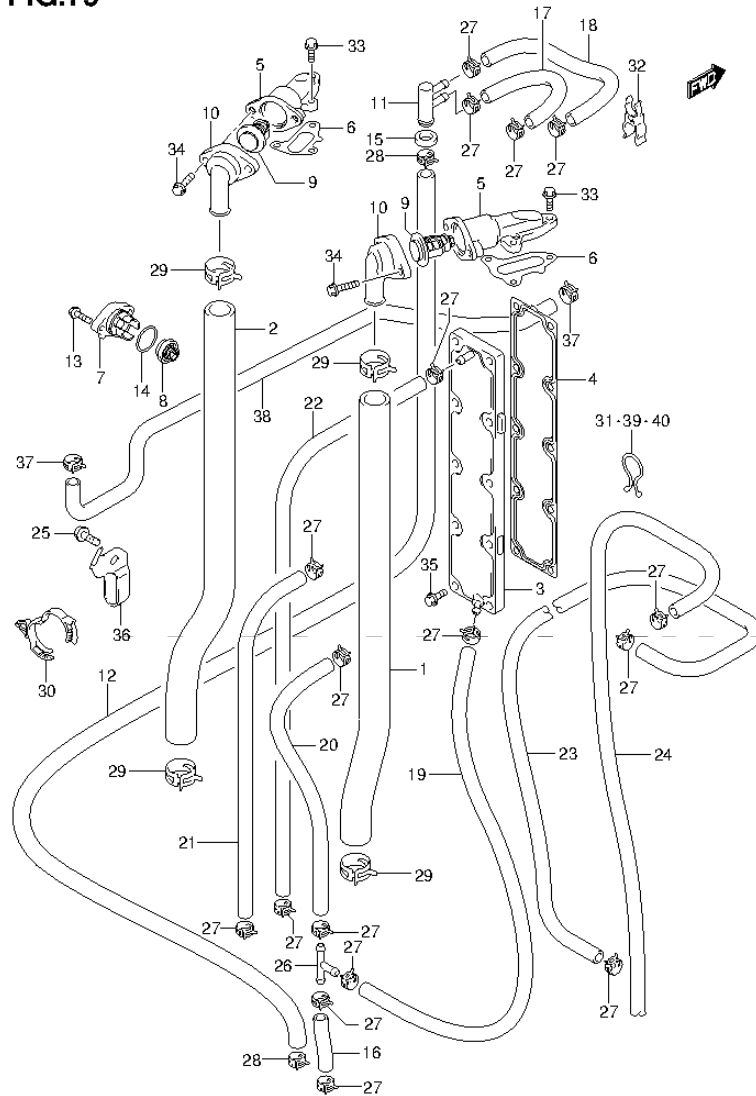


FIG.79 (1-K-2) THERMOSTAT

REF NO.	PART NO.	DESCRIPTION	Q'TY	REMARKS
1	11196-93J00	HOSE, WATER RETURN STBD	1	
2	11197-93J00	HOSE, WATER RETURN PORT	1	
3	11270-93J00	PLATE, CYL BLOCK WTR JKT	1	
4	11272-93J00	GASKET, CYL BLOCK PLATE	1	
5	17581-93J00	PIPE, OUTLET	2	
6	17582-93J00	GASKET, OUTLET PIPE	2	
7	17611-90J00-0EP	COVER, WATER PRESS VALVE (BLACK)	1	
8	17660-99E01	VALVE, WATER PRESSURE	1	
9-1	17670-90J00	THERMOSTAT (60C)	2	
9-2	17670-90J10	THERMOSTAT (71C)	1	OPT
10	17681-93J00	COVER, THERMOSTAT	2	
11	17711-90J00	3 WAY, WATER HOSE	1	
12	17712-93J00	HOSE (3 WAY TO E/H COV)	1	
13	09116-06121	BOLT (6X25)	2	
14	09280-26006	O RING (D:3.1,ID:26.4)	1	
15	09320-12014	CUSHION	1	
16	09352-50903-600	HOSE (5X9X600)	1	L:600->60
17	09352-50903-600	HOSE (5X9X600)	1	L:600->120
18	09352-50903-600	HOSE (5X9X600)	1	L:600->190
19	09352-50903-600	HOSE (5X9X600)	1	L:600->300
20	09352-50903-600	HOSE (5X9X600)	1	L:600->330
21	09352-50903-600	HOSE (5X9X600)	1	
22	09352-50903-600	HOSE (5X9X600)	1	
23	09352-50903-00B	HOSE (5X9X600)	1	L2000->850
24	09352-50903-00B	HOSE (5X9X2000)	1	L:2000->1010
25	01550-08127	BOLT	1	
26	09367-06002	JOINT, 3 WAY	1	
27	09401-08413	CLIP	18	
28	09401-14409	CLIP	2	
29	09401-25406	CLIP	4	
30	09403-25304	CLAMP	1	
31	09408-00008	CLIP (ID:20)	1	
32	09408-00056	CLIP	1	

FIG.79

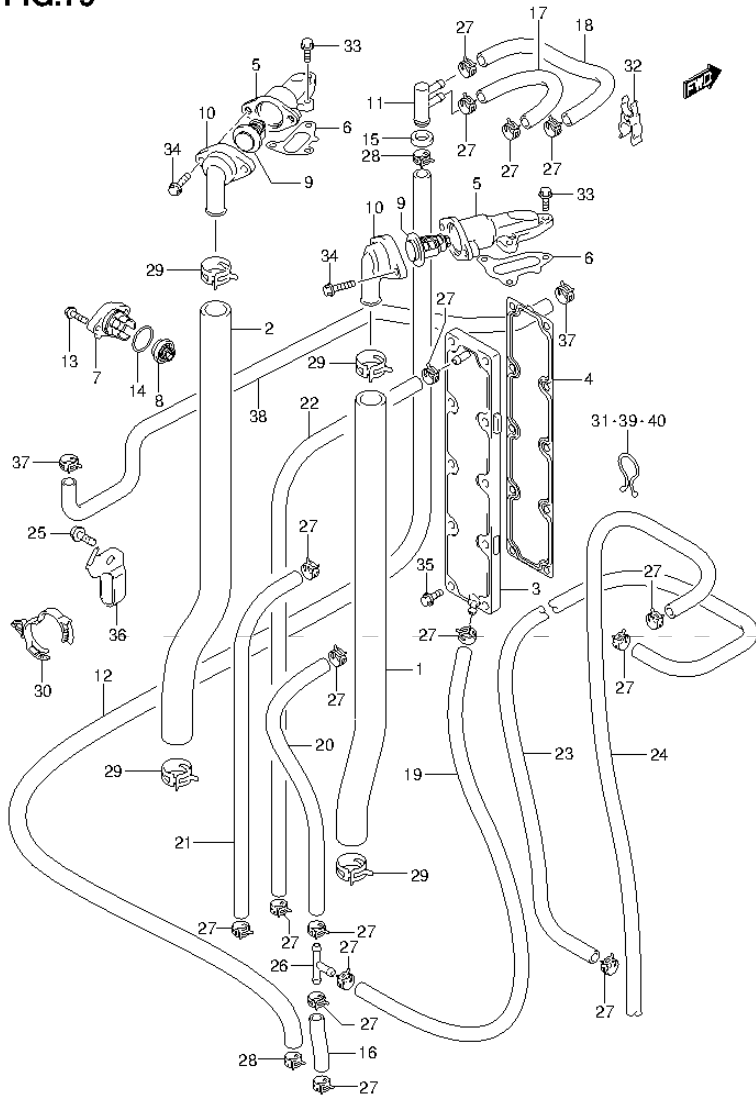


FIG.79 (1-K-3) THERMOSTAT

REF NO.	PART NO.	DESCRIPTION	Q'TY	REMARKS
33	01550-06207	BOLT	6	
34	01550-06207	BOLT	4	
35	01550-06257	BOLT	10	
36	17713-98J00	HOLDER, WATER HOSE	1	
37	09401-15414	CLIP	2	
38	17915-98J01	HOSE, WATER FLUSH	1	
39	09408-00024	CLIP (ID:23)	1	
40	09408-00021	CLIP (ID:16)	1	

FIG.80

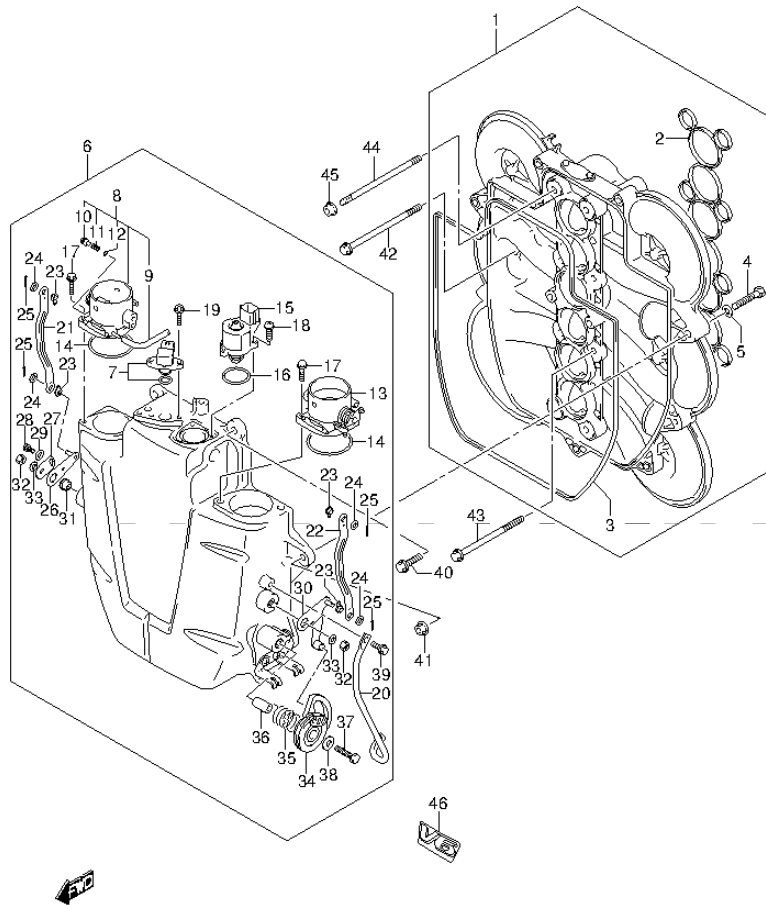


FIG.80 (1-K-4) THROTTLE BODY (DF200T E1)

REF NO.	PART NO.	DESCRIPTION	Q'TY	REMARKS
1	13130-93J30	COLLECTOR	1	
2	13139-93J00	GASKET, COLLECTOR	1	
3	13147-93J00	GASKET, COLLECTOR COVER	1	
4	13138-93J00	BOLT, COLLECTOR	2	
5	08322-01087	WASHER	2	
6	13140-93J13	COVER, COLLECTOR	1	
7	18590-68H00	SENSOR, MAP	1	
8	13310-93J01	BODY ASSY, THROTTLE NO.1	1	
9	13312-93J00	HOSE, BYPASS AIR	1	
10	13279-10G00	SCREW, BYPASS AIR	1	
11	13355-93J00	SPRING, BYPASS AIR	1	
12	13295-10G00	O RING, BYPASS AIR SCREW	1	
13	13320-93J00	BODY ASSY, THROTTLE NO.2	1	
14	13421-93J00	GASKET, THROTTLE BODY	2	
15	18137-93J00	VALVE, IAC	1	
16	09280-29006	O RING (D:2, ID:29.5)	1	
17	01547-06257	BOLT	4	
18	02112-3416B	SCREW	3	
19	02162-0520B	SCREW	2	
20	13144-93J00	GUARD, THROTTLE DRUM	1	
21	13583-93J00	ARM, LINK	1	
22	13583-93J00	ARM, LINK	1	
23	13555-93J00	GROMMET, LINK	4	
24	13537-93J00	WASHER, LINK	4	
25	09204-01004	PIN	4	
26	13553-93J00	LEVER, NO.1	1	
27	13554-93J00	LEVER, NO.2	1	
28	02112-35087	SCREW	1	
29	09160-05043	WASHER (5.5X16X1.2)	1	
30	13521-93J00	LEVER, LINK	1	
31	13514-93J00	SPACER, LINK SHAFT	1	
32	13599-93J00	NUT, LINK SHAFT	2	
33	13538-93J00	WASHER, LINK SHAFT SPRING	2	
34	13541-93J00	CAM THROTTLE	1	

FIG.80

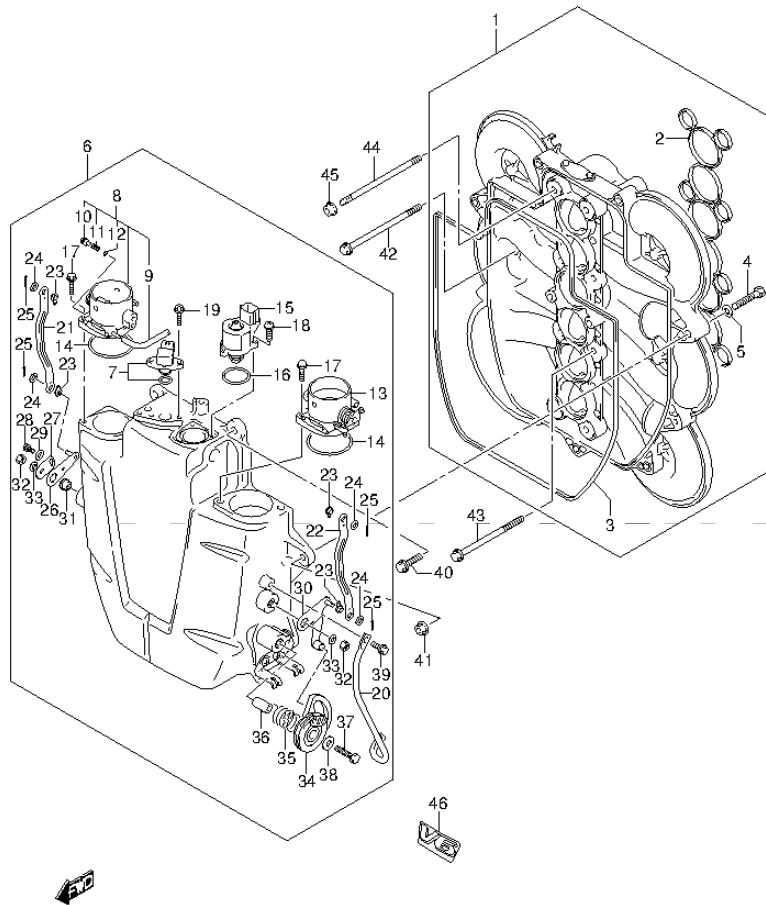


FIG.80 (1-K-5) THROTTLE BODY (DF200T E1)

REF NO.	PART NO.	DESCRIPTION	Q'TY	REMARKS
35	13542-93J00	SPRING, THROTTLE CAM	1	
36	13543-93J00	SPACER, THROTTLE CAM	1	
37	01500-06307	BOLT	1	
38	09160-06036	WASHER (6.5X18X1.5)	1	
39	01550-06167	BOLT	2	
40	01550-08307	BOLT	7	
41	08316-10087	NUT	2	
42	09103-08182	BOLT (8X125)	2	
43	09103-08134	BOLT (8X110)	4	
44	09108-08267	STUD BOLT	2	
45	08316-1008A	NUT	2	
46	61436-93J00	MARK, EMBLEM V6	1	

FIG.81

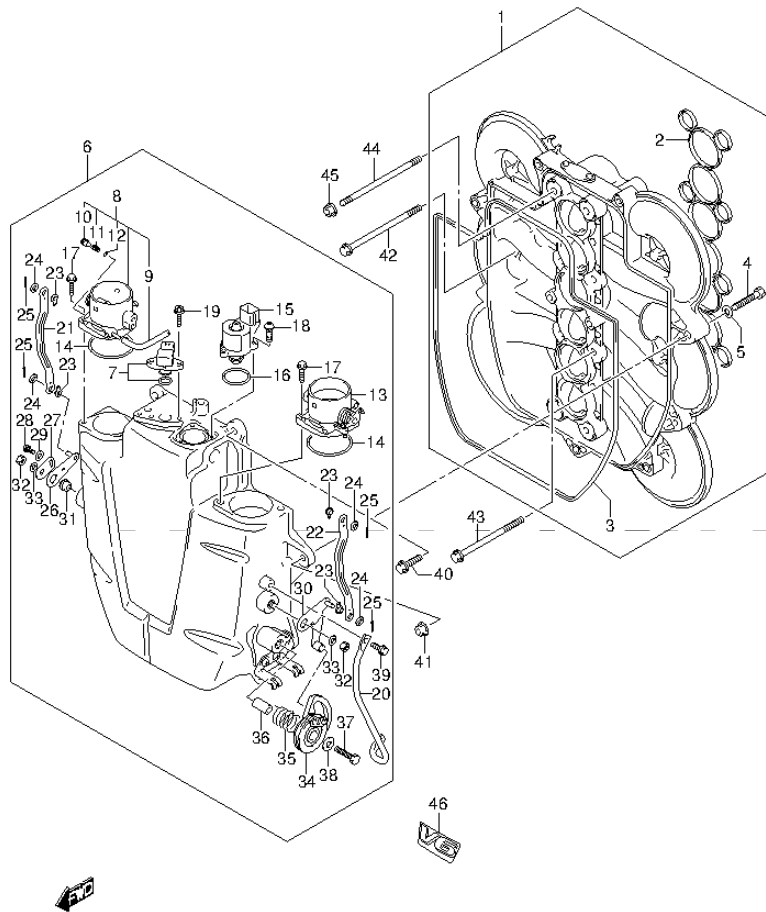


FIG.81 (1-K-6) THROTTLE BODY (DF200T E40)

REF NO.	PART NO.	DESCRIPTION	Q'TY	REMARKS
1	13130-93J30	COLLECTOR	1	
2	13139-93J00	GASKET, COLLECTOR	1	
3	13147-93J00	GASKET, COLLECTOR COVER	1	
4	13138-93J00	BOLT, COLLECTOR	2	
5	08322-01087	WASHER	2	
6	13140-93J13	COVER, COLLECTOR	1	
7	18590-68H00	SENSOR, MAP	1	
8	13310-93J01	BODY ASSY, THROTTLE NO.1	1	
9	13312-93J00	HOSE, BYPASS AIR	1	
10	13279-10G00	SCREW, BYPASS AIR	1	
11	13355-93J00	SPRING, BYPASS AIR	1	
12	13295-10G00	O RING, BYPASS AIR SCREW	1	
13	13320-93J00	BODY ASSY, THROTTLE NO.2	1	
14	13421-93J00	GASKET, THROTTLE BODY	2	
15	18137-93J00	VALVE, IAC	1	
16	09280-29006	O RING (D:2,ID:29.5)	1	
17	01547-06257	BOLT	4	
18	02112-3416B	SCREW	3	
19	02162-0520B	SCREW	2	
20	13144-93J00	GUARD, THROTTLE DRUM	1	
21	13583-93J00	ARM, LINK	1	
22	13583-93J00	ARM, LINK	1	
23	13555-93J00	GROMMET, LINK	4	
24	13537-93J00	WASHER, LINK	4	
25	09204-01004	PIN	4	
26	13553-93J00	LEVER, NO.1	1	
27	13554-93J00	LEVER, NO.2	1	
28	02112-35087	SCREW	1	
29	09160-05043	WASHER (5.5X16X1.2)	1	
30	13521-93J00	LEVER, LINK	1	
31	13514-93J00	SPACER, LINK SHAFT	1	
32	13599-93J00	NUT, LINK SHAFT	2	
33	13538-93J00	WASHER, LINK SHAFT SPRING	2	
34	13541-93J00	CAM THROTTLE	1	

FIG.81

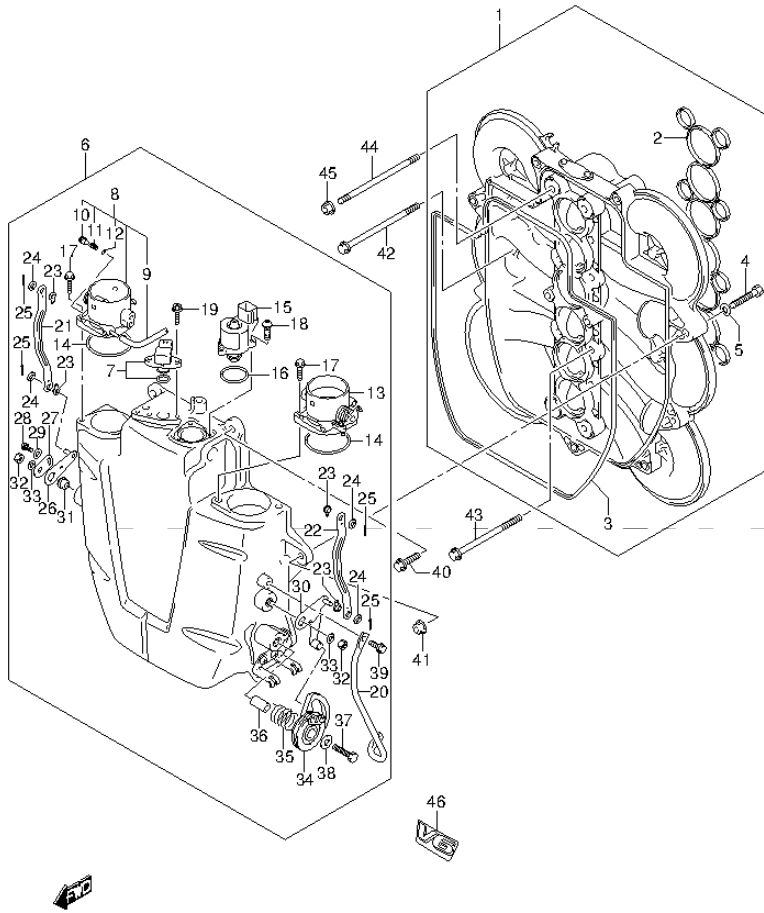


FIG.81 (1-K-7) THROTTLE BODY (DF200T E40)

REF NO.	PART NO.	DESCRIPTION	Q'TY	REMARKS
35	13542-93J00	SPRING, THROTTLE CAM	1	
36	13543-93J00	SPACER, THROTTLE CAM	1	
37	01500-06307	BOLT	1	
38	09160-06036	WASHER (6.5X18X1.5)	1	
39	01550-06167	BOLT	2	
40	01550-08307	BOLT	7	
41	08316-10087	NUT	2	
42	09103-08182	BOLT (8X125)	2	
43	09103-08134	BOLT (8X110)	4	
44	09108-08267	STUD BOLT	2	
45	08316-1008A	NUT	2	
46	61436-93J00	MARK, EMBLEM V6	1	

FIG.82

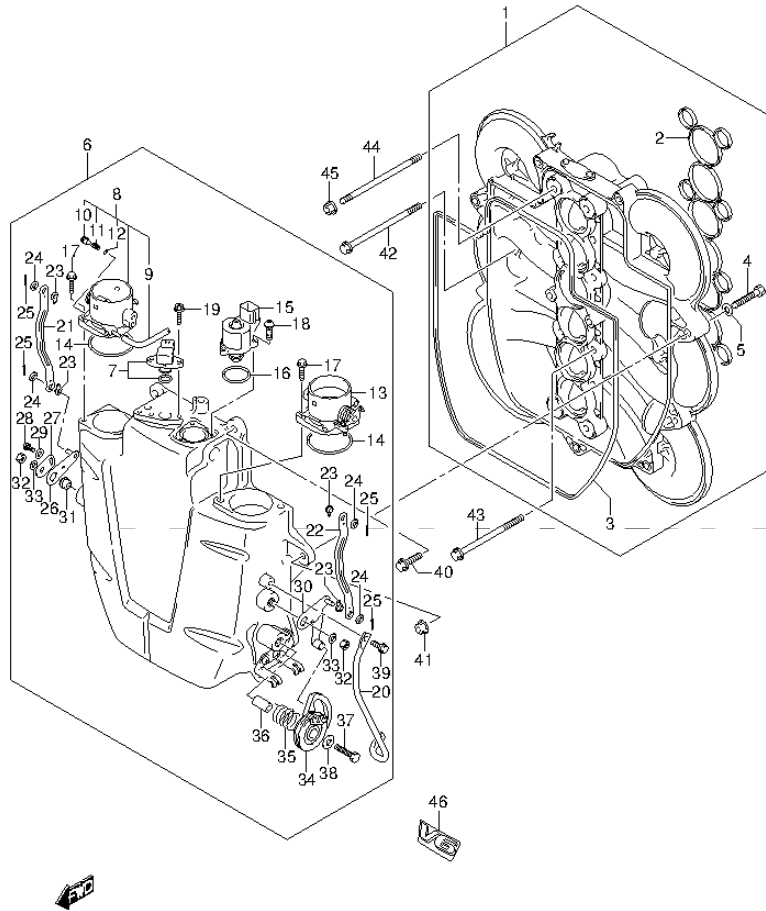
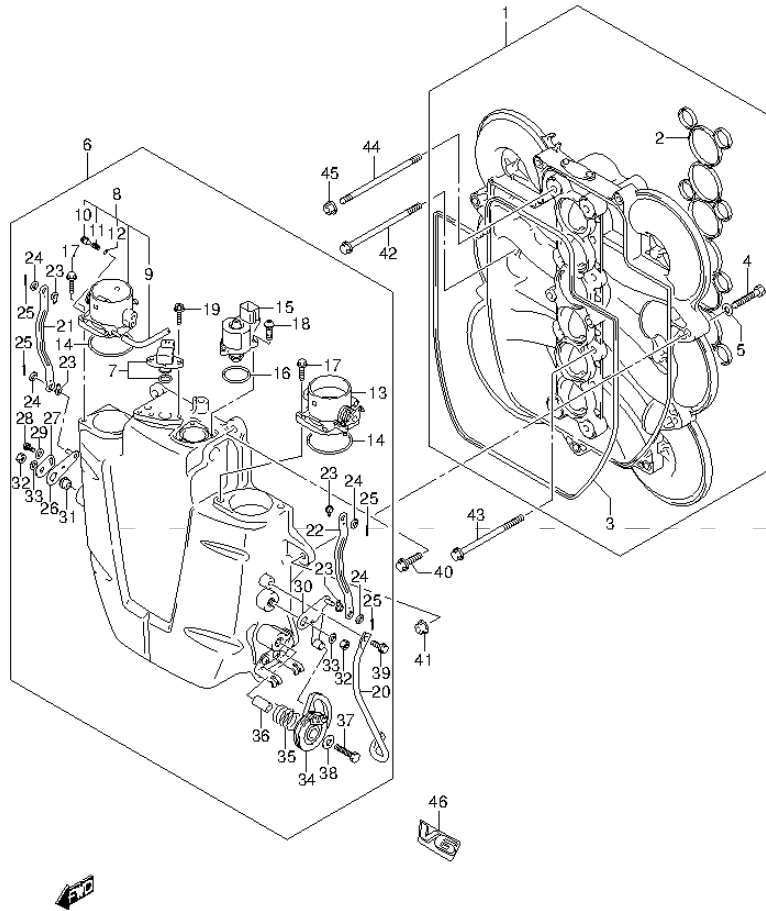


FIG.82 (1-K-8) THROTTLE BODY (DF200Z E1)

REF NO.	PART NO.	DESCRIPTION	Q'TY	REMARKS
1	13130-93J30	COLLECTOR	1	
2	13139-93J00	GASKET, COLLECTOR	1	
3	13147-93J00	GASKET, COLLECTOR COVER	1	
4	13138-93J00	BOLT, COLLECTOR	2	
5	08322-01087	WASHER	2	
6	13140-93J13	COVER, COLLECTOR	1	
7	18590-68H00	SENSOR, MAP	1	
8	13310-93J01	BODY ASSY, THROTTLE NO.1	1	
9	13312-93J00	HOSE, BYPASS AIR	1	
10	13279-10G00	SCREW, BYPASS AIR	1	
11	13355-93J00	SPRING, BYPASS AIR	1	
12	13295-10G00	O RING, BYPASS AIR SCREW	1	
13	13320-93J00	BODY ASSY, THROTTLE NO.2	1	
14	13421-93J00	GASKET, THROTTLE BODY	2	
15	18137-93J00	VALVE, IAC	1	
16	09280-29006	O RING (D:2,ID:29.5)	1	
17	01547-06257	BOLT	4	
18	02112-3416B	SCREW	3	
19	02162-0520B	SCREW	2	
20	13144-93J00	GUARD, THROTTLE DRUM	1	
21	13583-93J00	ARM, LINK	1	
22	13583-93J00	ARM, LINK	1	
23	13555-93J00	GROMMET, LINK	4	
24	13537-93J00	WASHER, LINK	4	
25	09204-01004	PIN	4	
26	13553-93J00	LEVER, NO.1	1	
27	13554-93J00	LEVER, NO.2	1	
28	02112-35087	SCREW	1	
29	09160-05043	WASHER (5.5X16X1.2)	1	
30	13521-93J00	LEVER, LINK	1	
31	13514-93J00	SPACER, LINK SHAFT	1	
32	13599-93J00	NUT, LINK SHAFT	2	
33	13538-93J00	WASHER, LINK SHAFT SPRING	2	
34	13541-93J00	CAM THROTTLE	1	

FIG.82

FIG.82 (1-K-9) THROTTLE BODY (DF200Z E1)



REF NO.	PART NO.	DESCRIPTION	Q'TY	REMARKS
35	13542-93J00	SPRING, THROTTLE CAM	1	
36	13543-93J00	SPACER, THROTTLE CAM	1	
37	01500-06307	BOLT	1	
38	09160-06036	WASHER (6.5X18X1.5)	1	
39	01550-06167	BOLT	2	
40	01550-08307	BOLT	7	
41	08316-10087	NUT	2	
42	09103-08182	BOLT (8X125)	2	
43	09103-08134	BOLT (8X110)	4	
44	09108-08267	STUD BOLT	2	
45	08316-1008A	NUT	2	
46	61436-93J00	MARK, EMBLEM V6	1	

FIG.83

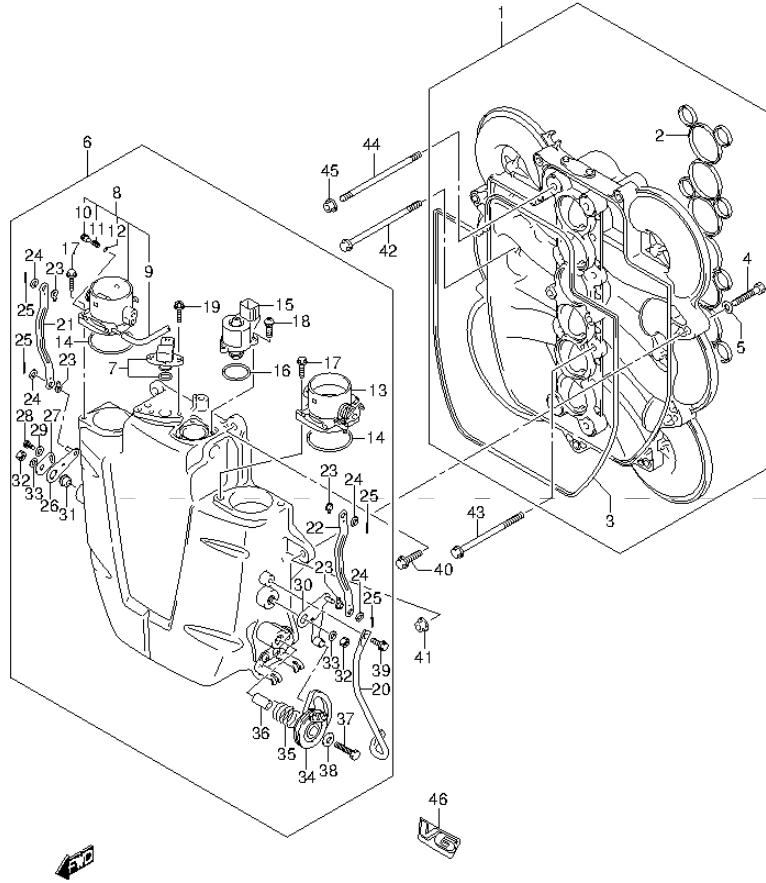


FIG.83 (1-K-10) THROTTLE BODY (DF200Z E40)

REF NO.	PART NO.	DESCRIPTION	Q'TY	REMARKS
1	13130-93J30	COLLECTOR	1	
2	13139-93J00	GASKET, COLLECTOR	1	
3	13147-93J00	GASKET, COLLECTOR COVER	1	
4	13138-93J00	BOLT, COLLECTOR	2	
5	08322-01087	WASHER	2	
6	13140-93J13	COVER, COLLECTOR	1	
7	18590-68H00	SENSOR, MAP	1	
8	13310-93J01	BODY ASSY, THROTTLE NO.1	1	
9	13312-93J00	HOSE, BYPASS AIR	1	
10	13279-10G00	SCREW, BYPASS AIR	1	
11	13355-93J00	SPRING, BYPASS AIR	1	
12	13295-10G00	O RING, BYPASS AIR SCREW	1	
13	13320-93J00	BODY ASSY, THROTTLE NO.2	1	
14	13421-93J00	GASKET, THROTTLE BODY	2	
15	18137-93J00	VALVE, IAC	1	
16	09280-29006	O RING (D:2.ID:29.5)	1	
17	01547-06257	BOLT	4	
18	02112-3416B	SCREW	3	
19	02162-0520B	SCREW	2	
20	13144-93J00	GUARD, THROTTLE DRUM	1	
21	13583-93J00	ARM, LINK	1	
22	13583-93J00	ARM, LINK	1	
23	13555-93J00	GROMMET, LINK	4	
24	13537-93J00	WASHER, LINK	4	
25	09204-01004	PIN	4	
26	13553-93J00	LEVER, NO.1	1	
27	13554-93J00	LEVER, NO.2	1	
28	02112-35087	SCREW	1	
29	09160-05043	WASHER (5.5X16X1.2)	1	
30	13521-93J00	LEVER, LINK	1	
31	13514-93J00	SPACER, LINK SHAFT	1	
32	13599-93J00	NUT, LINK SHAFT	2	
33	13538-93J00	WASHER, LINK SHAFT SPRING	2	
34	13541-93J00	CAM THROTTLE	1	

FIG.83

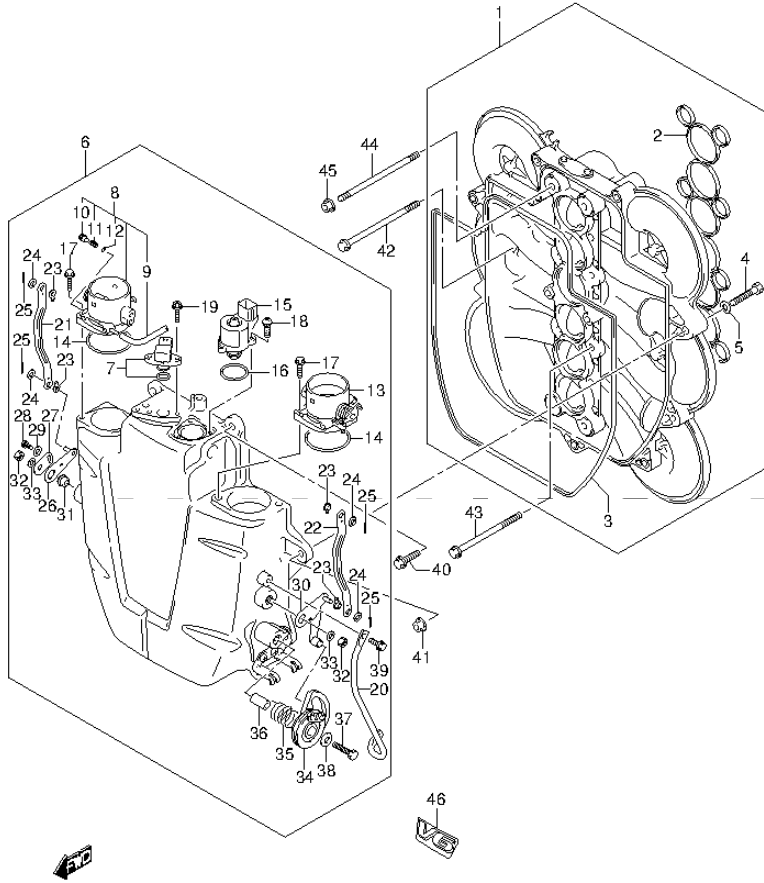


FIG.83 (1-K-11) THROTTLE BODY (DF200Z E40)

REF NO.	PART NO.	DESCRIPTION	Q'TY	REMARKS
35	13542-93J00	SPRING, THROTTLE CAM	1	
36	13543-93J00	SPACER, THROTTLE CAM	1	
37	01500-06307	BOLT	1	
38	09160-06036	WASHER (6.5X18X1.5)	1	
39	01550-06167	BOLT	2	
40	01550-08307	BOLT	7	
41	08316-10087	NUT	2	
42	09103-08182	BOLT (8X125)	2	
43	09103-08134	BOLT (8X110)	4	
44	09108-08267	STUD BOLT	2	
45	08316-1008A	NUT	2	
46	61436-93J00	MARK, EMBLEM V6	1	

FIG.84

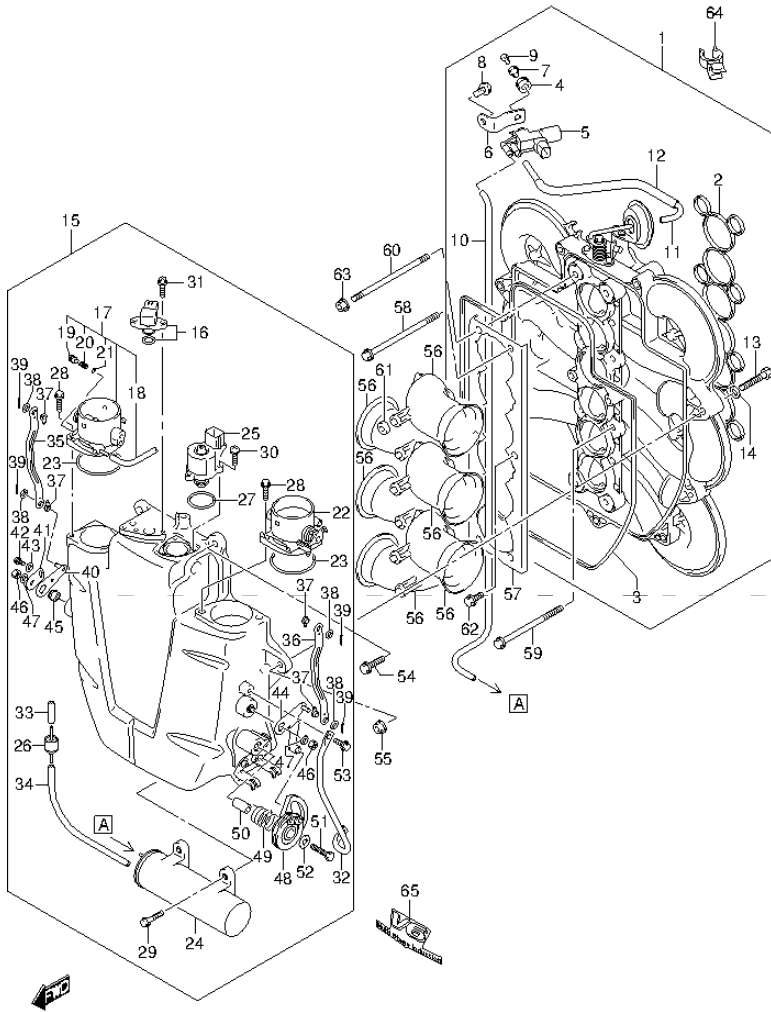


FIG.84 (1-K-12) THROTTLE BODY (DF225T E1)

REF NO.	PART NO.	DESCRIPTION	Q'TY	REMARKS
1	13130-93J21	COLLECTOR	1	
2	13139-93J00	GASKET, COLLECTOR	1	
3	13147-93J00	GASKET, COLLECTOR COVER	1	
4	18116-93J00	CUSHION, VACUUM VALVE	1	
5	18117-93J00	VALVE, VACUUM SWITCHING	1	
6	18119-93J00	BRACKET, VACUUM VALVE	1	
7	09169-05018	WASHER	1	
8	01550-08167	BOLT	1	
9	02112-0512A	SCREW	1	
10	09355-35754-00B	HOSE (3.5X7.5X2000)	1	L:2000->610
11	09355-35754-601	HOSE (3.5X7.5X601)	1	L:601->160
12	18498-90J00	PROTECTOR	1	L:290->140
13	13138-93J00	BOLT, COLLECTOR	2	
14	08322-01087	WASHER	2	
15	13140-93J03	COVER, COLLECTOR	1	
16	18590-68H00	SENSOR, MAP	1	
17	13310-93J01	BODY ASSY, THROTTLE NO.1	1	
18	13312-93J00	HOSE, BYPASS AIR	1	
19	13279-10G00	SCREW, BYPASS AIR	1	
20	13355-93J00	SPRING, BYPASS AIR	1	
21	13295-10G00	O RING, BYPASS AIR SCREW	1	
22	13320-93J00	BODY ASSY, THROTTLE NO.2	1	
23	13421-93J00	GASKET, THROTTLE BODY	2	
24	13730-93J00	CHAMBER, VACUUM	1	
25	18137-93J00	VALVE, IAC	1	
26	95569-78040	VALVE, CHECK	1	
27	09280-29006	O RING (D.2, ID.29.5)	1	
28	01547-06257	BOLT	4	
29	01550-06307	BOLT	2	
30	02112-3416B	SCREW	3	
31	02162-0520B	SCREW	2	
32	13144-93J00	GUARD, THROTTLE DRUM	1	
33	09355-35754-601	HOSE (3.5X7.5X601)	1	L:601->30
34	09355-35754-601	HOSE (3.5X7.5X601)	1	L:601->165

FIG.84

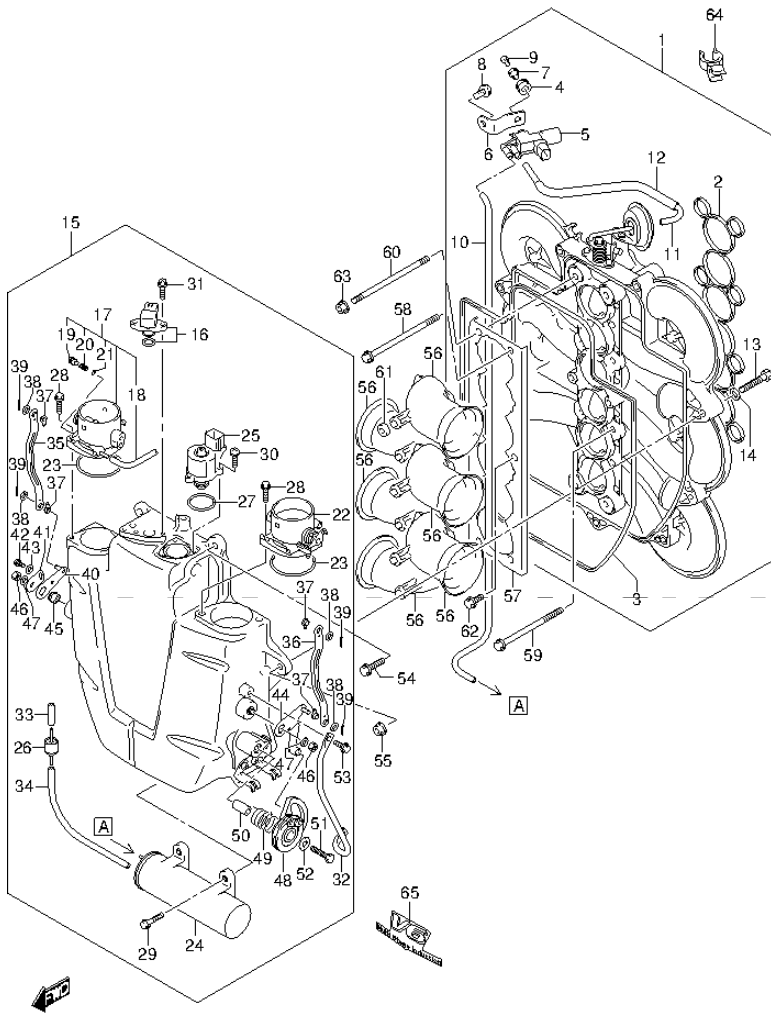


FIG.84 (1-K-13) THROTTLE BODY (DF225T E1)

REF NO.	PART NO.	DESCRIPTION	Q'TY	REMARKS
35	13583-93J00	ARM, LINK	1	
36	13583-93J00	ARM, LINK	1	
37	13555-93J00	GROMMET, LINK	4	
38	13537-93J00	WASHER, LINK	4	
39	09204-01004	PIN	4	
40	13553-93J00	LEVER, NO.1	1	
41	13554-93J00	LEVER, NO.2	1	
42	02112-35087	SCREW	1	
43	09160-05043	WASHER (5.5X16X1.2)	1	
44	13521-93J00	LEVER, LINK	1	
45	13514-93J00	SPACER, LINK SHAFT	1	
46	13599-93J00	NUT, LINK SHAFT	2	
47	13538-93J00	WASHER, LINK SHAFT SPRING	2	
48	13541-93J00	CAM THROTTLE	1	
49	13542-93J00	SPRING, THROTTLE CAM	1	
50	13543-93J00	SPACER, THROTTLE CAM	1	
51	01500-06307	BOLT	1	
52	09160-06036	WASHER (6.5X18X1.5)	1	
53	01550-06167	BOLT	2	
54	01550-08307	BOLT	7	
55	08316-10087	NUT	2	
56	13132-93J00	FUNNEL, COLLECTOR	6	
57	13133-93J00	BRACKET, COLLECTOR FUNNEL	1	
58	09103-08182	BOLT (8X125)	2	
59	09103-08134	BOLT (8X110)	4	
60	09108-08267	STUD BOLT	2	
61	09329-06002	CUSHION	6	
62	01550-0820A	BOLT	2	
63	08316-1008A	NUT	2	
64	09408-00060	CLIP	1	
65	61436-93J10	MARK, EMBLEM V6 (MSI)	1	

FIG.85

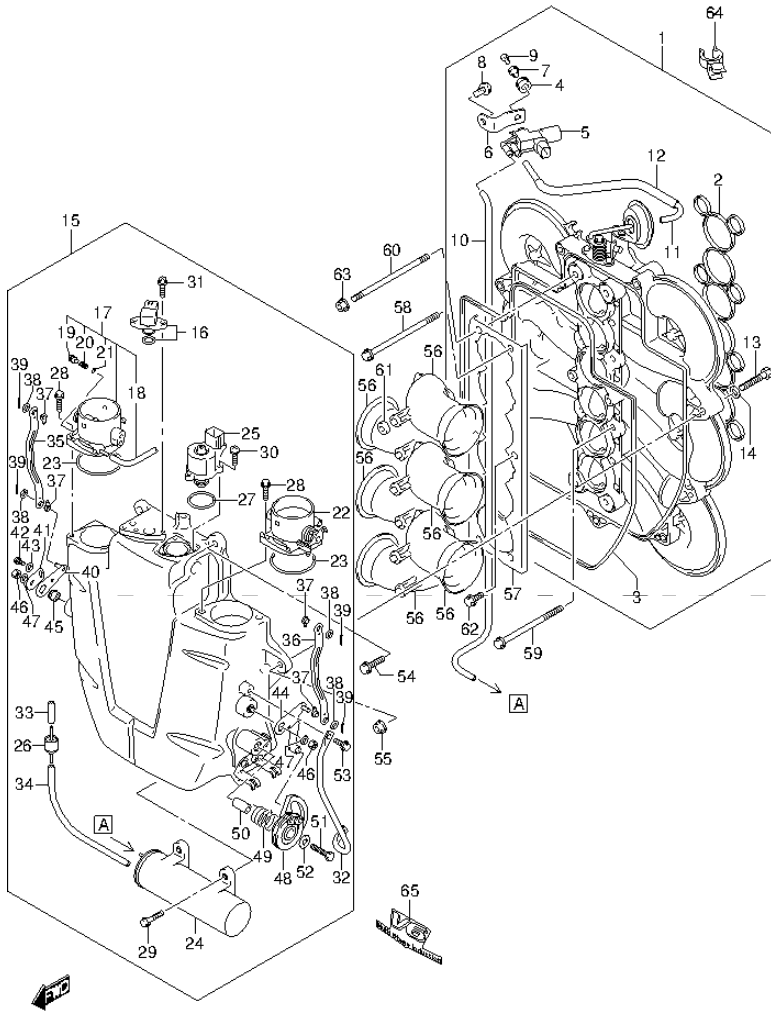


FIG.85 (1-K-14) THROTTLE BODY (DF225T E40)

REF NO.	PART NO.	DESCRIPTION	Q'TY	REMARKS
1	13130-93J21	COLLECTOR	1	
2	13139-93J00	GASKET, COLLECTOR	1	
3	13147-93J00	GASKET, COLLECTOR COVER	1	
4	18116-93J00	CUSHION, VACUUM VALVE	1	
5	18117-93J00	VALVE, VACUUM SWITCHING	1	
6	18119-93J00	BRACKET, VACUUM VALVE	1	
7	09169-05018	WASHER	1	
8	01550-08167	BOLT	1	
9	02112-0512A	SCREW	1	
10	09355-35754-00B	HOSE (3.5X7.5X2000)	1	L:2000->610
11	09355-35754-601	HOSE (3.5X7.5X601)	1	L:601->160
12	18498-90J00	PROTECTOR	1	L:290->140
13	13138-93J00	BOLT, COLLECTOR	2	
14	08322-01087	WASHER	2	
15	13140-93J03	COVER, COLLECTOR	1	
16	18590-68H00	SENSOR, MAP	1	
17	13310-93J01	BODY ASSY, THROTTLE NO.1	1	
18	13312-93J00	HOSE, BYPASS AIR	1	
19	13279-10G00	SCREW, BYPASS AIR	1	
20	13355-93J00	SPRING, BYPASS AIR	1	
21	13295-10G00	O RING, BYPASS AIR SCREW	1	
22	13320-93J00	BODY ASSY, THROTTLE NO.2	1	
23	13421-93J00	GASKET, THROTTLE BODY	2	
24	13730-93J00	CHAMBER, VACUUM	1	
25	18137-93J00	VALVE, IAC	1	
26	95569-78040	VALVE, CHECK	1	
27	09280-29006	O RING (D.2, ID.29.5)	1	
28	01547-06257	BOLT	4	
29	01550-06307	BOLT	2	
30	02112-3416B	SCREW	3	
31	02162-0520B	SCREW	2	
32	13144-93J00	GUARD, THROTTLE DRUM	1	
33	09355-35754-601	HOSE (3.5X7.5X601)	1	L:601->30
34	09355-35754-601	HOSE (3.5X7.5X601)	1	L:601->165

FIG.85

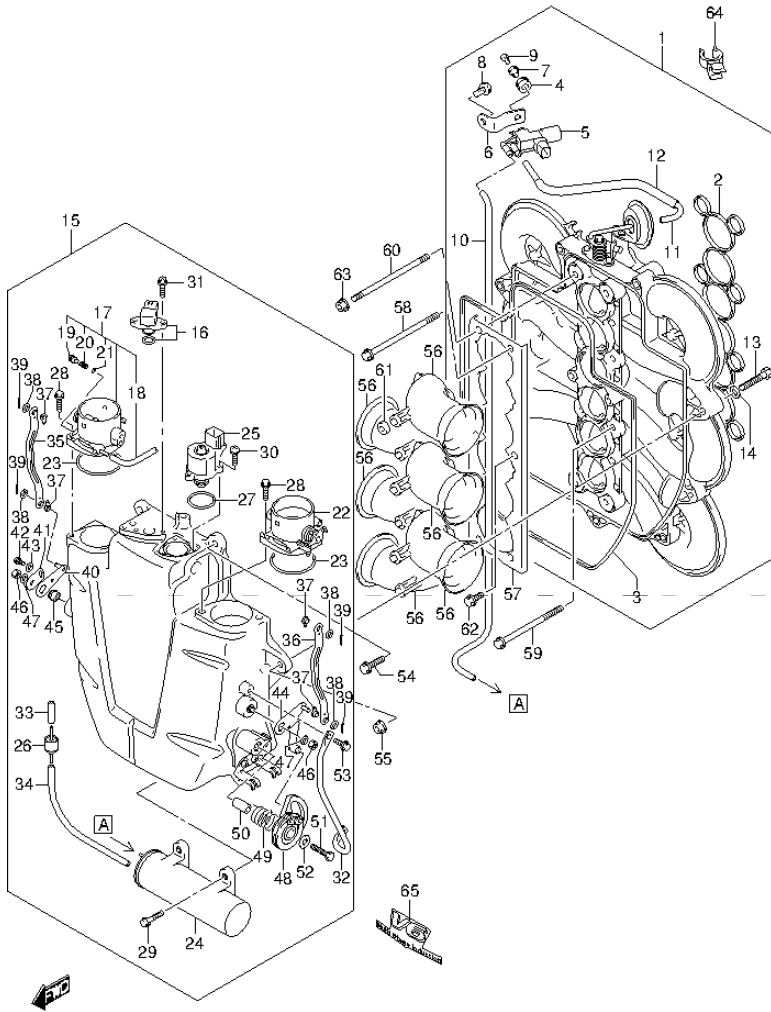


FIG.85 (1-K-15) THROTTLE BODY (DF225T E40)

REF NO.	PART NO.	DESCRIPTION	Q'TY	REMARKS
35	13583-93J00	ARM, LINK	1	
36	13583-93J00	ARM, LINK	1	
37	13555-93J00	GROMMET, LINK	4	
38	13537-93J00	WASHER, LINK	4	
39	09204-01004	PIN	4	
40	13553-93J00	LEVER, NO.1	1	
41	13554-93J00	LEVER, NO.2	1	
42	02112-35087	SCREW	1	
43	09160-05043	WASHER (5.5X16X1.2)	1	
44	13521-93J00	LEVER, LINK	1	
45	13514-93J00	SPACER, LINK SHAFT	1	
46	13599-93J00	NUT, LINK SHAFT	2	
47	13538-93J00	WASHER, LINK SHAFT SPRING	2	
48	13541-93J00	CAM THROTTLE	1	
49	13542-93J00	SPRING, THROTTLE CAM	1	
50	13543-93J00	SPACER, THROTTLE CAM	1	
51	01500-06307	BOLT	1	
52	09160-06036	WASHER (6.5X18X1.5)	1	
53	01550-06167	BOLT	2	
54	01550-08307	BOLT	7	
55	08316-10087	NUT	2	
56	13132-93J00	FUNNEL, COLLECTOR	6	
57	13133-93J00	BRACKET, COLLECTOR FUNNEL	1	
58	09103-08182	BOLT (8X125)	2	
59	09103-08134	BOLT (8X110)	4	
60	09108-08267	STUD BOLT	2	
61	09329-06002	CUSHION	6	
62	01550-0820A	BOLT	2	
63	08316-1008A	NUT	2	
64	09408-00060	CLIP	1	
65	61436-93J10	MARK, EMBLEM V6 (MSI)	1	

FIG.86

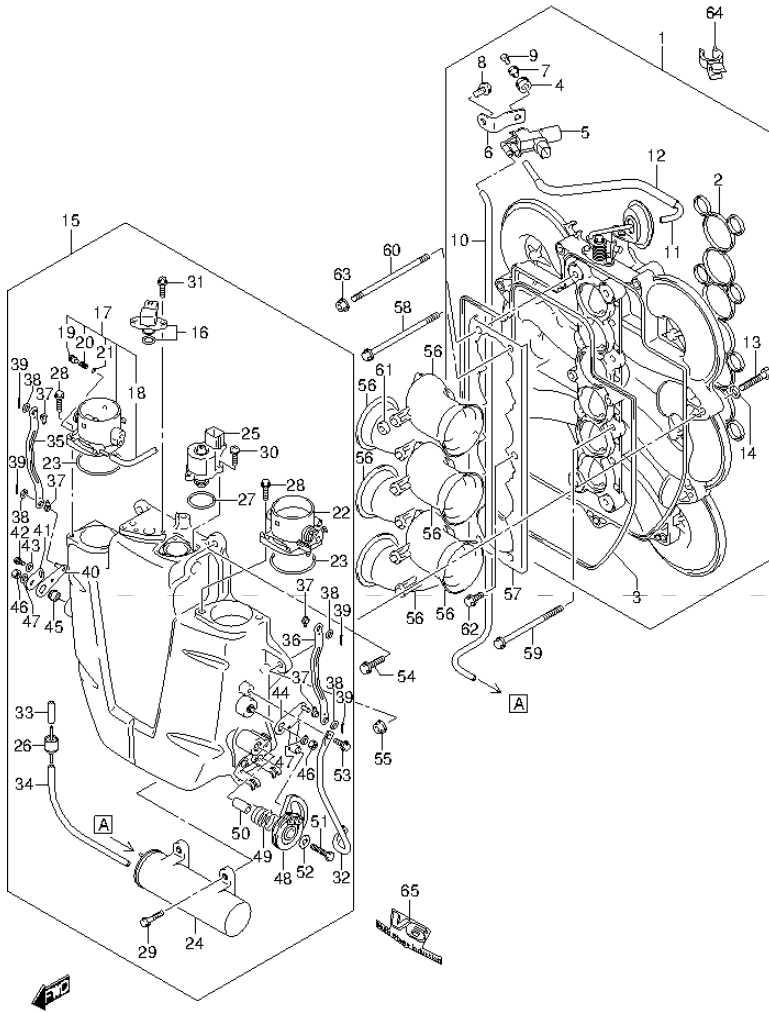


FIG.86 (1-L-2) THROTTLE BODY (DF225Z E1)

REF NO.	PART NO.	DESCRIPTION	Q'TY	REMARKS
1	13130-93J21	COLLECTOR	1	
2	13139-93J00	GASKET, COLLECTOR	1	
3	13147-93J00	GASKET, COLLECTOR COVER	1	
4	18116-93J00	CUSHION, VACUUM VALVE	1	
5	18117-93J00	VALVE, VACUUM SWITCHING	1	
6	18119-93J00	BRACKET, VACUUM VALVE	1	
7	09169-05018	WASHER	1	
8	01550-08167	BOLT	1	
9	02112-0512A	SCREW	1	
10	09355-35754-00B	HOSE (3.5X7.5X2000)	1	L:2000->610
11	09355-35754-601	HOSE (3.5X7.5X601)	1	L:601->160
12	18498-90J00	PROTECTOR	1	L:290->140
13	13138-93J00	BOLT, COLLECTOR	2	
14	08322-01087	WASHER	2	
15	13140-93J03	COVER, COLLECTOR	1	
16	18590-68H00	SENSOR, MAP	1	
17	13310-93J01	BODY ASSY, THROTTLE NO.1	1	
18	13312-93J00	HOSE, BYPASS AIR	1	
19	13279-10G00	SCREW, BYPASS AIR	1	
20	13355-93J00	SPRING, BYPASS AIR	1	
21	13295-10G00	O RING, BYPASS AIR SCREW	1	
22	13320-93J00	BODY ASSY, THROTTLE NO.2	1	
23	13421-93J00	GASKET, THROTTLE BODY	2	
24	13730-93J00	CHAMBER, VACUUM	1	
25	18137-93J00	VALVE, IAC	1	
26	95569-78040	VALVE, CHECK	1	
27	09280-29006	O RING (D.2, ID.29.5)	1	
28	01547-06257	BOLT	4	
29	01550-06307	BOLT	2	
30	02112-3416B	SCREW	3	
31	02162-0520B	SCREW	2	
32	13144-93J00	GUARD, THROTTLE DRUM	1	
33	09355-35754-601	HOSE (3.5X7.5X601)	1	L:601->30
34	09355-35754-601	HOSE (3.5X7.5X601)	1	L:601->165

FIG.86

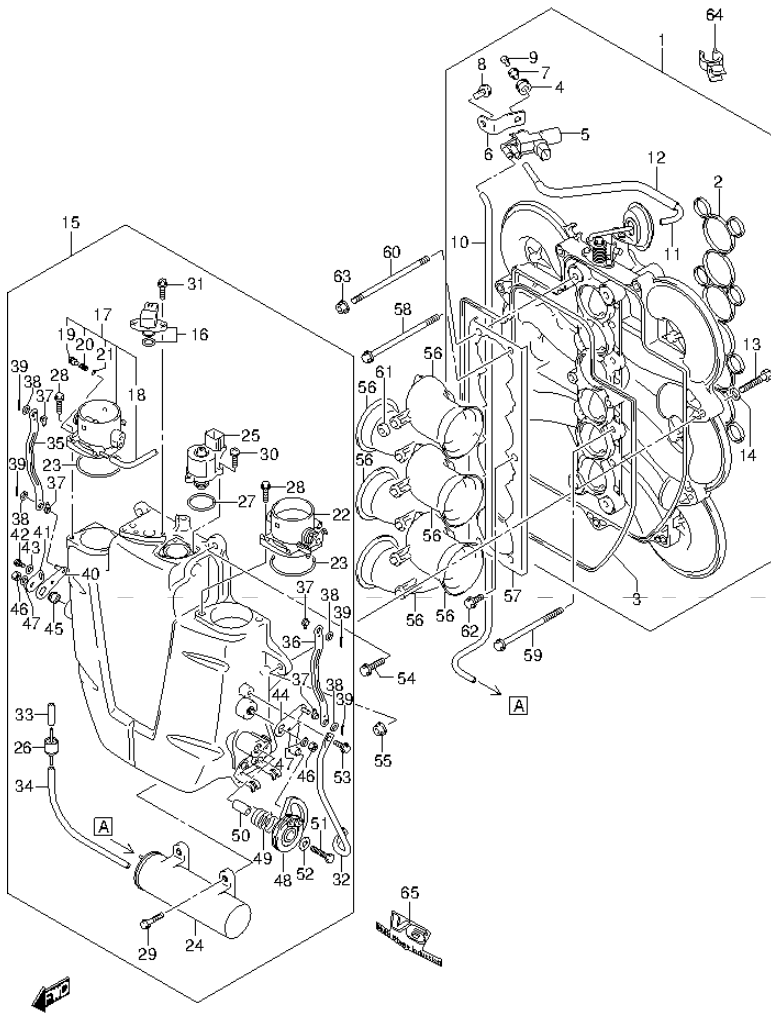


FIG.86 (1-L-3) THROTTLE BODY (DF225Z E1)

REF NO.	PART NO.	DESCRIPTION	Q'TY	REMARKS
35	13583-93J00	ARM, LINK	1	
36	13583-93J00	ARM, LINK	1	
37	13555-93J00	GROMMET, LINK	4	
38	13537-93J00	WASHER, LINK	4	
39	09204-01004	PIN	4	
40	13553-93J00	LEVER, NO.1	1	
41	13554-93J00	LEVER, NO.2	1	
42	02112-35087	SCREW	1	
43	09160-05043	WASHER (5.5X16X1.2)	1	
44	13521-93J00	LEVER, LINK	1	
45	13514-93J00	SPACER, LINK SHAFT	1	
46	13599-93J00	NUT, LINK SHAFT	2	
47	13538-93J00	WASHER, LINK SHAFT SPRING	2	
48	13541-93J00	CAM THROTTLE	1	
49	13542-93J00	SPRING, THROTTLE CAM	1	
50	13543-93J00	SPACER, THROTTLE CAM	1	
51	01500-06307	BOLT	1	
52	09160-06036	WASHER (6.5X18X1.5)	1	
53	01550-06167	BOLT	2	
54	01550-08307	BOLT	7	
55	08316-10087	NUT	2	
56	13132-93J00	FUNNEL, COLLECTOR	6	
57	13133-93J00	BRACKET, COLLECTOR FUNNEL	1	
58	09103-08182	BOLT (8X125)	2	
59	09103-08134	BOLT (8X110)	4	
60	09108-08267	STUD BOLT	2	
61	09329-06002	CUSHION	6	
62	01550-0820A	BOLT	2	
63	08316-1008A	NUT	2	
64	09408-00060	CLIP	1	
65	61436-93J10	MARK, EMBLEM V6 (MSI)	1	

FIG.87

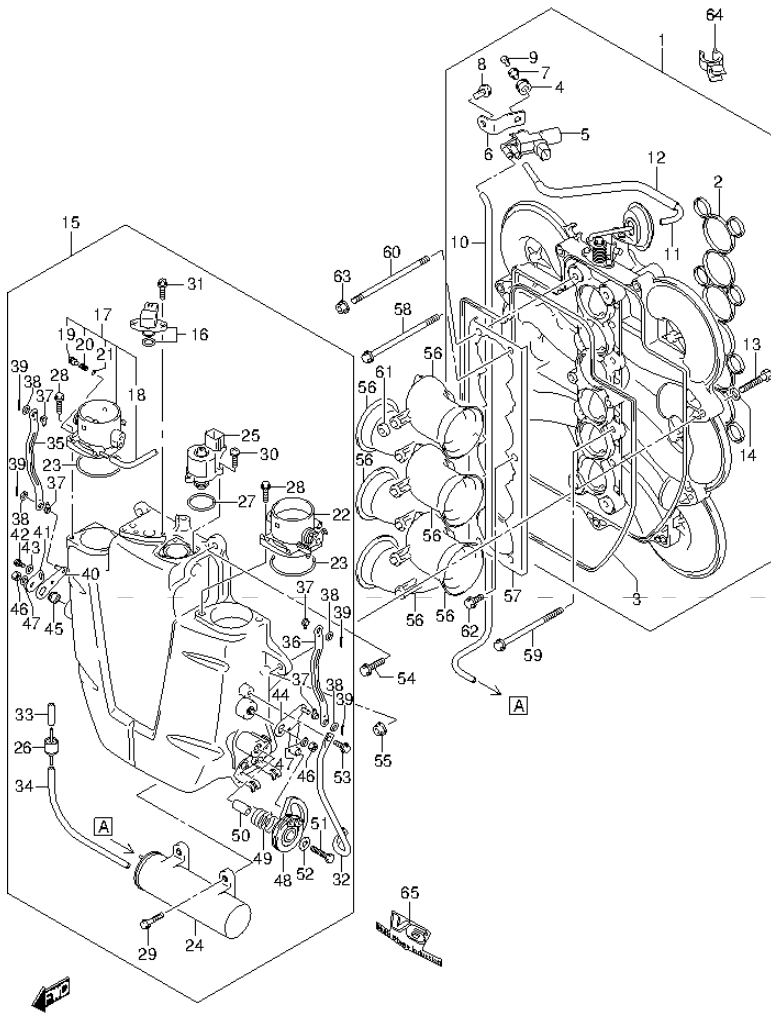


FIG.87 (1-L-4) THROTTLE BODY (DF225Z E40)

REF NO.	PART NO.	DESCRIPTION	Q'TY	REMARKS
1	13130-93J21	COLLECTOR	1	
2	13139-93J00	GASKET, COLLECTOR	1	
3	13147-93J00	GASKET, COLLECTOR COVER	1	
4	18116-93J00	CUSHION, VACUUM VALVE	1	
5	18117-93J00	VALVE, VACUUM SWITCHING	1	
6	18119-93J00	BRACKET, VACUUM VALVE	1	
7	09169-05018	WASHER	1	
8	01550-08167	BOLT	1	
9	02112-0512A	SCREW	1	
10	09355-35754-00B	HOSE (3.5X7.5X2000)	1	L:2000->610
11	09355-35754-601	HOSE (3.5X7.5X601)	1	L:601->160
12	18498-90J00	PROTECTOR	1	L:290->140
13	13138-93J00	BOLT, COLLECTOR	2	
14	08322-01087	WASHER	2	
15	13140-93J03	COVER, COLLECTOR	1	
16	18590-68H00	SENSOR, MAP	1	
17	13310-93J01	BODY ASSY, THROTTLE NO.1	1	
18	13312-93J00	HOSE, BYPASS AIR	1	
19	13279-10G00	SCREW, BYPASS AIR	1	
20	13355-93J00	SPRING, BYPASS AIR	1	
21	13295-10G00	O RING, BYPASS AIR SCREW	1	
22	13320-93J00	BODY ASSY, THROTTLE NO.2	1	
23	13421-93J00	GASKET, THROTTLE BODY	2	
24	13730-93J00	CHAMBER, VACUUM	1	
25	18137-93J00	VALVE, IAC	1	
26	95569-78040	VALVE, CHECK	1	
27	09280-29006	O RING (D.2, ID.29.5)	1	
28	01547-06257	BOLT	4	
29	01550-06307	BOLT	2	
30	02112-3416B	SCREW	3	
31	02162-0520B	SCREW	2	
32	13144-93J00	GUARD, THROTTLE DRUM	1	
33	09355-35754-601	HOSE (3.5X7.5X601)	1	L:601->30
34	09355-35754-601	HOSE (3.5X7.5X601)	1	L:601->165

FIG.87

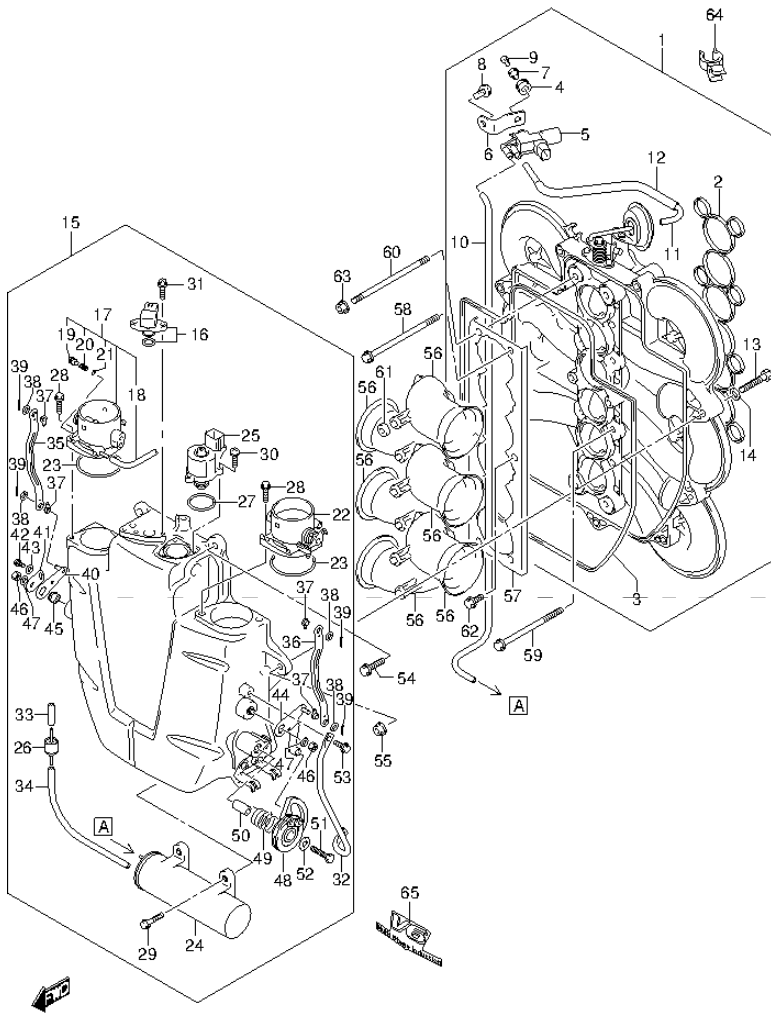


FIG.87 (1-L-5) THROTTLE BODY (DF225Z E40)

REF NO.	PART NO.	DESCRIPTION	Q'TY	REMARKS
35	13583-93J00	ARM, LINK	1	
36	13583-93J00	ARM, LINK	1	
37	13555-93J00	GROMMET, LINK	4	
38	13537-93J00	WASHER, LINK	4	
39	09204-01004	PIN	4	
40	13553-93J00	LEVER, NO.1	1	
41	13554-93J00	LEVER, NO.2	1	
42	02112-35087	SCREW	1	
43	09160-05043	WASHER (5.5X16X1.2)	1	
44	13521-93J00	LEVER, LINK	1	
45	13514-93J00	SPACER, LINK SHAFT	1	
46	13599-93J00	NUT, LINK SHAFT	2	
47	13538-93J00	WASHER, LINK SHAFT SPRING	2	
48	13541-93J00	CAM THROTTLE	1	
49	13542-93J00	SPRING, THROTTLE CAM	1	
50	13543-93J00	SPACER, THROTTLE CAM	1	
51	01500-06307	BOLT	1	
52	09160-06036	WASHER (6.5X18X1.5)	1	
53	01550-06167	BOLT	2	
54	01550-08307	BOLT	7	
55	08316-10087	NUT	2	
56	13132-93J00	FUNNEL, COLLECTOR	6	
57	13133-93J00	BRACKET, COLLECTOR FUNNEL	1	
58	09103-08182	BOLT (8X125)	2	
59	09103-08134	BOLT (8X110)	4	
60	09108-08267	STUD BOLT	2	
61	09329-06002	CUSHION	6	
62	01550-0820A	BOLT	2	
63	08316-1008A	NUT	2	
64	09408-00060	CLIP	1	
65	61436-93J10	MARK, EMBLEM V6 (MSI)	1	

FIG.88

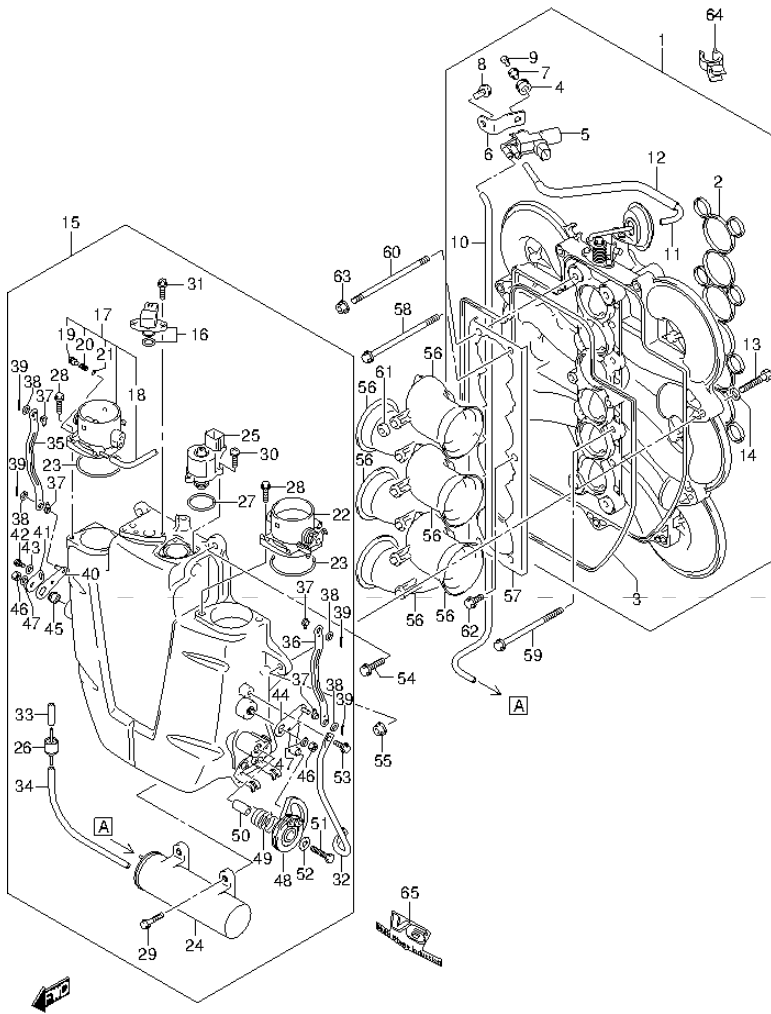


FIG.88 (1-L-6) THROTTLE BODY (DF250T E1)

REF NO.	PART NO.	DESCRIPTION	Q'TY	REMARKS
1	13130-93J21	COLLECTOR	1	
2	13139-93J00	GASKET, COLLECTOR	1	
3	13147-93J00	GASKET, COLLECTOR COVER	1	
4	18116-93J00	CUSHION, VACUUM VALVE	1	
5	18117-93J00	VALVE, VACUUM SWITCHING	1	
6	18119-93J00	BRACKET, VACUUM VALVE	1	
7	09169-05018	WASHER	1	
8	01550-08167	BOLT	1	
9	02112-0512A	SCREW	1	
10	09355-35754-00B	HOSE (3.5X7.5X2000)	1	L:2000->610
11	09355-35754-601	HOSE (3.5X7.5X601)	1	L:601->160
12	18498-90J00	PROTECTOR	1	L:290->140
13	13138-93J00	BOLT, COLLECTOR	2	
14	08322-01087	WASHER	2	
15	13140-93J03	COVER, COLLECTOR	1	
16	18590-68H00	SENSOR, MAP	1	
17	13310-93J01	BODY ASSY, THROTTLE NO.1	1	
18	13312-93J00	HOSE, BYPASS AIR	1	
19	13279-10G00	SCREW, BYPASS AIR	1	
20	13355-93J00	SPRING, BYPASS AIR	1	
21	13295-10G00	O RING, BYPASS AIR SCREW	1	
22	13320-93J00	BODY ASSY, THROTTLE NO.2	1	
23	13421-93J00	GASKET, THROTTLE BODY	2	
24	13730-93J00	CHAMBER, VACUUM	1	
25	18137-93J00	VALVE, IAC	1	
26	95569-78040	VALVE, CHECK	1	
27	09280-29006	O RING (D.2, ID.29.5)	1	
28	01547-06257	BOLT	4	
29	01550-06307	BOLT	2	
30	02112-3416B	SCREW	3	
31	02162-0520B	SCREW	2	
32	13144-93J00	GUARD, THROTTLE DRUM	1	
33	09355-35754-601	HOSE (3.5X7.5X601)	1	L:601->30
34	09355-35754-601	HOSE (3.5X7.5X601)	1	L:601->165

FIG.88

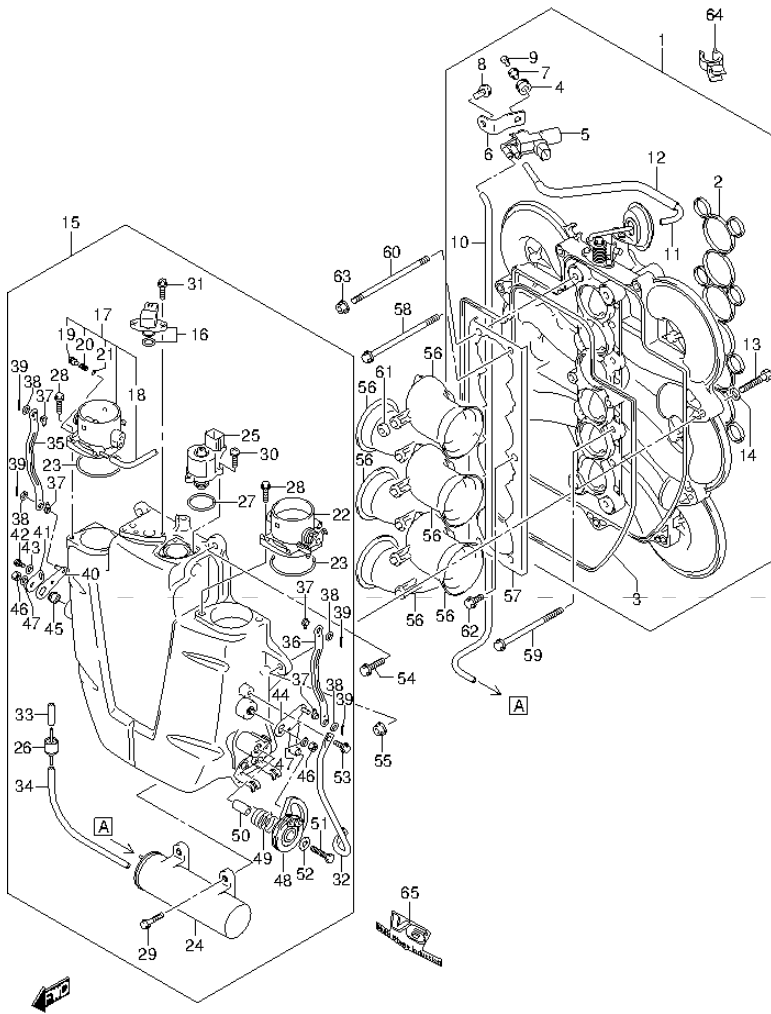


FIG.88 (1-L-7) THROTTLE BODY (DF250T E1)

REF NO.	PART NO.	DESCRIPTION	Q'TY	REMARKS
35	13583-93J00	ARM, LINK	1	
36	13583-93J00	ARM, LINK	1	
37	13555-93J00	GROMMET, LINK	4	
38	13537-93J00	WASHER, LINK	4	
39	09204-01004	PIN	4	
40	13553-93J00	LEVER, NO.1	1	
41	13554-93J00	LEVER, NO.2	1	
42	02112-35087	SCREW	1	
43	09160-05043	WASHER (5.5X16X1.2)	1	
44	13521-93J00	LEVER, LINK	1	
45	13514-93J00	SPACER, LINK SHAFT	1	
46	13599-93J00	NUT, LINK SHAFT	2	
47	13538-93J00	WASHER, LINK SHAFT SPRING	2	
48	13541-93J00	CAM THROTTLE	1	
49	13542-93J00	SPRING, THROTTLE CAM	1	
50	13543-93J00	SPACER, THROTTLE CAM	1	
51	01500-06307	BOLT	1	
52	09160-06036	WASHER (6.5X18X1.5)	1	
53	01550-06167	BOLT	2	
54	01550-08307	BOLT	7	
55	08316-10087	NUT	2	
56	13132-93J00	FUNNEL, COLLECTOR	6	
57	13133-93J00	BRACKET, COLLECTOR FUNNEL	1	
58	09103-08182	BOLT (8X125)	2	
59	09103-08134	BOLT (8X110)	4	
60	09108-08267	STUD BOLT	2	
61	09329-06002	CUSHION	6	
62	01550-0820A	BOLT	2	
63	08316-1008A	NUT	2	
64	09408-00060	CLIP	1	
65	61436-93J10	MARK, EMBLEM V6 (MSI)	1	

FIG.89

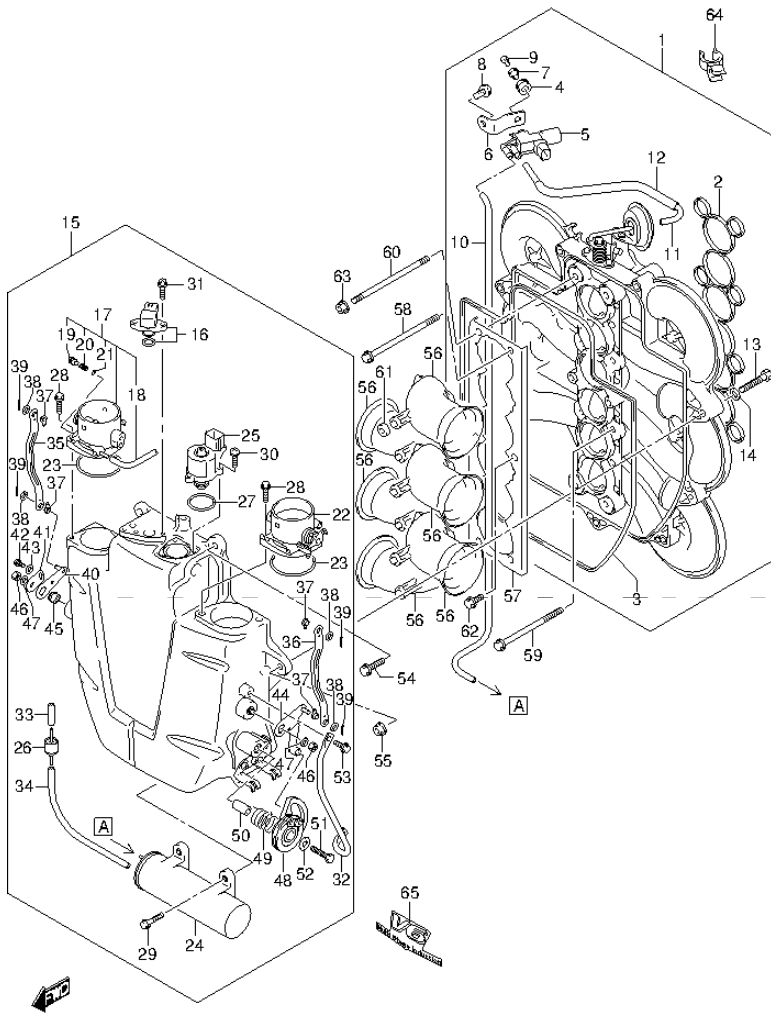


FIG.89 (1-L-8) THROTTLE BODY (DF250T E40)

REF NO.	PART NO.	DESCRIPTION	Q'TY	REMARKS
1	13130-93J21	COLLECTOR	1	
2	13139-93J00	GASKET, COLLECTOR	1	
3	13147-93J00	GASKET, COLLECTOR COVER	1	
4	18116-93J00	CUSHION, VACUUM VALVE	1	
5	18117-93J00	VALVE, VACUUM SWITCHING	1	
6	18119-93J00	BRACKET, VACUUM VALVE	1	
7	09169-05018	WASHER	1	
8	01550-08167	BOLT	1	
9	02112-0512A	SCREW	1	
10	09355-35754-00B	HOSE (3.5X7.5X2000)	1	L:2000->610
11	09355-35754-601	HOSE (3.5X7.5X601)	1	L:601->160
12	18498-90J00	PROTECTOR	1	L:290->140
13	13138-93J00	BOLT, COLLECTOR	2	
14	08322-01087	WASHER	2	
15	13140-93J03	COVER, COLLECTOR	1	
16	18590-68H00	SENSOR, MAP	1	
17	13310-93J01	BODY ASSY, THROTTLE NO.1	1	
18	13312-93J00	HOSE, BYPASS AIR	1	
19	13279-10G00	SCREW, BYPASS AIR	1	
20	13355-93J00	SPRING, BYPASS AIR	1	
21	13295-10G00	O RING, BYPASS AIR SCREW	1	
22	13320-93J00	BODY ASSY, THROTTLE NO.2	1	
23	13421-93J00	GASKET, THROTTLE BODY	2	
24	13730-93J00	CHAMBER, VACUUM	1	
25	18137-93J00	VALVE, IAC	1	
26	95569-78040	VALVE, CHECK	1	
27	09280-29006	O RING (D.2, ID.29.5)	1	
28	01547-06257	BOLT	4	
29	01550-06307	BOLT	2	
30	02112-3416B	SCREW	3	
31	02162-0520B	SCREW	2	
32	13144-93J00	GUARD, THROTTLE DRUM	1	
33	09355-35754-601	HOSE (3.5X7.5X601)	1	L:601->30
34	09355-35754-601	HOSE (3.5X7.5X601)	1	L:601->165

FIG.89

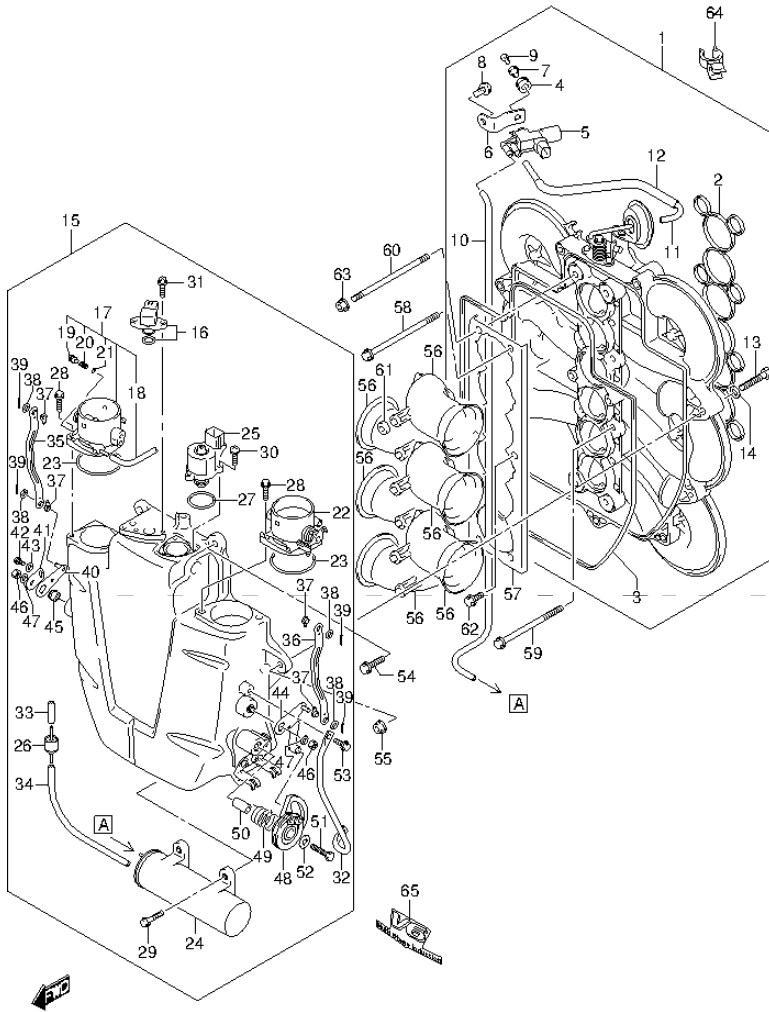


FIG.89 (1-L-9) THROTTLE BODY (DF250T E40)

REF NO.	PART NO.	DESCRIPTION	Q'TY	REMARKS
35	13583-93J00	ARM, LINK	1	
36	13583-93J00	ARM, LINK	1	
37	13555-93J00	GROMMET, LINK	4	
38	13537-93J00	WASHER, LINK	4	
39	09204-01004	PIN	4	
40	13553-93J00	LEVER, NO.1	1	
41	13554-93J00	LEVER, NO.2	1	
42	02112-35087	SCREW	1	
43	09160-05043	WASHER (5.5X16X1.2)	1	
44	13521-93J00	LEVER, LINK	1	
45	13514-93J00	SPACER, LINK SHAFT	1	
46	13599-93J00	NUT, LINK SHAFT	2	
47	13538-93J00	WASHER, LINK SHAFT SPRING	2	
48	13541-93J00	CAM THROTTLE	1	
49	13542-93J00	SPRING, THROTTLE CAM	1	
50	13543-93J00	SPACER, THROTTLE CAM	1	
51	01500-06307	BOLT	1	
52	09160-06036	WASHER (6.5X18X1.5)	1	
53	01550-06167	BOLT	2	
54	01550-08307	BOLT	7	
55	08316-10087	NUT	2	
56	13132-93J00	FUNNEL, COLLECTOR	6	
57	13133-93J00	BRACKET, COLLECTOR FUNNEL	1	
58	09103-08182	BOLT (8X125)	2	
59	09103-08134	BOLT (8X110)	4	
60	09108-08267	STUD BOLT	2	
61	09329-06002	CUSHION	6	
62	01550-0820A	BOLT	2	
63	08316-1008A	NUT	2	
64	09408-00060	CLIP	1	
65	61436-93J10	MARK, EMBLEM V6 (MSI)	1	

FIG.90

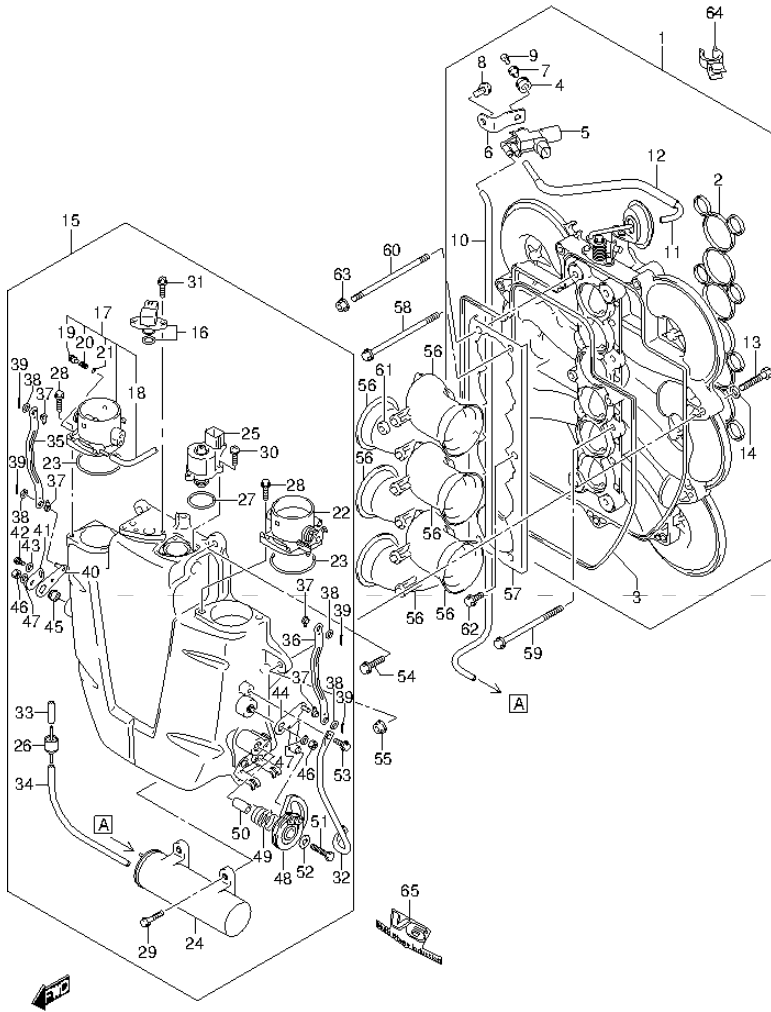


FIG.90 (1-L-10) THROTTLE BODY (DF250Z E1)

REF NO.	PART NO.	DESCRIPTION	Q'TY	REMARKS
1	13130-93J21	COLLECTOR	1	
2	13139-93J00	GASKET, COLLECTOR	1	
3	13147-93J00	GASKET, COLLECTOR COVER	1	
4	18116-93J00	CUSHION, VACUUM VALVE	1	
5	18117-93J00	VALVE, VACUUM SWITCHING	1	
6	18119-93J00	BRACKET, VACUUM VALVE	1	
7	09169-05018	WASHER	1	
8	01550-08167	BOLT	1	
9	02112-0512A	SCREW	1	
10	09355-35754-00B	HOSE (3.5X7.5X2000)	1	L:2000->610
11	09355-35754-601	HOSE (3.5X7.5X601)	1	L:601->160
12	18498-90J00	PROTECTOR	1	L:290->140
13	13138-93J00	BOLT, COLLECTOR	2	
14	08322-01087	WASHER	2	
15	13140-93J03	COVER, COLLECTOR	1	
16	18590-68H00	SENSOR, MAP	1	
17	13310-93J01	BODY ASSY, THROTTLE NO.1	1	
18	13312-93J00	HOSE, BYPASS AIR	1	
19	13279-10G00	SCREW, BYPASS AIR	1	
20	13355-93J00	SPRING, BYPASS AIR	1	
21	13295-10G00	O RING, BYPASS AIR SCREW	1	
22	13320-93J00	BODY ASSY, THROTTLE NO.2	1	
23	13421-93J00	GASKET, THROTTLE BODY	2	
24	13730-93J00	CHAMBER, VACUUM	1	
25	18137-93J00	VALVE, IAC	1	
26	95569-78040	VALVE, CHECK	1	
27	09280-29006	O RING (D.2, ID.29.5)	1	
28	01547-06257	BOLT	4	
29	01550-06307	BOLT	2	
30	02112-3416B	SCREW	3	
31	02162-0520B	SCREW	2	
32	13144-93J00	GUARD, THROTTLE DRUM	1	
33	09355-35754-601	HOSE (3.5X7.5X601)	1	L:601->30
34	09355-35754-601	HOSE (3.5X7.5X601)	1	L:601->165

FIG.90

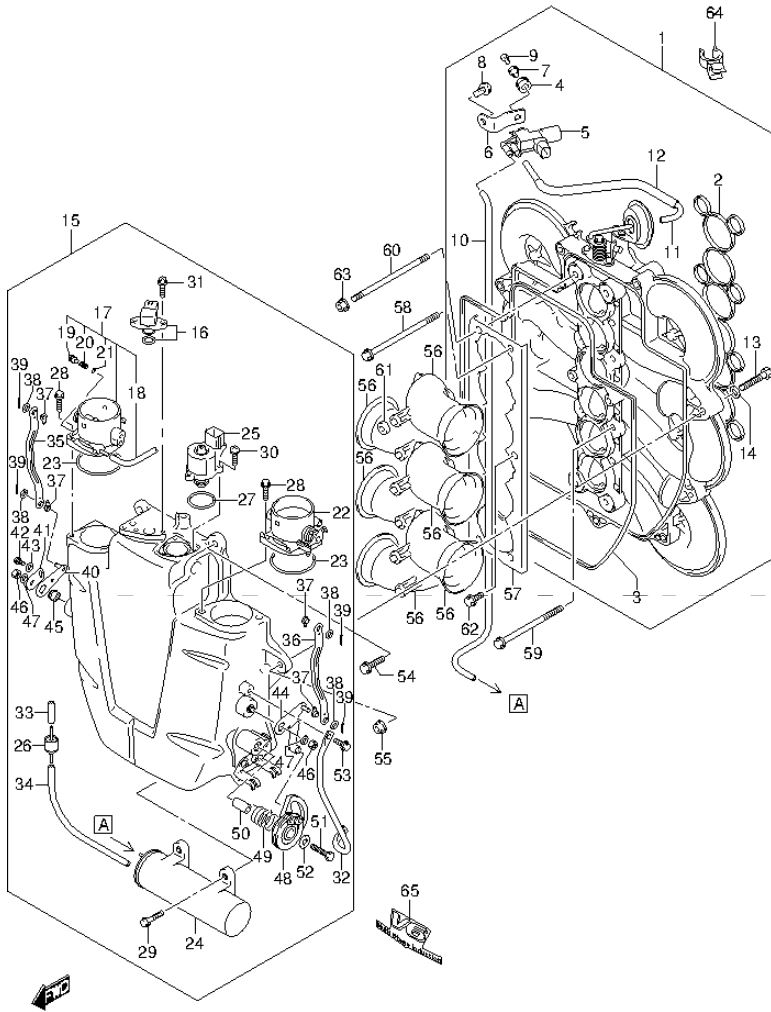


FIG.90 (1-L-11) THROTTLE BODY (DF250Z E1)

REF NO.	PART NO.	DESCRIPTION	Q'TY	REMARKS
35	13583-93J00	ARM, LINK	1	
36	13583-93J00	ARM, LINK	1	
37	13555-93J00	GROMMET, LINK	4	
38	13537-93J00	WASHER, LINK	4	
39	09204-01004	PIN	4	
40	13553-93J00	LEVER, NO.1	1	
41	13554-93J00	LEVER, NO.2	1	
42	02112-35087	SCREW	1	
43	09160-05043	WASHER (5.5X16X1.2)	1	
44	13521-93J00	LEVER, LINK	1	
45	13514-93J00	SPACER, LINK SHAFT	1	
46	13599-93J00	NUT, LINK SHAFT	2	
47	13538-93J00	WASHER, LINK SHAFT SPRING	2	
48	13541-93J00	CAM THROTTLE	1	
49	13542-93J00	SPRING, THROTTLE CAM	1	
50	13543-93J00	SPACER, THROTTLE CAM	1	
51	01500-06307	BOLT	1	
52	09160-06036	WASHER (6.5X18X1.5)	1	
53	01550-06167	BOLT	2	
54	01550-08307	BOLT	7	
55	08316-10087	NUT	2	
56	13132-93J00	FUNNEL, COLLECTOR	6	
57	13133-93J00	BRACKET, COLLECTOR FUNNEL	1	
58	09103-08182	BOLT (8X125)	2	
59	09103-08134	BOLT (8X110)	4	
60	09108-08267	STUD BOLT	2	
61	09329-06002	CUSHION	6	
62	01550-0820A	BOLT	2	
63	08316-1008A	NUT	2	
64	09408-00060	CLIP	1	
65	61436-93J10	MARK, EMBLEM V6 (MSI)	1	

FIG.91

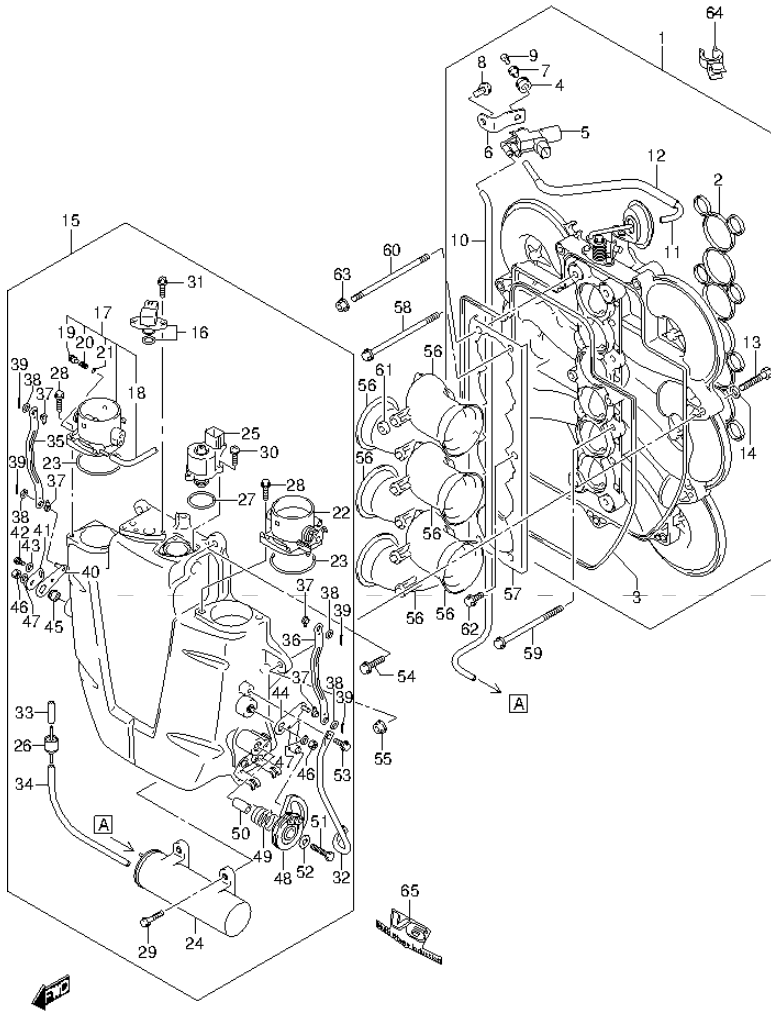


FIG.91 (1-L-12) THROTTLE BODY (DF250Z E40)

REF NO.	PART NO.	DESCRIPTION	Q'TY	REMARKS
1	13130-93J21	COLLECTOR	1	
2	13139-93J00	GASKET, COLLECTOR	1	
3	13147-93J00	GASKET, COLLECTOR COVER	1	
4	18116-93J00	CUSHION, VACUUM VALVE	1	
5	18117-93J00	VALVE, VACUUM SWITCHING	1	
6	18119-93J00	BRACKET, VACUUM VALVE	1	
7	09169-05018	WASHER	1	
8	01550-08167	BOLT	1	
9	02112-0512A	SCREW	1	
10	09355-35754-00B	HOSE (3.5X7.5X2000)	1	L:2000->610
11	09355-35754-601	HOSE (3.5X7.5X601)	1	L:601->160
12	18498-90J00	PROTECTOR	1	L:290->140
13	13138-93J00	BOLT, COLLECTOR	2	
14	08322-01087	WASHER	2	
15	13140-93J03	COVER, COLLECTOR	1	
16	18590-68H00	SENSOR, MAP	1	
17	13310-93J01	BODY ASSY, THROTTLE NO.1	1	
18	13312-93J00	HOSE, BYPASS AIR	1	
19	13279-10G00	SCREW, BYPASS AIR	1	
20	13355-93J00	SPRING, BYPASS AIR	1	
21	13295-10G00	O RING, BYPASS AIR SCREW	1	
22	13320-93J00	BODY ASSY, THROTTLE NO.2	1	
23	13421-93J00	GASKET, THROTTLE BODY	2	
24	13730-93J00	CHAMBER, VACUUM	1	
25	18137-93J00	VALVE, IAC	1	
26	95569-78040	VALVE, CHECK	1	
27	09280-29006	O RING (D.2, ID.29.5)	1	
28	01547-06257	BOLT	4	
29	01550-06307	BOLT	2	
30	02112-3416B	SCREW	3	
31	02162-0520B	SCREW	2	
32	13144-93J00	GUARD, THROTTLE DRUM	1	
33	09355-35754-601	HOSE (3.5X7.5X601)	1	L:601->30
34	09355-35754-601	HOSE (3.5X7.5X601)	1	L:601->165

FIG.91

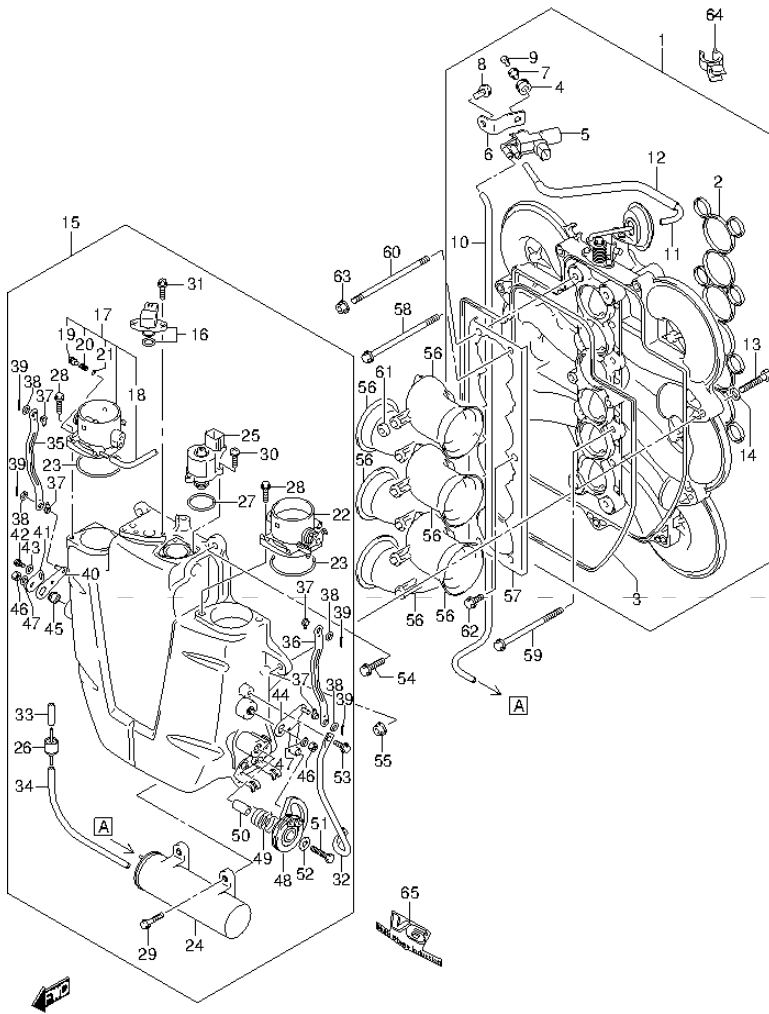


FIG.91 (1-L-13) THROTTLE BODY (DF250Z E40)

REF NO.	PART NO.	DESCRIPTION	Q'TY	REMARKS
35	13583-93J00	ARM, LINK	1	
36	13583-93J00	ARM, LINK	1	
37	13555-93J00	GROMMET, LINK	4	
38	13537-93J00	WASHER, LINK	4	
39	09204-01004	PIN	4	
40	13553-93J00	LEVER, NO.1	1	
41	13554-93J00	LEVER, NO.2	1	
42	02112-35087	SCREW	1	
43	09160-05043	WASHER (5.5X16X1.2)	1	
44	13521-93J00	LEVER, LINK	1	
45	13514-93J00	SPACER, LINK SHAFT	1	
46	13599-93J00	NUT, LINK SHAFT	2	
47	13538-93J00	WASHER, LINK SHAFT SPRING	2	
48	13541-93J00	CAM THROTTLE	1	
49	13542-93J00	SPRING, THROTTLE CAM	1	
50	13543-93J00	SPACER, THROTTLE CAM	1	
51	01500-06307	BOLT	1	
52	09160-06036	WASHER (6.5X18X1.5)	1	
53	01550-06167	BOLT	2	
54	01550-08307	BOLT	7	
55	08316-10087	NUT	2	
56	13132-93J00	FUNNEL, COLLECTOR	6	
57	13133-93J00	BRACKET, COLLECTOR FUNNEL	1	
58	09103-08182	BOLT (8X125)	2	
59	09103-08134	BOLT (8X110)	4	
60	09108-08267	STUD BOLT	2	
61	09329-06002	CUSHION	6	
62	01550-0820A	BOLT	2	
63	08316-1008A	NUT	2	
64	09408-00060	CLIP	1	
65	61436-93J10	MARK, EMBLEM V6 (MSI)	1	

FIG.92

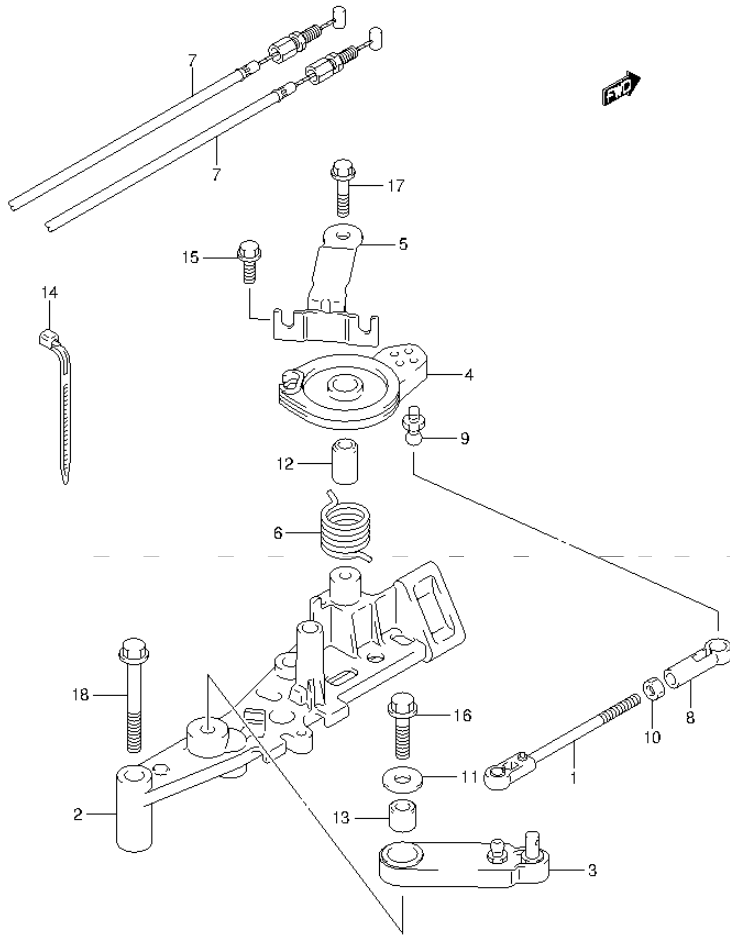


FIG.92 (1-L14) THROTTLE ROD

REF NO.	PART NO.	DESCRIPTION	Q'TY	REMARKS
1	13510-93J00	ROD, THROTTLE NO.1	1	
2	19115-93J01	HOLDER, THROTTLE LEVER	1	
3	19121-93J02	LEVER, THROTTLE NO.1	1	
4	19148-93J00	DRUM, THROTTLE	1	
5	19184-93J00	BRACKET, THROTTLE CABLE	1	
6	19185-93J00	SPRING, THROTTLE LEVER	1	
7	63610-93J00	CABLE, THROTTLE	2	
8	67463-95200	CONNECTOR, THROTTLE ROD	1	
9	09119-06047	PIVOT	1	
10	09140-05005	NUT	1	
11	09160-06066	WASHER (6.5X20X1.6)	1	
12	09180-06186	SPACER (6.2X12.6X21)	1	
13	09180-06230	SPACER (6.2X12.6X12.5)	1	
14	09407-11401	CLAMP (L:95)	1	
15	01550-06167	BOLT	1	
16	01550-06257	BOLT	1	
17	01550-06357	BOLT	1	
18	01550-08607	BOLT	2	

FIG.93

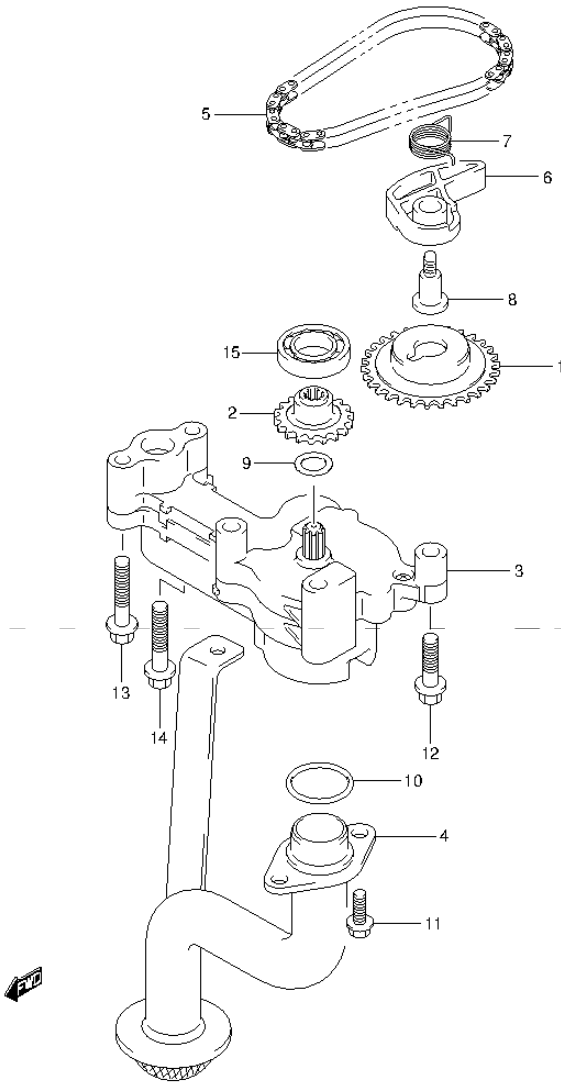


FIG.93 (1-L-15) OIL PUMP

REF NO.	PART NO.	DESCRIPTION	Q'TY	REMARKS
1	12632-93J11	SPROCKET, OIL PUMP DRIVE (NT:32)	1	
2	16113-93J10	SPROCKET, OIL PUMP DRIVEN (NT:18)	1	
3	16400-93J02	PUMP ASSY, OIL	1	
4	16520-93J00	STRAINER, OIL PUMP	1	
5	16760-93J00	CHAIN, OIL PUMP DRIVE	1	
6	16781-93J00	TENSIONER, OIL PUMP CHAIN	1	
7	16782-93J00	SPRING, OIL PUMP TENSIONER	1	
8	16783-93J01	BOLT, OIL PUMP TENSIONER	1	
9	09181-12158	SHIM (12X20X0.5)	1	
10	09280-22020	O RING (D:2.4,ID:21.8)	2	
11	01550-0616A	BOLT	3	
12	01550-0845A	BOLT	1	
13	01550-0865A	BOLT	3	
14	01550-0885A	BOLT	1	
15	08110-60020	BEARING	1	

FIG.94

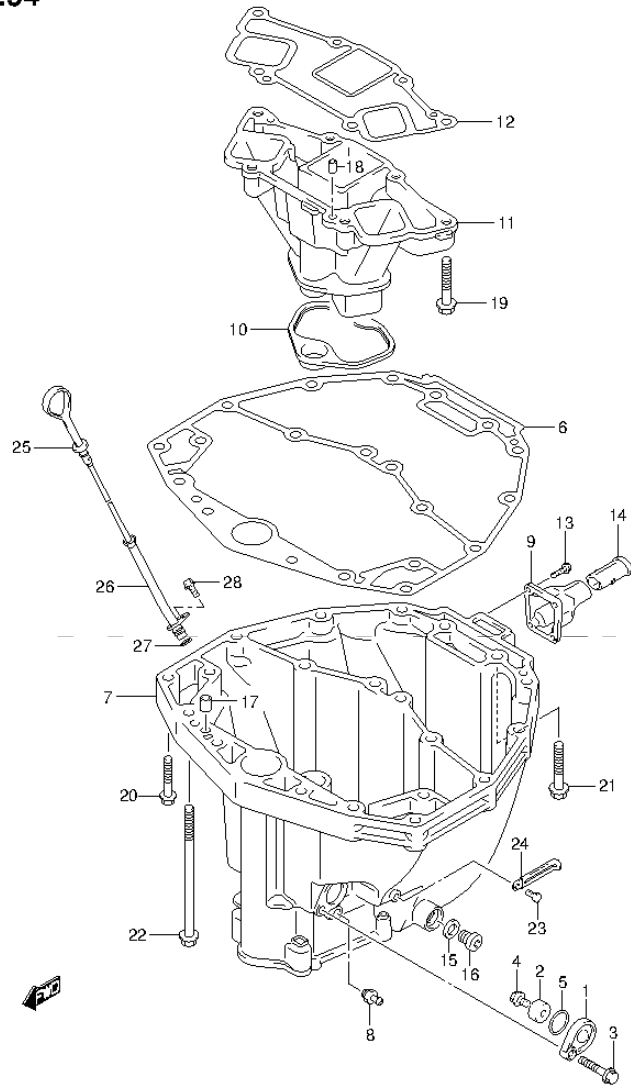


FIG.94 (2-B-2) OIL PAN

REF NO.	PART NO.	DESCRIPTION	Q'TY	REMARKS
1	11261-93J00-0EP	COVER, PROTECTION ANODE (BLACK)	1	
2-1	55321-87J00	ANODE, PROTECTION	1	
2-2	55321-87J10	ANODE (MAGNESIUM)	1	OPT
3	29103-93J30	BOLT, ANODE COVER	1	
4	09103-06281	BOLT (6X14)	1	
5	09280-22019	O RING (D:1.9,ID:21.8)	1	
6	11489-93J00	GASKET, OIL PAN	1	
7	11501-93J02-0EP	PAN, OIL (BLACK)	1	
8	11591-93J10	UNION, OIL PAN	1	
9	11541-93J00-0EP	PIPE, EXHAUST (BLACK)	1	
10	14154-93J01	SEAL, EXHAUST TUBE	1	
11	14211-93J00	TUBE, EXHAUST	1	
12	14212-93J00	GASKET, EXHAUST TUBE	1	
13	29116-93J00	BOLT, EXHAUST PIPE	4	
14	11435-93J00	PIPE, EXHAUST RELEASE	1	
15	09168-12012	GASKET (12.5X20X2.5)	1	
16	09248-12009	PLUG (12X18.65)	1	
17	09202-08006	PIN (8X12)	2	
18	09202-08006	PIN (8X12)	2	
19	01550-1050A	BOLT	4	
20	09116-08128	BOLT (8X40)	10	
21	09116-10175	BOLT (10X50)	2	
22	09116-10146	BOLT (10X195)	4	
23	29103-93J00	BOLT, SPEEDOMETER HOSE CLAMP	1	
24	29404-93J10	CLAMP, SPEEDOMETER HOSE	1	
25	16910-93J00	GAUGE, OIL LEVEL	1	
26	16930-93J00	GUIDE, OIL LEVEL GAUGE	1	
27	09280-09008	O RING (D:2.1,ID:8.8)	1	
28	01550-06127	BOLT	1	

FIG.95

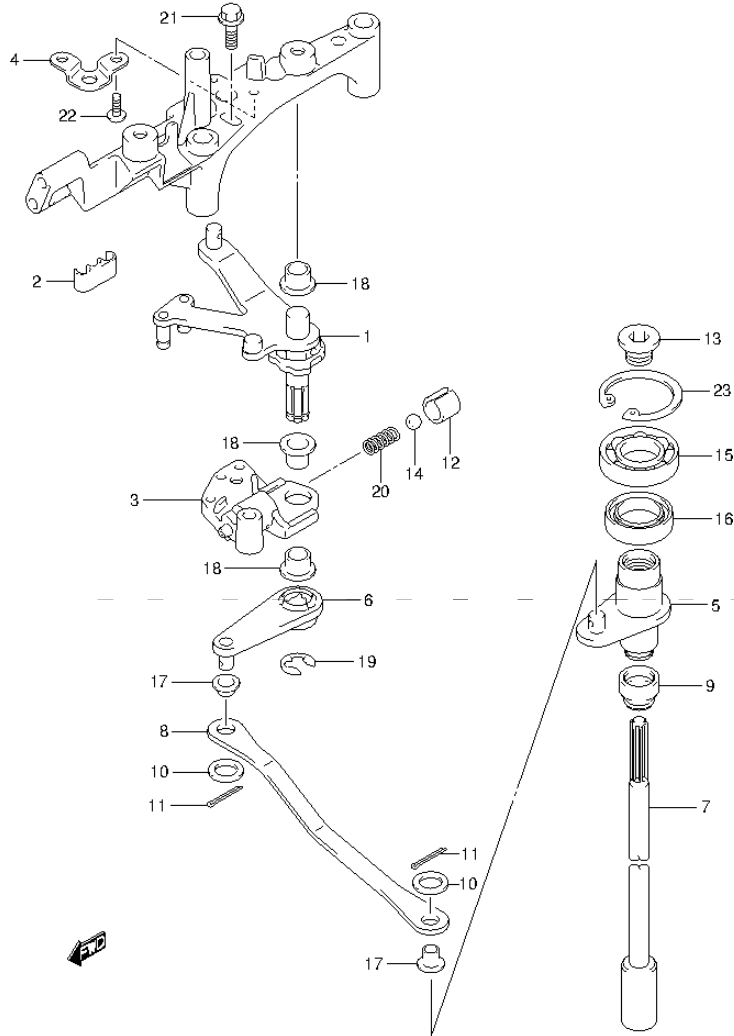


FIG.95 (2-B-3) CLUTCH SHAFT (DF200T E1)

REF NO.	PART NO.	DESCRIPTION	Q'TY	REMARKS
1	21100-93J01	LEVER, CLUTCH	1	
2	21131-93J00	BUSH, CLUTCH LEVER	1	
3	21151-93J00	HOLDER, CLUTCH LEVER	1	
4	21155-93J00	PLATE, SHIFT LEVER	1	
5	21210-93J00	SHAFT, CLUTCH	1	
6	21230-93J00	ARM, CLUTCH SHAFT	1	
7-1	23111-93J00	ROD, CLUTCH (UL)	1	W/TRANSOM(X,XX)
7-2	23111-93J10	ROD, CLUTCH (L)	1	W/TRANSOM(L)
8	23115-93J00	LINK, CLUTCH LEVER	1	
9	25223-94400	COVER, CLUTCH ROD	1	
10	09160-06094	WASHER (6.5X15X1.5)	2	
11	09204-01006	PIN	2	
12	09205-10006	SPRING PIN (10.2X10)	1	
13	09248-12011	PLUG (12X9)	1	
14	09260-10005	BALL	1	
15	09262-17019	BEARING (17X35X8)	1	
16	09289-18001	OIL SEAL (18X30X8)	1	
17	09306-06004	BUSH	2	
18	09306-10001	BUSH	3	
19	09383-08004	E RING	1	
20	09440-07051	SPRING	1	
21	01550-06207	BOLT	1	
22	02142-05107	SCREW	2	
23	08331-41359	CIRCLIP	1	

FIG.96

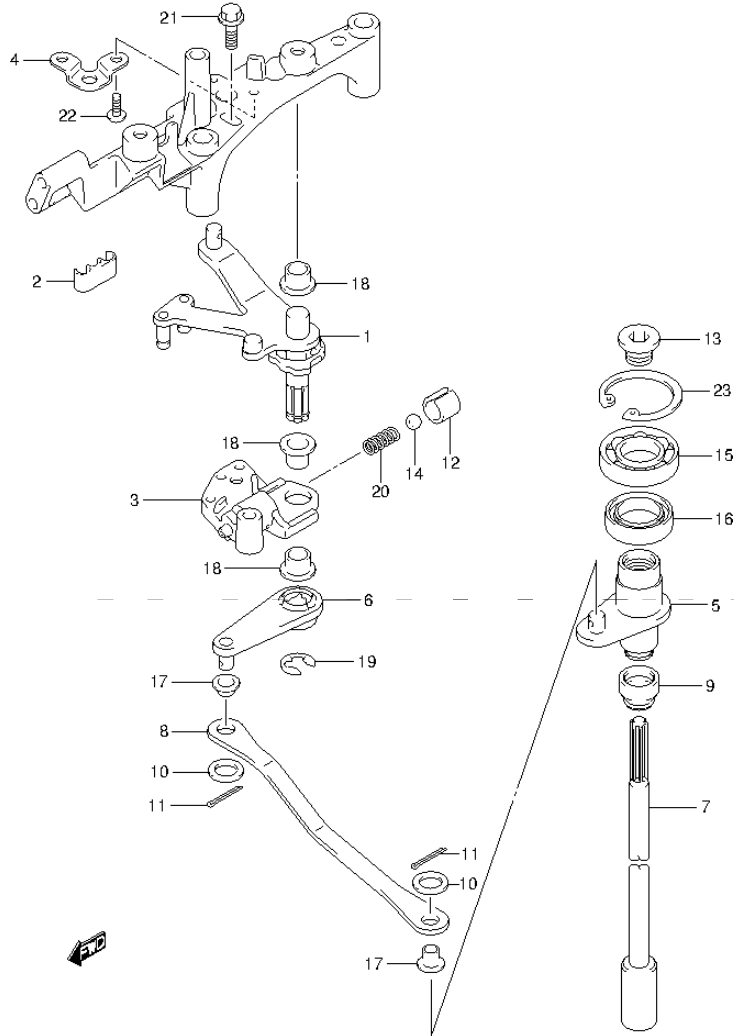


FIG.96 (2-B-4) CLUTCH SHAFT (DF200T E40)

REF NO.	PART NO.	DESCRIPTION	Q'TY	REMARKS
1	21100-93J01	LEVER, CLUTCH	1	
2	21131-93J00	BUSH, CLUTCH LEVER	1	
3	21151-93J00	HOLDER, CLUTCH LEVER	1	
4	21155-93J00	PLATE, SHIFT LEVER	1	
5	21210-93J00	SHAFT, CLUTCH	1	
6	21230-93J00	ARM, CLUTCH SHAFT	1	
7-1	23111-93J00	ROD, CLUTCH (UL)	1	W/TRANSOM(X)
7-2	23111-93J10	ROD, CLUTCH (L)	1	W/TRANSOM(L)
8	23115-93J00	LINK, CLUTCH LEVER	1	
9	25223-94400	COVER, CLUTCH ROD	1	
10	09160-06094	WASHER (6.5X15X1.5)	2	
11	09204-01006	PIN	2	
12	09205-10006	SPRING PIN (10.2X10)	1	
13	09248-12011	PLUG (12X9)	1	
14	09260-10005	BALL	1	
15	09262-17019	BEARING (17X35X8)	1	
16	09289-18001	OIL SEAL (18X30X8)	1	
17	09306-06004	BUSH	2	
18	09306-10001	BUSH	3	
19	09383-08004	E RING	1	
20	09440-07051	SPRING	1	
21	01550-06207	BOLT	1	
22	02142-05107	SCREW	2	
23	08331-41359	CIRCLIP	1	

FIG.97

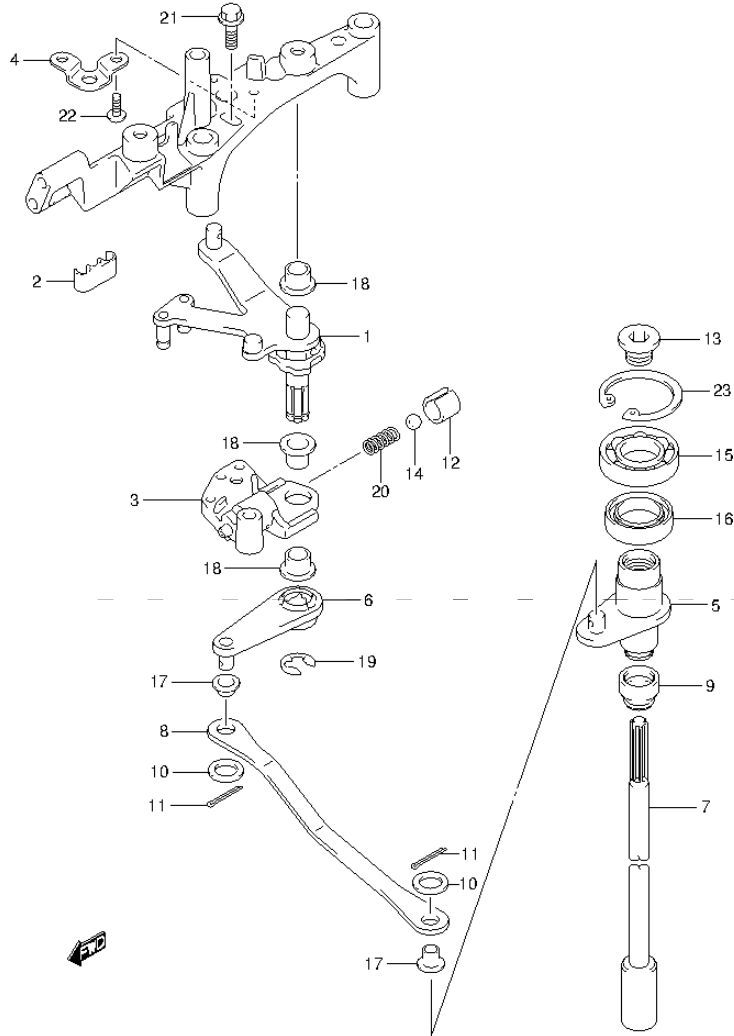


FIG.97 (2-B-5) CLUTCH SHAFT (DF200Z E1)

REF NO.	PART NO.	DESCRIPTION	Q'TY	REMARKS
1	21100-93J01	LEVER, CLUTCH	1	
2	21131-93J00	BUSH, CLUTCH LEVER	1	
3	21151-93J00	HOLDER, CLUTCH LEVER	1	
4	21155-93J00	PLATE, SHIFT LEVER	1	
5	21210-93J00	SHAFT, CLUTCH	1	
6	21230-93J00	ARM, CLUTCH SHAFT	1	
7	23111-93J00	ROD, CLUTCH (UL)	1	
8	23115-93J00	LINK, CLUTCH LEVER	1	
9	25223-94400	COVER, CLUTCH ROD	1	
10	09160-06094	WASHER (6.5X15X1.5)	2	
11	09204-01006	PIN	2	
12	09205-10006	SPRING PIN (10.2X10)	1	
13	09248-12011	PLUG (12X9)	1	
14	09260-10005	BALL	1	
15	09262-17019	BEARING (17X35X8)	1	
16	09289-18001	OIL SEAL (18X30X8)	1	
17	09306-06004	BUSH	2	
18	09306-10001	BUSH	3	
19	09383-08004	E RING	1	
20	09440-07051	SPRING	1	
21	01550-06207	BOLT	1	
22	02142-05107	SCREW	2	
23	08331-41359	CIRCLIP	1	

FIG.98

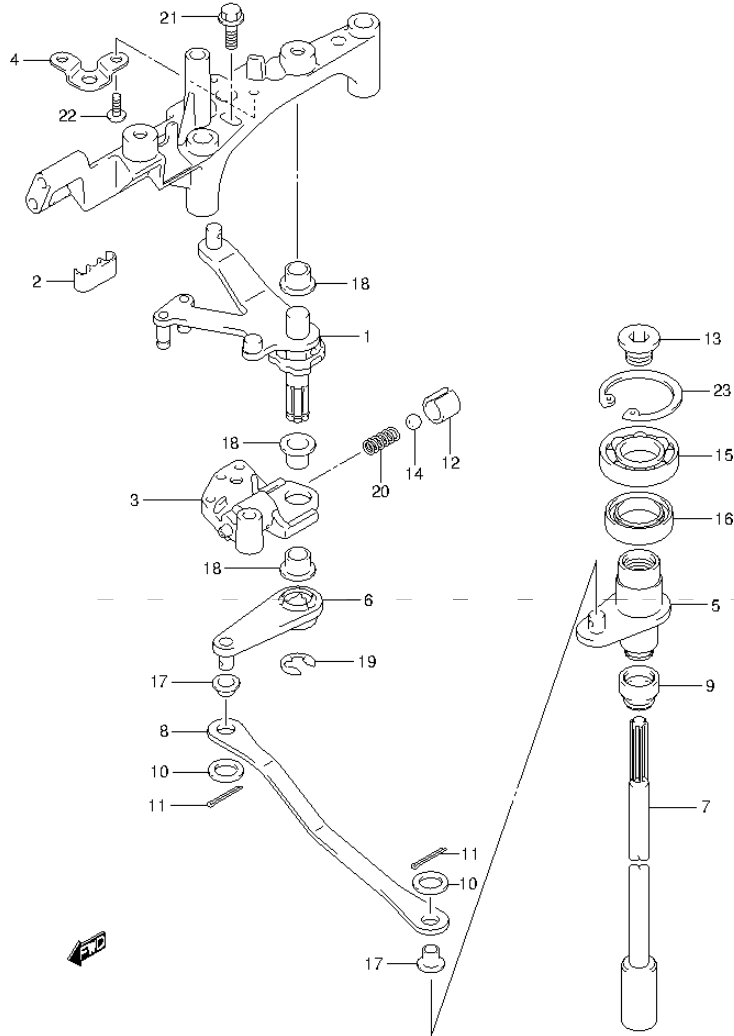


FIG.98 (2-B-6) CLUTCH SHAFT (DF200Z E40)

REF NO.	PART NO.	DESCRIPTION	Q'TY	REMARKS
1	21100-93J01	LEVER, CLUTCH	1	
2	21131-93J00	BUSH, CLUTCH LEVER	1	
3	21151-93J00	HOLDER, CLUTCH LEVER	1	
4	21155-93J00	PLATE, SHIFT LEVER	1	
5	21210-93J00	SHAFT, CLUTCH	1	
6	21230-93J00	ARM, CLUTCH SHAFT	1	
7	23111-93J00	ROD, CLUTCH (UL)	1	
8	23115-93J00	LINK, CLUTCH LEVER	1	
9	25223-94400	COVER, CLUTCH ROD	1	
10	09160-06094	WASHER (6.5X15X1.5)	2	
11	09204-01006	PIN	2	
12	09205-10006	SPRING PIN (10.2X10)	1	
13	09248-12011	PLUG (12X9)	1	
14	09260-10005	BALL	1	
15	09262-17019	BEARING (17X35X8)	1	
16	09289-18001	OIL SEAL (18X30X8)	1	
17	09306-06004	BUSH	2	
18	09306-10001	BUSH	3	
19	09383-08004	E RING	1	
20	09440-07051	SPRING	1	
21	01550-06207	BOLT	1	
22	02142-05107	SCREW	2	
23	08331-41359	CIRCLIP	1	

FIG.100

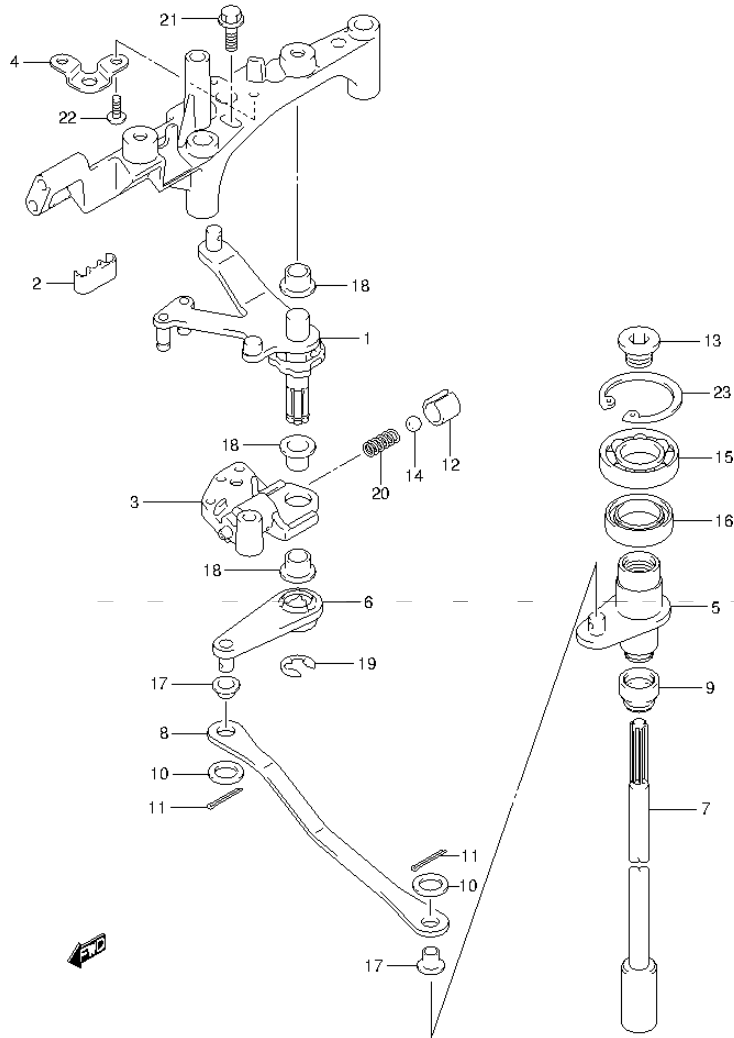


FIG.100 (2-B-8) CLUTCH SHAFT (DF225T E40)

REF NO.	PART NO.	DESCRIPTION	Q'TY	REMARKS
1	21100-93J01	LEVER, CLUTCH	1	
2	21131-93J00	BUSH, CLUTCH LEVER	1	
3	21151-93J00	HOLDER, CLUTCH LEVER	1	
4	21155-93J00	PLATE, SHIFT LEVER	1	
5	21210-93J00	SHAFT, CLUTCH	1	
6	21230-93J00	ARM, CLUTCH SHAFT	1	
7	23111-93J00	ROD, CLUTCH (UL)	1	
8	23115-93J00	LINK, CLUTCH LEVER	1	
9	25223-94400	COVER, CLUTCH ROD	1	
10	09160-06094	WASHER (6.5X15X1.5)	2	
11	09204-01006	PIN	2	
12	09205-10006	SPRING PIN (10.2X10)	1	
13	09248-12011	PLUG (12X9)	1	
14	09260-10005	BALL	1	
15	09262-17019	BEARING (17X35X8)	1	
16	09289-18001	OIL SEAL (18X30X8)	1	
17	09306-06004	BUSH	2	
18	09306-10001	BUSH	3	
19	09383-08004	E RING	1	
20	09440-07051	SPRING	1	
21	01550-06207	BOLT	1	
22	02142-05107	SCREW	2	
23	08331-41359	CIRCLIP	1	

FIG.101

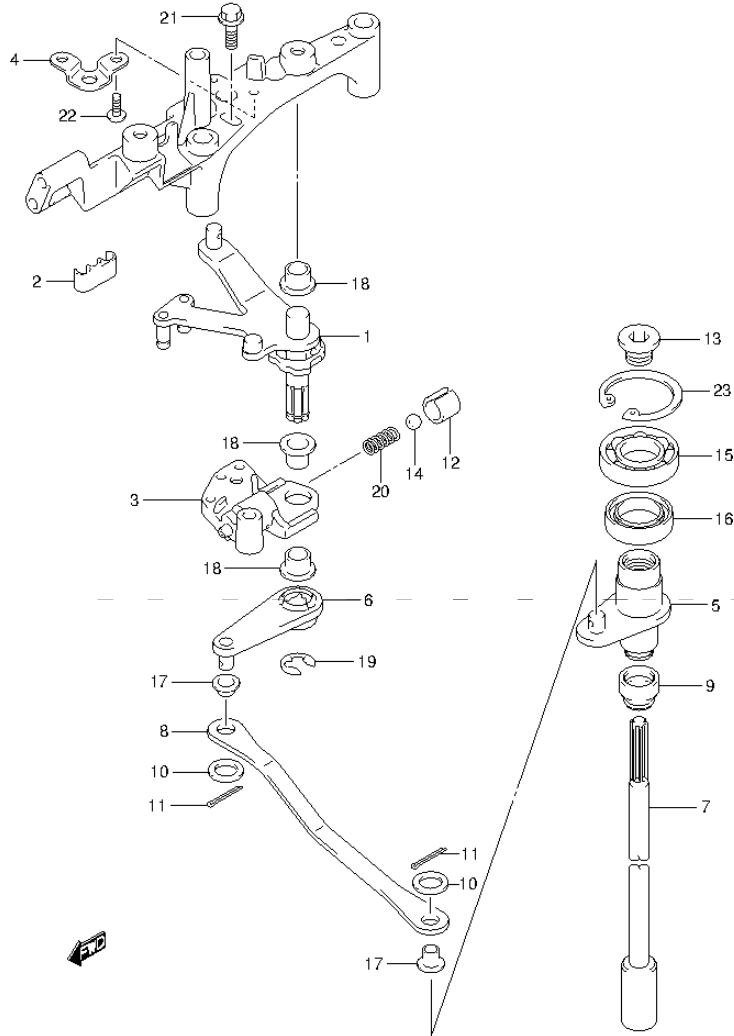


FIG.101 (2-B-9) CLUTCH SHAFT (DF225Z E1)

REF NO.	PART NO.	DESCRIPTION	Q'TY	REMARKS
1	21100-93J01	LEVER, CLUTCH	1	
2	21131-93J00	BUSH, CLUTCH LEVER	1	
3	21151-93J00	HOLDER, CLUTCH LEVER	1	
4	21155-93J00	PLATE, SHIFT LEVER	1	
5	21210-93J00	SHAFT, CLUTCH	1	
6	21230-93J00	ARM, CLUTCH SHAFT	1	
7	23111-93J00	ROD, CLUTCH (UL)	1	
8	23115-93J00	LINK, CLUTCH LEVER	1	
9	25223-94400	COVER, CLUTCH ROD	1	
10	09160-06094	WASHER (6.5X15X1.5)	2	
11	09204-01006	PIN	2	
12	09205-10006	SPRING PIN (10.2X10)	1	
13	09248-12011	PLUG (12X9)	1	
14	09260-10005	BALL	1	
15	09262-17019	BEARING (17X35X8)	1	
16	09289-18001	OIL SEAL (18X30X8)	1	
17	09306-06004	BUSH	2	
18	09306-10001	BUSH	3	
19	09383-08004	E RING	1	
20	09440-07051	SPRING	1	
21	01550-06207	BOLT	1	
22	02142-05107	SCREW	2	
23	08331-41359	CIRCLIP	1	

FIG.102

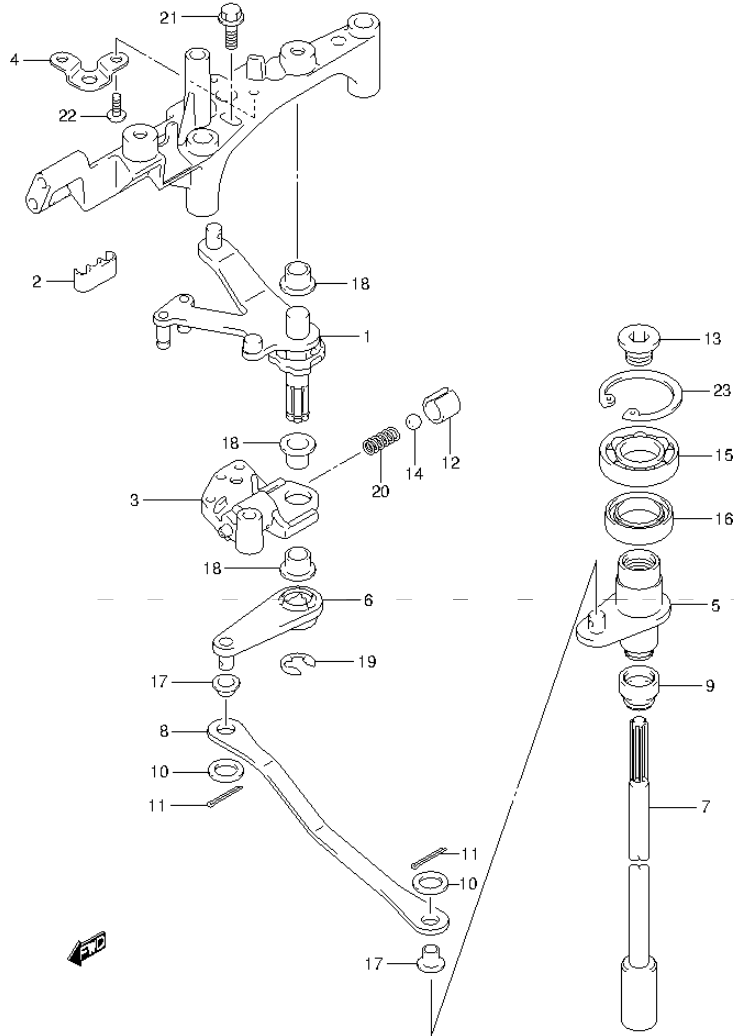


FIG.102 (2-B-10) CLUTCH SHAFT (DF225Z E40)

REF NO.	PART NO.	DESCRIPTION	Q'TY	REMARKS
1	21100-93J01	LEVER, CLUTCH	1	
2	21131-93J00	BUSH, CLUTCH LEVER	1	
3	21151-93J00	HOLDER, CLUTCH LEVER	1	
4	21155-93J00	PLATE, SHIFT LEVER	1	
5	21210-93J00	SHAFT, CLUTCH	1	
6	21230-93J00	ARM, CLUTCH SHAFT	1	
7	23111-93J00	ROD, CLUTCH (UL)	1	
8	23115-93J00	LINK, CLUTCH LEVER	1	
9	25223-94400	COVER, CLUTCH ROD	1	
10	09160-06094	WASHER (6.5X15X1.5)	2	
11	09204-01006	PIN	2	
12	09205-10006	SPRING PIN (10.2X10)	1	
13	09248-12011	PLUG (12X9)	1	
14	09260-10005	BALL	1	
15	09262-17019	BEARING (17X35X8)	1	
16	09289-18001	OIL SEAL (18X30X8)	1	
17	09306-06004	BUSH	2	
18	09306-10001	BUSH	3	
19	09383-08004	E RING	1	
20	09440-07051	SPRING	1	
21	01550-06207	BOLT	1	
22	02142-05107	SCREW	2	
23	08331-41359	CIRCLIP	1	

FIG.103

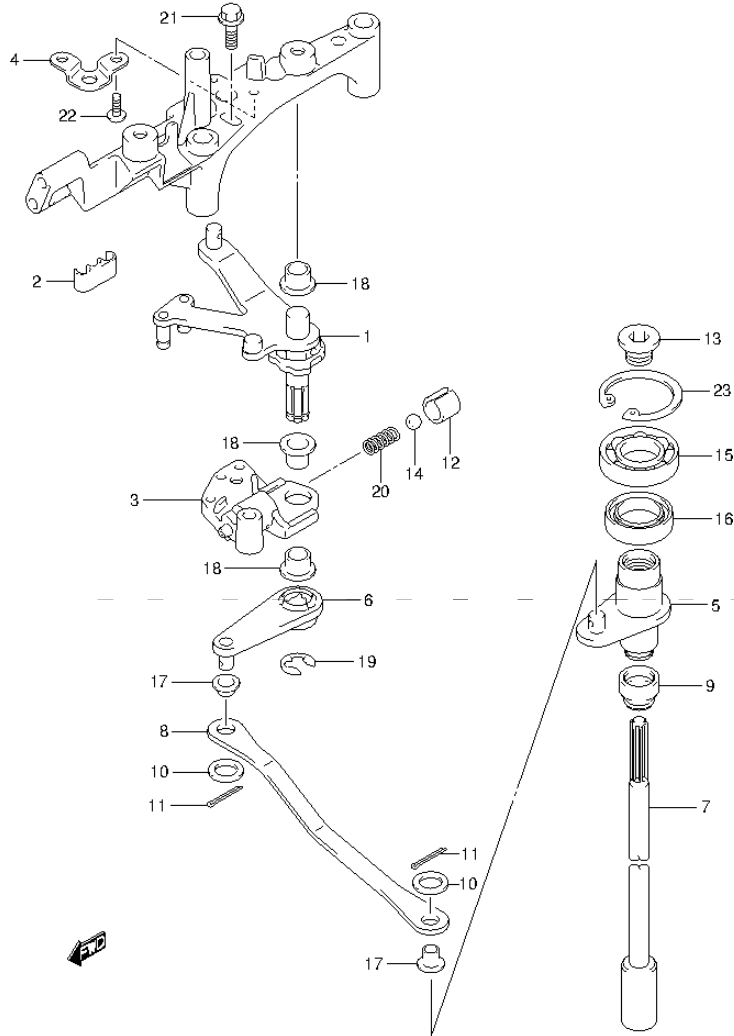


FIG.103 (2-B-11) CLUTCH SHAFT (DF250T E1)

REF NO.	PART NO.	DESCRIPTION	Q'TY	REMARKS
1	21100-93J01	LEVER, CLUTCH	1	
2	21131-93J00	BUSH, CLUTCH LEVER	1	
3	21151-93J00	HOLDER, CLUTCH LEVER	1	
4	21155-93J00	PLATE, SHIFT LEVER	1	
5	21210-93J00	SHAFT, CLUTCH	1	
6	21230-93J00	ARM, CLUTCH SHAFT	1	
7	23111-93J00	ROD, CLUTCH (UL)	1	
8	23115-93J00	LINK, CLUTCH LEVER	1	
9	25223-94400	COVER, CLUTCH ROD	1	
10	09160-06094	WASHER (6.5X15X1.5)	2	
11	09204-01006	PIN	2	
12	09205-10006	SPRING PIN (10.2X10)	1	
13	09248-12011	PLUG (12X9)	1	
14	09260-10005	BALL	1	
15	09262-17019	BEARING (17X35X8)	1	
16	09289-18001	OIL SEAL (18X30X8)	1	
17	09306-06004	BUSH	2	
18	09306-10001	BUSH	3	
19	09383-08004	E RING	1	
20	09440-07051	SPRING	1	
21	01550-06207	BOLT	1	
22	02142-05107	SCREW	2	
23	08331-41359	CIRCLIP	1	

FIG.104

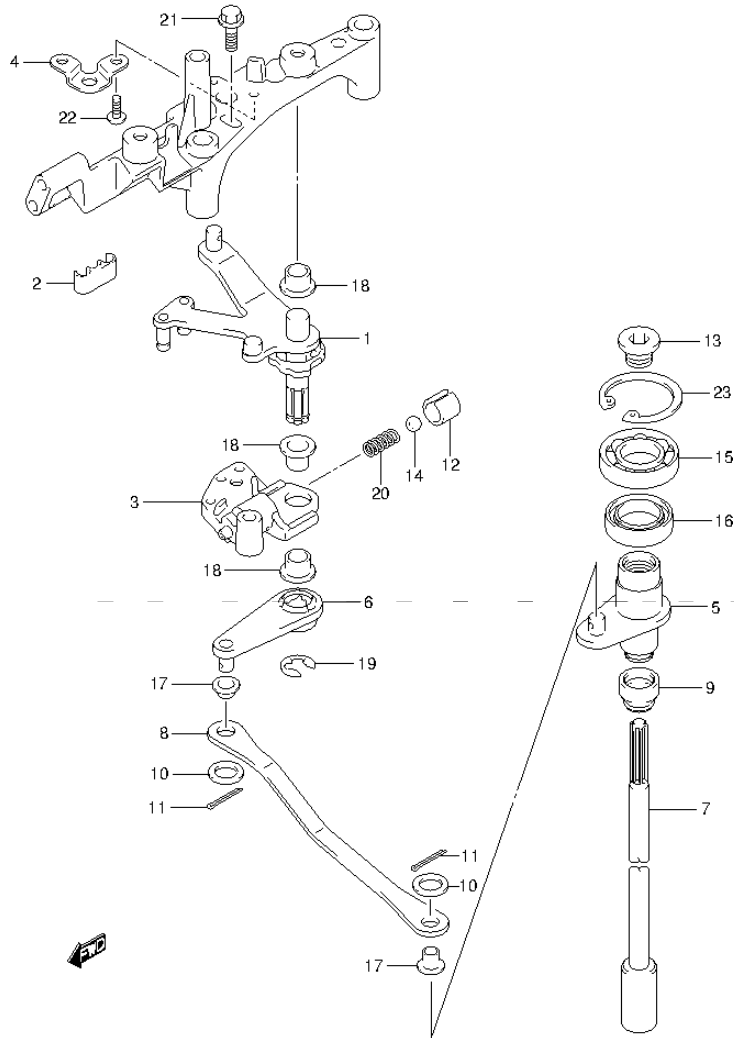


FIG.104 (2-B-12) CLUTCH SHAFT (DF250T E40)

REF NO.	PART NO.	DESCRIPTION	Q'TY	REMARKS
1	21100-93J01	LEVER, CLUTCH	1	
2	21131-93J00	BUSH, CLUTCH LEVER	1	
3	21151-93J00	HOLDER, CLUTCH LEVER	1	
4	21155-93J00	PLATE, SHIFT LEVER	1	
5	21210-93J00	SHAFT, CLUTCH	1	
6	21230-93J00	ARM, CLUTCH SHAFT	1	
7	23111-93J00	ROD, CLUTCH (UL)	1	
8	23115-93J00	LINK, CLUTCH LEVER	1	
9	25223-94400	COVER, CLUTCH ROD	1	
10	09160-06094	WASHER (6.5X15X1.5)	2	
11	09204-01006	PIN	2	
12	09205-10006	SPRING PIN (10.2X10)	1	
13	09248-12011	PLUG (12X9)	1	
14	09260-10005	BALL	1	
15	09262-17019	BEARING (17X35X8)	1	
16	09289-18001	OIL SEAL (18X30X8)	1	
17	09306-06004	BUSH	2	
18	09306-10001	BUSH	3	
19	09383-08004	E RING	1	
20	09440-07051	SPRING	1	
21	01550-06207	BOLT	1	
22	02142-05107	SCREW	2	
23	08331-41359	CIRCLIP	1	

FIG.105

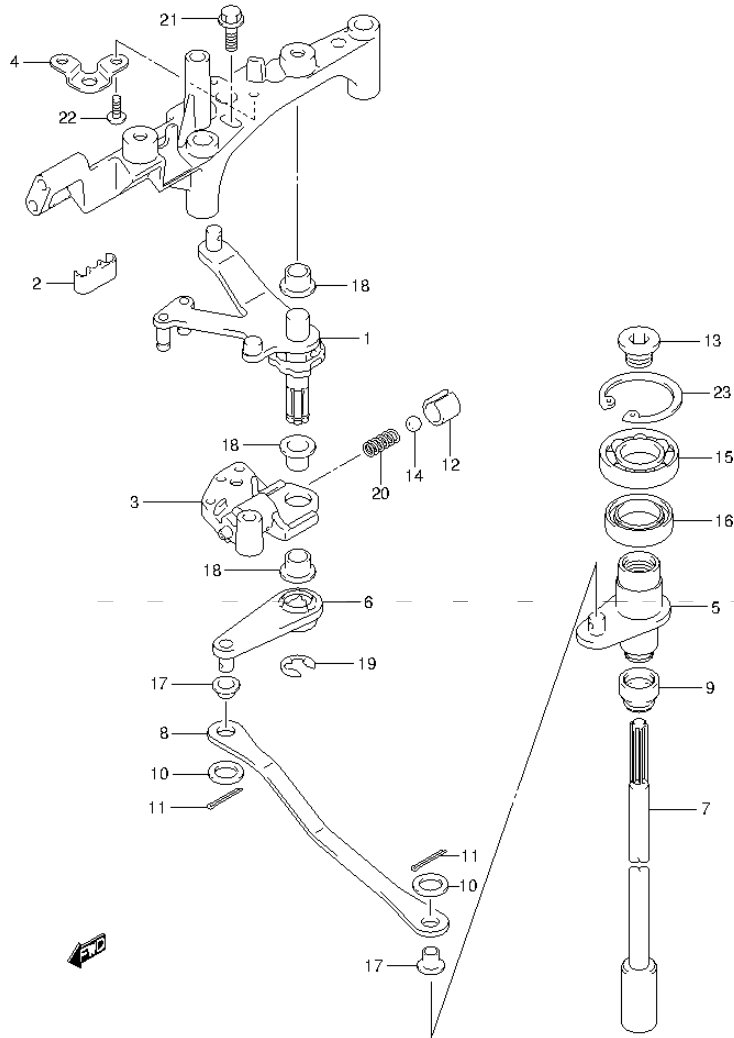


FIG.105 (2-B-13) CLUTCH SHAFT (DF250Z E1)

REF NO.	PART NO.	DESCRIPTION	Q'TY	REMARKS
1	21100-93J01	LEVER, CLUTCH	1	
2	21131-93J00	BUSH, CLUTCH LEVER	1	
3	21151-93J00	HOLDER, CLUTCH LEVER	1	
4	21155-93J00	PLATE, SHIFT LEVER	1	
5	21210-93J00	SHAFT, CLUTCH	1	
6	21230-93J00	ARM, CLUTCH SHAFT	1	
7	23111-93J00	ROD, CLUTCH (UL)	1	
8	23115-93J00	LINK, CLUTCH LEVER	1	
9	25223-94400	COVER, CLUTCH ROD	1	
10	09160-06094	WASHER (6.5X15X1.5)	2	
11	09204-01006	PIN	2	
12	09205-10006	SPRING PIN (10.2X10)	1	
13	09248-12011	PLUG (12X9)	1	
14	09260-10005	BALL	1	
15	09262-17019	BEARING (17X35X8)	1	
16	09289-18001	OIL SEAL (18X30X8)	1	
17	09306-06004	BUSH	2	
18	09306-10001	BUSH	3	
19	09383-08004	E RING	1	
20	09440-07051	SPRING	1	
21	01550-06207	BOLT	1	
22	02142-05107	SCREW	2	
23	08331-41359	CIRCLIP	1	

FIG.106

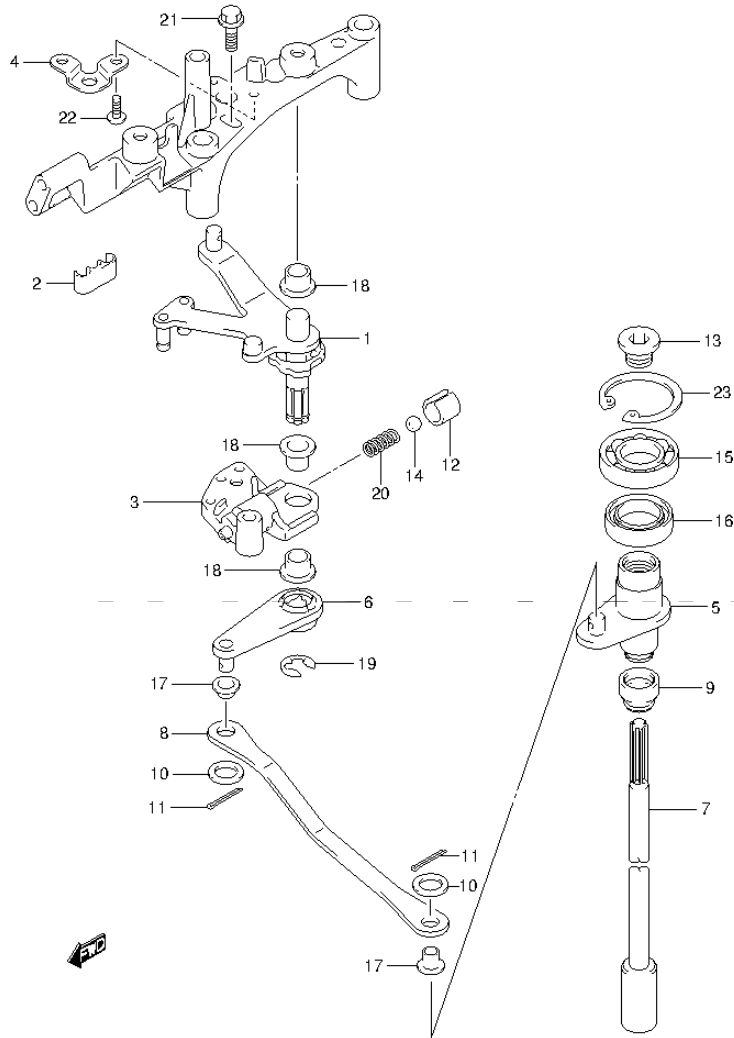


FIG.106 (2-B-14) CLUTCH SHAFT (DF250Z E40)

REF NO.	PART NO.	DESCRIPTION	Q'TY	REMARKS
1	21100-93J01	LEVER, CLUTCH	1	
2	21131-93J00	BUSH, CLUTCH LEVER	1	
3	21151-93J00	HOLDER, CLUTCH LEVER	1	
4	21155-93J00	PLATE, SHIFT LEVER	1	
5	21210-93J00	SHAFT, CLUTCH	1	
6	21230-93J00	ARM, CLUTCH SHAFT	1	
7	23111-93J00	ROD, CLUTCH (UL)	1	
8	23115-93J00	LINK, CLUTCH LEVER	1	
9	25223-94400	COVER, CLUTCH ROD	1	
10	09160-06094	WASHER (6.5X15X1.5)	2	
11	09204-01006	PIN	2	
12	09205-10006	SPRING PIN (10.2X10)	1	
13	09248-12011	PLUG (12X9)	1	
14	09260-10005	BALL	1	
15	09262-17019	BEARING (17X35X8)	1	
16	09289-18001	OIL SEAL (18X30X8)	1	
17	09306-06004	BUSH	2	
18	09306-10001	BUSH	3	
19	09383-08004	E RING	1	
20	09440-07051	SPRING	1	
21	01550-06207	BOLT	1	
22	02142-05107	SCREW	2	
23	08331-41359	CIRCLIP	1	

FIG.107

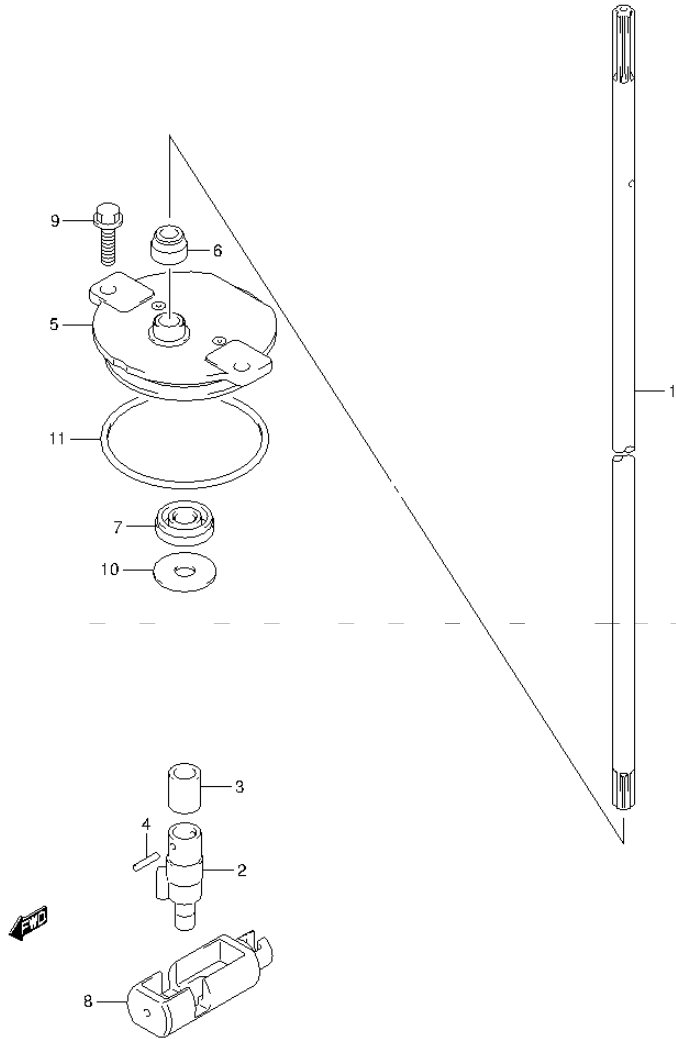


FIG.107 (2-B-15) CLUTCH ROD (DF200T E1)

REF NO.	PART NO.	DESCRIPTION	Q'TY	REMARKS
1-1	25111-93J00	ROD, SHIFT ASSIST (UL)	1	W/TRANSOM(L,X)
1-2	25111-93J10	ROD, SHIFT ASSIST (XX)	1	W/TRANSOM(XX)
2	25131-93J00	YOKE, SHIFTER	1	
3	25232-96302	MAGNET, GEAR CASE	1	
4	09205-02006	SPRING PIN (2X12)	2	
5	25141-93J00	HOUSING, SHIFT ROD GUIDE	1	
6	25223-94400	SEAL, SHIFT ROD DUST	1	
7	09282-08005	OIL SEAL (8X22X7)	1	
8	25321-93J00	SLIDER, SHIFT HORIZONTAL	1	
9	29116-93J00	BOLT, SHIFT ROD HOUSING	2	
10	09160-08151	WASHER (8.5X26X1.6)	1	
11	09280-60007	O RING (D:3.5,ID:59.6)	1	

FIG.108

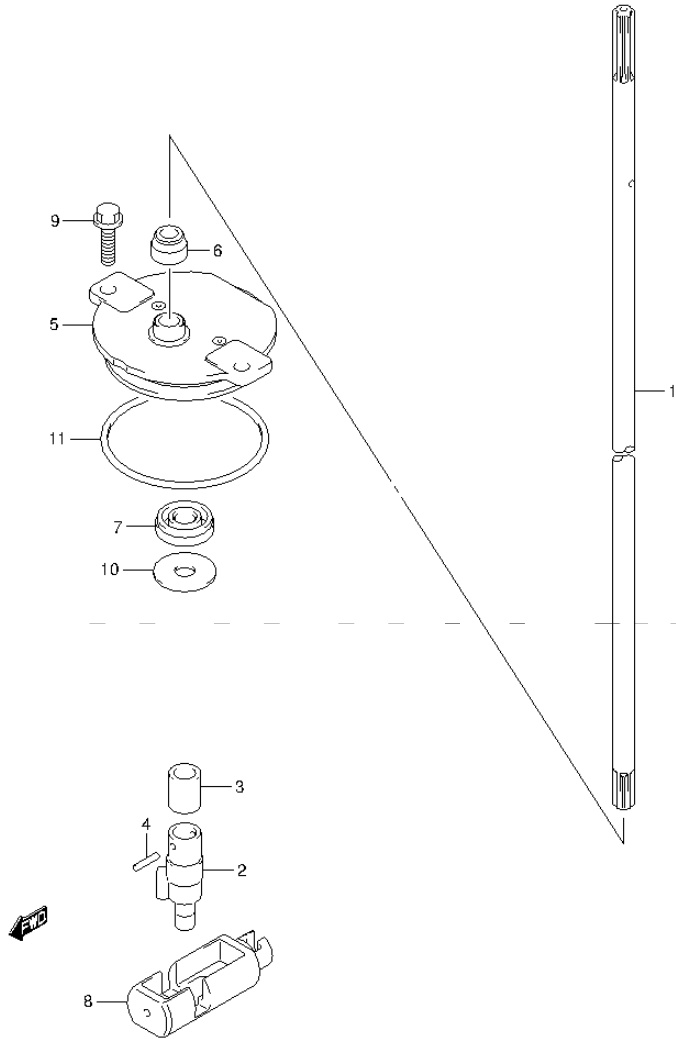


FIG.108 (2-C-2) CLUTCH ROD (DF200T E40)

REF NO.	PART NO.	DESCRIPTION	Q'TY	REMARKS
1	25111-93J00	ROD, SHIFT ASSIST (UL)	1	
2	25131-93J00	YOKE, SHIFTER	1	
3	25232-96302	MAGNET, GEAR CASE	1	
4	09205-02006	SPRING PIN (2X12)	2	
5	25141-93J00	HOUSING, SHIFT ROD GUIDE	1	
6	25223-94400	SEAL, SHIFT ROD DUST	1	
7	09282-08005	OIL SEAL (8X22X7)	1	
8	25321-93J00	SLIDER, SHIFT HORIZONTAL	1	
9	29116-93J00	BOLT, SHIFT ROD HOUSING	2	
10	09160-08151	WASHER (8.5X26X1.6)	1	
11	09280-60007	O RING (D;3.5,ID;59.6)	1	

FIG.109

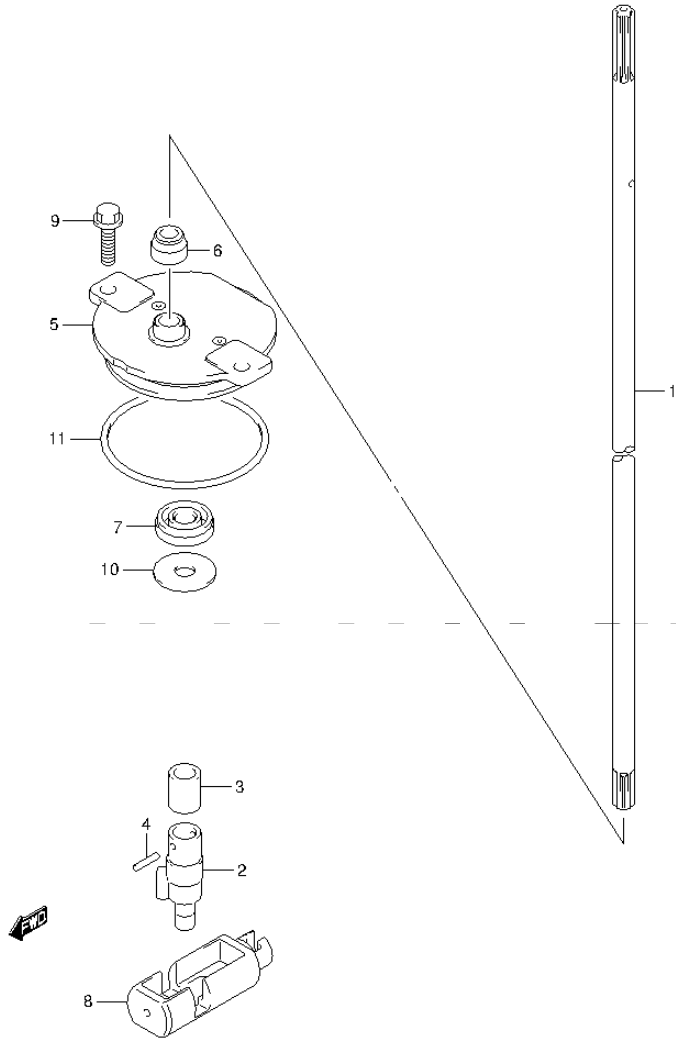


FIG.109 (2-C-3) CLUTCH ROD (DF200Z E1)

REF NO.	PART NO.	DESCRIPTION	Q'TY	REMARKS
1-1	25111-93J00	ROD, SHIFT ASSIST (UL)	1	W/TRANSOM(X)
1-2	25111-93J10	ROD, SHIFT ASSIST (XX)	1	W/TRANSOM(XX)
2	25131-93J00	YOKE, SHIFTER	1	
3	25232-96302	MAGNET, GEAR CASE	1	
4	09205-02006	SPRING PIN (2X12)	2	
5	25141-93J00	HOUSING, SHIFT ROD GUIDE	1	
6	25223-94400	SEAL, SHIFT ROD DUST	1	
7	09282-08005	OIL SEAL (8X22X7)	1	
8	25321-93J00	SLIDER, SHIFT HORIZONTAL	1	
9	29116-93J00	BOLT, SHIFT ROD HOUSING	2	
10	09160-08151	WASHER (8.5X26X1.6)	1	
11	09280-60007	O RING (D:3.5,ID:59.6)	1	

FIG.110

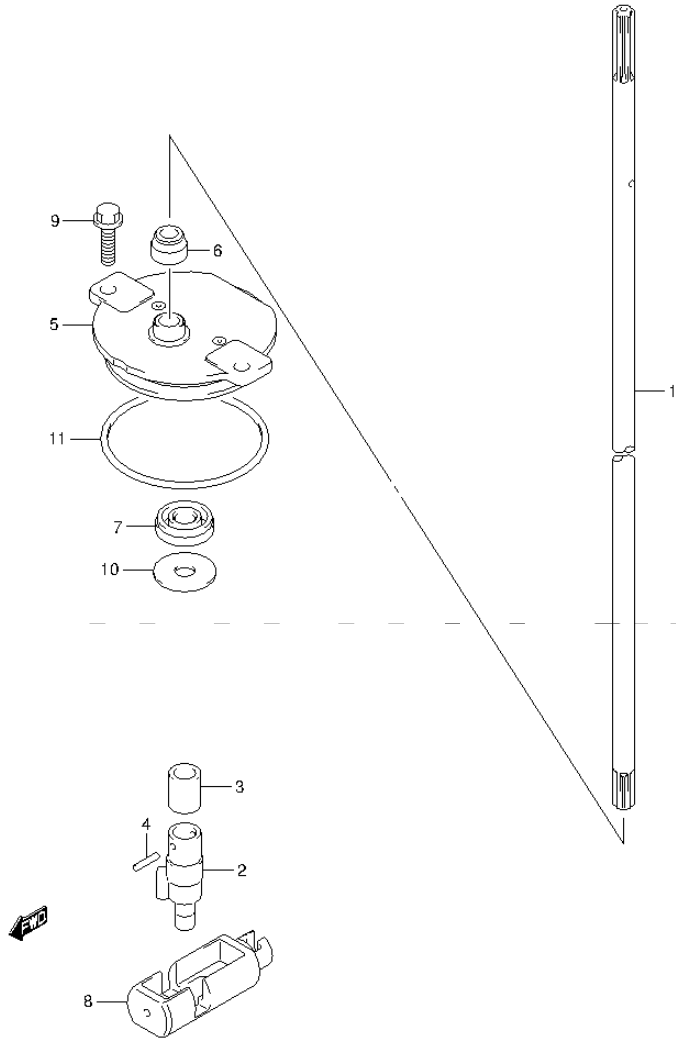


FIG.110 (2-C-4) CLUTCH ROD (DF200Z E40)

REF NO.	PART NO.	DESCRIPTION	Q'TY	REMARKS
1	25111-93J00	ROD, SHIFT ASSIST (UL)	1	
2	25131-93J00	YOKE, SHIFTER	1	
3	25232-96302	MAGNET, GEAR CASE	1	
4	09205-02006	SPRING PIN (2X12)	2	
5	25141-93J00	HOUSING, SHIFT ROD GUIDE	1	
6	25223-94400	SEAL, SHIFT ROD DUST	1	
7	09282-08005	OIL SEAL (8X22X7)	1	
8	25321-93J00	SLIDER, SHIFT HORIZONTAL	1	
9	29116-93J00	BOLT, SHIFT ROD HOUSING	2	
10	09160-08151	WASHER (8.5X26X1.6)	1	
11	09280-60007	O RING (D;3.5,ID:59.6)	1	

FIG.111

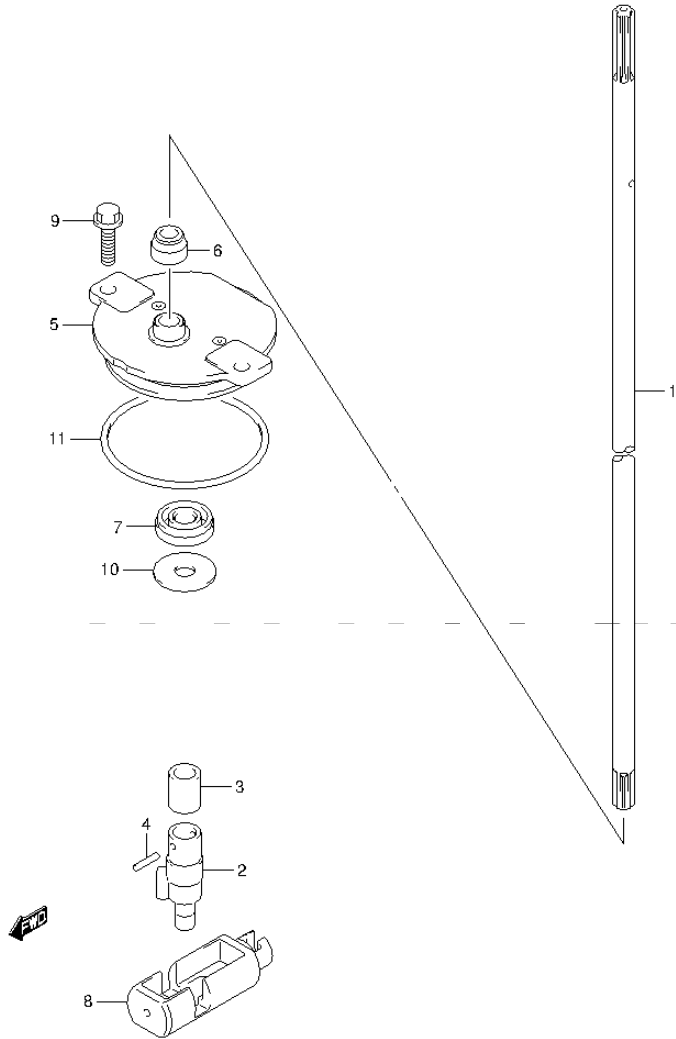


FIG.111 (2-C-5) CLUTCH ROD (DF225T E1)

REF NO.	PART NO.	DESCRIPTION	Q'TY	REMARKS
1-1	25111-93J00	ROD, SHIFT ASSIST (UL)	1	W/TRANSOM(X)
1-2	25111-93J10	ROD, SHIFT ASSIST (XX)	1	W/TRANSOM(XX)
2	25131-93J00	YOKE, SHIFTER	1	
3	25232-96302	MAGNET, GEAR CASE	1	
4	09205-02006	SPRING PIN (2X12)	2	
5	25141-93J00	HOUSING, SHIFT ROD GUIDE	1	
6	25223-94400	SEAL, SHIFT ROD DUST	1	
7	09282-08005	OIL SEAL (8X22X7)	1	
8	25321-93J00	SLIDER, SHIFT HORIZONTAL	1	
9	29116-93J00	BOLT, SHIFT ROD HOUSING	2	
10	09160-08151	WASHER (8.5X26X1.6)	1	
11	09280-60007	O RING (D:3.5,ID:59.6)	1	

FIG.112

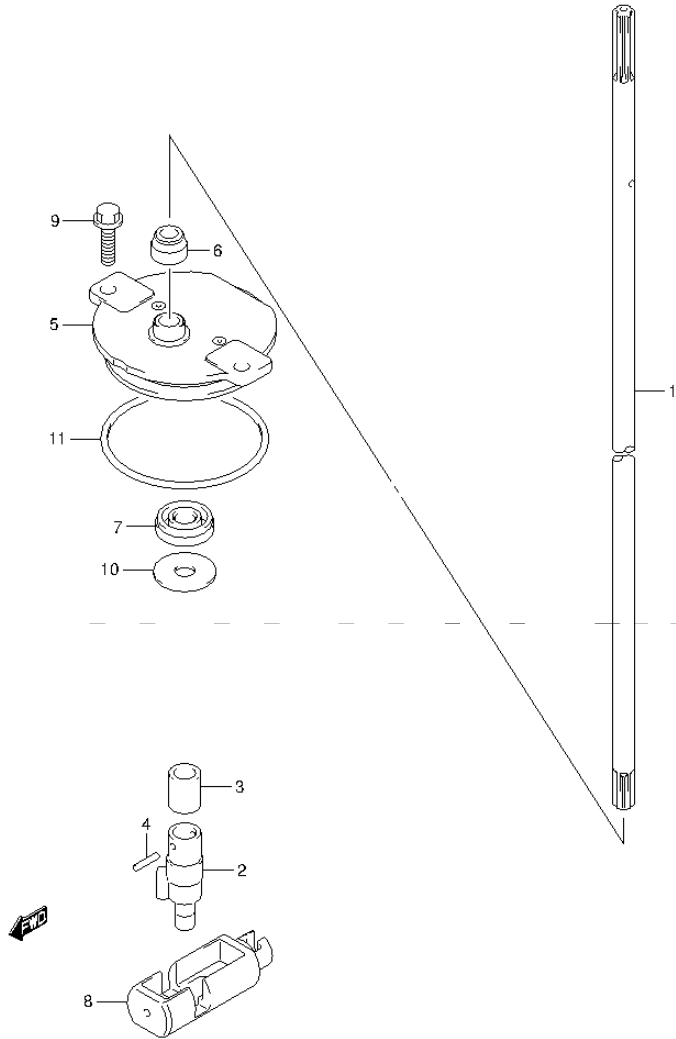


FIG.112 (2-C-6) CLUTCH ROD (DF225T E40)

REF NO.	PART NO.	DESCRIPTION	Q'TY	REMARKS
1-1	25111-93J00	ROD, SHIFT ASSIST (UL)	1	W/TRANSOM(X)
1-2	25111-93J10	ROD, SHIFT ASSIST (XX)	1	W/TRANSOM(XX)
2	25131-93J00	YOKE, SHIFTER	1	
3	25232-96302	MAGNET, GEAR CASE	1	
4	09205-02006	SPRING PIN (2X12)	2	
5	25141-93J00	HOUSING, SHIFT ROD GUIDE	1	
6	25223-94400	SEAL, SHIFT ROD DUST	1	
7	09282-08005	OIL SEAL (8X22X7)	1	
8	25321-93J00	SLIDER, SHIFT HORIZONTAL	1	
9	29116-93J00	BOLT, SHIFT ROD HOUSING	2	
10	09160-08151	WASHER (8.5X26X1.6)	1	
11	09280-60007	O RING (D:3.5,ID:59.6)	1	

FIG.113

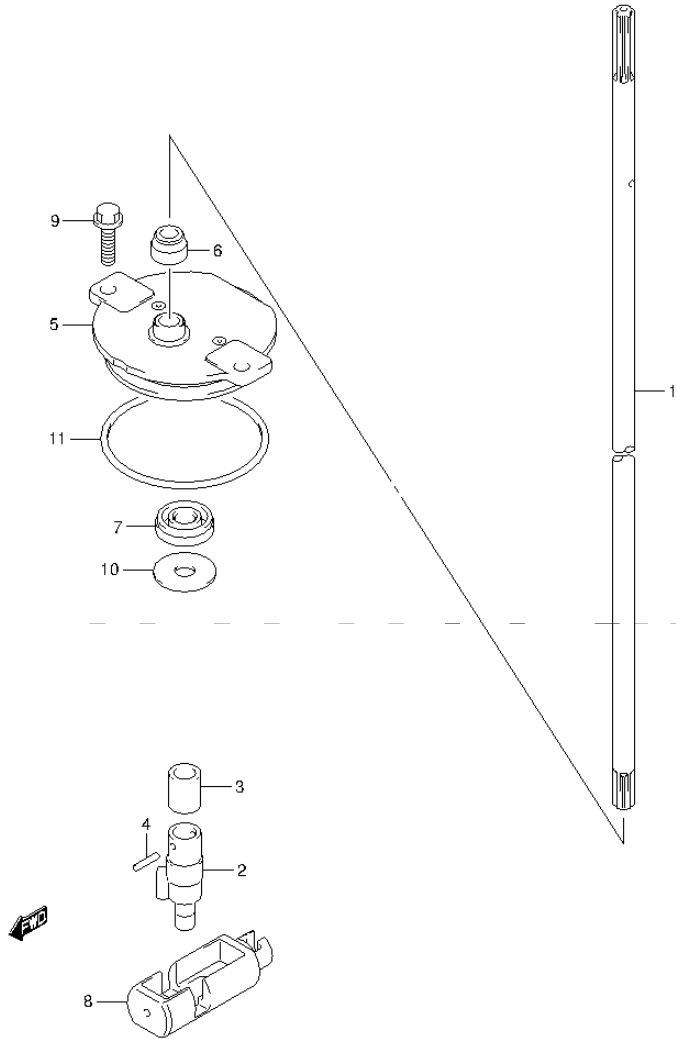


FIG.113 (2-C-7) CLUTCH ROD (DF225Z E1)

REF NO.	PART NO.	DESCRIPTION	Q'TY	REMARKS
1-1	25111-93J00	ROD, SHIFT ASSIST (UL)	1	W/TRANSOM(X)
1-2	25111-93J10	ROD, SHIFT ASSIST (XX)	1	W/TRANSOM(XX)
2	25131-93J00	YOKE, SHIFTER	1	
3	25232-96302	MAGNET, GEAR CASE	1	
4	09205-02006	SPRING PIN (2X12)	2	
5	25141-93J00	HOUSING, SHIFT ROD GUIDE	1	
6	25223-94400	SEAL, SHIFT ROD DUST	1	
7	09282-08005	OIL SEAL (8X22X7)	1	
8	25321-93J00	SLIDER, SHIFT HORIZONTAL	1	
9	29116-93J00	BOLT, SHIFT ROD HOUSING	2	
10	09160-08151	WASHER (8.5X26X1.6)	1	
11	09280-60007	O RING (D:3.5,ID:59.6)	1	

FIG.114

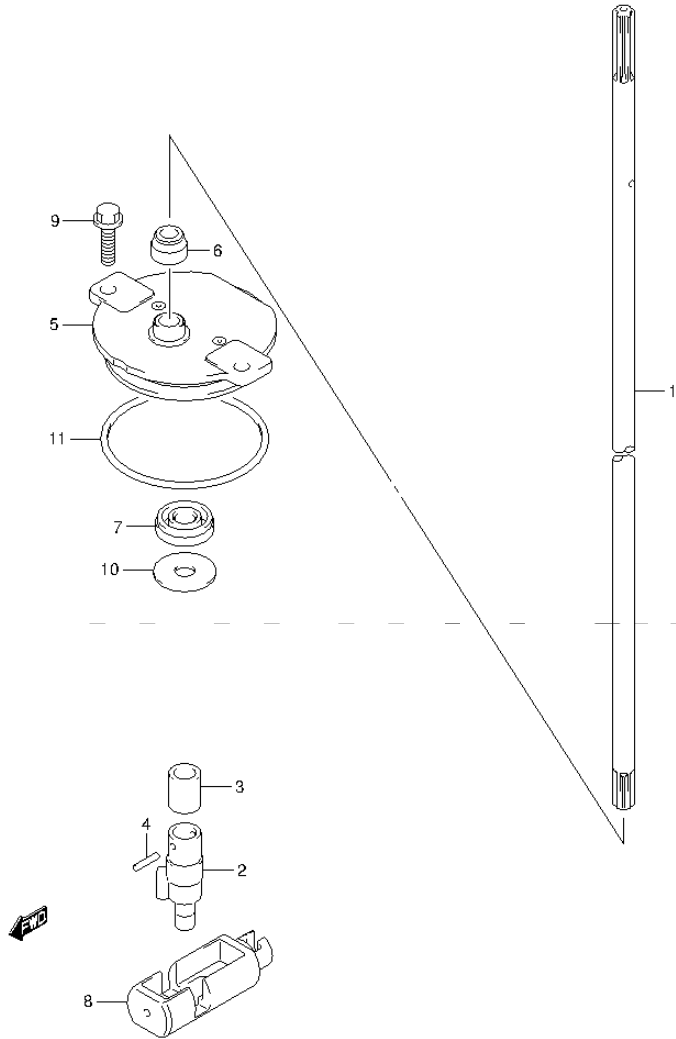


FIG.114 (2-C-8) CLUTCH ROD (DF225Z E40)

REF NO.	PART NO.	DESCRIPTION	Q'TY	REMARKS
1-1	25111-93J00	ROD, SHIFT ASSIST (UL)	1	W/TRANSOM(X)
1-2	25111-93J10	ROD, SHIFT ASSIST (XX)	1	W/TRANSOM(XX)
2	25131-93J00	YOKE, SHIFTER	1	
3	25232-96302	MAGNET, GEAR CASE	1	
4	09205-02006	SPRING PIN (2X12)	2	
5	25141-93J00	HOUSING, SHIFT ROD GUIDE	1	
6	25223-94400	SEAL, SHIFT ROD DUST	1	
7	09282-08005	OIL SEAL (8X22X7)	1	
8	25321-93J00	SLIDER, SHIFT HORIZONTAL	1	
9	29116-93J00	BOLT, SHIFT ROD HOUSING	2	
10	09160-08151	WASHER (8.5X26X1.6)	1	
11	09280-60007	O RING (D:3.5,ID:59.6)	1	

FIG.115

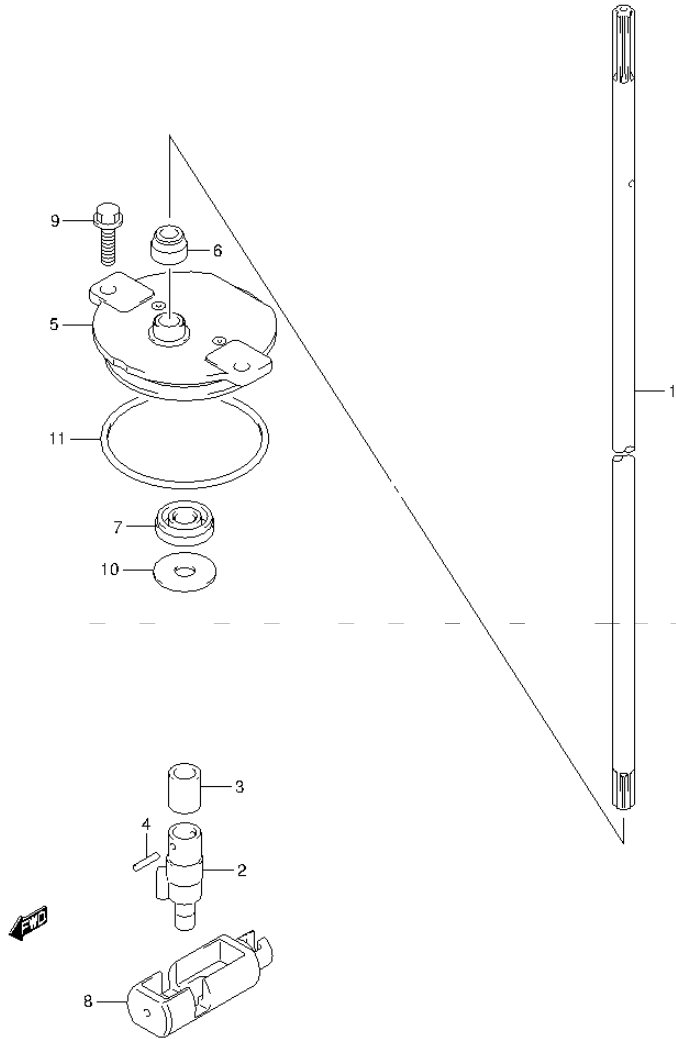


FIG.115 (2-C-9) CLUTCH ROD (DF250T E1)

REF NO.	PART NO.	DESCRIPTION	Q'TY	REMARKS
1-1	25111-93J00	ROD, SHIFT ASSIST (UL)	1	W/TRANSOM(X)
1-2	25111-93J10	ROD, SHIFT ASSIST (XX)	1	W/TRANSOM(XX)
2	25131-93J00	YOKE, SHIFTER	1	
3	25232-96302	MAGNET, GEAR CASE	1	
4	09205-02006	SPRING PIN (2X12)	2	
5	25141-93J00	HOUSING, SHIFT ROD GUIDE	1	
6	25223-94400	SEAL, SHIFT ROD DUST	1	
7	09282-08005	OIL SEAL (8X22X7)	1	
8	25321-93J00	SLIDER, SHIFT HORIZONTAL	1	
9	29116-93J00	BOLT, SHIFT ROD HOUSING	2	
10	09160-08151	WASHER (8.5X26X1.6)	1	
11	09280-60007	O RING (D:3.5,ID:59.6)	1	

FIG.116

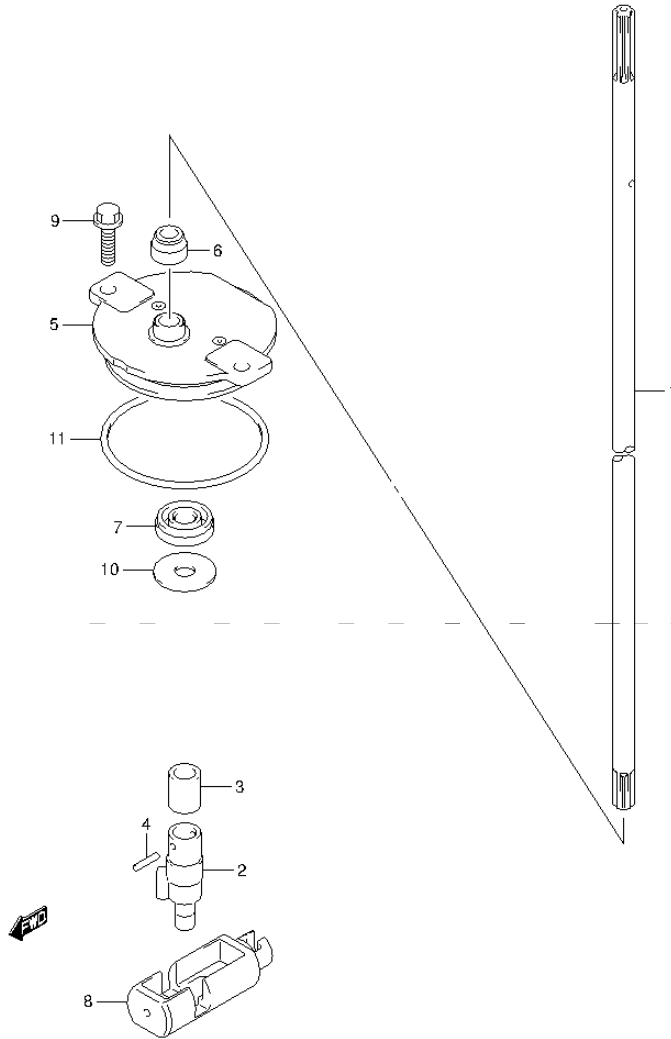


FIG.116 (2-C-10) CLUTCH ROD (DF250T E40)

REF NO.	PART NO.	DESCRIPTION	Q'TY	REMARKS
1-1	25111-93J00	ROD, SHIFT ASSIST (UL)	1	W/TRANSOM(X)
1-2	25111-93J10	ROD, SHIFT ASSIST (XX)	1	W/TRANSOM(XX)
2	25131-93J00	YOKE, SHIFTER	1	
3	25232-96302	MAGNET, GEAR CASE	1	
4	09205-02006	SPRING PIN (2X12)	2	
5	25141-93J00	HOUSING, SHIFT ROD GUIDE	1	
6	25223-94400	SEAL, SHIFT ROD DUST	1	
7	09282-08005	OIL SEAL (8X22X7)	1	
8	25321-93J00	SLIDER, SHIFT HORIZONTAL	1	
9	29116-93J00	BOLT, SHIFT ROD HOUSING	2	
10	09160-08151	WASHER (8.5X26X1.6)	1	
11	09280-60007	O RING (D:3.5,ID:59.6)	1	

FIG.117

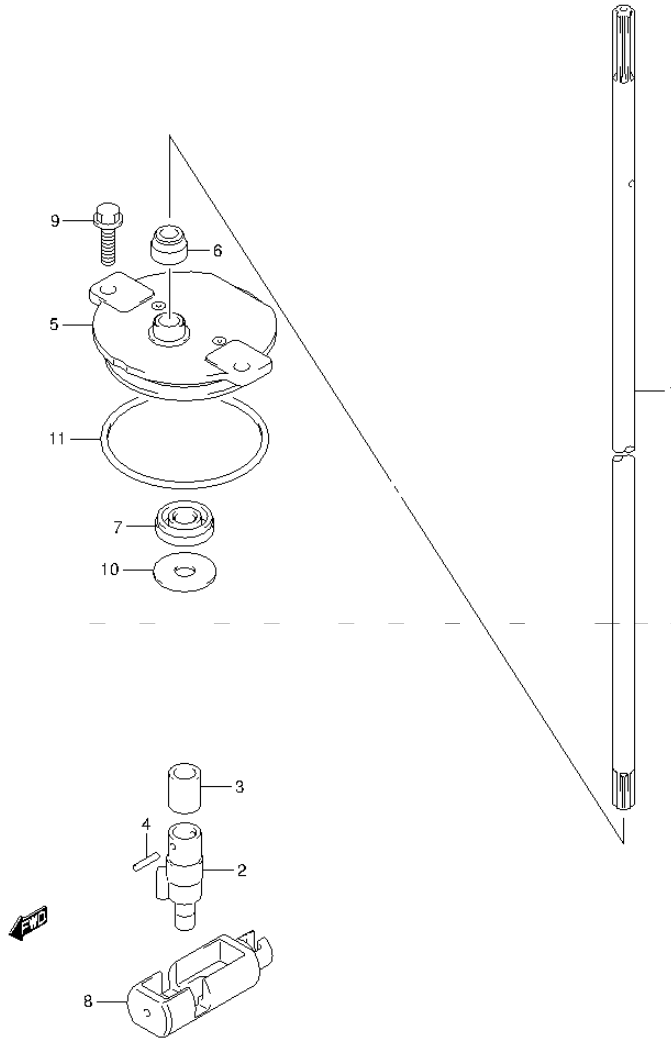


FIG.117 (2-C-11) CLUTCH ROD (DF250Z E1)

REF NO.	PART NO.	DESCRIPTION	Q'TY	REMARKS
1-1	25111-93J00	ROD, SHIFT ASSIST (UL)	1	W/TRANSOM(X)
1-2	25111-93J10	ROD, SHIFT ASSIST (XX)	1	W/TRANSOM(XX)
2	25131-93J00	YOKE, SHIFTER	1	
3	25232-96302	MAGNET, GEAR CASE	1	
4	09205-02006	SPRING PIN (2X12)	2	
5	25141-93J00	HOUSING, SHIFT ROD GUIDE	1	
6	25223-94400	SEAL, SHIFT ROD DUST	1	
7	09282-08005	OIL SEAL (8X22X7)	1	
8	25321-93J00	SLIDER, SHIFT HORIZONTAL	1	
9	29116-93J00	BOLT, SHIFT ROD HOUSING	2	
10	09160-08151	WASHER (8.5X26X1.6)	1	
11	09280-60007	O RING (D:3.5,ID:59.6)	1	

FIG.118

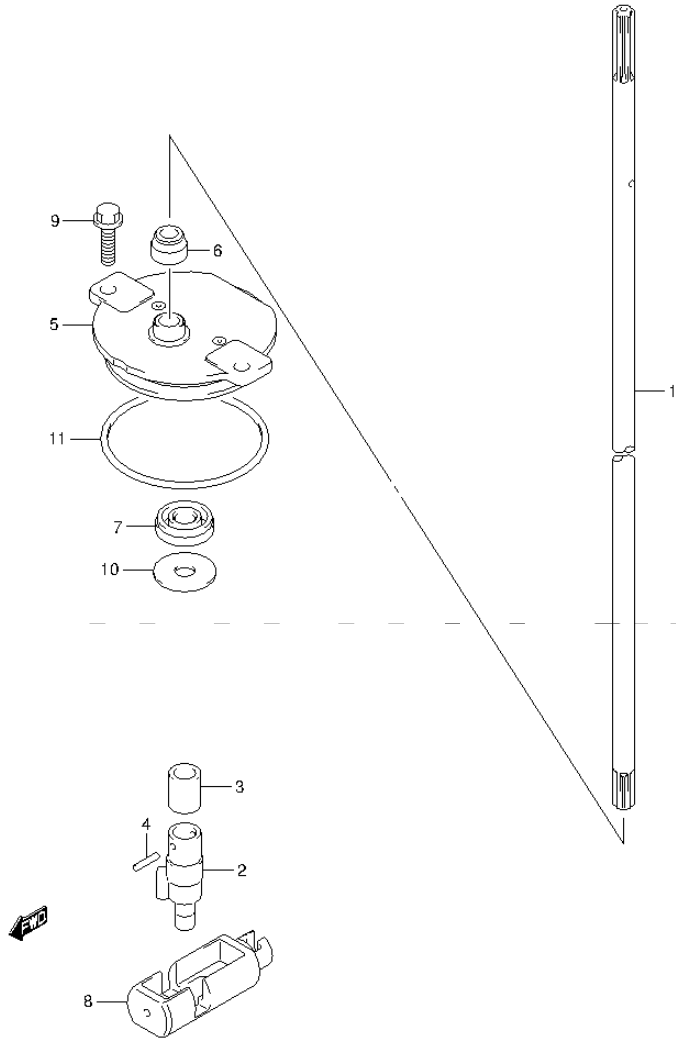


FIG.118 (2-C-12) CLUTCH ROD (DF250Z E40)

REF NO.	PART NO.	DESCRIPTION	Q'TY	REMARKS
1-1	25111-93J00	ROD, SHIFT ASSIST (UL)	1	W/TRANSOM(X)
1-2	25111-93J10	ROD, SHIFT ASSIST (XX)	1	W/TRANSOM(XX)
2	25131-93J00	YOKE, SHIFTER	1	
3	25232-96302	MAGNET, GEAR CASE	1	
4	09205-02006	SPRING PIN (2X12)	2	
5	25141-93J00	HOUSING, SHIFT ROD GUIDE	1	
6	25223-94400	SEAL, SHIFT ROD DUST	1	
7	09282-08005	OIL SEAL (8X22X7)	1	
8	25321-93J00	SLIDER, SHIFT HORIZONTAL	1	
9	29116-93J00	BOLT, SHIFT ROD HOUSING	2	
10	09160-08151	WASHER (8.5X26X1.6)	1	
11	09280-60007	O RING (D:3.5,ID:59.6)	1	

FIG.119

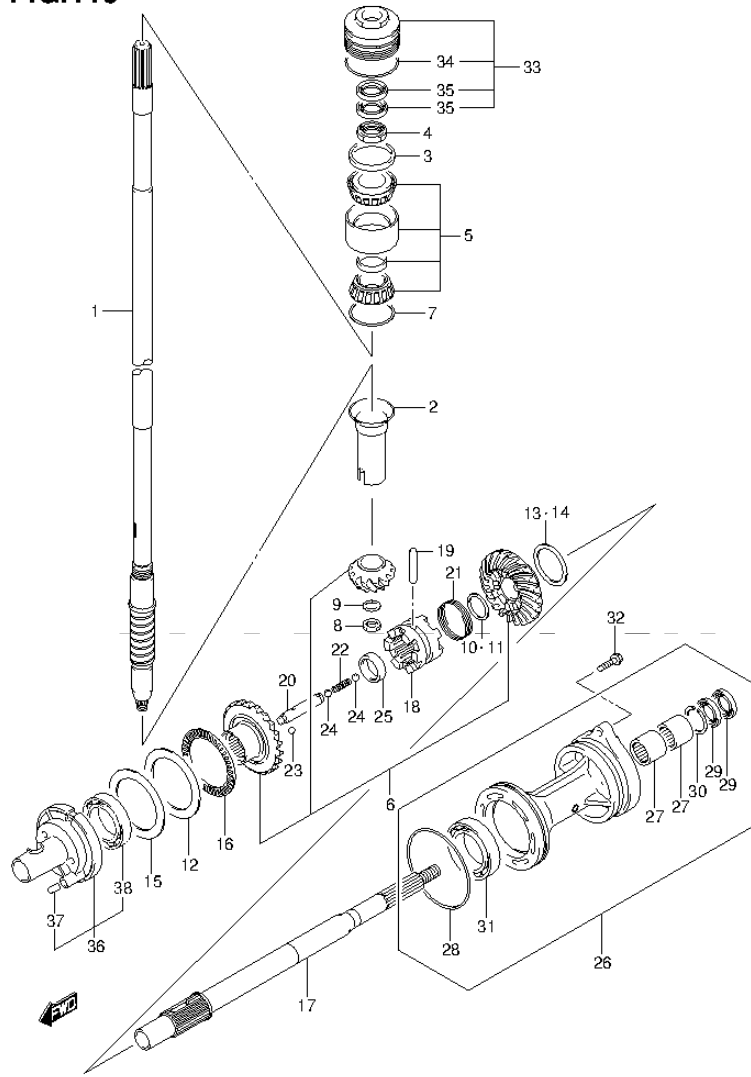


FIG.119 (2-C-13) TRANSMISSION (DF200T E1)

REF NO.	PART NO.	DESCRIPTION	Q'TY	REMARKS
1-1	57110-93J00	SHAFT, DRIVE (X)	1	W/TRANSOM(X)
1-2	57110-93J10	SHAFT, DRIVE (XX)	1	W/TRANSOM(XX)
1-3	57110-96J20	SHAFT, DRIVE (L)	1	W/TRANSOM(L)
2	57133-93J00	COLLAR, DRIVE SHAFT	1	
3	57134-93J00	SPACER, DRIVE SHAFT BEARING	1	
4	09159-28003	NUT	1	
5	09269-32001	BEARING (32X66X49)	1	
6	57300-93841	PINION/GEAR SET	1	
7-1	09181-60004	SHIM (60X66X0.45)	1	
7-2	09181-60005	SHIM (60X66X0.5)	1	
7-3	09181-60006	SHIM (60X66X0.55)	1	
7-4	09181-60007	SHIM (60X66X0.6)	1	
7-5	09181-60008	SHIM (60X66X0.65)	1	
7-6	09181-60009	SHIM (60X66X0.7)	1	
7-7	09181-60010	SHIM (60X66X0.75)	1	
7-8	09181-60011	SHIM (60X66X0.8)	1	
7-9	09181-60012	SHIM (60X66X0.85)	1	
7-10	09181-60013	SHIM (60X66X0.9)	1	
8	09140-16021	NUT	1	
9	08221-16256	WASHER	1	
10	57500-87861	SHIM SET, PROP SHAFT REV	1	
11-1	08211-30382	WASHER (30X38X1.5)	1	
11-2	09160-30036	WASHER (30X38X1.7)	1	
11-3	09160-30037	WASHER (30X38X1.9)	1	
11-4	09160-30038	WASHER (30X38X2.1)	1	
11-5	08211-30384	WASHER (30X38X2.2)	1	
11-6	09160-30039	WASHER (30X38X2.3)	1	
11-7	09160-30041	WASHER (30X38X2.4)	1	
11-8	08211-30385	WASHER (30X38X2.5)	1	
11-9	09160-30042	WASHER (30X38X2.6)	1	
11-10	09160-30043	WASHER (30X38X2.7)	1	
11-11	09160-30044	WASHER (30X38X2.8)	1	
12	09160-75002	WASHER (75X100X2)	1	FWD GEAR
13	57500-87852	SHIM SET, REV GEAR	1	

FIG.119

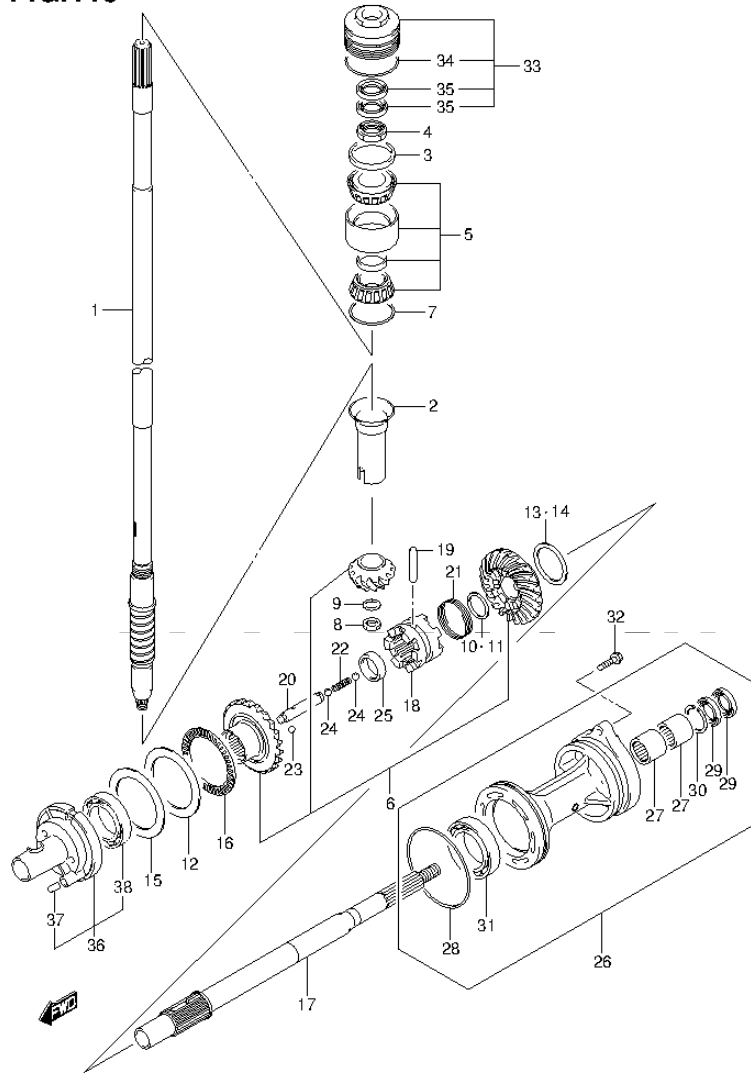


FIG.119 (2-C-14) TRANSMISSION (DF200T E1)

REF NO.	PART NO.	DESCRIPTION	Q'TY	REMARKS
14-1	09181-50013	SHIM (50X62X1)	1	REV GEAR
14-2	09181-50012	SHIM (50X62X1.1)	1	REV GEAR
14-3	09181-50005	SHIM (50X62X1.2)	1	REV GEAR
14-4	09181-50006	SHIM (50X62X1.3)	1	REV GEAR
14-5	09181-50007	SHIM (50X62X1.4)	1	REV GEAR
14-6	09181-50008	SHIM (50X62X1.5)	1	REV GEAR
14-7	09181-50009	SHIM (50X62X1.6)	1	REV GEAR
14-8	09181-50010	SHIM (50X62X1.7)	1	REV GEAR
15-1	09181-75018	SHIM (75X100X0.5)	1	FWD GEAR
15-2	09181-75019	SHIM (75X100X0.55)	1	FWD GEAR
15-3	09181-75012	SHIM (75X100X0.6)	1	FWD GEAR
15-4	09181-75013	SHIM (75X100X0.65)	1	FWD GEAR
15-5	09181-75008	SHIM (75X100X0.7)	1	FWD GEAR
15-6	09181-75014	SHIM (75X100X0.75)	1	FWD GEAR
15-7	09181-75009	SHIM (75X100X0.8)	1	FWD GEAR
15-8	09181-75015	SHIM (75X100X0.85)	1	FWD GEAR
15-9	09181-75010	SHIM (75X100X0.9)	1	FWD GEAR
15-10	09181-75016	SHIM (75X100X0.95)	1	FWD GEAR
15-11	09181-75011	SHIM (75X100X1)	1	FWD GEAR
16	09269-75002	BEARING (75X100X4)	1	
17	57610-93J00	SHAFT, PROPELLER	1	
18	57621-93J10	SHIFTER, CLUTCH DOG	1	
19	09202-08007	PIN (8X49)	1	
20	57631-93J00	PIN, CONNECTOR	1	
21	09440-52003	SPRING	1	
22	09440-09040	SPRING	1	
23	06111-07004	BALL	2	
24	06111-11004	BALL	2	
25	09180-25082	SPACER (25X36.5X9.5)	1	
26	56120-93J03-0EP	HOUSING, PROP SFT BRG (BLACK)	1	
27	09263-30023	BEARING (30X40X25)	2	
28	09280-00040	O RING (D:3.1,ID:104.4)	1	
29	09282-30006	OIL SEAL (30X45X6)	2	
30	09381-40003	CIRCLIP	1	

FIG.119

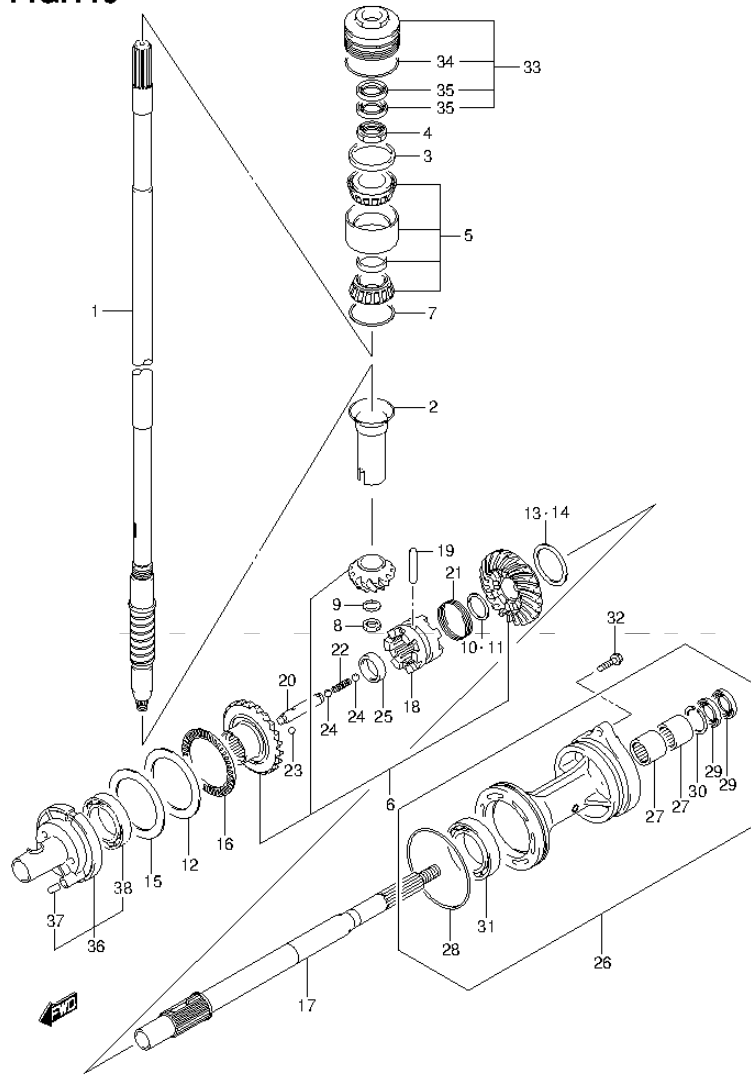


FIG.119 (2-C-15) TRANSMISSION (DF200T E1)

REF NO.	PART NO.	DESCRIPTION	Q'TY	REMARKS
31	08113-60100	BEARING	1	
32	09116-08158	BOLT (8X35)	2	
33	56130-93J01	HOUSING, DRIVE SHAFT BRG	1	
34	09280-66004	O RING (D:3.1,ID:65.4)	1	
35	09282-24004	OIL SEAL (24X40X7)	2	
36	56140-93J01	HOUSING, FWD GEAR BRG	1	
37	04221-08129	PIN	1	
38	09263-50009	BEARING (50X65X25)	1	

FIG.120

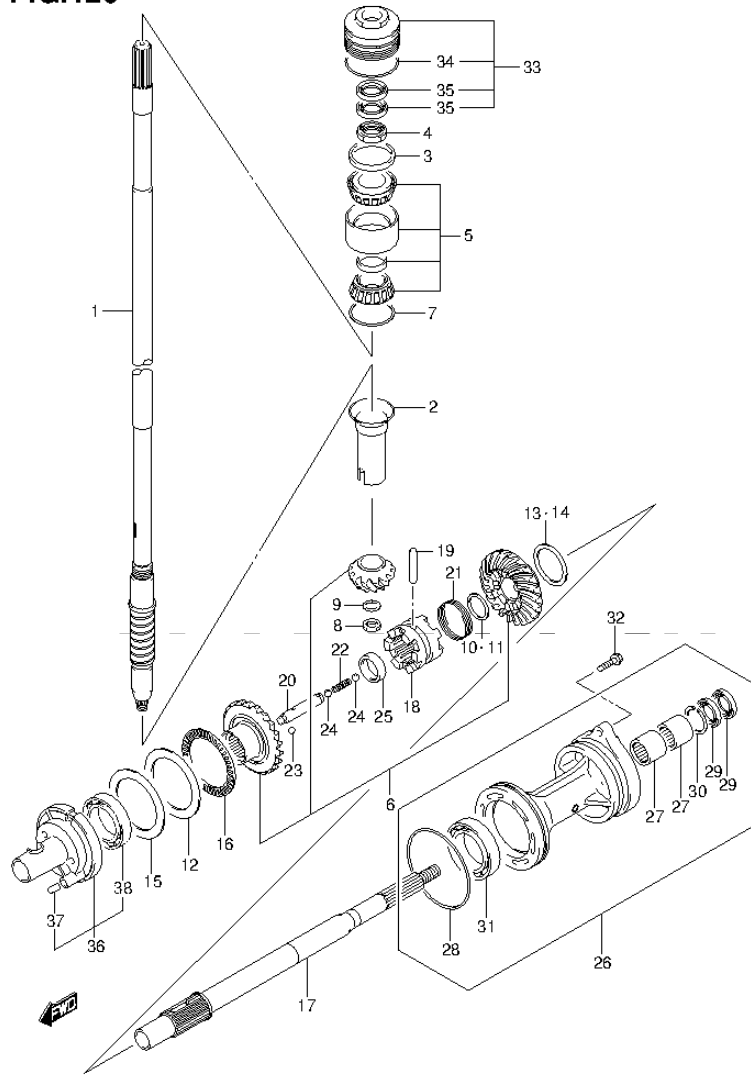


FIG.120 (2-D-2) TRANSMISSION (DF200T E40)

REF NO.	PART NO.	DESCRIPTION	Q'TY	REMARKS
1-1	57110-93J00	SHAFT, DRIVE (X)	1	W/TRANSOM(X)
1-2	57110-96J20	SHAFT, DRIVE (L)	1	W/TRANSOM(L)
2	57133-93J00	COLLAR, DRIVE SHAFT	1	
3	57134-93J00	SPACER, DRIVE SHAFT BEARING	1	
4	09159-28003	NUT	1	
5	09269-32001	BEARING (32X66X49)	1	
6	57300-93841	PINION/GEAR SET	1	
7-1	09181-60004	SHIM (60X66X0.45)	1	
7-2	09181-60005	SHIM (60X66X0.5)	1	
7-3	09181-60006	SHIM (60X66X0.55)	1	
7-4	09181-60007	SHIM (60X66X0.6)	1	
7-5	09181-60008	SHIM (60X66X0.65)	1	
7-6	09181-60009	SHIM (60X66X0.7)	1	
7-7	09181-60010	SHIM (60X66X0.75)	1	
7-8	09181-60011	SHIM (60X66X0.8)	1	
7-9	09181-60012	SHIM (60X66X0.85)	1	
7-10	09181-60013	SHIM (60X66X0.9)	1	
8	09140-16021	NUT	1	
9	08221-16256	WASHER	1	
10	57500-87861	SHIM SET, PROP SHAFT REV	1	
11-1	08211-30382	WASHER (30X38X1.5)	1	
11-2	09160-30036	WASHER (30X38X1.7)	1	
11-3	09160-30037	WASHER (30X38X1.9)	1	
11-4	09160-30038	WASHER (30X38X2.1)	1	
11-5	08211-30384	WASHER (30X38X2.2)	1	
11-6	09160-30039	WASHER (30X38X2.3)	1	
11-7	09160-30041	WASHER (30X38X2.4)	1	
11-8	08211-30385	WASHER (30X38X2.5)	1	
11-9	09160-30042	WASHER (30X38X2.6)	1	
11-10	09160-30043	WASHER (30X38X2.7)	1	
11-11	09160-30044	WASHER (30X38X2.8)	1	
12	09160-75002	WASHER (75X100X2)	1	FWD GEAR
13	57500-87852	SHIM SET, REV GEAR	1	
14-1	09181-50013	SHIM (50X62X1)	1	REV GEAR

FIG.120

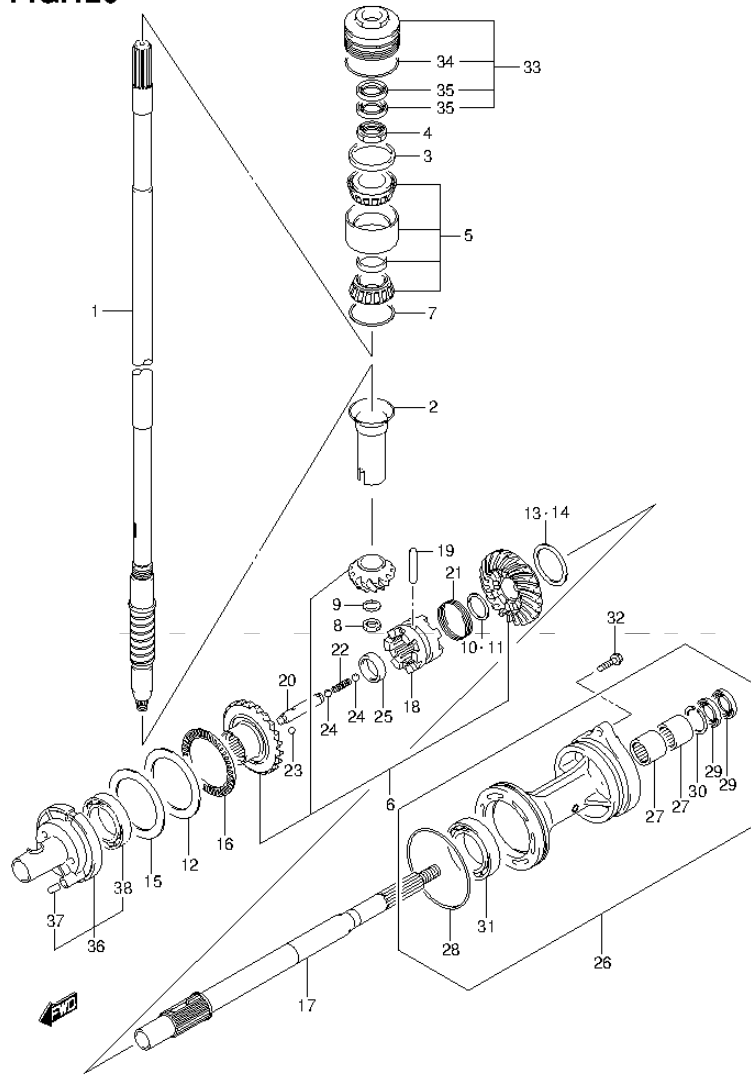


FIG.120 (2-D-3) TRANSMISSION (DF200T E40)

REF NO.	PART NO.	DESCRIPTION	Q'TY	REMARKS
14-2	09181-50012	SHIM (50X62X1.1)	1	REV GEAR
14-3	09181-50005	SHIM (50X62X1.2)	1	REV GEAR
14-4	09181-50006	SHIM (50X62X1.3)	1	REV GEAR
14-5	09181-50007	SHIM (50X62X1.4)	1	REV GEAR
14-6	09181-50008	SHIM (50X62X1.5)	1	REV GEAR
14-7	09181-50009	SHIM (50X62X1.6)	1	REV GEAR
14-8	09181-50010	SHIM (50X62X1.7)	1	REV GEAR
15-1	09181-75018	SHIM (75X100X0.5)	1	FWD GEAR
15-2	09181-75019	SHIM (75X100X0.55)	1	FWD GEAR
15-3	09181-75012	SHIM (75X100X0.6)	1	FWD GEAR
15-4	09181-75013	SHIM (75X100X0.65)	1	FWD GEAR
15-5	09181-75008	SHIM (75X100X0.7)	1	FWD GEAR
15-6	09181-75014	SHIM (75X100X0.75)	1	FWD GEAR
15-7	09181-75009	SHIM (75X100X0.8)	1	FWD GEAR
15-8	09181-75015	SHIM (75X100X0.85)	1	FWD GEAR
15-9	09181-75010	SHIM (75X100X0.9)	1	FWD GEAR
15-10	09181-75016	SHIM (75X100X0.95)	1	FWD GEAR
15-11	09181-75011	SHIM (75X100X1)	1	FWD GEAR
16	09269-75002	BEARING (75X100X4)	1	
17	57610-93J00	SHAFT, PROPELLER	1	
18	57621-93J10	SHIFTER, CLUTCH DOG	1	
19	09202-08007	PIN (8X49)	1	
20	57631-93J00	PIN, CONNECTOR	1	
21	09440-52003	SPRING	1	
22	09440-09040	SPRING	1	
23	06111-07004	BALL	2	
24	06111-11004	BALL	2	
25	09180-25082	SPACER (25X36.5X9.5)	1	
26	56120-93J03-0EP	HOUSING, PROP SFT BRG (BLACK)	1	
27	09263-30023	BEARING (30X40X25)	2	
28	09280-00040	O RING (D:3.1,ID:104.4)	1	
29	09282-30006	OIL SEAL (30X45X6)	2	
30	09381-40003	CIRCLIP	1	
31	08113-60100	BEARING	1	

FIG.120

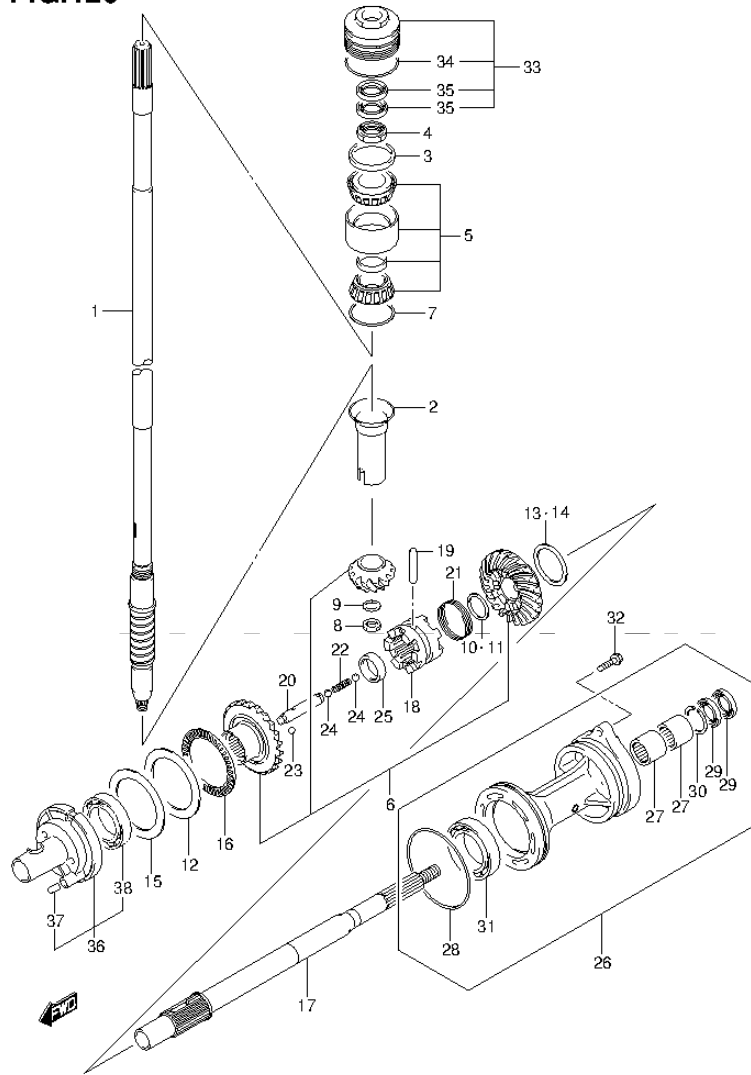


FIG.120 (2-D-4) TRANSMISSION (DF200T E40)

REF NO.	PART NO.	DESCRIPTION	Q'TY	REMARKS
32	09116-08158	BOLT (8X35)	2	
33	56130-93J01	HOUSING, DRIVE SHAFT BRG	1	
34	09280-66004	O RING (D:3.1,ID:65.4)	1	
35	09282-24004	OIL SEAL (24X40X7)	2	
36	56140-93J01	HOUSING, FWD GEAR BRG	1	
37	04221-08129	PIN	1	
38	09263-50009	BEARING (50X65X25)	1	

FIG.121

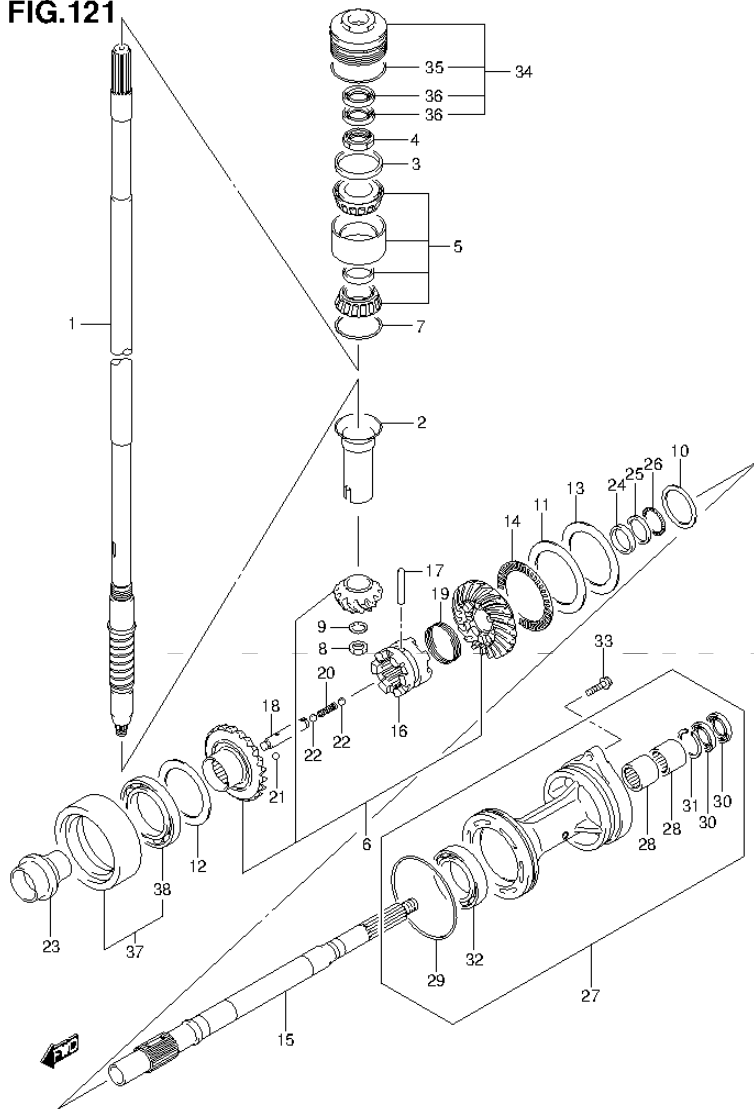


FIG.121 (2-D-5) TRANSMISSION (DF200Z E1)

REF NO.	PART NO.	DESCRIPTION	Q'TY	REMARKS
1-1	57110-93J00	SHAFT, DRIVE (X)	1	W/TRANSOM(X)
1-2	57110-93J10	SHAFT, DRIVE (XX)	1	W/TRANSOM(XX)
2	57133-93J00	COLLAR, DRIVE SHAFT	1	
3	57134-93J00	SPACER, DRIVE SHAFT BEARING	1	
4	09159-28003	NUT	1	
5	09269-32001	BEARING (32X66X49)	1	
6	57300-93852	PINION/GEAR SET	1	
7-1	09181-60004	SHIM (60X66X0.45)	1	
7-2	09181-60005	SHIM (60X66X0.5)	1	
7-3	09181-60006	SHIM (60X66X0.55)	1	
7-4	09181-60007	SHIM (60X66X0.6)	1	
7-5	09181-60008	SHIM (60X66X0.65)	1	
7-6	09181-60009	SHIM (60X66X0.7)	1	
7-7	09181-60010	SHIM (60X66X0.75)	1	
7-8	09181-60011	SHIM (60X66X0.8)	1	
7-9	09181-60012	SHIM (60X66X0.85)	1	
7-10	09181-60013	SHIM (60X66X0.9)	1	
8	09140-16021	NUT	1	
9	08221-16256	WASHER	1	
10-1	09160-35015	WASHER (35X46X0.6)	1	PROP SHAFT REV
10-2	09160-35013	WASHER (35X46X0.8)	1	PROP SHAFT REV
10-3	09160-35010	WASHER (35X46X1.15)	1	PROP SHAFT REV
10-4	09160-35004	WASHER (35X46X1.2)	1	PROP SHAFT REV
10-5	09160-35006	WASHER (35X46X0.9)	1	PROP SHAFT REV
10-6	09160-35002	WASHER (35X46X1)	1	PROP SHAFT REV
10-7	09160-35008	WASHER (35X46X0.95)	1	PROP SHAFT REV
10-8	09160-35003	WASHER (35X46X1.1)	1	PROP SHAFT REV
10-9	09160-35009	WASHER (35X46X1.05)	1	PROP SHAFT REV
11	09160-75002	WASHER (75X100X2)	1	FWD GEAR
12-1	09181-60004	SHIM (60X66X0.45)	1	REV GEAR
12-2	09181-60005	SHIM (60X66X0.5)	1	REV GEAR
12-3	09181-60006	SHIM (60X66X0.55)	1	REV GEAR
12-4	09181-60007	SHIM (60X66X0.6)	1	REV GEAR
12-5	09181-60008	SHIM (60X66X0.65)	1	REV GEAR

FIG.121

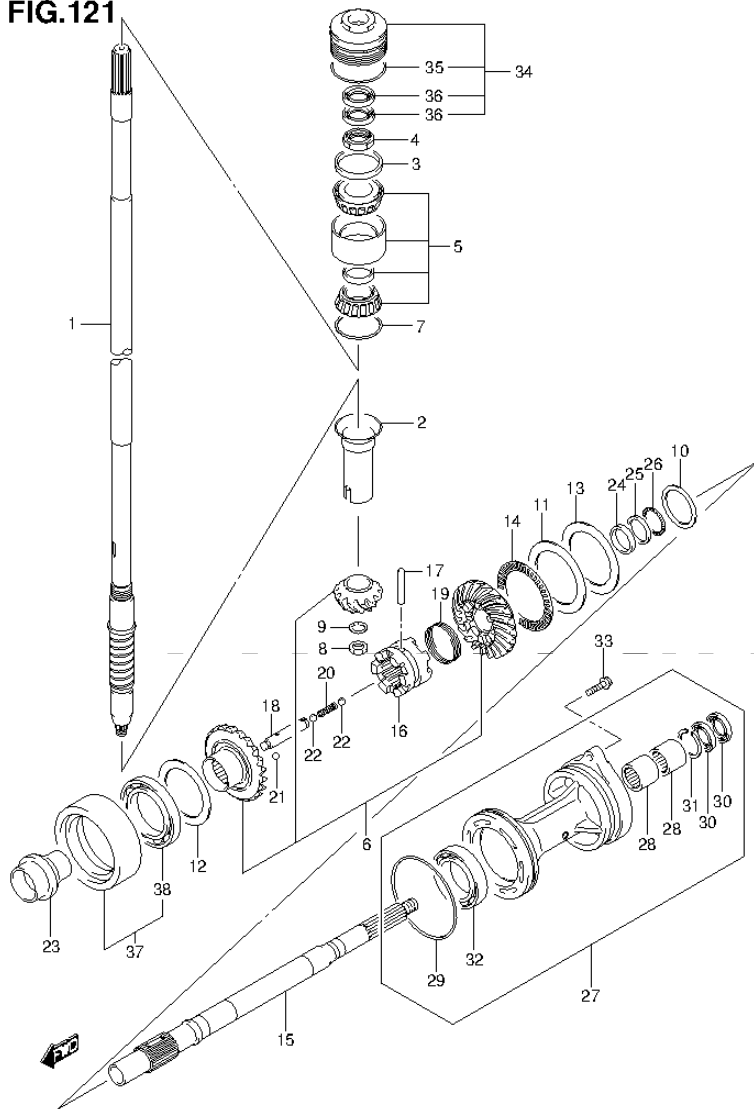


FIG.121 (2-D-6) TRANSMISSION (DF200Z E1)

REF NO.	PART NO.	DESCRIPTION	Q'TY	REMARKS
12-6	09181-60009	SHIM (60X66X0.7)	1	REV GEAR
12-7	09181-60010	SHIM (60X66X0.75)	1	REV GEAR
12-8	09181-60011	SHIM (60X66X0.8)	1	REV GEAR
12-9	09181-60012	SHIM (60X66X0.85)	1	REV GEAR
12-10	09181-60013	SHIM (60X66X0.9)	1	REV GEAR
13-1	09181-75018	SHIM (75X100X0.5)	1	FWD GEAR
13-2	09181-75019	SHIM (75X100X0.55)	1	FWD GEAR
13-3	09181-75012	SHIM (75X100X0.6)	1	FWD GEAR
13-4	09181-75013	SHIM (75X100X0.65)	1	FWD GEAR
13-5	09181-75008	SHIM (75X100X0.7)	1	FWD GEAR
13-6	09181-75014	SHIM (75X100X0.75)	1	FWD GEAR
13-7	09181-75009	SHIM (75X100X0.8)	1	FWD GEAR
13-8	09181-75015	SHIM (75X100X0.85)	1	FWD GEAR
13-9	09181-75010	SHIM (75X100X0.9)	1	FWD GEAR
13-10	09181-75016	SHIM (75X100X0.95)	1	FWD GEAR
13-11	09181-75011	SHIM (75X100X1)	1	FWD GEAR
14	09269-75002	BEARING (75X100X4)	1	FWD GEAR
15	57610-93J20	SHAFT, PROPELLER	1	
16	57621-93J20	SHIFTER, CLUTCH DOG	1	
17	09202-08007	PIN (8X49)	1	
18	57631-93J00	PIN, CONNECTOR	1	
19	09440-52003	SPRING	1	
20	09440-09040	SPRING	1	
21	06111-07004	BALL	2	
22	06111-11004	BALL	2	
23	57622-93J00	SPACER, FWD THRUST	1	
24	09160-30055	WASHER (30X47X6)	1	
25	09160-30056	WASHER (32X47X3)	1	
26	09269-30014	BEARING (30X47X2)	1	
27	56120-93J13-0EP	HOUSING, PROP SFT BRG (BLACK)	1	
28	09263-30023	BEARING (30X40X25)	2	
29	09280-00040	O RING (D:3.1,ID:104.4)	1	
30	09282-30006	OIL SEAL (30X45X6)	2	
31	09381-40003	CIRCLIP	1	

FIG.121

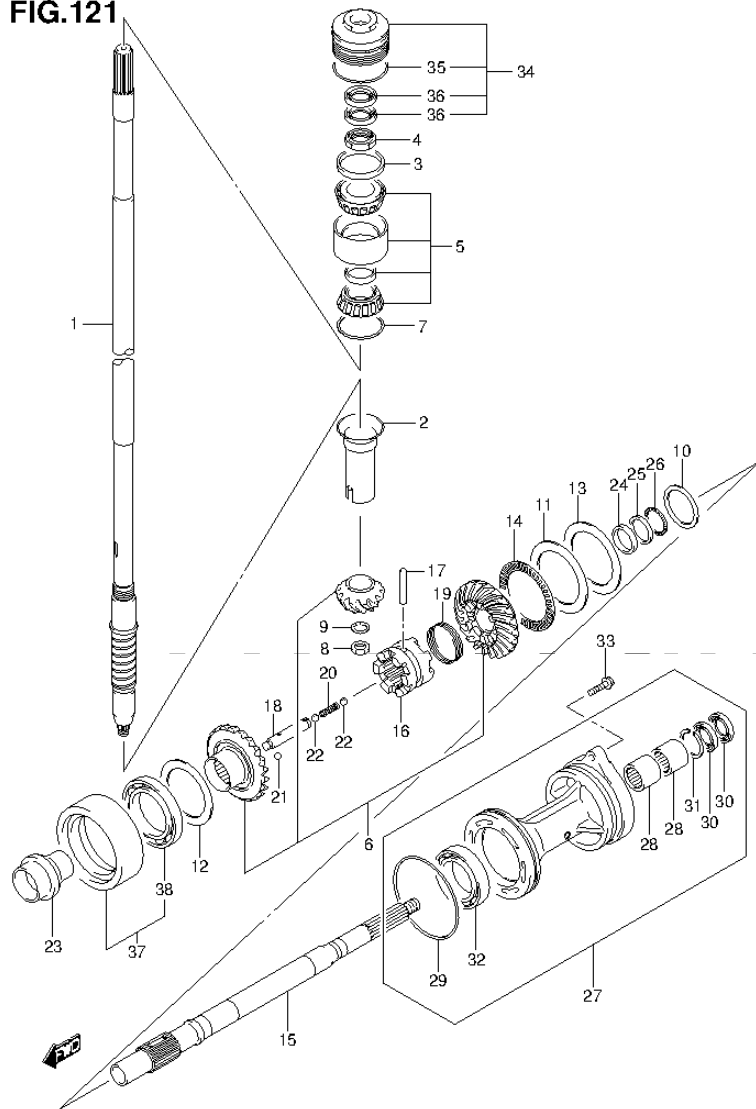


FIG.121 (2-D-7) TRANSMISSION (DF200Z E1)

REF NO.	PART NO.	DESCRIPTION	Q'TY	REMARKS
32	09263-50009	BEARING (50X65X25)	1	
33	09116-08158	BOLT (8X35)	2	
34	56130-93J01	HOUSING, DRIVE SHAFT BRG	1	
35	09280-66004	O RING (D:3.1,ID:65.4)	1	
36	09282-24004	OIL SEAL (24X40X7)	2	
37	56140-93J10	HOUSING, REV GEAR BRG	1	
38	09262-60002	BEARING (60X85X13)	1	

FIG.122

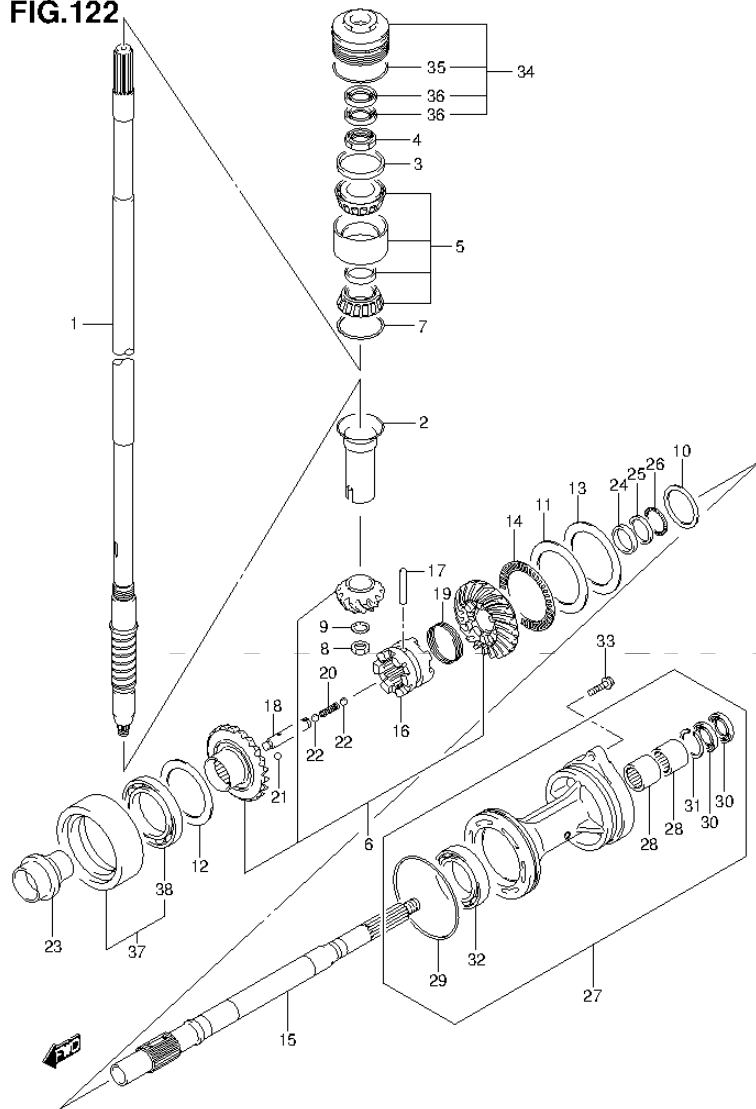


FIG.122 (2-D-8) TRANSMISSION (DF200Z E40)

REF NO.	PART NO.	DESCRIPTION	Q'TY	REMARKS
1	57110-93J00	SHAFT, DRIVE (X)	1	
2	57133-93J00	COLLAR, DRIVE SHAFT	1	
3	57134-93J00	SPACER, DRIVE SHAFT BEARING	1	
4	09159-28003	NUT	1	
5	09269-32001	BEARING (32X66X49)	1	
6	57300-93852	PINION/GEAR SET	1	
7-1	09181-60004	SHIM (60X66X0.45)	1	
7-2	09181-60005	SHIM (60X66X0.5)	1	
7-3	09181-60006	SHIM (60X66X0.55)	1	
7-4	09181-60007	SHIM (60X66X0.6)	1	
7-5	09181-60008	SHIM (60X66X0.65)	1	
7-6	09181-60009	SHIM (60X66X0.7)	1	
7-7	09181-60010	SHIM (60X66X0.75)	1	
7-8	09181-60011	SHIM (60X66X0.8)	1	
7-9	09181-60012	SHIM (60X66X0.85)	1	
7-10	09181-60013	SHIM (60X66X0.9)	1	
8	09140-16021	NUT	1	
9	08221-16256	WASHER	1	
10-1	09160-35015	WASHER (35X46X0.6)	1	PROP SHAFT REV
10-2	09160-35013	WASHER (35X46X0.8)	1	PROP SHAFT REV
10-3	09160-35010	WASHER (35X46X1.15)	1	PROP SHAFT REV
10-4	09160-35004	WASHER (35X46X1.2)	1	PROP SHAFT REV
10-5	09160-35006	WASHER (35X46X0.9)	1	PROP SHAFT REV
10-6	09160-35002	WASHER (35X46X1)	1	PROP SHAFT REV
10-7	09160-35008	WASHER (35X46X0.95)	1	PROP SHAFT REV
10-8	09160-35003	WASHER (35X46X1.1)	1	PROP SHAFT REV
10-9	09160-35009	WASHER (35X46X1.05)	1	PROP SHAFT REV
11	09160-75002	WASHER (75X100X2)	1	FWD GEAR
12-1	09181-60004	SHIM (60X66X0.45)	1	REV GEAR
12-2	09181-60005	SHIM (60X66X0.5)	1	REV GEAR
12-3	09181-60006	SHIM (60X66X0.55)	1	REV GEAR
12-4	09181-60007	SHIM (60X66X0.6)	1	REV GEAR
12-5	09181-60008	SHIM (60X66X0.65)	1	REV GEAR
12-6	09181-60009	SHIM (60X66X0.7)	1	REV GEAR

FIG.122

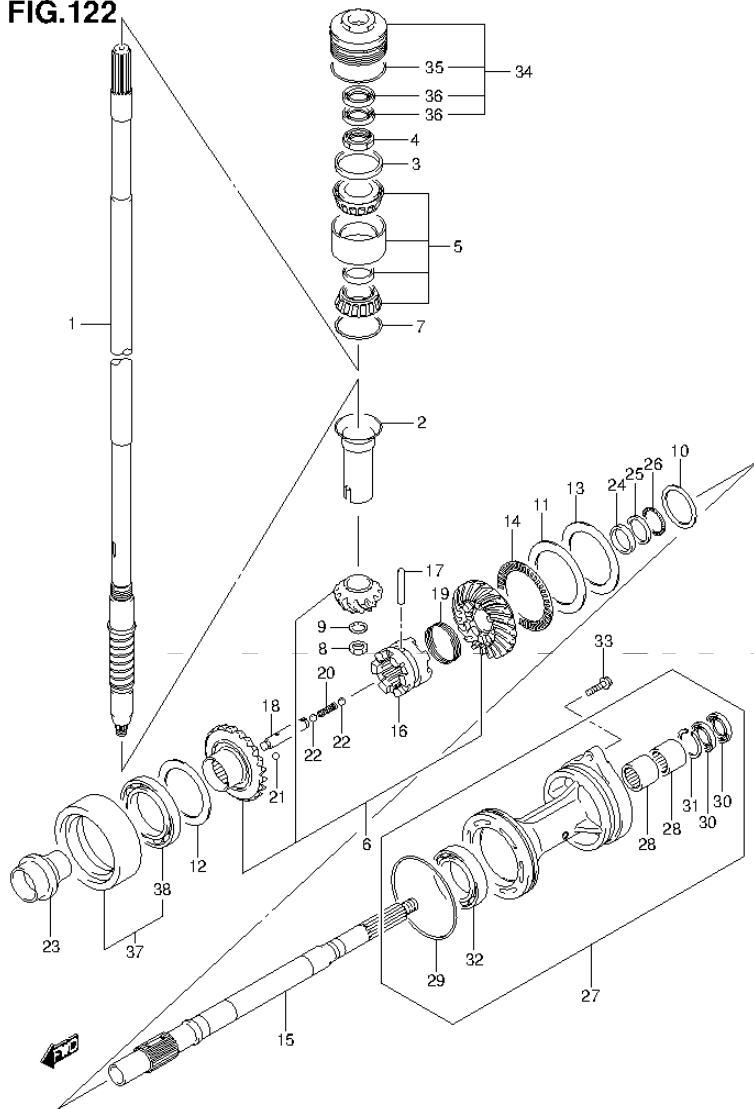


FIG.122 (2-D-9) TRANSMISSION (DF200Z E40)

REF NO.	PART NO.	DESCRIPTION	Q'TY	REMARKS
12-7	09181-60010	SHIM (60X66X0.75)	1	REV GEAR
12-8	09181-60011	SHIM (60X66X0.8)	1	REV GEAR
12-9	09181-60012	SHIM (60X66X0.85)	1	REV GEAR
12-10	09181-60013	SHIM (60X66X0.9)	1	REV GEAR
13-1	09181-75018	SHIM (75X100X0.5)	1	FWD GEAR
13-2	09181-75019	SHIM (75X100X0.55)	1	FWD GEAR
13-3	09181-75012	SHIM (75X100X0.6)	1	FWD GEAR
13-4	09181-75013	SHIM (75X100X0.65)	1	FWD GEAR
13-5	09181-75008	SHIM (75X100X0.7)	1	FWD GEAR
13-6	09181-75014	SHIM (75X100X0.75)	1	FWD GEAR
13-7	09181-75009	SHIM (75X100X0.8)	1	FWD GEAR
13-8	09181-75015	SHIM (75X100X0.85)	1	FWD GEAR
13-9	09181-75010	SHIM (75X100X0.9)	1	FWD GEAR
13-10	09181-75016	SHIM (75X100X0.95)	1	FWD GEAR
13-11	09181-75011	SHIM (75X100X1)	1	FWD GEAR
14	09269-75002	BEARING (75X100X4)	1	FWD GEAR
15	57610-93J20	SHAFT, PROPELLER	1	
16	57621-93J20	SHIFTER, CLUTCH DOG	1	
17	09202-08007	PIN (8X49)	1	
18	57631-93J00	PIN, CONNECTOR	1	
19	09440-52003	SPRING	1	
20	09440-09040	SPRING	1	
21	06111-07004	BALL	2	
22	06111-11004	BALL	2	
23	57622-93J00	SPACER, FWD THRUST	1	
24	09160-30055	WASHER (30X47X6)	1	
25	09160-30056	WASHER (32X47X3)	1	
26	09269-30014	BEARING (30X47X2)	1	
27	56120-93J13-0EP	HOUSING, PROP SFT BRG (BLACK)	1	
28	09263-30023	BEARING (30X40X25)	2	
29	09280-00040	O RING (D:3.1,ID:104.4)	1	
30	09282-30006	OIL SEAL (30X45X6)	2	
31	09381-40003	CIRCLIP	1	
32	09263-50009	BEARING (50X65X25)	1	

FIG.122

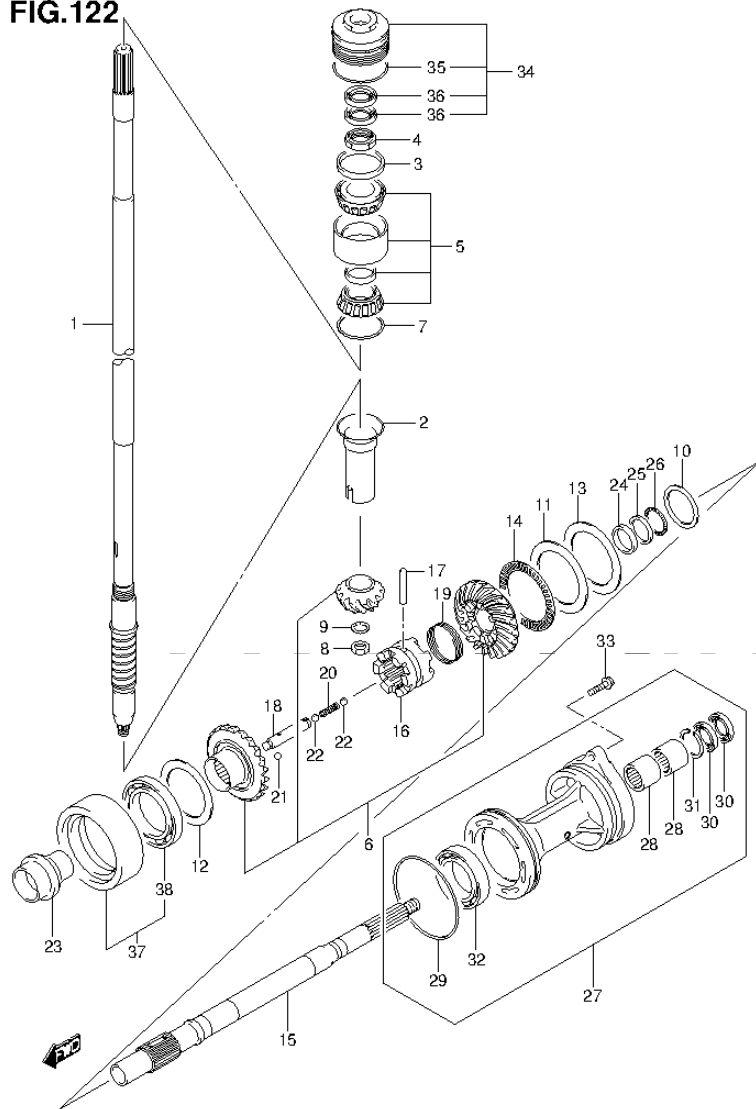


FIG.122 (2-D-10) TRANSMISSION (DF200Z E40)

REF NO.	PART NO.	DESCRIPTION	Q'TY	REMARKS
33	09116-08158	BOLT (8X35)	2	
34	56130-93J01	HOUSING, DRIVE SHAFT BRG	1	
35	09280-66004	O RING (D:3.1,ID:65.4)	1	
36	09282-24004	OIL SEAL (24X40X7)	2	
37	56140-93J10	HOUSING, REV GEAR BRG	1	
38	09262-60002	BEARING (60X85X13)	1	

FIG.123

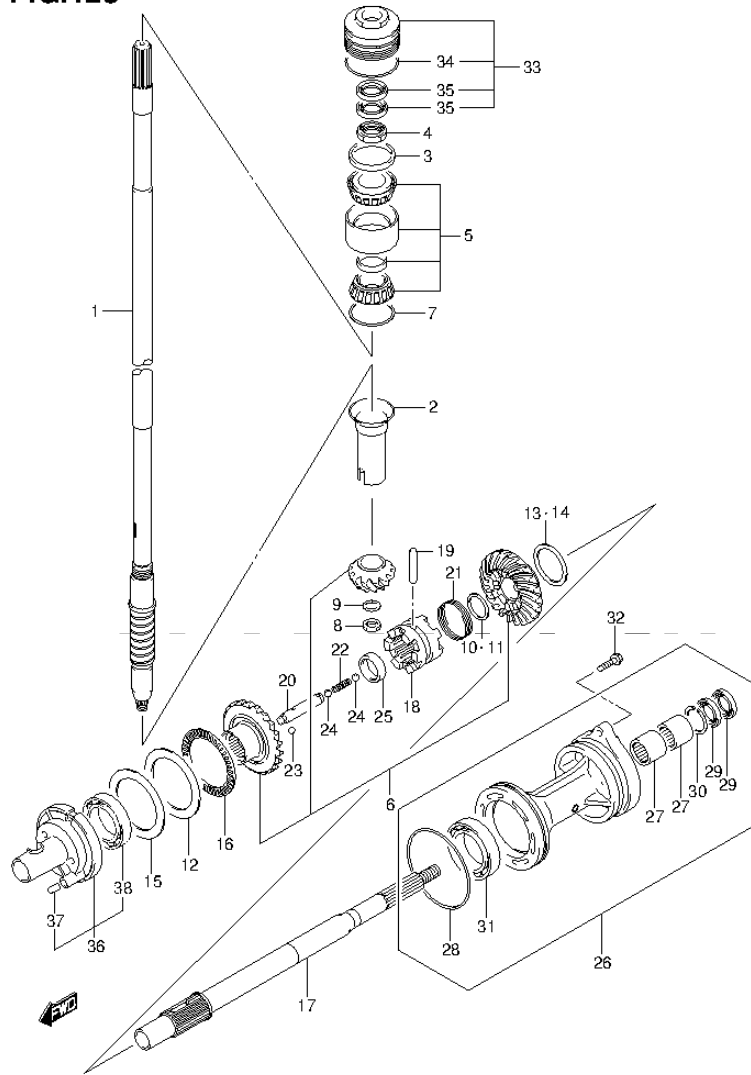


FIG.123 (2-D-11) TRANSMISSION (DF250T E1)

REF NO.	PART NO.	DESCRIPTION	Q'TY	REMARKS
1-1	57110-93J00	SHAFT, DRIVE (X)	1	W/TRANSOM(X)
1-2	57110-93J10	SHAFT, DRIVE (XX)	1	W/TRANSOM(XX)
2	57133-93J00	COLLAR, DRIVE SHAFT	1	
3	57134-93J00	SPACER, DRIVE SHAFT BEARING	1	
4	09159-28003	NUT	1	
5	09269-32001	BEARING (32X66X49)	1	
6	57300-93841	PINION/GEAR SET	1	
7-1	09181-60004	SHIM (60X66X0.45)	1	
7-2	09181-60005	SHIM (60X66X0.5)	1	
7-3	09181-60006	SHIM (60X66X0.55)	1	
7-4	09181-60007	SHIM (60X66X0.6)	1	
7-5	09181-60008	SHIM (60X66X0.65)	1	
7-6	09181-60009	SHIM (60X66X0.7)	1	
7-7	09181-60010	SHIM (60X66X0.75)	1	
7-8	09181-60011	SHIM (60X66X0.8)	1	
7-9	09181-60012	SHIM (60X66X0.85)	1	
7-10	09181-60013	SHIM (60X66X0.9)	1	
8	09140-16021	NUT	1	
9	08221-16256	WASHER	1	
10	57500-87861	SHIM SET, PROP SHAFT REV	1	
11-1	08211-30382	WASHER (30X38X1.5)	1	
11-2	09160-30036	WASHER (30X38X1.7)	1	
11-3	09160-30037	WASHER (30X38X1.9)	1	
11-4	09160-30038	WASHER (30X38X2.1)	1	
11-5	08211-30384	WASHER (30X38X2.2)	1	
11-6	09160-30039	WASHER (30X38X2.3)	1	
11-7	09160-30041	WASHER (30X38X2.4)	1	
11-8	08211-30385	WASHER (30X38X2.5)	1	
11-9	09160-30042	WASHER (30X38X2.6)	1	
11-10	09160-30043	WASHER (30X38X2.7)	1	
11-11	09160-30044	WASHER (30X38X2.8)	1	
12	09160-75002	WASHER (75X100X2)	1	FWD GEAR
13	57500-87852	SHIM SET, REV GEAR	1	
14-1	09181-50013	SHIM (50X62X1)	1	REV GEAR

FIG.123

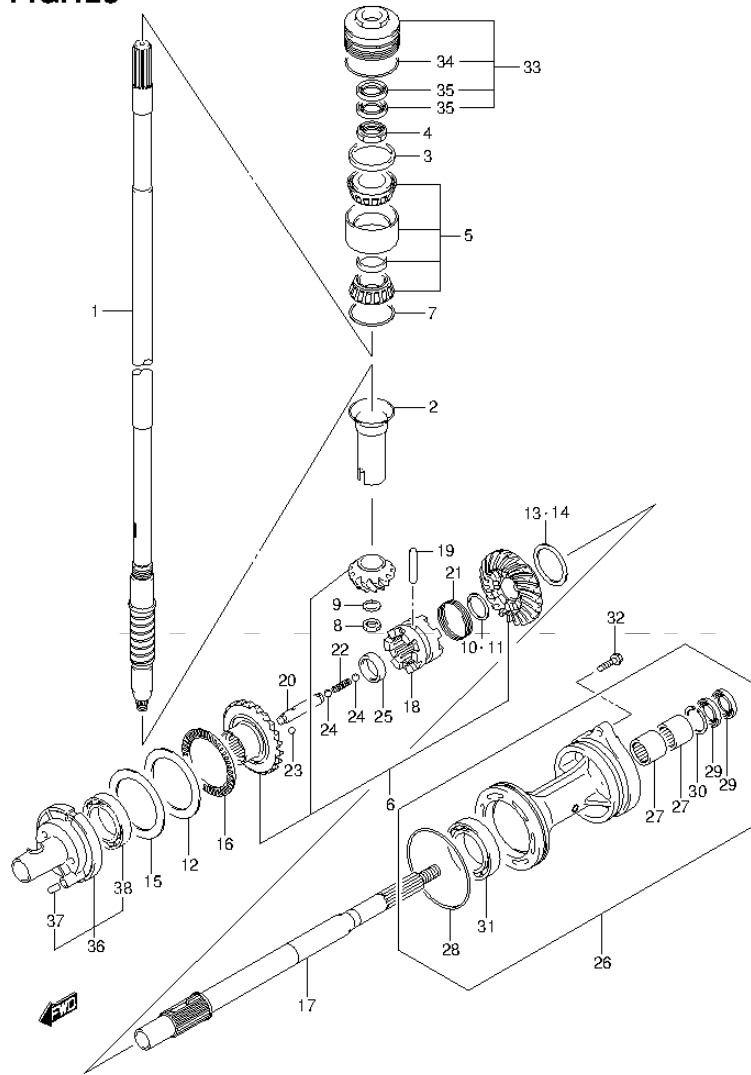


FIG.123 (2-D-12) TRANSMISSION (DF225T E1)

REF NO.	PART NO.	DESCRIPTION	Q'TY	REMARKS
14-2	09181-50012	SHIM (50X62X1.1)	1	REV GEAR
14-3	09181-50005	SHIM (50X62X1.2)	1	REV GEAR
14-4	09181-50006	SHIM (50X62X1.3)	1	REV GEAR
14-5	09181-50007	SHIM (50X62X1.4)	1	REV GEAR
14-6	09181-50008	SHIM (50X62X1.5)	1	REV GEAR
14-7	09181-50009	SHIM (50X62X1.6)	1	REV GEAR
14-8	09181-50010	SHIM (50X62X1.7)	1	REV GEAR
15-1	09181-75018	SHIM (75X100X0.5)	1	FWD GEAR
15-2	09181-75019	SHIM (75X100X0.55)	1	FWD GEAR
15-3	09181-75012	SHIM (75X100X0.6)	1	FWD GEAR
15-4	09181-75013	SHIM (75X100X0.65)	1	FWD GEAR
15-5	09181-75008	SHIM (75X100X0.7)	1	FWD GEAR
15-6	09181-75014	SHIM (75X100X0.75)	1	FWD GEAR
15-7	09181-75009	SHIM (75X100X0.8)	1	FWD GEAR
15-8	09181-75015	SHIM (75X100X0.85)	1	FWD GEAR
15-9	09181-75010	SHIM (75X100X0.9)	1	FWD GEAR
15-10	09181-75016	SHIM (75X100X0.95)	1	FWD GEAR
15-11	09181-75011	SHIM (75X100X1)	1	FWD GEAR
16	09269-75002	BEARING (75X100X4)	1	
17	57610-93J00	SHAFT, PROPELLER	1	
18	57621-93J10	SHIFTER, CLUTCH DOG	1	
19	09202-08007	PIN (8X49)	1	
20	57631-93J00	PIN, CONNECTOR	1	
21	09440-52003	SPRING	1	
22	09440-09040	SPRING	1	
23	06111-07004	BALL	2	
24	06111-11004	BALL	2	
25	09180-25082	SPACER (25X36.5X9.5)	1	
26	56120-93J03-0EP	HOUSING, PROP SFT BRG (BLACK)	1	
27	09263-30023	BEARING (30X40X25)	2	
28	09280-00040	O RING (D:3.1,ID:104.4)	1	
29	09282-30006	OIL SEAL (30X45X6)	2	
30	09381-40003	CIRCLIP	1	
31	08113-60100	BEARING	1	

FIG.123

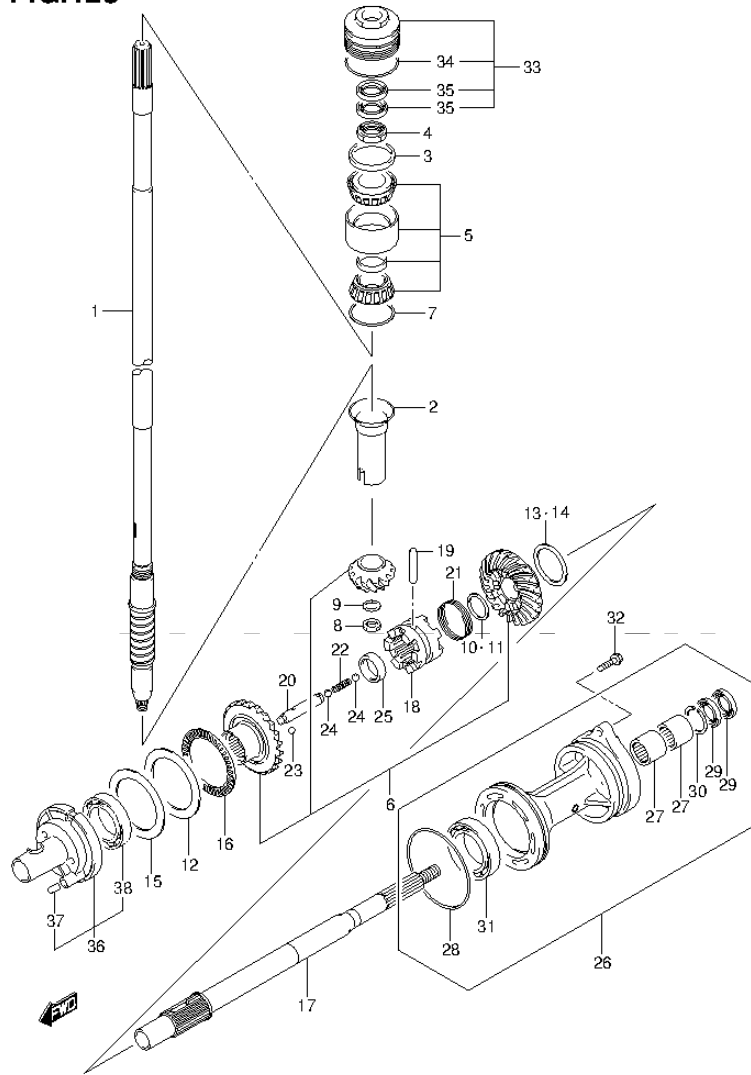


FIG.123 (2-D-13) TRANSMISSION (DF225T E1)

REF NO.	PART NO.	DESCRIPTION	Q'TY	REMARKS
32	09116-08158	BOLT (8X35)	2	
33	56130-93J01	HOUSING, DRIVE SHAFT BRG	1	
34	09280-66004	O RING (D:3.1,ID:65.4)	1	
35	09282-24004	OIL SEAL (24X40X7)	2	
36	56140-93J01	HOUSING, FWD GEAR BRG	1	
37	04221-08129	PIN	1	
38	09263-50009	BEARING (50X65X25)	1	

FIG.124

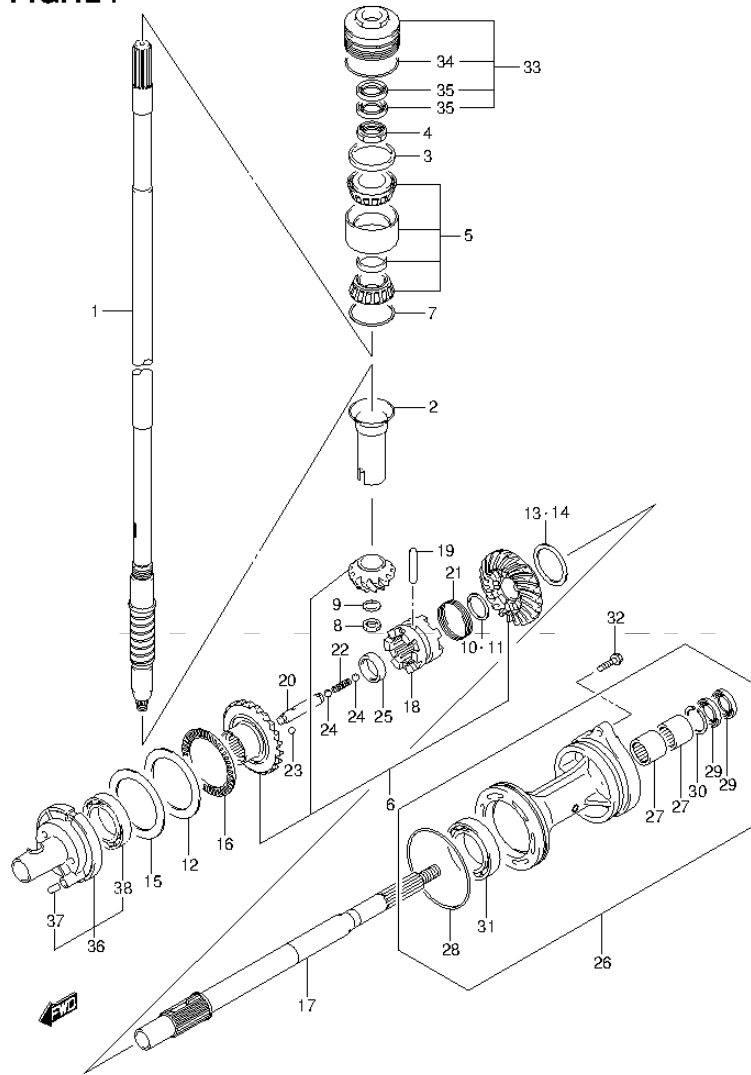


FIG.124 (2-D-14) TRANSMISSION (DF250T E40)

REF NO.	PART NO.	DESCRIPTION	Q'TY	REMARKS
1-1	57110-93J00	SHAFT, DRIVE (X)	1	W/TRANSOM(X)
1-2	57110-93J10	SHAFT, DRIVE (XX)	1	W/TRANSOM(XX)
2	57133-93J00	COLLAR, DRIVE SHAFT	1	
3	57134-93J00	SPACER, DRIVE SHAFT BEARING	1	
4	09159-28003	NUT	1	
5	09269-32001	BEARING (32X66X49)	1	
6	57300-93841	PINION/GEAR SET	1	
7-1	09181-60004	SHIM (60X66X0.45)	1	
7-2	09181-60005	SHIM (60X66X0.5)	1	
7-3	09181-60006	SHIM (60X66X0.55)	1	
7-4	09181-60007	SHIM (60X66X0.6)	1	
7-5	09181-60008	SHIM (60X66X0.65)	1	
7-6	09181-60009	SHIM (60X66X0.7)	1	
7-7	09181-60010	SHIM (60X66X0.75)	1	
7-8	09181-60011	SHIM (60X66X0.8)	1	
7-9	09181-60012	SHIM (60X66X0.85)	1	
7-10	09181-60013	SHIM (60X66X0.9)	1	
8	09140-16021	NUT	1	
9	08221-16256	WASHER	1	
10	57500-87861	SHIM SET, PROP SHAFT REV	1	
11-1	08211-30382	WASHER (30X38X1.5)	1	
11-2	09160-30036	WASHER (30X38X1.7)	1	
11-3	09160-30037	WASHER (30X38X1.9)	1	
11-4	09160-30038	WASHER (30X38X2.1)	1	
11-5	08211-30384	WASHER (30X38X2.2)	1	
11-6	09160-30039	WASHER (30X38X2.3)	1	
11-7	09160-30041	WASHER (30X38X2.4)	1	
11-8	08211-30385	WASHER (30X38X2.5)	1	
11-9	09160-30042	WASHER (30X38X2.6)	1	
11-10	09160-30043	WASHER (30X38X2.7)	1	
11-11	09160-30044	WASHER (30X38X2.8)	1	
12	09160-75002	WASHER (75X100X2)	1	FWD GEAR
13	57500-87852	SHIM SET, REV GEAR	1	
14-1	09181-50013	SHIM (50X62X1)	1	REV GEAR

FIG.124

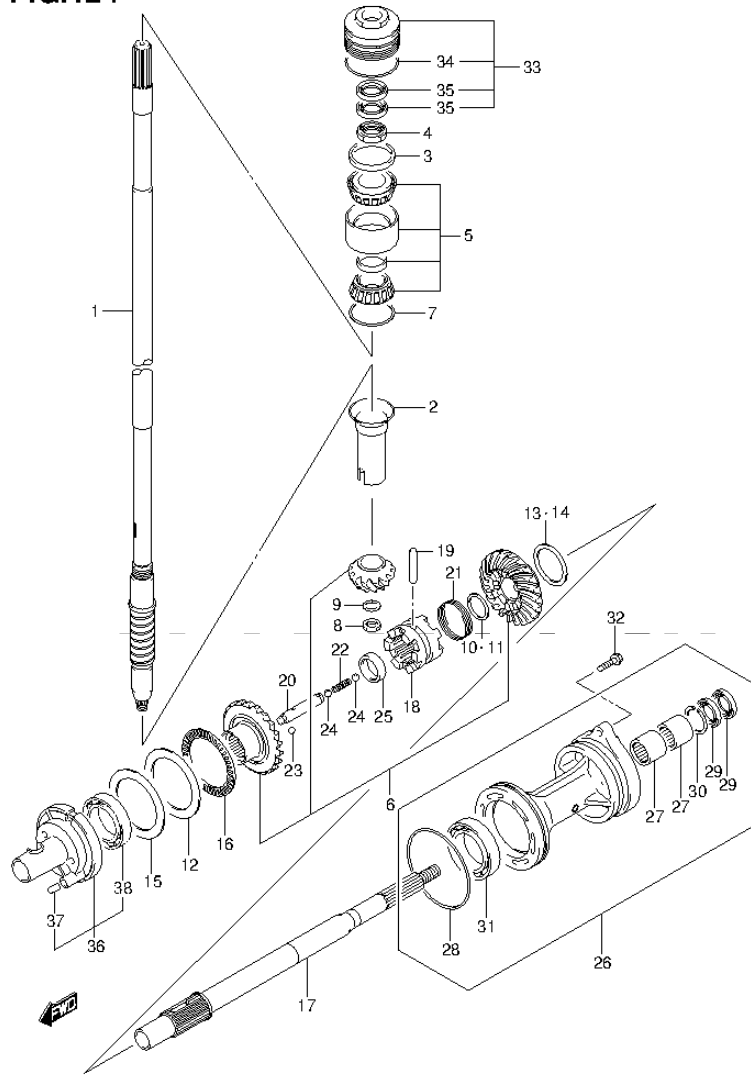


FIG.124 (2-D-15) TRANSMISSION (DF225T E40)

REF NO.	PART NO.	DESCRIPTION	Q'TY	REMARKS
14-2	09181-50012	SHIM (50X62X1.1)	1	REV GEAR
14-3	09181-50005	SHIM (50X62X1.2)	1	REV GEAR
14-4	09181-50006	SHIM (50X62X1.3)	1	REV GEAR
14-5	09181-50007	SHIM (50X62X1.4)	1	REV GEAR
14-6	09181-50008	SHIM (50X62X1.5)	1	REV GEAR
14-7	09181-50009	SHIM (50X62X1.6)	1	REV GEAR
14-8	09181-50010	SHIM (50X62X1.7)	1	REV GEAR
15-1	09181-75018	SHIM (75X100X0.5)	1	FWD GEAR
15-2	09181-75019	SHIM (75X100X0.55)	1	FWD GEAR
15-3	09181-75012	SHIM (75X100X0.6)	1	FWD GEAR
15-4	09181-75013	SHIM (75X100X0.65)	1	FWD GEAR
15-5	09181-75008	SHIM (75X100X0.7)	1	FWD GEAR
15-6	09181-75014	SHIM (75X100X0.75)	1	FWD GEAR
15-7	09181-75009	SHIM (75X100X0.8)	1	FWD GEAR
15-8	09181-75015	SHIM (75X100X0.85)	1	FWD GEAR
15-9	09181-75010	SHIM (75X100X0.9)	1	FWD GEAR
15-10	09181-75016	SHIM (75X100X0.95)	1	FWD GEAR
15-11	09181-75011	SHIM (75X100X1)	1	FWD GEAR
16	09269-75002	BEARING (75X100X4)	1	
17	57610-93J00	SHAFT, PROPELLER	1	
18	57621-93J10	SHIFTER, CLUTCH DOG	1	
19	09202-08007	PIN (8X49)	1	
20	57631-93J00	PIN, CONNECTOR	1	
21	09440-52003	SPRING	1	
22	09440-09040	SPRING	1	
23	06111-07004	BALL	2	
24	06111-11004	BALL	2	
25	09180-25082	SPACER (25X36.5X9.5)	1	
26	56120-93J03-0EP	HOUSING, PROP SFT BRG (BLACK)	1	
27	09263-30023	BEARING (30X40X25)	2	
28	09280-00040	O RING (D:3.1,ID:104.4)	1	
29	09282-30006	OIL SEAL (30X45X6)	2	
30	09381-40003	CIRCLIP	1	
31	08113-60100	BEARING	1	

FIG.124

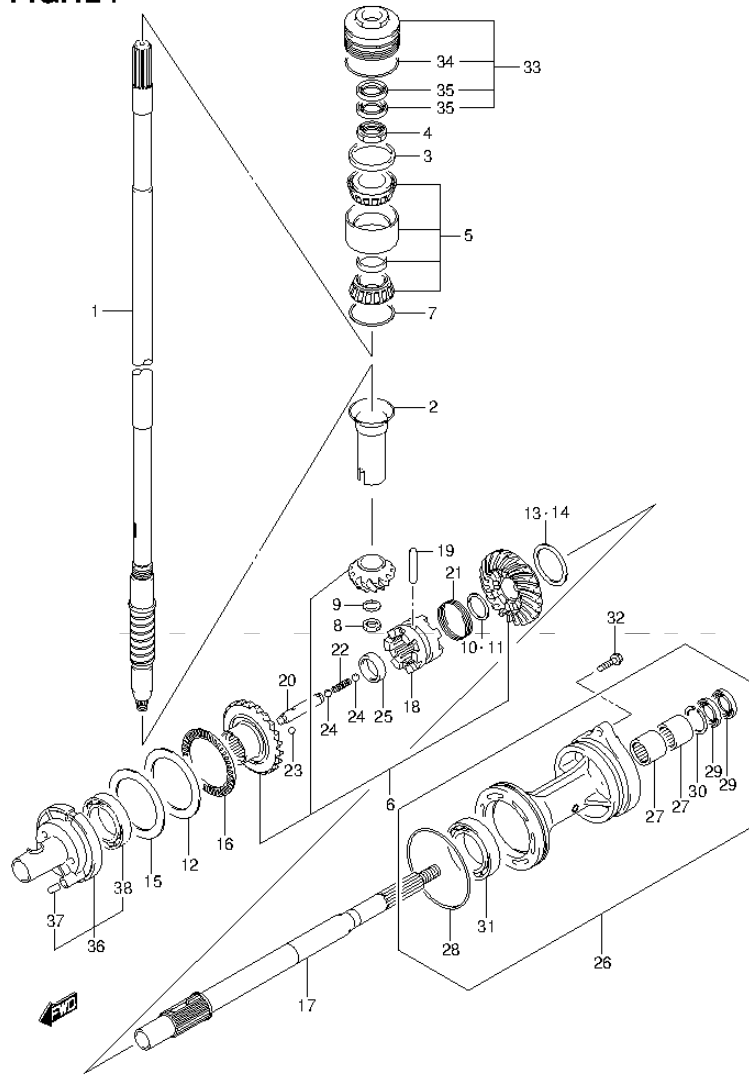


FIG.124 (2-E-2) TRANSMISSION (DF225T E40)

REF NO.	PART NO.	DESCRIPTION	Q'TY	REMARKS
32	09116-08158	BOLT (8X35)	2	
33	56130-93J01	HOUSING, DRIVE SHAFT BRG	1	
34	09280-66004	O RING (D:3.1,ID:65.4)	1	
35	09282-24004	OIL SEAL (24X40X7)	2	
36	56140-93J01	HOUSING, FWD GEAR BRG	1	
37	04221-08129	PIN	1	
38	09263-50009	BEARING (50X65X25)	1	

FIG.125

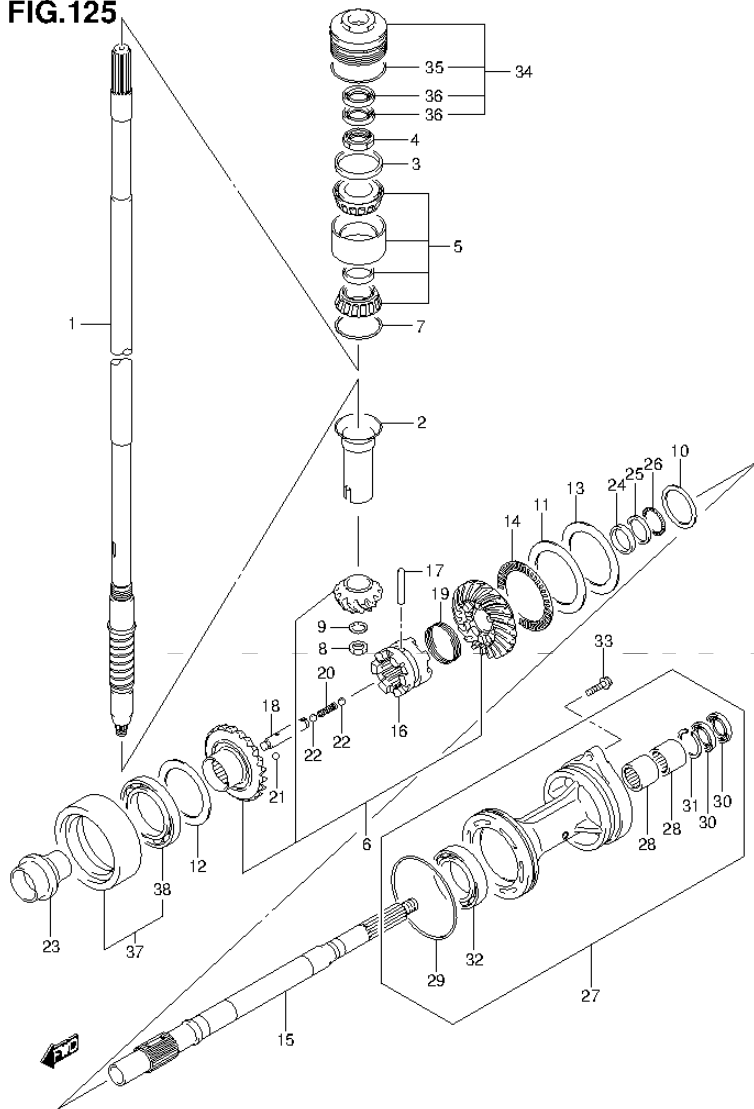


FIG.125 (2-E-3) TRANSMISSION (DF225Z E1)

REF NO.	PART NO.	DESCRIPTION	Q'TY	REMARKS
1-1	57110-93J00	SHAFT, DRIVE (X)	1	W/TRANSOM(X)
1-2	57110-93J10	SHAFT, DRIVE (XX)	1	W/TRANSOM(XX)
2	57133-93J00	COLLAR, DRIVE SHAFT	1	
3	57134-93J00	SPACER, DRIVE SHAFT BEARING	1	
4	09159-28003	NUT	1	
5	09269-32001	BEARING (32X66X49)	1	
6	57300-93852	PINION/GEAR SET	1	
7-1	09181-60004	SHIM (60X66X0.45)	1	
7-2	09181-60005	SHIM (60X66X0.5)	1	
7-3	09181-60006	SHIM (60X66X0.55)	1	
7-4	09181-60007	SHIM (60X66X0.6)	1	
7-5	09181-60008	SHIM (60X66X0.65)	1	
7-6	09181-60009	SHIM (60X66X0.7)	1	
7-7	09181-60010	SHIM (60X66X0.75)	1	
7-8	09181-60011	SHIM (60X66X0.8)	1	
7-9	09181-60012	SHIM (60X66X0.85)	1	
7-10	09181-60013	SHIM (60X66X0.9)	1	
8	09140-16021	NUT	1	
9	08221-16256	WASHER	1	
10-1	09160-35015	WASHER (35X46X0.6)	1	PROP SHAFT REV
10-2	09160-35013	WASHER (35X46X0.8)	1	PROP SHAFT REV
10-3	09160-35010	WASHER (35X46X1.15)	1	PROP SHAFT REV
10-4	09160-35004	WASHER (35X46X1.2)	1	PROP SHAFT REV
10-5	09160-35006	WASHER (35X46X0.9)	1	PROP SHAFT REV
10-6	09160-35002	WASHER (35X46X1)	1	PROP SHAFT REV
10-7	09160-35008	WASHER (35X46X0.95)	1	PROP SHAFT REV
10-8	09160-35003	WASHER (35X46X1.1)	1	PROP SHAFT REV
10-9	09160-35009	WASHER (35X46X1.05)	1	PROP SHAFT REV
11	09160-75002	WASHER (75X100X2)	1	FWD GEAR
12-1	09181-60004	SHIM (60X66X0.45)	1	REV GEAR
12-2	09181-60005	SHIM (60X66X0.5)	1	REV GEAR
12-3	09181-60006	SHIM (60X66X0.55)	1	REV GEAR
12-4	09181-60007	SHIM (60X66X0.6)	1	REV GEAR
12-5	09181-60008	SHIM (60X66X0.65)	1	REV GEAR

FIG.125

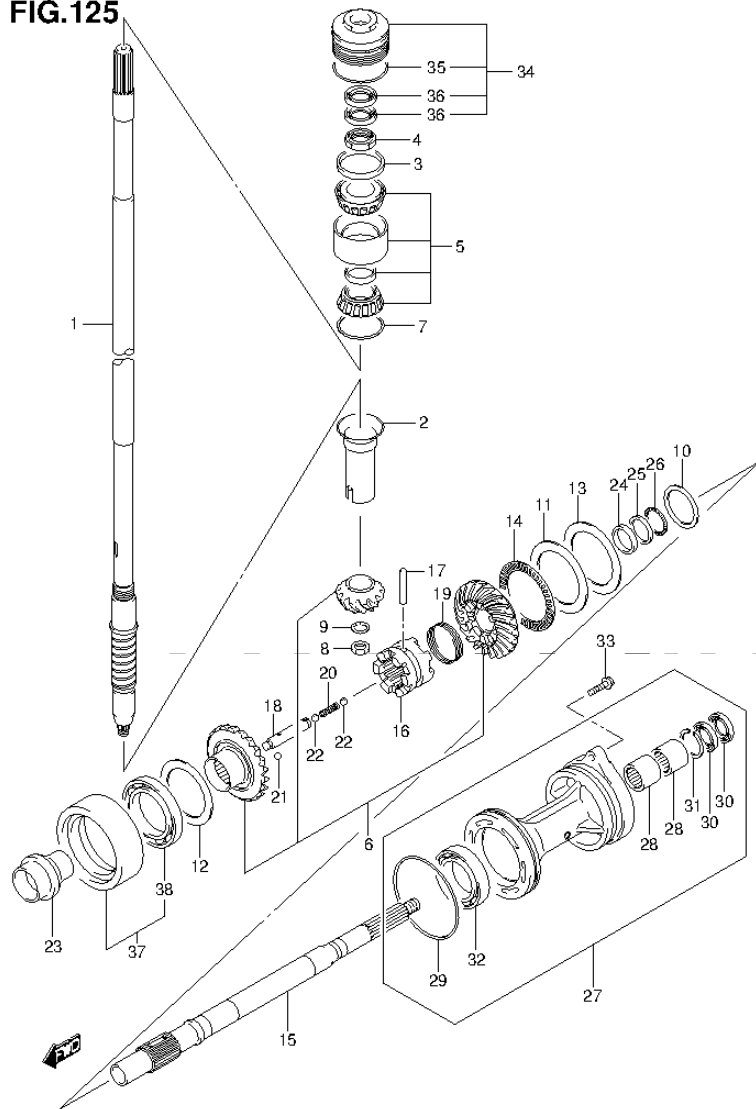


FIG.125 (2-E-4) TRANSMISSION (DF225Z E1)

REF NO.	PART NO.	DESCRIPTION	Q'TY	REMARKS
12-6	09181-60009	SHIM (60X66X0.7)	1	REV GEAR
12-7	09181-60010	SHIM (60X66X0.75)	1	REV GEAR
12-8	09181-60011	SHIM (60X66X0.8)	1	REV GEAR
12-9	09181-60012	SHIM (60X66X0.85)	1	REV GEAR
12-10	09181-60013	SHIM (60X66X0.9)	1	REV GEAR
13-1	09181-75018	SHIM (75X100X0.5)	1	FWD GEAR
13-2	09181-75019	SHIM (75X100X0.55)	1	FWD GEAR
13-3	09181-75012	SHIM (75X100X0.6)	1	FWD GEAR
13-4	09181-75013	SHIM (75X100X0.65)	1	FWD GEAR
13-5	09181-75008	SHIM (75X100X0.7)	1	FWD GEAR
13-6	09181-75014	SHIM (75X100X0.75)	1	FWD GEAR
13-7	09181-75009	SHIM (75X100X0.8)	1	FWD GEAR
13-8	09181-75015	SHIM (75X100X0.85)	1	FWD GEAR
13-9	09181-75010	SHIM (75X100X0.9)	1	FWD GEAR
13-10	09181-75016	SHIM (75X100X0.95)	1	FWD GEAR
13-11	09181-75011	SHIM (75X100X1)	1	FWD GEAR
14	09269-75002	BEARING (75X100X4)	1	FWD GEAR
15	57610-93J20	SHAFT, PROPELLER	1	
16	57621-93J20	SHIFTER, CLUTCH DOG	1	
17	09202-08007	PIN (8X49)	1	
18	57631-93J00	PIN, CONNECTOR	1	
19	09440-52003	SPRING	1	
20	09440-09040	SPRING	1	
21	06111-07004	BALL	2	
22	06111-11004	BALL	2	
23	57622-93J00	SPACER, FWD THRUST	1	
24	09160-30055	WASHER (30X47X6)	1	
25	09160-30056	WASHER (32X47X3)	1	
26	09269-30014	BEARING (30X47X2)	1	
27	56120-93J13-0EP	HOUSING, PROP SFT BRG (BLACK)	1	
28	09263-30023	BEARING (30X40X25)	2	
29	09280-00040	O RING (D:3.1,ID:104.4)	1	
30	09282-30006	OIL SEAL (30X45X6)	2	
31	09381-40003	CIRCLIP	1	

FIG.125

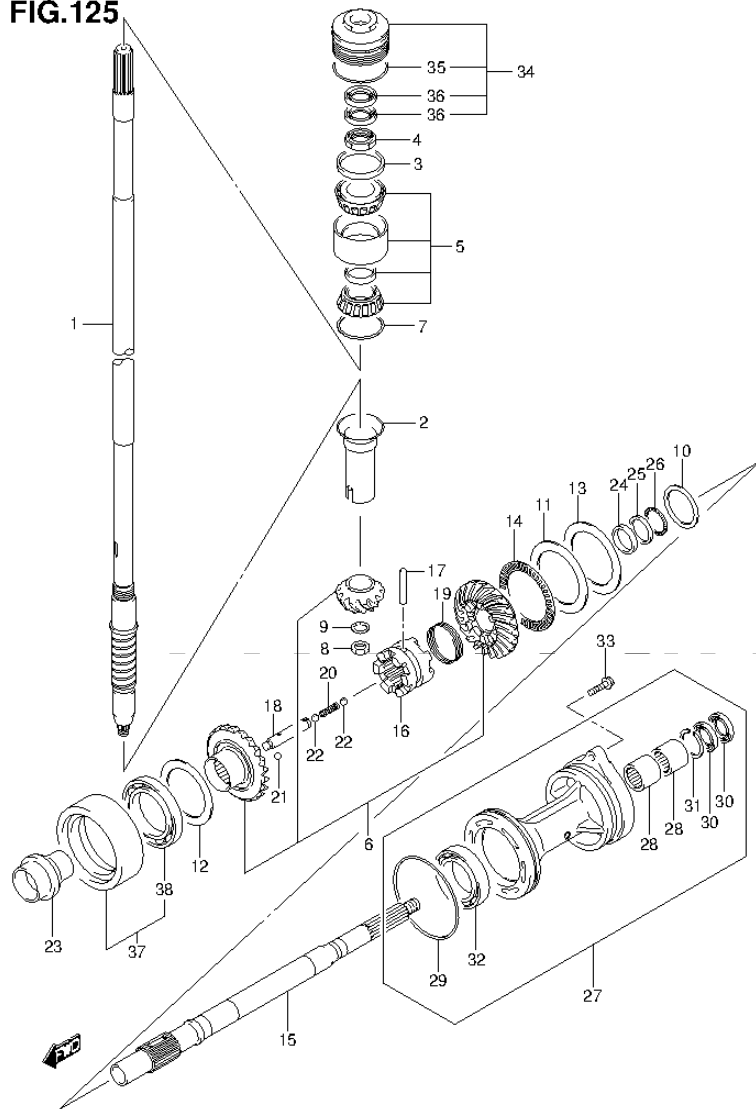


FIG.125 (2-E-5) TRANSMISSION (DF225Z E1)

REF NO.	PART NO.	DESCRIPTION	Q'TY	REMARKS
32	09263-50009	BEARING (50X65X25)	1	
33	09116-08158	BOLT (8X35)	2	
34	56130-93J01	HOUSING, DRIVE SHAFT BRG	1	
35	09280-66004	O RING (D:3.1,ID:65.4)	1	
36	09282-24004	OIL SEAL (24X40X7)	2	
37	56140-93J10	HOUSING, REV GEAR BRG	1	
38	09262-60002	BEARING (60X85X13)	1	

FIG.126

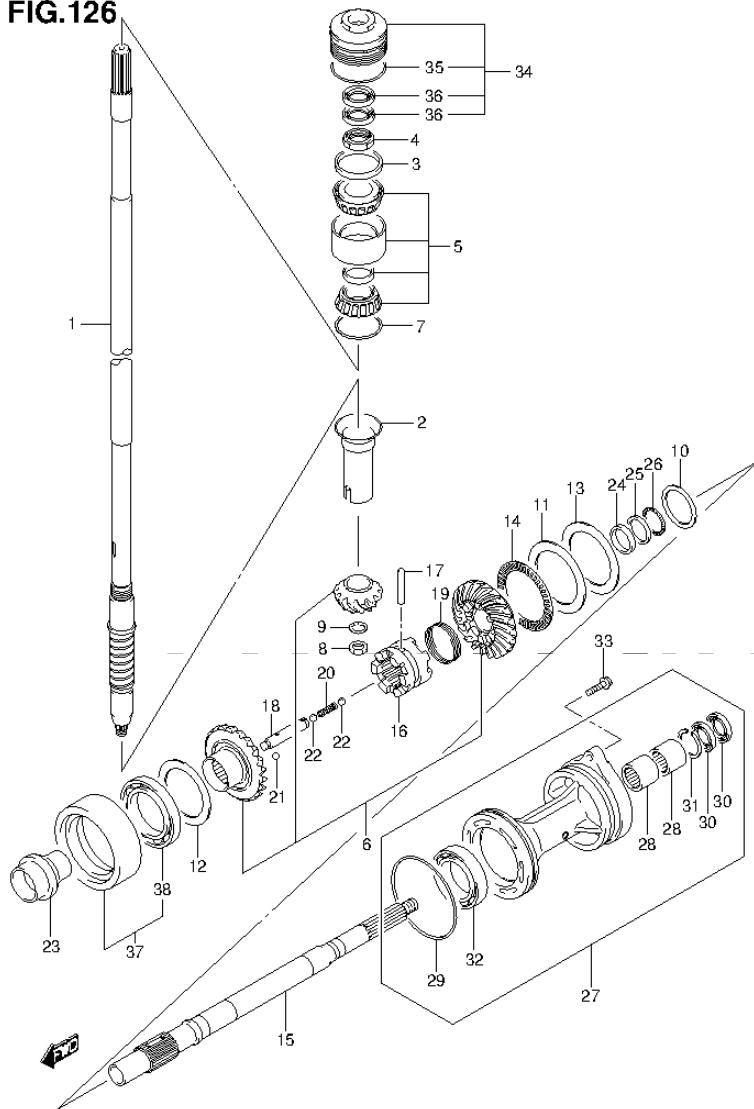


FIG.126 (2-E-6) TRANSMISSION (DF225Z E40)

REF NO.	PART NO.	DESCRIPTION	Q'TY	REMARKS
1-1	57110-93J00	SHAFT, DRIVE (X)	1	W/TRANSOM(X)
1-2	57110-93J10	SHAFT, DRIVE (XX)	1	W/TRANSOM(XX)
2	57133-93J00	COLLAR, DRIVE SHAFT	1	
3	57134-93J00	SPACER, DRIVE SHAFT BEARING	1	
4	09159-28003	NUT	1	
5	09269-32001	BEARING (32X66X49)	1	
6	57300-93852	PINION/GEAR SET	1	
7-1	09181-60004	SHIM (60X66X0.45)	1	
7-2	09181-60005	SHIM (60X66X0.5)	1	
7-3	09181-60006	SHIM (60X66X0.55)	1	
7-4	09181-60007	SHIM (60X66X0.6)	1	
7-5	09181-60008	SHIM (60X66X0.65)	1	
7-6	09181-60009	SHIM (60X66X0.7)	1	
7-7	09181-60010	SHIM (60X66X0.75)	1	
7-8	09181-60011	SHIM (60X66X0.8)	1	
7-9	09181-60012	SHIM (60X66X0.85)	1	
7-10	09181-60013	SHIM (60X66X0.9)	1	
8	09140-16021	NUT	1	
9	08221-16256	WASHER	1	
10-1	09160-35015	WASHER (35X46X0.6)	1	PROP SHAFT REV
10-2	09160-35013	WASHER (35X46X0.8)	1	PROP SHAFT REV
10-3	09160-35010	WASHER (35X46X1.15)	1	PROP SHAFT REV
10-4	09160-35004	WASHER (35X46X1.2)	1	PROP SHAFT REV
10-5	09160-35006	WASHER (35X46X0.9)	1	PROP SHAFT REV
10-6	09160-35002	WASHER (35X46X1)	1	PROP SHAFT REV
10-7	09160-35008	WASHER (35X46X0.95)	1	PROP SHAFT REV
10-8	09160-35003	WASHER (35X46X1.1)	1	PROP SHAFT REV
10-9	09160-35009	WASHER (35X46X1.05)	1	PROP SHAFT REV
11	09160-75002	WASHER (75X100X2)	1	FWD GEAR
12-1	09181-60004	SHIM (60X66X0.45)	1	REV GEAR
12-2	09181-60005	SHIM (60X66X0.5)	1	REV GEAR
12-3	09181-60006	SHIM (60X66X0.55)	1	REV GEAR
12-4	09181-60007	SHIM (60X66X0.6)	1	REV GEAR
12-5	09181-60008	SHIM (60X66X0.65)	1	REV GEAR

FIG.126

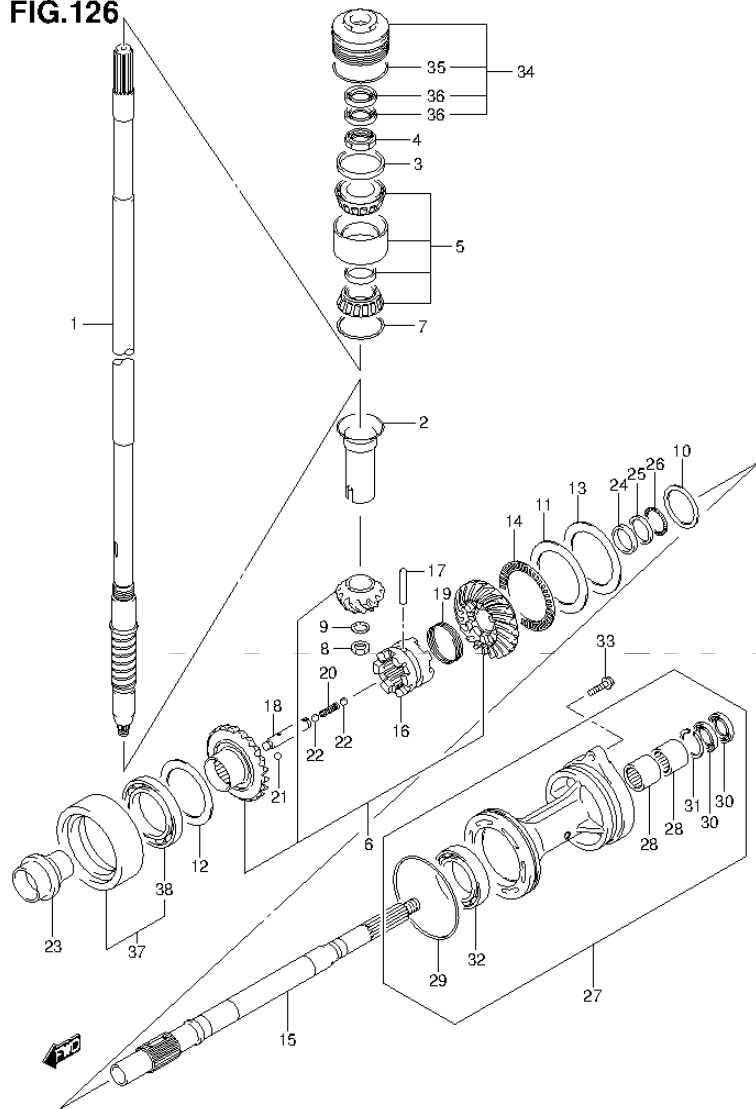


FIG.126 (2-E-7) TRANSMISSION (DF225Z E40)

REF NO.	PART NO.	DESCRIPTION	Q'TY	REMARKS
12-6	09181-60009	SHIM (60X66X0.7)	1	REV GEAR
12-7	09181-60010	SHIM (60X66X0.75)	1	REV GEAR
12-8	09181-60011	SHIM (60X66X0.8)	1	REV GEAR
12-9	09181-60012	SHIM (60X66X0.85)	1	REV GEAR
12-10	09181-60013	SHIM (60X66X0.9)	1	REV GEAR
13-1	09181-75018	SHIM (75X100X0.5)	1	FWD GEAR
13-2	09181-75019	SHIM (75X100X0.55)	1	FWD GEAR
13-3	09181-75012	SHIM (75X100X0.6)	1	FWD GEAR
13-4	09181-75013	SHIM (75X100X0.65)	1	FWD GEAR
13-5	09181-75008	SHIM (75X100X0.7)	1	FWD GEAR
13-6	09181-75014	SHIM (75X100X0.75)	1	FWD GEAR
13-7	09181-75009	SHIM (75X100X0.8)	1	FWD GEAR
13-8	09181-75015	SHIM (75X100X0.85)	1	FWD GEAR
13-9	09181-75010	SHIM (75X100X0.9)	1	FWD GEAR
13-10	09181-75016	SHIM (75X100X0.95)	1	FWD GEAR
13-11	09181-75011	SHIM (75X100X1)	1	FWD GEAR
14	09269-75002	BEARING (75X100X4)	1	FWD GEAR
15	57610-93J20	SHAFT, PROPELLER	1	
16	57621-93J20	SHIFTER, CLUTCH DOG	1	
17	09202-08007	PIN (8X49)	1	
18	57631-93J00	PIN, CONNECTOR	1	
19	09440-52003	SPRING	1	
20	09440-09040	SPRING	1	
21	06111-07004	BALL	2	
22	06111-11004	BALL	2	
23	57622-93J00	SPACER, FWD THRUST	1	
24	09160-30055	WASHER (30X47X6)	1	
25	09160-30056	WASHER (32X47X3)	1	
26	09269-30014	BEARING (30X47X2)	1	
27	56120-93J13-0EP	HOUSING, PROP SFT BRG (BLACK)	1	
28	09263-30023	BEARING (30X40X25)	2	
29	09280-00040	O RING (D:3.1, ID:104.4)	1	
30	09282-30006	OIL SEAL (30X45X6)	2	
31	09381-40003	CIRCLIP	1	

FIG.126

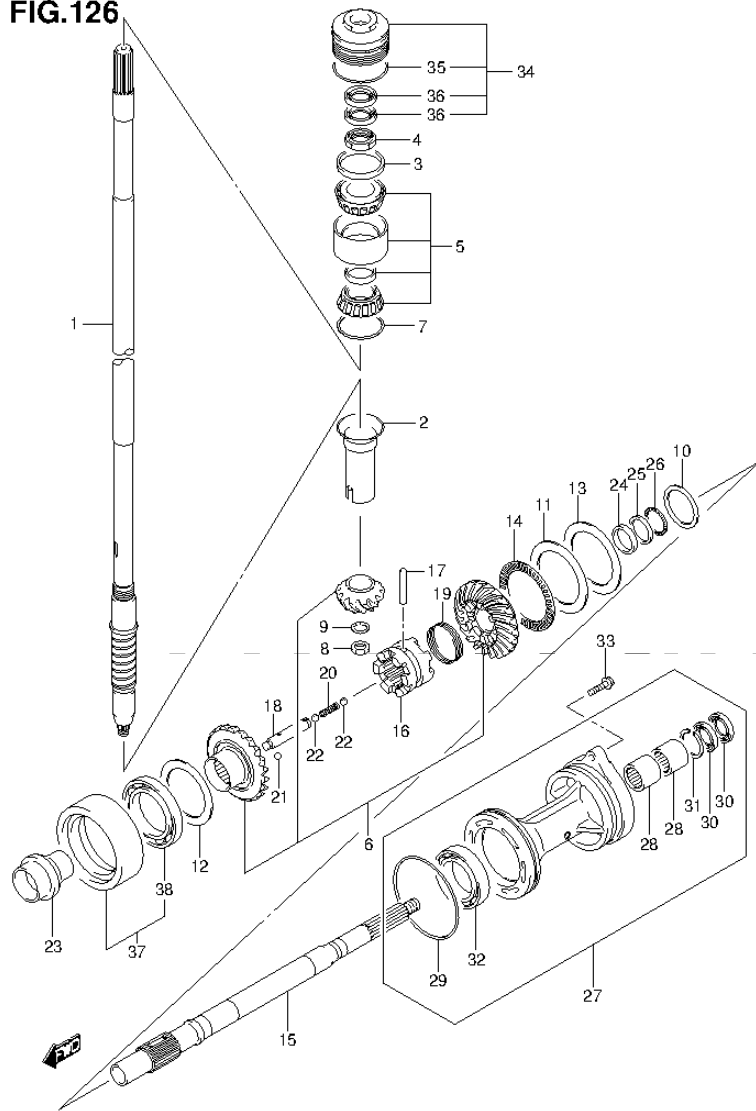


FIG.126 (2-E-8) TRANSMISSION (DF225Z E40)

REF NO.	PART NO.	DESCRIPTION	Q'TY	REMARKS
32	09263-50009	BEARING (50X65X25)	1	
33	09116-08158	BOLT (8X35)	2	
34	56130-93J01	HOUSING, DRIVE SHAFT BRG	1	
35	09280-66004	O RING (D:3.1,ID:65.4)	1	
36	09282-24004	OIL SEAL (24X40X7)	2	
37	56140-93J10	HOUSING, REV GEAR BRG	1	
38	09262-60002	BEARING (60X85X13)	1	

FIG.127

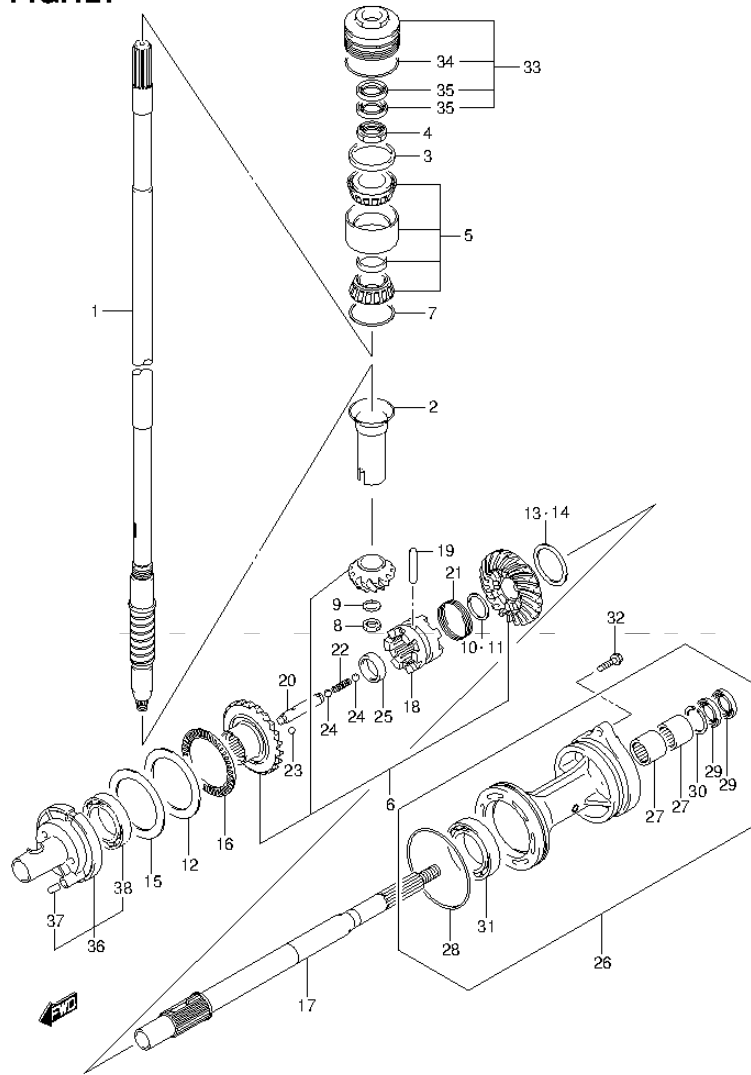


FIG.127 (2-E-9) TRANSMISSION (DF250T E1)

REF NO.	PART NO.	DESCRIPTION	Q'TY	REMARKS
1-1	57110-93J00	SHAFT, DRIVE (X)	1	W/TRANSOM(X)
1-2	57110-93J10	SHAFT, DRIVE (XX)	1	W/TRANSOM(XX)
2	57133-93J00	COLLAR, DRIVE SHAFT	1	
3	57134-93J00	SPACER, DRIVE SHAFT BEARING	1	
4	09159-28003	NUT	1	
5	09269-32001	BEARING (32X66X49)	1	
6	57300-93841	PINION/GEAR SET	1	
7-1	09181-60004	SHIM (60X66X0.45)	1	
7-2	09181-60005	SHIM (60X66X0.5)	1	
7-3	09181-60006	SHIM (60X66X0.55)	1	
7-4	09181-60007	SHIM (60X66X0.6)	1	
7-5	09181-60008	SHIM (60X66X0.65)	1	
7-6	09181-60009	SHIM (60X66X0.7)	1	
7-7	09181-60010	SHIM (60X66X0.75)	1	
7-8	09181-60011	SHIM (60X66X0.8)	1	
7-9	09181-60012	SHIM (60X66X0.85)	1	
7-10	09181-60013	SHIM (60X66X0.9)	1	
8	09140-16021	NUT	1	
9	08221-16256	WASHER	1	
10	57500-87861	SHIM SET, PROP SHAFT REV	1	
11-1	08211-30382	WASHER (30X38X1.5)	1	
11-2	09160-30036	WASHER (30X38X1.7)	1	
11-3	09160-30037	WASHER (30X38X1.9)	1	
11-4	09160-30038	WASHER (30X38X2.1)	1	
11-5	08211-30384	WASHER (30X38X2.2)	1	
11-6	09160-30039	WASHER (30X38X2.3)	1	
11-7	09160-30041	WASHER (30X38X2.4)	1	
11-8	08211-30385	WASHER (30X38X2.5)	1	
11-9	09160-30042	WASHER (30X38X2.6)	1	
11-10	09160-30043	WASHER (30X38X2.7)	1	
11-11	09160-30044	WASHER (30X38X2.8)	1	
12	09160-75002	WASHER (75X100X2)	1	FWD GEAR
13	57500-87852	SHIM SET, REV GEAR	1	
14-1	09181-50013	SHIM (50X62X1)	1	REV GEAR

FIG.127

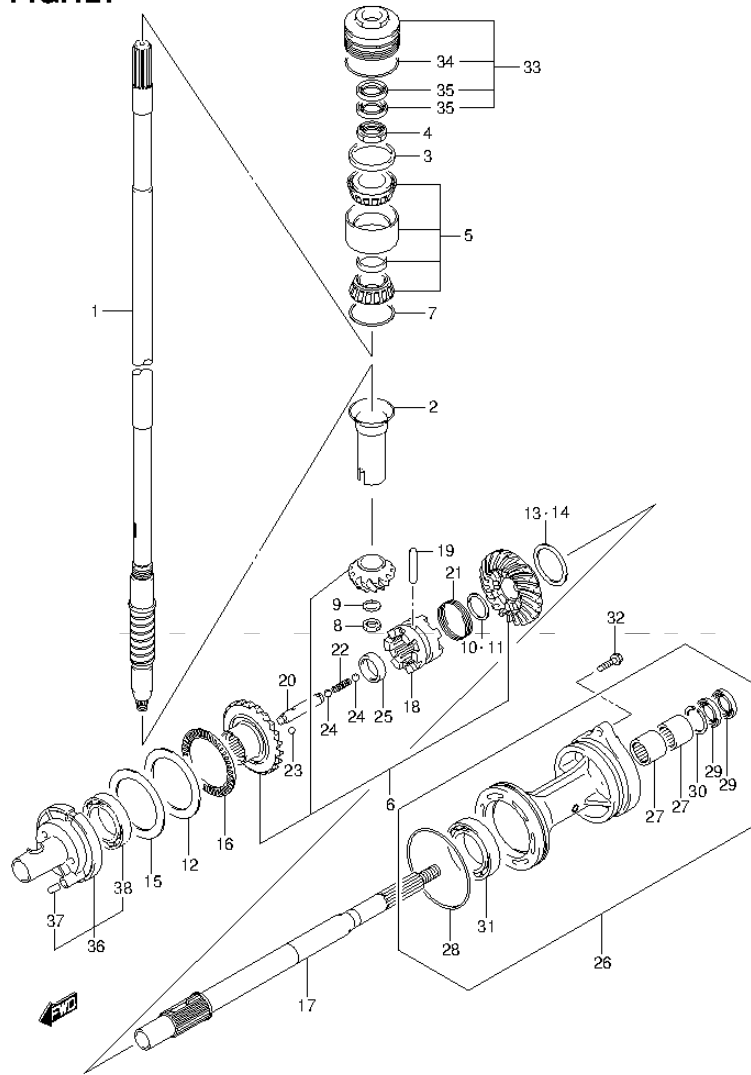


FIG.127 (2-E-10) TRANSMISSION (DF250T E1)

REF NO.	PART NO.	DESCRIPTION	Q'TY	REMARKS
14-2	09181-50012	SHIM (50X62X1.1)	1	REV GEAR
14-3	09181-50005	SHIM (50X62X1.2)	1	REV GEAR
14-4	09181-50006	SHIM (50X62X1.3)	1	REV GEAR
14-5	09181-50007	SHIM (50X62X1.4)	1	REV GEAR
14-6	09181-50008	SHIM (50X62X1.5)	1	REV GEAR
14-7	09181-50009	SHIM (50X62X1.6)	1	REV GEAR
14-8	09181-50010	SHIM (50X62X1.7)	1	REV GEAR
15-1	09181-75018	SHIM (75X100X0.5)	1	FWD GEAR
15-2	09181-75019	SHIM (75X100X0.55)	1	FWD GEAR
15-3	09181-75012	SHIM (75X100X0.6)	1	FWD GEAR
15-4	09181-75013	SHIM (75X100X0.65)	1	FWD GEAR
15-5	09181-75008	SHIM (75X100X0.7)	1	FWD GEAR
15-6	09181-75014	SHIM (75X100X0.75)	1	FWD GEAR
15-7	09181-75009	SHIM (75X100X0.8)	1	FWD GEAR
15-8	09181-75015	SHIM (75X100X0.85)	1	FWD GEAR
15-9	09181-75010	SHIM (75X100X0.9)	1	FWD GEAR
15-10	09181-75016	SHIM (75X100X0.95)	1	FWD GEAR
15-11	09181-75011	SHIM (75X100X1)	1	FWD GEAR
16	09269-75002	BEARING (75X100X4)	1	
17	57610-93J00	SHAFT, PROPELLER	1	
18	57621-93J10	SHIFTER, CLUTCH DOG	1	
19	09202-08007	PIN (8X49)	1	
20	57631-93J00	PIN, CONNECTOR	1	
21	09440-52003	SPRING	1	
22	09440-09040	SPRING	1	
23	06111-07004	BALL	2	
24	06111-11004	BALL	2	
25	09180-25082	SPACER (25X36.5X9.5)	1	
26	56120-93J03-0EP	HOUSING, PROP SFT BRG (BLACK)	1	
27	09263-30023	BEARING (30X40X25)	2	
28	09280-00040	O RING (D:3.1,ID:104.4)	1	
29	09282-30006	OIL SEAL (30X45X6)	2	
30	09381-40003	CIRCLIP	1	
31	08113-60100	BEARING	1	

FIG.127

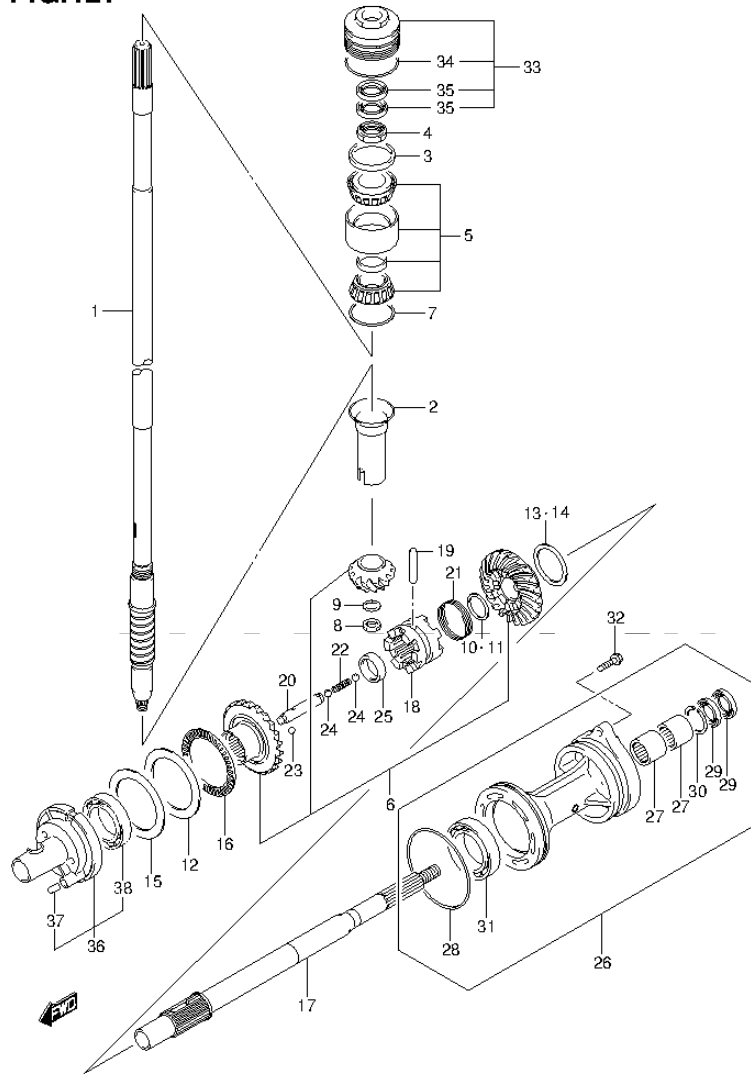


FIG.127 (2-E-11) TRANSMISSION (DF250T E1)

REF NO.	PART NO.	DESCRIPTION	Q'TY	REMARKS
32	09116-08158	BOLT (8X35)	2	
33	56130-93J01	HOUSING, DRIVE SHAFT BRG	1	
34	09280-66004	O RING (D:3.1,ID:65.4)	1	
35	09282-24004	OIL SEAL (24X40X7)	2	
36	56140-93J01	HOUSING, FWD GEAR BRG	1	
37	04221-08129	PIN	1	
38	09263-50009	BEARING (50X65X25)	1	

FIG.128

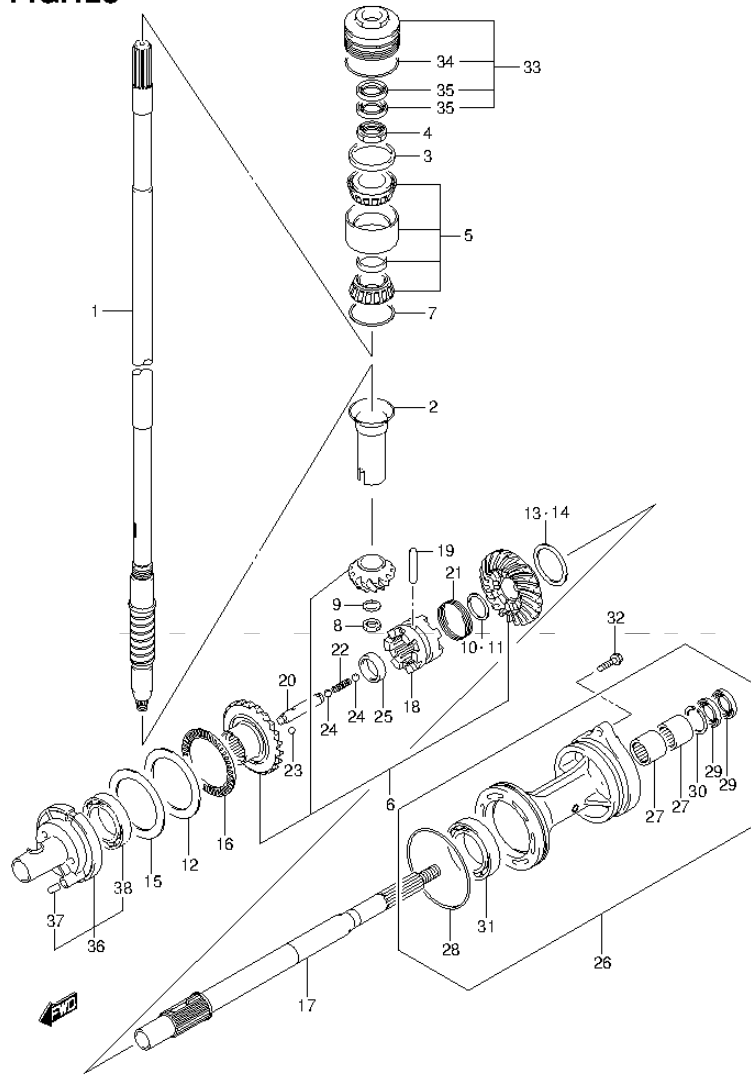


FIG.128 (2-E-12) TRANSMISSION (DF250T E40)

REF NO.	PART NO.	DESCRIPTION	Q'TY	REMARKS
1-1	57110-93J00	SHAFT, DRIVE (X)	1	W/TRANSOM(X)
1-2	57110-93J10	SHAFT, DRIVE (XX)	1	W/TRANSOM(XX)
2	57133-93J00	COLLAR, DRIVE SHAFT	1	
3	57134-93J00	SPACER, DRIVE SHAFT BEARING	1	
4	09159-28003	NUT	1	
5	09269-32001	BEARING (32X66X49)	1	
6	57300-93841	PINION/GEAR SET	1	
7-1	09181-60004	SHIM (60X66X0.45)	1	
7-2	09181-60005	SHIM (60X66X0.5)	1	
7-3	09181-60006	SHIM (60X66X0.55)	1	
7-4	09181-60007	SHIM (60X66X0.6)	1	
7-5	09181-60008	SHIM (60X66X0.65)	1	
7-6	09181-60009	SHIM (60X66X0.7)	1	
7-7	09181-60010	SHIM (60X66X0.75)	1	
7-8	09181-60011	SHIM (60X66X0.8)	1	
7-9	09181-60012	SHIM (60X66X0.85)	1	
7-10	09181-60013	SHIM (60X66X0.9)	1	
8	09140-16021	NUT	1	
9	08221-16256	WASHER	1	
10	57500-87861	SHIM SET, PROP SHAFT REV	1	
11-1	08211-30382	WASHER (30X38X1.5)	1	
11-2	09160-30036	WASHER (30X38X1.7)	1	
11-3	09160-30037	WASHER (30X38X1.9)	1	
11-4	09160-30038	WASHER (30X38X2.1)	1	
11-5	08211-30384	WASHER (30X38X2.2)	1	
11-6	09160-30039	WASHER (30X38X2.3)	1	
11-7	09160-30041	WASHER (30X38X2.4)	1	
11-8	08211-30385	WASHER (30X38X2.5)	1	
11-9	09160-30042	WASHER (30X38X2.6)	1	
11-10	09160-30043	WASHER (30X38X2.7)	1	
11-11	09160-30044	WASHER (30X38X2.8)	1	
12	09160-75002	WASHER (75X100X2)	1	FWD GEAR
13	57500-87852	SHIM SET, REV GEAR	1	
14-1	09181-50013	SHIM (50X62X1)	1	REV GEAR

FIG.128

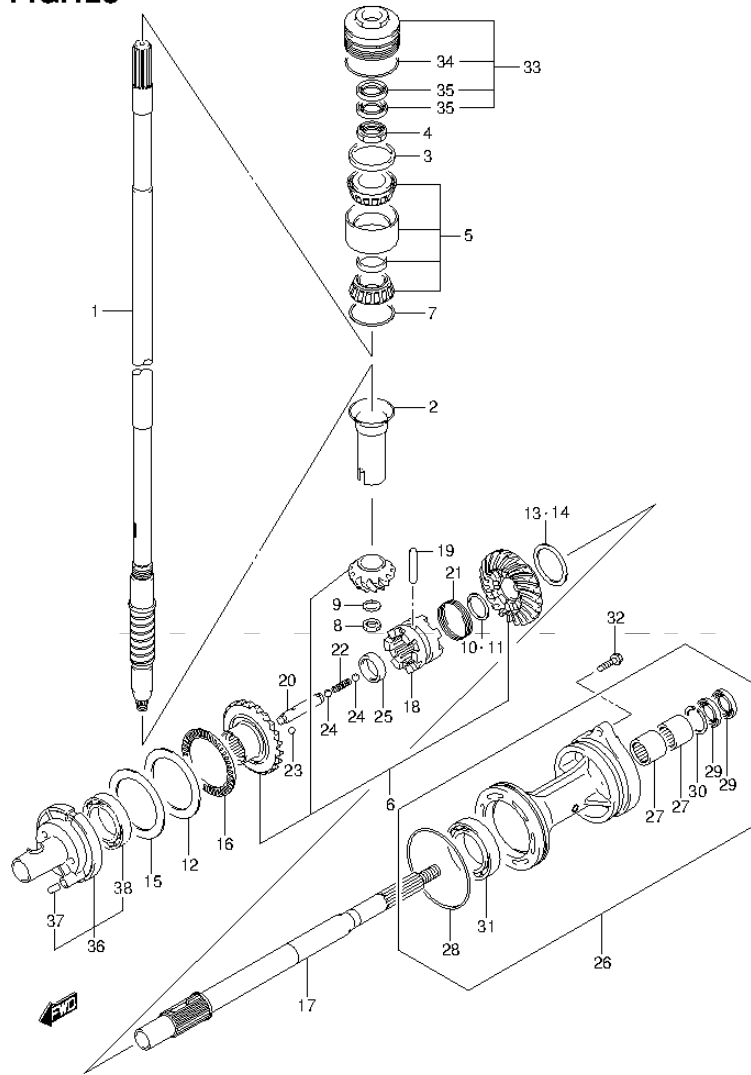


FIG.128 (2-E-13) TRANSMISSION (DF250T E40)

REF NO.	PART NO.	DESCRIPTION	Q'TY	REMARKS
14-2	09181-50012	SHIM (50X62X1.1)	1	REV GEAR
14-3	09181-50005	SHIM (50X62X1.2)	1	REV GEAR
14-4	09181-50006	SHIM (50X62X1.3)	1	REV GEAR
14-5	09181-50007	SHIM (50X62X1.4)	1	REV GEAR
14-6	09181-50008	SHIM (50X62X1.5)	1	REV GEAR
14-7	09181-50009	SHIM (50X62X1.6)	1	REV GEAR
14-8	09181-50010	SHIM (50X62X1.7)	1	REV GEAR
15-1	09181-75018	SHIM (75X100X0.5)	1	FWD GEAR
15-2	09181-75019	SHIM (75X100X0.55)	1	FWD GEAR
15-3	09181-75012	SHIM (75X100X0.6)	1	FWD GEAR
15-4	09181-75013	SHIM (75X100X0.65)	1	FWD GEAR
15-5	09181-75008	SHIM (75X100X0.7)	1	FWD GEAR
15-6	09181-75014	SHIM (75X100X0.75)	1	FWD GEAR
15-7	09181-75009	SHIM (75X100X0.8)	1	FWD GEAR
15-8	09181-75015	SHIM (75X100X0.85)	1	FWD GEAR
15-9	09181-75010	SHIM (75X100X0.9)	1	FWD GEAR
15-10	09181-75016	SHIM (75X100X0.95)	1	FWD GEAR
15-11	09181-75011	SHIM (75X100X1)	1	FWD GEAR
16	09269-75002	BEARING (75X100X4)	1	
17	57610-93J00	SHAFT, PROPELLER	1	
18	57621-93J10	SHIFTER, CLUTCH DOG	1	
19	09202-08007	PIN (8X49)	1	
20	57631-93J00	PIN, CONNECTOR	1	
21	09440-52003	SPRING	1	
22	09440-09040	SPRING	1	
23	06111-07004	BALL	2	
24	06111-11004	BALL	2	
25	09180-25082	SPACER (25X36.5X9.5)	1	
26	56120-93J03-0EP	HOUSING, PROP SFT BRG (BLACK)	1	
27	09263-30023	BEARING (30X40X25)	2	
28	09280-00040	O RING (D:3.1,ID:104.4)	1	
29	09282-30006	OIL SEAL (30X45X6)	2	
30	09381-40003	CIRCLIP	1	
31	08113-60100	BEARING	1	

FIG.128

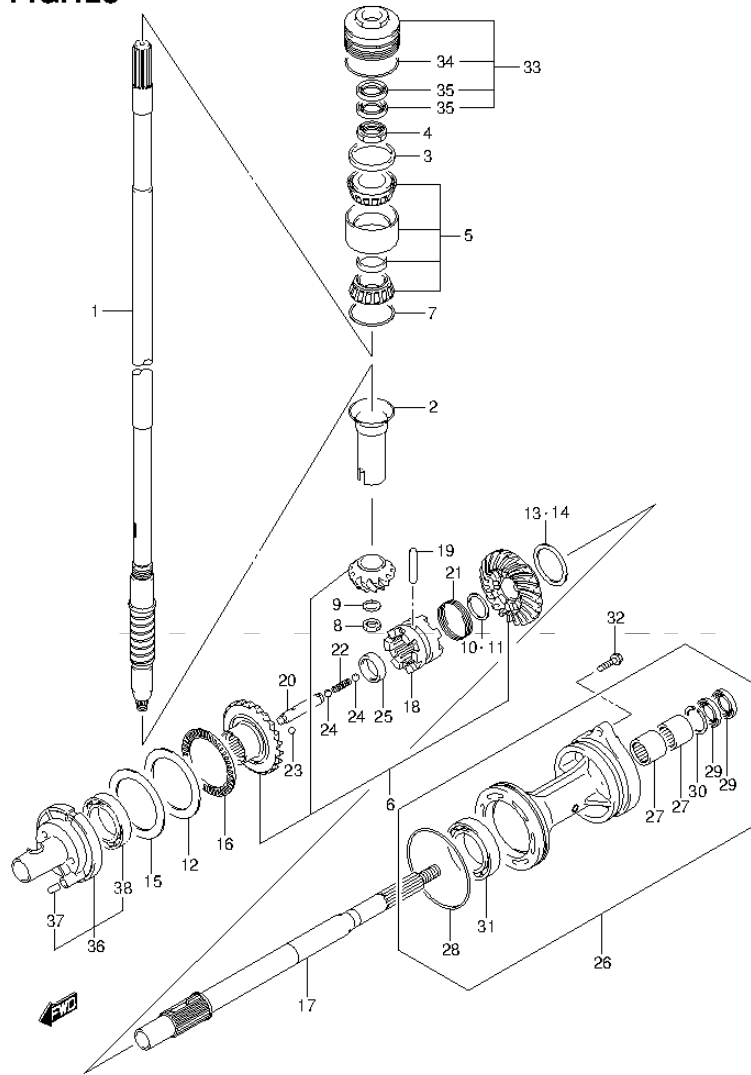


FIG.128 (2-E-14) TRANSMISSION (DF250T E40)

REF NO.	PART NO.	DESCRIPTION	Q'TY	REMARKS
32	09116-08158	BOLT (8X35)	2	
33	56130-93J01	HOUSING, DRIVE SHAFT BRG	1	
34	09280-66004	O RING (D:3.1,ID:65.4)	1	
35	09282-24004	OIL SEAL (24X40X7)	2	
36	56140-93J01	HOUSING, FWD GEAR BRG	1	
37	04221-08129	PIN	1	
38	09263-50009	BEARING (50X65X25)	1	

FIG.129

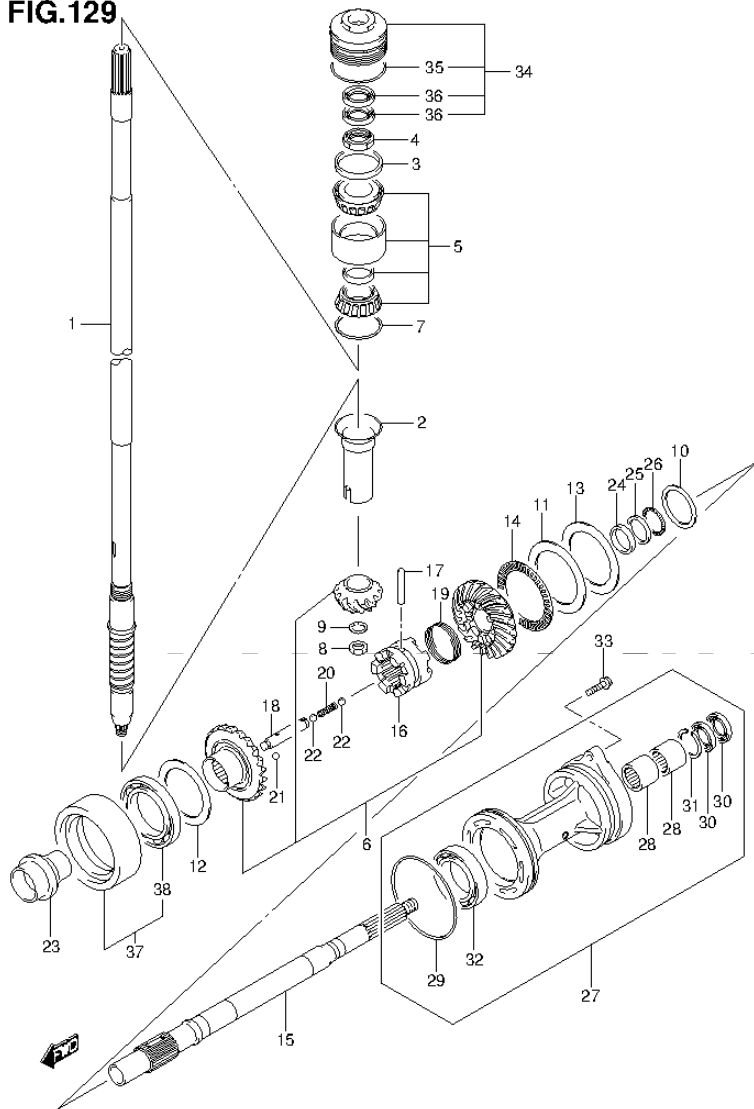


FIG.129 (2-E-15) TRANSMISSION (DF250Z E1)

REF NO.	PART NO.	DESCRIPTION	Q'TY	REMARKS
1-1	57110-93J00	SHAFT, DRIVE (X)	1	W/TRANSOM(X)
1-2	57110-93J10	SHAFT, DRIVE (XX)	1	W/TRANSOM(XX)
2	57133-93J00	COLLAR, DRIVE SHAFT	1	
3	57134-93J00	SPACER, DRIVE SHAFT BEARING	1	
4	09159-28003	NUT	1	
5	09269-32001	BEARING (32X66X49)	1	
6	57300-93852	PINION/GEAR SET	1	
7-1	09181-60004	SHIM (60X66X0.45)	1	
7-2	09181-60005	SHIM (60X66X0.5)	1	
7-3	09181-60006	SHIM (60X66X0.55)	1	
7-4	09181-60007	SHIM (60X66X0.6)	1	
7-5	09181-60008	SHIM (60X66X0.65)	1	
7-6	09181-60009	SHIM (60X66X0.7)	1	
7-7	09181-60010	SHIM (60X66X0.75)	1	
7-8	09181-60011	SHIM (60X66X0.8)	1	
7-9	09181-60012	SHIM (60X66X0.85)	1	
7-10	09181-60013	SHIM (60X66X0.9)	1	
8	09140-16021	NUT	1	
9	08221-16256	WASHER	1	
10-1	09160-35015	WASHER (35X46X0.6)	1	PROP SHAFT REV
10-2	09160-35013	WASHER (35X46X0.8)	1	PROP SHAFT REV
10-3	09160-35010	WASHER (35X46X1.15)	1	PROP SHAFT REV
10-4	09160-35004	WASHER (35X46X1.2)	1	PROP SHAFT REV
10-5	09160-35006	WASHER (35X46X0.9)	1	PROP SHAFT REV
10-6	09160-35002	WASHER (35X46X1)	1	PROP SHAFT REV
10-7	09160-35008	WASHER (35X46X0.95)	1	PROP SHAFT REV
10-8	09160-35003	WASHER (35X46X1.1)	1	PROP SHAFT REV
10-9	09160-35009	WASHER (35X46X1.05)	1	PROP SHAFT REV
11	09160-75002	WASHER (75X100X2)	1	FWD GEAR
12-1	09181-60004	SHIM (60X66X0.45)	1	REV GEAR
12-2	09181-60005	SHIM (60X66X0.5)	1	REV GEAR
12-3	09181-60006	SHIM (60X66X0.55)	1	REV GEAR
12-4	09181-60007	SHIM (60X66X0.6)	1	REV GEAR
12-5	09181-60008	SHIM (60X66X0.65)	1	REV GEAR

FIG.129

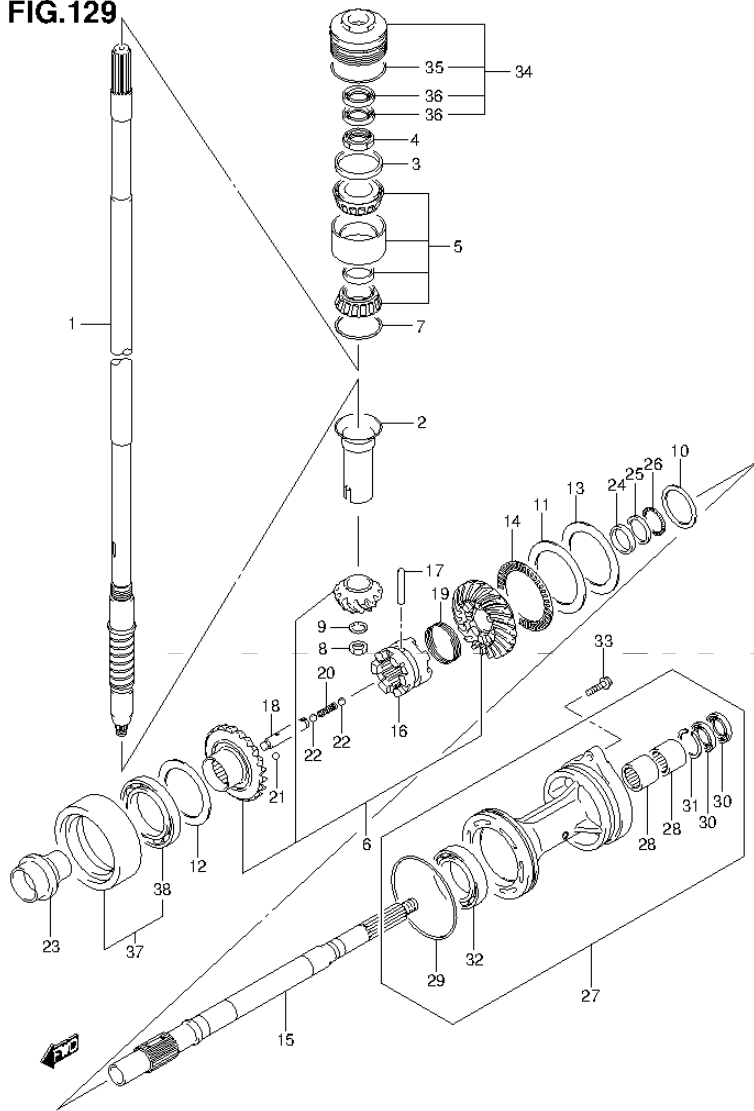


FIG.129 (2-F-2) TRANSMISSION (DF250Z E1)

REF NO.	PART NO.	DESCRIPTION	Q'TY	REMARKS
12-6	09181-60009	SHIM (60X66X0.7)	1	REV GEAR
12-7	09181-60010	SHIM (60X66X0.75)	1	REV GEAR
12-8	09181-60011	SHIM (60X66X0.8)	1	REV GEAR
12-9	09181-60012	SHIM (60X66X0.85)	1	REV GEAR
12-10	09181-60013	SHIM (60X66X0.9)	1	REV GEAR
13-1	09181-75018	SHIM (75X100X0.5)	1	FWD GEAR
13-2	09181-75019	SHIM (75X100X0.55)	1	FWD GEAR
13-3	09181-75012	SHIM (75X100X0.6)	1	FWD GEAR
13-4	09181-75013	SHIM (75X100X0.65)	1	FWD GEAR
13-5	09181-75008	SHIM (75X100X0.7)	1	FWD GEAR
13-6	09181-75014	SHIM (75X100X0.75)	1	FWD GEAR
13-7	09181-75009	SHIM (75X100X0.8)	1	FWD GEAR
13-8	09181-75015	SHIM (75X100X0.85)	1	FWD GEAR
13-9	09181-75010	SHIM (75X100X0.9)	1	FWD GEAR
13-10	09181-75016	SHIM (75X100X0.95)	1	FWD GEAR
13-11	09181-75011	SHIM (75X100X1)	1	FWD GEAR
14	09269-75002	BEARING (75X100X4)	1	FWD GEAR
15	57610-93J20	SHAFT, PROPELLER	1	
16	57621-93J20	SHIFTER, CLUTCH DOG	1	
17	09202-08007	PIN (8X49)	1	
18	57631-93J00	PIN, CONNECTOR	1	
19	09440-52003	SPRING	1	
20	09440-09040	SPRING	1	
21	06111-07004	BALL	2	
22	06111-11004	BALL	2	
23	57622-93J00	SPACER, FWD THRUST	1	
24	09160-30055	WASHER (30X47X6)	1	
25	09160-30056	WASHER (32X47X3)	1	
26	09269-30014	BEARING (30X47X2)	1	
27	56120-93J13-0EP	HOUSING, PROP SFT BRG (BLACK)	1	
28	09263-30023	BEARING (30X40X25)	2	
29	09280-00040	O RING (D:3.1,ID:104.4)	1	
30	09282-30006	OIL SEAL (30X45X6)	2	
31	09381-40003	CIRCLIP	1	

FIG.129

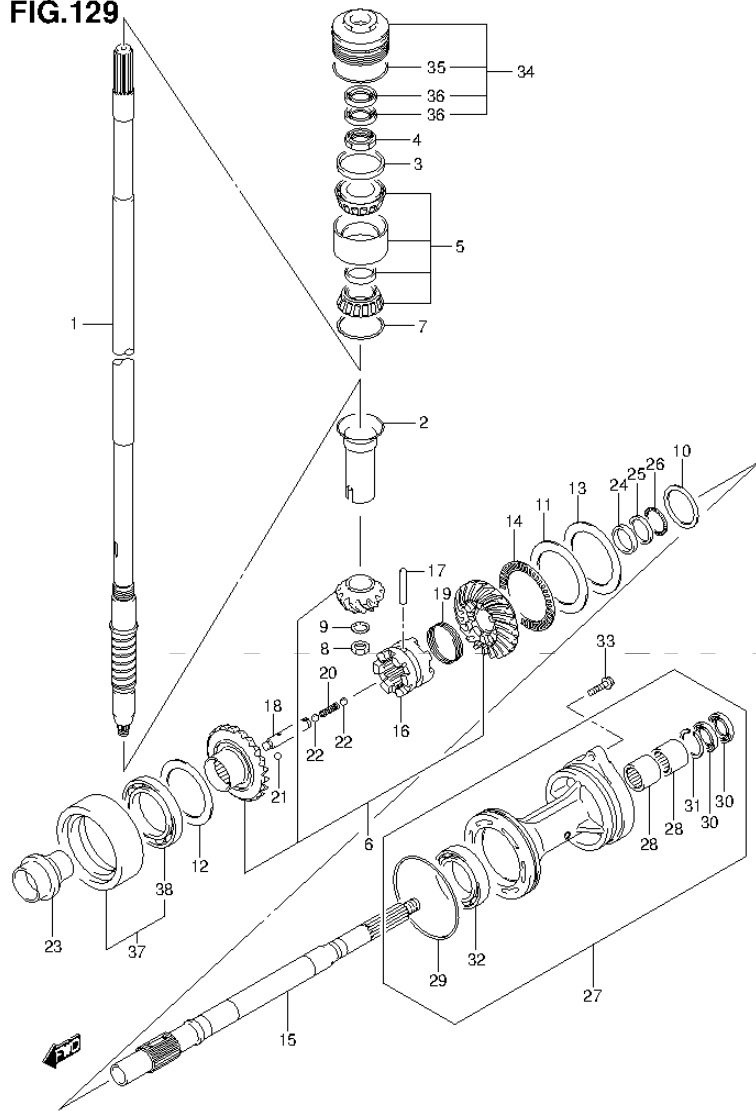


FIG.129 (2-F-3) TRANSMISSION (DF250Z E1)

REF NO.	PART NO.	DESCRIPTION	Q'TY	REMARKS
32	09263-50009	BEARING (50X65X25)	1	
33	09116-08158	BOLT (8X35)	2	
34	56130-93J01	HOUSING, DRIVE SHAFT BRG	1	
35	09280-66004	O RING (D:3.1,ID:65.4)	1	
36	09282-24004	OIL SEAL (24X40X7)	2	
37	56140-93J10	HOUSING, REV GEAR BRG	1	
38	09262-60002	BEARING (60X85X13)	1	

FIG.130

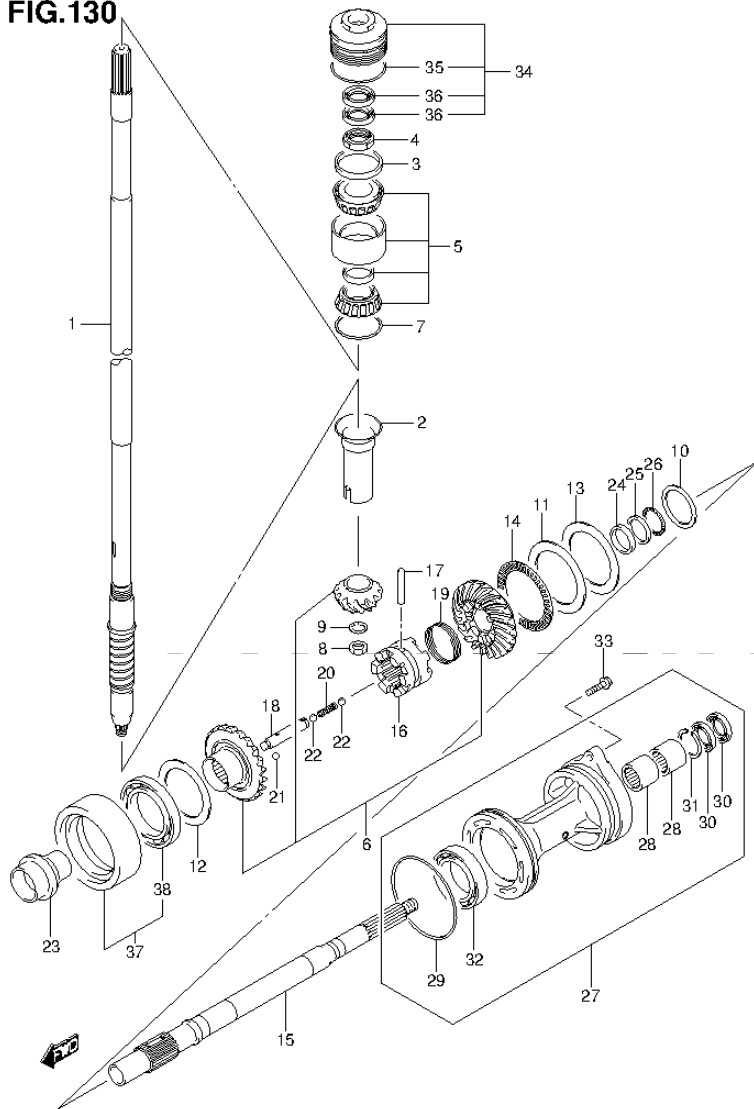


FIG.130 (2-F-4) TRANSMISSION (DF250Z E40)

REF NO.	PART NO.	DESCRIPTION	Q'TY	REMARKS
1-1	57110-93J00	SHAFT, DRIVE (X)	1	W/TRANSOM(X)
1-2	57110-93J10	SHAFT, DRIVE (XX)	1	W/TRANSOM(XX)
2	57133-93J00	COLLAR, DRIVE SHAFT	1	
3	57134-93J00	SPACER, DRIVE SHAFT BEARING	1	
4	09159-28003	NUT	1	
5	09269-32001	BEARING (32X66X49)	1	
6	57300-93852	PINION/GEAR SET	1	
7-1	09181-60004	SHIM (60X66X0.45)	1	
7-2	09181-60005	SHIM (60X66X0.5)	1	
7-3	09181-60006	SHIM (60X66X0.55)	1	
7-4	09181-60007	SHIM (60X66X0.6)	1	
7-5	09181-60008	SHIM (60X66X0.65)	1	
7-6	09181-60009	SHIM (60X66X0.7)	1	
7-7	09181-60010	SHIM (60X66X0.75)	1	
7-8	09181-60011	SHIM (60X66X0.8)	1	
7-9	09181-60012	SHIM (60X66X0.85)	1	
7-10	09181-60013	SHIM (60X66X0.9)	1	
8	09140-16021	NUT	1	
9	08221-16256	WASHER	1	
10-1	09160-35015	WASHER (35X46X0.6)	1	PROP SHAFT REV
10-2	09160-35013	WASHER (35X46X0.8)	1	PROP SHAFT REV
10-3	09160-35010	WASHER (35X46X1.15)	1	PROP SHAFT REV
10-4	09160-35004	WASHER (35X46X1.2)	1	PROP SHAFT REV
10-5	09160-35006	WASHER (35X46X0.9)	1	PROP SHAFT REV
10-6	09160-35002	WASHER (35X46X1)	1	PROP SHAFT REV
10-7	09160-35008	WASHER (35X46X0.95)	1	PROP SHAFT REV
10-8	09160-35003	WASHER (35X46X1.1)	1	PROP SHAFT REV
10-9	09160-35009	WASHER (35X46X1.05)	1	PROP SHAFT REV
11	09160-75002	WASHER (75X100X2)	1	FWD GEAR
12-1	09181-60004	SHIM (60X66X0.45)	1	REV GEAR
12-2	09181-60005	SHIM (60X66X0.5)	1	REV GEAR
12-3	09181-60006	SHIM (60X66X0.55)	1	REV GEAR
12-4	09181-60007	SHIM (60X66X0.6)	1	REV GEAR
12-5	09181-60008	SHIM (60X66X0.65)	1	REV GEAR

FIG.130

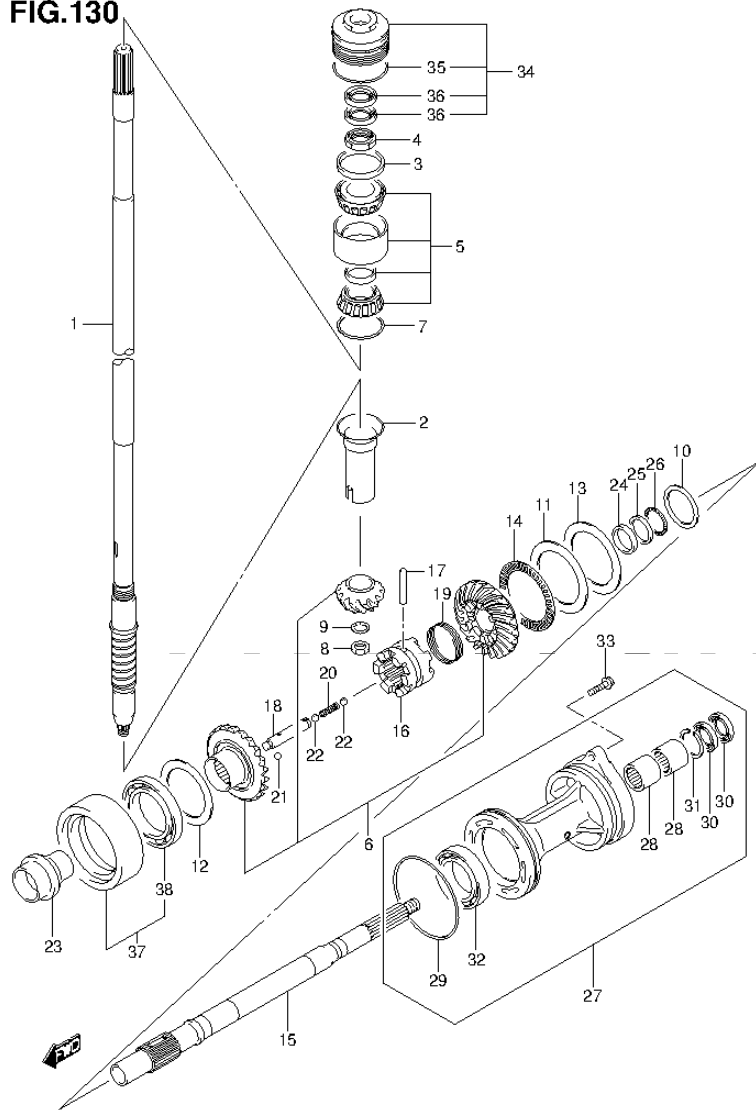


FIG.130 (2-F-5) TRANSMISSION (DF250Z E40)

REF NO.	PART NO.	DESCRIPTION	Q'TY	REMARKS
12-6	09181-60009	SHIM (60X66X0.7)	1	REV GEAR
12-7	09181-60010	SHIM (60X66X0.75)	1	REV GEAR
12-8	09181-60011	SHIM (60X66X0.8)	1	REV GEAR
12-9	09181-60012	SHIM (60X66X0.85)	1	REV GEAR
12-10	09181-60013	SHIM (60X66X0.9)	1	REV GEAR
13-1	09181-75018	SHIM (75X100X0.5)	1	FWD GEAR
13-2	09181-75019	SHIM (75X100X0.55)	1	FWD GEAR
13-3	09181-75012	SHIM (75X100X0.6)	1	FWD GEAR
13-4	09181-75013	SHIM (75X100X0.65)	1	FWD GEAR
13-5	09181-75008	SHIM (75X100X0.7)	1	FWD GEAR
13-6	09181-75014	SHIM (75X100X0.75)	1	FWD GEAR
13-7	09181-75009	SHIM (75X100X0.8)	1	FWD GEAR
13-8	09181-75015	SHIM (75X100X0.85)	1	FWD GEAR
13-9	09181-75010	SHIM (75X100X0.9)	1	FWD GEAR
13-10	09181-75016	SHIM (75X100X0.95)	1	FWD GEAR
13-11	09181-75011	SHIM (75X100X1)	1	FWD GEAR
14	09269-75002	BEARING (75X100X4)	1	FWD GEAR
15	57610-93J20	SHAFT, PROPELLER	1	
16	57621-93J20	SHIFTER, CLUTCH DOG	1	
17	09202-08007	PIN (8X49)	1	
18	57631-93J00	PIN, CONNECTOR	1	
19	09440-52003	SPRING	1	
20	09440-09040	SPRING	1	
21	06111-07004	BALL	2	
22	06111-11004	BALL	2	
23	57622-93J00	SPACER, FWD THRUST	1	
24	09160-30055	WASHER (30X47X6)	1	
25	09160-30056	WASHER (32X47X3)	1	
26	09269-30014	BEARING (30X47X2)	1	
27	56120-93J13-0EP	HOUSING, PROP SFT BRG (BLACK)	1	
28	09263-30023	BEARING (30X40X25)	2	
29	09280-00040	O RING (D:3.1,ID:104.4)	1	
30	09282-30006	OIL SEAL (30X45X6)	2	
31	09381-40003	CIRCLIP	1	

FIG.130

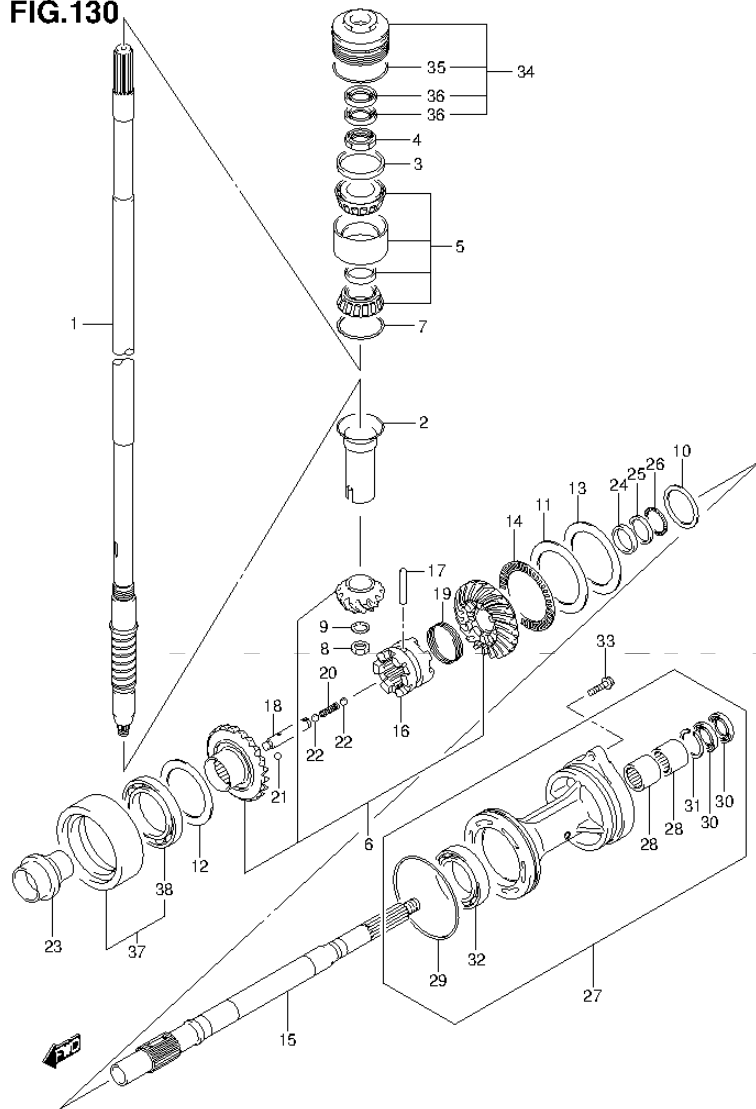


FIG.130 (2-F-6) TRANSMISSION (DF250Z E40)

REF NO.	PART NO.	DESCRIPTION	Q'TY	REMARKS
32	09263-50009	BEARING (50X65X25)	1	
33	09116-08158	BOLT (8X35)	2	
34	56130-93J01	HOUSING, DRIVE SHAFT BRG	1	
35	09280-66004	O RING (D:3.1,ID:65.4)	1	
36	09282-24004	OIL SEAL (24X40X7)	2	
37	56140-93J10	HOUSING, REV GEAR BRG	1	
38	09262-60002	BEARING (60X85X13)	1	

FIG.131

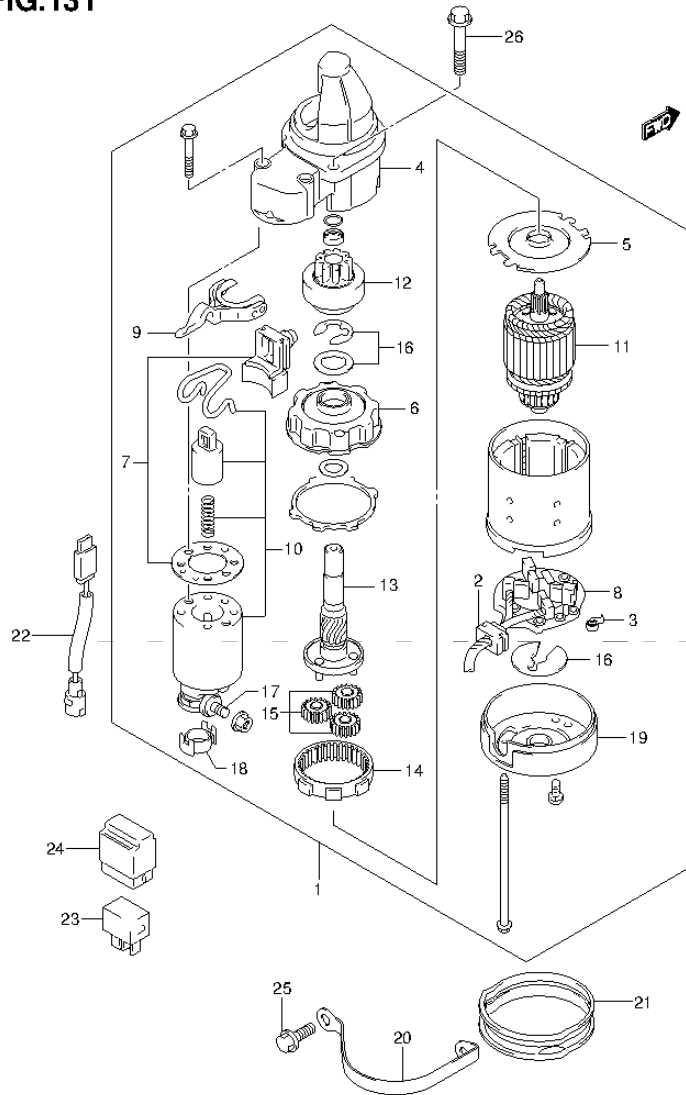


FIG.131 (2-F-7) STARTING MOTOR

REF NO.	PART NO.	DESCRIPTION	Q'TY	REMARKS
1	31100-96J01	STARTING MOTOR	1	
2	31131-90J01	BRUSH SET, PLUS	1	
3	31135-90J00	SPRING	4	
4	31151-94J00	CASE, GEAR	1	
5	31152-90J00	PLATE, CENTER	1	
6	31153-90J00	BRACKET, PLANET GEAR	1	
7	31171-96J00	COVER KIT, DUST	1	
8	31173-90J01	HOLDER, BRUSH	1	
9	31191-96J00	LEVER, SHIFT	1	
10	31220-94J00	SWITCH, MAGNET	1	
11	31310-90J00	ARMATURE	1	
12	31320-93J00	PINION	1	
13	31341-93J00	SHAFT, PINION	1	
14	31343-90J00	INTERNAL GEAR	1	
15	31344-90J00	GEAR, PLANETARY	3	
16	31360-93J01	WASHER SET	1	
17	31913-93J00	TERMINAL	1	
18	31914-93J00	CAP, TERMINAL	1	
19	31170-90J00	COVER ASSY, REAR	1	
20	31912-93J01	BAND, STARTING MOTOR	1	
21	31918-90J10	DAMPER, LOWER	1	
22	36645-93J00	LEAD WIRE	1	
23	38860-76F01	RELAY, STARTING MOTOR	1	
24	38915-90J00	HOLDER, RELAY	1	
25	01550-08207	BOLT	2	LOWER
26	01550-08307	BOLT	2	UPPER

FIG.132

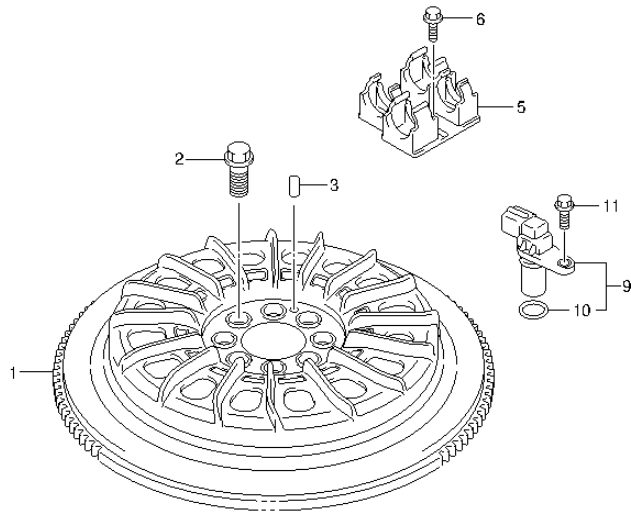


FIG.132 (2-F-8) MAGNETO (DF200T E1)

REF NO.	PART NO.	DESCRIPTION	Q'TY	REMARKS
1	32102-93J02	FLYWHEEL	1	
2	09103-12071	BOLT (12X26)	8	
3	09202-06031	PIN (6X12)	1	
4	32120-93J00	COIL, BATTERY CHARGING	1	
5	32131-93J00	HOLDER, STATOR CONNECTING	1	
6	01550-06167	BOLT	2	
7	32160-88L00	COIL, IGNITION TIMING	1	
8	09106-05030	BOLT (5X10)	2	
9	33220-69J00	SENSOR, CAM POSITION	1	
10	33221-42F00	O RING	1	
11	01550-06167	BOLT	1	
12	09103-06231	BOLT (6X35)	4	
13	09403-13408	CLAMP	2	
14	01550-06127	BOLT	2	

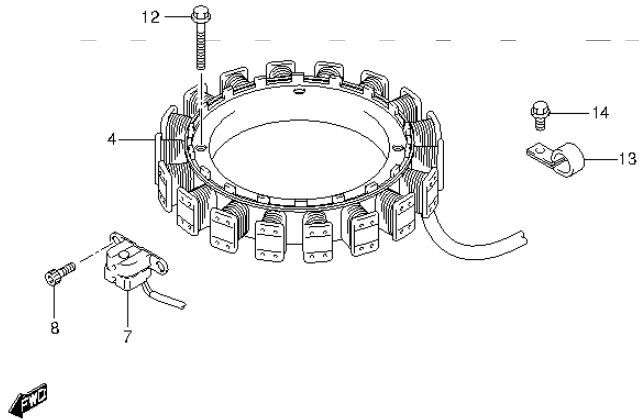


FIG.133

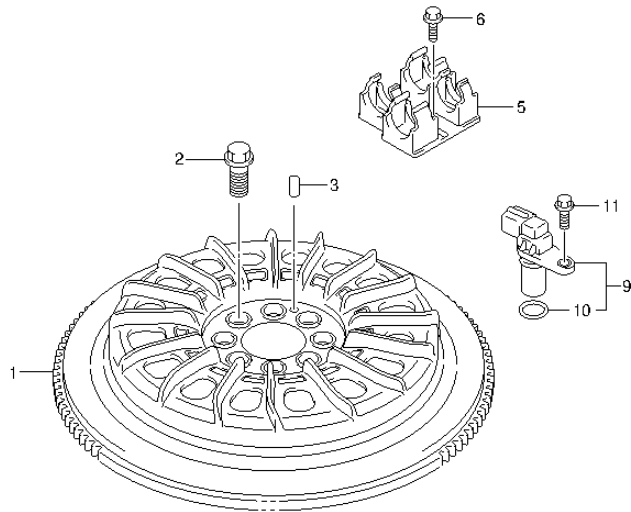


FIG.133 (2-F-9) MAGNETO (DF200T E40)

REF NO.	PART NO.	DESCRIPTION	Q'TY	REMARKS
1	32102-93J02	FLYWHEEL	1	
2	09103-12071	BOLT (12X26)	8	
3	09202-06031	PIN (6X12)	1	
4	32120-93J00	COIL, BATTERY CHARGING	1	
5	32131-93J00	HOLDER, STATOR CONNECTING	1	
6	01550-06167	BOLT	2	
7	32160-88L00	COIL, IGNITION TIMING	1	
8	09106-05030	BOLT (5X10)	2	
9	33220-69J00	SENSOR, CAM POSITION	1	
10	33221-42F00	O RING	1	
11	01550-06167	BOLT	1	
12	09103-06231	BOLT (6X35)	4	
13	09403-13408	CLAMP	2	
14	01550-06127	BOLT	2	

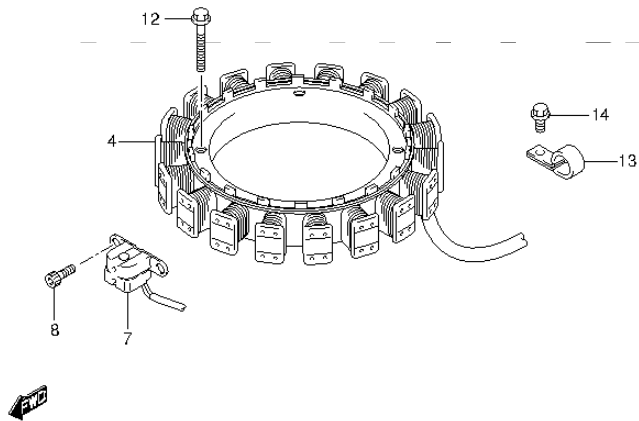


FIG.134

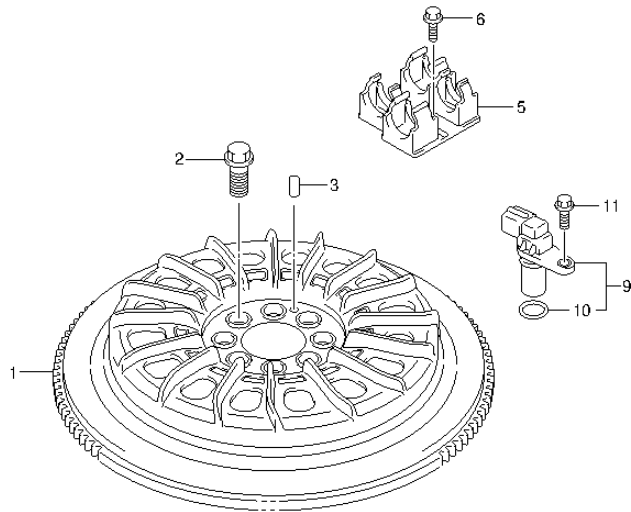


FIG.134 (2-F-10) MAGNETO (DF200Z E1)

REF NO.	PART NO.	DESCRIPTION	Q'TY	REMARKS
1	32102-93J02	FLYWHEEL	1	
2	09103-12071	BOLT (12X26)	8	
3	09202-06031	PIN (6X12)	1	
4	32120-93J00	COIL, BATTERY CHARGING	1	
5	32131-93J00	HOLDER, STATOR CONNECTING	1	
6	01550-06167	BOLT	2	
7	32160-88L00	COIL, IGNITION TIMING	1	
8	09106-05030	BOLT (5X10)	2	
9	33220-69J00	SENSOR, CAM POSITION	1	
10	33221-42F00	O RING	1	
11	01550-06167	BOLT	1	
12	09103-06231	BOLT (6X35)	4	
13	09403-13408	CLAMP	2	
14	01550-06127	BOLT	2	

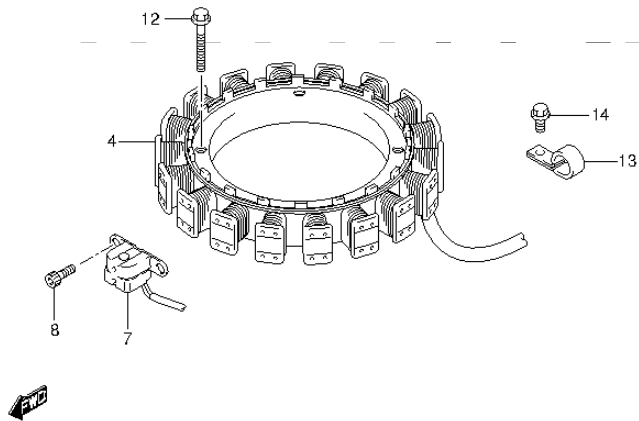


FIG.135

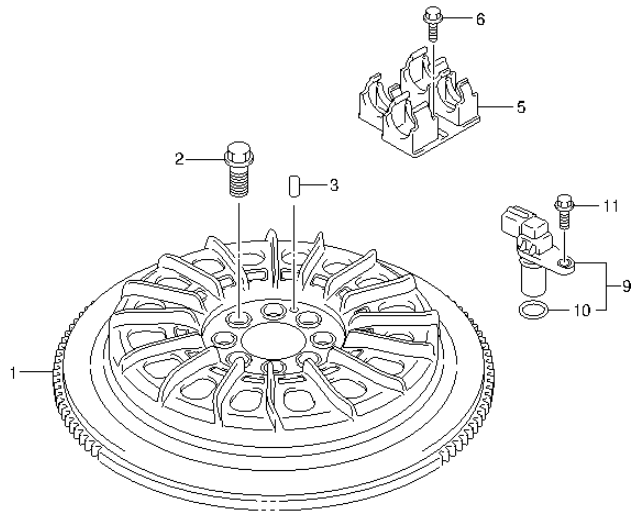


FIG.135 (2-F-11) MAGNETO (DF200Z E40)

REF NO.	PART NO.	DESCRIPTION	Q'TY	REMARKS
1	32102-93J02	FLYWHEEL	1	
2	09103-12071	BOLT (12X26)	8	
3	09202-06031	PIN (6X12)	1	
4	32120-93J00	COIL, BATTERY CHARGING	1	
5	32131-93J00	HOLDER, STATOR CONNECTING	1	
6	01550-06167	BOLT	2	
7	32160-88L00	COIL, IGNITION TIMING	1	
8	09106-05030	BOLT (5X10)	2	
9	33220-69J00	SENSOR, CAM POSITION	1	
10	33221-42F00	O RING	1	
11	01550-06167	BOLT	1	
12	09103-06231	BOLT (6X35)	4	
13	09403-13408	CLAMP	2	
14	01550-06127	BOLT	2	

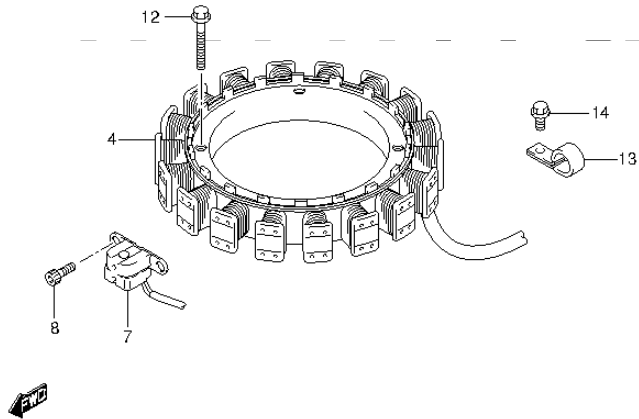


FIG.136

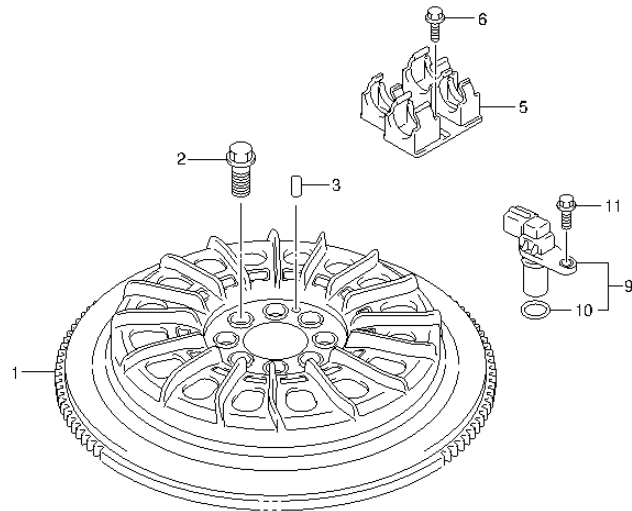


FIG.136 (2-F-12) MAGNETO (DF225T E1)

REF NO.	PART NO.	DESCRIPTION	Q'TY	REMARKS
1	32102-93J02	FLYWHEEL	1	
2	09103-12071	BOLT (12X26)	8	
3	09202-06031	PIN (6X12)	1	
4	32120-93J00	COIL, BATTERY CHARGING	1	
5	32131-93J00	HOLDER, STATOR CONNECTING	1	
6	01550-06167	BOLT	2	
7	32160-88L00	COIL, IGNITION TIMING	1	
8	09106-05030	BOLT (5X10)	2	
9	33220-69J00	SENSOR, CAM POSITION	1	
10	33221-42F00	O RING	1	
11	01550-06167	BOLT	1	
12	09103-06231	BOLT (6X35)	4	
13	09403-13408	CLAMP	2	
14	01550-06127	BOLT	2	

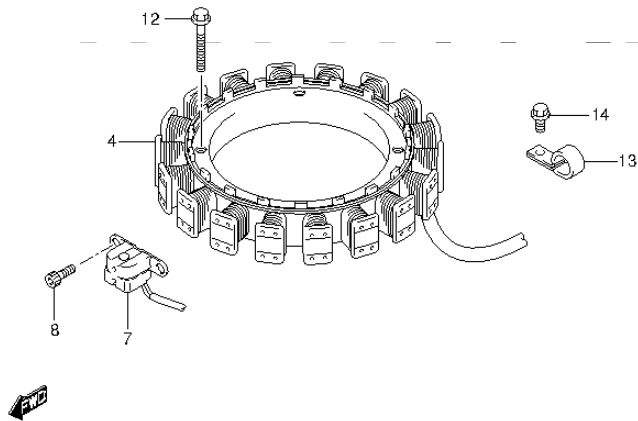


FIG.137

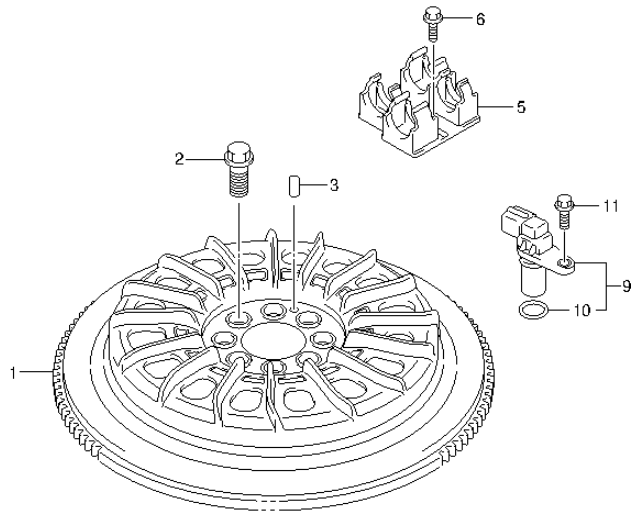


FIG.137 (2-F-13) MAGNETO (DF225T E40)

REF NO.	PART NO.	DESCRIPTION	Q'TY	REMARKS
1	32102-93J02	FLYWHEEL	1	
2	09103-12071	BOLT (12X26)	8	
3	09202-06031	PIN (6X12)	1	
4	32120-93J00	COIL, BATTERY CHARGING	1	
5	32131-93J00	HOLDER, STATOR CONNECTING	1	
6	01550-06167	BOLT	2	
7	32160-88L00	COIL, IGNITION TIMING	1	
8	09106-05030	BOLT (5X10)	2	
9	33220-69J00	SENSOR, CAM POSITION	1	
10	33221-42F00	O RING	1	
11	01550-06167	BOLT	1	
12	09103-06231	BOLT (6X35)	4	
13	09403-13408	CLAMP	2	
14	01550-06127	BOLT	2	

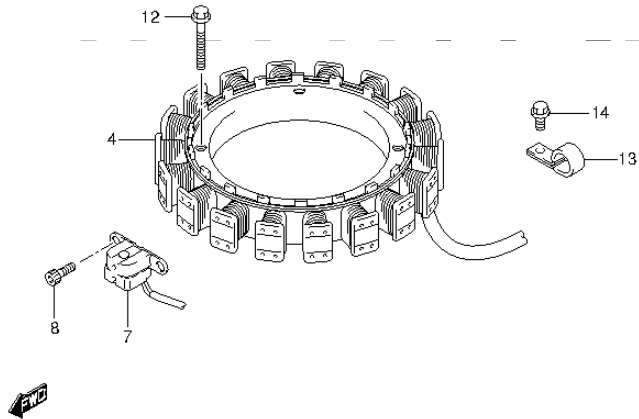


FIG.138

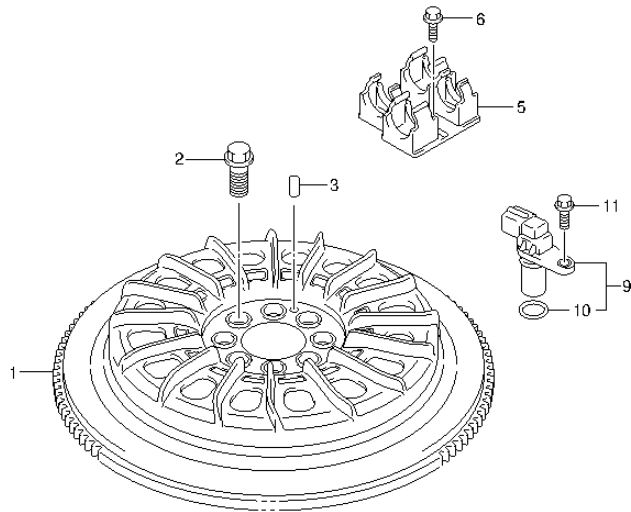


FIG.138 (2-F-14) MAGNETO (DF225Z E1)

REF NO.	PART NO.	DESCRIPTION	Q'TY	REMARKS
1	32102-93J02	FLYWHEEL	1	
2	09103-12071	BOLT (12X26)	8	
3	09202-06031	PIN (6X12)	1	
4	32120-93J00	COIL, BATTERY CHARGING	1	
5	32131-93J00	HOLDER, STATOR CONNECTING	1	
6	01550-06167	BOLT	2	
7	32160-88L00	COIL, IGNITION TIMING	1	
8	09106-05030	BOLT (5X10)	2	
9	33220-69J00	SENSOR, CAM POSITION	1	
10	33221-42F00	O RING	1	
11	01550-06167	BOLT	1	
12	09103-06231	BOLT (6X35)	4	
13	09403-13408	CLAMP	2	
14	01550-06127	BOLT	2	

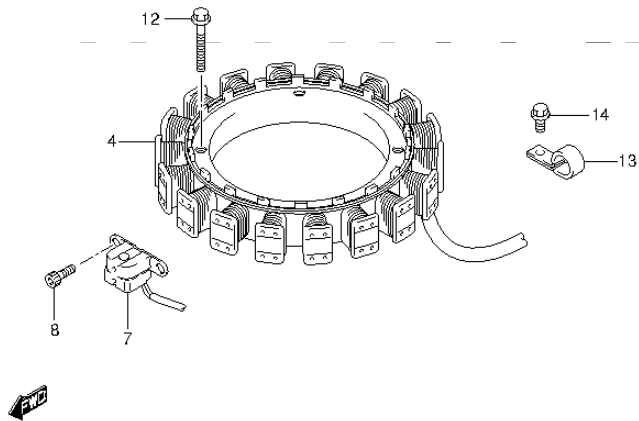


FIG.139

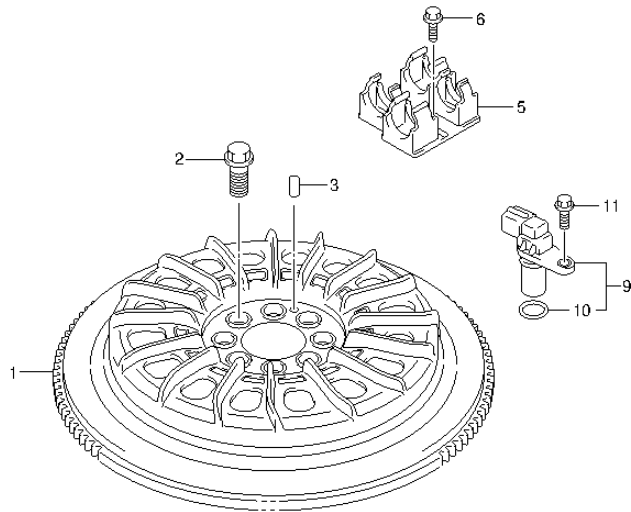


FIG.139 (2-F-15) MAGNETO (DF225Z E40)

REF NO.	PART NO.	DESCRIPTION	Q'TY	REMARKS
1	32102-93J02	FLYWHEEL	1	
2	09103-12071	BOLT (12X26)	8	
3	09202-06031	PIN (6X12)	1	
4	32120-93J00	COIL, BATTERY CHARGING	1	
5	32131-93J00	HOLDER, STATOR CONNECTING	1	
6	01550-06167	BOLT	2	
7	32160-88L00	COIL, IGNITION TIMING	1	
8	09106-05030	BOLT (5X10)	2	
9	33220-69J00	SENSOR, CAM POSITION	1	
10	33221-42F00	O RING	1	
11	01550-06167	BOLT	1	
12	09103-06231	BOLT (6X35)	4	
13	09403-13408	CLAMP	2	
14	01550-06127	BOLT	2	

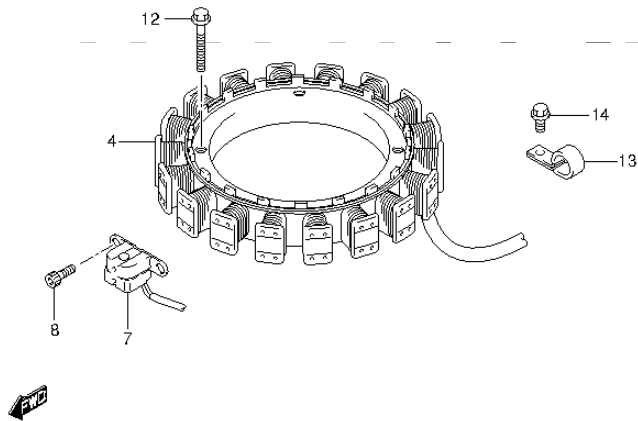


FIG.140

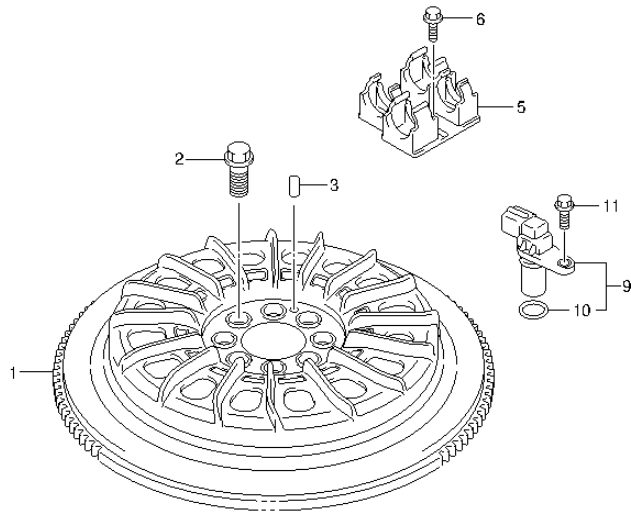


FIG.140 (2-G-2) MAGNETO (DF250T E1)

REF NO.	PART NO.	DESCRIPTION	Q'TY	REMARKS
1	32102-93J02	FLYWHEEL	1	
2	09103-12071	BOLT (12X26)	8	
3	09202-06031	PIN (6X12)	1	
4	32120-93J00	COIL, BATTERY CHARGING	1	
5	32131-93J00	HOLDER, STATOR CONNECTING	1	
6	01550-06167	BOLT	2	
7	32160-88L00	COIL, IGNITION TIMING	1	
8	09106-05030	BOLT (5X10)	2	
9	33220-69J00	SENSOR, CAM POSITION	3	
10	33221-42F00	O RING	3	
11	01550-06167	BOLT	3	
12	09103-06231	BOLT (6X35)	4	
13	09403-13408	CLAMP	2	
14	01550-06127	BOLT	2	

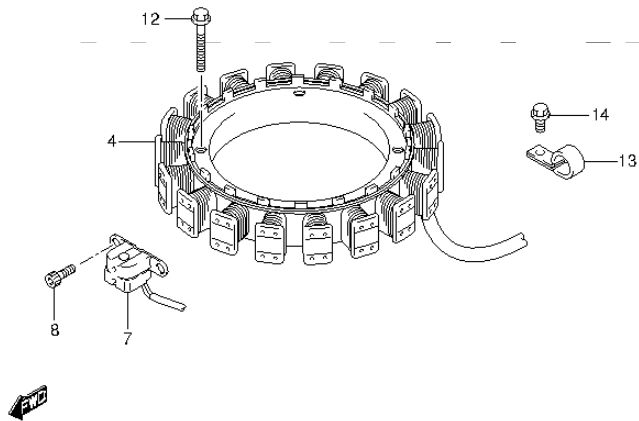


FIG.141

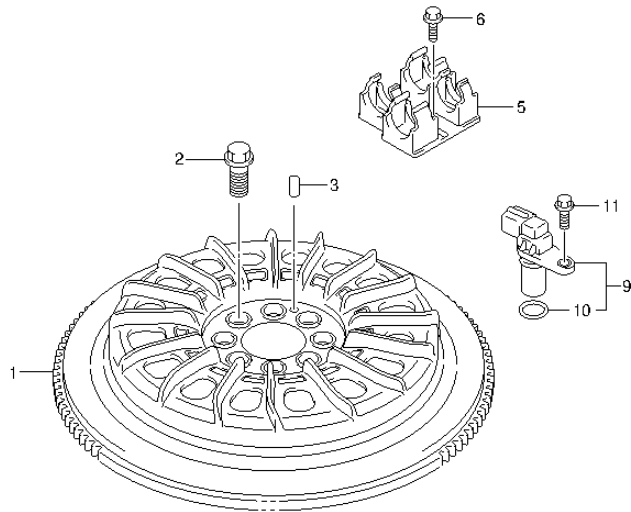


FIG.141 (2-G-3) MAGNETO (DF250T E40)

REF NO.	PART NO.	DESCRIPTION	Q'TY	REMARKS
1	32102-93J02	FLYWHEEL	1	
2	09103-12071	BOLT (12X26)	8	
3	09202-06031	PIN (6X12)	1	
4	32120-93J00	COIL, BATTERY CHARGING	1	
5	32131-93J00	HOLDER, STATOR CONNECTING	1	
6	01550-06167	BOLT	2	
7	32160-88L00	COIL, IGNITION TIMING	1	
8	09106-05030	BOLT (5X10)	2	
9	33220-69J00	SENSOR, CAM POSITION	3	
10	33221-42F00	O RING	3	
11	01550-06167	BOLT	3	
12	09103-06231	BOLT (6X35)	4	
13	09403-13408	CLAMP	2	
14	01550-06127	BOLT	2	

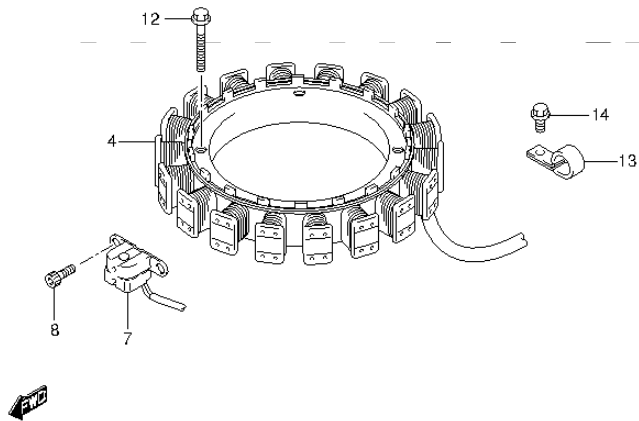


FIG.142

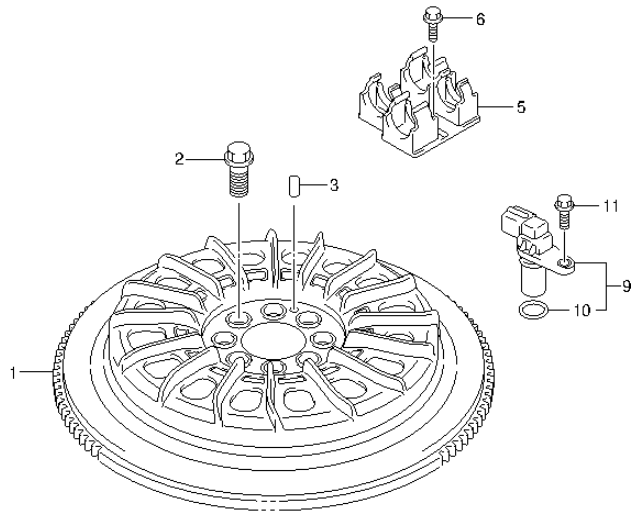


FIG.142 (2-G-4) MAGNETO (DF250Z E1)

REF NO.	PART NO.	DESCRIPTION	Q'TY	REMARKS
1	32102-93J02	FLYWHEEL	1	
2	09103-12071	BOLT (12X26)	8	
3	09202-06031	PIN (6X12)	1	
4	32120-93J00	COIL, BATTERY CHARGING	1	
5	32131-93J00	HOLDER, STATOR CONNECTING	1	
6	01550-06167	BOLT	2	
7	32160-88L00	COIL, IGNITION TIMING	1	
8	09106-05030	BOLT (5X10)	2	
9	33220-69J00	SENSOR, CAM POSITION	3	
10	33221-42F00	O RING	3	
11	01550-06167	BOLT	3	
12	09103-06231	BOLT (6X35)	4	
13	09403-13408	CLAMP	2	
14	01550-06127	BOLT	2	

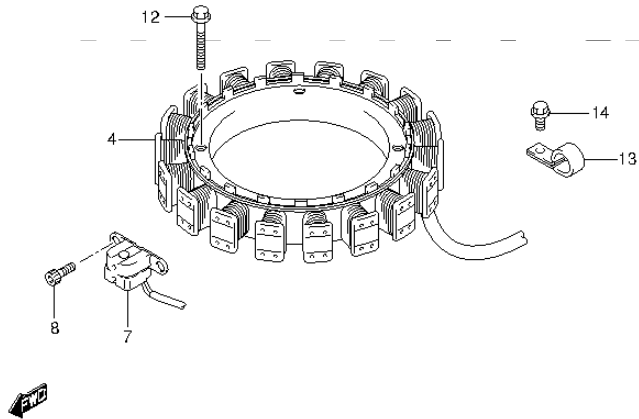


FIG.143

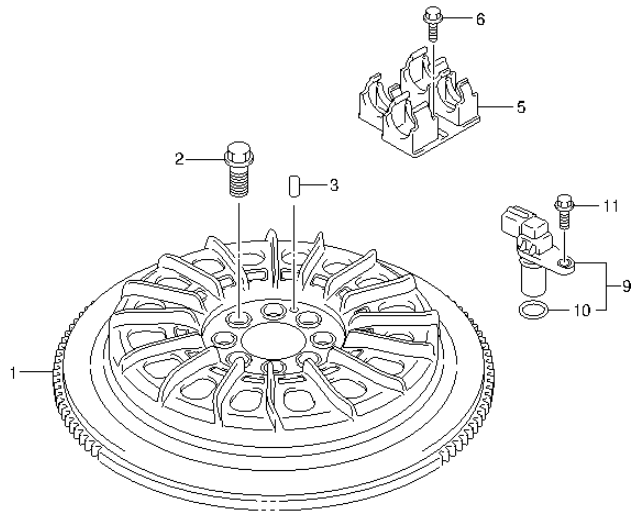


FIG.143 (2-G-5) MAGNETO (DF250Z E40)

REF NO.	PART NO.	DESCRIPTION	Q'TY	REMARKS
1	32102-93J02	FLYWHEEL	1	
2	09103-12071	BOLT (12X26)	8	
3	09202-06031	PIN (6X12)	1	
4	32120-93J00	COIL, BATTERY CHARGING	1	
5	32131-93J00	HOLDER, STATOR CONNECTING	1	
6	01550-06167	BOLT	2	
7	32160-88L00	COIL, IGNITION TIMING	1	
8	09106-05030	BOLT (5X10)	2	
9	33220-69J00	SENSOR, CAM POSITION	3	
10	33221-42F00	O RING	3	
11	01550-06167	BOLT	3	
12	09103-06231	BOLT (6X35)	4	
13	09403-13408	CLAMP	2	
14	01550-06127	BOLT	2	

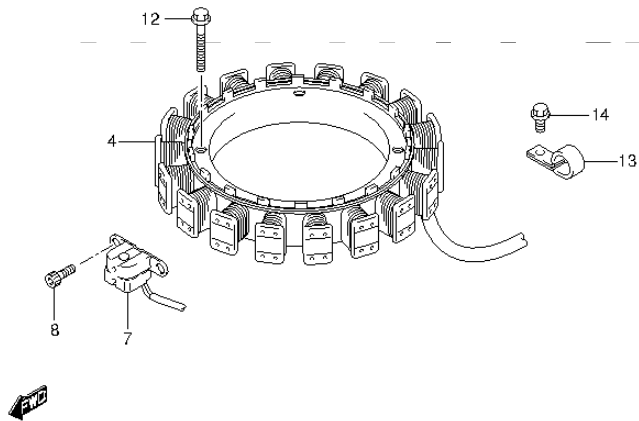


FIG.144

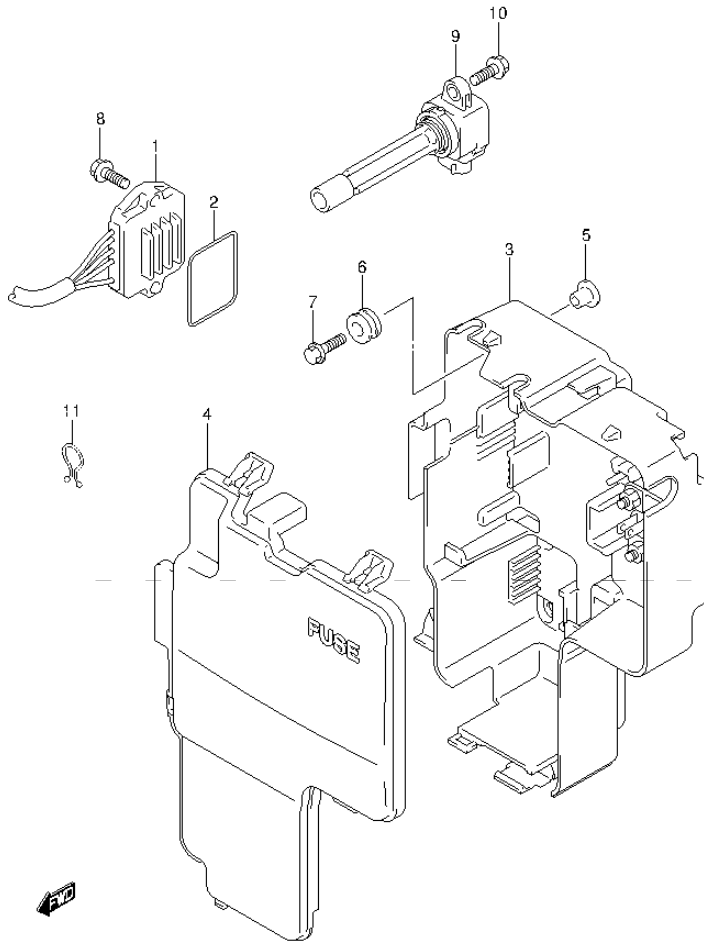


FIG.144 (2-G-6) RECTIFIER / IGNITION COIL

REF NO.	PART NO.	DESCRIPTION	Q'TY	REMARKS
1	32800-93J03	RECTIFIER & REGULATOR	2	
2	32805-93J00	O RING, RECTIFIER & REGULATOR	2	
3	32890-93J01	HOLDER, ELECTRIC PARTS	1	
4	32891-93J00	COVER, ELECTRIC PARTS HOLDER	1	
5	09169-06062	WASHER	4	
6	09320-09016	CUSHION	4	
7	09116-06202	BOLT (6X25)	4	
8	01550-06257	BOLT	4	
9	33410-93J00	COIL ASSY, IGNITION	6	
10	01547-06207	BOLT	6	
11	09408-00021	CLIP (ID:16)	1	

FIG.145

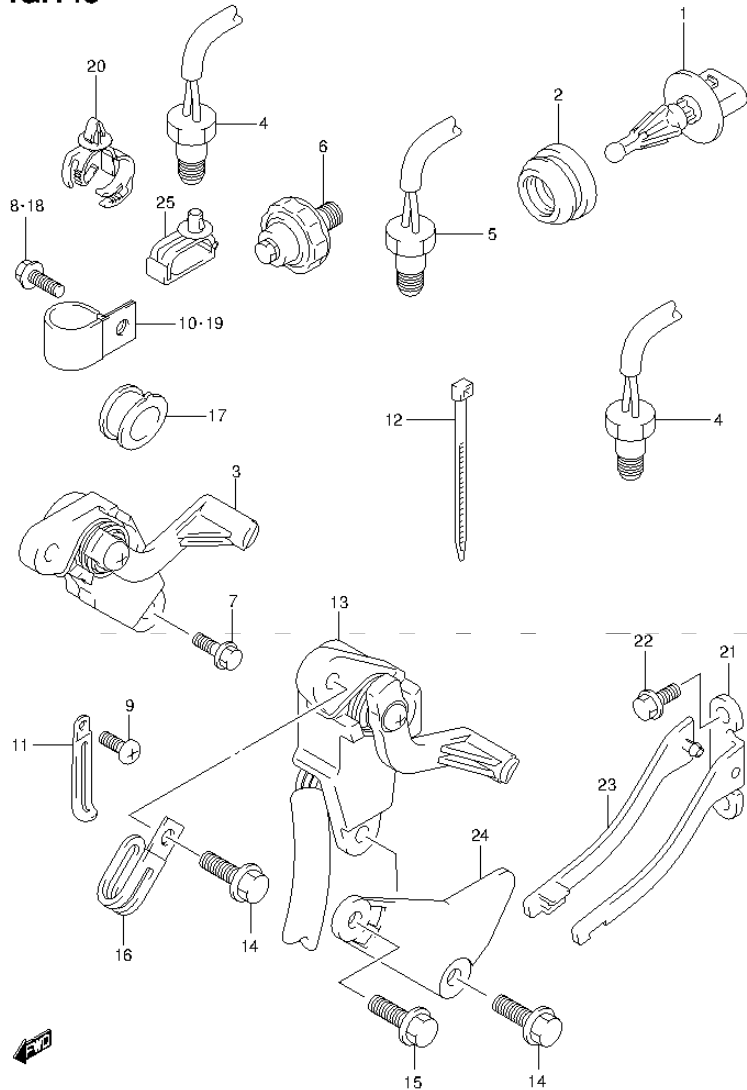


FIG.145 (2-G-7) SENSOR (DF200T E1)

REF NO.	PART NO.	DESCRIPTION	Q'TY	REMARKS
1	13650-52G00	SENSOR, INLET AIR TEMP	1	
2	13655-87J00	GROMMET, AIR TEMP SENSOR	1	
3	34801-93J03	SENDER ASSY, TRIM	1	W/TRANSOM(X,XX)
4	34830-87J20	SENSOR ASSY, EXHAUST TEMP	2	
5	34830-87J20	SENSOR ASSY, CYLINDER TEMP	1	
6	37820-99E01	SWITCH ASSY, OIL PRESSURE	1	
7	09100-06113	BOLT (6X16)	2	W/TRANSOM(X,XX)
8	29103-93J00	BOLT, TRIM SENDER CLAMP	1	W/TRANSOM(X,XX)
9	09125-06063	SCREW (6X10)	1	W/TRANSOM(X,XX)
10	09403-19409	CLAMP	1	W/TRANSOM(X,XX)
11	29404-93J10	CLAMP, TRIM SENDER	1	W/TRANSOM(X,XX)
12	09407-14407	CLAMP (L:145)	2	
13	34801-99E04	SENDER ASSY, TRIM	1	W/TRANSOM(L)
14	09103-06093	BOLT (6X20)	2	W/TRANSOM(L)
15	09103-06093	BOLT (6X20)	1	W/TRANSOM(L)
16	29404-93J20	CLAMP, TRIM SENDER LEAD	1	W/TRANSOM(L)
17	34813-93J00	PROTECTOR, LEAD WIRE	1	W/TRANSOM(L)
18	29103-93J00	BOLT, PTT MOTOR LEAD CLAMP	1	W/TRANSOM(L)
19	09403-19409	CLAMP	1	W/TRANSOM(L)
20	09403-20308	CLAMP	1	W/TRANSOM(L)
21	43117-96J00	CAM, TRIM SENDER	1	W/TRANSOM(L)
22	09116-05010	BOLT (5X12)	2	W/TRANSOM(L)
23	43118-96J00	PLATE, TRIM SENDER CAM	1	W/TRANSOM(L)
24	41118-96J00	PLATE, TRIM SENDER	1	W/TRANSOM(L)
25	09403-07340	CLAMP	1	W/TRANSOM(X,XX)

FIG.146

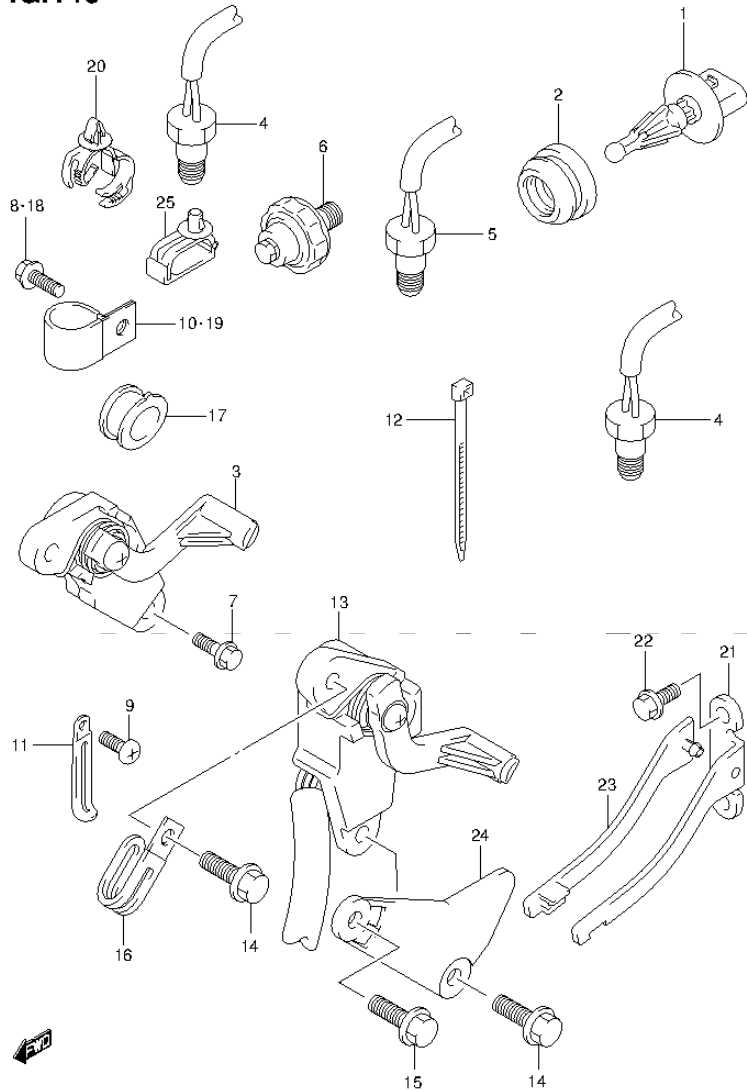


FIG.146 (2-G-8) SENSOR (DF200T E40)

REF NO.	PART NO.	DESCRIPTION	Q'TY	REMARKS
1	13650-52G00	SENSOR, INLET AIR TEMP	1	
2	13655-87J00	GROMMET, AIR TEMP SENSOR	1	
3	34801-93J03	SENDER ASSY, TRIM	1	W/TRANSOM(X)
4	34830-87J20	SENSOR ASSY, EXHAUST TEMP	2	
5	34830-87J20	SENSOR ASSY, CYLINDER TEMP	1	
6	37820-99E01	SWITCH ASSY, OIL PRESSURE	1	
7	09100-06113	BOLT (6X16)	2	W/TRANSOM(X)
8	29103-93J00	BOLT, TRIM SENDER CLAMP	1	W/TRANSOM(X)
9	09125-06063	SCREW (6X10)	1	W/TRANSOM(X)
10	09403-19409	CLAMP	1	W/TRANSOM(X)
11	29404-93J10	CLAMP, TRIM SENDER	1	W/TRANSOM(X)
12	09407-14407	CLAMP (L:145)	2	
13	34801-99E04	SENDER ASSY, TRIM	1	W/TRANSOM(L)
14	09103-06093	BOLT (6X20)	2	W/TRANSOM(L)
15	09103-06093	BOLT (6X20)	1	W/TRANSOM(L)
16	29404-93J20	CLAMP, TRIM SENDER LEAD	1	W/TRANSOM(L)
17	34813-93J00	PROTECTOR, LEAD WIRE	1	W/TRANSOM(L)
18	29103-93J00	BOLT, PTT MOTOR LEAD CLAMP	1	W/TRANSOM(L)
19	09403-19409	CLAMP	1	W/TRANSOM(L)
20	09403-20308	CLAMP	1	W/TRANSOM(L)
21	43117-96J00	CAM, TRIM SENDER	1	W/TRANSOM(L)
22	09116-05010	BOLT (5X12)	2	W/TRANSOM(L)
23	43118-96J00	PLATE, TRIM SENDER CAM	1	W/TRANSOM(L)
24	41118-96J00	PLATE, TRIM SENDER	1	W/TRANSOM(L)
25	09403-07340	CLAMP	1	W/TRANSOM(X)

FIG.147

FIG.147 (2-G-9) SENSOR (DF200Z E1)

REF NO.	PART NO.	DESCRIPTION	Q'TY	REMARKS
1	13650-52G00	SENSOR, INLET AIR TEMP	1	
2	13655-87J00	GROMMET, AIR TEMP SENSOR	1	
3	34801-93J03	SENDER ASSY, TRIM	1	
4	34830-87J20	SENSOR ASSY, EXHAUST TEMP	2	
5	34830-87J20	SENSOR ASSY, CYLINDER TEMP	1	
6	37820-99E01	SWITCH ASSY, OIL PRESSURE	1	
7	09100-06113	BOLT (6X16)	2	
8	29103-93J00	BOLT, TRIM SENDER CLAMP	1	
9	09125-06063	SCREW (6X10)	1	
10	09403-19409	CLAMP	1	
11	29404-93J10	CLAMP, TRIM SENDER	1	
12	09407-14407	CLAMP (L:145)	2	
13	09403-07340	CLAMP	1	

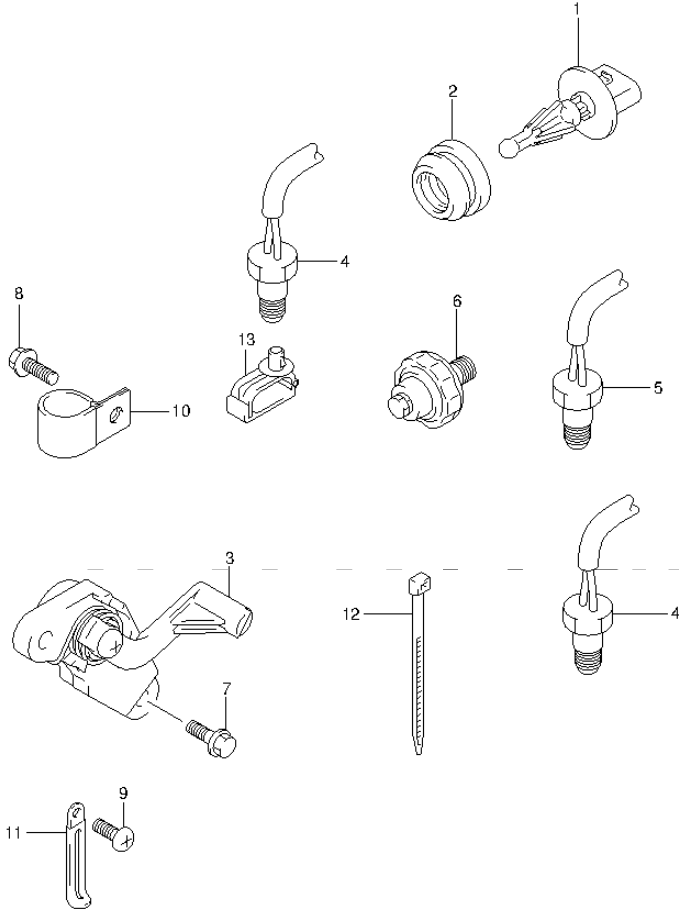
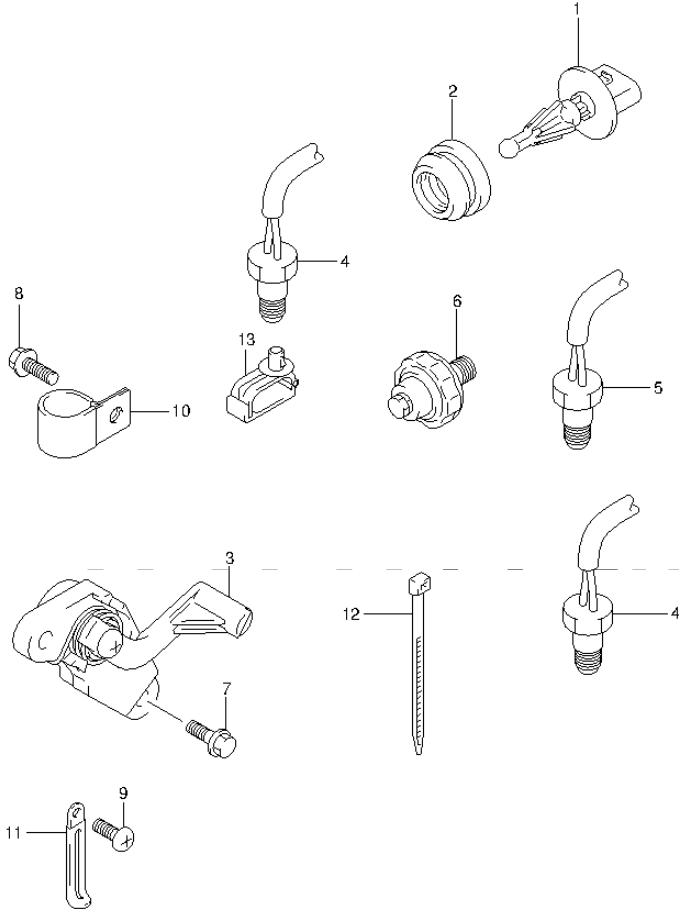


FIG.148

FIG.148 (2-G-10) SENSOR (DF200Z E40)



REF NO.	PART NO.	DESCRIPTION	Q'TY	REMARKS
1	13650-52G00	SENSOR, INLET AIR TEMP	1	
2	13655-87J00	GROMMET, AIR TEMP SENSOR	1	
3	34801-93J03	SENDER ASSY, TRIM	1	
4	34830-87J20	SENSOR ASSY, EXHAUST TEMP	2	
5	34830-87J20	SENSOR ASSY, CYLINDER TEMP	1	
6	37820-99E01	SWITCH ASSY, OIL PRESSURE	1	
7	09100-06113	BOLT (6X16)	2	
8	29103-93J00	BOLT, TRIM SENDER CLAMP	1	
9	09125-06063	SCREW (6X10)	1	
10	09403-19409	CLAMP	1	
11	29404-93J10	CLAMP, TRIM SENDER	1	
12	09407-14407	CLAMP (L:145)	2	
13	09403-07340	CLAMP	1	

FIG.149

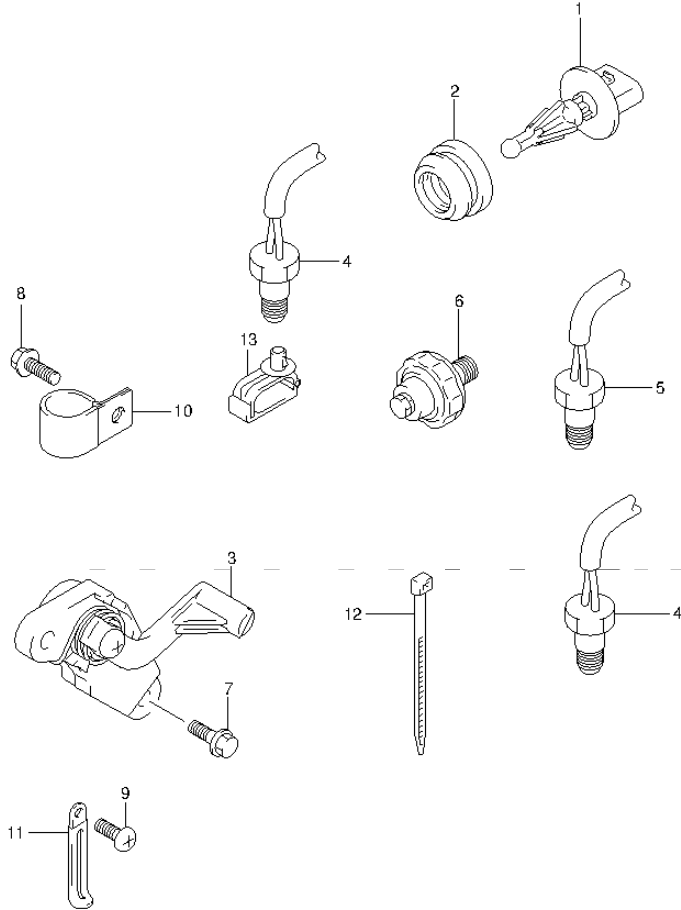


FIG.149 (2-G-11) SENSOR (DF225T E1)

REF NO.	PART NO.	DESCRIPTION	Q'TY	REMARKS
1	13650-52G00	SENSOR, INLET AIR TEMP	1	
2	13655-87J00	GROMMET, AIR TEMP SENSOR	1	
3	34801-93J03	SENDER ASSY, TRIM	1	
4	34830-87J20	SENSOR ASSY, EXHAUST TEMP	2	
5	34830-87J20	SENSOR ASSY, CYLINDER TEMP	1	
6	37820-99E01	SWITCH ASSY, OIL PRESSURE	1	
7	09100-06113	BOLT (6X16)	2	
8	29103-93J00	BOLT, TRIM SENDER CLAMP	1	
9	09125-06063	SCREW (6X10)	1	
10	09403-19409	CLAMP	1	
11	29404-93J10	CLAMP, TRIM SENDER	1	
12	09407-14407	CLAMP (L:145)	2	
13	09403-07340	CLAMP	1	



FIG.150

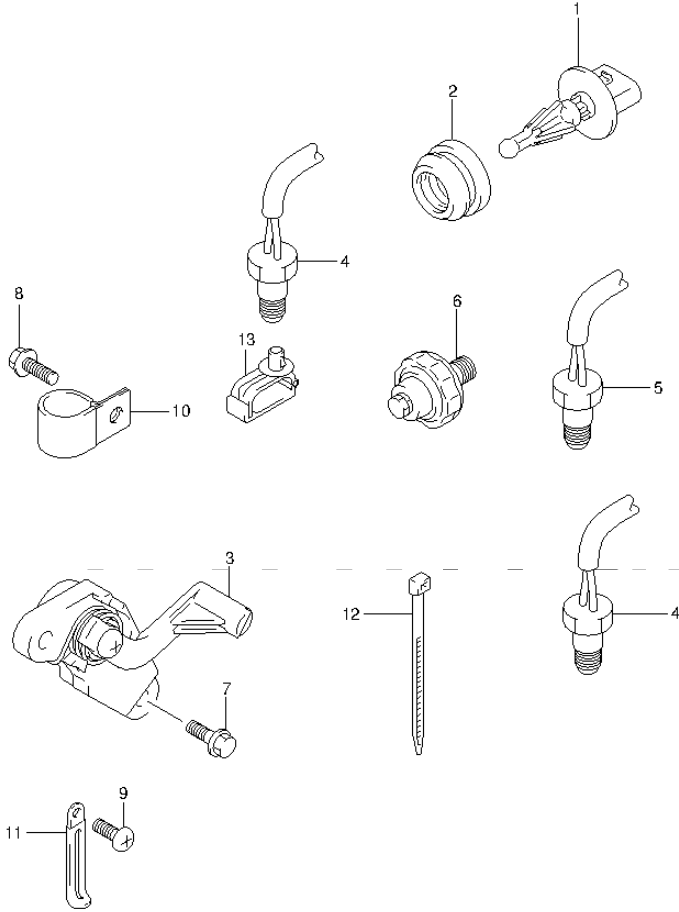


FIG.150 (2-G-12) SENSOR (DF225T E40)

REF NO.	PART NO.	DESCRIPTION	Q'TY	REMARKS
1	13650-52G00	SENSOR, INLET AIR TEMP	1	
2	13655-87J00	GROMMET, AIR TEMP SENSOR	1	
3	34801-93J03	SENDER ASSY, TRIM	1	
4	34830-87J20	SENSOR ASSY, EXHAUST TEMP	2	
5	34830-87J20	SENSOR ASSY, CYLINDER TEMP	1	
6	37820-99E01	SWITCH ASSY, OIL PRESSURE	1	
7	09100-06113	BOLT (6X16)	2	
8	29103-93J00	BOLT, TRIM SENDER CLAMP	1	
9	09125-06063	SCREW (6X10)	1	
10	09403-19409	CLAMP	1	
11	29404-93J10	CLAMP, TRIM SENDER	1	
12	09407-14407	CLAMP (L:145)	2	
13	09403-07340	CLAMP	1	



FIG.151

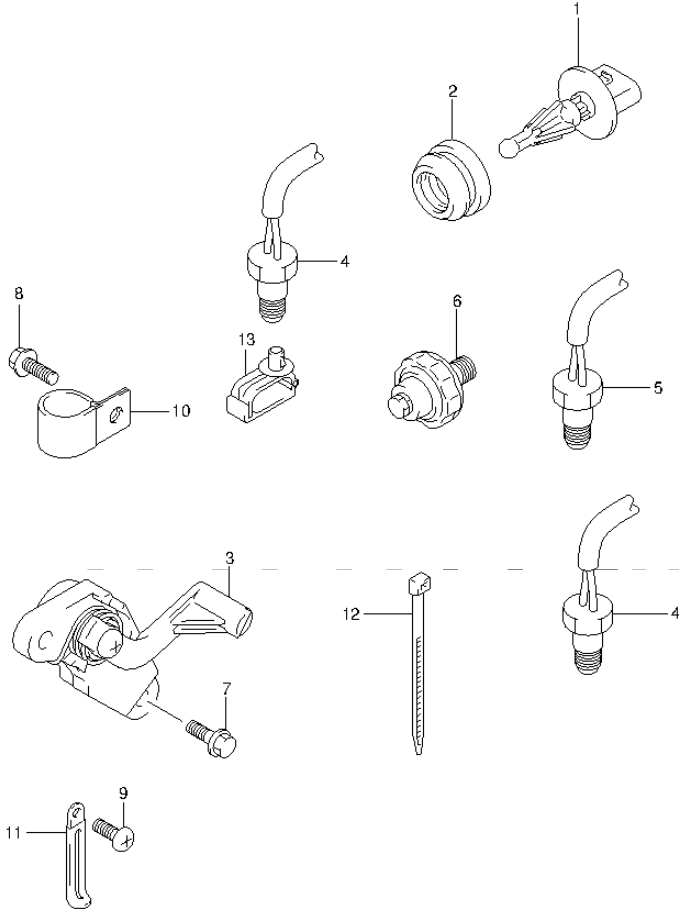


FIG.151 (2-G-13) SENSOR (DF225Z E1)

REF NO.	PART NO.	DESCRIPTION	Q'TY	REMARKS
1	13650-52G00	SENSOR, INLET AIR TEMP	1	
2	13655-87J00	GROMMET, AIR TEMP SENSOR	1	
3	34801-93J03	SENDER ASSY, TRIM	1	
4	34830-87J20	SENSOR ASSY, EXHAUST TEMP	2	
5	34830-87J20	SENSOR ASSY, CYLINDER TEMP	1	
6	37820-99E01	SWITCH ASSY, OIL PRESSURE	1	
7	09100-06113	BOLT (6X16)	2	
8	29103-93J00	BOLT, TRIM SENDER CLAMP	1	
9	09125-06063	SCREW (6X10)	1	
10	09403-19409	CLAMP	1	
11	29404-93J10	CLAMP, TRIM SENDER	1	
12	09407-14407	CLAMP (L:145)	2	
13	09403-07340	CLAMP	1	

FIG.152

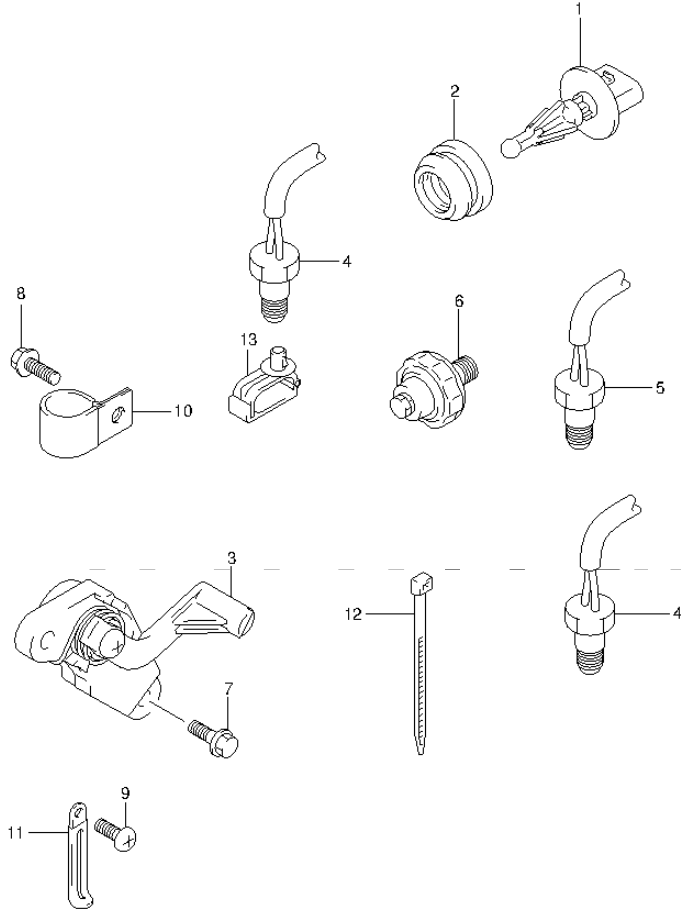


FIG.152 (2-G-14) SENSOR (DF225Z E40)

REF NO.	PART NO.	DESCRIPTION	Q'TY	REMARKS
1	13650-52G00	SENSOR, INLET AIR TEMP	1	
2	13655-87J00	GROMMET, AIR TEMP SENSOR	1	
3	34801-93J03	SENDER ASSY, TRIM	1	
4	34830-87J20	SENSOR ASSY, EXHAUST TEMP	2	
5	34830-87J20	SENSOR ASSY, CYLINDER TEMP	1	
6	37820-99E01	SWITCH ASSY, OIL PRESSURE	1	
7	09100-06113	BOLT (6X16)	2	
8	29103-93J00	BOLT, TRIM SENDER CLAMP	1	
9	09125-06063	SCREW (6X10)	1	
10	09403-19409	CLAMP	1	
11	29404-93J10	CLAMP, TRIM SENDER	1	
12	09407-14407	CLAMP (L:145)	2	
13	09403-07340	CLAMP	1	



FIG.153

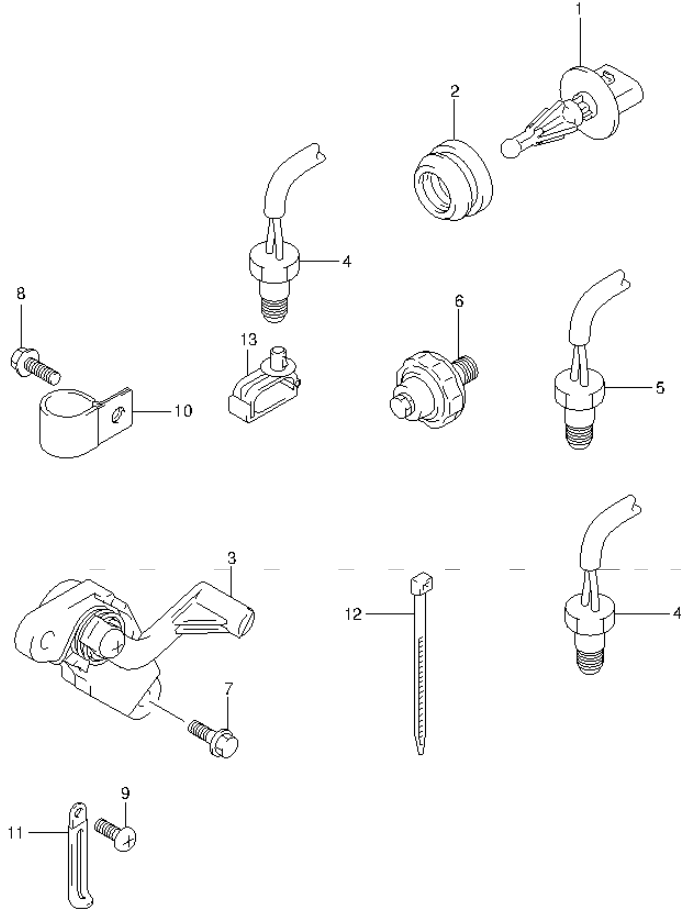


FIG.153 (2-G-15) SENSOR (DF250T E1)

REF NO.	PART NO.	DESCRIPTION	Q'TY	REMARKS
1	13650-52G00	SENSOR, INLET AIR TEMP	1	
2	13655-87J00	GROMMET, AIR TEMP SENSOR	1	
3	34801-93J03	SENDER ASSY, TRIM	1	
4	34830-87J20	SENSOR ASSY, EXHAUST TEMP	2	
5	34830-87J20	SENSOR ASSY, CYLINDER TEMP	1	
6	37820-99E01	SWITCH ASSY, OIL PRESSURE	1	
7	09100-06113	BOLT (6X16)	2	
8	29103-93J00	BOLT, TRIM SENDER CLAMP	1	
9	09125-06063	SCREW (6X10)	1	
10	09403-19409	CLAMP	1	
11	29404-93J10	CLAMP, TRIM SENDER	1	
12	09407-14407	CLAMP (L:145)	2	
13	09403-07340	CLAMP	1	



FIG.154

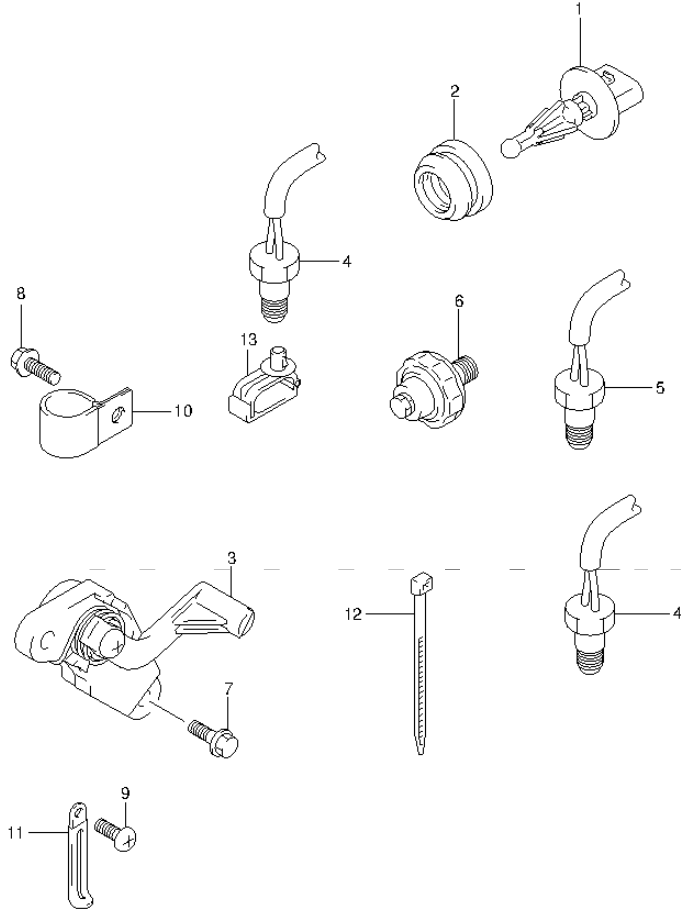


FIG.154 (2-H-2) SENSOR (DF250T E40)

REF NO.	PART NO.	DESCRIPTION	Q'TY	REMARKS
1	13650-52G00	SENSOR, INLET AIR TEMP	1	
2	13655-87J00	GROMMET, AIR TEMP SENSOR	1	
3	34801-93J03	SENDER ASSY, TRIM	1	
4	34830-87J20	SENSOR ASSY, EXHAUST TEMP	2	
5	34830-87J20	SENSOR ASSY, CYLINDER TEMP	1	
6	37820-99E01	SWITCH ASSY, OIL PRESSURE	1	
7	09100-06113	BOLT (6X16)	2	
8	29103-93J00	BOLT, TRIM SENDER CLAMP	1	
9	09125-06063	SCREW (6X10)	1	
10	09403-19409	CLAMP	1	
11	29404-93J10	CLAMP, TRIM SENDER	1	
12	09407-14407	CLAMP (L:145)	2	
13	09403-07340	CLAMP	1	



FIG.155

FIG.155 (2-H-3) SENSOR (DF250Z E1)

REF NO.	PART NO.	DESCRIPTION	Q'TY	REMARKS
1	13650-52G00	SENSOR, INLET AIR TEMP	1	
2	13655-87J00	GROMMET, AIR TEMP SENSOR	1	
3	34801-93J03	SENDER ASSY, TRIM	1	
4	34830-87J20	SENSOR ASSY, EXHAUST TEMP	2	
5	34830-87J20	SENSOR ASSY, CYLINDER TEMP	1	
6	37820-99E01	SWITCH ASSY, OIL PRESSURE	1	
7	09100-06113	BOLT (6X16)	2	
8	29103-93J00	BOLT, TRIM SENDER CLAMP	1	
9	09125-06063	SCREW (6X10)	1	
10	09403-19409	CLAMP	1	
11	29404-93J10	CLAMP, TRIM SENDER	1	
12	09407-14407	CLAMP (L:145)	2	
13	09403-07340	CLAMP	1	

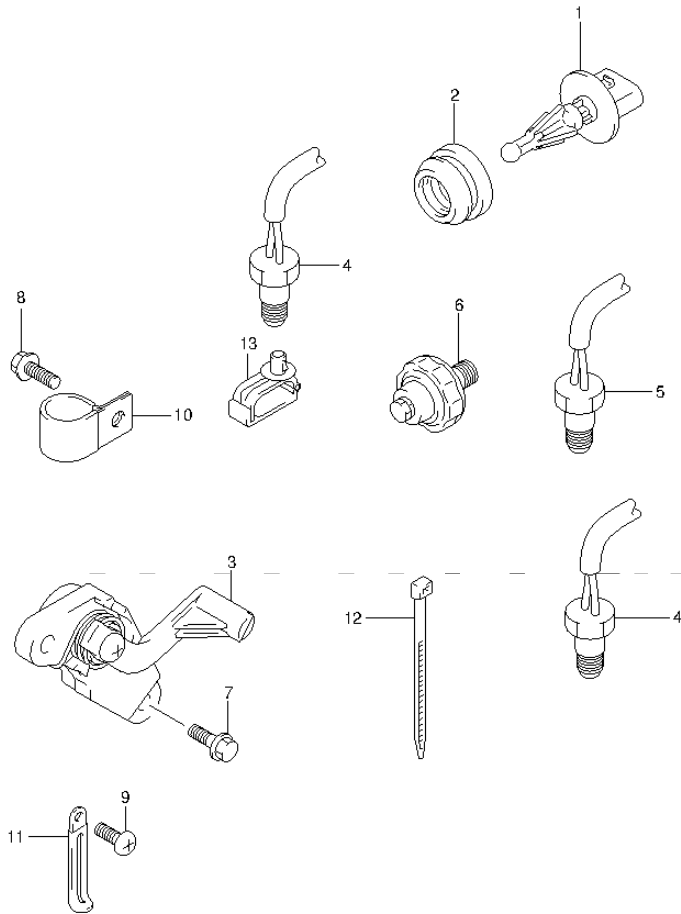
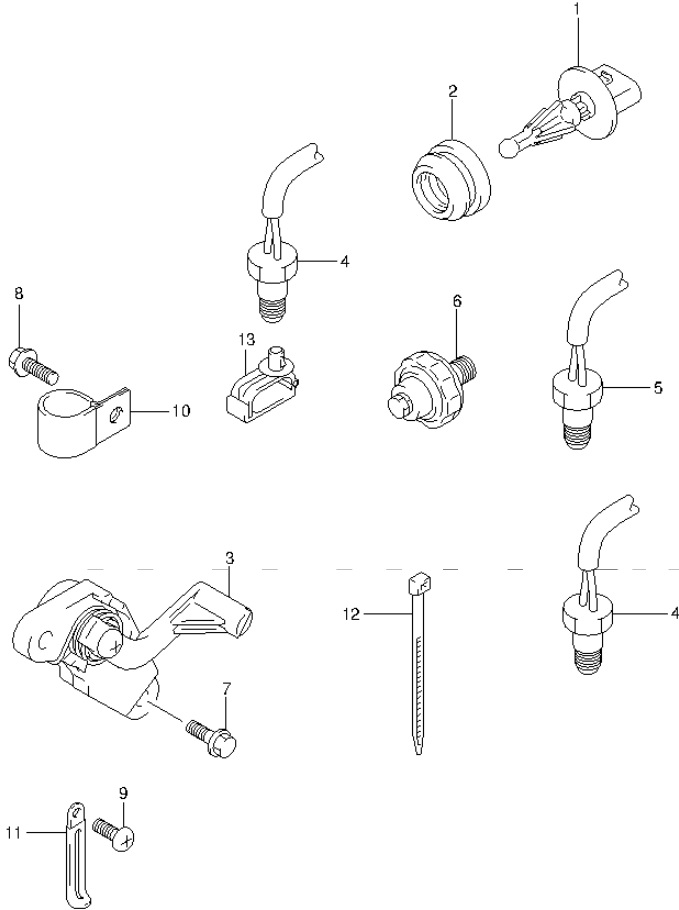


FIG.156

FIG.156 (2-H-4) SENSOR (DF250Z E40)



REF NO.	PART NO.	DESCRIPTION	Q'TY	REMARKS
1	13650-52G00	SENSOR, INLET AIR TEMP	1	
2	13655-87J00	GROMMET, AIR TEMP SENSOR	1	
3	34801-93J03	SENDER ASSY, TRIM	1	
4	34830-87J20	SENSOR ASSY, EXHAUST TEMP	2	
5	34830-87J20	SENSOR ASSY, CYLINDER TEMP	1	
6	37820-99E01	SWITCH ASSY, OIL PRESSURE	1	
7	09100-06113	BOLT (6X16)	2	
8	29103-93J00	BOLT, TRIM SENDER CLAMP	1	
9	09125-06063	SCREW (6X10)	1	
10	09403-19409	CLAMP	1	
11	29404-93J10	CLAMP, TRIM SENDER	1	
12	09407-14407	CLAMP (L:145)	2	
13	09403-07340	CLAMP	1	



FIG.157

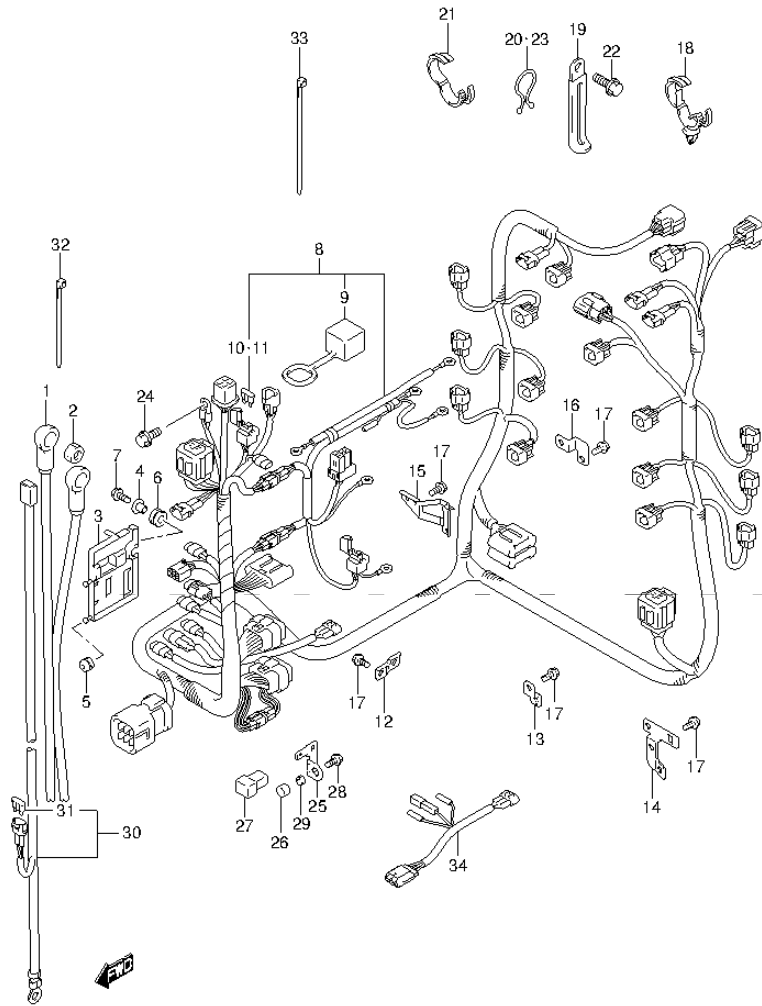


FIG.157 (2-H-5) HARNESS (DF200T E1)

REF NO.	PART NO.	DESCRIPTION	Q'TY	REMARKS
1	33810-93J01	CABLE, STARTER MOTOR	1	L:4000
2	08316-10087	NUT	1	
3	36616-93J01	HOLDER, CONNECTOR	1	
4	09169-06062	WASHER	1	
5	09320-04009	BUSH	2	
6	09320-09016	CUSHION	1	
7	01550-06257	BOLT	1	
8	36610-93JN1	HARNESS ASSY, WIRING	1	
9	33634-96J00	CAP, SERVICE CONNECTOR	1	
10	09481-15501	FUSE (15A)	1	
11	09481-30501	FUSE (30A)	1	
12	36617-93J00	BRACKET, HARNESS	3	
13	36617-93J10	BRACKET, HARNESS	4	
14	36617-93J20	BRACKET, HARNESS	1	
15	36617-93J30	BRACKET, HARNESS	1	
16	36617-93J40	BRACKET, HARNESS	1	
17	01550-06127	BOLT	11	
18	09403-20308	CLAMP	1	
19	29404-93J10	CLAMP, HARNESS	1	
20	09408-00008	CLIP (ID:20)	1	
21	09408-00184	CLAMP	3	
22	01550-06127	BOLT	1	
23	09408-00008	CLIP (ID:20)	1	
24	01550-06127	BOLT	1	
25	36865-90J00	TERMINAL, MAIN FUSE	2	
26	09251-09002	CAP	2	
27	09481-60401	FUSE (60A)	2	
28	01570-06127	BOLT	2	
29	08310-00067	NUT	2	
30-1	36625-93J10	LEAD, BATTERY	1	OPT L:6700
30-2	36625-93J00	LEAD, BATTERY	1	
31	09481-15501	FUSE (15A)	1	
32	09407-10404	CLAMP (L:100)	2	

FIG.157

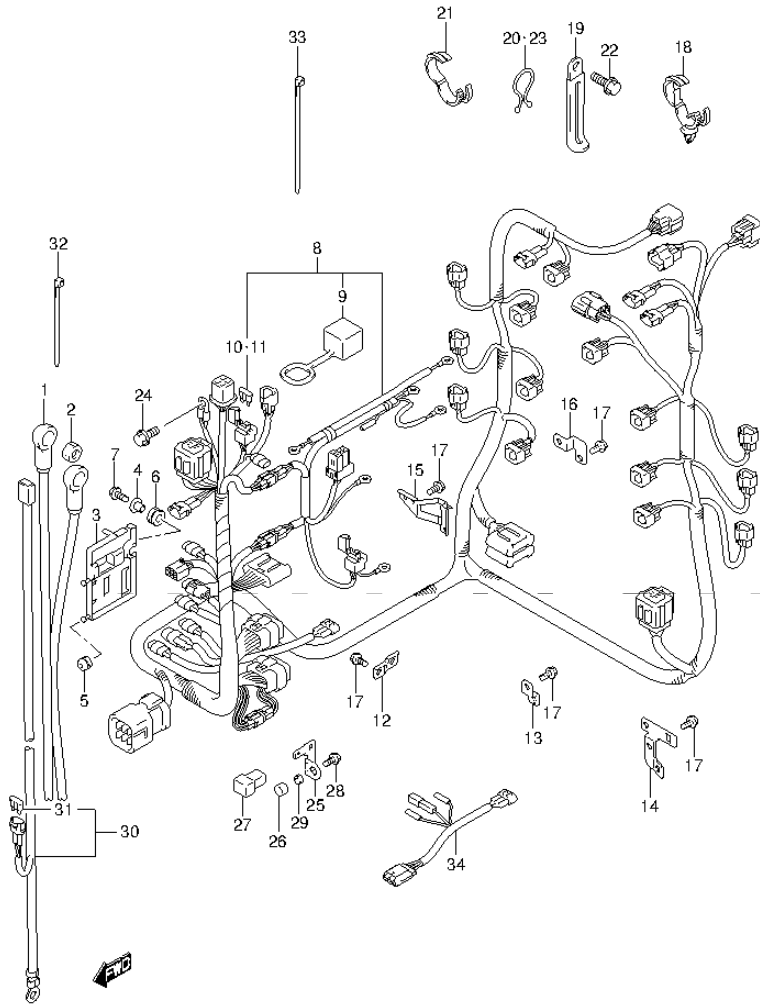


FIG.157 (2-H-6) HARNESS (DF200T E1)

REF NO.	PART NO.	DESCRIPTION	Q'TY	REMARKS
33	09407-14407	CLAMP (L:145)	1	
34	36647-93J00	LEAD, AUX PTT SWITCH	1	OPT

FIG.158

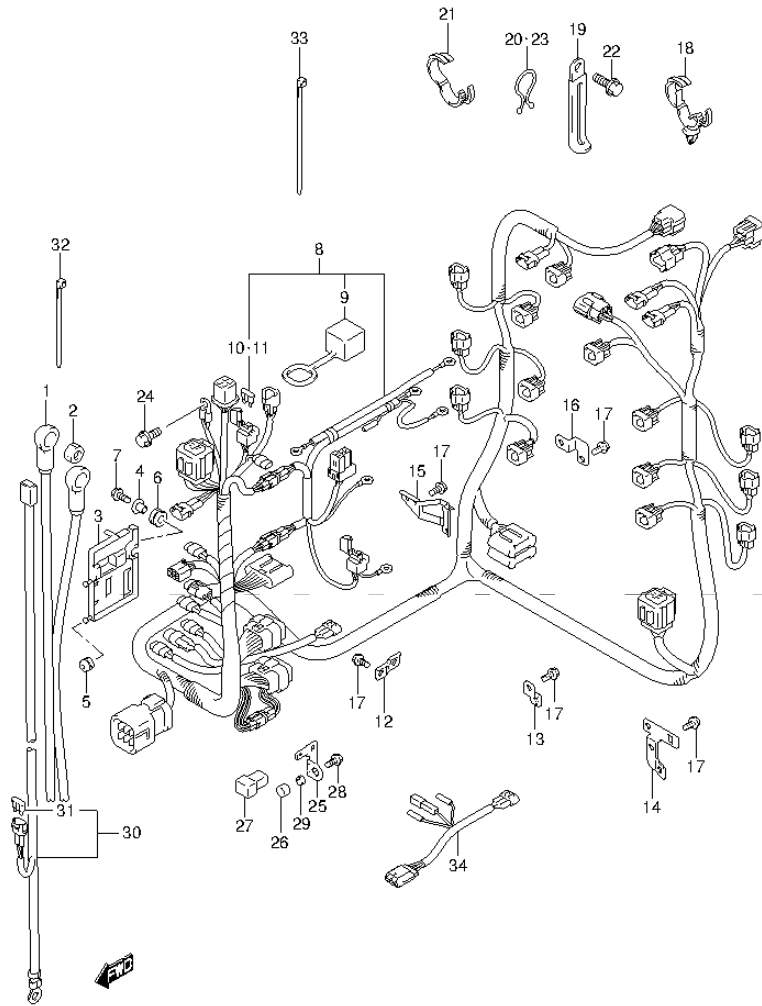


FIG.158 (2-H-7) HARNESS (DF200T E40)

REF NO.	PART NO.	DESCRIPTION	Q'TY	REMARKS
1	33810-93J01	CABLE, STARTER MOTOR	1	L:4000
2	08316-10087	NUT	1	
3	36616-93J01	HOLDER, CONNECTOR	1	
4	09169-06062	WASHER	1	
5	09320-04009	BUSH	2	
6	09320-09016	CUSHION	1	
7	01550-06257	BOLT	1	
8	36610-93JN1	HARNESS ASSY, WIRING	1	
9	33634-96J00	CAP, SERVICE CONNECTOR	1	
10	09481-15501	FUSE (15A)	1	
11	09481-30501	FUSE (30A)	1	
12	36617-93J00	BRACKET, HARNESS	3	
13	36617-93J10	BRACKET, HARNESS	4	
14	36617-93J20	BRACKET, HARNESS	1	
15	36617-93J30	BRACKET, HARNESS	1	
16	36617-93J40	BRACKET, HARNESS	1	
17	01550-06127	BOLT	11	
18	09403-20308	CLAMP	1	
19	29404-93J10	CLAMP, HARNESS	1	
20	09408-00008	CLIP (ID:20)	1	
21	09408-00184	CLAMP	3	
22	01550-06127	BOLT	1	
23	09408-00008	CLIP (ID:20)	1	
24	01550-06127	BOLT	1	
25	36865-90J00	TERMINAL, MAIN FUSE	2	
26	09251-09002	CAP	2	
27	09481-60401	FUSE (60A)	2	
28	01570-06127	BOLT	2	
29	08310-00067	NUT	2	
30-1	36625-93J10	LEAD, BATTERY	1	OPT L:6700
30-2	36625-93J00	LEAD, BATTERY	1	
31	09481-15501	FUSE (15A)	1	
32	09407-10404	CLAMP (L:100)	2	

FIG.158

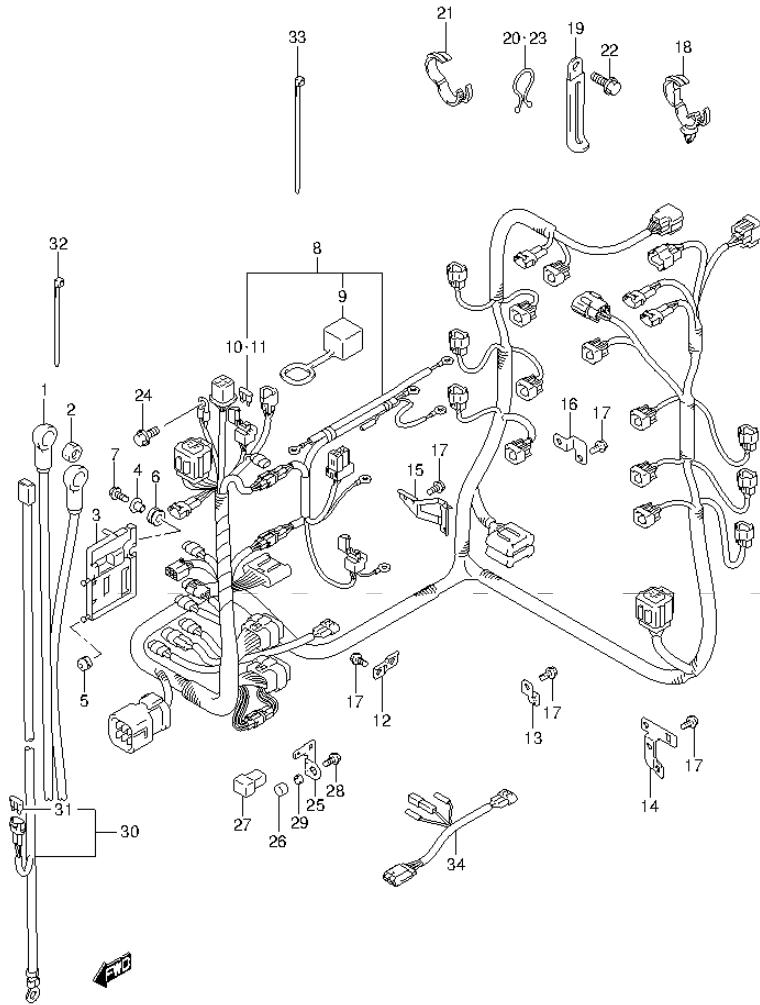


FIG.158 (2-H-8) HARNESS (DF200T E40)

REF NO.	PART NO.	DESCRIPTION	Q'TY	REMARKS
33	09407-14407	CLAMP (L:145)	1	
34	36647-93J00	LEAD, AUX PTT SWITCH	1	OPT

FIG.159

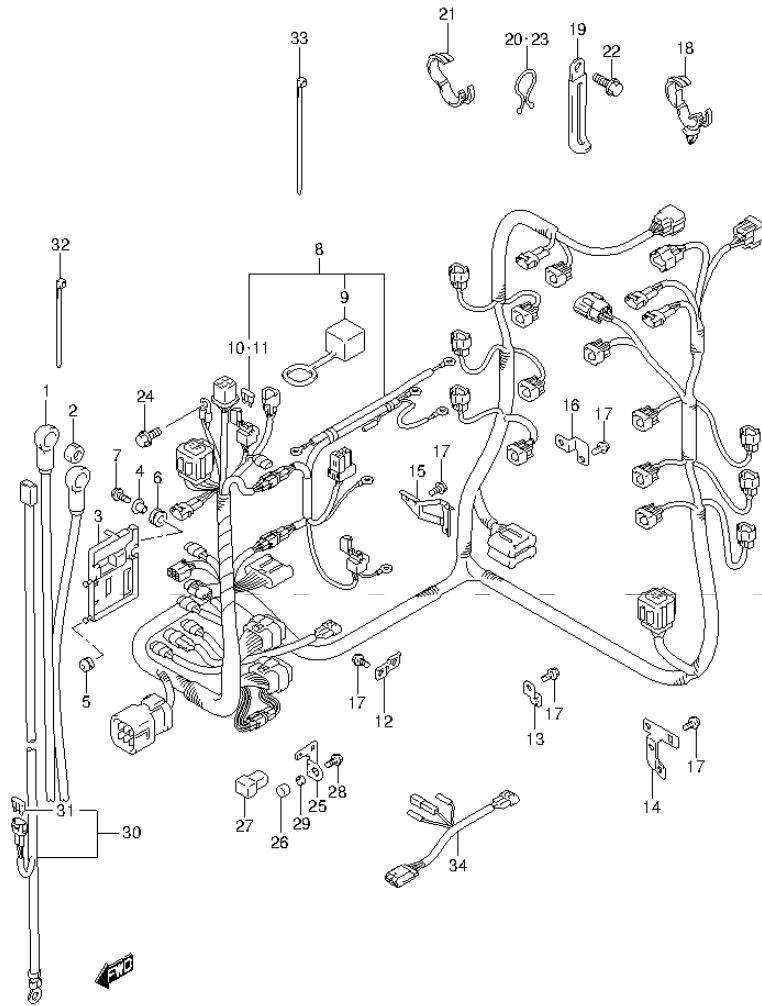


FIG.159 (2-H-9) HARNESS (DF200Z E1)

REF NO.	PART NO.	DESCRIPTION	Q'TY	REMARKS
1	33810-93J01	CABLE, STARTER MOTOR	1	L:4000
2	08316-10087	NUT	1	
3	36616-93J01	HOLDER, CONNECTOR	1	
4	09169-06062	WASHER	1	
5	09320-04009	BUSH	2	
6	09320-09016	CUSHION	1	
7	01550-06257	BOLT	1	
8	36610-93JN1	HARNESS ASSY, WIRING	1	
9	33634-96J00	CAP, SERVICE CONNECTOR	1	
10	09481-15501	FUSE (15A)	1	
11	09481-30501	FUSE (30A)	1	
12	36617-93J00	BRACKET, HARNESS	3	
13	36617-93J10	BRACKET, HARNESS	4	
14	36617-93J20	BRACKET, HARNESS	1	
15	36617-93J30	BRACKET, HARNESS	1	
16	36617-93J40	BRACKET, HARNESS	1	
17	01550-06127	BOLT	11	
18	09403-20308	CLAMP	1	
19	29404-93J10	CLAMP, HARNESS	1	
20	09408-00008	CLIP (ID:20)	1	
21	09408-00184	CLAMP	3	
22	01550-06127	BOLT	1	
23	09408-00008	CLIP (ID:20)	1	
24	01550-06127	BOLT	1	
25	36865-90J00	TERMINAL, MAIN FUSE	2	
26	09251-09002	CAP	2	
27	09481-60401	FUSE (60A)	2	
28	01570-06127	BOLT	2	
29	08310-00067	NUT	2	
30-1	36625-93J10	LEAD, BATTERY	1	OPT L:6700
30-2	36625-93J00	LEAD, BATTERY	1	
31	09481-15501	FUSE (15A)	1	
32	09407-10404	CLAMP (L:100)	2	

FIG.159

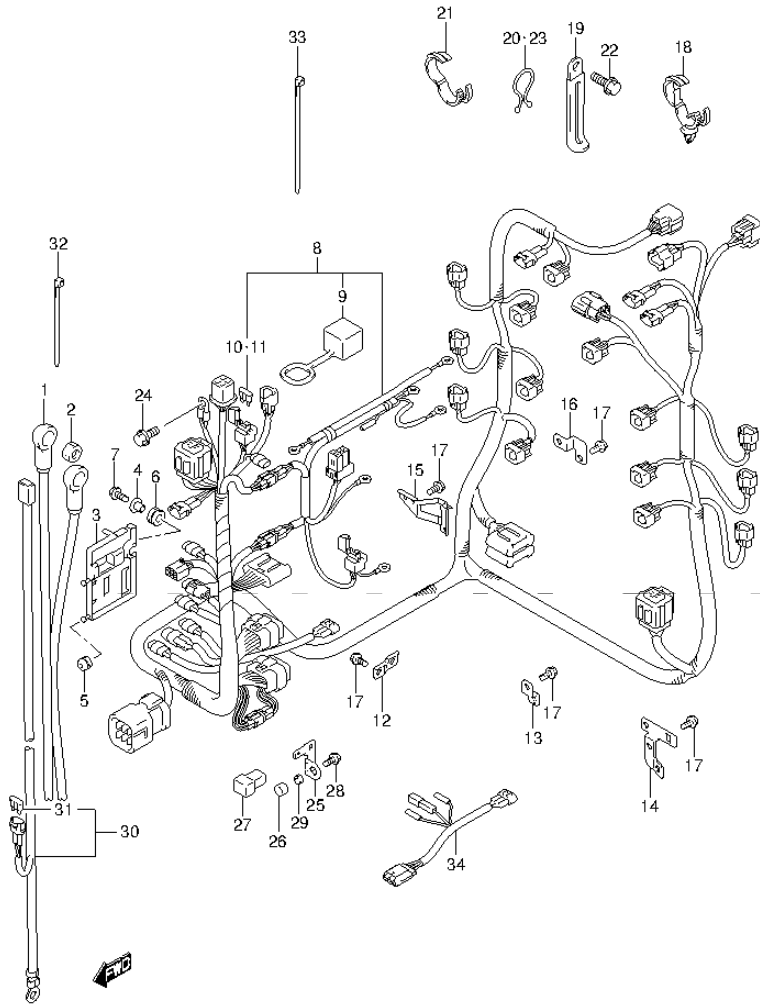


FIG.159 (2-H-10) HARNESS (DF200Z E1)

REF NO.	PART NO.	DESCRIPTION	Q'TY	REMARKS
33	09407-14407	CLAMP (L:145)	1	
34	36647-93J00	LEAD, AUX PTT SWITCH	1	OPT

FIG.160

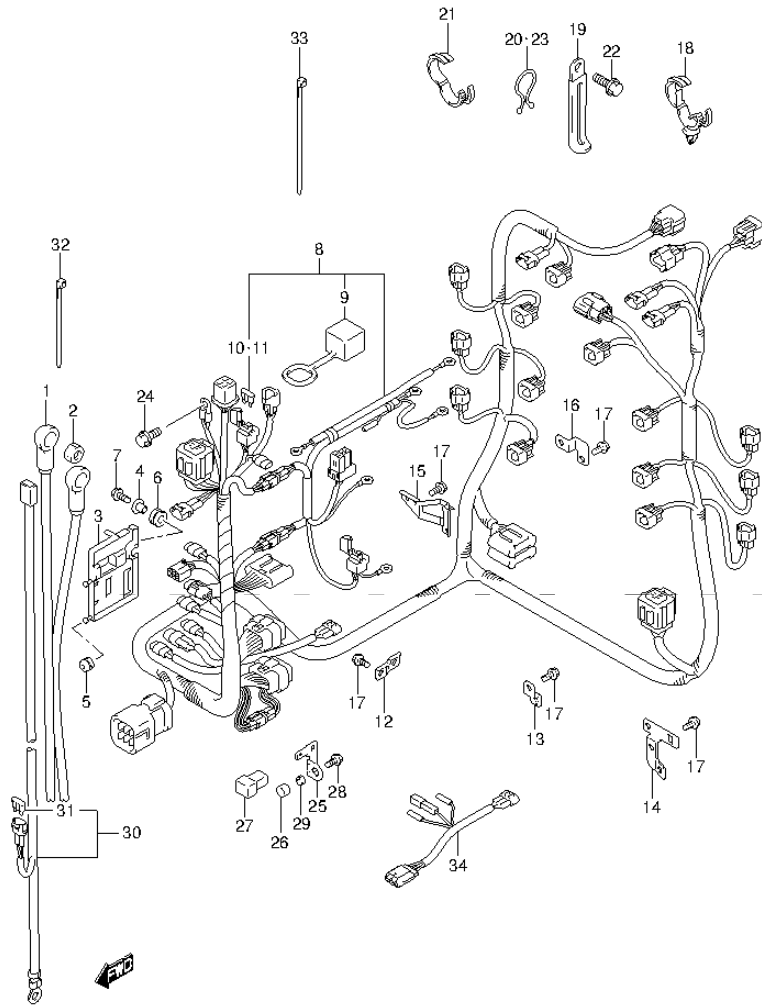


FIG.160 (2-H-11) HARNESS (DF200Z E40)

REF NO.	PART NO.	DESCRIPTION	Q'TY	REMARKS
1	33810-93J01	CABLE, STARTER MOTOR	1	L:4000
2	08316-10087	NUT	1	
3	36616-93J01	HOLDER, CONNECTOR	1	
4	09169-06062	WASHER	1	
5	09320-04009	BUSH	2	
6	09320-09016	CUSHION	1	
7	01550-06257	BOLT	1	
8	36610-93JN1	HARNESS ASSY, WIRING	1	
9	33634-96J00	CAP, SERVICE CONNECTOR	1	
10	09481-15501	FUSE (15A)	1	
11	09481-30501	FUSE (30A)	1	
12	36617-93J00	BRACKET, HARNESS	3	
13	36617-93J10	BRACKET, HARNESS	4	
14	36617-93J20	BRACKET, HARNESS	1	
15	36617-93J30	BRACKET, HARNESS	1	
16	36617-93J40	BRACKET, HARNESS	1	
17	01550-06127	BOLT	11	
18	09403-20308	CLAMP	1	
19	29404-93J10	CLAMP, HARNESS	1	
20	09408-00008	CLIP (ID:20)	1	
21	09408-00184	CLAMP	3	
22	01550-06127	BOLT	1	
23	09408-00008	CLIP (ID:20)	1	
24	01550-06127	BOLT	1	
25	36865-90J00	TERMINAL, MAIN FUSE	2	
26	09251-09002	CAP	2	
27	09481-60401	FUSE (60A)	2	
28	01570-06127	BOLT	2	
29	08310-00067	NUT	2	
30-1	36625-93J10	LEAD, BATTERY	1	OPT L:6700
30-2	36625-93J00	LEAD, BATTERY	1	
31	09481-15501	FUSE (15A)	1	
32	09407-10404	CLAMP (L:100)	2	

FIG.160

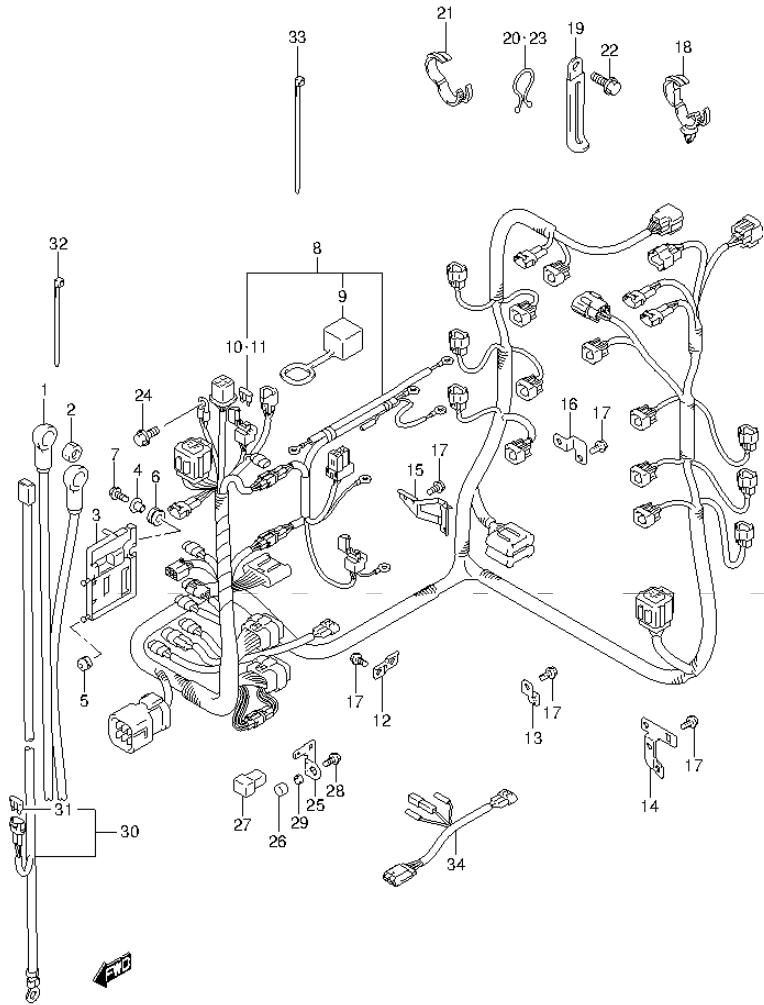


FIG.160 (2-H-12) HARNESS (DF200Z E40)

REF NO.	PART NO.	DESCRIPTION	Q'TY	REMARKS
33	09407-14407	CLAMP (L:145)	1	
34	36647-93J00	LEAD, AUX PTT SWITCH	1	OPT

FIG.161

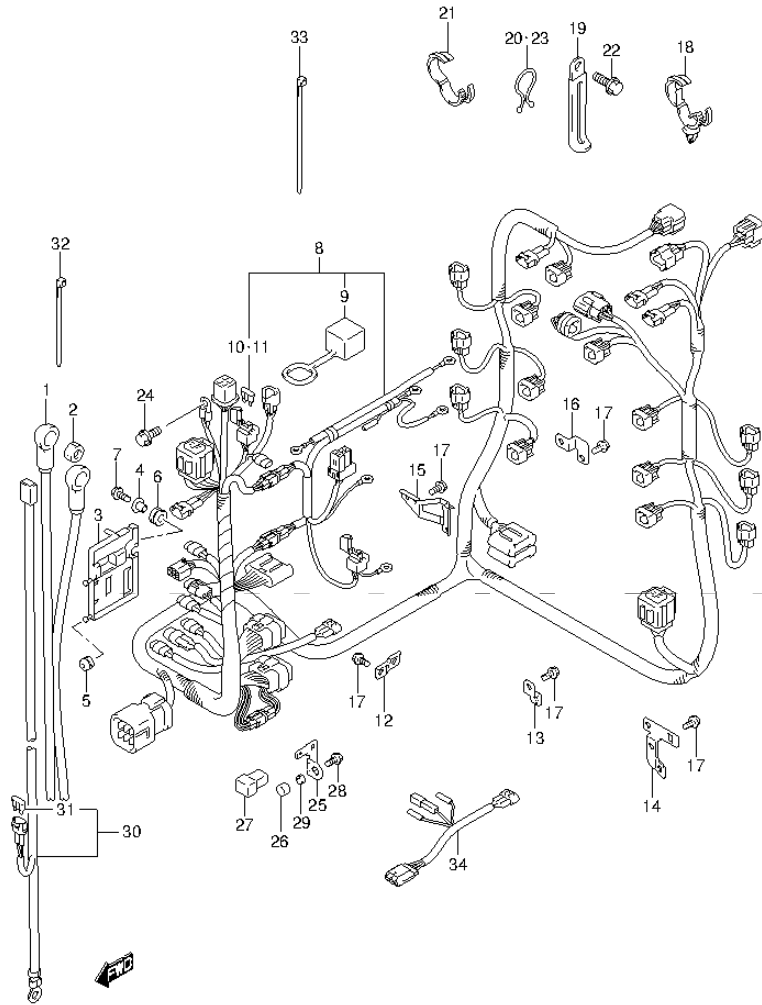


FIG.161 (2-H-13) HARNESS (DF225T E1)

REF NO.	PART NO.	DESCRIPTION	Q'TY	REMARKS
1	33810-93J01	CABLE, STARTER MOTOR	1	L:4000
2	08316-10087	NUT	1	
3	36616-93J01	HOLDER, CONNECTOR	1	
4	09169-06062	WASHER	1	
5	09320-04009	BUSH	2	
6	09320-09016	CUSHION	1	
7	01550-06257	BOLT	1	
8	36610-93JP1	HARNESS ASSY, WIRING	1	
9	33634-96J00	CAP, SERVICE CONNECTOR	1	
10	09481-15501	FUSE (15A)	1	
11	09481-30501	FUSE (30A)	1	
12	36617-93J00	BRACKET, HARNESS	3	
13	36617-93J10	BRACKET, HARNESS	4	
14	36617-93J20	BRACKET, HARNESS	1	
15	36617-93J30	BRACKET, HARNESS	1	
16	36617-93J40	BRACKET, HARNESS	1	
17	01550-06127	BOLT	11	
18	09403-20308	CLAMP	1	
19	29404-93J10	CLAMP, HARNESS	1	
20	09408-00008	CLIP (ID:20)	1	
21	09408-00184	CLAMP	3	
22	01550-06127	BOLT	1	
23	09408-00008	CLIP (ID:20)	1	
24	01550-06127	BOLT	1	
25	36865-90J00	TERMINAL, MAIN FUSE	2	
26	09251-09002	CAP	2	
27	09481-60401	FUSE (60A)	2	
28	01570-06127	BOLT	2	
29	08310-00067	NUT	2	
30-1	36625-93J10	LEAD, BATTERY	1	OPT L:6700
30-2	36625-93J00	LEAD, BATTERY	1	
31	09481-15501	FUSE (15A)	1	
32	09407-10404	CLAMP (L:100)	2	

FIG.161

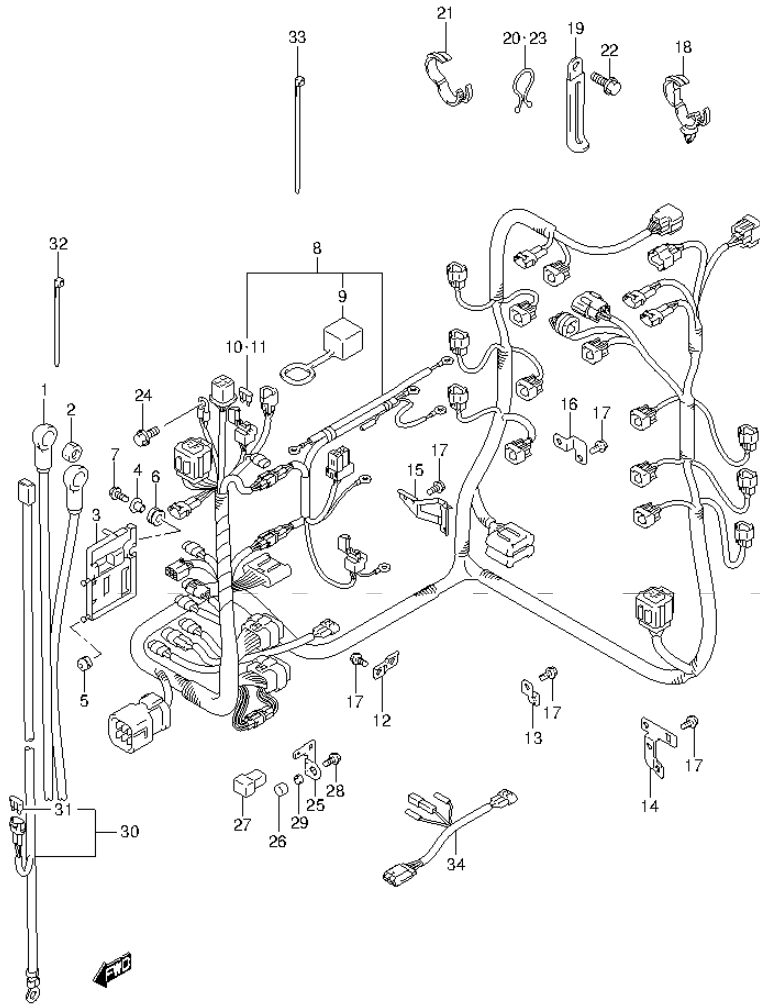


FIG.161 (2-H-14) HARNESS (DF225T E1)

REF NO.	PART NO.	DESCRIPTION	Q'TY	REMARKS
33	09407-14407	CLAMP (L:145)	1	
34	36647-93J00	LEAD, AUX PTT SWITCH	1	OPT

FIG.162

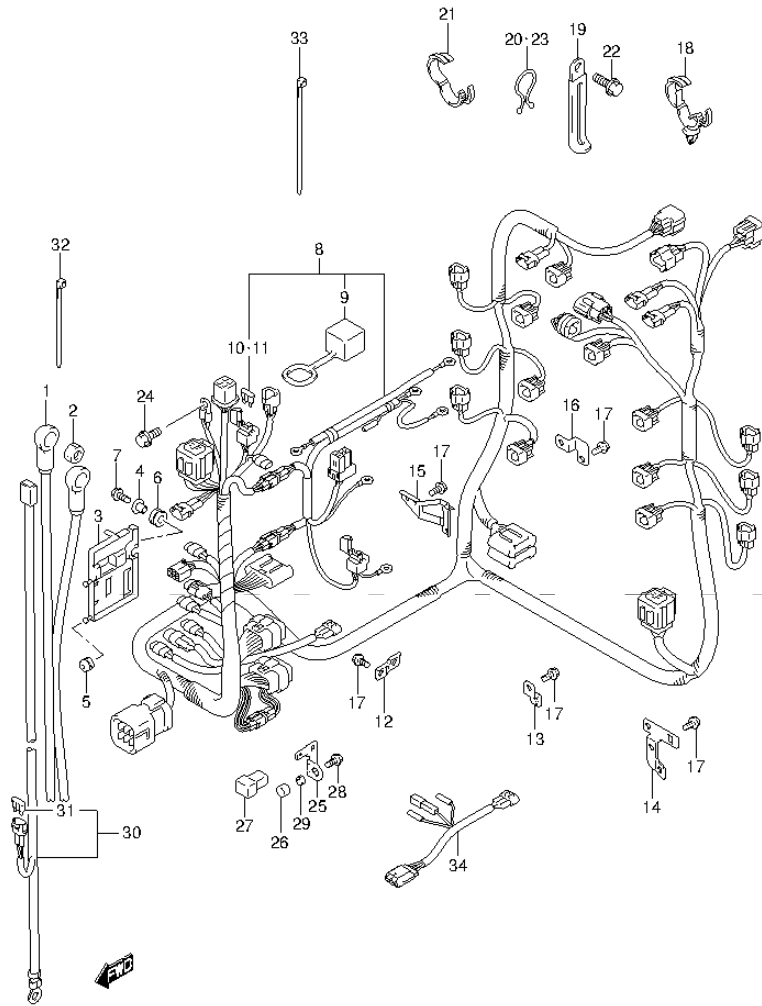


FIG.162 (2-H-15) HARNESS (DF225T E40)

REF NO.	PART NO.	DESCRIPTION	Q'TY	REMARKS
1	33810-93J01	CABLE, STARTER MOTOR	1	L:4000
2	08316-10087	NUT	1	
3	36616-93J01	HOLDER, CONNECTOR	1	
4	09169-06062	WASHER	1	
5	09320-04009	BUSH	2	
6	09320-09016	CUSHION	1	
7	01550-06257	BOLT	1	
8	36610-93JP1	HARNESS ASSY, WIRING	1	
9	33634-96J00	CAP, SERVICE CONNECTOR	1	
10	09481-15501	FUSE (15A)	1	
11	09481-30501	FUSE (30A)	1	
12	36617-93J00	BRACKET, HARNESS	3	
13	36617-93J10	BRACKET, HARNESS	4	
14	36617-93J20	BRACKET, HARNESS	1	
15	36617-93J30	BRACKET, HARNESS	1	
16	36617-93J40	BRACKET, HARNESS	1	
17	01550-06127	BOLT	11	
18	09403-20308	CLAMP	1	
19	29404-93J10	CLAMP, HARNESS	1	
20	09408-00008	CLIP (ID:20)	1	
21	09408-00184	CLAMP	3	
22	01550-06127	BOLT	1	
23	09408-00008	CLIP (ID:20)	1	
24	01550-06127	BOLT	1	
25	36865-90J00	TERMINAL, MAIN FUSE	2	
26	09251-09002	CAP	2	
27	09481-60401	FUSE (60A)	2	
28	01570-06127	BOLT	2	
29	08310-00067	NUT	2	
30-1	36625-93J10	LEAD, BATTERY	1	OPT L:6700
30-2	36625-93J00	LEAD, BATTERY	1	
31	09481-15501	FUSE (15A)	1	
32	09407-10404	CLAMP (L:100)	2	

FIG.162

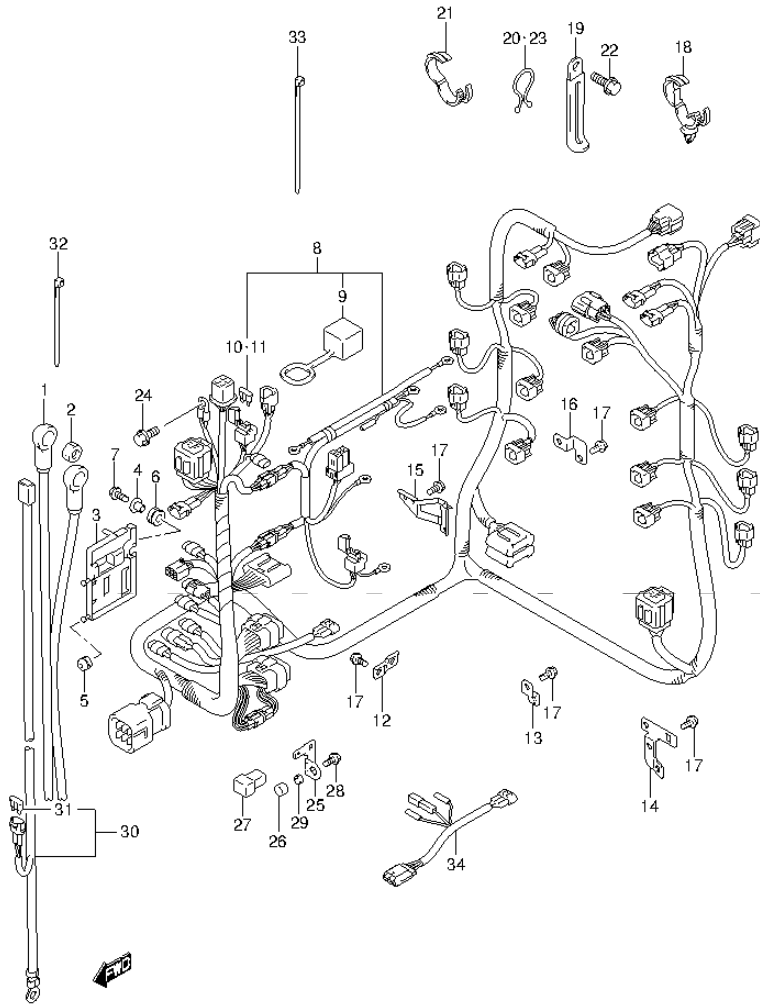


FIG.162 (2-I-2) HARNESS (DF225T E40)

REF NO.	PART NO.	DESCRIPTION	Q'TY	REMARKS
33	09407-14407	CLAMP (L:145)	1	
34	36647-93J00	LEAD, AUX PTT SWITCH	1	OPT

FIG.163

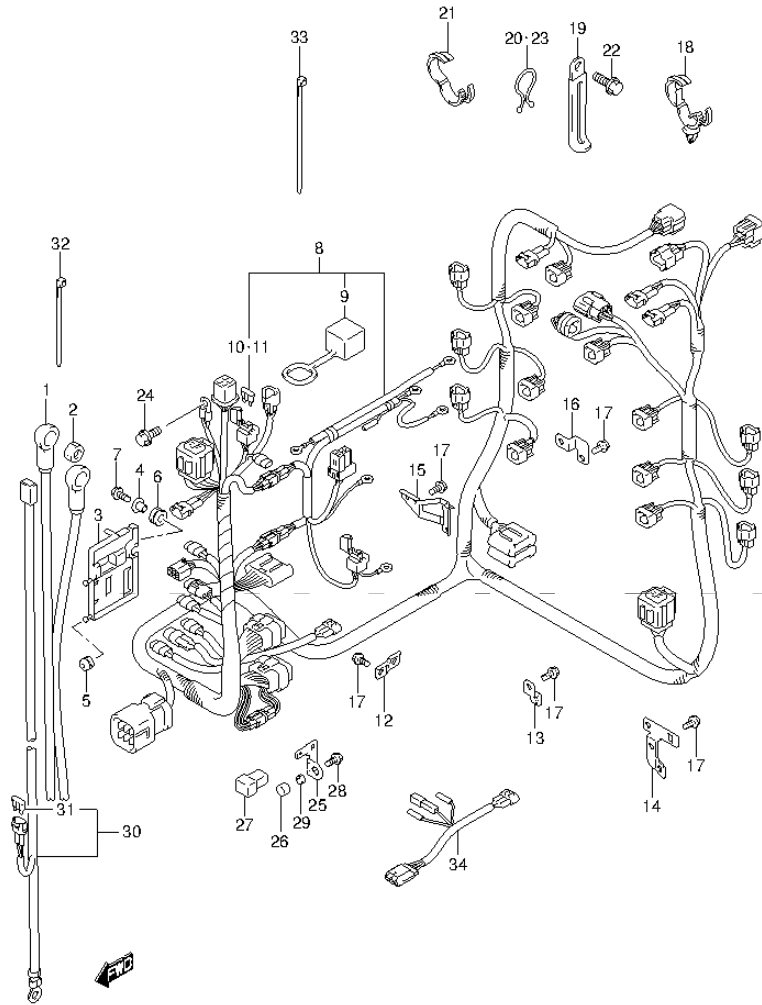


FIG.163 (2-I-3) HARNESS (DF225Z E1)

REF NO.	PART NO.	DESCRIPTION	Q'TY	REMARKS
1	33810-93J01	CABLE, STARTER MOTOR	1	L:4000
2	08316-10087	NUT	1	
3	36616-93J01	HOLDER, CONNECTOR	1	
4	09169-06062	WASHER	1	
5	09320-04009	BUSH	2	
6	09320-09016	CUSHION	1	
7	01550-06257	BOLT	1	
8	36610-93JP1	HARNESS ASSY, WIRING	1	
9	33634-96J00	CAP, SERVICE CONNECTOR	1	
10	09481-15501	FUSE (15A)	1	
11	09481-30501	FUSE (30A)	1	
12	36617-93J00	BRACKET, HARNESS	3	
13	36617-93J10	BRACKET, HARNESS	4	
14	36617-93J20	BRACKET, HARNESS	1	
15	36617-93J30	BRACKET, HARNESS	1	
16	36617-93J40	BRACKET, HARNESS	1	
17	01550-06127	BOLT	11	
18	09403-20308	CLAMP	1	
19	29404-93J10	CLAMP, HARNESS	1	
20	09408-00008	CLIP (ID:20)	1	
21	09408-00184	CLAMP	3	
22	01550-06127	BOLT	1	
23	09408-00008	CLIP (ID:20)	1	
24	01550-06127	BOLT	1	
25	36865-90J00	TERMINAL, MAIN FUSE	2	
26	09251-09002	CAP	2	
27	09481-60401	FUSE (60A)	2	
28	01570-06127	BOLT	2	
29	08310-00067	NUT	2	
30-1	36625-93J10	LEAD, BATTERY	1	OPT L:6700
30-2	36625-93J00	LEAD, BATTERY	1	
31	09481-15501	FUSE (15A)	1	
32	09407-10404	CLAMP (L:100)	2	

FIG.163

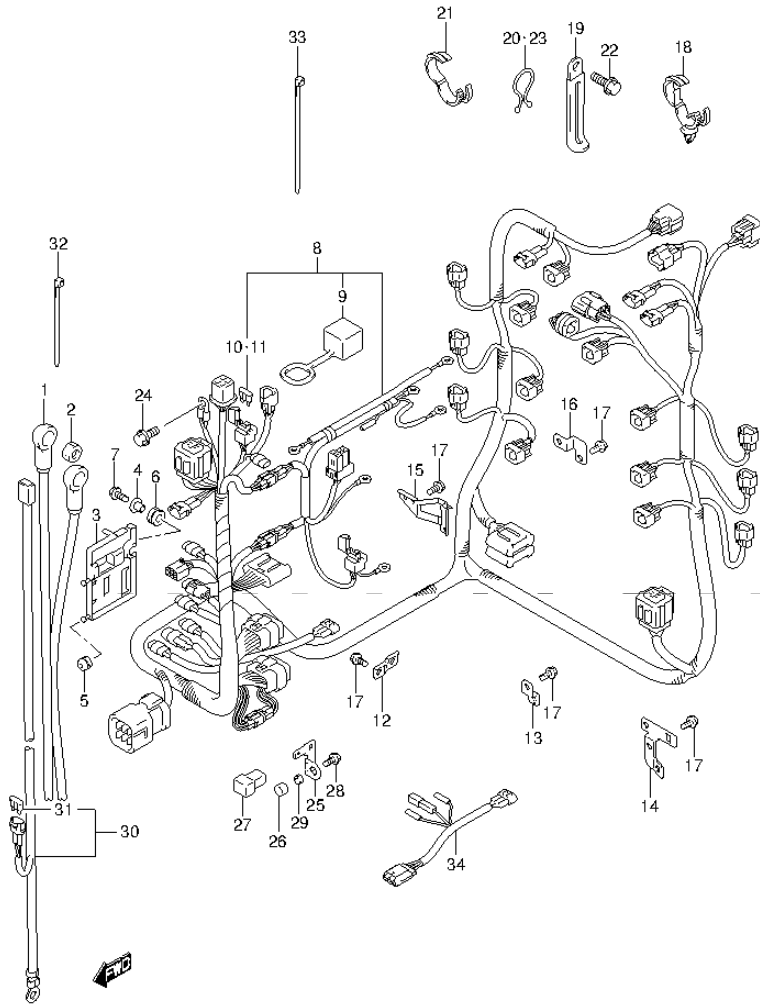


FIG.163 (2-I-4) HARNESS (DF225Z E1)

REF NO.	PART NO.	DESCRIPTION	Q'TY	REMARKS
33	09407-14407	CLAMP (L:145)	1	
34	36647-93J00	LEAD, AUX PTT SWITCH	1	OPT

FIG.164

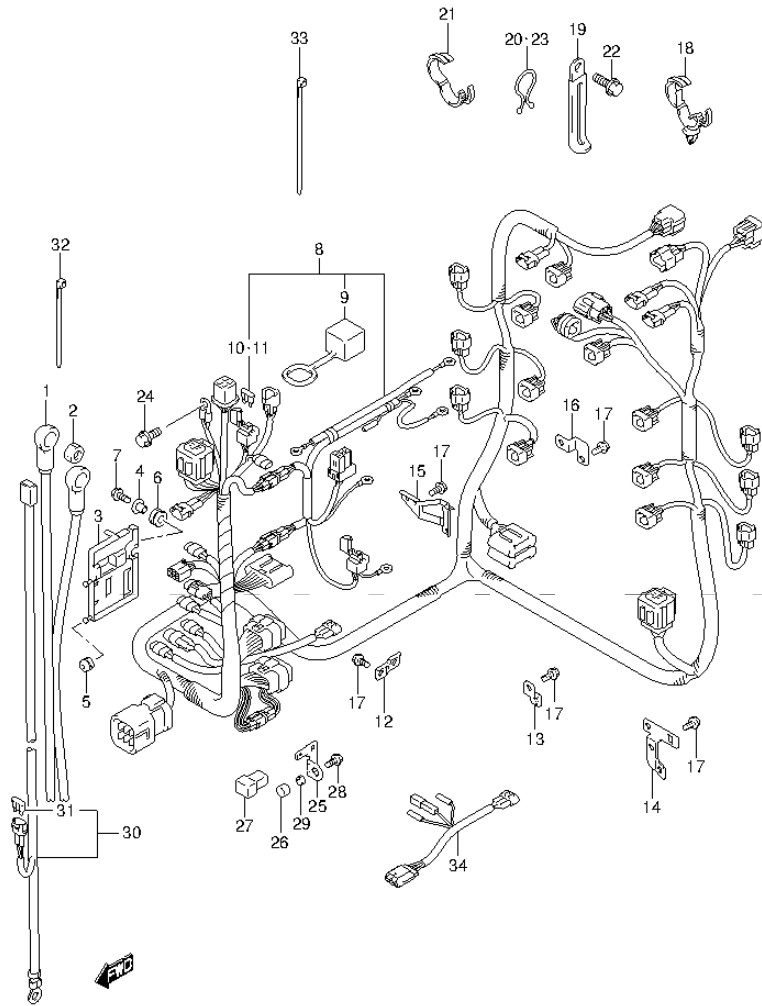


FIG.164 (2-I-5) HARNESS (DF225Z E40)

REF NO.	PART NO.	DESCRIPTION	Q'TY	REMARKS
1	33810-93J01	CABLE, STARTER MOTOR	1	L:4000
2	08316-10087	NUT	1	
3	36616-93J01	HOLDER, CONNECTOR	1	
4	09169-06062	WASHER	1	
5	09320-04009	BUSH	2	
6	09320-09016	CUSHION	1	
7	01550-06257	BOLT	1	
8	36610-93JP1	HARNESS ASSY, WIRING	1	
9	33634-96J00	CAP, SERVICE CONNECTOR	1	
10	09481-15501	FUSE (15A)	1	
11	09481-30501	FUSE (30A)	1	
12	36617-93J00	BRACKET, HARNESS	3	
13	36617-93J10	BRACKET, HARNESS	4	
14	36617-93J20	BRACKET, HARNESS	1	
15	36617-93J30	BRACKET, HARNESS	1	
16	36617-93J40	BRACKET, HARNESS	1	
17	01550-06127	BOLT	11	
18	09403-20308	CLAMP	1	
19	29404-93J10	CLAMP, HARNESS	1	
20	09408-00008	CLIP (ID:20)	1	
21	09408-00184	CLAMP	3	
22	01550-06127	BOLT	1	
23	09408-00008	CLIP (ID:20)	1	
24	01550-06127	BOLT	1	
25	36865-90J00	TERMINAL, MAIN FUSE	2	
26	09251-09002	CAP	2	
27	09481-60401	FUSE (60A)	2	
28	01570-06127	BOLT	2	
29	08310-00067	NUT	2	
30-1	36625-93J10	LEAD, BATTERY	1	OPT L:6700
30-2	36625-93J00	LEAD, BATTERY	1	
31	09481-15501	FUSE (15A)	1	
32	09407-10404	CLAMP (L:100)	2	

FIG.164

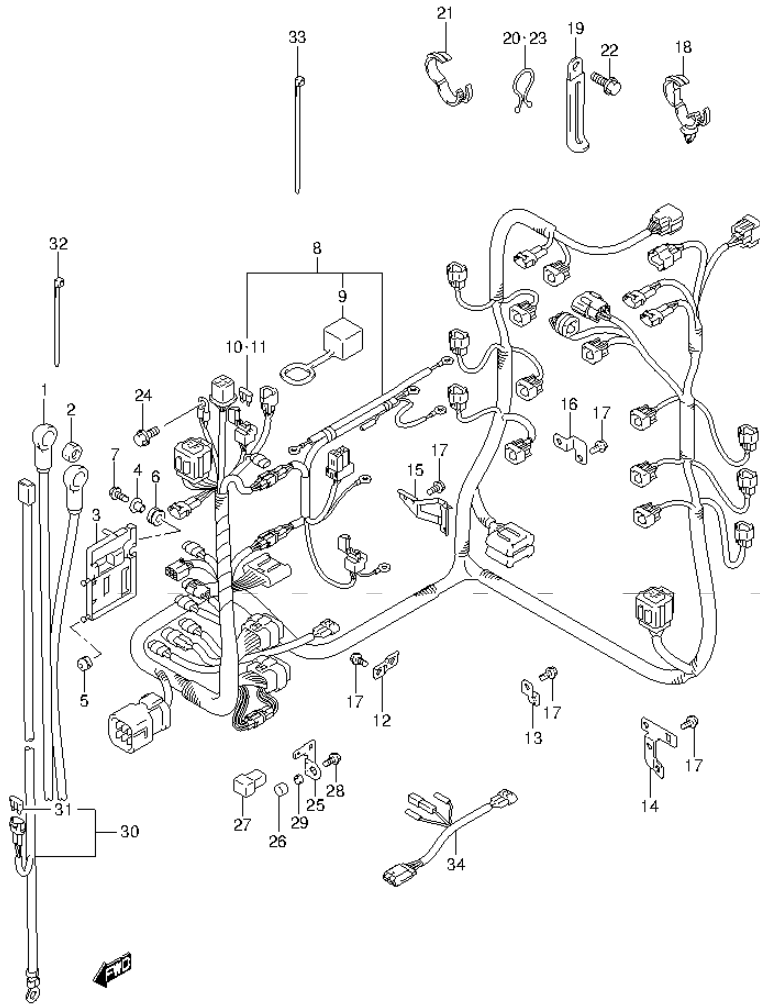


FIG.164 (2-I-6) HARNESS (DF225Z E40)

REF NO.	PART NO.	DESCRIPTION	Q'TY	REMARKS
33	09407-14407	CLAMP (L:145)	1	
34	36647-93J00	LEAD, AUX PTT SWITCH	1	OPT

FIG.165

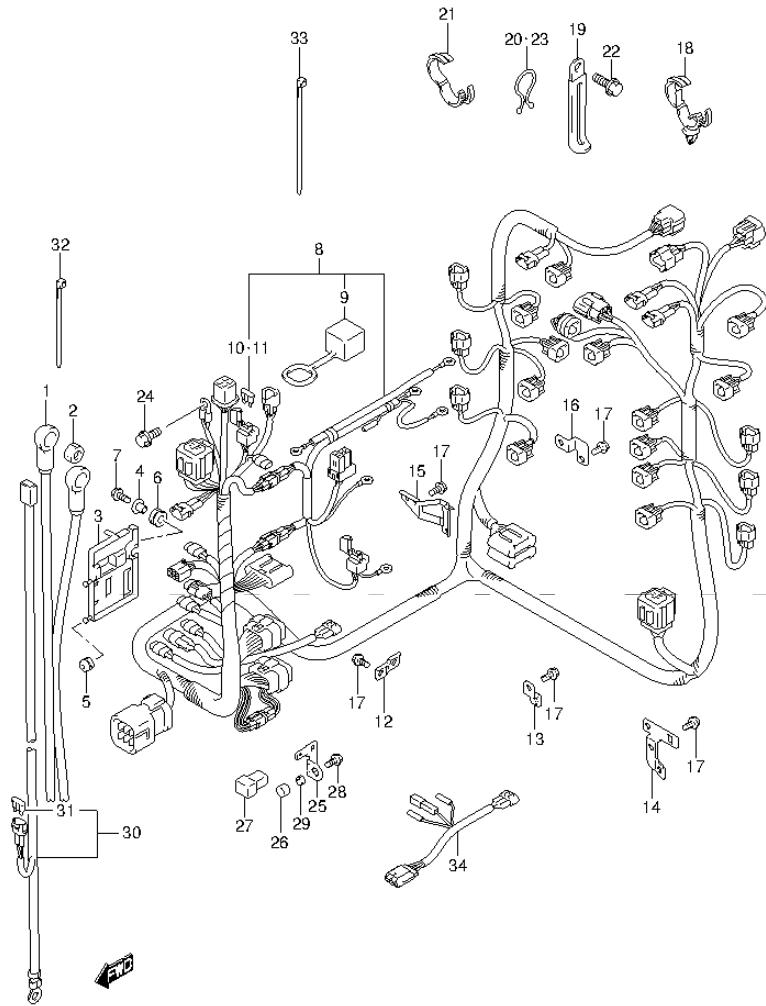


FIG.165 (2-I-7) HARNESS (DF250T E1)

REF NO.	PART NO.	DESCRIPTION	Q'TY	REMARKS
1	33810-93J01	CABLE, STARTER MOTOR	1	L:4000
2	08316-10087	NUT	1	
3	36616-93J01	HOLDER, CONNECTOR	1	
4	09169-06062	WASHER	1	
5	09320-04009	BUSH	2	
6	09320-09016	CUSHION	1	
7	01550-06257	BOLT	1	
8	36610-93JR1	HARNESS ASSY, WIRING	1	
9	33634-96J00	CAP, SERVICE CONNECTOR	1	
10	09481-15501	FUSE (15A)	1	
11	09481-30501	FUSE (30A)	1	
12	36617-93J00	BRACKET, HARNESS	3	
13	36617-93J10	BRACKET, HARNESS	4	
14	36617-93J20	BRACKET, HARNESS	1	
15	36617-93J30	BRACKET, HARNESS	1	
16	36617-93J40	BRACKET, HARNESS	1	
17	01550-06127	BOLT	11	
18	09403-20308	CLAMP	1	
19	29404-93J10	CLAMP, HARNESS	1	
20	09408-00008	CLIP (ID:20)	1	
21	09408-00184	CLAMP	3	
22	01550-06127	BOLT	1	
23	09408-00008	CLIP (ID:20)	1	
24	01550-06127	BOLT	1	
25	36865-90J00	TERMINAL, MAIN FUSE	2	
26	09251-09002	CAP	2	
27	09481-60401	FUSE (60A)	2	
28	01570-06127	BOLT	2	
29	08310-00067	NUT	2	
30-1	36625-93J10	LEAD, BATTERY	1	OPT L:6700
30-2	36625-93J00	LEAD, BATTERY	1	
31	09481-15501	FUSE (15A)	1	
32	09407-10404	CLAMP (L:100)	2	

FIG.165

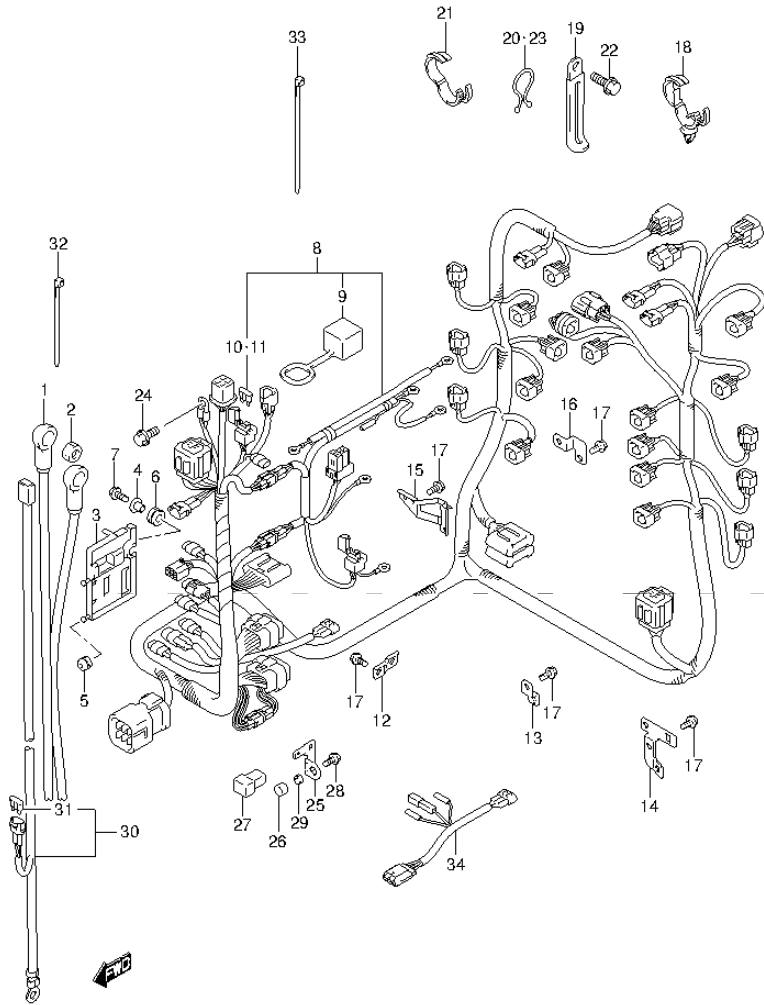


FIG.165 (2-I-8) HARNESS (DF250T E1)

REF NO.	PART NO.	DESCRIPTION	Q'TY	REMARKS
33	09407-14407	CLAMP (L:145)	1	
34	36647-93J00	LEAD, AUX PTT SWITCH	1	OPT

FIG.166

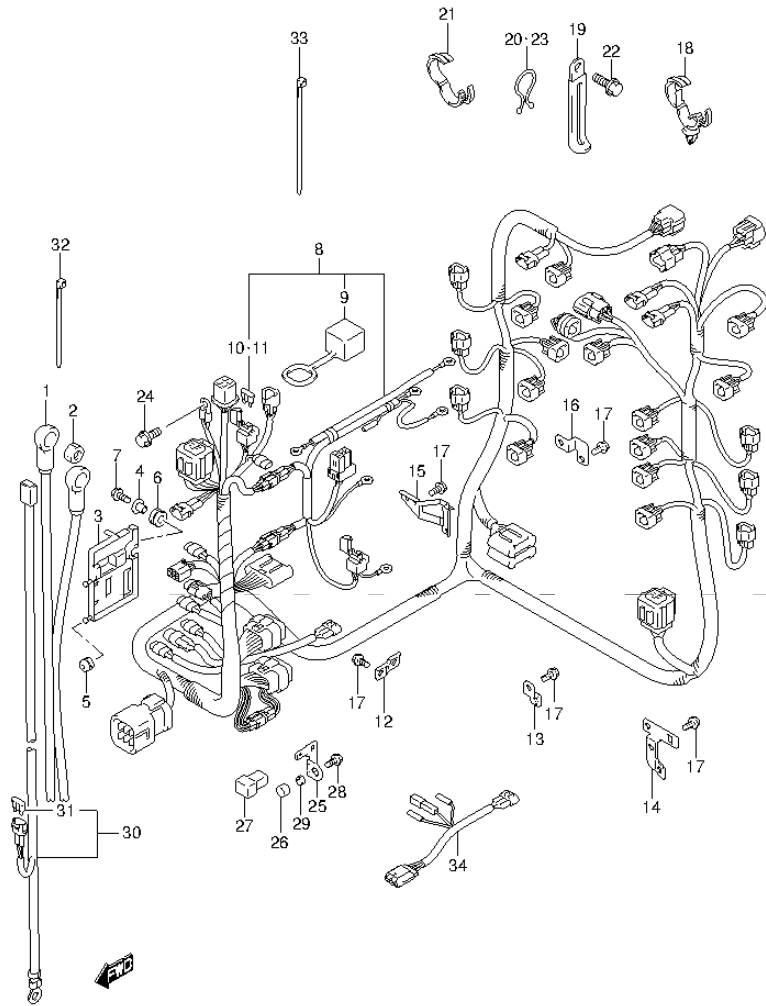


FIG.166 (2-I-9) HARNESS (DF250T E40)

REF NO.	PART NO.	DESCRIPTION	Q'TY	REMARKS
1	33810-93J01	CABLE, STARTER MOTOR	1	L:4000
2	08316-10087	NUT	1	
3	36616-93J01	HOLDER, CONNECTOR	1	
4	09169-06062	WASHER	1	
5	09320-04009	BUSH	2	
6	09320-09016	CUSHION	1	
7	01550-06257	BOLT	1	
8	36610-93JR1	HARNESS ASSY, WIRING	1	
9	33634-96J00	CAP, SERVICE CONNECTOR	1	
10	09481-15501	FUSE (15A)	1	
11	09481-30501	FUSE (30A)	1	
12	36617-93J00	BRACKET, HARNESS	3	
13	36617-93J10	BRACKET, HARNESS	4	
14	36617-93J20	BRACKET, HARNESS	1	
15	36617-93J30	BRACKET, HARNESS	1	
16	36617-93J40	BRACKET, HARNESS	1	
17	01550-06127	BOLT	11	
18	09403-20308	CLAMP	1	
19	29404-93J10	CLAMP, HARNESS	1	
20	09408-00008	CLIP (ID:20)	1	
21	09408-00184	CLAMP	3	
22	01550-06127	BOLT	1	
23	09408-00008	CLIP (ID:20)	1	
24	01550-06127	BOLT	1	
25	36865-90J00	TERMINAL, MAIN FUSE	2	
26	09251-09002	CAP	2	
27	09481-60401	FUSE (60A)	2	
28	01570-06127	BOLT	2	
29	08310-00067	NUT	2	
30-1	36625-93J10	LEAD, BATTERY	1	OPT L:6700
30-2	36625-93J00	LEAD, BATTERY	1	
31	09481-15501	FUSE (15A)	1	
32	09407-10404	CLAMP (L:100)	2	

FIG.166

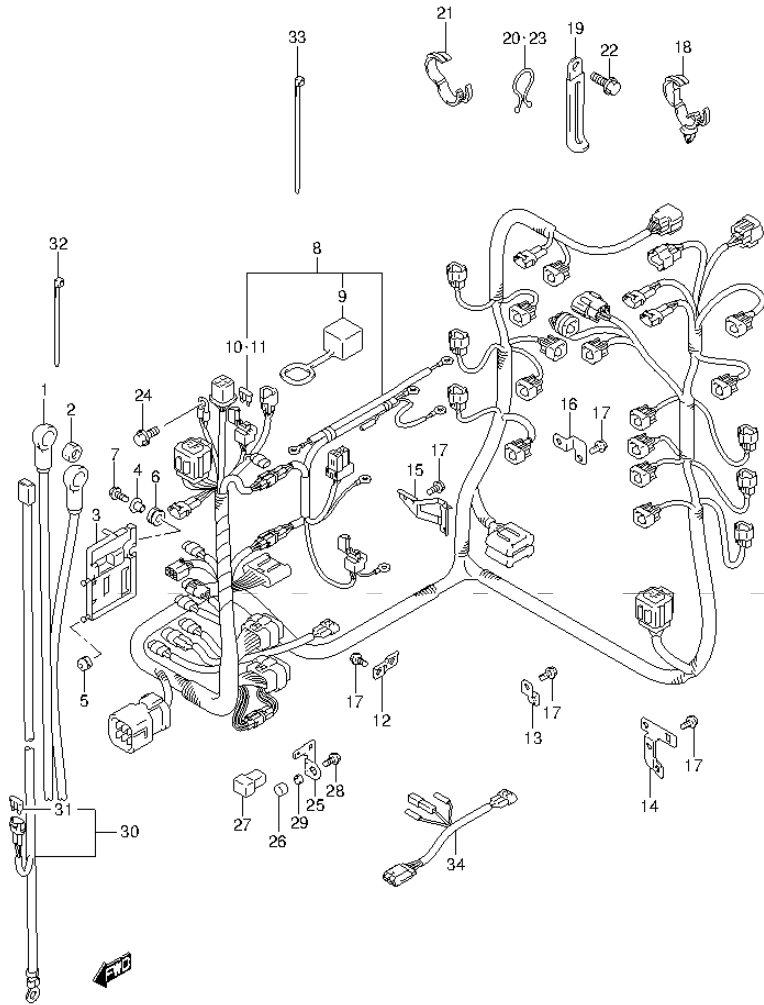


FIG.166 (2-I-10) HARNESS (DF250T E40)

REF NO.	PART NO.	DESCRIPTION	Q'TY	REMARKS
33	09407-14407	CLAMP (L:145)	1	
34	36647-93J00	LEAD, AUX PTT SWITCH	1	OPT

FIG.167

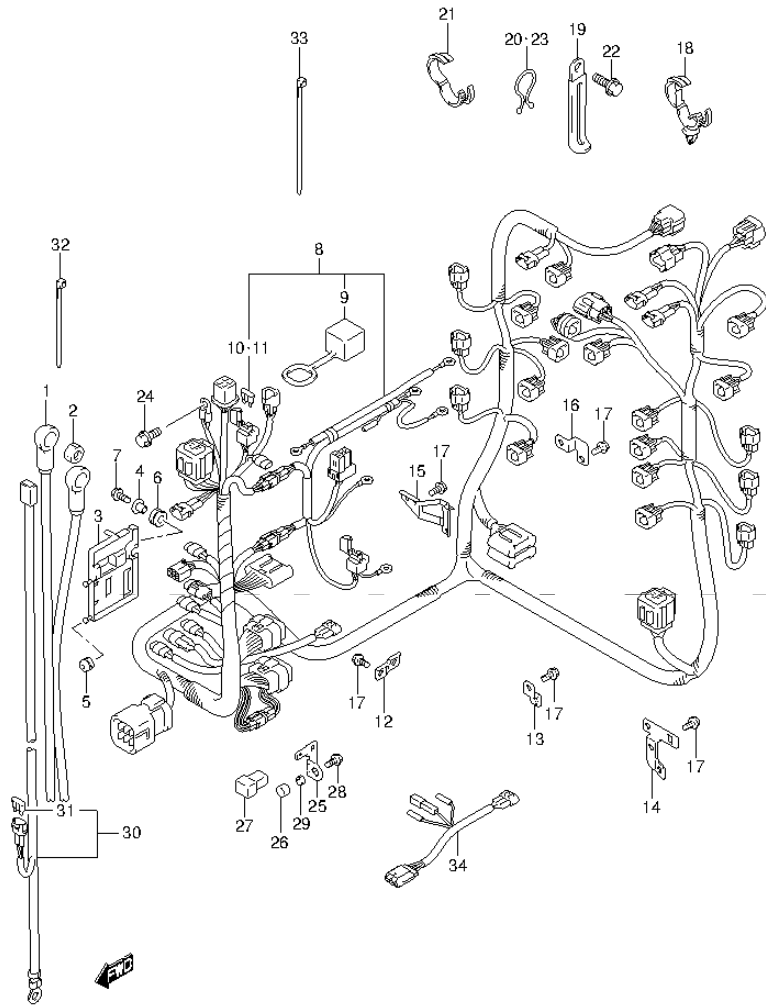


FIG.167 (2-I-11) HARNESS (DF250Z E1)

REF NO.	PART NO.	DESCRIPTION	Q'TY	REMARKS
1	33810-93J01	CABLE, STARTER MOTOR	1	L:4000
2	08316-10087	NUT	1	
3	36616-93J01	HOLDER, CONNECTOR	1	
4	09169-06062	WASHER	1	
5	09320-04009	BUSH	2	
6	09320-09016	CUSHION	1	
7	01550-06257	BOLT	1	
8	36610-93JR1	HARNESS ASSY, WIRING	1	
9	33634-96J00	CAP, SERVICE CONNECTOR	1	
10	09481-15501	FUSE (15A)	1	
11	09481-30501	FUSE (30A)	1	
12	36617-93J00	BRACKET, HARNESS	3	
13	36617-93J10	BRACKET, HARNESS	4	
14	36617-93J20	BRACKET, HARNESS	1	
15	36617-93J30	BRACKET, HARNESS	1	
16	36617-93J40	BRACKET, HARNESS	1	
17	01550-06127	BOLT	11	
18	09403-20308	CLAMP	1	
19	29404-93J10	CLAMP, HARNESS	1	
20	09408-00008	CLIP (ID:20)	1	
21	09408-00184	CLAMP	3	
22	01550-06127	BOLT	1	
23	09408-00008	CLIP (ID:20)	1	
24	01550-06127	BOLT	1	
25	36865-90J00	TERMINAL, MAIN FUSE	2	
26	09251-09002	CAP	2	
27	09481-60401	FUSE (60A)	2	
28	01570-06127	BOLT	2	
29	08310-00067	NUT	2	
30-1	36625-93J10	LEAD, BATTERY	1	OPT L:6700
30-2	36625-93J00	LEAD, BATTERY	1	
31	09481-15501	FUSE (15A)	1	
32	09407-10404	CLAMP (L:100)	2	

FIG.167

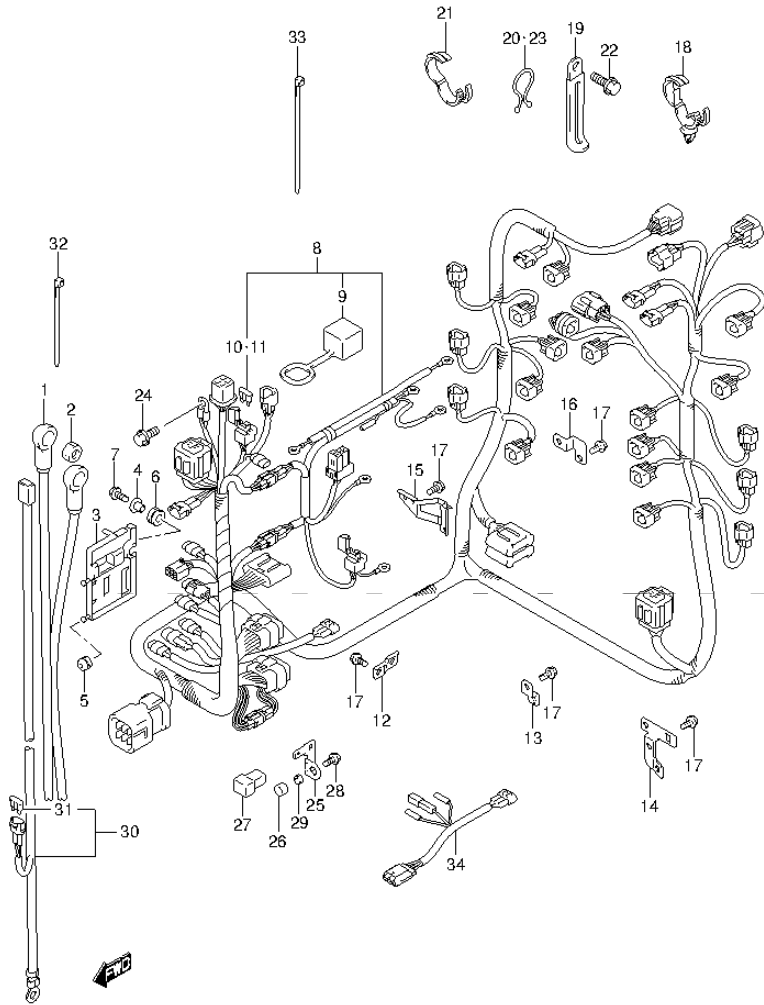


FIG.167 (2-I-12) HARNESS (DF250Z E1)

REF NO.	PART NO.	DESCRIPTION	Q'TY	REMARKS
33	09407-14407	CLAMP (L:145)	1	
34	36647-93J00	LEAD, AUX PTT SWITCH	1	OPT

FIG.168

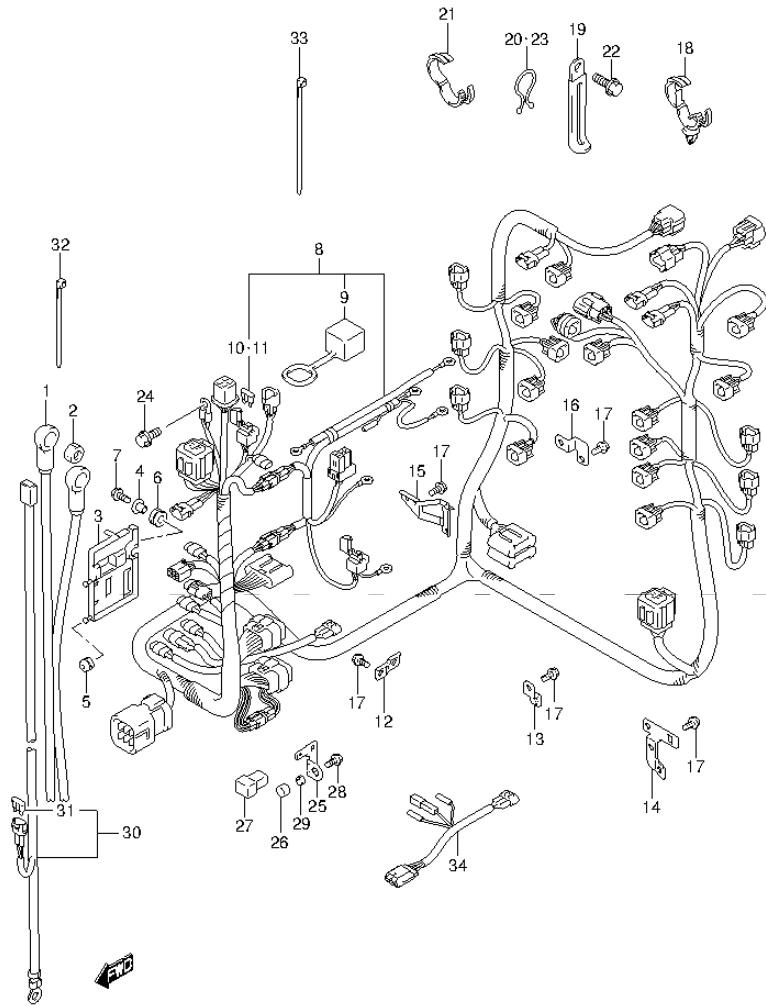


FIG.168 (2-I-13) HARNESS (DF250Z E40)

REF NO.	PART NO.	DESCRIPTION	Q'TY	REMARKS
1	33810-93J01	CABLE, STARTER MOTOR	1	L:4000
2	08316-10087	NUT	1	
3	36616-93J01	HOLDER, CONNECTOR	1	
4	09169-06062	WASHER	1	
5	09320-04009	BUSH	2	
6	09320-09016	CUSHION	1	
7	01550-06257	BOLT	1	
8	36610-93JR1	HARNESS ASSY, WIRING	1	
9	33634-96J00	CAP, SERVICE CONNECTOR	1	
10	09481-15501	FUSE (15A)	1	
11	09481-30501	FUSE (30A)	1	
12	36617-93J00	BRACKET, HARNESS	3	
13	36617-93J10	BRACKET, HARNESS	4	
14	36617-93J20	BRACKET, HARNESS	1	
15	36617-93J30	BRACKET, HARNESS	1	
16	36617-93J40	BRACKET, HARNESS	1	
17	01550-06127	BOLT	11	
18	09403-20308	CLAMP	1	
19	29404-93J10	CLAMP, HARNESS	1	
20	09408-00008	CLIP (ID:20)	1	
21	09408-00184	CLAMP	3	
22	01550-06127	BOLT	1	
23	09408-00008	CLIP (ID:20)	1	
24	01550-06127	BOLT	1	
25	36865-90J00	TERMINAL, MAIN FUSE	2	
26	09251-09002	CAP	2	
27	09481-60401	FUSE (60A)	2	
28	01570-06127	BOLT	2	
29	08310-00067	NUT	2	
30-1	36625-93J10	LEAD, BATTERY	1	OPT L:6700
30-2	36625-93J00	LEAD, BATTERY	1	
31	09481-15501	FUSE (15A)	1	
32	09407-10404	CLAMP (L:100)	2	

FIG.168

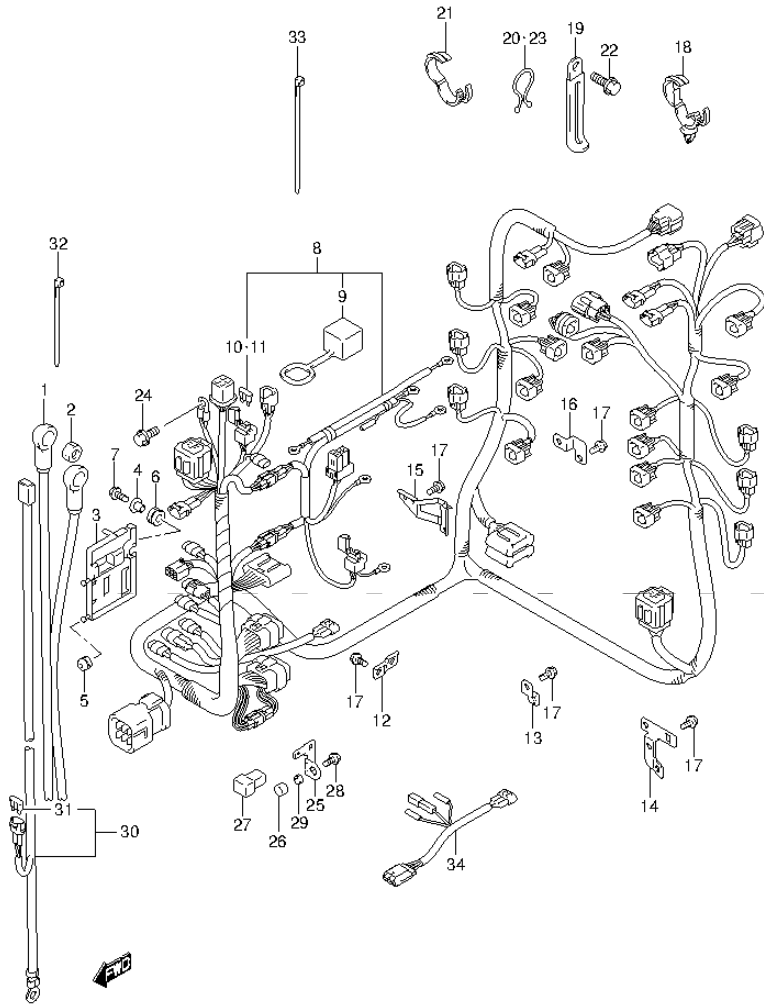


FIG.168 (2-I-14) HARNESS (DF250Z E40)

REF NO.	PART NO.	DESCRIPTION	Q'TY	REMARKS
33	09407-14407	CLAMP (L:145)	1	
34	36647-93J00	LEAD, AUX PTT SWITCH	1	OPT

FIG.169

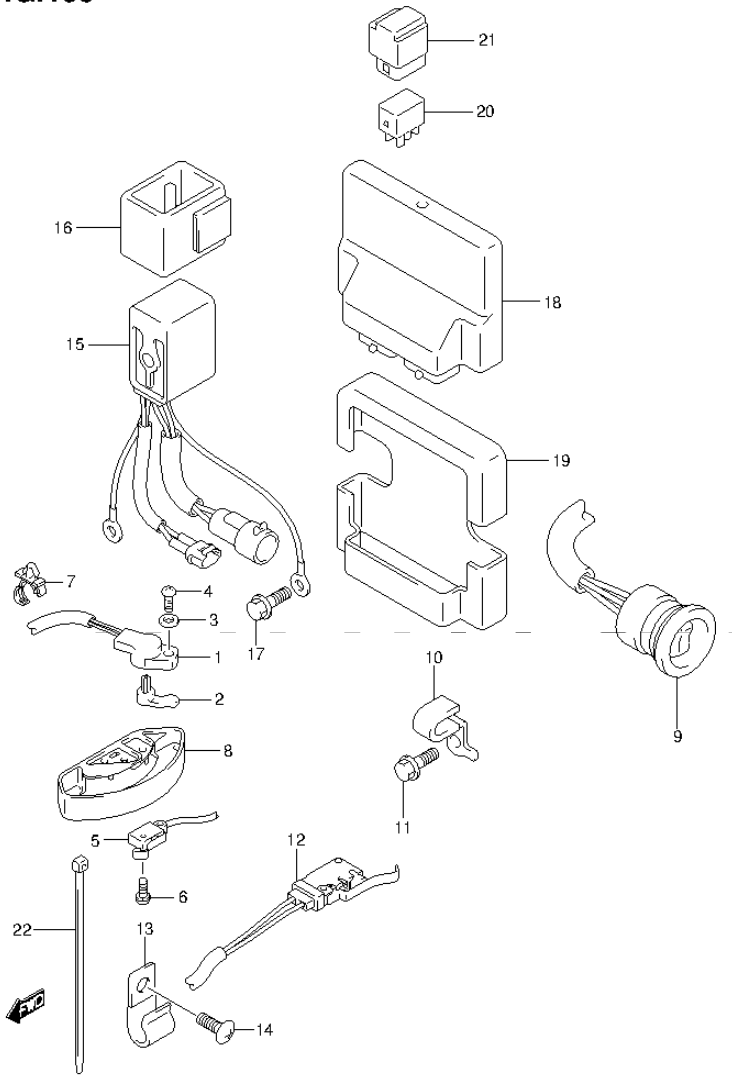


FIG.169 (2-I-15) PTT SWITCH / ENGINE CONTROL UNIT (DF200T E1)

REF NO.	PART NO.	DESCRIPTION	Q'TY	REMARKS
1	13580-93J02	SENSOR ASSY, SHIFT POSITION	1	
2	37729-93J00	LEVER, SHIFT SENSOR	1	
3	09160-05029	WASHER (5.5X12X0.8)	1	
4	02112-35167	SCREW	1	
5	37721-93J00	SWITCH ASSY, NEUTRAL	1	
6	09137-04004	SCREW (4X16)	2	
7	09403-12412	CLAMP	1	
8	37725-93J11	COVER, SWITCH ASSY	1	
9	37850-99E04	SWITCH ASSY, PTT	1	
10	09403-11315	CLAMP	1	
11	01550-06127	BOLT	1	
12	37722-93J11	SWITCH ASSY, TILT LIMIT	1	
13	09403-09316	CLAMP	1	W/TRANSOM(X.XX)
14	29125-93J00	SCREW, TILT LIMIT CLAMP (6X12)	1	W/TRANSOM(X.XX)
15	38410-93J12	RELAY, PTT	1	
16	38415-93J00	HOLDER, PTT RELAY	1	
17	01550-06127	BOLT	1	
18	33920-93JN0	UNIT, ENGINE CONTROL	1	
19	33925-93J00	CUSHION, ENGINE CONTROL UNIT	1	
20	38860-76F01	RELAY, ENGINE CONTROL UNIT	1	
21	38915-90J00	HOLDER, RELAY	1	
22	09407-14407	CLAMP (L:145)	1	W/TRANSOM(L)

FIG.170

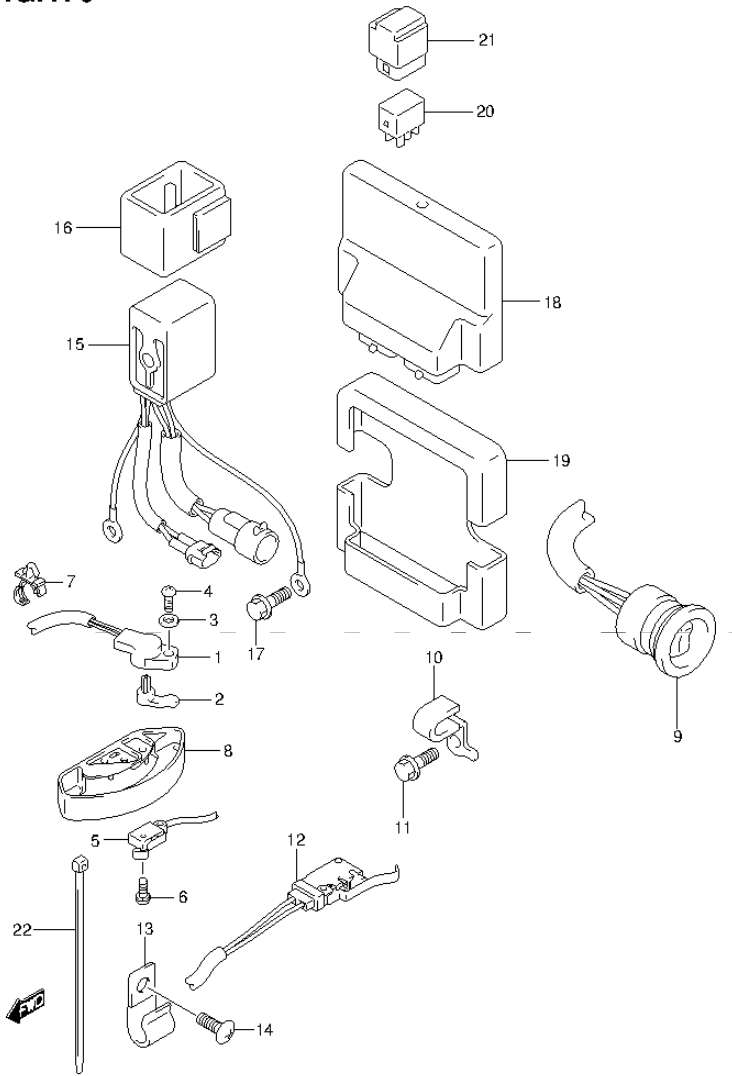


FIG.170 (2-J-2) PTT SWITCH / ENGINE CONTROL UNIT (DF200T E40)

REF NO.	PART NO.	DESCRIPTION	Q'TY	REMARKS
1	13580-93J02	SENSOR ASSY, SHIFT POSITION	1	
2	37729-93J00	LEVER, SHIFT SENSOR	1	
3	09160-05029	WASHER (5.5X12X0.8)	1	
4	02112-35167	SCREW	1	
5	37721-93J00	SWITCH ASSY, NEUTRAL	1	
6	09137-04004	SCREW (4X16)	2	
7	09403-12412	CLAMP	1	
8	37725-93J11	COVER, SWITCH ASSY	1	
9	37850-99E04	SWITCH ASSY, PTT	1	
10	09403-11315	CLAMP	1	
11	01550-06127	BOLT	1	
12	37722-93J11	SWITCH ASSY, TILT LIMIT	1	
13	09403-09316	CLAMP	1	W/TRANSOM(X)
14	29125-93J00	SCREW, TILT LIMIT CLAMP (6X12)	1	W/TRANSOM(X)
15	38410-93J12	RELAY, PTT	1	
16	38415-93J00	HOLDER, PTT RELAY	1	
17	01550-06127	BOLT	1	
18	33920-93JM0	UNIT, ENGINE CONTROL	1	
19	33925-93J00	CUSHION, ENGINE CONTROL UNIT	1	
20	38860-76F01	RELAY, ENGINE CONTROL UNIT	1	
21	38915-90J00	HOLDER, RELAY	1	
22	09407-14407	CLAMP (L:145)	1	W/TRANSOM(L)

FIG.171

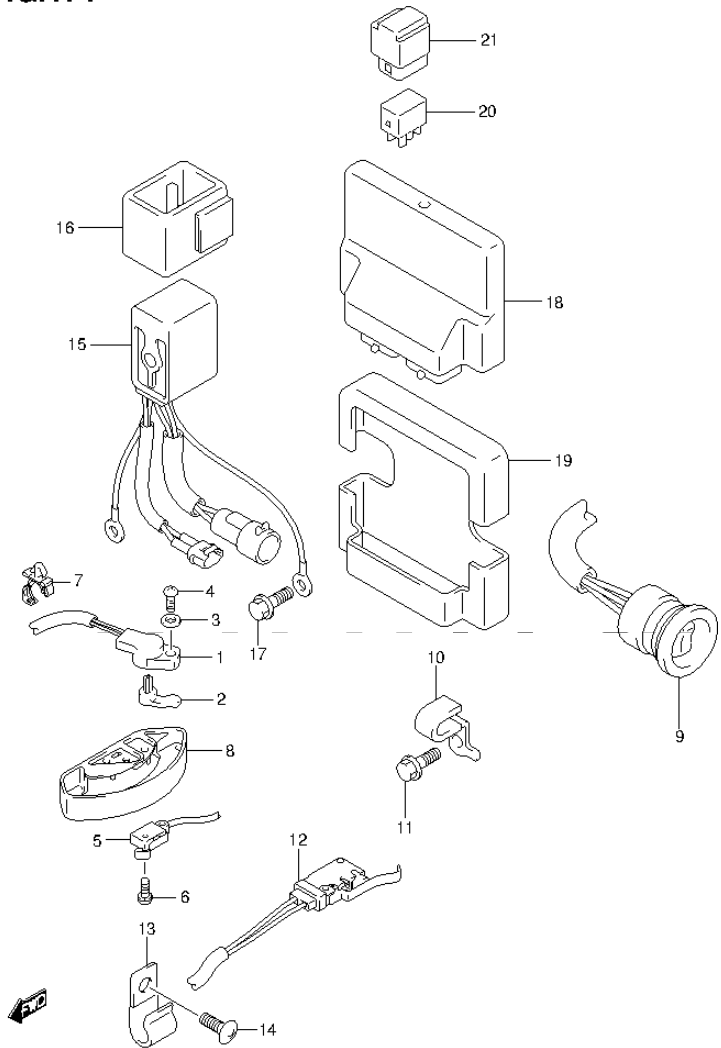


FIG.171 (2-J-3) PTT SWITCH / ENGINE CONTROL UNIT (DF200Z E1)

REF NO.	PART NO.	DESCRIPTION	Q'TY	REMARKS
1	13580-93J02	SENSOR ASSY, SHIFT POSITION	1	
2	37729-93J00	LEVER, SHIFT SENSOR	1	
3	09160-05029	WASHER (5.5X12X0.8)	1	
4	02112-35167	SCREW	1	
5	37721-93J00	SWITCH ASSY, NEUTRAL	1	
6	09137-04004	SCREW (4X16)	2	
7	09403-12412	CLAMP	1	
8	37725-93J11	COVER, SWITCH ASSY	1	
9	37850-99E04	SWITCH ASSY, PTT	1	
10	09403-11315	CLAMP	1	
11	01550-06127	BOLT	1	
12	37722-93J11	SWITCH ASSY, TILT LIMIT	1	
13	09403-09316	CLAMP	1	
14	29125-93J00	SCREW, TILT LIMIT CLAMP (6X12)	1	
15	38410-93J12	RELAY, PTT	1	
16	38415-93J00	HOLDER, PTT RELAY	1	
17	01550-06127	BOLT	1	
18	33920-93JN0	UNIT, ENGINE CONTROL	1	
19	33925-93J00	CUSHION, ENGINE CONTROL UNIT	1	
20	38860-76F01	RELAY, ENGINE CONTROL UNIT	1	
21	38915-90J00	HOLDER, RELAY	1	

FIG.172

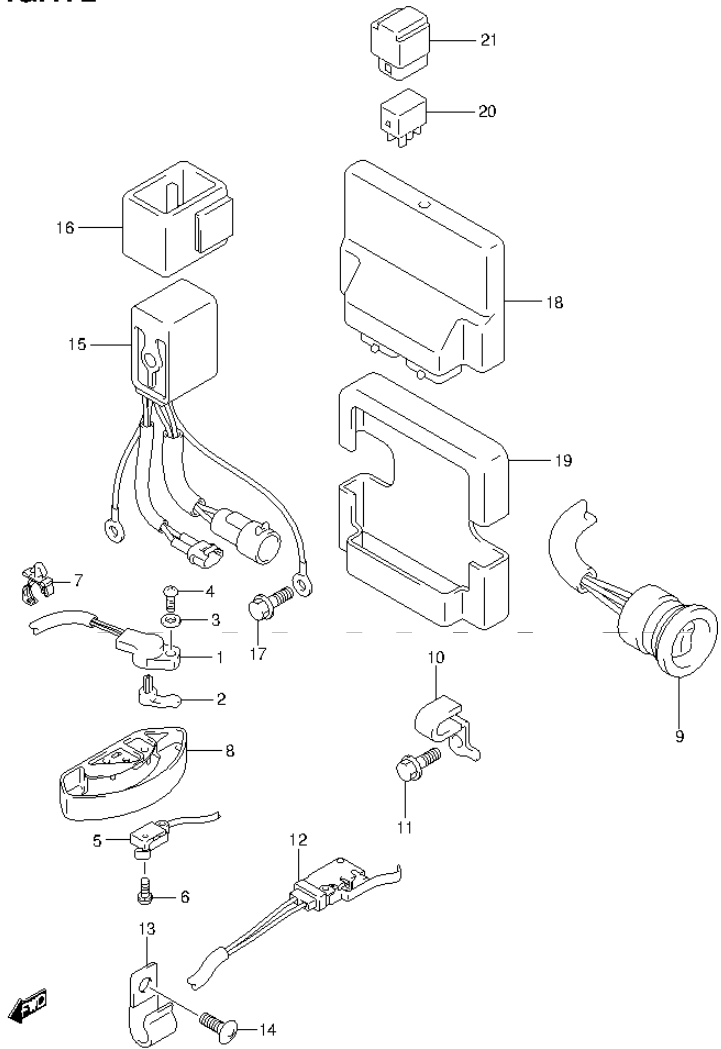


FIG.172 (2-J-4) PTT SWITCH / ENGINE CONTROL UNIT (DF200Z E40)

REF NO.	PART NO.	DESCRIPTION	Q'TY	REMARKS
1	13580-93J02	SENSOR ASSY, SHIFT POSITION	1	
2	37729-93J00	LEVER, SHIFT SENSOR	1	
3	09160-05029	WASHER (5.5X12X0.8)	1	
4	02112-35167	SCREW	1	
5	37721-93J00	SWITCH ASSY, NEUTRAL	1	
6	09137-04004	SCREW (4X16)	2	
7	09403-12412	CLAMP	1	
8	37725-93J11	COVER, SWITCH ASSY	1	
9	37850-99E04	SWITCH ASSY, PTT	1	
10	09403-11315	CLAMP	1	
11	01550-06127	BOLT	1	
12	37722-93J11	SWITCH ASSY, TILT LIMIT	1	
13	09403-09316	CLAMP	1	
14	29125-93J00	SCREW, TILT LIMIT CLAMP (6X12)	1	
15	38410-93J12	RELAY, PTT	1	
16	38415-93J00	HOLDER, PTT RELAY	1	
17	01550-06127	BOLT	1	
18	33920-93JM0	UNIT, ENGINE CONTROL	1	
19	33925-93J00	CUSHION, ENGINE CONTROL UNIT	1	
20	38860-76F01	RELAY, ENGINE CONTROL UNIT	1	
21	38915-90J00	HOLDER, RELAY	1	

FIG.173

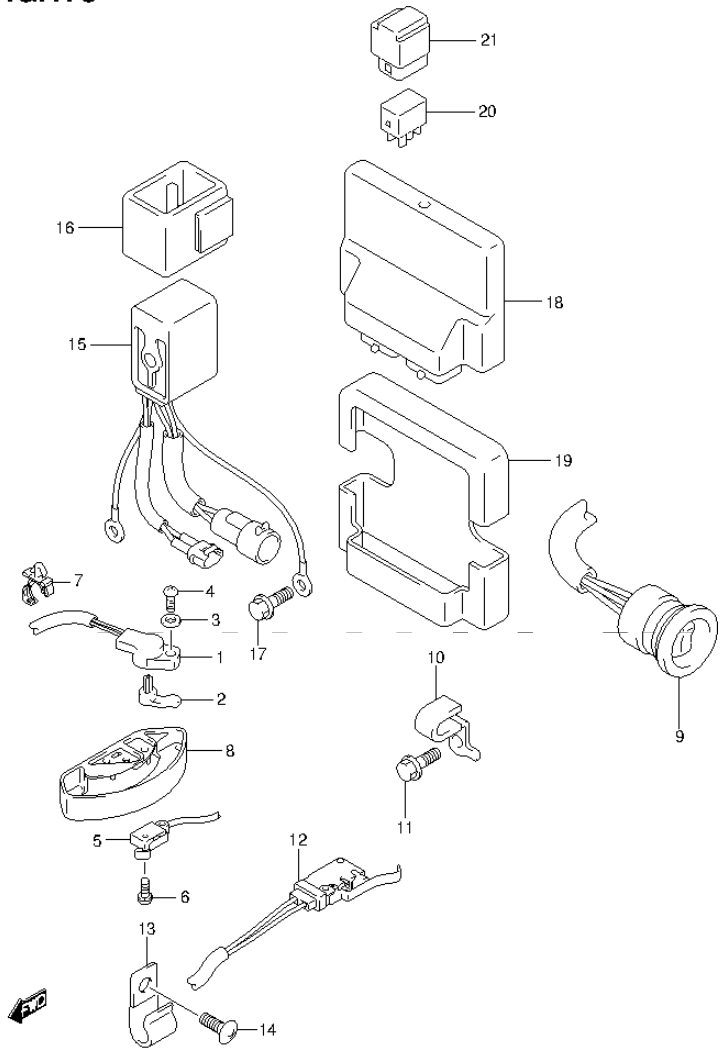


FIG.173 (2-J-5) PTT SWITCH / ENGINE CONTROL UNIT (DF25T E1)

REF NO.	PART NO.	DESCRIPTION	Q'TY	REMARKS
1	13580-93J02	SENSOR ASSY, SHIFT POSITION	1	
2	37729-93J00	LEVER, SHIFT SENSOR	1	
3	09160-05029	WASHER (5.5X12X0.8)	1	
4	02112-35167	SCREW	1	
5	37721-93J00	SWITCH ASSY, NEUTRAL	1	
6	09137-04004	SCREW (4X16)	2	
7	09403-12412	CLAMP	1	
8	37725-93J11	COVER, SWITCH ASSY	1	
9	37850-99E04	SWITCH ASSY, PTT	1	
10	09403-11315	CLAMP	1	
11	01550-06127	BOLT	1	
12	37722-93J11	SWITCH ASSY, TILT LIMIT	1	
13	09403-09316	CLAMP	1	
14	29125-93J00	SCREW, TILT LIMIT CLAMP (6X12)	1	
15	38410-93J12	RELAY, PTT	1	
16	38415-93J00	HOLDER, PTT RELAY	1	
17	01550-06127	BOLT	1	
18	33920-93JN0	UNIT, ENGINE CONTROL	1	
19	33925-93J00	CUSHION, ENGINE CONTROL UNIT	1	
20	38860-76F01	RELAY, ENGINE CONTROL UNIT	1	
21	38915-90J00	HOLDER, RELAY	1	

FIG.174

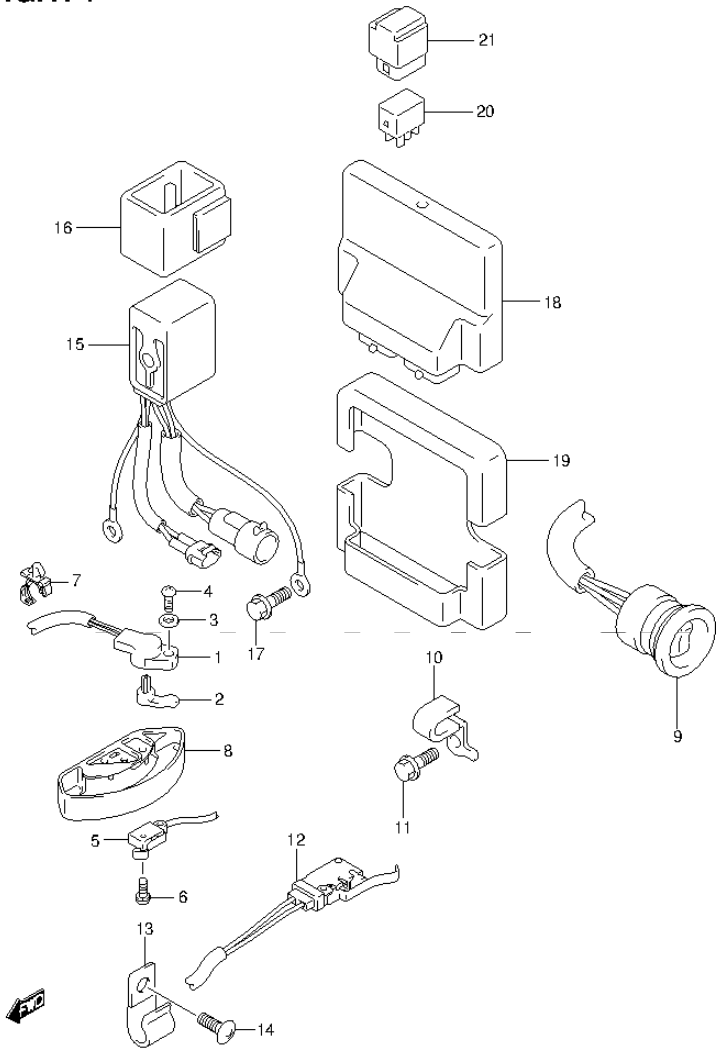


FIG.174 (2-J-6) PTT SWITCH / ENGINE CONTROL UNIT (DF25T E40)

REF NO.	PART NO.	DESCRIPTION	Q'TY	REMARKS
1	13580-93J02	SENSOR ASSY, SHIFT POSITION	1	
2	37729-93J00	LEVER, SHIFT SENSOR	1	
3	09160-05029	WASHER (5.5X12X0.8)	1	
4	02112-35167	SCREW	1	
5	37721-93J00	SWITCH ASSY, NEUTRAL	1	
6	09137-04004	SCREW (4X16)	2	
7	09403-12412	CLAMP	1	
8	37725-93J11	COVER, SWITCH ASSY	1	
9	37850-99E04	SWITCH ASSY, PTT	1	
10	09403-11315	CLAMP	1	
11	01550-06127	BOLT	1	
12	37722-93J11	SWITCH ASSY, TILT LIMIT	1	
13	09403-09316	CLAMP	1	
14	29125-93J00	SCREW, TILT LIMIT CLAMP (6X12)	1	
15	38410-93J12	RELAY, PTT	1	
16	38415-93J00	HOLDER, PTT RELAY	1	
17	01550-06127	BOLT	1	
18	33920-93JM0	UNIT, ENGINE CONTROL	1	
19	33925-93J00	CUSHION, ENGINE CONTROL UNIT	1	
20	38860-76F01	RELAY, ENGINE CONTROL UNIT	1	
21	38915-90J00	HOLDER, RELAY	1	

FIG.175

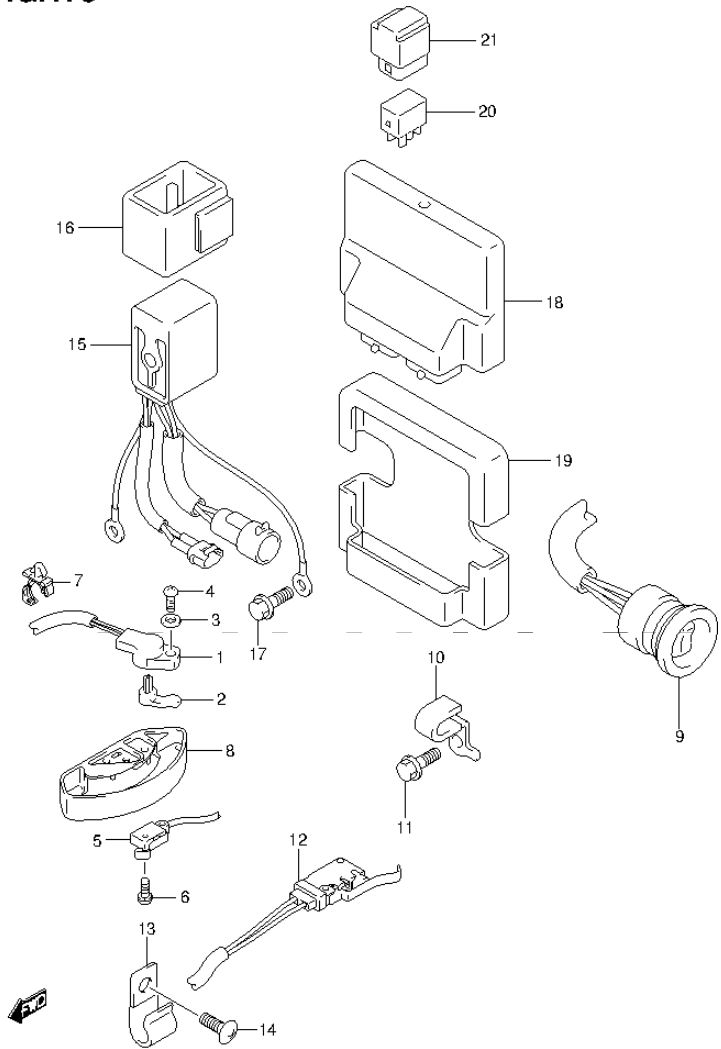


FIG.175 (2-J-7) PTT SWITCH / ENGINE CONTROL UNIT (DF25Z E1)

REF NO.	PART NO.	DESCRIPTION	Q'TY	REMARKS
1	13580-93J02	SENSOR ASSY, SHIFT POSITION	1	
2	37729-93J00	LEVER, SHIFT SENSOR	1	
3	09160-05029	WASHER (5.5X12X0.8)	1	
4	02112-35167	SCREW	1	
5	37721-93J00	SWITCH ASSY, NEUTRAL	1	
6	09137-04004	SCREW (4X16)	2	
7	09403-12412	CLAMP	1	
8	37725-93J11	COVER, SWITCH ASSY	1	
9	37850-99E04	SWITCH ASSY, PTT	1	
10	09403-11315	CLAMP	1	
11	01550-06127	BOLT	1	
12	37722-93J11	SWITCH ASSY, TILT LIMIT	1	
13	09403-09316	CLAMP	1	
14	29125-93J00	SCREW, TILT LIMIT CLAMP (6X12)	1	
15	38410-93J12	RELAY, PTT	1	
16	38415-93J00	HOLDER, PTT RELAY	1	
17	01550-06127	BOLT	1	
18	33920-93JN0	UNIT, ENGINE CONTROL	1	
19	33925-93J00	CUSHION, ENGINE CONTROL UNIT	1	
20	38860-76F01	RELAY, ENGINE CONTROL UNIT	1	
21	38915-90J00	HOLDER, RELAY	1	

FIG.176

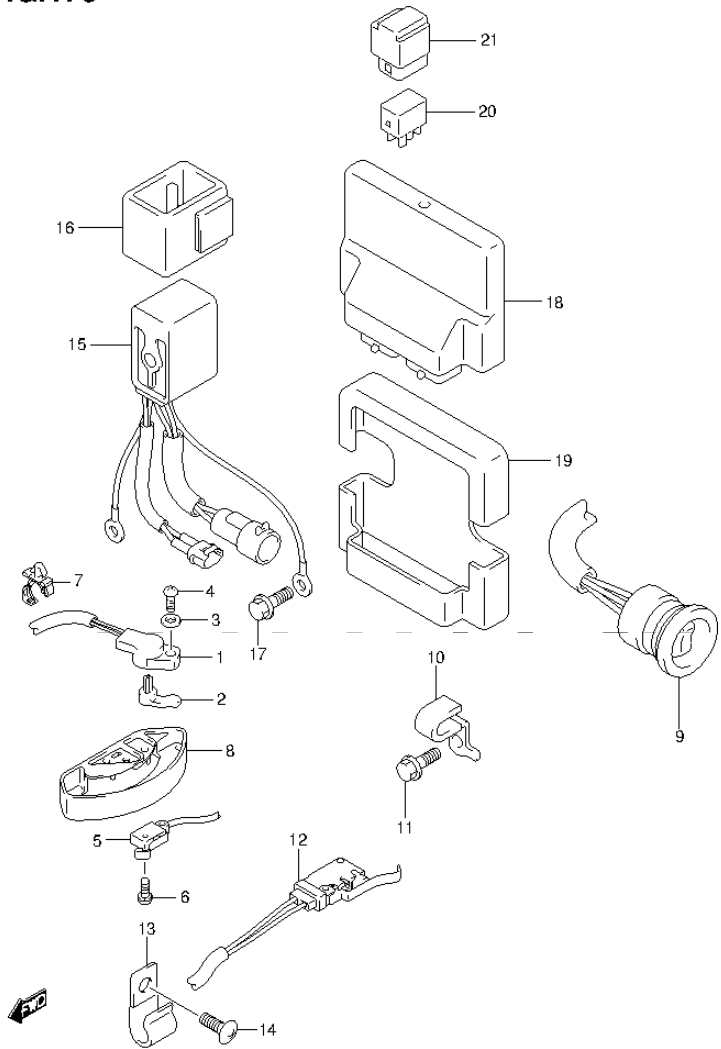


FIG.176 (2-J-8) PTT SWITCH / ENGINE CONTROL UNIT (DF25Z E40)

REF NO.	PART NO.	DESCRIPTION	Q'TY	REMARKS
1	13580-93J02	SENSOR ASSY, SHIFT POSITION	1	
2	37729-93J00	LEVER, SHIFT SENSOR	1	
3	09160-05029	WASHER (5.5X12X0.8)	1	
4	02112-35167	SCREW	1	
5	37721-93J00	SWITCH ASSY, NEUTRAL	1	
6	09137-04004	SCREW (4X16)	2	
7	09403-12412	CLAMP	1	
8	37725-93J11	COVER, SWITCH ASSY	1	
9	37850-99E04	SWITCH ASSY, PTT	1	
10	09403-11315	CLAMP	1	
11	01550-06127	BOLT	1	
12	37722-93J11	SWITCH ASSY, TILT LIMIT	1	
13	09403-09316	CLAMP	1	
14	29125-93J00	SCREW, TILT LIMIT CLAMP (6X12)	1	
15	38410-93J12	RELAY, PTT	1	
16	38415-93J00	HOLDER, PTT RELAY	1	
17	01550-06127	BOLT	1	
18	33920-93JM0	UNIT, ENGINE CONTROL	1	
19	33925-93J00	CUSHION, ENGINE CONTROL UNIT	1	
20	38860-76F01	RELAY, ENGINE CONTROL UNIT	1	
21	38915-90J00	HOLDER, RELAY	1	

FIG.177

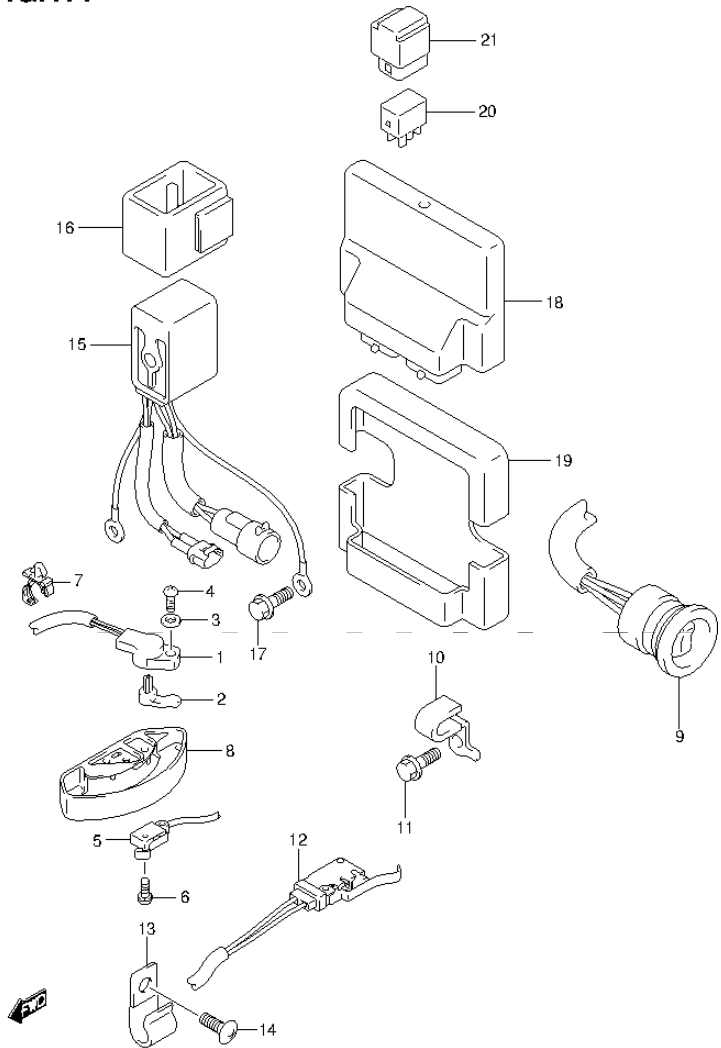


FIG.177 (2-J-9) PTT SWITCH / ENGINE CONTROL UNIT (DF250T E1)

REF NO.	PART NO.	DESCRIPTION	Q'TY	REMARKS
1	13580-93J02	SENSOR ASSY, SHIFT POSITION	1	
2	37729-93J00	LEVER, SHIFT SENSOR	1	
3	09160-05029	WASHER (5.5X12X0.8)	1	
4	02112-35167	SCREW	1	
5	37721-93J00	SWITCH ASSY, NEUTRAL	1	
6	09137-04004	SCREW (4X16)	2	
7	09403-12412	CLAMP	1	
8	37725-93J11	COVER, SWITCH ASSY	1	
9	37850-99E04	SWITCH ASSY, PTT	1	
10	09403-11315	CLAMP	1	
11	01550-06127	BOLT	1	
12	37722-93J11	SWITCH ASSY, TILT LIMIT	1	
13	09403-09316	CLAMP	1	
14	29125-93J00	SCREW, TILT LIMIT CLAMP (6X12)	1	
15	38410-93J12	RELAY, PTT	1	
16	38415-93J00	HOLDER, PTT RELAY	1	
17	01550-06127	BOLT	1	
18	33920-93JN0	UNIT, ENGINE CONTROL	1	
19	33925-93J00	CUSHION, ENGINE CONTROL UNIT	1	
20	38860-76F01	RELAY, ENGINE CONTROL UNIT	1	
21	38915-90J00	HOLDER, RELAY	1	

FIG.178

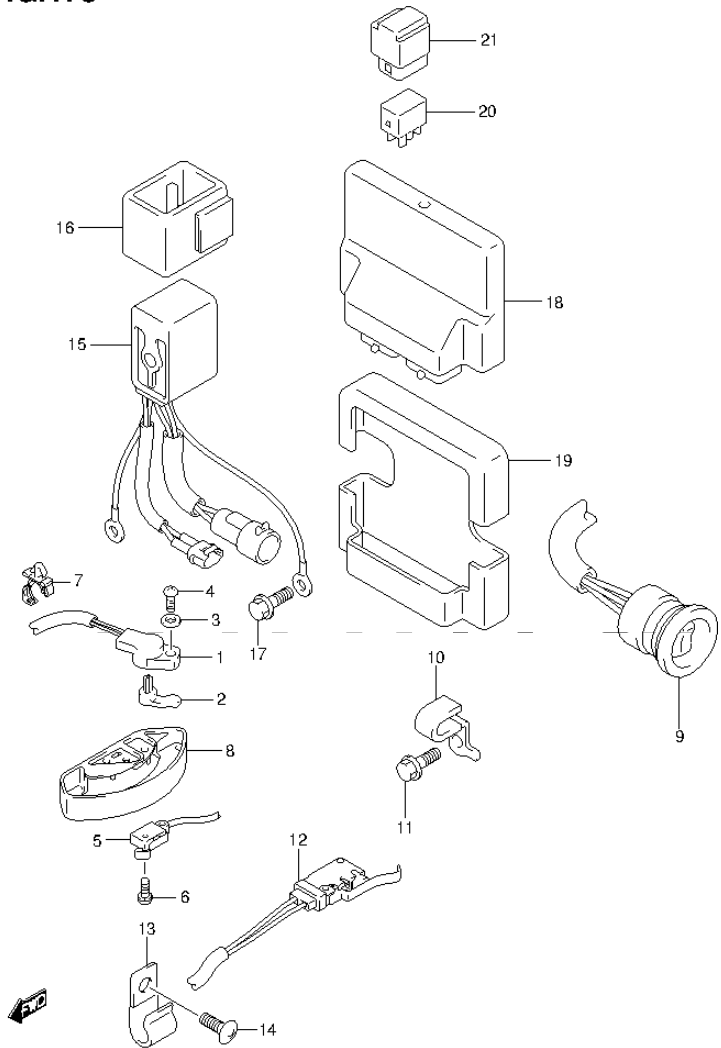


FIG.178 (2-J-10) PTT SWITCH / ENGINE CONTROL UNIT (DF250T E40)

REF NO.	PART NO.	DESCRIPTION	Q'TY	REMARKS
1	13580-93J02	SENSOR ASSY, SHIFT POSITION	1	
2	37729-93J00	LEVER, SHIFT SENSOR	1	
3	09160-05029	WASHER (5.5X12X0.8)	1	
4	02112-35167	SCREW	1	
5	37721-93J00	SWITCH ASSY, NEUTRAL	1	
6	09137-04004	SCREW (4X16)	2	
7	09403-12412	CLAMP	1	
8	37725-93J11	COVER, SWITCH ASSY	1	
9	37850-99E04	SWITCH ASSY, PTT	1	
10	09403-11315	CLAMP	1	
11	01550-06127	BOLT	1	
12	37722-93J11	SWITCH ASSY, TILT LIMIT	1	
13	09403-09316	CLAMP	1	
14	29125-93J00	SCREW, TILT LIMIT CLAMP (6X12)	1	
15	38410-93J12	RELAY, PTT	1	
16	38415-93J00	HOLDER, PTT RELAY	1	
17	01550-06127	BOLT	1	
18	33920-93JM0	UNIT, ENGINE CONTROL	1	
19	33925-93J00	CUSHION, ENGINE CONTROL UNIT	1	
20	38860-76F01	RELAY, ENGINE CONTROL UNIT	1	
21	38915-90J00	HOLDER, RELAY	1	

FIG.179

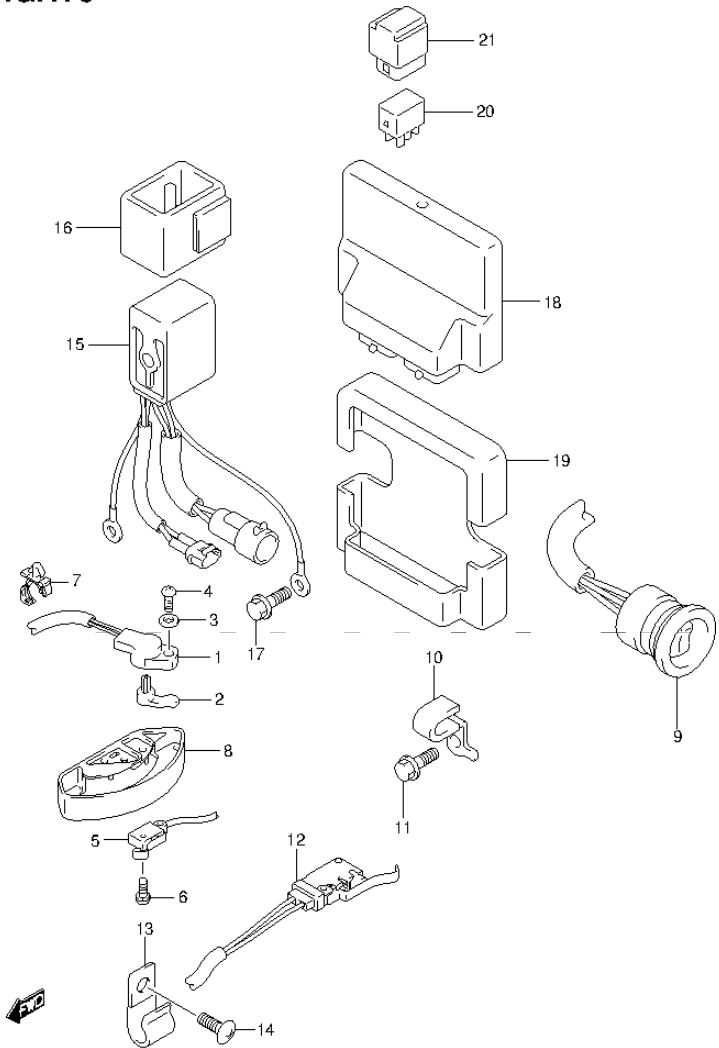


FIG.179 (2-J-11) PTT SWITCH / ENGINE CONTROL UNIT (DF250Z E1)

REF NO.	PART NO.	DESCRIPTION	Q'TY	REMARKS
1	13580-93J02	SENSOR ASSY, SHIFT POSITION	1	
2	37729-93J00	LEVER, SHIFT SENSOR	1	
3	09160-05029	WASHER (5.5X12X0.8)	1	
4	02112-35167	SCREW	1	
5	37721-93J00	SWITCH ASSY, NEUTRAL	1	
6	09137-04004	SCREW (4X16)	2	
7	09403-12412	CLAMP	1	
8	37725-93J11	COVER, SWITCH ASSY	1	
9	37850-99E04	SWITCH ASSY, PTT	1	
10	09403-11315	CLAMP	1	
11	01550-06127	BOLT	1	
12	37722-93J11	SWITCH ASSY, TILT LIMIT	1	
13	09403-09316	CLAMP	1	
14	29125-93J00	SCREW, TILT LIMIT CLAMP (6X12)	1	
15	38410-93J12	RELAY, PTT	1	
16	38415-93J00	HOLDER, PTT RELAY	1	
17	01550-06127	BOLT	1	
18	33920-93JN0	UNIT, ENGINE CONTROL	1	
19	33925-93J00	CUSHION, ENGINE CONTROL UNIT	1	
20	38860-76F01	RELAY, ENGINE CONTROL UNIT	1	
21	38915-90J00	HOLDER, RELAY	1	

FIG.180

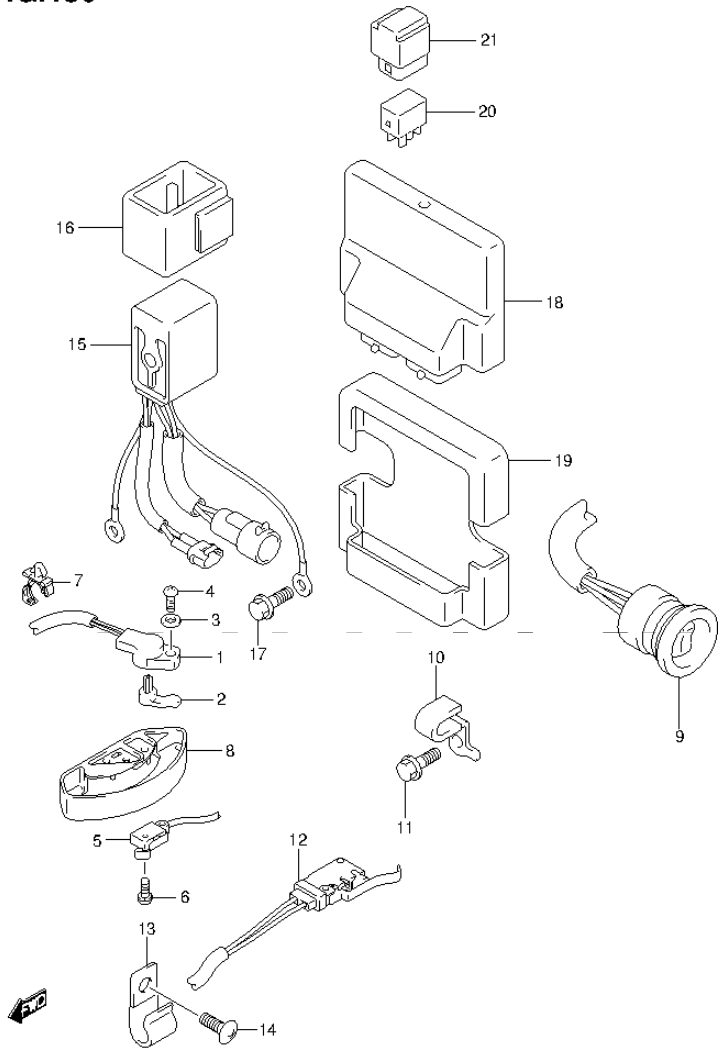


FIG.180 (2-J-12) PTT SWITCH / ENGINE CONTROL UNIT (DF250Z E40)

REF NO.	PART NO.	DESCRIPTION	Q'TY	REMARKS
1	13580-93J02	SENSOR ASSY, SHIFT POSITION	1	
2	37729-93J00	LEVER, SHIFT SENSOR	1	
3	09160-05029	WASHER (5.5X12X0.8)	1	
4	02112-35167	SCREW	1	
5	37721-93J00	SWITCH ASSY, NEUTRAL	1	
6	09137-04004	SCREW (4X16)	2	
7	09403-12412	CLAMP	1	
8	37725-93J11	COVER, SWITCH ASSY	1	
9	37850-99E04	SWITCH ASSY, PTT	1	
10	09403-11315	CLAMP	1	
11	01550-06127	BOLT	1	
12	37722-93J11	SWITCH ASSY, TILT LIMIT	1	
13	09403-09316	CLAMP	1	
14	29125-93J00	SCREW, TILT LIMIT CLAMP (6X12)	1	
15	38410-93J12	RELAY, PTT	1	
16	38415-93J00	HOLDER, PTT RELAY	1	
17	01550-06127	BOLT	1	
18	33920-93JM0	UNIT, ENGINE CONTROL	1	
19	33925-93J00	CUSHION, ENGINE CONTROL UNIT	1	
20	38860-76F01	RELAY, ENGINE CONTROL UNIT	1	
21	38915-90J00	HOLDER, RELAY	1	

FIG.181

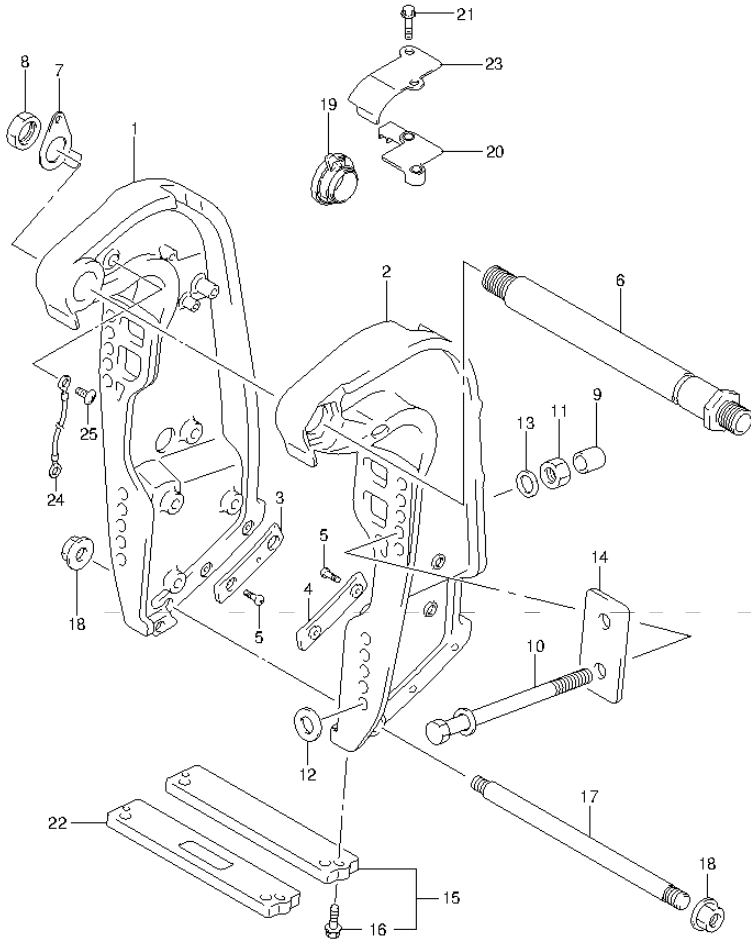


FIG.181 (2-J-13) CLAMP BRACKET TRANSOM(X,XX) (DF200T E1)

REF NO.	PART NO.	DESCRIPTION	Q'TY	REMARKS
1	41111-93J14-0EP	BRACKET, CLAMP STBD (BLACK)	1	
2	41121-93J06-0EP	BRACKET, CLAMP PORT (BLACK)	1	
3	41117-93J01	PLATE, CLAMP BRKT LOWER STBD	1	
4	41122-93J01	PLATE, CLAMP BRKT LOWER PORT	1	
5	09125-06063	SCREW (6X10)	4	
6	41130-93J12	SHAFT, CLAMP BRKT	1	
7	41135-93J11	WASHER, CLAMP BRACKET SHAFT	1	
8	09159-22006	NUT	1	
9	41153-93J00	CAP, TRANSOM BOLT	6	
10-1	09100-12092	BOLT (12X75)	1	OPT
10-2	09100-12086	BOLT (12X150)	6	
10-3	09100-12085	BOLT (12.7X115)	1	OPT
11	09159-12062	NUT	6	
12	09160-13017	WASHER (13.2X45X5)	4	
13	09160-13016	WASHER (13.2X26X3)	6	
14	41155-93J02	PLATE, TRANSOM	2	
15	55320-94900	ZINC SET, PROTECTION	1	
16	09116-06121	BOLT (6X25)	2	
17	45421-87D02	PIN, TILT LOCK	1	
18	09159-14020	NUT	2	
19	48140-93J01	CAM, TILT LIMIT SWITCH	1	
20	48144-93J00	HOLDER, TILT LIMIT SWITCH	1	
21	09103-06278	BOLT (6X25)	2	
22	55321-94910	ANODE (MAGNESIUM)	1	OPT
23	48145-93J00	COVER, TILT LIMIT SWITCH	1	
24	36894-87D00	LEAD (CLAMP TO SWIVEL)	1	
25	09125-06063	SCREW (6X10)	2	

FIG.182

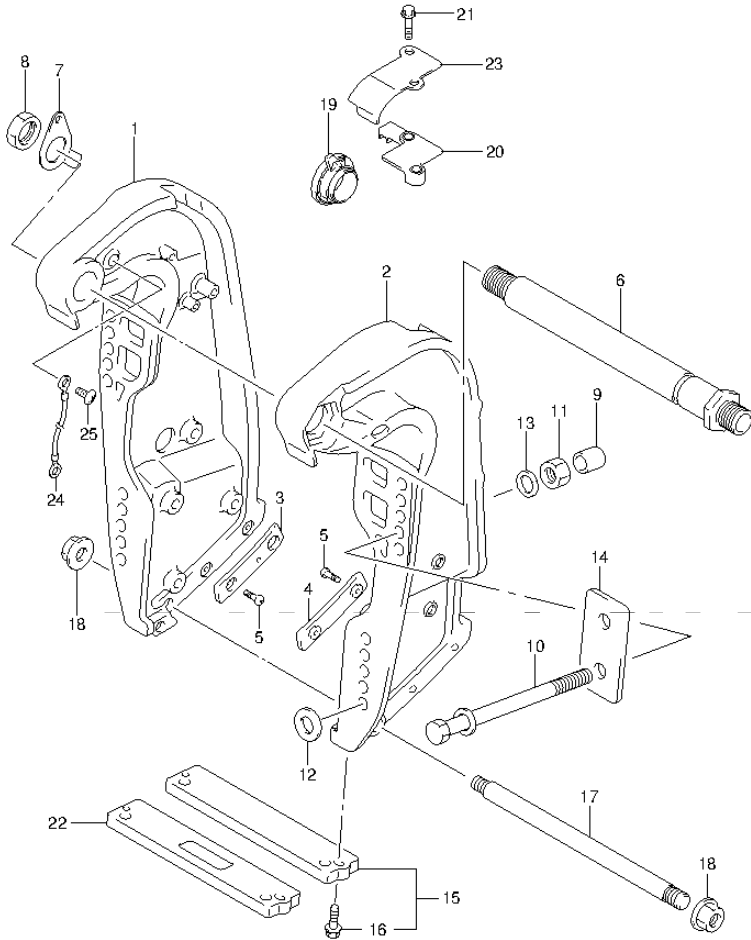


FIG.182 (2-J-14) CLAMP BRACKET TRANSOM(X) (DF200T E40)

REF NO.	PART NO.	DESCRIPTION	Q'TY	REMARKS
1	41111-93J14-0EP	BRACKET, CLAMP STBD (BLACK)	1	
2	41121-93J06-0EP	BRACKET, CLAMP PORT (BLACK)	1	
3	41117-93J01	PLATE, CLAMP BRKT LOWER STBD	1	
4	41122-93J01	PLATE, CLAMP BRKT LOWER PORT	1	
5	09125-06063	SCREW (6X10)	4	
6	41130-93J12	SHAFT, CLAMP BRKT	1	
7	41135-93J11	WASHER, CLAMP BRACKET SHAFT	1	
8	09159-22006	NUT	1	
9	41153-93J00	CAP, TRANSOM BOLT	6	
10-1	09100-12092	BOLT (12X75)	1	OPT
10-2	09100-12086	BOLT (12X150)	6	
10-3	09100-12085	BOLT (12.7X115)	1	OPT
11	09159-12062	NUT	6	
12	09160-13017	WASHER (13.2X45X5)	4	
13	09160-13016	WASHER (13.2X26X3)	6	
14	41155-93J02	PLATE, TRANSOM	2	
15	55320-94900	ZINC SET, PROTECTION	1	
16	09116-06121	BOLT (6X25)	2	
17	45421-87D02	PIN, TILT LOCK	1	
18	09159-14020	NUT	2	
19	48140-93J01	CAM, TILT LIMIT SWITCH	1	
20	48144-93J00	HOLDER, TILT LIMIT SWITCH	1	
21	09103-06278	BOLT (6X25)	2	
22	55321-94910	ANODE (MAGNESIUM)	1	OPT
23	48145-93J00	COVER, TILT LIMIT SWITCH	1	
24	36894-87D00	LEAD (CLAMP TO SWIVEL)	1	
25	09125-06063	SCREW (6X10)	2	

FIG.183

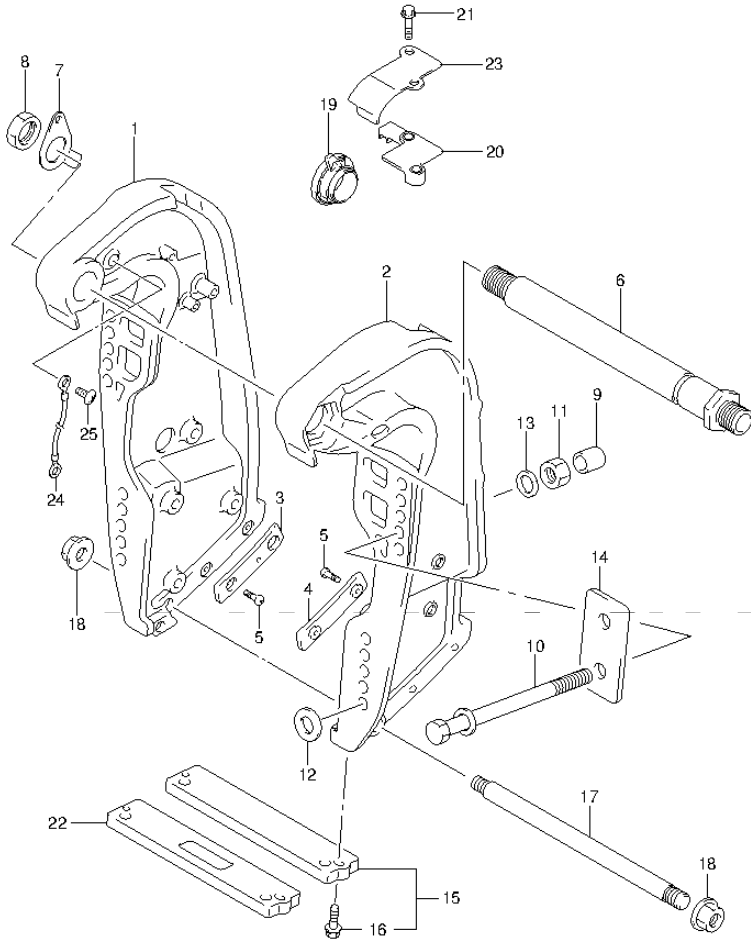


FIG.183 (2-J-15) CLAMP BRACKET TRANSOM(X,XX) (DF200Z E1)

REF NO.	PART NO.	DESCRIPTION	Q'TY	REMARKS
1	41111-93J14-0EP	BRACKET, CLAMP STBD (BLACK)	1	
2	41121-93J06-0EP	BRACKET, CLAMP PORT (BLACK)	1	
3	41117-93J01	PLATE, CLAMP BRKT LOWER STBD	1	
4	41122-93J01	PLATE, CLAMP BRKT LOWER PORT	1	
5	09125-06063	SCREW (6X10)	4	
6	41130-93J12	SHAFT, CLAMP BRKT	1	
7	41135-93J11	WASHER, CLAMP BRACKET SHAFT	1	
8	09159-22006	NUT	1	
9	41153-93J00	CAP, TRANSOM BOLT	6	
10-1	09100-12092	BOLT (12X75)	1	OPT
10-2	09100-12086	BOLT (12X150)	6	
10-3	09100-12085	BOLT (12.7X115)	1	OPT
11	09159-12062	NUT	6	
12	09160-13017	WASHER (13.2X45X5)	4	
13	09160-13016	WASHER (13.2X26X3)	6	
14	41155-93J02	PLATE, TRANSOM	2	
15	55320-94900	ZINC SET, PROTECTION	1	
16	09116-06121	BOLT (6X25)	2	
17	45421-87D02	PIN, TILT LOCK	1	
18	09159-14020	NUT	2	
19	48140-93J01	CAM, TILT LIMIT SWITCH	1	
20	48144-93J00	HOLDER, TILT LIMIT SWITCH	1	
21	09103-06278	BOLT (6X25)	2	
22	55321-94910	ANODE (MAGNESIUM)	1	OPT
23	48145-93J00	COVER, TILT LIMIT SWITCH	1	
24	36894-87D00	LEAD (CLAMP TO SWIVEL)	1	
25	09125-06063	SCREW (6X10)	2	

FIG.184

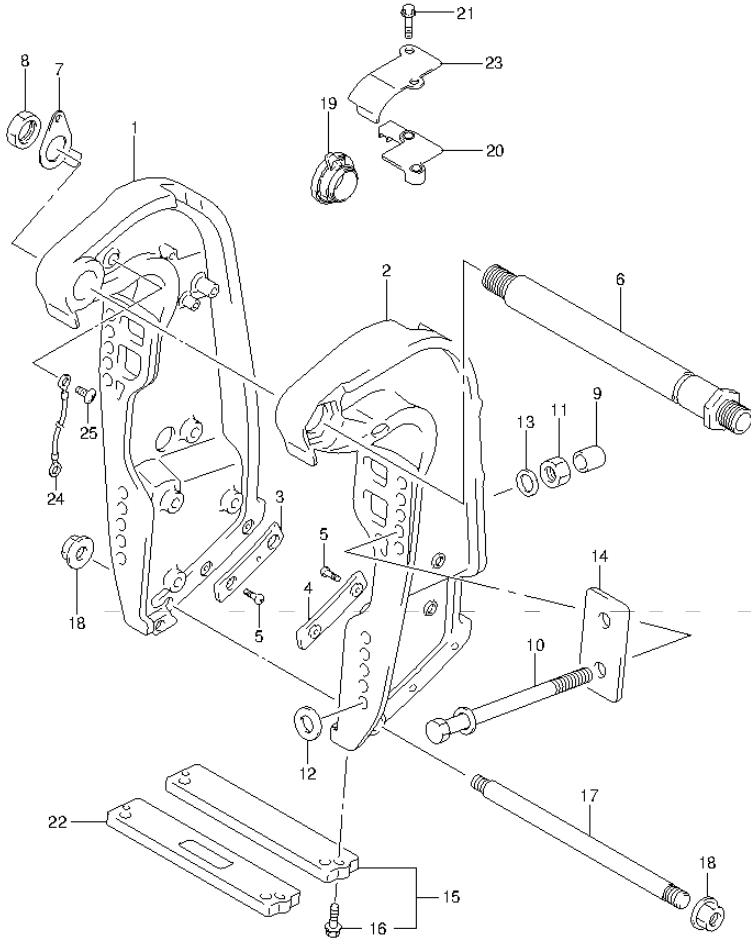


FIG.184 (2-K-2) CLAMP BRACKET TRANSOM(X) (DF200Z E40)

REF NO.	PART NO.	DESCRIPTION	Q'TY	REMARKS
1	41111-93J14-0EP	BRACKET, CLAMP STBD (BLACK)	1	
2	41121-93J06-0EP	BRACKET, CLAMP PORT (BLACK)	1	
3	41117-93J01	PLATE, CLAMP BRKT LOWER STBD	1	
4	41122-93J01	PLATE, CLAMP BRKT LOWER PORT	1	
5	09125-06063	SCREW (6X10)	4	
6	41130-93J12	SHAFT, CLAMP BRKT	1	
7	41135-93J11	WASHER, CLAMP BRACKET SHAFT	1	
8	09159-22006	NUT	1	
9	41153-93J00	CAP, TRANSOM BOLT	6	
10-1	09100-12092	BOLT (12X75)	1	OPT
10-2	09100-12086	BOLT (12X150)	6	
10-3	09100-12085	BOLT (12.7X115)	1	OPT
11	09159-12062	NUT	6	
12	09160-13017	WASHER (13.2X45X5)	4	
13	09160-13016	WASHER (13.2X26X3)	6	
14	41155-93J02	PLATE, TRANSOM	2	
15	55320-94900	ZINC SET, PROTECTION	1	
16	09116-06121	BOLT (6X25)	2	
17	45421-87D02	PIN, TILT LOCK	1	
18	09159-14020	NUT	2	
19	48140-93J01	CAM, TILT LIMIT SWITCH	1	
20	48144-93J00	HOLDER, TILT LIMIT SWITCH	1	
21	09103-06278	BOLT (6X25)	2	
22	55321-94910	ANODE (MAGNESIUM)	1	OPT
23	48145-93J00	COVER, TILT LIMIT SWITCH	1	
24	36894-87D00	LEAD (CLAMP TO SWIVEL)	1	
25	09125-06063	SCREW (6X10)	2	

FIG.185

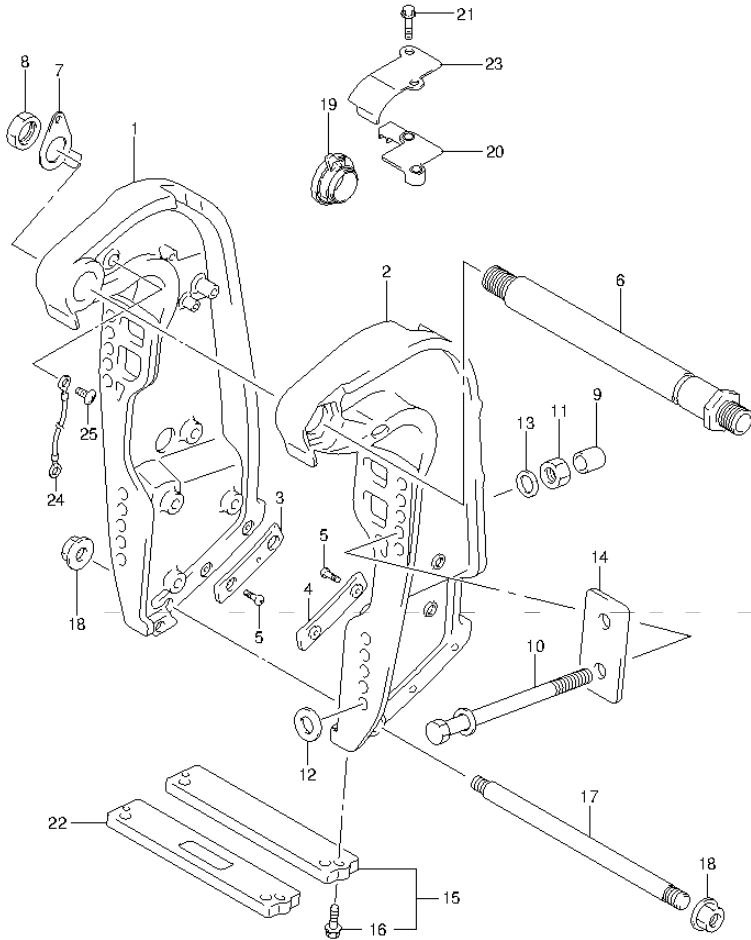


FIG.185 (2-K-3) CLAMP BRACKET TRANSOM(X,XX) (DF225T E1)

REF NO.	PART NO.	DESCRIPTION	Q'TY	REMARKS
1	41111-93J14-0EP	BRACKET, CLAMP STBD (BLACK)	1	
2	41121-93J06-0EP	BRACKET, CLAMP PORT (BLACK)	1	
3	41117-93J01	PLATE, CLAMP BRKT LOWER STBD	1	
4	41122-93J01	PLATE, CLAMP BRKT LOWER PORT	1	
5	09125-06063	SCREW (6X10)	4	
6	41130-93J12	SHAFT, CLAMP BRKT	1	
7	41135-93J11	WASHER, CLAMP BRACKET SHAFT	1	
8	09159-22006	NUT	1	
9	41153-93J00	CAP, TRANSOM BOLT	6	
10-1	09100-12092	BOLT (12X75)	1	OPT
10-2	09100-12086	BOLT (12X150)	6	
10-3	09100-12085	BOLT (12.7X115)	1	OPT
11	09159-12062	NUT	6	
12	09160-13017	WASHER (13.2X45X5)	4	
13	09160-13016	WASHER (13.2X26X3)	6	
14	41155-93J02	PLATE, TRANSOM	2	
15	55320-94900	ZINC SET, PROTECTION	1	
16	09116-06121	BOLT (6X25)	2	
17	45421-87D02	PIN, TILT LOCK	1	
18	09159-14020	NUT	2	
19	48140-93J01	CAM, TILT LIMIT SWITCH	1	
20	48144-93J00	HOLDER, TILT LIMIT SWITCH	1	
21	09103-06278	BOLT (6X25)	2	
22	55321-94910	ANODE (MAGNESIUM)	1	OPT
23	48145-93J00	COVER, TILT LIMIT SWITCH	1	
24	36894-87D00	LEAD (CLAMP TO SWIVEL)	1	
25	09125-06063	SCREW (6X10)	2	

FIG.186

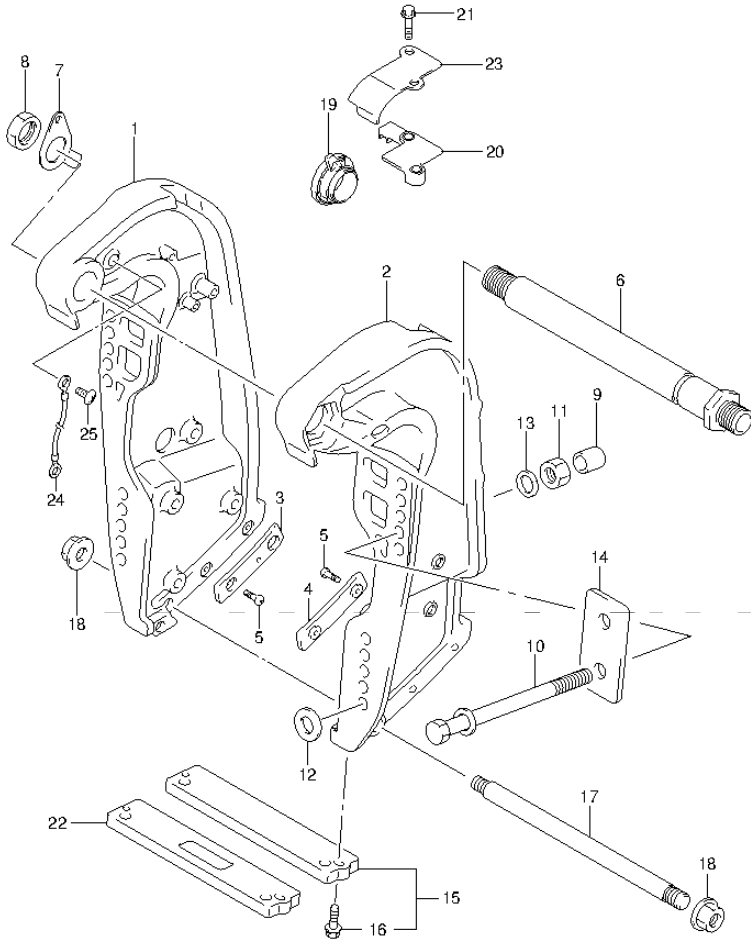


FIG.186 (2-K-4) CLAMP BRACKET TRANSOM(X,XX) (DF225T E40)

REF NO.	PART NO.	DESCRIPTION	Q'TY	REMARKS
1	41111-93J14-0EP	BRACKET, CLAMP STBD (BLACK)	1	
2	41121-93J06-0EP	BRACKET, CLAMP PORT (BLACK)	1	
3	41117-93J01	PLATE, CLAMP BRKT LOWER STBD	1	
4	41122-93J01	PLATE, CLAMP BRKT LOWER PORT	1	
5	09125-06063	SCREW (6X10)	4	
6	41130-93J12	SHAFT, CLAMP BRKT	1	
7	41135-93J11	WASHER, CLAMP BRACKET SHAFT	1	
8	09159-22006	NUT	1	
9	41153-93J00	CAP, TRANSOM BOLT	6	
10-1	09100-12092	BOLT (12X75)	1	OPT
10-2	09100-12086	BOLT (12X150)	6	
10-3	09100-12085	BOLT (12.7X115)	1	OPT
11	09159-12062	NUT	6	
12	09160-13017	WASHER (13.2X45X5)	4	
13	09160-13016	WASHER (13.2X26X3)	6	
14	41155-93J02	PLATE, TRANSOM	2	
15	55320-94900	ZINC SET, PROTECTION	1	
16	09116-06121	BOLT (6X25)	2	
17	45421-87D02	PIN, TILT LOCK	1	
18	09159-14020	NUT	2	
19	48140-93J01	CAM, TILT LIMIT SWITCH	1	
20	48144-93J00	HOLDER, TILT LIMIT SWITCH	1	
21	09103-06278	BOLT (6X25)	2	
22	55321-94910	ANODE (MAGNESIUM)	1	OPT
23	48145-93J00	COVER, TILT LIMIT SWITCH	1	
24	36894-87D00	LEAD (CLAMP TO SWIVEL)	1	
25	09125-06063	SCREW (6X10)	2	

FIG.187

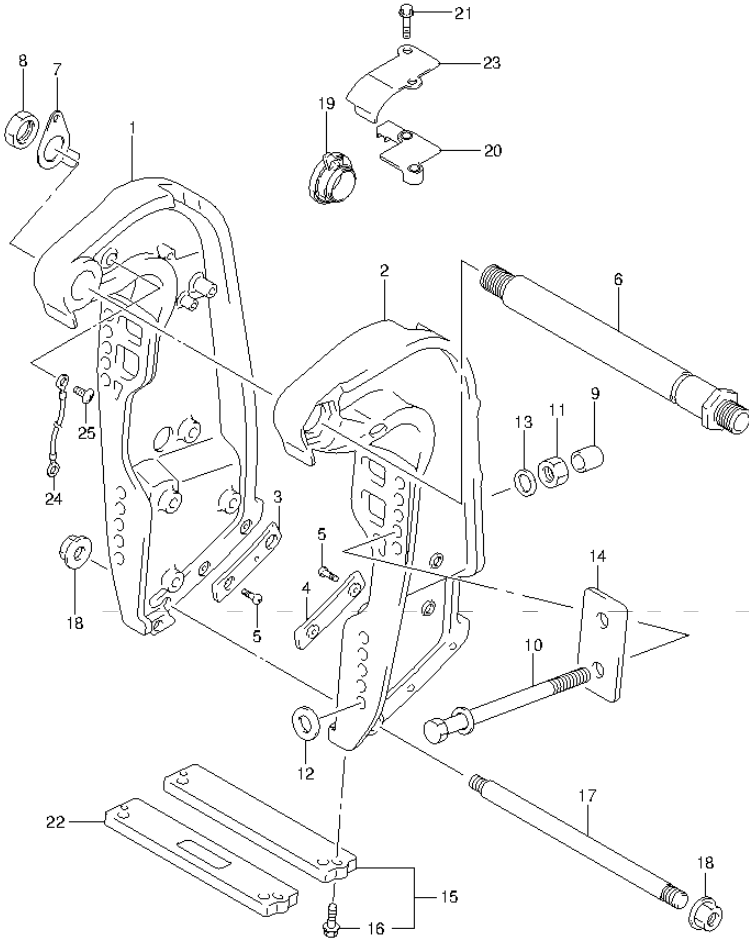


FIG.187 (2-K-5) CLAMP BRACKET TRANSOM(X,XX) (DF225Z E1)

REF NO.	PART NO.	DESCRIPTION	Q'TY	REMARKS
1	41111-93J14-0EP	BRACKET, CLAMP STBD (BLACK)	1	
2	41121-93J06-0EP	BRACKET, CLAMP PORT (BLACK)	1	
3	41117-93J01	PLATE, CLAMP BRKT LOWER STBD	1	
4	41122-93J01	PLATE, CLAMP BRKT LOWER PORT	1	
5	09125-06063	SCREW (6X10)	4	
6	41130-93J12	SHAFT, CLAMP BRKT	1	
7	41135-93J11	WASHER, CLAMP BRACKET SHAFT	1	
8	09159-22006	NUT	1	
9	41153-93J00	CAP, TRANSOM BOLT	6	
10-1	09100-12092	BOLT (12X75)	1	OPT
10-2	09100-12086	BOLT (12X150)	6	
10-3	09100-12085	BOLT (12.7X115)	1	OPT
11	09159-12062	NUT	6	
12	09160-13017	WASHER (13.2X45X5)	4	
13	09160-13016	WASHER (13.2X26X3)	6	
14	41155-93J02	PLATE, TRANSOM	2	
15	55320-94900	ZINC SET, PROTECTION	1	
16	09116-06121	BOLT (6X25)	2	
17	45421-87D02	PIN, TILT LOCK	1	
18	09159-14020	NUT	2	
19	48140-93J01	CAM, TILT LIMIT SWITCH	1	
20	48144-93J00	HOLDER, TILT LIMIT SWITCH	1	
21	09103-06278	BOLT (6X25)	2	
22	55321-94910	ANODE (MAGNESIUM)	1	OPT
23	48145-93J00	COVER, TILT LIMIT SWITCH	1	
24	36894-87D00	LEAD (CLAMP TO SWIVEL)	1	
25	09125-06063	SCREW (6X10)	2	

FIG.188

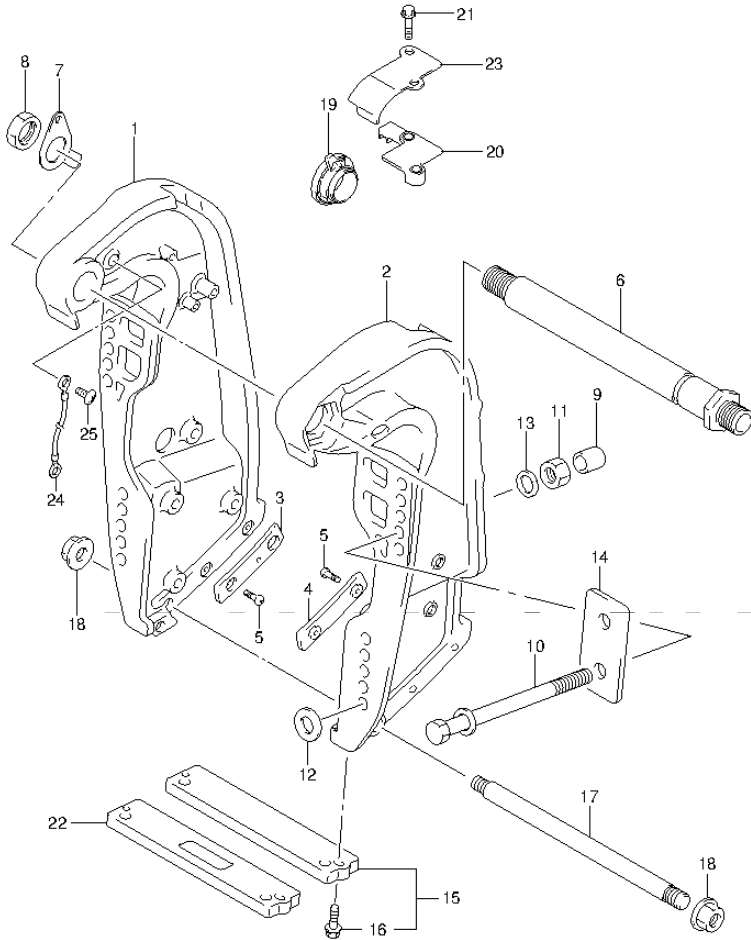


FIG.188 (2-K-6) CLAMP BRACKET TRANSOM(X,XX) (DF225Z E40)

REF NO.	PART NO.	DESCRIPTION	Q'TY	REMARKS
1	41111-93J14-0EP	BRACKET, CLAMP STBD (BLACK)	1	
2	41121-93J06-0EP	BRACKET, CLAMP PORT (BLACK)	1	
3	41117-93J01	PLATE, CLAMP BRKT LOWER STBD	1	
4	41122-93J01	PLATE, CLAMP BRKT LOWER PORT	1	
5	09125-06063	SCREW (6X10)	4	
6	41130-93J12	SHAFT, CLAMP BRKT	1	
7	41135-93J11	WASHER, CLAMP BRACKET SHAFT	1	
8	09159-22006	NUT	1	
9	41153-93J00	CAP, TRANSOM BOLT	6	
10-1	09100-12092	BOLT (12X75)	1	OPT
10-2	09100-12086	BOLT (12X150)	6	
10-3	09100-12085	BOLT (12.7X115)	1	OPT
11	09159-12062	NUT	6	
12	09160-13017	WASHER (13.2X45X5)	4	
13	09160-13016	WASHER (13.2X26X3)	6	
14	41155-93J02	PLATE, TRANSOM	2	
15	55320-94900	ZINC SET, PROTECTION	1	
16	09116-06121	BOLT (6X25)	2	
17	45421-87D02	PIN, TILT LOCK	1	
18	09159-14020	NUT	2	
19	48140-93J01	CAM, TILT LIMIT SWITCH	1	
20	48144-93J00	HOLDER, TILT LIMIT SWITCH	1	
21	09103-06278	BOLT (6X25)	2	
22	55321-94910	ANODE (MAGNESIUM)	1	OPT
23	48145-93J00	COVER, TILT LIMIT SWITCH	1	
24	36894-87D00	LEAD (CLAMP TO SWIVEL)	1	
25	09125-06063	SCREW (6X10)	2	

FIG.189

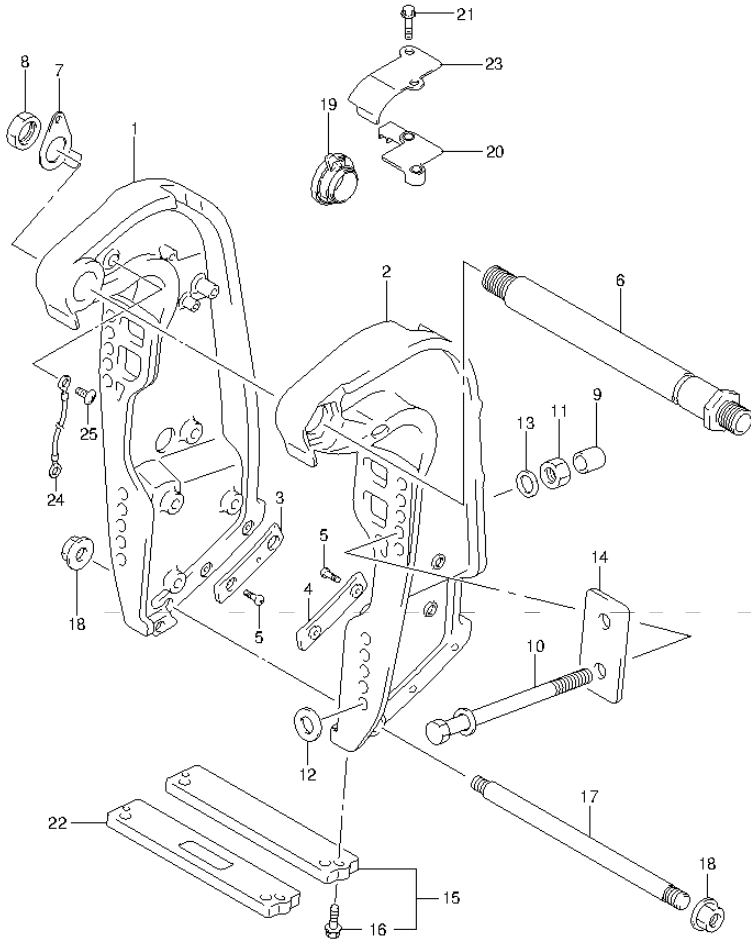


FIG.189 (2-K-7) CLAMP BRACKET TRANSOM(X,XX) (DF250T E1)

REF NO.	PART NO.	DESCRIPTION	Q'TY	REMARKS
1	41111-93J14-0EP	BRACKET, CLAMP STBD (BLACK)	1	
2	41121-93J06-0EP	BRACKET, CLAMP PORT (BLACK)	1	
3	41117-93J01	PLATE, CLAMP BRKT LOWER STBD	1	
4	41122-93J01	PLATE, CLAMP BRKT LOWER PORT	1	
5	09125-06063	SCREW (6X10)	4	
6	41130-93J12	SHAFT, CLAMP BRKT	1	
7	41135-93J11	WASHER, CLAMP BRACKET SHAFT	1	
8	09159-22006	NUT	1	
9	41153-93J00	CAP, TRANSOM BOLT	6	
10-1	09100-12092	BOLT (12X75)	1	OPT
10-2	09100-12086	BOLT (12X150)	6	
10-3	09100-12085	BOLT (12.7X115)	1	OPT
11	09159-12062	NUT	6	
12	09160-13017	WASHER (13.2X45X5)	4	
13	09160-13016	WASHER (13.2X26X3)	6	
14	41155-93J02	PLATE, TRANSOM	2	
15	55320-94900	ZINC SET, PROTECTION	1	
16	09116-06121	BOLT (6X25)	2	
17	45421-87D02	PIN, TILT LOCK	1	
18	09159-14020	NUT	2	
19	48140-93J01	CAM, TILT LIMIT SWITCH	1	
20	48144-93J00	HOLDER, TILT LIMIT SWITCH	1	
21	09103-06278	BOLT (6X25)	2	
22	55321-94910	ANODE (MAGNESIUM)	1	OPT
23	48145-93J00	COVER, TILT LIMIT SWITCH	1	
24	36894-87D00	LEAD (CLAMP TO SWIVEL)	1	
25	09125-06063	SCREW (6X10)	2	

FIG.190

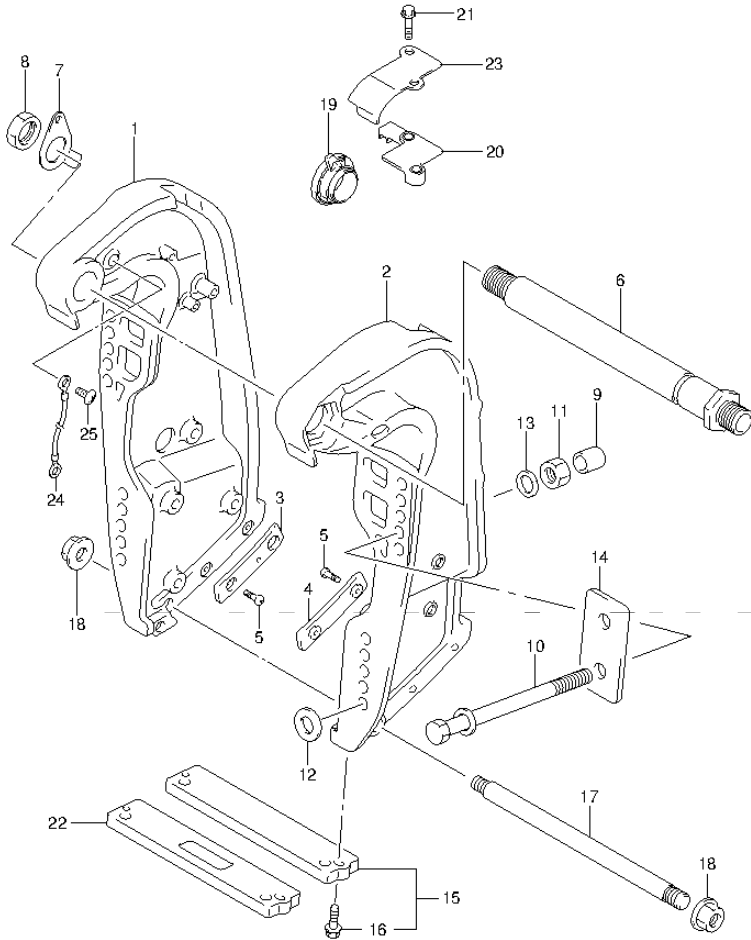


FIG.190 (2-K-8) CLAMP BRACKET TRANSOM(X,XX) (DF250T E40)

REF NO.	PART NO.	DESCRIPTION	Q'TY	REMARKS
1	41111-93J14-0EP	BRACKET, CLAMP STBD (BLACK)	1	
2	41121-93J06-0EP	BRACKET, CLAMP PORT (BLACK)	1	
3	41117-93J01	PLATE, CLAMP BRKT LOWER STBD	1	
4	41122-93J01	PLATE, CLAMP BRKT LOWER PORT	1	
5	09125-06063	SCREW (6X10)	4	
6	41130-93J12	SHAFT, CLAMP BRKT	1	
7	41135-93J11	WASHER, CLAMP BRACKET SHAFT	1	
8	09159-22006	NUT	1	
9	41153-93J00	CAP, TRANSOM BOLT	6	
10-1	09100-12092	BOLT (12X75)	1	OPT
10-2	09100-12086	BOLT (12X150)	6	
10-3	09100-12085	BOLT (12.7X115)	1	OPT
11	09159-12062	NUT	6	
12	09160-13017	WASHER (13.2X45X5)	4	
13	09160-13016	WASHER (13.2X26X3)	6	
14	41155-93J02	PLATE, TRANSOM	2	
15	55320-94900	ZINC SET, PROTECTION	1	
16	09116-06121	BOLT (6X25)	2	
17	45421-87D02	PIN, TILT LOCK	1	
18	09159-14020	NUT	2	
19	48140-93J01	CAM, TILT LIMIT SWITCH	1	
20	48144-93J00	HOLDER, TILT LIMIT SWITCH	1	
21	09103-06278	BOLT (6X25)	2	
22	55321-94910	ANODE (MAGNESIUM)	1	OPT
23	48145-93J00	COVER, TILT LIMIT SWITCH	1	
24	36894-87D00	LEAD (CLAMP TO SWIVEL)	1	
25	09125-06063	SCREW (6X10)	2	

FIG.191

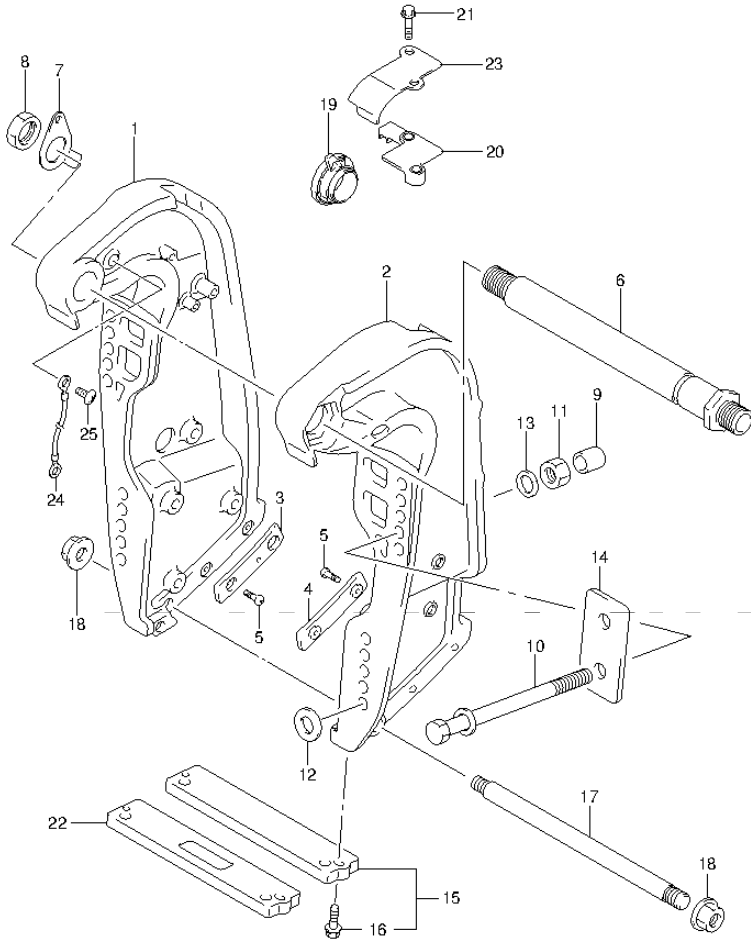


FIG.191 (2-K-9) CLAMP BRACKET TRANSOM(X,XX) (DF250Z E1)

REF NO.	PART NO.	DESCRIPTION	Q'TY	REMARKS
1	41111-93J14-0EP	BRACKET, CLAMP STBD (BLACK)	1	
2	41121-93J06-0EP	BRACKET, CLAMP PORT (BLACK)	1	
3	41117-93J01	PLATE, CLAMP BRKT LOWER STBD	1	
4	41122-93J01	PLATE, CLAMP BRKT LOWER PORT	1	
5	09125-06063	SCREW (6X10)	4	
6	41130-93J12	SHAFT, CLAMP BRKT	1	
7	41135-93J11	WASHER, CLAMP BRACKET SHAFT	1	
8	09159-22006	NUT	1	
9	41153-93J00	CAP, TRANSOM BOLT	6	
10-1	09100-12092	BOLT (12X75)	1	OPT
10-2	09100-12086	BOLT (12X150)	6	
10-3	09100-12085	BOLT (12.7X115)	1	OPT
11	09159-12062	NUT	6	
12	09160-13017	WASHER (13.2X45X5)	4	
13	09160-13016	WASHER (13.2X26X3)	6	
14	41155-93J02	PLATE, TRANSOM	2	
15	55320-94900	ZINC SET, PROTECTION	1	
16	09116-06121	BOLT (6X25)	2	
17	45421-87D02	PIN, TILT LOCK	1	
18	09159-14020	NUT	2	
19	48140-93J01	CAM, TILT LIMIT SWITCH	1	
20	48144-93J00	HOLDER, TILT LIMIT SWITCH	1	
21	09103-06278	BOLT (6X25)	2	
22	55321-94910	ANODE (MAGNESIUM)	1	OPT
23	48145-93J00	COVER, TILT LIMIT SWITCH	1	
24	36894-87D00	LEAD (CLAMP TO SWIVEL)	1	
25	09125-06063	SCREW (6X10)	2	

FIG.192

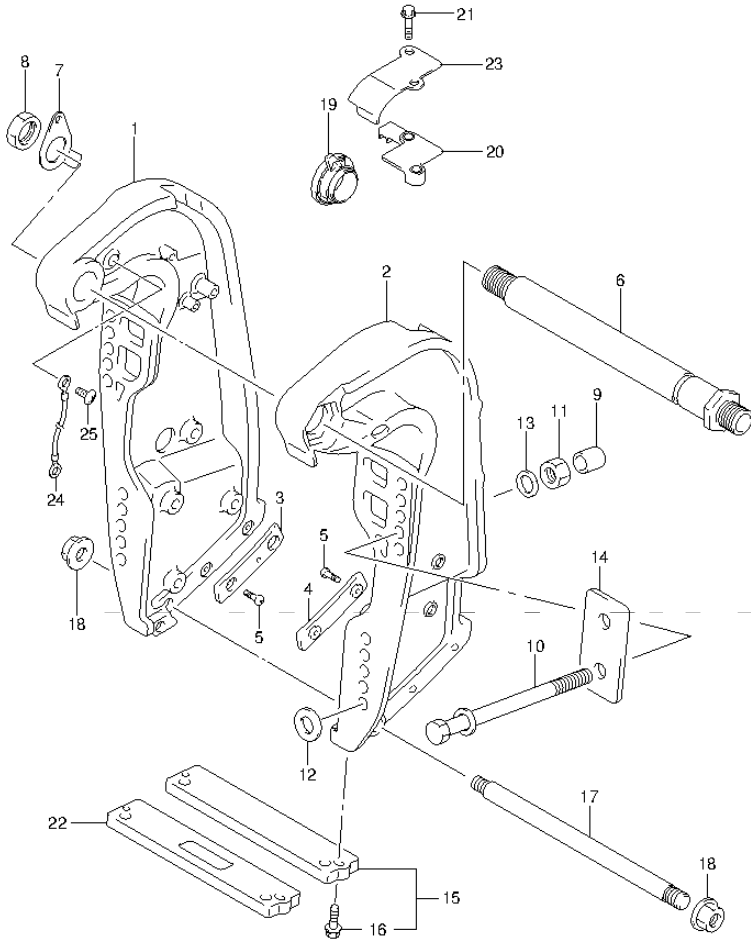


FIG.192 (2-K-10) CLAMP BRACKET TRANSOM(X,XX) (DF250Z E40)

REF NO.	PART NO.	DESCRIPTION	Q'TY	REMARKS
1	41111-93J14-0EP	BRACKET, CLAMP STBD (BLACK)	1	
2	41121-93J06-0EP	BRACKET, CLAMP PORT (BLACK)	1	
3	41117-93J01	PLATE, CLAMP BRKT LOWER STBD	1	
4	41122-93J01	PLATE, CLAMP BRKT LOWER PORT	1	
5	09125-06063	SCREW (6X10)	4	
6	41130-93J12	SHAFT, CLAMP BRKT	1	
7	41135-93J11	WASHER, CLAMP BRACKET SHAFT	1	
8	09159-22006	NUT	1	
9	41153-93J00	CAP, TRANSOM BOLT	6	
10-1	09100-12092	BOLT (12X75)	1	OPT
10-2	09100-12086	BOLT (12X150)	6	
10-3	09100-12085	BOLT (12.7X115)	1	OPT
11	09159-12062	NUT	6	
12	09160-13017	WASHER (13.2X45X5)	4	
13	09160-13016	WASHER (13.2X26X3)	6	
14	41155-93J02	PLATE, TRANSOM	2	
15	55320-94900	ZINC SET, PROTECTION	1	
16	09116-06121	BOLT (6X25)	2	
17	45421-87D02	PIN, TILT LOCK	1	
18	09159-14020	NUT	2	
19	48140-93J01	CAM, TILT LIMIT SWITCH	1	
20	48144-93J00	HOLDER, TILT LIMIT SWITCH	1	
21	09103-06278	BOLT (6X25)	2	
22	55321-94910	ANODE (MAGNESIUM)	1	OPT
23	48145-93J00	COVER, TILT LIMIT SWITCH	1	
24	36894-87D00	LEAD (CLAMP TO SWIVEL)	1	
25	09125-06063	SCREW (6X10)	2	

FIG.193

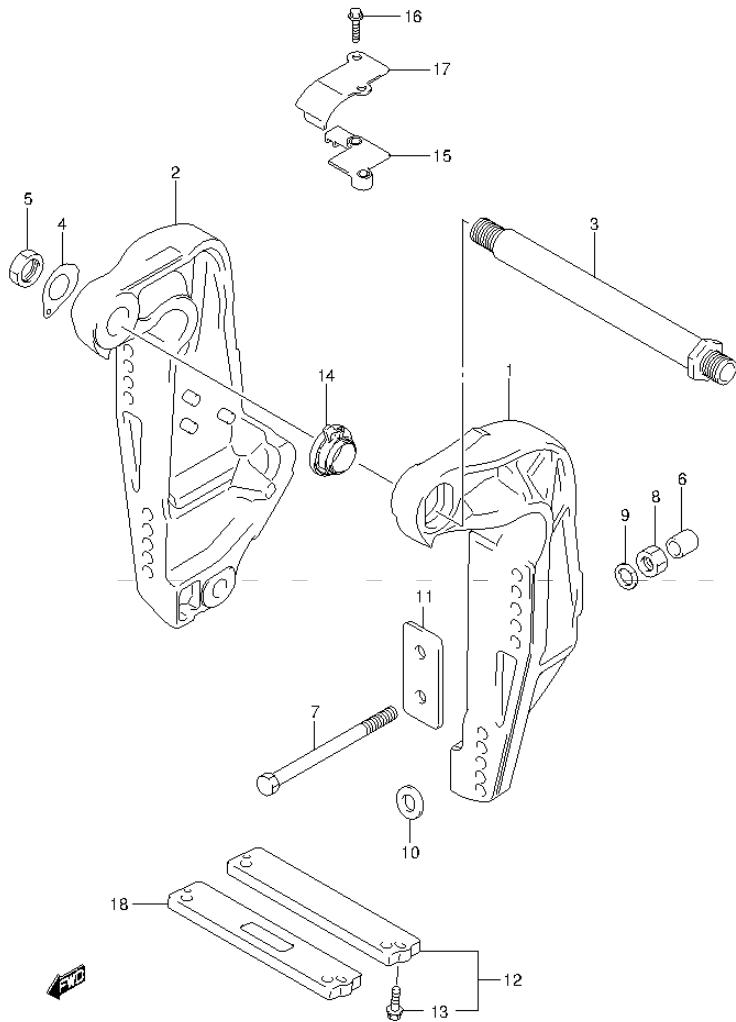


FIG.193 (2-K-11) CLAMP BRACKET TRANSOM(L) (DF200T E1)

REF NO.	PART NO.	DESCRIPTION	Q'TY	REMARKS
1	41111-96J21-0EP	BRACKET, CLAMP STBD (BLACK)	1	
2	41121-96J11-0EP	BRACKET, CLAMP PORT (BLACK)	1	
3	41130-92J03	SHAFT, CLAMP BRKT	1	
4	41135-92J00	WASHER, CLAMP BRACKET SHAFT	1	
5	09159-22006	NUT	1	
6	41153-93J00	CAP, TRANSOM BOLT	6	
7-1	09100-12086	BOLT (12X150)	6	
7-2	09100-12085	BOLT (12.7X115)	1	OPT
7-3	09100-12092	BOLT (12X75)	1	OPT
8	09159-12062	NUT	6	
9	09160-13016	WASHER (13.2X26X3)	6	
10	09160-13017	WASHER (13.2X45X5)	4	
11	41155-93J02	PLATE, TRANSOM	2	
12	55320-94900	ZINC SET, PROTECTION	1	
13	09116-06121	BOLT (6X25)	2	
14	48140-93J01	CAM, TILT LIMIT SWITCH	1	
15	48144-93J00	HOLDER, TILT LIMIT SWITCH	1	
16	09103-06278	BOLT (6X25)	2	
17	48145-93J00	COVER, TILT LIMIT SWITCH	1	
18	55321-94910	ANODE (MAGNESIUM)	1	OPT

FIG.194

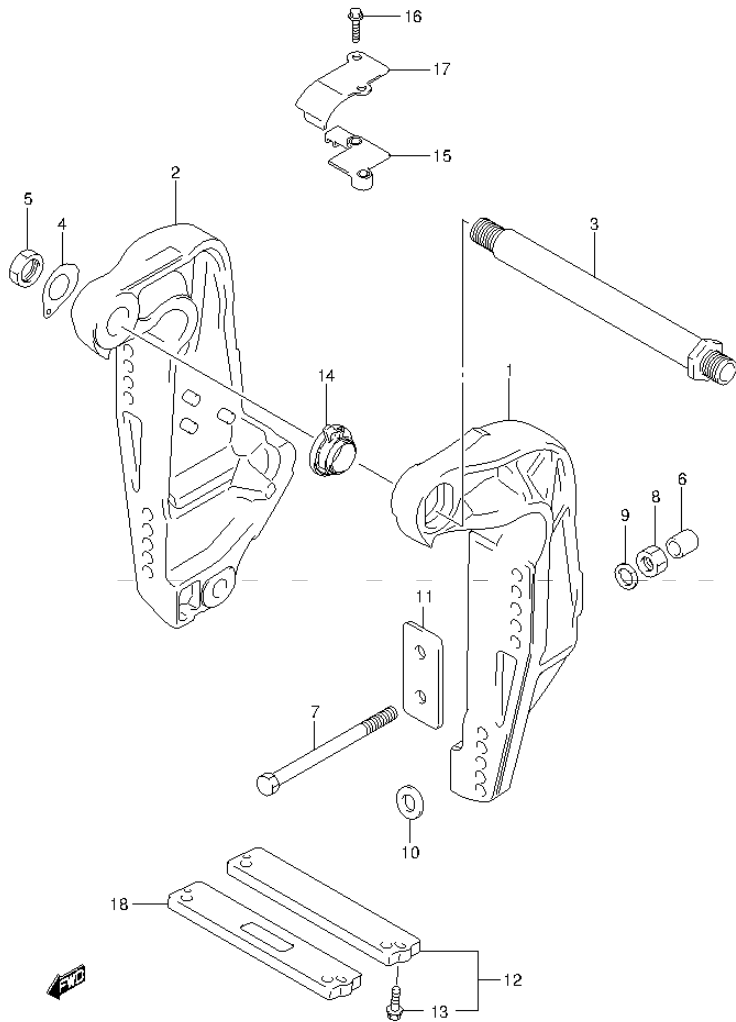


FIG.194 (2-K-12) CLAMP BRACKET TRANSOM(L) (DF200T E40)

REF NO.	PART NO.	DESCRIPTION	Q'TY	REMARKS
1	41111-96J21-0EP	BRACKET, CLAMP STBD (BLACK)	1	
2	41121-96J11-0EP	BRACKET, CLAMP PORT (BLACK)	1	
3	41130-92J03	SHAFT, CLAMP BRKT	1	
4	41135-92J00	WASHER, CLAMP BRACKET SHAFT	1	
5	09159-22006	NUT	1	
6	41153-93J00	CAP, TRANSOM BOLT	6	
7-1	09100-12086	BOLT (12X150)	6	
7-2	09100-12085	BOLT (12.7X115)	1	OPT
7-3	09100-12092	BOLT (12X75)	1	OPT
8	09159-12062	NUT	6	
9	09160-13016	WASHER (13.2X26X3)	6	
10	09160-13017	WASHER (13.2X45X5)	4	
11	41155-93J02	PLATE, TRANSOM	2	
12	55320-94900	ZINC SET, PROTECTION	1	
13	09116-06121	BOLT (6X25)	2	
14	48140-93J01	CAM, TILT LIMIT SWITCH	1	
15	48144-93J00	HOLDER, TILT LIMIT SWITCH	1	
16	09103-06278	BOLT (6X25)	2	
17	48145-93J00	COVER, TILT LIMIT SWITCH	1	
18	55321-94910	ANODE (MAGNESIUM)	1	OPT

FIG.195

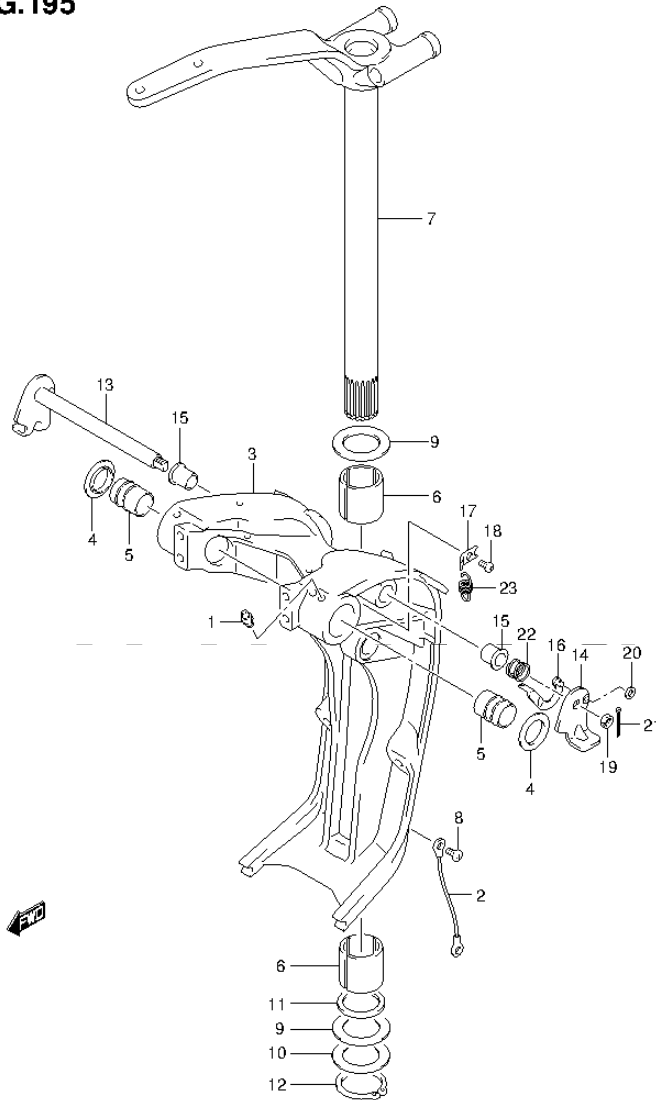


FIG.195 (2-K-13) SWIVEL BRACKET TRANSOM(X,XX) (DF200T E1)

REF NO.	PART NO.	DESCRIPTION	Q'TY	REMARKS
1	22511-99011	NIPPLE, GREASE SWIVEL BRKT	4	
2	36894-87D00	LEAD (SWIVEL TO MOUNT BRKT)	1	
3	43111-93J23-0EP	BRACKET, SWIVEL (UL) (BLACK)	1	
4	43114-93J00	WASHER, SWIVEL TO CLAMP BRKT	2	
5	43211-93J00	BUSH, CLAMP SHAFT SWIVEL	2	
6	43711-97E00	BUSH, STEERING	2	
7	43750-93J02-0EP	BRACKET, STEERING (UL) (BLACK)	1	
8	09125-06063	SCREW (6X10)	1	
9	09160-39001	WASHER (39.5X64X1)	2	
10	09181-39001	SHIM (39.5X64X0.3)	4	
11	09282-39001	OIL SEAL (39X51X5)	1	
12	09380-38003	CIRCLIP	1	
13	41220-93J11	LEVER, TILT LOCK	1	
14	41234-93J11	LEVER, TILT LOCK PORT	1	
15	41224-95E01	BUSH, TILT STOPPER ROD	2	
16	41230-96J00	LINK, TILT LOCK LEVER	1	
17	41233-95E10	BRACKET, TILT LOCK SPRING	1	
18	09125-06063	SCREW (6X10)	1	
19	09140-10032	NUT	1	
20	09160-06082	WASHER (6.5X13X1.0)	1	
21	09204-01006	PIN	1	
22	09440-19028	SPRING	1	
23	09443-10043	SPRING	1	

FIG.196

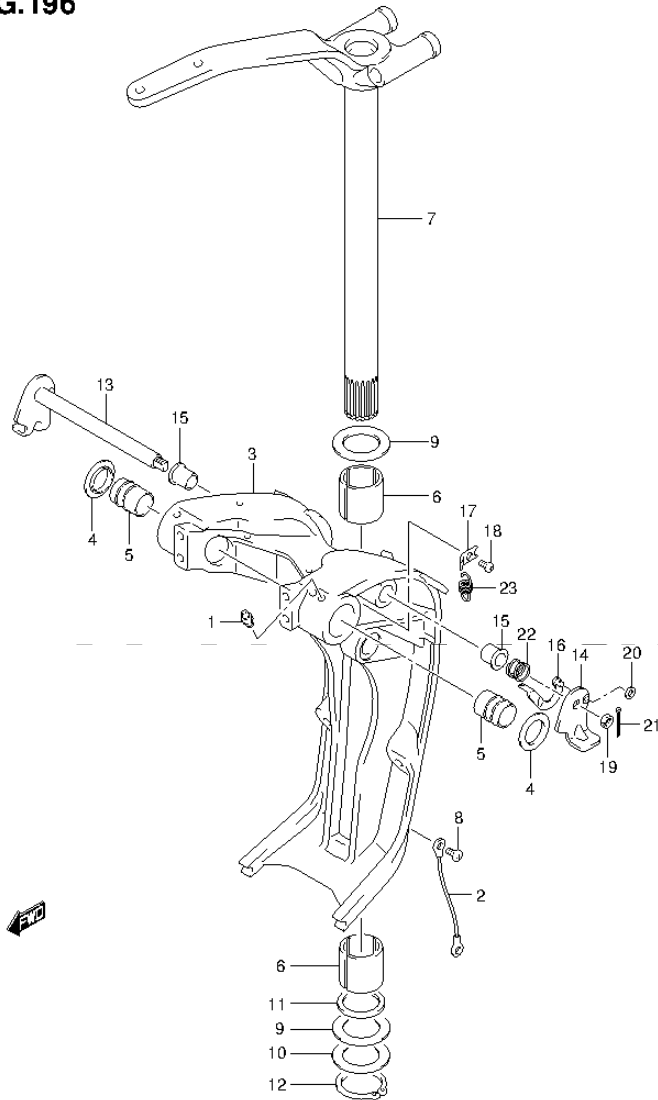


FIG.196 (2-K-14) SWIVEL BRACKET TRANSOM(X) (DF200T E40)

REF NO.	PART NO.	DESCRIPTION	Q'TY	REMARKS
1	22511-99011	NIPPLE, GREASE SWIVEL BRKT	4	
2	36894-87D00	LEAD (SWIVEL TO MOUNT BRKT)	1	
3	43111-93J23-0EP	BRACKET, SWIVEL (UL) (BLACK)	1	
4	43114-93J00	WASHER, SWIVEL TO CLAMP BRKT	2	
5	43211-93J00	BUSH, CLAMP SHAFT SWIVEL	2	
6	43711-97E00	BUSH, STEERING	2	
7	43750-93J02-0EP	BRACKET, STEERING (UL) (BLACK)	1	
8	09125-06063	SCREW (6X10)	1	
9	09160-39001	WASHER (39.5X64X1)	2	
10	09181-39001	SHIM (39.5X64X0.3)	4	
11	09282-39001	OIL SEAL (39X51X5)	1	
12	09380-38003	CIRCLIP	1	
13	41220-93J11	LEVER, TILT LOCK	1	
14	41234-93J11	LEVER, TILT LOCK PORT	1	
15	41224-95E01	BUSH, TILT STOPPER ROD	2	
16	41230-96J00	LINK, TILT LOCK LEVER	1	
17	41233-95E10	BRACKET, TILT LOCK SPRING	1	
18	09125-06063	SCREW (6X10)	1	
19	09140-10032	NUT	1	
20	09160-06082	WASHER (6.5X13X1.0)	1	
21	09204-01006	PIN	1	
22	09440-19028	SPRING	1	
23	09443-10043	SPRING	1	

FIG.197

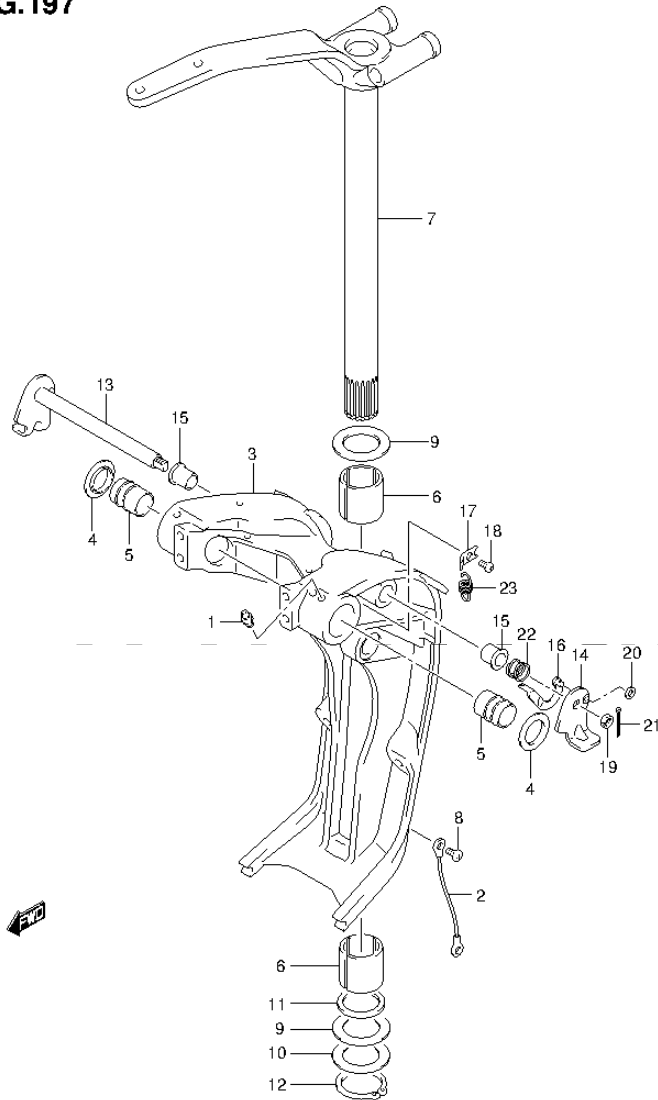


FIG.197 (2-K-15) SWIVEL BRACKET TRANSOM(X,XX) (DF200Z E1)

REF NO.	PART NO.	DESCRIPTION	Q'TY	REMARKS
1	22511-99011	NIPPLE, GREASE SWIVEL BRKT	4	
2	36894-87D00	LEAD (SWIVEL TO MOUNT BRKT)	1	
3	43111-93J23-0EP	BRACKET, SWIVEL (UL) (BLACK)	1	
4	43114-93J00	WASHER, SWIVEL TO CLAMP BRKT	2	
5	43211-93J00	BUSH, CLAMP SHAFT SWIVEL	2	
6	43711-97E00	BUSH, STEERING	2	
7	43750-93J02-0EP	BRACKET, STEERING (UL) (BLACK)	1	
8	09125-06063	SCREW (6X10)	1	
9	09160-39001	WASHER (39.5X64X1)	2	
10	09181-39001	SHIM (39.5X64X0.3)	4	
11	09282-39001	OIL SEAL (39X51X5)	1	
12	09380-38003	CIRCLIP	1	
13	41220-93J11	LEVER, TILT LOCK	1	
14	41234-93J11	LEVER, TILT LOCK PORT	1	
15	41224-95E01	BUSH, TILT STOPPER ROD	2	
16	41230-96J00	LINK, TILT LOCK LEVER	1	
17	41233-95E10	BRACKET, TILT LOCK SPRING	1	
18	09125-06063	SCREW (6X10)	1	
19	09140-10032	NUT	1	
20	09160-06082	WASHER (6.5X13X1.0)	1	
21	09204-01006	PIN	1	
22	09440-19028	SPRING	1	
23	09443-10043	SPRING	1	

FIG.198

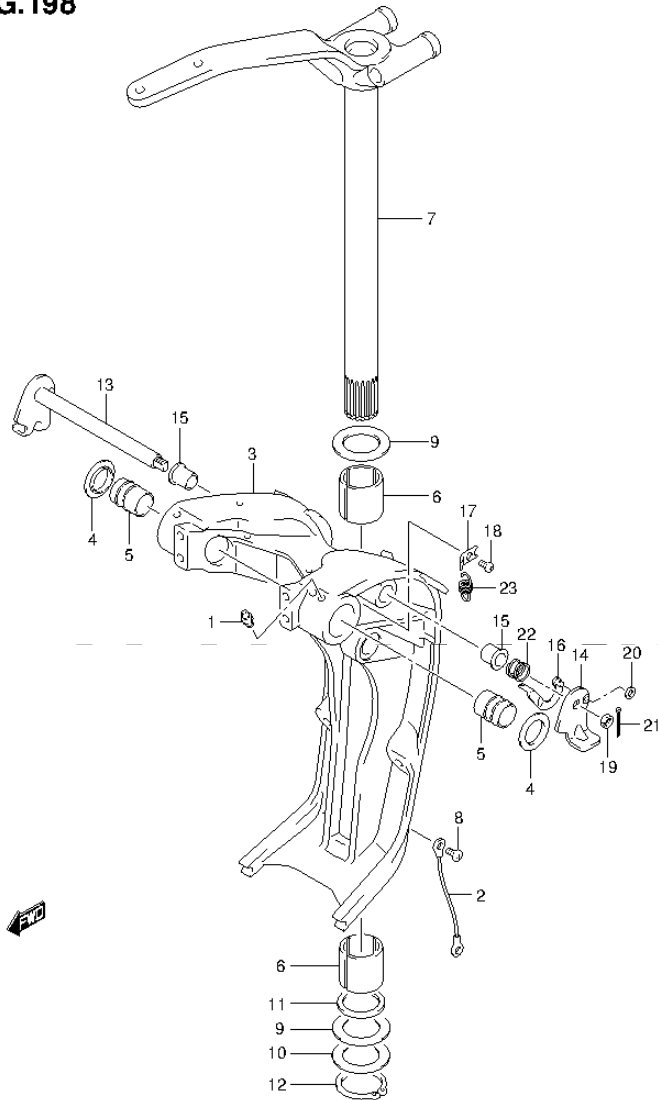


FIG.198 (2-L-2) SWIVEL BRACKET TRANSOM(X) (DF200Z E40)

REF NO.	PART NO.	DESCRIPTION	Q'TY	REMARKS
1	22511-99011	NIPPLE, GREASE SWIVEL BRKT	4	
2	36894-87D00	LEAD (SWIVEL TO MOUNT BRKT)	1	
3	43111-93J23-0EP	BRACKET, SWIVEL (UL) (BLACK)	1	
4	43114-93J00	WASHER, SWIVEL TO CLAMP BRKT	2	
5	43211-93J00	BUSH, CLAMP SHAFT SWIVEL	2	
6	43711-97E00	BUSH, STEERING	2	
7	43750-93J02-0EP	BRACKET, STEERING (UL) (BLACK)	1	
8	09125-06063	SCREW (6X10)	1	
9	09160-39001	WASHER (39.5X64X1)	2	
10	09181-39001	SHIM (39.5X64X0.3)	4	
11	09282-39001	OIL SEAL (39X51X5)	1	
12	09380-38003	CIRCLIP	1	
13	41220-93J11	LEVER, TILT LOCK	1	
14	41234-93J11	LEVER, TILT LOCK PORT	1	
15	41224-95E01	BUSH, TILT STOPPER ROD	2	
16	41230-96J00	LINK, TILT LOCK LEVER	1	
17	41233-95E10	BRACKET, TILT LOCK SPRING	1	
18	09125-06063	SCREW (6X10)	1	
19	09140-10032	NUT	1	
20	09160-06082	WASHER (6.5X13X1.0)	1	
21	09204-01006	PIN	1	
22	09440-19028	SPRING	1	
23	09443-10043	SPRING	1	

FIG.199

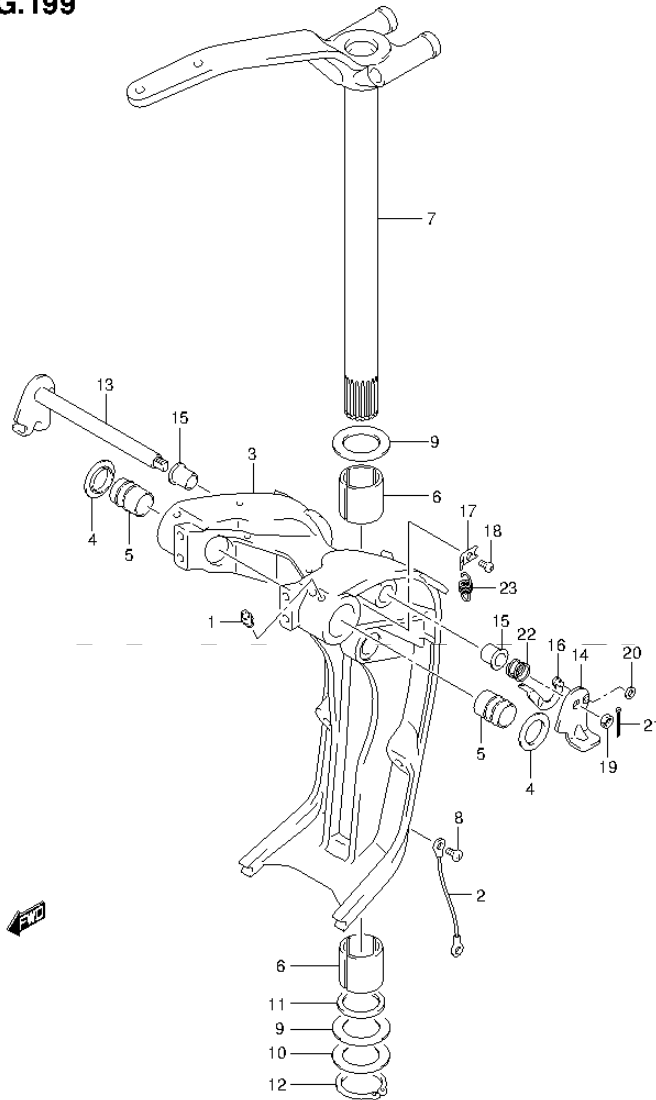


FIG.199 (2-L-3) SWIVEL BRACKET TRANSOM(X,XX) (DF225T E1)

REF NO.	PART NO.	DESCRIPTION	Q'TY	REMARKS
1	22511-99011	NIPPLE, GREASE SWIVEL BRKT	4	
2	36894-87D00	LEAD (SWIVEL TO MOUNT BRKT)	1	
3	43111-93J23-0EP	BRACKET, SWIVEL (UL) (BLACK)	1	
4	43114-93J00	WASHER, SWIVEL TO CLAMP BRKT	2	
5	43211-93J00	BUSH, CLAMP SHAFT SWIVEL	2	
6	43711-97E00	BUSH, STEERING	2	
7	43750-93J02-0EP	BRACKET, STEERING (UL) (BLACK)	1	
8	09125-06063	SCREW (6X10)	1	
9	09160-39001	WASHER (39.5X64X1)	2	
10	09181-39001	SHIM (39.5X64X0.3)	4	
11	09282-39001	OIL SEAL (39X51X5)	1	
12	09380-38003	CIRCLIP	1	
13	41220-93J11	LEVER, TILT LOCK	1	
14	41234-93J11	LEVER, TILT LOCK PORT	1	
15	41224-95E01	BUSH, TILT STOPPER ROD	2	
16	41230-96J00	LINK, TILT LOCK LEVER	1	
17	41233-95E10	BRACKET, TILT LOCK SPRING	1	
18	09125-06063	SCREW (6X10)	1	
19	09140-10032	NUT	1	
20	09160-06082	WASHER (6.5X13X1.0)	1	
21	09204-01006	PIN	1	
22	09440-19028	SPRING	1	
23	09443-10043	SPRING	1	

FIG.200

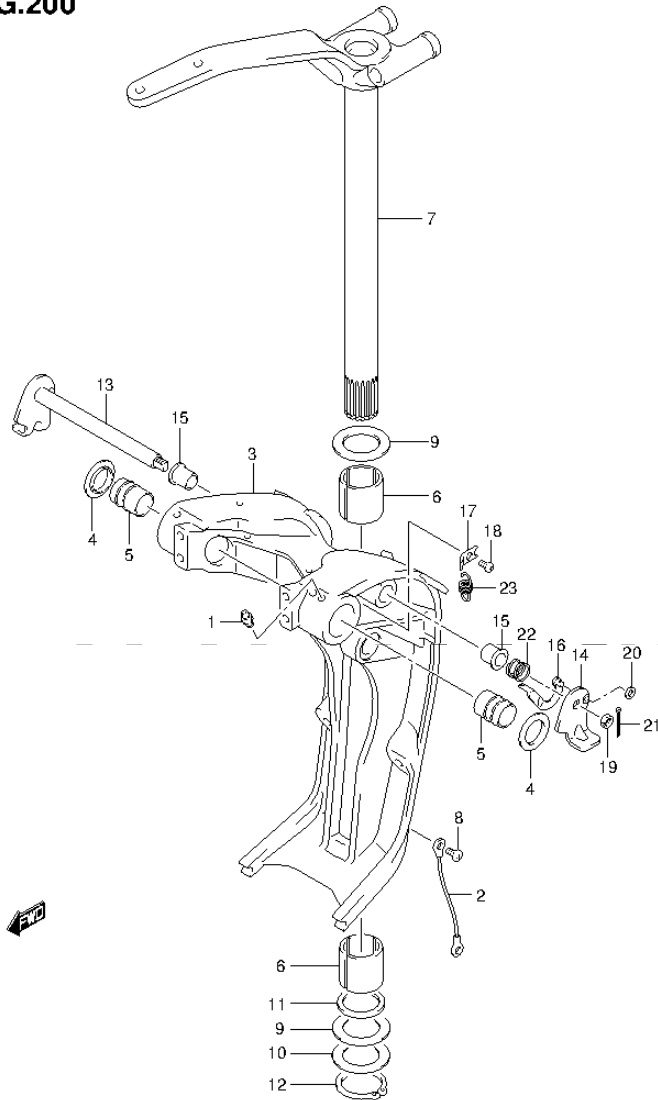


FIG.200 (2-L-4) SWIVEL BRACKET TRANSOM(X,XX) (DF225T E40)

REF NO.	PART NO.	DESCRIPTION	Q'TY	REMARKS
1	22511-99011	NIPPLE, GREASE SWIVEL BRKT	4	
2	36894-87D00	LEAD (SWIVEL TO MOUNT BRKT)	1	
3	43111-93J23-0EP	BRACKET, SWIVEL (UL) (BLACK)	1	
4	43114-93J00	WASHER, SWIVEL TO CLAMP BRKT	2	
5	43211-93J00	BUSH, CLAMP SHAFT SWIVEL	2	
6	43711-97E00	BUSH, STEERING	2	
7	43750-93J02-0EP	BRACKET, STEERING (UL) (BLACK)	1	
8	09125-06063	SCREW (6X10)	1	
9	09160-39001	WASHER (39.5X64X1)	2	
10	09181-39001	SHIM (39.5X64X0.3)	4	
11	09282-39001	OIL SEAL (39X51X5)	1	
12	09380-38003	CIRCLIP	1	
13	41220-93J11	LEVER, TILT LOCK	1	
14	41234-93J11	LEVER, TILT LOCK PORT	1	
15	41224-95E01	BUSH, TILT STOPPER ROD	2	
16	41230-96J00	LINK, TILT LOCK LEVER	1	
17	41233-95E10	BRACKET, TILT LOCK SPRING	1	
18	09125-06063	SCREW (6X10)	1	
19	09140-10032	NUT	1	
20	09160-06082	WASHER (6.5X13X1.0)	1	
21	09204-01006	PIN	1	
22	09440-19028	SPRING	1	
23	09443-10043	SPRING	1	

FIG.201

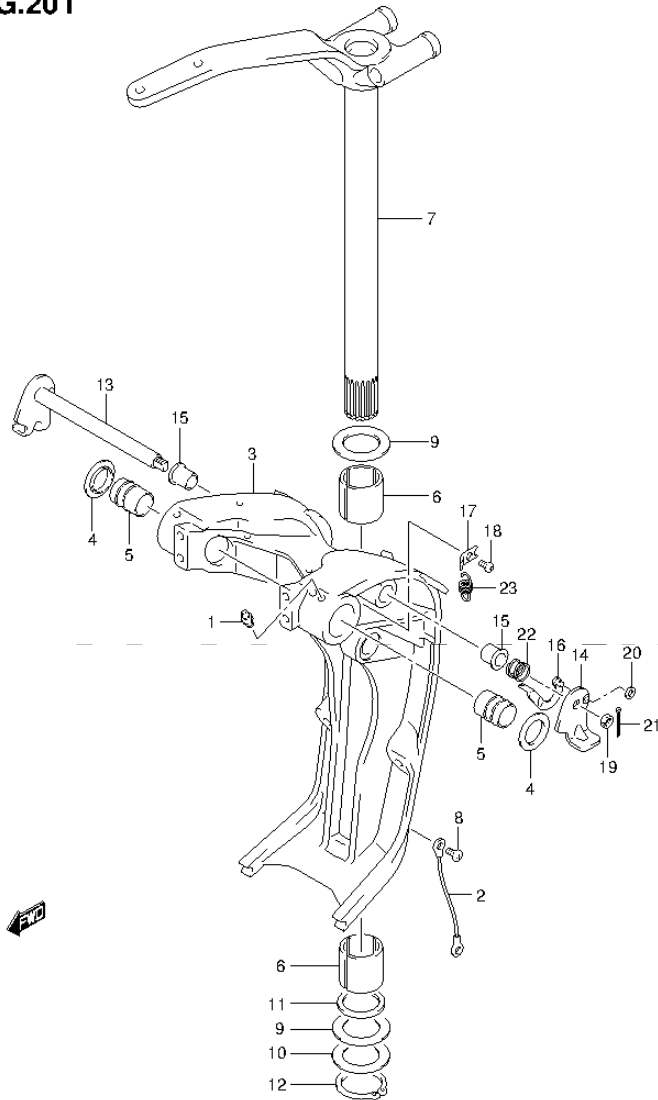


FIG.201 (2-L-5) SWIVEL BRACKET TRANSOM(X,XX) (DF225Z E1)

REF NO.	PART NO.	DESCRIPTION	Q'TY	REMARKS
1	22511-99011	NIPPLE, GREASE SWIVEL BRKT	4	
2	36894-87D00	LEAD (SWIVEL TO MOUNT BRKT)	1	
3	43111-93J23-0EP	BRACKET, SWIVEL (UL) (BLACK)	1	
4	43114-93J00	WASHER, SWIVEL TO CLAMP BRKT	2	
5	43211-93J00	BUSH, CLAMP SHAFT SWIVEL	2	
6	43711-97E00	BUSH, STEERING	2	
7	43750-93J02-0EP	BRACKET, STEERING (UL) (BLACK)	1	
8	09125-06063	SCREW (6X10)	1	
9	09160-39001	WASHER (39.5X64X1)	2	
10	09181-39001	SHIM (39.5X64X0.3)	4	
11	09282-39001	OIL SEAL (39X51X5)	1	
12	09380-38003	CIRCLIP	1	
13	41220-93J11	LEVER, TILT LOCK	1	
14	41234-93J11	LEVER, TILT LOCK PORT	1	
15	41224-95E01	BUSH, TILT STOPPER ROD	2	
16	41230-96J00	LINK, TILT LOCK LEVER	1	
17	41233-95E10	BRACKET, TILT LOCK SPRING	1	
18	09125-06063	SCREW (6X10)	1	
19	09140-10032	NUT	1	
20	09160-06082	WASHER (6.5X13X1.0)	1	
21	09204-01006	PIN	1	
22	09440-19028	SPRING	1	
23	09443-10043	SPRING	1	

FIG.202

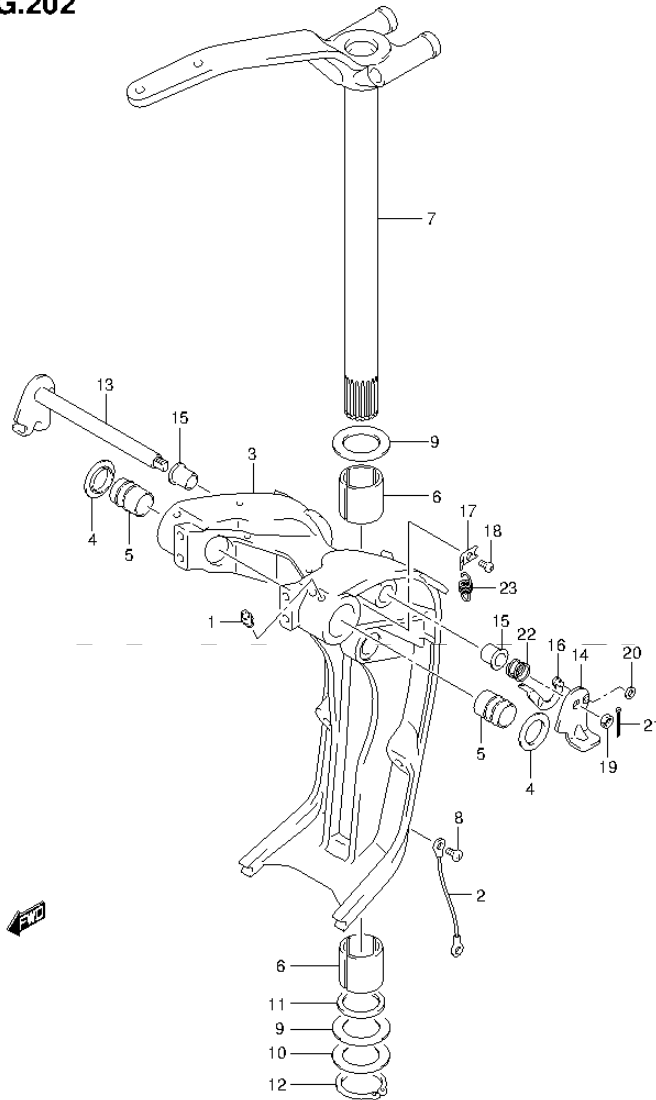


FIG.202 (2-L-6) SWIVEL BRACKET TRANSOM(X,XX) (DF225Z E40)

REF NO.	PART NO.	DESCRIPTION	Q'TY	REMARKS
1	22511-99011	NIPPLE, GREASE SWIVEL BRKT	4	
2	36894-87D00	LEAD (SWIVEL TO MOUNT BRKT)	1	
3	43111-93J23-0EP	BRACKET, SWIVEL (UL) (BLACK)	1	
4	43114-93J00	WASHER, SWIVEL TO CLAMP BRKT	2	
5	43211-93J00	BUSH, CLAMP SHAFT SWIVEL	2	
6	43711-97E00	BUSH, STEERING	2	
7	43750-93J02-0EP	BRACKET, STEERING (UL) (BLACK)	1	
8	09125-06063	SCREW (6X10)	1	
9	09160-39001	WASHER (39.5X64X1)	2	
10	09181-39001	SHIM (39.5X64X0.3)	4	
11	09282-39001	OIL SEAL (39X51X5)	1	
12	09380-38003	CIRCLIP	1	
13	41220-93J11	LEVER, TILT LOCK	1	
14	41234-93J11	LEVER, TILT LOCK PORT	1	
15	41224-95E01	BUSH, TILT STOPPER ROD	2	
16	41230-96J00	LINK, TILT LOCK LEVER	1	
17	41233-95E10	BRACKET, TILT LOCK SPRING	1	
18	09125-06063	SCREW (6X10)	1	
19	09140-10032	NUT	1	
20	09160-06082	WASHER (6.5X13X1.0)	1	
21	09204-01006	PIN	1	
22	09440-19028	SPRING	1	
23	09443-10043	SPRING	1	

FIG.203

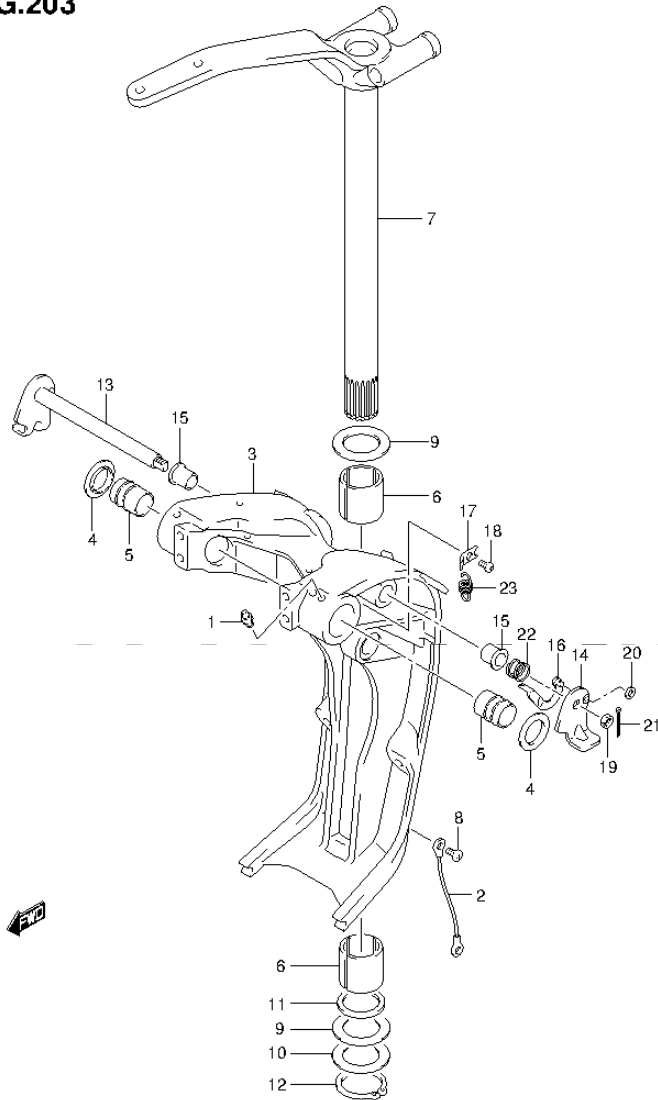


FIG.203 (2-L-7) SWIVEL BRACKET TRANSOM(X,XX) (DF250T E1)

REF NO.	PART NO.	DESCRIPTION	Q'TY	REMARKS
1	22511-99011	NIPPLE, GREASE SWIVEL BRKT	4	
2	36894-87D00	LEAD (SWIVEL TO MOUNT BRKT)	1	
3	43111-93J23-0EP	BRACKET, SWIVEL (UL) (BLACK)	1	
4	43114-93J00	WASHER, SWIVEL TO CLAMP BRKT	2	
5	43211-93J00	BUSH, CLAMP SHAFT SWIVEL	2	
6	43711-97E00	BUSH, STEERING	2	
7	43750-93J02-0EP	BRACKET, STEERING (UL) (BLACK)	1	
8	09125-06063	SCREW (6X10)	1	
9	09160-39001	WASHER (39.5X64X1)	2	
10	09181-39001	SHIM (39.5X64X0.3)	4	
11	09282-39001	OIL SEAL (39X51X5)	1	
12	09380-38003	CIRCLIP	1	
13	41220-93J11	LEVER, TILT LOCK	1	
14	41234-93J11	LEVER, TILT LOCK PORT	1	
15	41224-95E01	BUSH, TILT STOPPER ROD	2	
16	41230-96J00	LINK, TILT LOCK LEVER	1	
17	41233-95E10	BRACKET, TILT LOCK SPRING	1	
18	09125-06063	SCREW (6X10)	1	
19	09140-10032	NUT	1	
20	09160-06082	WASHER (6.5X13X1.0)	1	
21	09204-01006	PIN	1	
22	09440-19028	SPRING	1	
23	09443-10043	SPRING	1	

FIG.204

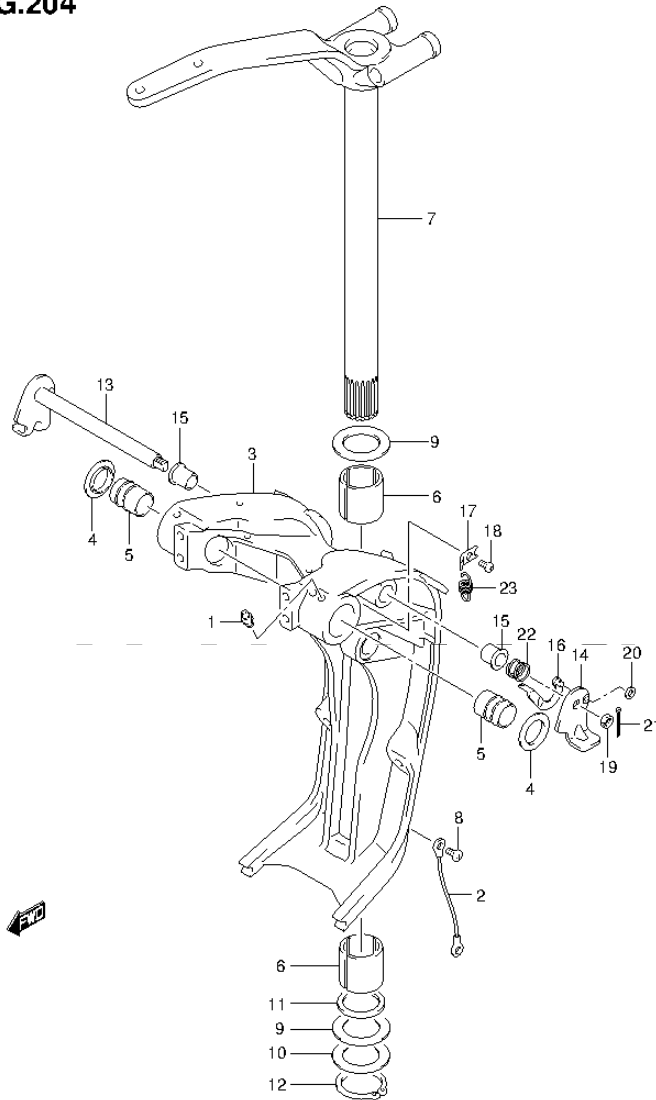


FIG.204 (2-L-8) SWIVEL BRACKET TRANSOM(X,XX) (DF250T E40)

REF NO.	PART NO.	DESCRIPTION	Q'TY	REMARKS
1	22511-99011	NIPPLE, GREASE SWIVEL BRKT	4	
2	36894-87D00	LEAD (SWIVEL TO MOUNT BRKT)	1	
3	43111-93J23-0EP	BRACKET, SWIVEL (UL) (BLACK)	1	
4	43114-93J00	WASHER, SWIVEL TO CLAMP BRKT	2	
5	43211-93J00	BUSH, CLAMP SHAFT SWIVEL	2	
6	43711-97E00	BUSH, STEERING	2	
7	43750-93J02-0EP	BRACKET, STEERING (UL) (BLACK)	1	
8	09125-06063	SCREW (6X10)	1	
9	09160-39001	WASHER (39.5X64X1)	2	
10	09181-39001	SHIM (39.5X64X0.3)	4	
11	09282-39001	OIL SEAL (39X51X5)	1	
12	09380-38003	CIRCLIP	1	
13	41220-93J11	LEVER, TILT LOCK	1	
14	41234-93J11	LEVER, TILT LOCK PORT	1	
15	41224-95E01	BUSH, TILT STOPPER ROD	2	
16	41230-96J00	LINK, TILT LOCK LEVER	1	
17	41233-95E10	BRACKET, TILT LOCK SPRING	1	
18	09125-06063	SCREW (6X10)	1	
19	09140-10032	NUT	1	
20	09160-06082	WASHER (6.5X13X1.0)	1	
21	09204-01006	PIN	1	
22	09440-19028	SPRING	1	
23	09443-10043	SPRING	1	

FIG.205

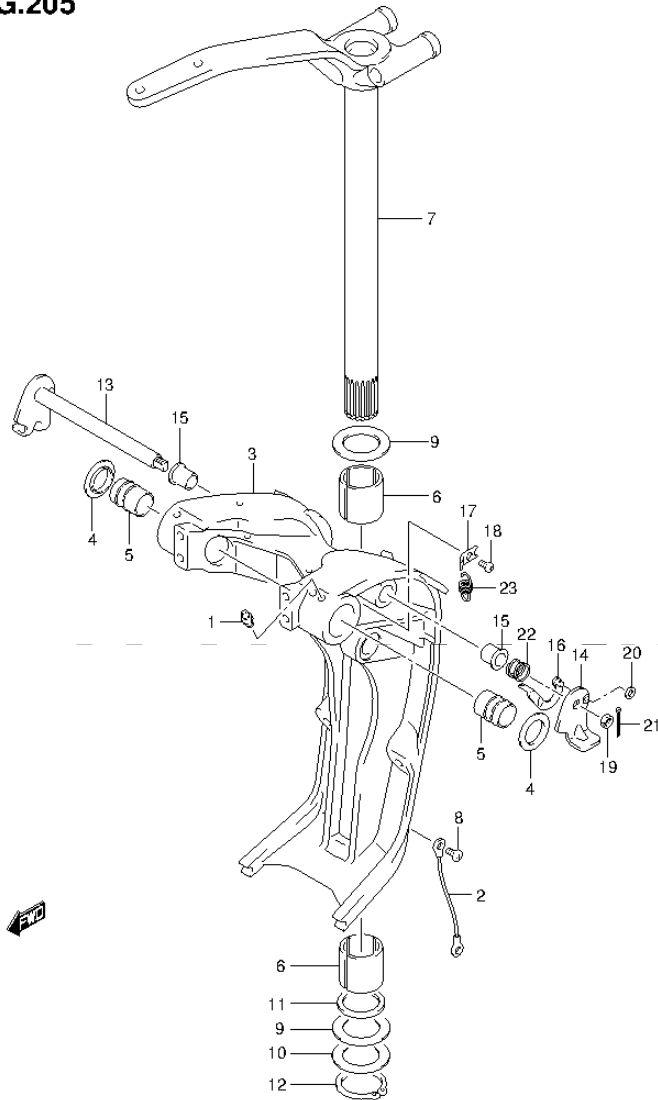


FIG.205 (2-L-9) SWIVEL BRACKET TRANSOM(X,XX) (DF250Z E1)

REF NO.	PART NO.	DESCRIPTION	Q'TY	REMARKS
1	22511-99011	NIPPLE, GREASE SWIVEL BRKT	4	
2	36894-87D00	LEAD (SWIVEL TO MOUNT BRKT)	1	
3	43111-93J23-0EP	BRACKET, SWIVEL (UL) (BLACK)	1	
4	43114-93J00	WASHER, SWIVEL TO CLAMP BRKT	2	
5	43211-93J00	BUSH, CLAMP SHAFT SWIVEL	2	
6	43711-97E00	BUSH, STEERING	2	
7	43750-93J02-0EP	BRACKET, STEERING (UL) (BLACK)	1	
8	09125-06063	SCREW (6X10)	1	
9	09160-39001	WASHER (39.5X64X1)	2	
10	09181-39001	SHIM (39.5X64X0.3)	4	
11	09282-39001	OIL SEAL (39X51X5)	1	
12	09380-38003	CIRCLIP	1	
13	41220-93J11	LEVER, TILT LOCK	1	
14	41234-93J11	LEVER, TILT LOCK PORT	1	
15	41224-95E01	BUSH, TILT STOPPER ROD	2	
16	41230-96J00	LINK, TILT LOCK LEVER	1	
17	41233-95E10	BRACKET, TILT LOCK SPRING	1	
18	09125-06063	SCREW (6X10)	1	
19	09140-10032	NUT	1	
20	09160-06082	WASHER (6.5X13X1.0)	1	
21	09204-01006	PIN	1	
22	09440-19028	SPRING	1	
23	09443-10043	SPRING	1	

FIG.206

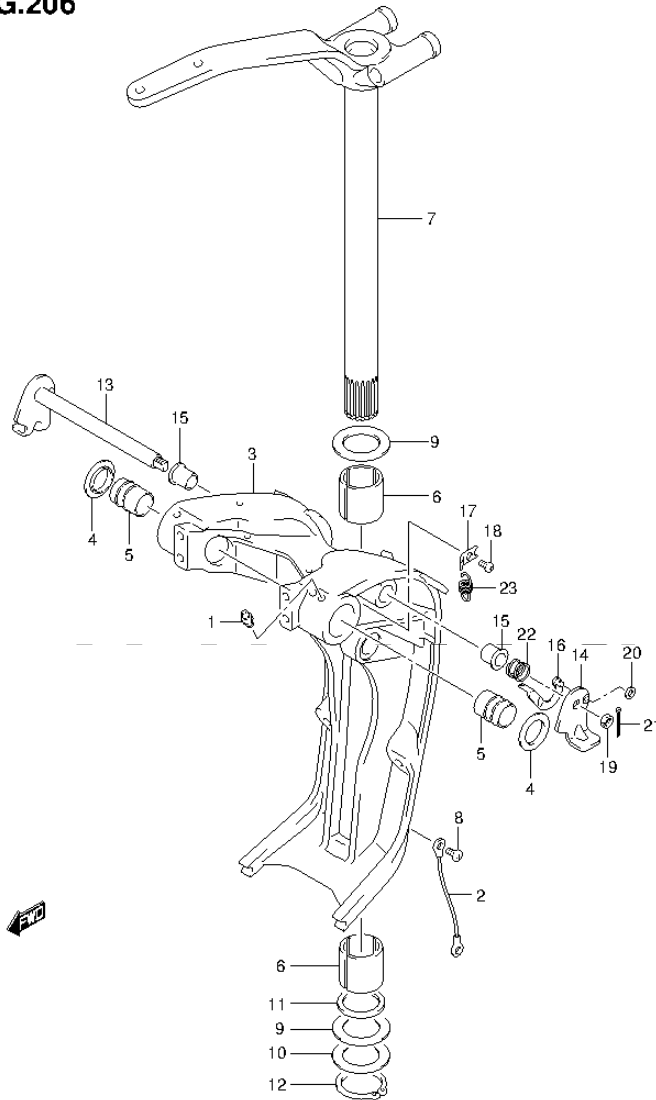
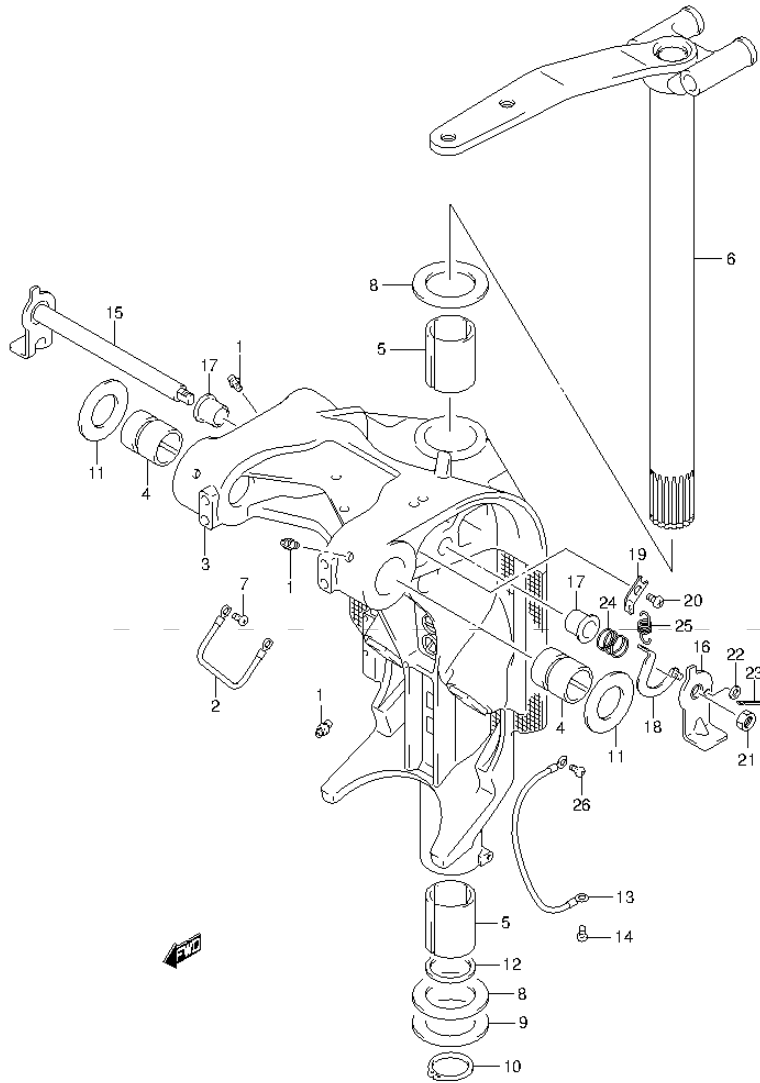


FIG.206 (2-L-10) SWIVEL BRACKET TRANSOM(X,XX) (DF250Z E40)

REF NO.	PART NO.	DESCRIPTION	Q'TY	REMARKS
1	22511-99011	NIPPLE, GREASE SWIVEL BRKT	4	
2	36894-87D00	LEAD (SWIVEL TO MOUNT BRKT)	1	
3	43111-93J23-0EP	BRACKET, SWIVEL (UL) (BLACK)	1	
4	43114-93J00	WASHER, SWIVEL TO CLAMP BRKT	2	
5	43211-93J00	BUSH, CLAMP SHAFT SWIVEL	2	
6	43711-97E00	BUSH, STEERING	2	
7	43750-93J02-0EP	BRACKET, STEERING (UL) (BLACK)	1	
8	09125-06063	SCREW (6X10)	1	
9	09160-39001	WASHER (39.5X64X1)	2	
10	09181-39001	SHIM (39.5X64X0.3)	4	
11	09282-39001	OIL SEAL (39X51X5)	1	
12	09380-38003	CIRCLIP	1	
13	41220-93J11	LEVER, TILT LOCK	1	
14	41234-93J11	LEVER, TILT LOCK PORT	1	
15	41224-95E01	BUSH, TILT STOPPER ROD	2	
16	41230-96J00	LINK, TILT LOCK LEVER	1	
17	41233-95E10	BRACKET, TILT LOCK SPRING	1	
18	09125-06063	SCREW (6X10)	1	
19	09140-10032	NUT	1	
20	09160-06082	WASHER (6.5X13X1.0)	1	
21	09204-01006	PIN	1	
22	09440-19028	SPRING	1	
23	09443-10043	SPRING	1	

FIG.207

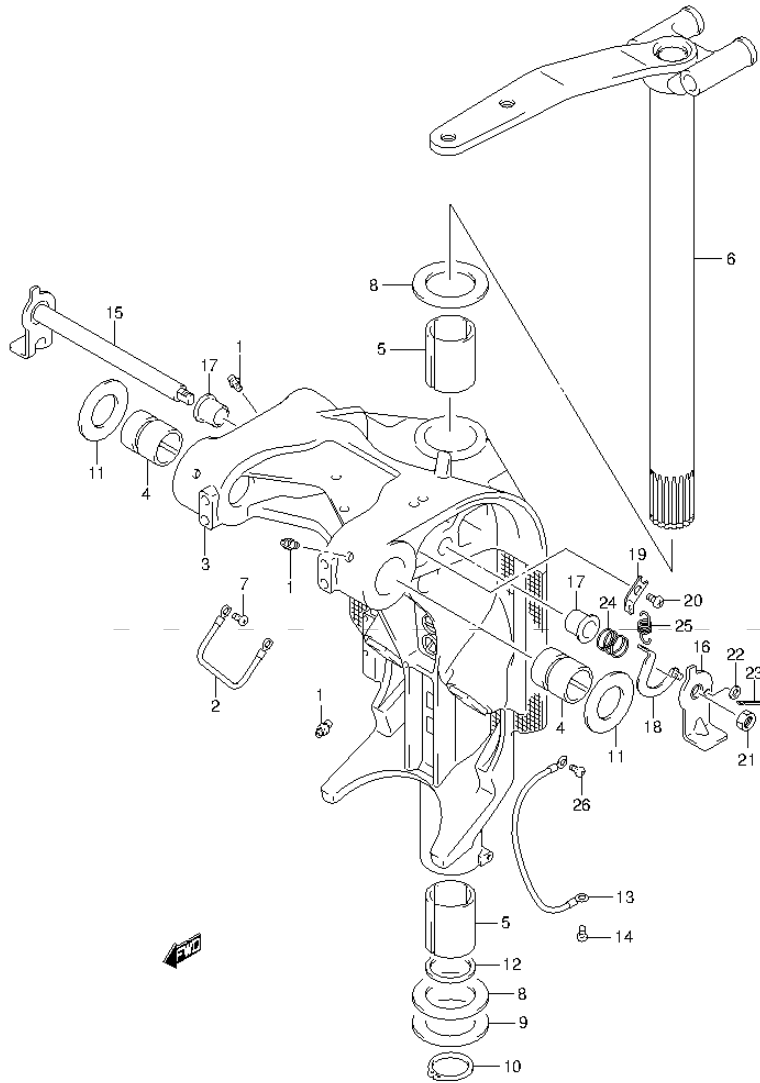
FIG.207 (2-L-11) SWIVEL BRACKET TRANSOM(L) (DF200T E1)



REF NO.	PART NO.	DESCRIPTION	Q'TY	REMARKS
1	22511-99011	NIPPLE, GREASE	4	
2	36894-87D00	LEAD (SWIVEL TO CLAMP)	1	
3	43111-96J20-0EP	BRACKET, SWIVEL (L) (BLACK)	1	
4	43211-93J00	BUSH, CLAMP SHAFT SWIVEL	2	
5	43711-97E00	BUSH, STEERING	2	
6	43750-96J02-0EP	BRACKET, STEERING (L)(BLACK)	1	
7	09125-06063	SCREW (6X10)	2	
8	09160-39001	WASHER (39.5X64X1)	2	
9	09181-39001	SHIM (39.5X64X0.3)	4	
10	09380-38003	CIRCLIP	1	
11	09169-28003	WASHER	2	
12	09282-39001	OIL SEAL (39X51X5)	1	
13	36895-87D10	LEAD (SWIVEL TO HSG)	1	
14	09125-06063	SCREW (6X10)	1	
15	41220-96J10	LEVER, TILT LOCK	1	
16	41234-96J10	LEVER, TILT LOCK PORT	1	
17	41224-95E01	BUSH, TILT STOPPER ROD	2	
18	41230-96J00	LINK, TILT LOCK LEVER	1	
19	41233-95E10	BRACKET, TILT LOCK SPRING	1	
20	09125-06063	SCREW (6X10)	1	
21	09140-10032	NUT	1	
22	09160-06082	WASHER (6.5X13X1.0)	1	
23	09204-01006	PIN	1	
24	09440-19028	SPRING	1	
25	09443-10043	SPRING	1	
26	09125-06063	SCREW (6X10)	1	

FIG.208

FIG.208 (2-L-12) SWIVEL BRACKET TRANSOM(L) (DF200T E40)



REF NO.	PART NO.	DESCRIPTION	Q'TY	REMARKS
1	22511-99011	NIPPLE, GREASE	4	
2	36894-87D00	LEAD (SWIVEL TO CLAMP)	1	
3	43111-96J20-0EP	BRACKET, SWIVEL (L) (BLACK)	1	
4	43211-93J00	BUSH, CLAMP SHAFT SWIVEL	2	
5	43711-97E00	BUSH, STEERING	2	
6	43750-96J02-0EP	BRACKET, STEERING (L)(BLACK)	1	
7	09125-06063	SCREW (6X10)	2	
8	09160-39001	WASHER (39.5X64X1)	2	
9	09181-39001	SHIM (39.5X64X0.3)	4	
10	09380-38003	CIRCLIP	1	
11	09169-28003	WASHER	2	
12	09282-39001	OIL SEAL (39X51X5)	1	
13	36895-87D10	LEAD (SWIVEL TO HSG)	1	
14	09125-06063	SCREW (6X10)	1	
15	41220-96J10	LEVER, TILT LOCK	1	
16	41234-96J10	LEVER, TILT LOCK PORT	1	
17	41224-95E01	BUSH, TILT STOPPER ROD	2	
18	41230-96J00	LINK, TILT LOCK LEVER	1	
19	41233-95E10	BRACKET, TILT LOCK SPRING	1	
20	09125-06063	SCREW (6X10)	1	
21	09140-10032	NUT	1	
22	09160-06082	WASHER (6.5X13X1.0)	1	
23	09204-01006	PIN	1	
24	09440-19028	SPRING	1	
25	09443-10043	SPRING	1	
26	09125-06063	SCREW (6X10)	1	

FIG.209

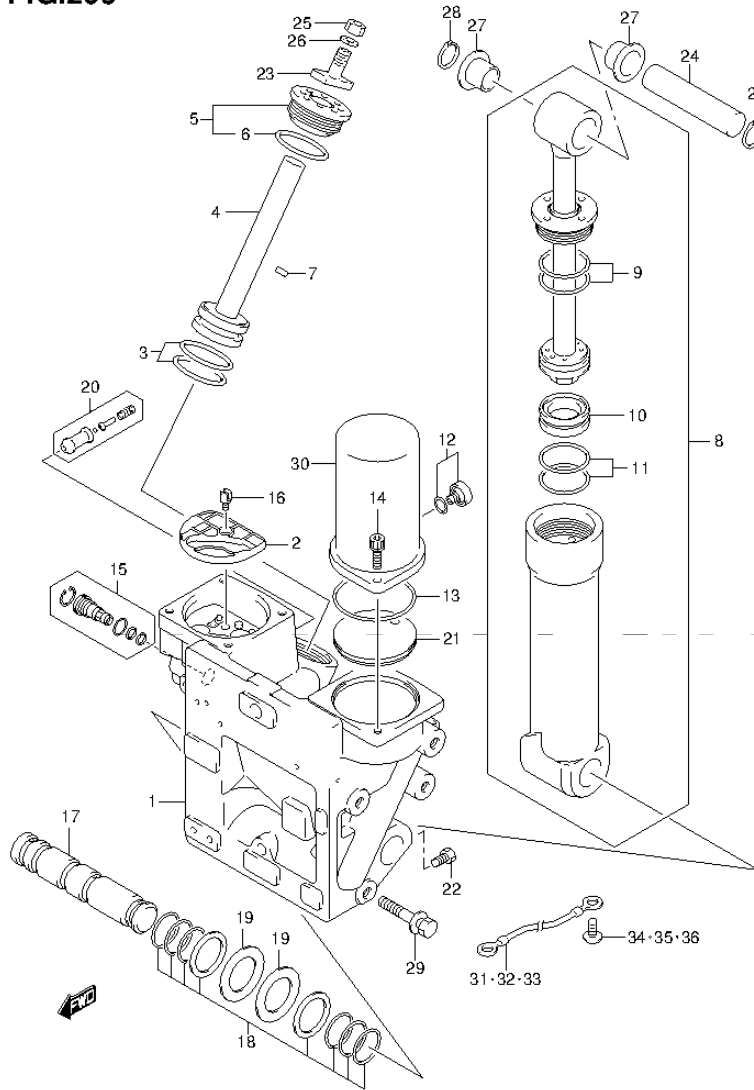


FIG.209 (2-L-13) TRIM CYLINDER TRANSOM(X,XX) (DF200T E1)

REF NO.	PART NO.	DESCRIPTION	Q'TY	REMARKS
1	48500-93J05	MANIFOLD ASSY	1	
2	48582-95E01	FILTER	1	
3	48605-93J00	O RING SET	2	
4	48610-93J01	PISTON / RAM	2	
5	48630-98J01	ROD GUIDE	2	
6	48633-93J00	O RING	2	
7	48691-93J00	CHECK VALVE	1	
8	48400-93J06	CYLINDER ASSY	1	
9	48405-93J00	O RING SET	1	
10	48650-93J00	PISTON, FREE	1	
11	48627-93J00	O RING SET	1	
12	48572-87J10	PLUG	1	
13	48585-95E00	O RING	1	
14	48862-87J20	BOLT, RESERVOIR	2	
15	48864-93J01	MANUAL VALVE	1	
16	48583-95E00	JOINT, DRIVE	1	
17	48121-93J13	SHAFT	1	
18	48125-93J00	O RING SET	1	
19	48126-93J00	WASHER, TILT CYL TO MANIF	2	
20	48320-93J00	VALVE SET, UP BLOW	1	
21	48573-93J00	COVER	1	
22	48128-93J11	BOLT	1	
23	48311-96J10	PAD, TRIM CYL RAM	2	
24	48321-93J00	SHAFT, TILT CYL UPPER	1	
25	29141-93J20	NUT, TRIM CYL RAM	2	
26	09162-10005	LOCK WASHER	2	
27	09306-24001	BUSH	2	
28	09380-21002	CIRCLIP	2	
29	09116-10175	BOLT (10X50)	8	
30	48571-93J00	RESERVOIR TANK	1	
31	36894-87D00	LEAD, PTT TO ANODE	1	
32	36895-87D01	LEAD, PTT TO ANODE	1	
33	36895-87D01	LEAD, PTT TO ANODE	1	
34	09125-06063	SCREW (6X10)	1	

FIG.210

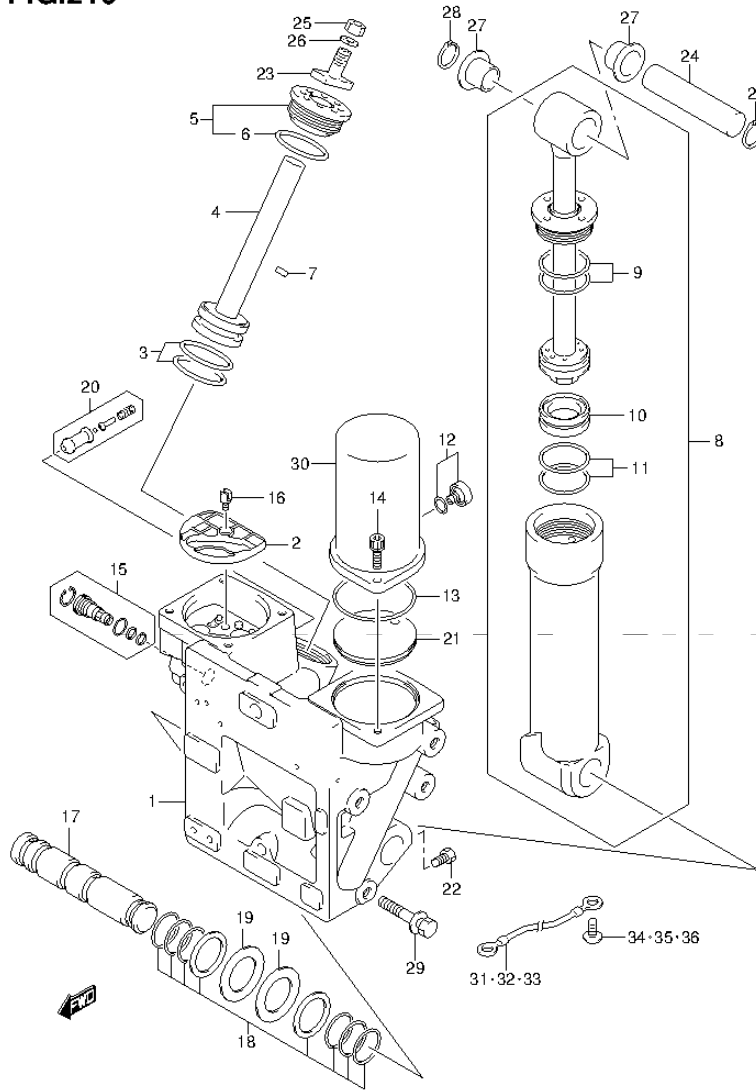


FIG.210 (2-L-15) TRIM CYLINDER TRANSOM(X) (DF200T E40)

REF NO.	PART NO.	DESCRIPTION	Q'TY	REMARKS
1	48500-93J05	MANIFOLD ASSY	1	
2	48582-95E01	FILTER	1	
3	48605-93J00	O RING SET	2	
4	48610-93J01	PISTON / RAM	2	
5	48630-98J01	ROD GUIDE	2	
6	48633-93J00	O RING	2	
7	48691-93J00	CHECK VALVE	1	
8	48400-93J06	CYLINDER ASSY	1	
9	48405-93J00	O RING SET	1	
10	48650-93J00	PISTON, FREE	1	
11	48627-93J00	O RING SET	1	
12	48572-87J10	PLUG	1	
13	48585-95E00	O RING	1	
14	48862-87J20	BOLT, RESERVOIR	2	
15	48864-93J01	MANUAL VALVE	1	
16	48583-95E00	JOINT, DRIVE	1	
17	48121-93J13	SHAFT	1	
18	48125-93J00	O RING SET	1	
19	48126-93J00	WASHER, TILT CYL TO MANIF	2	
20	48320-93J00	VALVE SET, UP BLOW	1	
21	48573-93J00	COVER	1	
22	48128-93J11	BOLT	1	
23	48311-96J10	PAD, TRIM CYL RAM	2	
24	48321-93J00	SHAFT, TILT CYL UPPER	1	
25	29141-93J20	NUT, TRIM CYL RAM	2	
26	09162-10005	LOCK WASHER	2	
27	09306-24001	BUSH	2	
28	09380-21002	CIRCLIP	2	
29	09116-10175	BOLT (10X50)	8	
30	48571-93J00	RESERVOIR TANK	1	
31	36894-87D00	LEAD, PTT TO ANODE	1	
32	36895-87D01	LEAD, PTT TO ANODE	1	
33	36895-87D01	LEAD, PTT TO ANODE	1	
34	09125-06063	SCREW (6X10)	1	

FIG.211

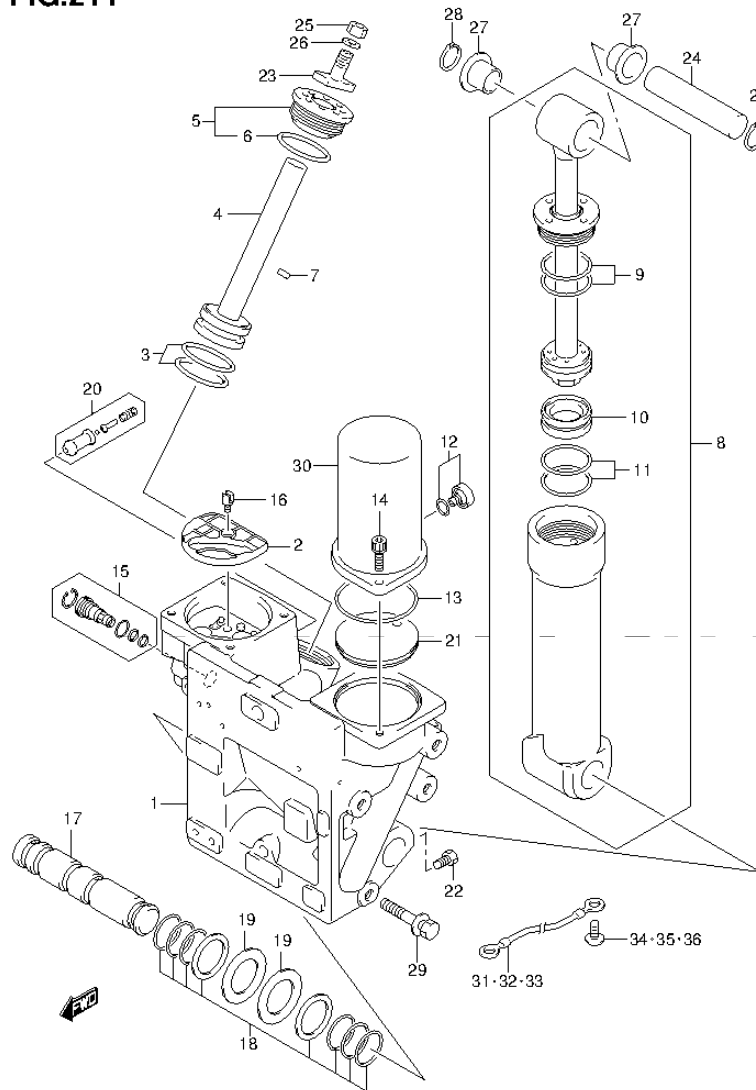


FIG.211 (3-B-3) TRIM CYLINDER TRANSOM(X,XX) (DF200Z E1)

REF NO.	PART NO.	DESCRIPTION	Q'TY	REMARKS
1	48500-93J05	MANIFOLD ASSY	1	
2	48582-95E01	FILTER	1	
3	48605-93J00	O RING SET	2	
4	48610-93J01	PISTON / RAM	2	
5	48630-98J01	ROD GUIDE	2	
6	48633-93J00	O RING	2	
7	48691-93J00	CHECK VALVE	1	
8	48400-93J06	CYLINDER ASSY	1	
9	48405-93J00	O RING SET	1	
10	48650-93J00	PISTON, FREE	1	
11	48627-93J00	O RING SET	1	
12	48572-87J10	PLUG	1	
13	48585-95E00	O RING	1	
14	48862-87J20	BOLT, RESERVOIR	2	
15	48864-93J01	MANUAL VALVE	1	
16	48583-95E00	JOINT, DRIVE	1	
17	48121-93J13	SHAFT	1	
18	48125-93J00	O RING SET	1	
19	48126-93J00	WASHER, TILT CYL TO MANIF	2	
20	48320-93J00	VALVE SET, UP BLOW	1	
21	48573-93J00	COVER	1	
22	48128-93J11	BOLT	1	
23	48311-96J10	PAD, TRIM CYL RAM	2	
24	48321-93J00	SHAFT, TILT CYL UPPER	1	
25	29141-93J20	NUT, TRIM CYL RAM	2	
26	09162-10005	LOCK WASHER	2	
27	09306-24001	BUSH	2	
28	09380-21002	CIRCLIP	2	
29	09116-10175	BOLT (10X50)	8	
30	48571-93J00	RESERVOIR TANK	1	
31	36894-87D00	LEAD, PTT TO ANODE	1	
32	36895-87D01	LEAD, PTT TO ANODE	1	
33	36895-87D01	LEAD, PTT TO ANODE	1	
34	09125-06063	SCREW (6X10)	1	

FIG.211

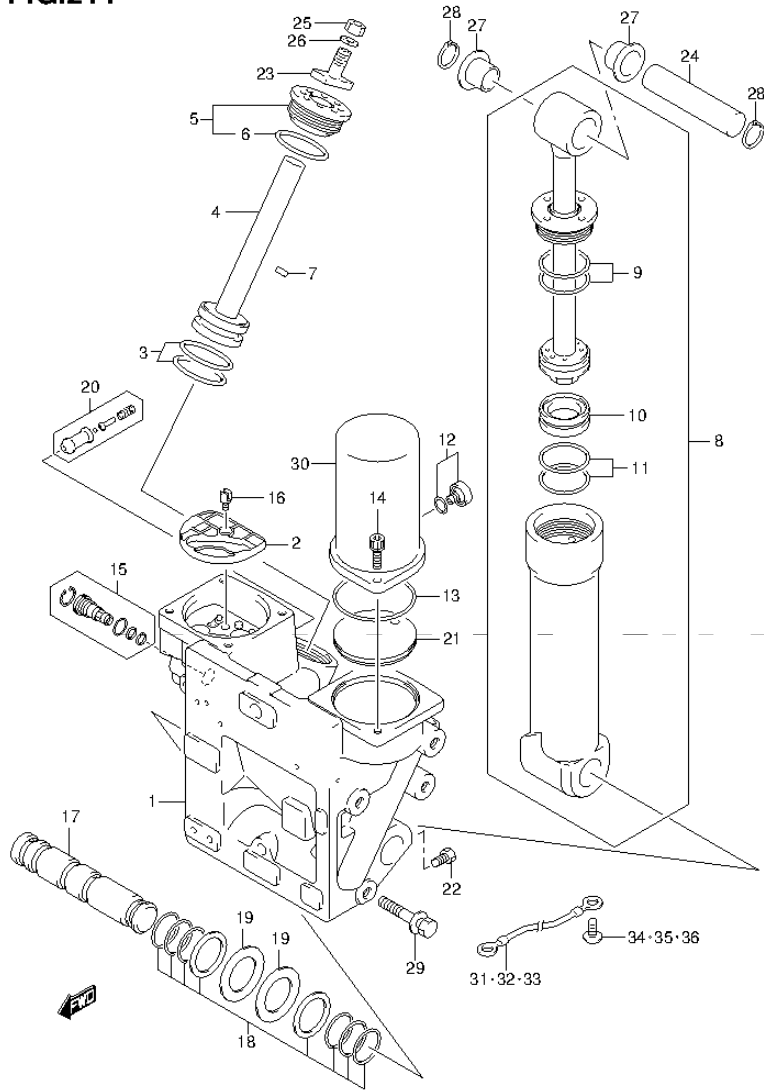


FIG.211 (3-B-4) TRIM CYLINDER TRANSOM(X,XX) (DF200Z E1)

REF NO.	PART NO.	DESCRIPTION	Q'TY	REMARKS
35	09125-06063	SCREW (6X10)	1	
36	09125-06063	SCREW (6X10)	1	

FIG.212

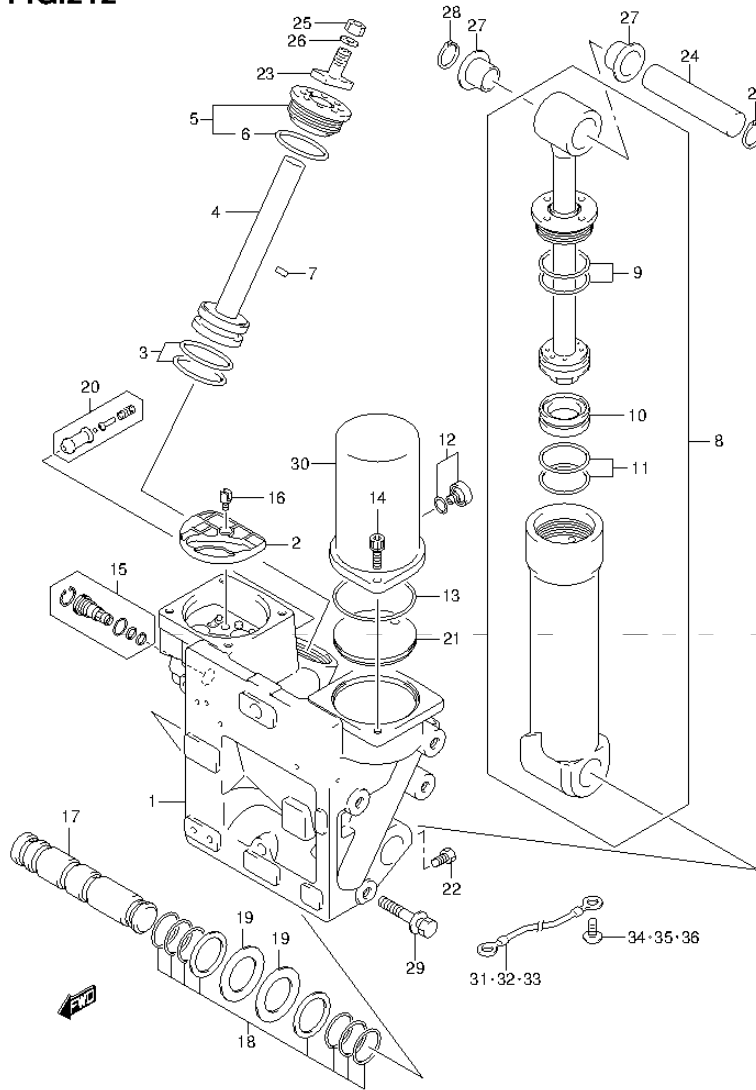


FIG.212 (3-B-5) TRIM CYLINDER TRANSOM(X) (DF200Z E40)

REF NO.	PART NO.	DESCRIPTION	Q'TY	REMARKS
1	48500-93J05	MANIFOLD ASSY	1	
2	48582-95E01	FILTER	1	
3	48605-93J00	O RING SET	2	
4	48610-93J01	PISTON / RAM	2	
5	48630-98J01	ROD GUIDE	2	
6	48633-93J00	O RING	2	
7	48691-93J00	CHECK VALVE	1	
8	48400-93J06	CYLINDER ASSY	1	
9	48405-93J00	O RING SET	1	
10	48650-93J00	PISTON, FREE	1	
11	48627-93J00	O RING SET	1	
12	48572-87J10	PLUG	1	
13	48585-95E00	O RING	1	
14	48862-87J20	BOLT, RESERVOIR	2	
15	48864-93J01	MANUAL VALVE	1	
16	48583-95E00	JOINT, DRIVE	1	
17	48121-93J13	SHAFT	1	
18	48125-93J00	O RING SET	1	
19	48126-93J00	WASHER, TILT CYL TO MANIF	2	
20	48320-93J00	VALVE SET, UP BLOW	1	
21	48573-93J00	COVER	1	
22	48128-93J11	BOLT	1	
23	48311-96J10	PAD, TRIM CYL RAM	2	
24	48321-93J00	SHAFT, TILT CYL UPPER	1	
25	29141-93J20	NUT, TRIM CYL RAM	2	
26	09162-10005	LOCK WASHER	2	
27	09306-24001	BUSH	2	
28	09380-21002	CIRCLIP	2	
29	09116-10175	BOLT (10X50)	8	
30	48571-93J00	RESERVOIR TANK	1	
31	36894-87D00	LEAD, PTT TO ANODE	1	
32	36895-87D01	LEAD, PTT TO ANODE	1	
33	36895-87D01	LEAD, PTT TO ANODE	1	
34	09125-06063	SCREW (6X10)	1	

FIG.212

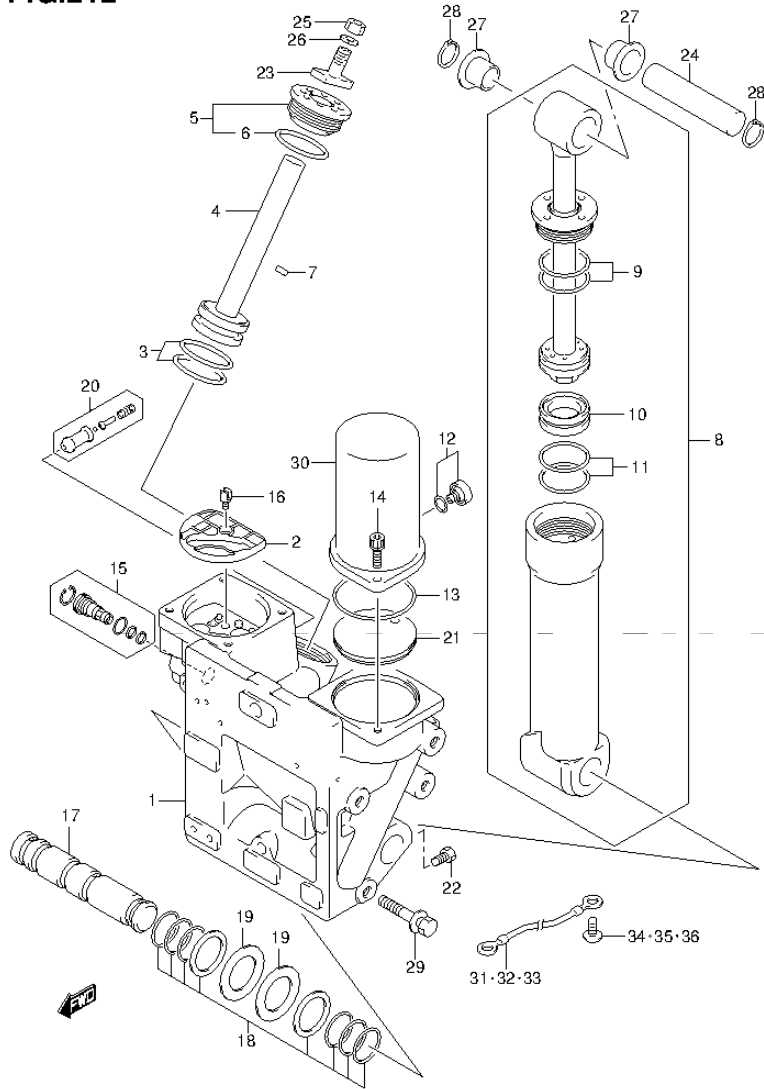


FIG.212 (3-B-6) TRIM CYLINDER TRANSOM(X) (DF200Z E40)

REF NO.	PART NO.	DESCRIPTION	Q'TY	REMARKS
35	09125-06063	SCREW (6X10)	1	
36	09125-06063	SCREW (6X10)	1	

FIG.213

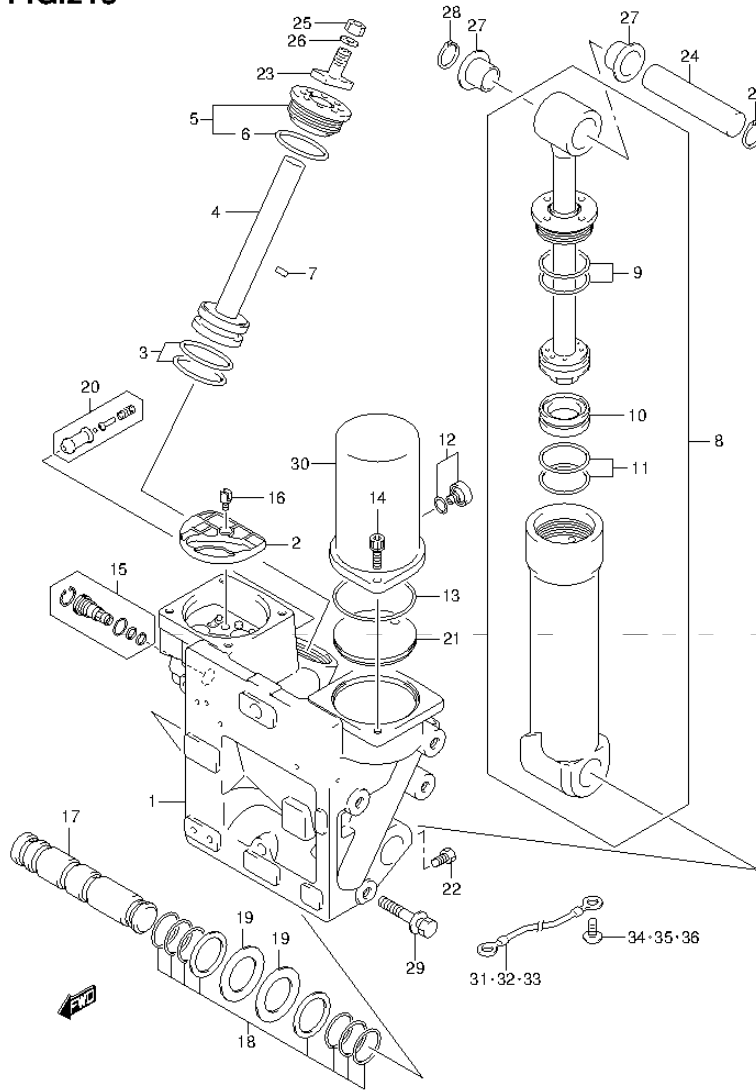


FIG.213 (3-B-7) TRIM CYLINDER TRANSOM(X,XX) (DF225T E1)

REF NO.	PART NO.	DESCRIPTION	Q'TY	REMARKS
1	48500-93J05	MANIFOLD ASSY	1	
2	48582-95E01	FILTER	1	
3	48605-93J00	O RING SET	2	
4	48610-93J01	PISTON / RAM	2	
5	48630-98J01	ROD GUIDE	2	
6	48633-93J00	O RING	2	
7	48691-93J00	CHECK VALVE	1	
8	48400-93J06	CYLINDER ASSY	1	
9	48405-93J00	O RING SET	1	
10	48650-93J00	PISTON, FREE	1	
11	48627-93J00	O RING SET	1	
12	48572-87J10	PLUG	1	
13	48585-95E00	O RING	1	
14	48862-87J20	BOLT, RESERVOIR	2	
15	48864-93J01	MANUAL VALVE	1	
16	48583-95E00	JOINT, DRIVE	1	
17	48121-93J13	SHAFT	1	
18	48125-93J00	O RING SET	1	
19	48126-93J00	WASHER, TILT CYL TO MANIF	2	
20	48320-93J00	VALVE SET, UP BLOW	1	
21	48573-93J00	COVER	1	
22	48128-93J11	BOLT	1	
23	48311-96J10	PAD, TRIM CYL RAM	2	
24	48321-93J00	SHAFT, TILT CYL UPPER	1	
25	29141-93J20	NUT, TRIM CYL RAM	2	
26	09162-10005	LOCK WASHER	2	
27	09306-24001	BUSH	2	
28	09380-21002	CIRCLIP	2	
29	09116-10175	BOLT (10X50)	8	
30	48571-93J00	RESERVOIR TANK	1	
31	36894-87D00	LEAD, PTT TO ANODE	1	
32	36895-87D01	LEAD, PTT TO ANODE	1	
33	36895-87D01	LEAD, PTT TO ANODE	1	
34	09125-06063	SCREW (6X10)	1	

FIG.214

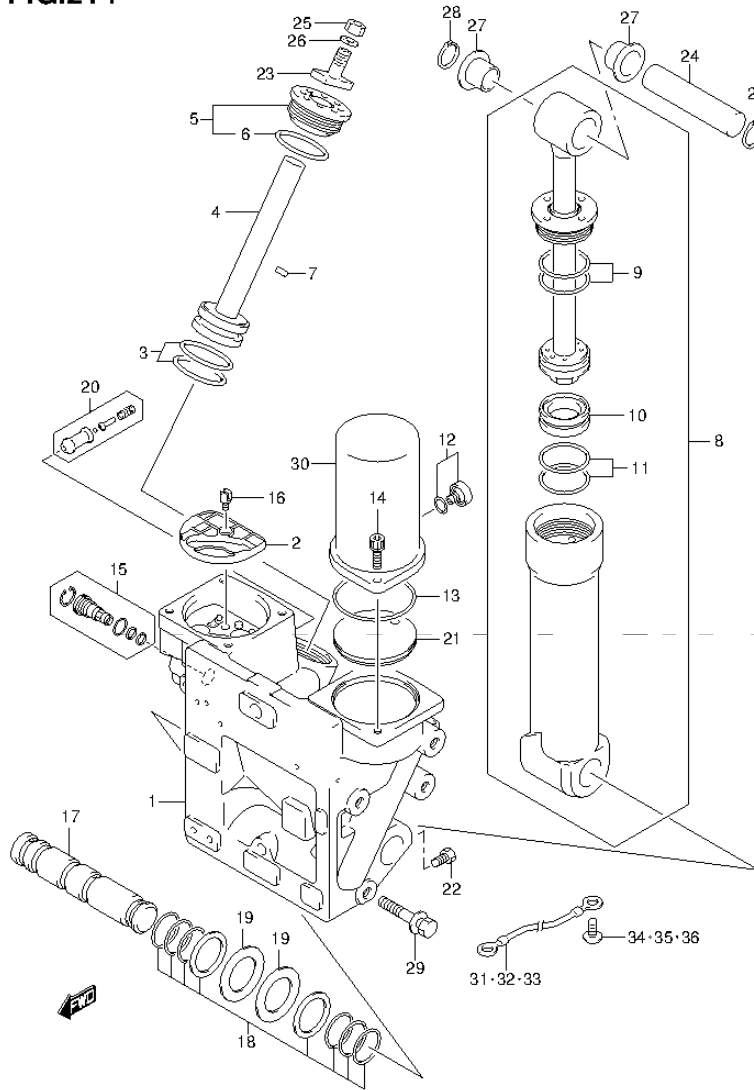


FIG.214 (3-B-9) TRIM CYLINDER TRANSOM(X,XX) (DF225T E40)

REF NO.	PART NO.	DESCRIPTION	Q'TY	REMARKS
1	48500-93J05	MANIFOLD ASSY	1	
2	48582-95E01	FILTER	1	
3	48605-93J00	O RING SET	2	
4	48610-93J01	PISTON / RAM	2	
5	48630-98J01	ROD GUIDE	2	
6	48633-93J00	O RING	2	
7	48691-93J00	CHECK VALVE	1	
8	48400-93J06	CYLINDER ASSY	1	
9	48405-93J00	O RING SET	1	
10	48650-93J00	PISTON, FREE	1	
11	48627-93J00	O RING SET	1	
12	48572-87J10	PLUG	1	
13	48585-95E00	O RING	1	
14	48862-87J20	BOLT, RESERVOIR	2	
15	48864-93J01	MANUAL VALVE	1	
16	48583-95E00	JOINT, DRIVE	1	
17	48121-93J13	SHAFT	1	
18	48125-93J00	O RING SET	1	
19	48126-93J00	WASHER, TILT CYL TO MANIF	2	
20	48320-93J00	VALVE SET, UP BLOW	1	
21	48573-93J00	COVER	1	
22	48128-93J11	BOLT	1	
23	48311-96J10	PAD, TRIM CYL RAM	2	
24	48321-93J00	SHAFT, TILT CYL UPPER	1	
25	29141-93J20	NUT, TRIM CYL RAM	2	
26	09162-10005	LOCK WASHER	2	
27	09306-24001	BUSH	2	
28	09380-21002	CIRCLIP	2	
29	09116-10175	BOLT (10X50)	8	
30	48571-93J00	RESERVOIR TANK	1	
31	36894-87D00	LEAD, PTT TO ANODE	1	
32	36895-87D01	LEAD, PTT TO ANODE	1	
33	36895-87D01	LEAD, PTT TO ANODE	1	
34	09125-06063	SCREW (6X10)	1	

FIG.214

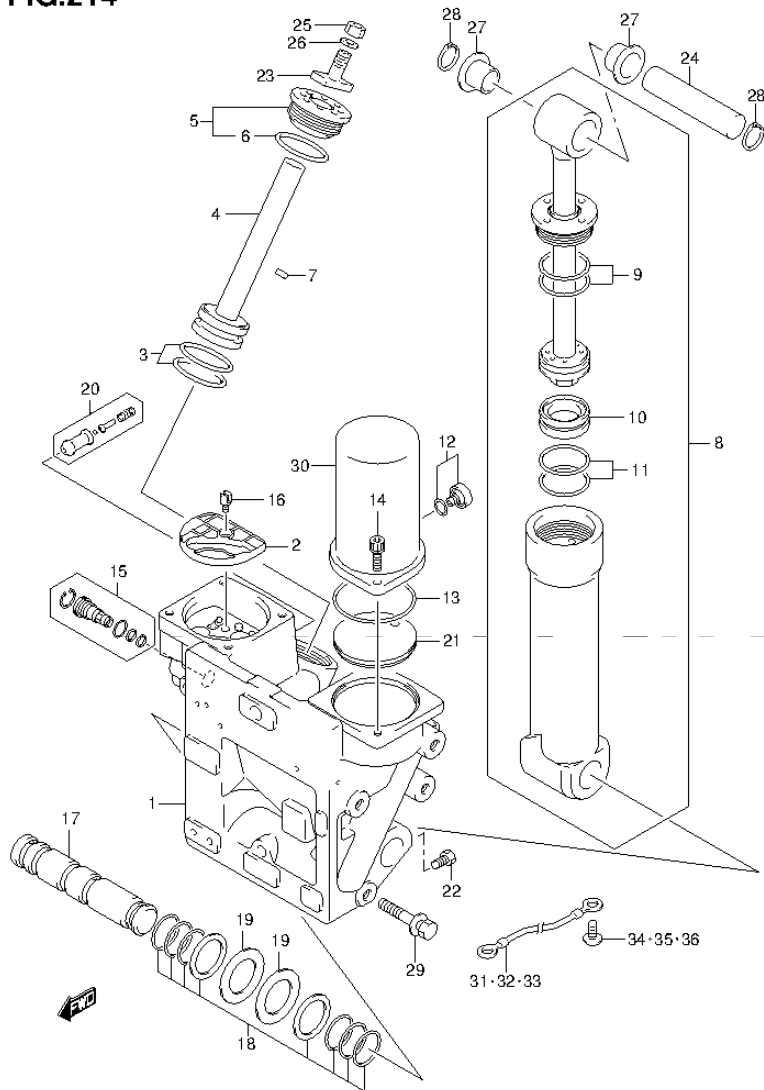


FIG.214 (3-B-10) TRIM CYLINDER TRANSOM(X,XX) (DF225T E40)

REF NO.	PART NO.	DESCRIPTION	Q'TY	REMARKS
35	09125-06063	SCREW (6X10)	1	
36	09125-06063	SCREW (6X10)	1	

FIG.215

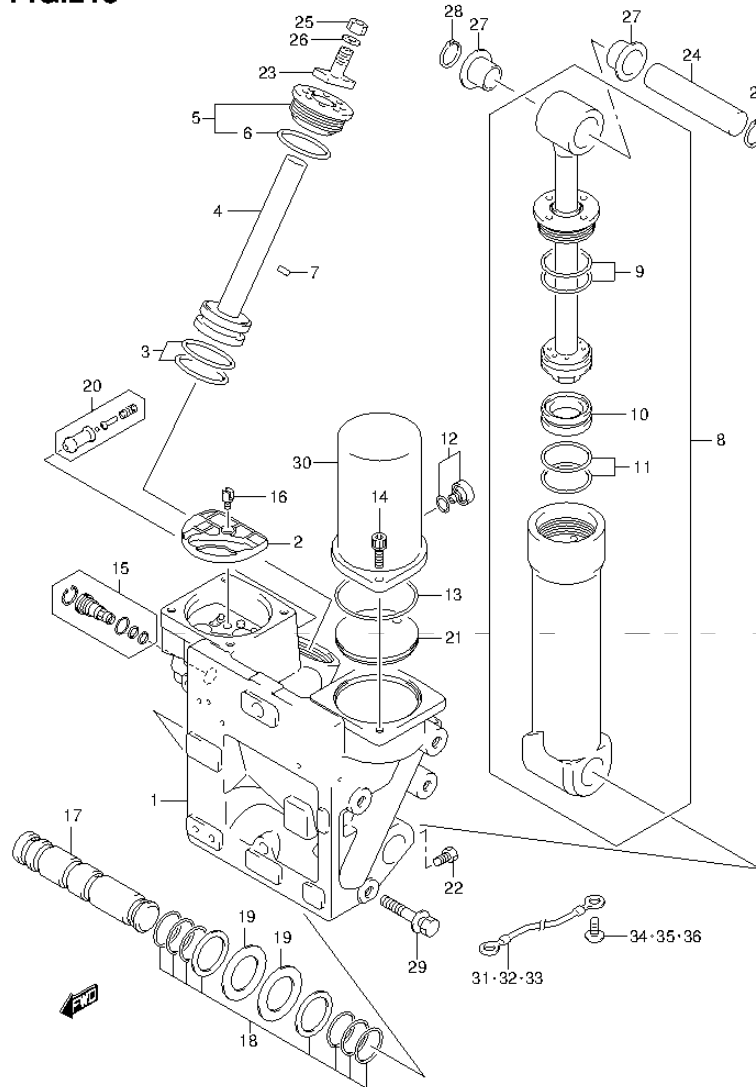


FIG.215 (3-B-11) TRIM CYLINDER TRANSOM(X,XX) (DF225Z E1)

REF NO.	PART NO.	DESCRIPTION	Q'TY	REMARKS
1	48500-93J05	MANIFOLD ASSY	1	
2	48582-95E01	FILTER	1	
3	48605-93J00	O RING SET	2	
4	48610-93J01	PISTON / RAM	2	
5	48630-98J01	ROD GUIDE	2	
6	48633-93J00	O RING	2	
7	48691-93J00	CHECK VALVE	1	
8	48400-93J06	CYLINDER ASSY	1	
9	48405-93J00	O RING SET	1	
10	48650-93J00	PISTON, FREE	1	
11	48627-93J00	O RING SET	1	
12	48572-87J10	PLUG	1	
13	48585-95E00	O RING	1	
14	48862-87J20	BOLT, RESERVOIR	2	
15	48864-93J01	MANUAL VALVE	1	
16	48583-95E00	JOINT, DRIVE	1	
17	48121-93J13	SHAFT	1	
18	48125-93J00	O RING SET	1	
19	48126-93J00	WASHER, TILT CYL TO MANIF	2	
20	48320-93J00	VALVE SET, UP BLOW	1	
21	48573-93J00	COVER	1	
22	48128-93J11	BOLT	1	
23	48311-96J10	PAD, TRIM CYL RAM	2	
24	48321-93J00	SHAFT, TILT CYL UPPER	1	
25	29141-93J20	NUT, TRIM CYL RAM	2	
26	09162-10005	LOCK WASHER	2	
27	09306-24001	BUSH	2	
28	09380-21002	CIRCLIP	2	
29	09116-10175	BOLT (10X50)	8	
30	48571-93J00	RESERVOIR TANK	1	
31	36894-87D00	LEAD, PTT TO ANODE	1	
32	36895-87D01	LEAD, PTT TO ANODE	1	
33	36895-87D01	LEAD, PTT TO ANODE	1	
34	09125-06063	SCREW (6X10)	1	

FIG.215

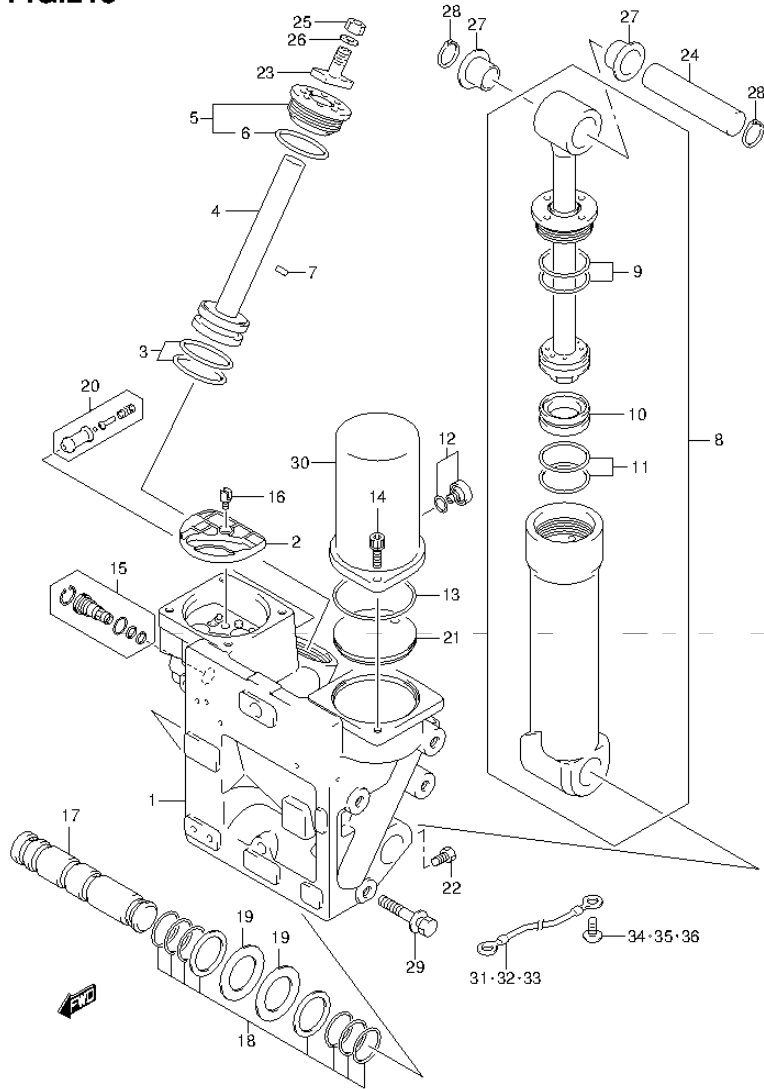


FIG.215 (3-B-12) TRIM CYLINDER TRANSOM(X,XX) (DF225Z E1)

REF NO.	PART NO.	DESCRIPTION	Q'TY	REMARKS
35	09125-06063	SCREW (6X10)	1	
36	09125-06063	SCREW (6X10)	1	

FIG.216

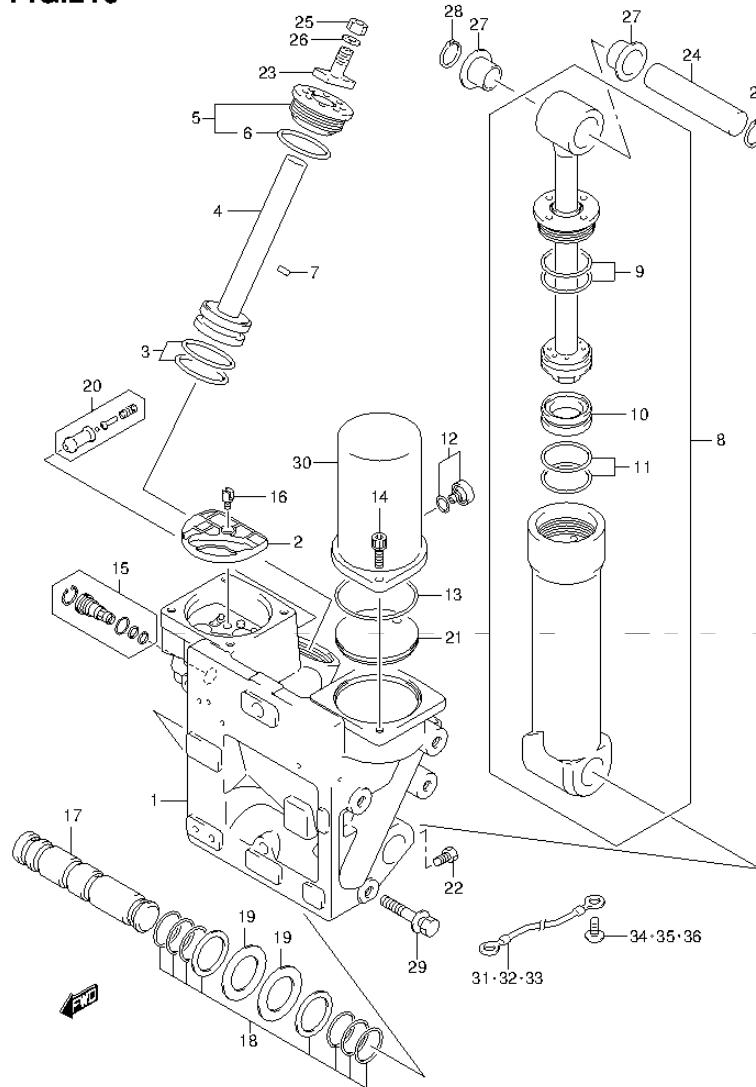


FIG.216 (3-B-13) TRIM CYLINDER TRANSOM(X,XX) (DF225Z E40)

REF NO.	PART NO.	DESCRIPTION	Q'TY	REMARKS
1	48500-93J05	MANIFOLD ASSY	1	
2	48582-95E01	FILTER	1	
3	48605-93J00	O RING SET	2	
4	48610-93J01	PISTON / RAM	2	
5	48630-98J01	ROD GUIDE	2	
6	48633-93J00	O RING	2	
7	48691-93J00	CHECK VALVE	1	
8	48400-93J06	CYLINDER ASSY	1	
9	48405-93J00	O RING SET	1	
10	48650-93J00	PISTON, FREE	1	
11	48627-93J00	O RING SET	1	
12	48572-87J10	PLUG	1	
13	48585-95E00	O RING	1	
14	48862-87J20	BOLT, RESERVOIR	2	
15	48864-93J01	MANUAL VALVE	1	
16	48583-95E00	JOINT, DRIVE	1	
17	48121-93J13	SHAFT	1	
18	48125-93J00	O RING SET	1	
19	48126-93J00	WASHER, TILT CYL TO MANIF	2	
20	48320-93J00	VALVE SET, UP BLOW	1	
21	48573-93J00	COVER	1	
22	48128-93J11	BOLT	1	
23	48311-96J10	PAD, TRIM CYL RAM	2	
24	48321-93J00	SHAFT, TILT CYL UPPER	1	
25	29141-93J20	NUT, TRIM CYL RAM	2	
26	09162-10005	LOCK WASHER	2	
27	09306-24001	BUSH	2	
28	09380-21002	CIRCLIP	2	
29	09116-10175	BOLT (10X50)	8	
30	48571-93J00	RESERVOIR TANK	1	
31	36894-87D00	LEAD, PTT TO ANODE	1	
32	36895-87D01	LEAD, PTT TO ANODE	1	
33	36895-87D01	LEAD, PTT TO ANODE	1	
34	09125-06063	SCREW (6X10)	1	

FIG.217

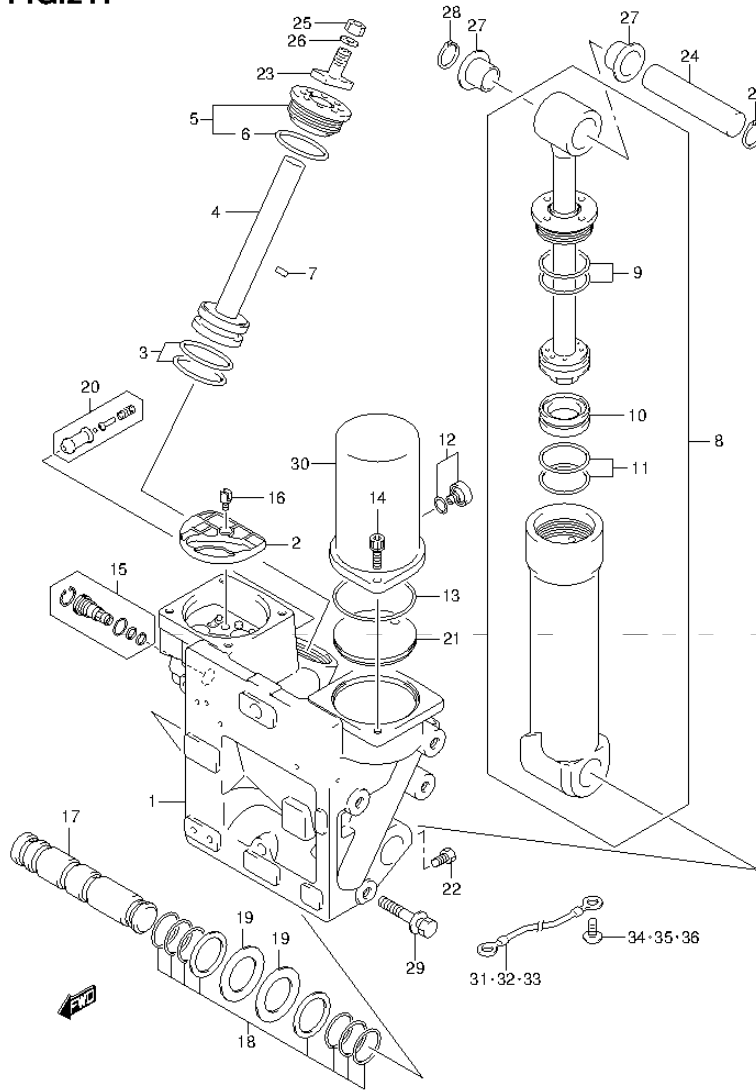


FIG.217 (3-B-15) TRIM CYLINDER TRANSOM(X,XX) (DF250T E1)

REF NO.	PART NO.	DESCRIPTION	Q'TY	REMARKS
1	48500-93J05	MANIFOLD ASSY	1	
2	48582-95E01	FILTER	1	
3	48605-93J00	O RING SET	2	
4	48610-93J01	PISTON / RAM	2	
5	48630-98J01	ROD GUIDE	2	
6	48633-93J00	O RING	2	
7	48691-93J00	CHECK VALVE	1	
8	48400-93J06	CYLINDER ASSY	1	
9	48405-93J00	O RING SET	1	
10	48650-93J00	PISTON, FREE	1	
11	48627-93J00	O RING SET	1	
12	48572-87J10	PLUG	1	
13	48585-95E00	O RING	1	
14	48862-87J20	BOLT, RESERVOIR	2	
15	48864-93J01	MANUAL VALVE	1	
16	48583-95E00	JOINT, DRIVE	1	
17	48121-93J13	SHAFT	1	
18	48125-93J00	O RING SET	1	
19	48126-93J00	WASHER, TILT CYL TO MANIF	2	
20	48320-93J00	VALVE SET, UP BLOW	1	
21	48573-93J00	COVER	1	
22	48128-93J11	BOLT	1	
23	48311-96J10	PAD, TRIM CYL RAM	2	
24	48321-93J00	SHAFT, TILT CYL UPPER	1	
25	29141-93J20	NUT, TRIM CYL RAM	2	
26	09162-10005	LOCK WASHER	2	
27	09306-24001	BUSH	2	
28	09380-21002	CIRCLIP	2	
29	09116-10175	BOLT (10X50)	8	
30	48571-93J00	RESERVOIR TANK	1	
31	36894-87D00	LEAD, PTT TO ANODE	1	
32	36895-87D01	LEAD, PTT TO ANODE	1	
33	36895-87D01	LEAD, PTT TO ANODE	1	
34	09125-06063	SCREW (6X10)	1	

FIG.218

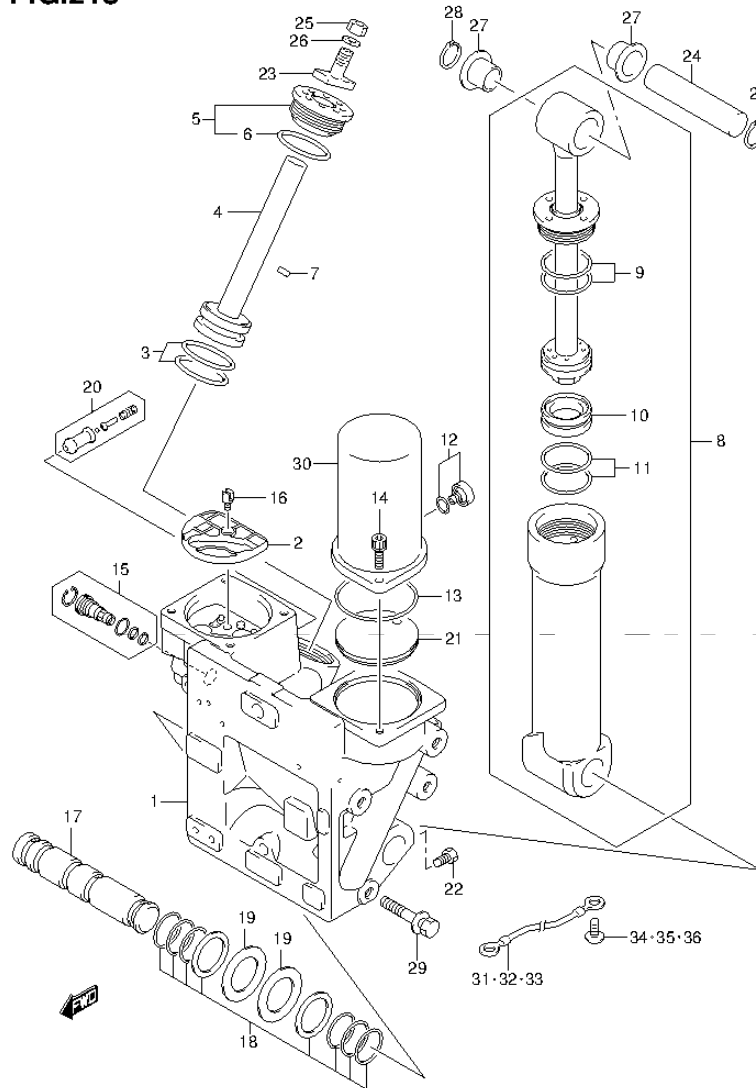


FIG.218 (3-C-3) TRIM CYLINDER TRANSOM(X,XX) (DF250T E40)

REF NO.	PART NO.	DESCRIPTION	Q'TY	REMARKS
1	48500-93J05	MANIFOLD ASSY	1	
2	48582-95E01	FILTER	1	
3	48605-93J00	O RING SET	2	
4	48610-93J01	PISTON / RAM	2	
5	48630-98J01	ROD GUIDE	2	
6	48633-93J00	O RING	2	
7	48691-93J00	CHECK VALVE	1	
8	48400-93J06	CYLINDER ASSY	1	
9	48405-93J00	O RING SET	1	
10	48650-93J00	PISTON, FREE	1	
11	48627-93J00	O RING SET	1	
12	48572-87J10	PLUG	1	
13	48585-95E00	O RING	1	
14	48862-87J20	BOLT, RESERVOIR	2	
15	48864-93J01	MANUAL VALVE	1	
16	48583-95E00	JOINT, DRIVE	1	
17	48121-93J13	SHAFT	1	
18	48125-93J00	O RING SET	1	
19	48126-93J00	WASHER, TILT CYL TO MANIF	2	
20	48320-93J00	VALVE SET, UP BLOW	1	
21	48573-93J00	COVER	1	
22	48128-93J11	BOLT	1	
23	48311-96J10	PAD, TRIM CYL RAM	2	
24	48321-93J00	SHAFT, TILT CYL UPPER	1	
25	29141-93J20	NUT, TRIM CYL RAM	2	
26	09162-10005	LOCK WASHER	2	
27	09306-24001	BUSH	2	
28	09380-21002	CIRCLIP	2	
29	09116-10175	BOLT (10X50)	8	
30	48571-93J00	RESERVOIR TANK	1	
31	36894-87D00	LEAD, PTT TO ANODE	1	
32	36895-87D01	LEAD, PTT TO ANODE	1	
33	36895-87D01	LEAD, PTT TO ANODE	1	
34	09125-06063	SCREW (6X10)	1	

FIG.218

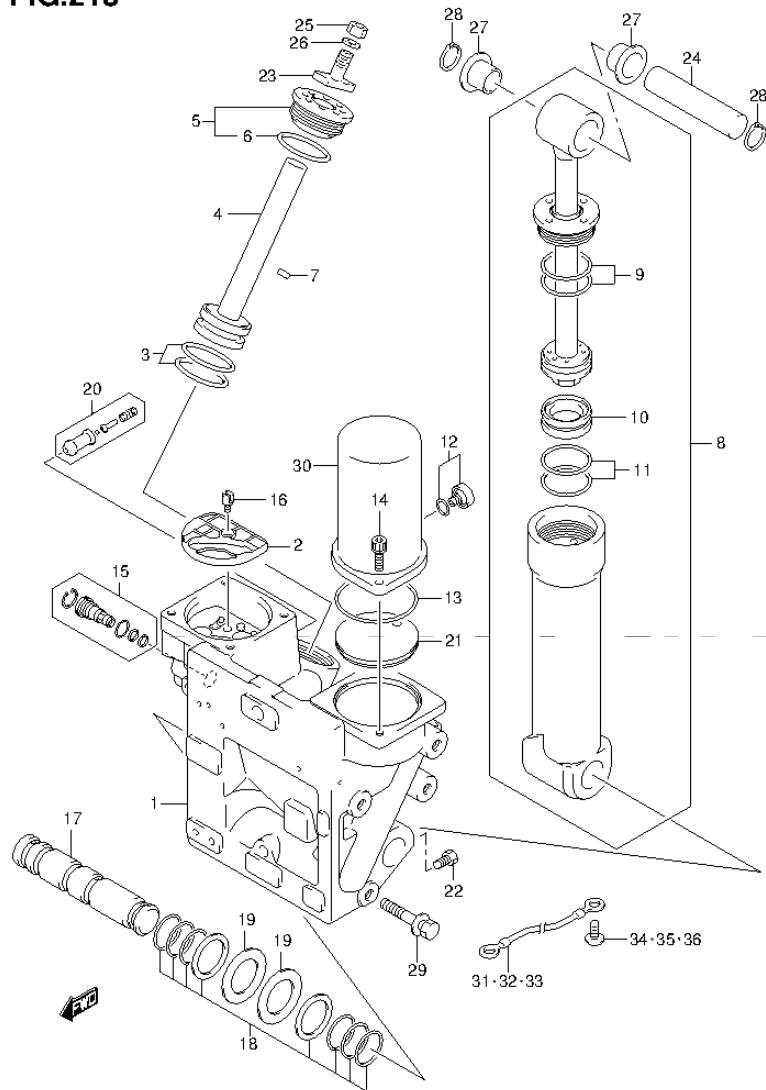


FIG.218 (3-C-4) TRIM CYLINDER TRANSOM(X,XX) (DF250T E40)

REF NO.	PART NO.	DESCRIPTION	Q'TY	REMARKS
35	09125-06063	SCREW (6X10)	1	
36	09125-06063	SCREW (6X10)	1	

FIG.219

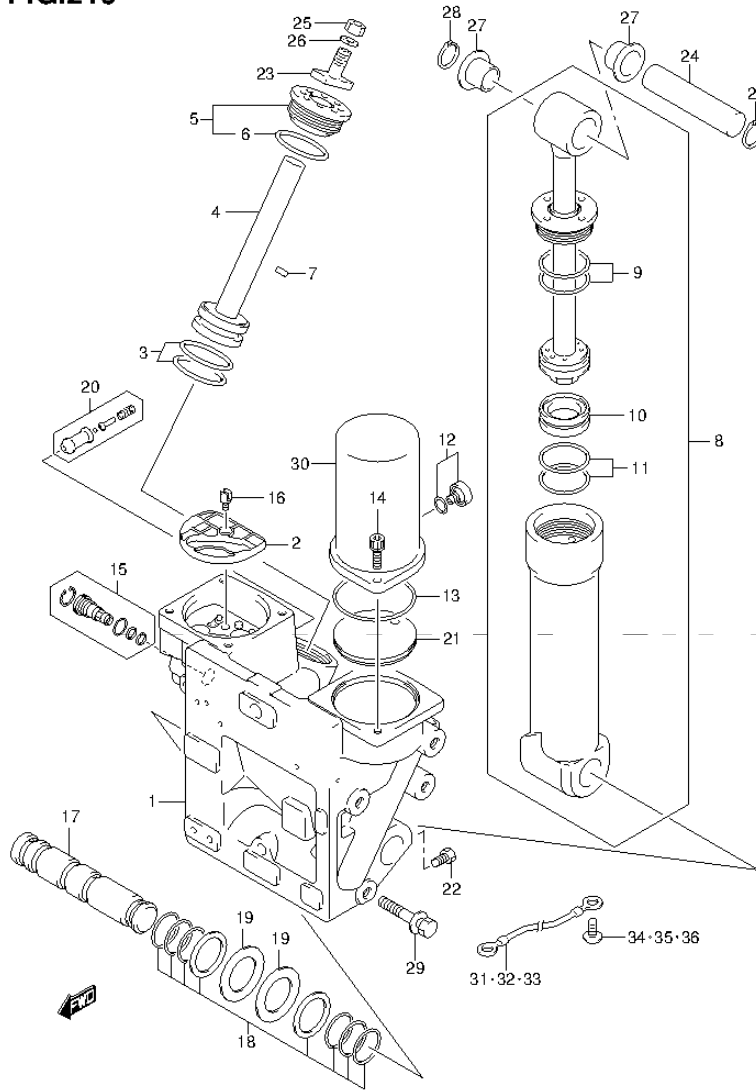


FIG.219 (3-C-5) TRIM CYLINDER TRANSOM(X,XX) (DF250Z E1)

REF NO.	PART NO.	DESCRIPTION	Q'TY	REMARKS
1	48500-93J05	MANIFOLD ASSY	1	
2	48582-95E01	FILTER	1	
3	48605-93J00	O RING SET	2	
4	48610-93J01	PISTON / RAM	2	
5	48630-98J01	ROD GUIDE	2	
6	48633-93J00	O RING	2	
7	48691-93J00	CHECK VALVE	1	
8	48400-93J06	CYLINDER ASSY	1	
9	48405-93J00	O RING SET	1	
10	48650-93J00	PISTON, FREE	1	
11	48627-93J00	O RING SET	1	
12	48572-87J10	PLUG	1	
13	48585-95E00	O RING	1	
14	48862-87J20	BOLT, RESERVOIR	2	
15	48864-93J01	MANUAL VALVE	1	
16	48583-95E00	JOINT, DRIVE	1	
17	48121-93J13	SHAFT	1	
18	48125-93J00	O RING SET	1	
19	48126-93J00	WASHER, TILT CYL TO MANIF	2	
20	48320-93J00	VALVE SET, UP BLOW	1	
21	48573-93J00	COVER	1	
22	48128-93J11	BOLT	1	
23	48311-96J10	PAD, TRIM CYL RAM	2	
24	48321-93J00	SHAFT, TILT CYL UPPER	1	
25	29141-93J20	NUT, TRIM CYL RAM	2	
26	09162-10005	LOCK WASHER	2	
27	09306-24001	BUSH	2	
28	09380-21002	CIRCLIP	2	
29	09116-10175	BOLT (10X50)	8	
30	48571-93J00	RESERVOIR TANK	1	
31	36894-87D00	LEAD, PTT TO ANODE	1	
32	36895-87D01	LEAD, PTT TO ANODE	1	
33	36895-87D01	LEAD, PTT TO ANODE	1	
34	09125-06063	SCREW (6X10)	1	

FIG.219

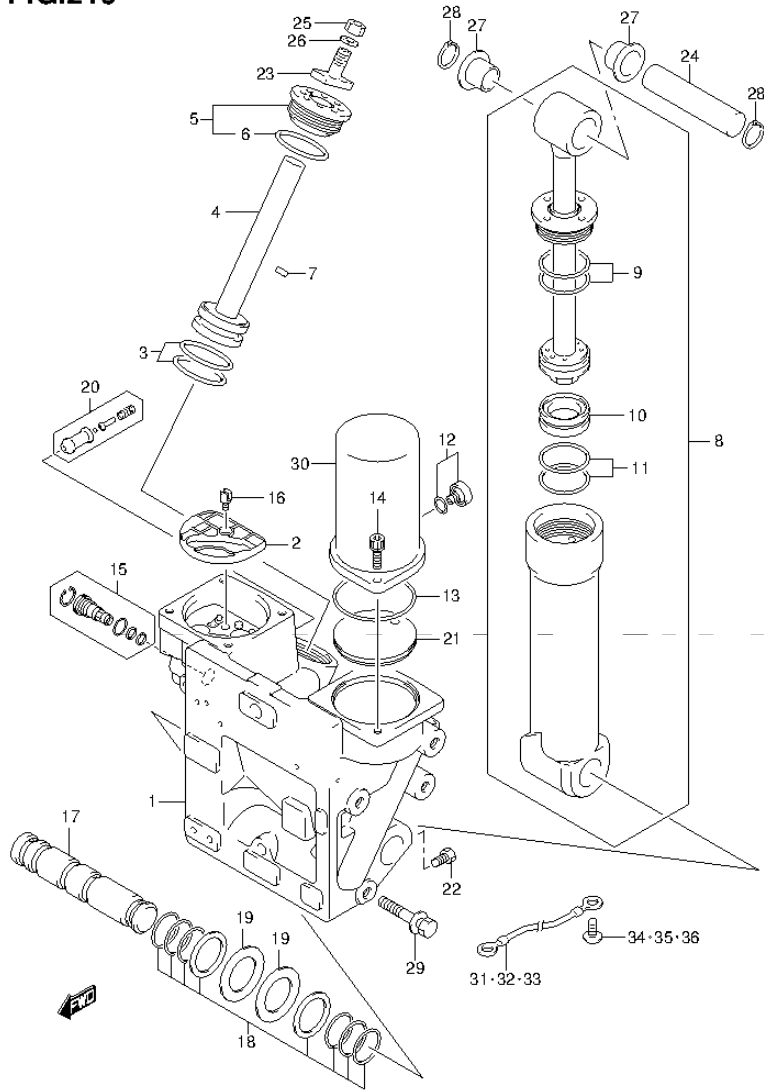


FIG.219 (3-C-6) TRIM CYLINDER TRANSOM(X,XX) (DF250Z E1)

REF NO.	PART NO.	DESCRIPTION	Q'TY	REMARKS
35	09125-06063	SCREW (6X10)	1	
36	09125-06063	SCREW (6X10)	1	

FIG.220

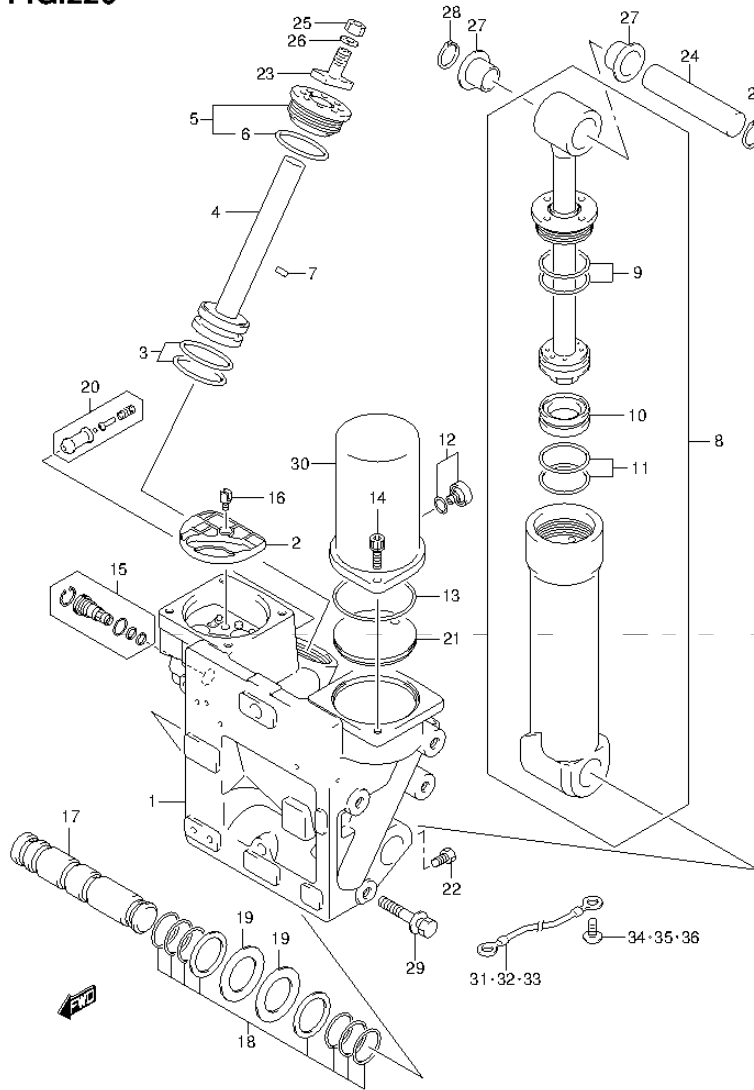


FIG.220 (3-C-7) TRIM CYLINDER TRANSOM(X,XX) (DF250Z E40)

REF NO.	PART NO.	DESCRIPTION	Q'TY	REMARKS
1	48500-93J05	MANIFOLD ASSY	1	
2	48582-95E01	FILTER	1	
3	48605-93J00	O RING SET	2	
4	48610-93J01	PISTON / RAM	2	
5	48630-98J01	ROD GUIDE	2	
6	48633-93J00	O RING	2	
7	48691-93J00	CHECK VALVE	1	
8	48400-93J06	CYLINDER ASSY	1	
9	48405-93J00	O RING SET	1	
10	48650-93J00	PISTON, FREE	1	
11	48627-93J00	O RING SET	1	
12	48572-87J10	PLUG	1	
13	48585-95E00	O RING	1	
14	48862-87J20	BOLT, RESERVOIR	2	
15	48864-93J01	MANUAL VALVE	1	
16	48583-95E00	JOINT, DRIVE	1	
17	48121-93J13	SHAFT	1	
18	48125-93J00	O RING SET	1	
19	48126-93J00	WASHER, TILT CYL TO MANIF	2	
20	48320-93J00	VALVE SET, UP BLOW	1	
21	48573-93J00	COVER	1	
22	48128-93J11	BOLT	1	
23	48311-96J10	PAD, TRIM CYL RAM	2	
24	48321-93J00	SHAFT, TILT CYL UPPER	1	
25	29141-93J20	NUT, TRIM CYL RAM	2	
26	09162-10005	LOCK WASHER	2	
27	09306-24001	BUSH	2	
28	09380-21002	CIRCLIP	2	
29	09116-10175	BOLT (10X50)	8	
30	48571-93J00	RESERVOIR TANK	1	
31	36894-87D00	LEAD, PTT TO ANODE	1	
32	36895-87D01	LEAD, PTT TO ANODE	1	
33	36895-87D01	LEAD, PTT TO ANODE	1	
34	09125-06063	SCREW (6X10)	1	

FIG.220

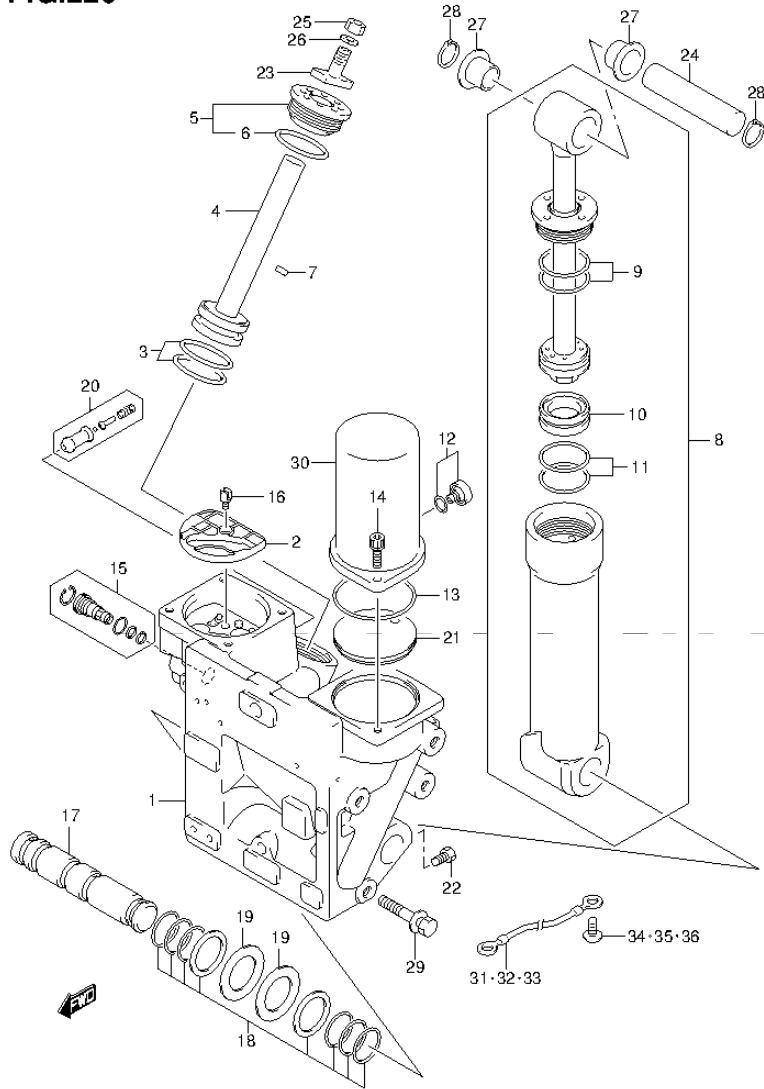


FIG.220 (3-C-8) TRIM CYLINDER TRANSOM(X,XX) (DF250Z E40)

REF NO.	PART NO.	DESCRIPTION	Q'TY	REMARKS
35	09125-06063	SCREW (6X10)	1	
36	09125-06063	SCREW (6X10)	1	

FIG.221

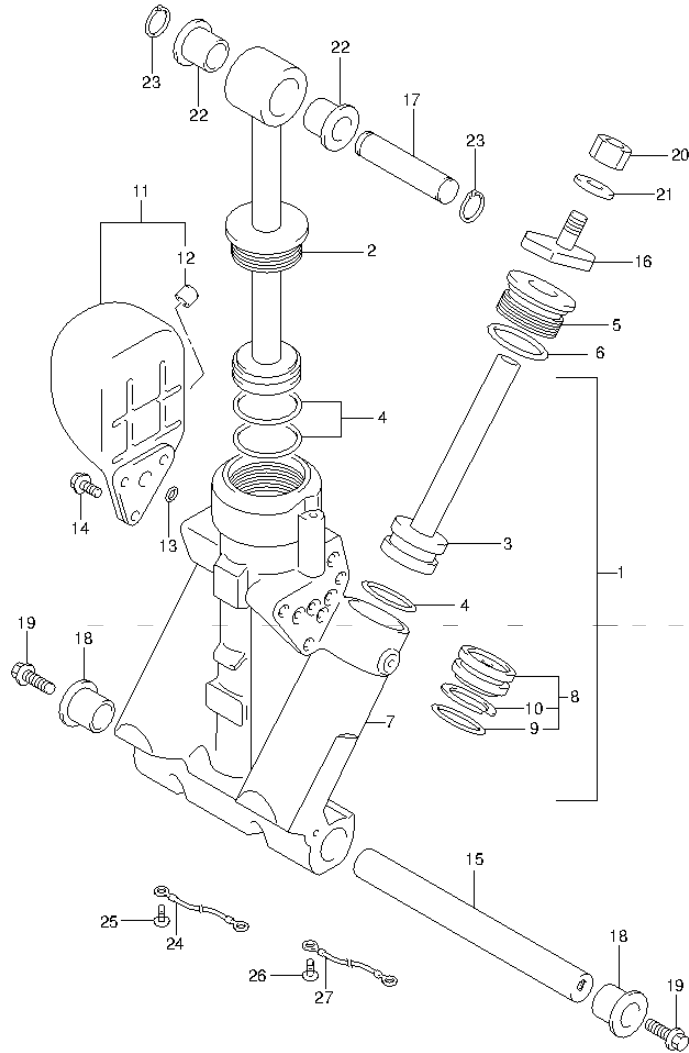


FIG.221 (3-C-9) TRIM CYLINDER TRANSOM(L) (DF200T E1)

REF NO.	PART NO.	DESCRIPTION	Q'TY	REMARKS
1	48503-93J12	MANIFOLD SUB ASSY	1	
2	48401-93J10	PISTON ASSY	1	
3	48601-94900	PISTON / RAM ASSY	2	
4	48627-95E00	O RING SET	3	
5	48630-96J02	HEAD, TRIM CYLINDER	2	
6	48633-94900	O RING SET (2PCS)	2	
7	48641-96J02	MANIFOLD, PTT	1	
8	48650-94900	PISTON, FREE	1	
9	48405-87D00	O RING	1	
10	48615-97E00	RING SET, PISTON	1	
11	48570-95E01	RESERVOIR	1	
12	48572-95E00	CAP	1	
13	48588-94900	O RING SET (6PCS)	1	
14	48861-92J01	BOLT, RESERVOIR	3	
15	48121-92J00	SHAFT, TILT CYL LOWER	1	
16	48311-96J10	PAD, TRIM CYL RAM	2	
17	48321-87D03	SHAFT, TILT CYL UPPER	1	
18	48326-95E00	BUSH, TILT CYL LOWER	2	
19	09116-10174	BOLT (10X35)	2	
20	29141-93J20	NUT, TRIM CYL RAM (M10)	2	
21	09162-10005	LOCK WASHER	2	
22	09306-17001	BUSH	2	
23	09380-17009	CIRCLIP	2	
24	36894-87D00	LEAD, PTT TO ANODE	1	
25	09125-06063	SCREW (6X10)	1	
26	09125-05050	SCREW (5X8)	1	
27	36895-87D10	LEAD, PTT TO ANODE L	1	

FIG.222

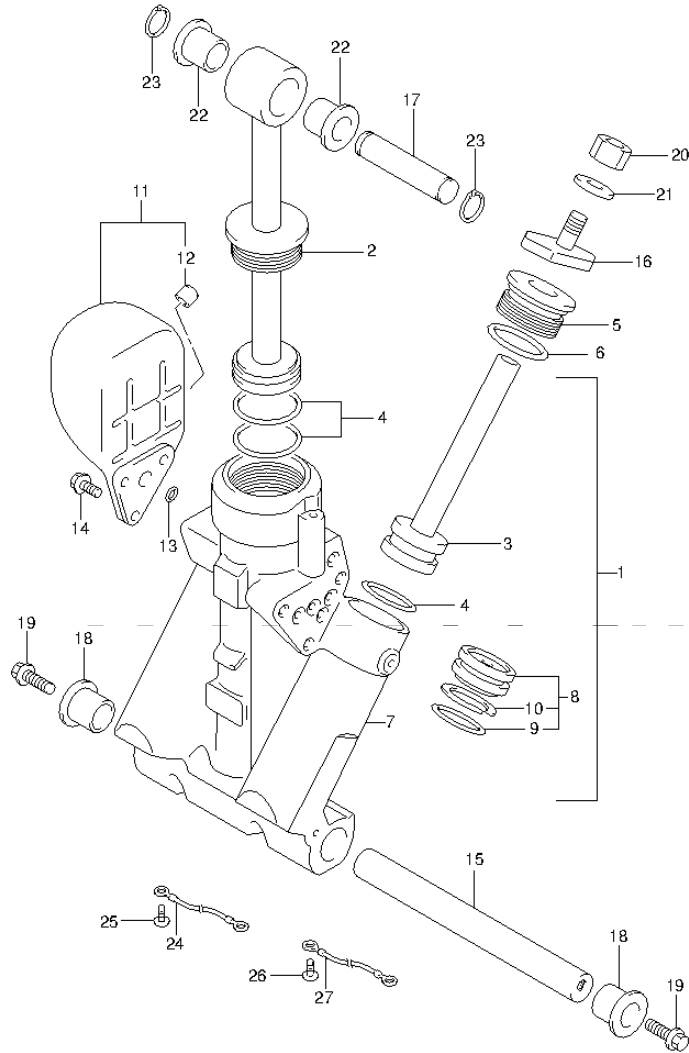


FIG.222 (3-C-10) TRIM CYLINDER TRANSOM(L) (DF200T E40)

REF NO.	PART NO.	DESCRIPTION	Q'TY	REMARKS
1	48503-93J12	MANIFOLD SUB ASSY	1	
2	48401-93J10	PISTON ASSY	1	
3	48601-94900	PISTON / RAM ASSY	2	
4	48627-95E00	O RING SET	3	
5	48630-96J02	HEAD, TRIM CYLINDER	2	
6	48633-94900	O RING SET (2PCS)	2	
7	48641-96J02	MANIFOLD, PTT	1	
8	48650-94900	PISTON, FREE	1	
9	48405-87D00	O RING	1	
10	48615-97E00	RING SET, PISTON	1	
11	48570-95E01	RESERVOIR	1	
12	48572-95E00	CAP	1	
13	48588-94900	O RING SET (6PCS)	1	
14	48861-92J01	BOLT, RESERVOIR	3	
15	48121-92J00	SHAFT, TILT CYL LOWER	1	
16	48311-96J10	PAD, TRIM CYL RAM	2	
17	48321-87D03	SHAFT, TILT CYL UPPER	1	
18	48326-95E00	BUSH, TILT CYL LOWER	2	
19	09116-10174	BOLT (10X35)	2	
20	29141-93J20	NUT, TRIM CYL RAM (M10)	2	
21	09162-10005	LOCK WASHER	2	
22	09306-17001	BUSH	2	
23	09380-17009	CIRCLIP	2	
24	36894-87D00	LEAD, PTT TO ANODE	1	
25	09125-06063	SCREW (6X10)	1	
26	09125-05050	SCREW (5X8)	1	
27	36895-87D10	LEAD, PTT TO ANODE L	1	

FIG.223

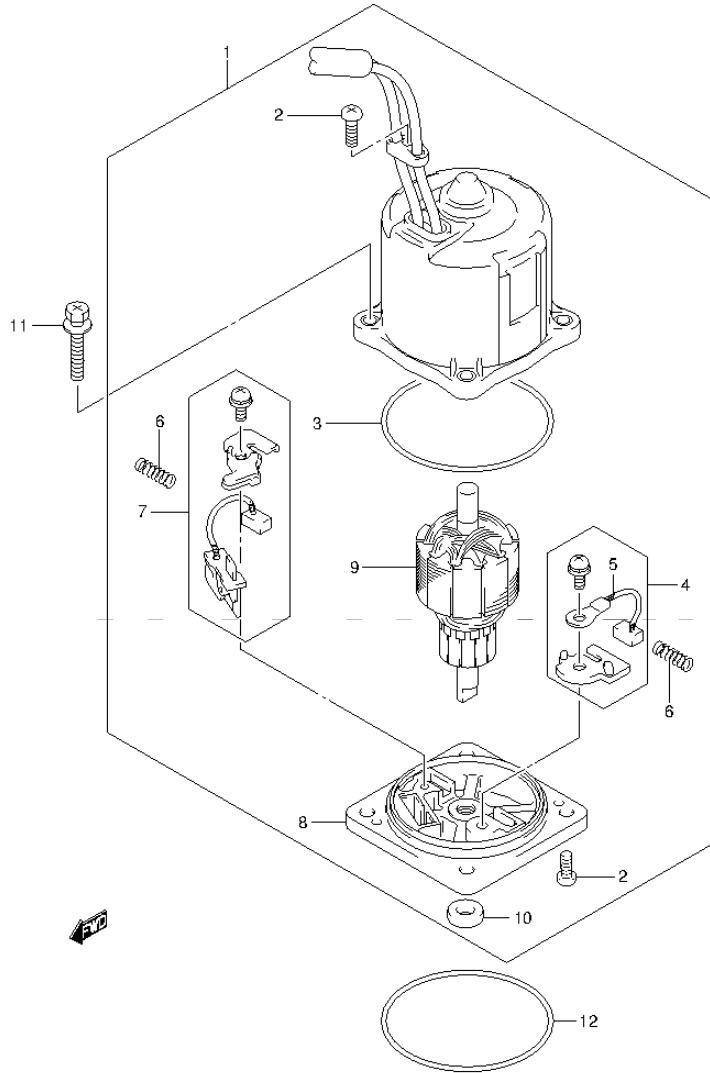


FIG.223 (3-C-11) PTT MOTOR TRANSOM(X,XX) (DF200T E1)

REF NO.	PART NO.	DESCRIPTION	Q'TY	REMARKS
1	38100-93J03	MOTOR ASSY, PTT	1	
2	31111-94900	SCREW, YOKE	3	
3	31123-94910	O RING	1	
4	31133-90J00	BRUSH SET, PLUS	1	
5	31133-94900	BRUSH	1	
6	31135-94900	SPRING	2	
7	31136-90J10	BREAKER	1	
8	31173-94910	HOLDER, BRUSH	1	
9	31311-93J00	ARMATURE	1	
10	33799-97E00	OIL SEAL	1	
11	31281-92J10	BOLT	4	
12	48585-95E00	O RING	1	

FIG.224

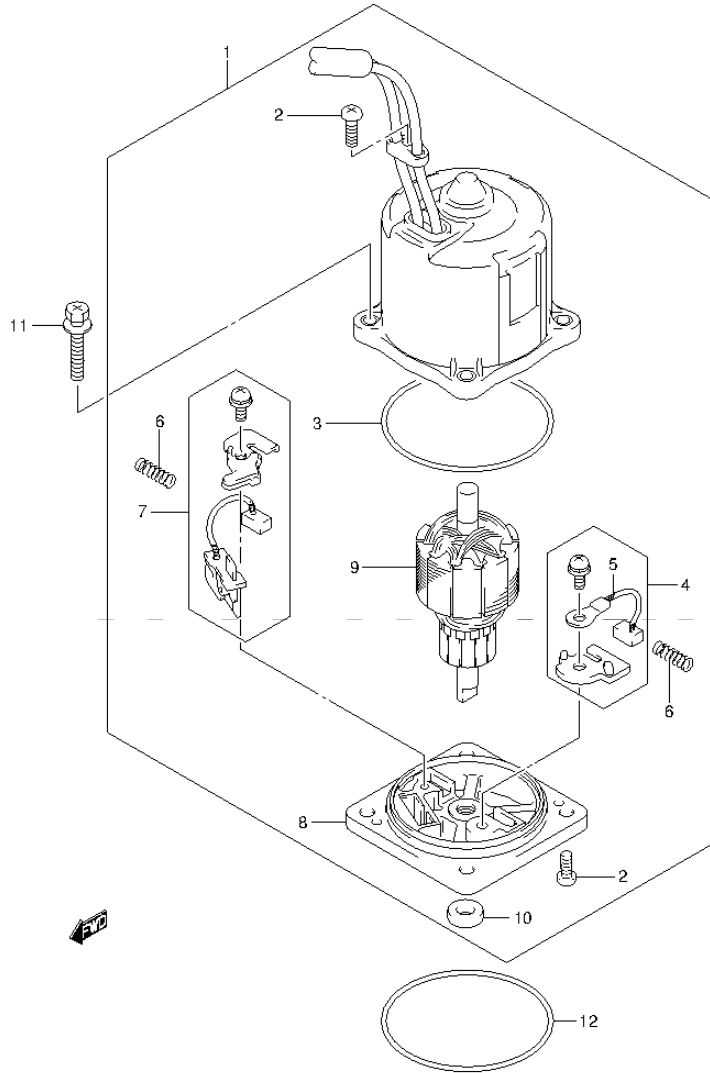


FIG.224 (3-C-12) PTT MOTOR TRANSOM(X) (DF200T E40)

REF NO.	PART NO.	DESCRIPTION	Q'TY	REMARKS
1	38100-93J03	MOTOR ASSY, PTT	1	
2	31111-94900	SCREW, YOKE	3	
3	31123-94910	O RING	1	
4	31133-90J00	BRUSH SET, PLUS	1	
5	31133-94900	BRUSH	1	
6	31135-94900	SPRING	2	
7	31136-90J10	BREAKER	1	
8	31173-94910	HOLDER, BRUSH	1	
9	31311-93J00	ARMATURE	1	
10	33799-97E00	OIL SEAL	1	
11	31281-92J10	BOLT	4	
12	48585-95E00	O RING	1	

FIG.225

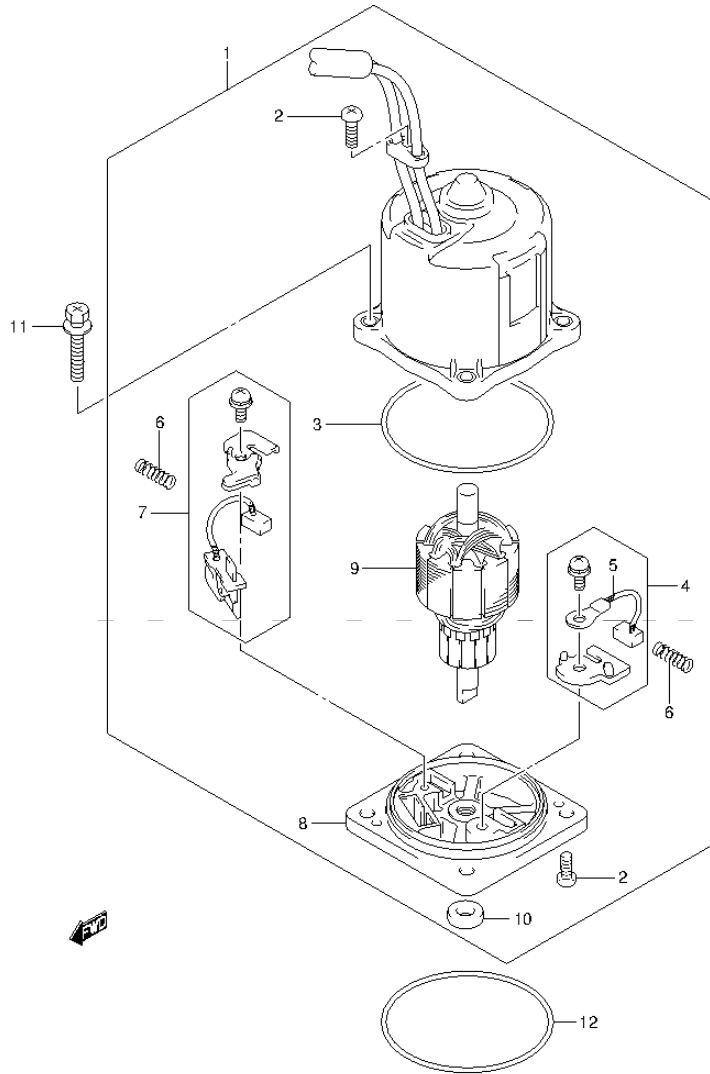


FIG.225 (3-C-13) PTT MOTOR TRANSOM(X,XX) (DF200Z E1)

REF NO.	PART NO.	DESCRIPTION	Q'TY	REMARKS
1	38100-93J03	MOTOR ASSY, PTT	1	
2	31111-94900	SCREW, YOKE	3	
3	31123-94910	O RING	1	
4	31133-90J00	BRUSH SET, PLUS	1	
5	31133-94900	BRUSH	1	
6	31135-94900	SPRING	2	
7	31136-90J10	BREAKER	1	
8	31173-94910	HOLDER, BRUSH	1	
9	31311-93J00	ARMATURE	1	
10	33799-97E00	OIL SEAL	1	
11	31281-92J10	BOLT	4	
12	48585-95E00	O RING	1	

FIG.226

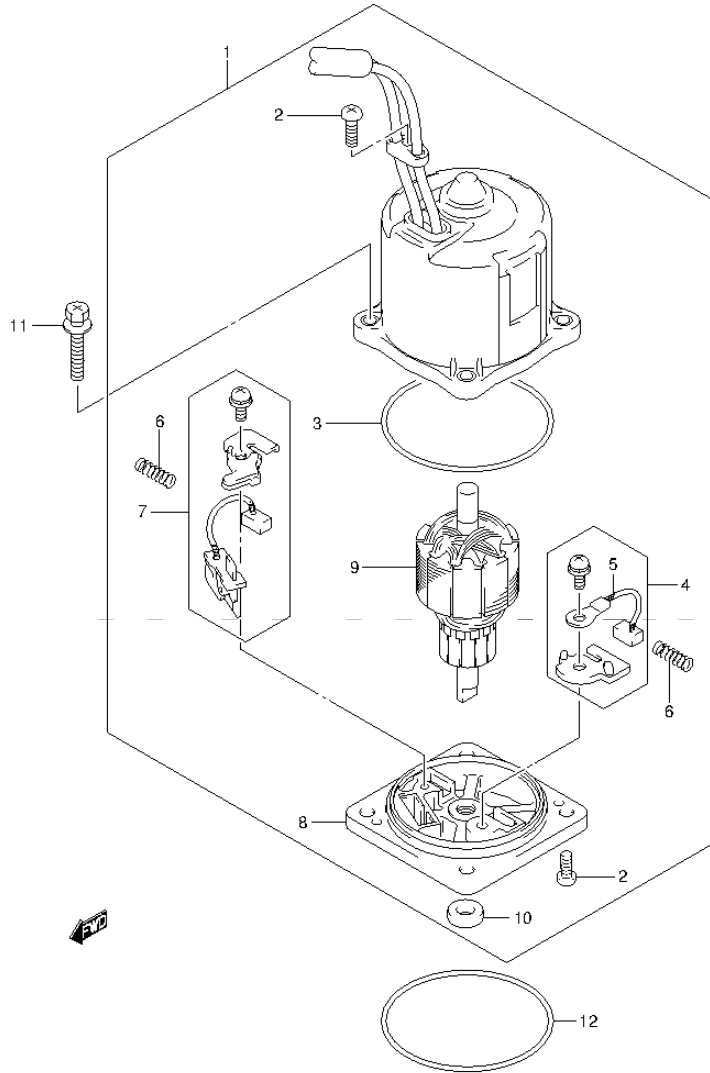


FIG.226 (3-C-14) PTT MOTOR TRANSOM(X) (DF200Z E40)

REF NO.	PART NO.	DESCRIPTION	Q'TY	REMARKS
1	38100-93J03	MOTOR ASSY, PTT	1	
2	31111-94900	SCREW, YOKE	3	
3	31123-94910	O RING	1	
4	31133-90J00	BRUSH SET, PLUS	1	
5	31133-94900	BRUSH	1	
6	31135-94900	SPRING	2	
7	31136-90J10	BREAKER	1	
8	31173-94910	HOLDER, BRUSH	1	
9	31311-93J00	ARMATURE	1	
10	33799-97E00	OIL SEAL	1	
11	31281-92J10	BOLT	4	
12	48585-95E00	O RING	1	

FIG.227

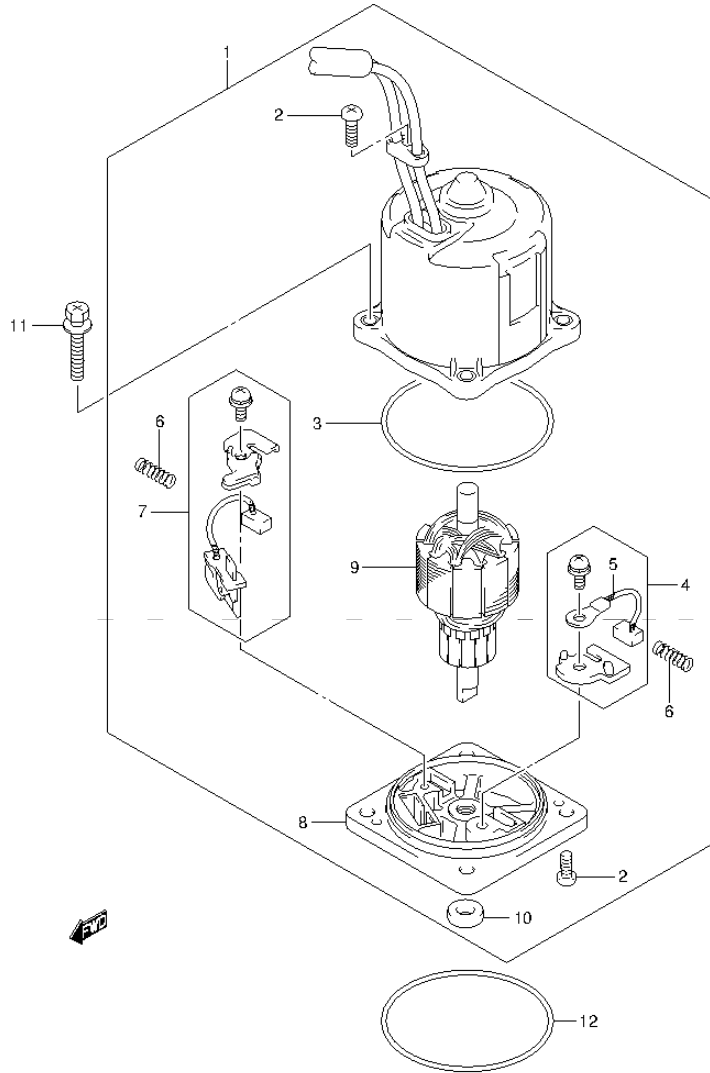


FIG.227 (3-C-15) PTT MOTOR TRANSOM(X,XX) (DF225T E1)

REF NO.	PART NO.	DESCRIPTION	Q'TY	REMARKS
1	38100-93J03	MOTOR ASSY, PTT	1	
2	31111-94900	SCREW, YOKE	3	
3	31123-94910	O RING	1	
4	31133-90J00	BRUSH SET, PLUS	1	
5	31133-94900	BRUSH	1	
6	31135-94900	SPRING	2	
7	31136-90J10	BREAKER	1	
8	31173-94910	HOLDER, BRUSH	1	
9	31311-93J00	ARMATURE	1	
10	33799-97E00	OIL SEAL	1	
11	31281-92J10	BOLT	4	
12	48585-95E00	O RING	1	

FIG.228

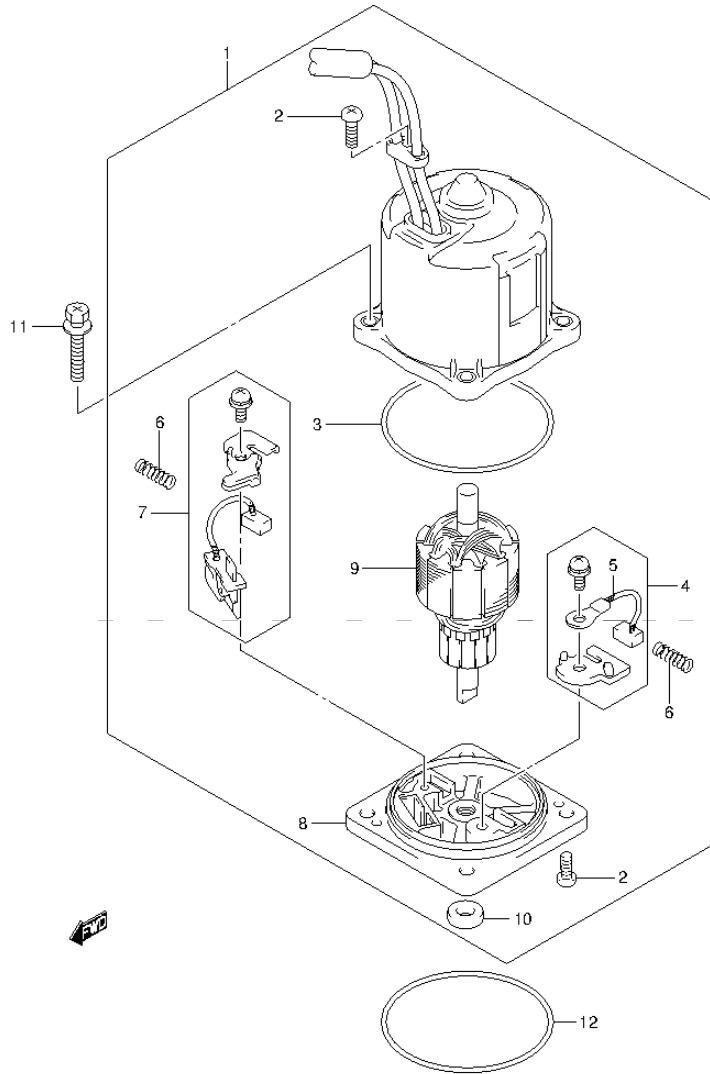


FIG.228 (3-D-2) PTT MOTOR TRANSOM(X,XX) (DF225T E40)

REF NO.	PART NO.	DESCRIPTION	Q'TY	REMARKS
1	38100-93J03	MOTOR ASSY, PTT	1	
2	31111-94900	SCREW, YOKE	3	
3	31123-94910	O RING	1	
4	31133-90J00	BRUSH SET, PLUS	1	
5	31133-94900	BRUSH	1	
6	31135-94900	SPRING	2	
7	31136-90J10	BREAKER	1	
8	31173-94910	HOLDER, BRUSH	1	
9	31311-93J00	ARMATURE	1	
10	33799-97E00	OIL SEAL	1	
11	31281-92J10	BOLT	4	
12	48585-95E00	O RING	1	

FIG.229

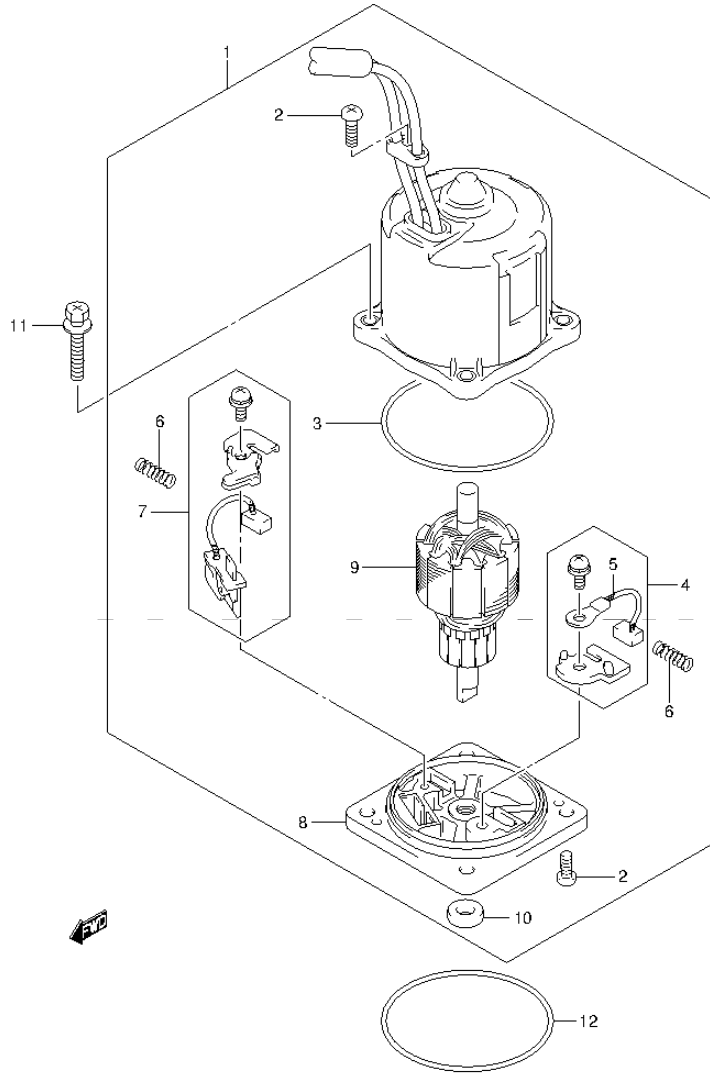


FIG.229 (3-D-3) PTT MOTOR TRANSOM(X,XX) (DF225Z E1)

REF NO.	PART NO.	DESCRIPTION	Q'TY	REMARKS
1	38100-93J03	MOTOR ASSY, PTT	1	
2	31111-94900	SCREW, YOKE	3	
3	31123-94910	O RING	1	
4	31133-90J00	BRUSH SET, PLUS	1	
5	31133-94900	BRUSH	1	
6	31135-94900	SPRING	2	
7	31136-90J10	BREAKER	1	
8	31173-94910	HOLDER, BRUSH	1	
9	31311-93J00	ARMATURE	1	
10	33799-97E00	OIL SEAL	1	
11	31281-92J10	BOLT	4	
12	48585-95E00	O RING	1	

FIG.230

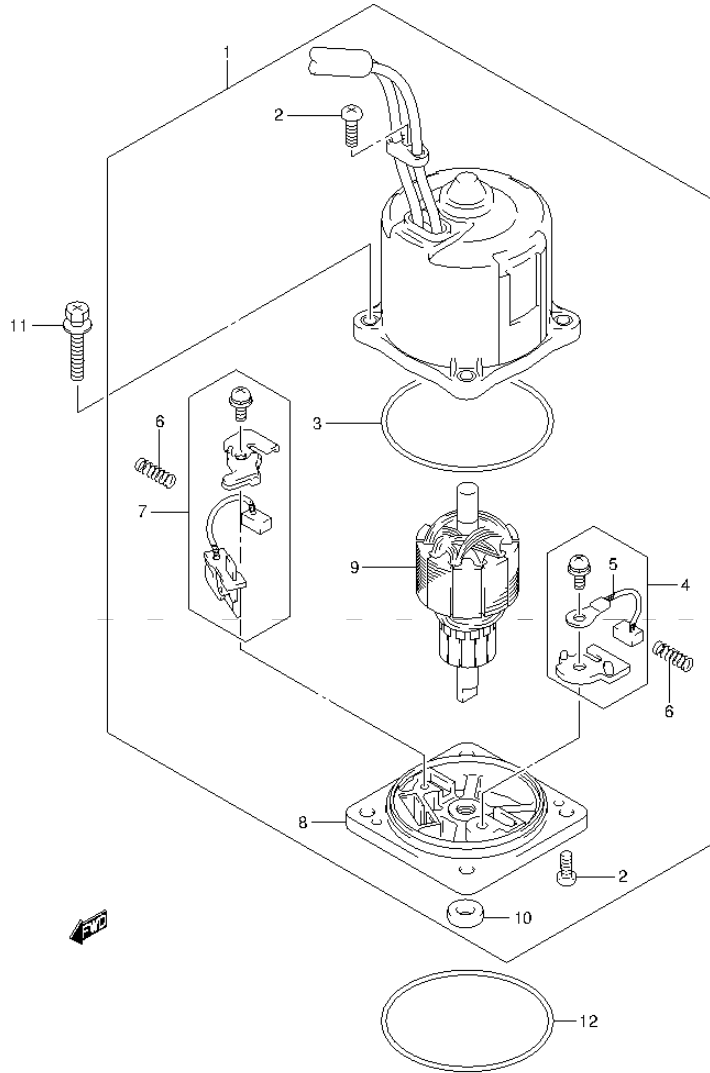


FIG.230 (3-D-4) PTT MOTOR TRANSOM(X,XX) (DF225Z E40)

REF NO.	PART NO.	DESCRIPTION	Q'TY	REMARKS
1	38100-93J03	MOTOR ASSY, PTT	1	
2	31111-94900	SCREW, YOKE	3	
3	31123-94910	O RING	1	
4	31133-90J00	BRUSH SET, PLUS	1	
5	31133-94900	BRUSH	1	
6	31135-94900	SPRING	2	
7	31136-90J10	BREAKER	1	
8	31173-94910	HOLDER, BRUSH	1	
9	31311-93J00	ARMATURE	1	
10	33799-97E00	OIL SEAL	1	
11	31281-92J10	BOLT	4	
12	48585-95E00	O RING	1	

FIG.231

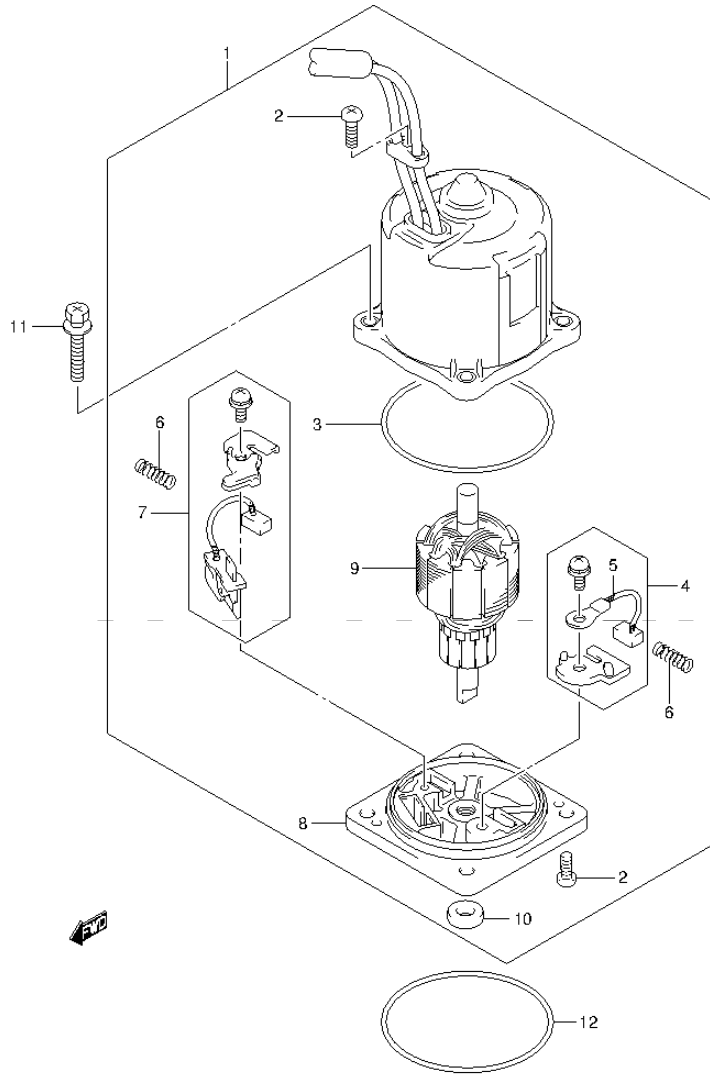


FIG.231 (3-D-5) PTT MOTOR TRANSOM(X,XX) (DF250T E1)

REF NO.	PART NO.	DESCRIPTION	Q'TY	REMARKS
1	38100-93J03	MOTOR ASSY, PTT	1	
2	31111-94900	SCREW, YOKE	3	
3	31123-94910	O RING	1	
4	31133-90J00	BRUSH SET, PLUS	1	
5	31133-94900	BRUSH	1	
6	31135-94900	SPRING	2	
7	31136-90J10	BREAKER	1	
8	31173-94910	HOLDER, BRUSH	1	
9	31311-93J00	ARMATURE	1	
10	33799-97E00	OIL SEAL	1	
11	31281-92J10	BOLT	4	
12	48585-95E00	O RING	1	

FIG.232

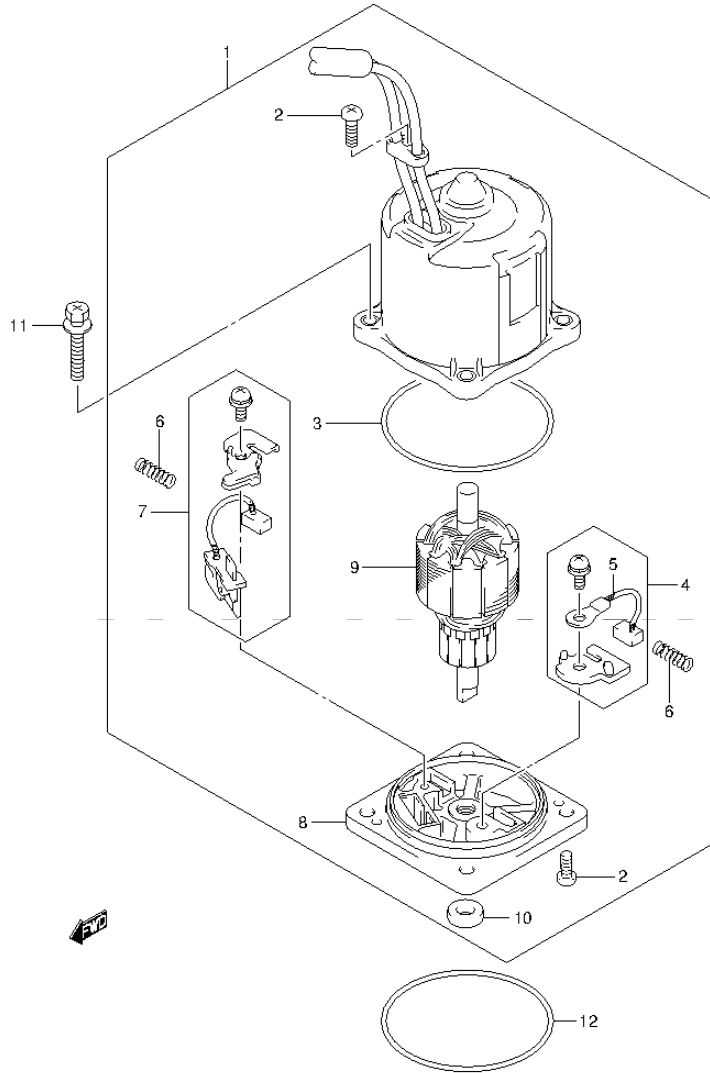


FIG.232 (3-D-6) PTT MOTOR TRANSOM(X,XX) (DF250T E40)

REF NO.	PART NO.	DESCRIPTION	Q'TY	REMARKS
1	38100-93J03	MOTOR ASSY, PTT	1	
2	31111-94900	SCREW, YOKE	3	
3	31123-94910	O RING	1	
4	31133-90J00	BRUSH SET, PLUS	1	
5	31133-94900	BRUSH	1	
6	31135-94900	SPRING	2	
7	31136-90J10	BREAKER	1	
8	31173-94910	HOLDER, BRUSH	1	
9	31311-93J00	ARMATURE	1	
10	33799-97E00	OIL SEAL	1	
11	31281-92J10	BOLT	4	
12	48585-95E00	O RING	1	

FIG.233

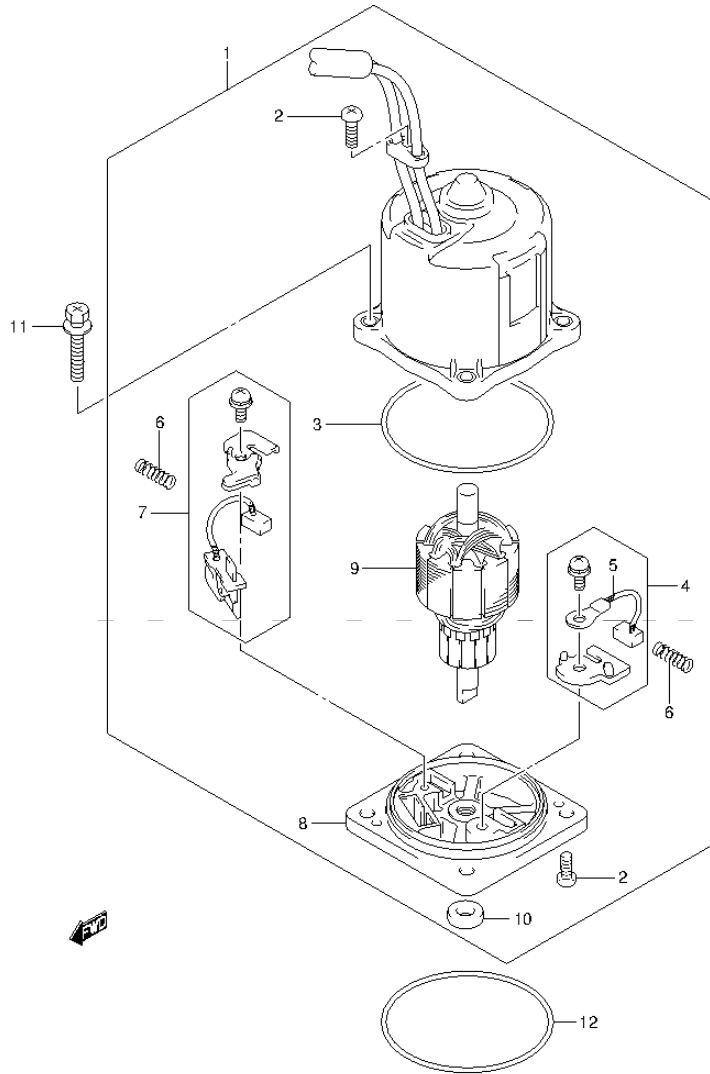


FIG.233 (3-D-7) PTT MOTOR TRANSOM(X,XX) (DF250Z E1)

REF NO.	PART NO.	DESCRIPTION	Q'TY	REMARKS
1	38100-93J03	MOTOR ASSY, PTT	1	
2	31111-94900	SCREW, YOKE	3	
3	31123-94910	O RING	1	
4	31133-90J00	BRUSH SET, PLUS	1	
5	31133-94900	BRUSH	1	
6	31135-94900	SPRING	2	
7	31136-90J10	BREAKER	1	
8	31173-94910	HOLDER, BRUSH	1	
9	31311-93J00	ARMATURE	1	
10	33799-97E00	OIL SEAL	1	
11	31281-92J10	BOLT	4	
12	48585-95E00	O RING	1	

FIG.234

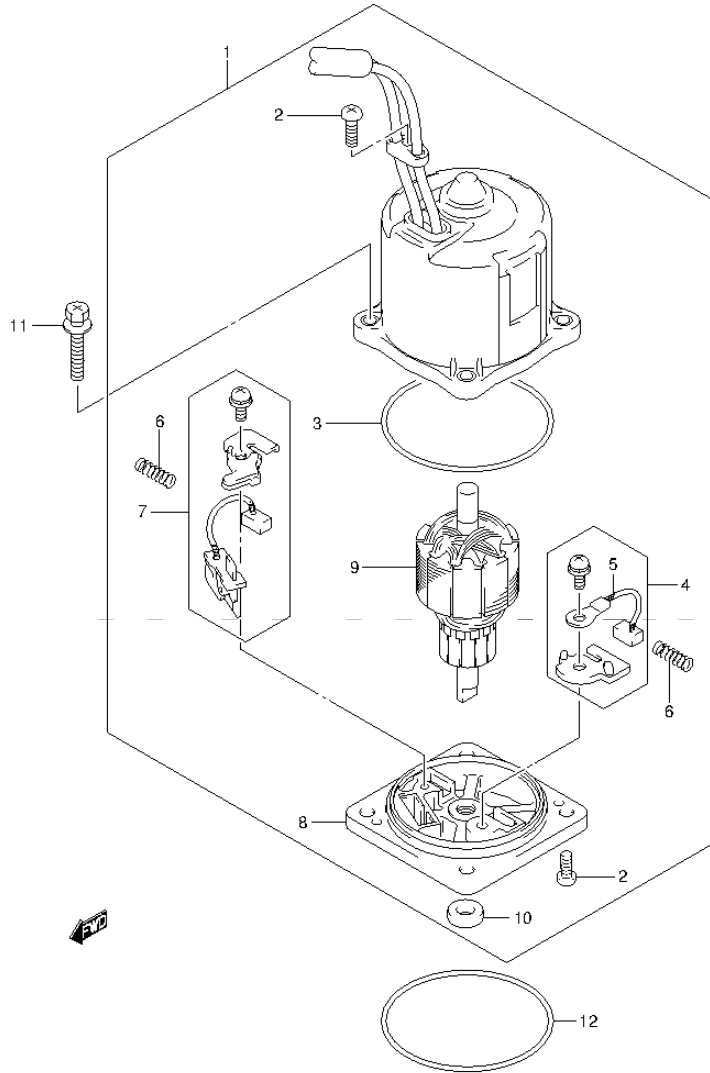


FIG.234 (3-D-8) PTT MOTOR TRANSOM(X,XX) (DF250Z E40)

REF NO.	PART NO.	DESCRIPTION	Q'TY	REMARKS
1	38100-93J03	MOTOR ASSY, PTT	1	
2	31111-94900	SCREW, YOKE	3	
3	31123-94910	O RING	1	
4	31133-90J00	BRUSH SET, PLUS	1	
5	31133-94900	BRUSH	1	
6	31135-94900	SPRING	2	
7	31136-90J10	BREAKER	1	
8	31173-94910	HOLDER, BRUSH	1	
9	31311-93J00	ARMATURE	1	
10	33799-97E00	OIL SEAL	1	
11	31281-92J10	BOLT	4	
12	48585-95E00	O RING	1	

FIG.235

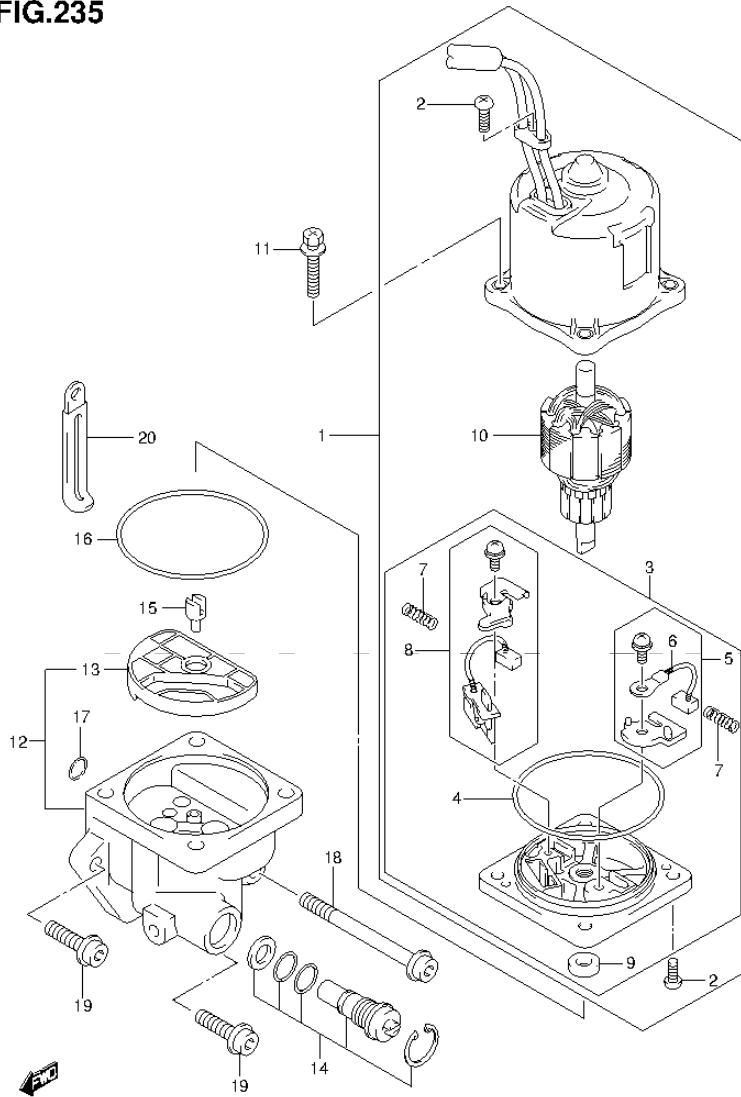


FIG.235 (3-D-9) PTT MOTOR TRANSOM(L) (DF200T E1)

REF NO.	PART NO.	DESCRIPTION	Q'TY	REMARKS
1	38100-93J11	MOTOR ASSY, PTT	1	
2	31111-94900	SCREW, YOKE	3	
3	31173-94910	HOLDER, BRUSH	1	
4	31123-94910	O RING	1	
5	31133-90J00	BRUSH SET, PLUS	1	
6	31133-94900	BRUSH	1	
7	31135-94900	SPRING	2	
8	31136-90J10	BREAKER	1	
9	33799-97E00	OIL SEAL	1	
10	31311-94900	ARMATURE	1	
11	31281-92J10	BOLT	4	
12	48502-93J14	PUMP ASSY	1	
13	48582-95E01	FILTER	1	
14	48864-96J10	VALVE, MANUAL	1	
15	48583-95E00	JOINT, DRIVE	1	
16	48585-95E00	O RING	1	
17	48588-94900	O RING SET (6PCS)	1	
18	48862-92J20	BOLT	1	
19	48862-92J30	BOLT	2	
20	29404-93J10	CLAMP	1	

FIG.237

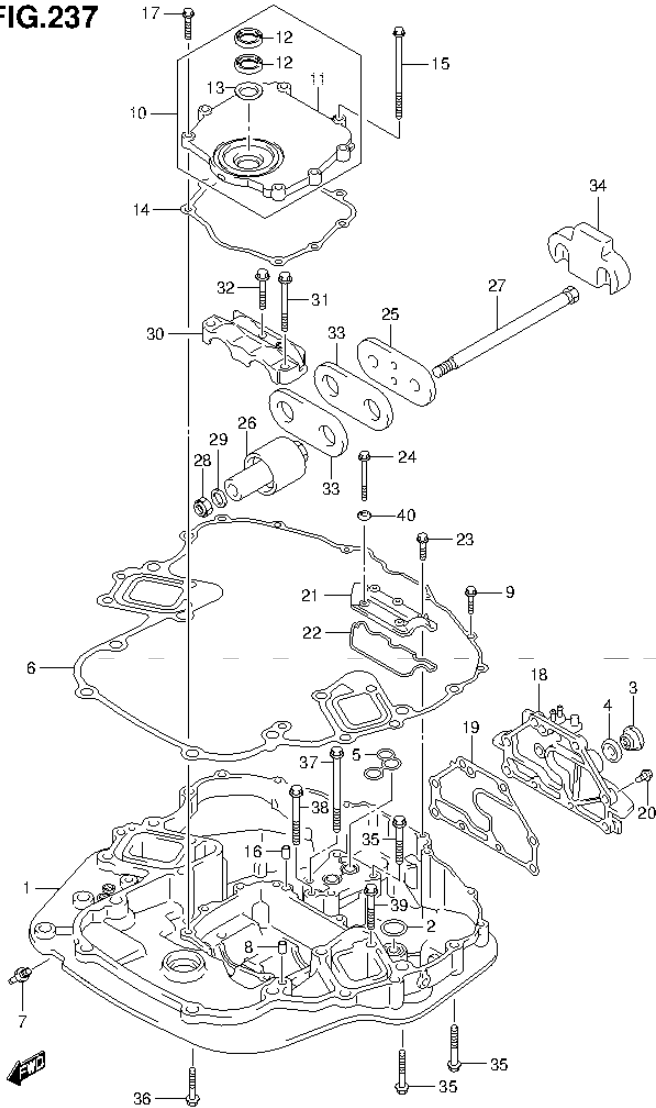


FIG.237 (3-D-11) ENGINE HOLDER (DF200T E1)

REF NO.	PART NO.	DESCRIPTION	Q'TY	REMARKS
1	51111-93J03-0EP	HOLDER, ENGINE (BLACK)	1	
2	16519-93J00	SEAL, ENGINE HOLDER OIL	1	
3	17913-93J00	PLUG, WATER	1	
4	17914-93J00	GASKET, WATER PLUG	1	
5	51116-93J00	SEAL, WATER RETURN	1	
6	51211-93J00	GASKET, ENGINE HOLDER	1	
7	61155-93J20	UNION, WATER INDICATOR	1	
8	09206-08001	PIN (8X11)	2	
9	01550-08307	BOLT	6	
10	51120-93J00	COVER, ASSY MOUNT OIL SEAL	1	
11	51122-93J02	COVER, MOUNT OIL SEAL	1	
12	51124-93J00	OIL SEAL	2	
13	51125-93J00	SCRAPER	1	
14	51123-93J00	GASKET, MOUNT OIL SEAL COVER	1	
15	09103-08109	BOLT (8X120)	2	
16	09206-08001	PIN (8X11)	2	
17	01550-0830A	BOLT	6	
18-1	51140-98J00-0EP	COVER, ENGINE HOLDER (BLACK)	1	W/TRANSOM(X,XX)
18-2	51140-93J10-0EP	COVER, ENGINE HOLDER (L) (BLACK)	1	W/TRANSOM(L)
19	51142-93J00	GASKET, ENGINE HOLDER COV	1	
20	09116-08122	BOLT (8X30)	8	
21	51151-93J00	COVER, ENGINE HOLDER UPPER	1	
22	51152-93J00	SEAL, ENGINE HOLDER UPPER COV	1	
23	01550-08307	BOLT	3	
24	01550-08607	BOLT	2	
25	54123-93J02	PLATE, UPPER MOUNT	1	
26	54130-93J01	MOUNT, UPPER	2	
27	09100-14004	BOLT (14X220)	2	
28	09159-14026	NUT	2	
29	09160-15051	WASHER (15X24X3)	2	
30	54137-93J02	COVER, UPPER MOUNT	1	
31	09116-10135	BOLT (10X95)	2	
32	09116-10175	BOLT (10X50)	1	

FIG.237

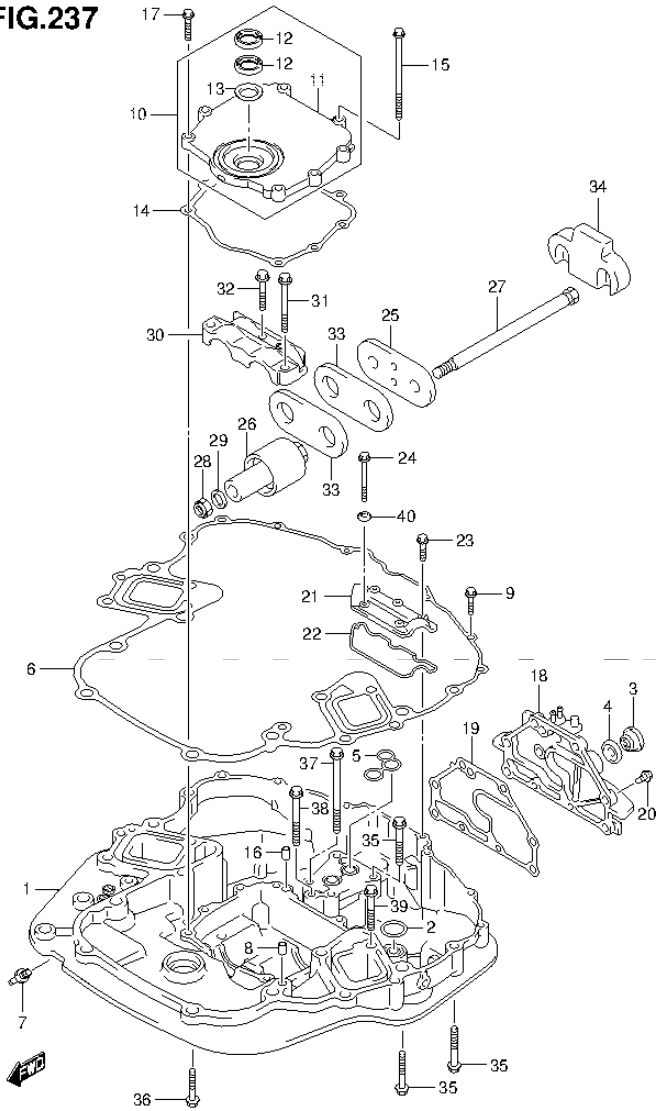


FIG.237 (3-D-12) ENGINE HOLDER (DF200T E1)

REF NO.	PART NO.	DESCRIPTION	Q'TY	REMARKS
33	54121-98J00	STOPPER, UPPER THRUST	2	
34	54125-93J00	MOUNT, UPPER THRUST REVERSE	1	
35	09116-10137	BOLT (10X70)	6	
36	09116-10175	BOLT (10X50)	4	
37	09116-10146	BOLT (10X195)	2	
38	09116-10134	BOLT (10X115)	1	
39	09116-08126	BOLT (8X65)	4	
40	09169-08038	WASHER (8.3X15X3)	2	

FIG.238

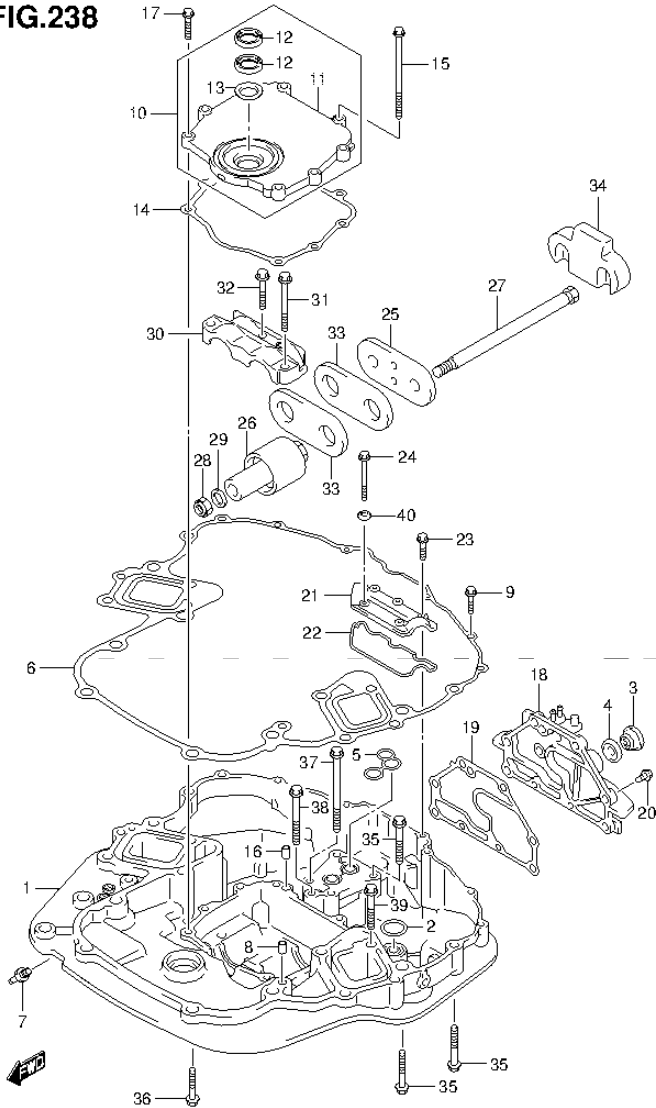


FIG.238 (3-D-13) ENGINE HOLDER (DF200T E40)

REF NO.	PART NO.	DESCRIPTION	Q'TY	REMARKS
1	51111-93J03-0EP	HOLDER, ENGINE (BLACK)	1	
2	16519-93J00	SEAL, ENGINE HOLDER OIL	1	
3	17913-93J00	PLUG, WATER	1	
4	17914-93J00	GASKET, WATER PLUG	1	
5	51116-93J00	SEAL, WATER RETURN	1	
6	51211-93J00	GASKET, ENGINE HOLDER	1	
7	61155-93J20	UNION, WATER INDICATOR	1	
8	09206-08001	PIN (8X11)	2	
9	01550-08307	BOLT	6	
10	51120-93J00	COVER, ASSY MOUNT OIL SEAL	1	
11	51122-93J02	COVER, MOUNT OIL SEAL	1	
12	51124-93J00	OIL SEAL	2	
13	51125-93J00	SCRAPER	1	
14	51123-93J00	GASKET, MOUNT OIL SEAL COVER	1	
15	09103-08109	BOLT (8X120)	2	
16	09206-08001	PIN (8X11)	2	
17	01550-0830A	BOLT	6	
18-1	51140-98J00-0EP	COVER, ENGINE HOLDER (BLACK)	1	W/TRANSOM(X)
18-2	51140-93J10-0EP	COVER, ENGINE HOLDER (L) (BLACK)	1	W/TRANSOM(L)
19	51142-93J00	GASKET, ENGINE HOLDER COV	1	
20	09116-08122	BOLT (8X30)	8	
21	51151-93J00	COVER, ENGINE HOLDER UPPER	1	
22	51152-93J00	SEAL, ENGINE HOLDER UPPER COV	1	
23	01550-08307	BOLT	3	
24	01550-08607	BOLT	2	
25	54123-93J02	PLATE, UPPER MOUNT	1	
26	54130-93J01	MOUNT, UPPER	2	
27	09100-14004	BOLT (14X220)	2	
28	09159-14026	NUT	2	
29	09160-15051	WASHER (15X24X3)	2	
30	54137-93J02	COVER, UPPER MOUNT	1	
31	09116-10135	BOLT (10X95)	2	
32	09116-10175	BOLT (10X50)	1	

FIG.238

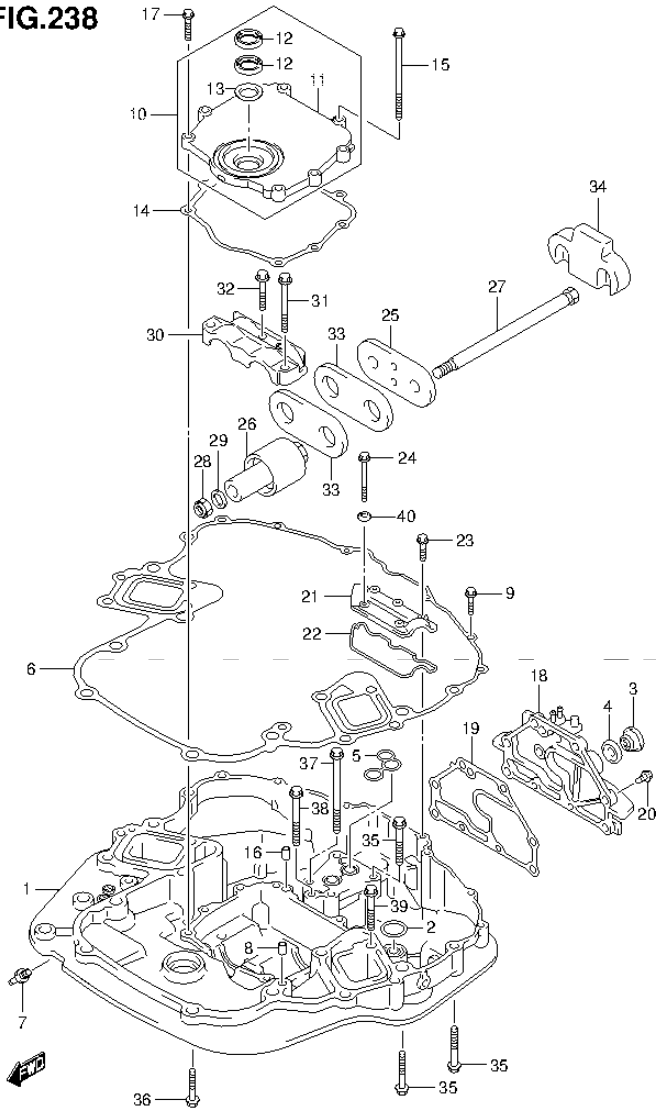


FIG.238 (3-D-14) ENGINE HOLDER (DF200T E40)

REF NO.	PART NO.	DESCRIPTION	Q'TY	REMARKS
33	54121-98J00	STOPPER, UPPER THRUST	2	
34	54125-93J00	MOUNT, UPPER THRUST REVERSE	1	
35	09116-10137	BOLT (10X70)	6	
36	09116-10175	BOLT (10X50)	4	
37	09116-10146	BOLT (10X195)	2	
38	09116-10134	BOLT (10X115)	1	
39	09116-08126	BOLT (8X65)	4	
40	09169-08038	WASHER (8.3X15X3)	2	

FIG.239

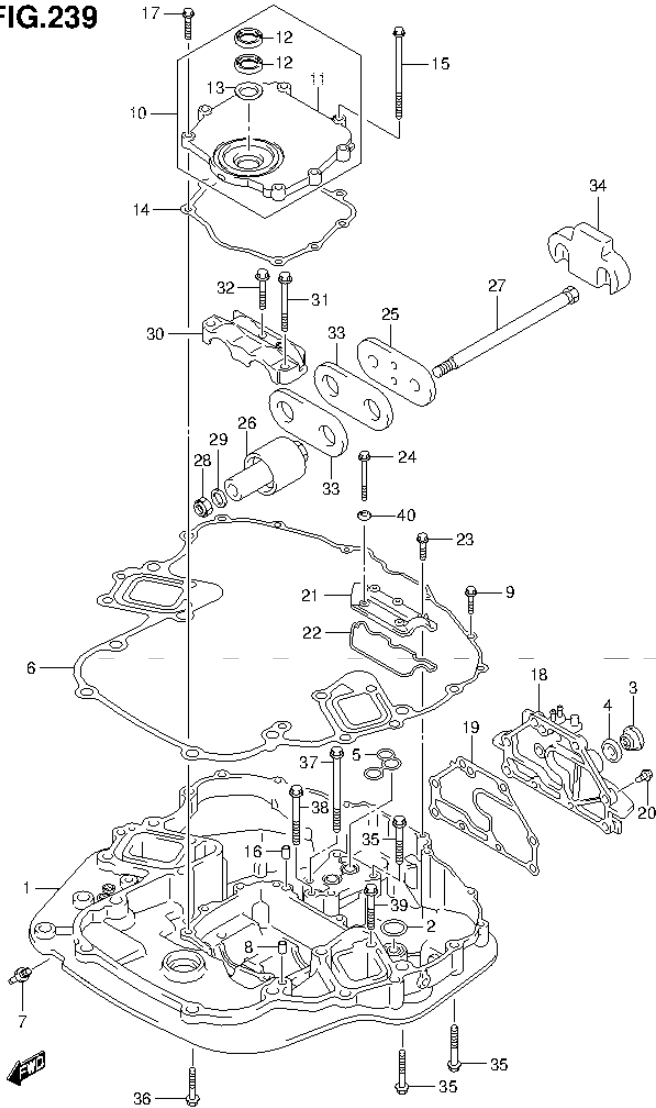


FIG.239 (3-D-15) ENGINE HOLDER (DF200Z E1)

REF NO.	PART NO.	DESCRIPTION	Q'TY	REMARKS
1	51111-93J03-0EP	HOLDER, ENGINE (BLACK)	1	
2	16519-93J00	SEAL, ENGINE HOLDER OIL	1	
3	17913-93J00	PLUG, WATER	1	
4	17914-93J00	GASKET, WATER PLUG	1	
5	51116-93J00	SEAL, WATER RETURN	1	
6	51211-93J00	GASKET, ENGINE HOLDER	1	
7	61155-93J20	UNION, WATER INDICATOR	1	
8	09206-08001	PIN (8X11)	2	
9	01550-08307	BOLT	6	
10	51120-93J00	COVER, ASSY MOUNT OIL SEAL	1	
11	51122-93J02	COVER, MOUNT OIL SEAL	1	
12	51124-93J00	OIL SEAL	2	
13	51125-93J00	SCRAPER	1	
14	51123-93J00	GASKET, MOUNT OIL SEAL COVER	1	
15	09103-08109	BOLT (8X120)	2	
16	09206-08001	PIN (8X11)	2	
17	01550-0830A	BOLT	6	
18	51140-98J00-0EP	COVER, ENGINE HOLDER (BLACK)	1	
19	51142-93J00	GASKET, ENGINE HOLDER COV	1	
20	09116-08122	BOLT (8X30)	8	
21	51151-93J00	COVER, ENGINE HOLDER UPPER	1	
22	51152-93J00	SEAL, ENGINE HOLDER UPPER COV	1	
23	01550-08307	BOLT	3	
24	01550-08607	BOLT	2	
25	54123-93J02	PLATE, UPPER MOUNT	1	
26	54130-93J01	MOUNT, UPPER	2	
27	09100-14004	BOLT (14X220)	2	
28	09159-14026	NUT	2	
29	09160-15051	WASHER (15X24X3)	2	
30	54137-93J02	COVER, UPPER MOUNT	1	
31	09116-10135	BOLT (10X95)	2	
32	09116-10175	BOLT (10X50)	1	
33	54121-98J00	STOPPER, UPPER THRUST	2	
34	54125-93J00	MOUNT, UPPER THRUST REVERSE	1	

FIG.239

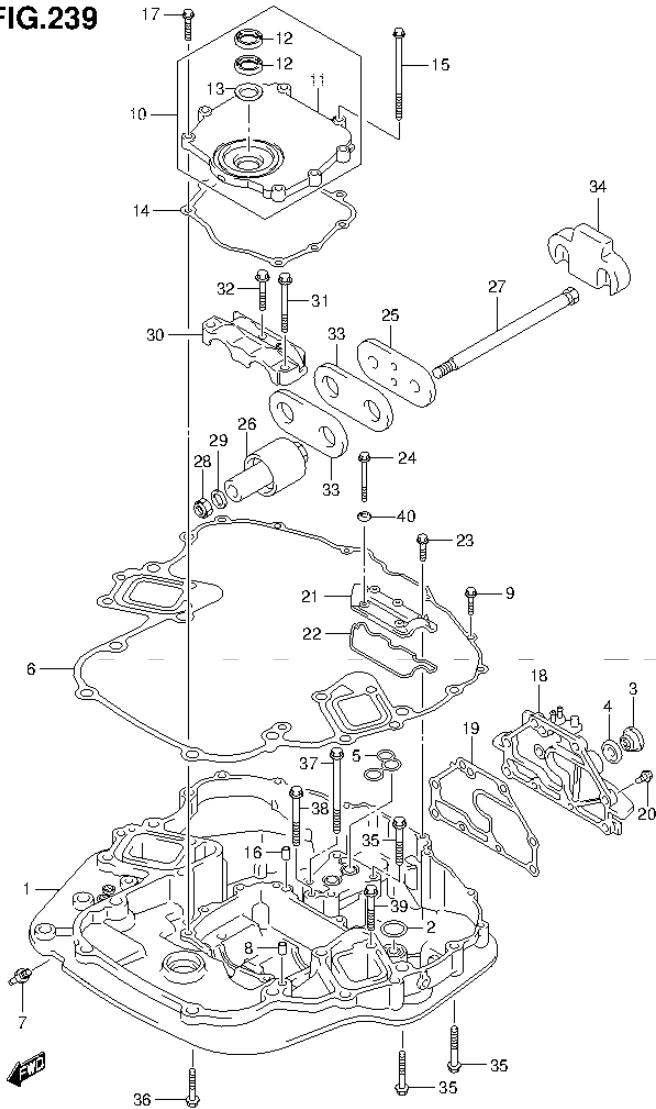


FIG.239 (3-E-2) ENGINE HOLDER (DF200Z E1)

REF NO.	PART NO.	DESCRIPTION	Q'TY	REMARKS
35	09116-10137	BOLT (10X70)	6	
36	09116-10175	BOLT (10X50)	4	
37	09116-10146	BOLT (10X195)	2	
38	09116-10134	BOLT (10X115)	1	
39	09116-08126	BOLT (8X65)	4	
40	09169-08038	WASHER (8.3X15X3)	2	

FIG.240

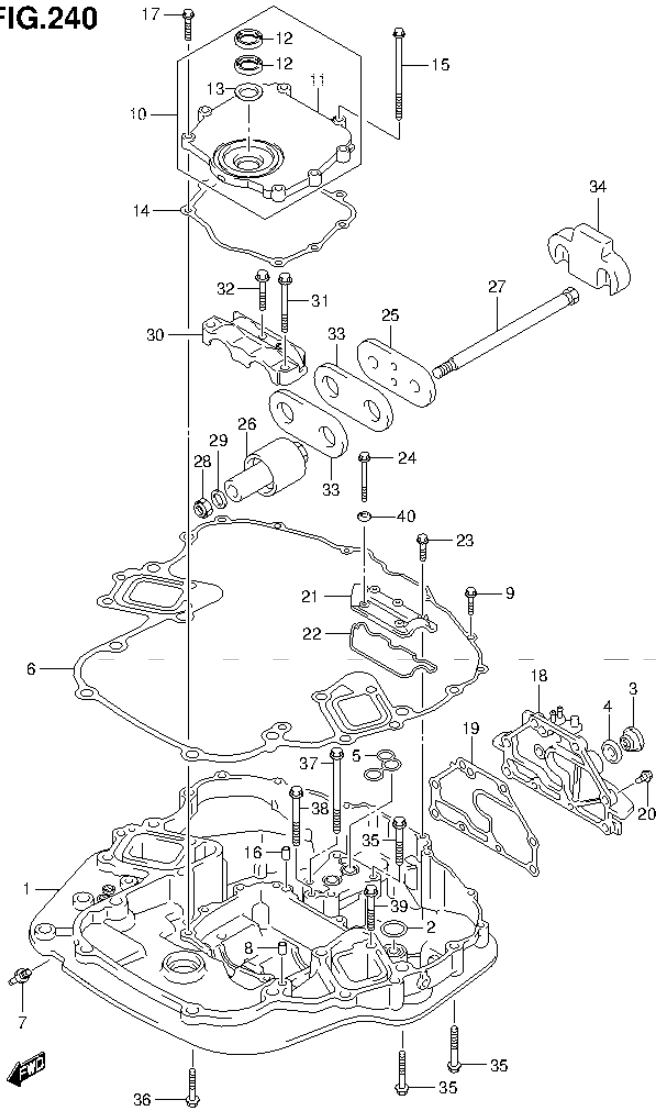


FIG.240 (3-E-3) ENGINE HOLDER (DF200Z E40)

REF NO.	PART NO.	DESCRIPTION	Q'TY	REMARKS
1	51111-93J03-0EP	HOLDER, ENGINE (BLACK)	1	
2	16519-93J00	SEAL, ENGINE HOLDER OIL	1	
3	17913-93J00	PLUG, WATER	1	
4	17914-93J00	GASKET, WATER PLUG	1	
5	51116-93J00	SEAL, WATER RETURN	1	
6	51211-93J00	GASKET, ENGINE HOLDER	1	
7	61155-93J20	UNION, WATER INDICATOR	1	
8	09206-08001	PIN (8X11)	2	
9	01550-08307	BOLT	6	
10	51120-93J00	COVER, ASSY MOUNT OIL SEAL	1	
11	51122-93J02	COVER, MOUNT OIL SEAL	1	
12	51124-93J00	OIL SEAL	2	
13	51125-93J00	SCRAPER	1	
14	51123-93J00	GASKET, MOUNT OIL SEAL COVER	1	
15	09103-08109	BOLT (8X120)	2	
16	09206-08001	PIN (8X11)	2	
17	01550-0830A	BOLT	6	
18	51140-98J00-0EP	COVER, ENGINE HOLDER (BLACK)	1	
19	51142-93J00	GASKET, ENGINE HOLDER COV	1	
20	09116-08122	BOLT (8X30)	8	
21	51151-93J00	COVER, ENGINE HOLDER UPPER	1	
22	51152-93J00	SEAL, ENGINE HOLDER UPPER COV	1	
23	01550-08307	BOLT	3	
24	01550-08607	BOLT	2	
25	54123-93J02	PLATE, UPPER MOUNT	1	
26	54130-93J01	MOUNT, UPPER	2	
27	09100-14004	BOLT (14X220)	2	
28	09159-14026	NUT	2	
29	09160-15051	WASHER (15X24X3)	2	
30	54137-93J02	COVER, UPPER MOUNT	1	
31	09116-10135	BOLT (10X95)	2	
32	09116-10175	BOLT (10X50)	1	
33	54121-98J00	STOPPER, UPPER THRUST	2	
34	54125-93J00	MOUNT, UPPER THRUST REVERSE	1	

FIG.240

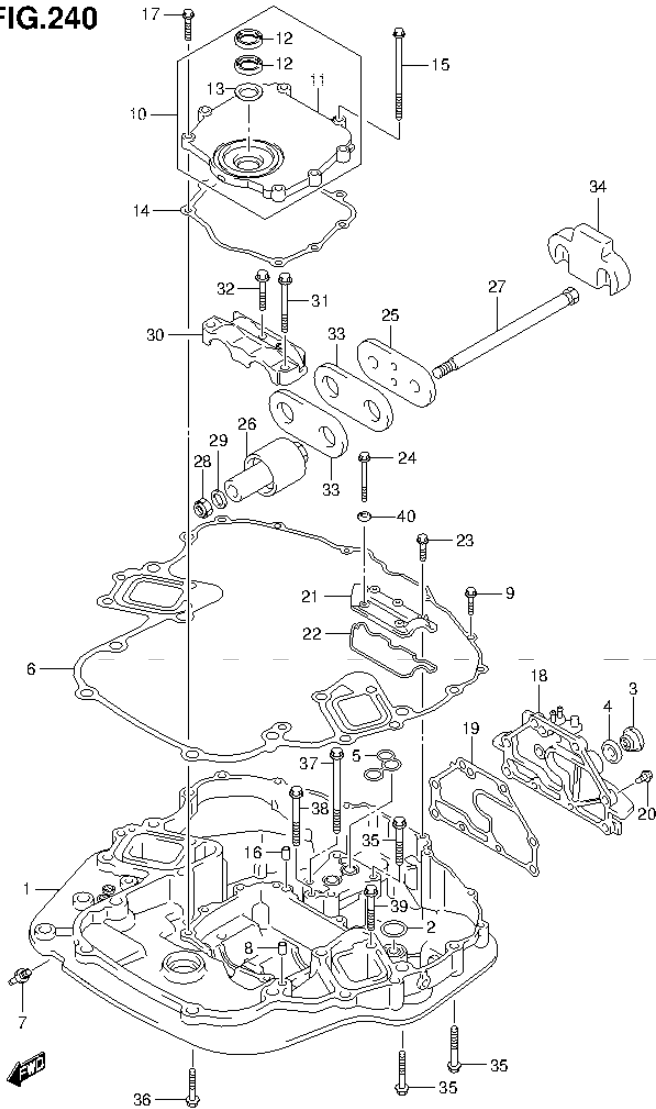


FIG.240 (3-E-4) ENGINE HOLDER (DF200Z E40)

REF NO.	PART NO.	DESCRIPTION	Q'TY	REMARKS
35	09116-10137	BOLT (10X70)	6	
36	09116-10175	BOLT (10X50)	4	
37	09116-10146	BOLT (10X195)	2	
38	09116-10134	BOLT (10X115)	1	
39	09116-08126	BOLT (8X65)	4	
40	09169-08038	WASHER (8.3X15X3)	2	

FIG.241

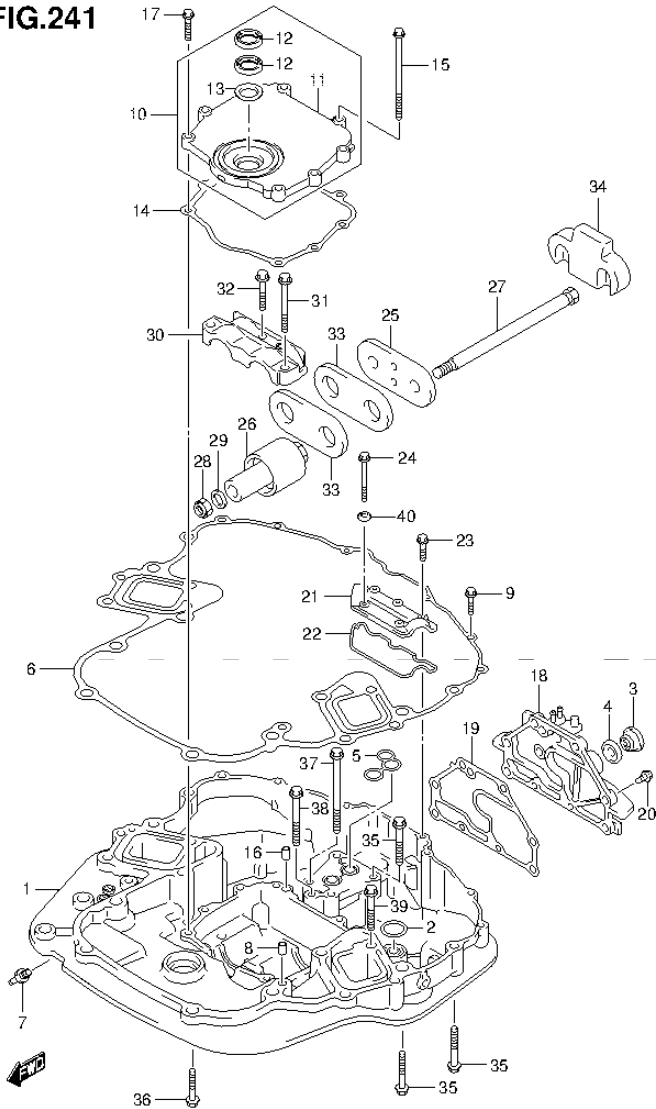


FIG.241 (3-E-5) ENGINE HOLDER (DF225T E1)

REF NO.	PART NO.	DESCRIPTION	Q'TY	REMARKS
1	51111-93J03-0EP	HOLDER, ENGINE (BLACK)	1	
2	16519-93J00	SEAL, ENGINE HOLDER OIL	1	
3	17913-93J00	PLUG, WATER	1	
4	17914-93J00	GASKET, WATER PLUG	1	
5	51116-93J00	SEAL, WATER RETURN	1	
6	51211-93J00	GASKET, ENGINE HOLDER	1	
7	61155-93J20	UNION, WATER INDICATOR	1	
8	09206-08001	PIN (8X11)	2	
9	01550-08307	BOLT	6	
10	51120-93J00	COVER, ASSY MOUNT OIL SEAL	1	
11	51122-93J02	COVER, MOUNT OIL SEAL	1	
12	51124-93J00	OIL SEAL	2	
13	51125-93J00	SCRAPER	1	
14	51123-93J00	GASKET, MOUNT OIL SEAL COVER	1	
15	09103-08109	BOLT (8X120)	2	
16	09206-08001	PIN (8X11)	2	
17	01550-0830A	BOLT	6	
18	51140-98J00-0EP	COVER, ENGINE HOLDER (BLACK)	1	
19	51142-93J00	GASKET, ENGINE HOLDER COV	1	
20	09116-08122	BOLT (8X30)	8	
21	51151-93J00	COVER, ENGINE HOLDER UPPER	1	
22	51152-93J00	SEAL, ENGINE HOLDER UPPER COV	1	
23	01550-08307	BOLT	3	
24	01550-08607	BOLT	2	
25	54123-93J02	PLATE, UPPER MOUNT	1	
26	54130-93J01	MOUNT, UPPER	2	
27	09100-14004	BOLT (14X220)	2	
28	09159-14026	NUT	2	
29	09160-15051	WASHER (15X24X3)	2	
30	54137-93J02	COVER, UPPER MOUNT	1	
31	09116-10135	BOLT (10X95)	2	
32	09116-10175	BOLT (10X50)	1	
33	54121-98J00	STOPPER, UPPER THRUST	2	
34	54125-93J00	MOUNT, UPPER THRUST REVERSE	1	

FIG.241

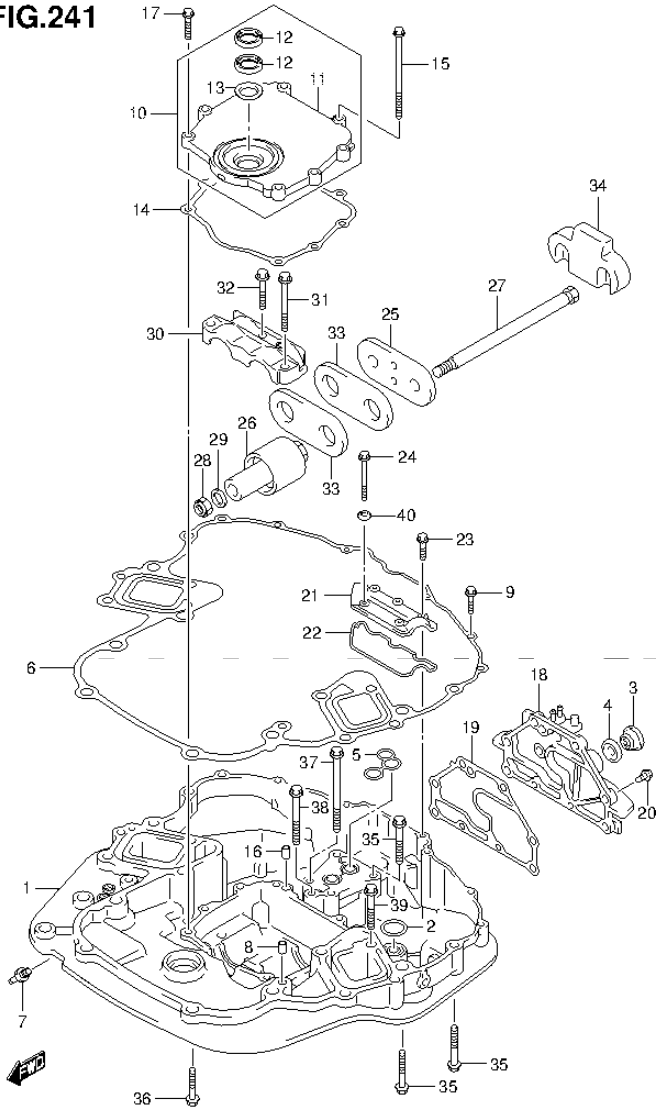


FIG.241 (3-E-6) ENGINE HOLDER (DF225T E1)

REF NO.	PART NO.	DESCRIPTION	Q'TY	REMARKS
35	09116-10137	BOLT (10X70)	6	
36	09116-10175	BOLT (10X50)	4	
37	09116-10146	BOLT (10X195)	2	
38	09116-10134	BOLT (10X115)	1	
39	09116-08126	BOLT (8X65)	4	
40	09169-08038	WASHER (8.3X15X3)	2	

FIG.242

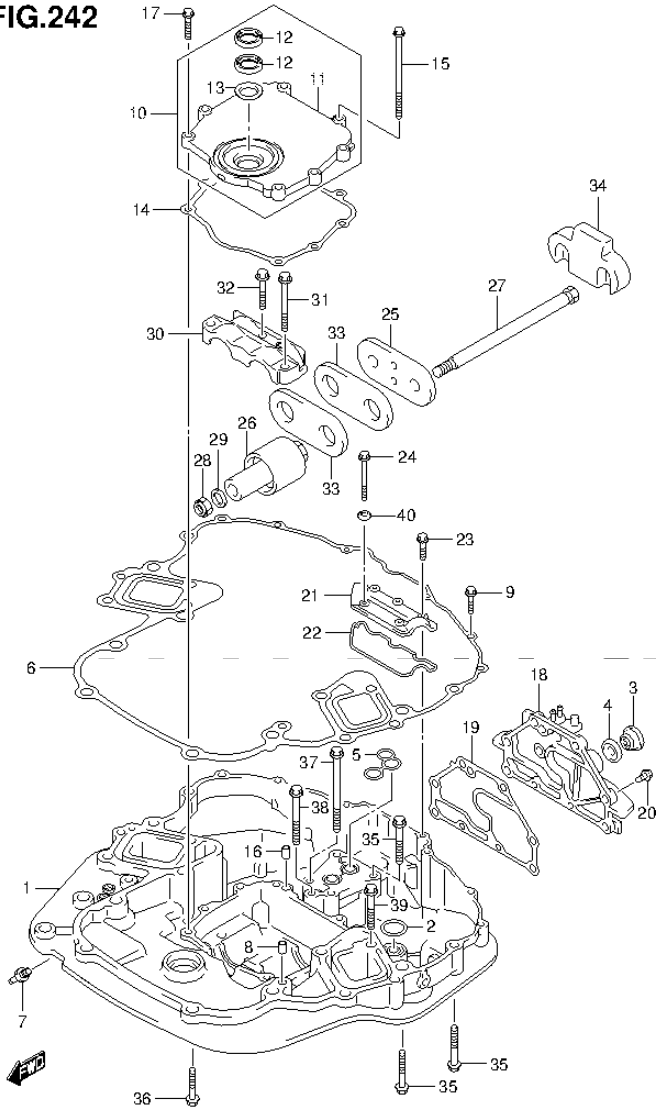


FIG.242 (3-E-7) ENGINE HOLDER (DF225T E40)

REF NO.	PART NO.	DESCRIPTION	Q'TY	REMARKS
1	51111-93J03-0EP	HOLDER, ENGINE (BLACK)	1	
2	16519-93J00	SEAL, ENGINE HOLDER OIL	1	
3	17913-93J00	PLUG, WATER	1	
4	17914-93J00	GASKET, WATER PLUG	1	
5	51116-93J00	SEAL, WATER RETURN	1	
6	51211-93J00	GASKET, ENGINE HOLDER	1	
7	61155-93J20	UNION, WATER INDICATOR	1	
8	09206-08001	PIN (8X11)	2	
9	01550-08307	BOLT	6	
10	51120-93J00	COVER, ASSY MOUNT OIL SEAL	1	
11	51122-93J02	COVER, MOUNT OIL SEAL	1	
12	51124-93J00	OIL SEAL	2	
13	51125-93J00	SCRAPER	1	
14	51123-93J00	GASKET, MOUNT OIL SEAL COVER	1	
15	09103-08109	BOLT (8X120)	2	
16	09206-08001	PIN (8X11)	2	
17	01550-0830A	BOLT	6	
18	51140-98J00-0EP	COVER, ENGINE HOLDER (BLACK)	1	
19	51142-93J00	GASKET, ENGINE HOLDER COV	1	
20	09116-08122	BOLT (8X30)	8	
21	51151-93J00	COVER, ENGINE HOLDER UPPER	1	
22	51152-93J00	SEAL, ENGINE HOLDER UPPER COV	1	
23	01550-08307	BOLT	3	
24	01550-08607	BOLT	2	
25	54123-93J02	PLATE, UPPER MOUNT	1	
26	54130-93J01	MOUNT, UPPER	2	
27	09100-14004	BOLT (14X220)	2	
28	09159-14026	NUT	2	
29	09160-15051	WASHER (15X24X3)	2	
30	54137-93J02	COVER, UPPER MOUNT	1	
31	09116-10135	BOLT (10X95)	2	
32	09116-10175	BOLT (10X50)	1	
33	54121-98J00	STOPPER, UPPER THRUST	2	
34	54125-93J00	MOUNT, UPPER THRUST REVERSE	1	

FIG.242

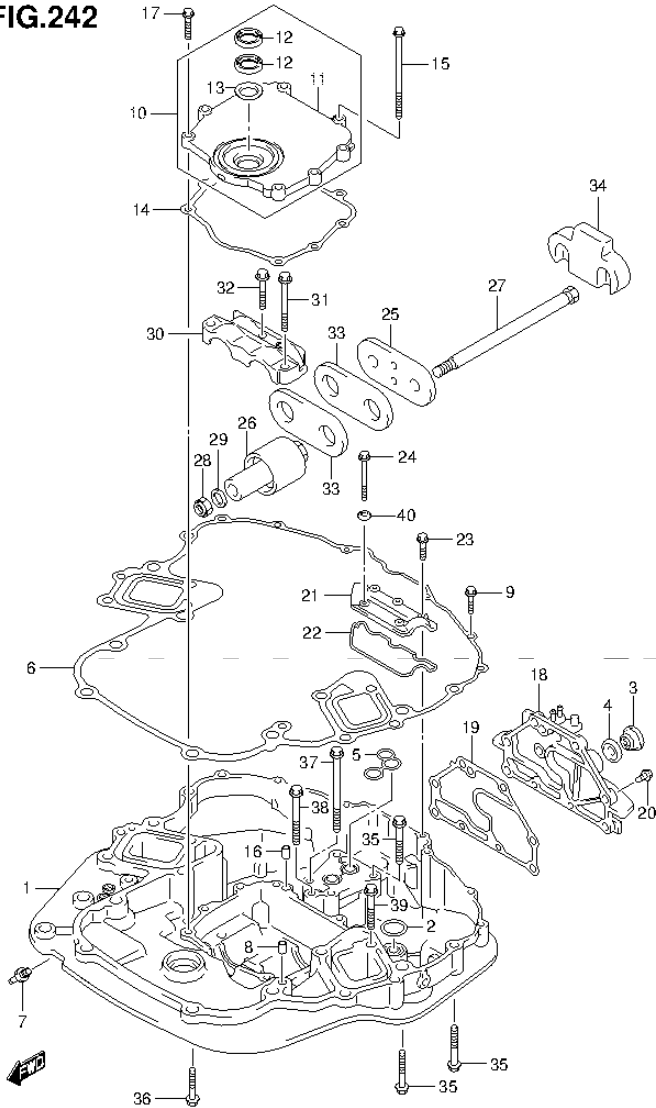


FIG.242 (3-E-8) ENGINE HOLDER (DF225T E40)

REF NO.	PART NO.	DESCRIPTION	Q'TY	REMARKS
35	09116-10137	BOLT (10X70)	6	
36	09116-10175	BOLT (10X50)	4	
37	09116-10146	BOLT (10X195)	2	
38	09116-10134	BOLT (10X115)	1	
39	09116-08126	BOLT (8X65)	4	
40	09169-08038	WASHER (8.3X15X3)	2	

FIG.243

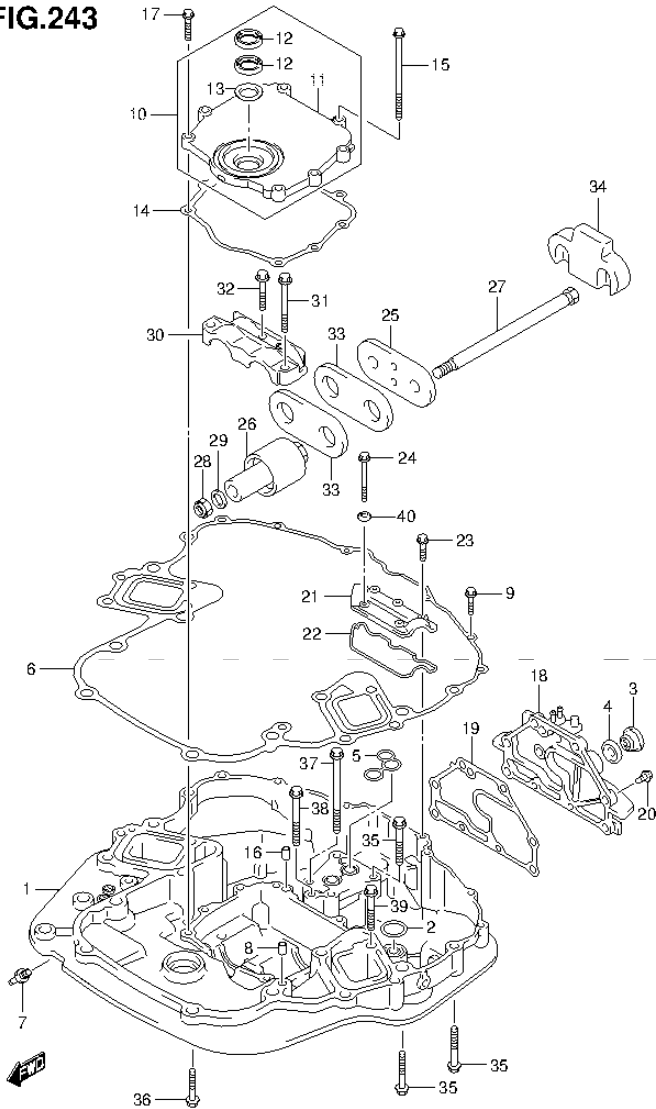


FIG.243 (3-E-9) ENGINE HOLDER (DF225Z E1)

REF NO.	PART NO.	DESCRIPTION	Q'TY	REMARKS
1	51111-93J03-0EP	HOLDER, ENGINE (BLACK)	1	
2	16519-93J00	SEAL, ENGINE HOLDER OIL	1	
3	17913-93J00	PLUG, WATER	1	
4	17914-93J00	GASKET, WATER PLUG	1	
5	51116-93J00	SEAL, WATER RETURN	1	
6	51211-93J00	GASKET, ENGINE HOLDER	1	
7	61155-93J20	UNION, WATER INDICATOR	1	
8	09206-08001	PIN (8X11)	2	
9	01550-08307	BOLT	6	
10	51120-93J00	COVER, ASSY MOUNT OIL SEAL	1	
11	51122-93J02	COVER, MOUNT OIL SEAL	1	
12	51124-93J00	OIL SEAL	2	
13	51125-93J00	SCRAPER	1	
14	51123-93J00	GASKET, MOUNT OIL SEAL COVER	1	
15	09103-08109	BOLT (8X120)	2	
16	09206-08001	PIN (8X11)	2	
17	01550-0830A	BOLT	6	
18	51140-98J00-0EP	COVER, ENGINE HOLDER (BLACK)	1	
19	51142-93J00	GASKET, ENGINE HOLDER COV	1	
20	09116-08122	BOLT (8X30)	8	
21	51151-93J00	COVER, ENGINE HOLDER UPPER	1	
22	51152-93J00	SEAL, ENGINE HOLDER UPPER COV	1	
23	01550-08307	BOLT	3	
24	01550-08607	BOLT	2	
25	54123-93J02	PLATE, UPPER MOUNT	1	
26	54130-93J01	MOUNT, UPPER	2	
27	09100-14004	BOLT (14X220)	2	
28	09159-14026	NUT	2	
29	09160-15051	WASHER (15X24X3)	2	
30	54137-93J02	COVER, UPPER MOUNT	1	
31	09116-10135	BOLT (10X95)	2	
32	09116-10175	BOLT (10X50)	1	
33	54121-98J00	STOPPER, UPPER THRUST	2	
34	54125-93J00	MOUNT, UPPER THRUST REVERSE	1	

FIG.243

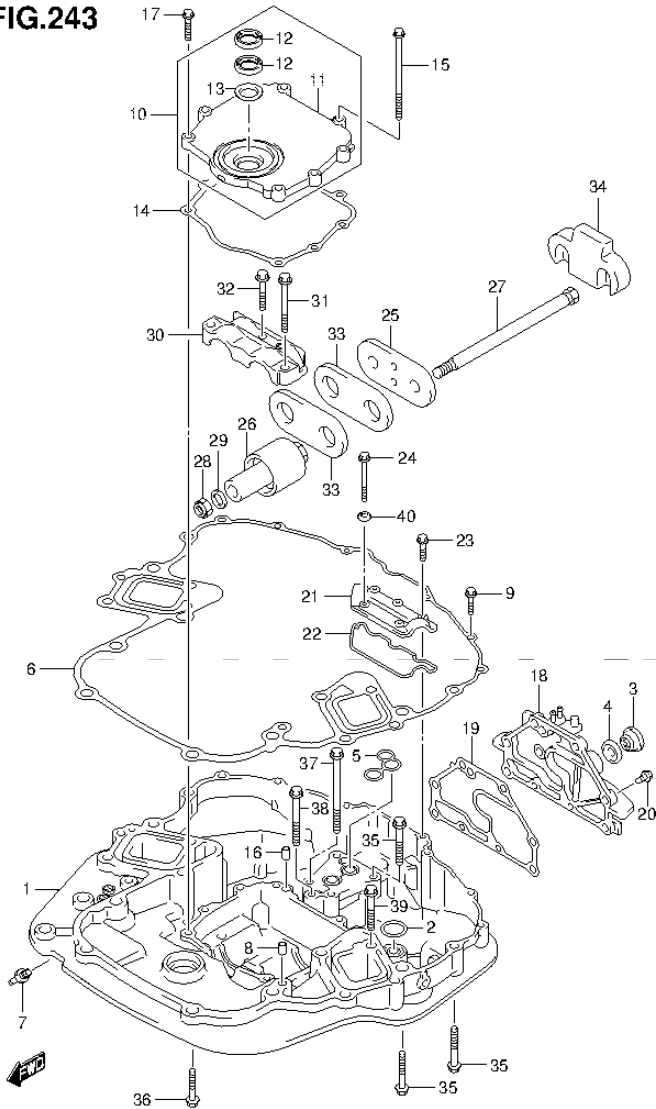


FIG.243 (3-E-10) ENGINE HOLDER (DF225Z E1)

REF NO.	PART NO.	DESCRIPTION	Q'TY	REMARKS
35	09116-10137	BOLT (10X70)	6	
36	09116-10175	BOLT (10X50)	4	
37	09116-10146	BOLT (10X195)	2	
38	09116-10134	BOLT (10X115)	1	
39	09116-08126	BOLT (8X65)	4	
40	09169-08038	WASHER (8.3X15X3)	2	

FIG.244

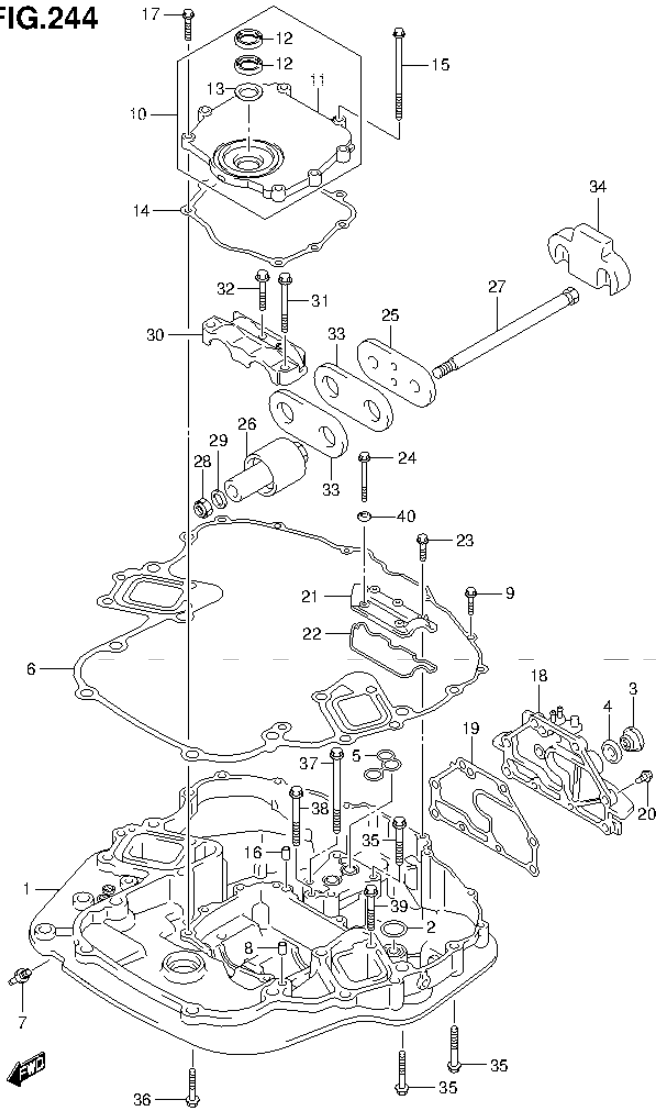


FIG.244 (3-E-11) ENGINE HOLDER (DF225Z E40)

REF NO.	PART NO.	DESCRIPTION	Q'TY	REMARKS
1	51111-93J03-0EP	HOLDER, ENGINE (BLACK)	1	
2	16519-93J00	SEAL, ENGINE HOLDER OIL	1	
3	17913-93J00	PLUG, WATER	1	
4	17914-93J00	GASKET, WATER PLUG	1	
5	51116-93J00	SEAL, WATER RETURN	1	
6	51211-93J00	GASKET, ENGINE HOLDER	1	
7	61155-93J20	UNION, WATER INDICATOR	1	
8	09206-08001	PIN (8X11)	2	
9	01550-08307	BOLT	6	
10	51120-93J00	COVER, ASSY MOUNT OIL SEAL	1	
11	51122-93J02	COVER, MOUNT OIL SEAL	1	
12	51124-93J00	OIL SEAL	2	
13	51125-93J00	SCRAPER	1	
14	51123-93J00	GASKET, MOUNT OIL SEAL COVER	1	
15	09103-08109	BOLT (8X120)	2	
16	09206-08001	PIN (8X11)	2	
17	01550-0830A	BOLT	6	
18	51140-98J00-0EP	COVER, ENGINE HOLDER (BLACK)	1	
19	51142-93J00	GASKET, ENGINE HOLDER COV	1	
20	09116-08122	BOLT (8X30)	8	
21	51151-93J00	COVER, ENGINE HOLDER UPPER	1	
22	51152-93J00	SEAL, ENGINE HOLDER UPPER COV	1	
23	01550-08307	BOLT	3	
24	01550-08607	BOLT	2	
25	54123-93J02	PLATE, UPPER MOUNT	1	
26	54130-93J01	MOUNT, UPPER	2	
27	09100-14004	BOLT (14X220)	2	
28	09159-14026	NUT	2	
29	09160-15051	WASHER (15X24X3)	2	
30	54137-93J02	COVER, UPPER MOUNT	1	
31	09116-10135	BOLT (10X95)	2	
32	09116-10175	BOLT (10X50)	1	
33	54121-98J00	STOPPER, UPPER THRUST	2	
34	54125-93J00	MOUNT, UPPER THRUST REVERSE	1	

FIG.244

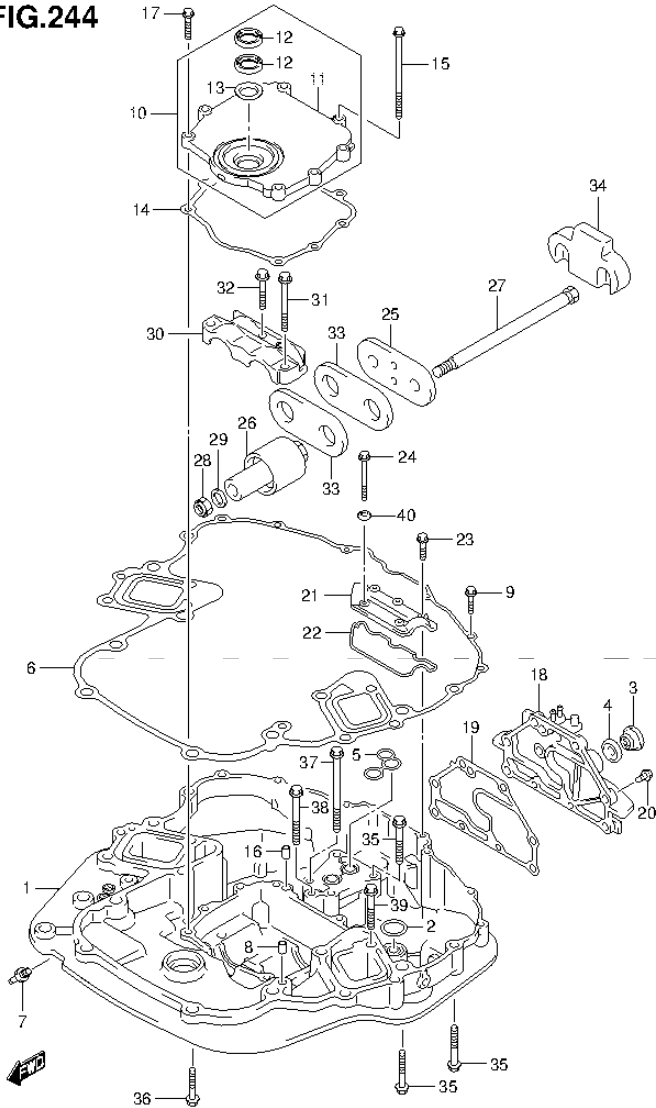


FIG.244 (3-E-12) ENGINE HOLDER (DF225Z E40)

REF NO.	PART NO.	DESCRIPTION	Q'TY	REMARKS
35	09116-10137	BOLT (10X70)	6	
36	09116-10175	BOLT (10X50)	4	
37	09116-10146	BOLT (10X195)	2	
38	09116-10134	BOLT (10X115)	1	
39	09116-08126	BOLT (8X65)	4	
40	09169-08038	WASHER (8.3X15X3)	2	

FIG.245

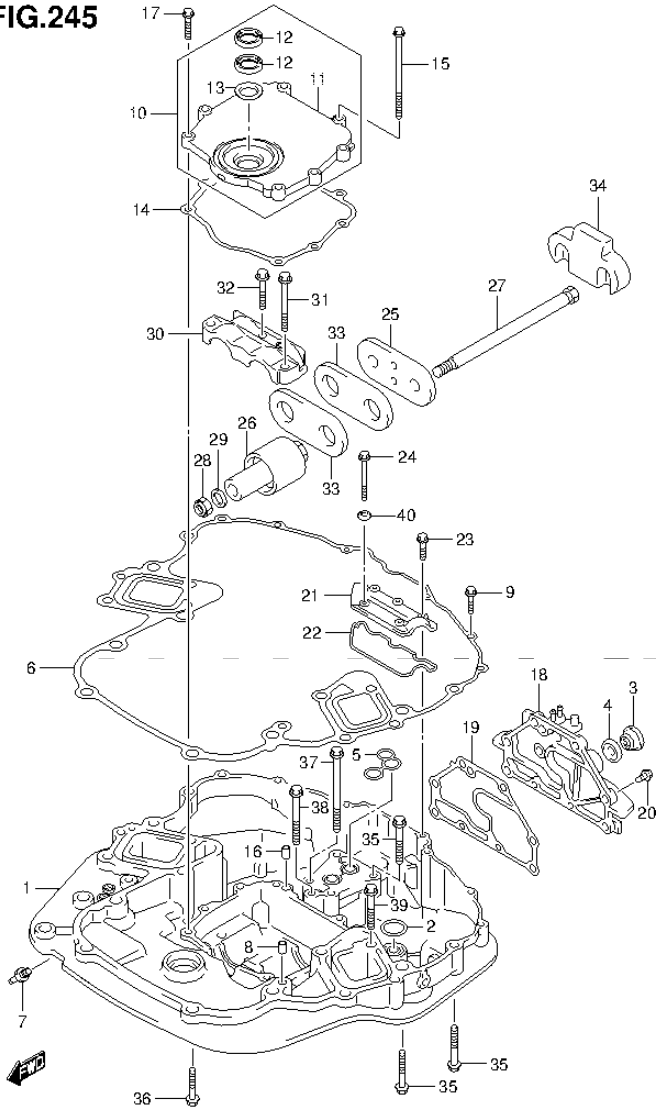


FIG.245 (3-E-13) ENGINE HOLDER (DF250T E1)

REF NO.	PART NO.	DESCRIPTION	Q'TY	REMARKS
1	51111-93J03-0EP	HOLDER, ENGINE (BLACK)	1	
2	16519-93J00	SEAL, ENGINE HOLDER OIL	1	
3	17913-93J00	PLUG, WATER	1	
4	17914-93J00	GASKET, WATER PLUG	1	
5	51116-93J00	SEAL, WATER RETURN	1	
6	51211-93J00	GASKET, ENGINE HOLDER	1	
7	61155-93J20	UNION, WATER INDICATOR	1	
8	09206-08001	PIN (8X11)	2	
9	01550-08307	BOLT	6	
10	51120-93J00	COVER, ASSY MOUNT OIL SEAL	1	
11	51122-93J02	COVER, MOUNT OIL SEAL	1	
12	51124-93J00	OIL SEAL	2	
13	51125-93J00	SCRAPER	1	
14	51123-93J00	GASKET, MOUNT OIL SEAL COVER	1	
15	09103-08109	BOLT (8X120)	2	
16	09206-08001	PIN (8X11)	2	
17	01550-0830A	BOLT	6	
18	51140-98J00-0EP	COVER, ENGINE HOLDER (BLACK)	1	
19	51142-93J00	GASKET, ENGINE HOLDER COV	1	
20	09116-08122	BOLT (8X30)	8	
21	51151-93J00	COVER, ENGINE HOLDER UPPER	1	
22	51152-93J00	SEAL, ENGINE HOLDER UPPER COV	1	
23	01550-08307	BOLT	3	
24	01550-08607	BOLT	2	
25	54123-93J02	PLATE, UPPER MOUNT	1	
26	54130-93J01	MOUNT, UPPER	2	
27	09100-14004	BOLT (14X220)	2	
28	09159-14026	NUT	2	
29	09160-15051	WASHER (15X24X3)	2	
30	54137-93J02	COVER, UPPER MOUNT	1	
31	09116-10135	BOLT (10X95)	2	
32	09116-10175	BOLT (10X50)	1	
33	54121-98J00	STOPPER, UPPER THRUST	2	
34	54125-93J00	MOUNT, UPPER THRUST REVERSE	1	

FIG.245

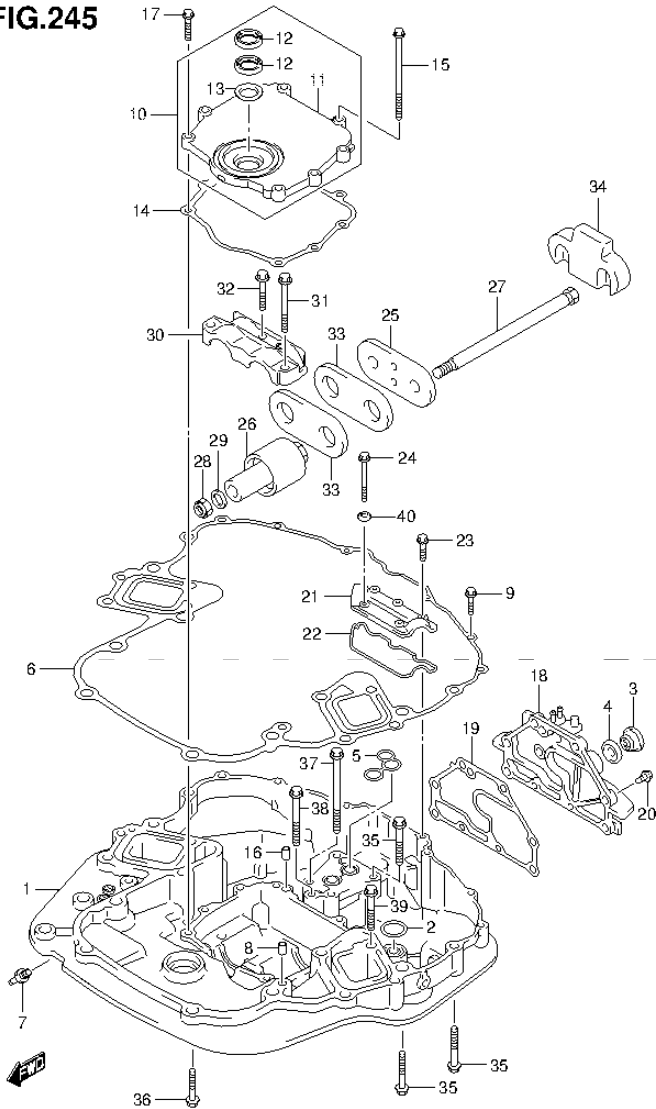


FIG.245 (3-E-14) ENGINE HOLDER (DF250T E1)

REF NO.	PART NO.	DESCRIPTION	Q'TY	REMARKS
35	09116-10137	BOLT (10X70)	6	
36	09116-10175	BOLT (10X50)	4	
37	09116-10146	BOLT (10X195)	2	
38	09116-10134	BOLT (10X115)	1	
39	09116-08126	BOLT (8X65)	4	
40	09169-08038	WASHER (8.3X15X3)	2	

FIG.246

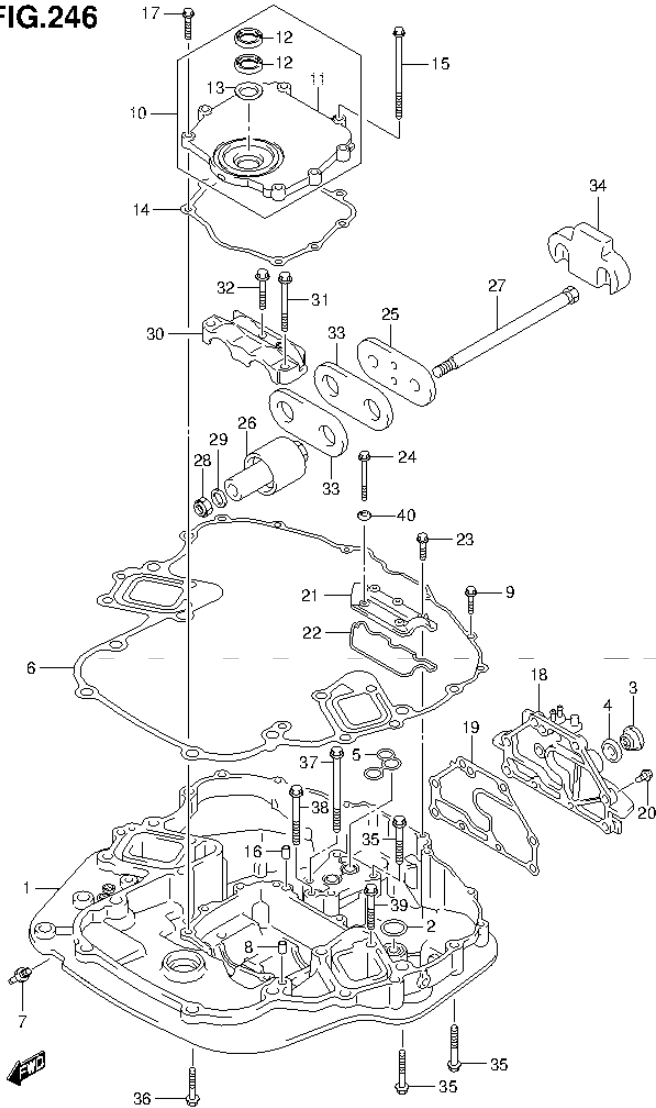


FIG.246 (3-E-15) ENGINE HOLDER (DF250T E40)

REF NO.	PART NO.	DESCRIPTION	Q'TY	REMARKS
1	51111-93J03-0EP	HOLDER, ENGINE (BLACK)	1	
2	16519-93J00	SEAL, ENGINE HOLDER OIL	1	
3	17913-93J00	PLUG, WATER	1	
4	17914-93J00	GASKET, WATER PLUG	1	
5	51116-93J00	SEAL, WATER RETURN	1	
6	51211-93J00	GASKET, ENGINE HOLDER	1	
7	61155-93J20	UNION, WATER INDICATOR	1	
8	09206-08001	PIN (8X11)	2	
9	01550-08307	BOLT	6	
10	51120-93J00	COVER, ASSY MOUNT OIL SEAL	1	
11	51122-93J02	COVER, MOUNT OIL SEAL	1	
12	51124-93J00	OIL SEAL	2	
13	51125-93J00	SCRAPER	1	
14	51123-93J00	GASKET, MOUNT OIL SEAL COVER	1	
15	09103-08109	BOLT (8X120)	2	
16	09206-08001	PIN (8X11)	2	
17	01550-0830A	BOLT	6	
18	51140-98J00-0EP	COVER, ENGINE HOLDER (BLACK)	1	
19	51142-93J00	GASKET, ENGINE HOLDER COV	1	
20	09116-08122	BOLT (8X30)	8	
21	51151-93J00	COVER, ENGINE HOLDER UPPER	1	
22	51152-93J00	SEAL, ENGINE HOLDER UPPER COV	1	
23	01550-08307	BOLT	3	
24	01550-08607	BOLT	2	
25	54123-93J02	PLATE, UPPER MOUNT	1	
26	54130-93J01	MOUNT, UPPER	2	
27	09100-14004	BOLT (14X220)	2	
28	09159-14026	NUT	2	
29	09160-15051	WASHER (15X24X3)	2	
30	54137-93J02	COVER, UPPER MOUNT	1	
31	09116-10135	BOLT (10X95)	2	
32	09116-10175	BOLT (10X50)	1	
33	54121-98J00	STOPPER, UPPER THRUST	2	
34	54125-93J00	MOUNT, UPPER THRUST REVERSE	1	

FIG.246

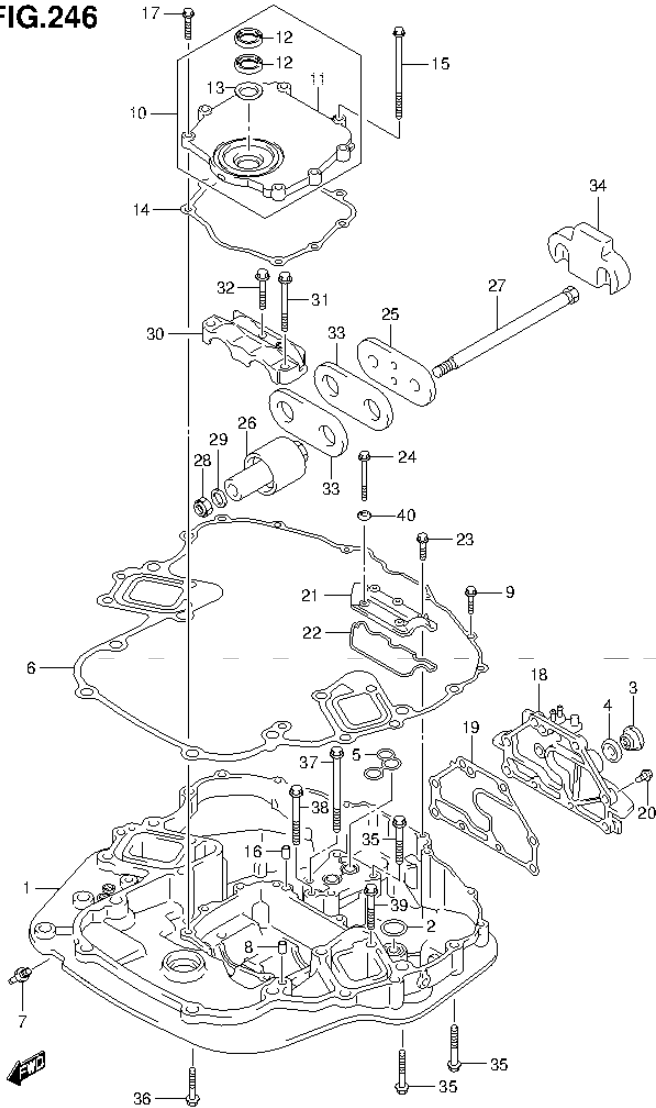


FIG.246 (3-F-2) ENGINE HOLDER (DF250T E40)

REF NO.	PART NO.	DESCRIPTION	Q'TY	REMARKS
35	09116-10137	BOLT (10X70)	6	
36	09116-10175	BOLT (10X50)	4	
37	09116-10146	BOLT (10X195)	2	
38	09116-10134	BOLT (10X115)	1	
39	09116-08126	BOLT (8X65)	4	
40	09169-08038	WASHER (8.3X15X3)	2	

FIG.247

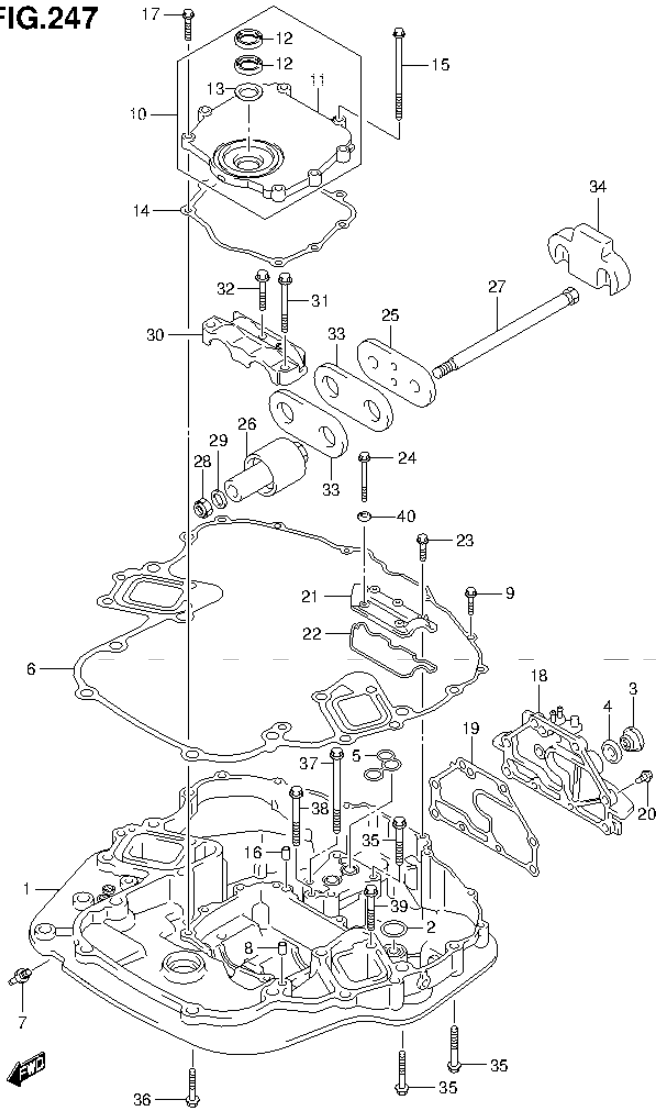


FIG.247 (3-F-3) ENGINE HOLDER (DF250Z E1)

REF NO.	PART NO.	DESCRIPTION	Q'TY	REMARKS
1	51111-93J03-0EP	HOLDER, ENGINE (BLACK)	1	
2	16519-93J00	SEAL, ENGINE HOLDER OIL	1	
3	17913-93J00	PLUG, WATER	1	
4	17914-93J00	GASKET, WATER PLUG	1	
5	51116-93J00	SEAL, WATER RETURN	1	
6	51211-93J00	GASKET, ENGINE HOLDER	1	
7	61155-93J20	UNION, WATER INDICATOR	1	
8	09206-08001	PIN (8X11)	2	
9	01550-08307	BOLT	6	
10	51120-93J00	COVER, ASSY MOUNT OIL SEAL	1	
11	51122-93J02	COVER, MOUNT OIL SEAL	1	
12	51124-93J00	OIL SEAL	2	
13	51125-93J00	SCRAPER	1	
14	51123-93J00	GASKET, MOUNT OIL SEAL COVER	1	
15	09103-08109	BOLT (8X120)	2	
16	09206-08001	PIN (8X11)	2	
17	01550-0830A	BOLT	6	
18	51140-98J00-0EP	COVER, ENGINE HOLDER (BLACK)	1	
19	51142-93J00	GASKET, ENGINE HOLDER COV	1	
20	09116-08122	BOLT (8X30)	8	
21	51151-93J00	COVER, ENGINE HOLDER UPPER	1	
22	51152-93J00	SEAL, ENGINE HOLDER UPPER COV	1	
23	01550-08307	BOLT	3	
24	01550-08607	BOLT	2	
25	54123-93J02	PLATE, UPPER MOUNT	1	
26	54130-93J01	MOUNT, UPPER	2	
27	09100-14004	BOLT (14X220)	2	
28	09159-14026	NUT	2	
29	09160-15051	WASHER (15X24X3)	2	
30	54137-93J02	COVER, UPPER MOUNT	1	
31	09116-10135	BOLT (10X95)	2	
32	09116-10175	BOLT (10X50)	1	
33	54121-98J00	STOPPER, UPPER THRUST	2	
34	54125-93J00	MOUNT, UPPER THRUST REVERSE	1	

FIG.247

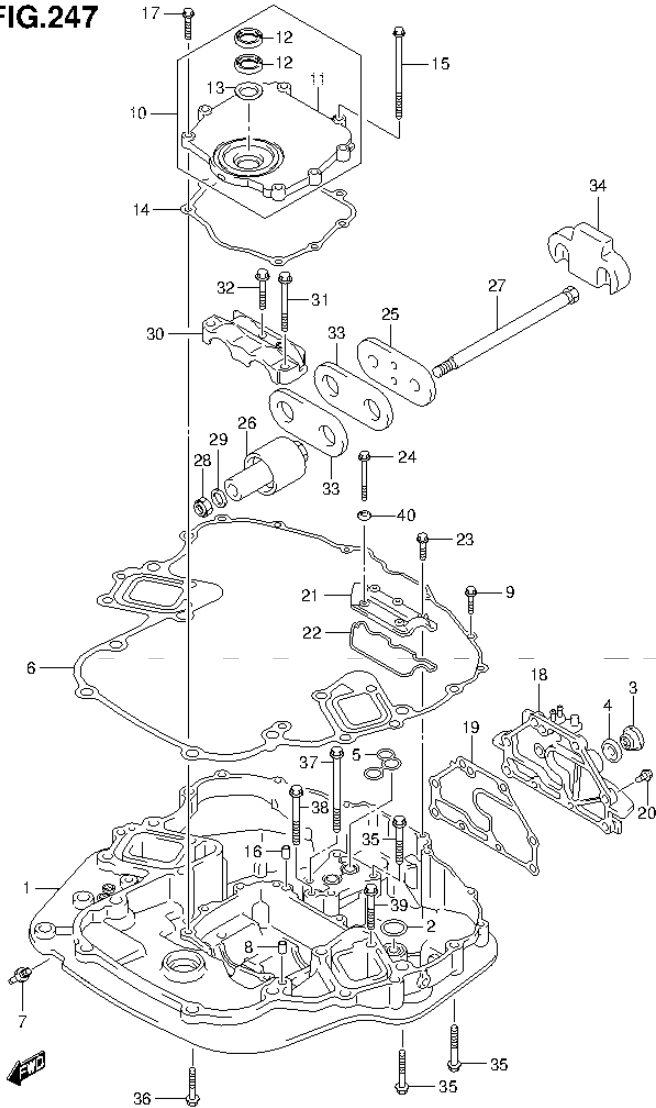


FIG.247 (3-F-4) ENGINE HOLDER (DF250Z E1)

REF NO.	PART NO.	DESCRIPTION	Q'TY	REMARKS
35	09116-10137	BOLT (10X70)	6	
36	09116-10175	BOLT (10X50)	4	
37	09116-10146	BOLT (10X195)	2	
38	09116-10134	BOLT (10X115)	1	
39	09116-08126	BOLT (8X65)	4	
40	09169-08038	WASHER (8.3X15X3)	2	

FIG.248

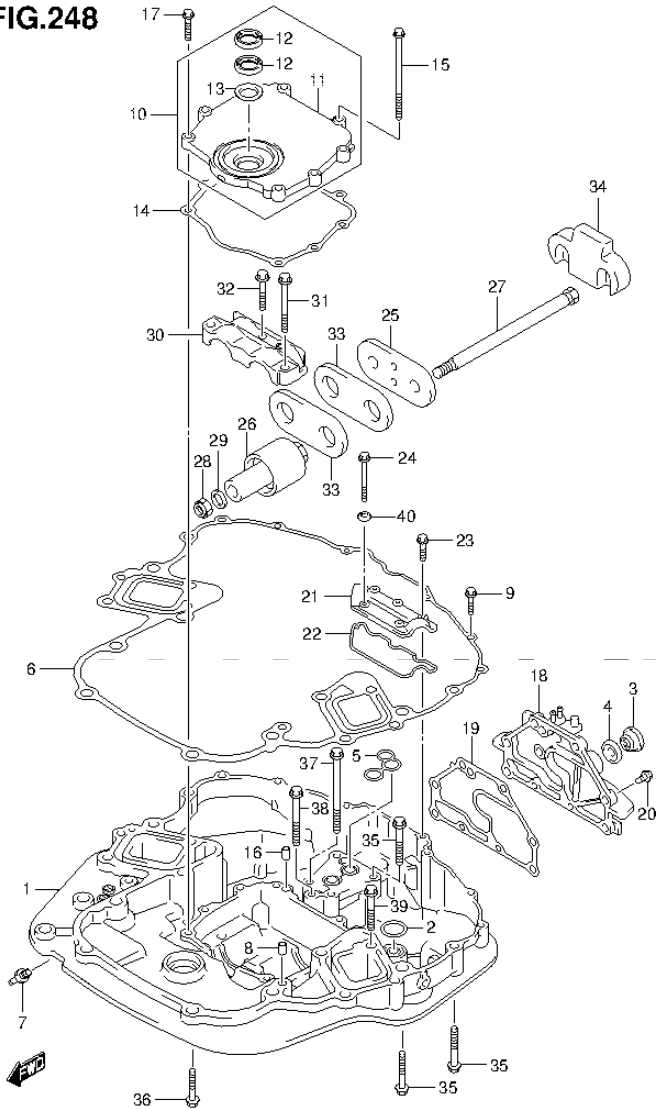


FIG.248 (3-F-5) ENGINE HOLDER (DF250Z E40)

REF NO.	PART NO.	DESCRIPTION	Q'TY	REMARKS
1	51111-93J03-0EP	HOLDER, ENGINE (BLACK)	1	
2	16519-93J00	SEAL, ENGINE HOLDER OIL	1	
3	17913-93J00	PLUG, WATER	1	
4	17914-93J00	GASKET, WATER PLUG	1	
5	51116-93J00	SEAL, WATER RETURN	1	
6	51211-93J00	GASKET, ENGINE HOLDER	1	
7	61155-93J20	UNION, WATER INDICATOR	1	
8	09206-08001	PIN (8X11)	2	
9	01550-08307	BOLT	6	
10	51120-93J00	COVER, ASSY MOUNT OIL SEAL	1	
11	51122-93J02	COVER, MOUNT OIL SEAL	1	
12	51124-93J00	OIL SEAL	2	
13	51125-93J00	SCRAPER	1	
14	51123-93J00	GASKET, MOUNT OIL SEAL COVER	1	
15	09103-08109	BOLT (8X120)	2	
16	09206-08001	PIN (8X11)	2	
17	01550-0830A	BOLT	6	
18	51140-98J00-0EP	COVER, ENGINE HOLDER (BLACK)	1	
19	51142-93J00	GASKET, ENGINE HOLDER COV	1	
20	09116-08122	BOLT (8X30)	8	
21	51151-93J00	COVER, ENGINE HOLDER UPPER	1	
22	51152-93J00	SEAL, ENGINE HOLDER UPPER COV	1	
23	01550-08307	BOLT	3	
24	01550-08607	BOLT	2	
25	54123-93J02	PLATE, UPPER MOUNT	1	
26	54130-93J01	MOUNT, UPPER	2	
27	09100-14004	BOLT (14X220)	2	
28	09159-14026	NUT	2	
29	09160-15051	WASHER (15X24X3)	2	
30	54137-93J02	COVER, UPPER MOUNT	1	
31	09116-10135	BOLT (10X95)	2	
32	09116-10175	BOLT (10X50)	1	
33	54121-98J00	STOPPER, UPPER THRUST	2	
34	54125-93J00	MOUNT, UPPER THRUST REVERSE	1	

FIG.248

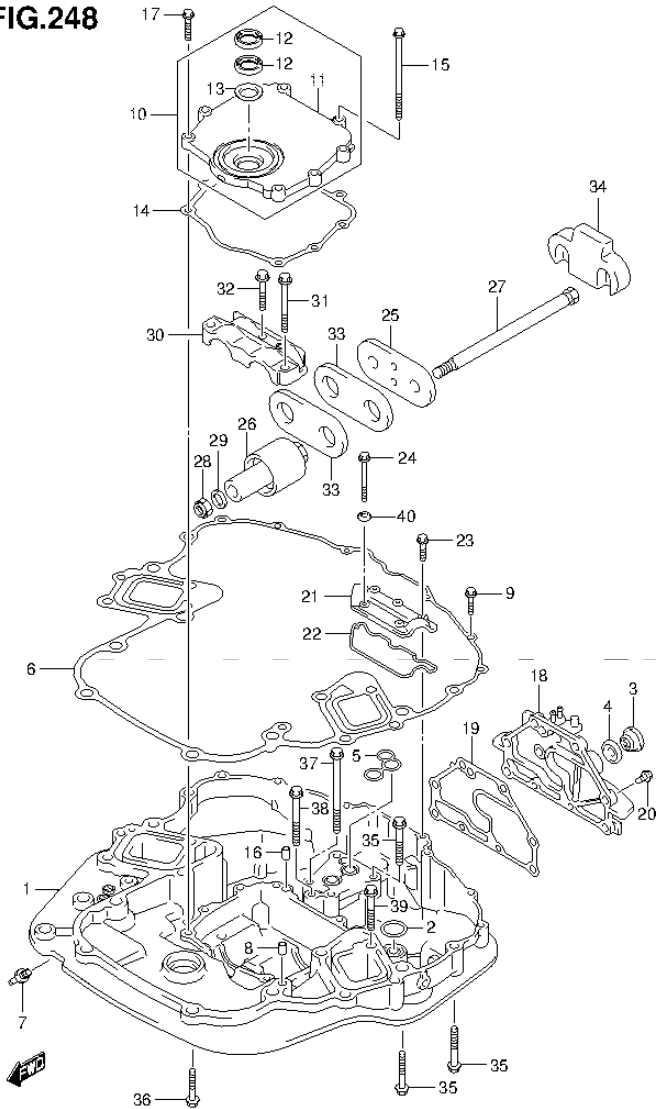


FIG.248 (3-F-6) ENGINE HOLDER (DF250Z E40)

REF NO.	PART NO.	DESCRIPTION	Q'TY	REMARKS
35	09116-10137	BOLT (10X70)	6	
36	09116-10175	BOLT (10X50)	4	
37	09116-10146	BOLT (10X195)	2	
38	09116-10134	BOLT (10X115)	1	
39	09116-08126	BOLT (8X65)	4	
40	09169-08038	WASHER (8.3X15X3)	2	

FIG.249

FIG.249 (3-F-7) DRIVE SHAFT HOUSING TRANSOM(X,XX) (DF200T E1)

REF NO.	PART NO.	DESCRIPTION	Q'TY	REMARKS
1	52111-93J11-0EP	HOUSING, DRIVE SHAFT (BLACK)	1	
2	09116-10176	BOLT (10X44)	8	
3	09202-08006	PIN (8X12)	2	
4	57130-87D10	BUSH, DRIVE SHAFT	1	
5	09387-38002	RING	1	
6	09125-06063	SCREW (6X10)	1	
7	52131-93J00-0EP	CASE, EXTENSION (BLACK)	1	W/TRANSOM(XX)
8	09108-10115	STUD BOLT	6	W/TRANSOM(XX)
9	09108-12013	STUD BOLT	1	W/TRANSOM(XX)
10	09202-08006	PIN (8X12)	2	W/TRANSOM(XX)
11	36894-87D00	LEAD, MT BRKT TO HSG	1	
12	09125-06063	SCREW (6X10)	1	
13	54151-93J00	MOUNT, LOWER THRUST	1	
14	54160-93J01	MOUNT, LOWER	2	
15	09100-14004	BOLT (14X220)	2	
16	09160-16050	WASHER (16X32X3)	2	
17	09159-14026	NUT	2	
18	09160-16050	WASHER (16X32X3)	2	
19	54211-93J00	BRACKET, LOWER MOUNT	1	
20	54221-93J00	COVER, LOWER MOUNT	2	
21	09116-10175	BOLT (10X50)	4	
22	54165-98J00	STOPPER, LOWER THRUST REVERSE	4	
23	09160-14066	WASHER (14X50X4)	2	
24	29404-93J10	CLAMP, SPEEDOMETER HOSE	1	
25	29103-93J00	BOLT, CLAMP (6X12)	1	
26-1	55321-93J00	ANODE, PROTECTION	1	W/TRANSOM(X)
26-2	55321-93J00	ANODE, PROTECTION	2	W/TRANSOM(XX)
27-1	09116-06094	BOLT (6X15)	1	W/TRANSOM(X)
27-2	09116-06094	BOLT (6X15)	2	W/TRANSOM(XX)

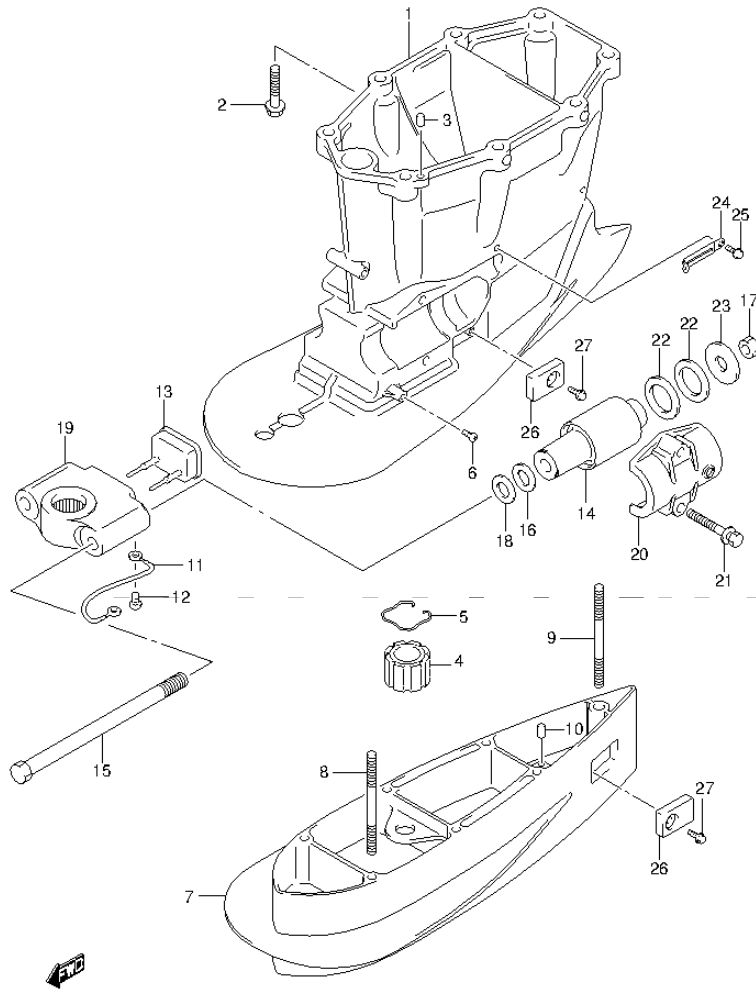


FIG.250

FIG.250 (3-F-8) DRIVE SHAFT HOUSING TRANSOM(X) (DF200T E40)

REF NO.	PART NO.	DESCRIPTION	Q'TY	REMARKS
1	52111-93J11-0EP	HOUSING, DRIVE SHAFT (BLACK)	1	
2	09116-10176	BOLT (10X44)	8	
3	09202-08006	PIN (8X12)	2	
4	57130-87D10	BUSH, DRIVE SHAFT	1	
5	09387-38002	RING	1	
6	09125-06063	SCREW (6X10)	1	
7	36894-87D00	LEAD, MT BRKT TO HSG	1	
8	09125-06063	SCREW (6X10)	1	
9	54151-93J00	MOUNT, LOWER THRUST	1	
10	54160-93J01	MOUNT, LOWER	2	
11	09100-14004	BOLT (14X220)	2	
12	09160-16050	WASHER (16X32X3)	2	
13	09159-14026	NUT	2	
14	09160-16050	WASHER (16X32X3)	2	
15	54211-93J00	BRACKET, LOWER MOUNT	1	
16	54221-93J00	COVER, LOWER MOUNT	2	
17	09116-10175	BOLT (10X50)	4	
18	54165-98J00	STOPPER, LOWER THRUST REVERSE	4	
19	09160-14066	WASHER (14X50X4)	2	
20	29404-93J10	CLAMP, SPEEDOMETER HOSE	1	
21	29103-93J00	BOLT, CLAMP (6X12)	1	
22	55321-93J00	ANODE, PROTECTION	1	
23	09116-06094	BOLT (6X15)	1	

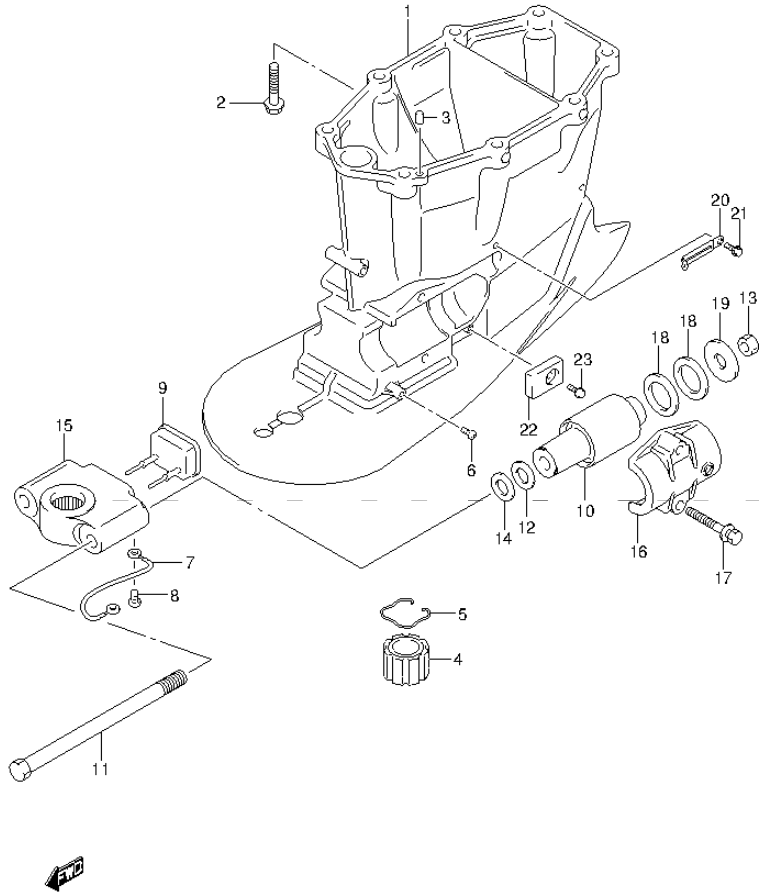
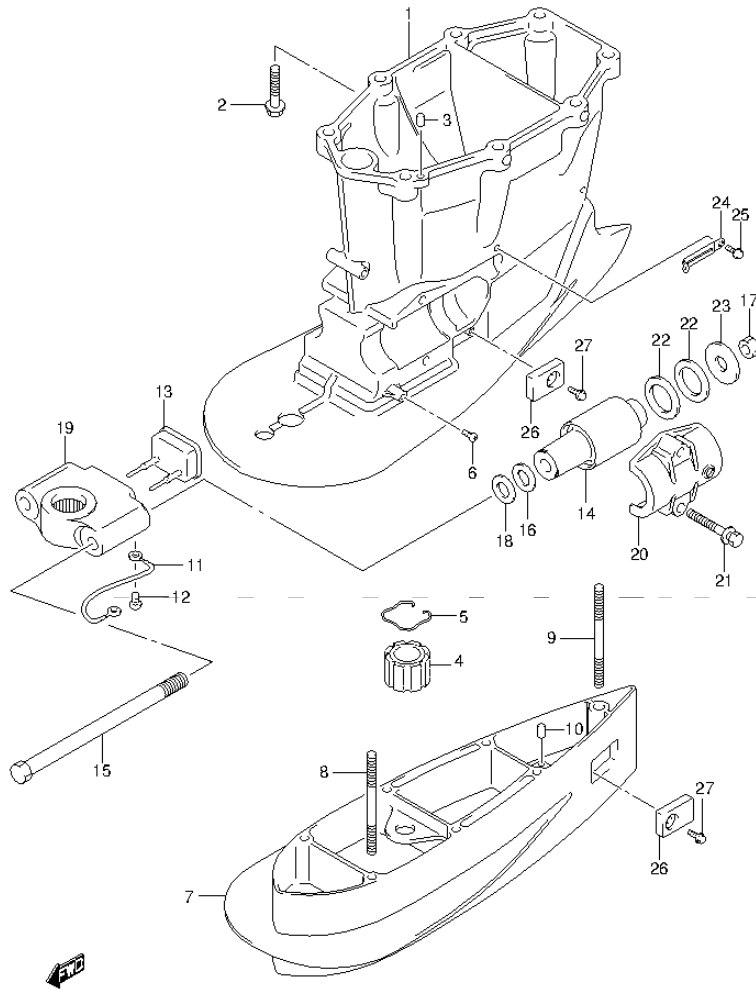


FIG.251

FIG.251 (3-F-9) DRIVE SHAFT HOUSING TRANSOM(X,XX) (DF200Z E1)



REF NO.	PART NO.	DESCRIPTION	Q'TY	REMARKS
1	52111-93J11-0EP	HOUSING, DRIVE SHAFT (BLACK)	1	
2	09116-10176	BOLT (10X44)	8	
3	09202-08006	PIN (8X12)	2	
4	57130-87D10	BUSH, DRIVE SHAFT	1	
5	09387-38002	RING	1	
6	09125-06063	SCREW (6X10)	1	
7	52131-93J00-0EP	CASE, EXTENSION (BLACK)	1	W/TRANSOM(XX)
8	09108-10115	STUD BOLT	6	W/TRANSOM(XX)
9	09108-12013	STUD BOLT	1	W/TRANSOM(XX)
10	09202-08006	PIN (8X12)	2	W/TRANSOM(XX)
11	36894-87D00	LEAD, MT BRKT TO HSG	1	
12	09125-06063	SCREW (6X10)	1	
13	54151-93J00	MOUNT, LOWER THRUST	1	
14	54160-93J01	MOUNT, LOWER	2	
15	09100-14004	BOLT (14X220)	2	
16	09160-16050	WASHER (16X32X3)	2	
17	09159-14026	NUT	2	
18	09160-16050	WASHER (16X32X3)	2	
19	54211-93J00	BRACKET, LOWER MOUNT	1	
20	54221-93J00	COVER, LOWER MOUNT	2	
21	09116-10175	BOLT (10X50)	4	
22	54165-98J00	STOPPER, LOWER THRUST REVERSE	4	
23	09160-14066	WASHER (14X50X4)	2	
24	29404-93J10	CLAMP, SPEEDOMETER HOSE	1	
25	29103-93J00	BOLT, CLAMP (6X12)	1	
26-1	55321-93J00	ANODE, PROTECTION	1	W/TRANSOM(X)
26-2	55321-93J00	ANODE, PROTECTION	2	W/TRANSOM(XX)
27-1	09116-06094	BOLT (6X15)	1	W/TRANSOM(X)
27-2	09116-06094	BOLT (6X15)	2	W/TRANSOM(XX)

FIG.252

FIG.252 (3-F-10) DRIVE SHAFT HOUSING TRANSOM(X) (DF200Z E40)

REF NO.	PART NO.	DESCRIPTION	Q'TY	REMARKS
1	52111-93J11-0EP	HOUSING, DRIVE SHAFT (BLACK)	1	
2	09116-10176	BOLT (10X44)	8	
3	09202-08006	PIN (8X12)	2	
4	57130-87D10	BUSH, DRIVE SHAFT	1	
5	09387-38002	RING	1	
6	09125-06063	SCREW (6X10)	1	
7	36894-87D00	LEAD, MT BRKT TO HSG	1	
8	09125-06063	SCREW (6X10)	1	
9	54151-93J00	MOUNT, LOWER THRUST	1	
10	54160-93J01	MOUNT, LOWER	2	
11	09100-14004	BOLT (14X220)	2	
12	09160-16050	WASHER (16X32X3)	2	
13	09159-14026	NUT	2	
14	09160-16050	WASHER (16X32X3)	2	
15	54211-93J00	BRACKET, LOWER MOUNT	1	
16	54221-93J00	COVER, LOWER MOUNT	2	
17	09116-10175	BOLT (10X50)	4	
18	54165-98J00	STOPPER, LOWER THRUST REVERSE	4	
19	09160-14066	WASHER (14X50X4)	2	
20	29404-93J10	CLAMP, SPEEDOMETER HOSE	1	
21	29103-93J00	BOLT, CLAMP (6X12)	1	
22	55321-93J00	ANODE, PROTECTION	1	
23	09116-06094	BOLT (6X15)	1	

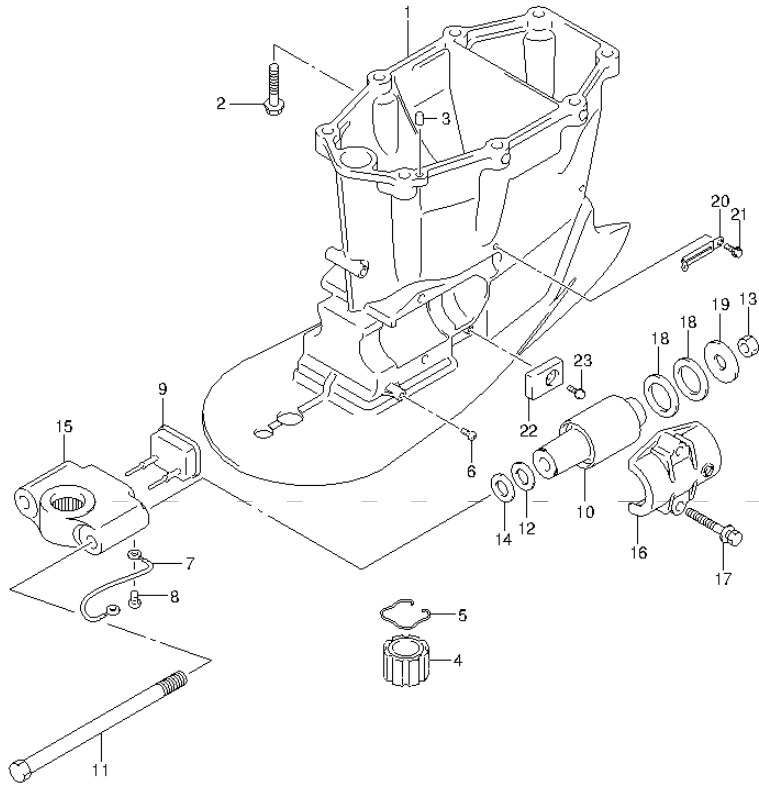
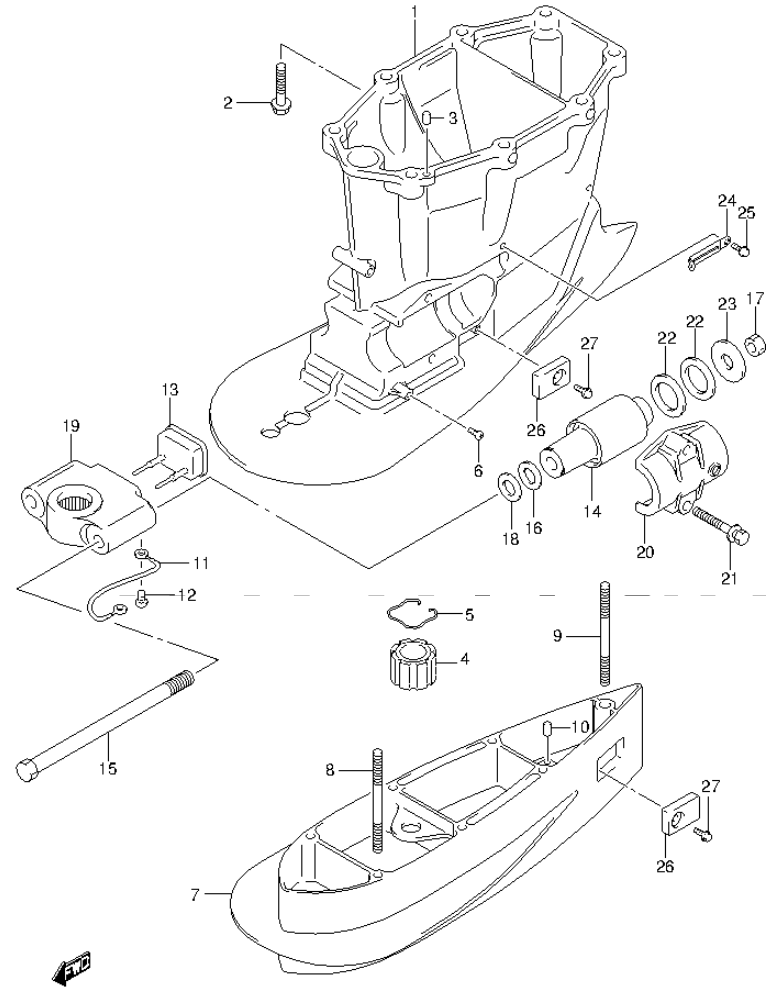


FIG.253

FIG.253 (3-F-11) DRIVE SHAFT HOUSING TRANSOM(X,XX) (DF225T E1)



REF NO.	PART NO.	DESCRIPTION	Q'TY	REMARKS
1	52111-93J11-0EP	HOUSING, DRIVE SHAFT (BLACK)	1	
2	09116-10176	BOLT (10X44)	8	
3	09202-08006	PIN (8X12)	2	
4	57130-87D10	BUSH, DRIVE SHAFT	1	
5	09387-38002	RING	1	
6	09125-06063	SCREW (6X10)	1	
7	52131-93J00-0EP	CASE, EXTENSION (BLACK)	1	W/TRANSOM(XX)
8	09108-10115	STUD BOLT	6	W/TRANSOM(XX)
9	09108-12013	STUD BOLT	1	W/TRANSOM(XX)
10	09202-08006	PIN (8X12)	2	W/TRANSOM(XX)
11	36894-87D00	LEAD, MT BRKT TO HSG	1	
12	09125-06063	SCREW (6X10)	1	
13	54151-93J00	MOUNT, LOWER THRUST	1	
14	54160-93J01	MOUNT, LOWER	2	
15	09100-14004	BOLT (14X220)	2	
16	09160-16050	WASHER (16X32X3)	2	
17	09159-14026	NUT	2	
18	09160-16050	WASHER (16X32X3)	2	
19	54211-93J00	BRACKET, LOWER MOUNT	1	
20	54221-93J00	COVER, LOWER MOUNT	2	
21	09116-10175	BOLT (10X50)	4	
22	54165-98J00	STOPPER, LOWER THRUST REVERSE	4	
23	09160-14066	WASHER (14X50X4)	2	
24	29404-93J10	CLAMP, SPEEDOMETER HOSE	1	
25	29103-93J00	BOLT, CLAMP (6X12)	1	
26-1	55321-93J00	ANODE, PROTECTION	1	W/TRANSOM(X)
26-2	55321-93J00	ANODE, PROTECTION	2	W/TRANSOM(XX)
27-1	09116-06094	BOLT (6X15)	1	W/TRANSOM(X)
27-2	09116-06094	BOLT (6X15)	2	W/TRANSOM(XX)

FIG.254

FIG.254 (3-F-12) DRIVE SHAFT HOUSING TRANSOM(X,XX) (DF225T E40)

REF NO.	PART NO.	DESCRIPTION	Q'TY	REMARKS
1	52111-93J11-0EP	HOUSING, DRIVE SHAFT (BLACK)	1	
2	09116-10176	BOLT (10X44)	8	
3	09202-08006	PIN (8X12)	2	
4	57130-87D10	BUSH, DRIVE SHAFT	1	
5	09387-38002	RING	1	
6	09125-06063	SCREW (6X10)	1	
7	52131-93J00-0EP	CASE, EXTENSION (BLACK)	1	W/TRANSOM(XX)
8	09108-10115	STUD BOLT	6	W/TRANSOM(XX)
9	09108-12013	STUD BOLT	1	W/TRANSOM(XX)
10	09202-08006	PIN (8X12)	2	W/TRANSOM(XX)
11	36894-87D00	LEAD, MT BRKT TO HSG	1	
12	09125-06063	SCREW (6X10)	1	
13	54151-93J00	MOUNT, LOWER THRUST	1	
14	54160-93J01	MOUNT, LOWER	2	
15	09100-14004	BOLT (14X220)	2	
16	09160-16050	WASHER (16X32X3)	2	
17	09159-14026	NUT	2	
18	09160-16050	WASHER (16X32X3)	2	
19	54211-93J00	BRACKET, LOWER MOUNT	1	
20	54221-93J00	COVER, LOWER MOUNT	2	
21	09116-10175	BOLT (10X50)	4	
22	54165-98J00	STOPPER, LOWER THRUST REVERSE	4	
23	09160-14066	WASHER (14X50X4)	2	
24	29404-93J10	CLAMP, SPEEDOMETER HOSE	1	
25	29103-93J00	BOLT, CLAMP (6X12)	1	
26-1	55321-93J00	ANODE, PROTECTION	1	W/TRANSOM(X)
26-2	55321-93J00	ANODE, PROTECTION	2	W/TRANSOM(XX)
27-1	09116-06094	BOLT (6X15)	1	W/TRANSOM(X)
27-2	09116-06094	BOLT (6X15)	2	W/TRANSOM(XX)

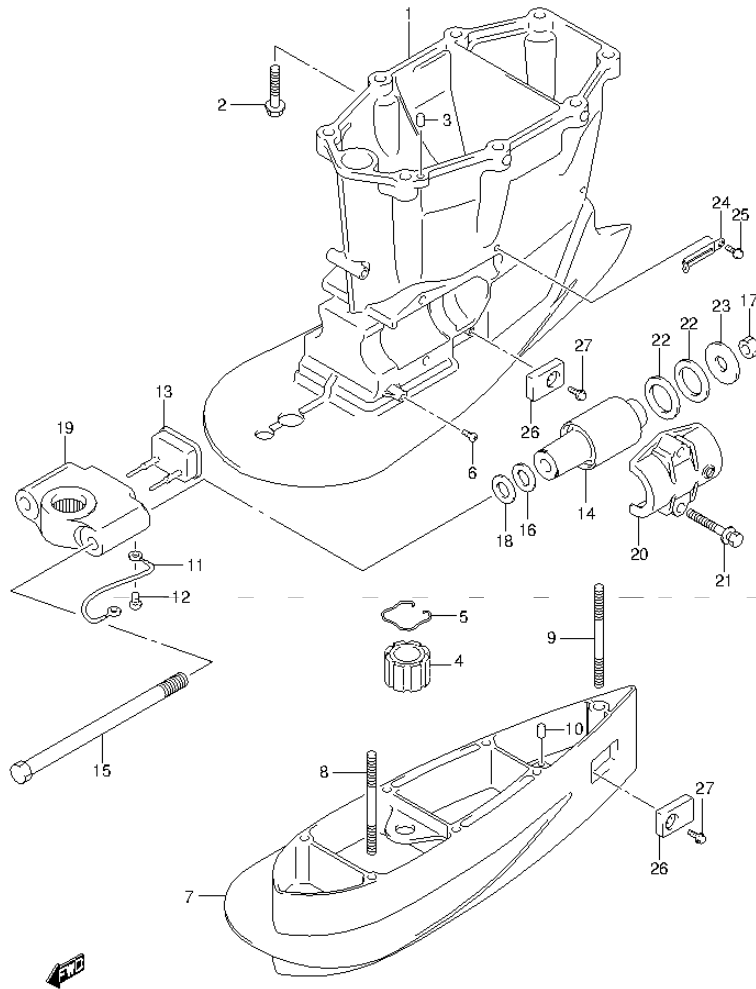
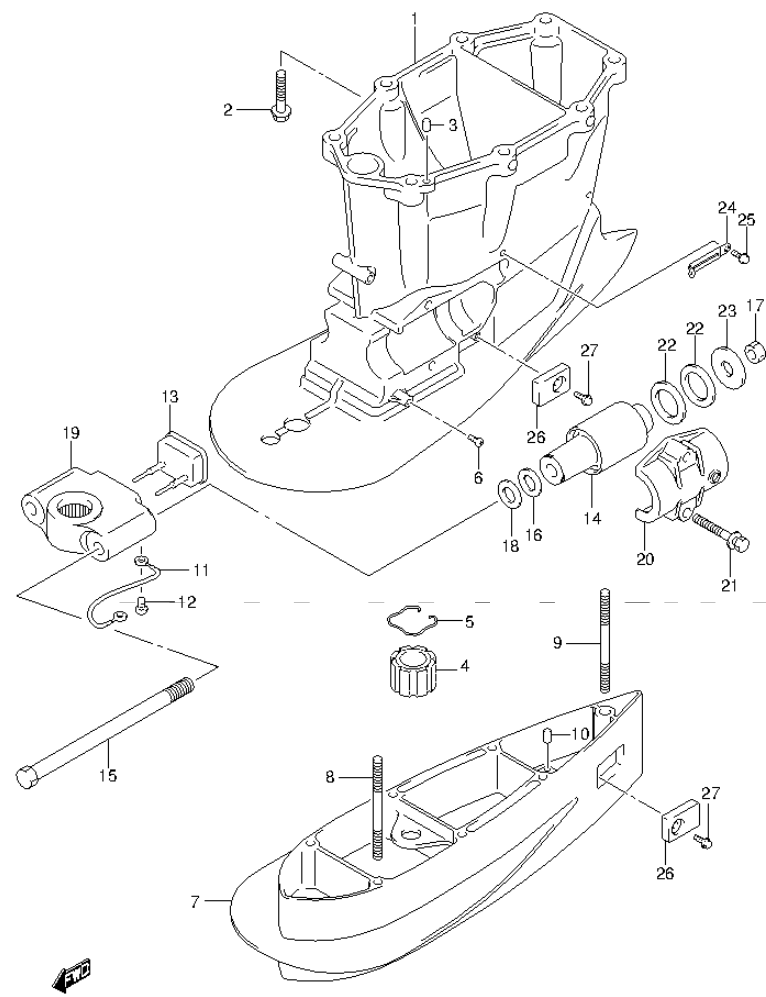


FIG.255

FIG.255 (3-F-13) DRIVE SHAFT HOUSING TRANSOM(X,XX) (DF225Z E1)



REF NO.	PART NO.	DESCRIPTION	Q'TY	REMARKS
1	52111-93J11-0EP	HOUSING, DRIVE SHAFT (BLACK)	1	
2	09116-10176	BOLT (10X44)	8	
3	09202-08006	PIN (8X12)	2	
4	57130-87D10	BUSH, DRIVE SHAFT	1	
5	09387-38002	RING	1	
6	09125-06063	SCREW (6X10)	1	
7	52131-93J00-0EP	CASE, EXTENSION (BLACK)	1	W/TRANSOM(XX)
8	09108-10115	STUD BOLT	6	W/TRANSOM(XX)
9	09108-12013	STUD BOLT	1	W/TRANSOM(XX)
10	09202-08006	PIN (8X12)	2	W/TRANSOM(XX)
11	36894-87D00	LEAD, MT BRKT TO HSG	1	
12	09125-06063	SCREW (6X10)	1	
13	54151-93J00	MOUNT, LOWER THRUST	1	
14	54160-93J01	MOUNT, LOWER	2	
15	09100-14004	BOLT (14X220)	2	
16	09160-16050	WASHER (16X32X3)	2	
17	09159-14026	NUT	2	
18	09160-16050	WASHER (16X32X3)	2	
19	54211-93J00	BRACKET, LOWER MOUNT	1	
20	54221-93J00	COVER, LOWER MOUNT	2	
21	09116-10175	BOLT (10X50)	4	
22	54165-98J00	STOPPER, LOWER THRUST REVERSE	4	
23	09160-14066	WASHER (14X50X4)	2	
24	29404-93J10	CLAMP, SPEEDOMETER HOSE	1	
25	29103-93J00	BOLT, CLAMP (6X12)	1	
26-1	55321-93J00	ANODE, PROTECTION	1	W/TRANSOM(X)
26-2	55321-93J00	ANODE, PROTECTION	2	W/TRANSOM(XX)
27-1	09116-06094	BOLT (6X15)	1	W/TRANSOM(X)
27-2	09116-06094	BOLT (6X15)	2	W/TRANSOM(XX)

FIG.256

FIG.256 (3-F-14) DRIVE SHAFT HOUSING TRANSOM(X,XX) (DF225Z E40)

REF NO.	PART NO.	DESCRIPTION	Q'TY	REMARKS
1	52111-93J11-0EP	HOUSING, DRIVE SHAFT (BLACK)	1	
2	09116-10176	BOLT (10X44)	8	
3	09202-08006	PIN (8X12)	2	
4	57130-87D10	BUSH, DRIVE SHAFT	1	
5	09387-38002	RING	1	
6	09125-06063	SCREW (6X10)	1	
7	52131-93J00-0EP	CASE, EXTENSION (BLACK)	1	W/TRANSOM(XX)
8	09108-10115	STUD BOLT	6	W/TRANSOM(XX)
9	09108-12013	STUD BOLT	1	W/TRANSOM(XX)
10	09202-08006	PIN (8X12)	2	W/TRANSOM(XX)
11	36894-87D00	LEAD, MT BRKT TO HSG	1	
12	09125-06063	SCREW (6X10)	1	
13	54151-93J00	MOUNT, LOWER THRUST	1	
14	54160-93J01	MOUNT, LOWER	2	
15	09100-14004	BOLT (14X220)	2	
16	09160-16050	WASHER (16X32X3)	2	
17	09159-14026	NUT	2	
18	09160-16050	WASHER (16X32X3)	2	
19	54211-93J00	BRACKET, LOWER MOUNT	1	
20	54221-93J00	COVER, LOWER MOUNT	2	
21	09116-10175	BOLT (10X50)	4	
22	54165-98J00	STOPPER, LOWER THRUST REVERSE	4	
23	09160-14066	WASHER (14X50X4)	2	
24	29404-93J10	CLAMP, SPEEDOMETER HOSE	1	
25	29103-93J00	BOLT, CLAMP (6X12)	1	
26-1	55321-93J00	ANODE, PROTECTION	1	W/TRANSOM(X)
26-2	55321-93J00	ANODE, PROTECTION	2	W/TRANSOM(XX)
27-1	09116-06094	BOLT (6X15)	1	W/TRANSOM(X)
27-2	09116-06094	BOLT (6X15)	2	W/TRANSOM(XX)

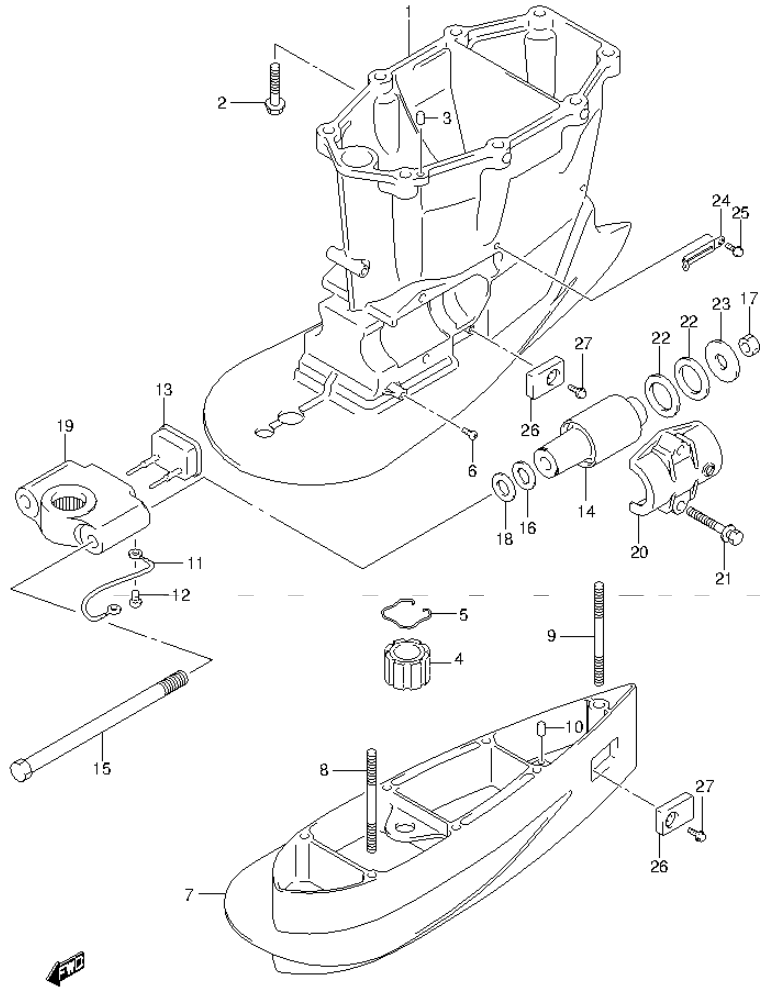


FIG.257

FIG.257 (3-F-15) DRIVE SHAFT HOUSING TRANSOM(X,XX) (DF250T E1)

REF NO.	PART NO.	DESCRIPTION	Q'TY	REMARKS
1	52111-93J11-0EP	HOUSING, DRIVE SHAFT (BLACK)	1	
2	09116-10176	BOLT (10X44)	8	
3	09202-08006	PIN (8X12)	2	
4	57130-87D10	BUSH, DRIVE SHAFT	1	
5	09387-38002	RING	1	
6	09125-06063	SCREW (6X10)	1	
7	52131-93J00-0EP	CASE, EXTENSION (BLACK)	1	W/TRANSOM(XX)
8	09108-10115	STUD BOLT	6	W/TRANSOM(XX)
9	09108-12013	STUD BOLT	1	W/TRANSOM(XX)
10	09202-08006	PIN (8X12)	2	W/TRANSOM(XX)
11	36894-87D00	LEAD, MT BRKT TO HSG	1	
12	09125-06063	SCREW (6X10)	1	
13	54151-93J00	MOUNT, LOWER THRUST	1	
14	54160-93J01	MOUNT, LOWER	2	
15	09100-14004	BOLT (14X220)	2	
16	09160-16050	WASHER (16X32X3)	2	
17	09159-14026	NUT	2	
18	09160-16050	WASHER (16X32X3)	2	
19	54211-93J00	BRACKET, LOWER MOUNT	1	
20	54221-93J00	COVER, LOWER MOUNT	2	
21	09116-10175	BOLT (10X50)	4	
22	54165-98J00	STOPPER, LOWER THRUST REVERSE	4	
23	09160-14066	WASHER (14X50X4)	2	
24	29404-93J10	CLAMP, SPEEDOMETER HOSE	1	
25	29103-93J00	BOLT, CLAMP (6X12)	1	
26-1	55321-93J00	ANODE, PROTECTION	1	W/TRANSOM(X)
26-2	55321-93J00	ANODE, PROTECTION	2	W/TRANSOM(XX)
27-1	09116-06094	BOLT (6X15)	1	W/TRANSOM(X)
27-2	09116-06094	BOLT (6X15)	2	W/TRANSOM(XX)

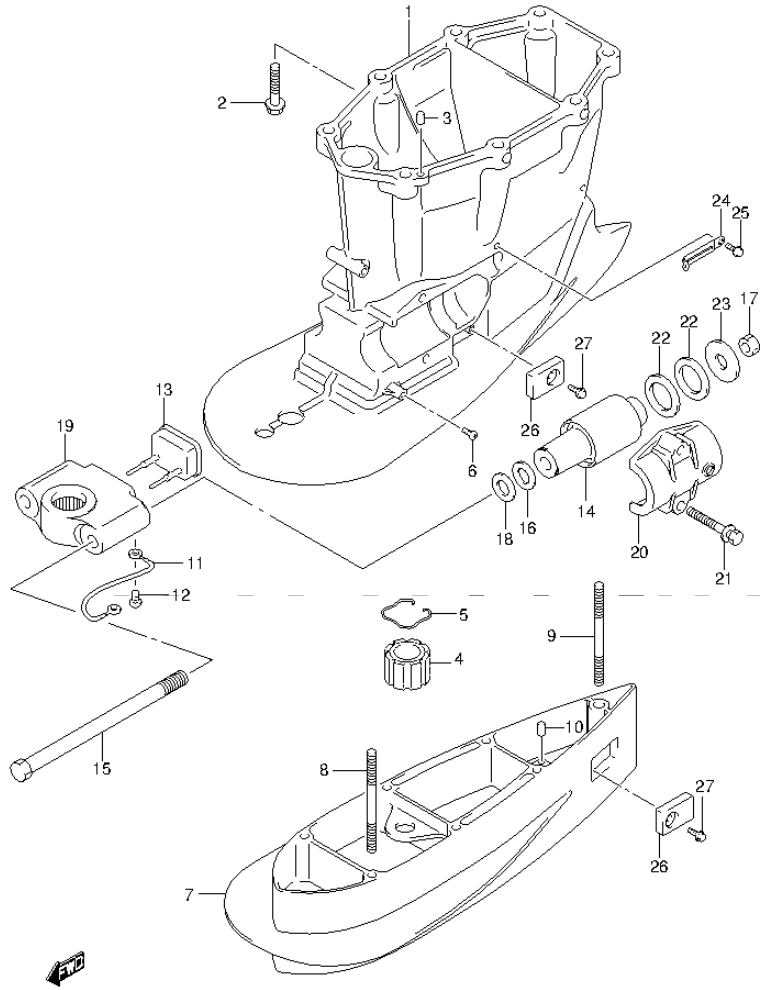


FIG.258

FIG.258 (3-G-2) DRIVE SHAFT HOUSING TRANSOM(X,XX) (DF250T E40)

REF NO.	PART NO.	DESCRIPTION	Q'TY	REMARKS
1	52111-93J11-0EP	HOUSING, DRIVE SHAFT (BLACK)	1	
2	09116-10176	BOLT (10X44)	8	
3	09202-08006	PIN (8X12)	2	
4	57130-87D10	BUSH, DRIVE SHAFT	1	
5	09387-38002	RING	1	
6	09125-06063	SCREW (6X10)	1	
7	52131-93J00-0EP	CASE, EXTENSION (BLACK)	1	W/TRANSOM(XX)
8	09108-10115	STUD BOLT	6	W/TRANSOM(XX)
9	09108-12013	STUD BOLT	1	W/TRANSOM(XX)
10	09202-08006	PIN (8X12)	2	W/TRANSOM(XX)
11	36894-87D00	LEAD, MT BRKT TO HSG	1	
12	09125-06063	SCREW (6X10)	1	
13	54151-93J00	MOUNT, LOWER THRUST	1	
14	54160-93J01	MOUNT, LOWER	2	
15	09100-14004	BOLT (14X220)	2	
16	09160-16050	WASHER (16X32X3)	2	
17	09159-14026	NUT	2	
18	09160-16050	WASHER (16X32X3)	2	
19	54211-93J00	BRACKET, LOWER MOUNT	1	
20	54221-93J00	COVER, LOWER MOUNT	2	
21	09116-10175	BOLT (10X50)	4	
22	54165-98J00	STOPPER, LOWER THRUST REVERSE	4	
23	09160-14066	WASHER (14X50X4)	2	
24	29404-93J10	CLAMP, SPEEDOMETER HOSE	1	
25	29103-93J00	BOLT, CLAMP (6X12)	1	
26-1	55321-93J00	ANODE, PROTECTION	1	W/TRANSOM(X)
26-2	55321-93J00	ANODE, PROTECTION	2	W/TRANSOM(XX)
27-1	09116-06094	BOLT (6X15)	1	W/TRANSOM(X)
27-2	09116-06094	BOLT (6X15)	2	W/TRANSOM(XX)

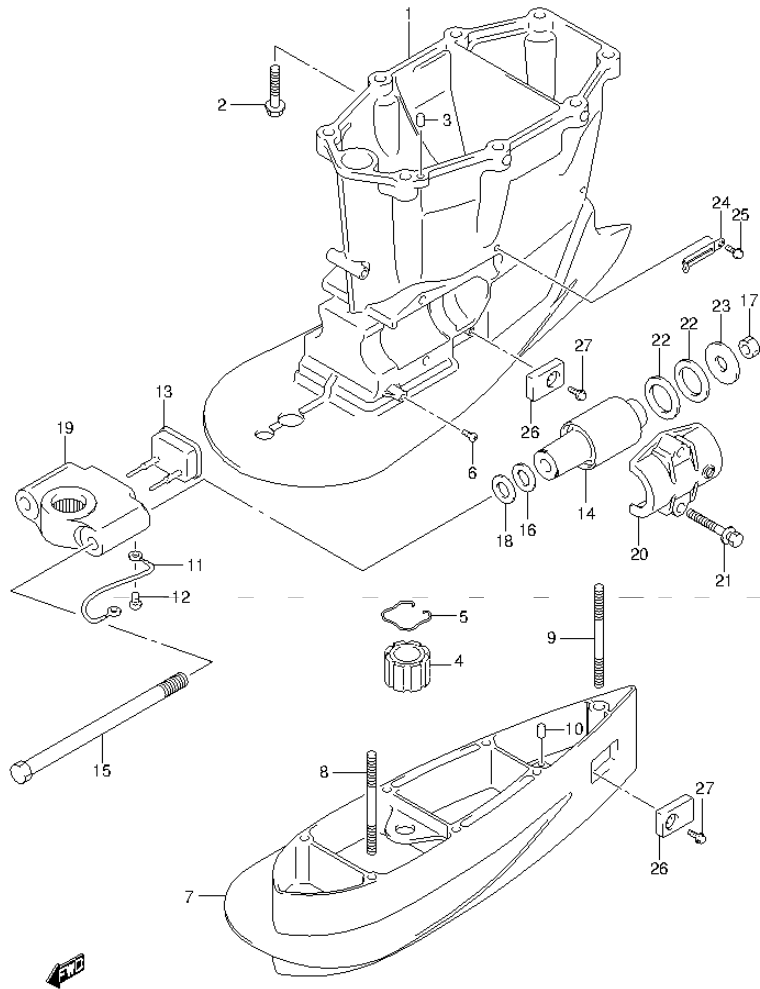


FIG.259

FIG.259 (3-G-3) DRIVE SHAFT HOUSING TRANSOM(X,XX) (DF250Z E1)

REF NO.	PART NO.	DESCRIPTION	Q'TY	REMARKS
1	52111-93J11-0EP	HOUSING, DRIVE SHAFT (BLACK)	1	
2	09116-10176	BOLT (10X44)	8	
3	09202-08006	PIN (8X12)	2	
4	57130-87D10	BUSH, DRIVE SHAFT	1	
5	09387-38002	RING	1	
6	09125-06063	SCREW (6X10)	1	
7	52131-93J00-0EP	CASE, EXTENSION (BLACK)	1	W/TRANSOM(XX)
8	09108-10115	STUD BOLT	6	W/TRANSOM(XX)
9	09108-12013	STUD BOLT	1	W/TRANSOM(XX)
10	09202-08006	PIN (8X12)	2	W/TRANSOM(XX)
11	36894-87D00	LEAD, MT BRKT TO HSG	1	
12	09125-06063	SCREW (6X10)	1	
13	54151-93J00	MOUNT, LOWER THRUST	1	
14	54160-93J01	MOUNT, LOWER	2	
15	09100-14004	BOLT (14X220)	2	
16	09160-16050	WASHER (16X32X3)	2	
17	09159-14026	NUT	2	
18	09160-16050	WASHER (16X32X3)	2	
19	54211-93J00	BRACKET, LOWER MOUNT	1	
20	54221-93J00	COVER, LOWER MOUNT	2	
21	09116-10175	BOLT (10X50)	4	
22	54165-98J00	STOPPER, LOWER THRUST REVERSE	4	
23	09160-14066	WASHER (14X50X4)	2	
24	29404-93J10	CLAMP, SPEEDOMETER HOSE	1	
25	29103-93J00	BOLT, CLAMP (6X12)	1	
26-1	55321-93J00	ANODE, PROTECTION	1	W/TRANSOM(X)
26-2	55321-93J00	ANODE, PROTECTION	2	W/TRANSOM(XX)
27-1	09116-06094	BOLT (6X15)	1	W/TRANSOM(X)
27-2	09116-06094	BOLT (6X15)	2	W/TRANSOM(XX)

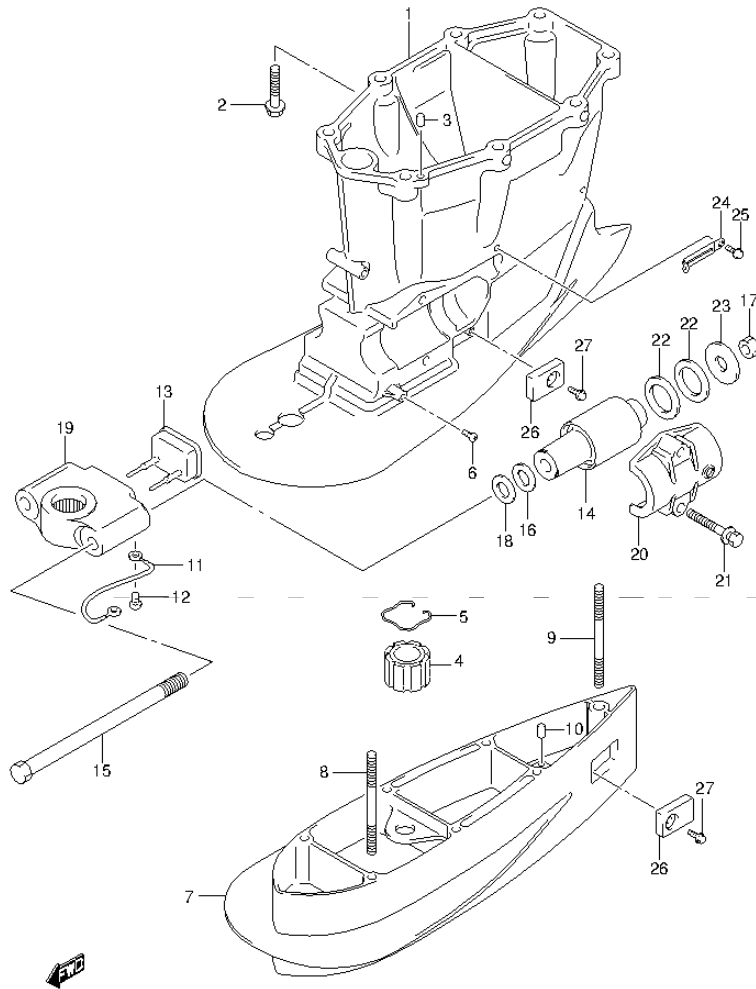


FIG.260

FIG.260 (3-G-4) DRIVE SHAFT HOUSING TRANSOM(X,XX) (DF250Z E40)

REF NO.	PART NO.	DESCRIPTION	Q'TY	REMARKS
1	52111-93J11-0EP	HOUSING, DRIVE SHAFT (BLACK)	1	
2	09116-10176	BOLT (10X44)	8	
3	09202-08006	PIN (8X12)	2	
4	57130-87D10	BUSH, DRIVE SHAFT	1	
5	09387-38002	RING	1	
6	09125-06063	SCREW (6X10)	1	
7	52131-93J00-0EP	CASE, EXTENSION (BLACK)	1	W/TRANSOM(XX)
8	09108-10115	STUD BOLT	6	W/TRANSOM(XX)
9	09108-12013	STUD BOLT	1	W/TRANSOM(XX)
10	09202-08006	PIN (8X12)	2	W/TRANSOM(XX)
11	36894-87D00	LEAD, MT BRKT TO HSG	1	
12	09125-06063	SCREW (6X10)	1	
13	54151-93J00	MOUNT, LOWER THRUST	1	
14	54160-93J01	MOUNT, LOWER	2	
15	09100-14004	BOLT (14X220)	2	
16	09160-16050	WASHER (16X32X3)	2	
17	09159-14026	NUT	2	
18	09160-16050	WASHER (16X32X3)	2	
19	54211-93J00	BRACKET, LOWER MOUNT	1	
20	54221-93J00	COVER, LOWER MOUNT	2	
21	09116-10175	BOLT (10X50)	4	
22	54165-98J00	STOPPER, LOWER THRUST REVERSE	4	
23	09160-14066	WASHER (14X50X4)	2	
24	29404-93J10	CLAMP, SPEEDOMETER HOSE	1	
25	29103-93J00	BOLT, CLAMP (6X12)	1	
26-1	55321-93J00	ANODE, PROTECTION	1	W/TRANSOM(X)
26-2	55321-93J00	ANODE, PROTECTION	2	W/TRANSOM(XX)
27-1	09116-06094	BOLT (6X15)	1	W/TRANSOM(X)
27-2	09116-06094	BOLT (6X15)	2	W/TRANSOM(XX)

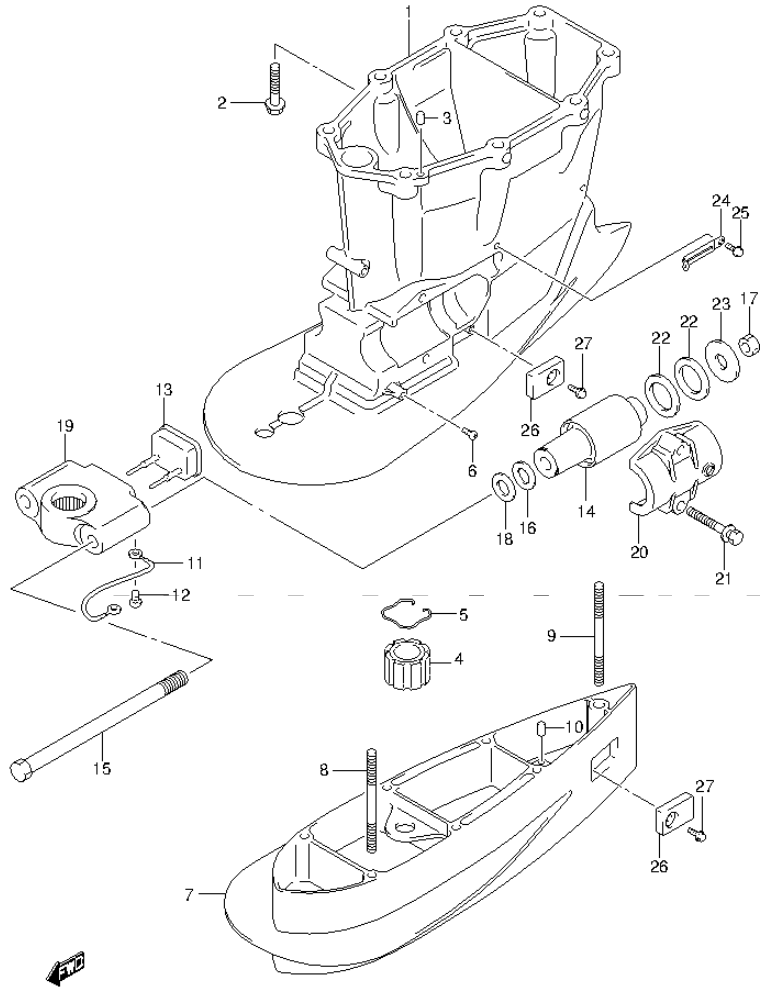


FIG.261

FIG.261 (3-G-5) DRIVE SHAFT HOUSING TRANSOM(L) (DF200T E1)

REF NO.	PART NO.	DESCRIPTION	Q'TY	REMARKS
1	52111-93J20-0EP	HOUSING, DRIVE SHAFT (BLACK)	1	
2	09116-10176	BOLT (10X44)	6	
3	09202-08006	PIN (8X12)	2	
4	29141-93J20	NUT, DRIVE SHAFT HSG STUD	2	
5	09108-10150	STUD BOLT	2	
6	09160-10141	WASHER (10.5X19X2)	2	
7	09125-06063	SCREW (6X10)	1	
8	54151-93J00	MOUNT, LOWER THRUST	1	
9	54160-93J01	MOUNT, LOWER	2	
10	09100-14004	BOLT (14X220)	2	
11	09160-16050	WASHER (16X32X3)	2	
12	09159-14026	NUT	2	
13	09160-16050	WASHER (16X32X3)	2	
14	54211-93J00	BRACKET, LOWER MOUNT	1	
15	54221-93J00	COVER, LOWER MOUNT	2	
16	09116-10175	BOLT (10X50)	4	
17	54165-98J00	STOPPER, LOWER THRUST REVERSE	4	
18	09160-14066	WASHER (14X50X4)	2	
19	36894-87D00	LEAD (MOUNT BRKT TO HSG)	1	
20	09125-06063	SCREW (6X10)	1	

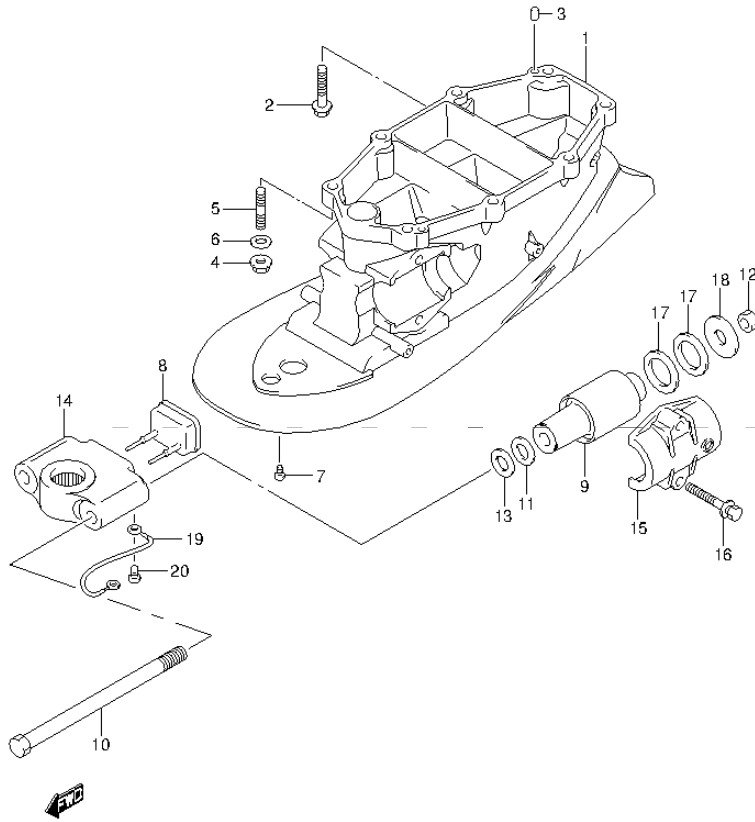


FIG.262

FIG.262 (3-G-6) DRIVE SHAFT HOUSING TRANSOM(L) (DF200T E40)

REF NO.	PART NO.	DESCRIPTION	Q'TY	REMARKS
1	52111-93J20-0EP	HOUSING, DRIVE SHAFT (BLACK)	1	
2	09116-10176	BOLT (10X44)	6	
3	09202-08006	PIN (8X12)	2	
4	29141-93J20	NUT, DRIVE SHAFT HSG STUD	2	
5	09108-10150	STUD BOLT	2	
6	09160-10141	WASHER (10.5X19X2)	2	
7	09125-06063	SCREW (6X10)	1	
8	54151-93J00	MOUNT, LOWER THRUST	1	
9	54160-93J01	MOUNT, LOWER	2	
10	09100-14004	BOLT (14X220)	2	
11	09160-16050	WASHER (16X32X3)	2	
12	09159-14026	NUT	2	
13	09160-16050	WASHER (16X32X3)	2	
14	54211-93J00	BRACKET, LOWER MOUNT	1	
15	54221-93J00	COVER, LOWER MOUNT	2	
16	09116-10175	BOLT (10X50)	4	
17	54165-98J00	STOPPER, LOWER THRUST REVERSE	4	
18	09160-14066	WASHER (14X50X4)	2	
19	36894-87D00	LEAD (MOUNT BRKT TO HSG)	1	
20	09125-06063	SCREW (6X10)	1	

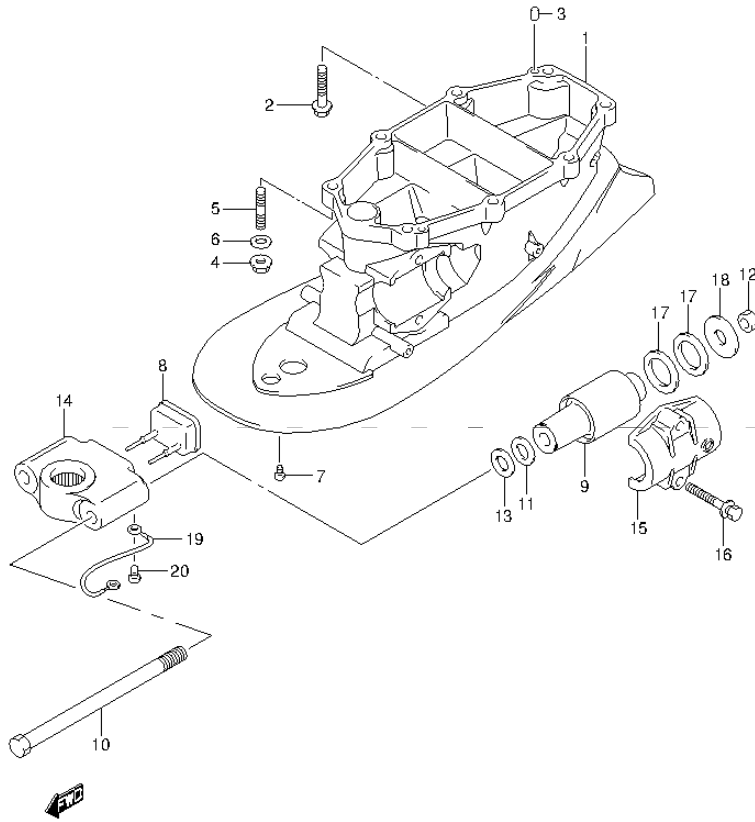


FIG.263

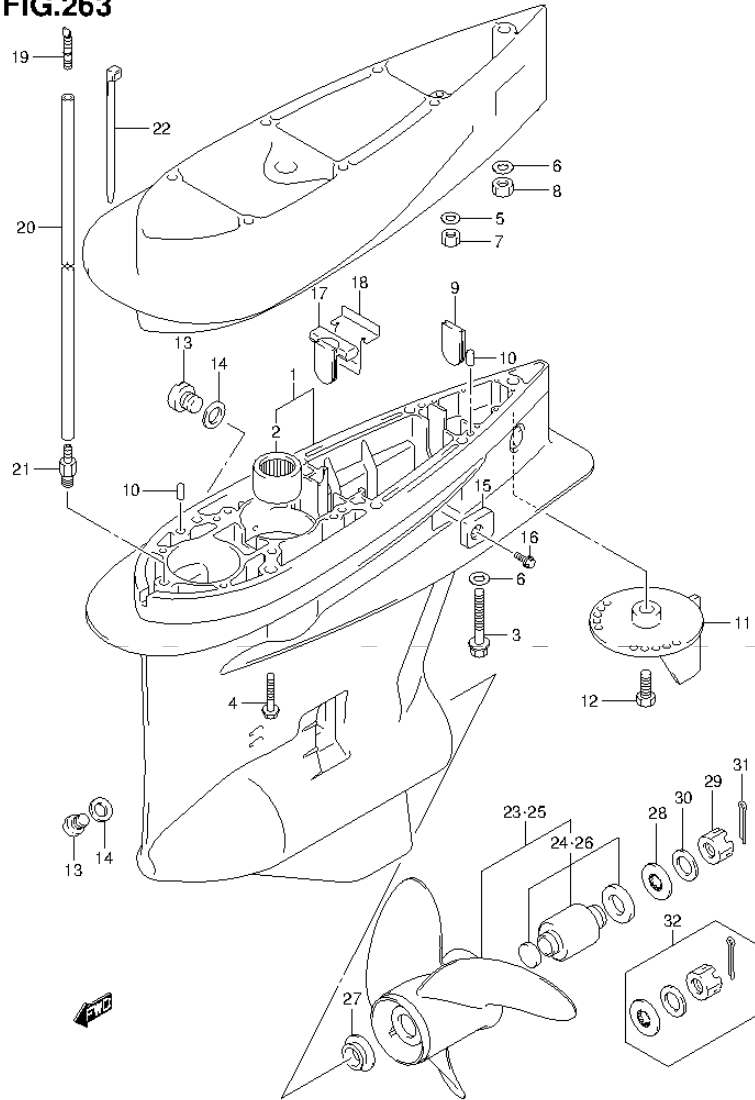


FIG.263 (3-G-7) GEAR CASE (DF200T E1)

REF NO.	PART NO.	DESCRIPTION	Q'TY	REMARKS
1	55110-93J20-0EP	CASE, GEAR (BLACK)	1	
2	09263-32017	BEARING (32X48X30)	1	
3	09100-12052	BOLT (12X70)	1	W/TRANSOM(L,X)
4	09116-10150	BOLT (10X55)	6	W/TRANSOM(L,X)
5	09160-10141	WASHER (10.5X19X2)	6	W/TRANSOM(XX)
6	09160-12066	WASHER (12.5X22X2.5)	1	
7	29141-93J20	NUT, EXTENSION BOLT NO.1	6	W/TRANSOM(XX)
8	09159-12014	NUT	1	W/TRANSOM(XX)
9	17566-87D11	GROMMET, GEAR CASE	1	
10	09202-08006	PIN (8X12)	2	
11	55125-98J00-0EP	TAB, TRIM (BLACK)	1	
12	09116-08137	BOLT (8X22)	1	
13	55128-93J10	PLUG, DRAIN	3	
14	09168-10034	GASKET (9.5X16.5X2)	3	
15	55321-93J00	ANODE, PROTECTION	2	
16	09116-06094	BOLT (6X15)	2	
17	55332-87D11	RUBBER, EXHAUST SEAL	1	
18	55333-87D10	PLATE, EXHAUST SEAL	1	
19	55127-87D00	UNION, SPEEDOMETER HOSE	1	
20	09355-40805-00B	HOSE (4X8X2000)	1	L:2000->1700
21	09362-09008	UNION	1	
22	09407-10404	CLAMP (L:100)	2	
23-1	58200-93L00	PROPELLER (3X16X17)	1	
23-2	58200-93L10	PROPELLER (3X16X18.5)	1	
23-3	58200-93L20	PROPELLER (3X16X20)	1	
23-4	58200-93L30	PROPELLER (3X16X21.5)	1	
23-5	58200-93L40	PROPELLER (3X16X23)	1	
23-6	58200-93L50	PROPELLER (3X16X24.5)	1	
23-7	58200-93L60	PROPELLER (3X16X26)	1	OPT
23-8	58200-93L70	PROPELLER (3X16X27.5)	1	OPT
24	58105-93J10	BUSH SET, PROPELLER	1	
25-1	58200-96J00	PROPELLER (3X15.5X17)	1	OPT
25-2	58200-96J10	PROPELLER (3X15.25X19)	1	OPT
25-3	58200-96J20	PROPELLER (3X14.75X21)	1	OPT

FIG.263

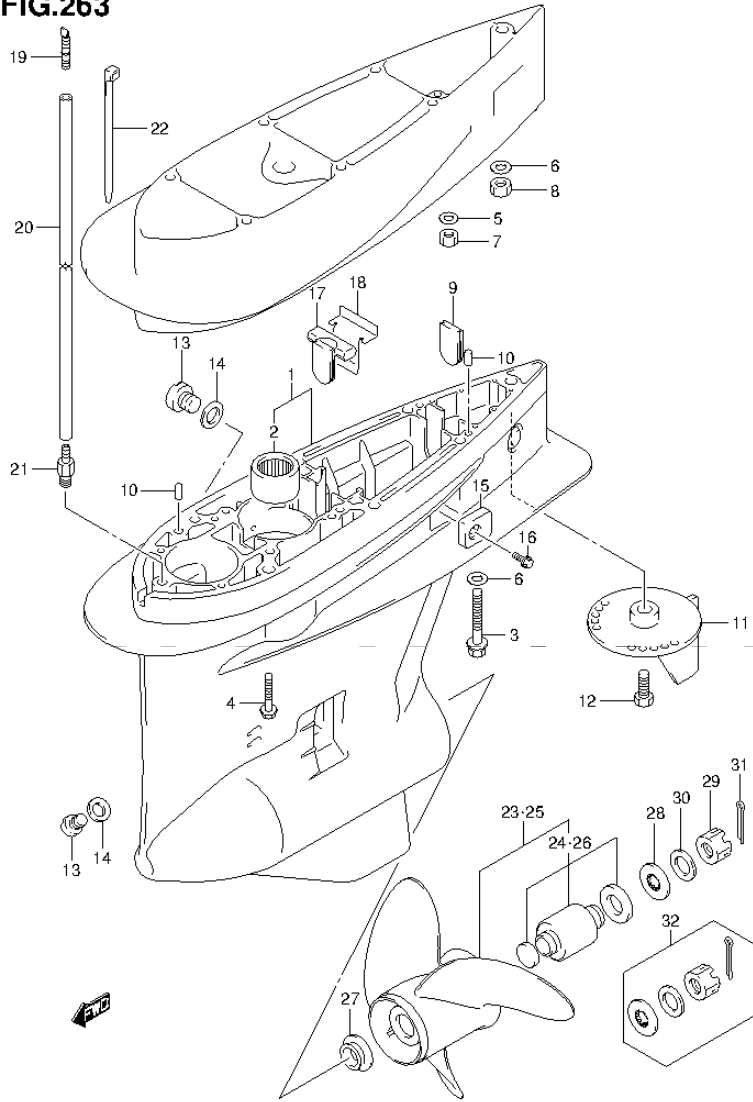


FIG.263 (3-G-8) GEAR CASE (DF200T E1)

REF NO.	PART NO.	DESCRIPTION	Q'TY	REMARKS
25-4	58200-96J30	PROPELLER (3X14.75X23)	1	OPT
25-5	58200-96J40	PROPELLER (3X14.5X25)	1	OPT
25-6	58200-96J50	PROPELLER (3X14.5X27)	1	OPT
26	58105-93J00	BUSH SET, PROPELLER	1	OPT
27	57632-93L00	STOPPER, PROPELLER BUSH	1	
28	57633-87D30	SPACER, PROPELLER NUT	1	
29	09141-18005	NUT	1	
30	09160-18028	WASHER (18.5X31X1)	1	
31	09204-03003	COTTER PIN	1	
32	57630-92E00	KIT, PROPELLER NUT	1	OPT
33	25700-93J00	KIT, GEAR CASE SEALING	1	OPT NOT ILLUSTRATED

FIG.264

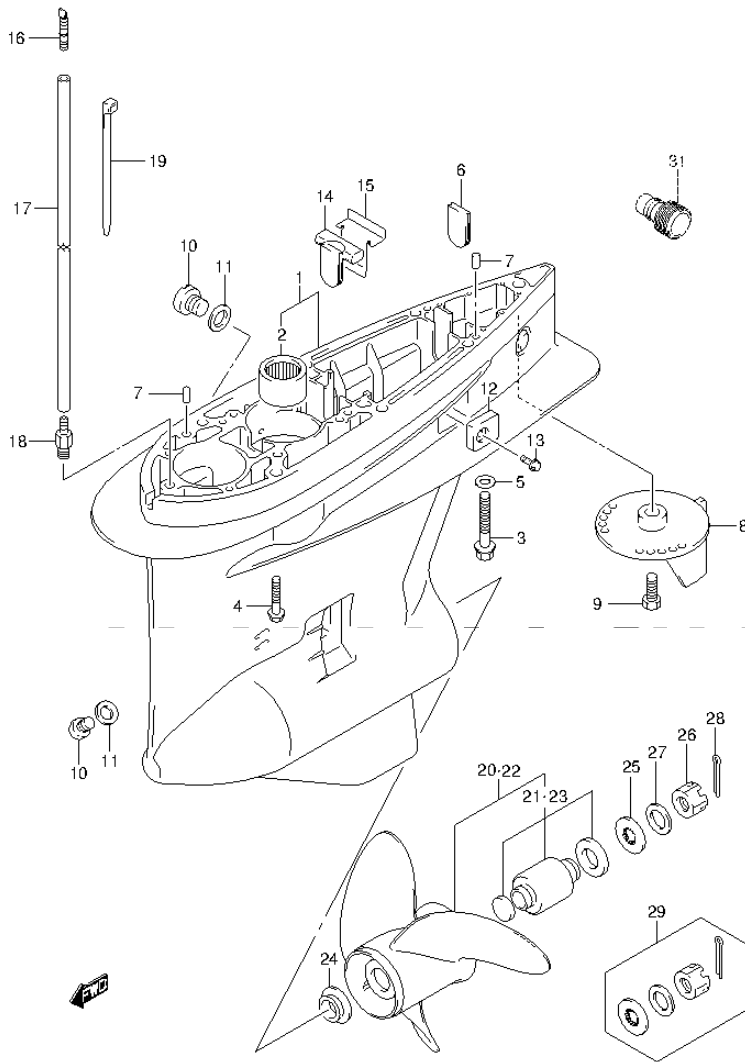


FIG.264 (3-G-9) GEAR CASE (DF200T E40)

REF NO.	PART NO.	DESCRIPTION	Q'TY	REMARKS
1	55110-93J20-0EP	CASE, GEAR (BLACK)	1	
2	09263-32017	BEARING (32X48X30)	1	
3	09100-12052	BOLT (12X70)	1	W/TRANSOM(L,X)
4	09116-10150	BOLT (10X55)	6	W/TRANSOM(L,X)
5	09160-12066	WASHER (12.5X22X2.5)	1	
6	17566-87D11	GROMMET, GEAR CASE	1	
7	09202-08006	PIN (8X12)	2	
8	55125-98J00-0EP	TAB, TRIM (BLACK)	1	
9	09116-08137	BOLT (8X22)	1	
10	55128-93J10	PLUG, DRAIN	3	
11	09168-10034	GASKET (9.5X16.5X2)	3	
12	55321-93J00	ANODE, PROTECTION	2	
13	09116-06094	BOLT (6X15)	2	
14	55332-87D11	RUBBER, EXHAUST SEAL	1	
15	55333-87D10	PLATE, EXHAUST SEAL	1	
16	55127-87D00	UNION, SPEEDOMETER HOSE	1	
17	09355-40805-00B	HOSE (4X8X2000)	1	L:2000->1700
18	09362-09008	UNION	1	
19	09407-10404	CLAMP (L:100)	2	
20-1	58200-93L00	PROPELLER (3X16X17)	1	
20-2	58200-93L10	PROPELLER (3X16X18.5)	1	
20-3	58200-93L20	PROPELLER (3X16X20)	1	
20-4	58200-93L30	PROPELLER (3X16X21.5)	1	
20-5	58200-93L40	PROPELLER (3X16X23)	1	
20-6	58200-93L50	PROPELLER (3X16X24.5)	1	
20-7	58200-93L60	PROPELLER (3X16X26)	1	OPT
20-8	58200-93L70	PROPELLER (3X16X27.5)	1	OPT
21	58105-93J10	BUSH SET, PROPELLER	1	
22-1	58200-96J00	PROPELLER (3X15.5X17)	1	OPT
22-2	58200-96J10	PROPELLER (3X15.25X19)	1	OPT
22-3	58200-96J20	PROPELLER (3X14.75X21)	1	OPT
22-4	58200-96J30	PROPELLER (3X14.75X23)	1	OPT
22-5	58200-96J40	PROPELLER (3X14.5X25)	1	OPT
22-6	58200-96J50	PROPELLER (3X14.5X27)	1	OPT

FIG.264

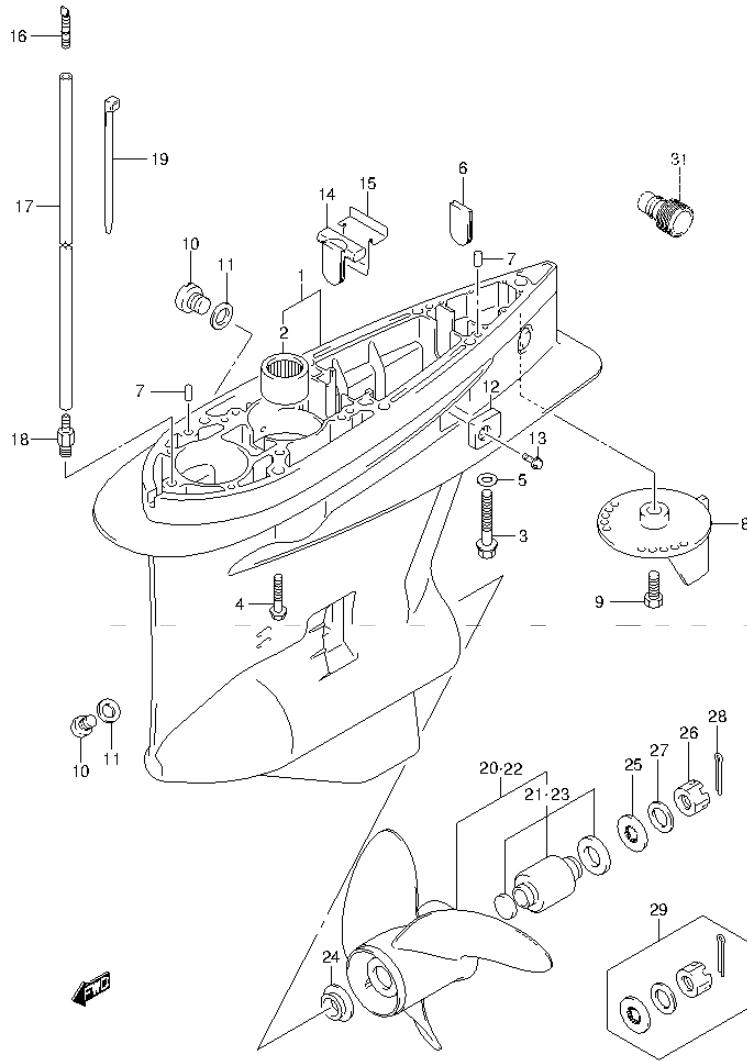


FIG.264 (3-G-10) GEAR CASE (DF200T E40)

REF NO.	PART NO.	DESCRIPTION	Q'TY	REMARKS
23	58105-93J00	BUSH SET, PROPELLER	1	OPT
24	57632-93L00	STOPPER, PROPELLER BUSH	1	
25	57633-87D30	SPACER, PROPELLER NUT	1	
26	09141-18005	NUT	1	
27	09160-18028	WASHER (18.5X31X1)	1	
28	09204-03003	COTTER PIN	1	
29	57630-92E00	KIT, PROPELLER NUT	1	OPT
30	25700-93J00	KIT, GEAR CASE SEALING	1	OPT
31	17917-87L00	CONNECTOR, FLUSH WATER	1	NOT ILLUSTRATED

FIG.265

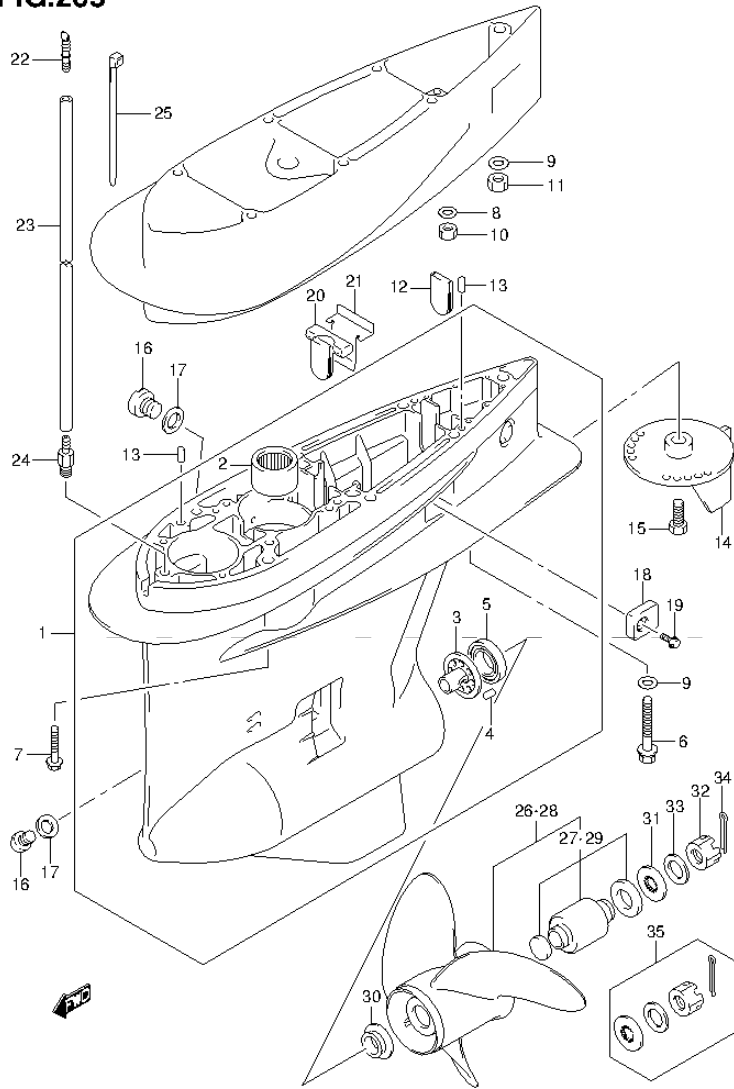


FIG.265 (3-G-11) GEAR CASE (DF200Z E1)

REF NO.	PART NO.	DESCRIPTION	Q'TY	REMARKS
1	55110-93J30-0EP	CASE, GEAR (BLACK)	1	
2	09263-32017	BEARING (32X48X30)	1	
3	56145-93J00	HOUSING, SHIFT CAM	1	
4	04221-08129	PIN	1	
5	09265-50002	BEARING (50X90X21.75)	1	
6	09100-12052	BOLT (12X70)	1	W/TRANSOM(X)
7	09116-10150	BOLT (10X55)	6	W/TRANSOM(X)
8	09160-10141	WASHER (10.5X19X2)	6	W/TRANSOM(XX)
9	09160-12066	WASHER (12.5X22X2.5)	1	
10	29141-93J20	NUT, EXTENSION BOLT NO.1	6	W/TRANSOM(XX)
11	09159-12014	NUT	1	W/TRANSOM(XX)
12	17566-87D11	GROMMET, GEAR CASE	1	
13	09202-08006	PIN (8X12)	2	
14	55125-98J00-0EP	TAB, TRIM (BLACK)	1	
15	09116-08137	BOLT (8X22)	1	
16	55128-93J10	PLUG, DRAIN	3	
17	09168-10034	GASKET (9.5X16.5X2)	3	
18	55321-93J00	ANODE, PROTECTION	2	
19	09116-06094	BOLT (6X15)	2	
20	55332-87D11	RUBBER, EXHAUST SEAL	1	
21	55333-87D10	PLATE, EXHAUST SEAL	1	
22	55127-87D00	UNION, SPEEDOMETER HOSE	1	
23	09355-40805-00B	HOSE (4X8X2000)	1	L:2000->1700
24	09362-09008	UNION	1	
25	09407-10404	CLAMP (L:100)	2	
26-1	58200-93LA0	PROPELLER (3X16X18.5)	1	
26-2	58200-93LB0	PROPELLER (3X16X20)	1	
26-3	58200-93LC0	PROPELLER (3X16X21.5)	1	
26-4	58200-93LD0	PROPELLER (3X16X23)	1	
26-5	58200-93LE0	PROPELLER (3X16X17)	1	
26-6	58200-93LF0	PROPELLER (3X16X24.5)	1	OPT
26-7	58200-93LG0	PROPELLER (3X16X26)	1	OPT
27	58105-93J10	BUSH SET, PROPELLER	1	
28-1	58200-96JA0	PROPELLER (3X15.5X17)	1	OPT

FIG.265

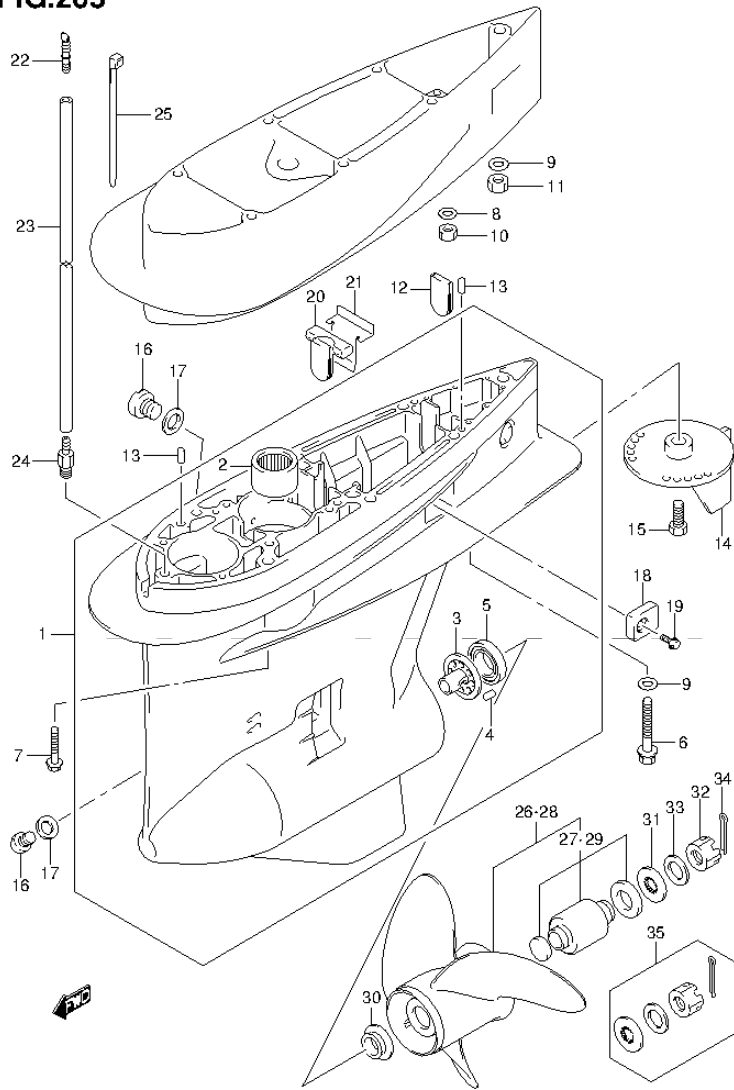


FIG.265 (3-G-12) GEAR CASE (DF200Z E1)

REF NO.	PART NO.	DESCRIPTION	Q'TY	REMARKS
28-2	58200-96JB0	PROPELLER (3X15.25X19)	1	OPT
28-3	58200-96JC0	PROPELLER (3X14.75X21)	1	OPT
28-4	58200-96JD0	PROPELLER (3X14.75X23)	1	OPT
28-5	58200-96JE0	PROPELLER (3X14.5X25)	1	OPT
28-6	58200-96JF0	PROPELLER (3X14.5X27)	1	OPT
29	58105-93J00	BUSH SET, PROPELLER	1	OPT
30	57632-93L00	STOPPER, PROPELLER BUSH	1	
31	57633-87D30	SPACER, PROPELLER NUT	1	
32	09141-18005	NUT	1	
33	09160-18028	WASHER (18.5X31X1)	1	
34	09204-03003	COTTER PIN	1	
35	57630-92E00	KIT, PROPELLER NUT	1	OPT
36	25700-93J00	KIT, GEAR CASE SEALING	1	OPT

NOT ILLUSTRATED

FIG.266

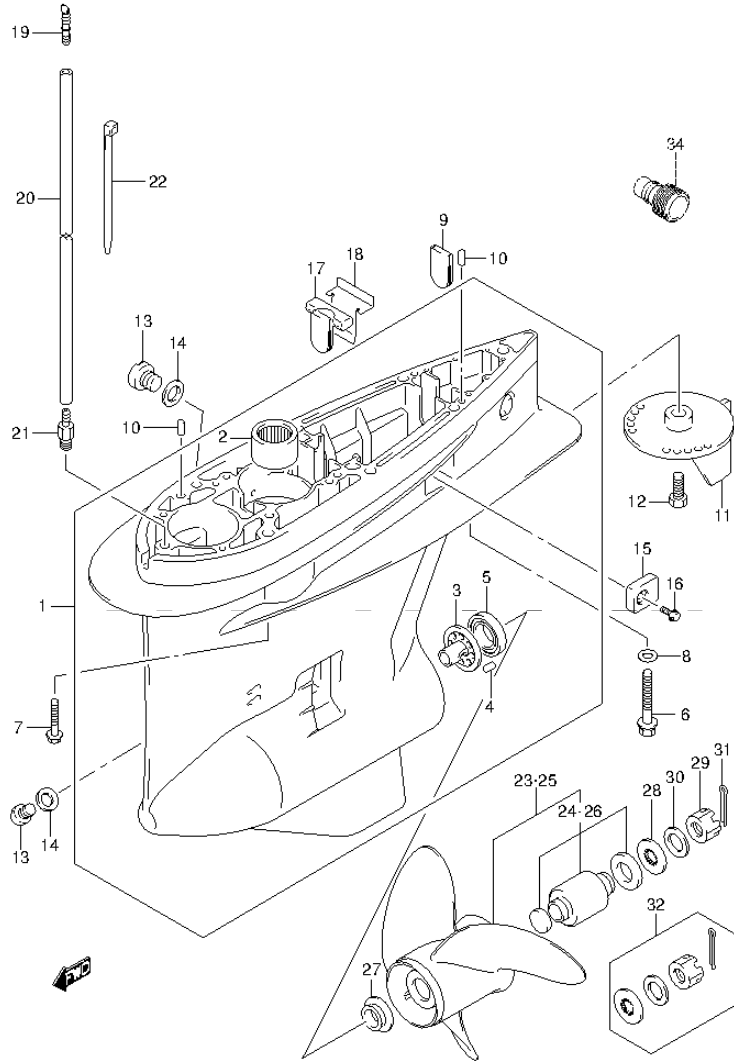


FIG.266 (3-G-13) GEAR CASE (DF200Z E40)

REF NO.	PART NO.	DESCRIPTION	Q'TY	REMARKS
1	55110-93J30-0EP	CASE, GEAR (BLACK)	1	
2	09263-32017	BEARING (32X48X30)	1	
3	56145-93J00	HOUSING, SHIFT CAM	1	
4	04221-08129	PIN	1	
5	09265-50002	BEARING (50X90X21.75)	1	
6	09100-12052	BOLT (12X70)	1	
7	09116-10150	BOLT (10X55)	6	
8	09160-12066	WASHER (12.5X22X2.5)	1	
9	17566-87D11	GROMMET, GEAR CASE	1	
10	09202-08006	PIN (8X12)	2	
11	55125-98J00-0EP	TAB, TRIM (BLACK)	1	
12	09116-08137	BOLT (8X22)	1	
13	55128-93J10	PLUG, DRAIN	3	
14	09168-10034	GASKET (9.5X16.5X2)	3	
15	55321-93J00	ANODE, PROTECTION	2	
16	09116-06094	BOLT (6X15)	2	
17	55332-87D11	RUBBER, EXHAUST SEAL	1	
18	55333-87D10	PLATE, EXHAUST SEAL	1	
19	55127-87D00	UNION, SPEEDOMETER HOSE	1	
20	09355-40805-00B	HOSE (4X8X2000)	1	L:2000->1700
21	09362-09008	UNION	1	
22	09407-10404	CLAMP (L:100)	2	
23-1	58200-93LA0	PROPELLER (3X16X18.5)	1	
23-2	58200-93LB0	PROPELLER (3X16X20)	1	
23-3	58200-93LC0	PROPELLER (3X16X21.5)	1	
23-4	58200-93LD0	PROPELLER (3X16X23)	1	
23-5	58200-93LE0	PROPELLER (3X16X17)	1	
23-6	58200-93LF0	PROPELLER (3X16X24.5)	1	OPT
23-7	58200-93LG0	PROPELLER (3X16X26)	1	OPT
24	58105-93J10	BUSH SET, PROPELLER	1	
25-1	58200-96JA0	PROPELLER (3X15.5X17)	1	OPT
25-2	58200-96JB0	PROPELLER (3X15.25X19)	1	OPT
25-3	58200-96JC0	PROPELLER (3X14.75X21)	1	OPT
25-4	58200-96JD0	PROPELLER (3X14.75X23)	1	OPT

FIG.266

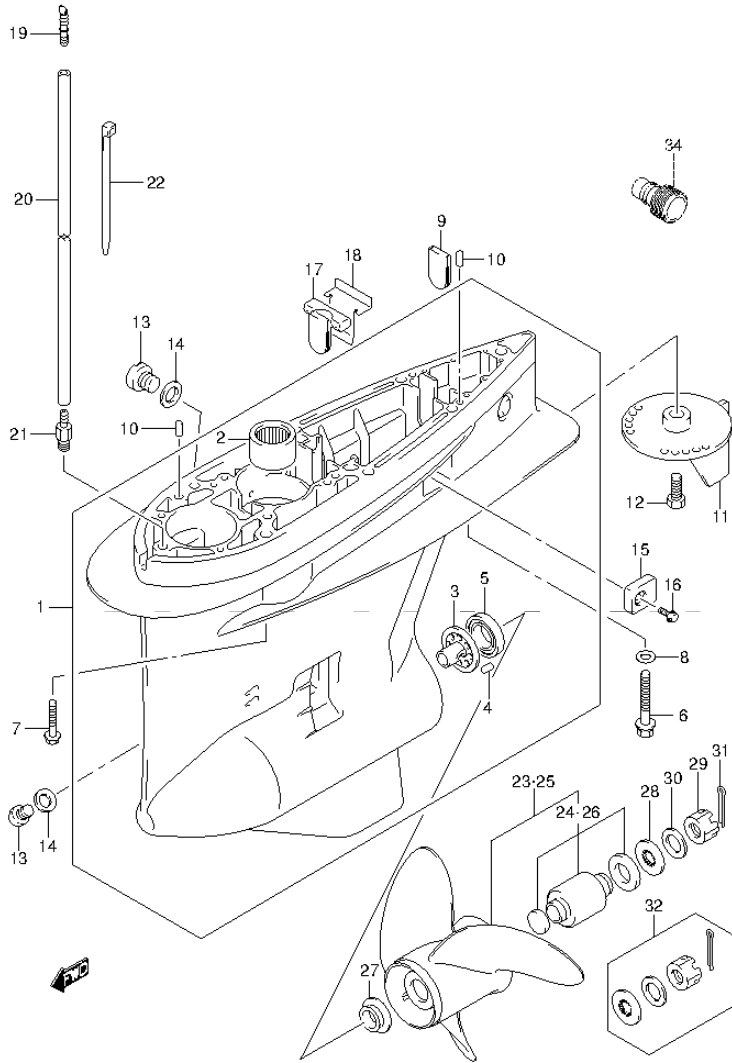


FIG.266 (3-G-14) GEAR CASE (DF200Z E40)

REF NO.	PART NO.	DESCRIPTION	Q'TY	REMARKS
25-5	58200-96JE0	PROPELLER (3X14.5X25)	1	OPT
25-6	58200-96JF0	PROPELLER (3X14.5X27)	1	OPT
26	58105-93J00	BUSH SET, PROPELLER	1	OPT
27	57632-93L00	STOPPER, PROPELLER BUSH	1	
28	57633-87D30	SPACER, PROPELLER NUT	1	
29	09141-18005	NUT	1	
30	09160-18028	WASHER (18.5X31X1)	1	
31	09204-03003	COTTER PIN	1	
32	57630-92E00	KIT, PROPELLER NUT	1	OPT
33	25700-93J00	KIT, GEAR CASE SEALING	1	OPT
				NOT ILLUSTRATED
34	17917-87L00	CONNECTOR, FLUSH WATER	1	

FIG.267

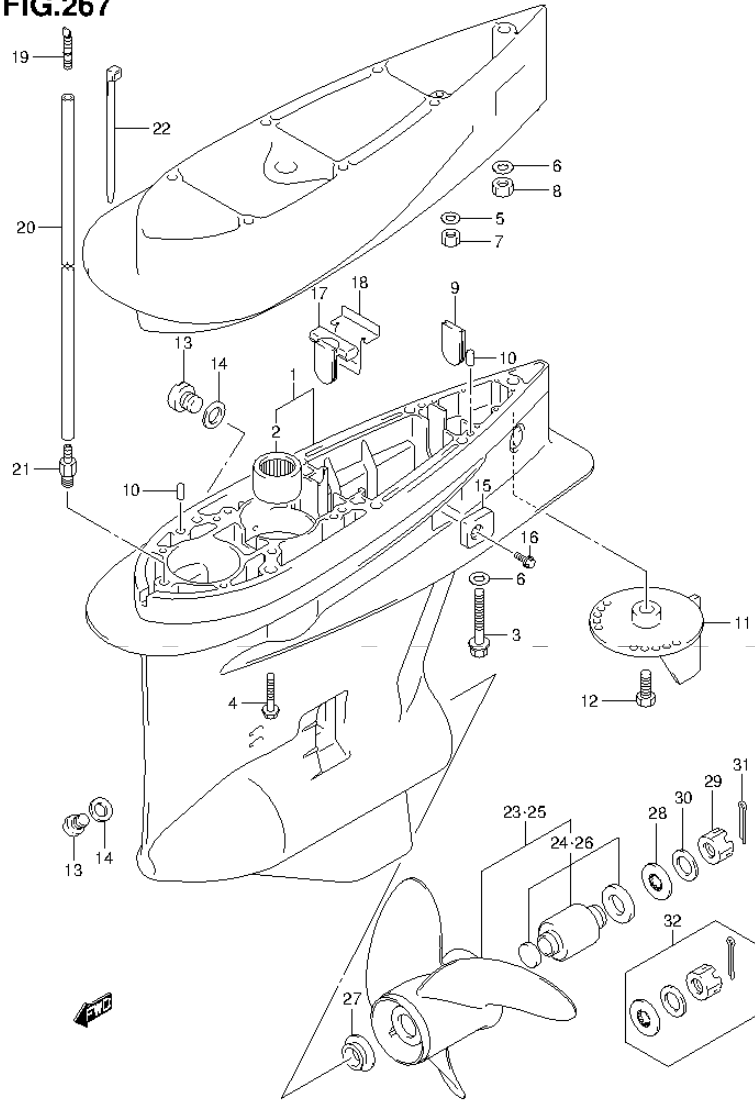


FIG.267 (3-G-15) GEAR CASE (DF225T E1)

REF NO.	PART NO.	DESCRIPTION	Q'TY	REMARKS
1	55110-93J20-0EP	CASE, GEAR (BLACK)	1	
2	09263-32017	BEARING (32X48X30)	1	
3	09100-12052	BOLT (12X70)	1	W/TRANSOM(X)
4	09116-10150	BOLT (10X55)	6	W/TRANSOM(X)
5	09160-10141	WASHER (10.5X19X2)	6	W/TRANSOM(XX)
6	09160-12066	WASHER (12.5X22X2.5)	1	
7	29141-93J20	NUT, EXTENSION BOLT NO.1	6	W/TRANSOM(XX)
8	09159-12014	NUT	1	W/TRANSOM(XX)
9	17566-87D11	GROMMET, GEAR CASE	1	
10	09202-08006	PIN (8X12)	2	
11	55125-98J00-0EP	TAB, TRIM (BLACK)	1	
12	09116-08137	BOLT (8X22)	1	
13	55128-93J10	PLUG, DRAIN	3	
14	09168-10034	GASKET (9.5X16.5X2)	3	
15	55321-93J00	ANODE, PROTECTION	2	
16	09116-06094	BOLT (6X15)	2	
17	55332-87D11	RUBBER, EXHAUST SEAL	1	
18	55333-87D10	PLATE, EXHAUST SEAL	1	
19	55127-87D00	UNION, SPEEDOMETER HOSE	1	
20	09355-40805-00B	HOSE (4X8X2000)	1	L:2000->1700
21	09362-09008	UNION	1	
22	09407-10404	CLAMP (L:100)	2	
23-1	58200-93L00	PROPELLER (3X16X17)	1	
23-2	58200-93L10	PROPELLER (3X16X18.5)	1	
23-3	58200-93L20	PROPELLER (3X16X20)	1	
23-4	58200-93L30	PROPELLER (3X16X21.5)	1	
23-5	58200-93L40	PROPELLER (3X16X23)	1	
23-6	58200-93L50	PROPELLER (3X16X24.5)	1	
23-7	58200-93L60	PROPELLER (3X16X26)	1	OPT
23-8	58200-93L70	PROPELLER (3X16X27.5)	1	OPT
24	58105-93J10	BUSH SET, PROPELLER	1	
25-1	58200-96J00	PROPELLER (3X15.5X17)	1	OPT
25-2	58200-96J10	PROPELLER (3X15.25X19)	1	OPT
25-3	58200-96J20	PROPELLER (3X14.75X21)	1	OPT

FIG.267

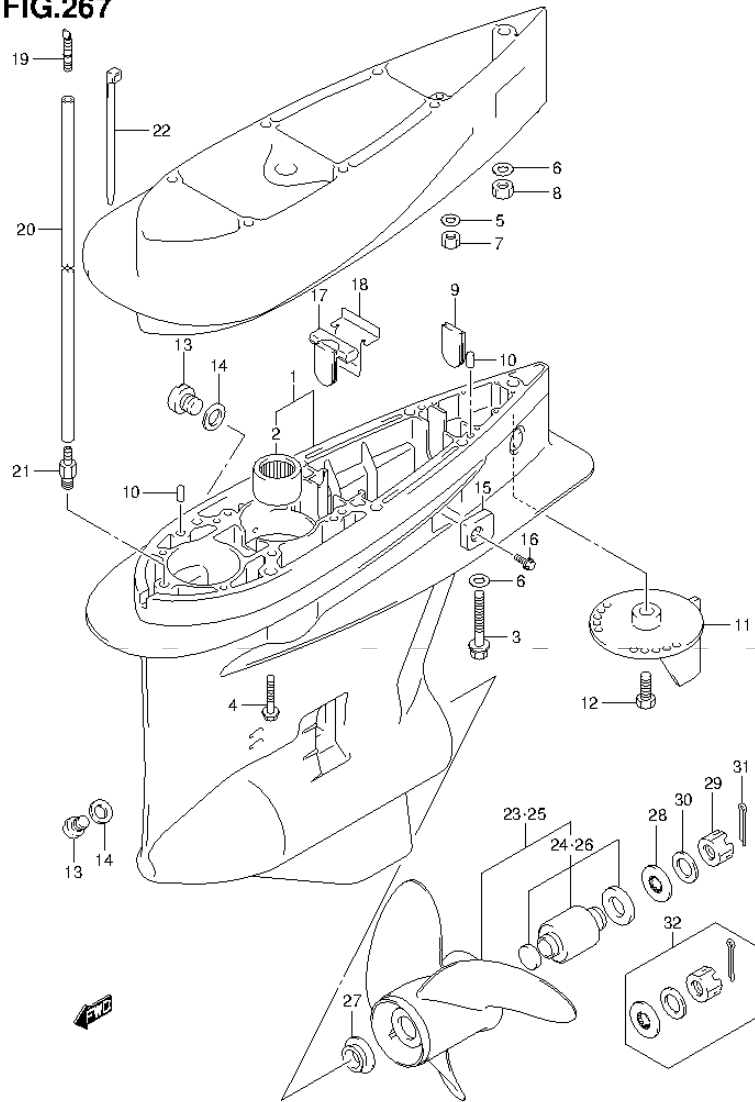


FIG.267 (3-H-2) GEAR CASE (DF225T E1)

REF NO.	PART NO.	DESCRIPTION	Q'TY	REMARKS
25-4	58200-96J30	PROPELLER (3X14.75X23)	1	OPT
25-5	58200-96J40	PROPELLER (3X14.5X25)	1	OPT
25-6	58200-96J50	PROPELLER (3X14.5X27)	1	OPT
26	58105-93J00	BUSH SET, PROPELLER	1	OPT
27	57632-93L00	STOPPER, PROPELLER BUSH	1	
28	57633-87D30	SPACER, PROPELLER NUT	1	
29	09141-18005	NUT	1	
30	09160-18028	WASHER (18.5X31X1)	1	
31	09204-03003	COTTER PIN	1	
32	57630-92E00	KIT, PROPELLER NUT	1	OPT
33	25700-93J00	KIT, GEAR CASE SEALING	1	OPT NOT ILLUSTRATED

FIG.268

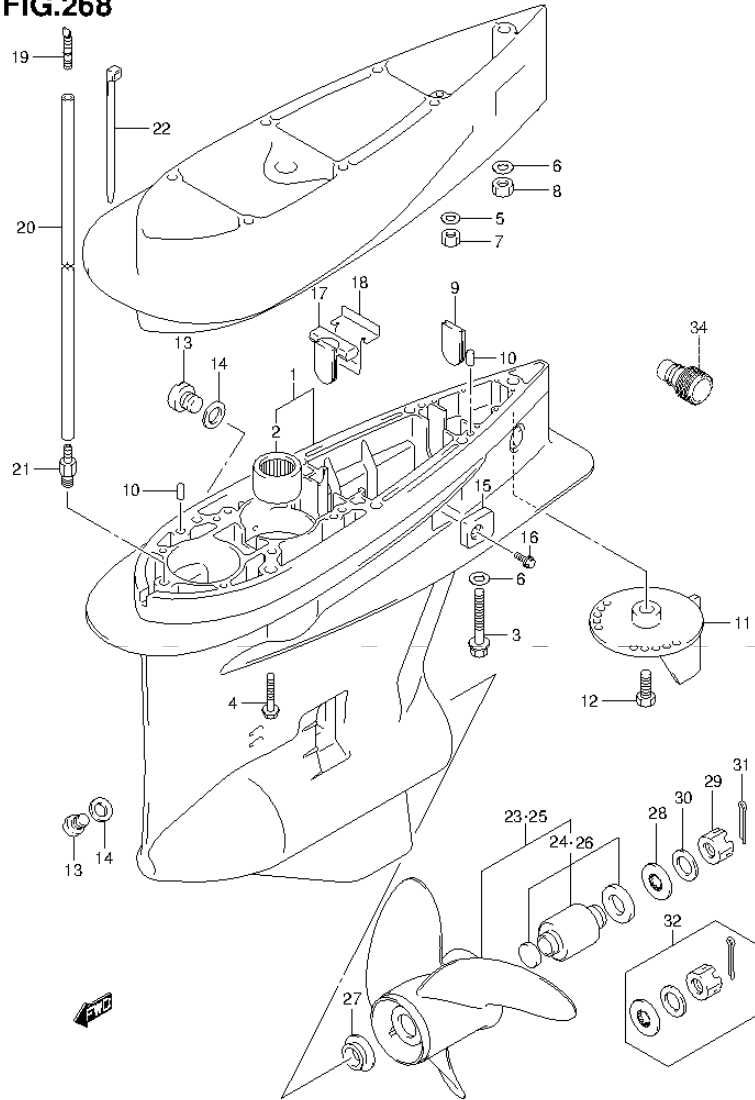


FIG.268 (3-H-3) GEAR CASE (DF225T E40)

REF NO.	PART NO.	DESCRIPTION	Q'TY	REMARKS
1	55110-93J20-0EP	CASE, GEAR (BLACK)	1	
2	09263-32017	BEARING (32X48X30)	1	
3	09100-12052	BOLT (12X70)	1	W/TRANSOM(X)
4	09116-10150	BOLT (10X55)	6	W/TRANSOM(X)
5	09160-10141	WASHER (10.5X19X2)	6	W/TRANSOM(XX)
6	09160-12066	WASHER (12.5X22X2.5)	1	
7	29141-93J20	NUT, EXTENSION BOLT NO.1	6	W/TRANSOM(XX)
8	09159-12014	NUT	1	W/TRANSOM(XX)
9	17566-87D11	GROMMET, GEAR CASE	1	
10	09202-08006	PIN (8X12)	2	
11	55125-98J00-0EP	TAB, TRIM (BLACK)	1	
12	09116-08137	BOLT (8X22)	1	
13	55128-93J10	PLUG, DRAIN	3	
14	09168-10034	GASKET (9.5X16.5X2)	3	
15	55321-93J00	ANODE, PROTECTION	2	
16	09116-06094	BOLT (6X15)	2	
17	55332-87D11	RUBBER, EXHAUST SEAL	1	
18	55333-87D10	PLATE, EXHAUST SEAL	1	
19	55127-87D00	UNION, SPEEDOMETER HOSE	1	
20	09355-40805-00B	HOSE (4X8X2000)	1	L:2000->1700
21	09362-09008	UNION	1	
22	09407-10404	CLAMP (L:100)	2	
23-1	58200-93L00	PROPELLER (3X16X17)	1	
23-2	58200-93L10	PROPELLER (3X16X18.5)	1	
23-3	58200-93L20	PROPELLER (3X16X20)	1	
23-4	58200-93L30	PROPELLER (3X16X21.5)	1	
23-5	58200-93L40	PROPELLER (3X16X23)	1	
23-6	58200-93L50	PROPELLER (3X16X24.5)	1	
23-7	58200-93L60	PROPELLER (3X16X26)	1	OPT
23-8	58200-93L70	PROPELLER (3X16X27.5)	1	OPT
24	58105-93J10	BUSH SET, PROPELLER	1	
25-1	58200-96J00	PROPELLER (3X15.5X17)	1	OPT
25-2	58200-96J10	PROPELLER (3X15.25X19)	1	OPT
25-3	58200-96J20	PROPELLER (3X14.75X21)	1	OPT

FIG.268

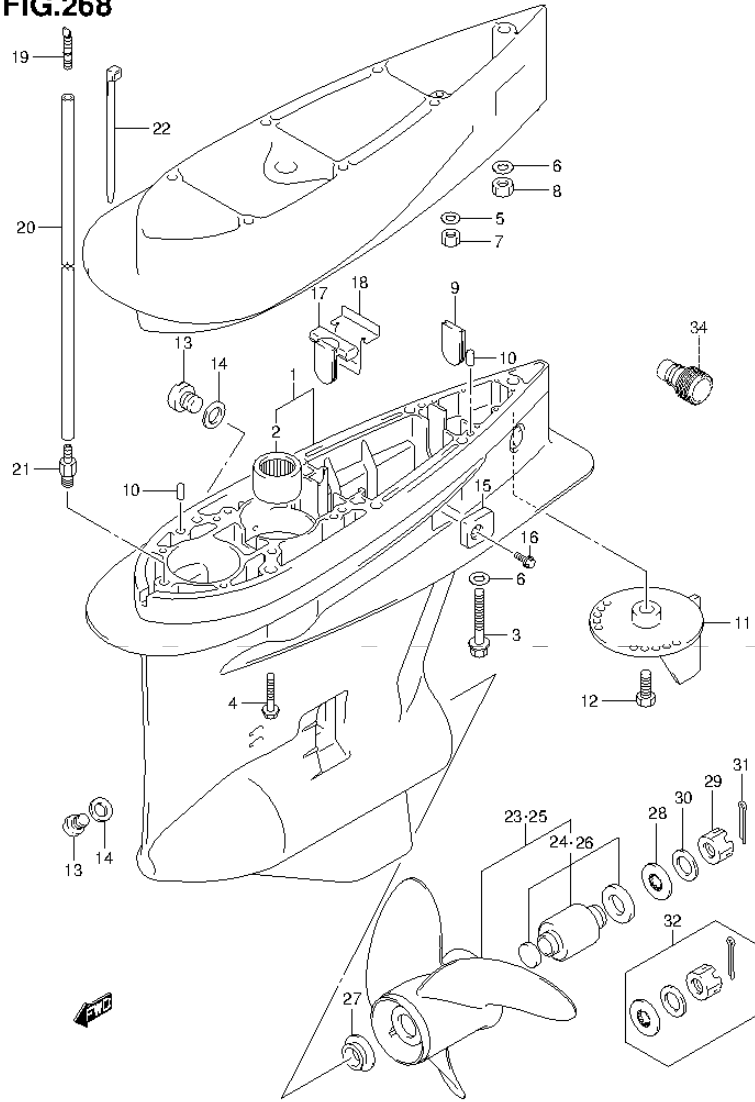


FIG.268 (3-H-4) GEAR CASE (DF225T E40)

REF NO.	PART NO.	DESCRIPTION	Q'TY	REMARKS
25-4	58200-96J30	PROPELLER (3X14.75X23)	1	OPT
25-5	58200-96J40	PROPELLER (3X14.5X25)	1	OPT
25-6	58200-96J50	PROPELLER (3X14.5X27)	1	OPT
26	58105-93J00	BUSH SET, PROPELLER	1	OPT
27	57632-93L00	STOPPER, PROPELLER BUSH	1	
28	57633-87D30	SPACER, PROPELLER NUT	1	
29	09141-18005	NUT	1	
30	09160-18028	WASHER (18.5X31X1)	1	
31	09204-03003	COTTER PIN	1	
32	57630-92E00	KIT, PROPELLER NUT	1	OPT
33	25700-93J00	KIT, GEAR CASE SEALING	1	OPT
				NOT ILLUSTRATED
34	17917-87L00	CONNECTOR, FLUSH WATER	1	

FIG.269

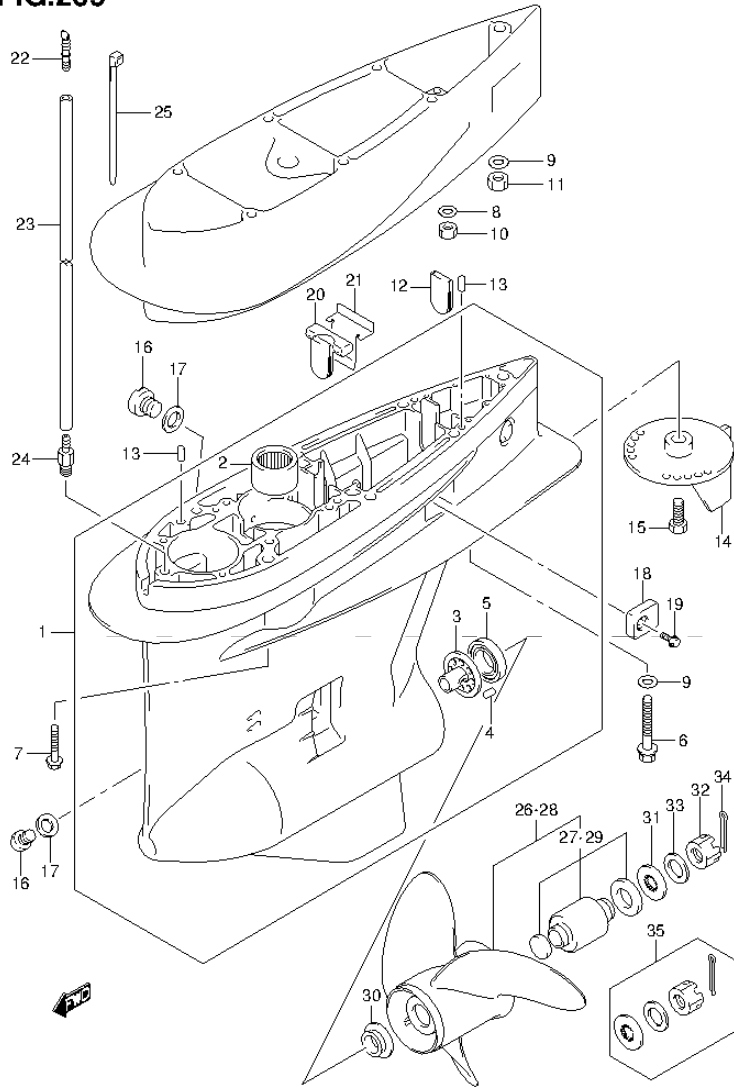


FIG.269 (3-H-5) GEAR CASE (DF225Z E1)

REF NO.	PART NO.	DESCRIPTION	Q'TY	REMARKS
1	55110-93J30-0EP	CASE, GEAR (BLACK)	1	
2	09263-32017	BEARING (32X48X30)	1	
3	56145-93J00	HOUSING, SHIFT CAM	1	
4	04221-08129	PIN	1	
5	09265-50002	BEARING (50X90X21.75)	1	
6	09100-12052	BOLT (12X70)	1	W/TRANSOM(X)
7	09116-10150	BOLT (10X55)	6	W/TRANSOM(X)
8	09160-10141	WASHER (10.5X19X2)	6	W/TRANSOM(XX)
9	09160-12066	WASHER (12.5X22X2.5)	1	
10	29141-93J20	NUT, EXTENSION BOLT NO.1	6	W/TRANSOM(XX)
11	09159-12014	NUT	1	W/TRANSOM(XX)
12	17566-87D11	GROMMET, GEAR CASE	1	
13	09202-08006	PIN (8X12)	2	
14	55125-98J00-0EP	TAB, TRIM (BLACK)	1	
15	09116-08137	BOLT (8X22)	1	
16	55128-93J10	PLUG, DRAIN	3	
17	09168-10034	GASKET (9.5X16.5X2)	3	
18	55321-93J00	ANODE, PROTECTION	2	
19	09116-06094	BOLT (6X15)	2	
20	55332-87D11	RUBBER, EXHAUST SEAL	1	
21	55333-87D10	PLATE, EXHAUST SEAL	1	
22	55127-87D00	UNION, SPEEDOMETER HOSE	1	
23	09355-40805-00B	HOSE (4X8X2000)	1	L:2000->1700
24	09362-09008	UNION	1	
25	09407-10404	CLAMP (L:100)	2	
26-1	58200-93LA0	PROPELLER (3X16X18.5)	1	
26-2	58200-93LB0	PROPELLER (3X16X20)	1	
26-3	58200-93LC0	PROPELLER (3X16X21.5)	1	
26-4	58200-93LD0	PROPELLER (3X16X23)	1	
26-5	58200-93LE0	PROPELLER (3X16X17)	1	
26-6	58200-93LF0	PROPELLER (3X16X24.5)	1	OPT
26-7	58200-93LG0	PROPELLER (3X16X26)	1	OPT
27	58105-93J10	BUSH SET, PROPELLER	1	
28-1	58200-96JA0	PROPELLER (3X15.5X17)	1	OPT

FIG.269

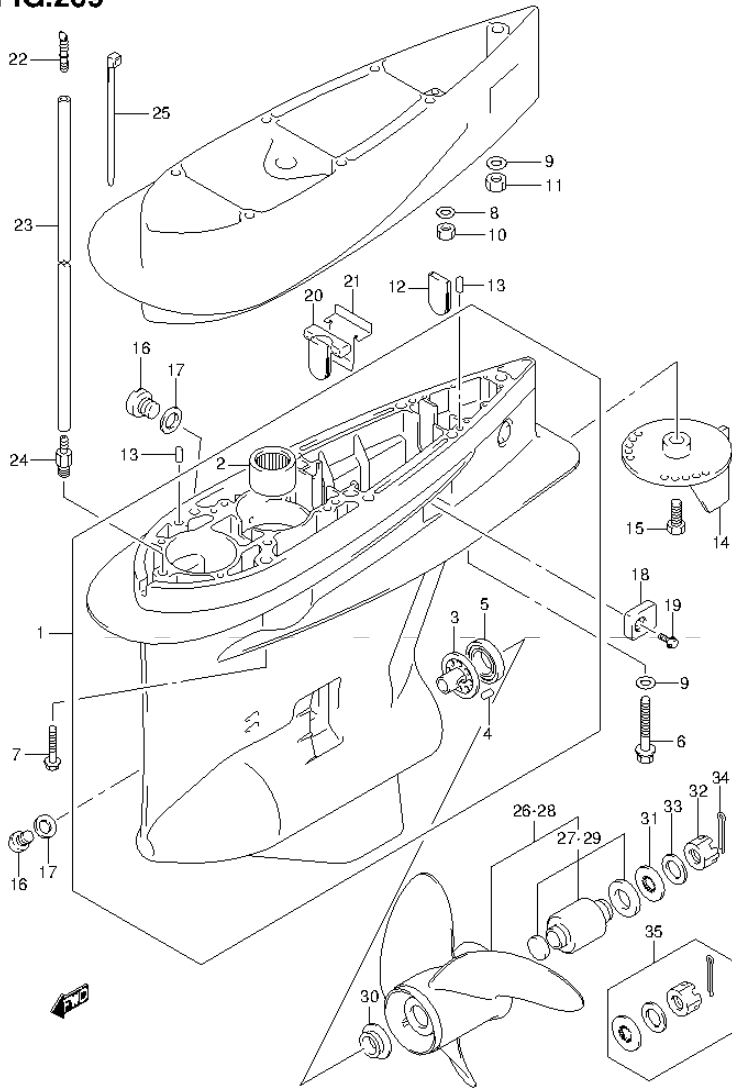


FIG.269 (3-H-6) GEAR CASE (DF225Z E1)

REF NO.	PART NO.	DESCRIPTION	Q'TY	REMARKS
28-2	58200-96JB0	PROPELLER (3X15.25X19)	1	OPT
28-3	58200-96JC0	PROPELLER (3X14.75X21)	1	OPT
28-4	58200-96JD0	PROPELLER (3X14.75X23)	1	OPT
28-5	58200-96JE0	PROPELLER (3X14.5X25)	1	OPT
28-6	58200-96JF0	PROPELLER (3X14.5X27)	1	OPT
29	58105-93J00	BUSH SET, PROPELLER	1	OPT
30	57632-93L00	STOPPER, PROPELLER BUSH	1	
31	57633-87D30	SPACER, PROPELLER NUT	1	
32	09141-18005	NUT	1	
33	09160-18028	WASHER (18.5X31X1)	1	
34	09204-03003	COTTER PIN	1	
35	57630-92E00	KIT, PROPELLER NUT	1	OPT
36	25700-93J00	KIT, GEAR CASE SEALING	1	OPT NOT ILLUSTRATED

FIG.270

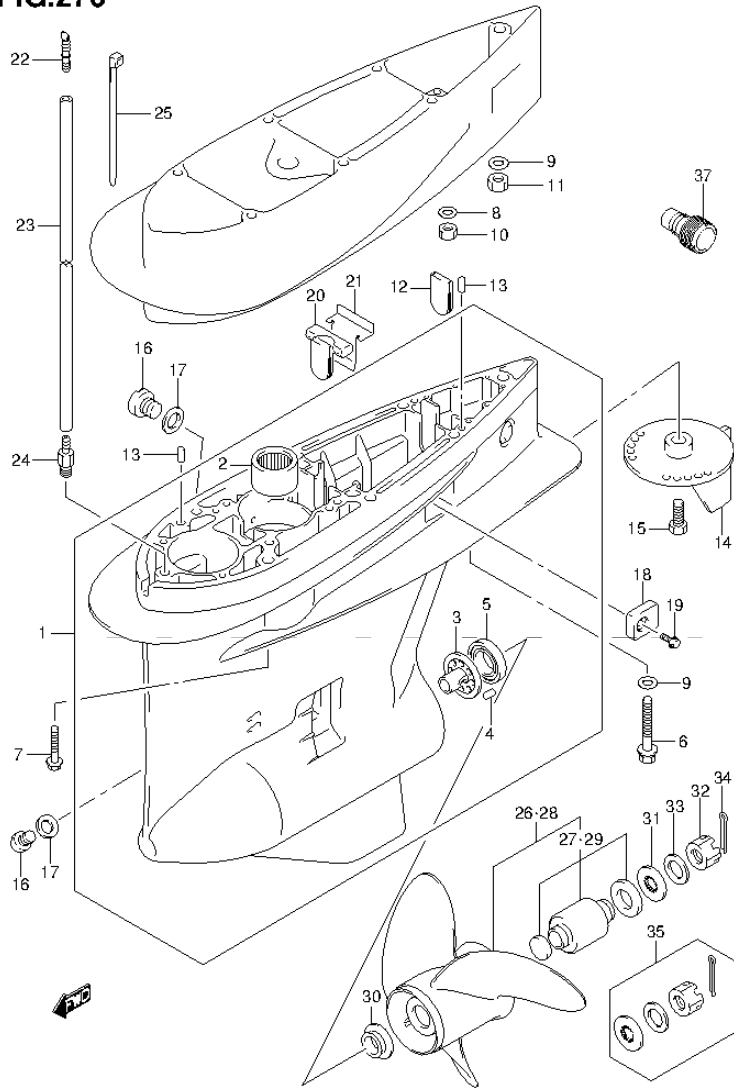


FIG.270 (3-H-8) GEAR CASE (DF225Z E40)

REF NO.	PART NO.	DESCRIPTION	Q'TY	REMARKS
28-2	58200-96JB0	PROPELLER (3X15.25X19)	1	OPT
28-3	58200-96JC0	PROPELLER (3X14.75X21)	1	OPT
28-4	58200-96JD0	PROPELLER (3X14.75X23)	1	OPT
28-5	58200-96JE0	PROPELLER (3X14.5X25)	1	OPT
28-6	58200-96JF0	PROPELLER (3X14.5X27)	1	OPT
29	58105-93J00	BUSH SET, PROPELLER	1	OPT
30	57632-93L00	STOPPER, PROPELLER BUSH	1	
31	57633-87D30	SPACER, PROPELLER NUT	1	
32	09141-18005	NUT	1	
33	09160-18028	WASHER (18.5X31X1)	1	
34	09204-03003	COTTER PIN	1	
35	57630-92E00	KIT, PROPELLER NUT	1	OPT
36	25700-93J00	KIT, GEAR CASE SEALING	1	OPT
				NOT ILLUSTRATED
37	17917-87L00	CONNECTOR, FLUSH WATER	1	

FIG.271

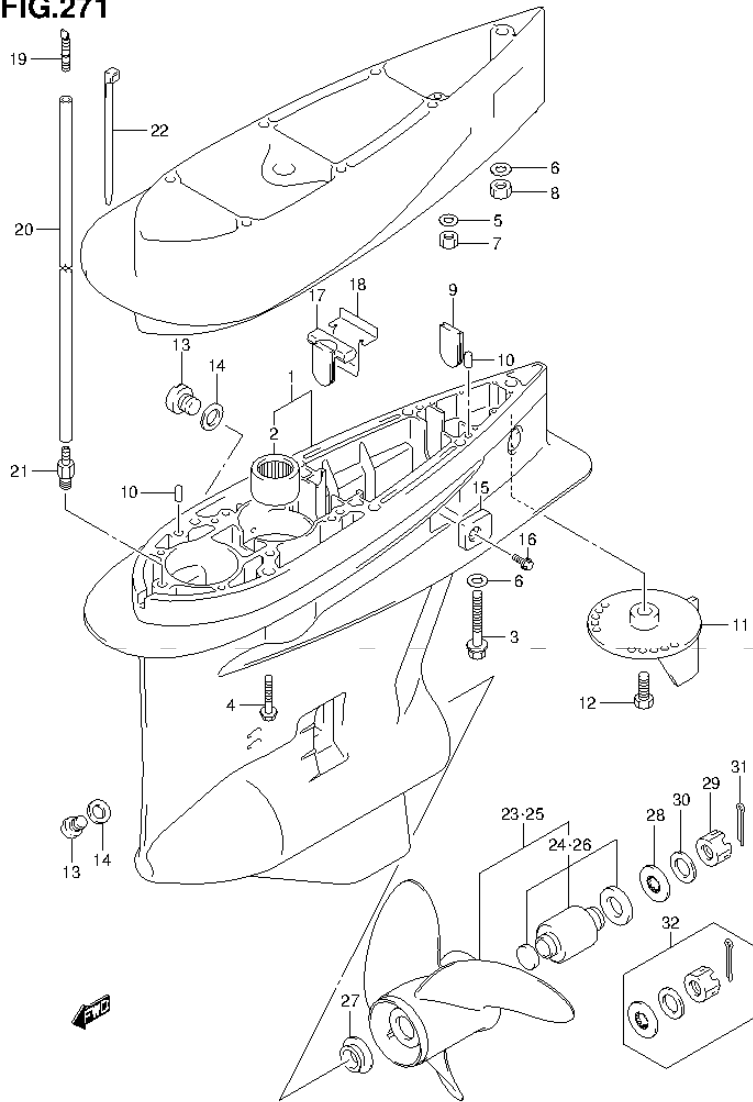


FIG.271 (3-H-9) GEAR CASE (DF250T E1)

REF NO.	PART NO.	DESCRIPTION	Q'TY	REMARKS
1	55110-93J20-0EP	CASE, GEAR (BLACK)	1	
2	09263-32017	BEARING (32X48X30)	1	
3	09100-12052	BOLT (12X70)	1	W/TRANSOM(X)
4	09116-10150	BOLT (10X55)	6	W/TRANSOM(X)
5	09160-10141	WASHER (10.5X19X2)	6	W/TRANSOM(XX)
6	09160-12066	WASHER (12.5X22X2.5)	1	
7	29141-93J20	NUT, EXTENSION BOLT NO.1	6	W/TRANSOM(XX)
8	09159-12014	NUT	1	W/TRANSOM(XX)
9	17566-87D11	GROMMET, GEAR CASE	1	
10	09202-08006	PIN (8X12)	2	
11	55125-98J00-0EP	TAB, TRIM (BLACK)	1	
12	09116-08137	BOLT (8X22)	1	
13	55128-93J10	PLUG, DRAIN	3	
14	09168-10034	GASKET (9.5X16.5X2)	3	
15	55321-93J00	ANODE, PROTECTION	2	
16	09116-06094	BOLT (6X15)	2	
17	55332-87D11	RUBBER, EXHAUST SEAL	1	
18	55333-87D10	PLATE, EXHAUST SEAL	1	
19	55127-87D00	UNION, SPEEDOMETER HOSE	1	
20	09355-40805-00B	HOSE (4X8X2000)	1	L:2000->1700
21	09362-09008	UNION	1	
22	09407-10404	CLAMP (L:100)	2	
23-1	58200-93L00	PROPELLER (3X16X17)	1	
23-2	58200-93L10	PROPELLER (3X16X18.5)	1	
23-3	58200-93L20	PROPELLER (3X16X20)	1	
23-4	58200-93L30	PROPELLER (3X16X21.5)	1	
23-5	58200-93L40	PROPELLER (3X16X23)	1	
23-6	58200-93L50	PROPELLER (3X16X24.5)	1	
23-7	58200-93L60	PROPELLER (3X16X26)	1	OPT
23-8	58200-93L70	PROPELLER (3X16X27.5)	1	OPT
24	58105-93J10	BUSH SET, PROPELLER	1	
25-1	58200-96J00	PROPELLER (3X15.5X17)	1	OPT
25-2	58200-96J10	PROPELLER (3X15.25X19)	1	OPT
25-3	58200-96J20	PROPELLER (3X14.75X21)	1	OPT

FIG.271

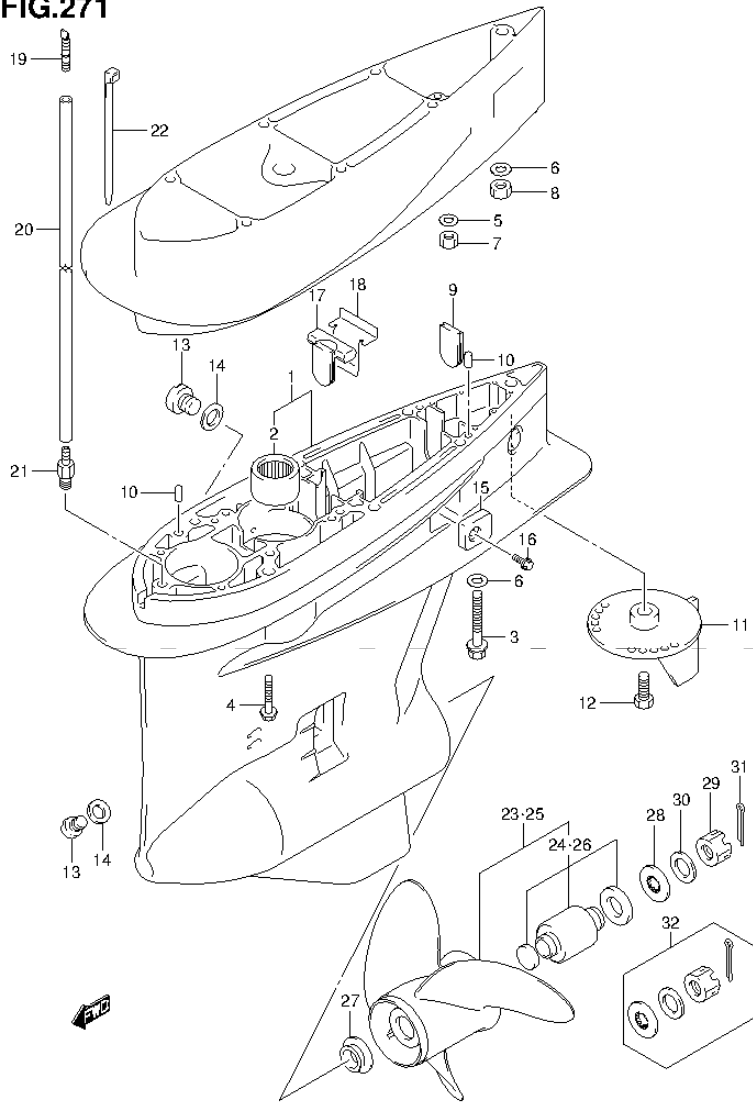


FIG.271 (3-H-10) GEAR CASE (DF250T E1)

REF NO.	PART NO.	DESCRIPTION	Q'TY	REMARKS
25-4	58200-96J30	PROPELLER (3X14.75X23)	1	OPT
25-5	58200-96J40	PROPELLER (3X14.5X25)	1	OPT
25-6	58200-96J50	PROPELLER (3X14.5X27)	1	OPT
26	58105-93J00	BUSH SET, PROPELLER	1	OPT
27	57632-93L00	STOPPER, PROPELLER BUSH	1	
28	57633-87D30	SPACER, PROPELLER NUT	1	
29	09141-18005	NUT	1	
30	09160-18028	WASHER (18.5X31X1)	1	
31	09204-03003	COTTER PIN	1	
32	57630-92E00	KIT, PROPELLER NUT	1	OPT
33	25700-93J00	KIT, GEAR CASE SEALING	1	OPT NOT ILLUSTRATED

FIG.272

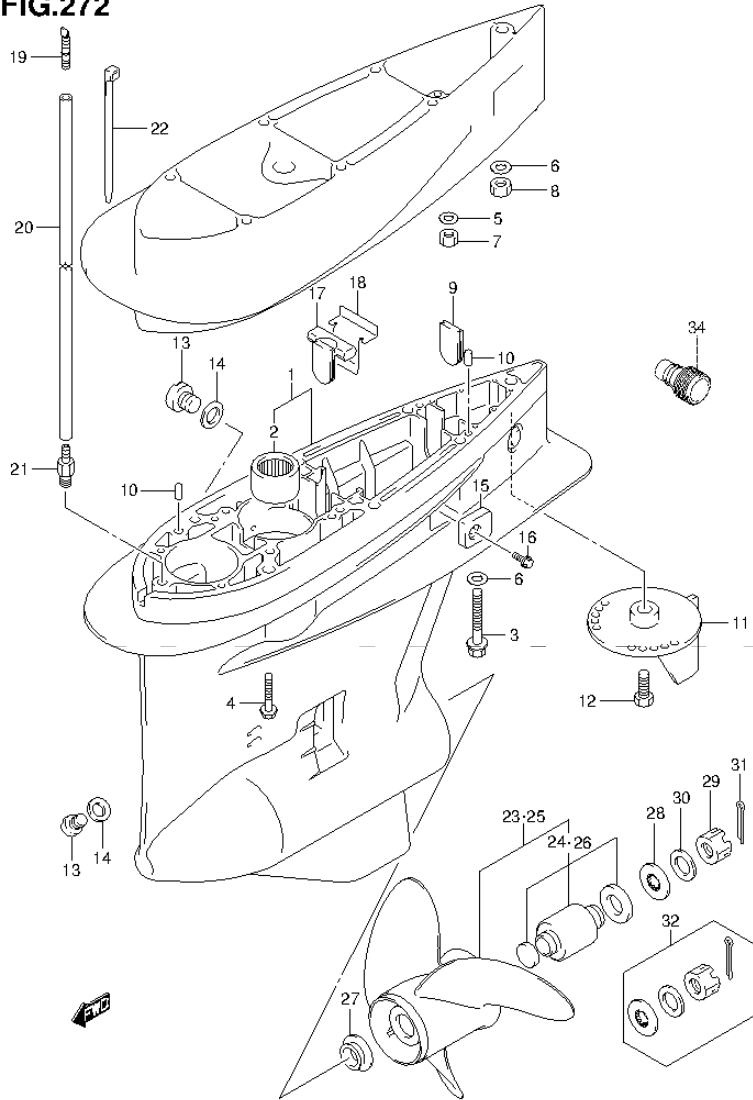


FIG.272 (3-H-11) GEAR CASE (DF250T E40)

REF NO.	PART NO.	DESCRIPTION	Q'TY	REMARKS
1	55110-93J20-0EP	CASE, GEAR (BLACK)	1	
2	09263-32017	BEARING (32X48X30)	1	
3	09100-12052	BOLT (12X70)	1	W/TRANSOM(X)
4	09116-10150	BOLT (10X55)	6	W/TRANSOM(X)
5	09160-10141	WASHER (10.5X19X2)	6	W/TRANSOM(XX)
6	09160-12066	WASHER (12.5X22X2.5)	1	
7	29141-93J20	NUT, EXTENSION BOLT NO.1	6	W/TRANSOM(XX)
8	09159-12014	NUT	1	W/TRANSOM(XX)
9	17566-87D11	GROMMET, GEAR CASE	1	
10	09202-08006	PIN (8X12)	2	
11	55125-98J00-0EP	TAB, TRIM (BLACK)	1	
12	09116-08137	BOLT (8X22)	1	
13	55128-93J10	PLUG, DRAIN	3	
14	09168-10034	GASKET (9.5X16.5X2)	3	
15	55321-93J00	ANODE, PROTECTION	2	
16	09116-06094	BOLT (6X15)	2	
17	55332-87D11	RUBBER, EXHAUST SEAL	1	
18	55333-87D10	PLATE, EXHAUST SEAL	1	
19	55127-87D00	UNION, SPEEDOMETER HOSE	1	
20	09355-40805-00B	HOSE (4X8X2000)	1	L:2000->1700
21	09362-09008	UNION	1	
22	09407-10404	CLAMP (L:100)	2	
23-1	58200-93L00	PROPELLER (3X16X17)	1	
23-2	58200-93L10	PROPELLER (3X16X18.5)	1	
23-3	58200-93L20	PROPELLER (3X16X20)	1	
23-4	58200-93L30	PROPELLER (3X16X21.5)	1	
23-5	58200-93L40	PROPELLER (3X16X23)	1	
23-6	58200-93L50	PROPELLER (3X16X24.5)	1	
23-7	58200-93L60	PROPELLER (3X16X26)	1	OPT
23-8	58200-93L70	PROPELLER (3X16X27.5)	1	OPT
24	58105-93J10	BUSH SET, PROPELLER	1	
25-1	58200-96J00	PROPELLER (3X15.5X17)	1	OPT
25-2	58200-96J10	PROPELLER (3X15.25X19)	1	OPT
25-3	58200-96J20	PROPELLER (3X14.75X21)	1	OPT

FIG.272

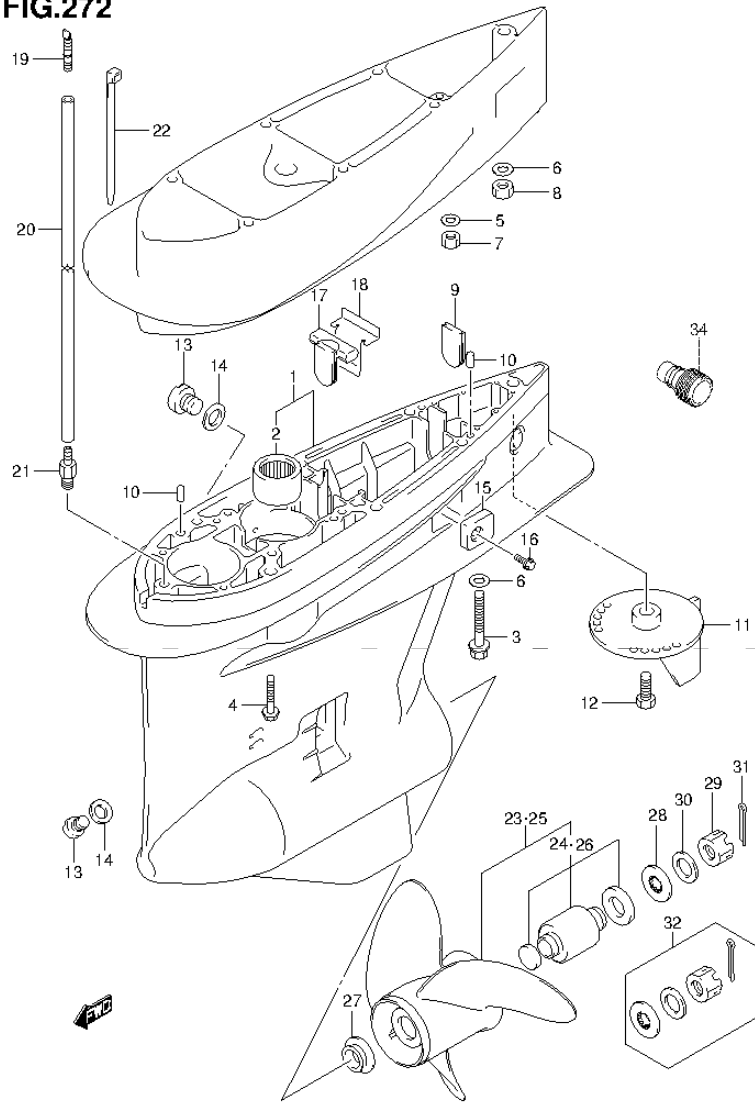


FIG.272 (3-H-12) GEAR CASE (DF250T E40)

REF NO.	PART NO.	DESCRIPTION	Q'TY	REMARKS
25-4	58200-96J30	PROPELLER (3X14.75X23)	1	OPT
25-5	58200-96J40	PROPELLER (3X14.5X25)	1	OPT
25-6	58200-96J50	PROPELLER (3X14.5X27)	1	OPT
26	58105-93J00	BUSH SET, PROPELLER	1	OPT
27	57632-93L00	STOPPER, PROPELLER BUSH	1	
28	57633-87D30	SPACER, PROPELLER NUT	1	
29	09141-18005	NUT	1	
30	09160-18028	WASHER (18.5X31X1)	1	
31	09204-03003	COTTER PIN	1	
32	57630-92E00	KIT, PROPELLER NUT	1	OPT
33	25700-93J00	KIT, GEAR CASE SEALING	1	OPT
				NOT ILLUSTRATED
34	17917-87L00	CONNECTOR, FLUSH WATER	1	

FIG.273

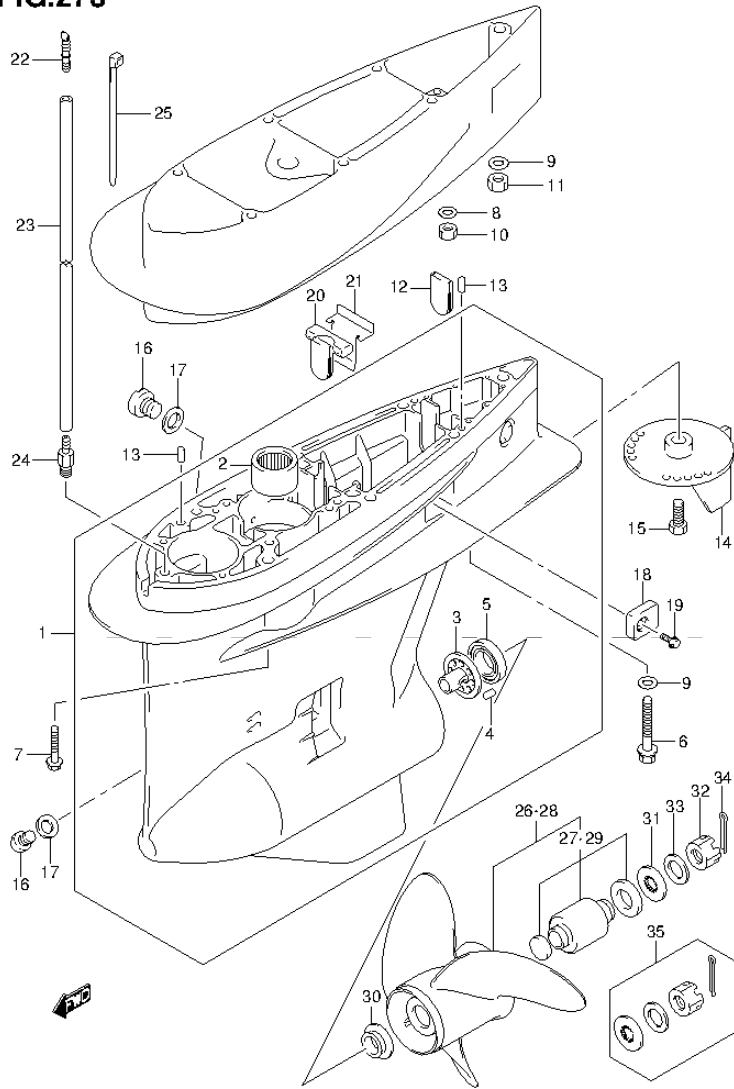


FIG.273 (3-H-13) GEAR CASE (DF250Z E1)

REF NO.	PART NO.	DESCRIPTION	Q'TY	REMARKS
1	55110-93J30-0EP	CASE, GEAR (BLACK)	1	
2	09263-32017	BEARING (32X48X30)	1	
3	56145-93J00	HOUSING, SHIFT CAM	1	
4	04221-08129	PIN	1	
5	09265-50002	BEARING (50X90X21.75)	1	
6	09100-12052	BOLT (12X70)	1	W/TRANSOM(X)
7	09116-10150	BOLT (10X55)	6	W/TRANSOM(X)
8	09160-10141	WASHER (10.5X19X2)	6	W/TRANSOM(XX)
9	09160-12066	WASHER (12.5X22X2.5)	1	
10	29141-93J20	NUT, EXTENSION BOLT NO.1	6	W/TRANSOM(XX)
11	09159-12014	NUT	1	W/TRANSOM(XX)
12	17566-87D11	GROMMET, GEAR CASE	1	
13	09202-08006	PIN (8X12)	2	
14	55125-98J00-0EP	TAB, TRIM (BLACK)	1	
15	09116-08137	BOLT (8X22)	1	
16	55128-93J10	PLUG, DRAIN	3	
17	09168-10034	GASKET (9.5X16.5X2)	3	
18	55321-93J00	ANODE, PROTECTION	2	
19	09116-06094	BOLT (6X15)	2	
20	55332-87D11	RUBBER, EXHAUST SEAL	1	
21	55333-87D10	PLATE, EXHAUST SEAL	1	
22	55127-87D00	UNION, SPEEDOMETER HOSE	1	
23	09355-40805-00B	HOSE (4X8X2000)	1	L:2000->1700
24	09362-09008	UNION	1	
25	09407-10404	CLAMP (L:100)	2	
26-1	58200-93LA0	PROPELLER (3X16X18.5)	1	
26-2	58200-93LB0	PROPELLER (3X16X20)	1	
26-3	58200-93LC0	PROPELLER (3X16X21.5)	1	
26-4	58200-93LD0	PROPELLER (3X16X23)	1	
26-5	58200-93LE0	PROPELLER (3X16X17)	1	
26-6	58200-93LF0	PROPELLER (3X16X24.5)	1	OPT
26-7	58200-93LG0	PROPELLER (3X16X26)	1	OPT
27	58105-93J10	BUSH SET, PROPELLER	1	
28-1	58200-96JA0	PROPELLER (3X15.5X17)	1	OPT

FIG.273

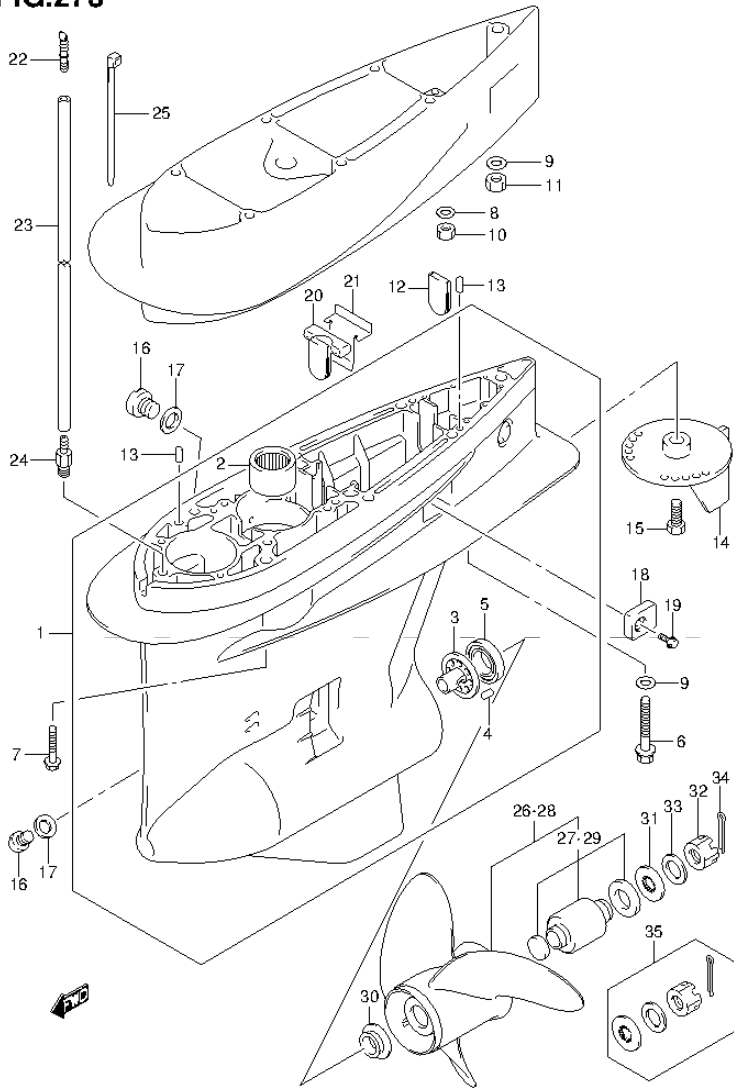


FIG.273 (3-H-14) GEAR CASE (DF250Z E1)

REF NO.	PART NO.	DESCRIPTION	Q'TY	REMARKS
28-2	58200-96JB0	PROPELLER (3X15.25X19)	1	OPT
28-3	58200-96JC0	PROPELLER (3X14.75X21)	1	OPT
28-4	58200-96JD0	PROPELLER (3X14.75X23)	1	OPT
28-5	58200-96JE0	PROPELLER (3X14.5X25)	1	OPT
28-6	58200-96JF0	PROPELLER (3X14.5X27)	1	OPT
29	58105-93J00	BUSH SET, PROPELLER	1	OPT
30	57632-93L00	STOPPER, PROPELLER BUSH	1	
31	57633-87D30	SPACER, PROPELLER NUT	1	
32	09141-18005	NUT	1	
33	09160-18028	WASHER (18.5X31X1)	1	
34	09204-03003	COTTER PIN	1	
35	57630-92E00	KIT, PROPELLER NUT	1	OPT
36	25700-93J00	KIT, GEAR CASE SEALING	1	OPT NOT ILLUSTRATED

FIG.274

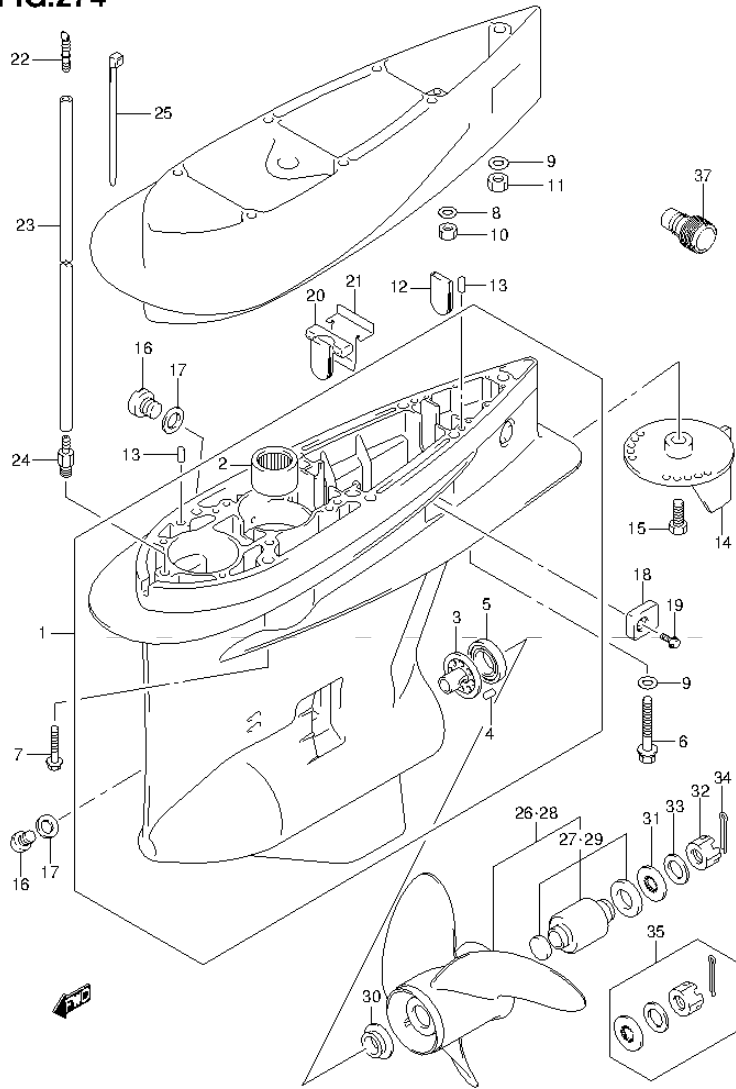


FIG.274 (3-H-15) GEAR CASE (DF250Z E40)

REF NO.	PART NO.	DESCRIPTION	Q'TY	REMARKS
1	55110-93J30-0EP	CASE, GEAR (BLACK)	1	
2	09263-32017	BEARING (32X48X30)	1	
3	56145-93J00	HOUSING, SHIFT CAM	1	
4	04221-08129	PIN	1	
5	09265-50002	BEARING (50X90X21.75)	1	
6	09100-12052	BOLT (12X70)	1	W/TRANSOM(X)
7	09116-10150	BOLT (10X55)	6	W/TRANSOM(X)
8	09160-10141	WASHER (10.5X19X2)	6	W/TRANSOM(XX)
9	09160-12066	WASHER (12.5X22X2.5)	1	
10	29141-93J20	NUT, EXTENSION BOLT NO.1	6	W/TRANSOM(XX)
11	09159-12014	NUT	1	W/TRANSOM(XX)
12	17566-87D11	GROMMET, GEAR CASE	1	
13	09202-08006	PIN (8X12)	2	
14	55125-98J00-0EP	TAB, TRIM (BLACK)	1	
15	09116-08137	BOLT (8X22)	1	
16	55128-93J10	PLUG, DRAIN	3	
17	09168-10034	GASKET (9.5X16.5X2)	3	
18	55321-93J00	ANODE, PROTECTION	2	
19	09116-06094	BOLT (6X15)	2	
20	55332-87D11	RUBBER, EXHAUST SEAL	1	
21	55333-87D10	PLATE, EXHAUST SEAL	1	
22	55127-87D00	UNION, SPEEDOMETER HOSE	1	
23	09355-40805-00B	HOSE (4X8X2000)	1	L:2000->1700
24	09362-09008	UNION	1	
25	09407-10404	CLAMP (L:100)	2	
26-1	58200-93LA0	PROPELLER (3X16X18.5)	1	
26-2	58200-93LB0	PROPELLER (3X16X20)	1	
26-3	58200-93LC0	PROPELLER (3X16X21.5)	1	
26-4	58200-93LD0	PROPELLER (3X16X23)	1	
26-5	58200-93LE0	PROPELLER (3X16X17)	1	
26-6	58200-93LF0	PROPELLER (3X16X24.5)	1	OPT
26-7	58200-93LG0	PROPELLER (3X16X26)	1	OPT
27	58105-93J10	BUSH SET, PROPELLER	1	
28-1	58200-96JA0	PROPELLER (3X15.5X17)	1	OPT

FIG.274

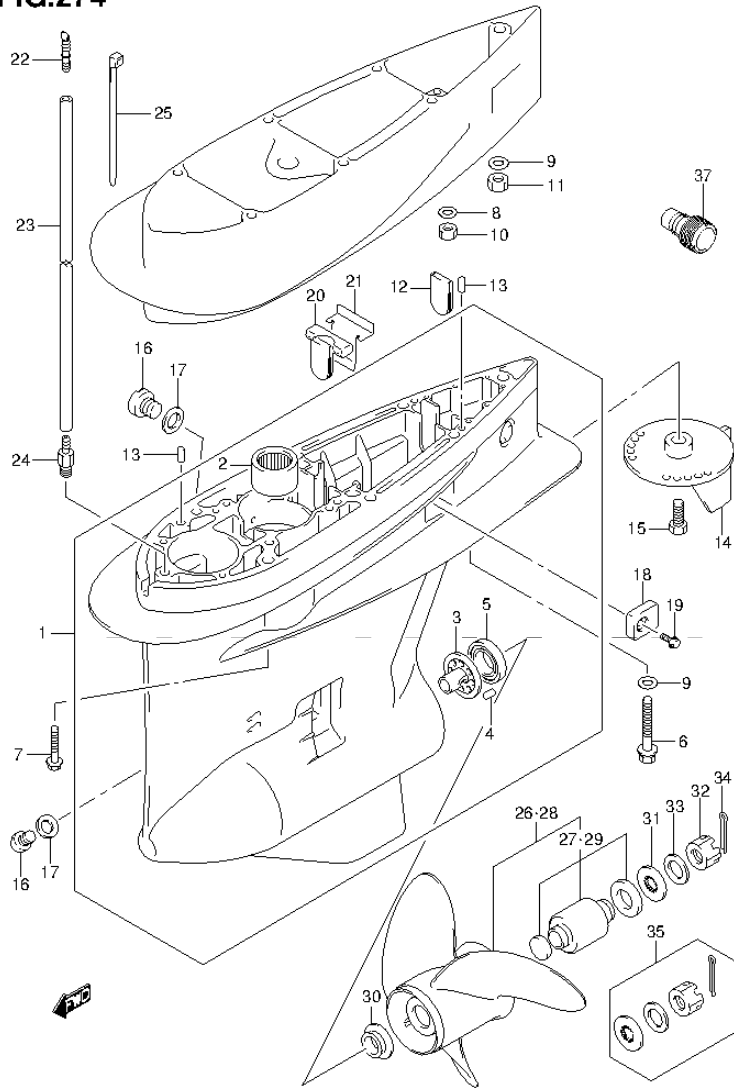


FIG.274 (3-I-2) GEAR CASE (DF250Z E40)

REF NO.	PART NO.	DESCRIPTION	Q'TY	REMARKS
28-2	58200-96JB0	PROPELLER (3X15.25X19)	1	OPT
28-3	58200-96JC0	PROPELLER (3X14.75X21)	1	OPT
28-4	58200-96JD0	PROPELLER (3X14.75X23)	1	OPT
28-5	58200-96JE0	PROPELLER (3X14.5X25)	1	OPT
28-6	58200-96JF0	PROPELLER (3X14.5X27)	1	OPT
29	58105-93J00	BUSH SET, PROPELLER	1	OPT
30	57632-93L00	STOPPER, PROPELLER BUSH	1	
31	57633-87D30	SPACER, PROPELLER NUT	1	
32	09141-18005	NUT	1	
33	09160-18028	WASHER (18.5X31X1)	1	
34	09204-03003	COTTER PIN	1	
35	57630-92E00	KIT, PROPELLER NUT	1	OPT
36	25700-93J00	KIT, GEAR CASE SEALING	1	OPT NOT ILLUSTRATED
37	17917-87L00	CONNECTOR, FLUSH WATER	1	

FIG.275

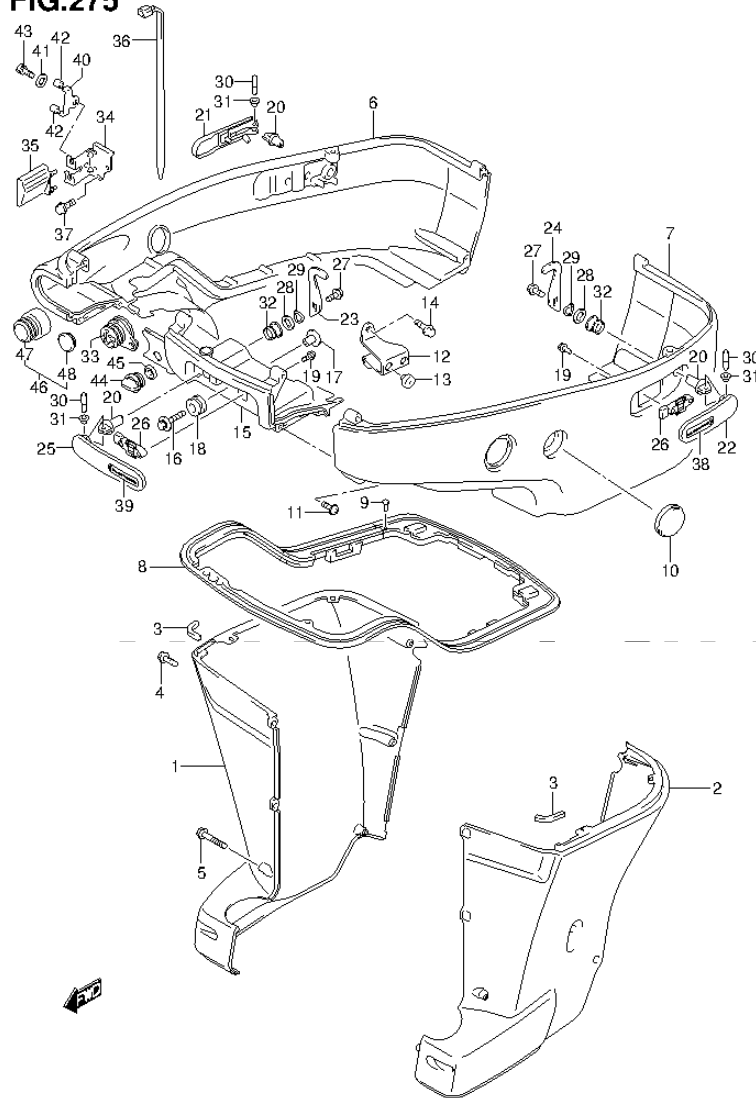


FIG.275 (3-I-3) SIDE COVER TRANSOM(X,XX) (DF200T E1)

REF NO.	PART NO.	DESCRIPTION	Q'TY	REMARKS
1	61131-93J01-0EP	COVER, OIL PAN STBD (BLACK)	1	
2	61141-93J01-0EP	COVER, OIL PAN PORT (BLACK)	1	
3	61137-93J00	CUSHION, OIL PAN COV UPPER	2	
4	09139-06135	SCREW (6X17)	5	
5	09139-06136	SCREW (6X65)	3	
6	61811-93J40-0EP	COVER, SIDE STBD (BLACK)	1	
7	61821-93J10-0EP	COVER, SIDE PORT (BLACK)	1	
8	61134-93J20	SEAL, SIDE COVER	1	
9	09409-05302-5PK	CLIP (BLACK)	2	
10	61817-93J00	PLUG, SIDE COVER	2	
11	09136-06148	SCREW (6X35)	8	
12	61827-93J02	HOLDER, SIDE COVER	1	
13	09321-10030	CUSHION	2	
14	01550-08207	BOLT	2	
15	61831-93J13-0EP	PANEL, FRONT (BLACK)	1	
16	09118-08127	BOLT (8X40)	2	
17	09169-08039	WASHER	2	
18	09320-11013	CUSHION	2	
19	01550-05107	BOLT	6	
20	61632-93J00	SHAFT, ENGINE COVER HOOK	3	
21	61633-93J00-0EP	LEVER, HOOK RR STBD (BLACK)	1	
22	61634-93J00-0EP	LEVER, HOOK RR PORT (BLACK)	1	
23	61641-93J10	HOOK, ENGINE COVER (REAR STBD/Front)	2	
24	61641-93J20	HOOK, ENGINE COVER (REAR PORT)	1	
25	61645-93J01-0EP	LEVER, HOOK FR (BLACK)	1	
26	61673-93J01	LATCH, HOOK LEVER	3	
27	09116-06127	BOLT (6X12)	3	
28	09160-13014	WASHER (13.2X25X1)	3	
29	09164-14008	WASHER	3	
30	09202-04022	PIN	3	
31	09306-04005	BUSH	6	
32	09306-13007	BUSH	3	
33	61124-93J40	GROMMET, REMOCON CABLE	1	

FIG.275

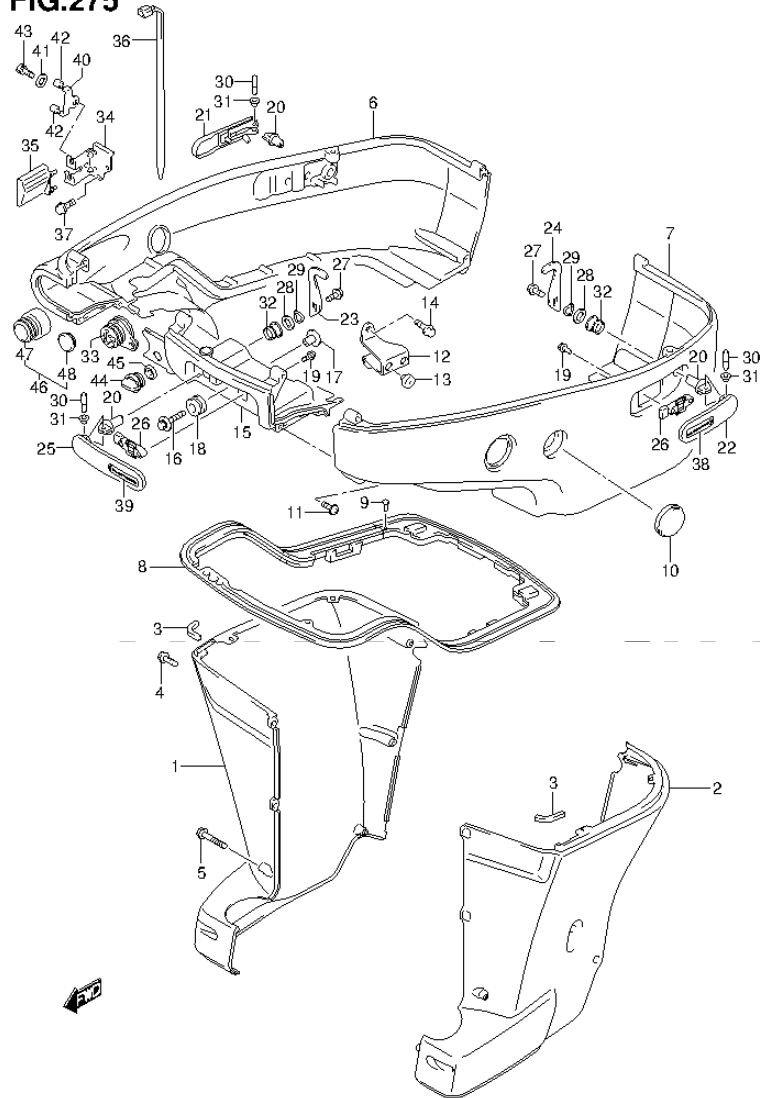


FIG.275 (3-I-4) SIDE COVER TRANSOM(X,XX) (DF200T E1)

REF NO.	PART NO.	DESCRIPTION	Q'TY	REMARKS
34	67341-93J20	HOLDER, REMOCON CABLE	1	
35	67345-93J00	PROTECTOR, R/CON CABLE HOLDER	1	
36	09407-25402	CLAMP (L:248)	1	
37	01550-06167	BOLT	2	
38	61639-93J00	LABEL, HOOK LEVER (REAR PORT)	1	
39	61649-93J00	LABEL, HOOK LEVER (REAR STBD / FRONT)	2	
40	67343-93J20	STOPPER, REMOCON CABLE	1	
41	09160-06047	WASHER (6.5X20X2)	1	
42	09352-70103-600	HOSE (7X10.2X600)	2	L:600->14
43	01570-06107	BOLT	1	
44	17913-93J00	PLUG, WATER	1	
45	17914-93J00	GASKET, WATER PLUG	1	
46	67300-93J00	KIT, HOSE ADAPTER	1	OPT
47	67361-93J00	ADAPTER, HOSE	1	OPT
48	09250-21003	PLUG (OD:28)	1	OPT

FIG.276

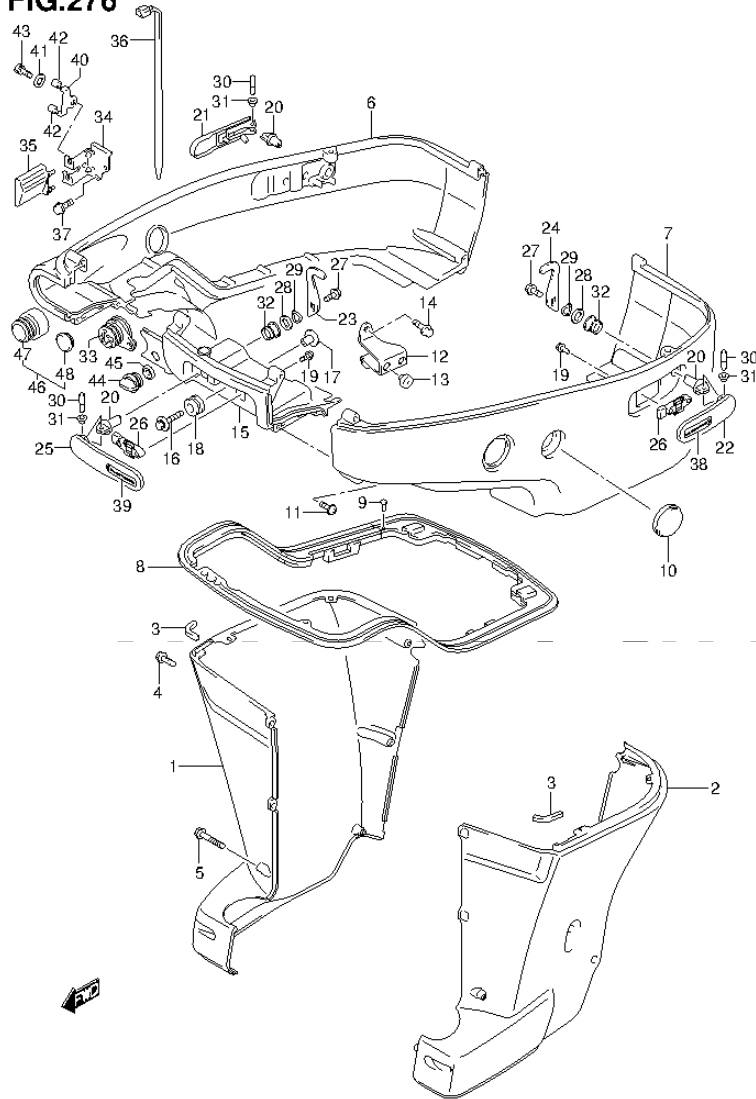


FIG.276 (3-I-5) SIDE COVER TRANSOM(X) (DF200T E40)

REF NO.	PART NO.	DESCRIPTION	Q'TY	REMARKS
1	61131-93J01-0EP	COVER, OIL PAN STBD (BLACK)	1	
2	61141-93J01-0EP	COVER, OIL PAN PORT (BLACK)	1	
3	61137-93J00	CUSHION, OIL PAN COV UPPER	2	
4	09139-06135	SCREW (6X17)	5	
5	09139-06136	SCREW (6X65)	3	
6	61811-93J40-0EP	COVER, SIDE STBD (BLACK)	1	
7	61821-93J10-0EP	COVER, SIDE PORT (BLACK)	1	
8	61134-93J20	SEAL, SIDE COVER	1	
9	09409-05302-5PK	CLIP (BLACK)	2	
10	61817-93J00	PLUG, SIDE COVER	2	
11	09136-06148	SCREW (6X35)	8	
12	61827-93J02	HOLDER, SIDE COVER	1	
13	09321-10030	CUSHION	2	
14	01550-08207	BOLT	2	
15	61831-93J13-0EP	PANEL, FRONT (BLACK)	1	
16	09118-08127	BOLT (8X40)	2	
17	09169-08039	WASHER	2	
18	09320-11013	CUSHION	2	
19	01550-05107	BOLT	6	
20	61632-93J00	SHAFT, ENGINE COVER HOOK	3	
21	61633-93J00-0EP	LEVER, HOOK RR STBD (BLACK)	1	
22	61634-93J00-0EP	LEVER, HOOK RR PORT (BLACK)	1	
23	61641-93J10	HOOK, ENGINE COVER (REAR STBD/FRONT)	2	
24	61641-93J20	HOOK, ENGINE COVER (REAR PORT)	1	
25	61645-93J01-0EP	LEVER, HOOK FR (BLACK)	1	
26	61673-93J01	LATCH, HOOK LEVER	3	
27	09116-06127	BOLT (6X12)	3	
28	09160-13014	WASHER (13.2X25X1)	3	
29	09164-14008	WASHER	3	
30	09202-04022	PIN	3	
31	09306-04005	BUSH	6	
32	09306-13007	BUSH	3	
33	61124-93J40	GROMMET, REMOCON CABLE	1	

FIG.276

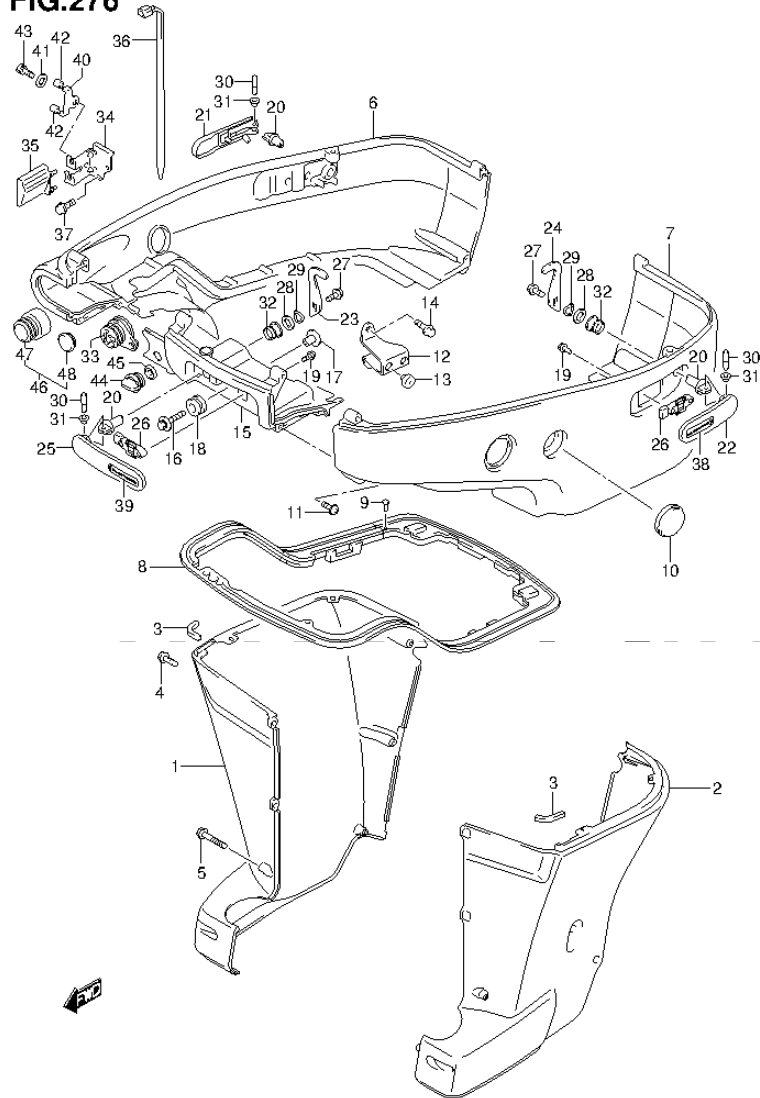


FIG.276 (3-I-6) SIDE COVER TRANSOM(X) (DF200T E40)

REF NO.	PART NO.	DESCRIPTION	Q'TY	REMARKS
34	67341-93J20	HOLDER, REMOCON CABLE	1	
35	67345-93J00	PROTECTOR, R/CON CABLE HOLDER	1	
36	09407-25402	CLAMP (L:248)	1	
37	01550-06167	BOLT	2	
38	61639-93J00	LABEL, HOOK LEVER (REAR PORT)	1	
39	61649-93J00	LABEL, HOOK LEVER (REAR STBD / FRONT)	2	
40	67343-93J20	STOPPER, REMOCON CABLE	1	
41	09160-06047	WASHER (6.5X20X2)	1	
42	09352-70103-600	HOSE (7X10.2X600)	2	L:600->14
43	01570-06107	BOLT	1	
44	17913-93J00	PLUG, WATER	1	
45	17914-93J00	GASKET, WATER PLUG	1	
46	67300-93J00	KIT, HOSE ADAPTER	1	OPT
47	67361-93J00	ADAPTER, HOSE	1	OPT
48	09250-21003	PLUG (OD:28)	1	OPT

FIG.277

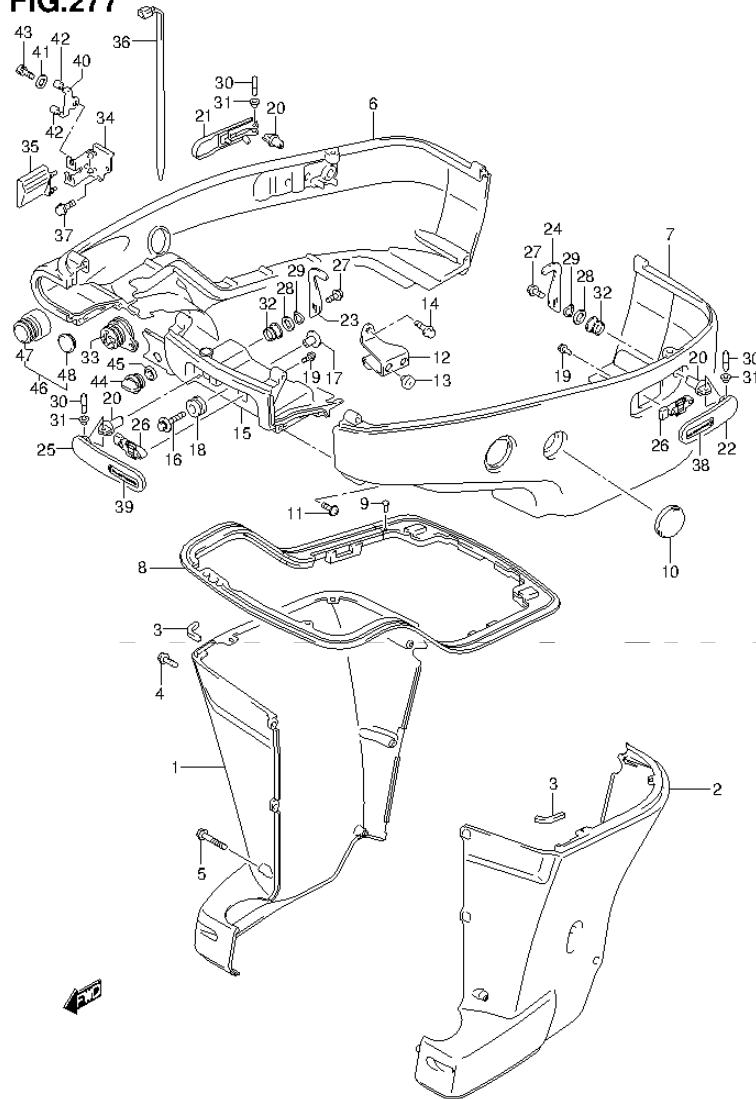


FIG.277 (3-I-7) SIDE COVER TRANSOM(X,XX) (DF200Z E1)

REF NO.	PART NO.	DESCRIPTION	Q'TY	REMARKS
1	61131-93J01-0EP	COVER, OIL PAN STBD (BLACK)	1	
2	61141-93J01-0EP	COVER, OIL PAN PORT (BLACK)	1	
3	61137-93J00	CUSHION, OIL PAN COV UPPER	2	
4	09139-06135	SCREW (6X17)	5	
5	09139-06136	SCREW (6X65)	3	
6	61811-93J40-0EP	COVER, SIDE STBD (BLACK)	1	
7	61821-93J10-0EP	COVER, SIDE PORT (BLACK)	1	
8	61134-93J20	SEAL, SIDE COVER	1	
9	09409-05302-5PK	CLIP (BLACK)	2	
10	61817-93J00	PLUG, SIDE COVER	2	
11	09136-06148	SCREW (6X35)	8	
12	61827-93J02	HOLDER, SIDE COVER	1	
13	09321-10030	CUSHION	2	
14	01550-08207	BOLT	2	
15	61831-93J13-0EP	PANEL, FRONT (BLACK)	1	
16	09118-08127	BOLT (8X40)	2	
17	09169-08039	WASHER	2	
18	09320-11013	CUSHION	2	
19	01550-05107	BOLT	6	
20	61632-93J00	SHAFT, ENGINE COVER HOOK	3	
21	61633-93J00-0EP	LEVER, HOOK RR STBD (BLACK)	1	
22	61634-93J00-0EP	LEVER, HOOK RR PORT (BLACK)	1	
23	61641-93J10	HOOK, ENGINE COVER (REAR STBD/FRONT)	2	
24	61641-93J20	HOOK, ENGINE COVER (REAR PORT)	1	
25	61645-93J01-0EP	LEVER, HOOK FR (BLACK)	1	
26	61673-93J01	LATCH, HOOK LEVER	3	
27	09116-06127	BOLT (6X12)	3	
28	09160-13014	WASHER (13.2X25X1)	3	
29	09164-14008	WASHER	3	
30	09202-04022	PIN	3	
31	09306-04005	BUSH	6	
32	09306-13007	BUSH	3	
33	61124-93J40	GROMMET, REMOCON CABLE	1	

FIG.277

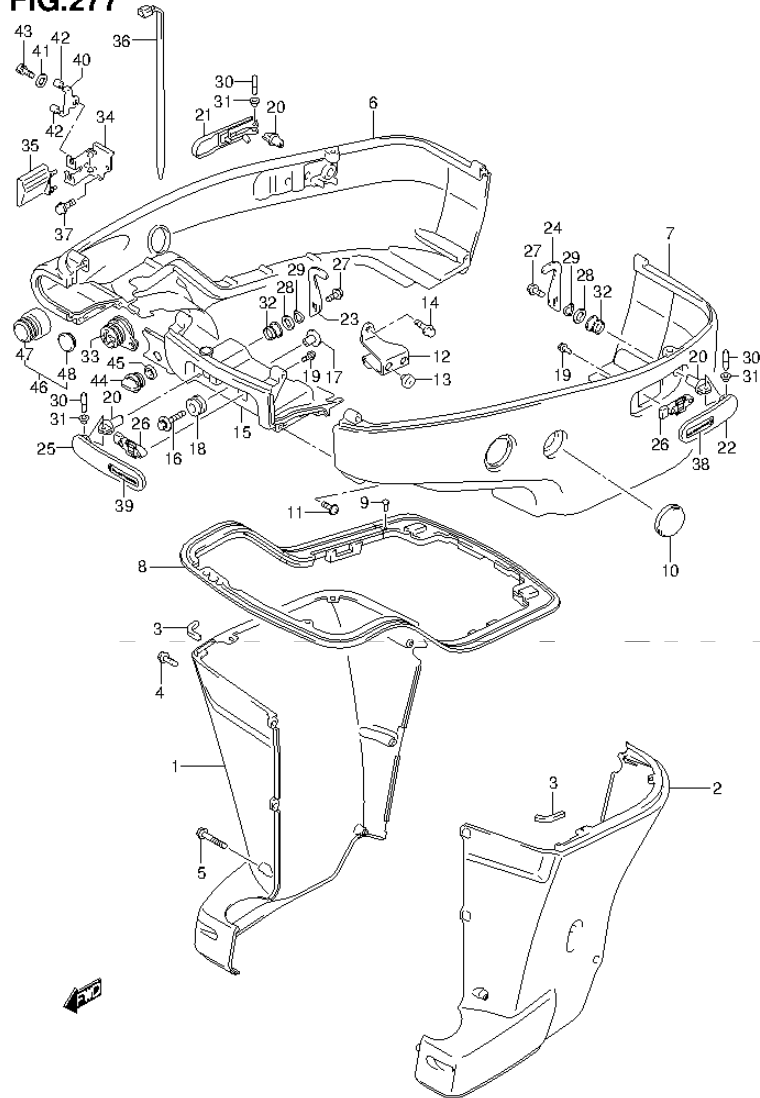


FIG.277 (3-I-8) SIDE COVER TRANSOM(X,XX) (DF200Z E1)

REF NO.	PART NO.	DESCRIPTION	Q'TY	REMARKS
34	67341-93J20	HOLDER, REMOCON CABLE	1	
35	67345-93J00	PROTECTOR, R/CON CABLE HOLDER	1	
36	09407-25402	CLAMP (L:248)	1	
37	01550-06167	BOLT	2	
38	61639-93J00	LABEL, HOOK LEVER (REAR PORT)	1	
39	61649-93J00	LABEL, HOOK LEVER (REAR STBD / FRONT)	2	
40	67343-93J20	STOPPER, REMOCON CABLE	1	
41	09160-06047	WASHER (6.5X20X2)	1	
42	09352-70103-600	HOSE (7X10.2X600)	2	L:600->14
43	01570-06107	BOLT	1	
44	17913-93J00	PLUG, WATER	1	
45	17914-93J00	GASKET, WATER PLUG	1	
46	67300-93J00	KIT, HOSE ADAPTER	1	OPT
47	67361-93J00	ADAPTER, HOSE	1	OPT
48	09250-21003	PLUG (OD:28)	1	OPT

FIG.278

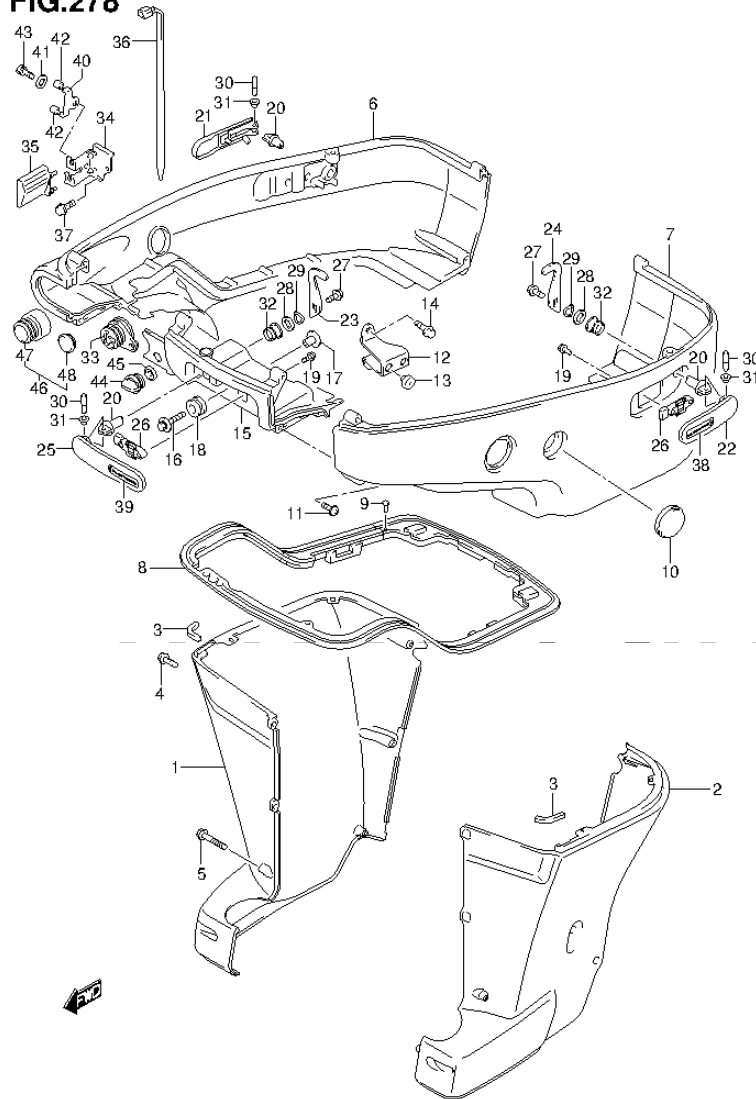


FIG.278 (3-I-9) SIDE COVER TRANSOM(X) (DF200Z E40)

REF NO.	PART NO.	DESCRIPTION	Q'TY	REMARKS
1	61131-93J01-0EP	COVER, OIL PAN STBD (BLACK)	1	
2	61141-93J01-0EP	COVER, OIL PAN PORT (BLACK)	1	
3	61137-93J00	CUSHION, OIL PAN COV UPPER	2	
4	09139-06135	SCREW (6X17)	5	
5	09139-06136	SCREW (6X65)	3	
6	61811-93J40-0EP	COVER, SIDE STBD (BLACK)	1	
7	61821-93J10-0EP	COVER, SIDE PORT (BLACK)	1	
8	61134-93J20	SEAL, SIDE COVER	1	
9	09409-05302-5PK	CLIP (BLACK)	2	
10	61817-93J00	PLUG, SIDE COVER	2	
11	09136-06148	SCREW (6X35)	8	
12	61827-93J02	HOLDER, SIDE COVER	1	
13	09321-10030	CUSHION	2	
14	01550-08207	BOLT	2	
15	61831-93J13-0EP	PANEL, FRONT (BLACK)	1	
16	09118-08127	BOLT (8X40)	2	
17	09169-08039	WASHER	2	
18	09320-11013	CUSHION	2	
19	01550-05107	BOLT	6	
20	61632-93J00	SHAFT, ENGINE COVER HOOK	3	
21	61633-93J00-0EP	LEVER, HOOK RR STBD (BLACK)	1	
22	61634-93J00-0EP	LEVER, HOOK RR PORT (BLACK)	1	
23	61641-93J10	HOOK, ENGINE COVER (REAR STBD/FRONT)	2	
24	61641-93J20	HOOK, ENGINE COVER (REAR PORT)	1	
25	61645-93J01-0EP	LEVER, HOOK FR (BLACK)	1	
26	61673-93J01	LATCH, HOOK LEVER	3	
27	09116-06127	BOLT (6X12)	3	
28	09160-13014	WASHER (13.2X25X1)	3	
29	09164-14008	WASHER	3	
30	09202-04022	PIN	3	
31	09306-04005	BUSH	6	
32	09306-13007	BUSH	3	
33	61124-93J40	GROMMET, REMOCON CABLE	1	

FIG.278

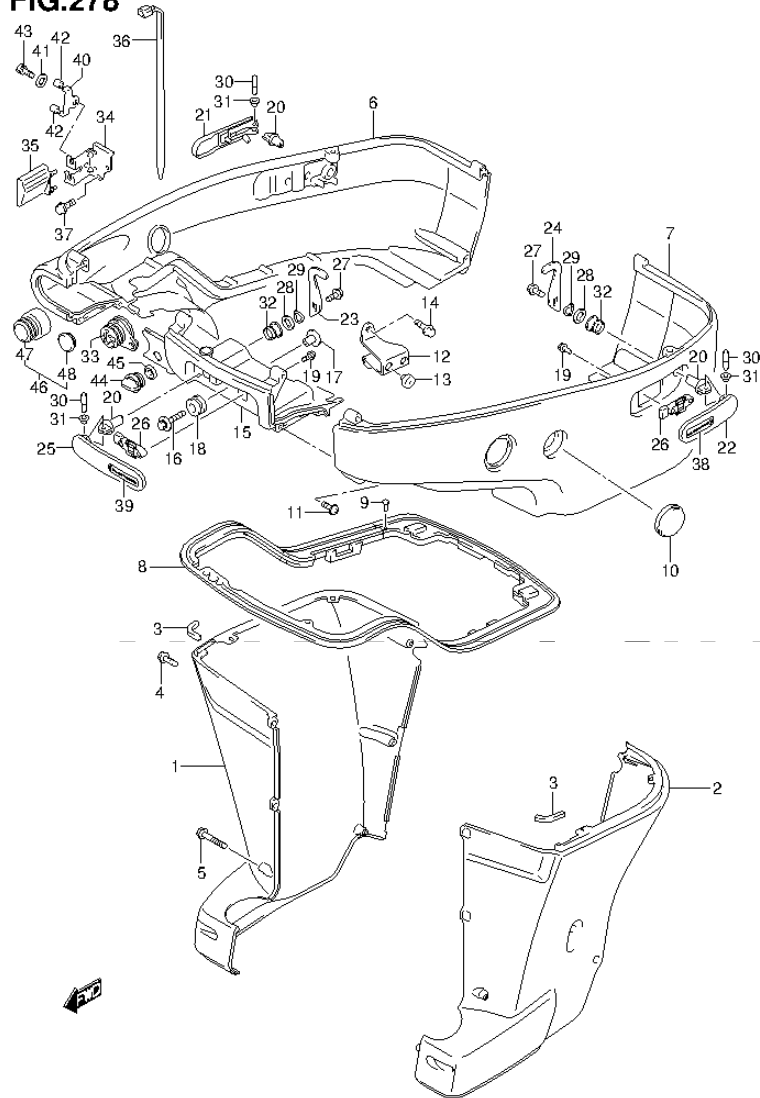


FIG.278 (3-I-10) SIDE COVER TRANSOM(X) (DF200Z E40)

REF NO.	PART NO.	DESCRIPTION	Q'TY	REMARKS
34	67341-93J20	HOLDER, REMOCON CABLE	1	
35	67345-93J00	PROTECTOR, R/CON CABLE HOLDER	1	
36	09407-25402	CLAMP (L:248)	1	
37	01550-06167	BOLT	2	
38	61639-93J00	LABEL, HOOK LEVER (REAR PORT)	1	
39	61649-93J00	LABEL, HOOK LEVER (REAR STBD / FRONT)	2	
40	67343-93J20	STOPPER, REMOCON CABLE	1	
41	09160-06047	WASHER (6.5X20X2)	1	
42	09352-70103-600	HOSE (7X10.2X600)	2	L:600->14
43	01570-06107	BOLT	1	
44	17913-93J00	PLUG, WATER	1	
45	17914-93J00	GASKET, WATER PLUG	1	
46	67300-93J00	KIT, HOSE ADAPTER	1	OPT
47	67361-93J00	ADAPTER, HOSE	1	OPT
48	09250-21003	PLUG (OD:28)	1	OPT

FIG.279

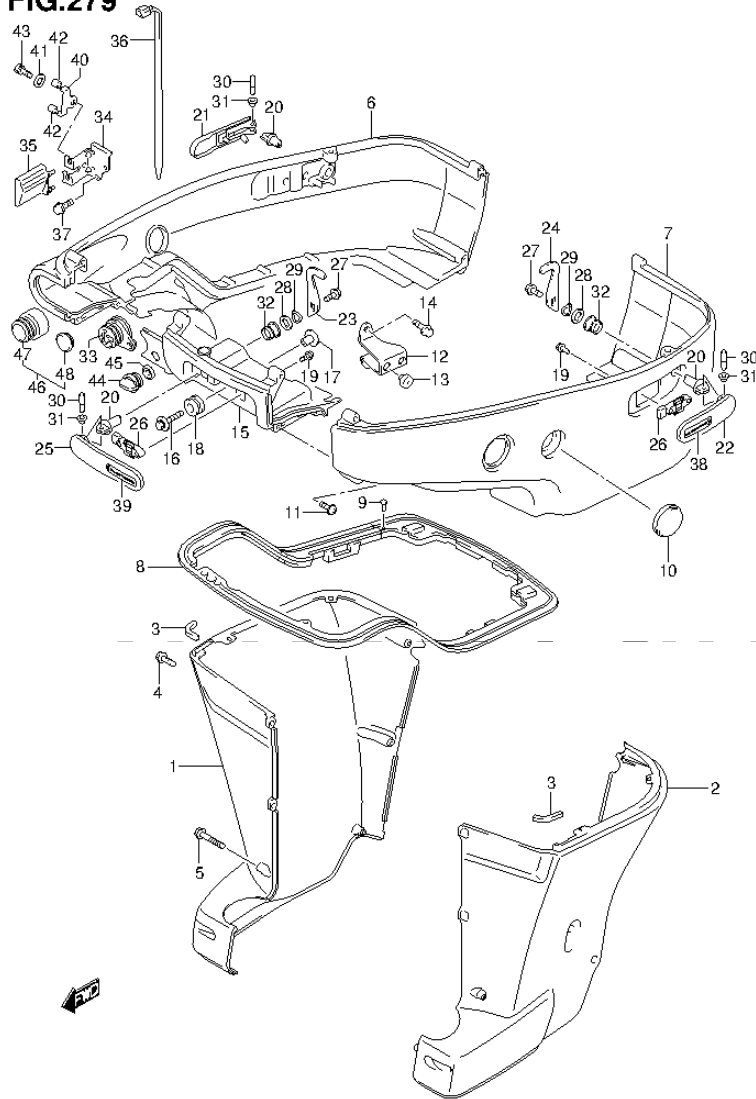


FIG.279 (3-I-11) SIDE COVER TRANSOM(X,XX) (DF225T E1)

REF NO.	PART NO.	DESCRIPTION	Q'TY	REMARKS
1	61131-93J01-0EP	COVER, OIL PAN STBD (BLACK)	1	
2	61141-93J01-0EP	COVER, OIL PAN PORT (BLACK)	1	
3	61137-93J00	CUSHION, OIL PAN COV UPPER	2	
4	09139-06135	SCREW (6X17)	5	
5	09139-06136	SCREW (6X65)	3	
6	61811-93J40-0EP	COVER, SIDE STBD (BLACK)	1	
7	61821-93J10-0EP	COVER, SIDE PORT (BLACK)	1	
8	61134-93J20	SEAL, SIDE COVER	1	
9	09409-05302-5PK	CLIP (BLACK)	2	
10	61817-93J00	PLUG, SIDE COVER	2	
11	09136-06148	SCREW (6X35)	8	
12	61827-93J02	HOLDER, SIDE COVER	1	
13	09321-10030	CUSHION	2	
14	01550-08207	BOLT	2	
15	61831-93J13-0EP	PANEL, FRONT (BLACK)	1	
16	09118-08127	BOLT (8X40)	2	
17	09169-08039	WASHER	2	
18	09320-11013	CUSHION	2	
19	01550-05107	BOLT	6	
20	61632-93J00	SHAFT, ENGINE COVER HOOK	3	
21	61633-93J00-0EP	LEVER, HOOK RR STBD (BLACK)	1	
22	61634-93J00-0EP	LEVER, HOOK RR PORT (BLACK)	1	
23	61641-93J10	HOOK, ENGINE COVER (REAR STBD/FRONT)	2	
24	61641-93J20	HOOK, ENGINE COVER (REAR PORT)	1	
25	61645-93J01-0EP	LEVER, HOOK FR (BLACK)	1	
26	61673-93J01	LATCH, HOOK LEVER	3	
27	09116-06127	BOLT (6X12)	3	
28	09160-13014	WASHER (13.2X25X1)	3	
29	09164-14008	WASHER	3	
30	09202-04022	PIN	3	
31	09306-04005	BUSH	6	
32	09306-13007	BUSH	3	
33	61124-93J40	GROMMET, REMOCON CABLE	1	

FIG.279

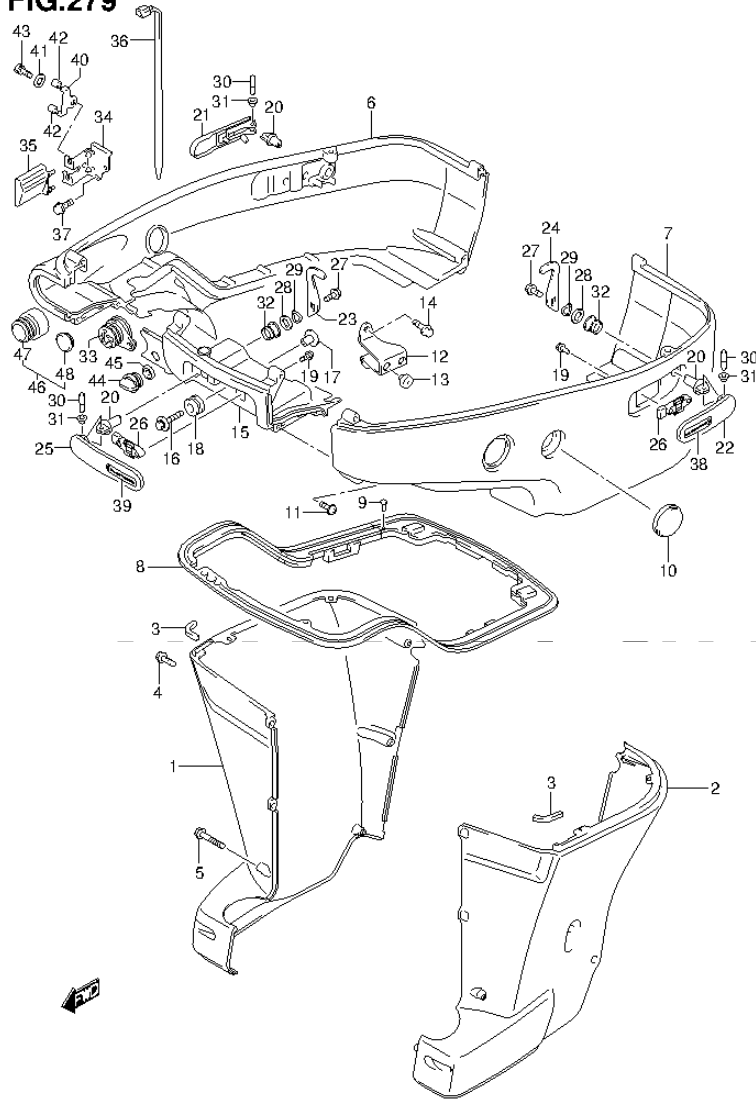


FIG.279 (3-I-12) SIDE COVER TRANSOM(X,XX) (DF225T E1)

REF NO.	PART NO.	DESCRIPTION	Q'TY	REMARKS
34	67341-93J20	HOLDER, REMOCON CABLE	1	
35	67345-93J00	PROTECTOR, R/CON CABLE HOLDER	1	
36	09407-25402	CLAMP (L:248)	1	
37	01550-06167	BOLT	2	
38	61639-93J00	LABEL, HOOK LEVER (REAR PORT)	1	
39	61649-93J00	LABEL, HOOK LEVER (REAR STBD / FRONT)	2	
40	67343-93J20	STOPPER, REMOCON CABLE	1	
41	09160-06047	WASHER (6.5X20X2)	1	
42	09352-70103-600	HOSE (7X10.2X600)	2	L:600->14
43	01570-06107	BOLT	1	
44	17913-93J00	PLUG, WATER	1	
45	17914-93J00	GASKET, WATER PLUG	1	
46	67300-93J00	KIT, HOSE ADAPTER	1	OPT
47	67361-93J00	ADAPTER, HOSE	1	OPT
48	09250-21003	PLUG (OD:28)	1	OPT

FIG.280

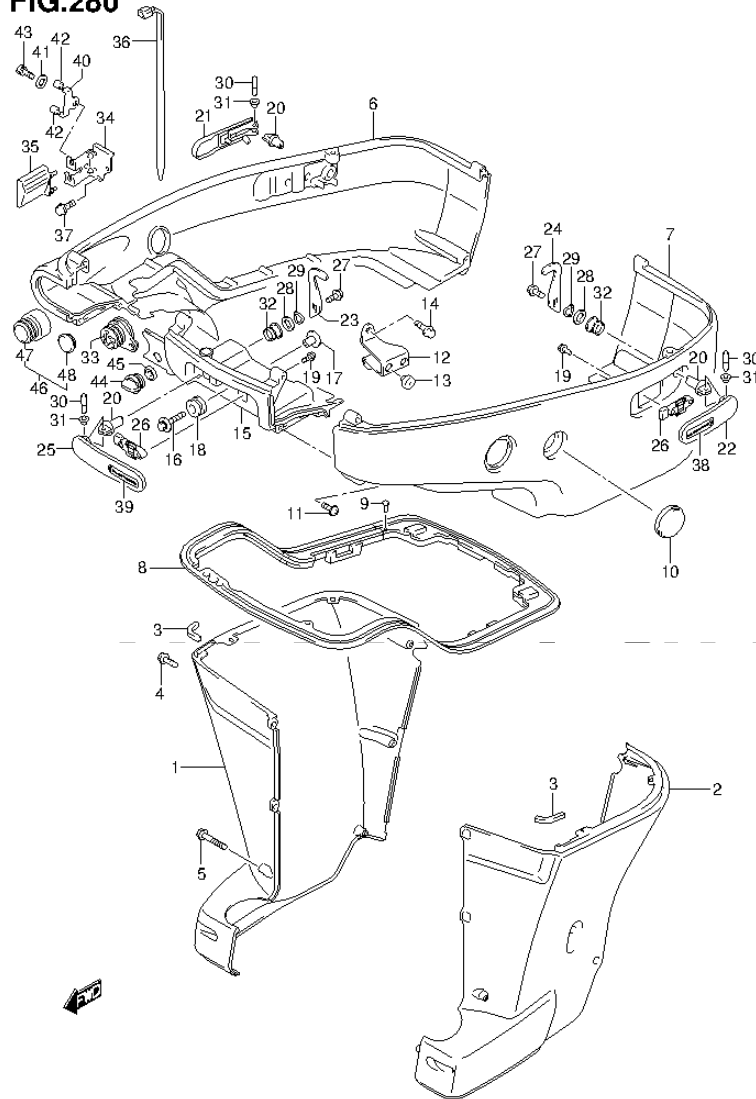


FIG.280 (3-I-13) SIDE COVER TRANSOM(X,XX) (DF225T E40)

REF NO.	PART NO.	DESCRIPTION	Q'TY	REMARKS
1	61131-93J01-0EP	COVER, OIL PAN STBD (BLACK)	1	
2	61141-93J01-0EP	COVER, OIL PAN PORT (BLACK)	1	
3	61137-93J00	CUSHION, OIL PAN COV UPPER	2	
4	09139-06135	SCREW (6X17)	5	
5	09139-06136	SCREW (6X65)	3	
6	61811-93J40-0EP	COVER, SIDE STBD (BLACK)	1	
7	61821-93J10-0EP	COVER, SIDE PORT (BLACK)	1	
8	61134-93J20	SEAL, SIDE COVER	1	
9	09409-05302-5PK	CLIP (BLACK)	2	
10	61817-93J00	PLUG, SIDE COVER	2	
11	09136-06148	SCREW (6X35)	8	
12	61827-93J02	HOLDER, SIDE COVER	1	
13	09321-10030	CUSHION	2	
14	01550-08207	BOLT	2	
15	61831-93J13-0EP	PANEL, FRONT (BLACK)	1	
16	09118-08127	BOLT (8X40)	2	
17	09169-08039	WASHER	2	
18	09320-11013	CUSHION	2	
19	01550-05107	BOLT	6	
20	61632-93J00	SHAFT, ENGINE COVER HOOK	3	
21	61633-93J00-0EP	LEVER, HOOK RR STBD (BLACK)	1	
22	61634-93J00-0EP	LEVER, HOOK RR PORT (BLACK)	1	
23	61641-93J10	HOOK, ENGINE COVER (REAR STBD/FRONT)	2	
24	61641-93J20	HOOK, ENGINE COVER (REAR PORT)	1	
25	61645-93J01-0EP	LEVER, HOOK FR (BLACK)	1	
26	61673-93J01	LATCH, HOOK LEVER	3	
27	09116-06127	BOLT (6X12)	3	
28	09160-13014	WASHER (13.2X25X1)	3	
29	09164-14008	WASHER	3	
30	09202-04022	PIN	3	
31	09306-04005	BUSH	6	
32	09306-13007	BUSH	3	
33	61124-93J40	GROMMET, REMOCON CABLE	1	

FIG.280

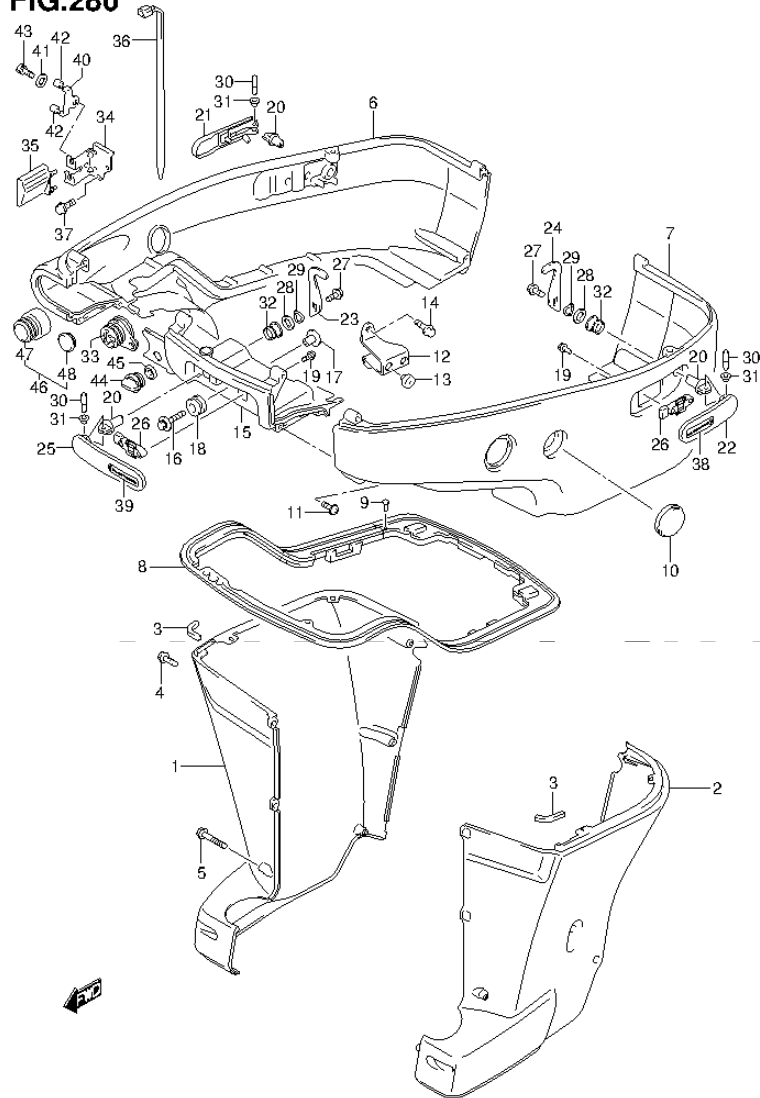


FIG.280 (3-I-14) SIDE COVER TRANSOM(X,XX) (DF225T E40)

REF NO.	PART NO.	DESCRIPTION	Q'TY	REMARKS
34	67341-93J20	HOLDER, REMOCON CABLE	1	
35	67345-93J00	PROTECTOR, R/CON CABLE HOLDER	1	
36	09407-25402	CLAMP (L:248)	1	
37	01550-06167	BOLT	2	
38	61639-93J00	LABEL, HOOK LEVER (REAR PORT)	1	
39	61649-93J00	LABEL, HOOK LEVER (REAR STBD / FRONT)	2	
40	67343-93J20	STOPPER, REMOCON CABLE	1	
41	09160-06047	WASHER (6.5X20X2)	1	
42	09352-70103-600	HOSE (7X10.2X600)	2	L:600->14
43	01570-06107	BOLT	1	
44	17913-93J00	PLUG, WATER	1	
45	17914-93J00	GASKET, WATER PLUG	1	
46	67300-93J00	KIT, HOSE ADAPTER	1	OPT
47	67361-93J00	ADAPTER, HOSE	1	OPT
48	09250-21003	PLUG (OD:28)	1	OPT

FIG.281

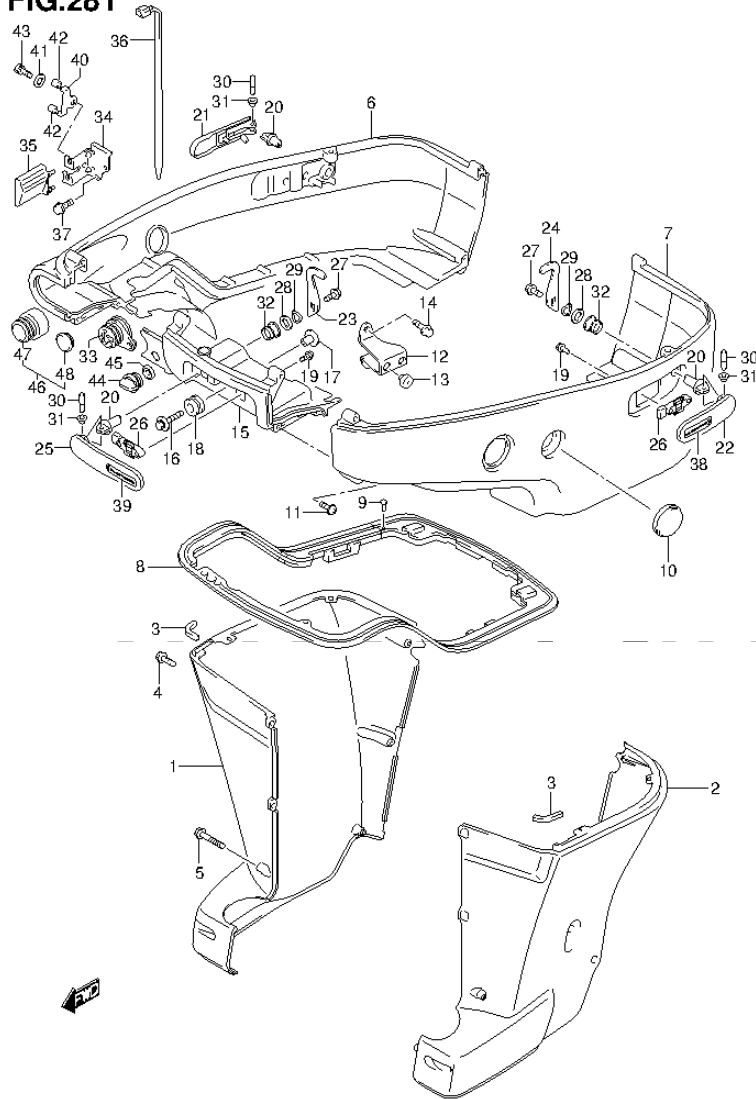


FIG.281 (3-I-15) SIDE COVER TRANSOM(X,XX) (DF225Z E1)

REF NO.	PART NO.	DESCRIPTION	Q'TY	REMARKS
1	61131-93J01-0EP	COVER, OIL PAN STBD (BLACK)	1	
2	61141-93J01-0EP	COVER, OIL PAN PORT (BLACK)	1	
3	61137-93J00	CUSHION, OIL PAN COV UPPER	2	
4	09139-06135	SCREW (6X17)	5	
5	09139-06136	SCREW (6X65)	3	
6	61811-93J40-0EP	COVER, SIDE STBD (BLACK)	1	
7	61821-93J10-0EP	COVER, SIDE PORT (BLACK)	1	
8	61134-93J20	SEAL, SIDE COVER	1	
9	09409-05302-5PK	CLIP (BLACK)	2	
10	61817-93J00	PLUG, SIDE COVER	2	
11	09136-06148	SCREW (6X35)	8	
12	61827-93J02	HOLDER, SIDE COVER	1	
13	09321-10030	CUSHION	2	
14	01550-08207	BOLT	2	
15	61831-93J13-0EP	PANEL, FRONT (BLACK)	1	
16	09118-08127	BOLT (8X40)	2	
17	09169-08039	WASHER	2	
18	09320-11013	CUSHION	2	
19	01550-05107	BOLT	6	
20	61632-93J00	SHAFT, ENGINE COVER HOOK	3	
21	61633-93J00-0EP	LEVER, HOOK RR STBD (BLACK)	1	
22	61634-93J00-0EP	LEVER, HOOK RR PORT (BLACK)	1	
23	61641-93J10	HOOK, ENGINE COVER (REAR STBD/FRONT)	2	
24	61641-93J20	HOOK, ENGINE COVER (REAR PORT)	1	
25	61645-93J01-0EP	LEVER, HOOK FR (BLACK)	1	
26	61673-93J01	LATCH, HOOK LEVER	3	
27	09116-06127	BOLT (6X12)	3	
28	09160-13014	WASHER (13.2X25X1)	3	
29	09164-14008	WASHER	3	
30	09202-04022	PIN	3	
31	09306-04005	BUSH	6	
32	09306-13007	BUSH	3	
33	61124-93J40	GROMMET, REMOCON CABLE	1	

FIG.281

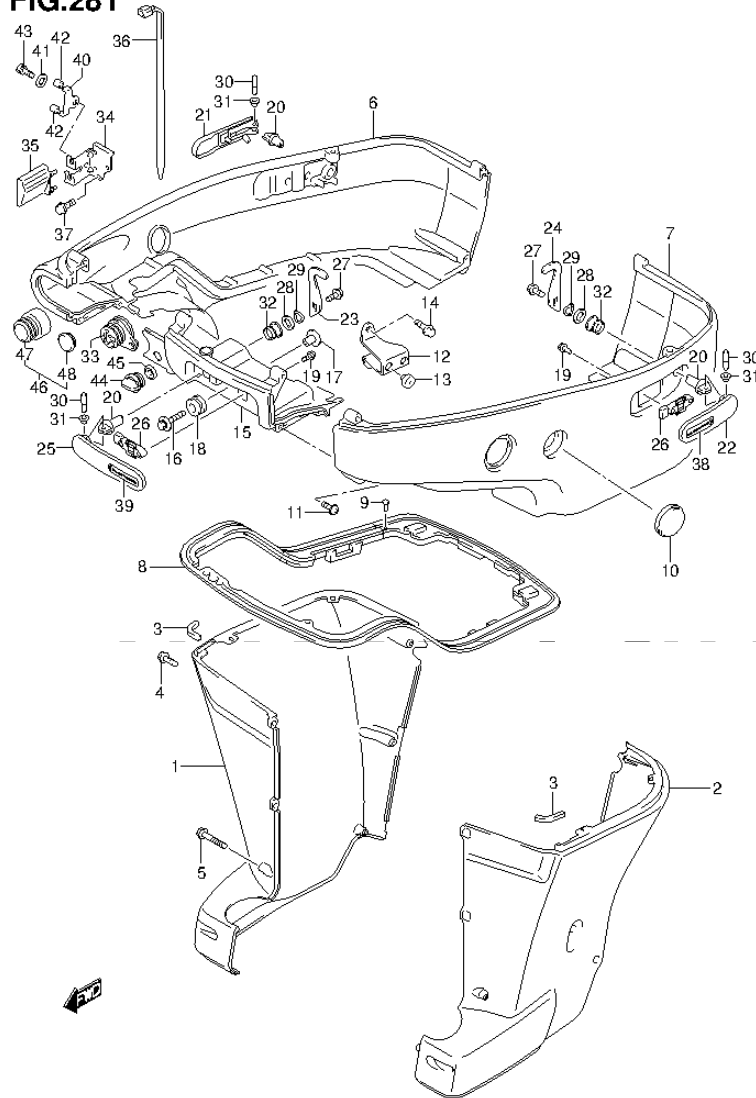


FIG.281 (3-J-2) SIDE COVER TRANSOM(X,XX) (DF225Z E1)

REF NO.	PART NO.	DESCRIPTION	Q'TY	REMARKS
34	67341-93J20	HOLDER, REMOCON CABLE	1	
35	67345-93J00	PROTECTOR, R/CON CABLE HOLDER	1	
36	09407-25402	CLAMP (L:248)	1	
37	01550-06167	BOLT	2	
38	61639-93J00	LABEL, HOOK LEVER (REAR PORT)	1	
39	61649-93J00	LABEL, HOOK LEVER (REAR STBD / FRONT)	2	
40	67343-93J20	STOPPER, REMOCON CABLE	1	
41	09160-06047	WASHER (6.5X20X2)	1	
42	09352-70103-600	HOSE (7X10.2X600)	2	L:600->14
43	01570-06107	BOLT	1	
44	17913-93J00	PLUG, WATER	1	
45	17914-93J00	GASKET, WATER PLUG	1	
46	67300-93J00	KIT, HOSE ADAPTER	1	OPT
47	67361-93J00	ADAPTER, HOSE	1	OPT
48	09250-21003	PLUG (OD:28)	1	OPT

FIG.282

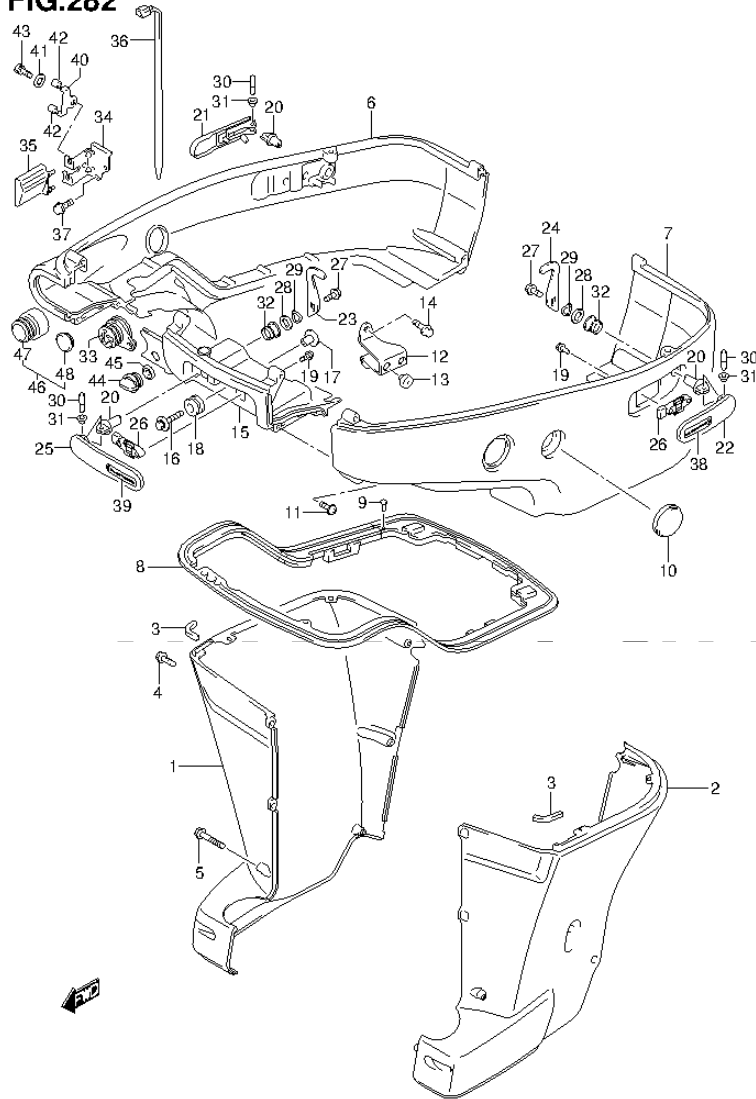


FIG.282 (3-J-3) SIDE COVER TRANSOM(X,XX) (DF225Z E40)

REF NO.	PART NO.	DESCRIPTION	Q'TY	REMARKS
1	61131-93J01-0EP	COVER, OIL PAN STBD (BLACK)	1	
2	61141-93J01-0EP	COVER, OIL PAN PORT (BLACK)	1	
3	61137-93J00	CUSHION, OIL PAN COV UPPER	2	
4	09139-06135	SCREW (6X17)	5	
5	09139-06136	SCREW (6X65)	3	
6	61811-93J40-0EP	COVER, SIDE STBD (BLACK)	1	
7	61821-93J10-0EP	COVER, SIDE PORT (BLACK)	1	
8	61134-93J20	SEAL, SIDE COVER	1	
9	09409-05302-5PK	CLIP (BLACK)	2	
10	61817-93J00	PLUG, SIDE COVER	2	
11	09136-06148	SCREW (6X35)	8	
12	61827-93J02	HOLDER, SIDE COVER	1	
13	09321-10030	CUSHION	2	
14	01550-08207	BOLT	2	
15	61831-93J13-0EP	PANEL, FRONT (BLACK)	1	
16	09118-08127	BOLT (8X40)	2	
17	09169-08039	WASHER	2	
18	09320-11013	CUSHION	2	
19	01550-05107	BOLT	6	
20	61632-93J00	SHAFT, ENGINE COVER HOOK	3	
21	61633-93J00-0EP	LEVER, HOOK RR STBD (BLACK)	1	
22	61634-93J00-0EP	LEVER, HOOK RR PORT (BLACK)	1	
23	61641-93J10	HOOK, ENGINE COVER (REAR STBD/FRONT)	2	
24	61641-93J20	HOOK, ENGINE COVER (REAR PORT)	1	
25	61645-93J01-0EP	LEVER, HOOK FR (BLACK)	1	
26	61673-93J01	LATCH, HOOK LEVER	3	
27	09116-06127	BOLT (6X12)	3	
28	09160-13014	WASHER (13.2X25X1)	3	
29	09164-14008	WASHER	3	
30	09202-04022	PIN	3	
31	09306-04005	BUSH	6	
32	09306-13007	BUSH	3	
33	61124-93J40	GROMMET, REMOCON CABLE	1	

FIG.282

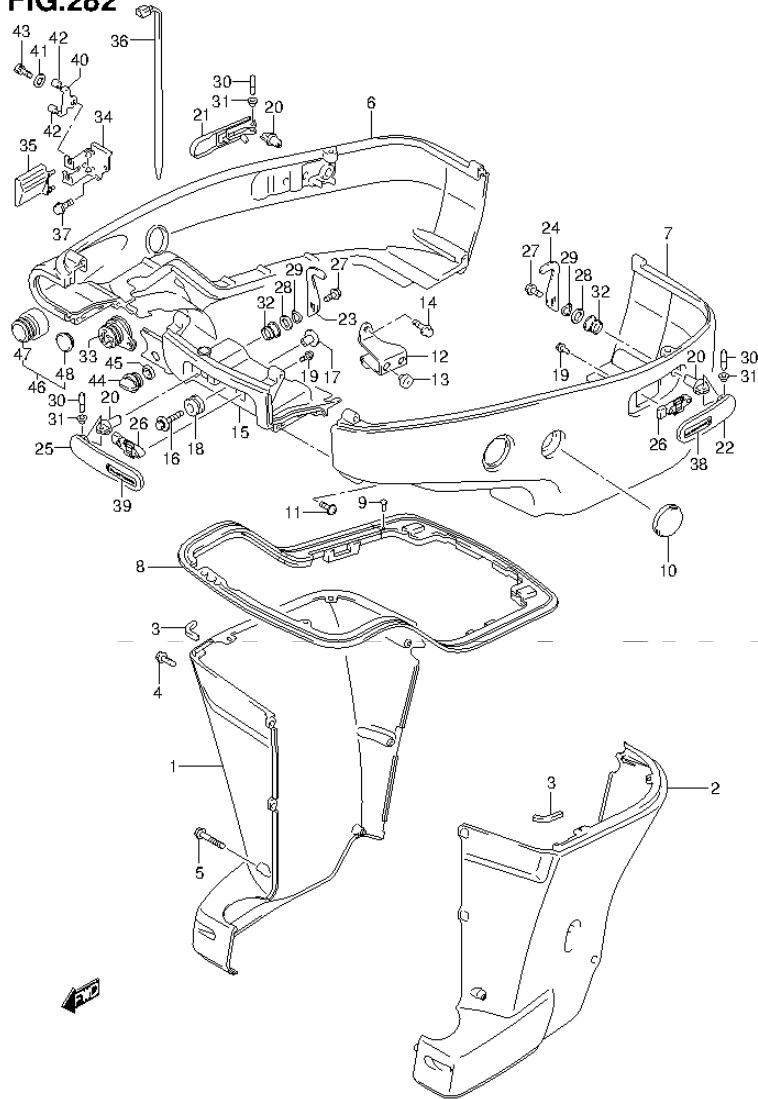


FIG.282 (3-J-4) SIDE COVER TRANSOM(X,XX) (DF225Z E40)

REF NO.	PART NO.	DESCRIPTION	Q'TY	REMARKS
34	67341-93J20	HOLDER, REMOCON CABLE	1	
35	67345-93J00	PROTECTOR, R/CON CABLE HOLDER	1	
36	09407-25402	CLAMP (L:248)	1	
37	01550-06167	BOLT	2	
38	61639-93J00	LABEL, HOOK LEVER (REAR PORT)	1	
39	61649-93J00	LABEL, HOOK LEVER (REAR STBD / FRONT)	2	
40	67343-93J20	STOPPER, REMOCON CABLE	1	
41	09160-06047	WASHER (6.5X20X2)	1	
42	09352-70103-600	HOSE (7X10.2X600)	2	L:600->14
43	01570-06107	BOLT	1	
44	17913-93J00	PLUG, WATER	1	
45	17914-93J00	GASKET, WATER PLUG	1	
46	67300-93J00	KIT, HOSE ADAPTER	1	OPT
47	67361-93J00	ADAPTER, HOSE	1	OPT
48	09250-21003	PLUG (OD:28)	1	OPT

FIG.283

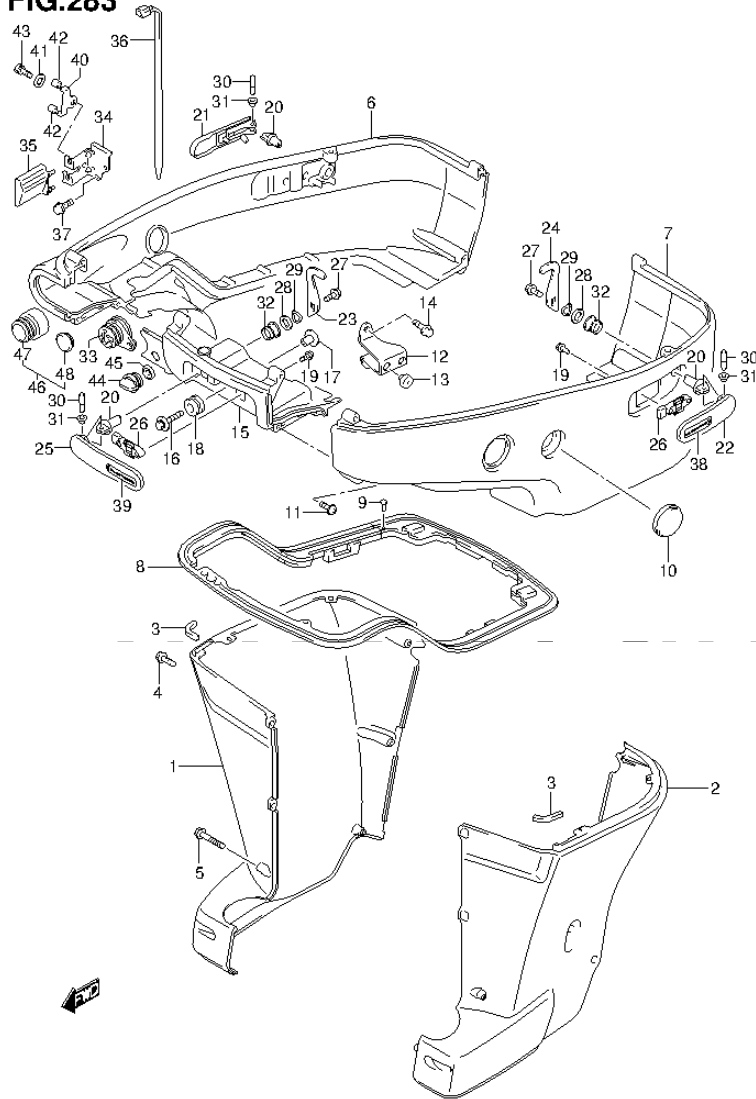


FIG.283 (3-J-5) SIDE COVER TRANSOM(X,XX) (DF250T E1)

REF NO.	PART NO.	DESCRIPTION	Q'TY	REMARKS
1	61131-93J01-0EP	COVER, OIL PAN STBD (BLACK)	1	
2	61141-93J01-0EP	COVER, OIL PAN PORT (BLACK)	1	
3	61137-93J00	CUSHION, OIL PAN COV UPPER	2	
4	09139-06135	SCREW (6X17)	5	
5	09139-06136	SCREW (6X65)	3	
6	61811-93J40-0EP	COVER, SIDE STBD (BLACK)	1	
7	61821-93J10-0EP	COVER, SIDE PORT (BLACK)	1	
8	61134-93J20	SEAL, SIDE COVER	1	
9	09409-05302-5PK	CLIP (BLACK)	2	
10	61817-93J00	PLUG, SIDE COVER	2	
11	09136-06148	SCREW (6X35)	8	
12	61827-93J02	HOLDER, SIDE COVER	1	
13	09321-10030	CUSHION	2	
14	01550-08207	BOLT	2	
15	61831-93J13-0EP	PANEL, FRONT (BLACK)	1	
16	09118-08127	BOLT (8X40)	2	
17	09169-08039	WASHER	2	
18	09320-11013	CUSHION	2	
19	01550-05107	BOLT	6	
20	61632-93J00	SHAFT, ENGINE COVER HOOK	3	
21	61633-93J00-0EP	LEVER, HOOK RR STBD (BLACK)	1	
22	61634-93J00-0EP	LEVER, HOOK RR PORT (BLACK)	1	
23	61641-93J10	HOOK, ENGINE COVER (REAR STBD/FRONT)	2	
24	61641-93J20	HOOK, ENGINE COVER (REAR PORT)	1	
25	61645-93J01-0EP	LEVER, HOOK FR (BLACK)	1	
26	61673-93J01	LATCH, HOOK LEVER	3	
27	09116-06127	BOLT (6X12)	3	
28	09160-13014	WASHER (13.2X25X1)	3	
29	09164-14008	WASHER	3	
30	09202-04022	PIN	3	
31	09306-04005	BUSH	6	
32	09306-13007	BUSH	3	
33	61124-93J40	GROMMET, REMOCON CABLE	1	

FIG.283

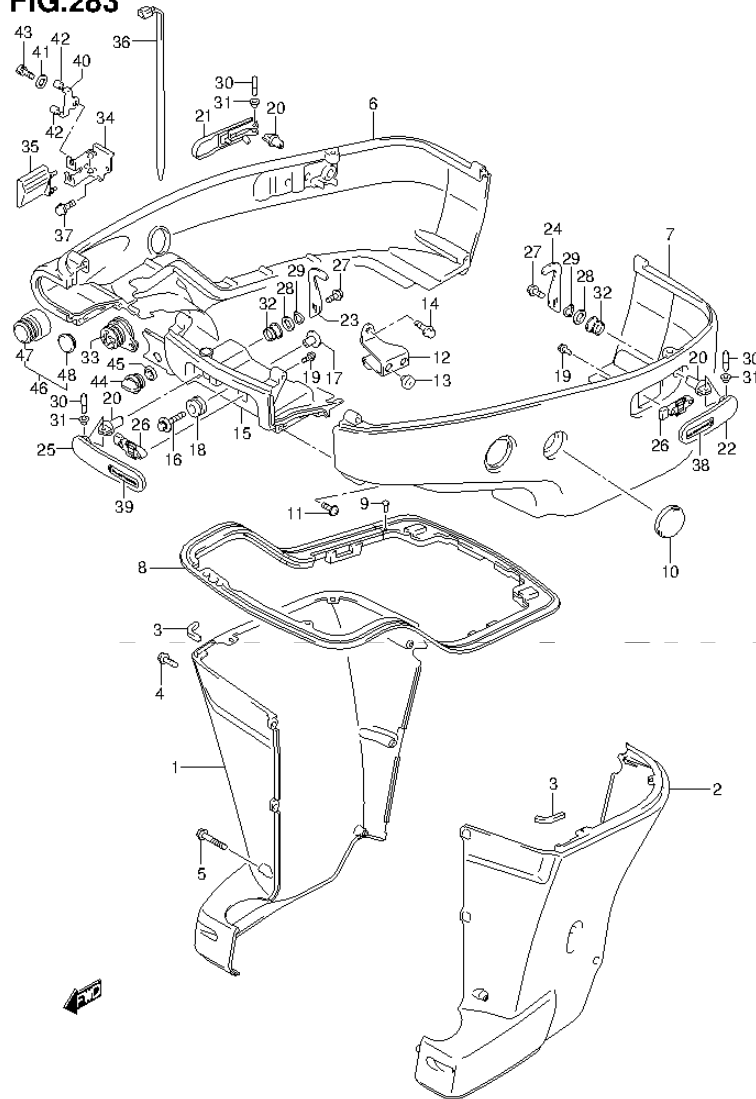


FIG.283 (3-J-6) SIDE COVER TRANSOM(X,XX) (DF250T E1)

REF NO.	PART NO.	DESCRIPTION	Q'TY	REMARKS
34	67341-93J20	HOLDER, REMOCON CABLE	1	
35	67345-93J00	PROTECTOR, R/CON CABLE HOLDER	1	
36	09407-25402	CLAMP (L:248)	1	
37	01550-06167	BOLT	2	
38	61639-93J00	LABEL, HOOK LEVER (REAR PORT)	1	
39	61649-93J00	LABEL, HOOK LEVER (REAR STBD / FRONT)	2	
40	67343-93J20	STOPPER, REMOCON CABLE	1	
41	09160-06047	WASHER (6.5X20X2)	1	
42	09352-70103-600	HOSE (7X10.2X600)	2	L:600->14
43	01570-06107	BOLT	1	
44	17913-93J00	PLUG, WATER	1	
45	17914-93J00	GASKET, WATER PLUG	1	
46	67300-93J00	KIT, HOSE ADAPTER	1	OPT
47	67361-93J00	ADAPTER, HOSE	1	OPT
48	09250-21003	PLUG (OD:28)	1	OPT

FIG.284

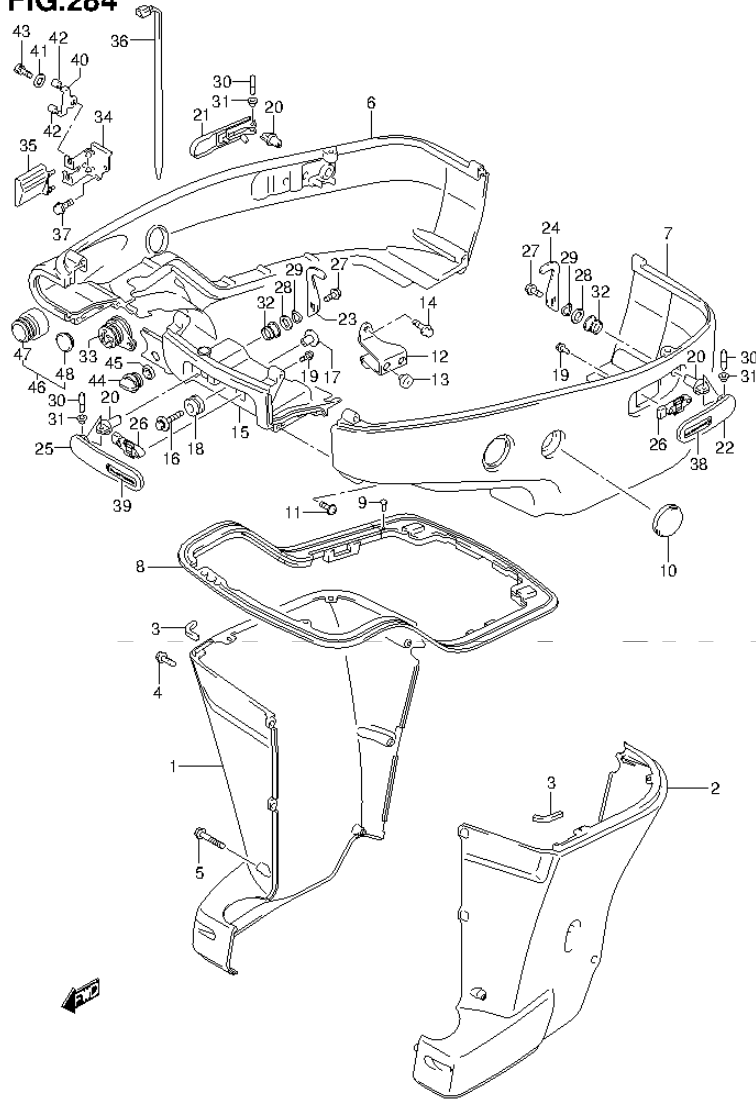


FIG.284 (3-J-7) SIDE COVER TRANSOM(X,XX) (DF250T E40)

REF NO.	PART NO.	DESCRIPTION	Q'TY	REMARKS
1	61131-93J01-0EP	COVER, OIL PAN STBD (BLACK)	1	
2	61141-93J01-0EP	COVER, OIL PAN PORT (BLACK)	1	
3	61137-93J00	CUSHION, OIL PAN COV UPPER	2	
4	09139-06135	SCREW (6X17)	5	
5	09139-06136	SCREW (6X65)	3	
6	61811-93J40-0EP	COVER, SIDE STBD (BLACK)	1	
7	61821-93J10-0EP	COVER, SIDE PORT (BLACK)	1	
8	61134-93J20	SEAL, SIDE COVER	1	
9	09409-05302-5PK	CLIP (BLACK)	2	
10	61817-93J00	PLUG, SIDE COVER	2	
11	09136-06148	SCREW (6X35)	8	
12	61827-93J02	HOLDER, SIDE COVER	1	
13	09321-10030	CUSHION	2	
14	01550-08207	BOLT	2	
15	61831-93J13-0EP	PANEL, FRONT (BLACK)	1	
16	09118-08127	BOLT (8X40)	2	
17	09169-08039	WASHER	2	
18	09320-11013	CUSHION	2	
19	01550-05107	BOLT	6	
20	61632-93J00	SHAFT, ENGINE COVER HOOK	3	
21	61633-93J00-0EP	LEVER, HOOK RR STBD (BLACK)	1	
22	61634-93J00-0EP	LEVER, HOOK RR PORT (BLACK)	1	
23	61641-93J10	HOOK, ENGINE COVER (REAR STBD/FRONT)	2	
24	61641-93J20	HOOK, ENGINE COVER (REAR PORT)	1	
25	61645-93J01-0EP	LEVER, HOOK FR (BLACK)	1	
26	61673-93J01	LATCH, HOOK LEVER	3	
27	09116-06127	BOLT (6X12)	3	
28	09160-13014	WASHER (13.2X25X1)	3	
29	09164-14008	WASHER	3	
30	09202-04022	PIN	3	
31	09306-04005	BUSH	6	
32	09306-13007	BUSH	3	
33	61124-93J40	GROMMET, REMOCON CABLE	1	

FIG.284

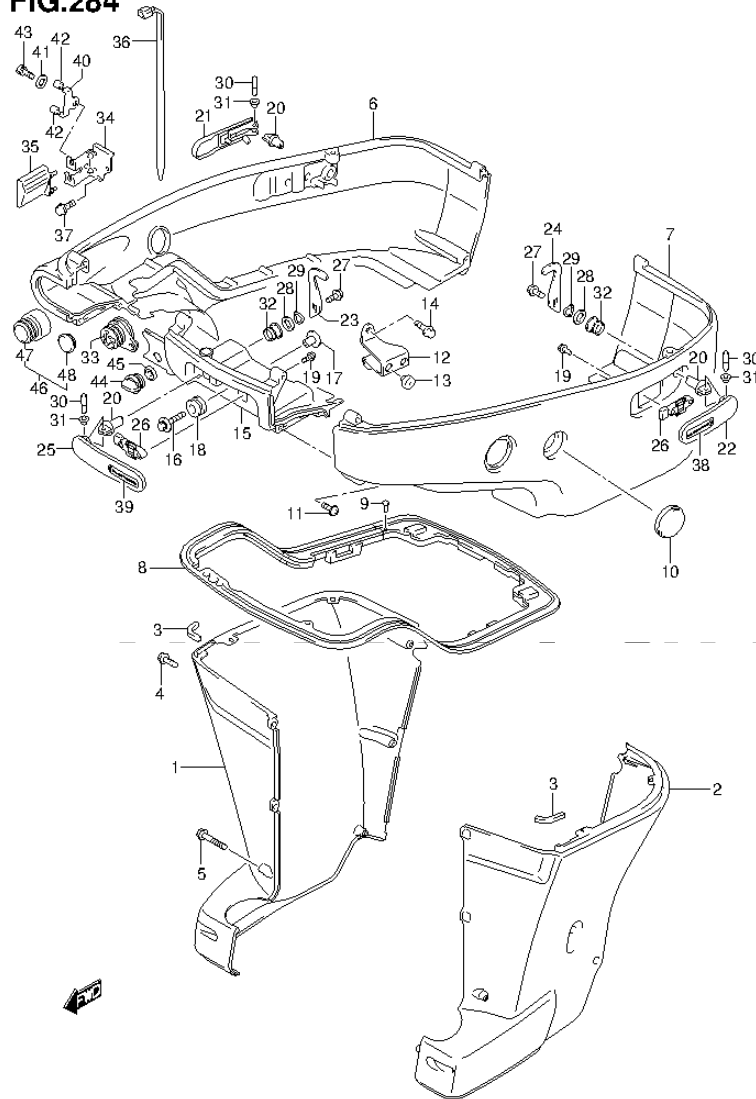


FIG.284 (3-J-8) SIDE COVER TRANSOM(X,XX) (DF250T E40)

REF NO.	PART NO.	DESCRIPTION	Q'TY	REMARKS
34	67341-93J20	HOLDER, REMOCON CABLE	1	
35	67345-93J00	PROTECTOR, R/CON CABLE HOLDER	1	
36	09407-25402	CLAMP (L:248)	1	
37	01550-06167	BOLT	2	
38	61639-93J00	LABEL, HOOK LEVER (REAR PORT)	1	
39	61649-93J00	LABEL, HOOK LEVER (REAR STBD / FRONT)	2	
40	67343-93J20	STOPPER, REMOCON CABLE	1	
41	09160-06047	WASHER (6.5X20X2)	1	
42	09352-70103-600	HOSE (7X10.2X600)	2	L:600->14
43	01570-06107	BOLT	1	
44	17913-93J00	PLUG, WATER	1	
45	17914-93J00	GASKET, WATER PLUG	1	
46	67300-93J00	KIT, HOSE ADAPTER	1	OPT
47	67361-93J00	ADAPTER, HOSE	1	OPT
48	09250-21003	PLUG (OD:28)	1	OPT

FIG.285

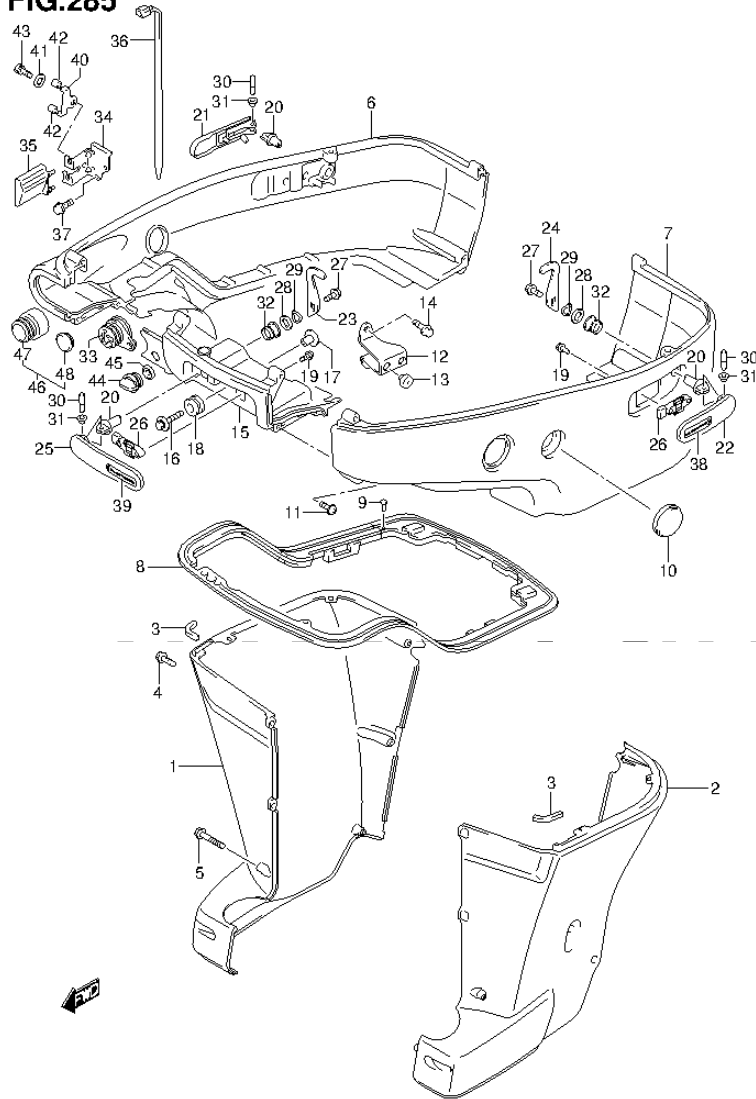


FIG.285 (3-J-9) SIDE COVER TRANSOM(X,XX) (DF250Z E1)

REF NO.	PART NO.	DESCRIPTION	Q'TY	REMARKS
1	61131-93J01-0EP	COVER, OIL PAN STBD (BLACK)	1	
2	61141-93J01-0EP	COVER, OIL PAN PORT (BLACK)	1	
3	61137-93J00	CUSHION, OIL PAN COV UPPER	2	
4	09139-06135	SCREW (6X17)	5	
5	09139-06136	SCREW (6X65)	3	
6	61811-93J40-0EP	COVER, SIDE STBD (BLACK)	1	
7	61821-93J10-0EP	COVER, SIDE PORT (BLACK)	1	
8	61134-93J20	SEAL, SIDE COVER	1	
9	09409-05302-5PK	CLIP (BLACK)	2	
10	61817-93J00	PLUG, SIDE COVER	2	
11	09136-06148	SCREW (6X35)	8	
12	61827-93J02	HOLDER, SIDE COVER	1	
13	09321-10030	CUSHION	2	
14	01550-08207	BOLT	2	
15	61831-93J13-0EP	PANEL, FRONT (BLACK)	1	
16	09118-08127	BOLT (8X40)	2	
17	09169-08039	WASHER	2	
18	09320-11013	CUSHION	2	
19	01550-05107	BOLT	6	
20	61632-93J00	SHAFT, ENGINE COVER HOOK	3	
21	61633-93J00-0EP	LEVER, HOOK RR STBD (BLACK)	1	
22	61634-93J00-0EP	LEVER, HOOK RR PORT (BLACK)	1	
23	61641-93J10	HOOK, ENGINE COVER (REAR STBD/FRONT)	2	
24	61641-93J20	HOOK, ENGINE COVER (REAR PORT)	1	
25	61645-93J01-0EP	LEVER, HOOK FR (BLACK)	1	
26	61673-93J01	LATCH, HOOK LEVER	3	
27	09116-06127	BOLT (6X12)	3	
28	09160-13014	WASHER (13.2X25X1)	3	
29	09164-14008	WASHER	3	
30	09202-04022	PIN	3	
31	09306-04005	BUSH	6	
32	09306-13007	BUSH	3	
33	61124-93J40	GROMMET, REMOCON CABLE	1	

FIG.285

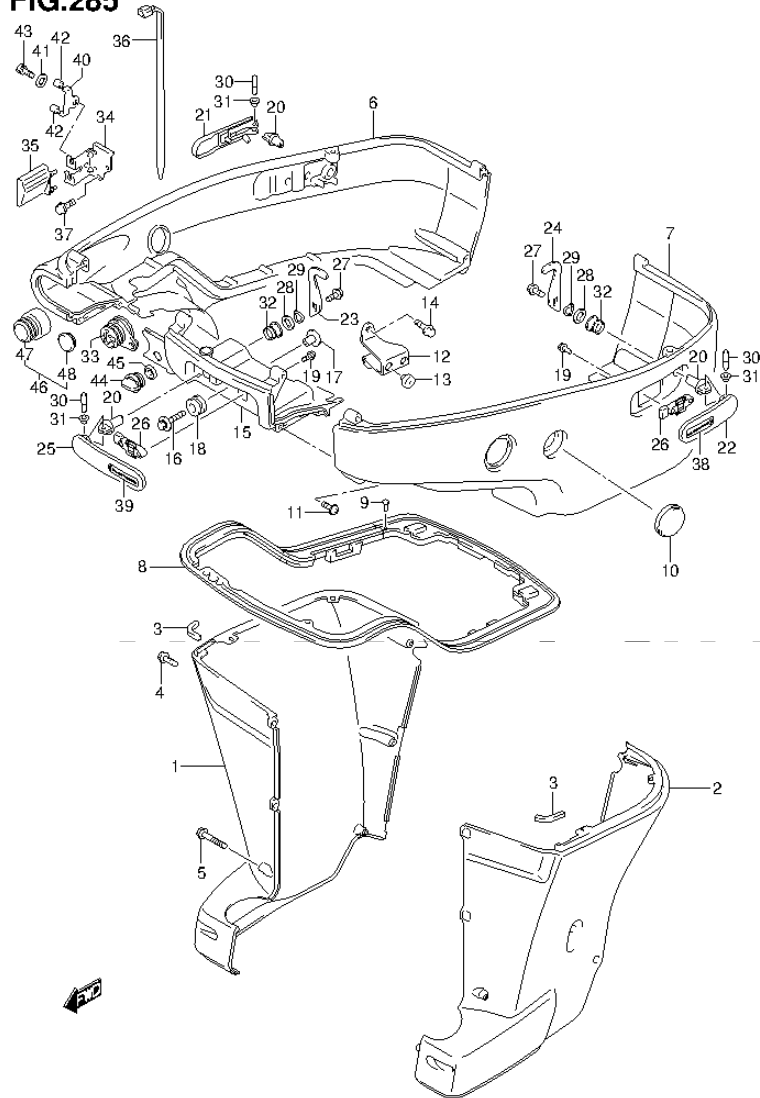


FIG.285 (3-J-10) SIDE COVER TRANSOM(X,XX) (DF250Z E1)

REF NO.	PART NO.	DESCRIPTION	Q'TY	REMARKS
34	67341-93J20	HOLDER, REMOCON CABLE	1	
35	67345-93J00	PROTECTOR, R/CON CABLE HOLDER	1	
36	09407-25402	CLAMP (L:248)	1	
37	01550-06167	BOLT	2	
38	61639-93J00	LABEL, HOOK LEVER (REAR PORT)	1	
39	61649-93J00	LABEL, HOOK LEVER (REAR STBD / FRONT)	2	
40	67343-93J20	STOPPER, REMOCON CABLE	1	
41	09160-06047	WASHER (6.5X20X2)	1	
42	09352-70103-600	HOSE (7X10.2X600)	2	L:600->14
43	01570-06107	BOLT	1	
44	17913-93J00	PLUG, WATER	1	
45	17914-93J00	GASKET, WATER PLUG	1	
46	67300-93J00	KIT, HOSE ADAPTER	1	OPT
47	67361-93J00	ADAPTER, HOSE	1	OPT
48	09250-21003	PLUG (OD:28)	1	OPT

FIG.286

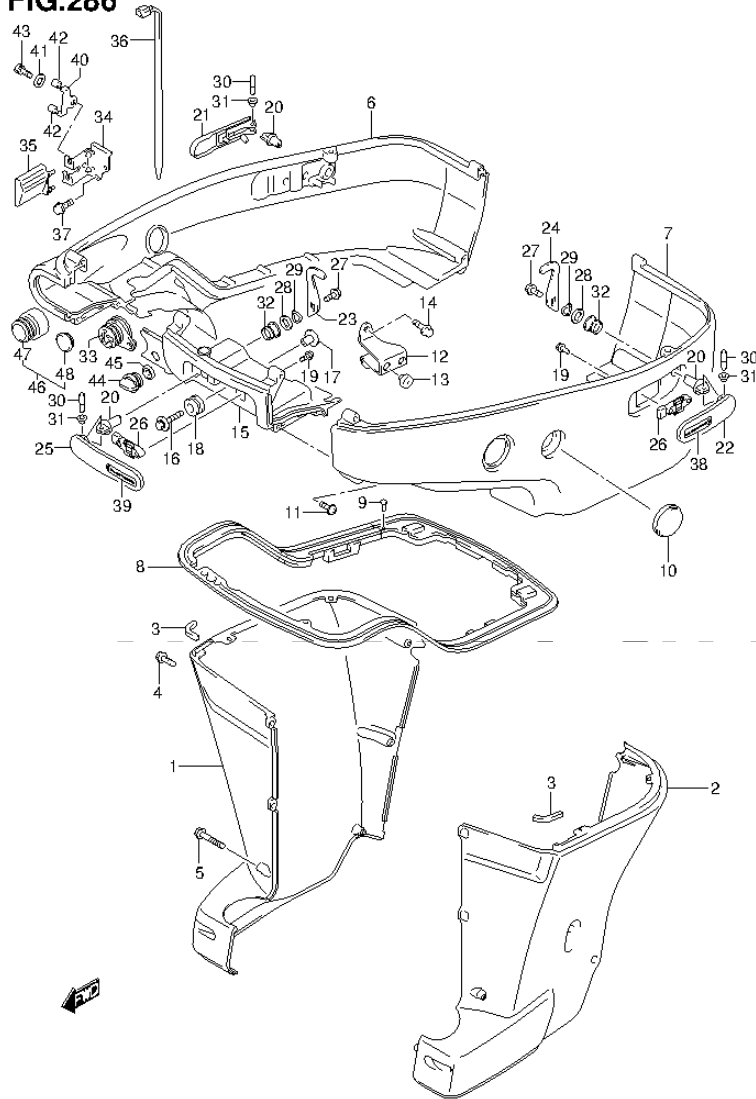


FIG.286 (3-J-11) SIDE COVER TRANSOM(X,XX) (DF250Z E40)

REF NO.	PART NO.	DESCRIPTION	Q'TY	REMARKS
1	61131-93J01-0EP	COVER, OIL PAN STBD (BLACK)	1	
2	61141-93J01-0EP	COVER, OIL PAN PORT (BLACK)	1	
3	61137-93J00	CUSHION, OIL PAN COV UPPER	2	
4	09139-06135	SCREW (6X17)	5	
5	09139-06136	SCREW (6X65)	3	
6	61811-93J40-0EP	COVER, SIDE STBD (BLACK)	1	
7	61821-93J10-0EP	COVER, SIDE PORT (BLACK)	1	
8	61134-93J20	SEAL, SIDE COVER	1	
9	09409-05302-5PK	CLIP (BLACK)	2	
10	61817-93J00	PLUG, SIDE COVER	2	
11	09136-06148	SCREW (6X35)	8	
12	61827-93J02	HOLDER, SIDE COVER	1	
13	09321-10030	CUSHION	2	
14	01550-08207	BOLT	2	
15	61831-93J13-0EP	PANEL, FRONT (BLACK)	1	
16	09118-08127	BOLT (8X40)	2	
17	09169-08039	WASHER	2	
18	09320-11013	CUSHION	2	
19	01550-05107	BOLT	6	
20	61632-93J00	SHAFT, ENGINE COVER HOOK	3	
21	61633-93J00-0EP	LEVER, HOOK RR STBD (BLACK)	1	
22	61634-93J00-0EP	LEVER, HOOK RR PORT (BLACK)	1	
23	61641-93J10	HOOK, ENGINE COVER (REAR STBD/FRONT)	2	
24	61641-93J20	HOOK, ENGINE COVER (REAR PORT)	1	
25	61645-93J01-0EP	LEVER, HOOK FR (BLACK)	1	
26	61673-93J01	LATCH, HOOK LEVER	3	
27	09116-06127	BOLT (6X12)	3	
28	09160-13014	WASHER (13.2X25X1)	3	
29	09164-14008	WASHER	3	
30	09202-04022	PIN	3	
31	09306-04005	BUSH	6	
32	09306-13007	BUSH	3	
33	61124-93J40	GROMMET, REMOCON CABLE	1	

FIG.286

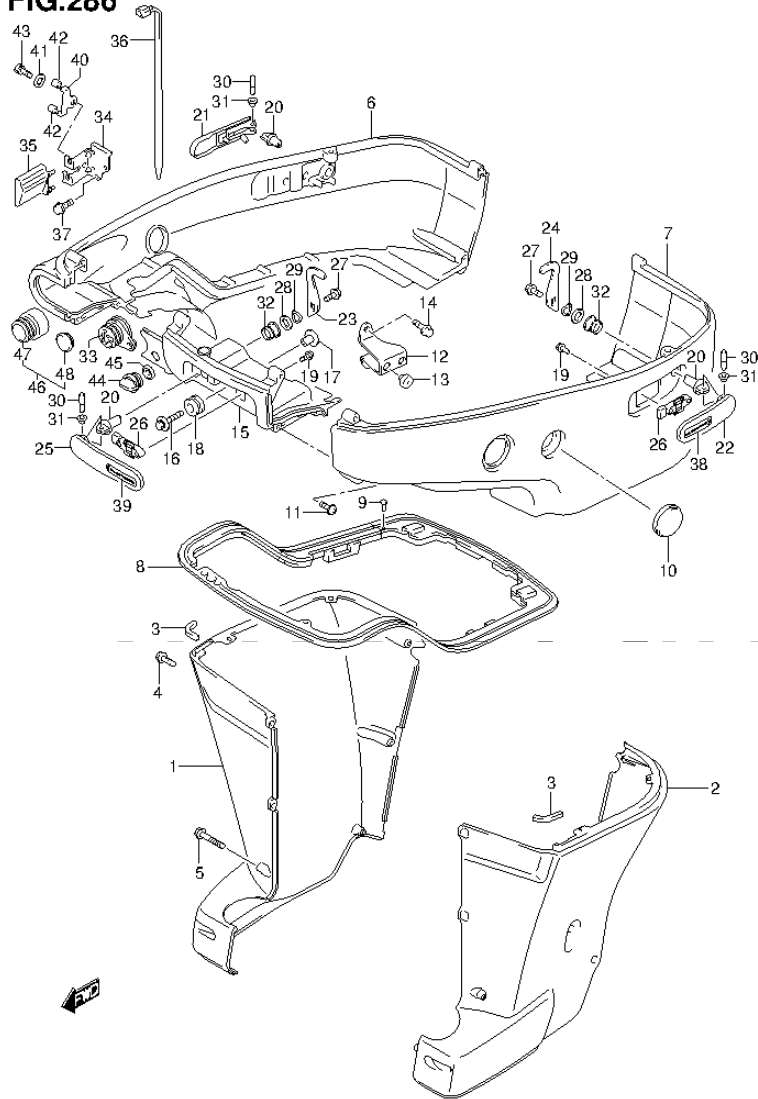


FIG.286 (3-J-12) SIDE COVER TRANSOM(X,XX) (DF250Z E40)

REF NO.	PART NO.	DESCRIPTION	Q'TY	REMARKS
34	67341-93J20	HOLDER, REMOCON CABLE	1	
35	67345-93J00	PROTECTOR, R/CON CABLE HOLDER	1	
36	09407-25402	CLAMP (L:248)	1	
37	01550-06167	BOLT	2	
38	61639-93J00	LABEL, HOOK LEVER (REAR PORT)	1	
39	61649-93J00	LABEL, HOOK LEVER (REAR STBD / FRONT)	2	
40	67343-93J20	STOPPER, REMOCON CABLE	1	
41	09160-06047	WASHER (6.5X20X2)	1	
42	09352-70103-600	HOSE (7X10.2X600)	2	L:600->14
43	01570-06107	BOLT	1	
44	17913-93J00	PLUG, WATER	1	
45	17914-93J00	GASKET, WATER PLUG	1	
46	67300-93J00	KIT, HOSE ADAPTER	1	OPT
47	67361-93J00	ADAPTER, HOSE	1	OPT
48	09250-21003	PLUG (OD:28)	1	OPT

FIG.287

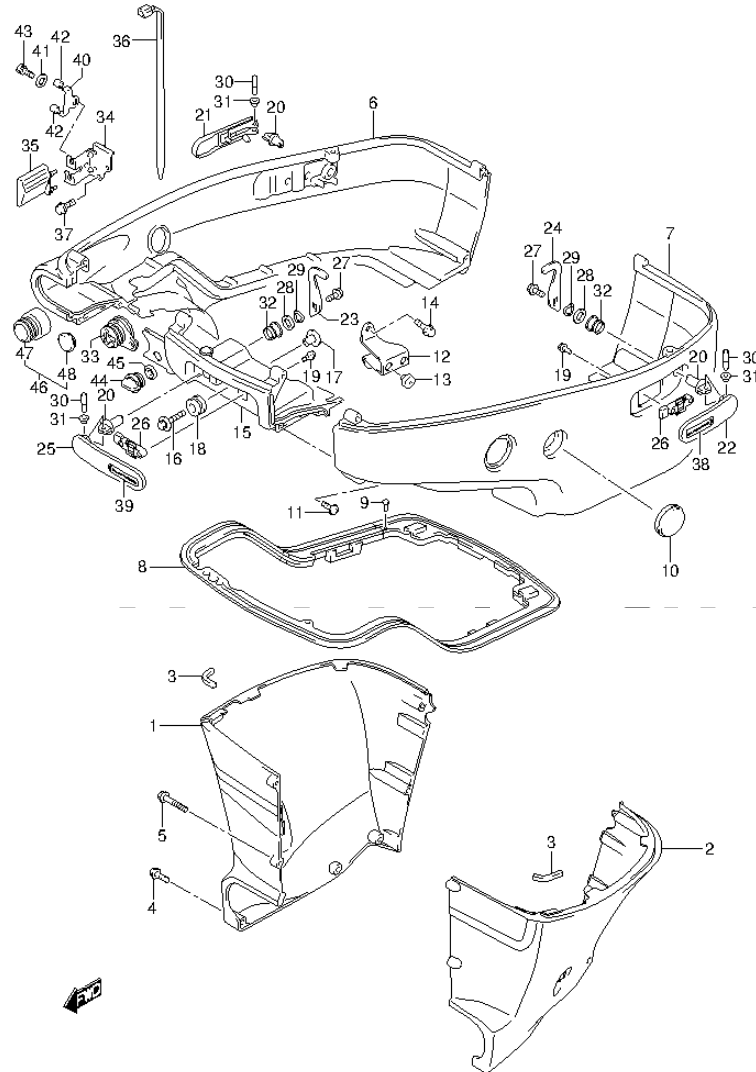


FIG.287 (3-J-13) SIDE COVER TRANSOM(L) (DF200T E1)

REF NO.	PART NO.	DESCRIPTION	Q'TY	REMARKS
1	61131-93J20-0EP	COVER, OIL PAN STBD (BLACK)	1	
2	61141-93J20-0EP	COVER, OIL PAN PORT (BLACK)	1	
3	61137-93J00	CUSHION, OIL PAN COV UPPER	2	
4	09136-06161	SCREW (6X17)	8	
5	09136-06148	SCREW (6X35)	3	
6	61811-93J30-0EP	COVER, SIDE STBD (BLACK)	1	
7	61821-93J10-0EP	COVER, SIDE PORT (BLACK)	1	
8	61134-93J20	SEAL, SIDE COVER	1	
9	09409-05302-5PK	CLIP (BLACK)	2	
10	61817-93J00	PLUG, SIDE COVER	2	
11	09136-06148	SCREW (6X35)	8	
12	61827-93J02	HOLDER, SIDE COVER	1	
13	09321-10030	CUSHION	2	
14	01550-08207	BOLT	2	
15	61831-93J13-0EP	PANEL, FRONT (BLACK)	1	
16	09118-08127	BOLT (8X40)	2	
17	09169-08039	WASHER	2	
18	09320-11013	CUSHION	2	
19	01550-05107	BOLT	6	
20	61632-93J00	SHAFT, ENGINE COVER HOOK	3	
21	61633-93J00-0EP	LEVER, HOOK RR STBD (BLACK)	1	
22	61634-93J00-0EP	LEVER, HOOK RR PORT (BLACK)	1	
23	61641-93J10	HOOK, ENGINE COVER (REAR STBD/FRONT)	2	
24	61641-93J20	HOOK, ENGINE COVER (REAR PORT)	1	
25	61645-93J01-0EP	LEVER, HOOK FR (BLACK)	1	
26	61673-93J01	LATCH, HOOK LEVER	3	
27	09116-06127	BOLT (6X12)	3	
28	09160-13014	WASHER (13.2X25X1)	3	
29	09164-14008	WASHER	3	
30	09202-04022	PIN	3	
31	09306-04005	BUSH	6	
32	09306-13007	BUSH	3	
33	61124-93J40	GROMMET, REMOCON CABLE	1	

FIG.287

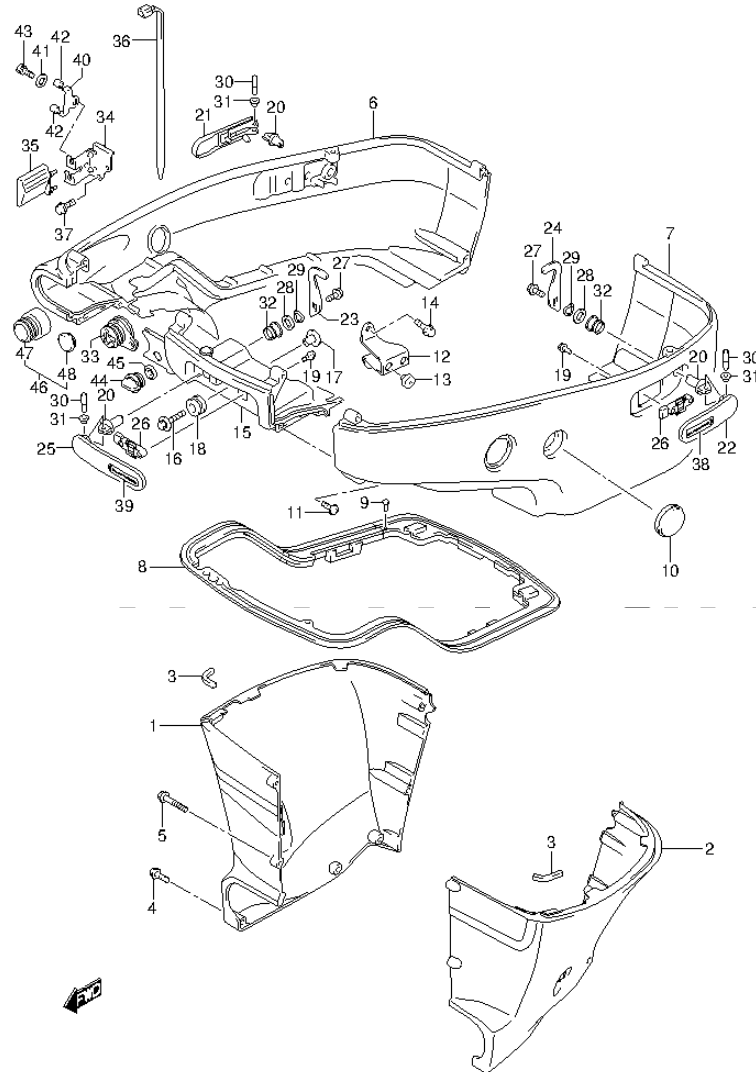


FIG.287 (3-J-14) SIDE COVER TRANSOM(L) (DF200T E1)

REF NO.	PART NO.	DESCRIPTION	Q'TY	REMARKS
34	67341-93J20	HOLDER, REMOCON CABLE	1	
35	67345-93J00	PROTECTOR, R/CON CABLE HOLDER	1	
36	09407-25402	CLAMP (L:248)	1	
37	01550-06167	BOLT	2	
38	61639-93J00	LABEL, HOOK LEVER (REAR PORT)	1	
39	61649-93J00	LABEL, HOOK LEVER (REAR STBD / FRONT)	2	
40	67343-93J20	STOPPER, REMOCON CABLE	1	
41	09160-06047	WASHER (6.5X20X2)	1	
42	09352-70103-600	HOSE (7X10.2X600)	2	L:600->14
43	01570-06107	BOLT	1	
44	17913-93J00	PLUG, WATER	1	
45	17914-93J00	GASKET, WATER PLUG	1	
46	67300-93J00	KIT, HOSE ADAPTER	1	OPT
47	67361-93J00	ADAPTER, HOSE	1	OPT
48	09250-21003	PLUG (OD:28)	1	OPT

FIG.288

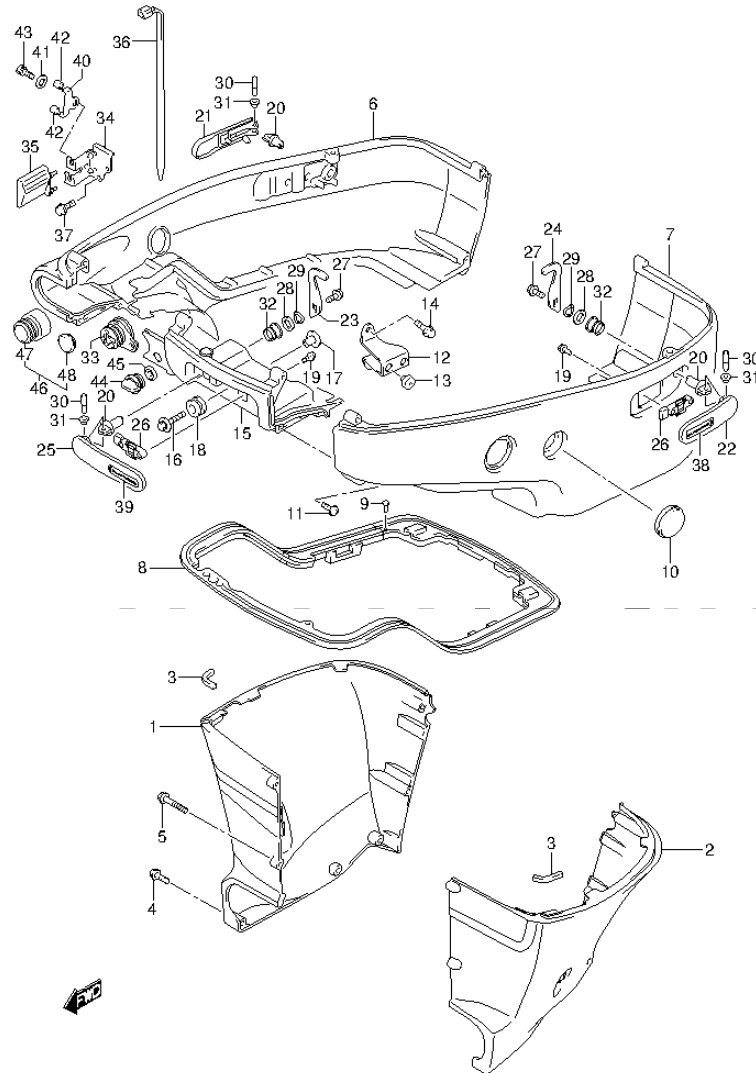


FIG.288 (3-J-15) SIDE COVER TRANSOM(L) (DF200T E40)

REF NO.	PART NO.	DESCRIPTION	Q'TY	REMARKS
1	61131-93J20-0EP	COVER, OIL PAN STBD (BLACK)	1	
2	61141-93J20-0EP	COVER, OIL PAN PORT (BLACK)	1	
3	61137-93J00	CUSHION, OIL PAN COV UPPER	2	
4	09136-06161	SCREW (6X17)	8	
5	09136-06148	SCREW (6X35)	3	
6	61811-93J30-0EP	COVER, SIDE STBD (BLACK)	1	
7	61821-93J10-0EP	COVER, SIDE PORT (BLACK)	1	
8	61134-93J20	SEAL, SIDE COVER	1	
9	09409-05302-5PK	CLIP (BLACK)	2	
10	61817-93J00	PLUG, SIDE COVER	2	
11	09136-06148	SCREW (6X35)	8	
12	61827-93J02	HOLDER, SIDE COVER	1	
13	09321-10030	CUSHION	2	
14	01550-08207	BOLT	2	
15	61831-93J13-0EP	PANEL, FRONT (BLACK)	1	
16	09118-08127	BOLT (8X40)	2	
17	09169-08039	WASHER	2	
18	09320-11013	CUSHION	2	
19	01550-05107	BOLT	6	
20	61632-93J00	SHAFT, ENGINE COVER HOOK	3	
21	61633-93J00-0EP	LEVER, HOOK RR STBD (BLACK)	1	
22	61634-93J00-0EP	LEVER, HOOK RR PORT (BLACK)	1	
23	61641-93J10	HOOK, ENGINE COVER (REAR STBD/FRONT)	2	
24	61641-93J20	HOOK, ENGINE COVER (REAR PORT)	1	
25	61645-93J01-0EP	LEVER, HOOK FR (BLACK)	1	
26	61673-93J01	LATCH, HOOK LEVER	3	
27	09116-06127	BOLT (6X12)	3	
28	09160-13014	WASHER (13.2X25X1)	3	
29	09164-14008	WASHER	3	
30	09202-04022	PIN	3	
31	09306-04005	BUSH	6	
32	09306-13007	BUSH	3	
33	61124-93J40	GROMMET, REMOCON CABLE	1	

FIG.288

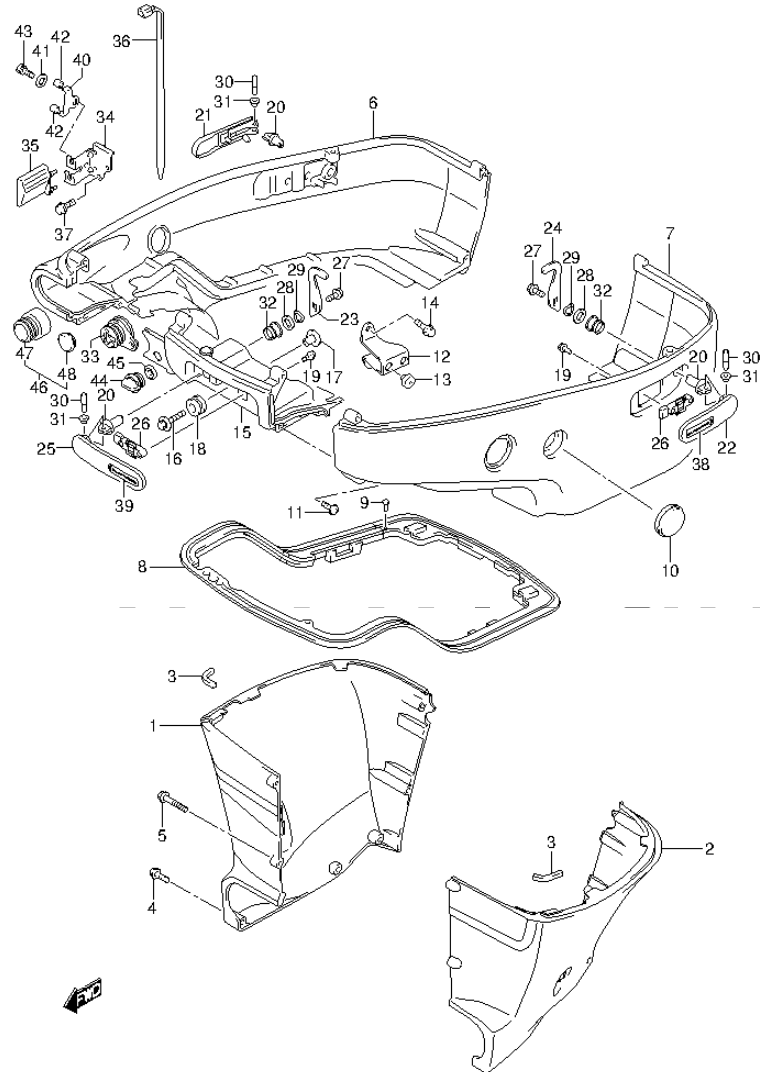


FIG.288 (3-K-2) SIDE COVER TRANSOM(L) (DF200T E40)

REF NO.	PART NO.	DESCRIPTION	Q'TY	REMARKS
34	67341-93J20	HOLDER, REMOCON CABLE	1	
35	67345-93J00	PROTECTOR, R/CON CABLE HOLDER	1	
36	09407-25402	CLAMP (L:248)	1	
37	01550-06167	BOLT	2	
38	61639-93J00	LABEL, HOOK LEVER (REAR PORT)	1	
39	61649-93J00	LABEL, HOOK LEVER (REAR STBD / FRONT)	2	
40	67343-93J20	STOPPER, REMOCON CABLE	1	
41	09160-06047	WASHER (6.5X20X2)	1	
42	09352-70103-600	HOSE (7X10.2X600)	2	L:600->14
43	01570-06107	BOLT	1	
44	17913-93J00	PLUG, WATER	1	
45	17914-93J00	GASKET, WATER PLUG	1	
46	67300-93J00	KIT, HOSE ADAPTER	1	OPT
47	67361-93J00	ADAPTER, HOSE	1	OPT
48	09250-21003	PLUG (OD:28)	1	OPT

FIG.289

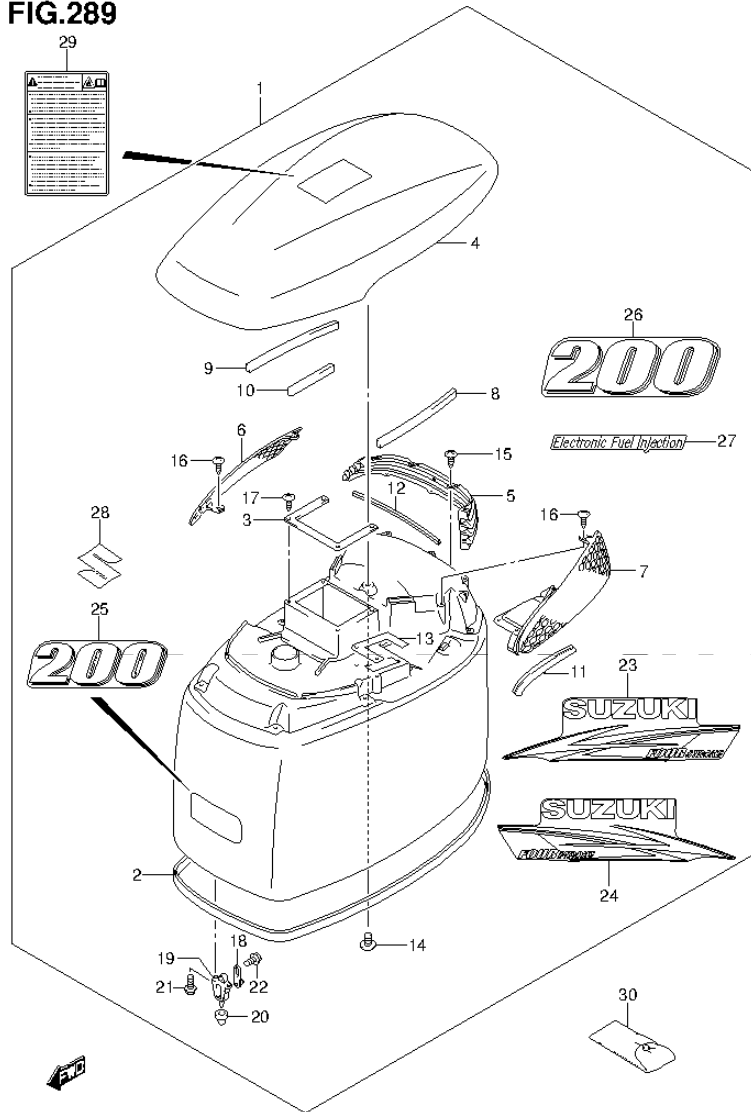


FIG.289 (3-K-3) ENGINE COVER (DF200T E1)

REF NO.	PART NO.	DESCRIPTION	Q'TY	REMARKS
1	61420-93835-0EP	COVER SET, ENGINE (BLACK)	1	
2	61112-93J20	RUBBER, ENG COVER	1	
3	61416-93J00	GUARD, AIR INTAKE	1	
4	61431-93J03-0EP	HANDLE, TILT UP (BLACK)	1	
5	61432-93J00	LOUVER, TILT UP HANDLE	1	
6	61433-93J00	COVER, AIR INTK INNER STBD	1	
7	61434-93J00	COVER, AIR INTK INNER PORT	1	
8	61438-93J00	TAPE, TILT UP HANDLE (L:250)	1	
9	61438-93J00	TAPE, TILT UP HANDLE (L:250)	1	L:250->190
10	61438-93J00	TAPE, TILT UP HANDLE (L:250)	1	L:250->106
11	61439-93J20	SEAL, TILT UP HANDLE PORT	1	
12	61439-93J40	SEAL, TILT UP HANDLE RR	1	
13	61476-93J00	SEAL, AIR VENT	1	
14	03542-05169	SCREW	8	
15	03542-05169	SCREW	4	
16	03542-05169	SCREW	5	
17	03542-05169	SCREW	4	
18	61610-93J00	FASTENER	3	
19	61621-93J00	BRACKET, FASTENER	3	
20	09329-10022	CUSHION	3	
21	01547-06167	BOLT	6	
22	01550-06127	BOLT	3	
23	61443-93J32	STRIPE, ENGINE COVER STBD	1	
24	61453-93J32	STRIPE, ENGINE COVER PORT	1	
25	61422-93J52	MARK, EMBLEM FRONT (200)	1	
26	61435-93J32	MARK, EMBLEM REAR (200)	1	
27	61446-87L12	DECAL, EFI	1	
28	68111-96J00	EMBLEM (S)	1	
29	61458-99E70	LABEL, ENGINE COVER	1	
30	09800-81834	TOOL SET	1	

FIG.290

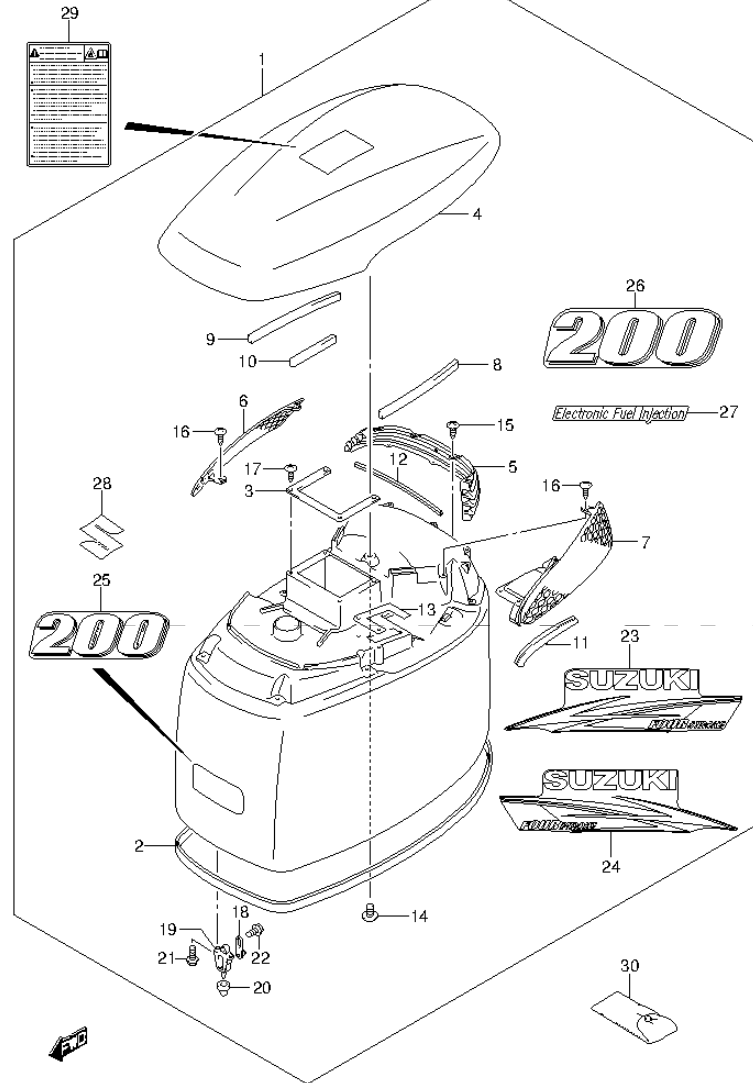


FIG.290 (3-K-4) ENGINE COVER (DF200T E40)

REF NO.	PART NO.	DESCRIPTION	Q'TY	REMARKS
1	61420-93835-0EP	COVER SET, ENGINE (BLACK)	1	
2	61112-93J20	RUBBER, ENG COVER	1	
3	61416-93J00	GUARD, AIR INTAKE	1	
4	61431-93J03-0EP	HANDLE, TILT UP (BLACK)	1	
5	61432-93J00	LOUVER, TILT UP HANDLE	1	
6	61433-93J00	COVER, AIR INTK INNER STBD	1	
7	61434-93J00	COVER, AIR INTK INNER PORT	1	
8	61438-93J00	TAPE, TILT UP HANDLE (L:250)	1	
9	61438-93J00	TAPE, TILT UP HANDLE (L:250)	1	L:250->190
10	61438-93J00	TAPE, TILT UP HANDLE (L:250)	1	L:250->106
11	61439-93J20	SEAL, TILT UP HANDLE PORT	1	
12	61439-93J40	SEAL, TILT UP HANDLE RR	1	
13	61476-93J00	SEAL, AIR VENT	1	
14	03542-05169	SCREW	8	
15	03542-05169	SCREW	4	
16	03542-05169	SCREW	5	
17	03542-05169	SCREW	4	
18	61610-93J00	FASTENER	3	
19	61621-93J00	BRACKET, FASTENER	3	
20	09329-10022	CUSHION	3	
21	01547-06167	BOLT	6	
22	01550-06127	BOLT	3	
23	61443-93J32	STRIPE, ENGINE COVER STBD	1	
24	61453-93J32	STRIPE, ENGINE COVER PORT	1	
25	61422-93J52	MARK, EMBLEM FRONT (200)	1	
26	61435-93J32	MARK, EMBLEM REAR (200)	1	
27	61446-87L12	DECAL, EFI	1	
28	68111-96J00	EMBLEM (S)	1	
29	61458-99E70	LABEL, ENGINE COVER	1	
30	09800-81834	TOOL SET	1	

FIG.291

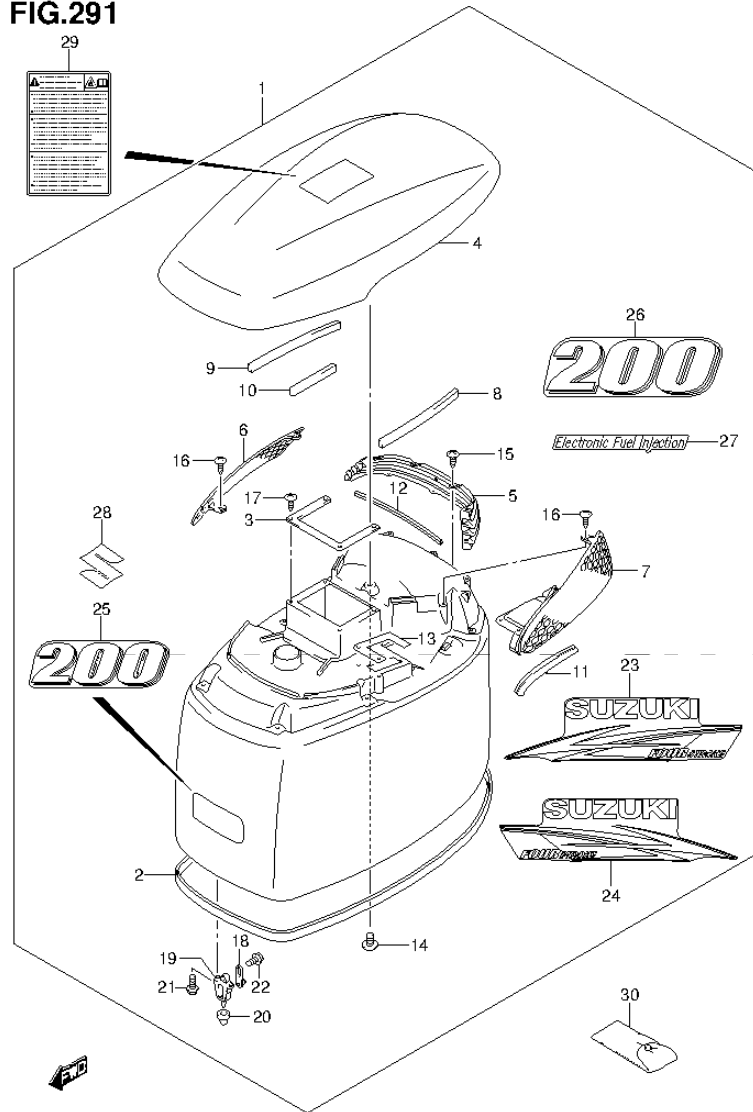


FIG.291 (3-K-5) ENGINE COVER (DF200Z E1)

REF NO.	PART NO.	DESCRIPTION	Q'TY	REMARKS
1	61420-93835-0EP	COVER SET, ENGINE (BLACK)	1	
2	61112-93J20	RUBBER, ENG COVER	1	
3	61416-93J00	GUARD, AIR INTAKE	1	
4	61431-93J03-0EP	HANDLE, TILT UP (BLACK)	1	
5	61432-93J00	LOUVER, TILT UP HANDLE	1	
6	61433-93J00	COVER, AIR INTK INNER STBD	1	
7	61434-93J00	COVER, AIR INTK INNER PORT	1	
8	61438-93J00	TAPE, TILT UP HANDLE (L:250)	1	
9	61438-93J00	TAPE, TILT UP HANDLE (L:250)	1	L:250->190
10	61438-93J00	TAPE, TILT UP HANDLE (L:250)	1	L:250->106
11	61439-93J20	SEAL, TILT UP HANDLE PORT	1	
12	61439-93J40	SEAL, TILT UP HANDLE RR	1	
13	61476-93J00	SEAL, AIR VENT	1	
14	03542-05169	SCREW	8	
15	03542-05169	SCREW	4	
16	03542-05169	SCREW	5	
17	03542-05169	SCREW	4	
18	61610-93J00	FASTENER	3	
19	61621-93J00	BRACKET, FASTENER	3	
20	09329-10022	CUSHION	3	
21	01547-06167	BOLT	6	
22	01550-06127	BOLT	3	
23	61443-93J32	STRIPE, ENGINE COVER STBD	1	
24	61453-93J32	STRIPE, ENGINE COVER PORT	1	
25	61422-93J52	MARK, EMBLEM FRONT (200)	1	
26	61435-93J32	MARK, EMBLEM REAR (200)	1	
27	61446-87L12	DECAL, EFI	1	
28	68111-96J00	EMBLEM (S)	1	
29	61458-99E70	LABEL, ENGINE COVER	1	
30	09800-81834	TOOL SET	1	

FIG.292

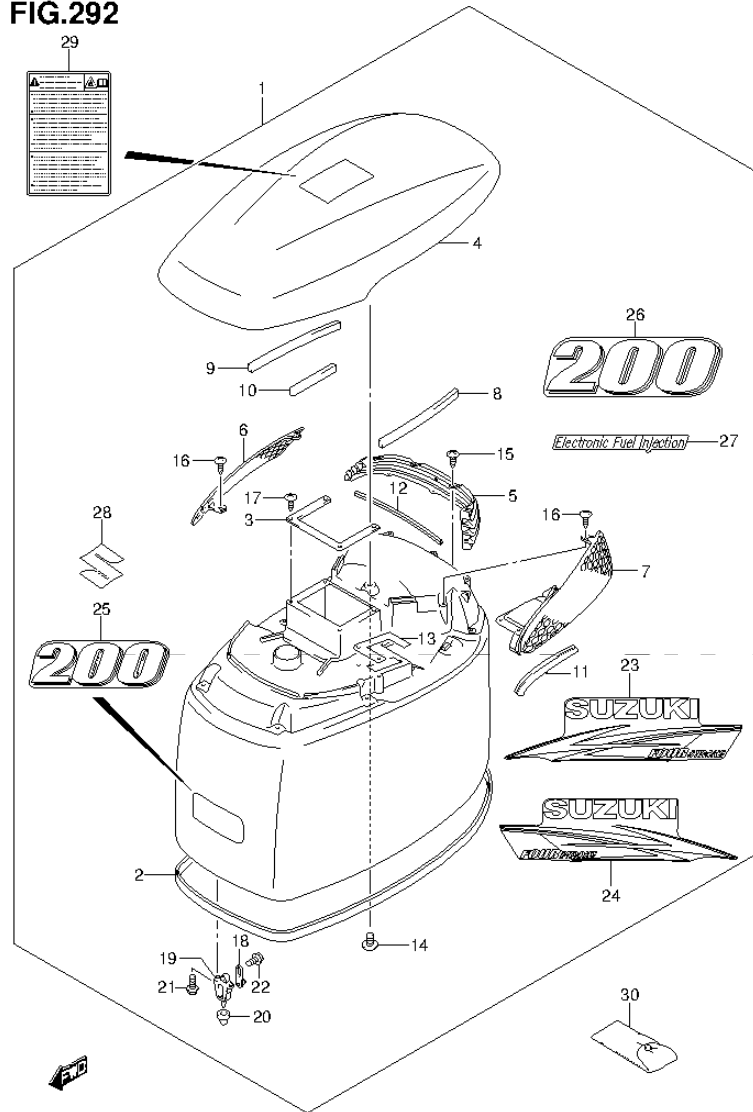


FIG.292 (3-K-6) ENGINE COVER (DF200Z E40)

REF NO.	PART NO.	DESCRIPTION	Q'TY	REMARKS
1	61420-93835-0EP	COVER SET, ENGINE (BLACK)	1	
2	61112-93J20	RUBBER, ENG COVER	1	
3	61416-93J00	GUARD, AIR INTAKE	1	
4	61431-93J03-0EP	HANDLE, TILT UP (BLACK)	1	
5	61432-93J00	LOUVER, TILT UP HANDLE	1	
6	61433-93J00	COVER, AIR INTK INNER STBD	1	
7	61434-93J00	COVER, AIR INTK INNER PORT	1	
8	61438-93J00	TAPE, TILT UP HANDLE (L:250)	1	
9	61438-93J00	TAPE, TILT UP HANDLE (L:250)	1	L:250->190
10	61438-93J00	TAPE, TILT UP HANDLE (L:250)	1	L:250->106
11	61439-93J20	SEAL, TILT UP HANDLE PORT	1	
12	61439-93J40	SEAL, TILT UP HANDLE RR	1	
13	61476-93J00	SEAL, AIR VENT	1	
14	03542-05169	SCREW	8	
15	03542-05169	SCREW	4	
16	03542-05169	SCREW	5	
17	03542-05169	SCREW	4	
18	61610-93J00	FASTENER	3	
19	61621-93J00	BRACKET, FASTENER	3	
20	09329-10022	CUSHION	3	
21	01547-06167	BOLT	6	
22	01550-06127	BOLT	3	
23	61443-93J32	STRIPE, ENGINE COVER STBD	1	
24	61453-93J32	STRIPE, ENGINE COVER PORT	1	
25	61422-93J52	MARK, EMBLEM FRONT (200)	1	
26	61435-93J32	MARK, EMBLEM REAR (200)	1	
27	61446-87L12	DECAL, EFI	1	
28	68111-96J00	EMBLEM (S)	1	
29	61458-99E70	LABEL, ENGINE COVER	1	
30	09800-81834	TOOL SET	1	

FIG.293

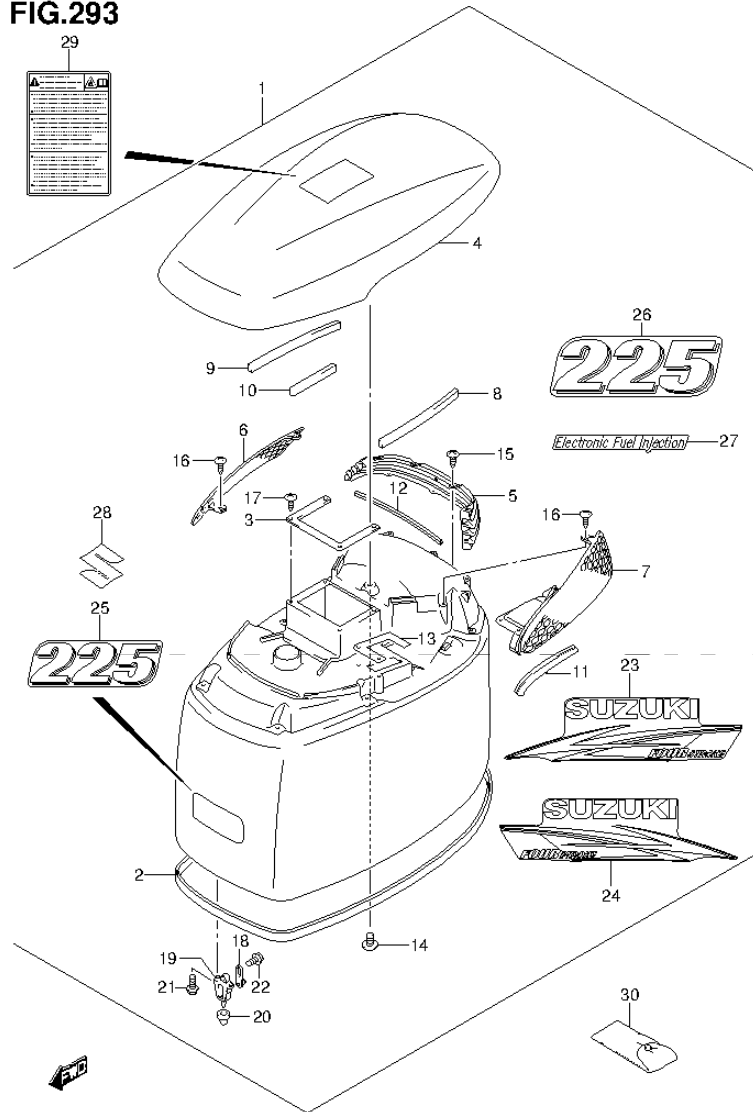


FIG.293 (3-K-7) ENGINE COVER (DF225T E1)

REF NO.	PART NO.	DESCRIPTION	Q'TY	REMARKS
1	61420-93845-0EP	COVER SET, ENGINE (BLACK)	1	
2	61112-93J20	RUBBER, ENG COVER	1	
3	61416-93J00	GUARD, AIR INTAKE	1	
4	61431-93J03-0EP	HANDLE, TILT UP (BLACK)	1	
5	61432-93J00	LOUVER, TILT UP HANDLE	1	
6	61433-93J00	COVER, AIR INTK INNER STBD	1	
7	61434-93J00	COVER, AIR INTK INNER PORT	1	
8	61438-93J00	TAPE, TILT UP HANDLE (L:250)	1	
9	61438-93J00	TAPE, TILT UP HANDLE (L:250)	1	L:250->190
10	61438-93J00	TAPE, TILT UP HANDLE (L:250)	1	L:250->106
11	61439-93J20	SEAL, TILT UP HANDLE PORT	1	
12	61439-93J40	SEAL, TILT UP HANDLE RR	1	
13	61476-93J00	SEAL, AIR VENT	1	
14	03542-05169	SCREW	8	
15	03542-05169	SCREW	4	
16	03542-05169	SCREW	5	
17	03542-05169	SCREW	4	
18	61610-93J00	FASTENER	3	
19	61621-93J00	BRACKET, FASTENER	3	
20	09329-10022	CUSHION	3	
21	01547-06167	BOLT	6	
22	01550-06127	BOLT	3	
23	61443-93J32	STRIPE, ENGINE COVER STBD	1	
24	61453-93J32	STRIPE, ENGINE COVER PORT	1	
25	61422-93J62	MARK, EMBLEM FRONT (225)	1	
26	61435-93J42	MARK, EMBLEM REAR (225)	1	
27	61446-87L12	DECAL, EFI	1	
28	68111-96J00	EMBLEM (S)	1	
29	61458-99E70	LABEL, ENGINE COVER	1	
30	09800-81834	TOOL SET	1	

FIG.294

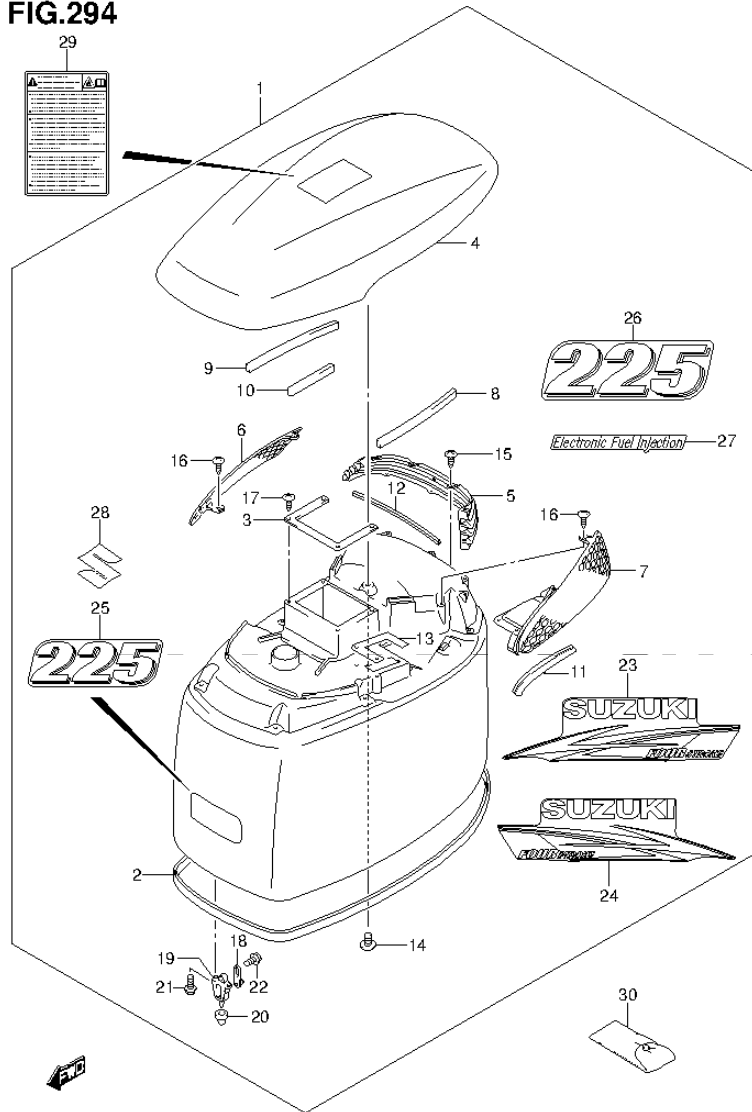


FIG.294 (3-K-8) ENGINE COVER (DF225T E40)

REF NO.	PART NO.	DESCRIPTION	Q'TY	REMARKS
1	61420-93845-0EP	COVER SET, ENGINE (BLACK)	1	
2	61112-93J20	RUBBER, ENG COVER	1	
3	61416-93J00	GUARD, AIR INTAKE	1	
4	61431-93J03-0EP	HANDLE, TILT UP (BLACK)	1	
5	61432-93J00	LOUVER, TILT UP HANDLE	1	
6	61433-93J00	COVER, AIR INTK INNER STBD	1	
7	61434-93J00	COVER, AIR INTK INNER PORT	1	
8	61438-93J00	TAPE, TILT UP HANDLE (L:250)	1	
9	61438-93J00	TAPE, TILT UP HANDLE (L:250)	1	L:250->190
10	61438-93J00	TAPE, TILT UP HANDLE (L:250)	1	L:250->106
11	61439-93J20	SEAL, TILT UP HANDLE PORT	1	
12	61439-93J40	SEAL, TILT UP HANDLE RR	1	
13	61476-93J00	SEAL, AIR VENT	1	
14	03542-05169	SCREW	8	
15	03542-05169	SCREW	4	
16	03542-05169	SCREW	5	
17	03542-05169	SCREW	4	
18	61610-93J00	FASTENER	3	
19	61621-93J00	BRACKET, FASTENER	3	
20	09329-10022	CUSHION	3	
21	01547-06167	BOLT	6	
22	01550-06127	BOLT	3	
23	61443-93J32	STRIPE, ENGINE COVER STBD	1	
24	61453-93J32	STRIPE, ENGINE COVER PORT	1	
25	61422-93J62	MARK, EMBLEM FRONT (225)	1	
26	61435-93J42	MARK, EMBLEM REAR (225)	1	
27	61446-87L12	DECAL, EFI	1	
28	68111-96J00	EMBLEM (S)	1	
29	61458-99E70	LABEL, ENGINE COVER	1	
30	09800-81834	TOOL SET	1	

FIG.295

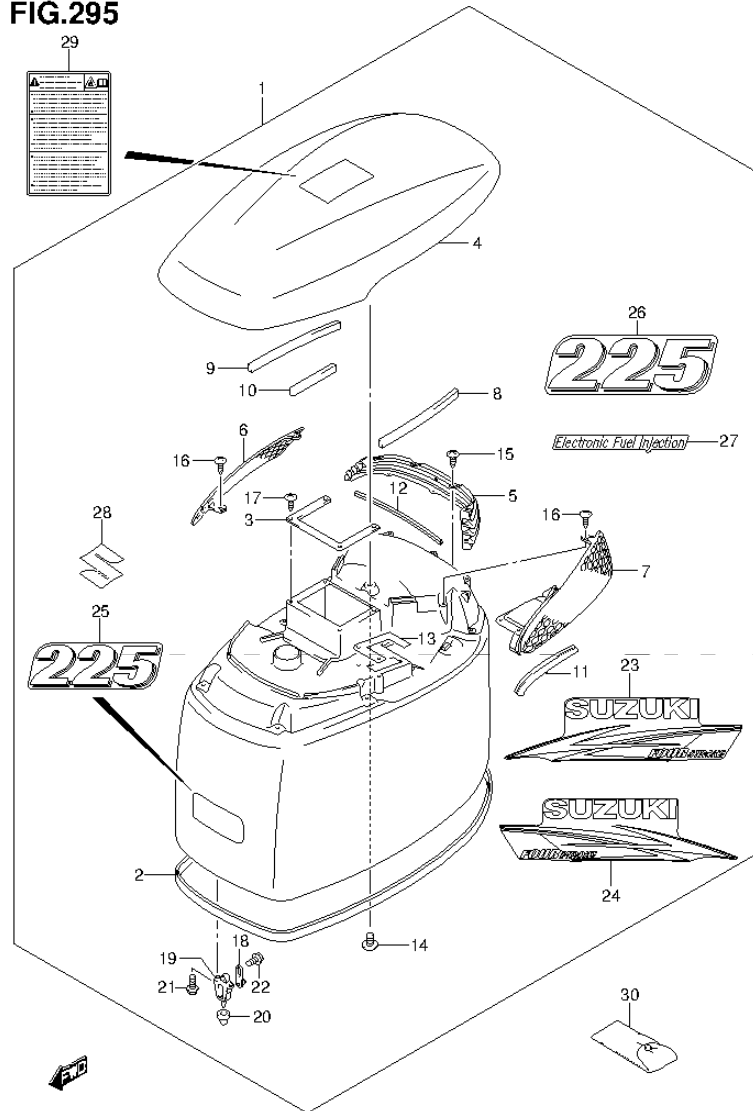


FIG.295 (3-K-9) ENGINE COVER (DF225Z E1)

REF NO.	PART NO.	DESCRIPTION	Q'TY	REMARKS
1	61420-93845-0EP	COVER SET, ENGINE (BLACK)	1	
2	61112-93J20	RUBBER, ENG COVER	1	
3	61416-93J00	GUARD, AIR INTAKE	1	
4	61431-93J03-0EP	HANDLE, TILT UP (BLACK)	1	
5	61432-93J00	LOUVER, TILT UP HANDLE	1	
6	61433-93J00	COVER, AIR INTK INNER STBD	1	
7	61434-93J00	COVER, AIR INTK INNER PORT	1	
8	61438-93J00	TAPE, TILT UP HANDLE (L:250)	1	
9	61438-93J00	TAPE, TILT UP HANDLE (L:250)	1	L:250->190
10	61438-93J00	TAPE, TILT UP HANDLE (L:250)	1	L:250->106
11	61439-93J20	SEAL, TILT UP HANDLE PORT	1	
12	61439-93J40	SEAL, TILT UP HANDLE RR	1	
13	61476-93J00	SEAL, AIR VENT	1	
14	03542-05169	SCREW	8	
15	03542-05169	SCREW	4	
16	03542-05169	SCREW	5	
17	03542-05169	SCREW	4	
18	61610-93J00	FASTENER	3	
19	61621-93J00	BRACKET, FASTENER	3	
20	09329-10022	CUSHION	3	
21	01547-06167	BOLT	6	
22	01550-06127	BOLT	3	
23	61443-93J32	STRIPE, ENGINE COVER STBD	1	
24	61453-93J32	STRIPE, ENGINE COVER PORT	1	
25	61422-93J62	MARK, EMBLEM FRONT (225)	1	
26	61435-93J42	MARK, EMBLEM REAR (225)	1	
27	61446-87L12	DECAL, EFI	1	
28	68111-96J00	EMBLEM (S)	1	
29	61458-99E70	LABEL, ENGINE COVER	1	
30	09800-81834	TOOL SET	1	

FIG.297

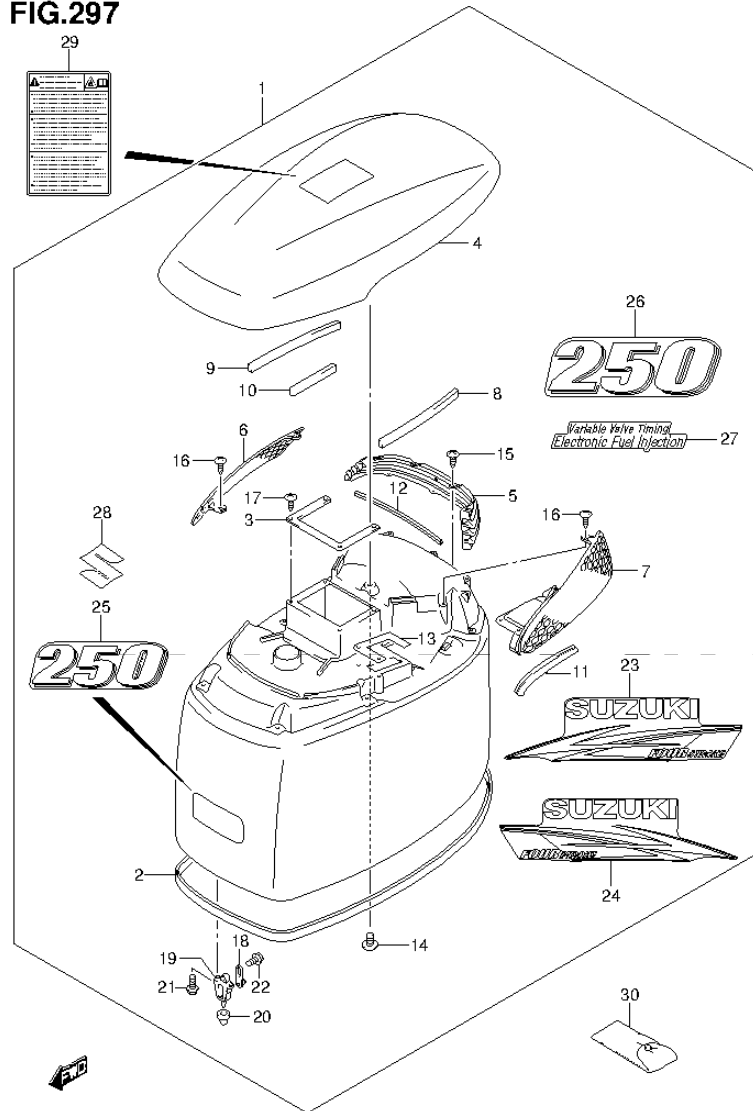


FIG.297 (3-K-11) ENGINE COVER (DF250T E1)

REF NO.	PART NO.	DESCRIPTION	Q'TY	REMARKS
1	61420-93854-0EP	COVER SET, ENGINE (BLACK)	1	
2	61112-93J20	RUBBER, ENG COVER	1	
3	61416-93J00	GUARD, AIR INTAKE	1	
4	61431-93J03-0EP	HANDLE, TILT UP (BLACK)	1	
5	61432-93J00	LOUVER, TILT UP HANDLE	1	
6	61433-93J00	COVER, AIR INTK INNER STBD	1	
7	61434-93J00	COVER, AIR INTK INNER PORT	1	
8	61438-93J00	TAPE, TILT UP HANDLE (L:250)	1	
9	61438-93J00	TAPE, TILT UP HANDLE (L:250)	1	L:250->190
10	61438-93J00	TAPE, TILT UP HANDLE (L:250)	1	L:250->106
11	61439-93J20	SEAL, TILT UP HANDLE PORT	1	
12	61439-93J40	SEAL, TILT UP HANDLE RR	1	
13	61476-93J00	SEAL, AIR VENT	1	
14	03542-05169	SCREW	8	
15	03542-05169	SCREW	4	
16	03542-05169	SCREW	5	
17	03542-05169	SCREW	4	
18	61610-93J00	FASTENER	3	
19	61621-93J00	BRACKET, FASTENER	3	
20	09329-10022	CUSHION	3	
21	01547-06167	BOLT	6	
22	01550-06127	BOLT	3	
23	61443-93J32	STRIPE, ENGINE COVER STBD	1	
24	61453-93J32	STRIPE, ENGINE COVER PORT	1	
25	61422-93J72	MARK, EMBLEM FRONT (250)	1	
26	61435-93J52	MARK, EMBLEM REAR (250)	1	
27	61446-93J32	DECAL, EFI & VVT	1	
28	68111-96J00	EMBLEM (S)	1	
29	61458-99E70	LABEL, ENGINE COVER	1	
30	09800-81834	TOOL SET	1	

FIG.298

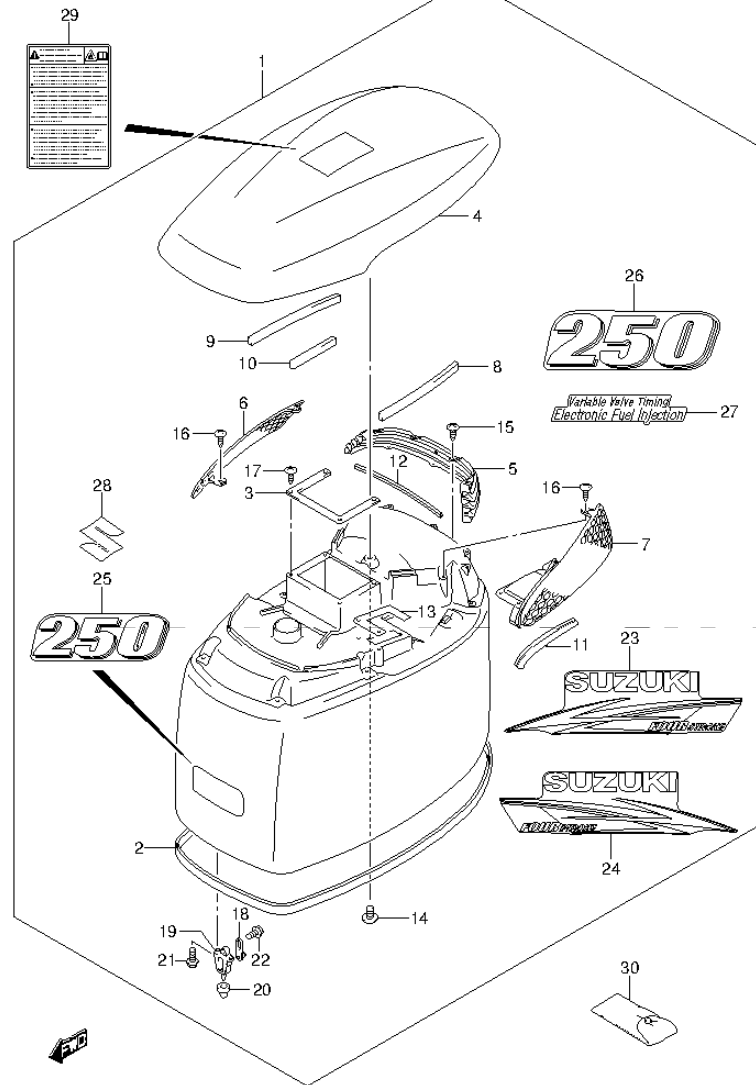


FIG.298 (3-K-12) ENGINE COVER (DF250T E40)

REF NO.	PART NO.	DESCRIPTION	Q'TY	REMARKS
1	61420-93854-0EP	COVER SET, ENGINE (BLACK)	1	
2	61112-93J20	RUBBER, ENG COVER	1	
3	61416-93J00	GUARD, AIR INTAKE	1	
4	61431-93J03-0EP	HANDLE, TILT UP (BLACK)	1	
5	61432-93J00	LOUVER, TILT UP HANDLE	1	
6	61433-93J00	COVER, AIR INTK INNER STBD	1	
7	61434-93J00	COVER, AIR INTK INNER PORT	1	
8	61438-93J00	TAPE, TILT UP HANDLE (L:250)	1	
9	61438-93J00	TAPE, TILT UP HANDLE (L:250)	1	L:250->190
10	61438-93J00	TAPE, TILT UP HANDLE (L:250)	1	L:250->106
11	61439-93J20	SEAL, TILT UP HANDLE PORT	1	
12	61439-93J40	SEAL, TILT UP HANDLE RR	1	
13	61476-93J00	SEAL, AIR VENT	1	
14	03542-05169	SCREW	8	
15	03542-05169	SCREW	4	
16	03542-05169	SCREW	5	
17	03542-05169	SCREW	4	
18	61610-93J00	FASTENER	3	
19	61621-93J00	BRACKET, FASTENER	3	
20	09329-10022	CUSHION	3	
21	01547-06167	BOLT	6	
22	01550-06127	BOLT	3	
23	61443-93J32	STRIPE, ENGINE COVER STBD	1	
24	61453-93J32	STRIPE, ENGINE COVER PORT	1	
25	61422-93J72	MARK, EMBLEM FRONT (250)	1	
26	61435-93J52	MARK, EMBLEM REAR (250)	1	
27	61446-93J32	DECAL, EFI & VVT	1	
28	68111-96J00	EMBLEM (S)	1	
29	61458-99E70	LABEL, ENGINE COVER	1	
30	09800-81834	TOOL SET	1	

FIG.299

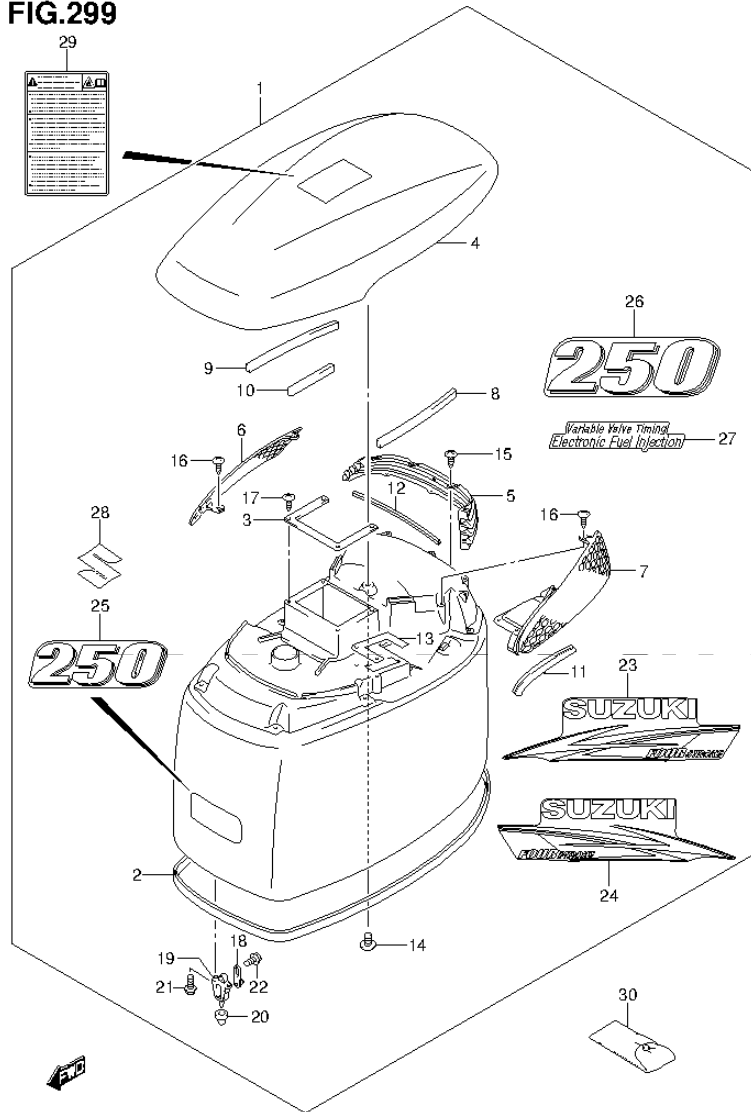


FIG.299 (3-K-13) ENGINE COVER (DF250Z E1)

REF NO.	PART NO.	DESCRIPTION	Q'TY	REMARKS
1	61420-93854-0EP	COVER SET, ENGINE (BLACK)	1	
2	61112-93J20	RUBBER, ENG COVER	1	
3	61416-93J00	GUARD, AIR INTAKE	1	
4	61431-93J03-0EP	HANDLE, TILT UP (BLACK)	1	
5	61432-93J00	LOUVER, TILT UP HANDLE	1	
6	61433-93J00	COVER, AIR INTK INNER STBD	1	
7	61434-93J00	COVER, AIR INTK INNER PORT	1	
8	61438-93J00	TAPE, TILT UP HANDLE (L:250)	1	
9	61438-93J00	TAPE, TILT UP HANDLE (L:250)	1	L:250->190
10	61438-93J00	TAPE, TILT UP HANDLE (L:250)	1	L:250->106
11	61439-93J20	SEAL, TILT UP HANDLE PORT	1	
12	61439-93J40	SEAL, TILT UP HANDLE RR	1	
13	61476-93J00	SEAL, AIR VENT	1	
14	03542-05169	SCREW	8	
15	03542-05169	SCREW	4	
16	03542-05169	SCREW	5	
17	03542-05169	SCREW	4	
18	61610-93J00	FASTENER	3	
19	61621-93J00	BRACKET, FASTENER	3	
20	09329-10022	CUSHION	3	
21	01547-06167	BOLT	6	
22	01550-06127	BOLT	3	
23	61443-93J32	STRIPE, ENGINE COVER STBD	1	
24	61453-93J32	STRIPE, ENGINE COVER PORT	1	
25	61422-93J72	MARK, EMBLEM FRONT (250)	1	
26	61435-93J52	MARK, EMBLEM REAR (250)	1	
27	61446-93J32	DECAL, EFI & VVT	1	
28	68111-96J00	EMBLEM (S)	1	
29	61458-99E70	LABEL, ENGINE COVER	1	
30	09800-81834	TOOL SET	1	

FIG.300

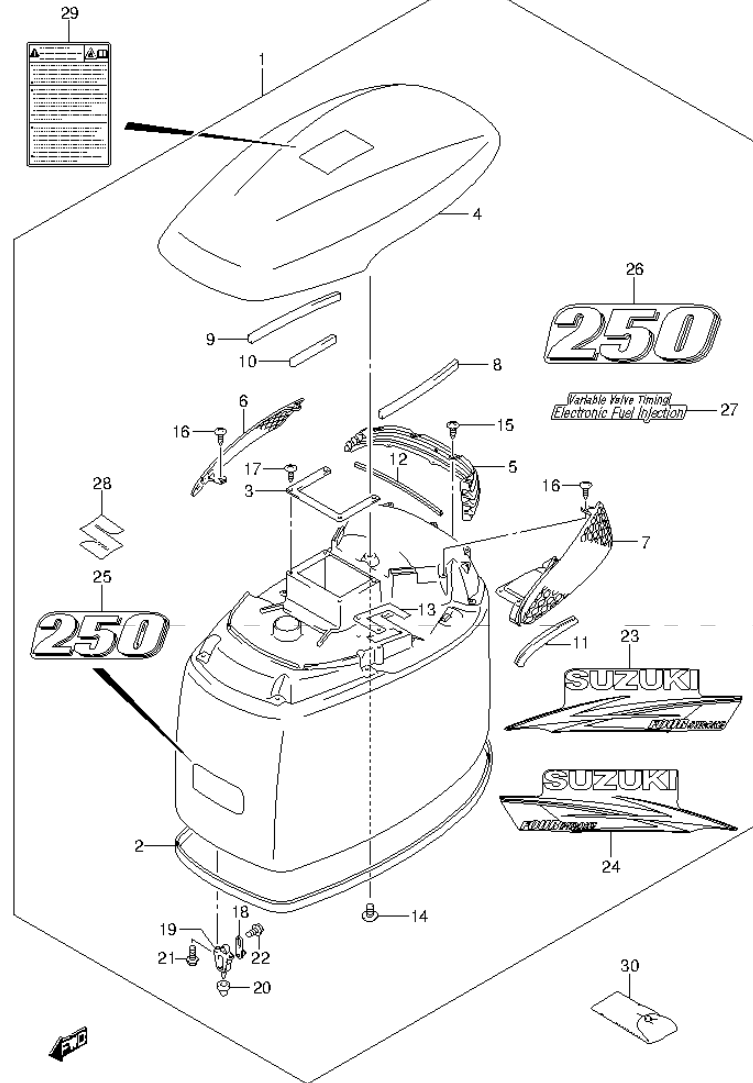


FIG.300 (3-K-14) ENGINE COVER (DF250Z E40)

REF NO.	PART NO.	DESCRIPTION	Q'TY	REMARKS
1	61420-93854-0EP	COVER SET, ENGINE (BLACK)	1	
2	61112-93J20	RUBBER, ENG COVER	1	
3	61416-93J00	GUARD, AIR INTAKE	1	
4	61431-93J03-0EP	HANDLE, TILT UP (BLACK)	1	
5	61432-93J00	LOUVER, TILT UP HANDLE	1	
6	61433-93J00	COVER, AIR INTK INNER STBD	1	
7	61434-93J00	COVER, AIR INTK INNER PORT	1	
8	61438-93J00	TAPE, TILT UP HANDLE (L:250)	1	
9	61438-93J00	TAPE, TILT UP HANDLE (L:250)	1	L:250->190
10	61438-93J00	TAPE, TILT UP HANDLE (L:250)	1	L:250->106
11	61439-93J20	SEAL, TILT UP HANDLE PORT	1	
12	61439-93J40	SEAL, TILT UP HANDLE RR	1	
13	61476-93J00	SEAL, AIR VENT	1	
14	03542-05169	SCREW	8	
15	03542-05169	SCREW	4	
16	03542-05169	SCREW	5	
17	03542-05169	SCREW	4	
18	61610-93J00	FASTENER	3	
19	61621-93J00	BRACKET, FASTENER	3	
20	09329-10022	CUSHION	3	
21	01547-06167	BOLT	6	
22	01550-06127	BOLT	3	
23	61443-93J32	STRIPE, ENGINE COVER STBD	1	
24	61453-93J32	STRIPE, ENGINE COVER PORT	1	
25	61422-93J72	MARK, EMBLEM FRONT (250)	1	
26	61435-93J52	MARK, EMBLEM REAR (250)	1	
27	61446-93J32	DECAL, EFI & VVT	1	
28	68111-96J00	EMBLEM (S)	1	
29	61458-99E70	LABEL, ENGINE COVER	1	
30	09800-81834	TOOL SET	1	

FIG.301

FIG.301 (3-K-15) FUEL HOSE

REF NO.	PART NO.	DESCRIPTION	Q'TY	REMARKS
1	09251-09002	CAP	1	
2	09367-10001	JOINT	1	
3	09401-13423	CLIP	1	
4	65700-93J01	HOSE, FUEL (TANK TO ENGINE)	1	
5	65770-93J10	PUMP, SQUEEZE	1	
6	09401-13423	CLIP	1	

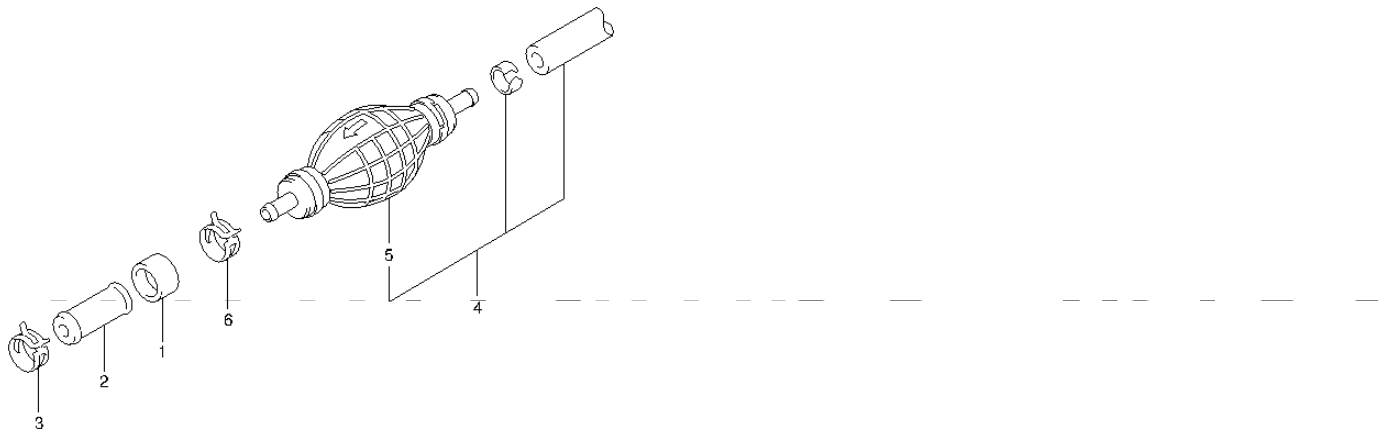


FIG.302

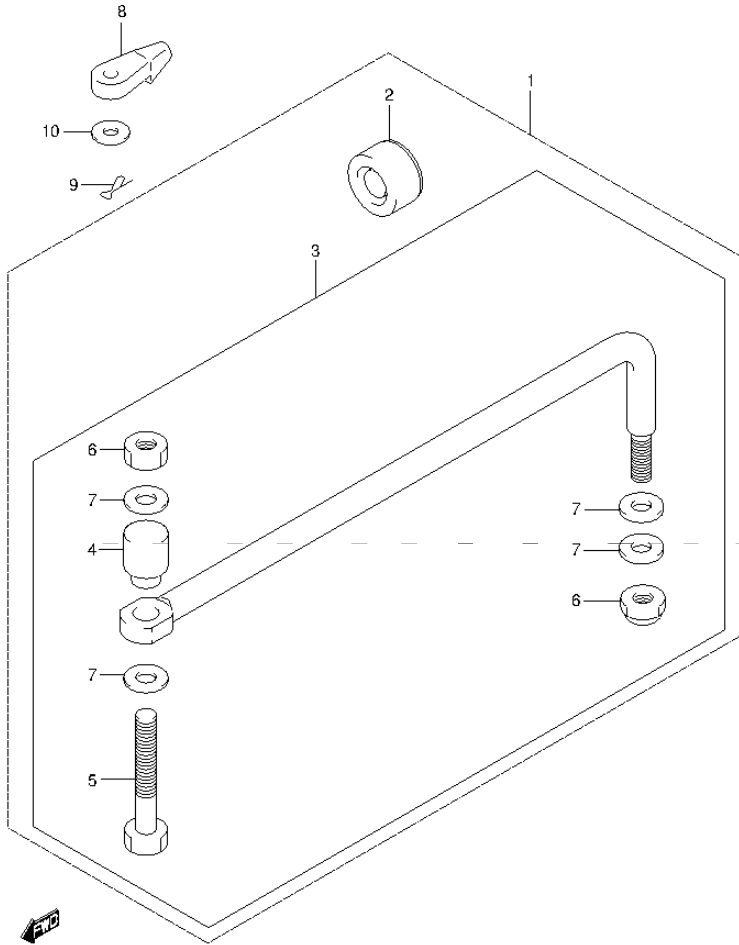


FIG.302 (3-L-2) DRAG LINK

REF NO.	PART NO.	DESCRIPTION	Q'TY	REMARKS
1	67700-93J00	LINK SET, DRAG	1	OPT
2	41161-94400	SEAL, STEERING CABLE	1	OPT
3	67701-87J11	LINK ASSY, DRAG	1	OPT
4	67721-87J00	SPACER	1	OPT
5	67725-99E00	BOLT, DRAG LINK	1	OPT
6	67726-99E00	NUT	2	OPT
7	67728-99E00	WASHER	4	OPT
8	67467-89J01	CONNECTOR, REMOCON CABLE	2	
9	09385-06012	CLIP	2	
10	09160-06055	WASHER (7X12X1)	2	

FIG.303

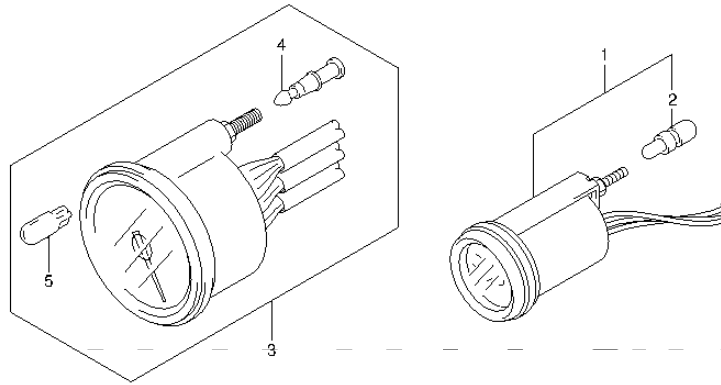


FIG.303 (3-L-3) METER

REF NO.	PART NO.	DESCRIPTION	Q'TY	REMARKS
1-1	34800-93J00	METER ASSY, TRIM	1	BLACK
1-2	34800-93J11	METER ASSY, TRIM	1	WHITE
2	09471-12103	BULB (12V, 3.4W)	1	
3-1	34200-93J00	TACHOMETER ASSY, WITH MONITOR	1	BLACK
3-2	34200-93J11	TACHOMETER ASSY, WITH MONITOR	1	WHITE
4	36615-96300	TERMINAL, RESIN	4	
5	09471-12077	BULB (12V, 1.7W)	1	

FIG.304

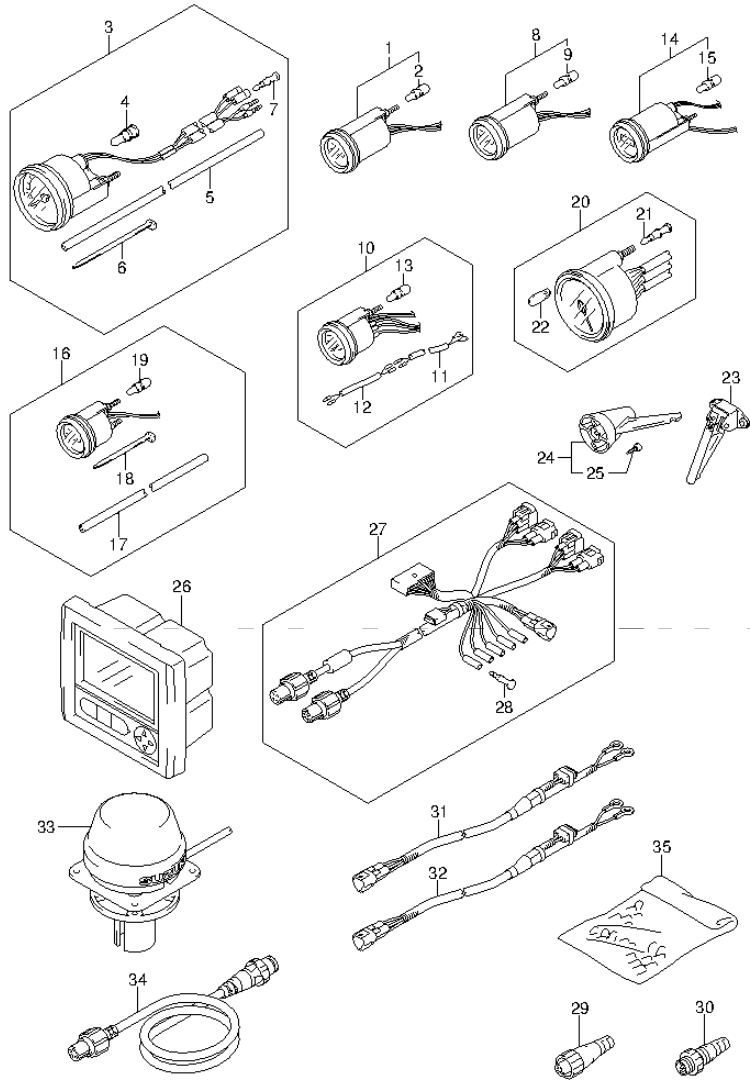


FIG.304 (3-L-4) OPT:METER

REF NO.	PART NO.	DESCRIPTION	Q'TY	REMARKS
1-1	34800-93J00	METER ASSY, TRIM	1	BLACK
1-2	34800-93J11	METER ASSY, TRIM	1	WHITE
2	09471-12103	BULB (12V, 3.4W)	1	
3-1	34100-93J00	SPEEDOMETER ASSY	1	MAX 130KM/H BLACK
3-2	34100-93J11	SPEEDOMETER ASSY	1	MAX 130KM/H WHITE
3-3	34100-93J20	SPEEDOMETER ASSY	1	MAX 80KM/H BLACK
3-4	34100-93J31	SPEEDOMETER ASSY	1	MAX 80KM/H WHITE
3-5	34100-93J40	SPEEDOMETER ASSY	1	MAX 45KNOTS BLACK
3-6	34100-93J51	SPEEDOMETER ASSY	1	MAX 45KNOTS WHITE
3-7	34100-93J60	SPEEDOMETER ASSY	1	MAX 65KNOTS WHITE
4	09471-12028	BULB (12V, 3.4W)	1	
5	34191-92E00	TUBE	1	
6	09407-14407	CLAMP (L:145)	2	
7	36615-96300	TERMINAL, RESIN	2	
8-1	34600-93J00	METER ASSY, VOLTAGE	1	BLACK
8-2	34600-93J11	METER ASSY, VOLTAGE	1	WHITE
9	09471-12103	BULB (12V, 3.4W)	1	
10-1	34300-93J00	GAUGE ASSY, FUEL	1	BLACK
10-2	34300-93J11	GAUGE ASSY, FUEL	1	WHITE
11	34310-92E00	LEAD, FUEL GAUGE	1	
12	34360-92E00	ADAPTER, FUEL GAUGE	1	
13	09471-12103	BULB (12V, 3.4W)	1	
14-1	34500-93J00	METER ASSY, HOUR	1	BLACK
14-2	34500-93J11	METER ASSY, HOUR	1	WHITE
15	09471-12103	BULB (12V, 3.4W)	1	
16-1	34650-93J20	GAUGE ASSY, WATER PRESSURE	1	15PSI BLACK
16-2	34650-93J31	GAUGE ASSY, WATER PRESSURE	1	15PSI WHITE
17	34191-92E00	TUBE	1	
18	09407-14407	CLAMP (L:145)	2	
19	09471-12103	BULB (12V, 3.4W)	1	
20-1	34200-93J00	TACHOMETER ASSY, WITH MONITOR	1	BLACK
20-2	34200-93J11	TACHOMETER ASSY, WITH MONITOR	1	WHITE
21	36615-96300	TERMINAL, RESIN	4	
22	09471-12077	BULB (12V, 1.7W)	1	

FIG.304

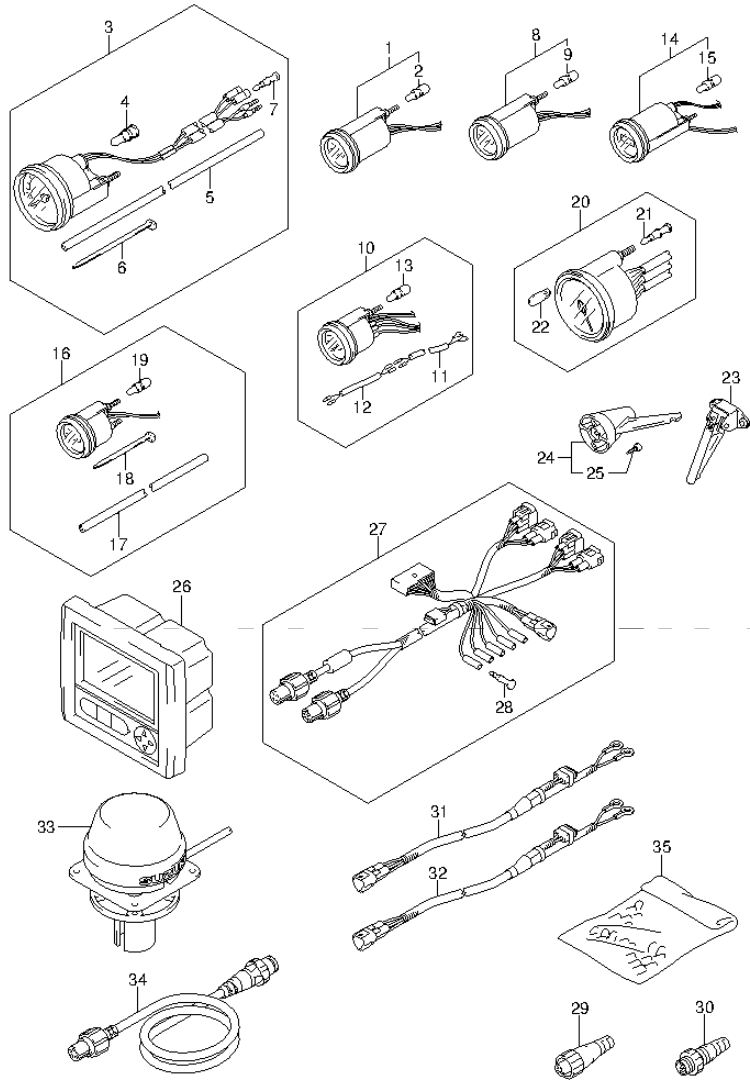


FIG.304 (3-L-5) OPT:METER

REF NO.	PART NO.	DESCRIPTION	Q'TY	REMARKS
23	34190-87D00	SENDER ASSY, SPEEDOMETER	1	
24	34190-95500	SENDER ASSY, SPEEDOMETER	1	
25	03112-06303	SCREW	2	
26	34200-87L10	GAUGE ASSY, MULTI	1	
27	36661-87L00	ADAPTER, GAUGE	1	
28	36615-96300	TERMINAL, RESIN	5	
29	36665-88L00	UNIT, RESISTOR FEMALE	1	
30	36665-88L10	UNIT, RESISTOR MALE	1	
31	36663-98J00	WIRE, GAUGE POWER	1	
32	36663-98J10	WIRE, GAUGE POWER	1	
33	39950-87L00	MODULE ASSY, GPS RECEIVER	1	
34	36666-87L00	WIRE, NETWORK	1	
35	36990-87D00	TERMINAL SET, WITH SLEEVE	1	

FIG.305

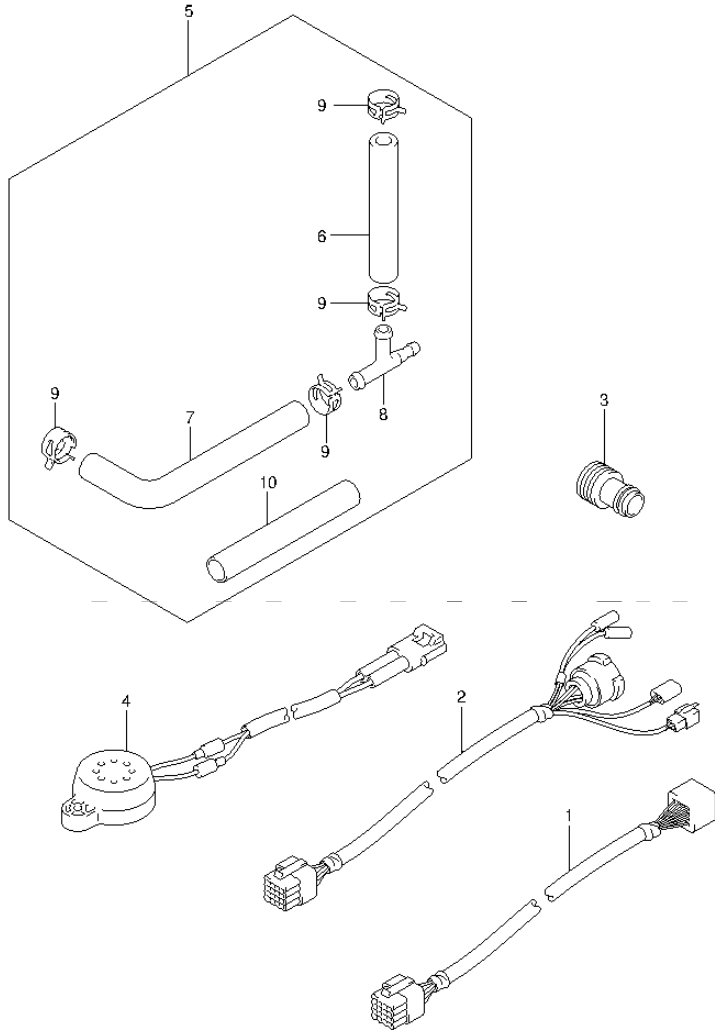


FIG.305 (3-L-6) OPT:HARNESS

REF NO.	PART NO.	DESCRIPTION	Q'TY	REMARKS
1-1	36620-93J10	WIRE ASSY, REMOCON EXTENSION	1	L:2000
1-2	36620-93J40	WIRE ASSY, REMOCON EXTENSION	1	L:3000
2	36620-93J30	WIRE ASSY, REMOCON ADAPTER NO.2	1	
3	17917-87L00	CONNECTOR, FLUSH WATER	1	
4	38500-93J00	BUZZER ASSY, WARNING	1	
5	34660-93J00	KIT, WATER PRESS GAUGE	1	
6	09352-50903-600	HOSE (5X9X600)	1	L:600->110
7	09352-50903-00B	HOSE (5X9X2000)	1	L:2000->750
8	09367-06006	3 WAY	1	
9	09401-08413	CLIP	4	
10	18498-87JC0	PROTECTOR	1	L:450->390

FIG.306

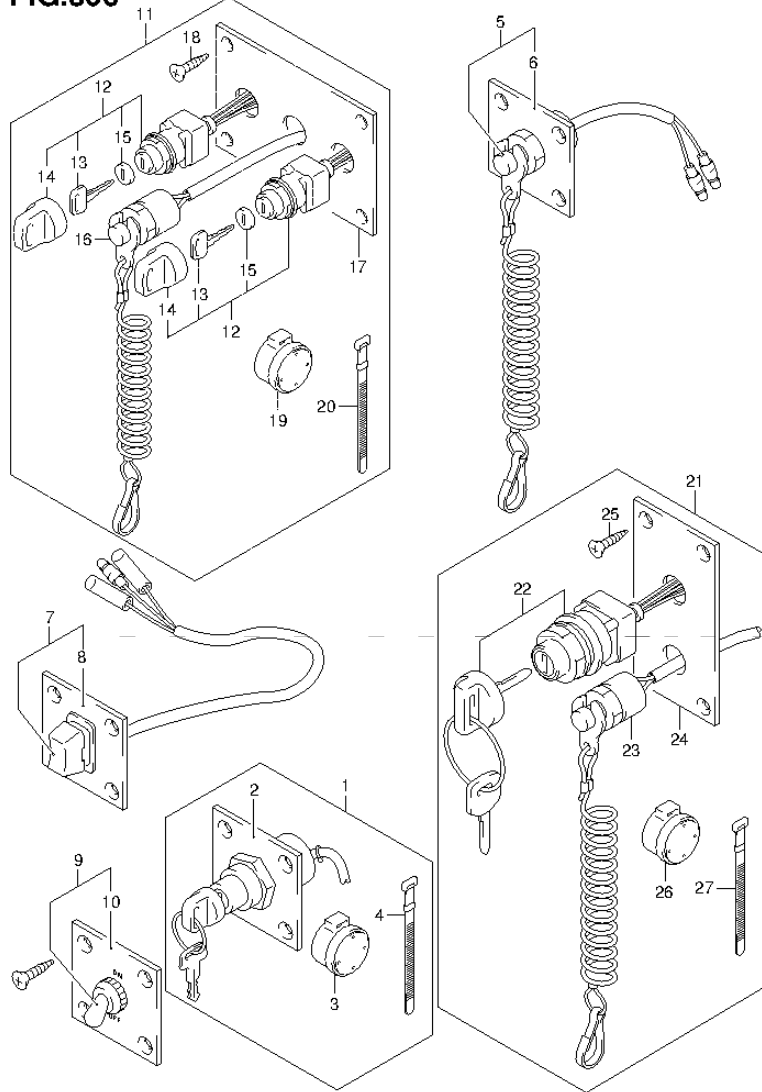


FIG.306 (3-L-7) OPT:SWITCH

REF NO.	PART NO.	DESCRIPTION	Q'TY	REMARKS
1	37100-96J00	PANEL ASSY, IGNITION SW	1	
2	37139-99E00	PANEL, IGNITION SW	1	
3	38500-93J90	BUZZER ASSY, WARNING	1	
4	09407-08401	CLAMP (L:80)	1	
5	37803-93J03	PANEL ASSY, EMERGENCY SW	1	
6	37825-99E00	PANEL, EMERGENCY SW	1	
7	37805-93J00	PANEL ASSY, PTT SW	1	
8	37855-99E00	PANEL, PTT SW	1	
9	37210-93J00	PANEL ASSY, LIGHTING SW	1	
10	37212-93J00	PANEL, LIGHTING SW	1	
11	37100-96J13	PANEL ASSY, DUAL ENGINE SW	1	
12	37110-93J00	SWITCH ASSY, IGNITION	2	
13-1	37141-99E00	KEY (931)	4	
13-2	37141-99E10	KEY (932)	4	
13-3	37141-99E20	KEY (933)	4	
13-4	37141-99E30	KEY (934)	4	
13-5	37141-99E40	KEY (935)	4	
13-6	37141-99E50	KEY (936)	4	
13-7	37141-99E60	KEY (937)	4	
13-8	37141-99E70	KEY (938)	4	
13-9	37141-99E80	KEY (939)	4	
13-10	37141-99E90	KEY (940)	4	
13-11	37141-99EA0	KEY (941)	4	
13-12	37141-99EB0	KEY (942)	4	
14	37143-99E00	CAP, KEY	2	
15	37149-93J00	CAP CYLINDER BODY	2	
16	37820-93J93	SWITCH ASSY, EMERGENCY	1	
17	37139-99E10	PANEL	1	
18	03121-0516A	SCREW	4	
19	38500-93J90	BUZZER ASSY, WARNING	1	
20	09407-08401	CLAMP (L:80)	1	
21	37100-96J23	PANEL ASSY, ENGINE SW	1	
22	37110-93J00	SWITCH ASSY, IGNITION	1	
23	37820-93J03	SWITCH ASSY, EMERGENCY	1	

FIG.306

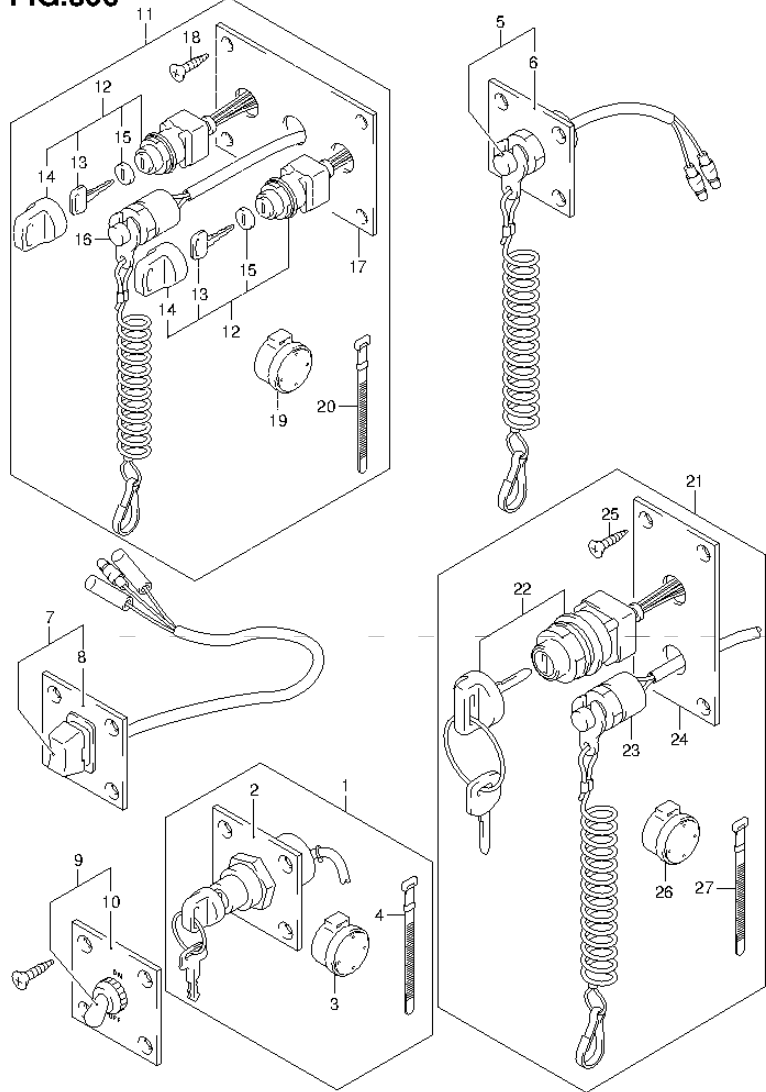


FIG.306 (3-L-8) OPT:SWITCH

REF NO.	PART NO.	DESCRIPTION	Q'TY	REMARKS
24	37139-99E20	PANEL	1	
25	03121-0516A	SCREW	4	
26	38500-93J90	BUZZER ASSY, WARNING	1	
27	09407-08401	CLAMP (L:80)	1	

FIG.307

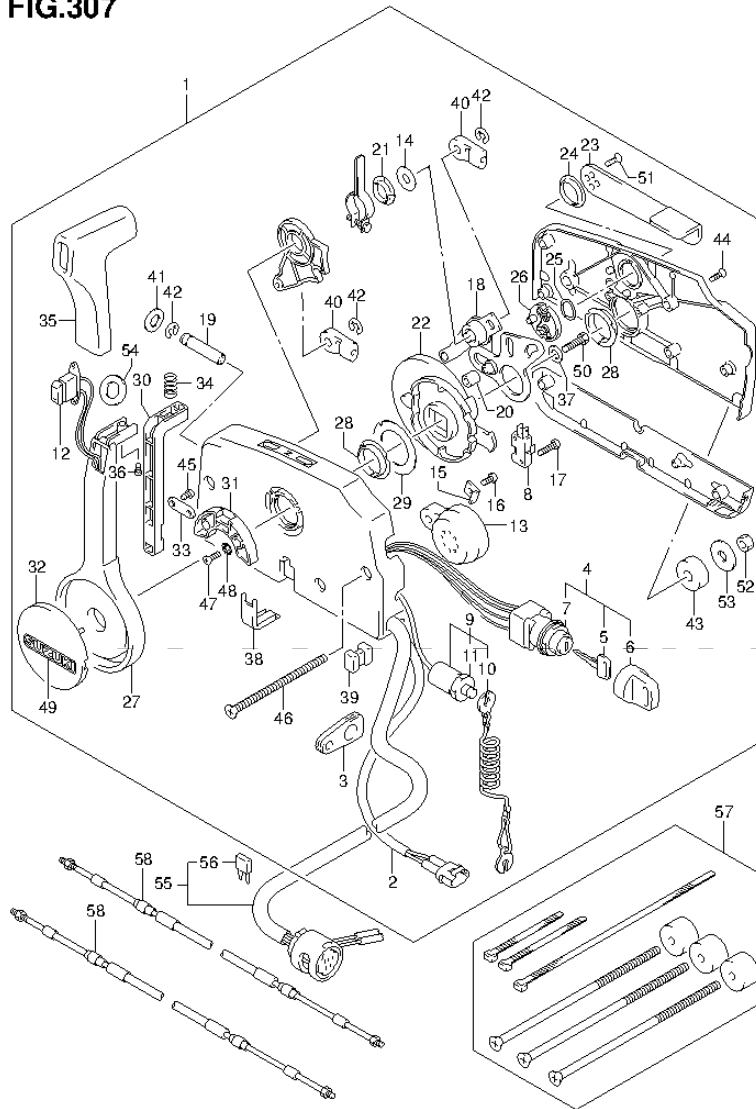
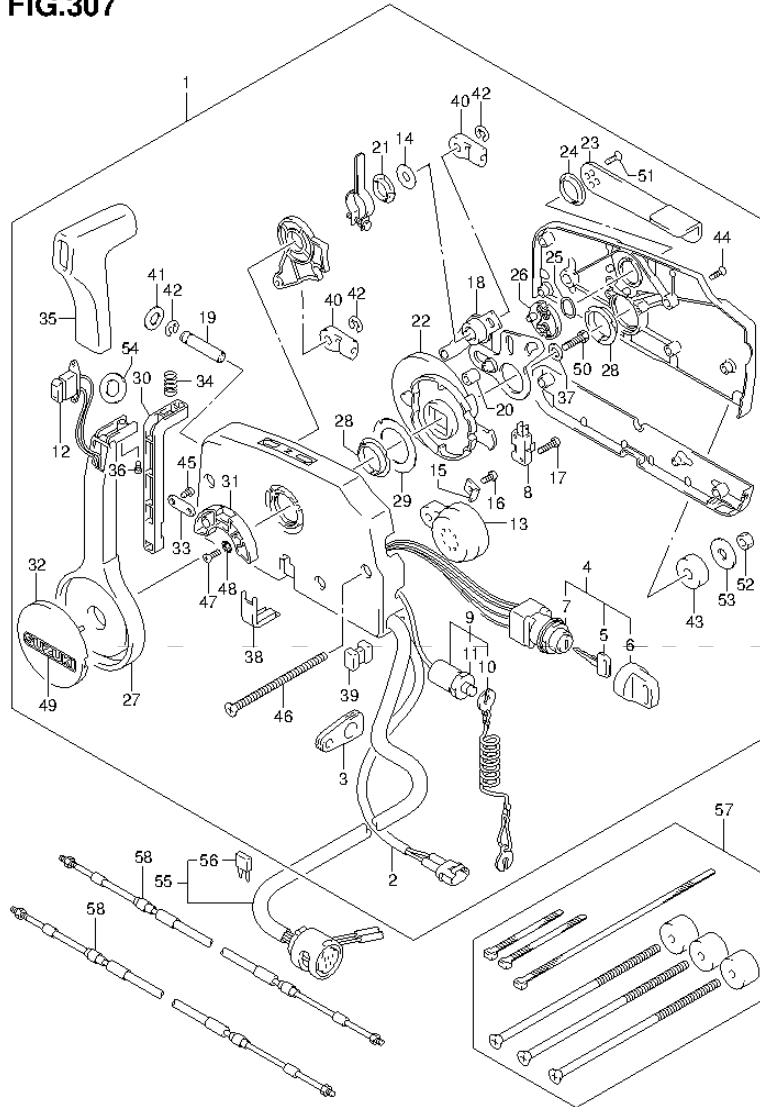


FIG.307 (3-L-10) OPT:REMOTE CONTROL

REF NO.	PART NO.	DESCRIPTION	Q'TY	REMARKS
24	67243-95600	BUSH	1	
25	67244-95600	WASHER, WAVE	1	
26	67245-95600	DRUM, FREE THROTTLE	1	
27	67251-99E10	LEVER, HANDLE	1	
28	67252-95600	BUSH	2	
29	67253-95600	WASHER	1	
30	67255-99E00	ARM, LOCK	1	
31	67256-95600	HOLDER, NEUT LOCK	1	
32	67257-99E00	CAP, LEVER	1	
33	67258-99E00	BRACKET, LOCK ARM	1	
34	67259-87D00	SPRING, NEUTRAL ARM	1	
35	67261-99E00	GRIP	1	
36	67296-94310	SCREW	1	
37	67264-95600	WASHER	1	
38	67267-93J00	COVER, WIRE	1	
39	67273-95600	SPACER	1	
40	67275-95600	END, CABLE	2	
41	67288-92E00	WASHER, BRAKE ADJ KNOB	1	
42	67292-94300	E RING	3	
43	67294-95600	SPACER	3	
44	67296-90J00	SCREW	5	
45	67296-94300	SCREW	2	
46	67296-95600	SCREW	3	
47	67296-95610	SCREW	2	
48	67297-95600	WASHER	2	
49	68165-16B00-13L	EMBLEM (SILVER)	1	
50	09100-08232	BOLT (8X30)	1	
51	09126-05003	SCREW (5X12)	2	
52	09140-06020	NUT	3	
53	09160-06104	WASHER (6.5X24X2)	3	
54	37859-90J00	SPACER	1	
55-1	36620-93J02	WIRE ASSY, REMOTE CONTROL	1	L:5000
55-2	36620-93J52	WIRE ASSY, REMOTE CONTROL	1	L:3500
55-3	36620-93J62	WIRE ASSY, REMOTE CONTROL	1	L:6500

FIG.307



DF250_E01_013_307
OPT:REMOTE CONTROL

FIG.307 (3-L-11) OPT:REMOTE CONTROL

REF NO.	PART NO.	DESCRIPTION	Q'TY	REMARKS
56	09481-10501	FUSE (10A)	1	
57	67140-95600	ATTACHMENT, TWIN REMOCON KIT	1	
58-1	67320-93J00	CABLE, REMOCON 8F (2.4M)	2	
58-2	67320-93J10	CABLE, REMOCON 10F (3.1M)	2	
58-3	67320-93J20	CABLE, REMOCON 12F (3.7M)	2	
58-4	67320-93J30	CABLE, REMOCON 14F (4.2M)	2	
58-5	67320-93J40	CABLE, REMOCON 16F (4.8M)	2	
58-6	67320-93J50	CABLE, REMOCON 18F (5.4M)	2	
58-7	67320-93J60	CABLE, REMOCON 20F (6.0M)	2	
58-8	67320-93J70	CABLE, REMOCON 22F (6.7M)	2	
58-9	67320-93J80	CABLE, REMOCON 24F (7.3M)	2	

DF250_E01_013

FIG.308

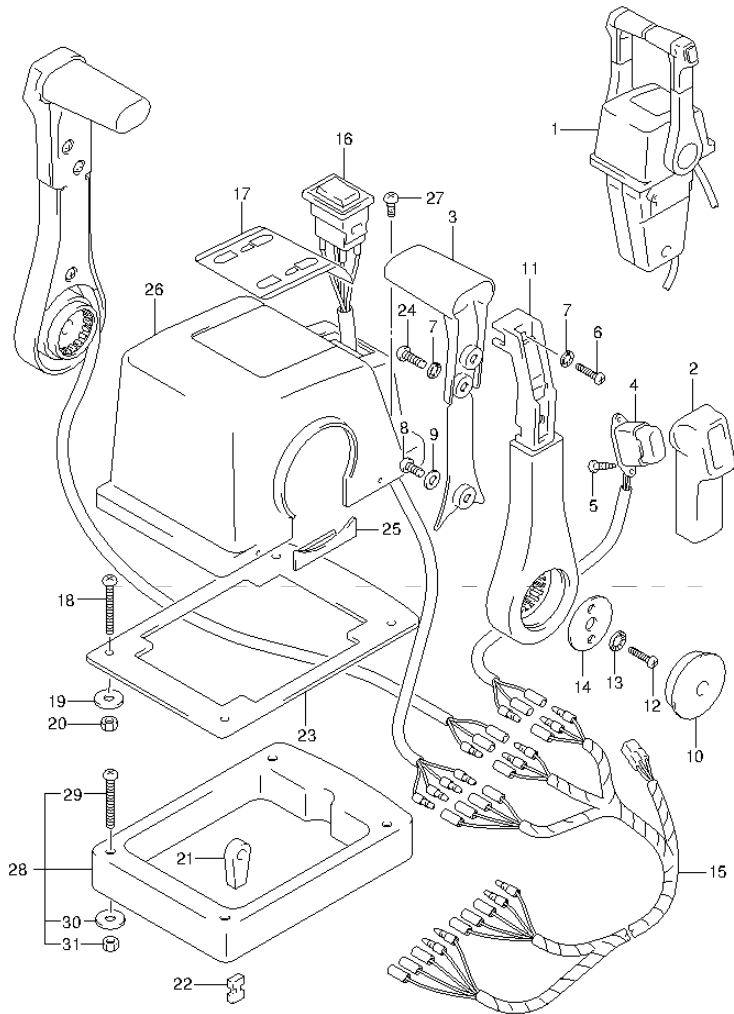


FIG.308 (3-L-12) OPT:TOP MOUNT DUAL (1)

REF NO.	PART NO.	DESCRIPTION	Q'TY	REMARKS
1	67200-93J23	REMOTE CONTROL ASSY	1	
2	67261-93J00	GRIP, NO.1	2	
3	67263-93J00	GRIP, NO.2	2	
4	37850-93J10	SWITCH ASSY, PTT	2	
5	67295-92E10	SCREW	4	
6	67296-88D10	SCREW	2	
7	67288-92E20	WASHER	6	
8	67296-92E70	SCREW	2	
9	67288-92E40	WASHER	2	
10	67257-92E00	CAP, LEVER	2	
11	67251-93J00	LEVER, HANDLE	2	
12	67296-92E60	SCREW	4	
13	67288-92E30	WASHER	4	
14	67253-92E00	WASHER	2	
15	36890-93J10	WIRE HARNESS	1	
16	37220-92E00	SWITCH ASSY, MODE CHANGING	1	
17	67282-93J00	DECAL	1	
18	67296-92E30	SCREW	4	
19	09160-05024	WASHER (5.5X16X1.5)	4	
20	67287-92E00	NUT	4	
21	67275-95600	END, CABLE	4	
22	67273-95600	SPACER	2	
23	67273-92E10	GROMMET	1	
24	67295-92E00	SCREW	4	
25	67271-92E00	COVER	2	
26	67211-93J10	COVER	1	
27	67296-92E70	SCREW	2	
28	67500-93J10	KIT, REMOCON SPACER TWIN	1	
29	09125-05135	SCREW (5X65)	4	
30	09160-05029	WASHER (5.5X12X0.8)	4	
31	09140-05005	NUT	4	

FIG.309

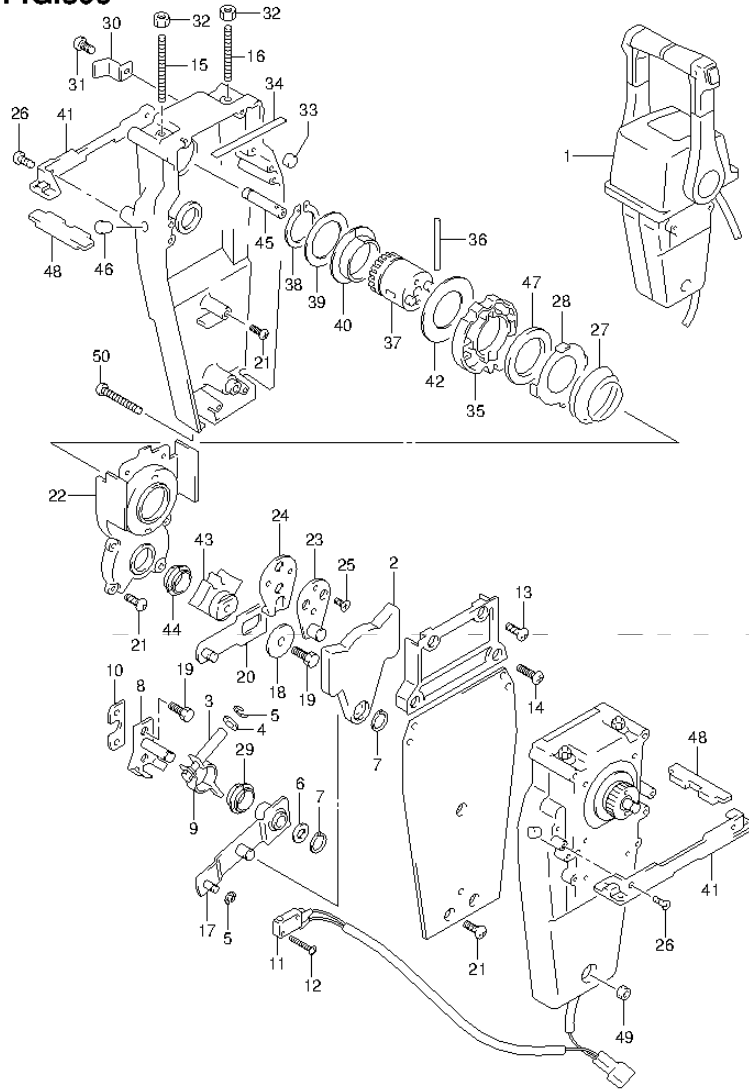


FIG.309 (3-L-13) OPT:TOP MOUNT DUAL (2)

REF NO.	PART NO.	DESCRIPTION	Q'TY	REMARKS
1	67200-93J23	REMOTE CONTROL ASSY	1	
2	67222-92E00	DUAL PLATE	2	
3	67223-92E00	BRAKE ADJUST	2	
4	67288-92E00	WASHER	2	
5	67292-94300	E RING	8	
6	67288-92E10	WASHER	2	
7	67291-92E00	SNAP RING	4	
8	67221-92E00	SHIFT ASSY	2	
9	67224-92E00	BRAKE ARM ASSY	2	
10	67294-92E00	SPACER	2	
11	37721-92E10	SWITCH ASSY, N/R	1	
12	67296-92E10	SCREW	4	
13	67296-88D10	SCREW	4	
14	67296-92E20	SCREW	4	
15	67226-92E00	BOLT, STOPPER FRONT	2	
16	67226-92E10	BOLT, STOPPER RR	2	
17	67240-92E00	ARM ASSY, THROTTLE	2	
18	67228-92E00	WASHER	2	
19	67286-92E00	BOLT	6	
20	67230-92E00	ARM ASSY, SHIFT	2	
21	09125-05042	SCREW (5X10)	16	
22	67234-92E00	CASE, GEAR	2	
23	67245-92E00	LEVER ASSY, THROTTLE	2	
24	67227-92E00	STOPPER	2	
25	09126-06006	SCREW (6X20)	4	
26	67296-95610	SCREW	4	
27	67233-92E00	SPRING	2	
28	67235-92E00	PLATE, SHIFT LOCK	2	
29	67232-95620	BUSH	2	
30	67269-92E00	BRACKET	2	
31	67296-88D10	SCREW	2	
32	09140-06020	NUT	4	
33	67236-92E00	ROLLER	2	
34	67237-92E01	SPRING	12	

FIG.309

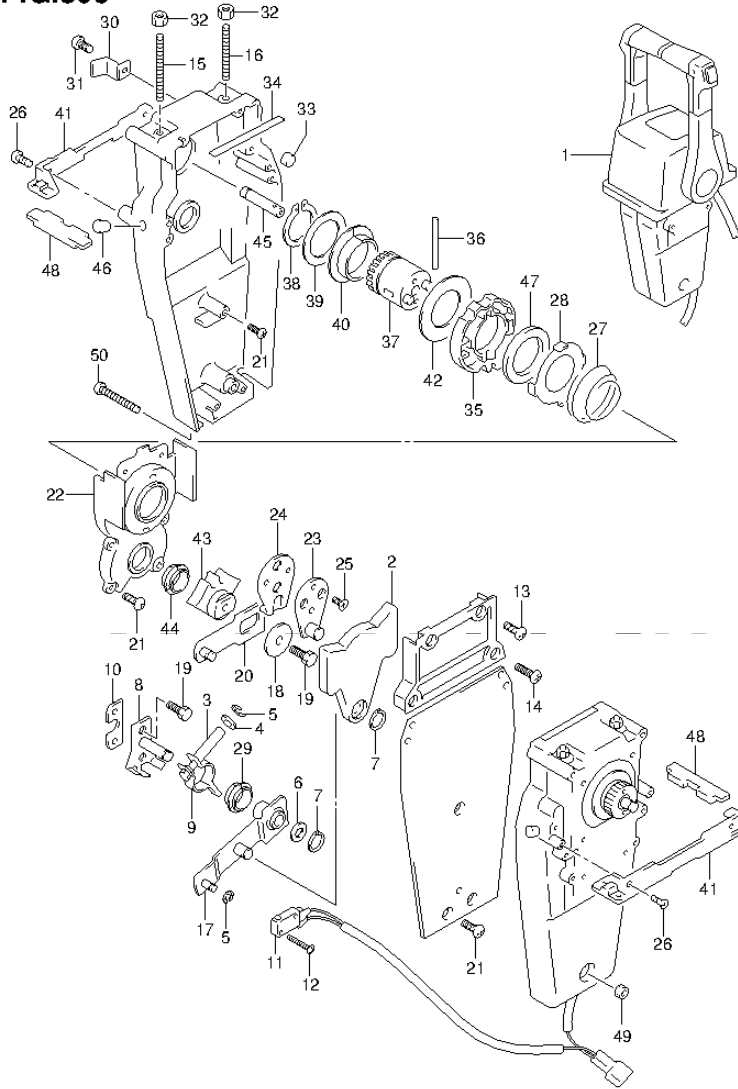
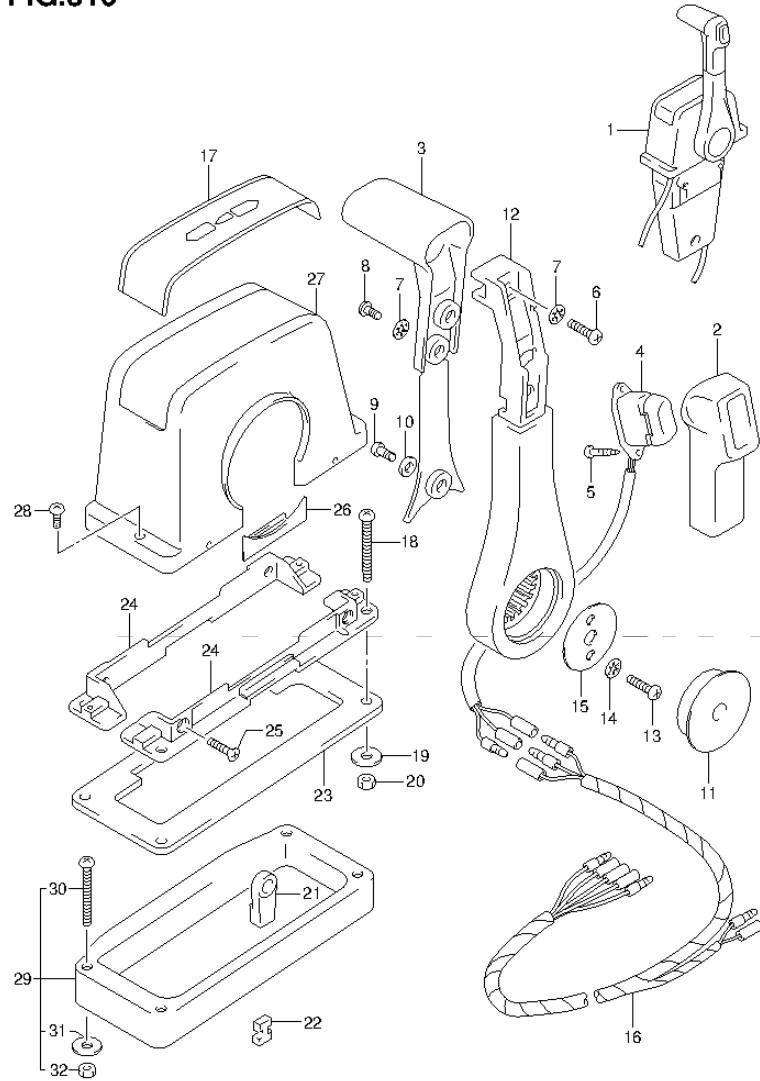


FIG.309 (3-L-14) OPT:TOP MOUNT DUAL (2)

REF NO.	PART NO.	DESCRIPTION	Q'TY	REMARKS
35	67238-92E00	GEAR, DRIVE	2	
36	67239-92E00	PIN	2	
37	67246-92E00	SHAFT, DRIVE	2	
38	67291-92E10	SNAP RING	2	
39	67253-92E10	WASHER	2	
40	67252-92E10	BUSH	2	
41	67274-92E00	FLANGE	2	
42	67253-95600	WASHER	2	
43	67231-92E00	GEAR, SHIFT	2	
44	67232-95600	BUSH	2	
45	67241-92E10	ROD, FREE ACC	2	
46	67243-92E00	GROMMET	2	
47	67239-92E10	PLATE, SHIFT PIN	2	
48	67272-92E10	SEAL, FLANGE	2	
49	67287-92E10	NUT	1	
50	67296-92E80	SCREW	3	

FIG.310



DF250_E01_013_310
OPT:TOP MOUNT SINGLE (1)

FIG.310 (3-L-15) OPT:TOP MOUNT SINGLE (1)

REF NO.	PART NO.	DESCRIPTION	Q'TY	REMARKS
1	67200-93J13	REMOTE CONTROL ASSY	1	
2	67261-93J00	GRIP, NO.1	1	
3	67263-93J00	GRIP, NO.2	1	
4	37850-93J10	SWITCH ASSY, PTT	1	
5	67295-92E10	SCREW	2	
6	67296-88D10	SCREW	1	
7	67288-92E20	WASHER	3	
8	67295-92E00	SCREW	2	
9	67296-92E70	SCREW	1	
10	67288-92E40	WASHER	1	
11	67257-92E00	CAP, LEVER	1	
12	67251-93J00	LEVER, HANDLE	1	
13	67296-92E60	SCREW	2	
14	67288-92E30	WASHER	2	
15	67253-92E00	WASHER	1	
16	36890-93J00	WIRE HARNESS	1	
17	67281-93J00	DECAL	1	
18	67296-92E30	SCREW	4	
19	09160-05024	WASHER (5.5X16X1.5)	4	
20	67287-92E00	NUT	4	
21	67275-95600	END, CABLE	2	
22	67273-95600	SPACER	1	
23	67273-92E00	GROMMET	1	
24	67274-92E00	FLANGE	2	
25	67296-95610	SCREW	4	
26	67271-92E00	COVER	1	
27	67211-93J00	COVER	1	
28	67296-92E70	SCREW	2	
29	67500-93J00	KIT, REMOCON SPACER SINGLE	1	
30	09125-05135	SCREW (5X65)	4	
31	09160-05029	WASHER (5.5X12X0.8)	4	
32	09140-05005	NUT	4	

DF250_E01_013

FIG.311

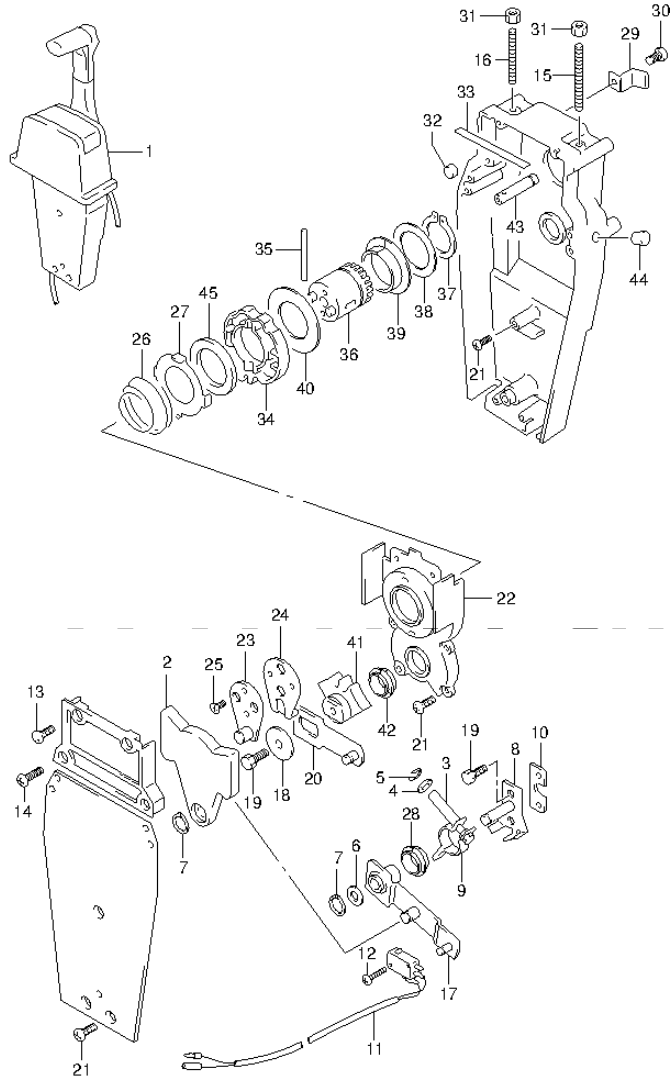


FIG.311 (4-B-2) OPT:TOP MOUNT SINGLE (2)

REF NO.	PART NO.	DESCRIPTION	Q'TY	REMARKS
1	67200-93J13	REMOTE CONTROL ASSY	1	
2	67222-92E00	DUAL PLATE	1	
3	67223-92E00	BRAKE ADJUST	1	
4	67288-92E00	WASHER	1	
5	67292-94300	E RING	4	
6	67288-92E10	WASHER	1	
7	67291-92E00	SNAP RING	2	
8	67221-92E00	SHIFT ASSY	1	
9	67224-92E00	BRAKE ARM ASSY	1	
10	67294-92E00	SPACER	1	
11	37721-95500	SWITCH ASSY, NEUTRAL	1	
12	67296-92E10	SCREW (3X15)	2	
13	67296-88D10	SCREW (5X16)	2	
14	67296-92E20	SCREW (5X25)	2	
15	67226-92E00	BOLT, STOPPER FRONT	1	
16	67226-92E10	BOLT, STOPPER REAR	1	
17	67240-92E00	ARM ASSY, THROTTLE	1	
18	67228-92E00	WASHER	1	
19	67286-92E00	BOLT (6X18)	3	
20	67230-92E00	ARM ASSY, SHIFT	1	
21	09125-05042	SCREW (5X10)	9	
22	67234-92E00	CASE, GEAR	1	
23	67245-92E00	LEVER ASSY, THROTTLE	1	
24	67227-92E00	STOPPER	1	
25	09126-06006	SCREW (6X20)	2	
26	67233-92E00	SPRING	1	
27	67235-92E00	PLATE, SHIFT LOCK	1	
28	67232-95620	BUSH	1	
29	67269-92E00	BRACKET	1	
30	67296-88D10	SCREW	1	
31	09140-06020	NUT	2	
32	67236-92E00	ROLLER	1	
33	67237-92E01	SPRING	6	
34	67238-92E00	GEAR, DRIVE	1	

FIG.311

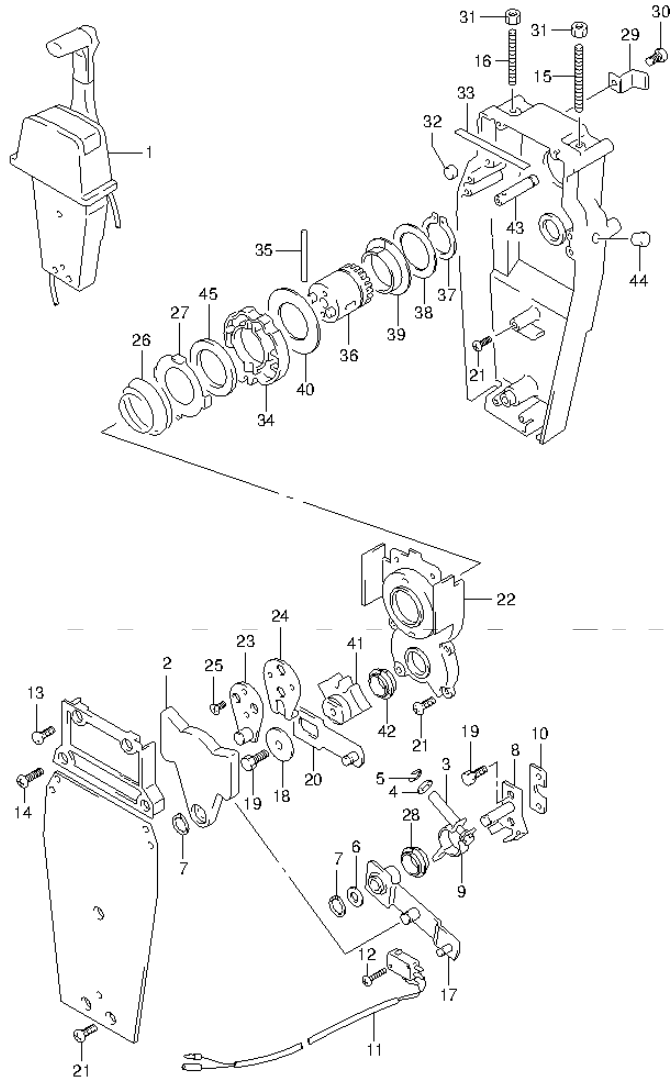


FIG.311 (4-B-3) OPT:TOP MOUNT SINGLE (2)

REF NO.	PART NO.	DESCRIPTION	Q'TY	REMARKS
35	67239-92E00	PIN	1	
36	67246-92E00	SHIFT, DRIVE	1	
37	67291-92E10	SNAP RING	1	
38	67253-92E10	WASHER	1	
39	67252-92E10	BUSH	1	
40	67253-95600	WASHER	1	
41	67231-92E00	GEAR, SHIFT	1	
42	67232-95600	BUSH	1	
43	67241-92E10	ROD, FREE ACC	1	
44	67243-92E00	CAP, HOLE	1	
45	67239-92E10	PLATE, SHIFT PIN	1	

FIG.313

FIG.313 (4-B-5) OPT:CONCEALED REMOCON (2)

REF NO.	PART NO.	DESCRIPTION	Q'TY	REMARKS
1	67200-93J32	REMOTE CONTROL ASSY	1	
2	67222-92E50	DUEL PLATE	1	
3	67292-94300	E RING	3	
4	67288-92E10	WASHER	1	
5	67291-92E00	SNAP RING	2	
6	67223-92E50	BRAKE ADJUST	1	
7	67221-92E50	HOLDER ASSY	1	
8	67224-92E50	BRAKE SHOE ASSY	1	
9	67225-92E50	DISK, BRAKE	1	
10	09140-06020	NUT	2	
11	67294-92E00	SPACER	1	
12	37721-95500	SWITCH ASSY, NEUTRAL	1	
13	67296-92E10	SCREW (3X15)	2	
14	67226-92E10	BOLT, STOPPER (REAR)	2	
15	67296-92E20	SCREW (5X25)	2	
16	67240-92E50	ARM ASSY, THROTTLE	1	
17	67228-92E00	WASHER	1	
18	67286-92E00	BOLT (6X18)	3	
19	67230-92E00	ARM ASSY, SHIFT	1	
20	09125-05042	SCREW (5X10)	11	
21	67234-92E00	GEAR CASE	1	
22	67245-92E00	LEVER ASSY, THROTTLE	1	
23	67227-92E00	STOPPER	1	
24	67296-88D10	SCREW (6X20)	2	
25	67225-92E00	SPRING	1	
26	09125-04004	SCREW (4X6)	1	
27	67233-92E00	SPRING	1	
28	67235-92E00	PLATE, SHIFT LOCK	1	
29	67239-92E10	PLATE, SHIFT PIN	1	
30	67236-92E00	ROLLER	1	
31	67237-92E01	SPRING	5	
32	67238-92E50	GEAR, DRIVE	1	
33	67239-92E00	PIN	1	
34	67246-92E50	SHAFT, DRIVE	1	

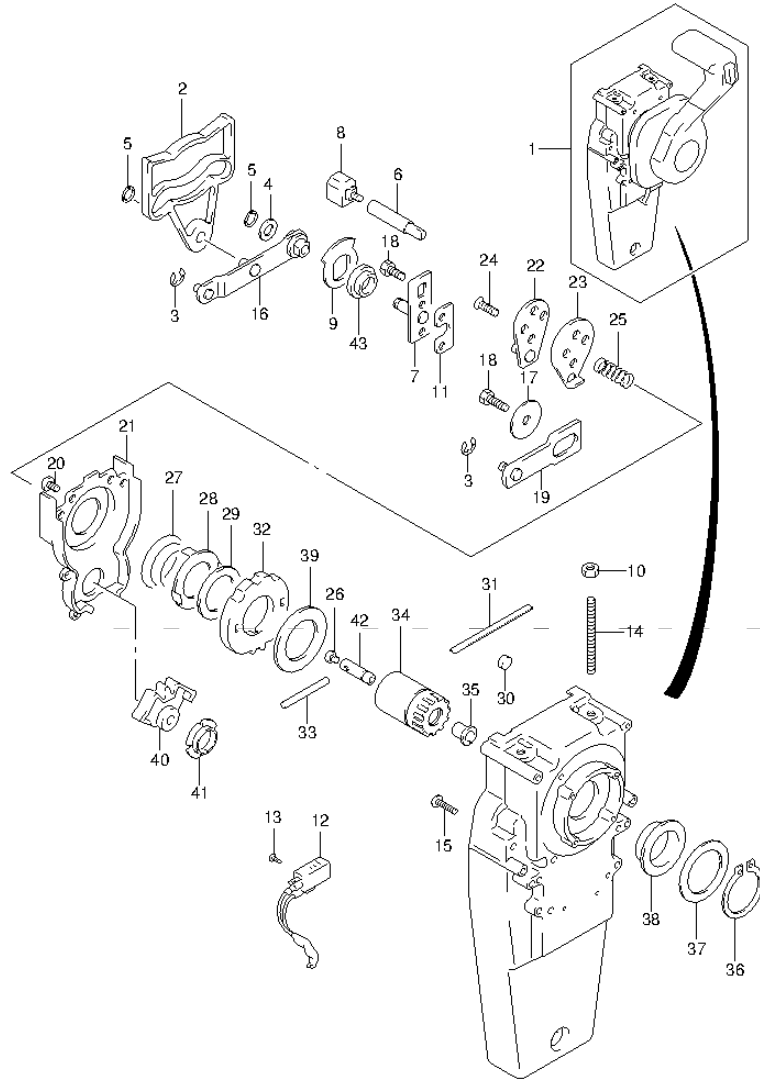


FIG.313

FIG.313 (4-B-6) OPT:CONCEALED REMOCON (2)

REF NO.	PART NO.	DESCRIPTION	Q'TY	REMARKS
35	67252-92E00	BUSH	1	
36	67291-92E10	SNAP RING	1	
37	67253-92E10	WASHER	1	
38	67252-92E10	BUSH	1	
39	67253-95600	WASHER	1	
40	67231-92E00	GEAR, SHIFT	1	
41	67232-95600	BUSH	1	
42	67241-92E50	ROD, FREE ACC	1	
43	67232-92E50	BUSH	1	

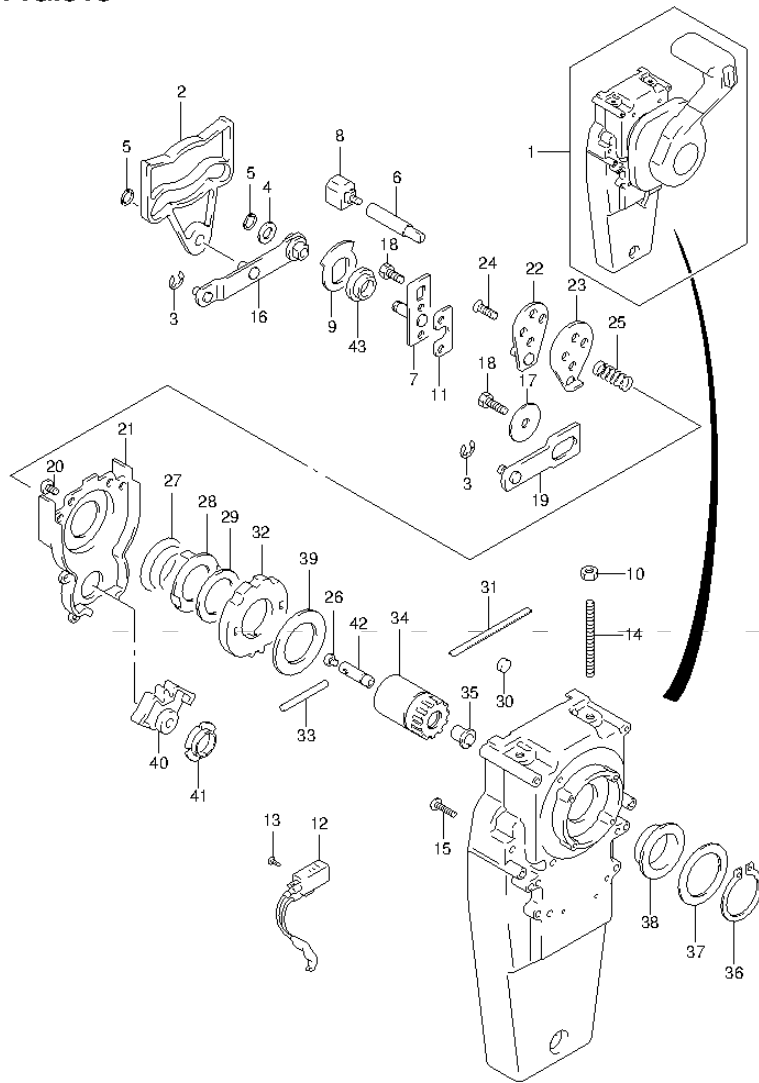


FIG.314

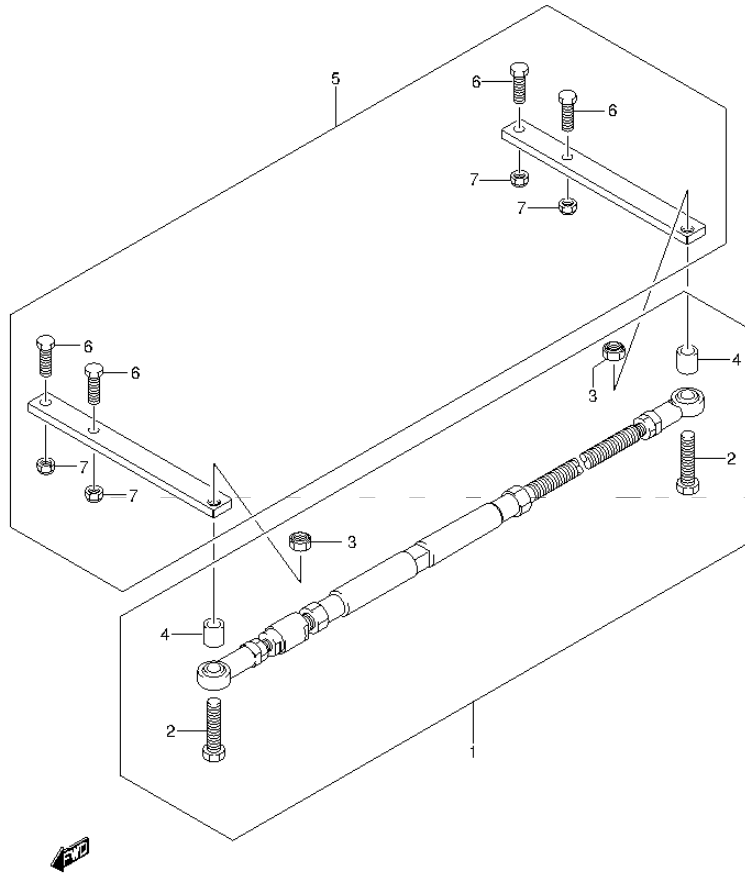


FIG.314 (4-B-7) OPT:TIE ROD

REF NO.	PART NO.	DESCRIPTION	Q'TY	REMARKS
1	67600-93J00	KIT, TIE ROD	1	
2	67725-93J00	BOLT	2	
3	67726-93J00	NUT	2	
4	67721-93J00	SPACER	2	
5	67630-93J00	KIT, STEERING EXTENSION	1	
6	67725-93E00	BOLT	4	
7	67726-99E00	NUT	4	

FIG.315

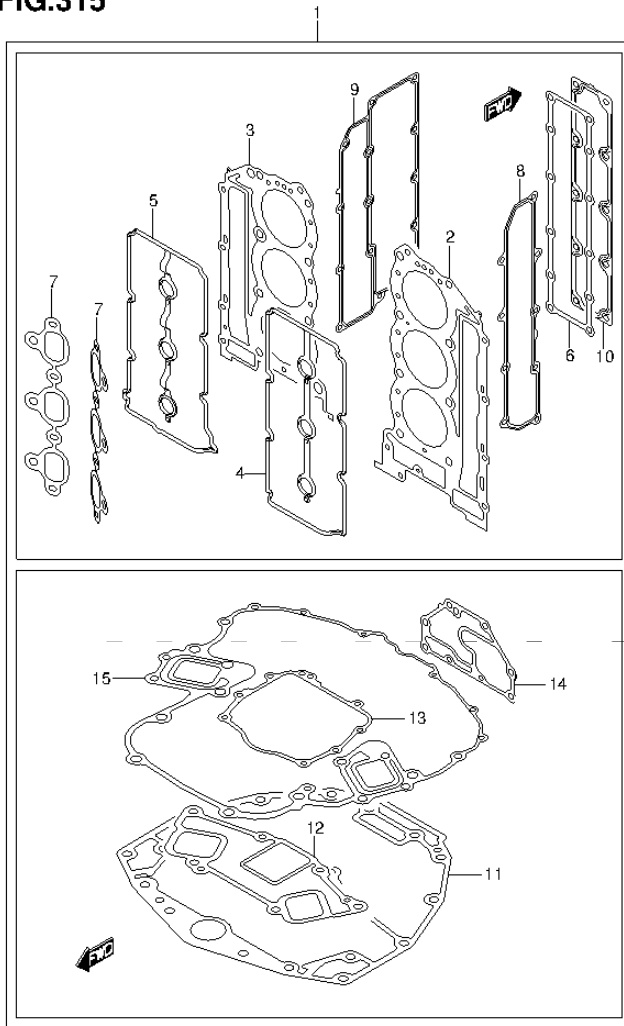


FIG.315 (4-B-8) OPT:GASKET SET (DF200T E1)

REF NO.	PART NO.	DESCRIPTION	Q'TY	REMARKS
1	11410-93871	GASKET SET	1	
2	11141-93J10	GASKET, CYL HEAD STBD	1	
3	11142-93J10	GASKET, CYL HEAD PORT	1	
4	11179-93J00	GASKET, CYL HEAD COVER STBD	1	
5	11189-93J00	GASKET, CYL HEAD COVER PORT	1	
6	11332-93J00	GASKET, CRANKCASE WTR JKT COV	1	
7	13119-93J00	GASKET, INTAKE MANIFOLD	2	
8	14151-93J00	GASKET, EXH COVER STBD	1	
9	14152-93J00	GASKET, EXH COVER PORT	1	
10	11272-93J00	GASKET, CYL BLOCK PLATE	1	
11	11489-93J00	GASKET, OIL PAN	1	
12	14212-93J00	GASKET, EXHAUST TUBE	1	
13	51123-93J00	GASKET, MOUNT OIL SEAL COVER	1	
14	51142-93J00	GASKET, ENGINE HOLDER COVER	1	
15	51211-93J00	GASKET, ENGINE HOLDER	1	
16-1	99011-93J40-054	MANUAL, OWNER'S (ENGLISH/VIETNAMESE)	1	
16-2	99011-93J40-059	MANUAL, OWNER'S (EN/FR/GE/IT/DU/SW)	1	



FIG.316

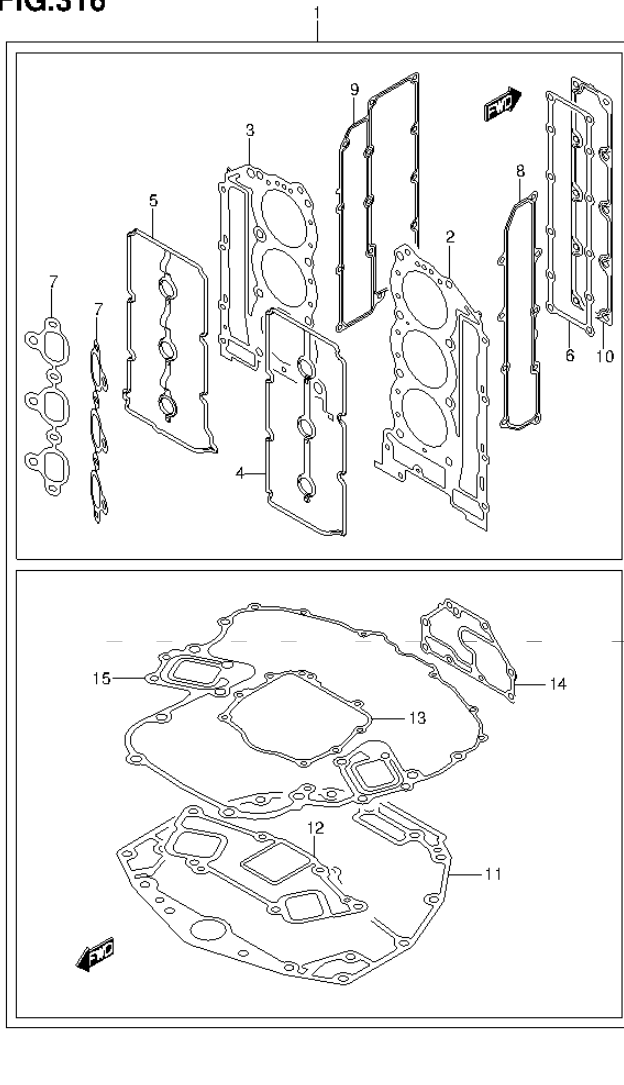


FIG.316 (4-B-9) OPT:GASKET SET (DF200T E40)

REF NO.	PART NO.	DESCRIPTION	Q'TY	REMARKS
1	11410-93871	GASKET SET	1	
2	11141-93J10	GASKET, CYL HEAD STBD	1	
3	11142-93J10	GASKET, CYL HEAD PORT	1	
4	11179-93J00	GASKET, CYL HEAD COVER STBD	1	
5	11189-93J00	GASKET, CYL HEAD COVER PORT	1	
6	11332-93J00	GASKET, CRANKCASE WTR JKT COV	1	
7	13119-93J00	GASKET, INTAKE MANIFOLD	2	
8	14151-93J00	GASKET, EXH COVER STBD	1	
9	14152-93J00	GASKET, EXH COVER PORT	1	
10	11272-93J00	GASKET, CYL BLOCK PLATE	1	
11	11489-93J00	GASKET, OIL PAN	1	
12	14212-93J00	GASKET, EXHAUST TUBE	1	
13	51123-93J00	GASKET, MOUNT OIL SEAL COVER	1	
14	51142-93J00	GASKET, ENGINE HOLDER COVER	1	
15	51211-93J00	GASKET, ENGINE HOLDER	1	
16	99011-93J40-059	MANUAL, OWNER'S (EN/FR/GE/IT/DU/SW)	1	

FIG.317

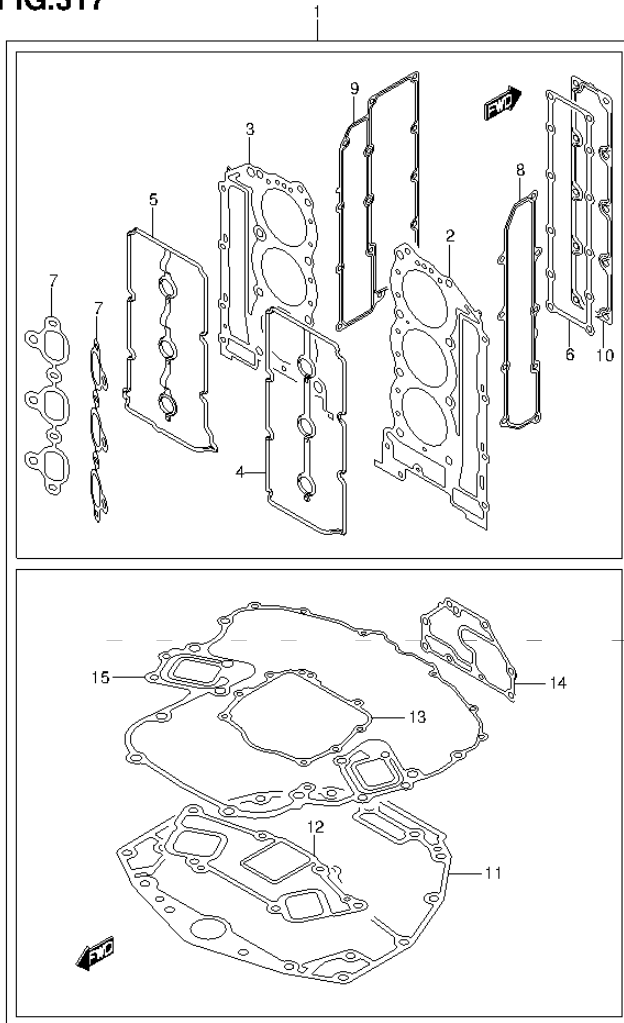


FIG.317 (4-B-10) OPT:GASKET SET (DF200Z E1)

REF NO.	PART NO.	DESCRIPTION	Q'TY	REMARKS
1	11410-93871	GASKET SET	1	
2	11141-93J10	GASKET, CYL HEAD STBD	1	
3	11142-93J10	GASKET, CYL HEAD PORT	1	
4	11179-93J00	GASKET, CYL HEAD COVER STBD	1	
5	11189-93J00	GASKET, CYL HEAD COVER PORT	1	
6	11332-93J00	GASKET, CRANKCASE WTR JKT COV	1	
7	13119-93J00	GASKET, INTAKE MANIFOLD	2	
8	14151-93J00	GASKET, EXH COVER STBD	1	
9	14152-93J00	GASKET, EXH COVER PORT	1	
10	11272-93J00	GASKET, CYL BLOCK PLATE	1	
11	11489-93J00	GASKET, OIL PAN	1	
12	14212-93J00	GASKET, EXHAUST TUBE	1	
13	51123-93J00	GASKET, MOUNT OIL SEAL COVER	1	
14	51142-93J00	GASKET, ENGINE HOLDER COVER	1	
15	51211-93J00	GASKET, ENGINE HOLDER	1	
16-1	99011-93J40-054	MANUAL, OWNER'S (ENGLISH/VIETNAMESE)	1	
16-2	99011-93J40-059	MANUAL, OWNER'S (EN/FR/GE/IT/DU/SW)	1	

FIG.318

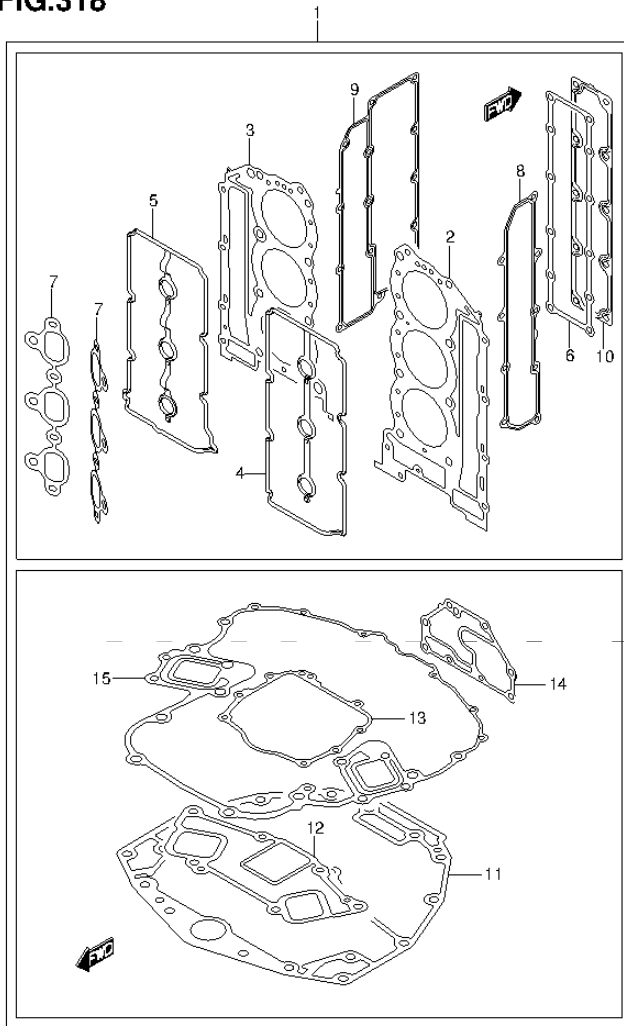


FIG.318 (4-B-11) OPT:GASKET SET (DF200Z E40)

REF NO.	PART NO.	DESCRIPTION	Q'TY	REMARKS
1	11410-93871	GASKET SET	1	
2	11141-93J10	GASKET, CYL HEAD STBD	1	
3	11142-93J10	GASKET, CYL HEAD PORT	1	
4	11179-93J00	GASKET, CYL HEAD COVER STBD	1	
5	11189-93J00	GASKET, CYL HEAD COVER PORT	1	
6	11332-93J00	GASKET, CRANKCASE WTR JKT COV	1	
7	13119-93J00	GASKET, INTAKE MANIFOLD	2	
8	14151-93J00	GASKET, EXH COVER STBD	1	
9	14152-93J00	GASKET, EXH COVER PORT	1	
10	11272-93J00	GASKET, CYL BLOCK PLATE	1	
11	11489-93J00	GASKET, OIL PAN	1	
12	14212-93J00	GASKET, EXHAUST TUBE	1	
13	51123-93J00	GASKET, MOUNT OIL SEAL COVER	1	
14	51142-93J00	GASKET, ENGINE HOLDER COVER	1	
15	51211-93J00	GASKET, ENGINE HOLDER	1	
16	99011-93J40-059	MANUAL, OWNER'S (EN/FR/GE/IT/DU/SW)	1	

FIG.319

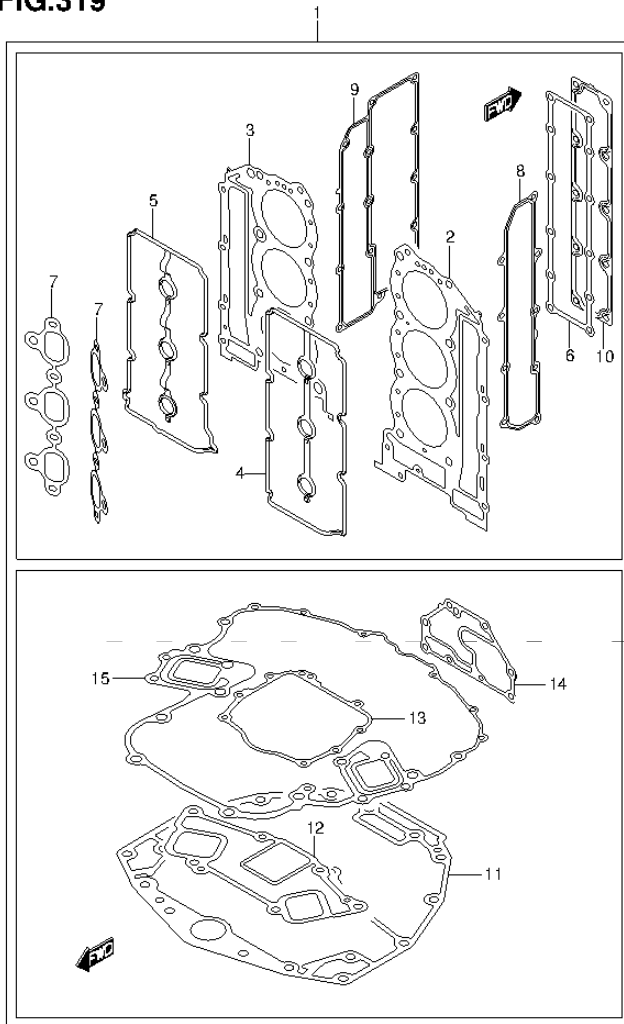


FIG.319 (4-B-12) OPT:GASKET SET (DF25T E1)

REF NO.	PART NO.	DESCRIPTION	Q'TY	REMARKS
1	11410-93871	GASKET SET	1	
2	11141-93J10	GASKET, CYL HEAD STBD	1	
3	11142-93J10	GASKET, CYL HEAD PORT	1	
4	11179-93J00	GASKET, CYL HEAD COVER STBD	1	
5	11189-93J00	GASKET, CYL HEAD COVER PORT	1	
6	11332-93J00	GASKET, CRANKCASE WTR JKT COV	1	
7	13119-93J00	GASKET, INTAKE MANIFOLD	2	
8	14151-93J00	GASKET, EXH COVER STBD	1	
9	14152-93J00	GASKET, EXH COVER PORT	1	
10	11272-93J00	GASKET, CYL BLOCK PLATE	1	
11	11489-93J00	GASKET, OIL PAN	1	
12	14212-93J00	GASKET, EXHAUST TUBE	1	
13	51123-93J00	GASKET, MOUNT OIL SEAL COVER	1	
14	51142-93J00	GASKET, ENGINE HOLDER COVER	1	
15	51211-93J00	GASKET, ENGINE HOLDER	1	
16-1	99011-93J40-054	MANUAL, OWNER'S (ENGLISH/VIETNAMESE)	1	
16-2	99011-93J40-059	MANUAL, OWNER'S (EN/FR/GE/IT/DU/SW)	1	



FIG.320

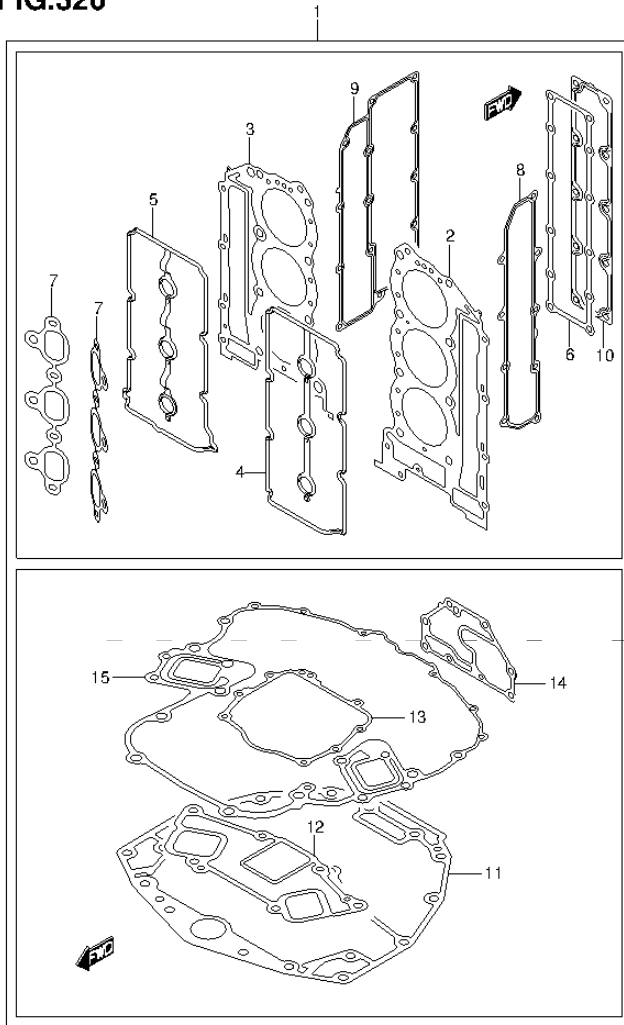


FIG.320 (4-B-13) OPT:GASKET SET (DF225T E40)

REF NO.	PART NO.	DESCRIPTION	Q'TY	REMARKS
1	11410-93871	GASKET SET	1	
2	11141-93J10	GASKET, CYL HEAD STBD	1	
3	11142-93J10	GASKET, CYL HEAD PORT	1	
4	11179-93J00	GASKET, CYL HEAD COVER STBD	1	
5	11189-93J00	GASKET, CYL HEAD COVER PORT	1	
6	11332-93J00	GASKET, CRANKCASE WTR JKT COV	1	
7	13119-93J00	GASKET, INTAKE MANIFOLD	2	
8	14151-93J00	GASKET, EXH COVER STBD	1	
9	14152-93J00	GASKET, EXH COVER PORT	1	
10	11272-93J00	GASKET, CYL BLOCK PLATE	1	
11	11489-93J00	GASKET, OIL PAN	1	
12	14212-93J00	GASKET, EXHAUST TUBE	1	
13	51123-93J00	GASKET, MOUNT OIL SEAL COVER	1	
14	51142-93J00	GASKET, ENGINE HOLDER COVER	1	
15	51211-93J00	GASKET, ENGINE HOLDER	1	
16	99011-93J40-059	MANUAL, OWNER'S (EN/FR/GE/IT/DU/SW)	1	

FIG.321

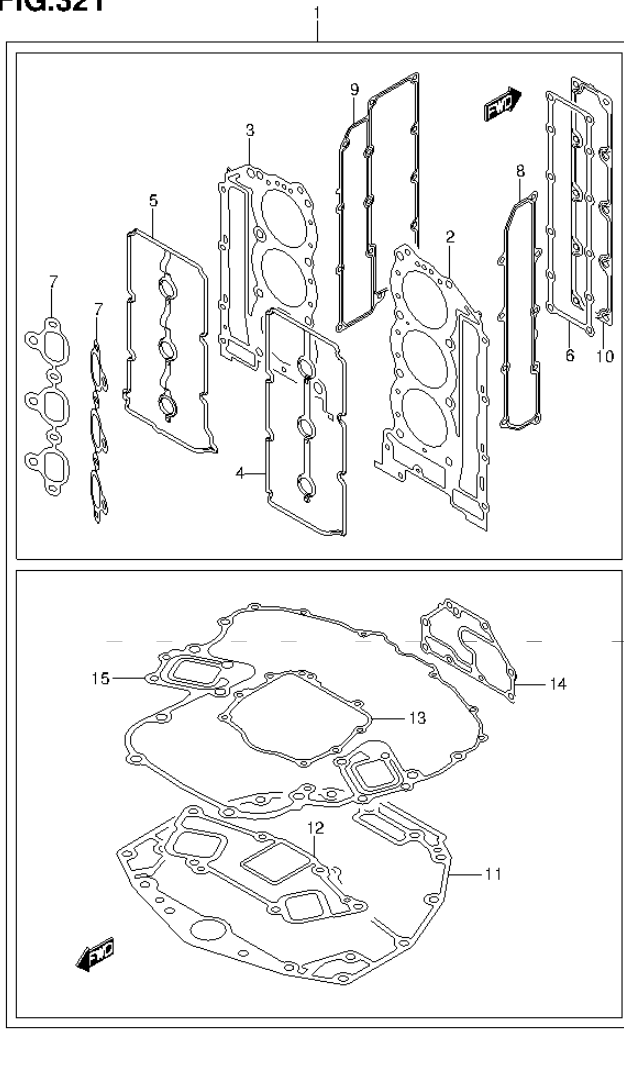


FIG.321 (4-B-14) OPT:GASKET SET (DF225Z E1)

REF NO.	PART NO.	DESCRIPTION	Q'TY	REMARKS
1	11410-93871	GASKET SET	1	
2	11141-93J10	GASKET, CYL HEAD STBD	1	
3	11142-93J10	GASKET, CYL HEAD PORT	1	
4	11179-93J00	GASKET, CYL HEAD COVER STBD	1	
5	11189-93J00	GASKET, CYL HEAD COVER PORT	1	
6	11332-93J00	GASKET, CRANKCASE WTR JKT COV	1	
7	13119-93J00	GASKET, INTAKE MANIFOLD	2	
8	14151-93J00	GASKET, EXH COVER STBD	1	
9	14152-93J00	GASKET, EXH COVER PORT	1	
10	11272-93J00	GASKET, CYL BLOCK PLATE	1	
11	11489-93J00	GASKET, OIL PAN	1	
12	14212-93J00	GASKET, EXHAUST TUBE	1	
13	51123-93J00	GASKET, MOUNT OIL SEAL COVER	1	
14	51142-93J00	GASKET, ENGINE HOLDER COVER	1	
15	51211-93J00	GASKET, ENGINE HOLDER	1	
16-1	99011-93J40-054	MANUAL, OWNER'S (ENGLISH/VIETNAMESE)	1	
16-2	99011-93J40-059	MANUAL, OWNER'S (EN/FR/GE/IT/DU/SW)	1	

FIG.322

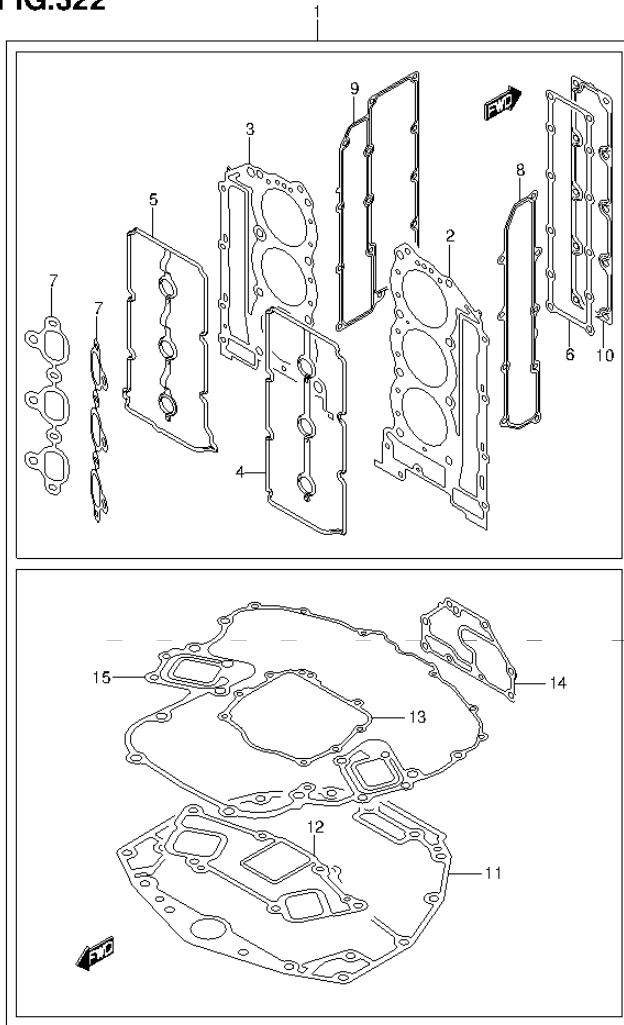


FIG.322 (4-B-15) OPT:GASKET SET (DF250Z E40)

REF NO.	PART NO.	DESCRIPTION	Q'TY	REMARKS
1	11410-93871	GASKET SET	1	
2	11141-93J10	GASKET, CYL HEAD STBD	1	
3	11142-93J10	GASKET, CYL HEAD PORT	1	
4	11179-93J00	GASKET, CYL HEAD COVER STBD	1	
5	11189-93J00	GASKET, CYL HEAD COVER PORT	1	
6	11332-93J00	GASKET, CRANKCASE WTR JKT COV	1	
7	13119-93J00	GASKET, INTAKE MANIFOLD	2	
8	14151-93J00	GASKET, EXH COVER STBD	1	
9	14152-93J00	GASKET, EXH COVER PORT	1	
10	11272-93J00	GASKET, CYL BLOCK PLATE	1	
11	11489-93J00	GASKET, OIL PAN	1	
12	14212-93J00	GASKET, EXHAUST TUBE	1	
13	51123-93J00	GASKET, MOUNT OIL SEAL COVER	1	
14	51142-93J00	GASKET, ENGINE HOLDER COVER	1	
15	51211-93J00	GASKET, ENGINE HOLDER	1	
16	99011-93J40-059	MANUAL, OWNER'S (EN/FR/GE/IT/DU/SW)	1	

FIG.323

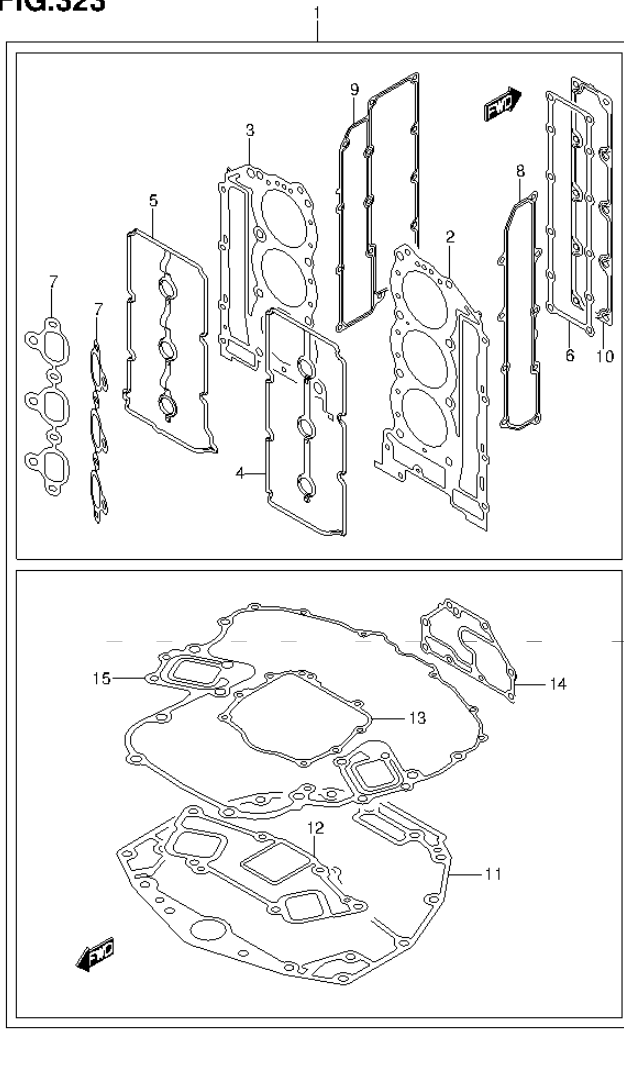


FIG.323 (4-C-2) OPT:GASKET SET (DF250T E1)

REF NO.	PART NO.	DESCRIPTION	Q'TY	REMARKS
1	11410-93871	GASKET SET	1	
2	11141-93J10	GASKET, CYL HEAD STBD	1	
3	11142-93J10	GASKET, CYL HEAD PORT	1	
4	11179-93J00	GASKET, CYL HEAD COVER STBD	1	
5	11189-93J00	GASKET, CYL HEAD COVER PORT	1	
6	11332-93J00	GASKET, CRANKCASE WTR JKT COV	1	
7	13119-93J00	GASKET, INTAKE MANIFOLD	2	
8	14151-93J00	GASKET, EXH COVER STBD	1	
9	14152-93J00	GASKET, EXH COVER PORT	1	
10	11272-93J00	GASKET, CYL BLOCK PLATE	1	
11	11489-93J00	GASKET, OIL PAN	1	
12	14212-93J00	GASKET, EXHAUST TUBE	1	
13	51123-93J00	GASKET, MOUNT OIL SEAL COVER	1	
14	51142-93J00	GASKET, ENGINE HOLDER COVER	1	
15	51211-93J00	GASKET, ENGINE HOLDER	1	
16-1	99011-93J40-054	MANUAL, OWNER'S (ENGLISH/VIETNAMESE)	1	
16-2	99011-93J40-059	MANUAL, OWNER'S (EN/FR/GE/IT/DU/SW)	1	

FIG.324

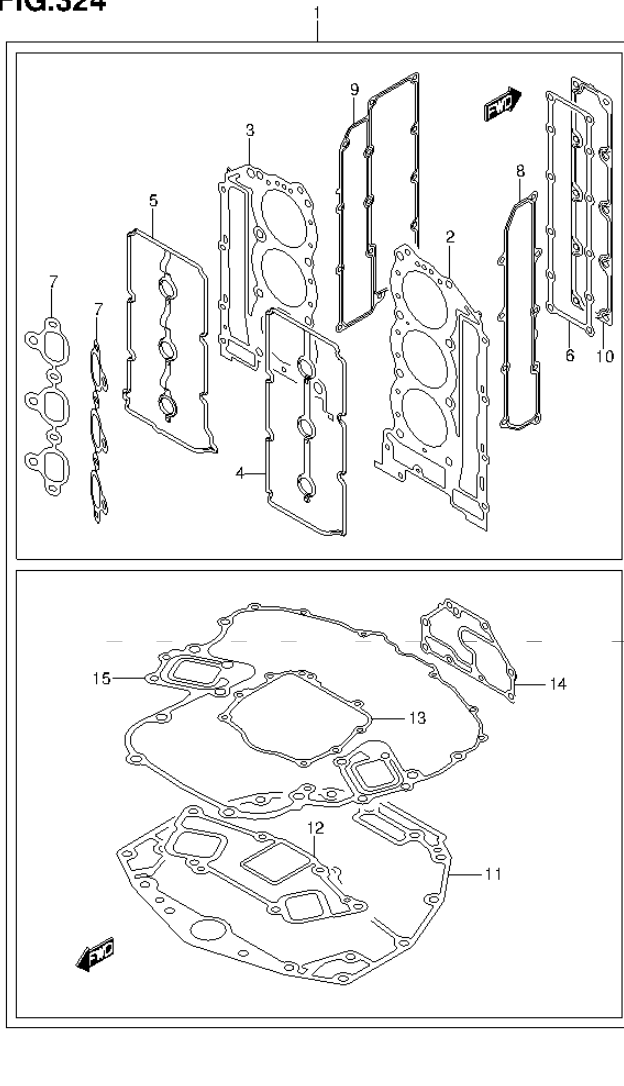


FIG.324 (4-C-3) OPT:GASKET SET (DF250T E40)

REF NO.	PART NO.	DESCRIPTION	Q'TY	REMARKS
1	11410-93871	GASKET SET	1	
2	11141-93J10	GASKET, CYL HEAD STBD	1	
3	11142-93J10	GASKET, CYL HEAD PORT	1	
4	11179-93J00	GASKET, CYL HEAD COVER STBD	1	
5	11189-93J00	GASKET, CYL HEAD COVER PORT	1	
6	11332-93J00	GASKET, CRANKCASE WTR JKT COV	1	
7	13119-93J00	GASKET, INTAKE MANIFOLD	2	
8	14151-93J00	GASKET, EXH COVER STBD	1	
9	14152-93J00	GASKET, EXH COVER PORT	1	
10	11272-93J00	GASKET, CYL BLOCK PLATE	1	
11	11489-93J00	GASKET, OIL PAN	1	
12	14212-93J00	GASKET, EXHAUST TUBE	1	
13	51123-93J00	GASKET, MOUNT OIL SEAL COVER	1	
14	51142-93J00	GASKET, ENGINE HOLDER COVER	1	
15	51211-93J00	GASKET, ENGINE HOLDER	1	
16	99011-93J40-059	MANUAL, OWNER'S (EN/FR/GE/IT/DU/SW)	1	

FIG.325

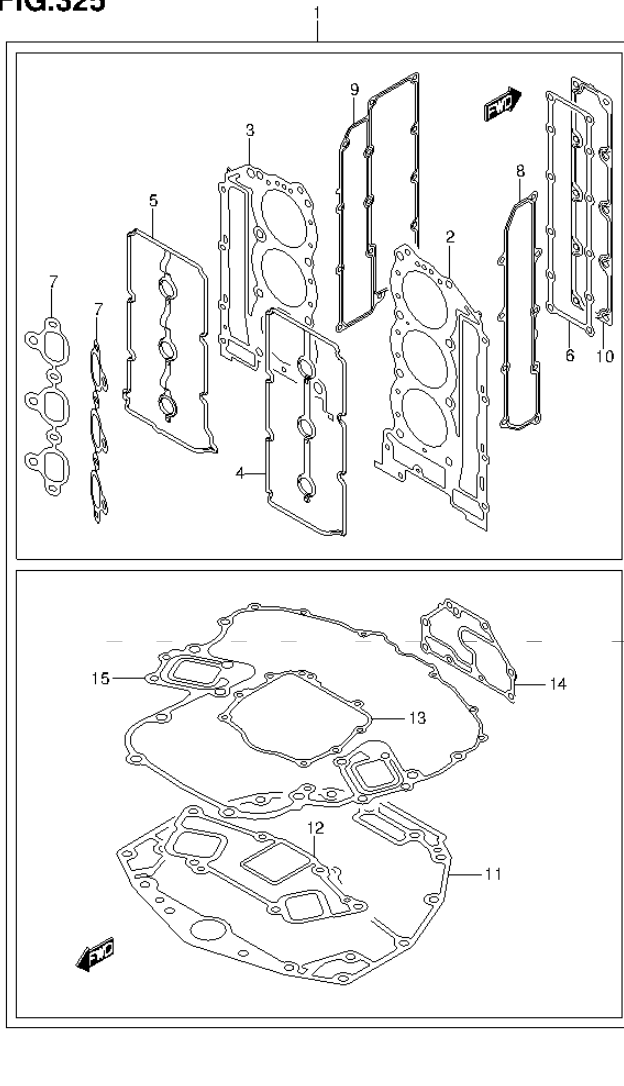


FIG.325 (4-C-4) OPT:GASKET SET (DF250Z E1)

REF NO.	PART NO.	DESCRIPTION	Q'TY	REMARKS
1	11410-93871	GASKET SET	1	
2	11141-93J10	GASKET, CYL HEAD STBD	1	
3	11142-93J10	GASKET, CYL HEAD PORT	1	
4	11179-93J00	GASKET, CYL HEAD COVER STBD	1	
5	11189-93J00	GASKET, CYL HEAD COVER PORT	1	
6	11332-93J00	GASKET, CRANKCASE WTR JKT COV	1	
7	13119-93J00	GASKET, INTAKE MANIFOLD	2	
8	14151-93J00	GASKET, EXH COVER STBD	1	
9	14152-93J00	GASKET, EXH COVER PORT	1	
10	11272-93J00	GASKET, CYL BLOCK PLATE	1	
11	11489-93J00	GASKET, OIL PAN	1	
12	14212-93J00	GASKET, EXHAUST TUBE	1	
13	51123-93J00	GASKET, MOUNT OIL SEAL COVER	1	
14	51142-93J00	GASKET, ENGINE HOLDER COVER	1	
15	51211-93J00	GASKET, ENGINE HOLDER	1	
16-1	99011-93J40-054	MANUAL, OWNER'S (ENGLISH/VIETNAMESE)	1	
16-2	99011-93J40-059	MANUAL, OWNER'S (EN/FR/GE/IT/DU/SW)	1	

FIG.326

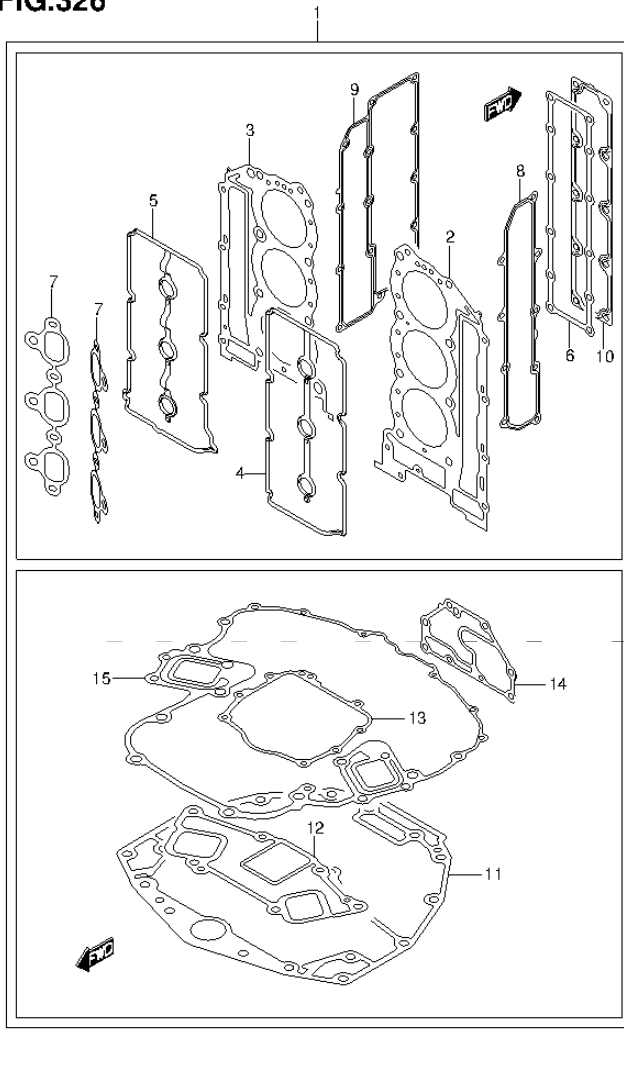


FIG.326 (4-C-5) OPT:GASKET SET (DF250Z E40)

REF NO.	PART NO.	DESCRIPTION	Q'TY	REMARKS
1	11410-93871	GASKET SET	1	
2	11141-93J10	GASKET, CYL HEAD STBD	1	
3	11142-93J10	GASKET, CYL HEAD PORT	1	
4	11179-93J00	GASKET, CYL HEAD COVER STBD	1	
5	11189-93J00	GASKET, CYL HEAD COVER PORT	1	
6	11332-93J00	GASKET, CRANKCASE WTR JKT COV	1	
7	13119-93J00	GASKET, INTAKE MANIFOLD	2	
8	14151-93J00	GASKET, EXH COVER STBD	1	
9	14152-93J00	GASKET, EXH COVER PORT	1	
10	11272-93J00	GASKET, CYL BLOCK PLATE	1	
11	11489-93J00	GASKET, OIL PAN	1	
12	14212-93J00	GASKET, EXHAUST TUBE	1	
13	51123-93J00	GASKET, MOUNT OIL SEAL COVER	1	
14	51142-93J00	GASKET, ENGINE HOLDER COVER	1	
15	51211-93J00	GASKET, ENGINE HOLDER	1	
16	99011-93J40-059	MANUAL, OWNER'S (EN/FR/GE/IT/DU/SW)	1	

FIG.327

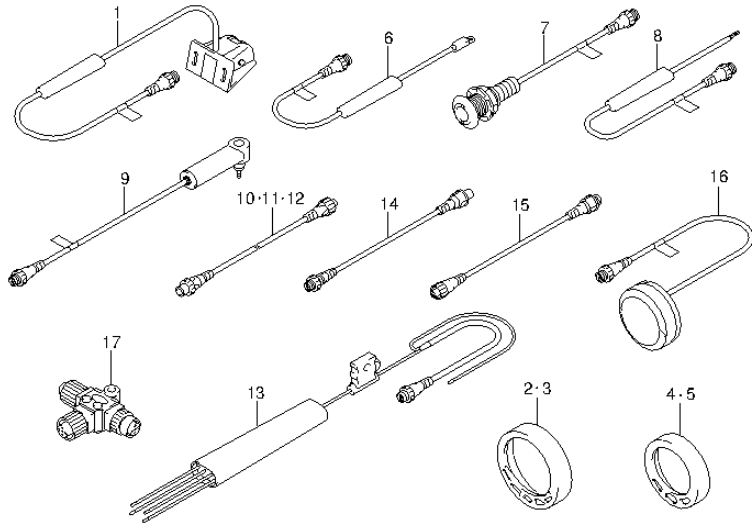
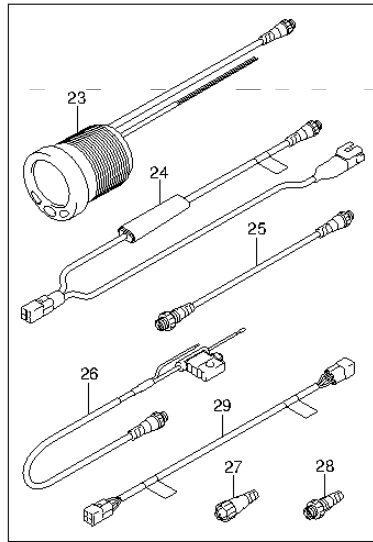
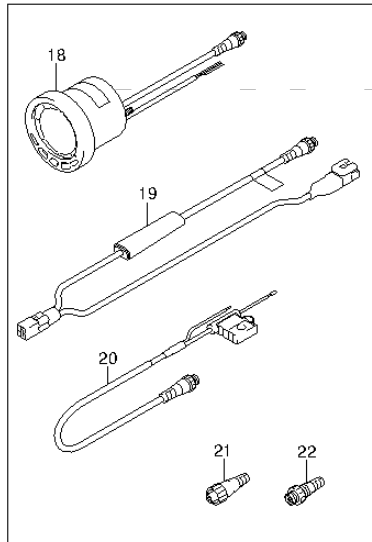


FIG.327 (4-C-6) OPT:LOWRANCE GAUGE

REF NO.	PART NO.	DESCRIPTION	Q'TY	REMARKS
1	34190-88L00	SENSOR ASSY,PAD WHEEL	1	
2	34193-88L00	BEZEL, 4 IN CHR	1	
3	34193-88L20	BEZEL, 4 IN WHITE	1	
4	34193-88L40	BEZEL, 2 IN CHR	1	
5	34193-88L60	BEZEL, 2 IN WHITE	1	
6	34455-88L00	SENSOR ASSY, WATER TEMP	1	
7	34455-88L10	SENSOR ASSY, WATER TEMP	1	
8	34810-88L00	SENSOR ASSY, FLUID LEVEL	1	
9	34960-88L00	SENSOR ASSY, WATER PRESSURE	1	
10	36662-88L10	WIRE, 2 EXTENSION	1	
11	36662-88L20	WIRE, 6 EXTENSION	1	
12	36662-88L30	WIRE, 15 EXTENSION	1	
13	36663-88L10	HARNESS ASSY, NETWORK POWER	1	
14	36666-88L00	WIRE, ADAPTER TO N NETWORK	1	
15	36666-88L10	WIRE, ADAPTER TO L NETWORK	1	
16	39950-88L00	MODULE ASSY, GPS RECEIVER	1	
17	36664-88L00	CONNECTOR, BRANCH	1	
18	34200-88L01	GAUGE ASSY, 4 IN MULTI	1	
19	34922-88L00	UNIT, INTERFACE	1	
20	36663-88L00	HARNESS ASSY, NETWORK POWER	1	
21	36665-88L00	UNIT, RESISTOR FEMALE	1	
22	36665-88L10	UNIT, RESISTOR MALE	1	
23	34800-88L01	GAUGE ASSY, 2 IN MULTI	1	
24	34922-88L00	UNIT, INTERFACE	1	
25	36662-88L00	WIRE, 25 EXTENSION	1	
26	36663-88L00	HARNESS ASSY, NETWORK POWER	1	
27	36665-88L00	UNIT, RESISTOR FEMALE	1	
28	36665-88L10	UNIT, RESISTOR MALE	1	
29	36668-88L00	WIRE, ADAPTER TO DIAGNS	1	



PART NO.	FIG.NO.-REF.NO.	PART NO.	FIG.NO.-REF.NO.	PART NO.	FIG.NO.-REF.NO.
10000			9-9		10-11
			10-9		11-11
			11-9		12-11
			12-9		315-2
			13-5		316-2
	11101-93J13	1-1	11117-93J10	1-10	317-2
		2-1	11119-93J00	2-10	318-2
		3-1		3-10	319-2
		4-1		4-10	320-2
		5-1		5-10	321-2
		6-1		6-10	322-2
		7-1		7-10	323-2
	8-1		8-10	324-2	
	9-1		9-10	325-2	
	10-1		10-10	326-2	
	11-1		11-10	1-12	
11103-93J13	12-1	11128-90J00	12-10	2-12	
	1-5		1-2	3-12	
	2-5		1-6	4-12	
	3-5		2-2	5-12	
	4-5		2-6	6-12	
	5-5		3-2	7-12	
	6-5		3-6	8-12	
	7-5		4-2	9-12	
	8-5		4-6	10-12	
	9-5		5-2	11-12	
	10-5		5-6	12-12	
	11-5		6-2	315-3	
	12-5		6-6	316-3	
11112-93J00	13-4		7-2	317-3	
11115-93J10-001	1-40		7-6	318-3	
	2-40		8-2	319-3	
	3-40		8-6	320-3	
	4-40		9-2	321-3	
	5-40		9-6	322-3	
	6-40		10-2	323-3	
	7-40		10-6	324-3	
	8-40		11-2	325-3	
	9-41		11-6	326-3	
	10-41		12-2	1-22	
	11-41		12-6	2-22	
11116-93J01	12-41	11141-93J10	1-11	3-22	
	1-9		2-11	4-22	
	2-9		3-11	5-22	
	3-9		4-11	6-22	
	4-9		5-11	7-22	
	5-9		6-11	8-22	
	6-9		7-11	9-22	
	7-9		8-11	10-22	
	8-9		9-11	11-22	

PART NO.	FIG.NO.-REF.NO.	PART NO.	FIG.NO.-REF.NO.	PART NO.	FIG.NO.-REF.NO.
			12-22		2-23
11173-93J00	1-24		2-24		3-23
	3-24		3-24		4-23
	4-24		4-24		5-23
	5-24		5-24		6-23
	6-24	11180-93J22	6-24		7-23
	7-24		7-24		8-23
	8-24		8-24		9-23
	9-24		9-24		10-23
	10-24		10-24	11196-93J00	11-23
	11-24	11183-93J00	11-24		12-23
	12-24		12-24		1-25
11174-93J00	1-31		1-31		2-25
	2-31		2-31		3-25
	3-31		3-31		4-25
	4-31		4-31		5-25
	5-31		5-31		6-25
	6-31		6-31		7-25
	7-31		7-31		8-25
	8-31		8-31		9-25
	9-32		9-32		10-25
	10-32		10-32		11-25
	11-32	11184-93J00	11-32		12-25
	12-32		12-32		1-38
11179-93J00	1-26		1-26		2-38
	2-26		2-26		3-38
	3-26		3-26		4-38
	4-26		4-26		5-38
	5-26		5-26		6-38
	6-26		6-26		7-38
	7-26		7-26		8-38
	8-26		8-26		9-39
	9-26		9-26		10-39
	10-26		10-26		11-39
	11-26	11189-93J00	11-26		12-39
	12-26		12-26		1-27
	315-4		315-4		2-27
	316-4		316-4		3-27
	317-4		317-4		4-27
	318-4		318-4		5-27
	319-4		319-4		6-27
	320-4		320-4		7-27
	321-4		321-4		8-27
	322-4		322-4		9-27
	323-4		323-4		10-27
	324-4		324-4		11-27
	325-4		325-4		12-27
	326-4		326-4		315-5
11180-93J02	1-23		1-23		316-5
					317-5
					318-5
					319-5
					320-5
					321-5
					322-5
					323-5
					324-5
					325-5
					326-5
					79-1
					79-2
					13-6
					1-14
					2-14
					3-14
					4-14
					5-14
					6-14
					7-14
					8-14
					9-14
					10-14
					11-14
					12-14
					42-5
					94-1
					79-3
					79-4
					315-10
					316-10
					317-10
					318-10
					319-10
					320-10
					321-10
					322-10
					323-10
					324-10
					325-10
					326-10
					1-36
					2-36
					3-36
					4-36
					5-36
					6-36
					7-36
					8-36
					9-37
					10-37

PART NO.	FIG.NO.-REF.NO.	PART NO.	FIG.NO.-REF.NO.	PART NO.	FIG.NO.-REF.NO.
11291-98J00	11-37		323-1		21-6
	12-37		324-1		22-6
	1-41		325-1		23-6
	2-41		326-1		24-6
	3-41	11435-93J00	94-14		25-6
	4-41	11489-93J00	94-6	11541-93J00-0EP	94-9
	5-41		315-11	11591-93J10	94-8
	6-41		316-11	12100-93J00-050	26-14
	7-41		317-11	12100-98810-025	26-6-2
	8-41		318-11	12100-98810-0A0	26-6-1
9-42		319-11	12111-93J02-0B0	26-1	
10-42		320-11	12140-93J00	26-2	
11-42		321-11	12140-93J00-050	26-15	
12-42		322-11	12151-93J10	26-3	
11293-98J00	13-1		323-11	12160-93J01	26-5
11301-93J11	13-3		324-11	12220-93J01	26-7
11330-93J01	13-18		325-11	12242-93J01	26-10
11332-93J00	13-19		326-11	12300-85830	26-9-1
	315-6	11501-93J02-0EP	94-7	12300-85830-012	26-9-2
	316-6	11510-93J03	14-1	12300-86812-0BA	26-8-6
	317-6		15-1	12300-86812-0CA	26-8-7
	318-6		16-1	12300-86812-0DA	26-8-8
	319-6		17-1	12300-86812-0EA	26-8-9
	320-6		18-1	12300-86812-0FA	26-8-10
	321-6		19-1	12340-86FA2-0B0	26-8-1
	322-6		20-1	12340-86FA2-0C0	26-8-2
	323-6		21-1	12340-86FA2-0D0	26-8-3
	324-6		22-1	12340-86FA2-0E0	26-8-4
	325-6		23-1	12340-86FA2-0F0	26-8-5
	326-6		24-1	12632-93J11	93-1
11382-93J00	1-33		25-1	12701-93J30	28-1
	2-33	11515-93J00	14-4		29-1
	3-33		15-4		30-1
	4-33		16-4		31-1
	5-33		17-4	12701-93J40	32-1
	6-33		18-4		33-1
	7-33		19-4		34-1
	8-33		20-4		35-1
	9-34		21-4	12701-93J50	36-1
	10-34		22-4		37-1
	11-34		23-4		38-1
	12-34		24-4		39-1
11410-93871	315-1		25-4	12705-93J30	28-2
	316-1	11516-93J00	14-6		29-2
	317-1		15-6		30-2
	318-1		16-6		31-2
	319-1		17-6	12705-93J40	32-2
	320-1		18-6		33-2
	321-1		19-6		34-2
	322-1		20-6		35-2

PART NO.	FIG.NO.-REF.NO.	PART NO.	FIG.NO.-REF.NO.	PART NO.	FIG.NO.-REF.NO.
12705-93J50	36-2		36-6		33-14-1
	37-2		37-6		34-14-1
	38-2		38-6		35-14-1
	39-2		39-6		36-15-1
12721-93J30	28-3	12749-93J00	28-7		37-15-1
	29-3		29-7		38-15-1
	30-3		30-7		39-15-1
	31-3		31-7	12892-93J00-220	28-14-2
	32-3		32-7		29-14-2
	33-3		33-7		30-14-2
	34-3		34-7		31-14-2
	35-3		35-7		32-14-2
12721-93J50	36-3		36-8		33-14-2
	37-3		37-8		34-14-2
	38-3		38-8		35-14-2
	39-3		39-8		36-15-2
12725-93J30	28-4	12753-93J00	36-7		37-15-2
	29-4		37-7		38-15-2
	30-4		38-7		39-15-2
	31-4		39-7	12892-93J00-223	28-14-3
	32-4	12761-93J00	27-8		29-14-3
	33-4	12762-93J00	27-9		30-14-3
	34-4	12770-93J00	27-10		31-14-3
	35-4	12771-93J00	27-14		32-14-3
12729-93J50	36-4	12772-93J00	27-16		33-14-3
	37-4	12775-93J00	27-15		34-14-3
	38-4	12778-93J00	27-11		35-14-3
	39-4	12810-93J00	27-18		36-15-3
12730-93J01	27-1	12812-90J00	27-20		37-15-3
12734-93J00	27-5	12813-73G00	27-19		38-15-3
12740-93J00	36-5	12831-93J01	27-22		39-15-3
	37-5	12832-93J00	27-23	12892-93J00-225	28-14-4
	38-5	12833-93J00	27-24		29-14-4
	39-5	12891-93J00	28-13		30-14-4
12742-93J10	28-5		29-13		31-14-4
	29-5		30-13		32-14-4
	30-5		31-13		33-14-4
	31-5		32-13		34-14-4
	32-5		33-13		35-14-4
	33-5		34-13		36-15-4
	34-5		35-13		37-15-4
	35-5		36-14		38-15-4
12748-93J00	28-6		37-14		39-15-4
	29-6		38-14	12892-93J00-228	28-14-5
	30-6		39-14		29-14-5
	31-6	12892-93J00-218	28-14-1		30-14-5
	32-6		29-14-1		31-14-5
	33-6		30-14-1		32-14-5
	34-6		31-14-1		33-14-5
	35-6		32-14-1		34-14-5

PART NO.	FIG.NO.-REF.NO.	PART NO.	FIG.NO.-REF.NO.	PART NO.	FIG.NO.-REF.NO.
	35-14-5		37-15-9		39-15-13
	36-15-5		38-15-9	12892-93J00-250	28-14-14
	37-15-5		39-15-9		29-14-14
	38-15-5	12892-93J00-240	28-14-10		30-14-14
	39-15-5		29-14-10		31-14-14
12892-93J00-230	28-14-6		30-14-10		32-14-14
	29-14-6		31-14-10		33-14-14
	30-14-6		32-14-10		34-14-14
	31-14-6		33-14-10		35-14-14
	32-14-6		34-14-10		36-15-14
	33-14-6		35-14-10		37-15-14
	34-14-6		36-15-10		38-15-14
	35-14-6		37-15-10		39-15-14
	36-15-6		38-15-10	12892-93J00-253	28-14-15
	37-15-6		39-15-10		29-14-15
	38-15-6	12892-93J00-243	28-14-11		30-14-15
	39-15-6		29-14-11		31-14-15
12892-93J00-233	28-14-7		30-14-11		32-14-15
	29-14-7		31-14-11		33-14-15
	30-14-7		32-14-11		34-14-15
	31-14-7		33-14-11		35-14-15
	32-14-7		34-14-11		36-15-15
	33-14-7		35-14-11		37-15-15
	34-14-7		36-15-11		38-15-15
	35-14-7		37-15-11		39-15-15
	36-15-7		38-15-11	12892-93J00-255	28-14-16
	37-15-7		39-15-11		29-14-16
	38-15-7	12892-93J00-245	28-14-12		30-14-16
	39-15-7		29-14-12		31-14-16
12892-93J00-235	28-14-8		30-14-12		32-14-16
	29-14-8		31-14-12		33-14-16
	30-14-8		32-14-12		34-14-16
	31-14-8		33-14-12		35-14-16
	32-14-8		34-14-12		36-15-16
	33-14-8		35-14-12		37-15-16
	34-14-8		36-15-12		38-15-16
	35-14-8		37-15-12		39-15-16
	36-15-8		38-15-12	12892-93J00-258	28-14-17
	37-15-8		39-15-12		29-14-17
	38-15-8	12892-93J00-248	28-14-13		30-14-17
	39-15-8		29-14-13		31-14-17
12892-93J00-238	28-14-9		30-14-13		32-14-17
	29-14-9		31-14-13		33-14-17
	30-14-9		32-14-13		34-14-17
	31-14-9		33-14-13		35-14-17
	32-14-9		34-14-13		36-15-17
	33-14-9		35-14-13		37-15-17
	34-14-9		36-15-13		38-15-17
	35-14-9		37-15-13		39-15-17
	36-15-9		38-15-13	12892-93J00-260	28-14-18

PART NO.	FIG.NO.-REF.NO.	PART NO.	FIG.NO.-REF.NO.	PART NO.	FIG.NO.-REF.NO.
	29-14-18		31-14-22		33-14-26
	30-14-18		32-14-22		34-14-26
	31-14-18		33-14-22		35-14-26
	32-14-18		34-14-22		36-15-26
	33-14-18		35-14-22		37-15-26
	34-14-18		36-15-22		38-15-26
	35-14-18		37-15-22		39-15-26
	36-15-18		38-15-22	12892-93J00-283	28-14-27
	37-15-18		39-15-22		29-14-27
	38-15-18	12892-93J00-273	28-14-23		30-14-27
	39-15-18		29-14-23		31-14-27
12892-93J00-263	28-14-19		30-14-23		32-14-27
	29-14-19		31-14-23		33-14-27
	30-14-19		32-14-23		34-14-27
	31-14-19		33-14-23		35-14-27
	32-14-19		34-14-23		36-15-27
	33-14-19		35-14-23		37-15-27
	34-14-19		36-15-23		38-15-27
	35-14-19		37-15-23		39-15-27
	36-15-19		38-15-23	12892-93J00-285	28-14-28
	37-15-19		39-15-23		29-14-28
	38-15-19	12892-93J00-275	28-14-24		30-14-28
	39-15-19		29-14-24		31-14-28
12892-93J00-265	28-14-20		30-14-24		32-14-28
	29-14-20		31-14-24		33-14-28
	30-14-20		32-14-24		34-14-28
	31-14-20		33-14-24		35-14-28
	32-14-20		34-14-24		36-15-28
	33-14-20		35-14-24		37-15-28
	34-14-20		36-15-24		38-15-28
	35-14-20		37-15-24		39-15-28
	36-15-20		38-15-24	12892-93J00-288	28-14-29
	37-15-20		39-15-24		29-14-29
	38-15-20	12892-93J00-278	28-14-25		30-14-29
	39-15-20		29-14-25		31-14-29
12892-93J00-268	28-14-21		30-14-25		32-14-29
	29-14-21		31-14-25		33-14-29
	30-14-21		32-14-25		34-14-29
	31-14-21		33-14-25		35-14-29
	32-14-21		34-14-25		36-15-29
	33-14-21		35-14-25		37-15-29
	34-14-21		36-15-25		38-15-29
	35-14-21		37-15-25		39-15-29
	36-15-21		38-15-25	12892-93J00-290	28-14-30
	37-15-21		39-15-25		29-14-30
	38-15-21	12892-93J00-280	28-14-26		30-14-30
	39-15-21		29-14-26		31-14-30
12892-93J00-270	28-14-22		30-14-26		32-14-30
	29-14-22		31-14-26		33-14-30
	30-14-22		32-14-26		34-14-30

PART NO.	FIG.NO.-REF.NO.	PART NO.	FIG.NO.-REF.NO.	PART NO.	FIG.NO.-REF.NO.
	35-14-30		37-15-34		39-19
	36-15-30		38-15-34	12932-24400	28-19
	37-15-30		39-15-34		29-19
	38-15-30	12911-93J00	28-15		30-19
	39-15-30		29-15		31-19
12892-93J00-293	28-14-31		30-15		32-19
	29-14-31		31-15		33-19
	30-14-31		32-15		34-19
	31-14-31		33-15		35-19
	32-14-31		34-15		36-20
	33-14-31		35-15		37-20
	34-14-31		36-16		38-20
	35-14-31		37-16		39-20
	36-15-31		38-16	12933-69G10	28-20
	37-15-31		39-16		29-20
	38-15-31	12915-93J10	28-16		30-20
	39-15-31		30-16		31-20
12892-93J00-295	28-14-32		32-16		32-20
	29-14-32		34-16		33-20
	30-14-32		36-17		34-20
	31-14-32		38-17		35-20
	32-14-32	12915-93J50	29-16		36-21
	33-14-32		31-16		37-21
	34-14-32		33-16		38-21
	35-14-32		35-16		39-21
	36-15-32		37-17	13110-93J00	40-1
	37-15-32		39-17	13119-93J00	40-2
	38-15-32		28-17		315-7
	39-15-32	12921-93J10	29-17		316-7
	28-14-33		30-17		317-7
12892-93J00-298	29-14-33		31-17		318-7
	30-14-33		32-17		319-7
	31-14-33		33-17		320-7
	32-14-33		34-17		321-7
	33-14-33		35-17		322-7
	34-14-33		36-18		323-7
	35-14-33		37-18		324-7
	36-15-33		38-18		325-7
	37-15-33		39-18		326-7
	38-15-33	12931-78G00	28-18		84-1
	39-15-33		29-18	13130-93J21	85-1
12892-93J00-300	28-14-34		30-18		86-1
	29-14-34		31-18		87-1
	30-14-34		32-18		88-1
	31-14-34		33-18		89-1
	32-14-34		34-18		90-1
	33-14-34		35-18		91-1
	34-14-34		36-19	13130-93J30	80-1
	35-14-34		37-19		81-1
	36-15-34		38-19		82-1

PART NO.	FIG.NO.-REF.NO.	PART NO.	FIG.NO.-REF.NO.	PART NO.	FIG.NO.-REF.NO.
	83-1		81-6		91-21
13132-93J00	84-56		82-6	13310-93J01	80-8
	85-56		83-6		81-8
	86-56	13144-93J00	80-20		82-8
	87-56		81-20		83-8
	88-56		82-20		84-17
	89-56		83-20		85-17
	90-56		84-32		86-17
	91-56		85-32		87-17
13133-93J00	84-57		86-32		88-17
	85-57		87-32		89-17
	86-57		88-32		90-17
	87-57		89-32		91-17
	88-57		90-32	13312-93J00	80-9
	89-57		91-32		81-9
	90-57	13147-93J00	80-3		82-9
	91-57		81-3		83-9
13138-93J00	80-4		82-3		84-18
	81-4		83-3		85-18
	82-4		84-3		86-18
	83-4		85-3		87-18
	84-13		86-3		88-18
	85-13		87-3		89-18
	86-13		88-3		90-18
	87-13		89-3		91-18
	88-13		90-3	13320-93J00	80-13
	89-13		91-3		81-13
	90-13	13279-10G00	80-10		82-13
	91-13		81-10		83-13
13139-93J00	80-2		82-10		84-22
	81-2		83-10		85-22
	82-2		84-19		86-22
	83-2		85-19		87-22
	84-2		86-19		88-22
	85-2		87-19		89-22
	86-2		88-19		90-22
	87-2		89-19		91-22
	88-2		90-19	13355-93J00	80-11
	89-2		91-19		81-11
	90-2	13295-10G00	80-12		82-11
	91-2		81-12		83-11
13140-93J03	84-15		82-12		84-20
	85-15		83-12		85-20
	86-15		84-21		86-20
	87-15		85-21		87-20
	88-15		86-21		88-20
	89-15		87-21		89-20
	90-15		88-21		90-20
	91-15		89-21		91-20
13140-93J13	80-6		90-21	13370-93J00	43-21

PART NO.	FIG.NO.-REF.NO.	PART NO.	FIG.NO.-REF.NO.	PART NO.	FIG.NO.-REF.NO.
	45-21		82-24		84-50
	47-21		83-24		85-50
	49-21		84-38		86-50
	51-21		85-38		87-50
	53-21		86-38		88-50
13370-93J10	44-17		87-38		89-50
	46-17		88-38		90-50
	48-17		89-38		91-50
	50-17		90-38	13553-93J00	80-26
	52-17		91-38		81-26
13421-93J00	54-17	13538-93J00	80-33		82-26
	80-14		81-33		83-26
	81-14		82-33		84-40
	82-14		83-33		85-40
	83-14		84-47		86-40
	84-23		85-47		87-40
	85-23		86-47		88-40
	86-23		87-47		89-40
	87-23		88-47		90-40
	88-23		89-47		91-40
	89-23		90-47	13554-93J00	80-27
	90-23		91-47		81-27
13510-93J00	91-23	13541-93J00	80-34		82-27
	92-1		81-34		83-27
13514-93J00	80-31		82-34		84-41
	81-31		83-34		85-41
	82-31		84-48		86-41
	83-31		85-48		87-41
	84-45		86-48		88-41
	85-45		87-48		89-41
	86-45		88-48		90-41
	87-45		89-48		91-41
	88-45		90-48	13555-93J00	80-23
	89-45		91-48		81-23
	90-45	13542-93J00	80-35		82-23
13521-93J00	91-45		81-35		83-23
	80-30		82-35		84-37
	81-30		83-35		85-37
	82-30		84-49		86-37
	83-30		85-49		87-37
	84-44		86-49		88-37
	85-44		87-49		89-37
	86-44		88-49		90-37
	87-44		89-49		91-37
	88-44		90-49	13580-93J02	169-1
	89-44		91-49		170-1
13537-93J00	90-44	13543-93J00	80-36		171-1
	91-44		81-36		172-1
	80-24		82-36		173-1
	81-24		83-36		174-1

PART NO.	FIG.NO.-REF.NO.	PART NO.	FIG.NO.-REF.NO.	PART NO.	FIG.NO.-REF.NO.
	175-1		147-1	14152-93J00	42-4
	176-1		148-1		315-9
	177-1		149-1		316-9
	178-1		150-1		317-9
	179-1		151-1		318-9
13583-93J00	180-1		152-1		319-9
	80-21		153-1		320-9
	80-22		154-1		321-9
	81-21		155-1		322-9
	81-22		156-1		323-9
	82-21	13655-87J00	145-2		324-9
	82-22		146-2		325-9
	83-21		147-2		326-9
	83-22		148-2	14154-93J01	94-10
	84-35		149-2	14211-93J00	94-11
	84-36		150-2	14212-93J00	94-12
	85-35		151-2		315-12
	85-36		152-2		316-12
	86-35		153-2		317-12
	86-36		154-2		318-12
	87-35		155-2		319-12
	87-36		156-2		320-12
	88-35	13710-93J00	41-1		321-12
	88-36	13730-93J00	84-24		322-12
	89-35		85-24		323-12
	89-36		86-24		324-12
	90-35		87-24		325-12
	90-36		88-24		326-12
	91-35		89-24	15100-94900	43-1
	91-36		90-24		44-1
13599-93J00	80-32		91-24		45-1
	81-32	13811-93J01	41-2		46-1
	82-32	13813-93J00	41-3		47-1
	83-32	13851-93J01	41-4		48-1
	84-46	13881-93J00	41-5		49-1
	85-46	14140-98J01	42-2		50-1
	86-46	14141-93J01	42-1		51-1
	87-46	14151-93J00	42-3		52-1
	88-46		315-8		53-1
	89-46		316-8		54-1
13614-93J00	90-46		317-8	15200-93J01	43-24
	91-46		318-8		45-24
	44-25		319-8		47-24
	46-25		320-8		49-24
	48-25		321-8		51-24
	50-25		322-8		53-24
	52-25		323-8	15200-93J11	44-20
	54-25		324-8		46-20
13650-52G00	145-1		325-8		48-20
	146-1		326-8		50-20

PART NO.	FIG.NO.-REF.NO.	PART NO.	FIG.NO.-REF.NO.	PART NO.	FIG.NO.-REF.NO.
15410-93J10	52-20	15415-93J10	43-4		45-33
	54-20		44-4		46-29
	43-2		45-4		47-33
	44-2		46-4		48-29
	45-2		47-4		49-33
	46-2		48-4		50-29
	47-2		49-4		51-33
	48-2		50-4		52-29
	49-2		51-4		53-33
	50-2		52-4		54-29
15411-93J10	51-2	15440-93J00	53-4	15628-99E00	43-32
	52-2		54-4		44-28
	53-2		43-11		45-32
	54-2		45-11		46-28
	43-3		47-11		47-32
	44-3		49-11		48-28
	45-3		51-11		49-32
	46-3		53-11		50-28
	47-3		44-7		51-32
	48-3		46-7		52-28
	49-3		48-7	15629-99E10	53-32
	50-3		50-7		54-28
	51-3		52-7		43-54
	52-3		54-7		44-50
	53-3		43-20		45-54
15412-93J10	54-3	15600-93J01	45-20		46-50
	43-5		47-20		47-54
	44-5		49-20		48-50
	45-5		51-20		49-54
	46-5		53-20		50-50
	47-5	15600-93J11	44-16		51-54
	48-5		46-16		52-50
	49-5		48-16		53-54
	50-5		50-16		54-50
	51-5		52-16		44-26
	52-5	15626-93J00	54-16	15631-99E10	46-26
	53-5		43-22		48-26
	54-5		45-22		50-26
	43-6		47-22		52-26
	44-6		49-22		54-26
15413-93J10	45-6		51-22	15632-93J20	43-44
	46-6		53-22		44-40
	47-6		44-18		45-44
	48-6		46-18		46-40
	49-6		48-18		47-44
	50-6		50-18		48-40
	51-6		52-18		49-44
	52-6		54-18		50-40
	53-6		43-33		51-44
	54-6		44-29		52-40

PART NO.	FIG.NO.-REF.NO.	PART NO.	FIG.NO.-REF.NO.	PART NO.	FIG.NO.-REF.NO.	
15633-93J20	53-44	15637-93J20	43-53		45-7	
	54-40		44-49		46-53	
	43-8		45-53		47-7	
	44-54		46-49		48-53	
	45-8		47-53		49-7	
	46-54		48-49		50-53	
	47-8		49-53		51-7	
	48-54		50-49		52-53	
	49-8		51-53		53-7	
	50-54		52-49		54-53	
	51-8	15641-90J00	53-53	15645-93J00	43-52	
	52-54		54-49		45-52	
	53-8		43-26		47-52	
	54-54		45-26		49-52	
	43-49		47-26		51-52	
15634-93J20	44-45		49-26		53-52	
	45-49		51-26		5645-93J10	44-48
	46-45		53-26		46-48	
	47-49		44-22		48-48	
	48-45		46-22		50-48	
	49-49		48-22		52-48	
	50-45		50-22		54-48	
	51-49		52-22		5646-93J00	43-9
	52-45		54-22		44-55	
	53-49		43-27		45-9	
15635-93J20	54-45	15642-90J00	44-23		46-55	
	43-43		45-27		47-9	
	44-39		46-23		48-55	
	45-43		47-27		49-9	
	46-39		48-23		50-55	
	47-43		49-27		51-9	
	48-39		50-23		52-55	
	49-43		51-27		53-9	
	50-39		52-23		54-55	
	51-43		53-27		5647-93J00	43-25
	52-39	15643-93J00	54-23		45-25	
	53-43		43-47		47-25	
	54-39		44-43		49-25	
	43-38		45-47		51-25	
	44-34		46-43		53-25	
15636-98J20	45-38		47-47	15647-93J10	44-21	
	46-34		48-43		46-21	
	47-38		49-47		48-21	
	48-34		50-43		50-21	
	49-38		51-47		52-21	
	50-34		52-43		54-21	
	51-38		53-47		5650-93J00	43-23
	52-34		54-43		44-19	
	53-38		43-7		45-23	
	54-34		44-53		46-19	

PART NO.	FIG.NO.-REF.NO.	PART NO.	FIG.NO.-REF.NO.	PART NO.	FIG.NO.-REF.NO.
	47-23		49-45		63-1
	48-19		50-41		64-1
	49-23		51-45		65-1
	50-19		52-41		66-1
	51-23		53-45	15683-87J00	43-55
	52-19		54-41		44-51
15654-99E00	53-23	15674-93J00	43-51		45-55
	54-19		44-47		46-51
	43-28		45-51		47-55
	44-24		46-47		48-51
	45-28		47-51		49-55
	46-24		48-47		50-51
	47-28		49-51		51-55
	48-24		50-47		52-51
	49-28		51-51		53-55
	50-24		52-47		54-51
	51-28		53-51	15684-98J00	55-22
	52-24		54-47		56-22
	53-28	15675-93J00	43-35		57-22
	54-24		44-31		58-22
15671-93J00	43-64		45-35		59-22
	44-60		46-31		60-22
	45-64		47-35		61-22
	46-60		48-31		62-22
	47-64		49-35		63-22
	48-60		50-31		64-22
	49-64		51-35		65-22
	50-60		52-31		66-22
	51-64		53-35	15685-93J00	43-40
	52-60		54-31		44-36
	53-64	15680-93J21	55-19		45-40
	54-60		56-19		46-36
15672-93J00	43-41		57-19		47-40
	44-37		58-19		48-36
	45-41		59-19		49-40
	46-37		60-19		50-36
	47-41		61-19		51-40
	48-37		62-19		52-36
	49-41		63-19		53-40
	50-37		64-19		54-36
	51-41		65-19	15686-93J00	43-39
	52-37		66-19		44-35
	53-41	15681-93J01	55-1		45-39
	54-37		56-1		46-35
15673-98J00	43-45		57-1		47-39
	44-41		58-1		48-35
	45-45		59-1		49-39
	46-41		60-1		50-35
	47-45		61-1		51-39
	48-41		62-1		52-35

PART NO.	FIG.NO.-REF.NO.	PART NO.	FIG.NO.-REF.NO.	PART NO.	FIG.NO.-REF.NO.
	53-39	15756-93J01	55-6		51-16
15710-93J00	54-35		56-6		52-12
	55-2		57-6		53-16
	56-2		58-6		54-12
	57-2		59-6	15773-90J00	43-13
	58-2		60-6		44-9
	59-2		61-6		45-13
	60-2		62-6		46-9
	61-2		63-6		47-13
	62-2		64-6		48-9
	63-2		65-6		49-13
	64-2		66-6		50-9
	65-2	15760-93J00	43-31		51-13
	66-2		44-27		52-9
15717-16G00	55-3		45-31		53-13
	56-3		46-27		54-9
	57-3		47-31	15830-77EA0	55-8
	58-3		48-27		57-8
	59-3		49-31		59-8
	60-3		50-27		61-8
	61-3		51-31		63-8
	62-3		52-27		65-8
	63-3		53-31	15830-90J00	44-15
	64-3		54-27		46-15
	65-3	15762-90J00	44-13		48-15
	66-3		46-13		50-15
15735-58B00	55-4		48-13		52-15
	56-4		50-13		54-15
	57-4		52-13	15830-93J00	43-14
	58-4		54-13		44-10
	59-4	15762-93J00	55-7		45-14
	60-4		57-7		46-10
	61-4		59-7		47-14
	62-4		61-7		48-10
	63-4		63-7		49-14
	64-4		65-7		50-10
	65-4	15762-93J10	56-7		51-14
	66-4		58-7		52-10
15751-93J00	55-5		60-7		53-14
	56-5		62-7		54-10
	57-5		64-7	15831-93J00	55-9
	58-5		66-7		56-9
	59-5	15770-93J00	43-16		57-9
	60-5		44-12		58-9
	61-5		45-16		59-9
	62-5		46-12		60-9
	63-5		47-16		61-9
	64-5		48-12		62-9
	65-5		49-16		63-9
	66-5		50-12		64-9

PART NO.	FIG.NO.-REF.NO.	PART NO.	FIG.NO.-REF.NO.	PART NO.	FIG.NO.-REF.NO.
15832-93J00	65-9		35-11		71-3
	66-9	16700-93J00	13-11		72-3
	56-8	16712-93J00	13-15		73-3
	58-8	16721-93J00	13-16		74-3
	60-8	16760-93J00	93-5		75-3
16113-93J10	62-8	16781-93J00	93-6	17461-93J00	76-3
	64-8	16782-93J00	93-7		77-3
	66-8	16783-93J01	93-8		78-3
	93-2	16910-93J00	94-25		67-4
	16400-93J02	16930-93J00	94-26		68-4
	16430-93J00	17400-93J01	67-18		69-4
	16431-93J00		68-18		70-4
	16433-93J00		69-18		71-4
	16510-96J00		70-18		72-4
	16519-93J00		71-18		73-4
16520-93J00	237-2		72-18		74-4
	238-2		73-18		75-4
	239-2		74-18		76-4
	240-2		75-18		77-4
	241-2		76-18		78-4
	242-2		77-18	17471-93J01	67-5
	243-2		78-18		69-5
	244-2		67-1		71-5
	245-2	17410-93J00	68-1		73-5
	246-2		69-1		75-5
247-2		70-1	77-5		
248-2		71-1	68-5		
93-4		72-1	70-5		
36-11		73-1	72-5		
37-11		74-1	74-5		
16551-93J00	38-11		75-1		76-5
	39-11		76-1	17472-93J00	78-5
	28-10		77-1		67-6
	29-10		78-1		68-6
	30-10		67-2		69-6
31-10	17413-93J02	69-2	70-6		
16555-93J00	32-10		71-2		71-6
	33-10		73-2		72-6
	34-10		75-2		73-6
	35-10		77-2		74-6
	36-12		68-2		75-6
	37-12	17413-93J12	70-2		76-6
	38-12		72-2		77-6
16559-93J00	39-12		74-2		78-6
	28-11		76-2	17561-93J03	67-7-1
	29-11		78-2		68-7-1
	30-11	17416-93J00	67-3		69-7-1
31-11		68-3	70-7		
16520-93J00	32-11		69-3		71-7-1
	33-11		70-3		72-7-1
	34-11				

PART NO.	FIG.NO.-REF.NO.	PART NO.	FIG.NO.-REF.NO.	PART NO.	FIG.NO.-REF.NO.
17561-93J13	73-7-1		75-10		74-12-2
	74-7-1		76-10		75-12-2
	75-7-1		77-10		76-12-2
	76-7-1		78-10		77-12-2
	77-7-1	17566-87D11	263-9		78-12-2
	78-7-1		264-6	17632-93J20	67-13-1
	67-7-2		265-12		68-13-1
	69-7-2		266-9		69-13-1
	71-7-2		267-9		70-13-1
	72-7-2		268-9		71-13-1
73-7-2		269-12	72-13-1		
74-7-2		270-12	73-13-1		
75-7-2		271-9	74-13-1		
76-7-2		272-9	75-13-1		
77-7-2		273-12	76-13-1		
17561-93J21	78-7-2		274-12		77-13-1
	67-7-3	17581-93J00	79-5	17632-93J30	78-13-1
	68-7-2	17582-93J00	79-6		67-13-2
	67-8	17611-90J00-0EP	79-7		68-13-2
	68-8	17612-93J00	67-11		69-13-2
69-8		68-11	70-13-2		
17562-93J00	70-8		69-11		71-13-2
	71-8		70-11		72-13-2
	72-8		71-11		73-13-2
	73-8		72-11		74-13-2
	74-8		73-11		75-13-2
	75-8		74-11		76-13-2
	76-8		75-11		77-13-2
	77-8		76-11		78-13-2
	78-8		77-11	17680-99E01	79-8
	67-9	17631-93J20	78-11	17670-90J00	79-9-1
17563-93J00	68-9		67-12-1		17670-90J10
	69-9		68-12-1		79-9-2
	70-9		69-12-1		17681-93J00
	71-9		70-12-1		17711-90J00
	72-9		71-12-1		17712-93J00
	73-9		72-12-1		17713-98J00
	74-9		73-12-1		17895-93J00
	75-9		74-12-1		17913-93J00
	76-9		75-12-1		238-3
	77-9		76-12-1		239-3
17564-93J00	78-9		77-12-1		240-3
	67-10		78-12-1		241-3
	68-10	17631-93J30	67-12-2		242-3
	69-10		68-12-2		243-3
	70-10		69-12-2		244-3
	71-10		70-12-2		245-3
	72-10		71-12-2		246-3
	73-10		72-12-2		247-3
	74-10		73-12-2		248-3

PART NO.	FIG.NO.-REF.NO.	PART NO.	FIG.NO.-REF.NO.	PART NO.	FIG.NO.-REF.NO.
	276-44		87-4		48-65
	277-44		88-4		49-69
	278-44		89-4		50-65
	279-44		90-4		51-69
	280-44		91-4		52-65
	281-44	18117-52G10	43-68		53-69
	282-44		44-64	18498-87JC0	54-65
	283-44		45-68		43-60
	284-44		46-64		44-71
	285-44		47-68		45-60
	286-44		48-64		46-71
	287-44		49-68		47-60
17914-93J00	288-44		50-64		48-71
	237-4		51-68		49-60
	238-4		52-64		50-71
	239-4		53-68		51-60
	240-4		54-64		52-71
	241-4	18117-93J00	84-5		53-60
	242-4		85-5		54-71
	243-4		86-5		305-10
	244-4		87-5	18498-90J00	84-12
	245-4		88-5		85-12
	246-4		89-5		86-12
	247-4		90-5		87-12
	248-4		91-5		88-12
	275-45	18119-93J00	84-6		89-12
	276-45		85-6		90-12
	277-45		86-6		91-12
	278-45		87-6	18498-93J00	55-10
	279-45		88-6		56-10
	280-45		89-6		57-10
	281-45		90-6		58-10
	282-45		91-6		59-10
	283-45	18137-93J00	80-15		60-10
	284-45		81-15		61-10
	285-45		82-15		62-10
	286-45		83-15		63-10
	287-45		84-25		64-10
	288-45		85-25		65-10
17915-98J01	79-38		86-25		66-10
17917-87L00	264-31		87-25	18590-68H00	80-7
	266-34		88-25		81-7
	268-34		89-25		82-7
	270-37		90-25		83-7
	272-34		91-25		84-16
	274-37	18417-93J00	43-69		85-16
	305-3		44-65		86-16
18116-93J00	84-4		45-69		87-16
	85-4		46-65		88-16
	86-4		47-69		89-16

PART NO.	FIG.NO.-REF.NO.	PART NO.	FIG.NO.-REF.NO.	PART NO.	FIG.NO.-REF.NO.
	90-16		106-3		208-1
	91-16	21155-93J00	95-4	23111-93J00	95-7-1
19115-93J01	92-2		96-4		96-7-1
19121-93J02	92-3		97-4		97-7
19148-93J00	92-4		98-4		98-7
19184-93J00	92-5		99-4		99-7
19185-93J00	92-6		100-4		100-7
			101-4		101-7
			102-4		102-7
			103-4		103-7
			104-4		104-7
			105-4		105-7
			106-4		106-7
20000		21210-93J00	95-5	23111-93J10	95-7-2
			96-5		96-7-2
21100-93J01	95-1		97-5	23115-93J00	95-8
	96-1		98-5		96-8
	97-1		99-5		97-8
	98-1		100-5		98-8
	99-1		101-5		99-8
	100-1		102-5		100-8
	101-1		103-5		101-8
	102-1		104-5		102-8
	103-1		105-5		103-8
	104-1		106-5		104-8
	105-1	21230-93J00	95-6		105-8
	106-1		96-6		106-8
21131-93J00	95-2		97-6	25111-93J00	107-1-1
	96-2		98-6		108-1
	97-2		99-6		109-1-1
	98-2		100-6		110-1
	99-2		101-6		111-1-1
	100-2		102-6		112-1-1
	101-2		103-6		113-1-1
	102-2		104-6		114-1-1
	103-2		105-6		115-1-1
	104-2		106-6		116-1-1
	105-2	22511-99011	195-1		117-1-1
	106-2		196-1		118-1-1
21151-93J00	95-3		197-1	25111-93J10	107-1-2
	96-3		198-1		109-1-2
	97-3		199-1		111-1-2
	98-3		200-1		112-1-2
	99-3		201-1		113-1-2
	100-3		202-1		114-1-2
	101-3		203-1		115-1-2
	102-3		204-1		116-1-2
	103-3		205-1		117-1-2
	104-3		206-1		118-1-2
	105-3		207-1	25131-93J00	107-2

PART NO.	FIG.NO.-REF.NO.	PART NO.	FIG.NO.-REF.NO.	PART NO.	FIG.NO.-REF.NO.
	108-2		110-3		251-25
	109-2		111-3		252-21
	110-2		112-3		253-25
	111-2		113-3		254-25
	112-2		114-3		255-25
	113-2		115-3		256-25
	114-2		116-3		257-25
	115-2		117-3		258-25
	116-2		118-3		259-25
	117-2	25321-93J00	107-8		260-25
	118-2		108-8	29103-93J30	94-3
25141-93J00	107-5		109-8	29116-93J00	94-13
	108-5		110-8		107-9
	109-5		111-8		108-9
	110-5		112-8		109-9
	111-5		113-8		110-9
	112-5		114-8		111-9
	113-5		115-8		112-9
	114-5		116-8		113-9
	115-5		117-8		114-9
	116-5		118-8		115-9
	117-5	25700-93J00	263-33		116-9
	118-5		264-30		117-9
25223-94400	95-9		265-36		118-9
	96-9		266-33	29125-93J00	169-14
	97-9		267-33		170-14
	98-9		268-33		171-14
	99-9		269-36		172-14
	100-9		270-36		173-14
	101-9		271-33		174-14
	102-9		272-33		175-14
	103-9		273-36		176-14
	104-9		274-36		177-14
	105-9	29103-93J00	94-23		178-14
	106-9		145-8		179-14
	107-6		145-18		180-14
	108-6		146-8	29141-93J20	209-25
	109-6		146-18		210-25
	110-6		147-8		211-25
	111-6		148-8		212-25
	112-6		149-8		213-25
	113-6		150-8		214-25
	114-6		151-8		215-25
	115-6		152-8		216-25
	116-6		153-8		217-25
	117-6		154-8		218-25
	118-6		155-8		219-25
25232-96302	107-3		156-8		220-25
	108-3		249-25		221-20
	109-3		250-21		222-20

PART NO.	FIG.NO.-REF.NO.	PART NO.	FIG.NO.-REF.NO.	PART NO.	FIG.NO.-REF.NO.
	261-4		260-24		233-4
	262-4	29404-93J20	145-16		234-4
	263-7		146-16		235-5
	265-10				236-5
	267-7			31133-94900	223-5
	268-7				224-5
	269-10				225-5
	270-10				226-5
	271-7				227-5
	272-7				228-5
	273-10				229-5
	274-10				230-5
29404-93J10	94-24				231-5
	145-11				232-5
	146-11				233-5
	147-11				234-5
	148-11				235-6
	149-11				236-6
	150-11				237-6
	151-11				238-6
	152-11				239-6
	153-11				240-6
	154-11				241-6
	155-11				242-6
	156-11				243-6
	157-19				244-6
	158-19				245-6
	159-19				246-6
	160-19				247-6
	161-19				248-6
	162-19				249-6
	163-19				250-6
	164-19				251-6
	165-19				252-6
	166-19				253-6
	167-19				254-6
	168-19				255-6
	235-20				256-6
	236-20				257-6
	237-20				258-6
	238-20				259-6
	239-20				260-6
	240-20				261-6
	241-20				262-6
	242-20				263-6
	243-20				264-6
	244-20				265-6
	245-20				266-6
	246-20				267-6
	247-20				268-6
	248-20				269-6
	249-20				270-6
	250-20				271-6
	251-24				272-6
	252-20				273-6
	253-24				274-6
	254-24				275-6
	255-24				276-6
	256-24				277-6
	257-24				278-6
	258-24				279-6
	259-24				280-6
					281-6
					282-6
					283-6
					284-6
					285-6
					286-6
					287-6
					288-6
					289-6
					290-6
					291-6
					292-6
					293-6
					294-6
					295-6
					296-6
					297-6
					298-6
					299-6
					300-6
					301-6
					302-6
					303-6
					304-6
					305-6
					306-6
					307-6
					308-6
					309-6
					310-6
					311-6
					312-6
					313-6
					314-6
					315-6
					316-6
					317-6
					318-6
					319-6
					320-6
					321-6
					322-6
					323-6
					324-6
					325-6
					326-6
					327-6
					328-6
					329-6
					330-6
					331-6
					332-6
					333-6
					334-6
					335-6
					336-6
					337-6
					338-6
					339-6
					340-6
					341-6
					342-6
					343-6
					344-6
					345-6
					346-6
					347-6
					348-6
					349-6
					350-6
					351-6
					352-6
					353-6
					354-6
					355-6
					356-6
					357-6
					358-6
					359-6
					360-6
					361-6
					362-6
					363-6
					364-6
					365-6
					366-6
					367-6
					368-6
					369-6
					370-6
					371-6
					372-6
					373-6
					374-6
					375-6
					376-6
					377-6
					378-6
					379-6
					380-6
					381-6
					382-6
					383-6
					384-6
					385-6
					386-6
					387-6
					388-6
					389-6
					390-6
					391-6
					392-6
					393-6
					394-6
					395-6
					396-6
					397-6
					398-6
					399-6
					400-6

PART NO.	FIG.NO.-REF.NO.	PART NO.	FIG.NO.-REF.NO.	PART NO.	FIG.NO.-REF.NO.
31170-90J00	131-19	31343-90J00	131-14		139-7
31171-96J00	131-7	31344-90J00	131-15		140-7
31173-90J01	131-8	31360-93J01	131-16		141-7
31173-94910	223-8	31912-93J01	131-20		142-7
	224-8	31913-93J00	131-17		143-7
	225-8	31914-93J00	131-18	32800-93J03	144-1
	226-8	31918-90J10	131-21	32805-93J00	144-2
	227-8	32102-93J02	132-1	32890-93J01	144-3
	228-8		133-1	32891-93J00	144-4
	229-8		134-1	33220-69J00	132-9
	230-8		135-1		133-9
	231-8		136-1		134-9
	232-8		137-1		135-9
	233-8		138-1		136-9
	234-8		139-1		137-9
	235-3		140-1		138-9
31191-96J00	236-3		141-1		139-9
31220-94J00	131-9		142-1		140-9
31281-92J10	131-10		143-1		141-9
	223-11	32120-93J00	132-4		142-9
	224-11		133-4	33221-42F00	143-9
	225-11		134-4		132-10
	226-11		135-4		133-10
	227-11		136-4		134-10
	228-11		137-4		135-10
	229-11		138-4		136-10
	230-11		139-4		137-10
	231-11		140-4		138-10
	232-11		141-4		139-10
	233-11		142-4		140-10
	234-11		143-4		141-10
	235-11	32131-93J00	132-5		142-10
	236-11		133-5		143-10
31310-90J00	131-11		134-5	33410-93J00	144-9
31311-93J00	223-9		135-5	33634-96J00	157-9
	224-9		136-5		158-9
	225-9		137-5		159-9
	226-9		138-5		160-9
	227-9		139-5		161-9
	228-9		140-5		162-9
	229-9		141-5		163-9
	230-9		142-5		164-9
	231-9		143-5		165-9
	232-9	32160-88L00	132-7		166-9
	233-9		133-7		167-9
	234-9		134-7		168-9
31311-94900	235-10		135-7	33799-97E00	223-10
	236-10		136-7		224-10
31320-93J00	131-12		137-7		225-10
31341-93J00	131-13		138-7		226-10

PART NO.	FIG.NO.-REF.NO.	PART NO.	FIG.NO.-REF.NO.	PART NO.	FIG.NO.-REF.NO.
	227-10	34100-93J40	304-3-5	34810-88L00	327-8
	228-10	34100-93J51	304-3-6	34813-93J00	145-17
	229-10	34100-93J60	304-3-7		146-17
	230-10	34190-87D00	304-23	34830-87J20	145-4
	231-10	34190-88L00	327-1		145-5
	232-10	34190-95500	304-24		146-4
	233-10	34191-92E00	304-5		146-5
	234-10		304-17		147-4
	235-9	34193-88L00	327-2		147-5
	236-9	34193-88L20	327-3		148-4
33810-93J01	157-1	34193-88L40	327-4		148-5
	158-1	34193-88L60	327-5		149-4
	159-1	34200-87L10	304-26		149-5
	160-1	34200-88L01	327-18		150-4
	161-1	34200-93J00	303-3-1		150-5
	162-1		304-20-1		151-4
	163-1	34200-93J11	303-3-2		151-5
	164-1		304-20-2		152-4
	165-1	34300-93J00	304-10-1		152-5
	166-1	34300-93J11	304-10-2		153-4
	167-1	34310-92E00	304-11		153-5
33920-93JM0	168-1	34360-92E00	304-12		154-4
	170-18	34455-88L00	327-6		154-5
	172-18	34455-88L10	327-7		155-4
	174-18	34500-93J00	304-14-1		155-5
	176-18	34500-93J11	304-14-2		156-4
	178-18	34600-93J00	304-8-1		156-5
	180-18	34600-93J11	304-8-2	34922-88L00	327-19
33920-93JN0	169-18	34650-93J20	304-16-1		327-24
	171-18	34650-93J31	304-16-2	34960-88L00	327-9
	173-18	34660-93J00	305-5	36610-93JN1	157-8
	175-18	34800-88L01	327-23		158-8
	177-18	34800-93J00	303-1-1		159-8
	179-18		304-1-1		160-8
33925-93J00	169-19	34800-93J11	303-1-2	36610-93JP1	161-8
	170-19		304-1-2		162-8
	171-19	34801-93J03	145-3		163-8
	172-19		146-3		164-8
	173-19		147-3	36610-93JR1	165-8
	174-19		148-3		166-8
	175-19		149-3		167-8
	176-19		150-3		168-8
	177-19		151-3	36615-96300	303-4
	178-19		152-3		304-7
	179-19		153-3		304-21
	180-19		154-3		304-28
34100-93J00	304-3-1		155-3	36616-93J01	157-3
34100-93J11	304-3-2		156-3		158-3
34100-93J20	304-3-3	34801-99E04	145-13		159-3
34100-93J31	304-3-4		146-13		160-3

PART NO.	FIG.NO.-REF.NO.	PART NO.	FIG.NO.-REF.NO.	PART NO.	FIG.NO.-REF.NO.
	161-3		163-15	36646-93J01	307-2
	162-3		164-15	36647-93J00	157-34
	163-3		165-15		158-34
	164-3		166-15		159-34
	165-3		167-15		160-34
	166-3		168-15		161-34
	167-3	36617-93J40	157-16		162-34
	168-3		158-16		163-34
36617-93J00	157-12		159-16		164-34
	158-12		160-16		165-34
	159-12		161-16		166-34
	160-12		162-16		167-34
	161-12		163-16		168-34
	162-12		164-16	36661-87L00	304-27
	163-12		165-16	36662-88L00	327-25
	164-12		166-16	36662-88L10	327-10
	165-12		167-16	36662-88L20	327-11
	166-12		168-16	36662-88L30	327-12
	167-12	36620-93J02	307-55-1	36663-88L00	327-20
	168-12	36620-93J10	305-1-1		327-26
36617-93J10	157-13	36620-93J30	305-2	36663-88L10	327-13
	158-13	36620-93J40	305-1-2	36663-98J00	304-31
	159-13	36620-93J52	307-55-2	36663-98J10	304-32
	160-13	36620-93J62	307-55-3	36664-88L00	327-17
	161-13	36625-93J00	157-30-2	36665-88L00	304-29
	162-13		158-30-2		327-21
	163-13		159-30-2		327-27
	164-13		160-30-2	36665-88L10	304-30
	165-13		161-30-2		327-22
	166-13		162-30-2		327-28
	167-13		163-30-2	36666-87L00	304-34
	168-13		164-30-2	36666-88L00	327-14
36617-93J20	157-14		165-30-2	36666-88L10	327-15
	158-14		166-30-2	36668-88L00	327-29
	159-14		167-30-2	36865-90J00	157-25
	160-14		168-30-2		158-25
	161-14	36625-93J10	157-30-1		159-25
	162-14		158-30-1		160-25
	163-14		159-30-1		161-25
	164-14		160-30-1		162-25
	165-14		161-30-1		163-25
	166-14		162-30-1		164-25
	167-14		163-30-1		165-25
	168-14		164-30-1		166-25
36617-93J30	157-15		165-30-1		167-25
	158-15		166-30-1		168-25
	159-15		167-30-1	36890-93J00	310-16
	160-15		168-30-1		312-23
	161-15	36628-92E00	307-3	36890-93J10	308-15
	162-15	36645-93J00	131-22	36894-87D00	181-24

PART NO.	FIG.NO.-REF.NO.	PART NO.	FIG.NO.-REF.NO.	PART NO.	FIG.NO.-REF.NO.
	182-24		260-11		307-5-5
	183-24		261-19	37141-99E50	306-13-6
	184-24		262-19		307-5-6
	185-24	36895-87D01	209-32	37141-99E60	306-13-7
	186-24		209-33		307-5-7
	187-24		210-32	37141-99E70	306-13-8
	188-24		210-33		307-5-8
	189-24		211-32	37141-99E80	306-13-9
	190-24		211-33		307-5-9
	191-24		212-32	37141-99E90	306-13-10
	192-24		212-33		307-5-10
	195-2		213-32	37141-99EA0	306-13-11
	196-2		213-33		307-5-11
	197-2		214-32	37141-99EB0	306-13-12
	198-2		214-33		307-5-12
	199-2		215-32	37143-99E00	306-14
	200-2		215-33		307-6
	201-2		216-32	37149-93J00	306-15
	202-2		216-33		307-7
	203-2		217-32	37210-93J00	306-9
	204-2		217-33	37212-93J00	306-10
	205-2		218-32	37220-92E00	308-16
	206-2		218-33	37221-92E10	309-11
	207-2		219-32	37721-93J00	169-5
	208-2		219-33		170-5
	209-31		220-32		171-5
	210-31		220-33		172-5
	211-31	36895-87D10	207-13		173-5
	212-31		208-13		174-5
	213-31		221-27		175-5
	214-31		222-27		176-5
	215-31	36990-87D00	304-35		177-5
	216-31	37100-96J00	306-1		178-5
	217-31	37100-96J13	306-11		179-5
	218-31	37100-96J23	306-21		180-5
	219-31	37110-93J00	306-12	37721-93J90	307-8
	220-31		306-22	37721-95500	311-11
	221-24	37110-93J10	307-4		313-12
	222-24	37139-99E00	306-2	37722-93J11	169-12
	249-11	37139-99E10	306-17		170-12
	250-7	37139-99E20	306-24		171-12
	251-11	37141-99E00	306-13-1		172-12
	252-7		307-5-1		173-12
	253-11	37141-99E10	306-13-2		174-12
	254-11		307-5-2		175-12
	255-11	37141-99E20	306-13-3		176-12
	256-11		307-5-3		177-12
	257-11	37141-99E30	306-13-4		178-12
	258-11		307-5-4		179-12
	259-11	37141-99E40	306-13-5		180-12

PART NO.	FIG.NO.-REF.NO.	PART NO.	FIG.NO.-REF.NO.	PART NO.	FIG.NO.-REF.NO.
37725-93J11	169-8		171-9	38500-93J00	305-4
	170-8		172-9	38500-93J90	306-3
	171-8		173-9		306-19
	172-8		174-9		306-26
	173-8		175-9		307-13
	174-8		176-9	38860-76F01	131-23
	175-8		177-9		169-20
	176-8		178-9		170-20
	177-8		179-9		171-20
	178-8		180-9		172-20
37729-93J00	179-8	37855-99E00	306-8		173-20
	180-8	37859-90J00	307-54		174-20
	169-2	38100-93J03	223-1		175-20
	170-2		224-1		176-20
	171-2		225-1		177-20
	172-2		226-1		178-20
	173-2		227-1		179-20
	174-2		228-1		180-20
	175-2		229-1	38915-90J00	131-24
	176-2		230-1		169-21
37803-93J03	177-2		231-1		170-21
	178-2		232-1		171-21
	179-2		233-1		172-21
	180-2		234-1		173-21
	37805-93J00	38100-93J11	235-1		174-21
	37820-93J03		236-1		175-21
	37820-93J93	38410-93J12			176-21
	37820-99E01				177-21
					178-21
					179-21
37823-92E01	146-6		173-15		180-21
	147-6		174-15	39950-87L00	304-33
	148-6		175-15	39950-88L00	327-16
	149-6		176-15		
	150-6		177-15		
	151-6		178-15		
	152-6		179-15		
	153-6		180-15		
	154-6	38415-93J00	169-16	40000	
	155-6		170-16		
37825-99E00	156-6		171-16	41111-93J14-0EP	181-1
	37826-92E00		172-16		182-1
	37850-90J05		173-16		183-1
	37850-92E26		174-16		184-1
	37850-93J10		175-16		185-1
			176-16		186-1
			177-16		187-1
			178-16		188-1
			179-16		189-1
			180-16		190-1

PART NO.	FIG.NO.-REF.NO.	PART NO.	FIG.NO.-REF.NO.	PART NO.	FIG.NO.-REF.NO.
41111-96J21-0EP	191-1		185-6	41161-94400	302-2
	192-1		186-6	41220-93J11	195-13
	193-1		187-6		196-13
	194-1		188-6		197-13
	181-3		189-6		198-13
	182-3		190-6		199-13
	183-3		191-6		200-13
	184-3	41135-92J00	192-6		201-13
	185-3		193-4		202-13
	186-3		194-4		203-13
41117-93J01	187-3	41135-93J11	181-7		204-13
	188-3		182-7		205-13
	189-3		183-7		206-13
	190-3		184-7	41220-96J10	207-15
	191-3		185-7		208-15
	192-3		186-7	41224-95E01	195-15
	145-24		187-7		196-15
	146-24		188-7		197-15
	181-2		189-7		198-15
	182-2		190-7		199-15
41118-96J00	183-2		191-7		200-15
	184-2		192-7		201-15
	185-2	41153-93J00	181-9		202-15
	186-2		182-9		203-15
	187-2		183-9		204-15
	188-2		184-9		205-15
	189-2		185-9		206-15
	190-2		186-9		207-17
	191-2		187-9		208-17
	192-2		188-9	41230-96J00	195-16
41121-96J11-0EP	193-2		189-9		196-16
	194-2		190-9		197-16
	181-4		191-9		198-16
	182-4		192-9		199-16
	183-4		193-6		200-16
	184-4		194-6		201-16
	185-4	41155-93J02	181-14		202-16
	186-4		182-14		203-16
	187-4		183-14		204-16
	188-4		184-14		205-16
41122-93J01	189-4		185-14		206-16
	190-4		186-14		207-18
	191-4		187-14		208-18
	192-4		188-14	41233-95E10	195-17
	193-3		189-14		196-17
	194-3		190-14		197-17
	181-6		191-14		198-17
	182-6		192-14		199-17
	183-6		193-11		200-17
	184-6		194-11		201-17

PART NO.	FIG.NO.-REF.NO.	PART NO.	FIG.NO.-REF.NO.	PART NO.	FIG.NO.-REF.NO.
	202-17		146-23		188-17
	203-17	43211-93J00	195-5		189-17
	204-17		196-5		190-17
	205-17		197-5		191-17
	206-17		198-5		192-17
	207-19		199-5	48121-92J00	221-15
41234-93J11	208-19		200-5	48121-93J13	222-15
	195-14		201-5		209-17
	196-14		202-5		210-17
	197-14		203-5		211-17
	198-14		204-5		212-17
	199-14		205-5		213-17
	200-14		206-5		214-17
	201-14		207-4		215-17
	202-14		208-4		216-17
	203-14	43711-97E00	195-6		217-17
	204-14		196-6		218-17
	205-14		197-6		219-17
	206-14		198-6		220-17
41234-96J10	207-16		199-6	48125-93J00	209-18
	208-16		200-6		210-18
43111-93J23-0EP	195-3		201-6		211-18
	196-3		202-6		212-18
	197-3		203-6		213-18
	198-3		204-6		214-18
	199-3		205-6		215-18
	200-3		206-6		216-18
	201-3		207-5		217-18
	202-3		208-5		218-18
	203-3	43750-93J02-0EP	195-7		219-18
	204-3		196-7		220-18
	205-3		197-7	48126-93J00	209-19
	206-3		198-7		210-19
43111-96J20-0EP	207-3		199-7		211-19
	208-3		200-7		212-19
43114-93J00	195-4		201-7		213-19
	196-4		202-7		214-19
	197-4		203-7		215-19
	198-4		204-7		216-19
	199-4		205-7		217-19
	200-4	43750-96J02-0EP	206-7		218-19
	201-4		207-6		219-19
	202-4		208-6		220-19
	203-4	45421-87D02	181-17	48128-93J11	209-22
	204-4		182-17		210-22
	205-4		183-17		211-22
	206-4		184-17		212-22
43117-96J00	145-21		185-17		213-22
	146-21		186-17		214-22
43118-96J00	145-23		187-17		215-22

PART NO.	FIG.NO.-REF.NO.	PART NO.	FIG.NO.-REF.NO.	PART NO.	FIG.NO.-REF.NO.
	216-22		212-23		220-8
	217-22		213-23	48401-93J10	221-2
	218-22		214-23		222-2
	219-22		215-23	48405-87D00	221-9
	220-22		216-23		222-9
48140-93J01	181-19		217-23	48405-93J00	209-9
	182-19		218-23		210-9
	183-19		219-23		211-9
	184-19		220-23		212-9
	185-19		221-16		213-9
	186-19		222-16		214-9
	187-19	48320-93J00	209-20		215-9
	188-19		210-20		216-9
	189-19		211-20		217-9
	190-19		212-20		218-9
	191-19		213-20		219-9
	192-19		214-20		220-9
	193-14		215-20	48500-93J05	209-1
	194-14		216-20		210-1
48144-93J00	181-20		217-20		211-1
	182-20		218-20		212-1
	183-20		219-20		213-1
	184-20		220-20		214-1
	185-20	48321-87D03	221-17		215-1
	186-20		222-17		216-1
	187-20	48321-93J00	209-24		217-1
	188-20		210-24		218-1
	189-20		211-24		219-1
	190-20		212-24		220-1
	191-20		213-24	48502-93J14	235-12
	192-20		214-24		236-12
	193-15		215-24	48503-93J12	221-1
	194-15		216-24		222-1
	181-23		217-24	48570-95E01	221-11
48145-93J00	182-23		218-24		222-11
	183-23		219-24	48571-93J00	209-30
	184-23		220-24		210-30
	185-23	48326-95E00	221-18		211-30
	186-23		222-18		212-30
	187-23	48400-93J06	209-8		213-30
	188-23		210-8		214-30
	189-23		211-8		215-30
	190-23		212-8		216-30
	191-23		213-8		217-30
	192-23		214-8		218-30
	193-17		215-8		219-30
	194-17		216-8		220-30
48311-96J10	209-23		217-8	48572-87J10	209-12
	210-23		218-8		210-12
	211-23		219-8		211-12

PART NO.	FIG.NO.-REF.NO.	PART NO.	FIG.NO.-REF.NO.	PART NO.	FIG.NO.-REF.NO.
	212-12		236-15		214-4
	213-12	48585-95E00	209-13		215-4
	214-12		210-13		216-4
	215-12		211-13		217-4
	216-12		212-13		218-4
	217-12		213-13		219-4
	218-12		214-13		220-4
	219-12		215-13	48615-97E00	221-10
	220-12		216-13		222-10
48572-95E00	221-12		217-13	48627-93J00	209-11
	222-12		218-13		210-11
48573-93J00	209-21		219-13		211-11
	210-21		220-13		212-11
	211-21		223-12		213-11
	212-21		224-12		214-11
	213-21		225-12		215-11
	214-21		226-12		216-11
	215-21		227-12		217-11
	216-21		228-12		218-11
	217-21		229-12		219-11
	218-21		230-12		220-11
	219-21		231-12	48627-95E00	221-4
	220-21		232-12		222-4
48582-95E01	209-2		233-12	48630-96J02	221-5
	210-2		234-12		222-5
	211-2		235-16	48630-98J01	209-5
	212-2		236-16		210-5
	213-2	48588-94900	221-13		211-5
	214-2		222-13		212-5
	215-2		235-17		213-5
	216-2		236-17		214-5
	217-2	48601-94900	221-3		215-5
	218-2		222-3		216-5
	219-2	48605-93J00	209-3		217-5
	220-2		210-3		218-5
	235-13		211-3		219-5
	236-13		212-3		220-5
48583-95E00	209-16		213-3	48633-93J00	209-6
	210-16		214-3		210-6
	211-16		215-3		211-6
	212-16		216-3		212-6
	213-16		217-3		213-6
	214-16		218-3		214-6
	215-16		219-3		215-6
	216-16		220-3		216-6
	217-16	48610-93J01	209-4		217-6
	218-16		210-4		218-6
	219-16		211-4		219-6
	220-16		212-4		220-6
	235-15		213-4	48633-94900	221-6

PART NO.	FIG.NO.-REF.NO.	PART NO.	FIG.NO.-REF.NO.	PART NO.	FIG.NO.-REF.NO.
	222-6		212-15		243-10
48641-96J02	221-7		213-15		244-10
	222-7		214-15		245-10
48650-93J00	209-10		215-15		246-10
	210-10		216-15		247-10
	211-10		217-15	51122-93J02	248-10
	212-10		218-15		237-11
	213-10		219-15		238-11
	222-10		220-15		239-11
	215-10	48864-96J10	235-14		240-11
	216-10		236-14		241-11
	217-10				242-11
	218-10				243-11
	219-10				244-11
	220-10				245-11
48650-94900	221-8				246-11
	222-8				247-11
48691-93J00	209-7				248-11
	210-7				237-14
	211-7				238-14
	212-7	51111-93J03-0EP	237-1		239-14
	213-7		238-1		240-14
	214-7		239-1		241-14
	215-7		240-1		242-14
	216-7		241-1		243-14
	217-7		242-1		244-14
	218-7		243-1		245-14
	219-7		244-1		246-14
	220-7		245-1		247-14
48861-92J01	221-14		246-1		248-14
	222-14		247-1		315-13
48862-87J20	209-14		248-1		316-13
	210-14	51116-93J00	237-5		317-13
	211-14		238-5		318-13
	212-14		239-5		319-13
	213-14		240-5		320-13
	214-14		241-5		321-13
	215-14		242-5		322-13
	216-14		243-5		323-13
	217-14		244-5		324-13
	218-14		245-5		325-13
	219-14		246-5		326-13
	220-14		247-5	51124-93J00	237-12
48862-92J20	235-18		248-5		238-12
	236-18	51120-93J00	237-10		239-12
	235-19		238-10		240-12
48862-92J30	236-19		239-10		241-12
48864-93J01	209-15		240-10		242-12
	210-15		241-10		243-12
	211-15		242-10		244-12

PART NO.	FIG.NO.-REF.NO.	PART NO.	FIG.NO.-REF.NO.	PART NO.	FIG.NO.-REF.NO.
51125-93J00	245-12	51151-93J00	323-14	52111-93J11-0EP	325-15
	246-12		324-14		326-15
	247-12		325-14		249-1
	248-12		326-14		250-1
	237-13		237-21		251-1
	238-13		238-21		252-1
	239-13		239-21		253-1
	240-13		240-21		254-1
	241-13		241-21		255-1
	242-13		242-21		256-1
243-13	243-21	257-1			
244-13	244-21	258-1			
245-13	245-21	259-1			
246-13	246-21	260-1			
247-13	247-21	261-1			
248-13	248-21	262-1			
51140-93J10-0EP	237-18-2	51152-93J00	237-22	52131-93J00-0EP	249-7
51140-98J00-0EP	238-18-2	51152-93J00	238-22	52131-93J00-0EP	251-7
	237-18-1		239-22		253-7
51142-93J00	238-18-1	51211-93J00	240-22	54121-98J00	254-7
	239-18		241-22		255-7
	240-18		242-22		256-7
	241-18		243-22		257-7
	242-18		244-22		258-7
	243-18		245-22		259-7
	244-18		246-22		260-7
	245-18		247-22		237-33
	246-18		248-22		238-33
	247-18		237-6		239-33
248-18	238-6	240-33			
237-19	239-6	241-33			
238-19	240-6	242-33			
239-19	241-6	243-33			
240-19	242-6	244-33			
241-19	243-6	245-33			
242-19	244-6	246-33			
243-19	245-6	247-33			
244-19	246-6	248-33			
245-19	247-6	237-25			
246-19	248-6	238-25			
247-19	315-15	239-25			
248-19	316-15	240-25			
315-14	317-15	241-25			
316-14	318-15	242-25			
317-14	319-15	243-25			
318-14	320-15	244-25			
319-14	321-15	245-25			
320-14	322-15	246-25			
321-14	323-15	247-25			
322-14	324-15	248-25			

PART NO.	FIG.NO.-REF.NO.	PART NO.	FIG.NO.-REF.NO.	PART NO.	FIG.NO.-REF.NO.
54125-93J00	237-34	54160-93J01	249-14	55110-93J20-0EP	257-20
54130-93J01	238-34	54165-98J00	250-10		258-20
	239-34		251-14		259-20
	240-34		252-10		260-20
	241-34		253-14		261-15
	242-34		254-14		262-15
	243-34		255-14		263-1
	244-34		256-14		264-1
	245-34		257-14		267-1
	246-34		258-14		268-1
	247-34		259-14	271-1	
248-34	260-14	272-1			
237-26	261-9	55110-93J30-0EP	265-1	55125-98J00-0EP	266-1
238-26	262-9	54211-93J00	266-1		263-11
239-26	249-22		269-1		264-8
240-26	250-18		270-1		265-14
241-26	251-22		273-1		266-11
242-26	252-18		274-1		267-11
243-26	253-22		263-11		268-11
244-26	254-22		264-8		269-14
245-26	255-22		265-14		270-14
246-26	256-22		266-11		271-11
247-26	257-22		267-11	272-11	
248-26	258-22	268-11	273-14		
237-30	259-22	54211-93J00	260-22	274-14	
238-30	260-22		270-14	263-19	
239-30	261-17		271-11	264-16	
240-30	262-17		272-11	265-22	
241-30	249-19		273-14	266-19	
242-30	250-15		274-14	267-19	
243-30	251-19		55127-87D00	268-19	
244-30	252-15		54221-93J00	269-14	269-22
245-30	253-19			265-22	270-22
246-30	254-19			266-19	271-19
247-30	255-19	267-19		272-19	
248-30	256-19	268-19		273-22	
249-13	257-19	269-22		274-22	
250-9	258-19	270-22		263-13	
251-13	259-19	271-19		264-10	
252-9	260-19	272-19		265-16	
253-13	261-14	273-22		266-13	
254-13	262-14	55128-93J10	267-13		
255-13	249-20	55128-93J10	268-13	268-13	
256-13	250-16		264-10	269-16	
257-13	251-20		265-16	270-16	
258-13	252-16		266-13		
259-13	253-20		267-13		
260-13	254-20		268-13		
261-8	255-20		269-16		
262-8	256-20		270-16		

PART NO.	FIG.NO.-REF.NO.	PART NO.	FIG.NO.-REF.NO.	PART NO.	FIG.NO.-REF.NO.
55320-94900	271-13	55321-87J00	258-26-2	56120-93J03-0EP	270-21
	272-13		259-26-1		271-18
	273-16		259-26-2		272-18
	274-16		260-26-1		273-21
	181-15		260-26-2		274-21
	182-15		263-15		119-26
	183-15		264-12		120-26
	184-15		265-18		123-26
	185-15		266-15		124-26
	186-15		267-15		127-26
55321-87J00	187-15	55321-94910	268-15	56120-93J13-0EP	128-26
	188-15		269-18		121-27
	189-15		270-18		122-27
	190-15		271-15		125-27
	191-15		272-15		126-27
	192-15		273-18		129-27
	193-12		274-18		130-27
	194-12		181-22		119-33
	1-16		182-22		120-33
	2-16		183-22		121-34
55321-87J10	3-16	55332-87D11	184-22	56140-93J01	122-34
	4-16		185-22		123-33
	5-16		186-22		124-33
	6-16		187-22		125-34
	7-16		188-22		126-34
	8-16		189-22		127-33
	9-16		190-22		128-33
	10-16		191-22		129-34
	11-16		192-22		130-34
	12-16		193-18		119-36
55321-93J00	42-6	55333-87D10	194-18	56145-93J00	120-36
	94-2-1		263-17		123-36
	94-2-2		264-14		124-36
	249-26-1		265-20		127-36
	249-26-2		266-17		128-36
	250-22		267-17		121-37
	251-26-1		268-17		122-37
	251-26-2		269-20		125-37
	252-22		270-20		126-37
	253-26-1		271-17		129-37
55321-93J00	253-26-2	55333-87D10	272-17	56145-93J00	130-37
	254-26-1		273-20		265-3
	254-26-2		274-20		266-3
	255-26-1		263-18		269-3
	255-26-2		264-15		270-3
	256-26-1		265-21		273-3
	256-26-2		266-18		274-3
	257-26-1		267-18		119-1-1
	257-26-2		268-18		120-1-1
	258-26-1		269-21		121-1-1

PART NO.	FIG.NO.-REF.NO.	PART NO.	FIG.NO.-REF.NO.	PART NO.	FIG.NO.-REF.NO.
57110-93J10	122-1	57300-93841	124-3	57622-93J00	122-16
	123-1-1		125-3		125-16
	124-1-1		126-3		126-16
	125-1-1		127-3		129-16
	126-1-1		128-3		130-16
	127-1-1		129-3		121-23
	128-1-1		130-3		122-23
	129-1-1		119-6		125-23
	130-1-1		120-6		126-23
	119-1-2		123-6		129-23
57110-96J20	121-1-2	57300-93852	124-6	57630-92E00	130-23
	123-1-2		127-6		263-32
	124-1-2		128-6		264-29
	125-1-2		121-6		265-35
	126-1-2		122-6		266-32
	127-1-2		125-6		267-32
	128-1-2		126-6		268-32
	129-1-2		129-6		269-35
	130-1-2		130-6		270-35
	119-1-3		119-13		271-32
57130-87D10	120-1-2	57500-87852	120-13	57631-93J00	272-32
	249-4		123-13		273-35
	250-4		124-13		274-35
	251-4		127-13		119-20
	252-4		128-13		120-20
	253-4		119-10		121-18
	254-4		120-10		122-18
	255-4		123-10		123-20
	256-4		124-10		124-20
	257-4		127-10		125-18
57133-93J00	258-4	57610-93J00	128-10	57632-93L00	126-18
	259-4		119-17		127-20
	260-4		120-17		128-20
	119-2		123-17		129-18
	120-2		124-17		130-18
	121-2		127-17		263-27
	122-2		128-17		264-24
	123-2		121-15		265-30
	124-2		122-15		266-27
	125-2		125-15		267-27
57134-93J00	126-2	57621-93J10	126-15	57633-87D30	268-27
	127-2		129-15		269-30
	128-2		130-15		270-30
	129-2		119-18		271-27
	130-2		120-18		272-27
	119-3		123-18		273-30
	120-3		124-18		274-30
	121-3		127-18		263-28
	122-3		128-18		264-25
	123-3		121-16		265-31

PART NO.	FIG.NO.-REF.NO.	PART NO.	FIG.NO.-REF.NO.	PART NO.	FIG.NO.-REF.NO.
	266-28		272-23-3		266-23-4
	267-28	58200-93L30	263-23-4		269-26-4
	268-28		264-20-4		270-26-4
	269-31		267-23-4		273-26-4
	270-31		268-23-4		274-26-4
	271-28		271-23-4	58200-93LE0	265-26-5
	272-28		272-23-4		266-23-5
	273-31	58200-93L40	263-23-5		269-26-5
	274-31		264-20-5		270-26-5
58105-93J00	263-26		267-23-5		273-26-5
	264-23		268-23-5		274-26-5
	265-29		271-23-5	58200-93LF0	265-26-6
	266-26		272-23-5		266-23-6
	267-26	58200-93L50	263-23-6		269-26-6
	268-26		264-20-6		270-26-6
	269-29		267-23-6		273-26-6
	270-29		268-23-6		274-26-6
	271-26		271-23-6	58200-93LG0	265-26-7
	272-26		272-23-6		266-23-7
	273-29	58200-93L60	263-23-7		269-26-7
	274-29		264-20-7		270-26-7
58105-93J10	263-24		267-23-7		273-26-7
	264-21		268-23-7		274-26-7
	265-27		271-23-7	58200-96J00	263-25-1
	266-24		272-23-7		264-22-1
	267-24	58200-93L70	263-23-8		267-25-1
	268-24		264-20-8		268-25-1
	269-27		267-23-8		271-25-1
	270-27		268-23-8		272-25-1
	271-24		271-23-8	58200-96J10	263-25-2
	272-24		272-23-8		264-22-2
	273-27	58200-93LA0	265-26-1		267-25-2
	274-27		266-23-1		268-25-2
58200-93L00	263-23-1		269-26-1		271-25-2
	264-20-1		270-26-1		272-25-2
	267-23-1		273-26-1	58200-96J20	263-25-3
	268-23-1		274-26-1		264-22-3
	271-23-1	58200-93LB0	265-26-2		267-25-3
	272-23-1		266-23-2		268-25-3
	263-23-2		269-26-2		271-25-3
	264-20-2		270-26-2		272-25-3
	267-23-2		273-26-2	58200-96J30	263-25-4
	268-23-2		274-26-2		264-22-4
	271-23-2	58200-93LC0	265-26-3		267-25-4
	272-23-2		266-23-3		268-25-4
	263-23-3		269-26-3		271-25-4
	264-20-3		270-26-3		272-25-4
	267-23-3		273-26-3	58200-96J40	263-25-5
	268-23-3		274-26-3		264-22-5
58200-93L20	271-23-3	58200-93LD0	265-26-4		267-25-5

PART NO.	FIG.NO.-REF.NO.	PART NO.	FIG.NO.-REF.NO.	PART NO.	FIG.NO.-REF.NO.
	268-25-5	61112-93J20	289-2		285-8
	271-25-5		290-2		286-8
	272-25-5		291-2		287-8
58200-96J50	263-25-6		292-2		288-8
	264-22-6		293-2	61137-93J00	275-3
	267-25-6		294-2		276-3
	268-25-6		295-2		277-3
	271-25-6		296-2		278-3
	272-25-6		297-2		279-3
58200-96JA0	265-28-1		298-2		280-3
	266-25-1		299-2		281-3
	269-28-1		300-2		282-3
	270-28-1	61124-93J40	275-33		283-3
	273-28-1		276-33		284-3
	274-28-1		277-33		285-3
58200-96JB0	265-28-2		278-33		286-3
	266-25-2		279-33		287-3
	269-28-2		280-33		288-3
	270-28-2		281-33	61141-93J01-0EP	275-2
	273-28-2		282-33		276-2
	274-28-2		283-33		277-2
58200-96JC0	265-28-3		284-33		278-2
	266-25-3		285-33		279-2
	269-28-3		286-33		280-2
	270-28-3		287-33		281-2
	273-28-3		288-33		282-2
	274-28-3	61131-93J01-0EP	275-1		283-2
	265-28-4		276-1		284-2
58200-96JD0	266-25-4		277-1		285-2
	269-28-4		278-1		286-2
	270-28-4		279-1	61141-93J20-0EP	287-2
	273-28-4		280-1		288-2
	274-28-4		281-1	61155-93J20	237-7
58200-96JE0	265-28-5		282-1		238-7
	266-25-5		283-1		239-7
	269-28-5		284-1		240-7
	270-28-5		285-1		241-7
	273-28-5		286-1		242-7
	274-28-5	61131-93J20-0EP	287-1		243-7
	265-28-6		288-1		244-7
58200-96JF0	266-25-6	61134-93J20	275-8		245-7
	269-28-6		276-8		246-7
	270-28-6		277-8		247-7
	273-28-6		278-8		248-7
	274-28-6		279-8	61416-93J00	289-3
			280-8		290-3
			281-8		291-3
			282-8		292-3
			283-8		293-3
			284-8		294-3

60000

PART NO.	FIG.NO.-REF.NO.	PART NO.	FIG.NO.-REF.NO.	PART NO.	FIG.NO.-REF.NO.
	295-3		297-5		90-65
	296-3		298-5		91-65
	297-3		299-5	61438-93J00	289-8
	298-3		300-5		289-9
	299-3	61433-93J00	289-6		289-10
	300-3		290-6		290-8
61420-93835-0EP	289-1		291-6		290-9
	290-1		292-6		290-10
	291-1		293-6		291-8
	292-1		294-6		291-9
61420-93845-0EP	293-1		295-6		291-10
	294-1		296-6		292-8
	295-1		297-6		292-9
	296-1		298-6		292-10
61420-93854-0EP	297-1		299-6		293-8
	298-1		300-6		293-9
	299-1	61434-93J00	289-7		293-10
	300-1		290-7		294-8
61422-93J52	289-25		291-7		294-9
	290-25		292-7		294-10
	291-25		293-7		295-8
	292-25		294-7		295-9
61422-93J62	293-25		295-7		295-10
	294-25		296-7		296-8
	295-25		297-7		296-9
	296-25		298-7		296-10
61422-93J72	297-25		299-7		297-8
	298-25		300-7		297-9
	299-25	61435-93J32	289-26		297-10
	300-25		290-26		298-8
61431-93J03-0EP	289-4		291-26		298-9
	290-4		292-26		298-10
	291-4	61435-93J42	293-26		299-8
	292-4		294-26		299-9
	293-4		295-26		299-10
	294-4		296-26		300-8
	295-4	61435-93J52	297-26		300-9
	296-4		298-26		300-10
	297-4		299-26	61439-93J20	289-11
	298-4		300-26		290-11
	299-4	61436-93J00	80-46		291-11
	300-4		81-46		292-11
61432-93J00	289-5		82-46		293-11
	290-5		83-46		294-11
	291-5	61436-93J10	84-65		295-11
	292-5		85-65		296-11
	293-5		86-65		297-11
	294-5		87-65		298-11
	295-5		88-65		299-11
	296-5		89-65		300-11

PART NO.	FIG.NO.-REF.NO.	PART NO.	FIG.NO.-REF.NO.	PART NO.	FIG.NO.-REF.NO.
61439-93J40	289-12		291-29		18-10
	290-12		292-29		19-10
	291-12		293-29		20-10
	292-12		294-29		21-10
	293-12		295-29		22-10
	294-12		296-29		23-10
	295-12		297-29		24-10
	296-12		298-29	61610-93J00	25-10
	297-12		299-29		289-18
	298-12		300-29		290-18
	299-12	61472-93E32	15-7		291-18
	300-12		17-7		292-18
61443-93J32	289-23		19-7		293-18
	290-23		21-7		294-18
	291-23		23-7		295-18
	292-23		25-7		296-18
	293-23	61472-93E40	14-7		297-18
	294-23		16-7		298-18
	295-23		18-7		299-18
	296-23		20-7		300-18
	297-23		22-7	61621-93J00	289-19
	298-23		24-7		290-19
	299-23	61476-93J00	289-13		291-19
	300-23		290-13		292-19
61446-87L12	289-27		291-13		293-19
	290-27		292-13		294-19
	291-27		293-13		295-19
	292-27		294-13		296-19
	293-27		295-13		297-19
	294-27		296-13		298-19
	295-27		297-13		299-19
61446-93J32	296-27		298-13	61632-93J00	300-19
	297-27		299-13		275-20
	298-27		300-13		276-20
	299-27	61493-93J00	14-9		277-20
	300-27		15-9		278-20
61453-93J32	289-24		16-9		279-20
	290-24		17-9		280-20
	291-24		18-9		281-20
	292-24		19-9		282-20
	293-24		20-9		283-20
	294-24		21-9		284-20
	295-24		22-9		285-20
	296-24		23-9		286-20
	297-24		24-9		287-20
	298-24		25-9		288-20
	299-24	61494-96J00	14-10	61633-93J00-0EP	275-21
	300-24		15-10		276-21
61458-99E70	289-29		16-10		277-21
	290-29		17-10		278-21

PART NO.	FIG.NO.-REF.NO.	PART NO.	FIG.NO.-REF.NO.	PART NO.	FIG.NO.-REF.NO.
	279-21		287-23		281-26
	280-21		288-23		282-26
	281-21	61641-93J20	275-24		283-26
	282-21		276-24		284-26
	283-21		277-24		285-26
	284-21		278-24		286-26
	285-21		279-24		287-26
	286-21		280-24		288-26
	287-21		281-24	61811-93J30-0EP	287-6
	288-21		282-24		288-6
61634-93J00-0EP	275-22		283-24	61811-93J40-0EP	275-6
	276-22		284-24		276-6
	277-22		285-24		277-6
	278-22		286-24		278-6
	279-22		287-24		279-6
	280-22		288-24		280-6
	281-22	61645-93J01-0EP	275-25		281-6
	282-22		276-25		282-6
	283-22		277-25		283-6
	284-22		278-25		284-6
	285-22		279-25		285-6
	286-22		280-25		286-6
	287-22		281-25	61817-93J00	275-10
	288-22		282-25		276-10
61639-93J00	275-38		283-25		277-10
	276-38		284-25		278-10
	277-38		285-25		279-10
	278-38		286-25		280-10
	279-38		287-25		281-10
	280-38		288-25		282-10
	281-38	61649-93J00	275-39		283-10
	282-38		276-39		284-10
	283-38		277-39		285-10
	284-38		278-39		286-10
	285-38		279-39		287-10
	286-38		280-39		288-10
	287-38		281-39	61821-93J10-0EP	275-7
	288-38		282-39		276-7
61641-93J10	275-23		283-39		277-7
	276-23		284-39		278-7
	277-23		285-39		279-7
	278-23		286-39		280-7
	279-23		287-39		281-7
	280-23		288-39		282-7
	281-23	61673-93J01	275-26		283-7
	282-23		276-26		284-7
	283-23		277-26		285-7
	284-23		278-26		286-7
	285-23		279-26		287-7
	286-23		280-26		288-7

PART NO.	FIG.NO.-REF.NO.	PART NO.	FIG.NO.-REF.NO.	PART NO.	FIG.NO.-REF.NO.
61827-93J02	275-12	67222-92E50	313-2	67238-87D00	307-22
	276-12	67223-92E00	309-3	67238-92E00	309-35
	277-12		311-3		311-34
	278-12	67223-92E50	313-6	67238-92E50	313-32
	279-12	67223-99E10	307-19	67239-92E00	309-36
	280-12	67224-92E00	309-9		311-35
	281-12		311-9		313-33
	282-12	67224-92E50	313-8	67239-92E10	309-47
	283-12	67225-92E00	313-25		311-45
	284-12	67225-92E50	313-9		313-29
	285-12	67226-92E00	309-15	67240-92E00	309-17
	286-12		311-15		311-17
	287-12	67226-92E10	309-16	67240-92E50	313-16
	288-12		311-16	67241-92E10	309-45
61831-93J13-0EP	275-15		313-14		311-43
	276-15	67227-92E00	309-24	67241-92E50	313-42
	277-15		311-24	67241-99E10	307-23
	278-15		313-23	67242-92E50	312-13
	279-15	67228-92E00	309-18	67243-92E00	309-46
	280-15		311-18		311-44
	281-15		313-17	67243-95600	307-24
	282-15	67229-95600	307-20	67244-95600	307-25
	283-15	67230-92E00	309-20	67245-92E00	309-23
	284-15		311-20		311-23
	285-15		313-19		313-22
	286-15	67231-92E00	309-43	67245-95600	307-26
	287-15		311-41	67246-92E00	309-37
	288-15		313-40		311-36
63610-93J00	92-7	67232-92E50	313-43	67246-92E50	313-34
65700-93J01	301-4	67232-95600	307-21	67251-92E50	312-9
65770-93J10	301-5		309-44	67251-93J00	308-11
67140-95600	307-57		311-42		310-12
67200-93J06	307-1		313-41	67251-99E10	307-27
67200-93J13	310-1	67232-95620	309-29	67252-92E00	313-35
	311-1		311-28	67252-92E10	309-40
67200-93J23	308-1	67233-92E00	309-27		311-39
	309-1		311-26		313-38
67200-93J32	312-1		313-27	67252-95600	307-28
	313-1	67234-92E00	309-22	67253-92E00	308-14
67211-92E50	312-29		311-22		310-15
67211-93J00	310-27		313-21	67253-92E10	309-39
67211-93J10	308-26	67235-92E00	309-28		311-38
67212-95600	307-14		311-27		313-37
67213-92E00	307-15		313-28	67253-95600	307-29
67220-95630	307-18	67236-92E00	309-33		309-42
67221-92E00	309-8		311-32		311-40
	311-8		313-30		313-39
67221-92E50	313-7	67237-92E01	309-34	67254-92E50	312-22
67222-92E00	309-2		311-33	67255-92E50	312-8
	311-2		313-31	67255-99E00	307-30

PART NO.	FIG.NO.-REF.NO.	PART NO.	FIG.NO.-REF.NO.	PART NO.	FIG.NO.-REF.NO.
01500-06307	51-63	01547-06507	89-28		52-66
	52-59		90-28		53-70
	53-63		91-28		54-66
	54-59		1-30		94-28
	80-37		2-30		132-14
	81-37		3-30		133-14
	82-37		4-30		134-14
	83-37		5-30		135-14
	84-51		6-30		136-14
	85-51		7-30		137-14
01547-06167	86-51	01550-05107	8-30		138-14
	87-51		9-31		139-14
	88-51		10-31		140-14
	89-51		11-31		141-14
	90-51		12-31		142-14
	91-51		275-19		143-14
	289-21		276-19		157-17
	290-21		277-19		157-22
	291-21		278-19		157-24
	292-21		279-19		158-17
01547-06207	293-21	01550-06107	280-19		158-22
	294-21		281-19		158-24
	295-21		282-19		159-17
	296-21		283-19		159-22
	297-21		284-19		159-24
	298-21		285-19		160-17
	299-21		286-19		160-22
	300-21		287-19		160-24
	144-10		288-19		161-17
	01547-06257		1-29		55-23
	2-29	01550-06127	56-23		161-24
	3-29		57-23		162-17
	4-29		58-23		162-22
	5-29		59-23		162-24
	6-29		60-23		163-17
	7-29		61-23		163-22
	8-29		62-23		163-24
	9-30		63-23		164-17
	10-30		64-23		164-22
	11-30		65-23		164-24
	12-30		66-23		165-17
	80-17		43-70		165-22
	81-17		44-66		165-24
	82-17		45-70		166-17
	83-17		46-66		166-22
	84-28		47-70		166-24
	85-28		48-66		167-17
	86-28		49-70		167-22
	87-28		50-66		167-24
	88-28		51-70		168-17

PART NO.	FIG.NO.-REF.NO.	PART NO.	FIG.NO.-REF.NO.	PART NO.	FIG.NO.-REF.NO.
	168-22		92-15		6-4
	168-24		132-6		6-8
	169-11		132-11		7-4
	169-17		133-6		7-8
	170-11		133-11		8-4
	170-17		134-6		8-8
	171-11		134-11		9-4
	171-17		135-6		9-8
	172-11		135-11		10-4
	172-17		136-6		10-8
	173-11		136-11		11-4
	173-17		137-6		11-8
	174-11		137-11		12-4
	174-17		138-6		12-8
	175-11		138-11		13-20
	175-17		139-6		14-2
	176-11		139-11		15-2
	176-17		140-6		16-2
	177-11		140-11		17-2
	177-17		141-6		18-2
	178-11		141-11		19-2
	178-17		142-6		20-2
	179-11		142-11		21-2
	179-17		143-6		22-2
	180-11		143-11		23-2
	180-17		275-37		24-2
	289-22		276-37		25-2
	290-22		277-37		79-33
	291-22		278-37		79-34
	292-22		279-37		95-21
01550-06167	293-22	01550-0616A	280-37	01550-0620A	96-21
	294-22		281-37		97-21
	295-22		282-37		98-21
	296-22		283-37		99-21
	297-22		284-37		100-21
	298-22		285-37		101-21
	299-22		286-37		102-21
	300-22		287-37		103-21
	80-39		288-37		104-21
	81-39		93-11		105-21
	82-39	01550-06207	1-4	01550-06257	106-21
	83-39		1-8		27-25
	84-53		2-4		27-26
	85-53		2-8		28-12
	86-53		3-4		29-12
	87-53		3-8		30-12
	88-53		4-4		31-12
	89-53		4-8		32-12
	90-53		5-4		33-12
	91-53		5-8		34-12

PART NO.	FIG.NO.-REF.NO.	PART NO.	FIG.NO.-REF.NO.	PART NO.	FIG.NO.-REF.NO.
	35-12		52-61		42-9
	36-13		53-65		131-25
	37-13		54-61		275-14
	38-13		92-17		276-14
	39-13	01550-06407	14-3		277-14
	42-10		15-3		278-14
	43-46		16-3		279-14
	44-42		17-3		280-14
	45-46		18-3		281-14
	46-42		19-3		282-14
	47-46		20-3		283-14
	48-42		21-3		284-14
	49-46		22-3		285-14
	50-42		23-3		286-14
	51-46		24-3		287-14
	52-42		25-3		288-14
	53-46	01550-08127	79-25	01550-0820A	84-62
	54-42	01550-08167	84-8		85-62
	79-35		85-8		86-62
	92-16		86-8		87-62
	144-8		87-8		88-62
	157-7		88-8		89-62
	158-7		89-8		90-62
	159-7		90-8		91-62
	160-7		91-8	01550-08307	80-40
	161-7	01550-08207	1-18		81-40
	162-7		1-37		82-40
	163-7		2-18		83-40
	164-7		2-37		84-54
	165-7		3-18		85-54
	166-7		3-37		86-54
	167-7		4-18		87-54
01550-06307	168-7		4-37		88-54
	84-29		5-18		89-54
	85-29		5-37		90-54
	86-29		6-18		91-54
	87-29		6-37		131-26
	88-29		7-18		237-9
	89-29		7-37		237-23
	90-29		8-18		238-9
	91-29		8-37		238-23
01550-06357	43-65		9-18		239-9
	44-61		9-38		239-23
	45-65		10-18		240-9
	46-61		10-38		240-23
	47-65		11-18		241-9
	48-61		11-38		241-23
	49-65		12-18		242-9
	50-61		12-38		242-23
	51-65		13-2		243-9

PART NO.	FIG.NO.-REF.NO.	PART NO.	FIG.NO.-REF.NO.	PART NO.	FIG.NO.-REF.NO.
	243-23		54-63		246-24
	244-9		55-18		247-24
	244-23		56-18		248-24
	245-9		57-18	01550-0865A	93-13
	245-23		58-18	01550-0885A	93-14
	246-9		59-18	01550-1025A	26-12
	246-23		60-18	01550-1050A	94-19
	247-9		61-18	01570-06107	275-43
	247-23		62-18		276-43
	248-9		63-18		277-43
	248-23		64-18		278-43
01550-0830A	27-13		65-18		279-43
	27-17		66-18		280-43
	27-21	01550-08457	13-25		281-43
	237-17	01550-0845A	93-12		282-43
	238-17	01550-0855A	27-7		283-43
	239-17	01550-08607	1-19		284-43
	240-17		1-20		285-43
	241-17		2-19		286-43
	242-17		2-20		287-43
	243-17		3-19	01570-06127	288-43
	244-17		3-20		157-28
	245-17		4-19		158-28
	246-17		4-20		159-28
	247-17		5-19		160-28
	248-17		5-20		161-28
01550-08357	14-5		6-19		162-28
	15-5		6-20		163-28
	16-5		7-19		164-28
	17-5		7-20		165-28
	18-5		8-19		166-28
	19-5		8-20		167-28
	20-5		9-19		168-28
	21-5		9-20	01570-06357	43-50
	22-5		10-19		44-46
	23-5		10-20		45-50
	24-5		11-19		46-46
	25-5		11-20		47-50
01550-0835A	13-24		12-19		48-46
01550-08407	43-67		12-20		49-50
	44-63		92-18		50-46
	45-67		237-24		51-50
	46-63		238-24		52-46
	47-67		239-24		53-50
	48-63		240-24		54-46
	49-67		241-24	02112-0406B	43-56
	50-63		242-24		44-52
	51-67		243-24		45-56
	52-63		244-24		46-52
	53-67		245-24		47-56

PART NO.	FIG.NO.-REF.NO.	PART NO.	FIG.NO.-REF.NO.	PART NO.	FIG.NO.-REF.NO.
	48-52		85-42	03112-06303	304-25
	49-56		86-42	03121-0516A	306-18
	50-52		87-42		306-25
	51-56		88-42	03542-05169	289-14
	52-52		89-42		289-15
	53-56		90-42		289-16
02112-05107	54-52	02112-35167	91-42		289-17
	43-30		169-4		290-14
	45-30		170-4		290-15
	47-30		171-4		290-16
	49-30		172-4		290-17
02112-0512A	51-30		173-4		291-14
	53-30		174-4		291-15
	84-9		175-4		291-16
	85-9		176-4		291-17
	86-9		177-4		292-14
	87-9		178-4		292-15
	88-9		179-4		292-16
	89-9		180-4		292-17
	90-9	02142-0408B	43-29		293-14
	91-9		45-29		293-15
02112-0612A	1-28		47-29		293-16
	2-28		49-29		293-17
	3-28		51-29		294-14
	4-28		53-29		294-15
	5-28	02142-05107	95-22		294-16
	6-28		96-22		294-17
	7-28		97-22		295-14
	8-28		98-22		295-15
	9-29		99-22		295-16
	10-29		100-22		295-17
02112-3416B	11-29		101-22		296-14
	12-29		102-22		296-15
	80-18		103-22		296-16
	81-18		104-22		296-17
	82-18		105-22		297-14
	83-18		106-22		297-15
	84-30	02142-06207	41-7		297-16
	85-30	02162-0520B	80-19		297-17
	86-30		81-19		298-14
	87-30		82-19		298-15
	88-30		83-19		298-16
	89-30		84-31		298-17
	90-30		85-31		299-14
	91-30		86-31		299-15
02112-35087	80-28		87-31		299-16
	81-28		88-31		299-17
	82-28		89-31		300-14
	83-28		90-31		300-15
	84-42		91-31		300-16

PART NO.	FIG.NO.-REF.NO.	PART NO.	FIG.NO.-REF.NO.	PART NO.	FIG.NO.-REF.NO.
	300-17		124-11-1		54-67
04211-13149	27-12		127-11-1	08316-10087	80-41
04221-08129	119-37		128-11-1		81-41
	120-37	08211-30384	119-11-5		82-41
	123-37		120-11-5		83-41
	124-37		123-11-5		84-55
	127-37		124-11-5		85-55
	128-37		127-11-5		86-55
	265-4		128-11-5		87-55
	266-4	08211-30385	119-11-8		88-55
	269-4		120-11-8		89-55
	270-4		123-11-8		90-55
	273-4		124-11-8		91-55
	274-4		127-11-8		157-2
06111-07004	119-23		128-11-8		158-2
	120-23	08221-16256	119-9		159-2
	121-21		120-9		160-2
	122-21		121-9		161-2
	123-23		122-9		162-2
	124-23		123-9		163-2
	125-21		124-9		164-2
	126-21		125-9		165-2
	127-23		126-9		166-2
	128-23		127-9		167-2
	129-21		128-9		168-2
	130-21		129-9	08316-1008A	80-45
06111-14004	119-24		130-9		81-45
	120-24	08310-00067	157-29		82-45
	121-22		158-29		83-45
	122-22		159-29		84-63
	123-24		160-29		85-63
	124-24		161-29		86-63
	125-22		162-29		87-63
	126-22		163-29		88-63
	127-24		164-29		89-63
	128-24		165-29		90-63
	129-22		166-29		91-63
	130-22		167-29	08322-01087	80-5
07130-0616A	13-14		168-29		81-5
08110-60020	93-15	08316-10067	43-71		82-5
08110-62080	27-3		44-67		83-5
08113-60100	119-31		45-71		84-14
	120-31		46-67		85-14
	123-31		47-71		86-14
	124-31		48-67		87-14
	127-31		49-71		88-14
	128-31		50-67		89-14
08211-30382	119-11-1		51-71		90-14
	120-11-1		52-67		91-14
	123-11-1		53-71	08331-41359	95-23

PART NO.	FIG.NO.-REF.NO.	PART NO.	FIG.NO.-REF.NO.	PART NO.	FIG.NO.-REF.NO.
	96-23	09100-12086	181-10-2		259-15
	97-23		182-10-2		260-15
	98-23		183-10-2		261-10
	99-23		184-10-2		262-10
	100-23		185-10-2	09103-06093	145-14
	101-23		186-10-2		145-15
	102-23		187-10-2		146-14
	103-23		188-10-2		146-15
	104-23		189-10-2	09103-06231	132-12
	105-23		190-10-2		133-12
09100-06113	106-23		191-10-2		134-12
	145-7		192-10-2		135-12
	146-7		193-7-1		136-12
	147-7		194-7-1		137-12
	148-7	09100-12092	181-10-1		138-12
	149-7		182-10-1		139-12
	150-7		183-10-1		140-12
	151-7		184-10-1		141-12
	152-7		185-10-1		142-12
	153-7		186-10-1		143-12
	154-7		187-10-1	09103-06278	181-21
	155-7		188-10-1		182-21
09100-08232	156-7		189-10-1		183-21
	307-50		190-10-1		184-21
09100-12052	263-3		191-10-1		185-21
	264-3		192-10-1		186-21
	265-6		193-7-3		187-21
	266-6		194-7-3		188-21
	267-3	09100-14004	237-27		189-21
	268-3		238-27		190-21
	269-6		239-27		191-21
	270-6		240-27		192-21
	271-3		241-27		193-16
	272-3		242-27		194-16
	273-6		243-27	09103-06281	1-17
	274-6		244-27		2-17
09100-12085	181-10-3		245-27		3-17
	182-10-3		246-27		4-17
	183-10-3		247-27		5-17
	184-10-3		248-27		6-17
	185-10-3		249-15		7-17
	186-10-3		250-11		8-17
	187-10-3		251-15		9-17
	188-10-3		252-11		10-17
	189-10-3		253-15		11-17
	190-10-3		254-15		12-17
	191-10-3		255-15		42-7
	192-10-3		256-15		94-4
	193-7-2		257-15	09103-08109	237-15
	194-7-2		258-15		238-15

PART NO.	FIG.NO.-REF.NO.	PART NO.	FIG.NO.-REF.NO.	PART NO.	FIG.NO.-REF.NO.
	239-15		135-8		251-27-2
	240-15		136-8		252-23
	241-15		137-8		253-27-1
	242-15		138-8		253-27-2
	243-15		139-8		254-27-1
	244-15		140-8		254-27-2
	245-15		141-8		255-27-1
	246-15		142-8		255-27-2
	247-15		143-8		256-27-1
	248-15	09108-08267	80-44		256-27-2
09103-08134	80-43		81-44		257-27-1
	81-43		82-44		257-27-2
	82-43		83-44		258-27-1
	83-43		84-60		258-27-2
	84-59		85-60		259-27-1
	85-59		86-60		259-27-2
	86-59		87-60		260-27-1
	87-59		88-60		260-27-2
	88-59		89-60		263-16
	89-59		90-60		264-13
	90-59		91-60		265-19
09103-08182	91-59	09108-08282	40-3		266-16
	80-42	09108-10115	249-8		267-16
	81-42		251-8		268-16
	82-42		253-8		269-19
	83-42		254-8		270-19
	84-58		255-8		271-16
	85-58		256-8		272-16
	86-58		257-8		273-19
	87-58		258-8		274-19
	88-58		259-8	09116-06121	79-13
	89-58		260-8		181-16
	90-58	09108-10150	261-5		182-16
	91-58		262-5		183-16
09103-08437	40-4	09108-12013	249-9		184-16
09103-12071	132-2		251-9		185-16
	133-2		253-9		186-16
	134-2		254-9		187-16
	135-2		255-9		188-16
	136-2		256-9		189-16
	137-2		257-9		190-16
	138-2		258-9		191-16
	139-2		259-9		192-16
	140-2		260-9		193-13
	141-2	09116-05010	145-22		194-13
	142-2		146-22	09116-06127	275-27
	143-2	09116-06094	249-27-1		276-27
09106-05030	132-8		249-27-2		277-27
	133-8		250-23		278-27
	134-8		251-27-1		279-27

PART NO.	FIG.NO.-REF.NO.	PART NO.	FIG.NO.-REF.NO.	PART NO.	FIG.NO.-REF.NO.
	280-27		266-12		242-35
	281-27		267-12		243-35
	282-27		268-12		244-35
	283-27		269-15		245-35
	284-27		270-15		246-35
	285-27		271-12		247-35
	286-27		272-12		248-35
	287-27		273-15	09116-10146	94-22
	288-27		274-15		237-37
09116-06202	144-7	09116-08158	119-32		238-37
09116-08122	237-20		120-32		239-37
	238-20		121-33		240-37
	239-20		122-33		241-37
	240-20		123-32		242-37
	241-20		124-32		243-37
	242-20		125-33		244-37
	243-20		126-33		245-37
	244-20		127-32		246-37
	245-20		128-32		247-37
	246-20		129-33		248-37
	247-20		130-33	09116-10150	263-4
	248-20	09116-10134	237-38		264-4
09116-08126	237-39		238-38		265-7
	238-39		239-38		266-7
	239-39		240-38		267-4
	240-39		241-38		268-4
	241-39		242-38		269-7
	242-39		243-38		270-7
	243-39		244-38		271-4
	244-39		245-38		272-4
	245-39		246-38		273-7
	246-39		247-38		274-7
	247-39		248-38	09116-10174	221-19
	248-39	09116-10135	237-31		222-19
09116-08128	94-20		238-31	09116-10175	94-21
09116-08131	67-14		239-31		209-29
	68-14		240-31		210-29
	69-14		241-31		211-29
	70-14		242-31		212-29
	71-14		243-31		213-29
	72-14		244-31		214-29
	73-14		245-31		215-29
	74-14		246-31		216-29
	75-14		247-31		217-29
	76-14		248-31		218-29
	77-14	09116-10137	237-35		219-29
	78-14		238-35		220-29
09116-08137	263-12		239-35		237-32
	264-9		240-35		237-36
	265-15		241-35		238-32

PART NO.	FIG.NO.-REF.NO.	PART NO.	FIG.NO.-REF.NO.	PART NO.	FIG.NO.-REF.NO.
	238-36		276-16		188-5
	239-32		277-16		188-25
	239-36		278-16		189-5
	240-32		279-16		189-25
	240-36		280-16		190-5
	241-32		281-16		190-25
	241-36		282-16		191-5
	242-32		283-16		191-25
	242-36		284-16		192-5
	243-32		285-16		192-25
	243-36		286-16		195-8
	244-32		287-16		195-18
	244-36		288-16		196-8
	245-32	09119-06047	92-9		196-18
	245-36	09125-04004	313-26		197-8
	246-32	09125-04021	312-7		197-18
	246-36	09125-05042	307-16		198-8
	247-32		309-21		198-18
	247-36		311-21		199-8
	248-32		313-20		199-18
	248-36	09125-05050	221-26		200-8
	249-21		222-26		200-18
	250-17	09125-05135	308-29		201-8
	251-21		310-30		201-18
	252-17	09125-06063	145-9		202-8
	253-21		146-9		202-18
	254-21		147-9		203-8
	255-21		148-9		203-18
	256-21		149-9		204-8
	257-21		150-9		204-18
	258-21		151-9		205-8
	259-21		152-9		205-18
	260-21		153-9		206-8
	261-16		154-9		206-18
	262-16		155-9		207-7
09116-10176	249-2		156-9		207-14
	250-2		181-5		207-20
	251-2		181-25		207-26
	252-2		182-5		208-7
	253-2		182-25		208-14
	254-2		183-5		208-20
	255-2		183-25		208-26
	256-2		184-5		209-34
	257-2		184-25		209-35
	258-2		185-5		209-36
	259-2		185-25		210-34
	260-2		186-5		210-35
	261-2		186-25		210-36
	262-2		187-5		211-34
09118-08127	275-16		187-25		211-35

PART NO.	FIG.NO.-REF.NO.	PART NO.	FIG.NO.-REF.NO.	PART NO.	FIG.NO.-REF.NO.
	211-36		259-6		178-6
	212-34		259-12		179-6
	212-35		260-6		180-6
	212-36		260-12	09139-06135	275-4
	213-34		261-7		276-4
	213-35		261-20		277-4
	213-36		262-7		278-4
	214-34		262-20		279-4
	214-35	09126-05003	307-51		280-4
	214-36	09126-06006	309-25		281-4
	215-34		311-25		282-4
	215-35	09132-04034	67-15		283-4
	215-36		68-15		284-4
	216-34		69-15		285-4
	216-35		70-15		286-4
	216-36		71-15	09139-06136	275-5
	217-34		72-15		276-5
	217-35		73-15		277-5
	217-36		74-15		278-5
	218-34		75-15		279-5
	218-35		76-15		280-5
	218-36		77-15		281-5
	219-34		78-15		282-5
	219-35	09136-06148	275-11		283-5
	219-36		276-11		284-5
	220-34		277-11		285-5
	220-35		278-11		286-5
	220-36		279-11	09140-05005	92-10
	221-25		280-11		308-31
	222-25		281-11		310-32
	249-6		282-11	09140-06020	307-52
	249-12		283-11		309-32
	250-6		284-11		311-31
	250-8		285-11		313-10
	251-6		286-11	09140-10032	195-19
	251-12		287-5		196-19
	252-6		287-11		197-19
	252-8		288-5		198-19
	253-6		288-11		199-19
	253-12	09136-06161	287-4		200-19
	254-6		288-4		201-19
	254-12	09137-04004	169-6		202-19
	255-6		170-6		203-19
	255-12		171-6		204-19
	256-6		172-6		205-19
	256-12		173-6		206-19
	257-6		174-6		207-21
	257-12		175-6		208-21
	258-6		176-6	09140-16021	119-8
	258-12		177-6		120-8

PART NO.	FIG.NO.-REF.NO.	PART NO.	FIG.NO.-REF.NO.	PART NO.	FIG.NO.-REF.NO.
	121-8		184-18		120-4
	122-8		185-18		121-4
	123-8		186-18		122-4
	124-8		187-18		123-4
	125-8		188-18		124-4
	126-8		189-18		125-4
	127-8		190-18		126-4
	128-8		191-18		127-4
	129-8		192-18		128-4
	130-8	09159-14026	237-28		129-4
	263-29		238-28		130-4
09141-18005	264-26		239-28	09160-05024	308-19
	265-32		240-28		310-19
	266-29		241-28	09160-05029	169-3
	267-29		242-28		170-3
	268-29		243-28		171-3
	269-32		244-28		172-3
	270-32		245-28		173-3
	271-29		246-28		174-3
	272-29		247-28		175-3
	273-32		248-28		176-3
	274-32		249-17		177-3
09159-08136	40-5		250-13		178-3
09159-12014	263-8		251-17		179-3
	265-11		252-13		180-3
	267-8		253-17		308-30
	268-8		254-17		310-31
	269-11		255-17	09160-05043	80-29
	270-11		256-17		81-29
	271-8		257-17		82-29
	272-8		258-17		83-29
	273-11		259-17		84-43
	274-11		260-17		85-43
09159-12062	181-11		261-12		86-43
	182-11		262-12		87-43
	183-11	09159-22006	181-8		88-43
	184-11		182-8		89-43
	185-11		183-8		90-43
	186-11		184-8		91-43
	187-11		185-8	09160-06036	80-38
	188-11		186-8		81-38
	189-11		187-8		82-38
	190-11		188-8		83-38
	191-11		189-8		84-52
	192-11		190-8		85-52
	193-8		191-8		86-52
	194-8		192-8		87-52
09159-14020	181-18		193-5		88-52
	182-18		194-5		89-52
	183-18	09159-28003	119-4		90-52

PART NO.	FIG.NO.-REF.NO.	PART NO.	FIG.NO.-REF.NO.	PART NO.	FIG.NO.-REF.NO.
09160-06047	91-52		102-10		280-28
	275-41		103-10		281-28
	276-41		104-10		282-28
	277-41		105-10		283-28
	278-41		106-10		284-28
	279-41	09160-06104	307-53		285-28
	280-41		312-20		286-28
	281-41	09160-08016	40-6		287-28
	282-41	09160-08151	107-10		288-28
	283-41		108-10	09160-13016	181-13
284-41		109-10		182-13	
285-41		110-10		183-13	
286-41		111-10		184-13	
287-41		112-10		185-13	
288-41		113-10		186-13	
09160-06055	302-10		114-10		187-13
09160-06066	92-11		115-10		188-13
09160-06082	195-20		116-10		189-13
	196-20		117-10		190-13
	197-20		118-10		191-13
	198-20	09160-10104	26-11		192-13
	199-20	09160-10141	261-6		193-9
	200-20		262-6	09160-13017	194-9
	201-20		263-5		181-12
	202-20		265-8		182-12
	203-20		267-5		183-12
	204-20		268-5		184-12
	205-20		269-8		185-12
	206-20		270-8		186-12
	207-22		271-5		187-12
	208-22		272-5		188-12
09160-06084	43-61		273-8		189-12
	44-57		274-8		190-12
	45-61	09160-12066	263-6		191-12
	46-57		264-5		192-12
	47-61		265-9		193-10
	48-57		266-8		194-10
	49-61		267-6	09160-14066	249-23
	50-57		268-6		250-19
	51-61		269-9		251-23
	52-57		270-9		252-19
	53-61		271-6		253-23
	54-57		272-6		254-23
09160-06094	95-10		273-9		255-23
	96-10		274-9		256-23
	97-10	09160-13014	275-28		257-23
	98-10		276-28		258-23
	99-10		277-28		259-23
	100-10		278-28		260-23
	101-10		279-28		261-18

PART NO.	FIG.NO.-REF.NO.	PART NO.	FIG.NO.-REF.NO.	PART NO.	FIG.NO.-REF.NO.
09160-15051	262-18		272-30		127-11-11
	237-29		273-33		128-11-11
	238-29		274-33	09160-30055	121-24
	239-29	09160-18031	13-8		122-24
	240-29	09160-30036	119-11-2		125-24
	241-29		120-11-2		126-24
	242-29		123-11-2		129-24
	243-29		124-11-2	09160-30056	130-24
	244-29		127-11-2		121-25
	245-29		128-11-2		122-25
246-29	09160-30037	119-11-3		125-25	
247-29		120-11-3		126-25	
248-29		123-11-3		129-25	
249-16		124-11-3		130-25	
249-18		127-11-3	09160-35002	121-10-6	
250-12		128-11-3		122-10-6	
250-14	09160-30038	119-11-4		125-10-6	
251-16		120-11-4		126-10-6	
251-18		123-11-4		129-10-6	
252-12		124-11-4		130-10-6	
252-14		127-11-4	09160-35003	121-10-8	
253-16		128-11-4		122-10-8	
253-18	09160-30039	119-11-6		125-10-8	
254-16		120-11-6		126-10-8	
254-18		123-11-6		129-10-8	
255-16		124-11-6		130-10-8	
255-18		127-11-6	09160-35004	121-10-4	
256-16		128-11-6		122-10-4	
256-18	09160-30041	119-11-7		125-10-4	
257-16		120-11-7		126-10-4	
257-18		123-11-7		129-10-4	
258-16		124-11-7	09160-35006	130-10-4	
258-18		127-11-7		121-10-5	
259-16		128-11-7		122-10-5	
259-18	09160-30042	119-11-9		125-10-5	
260-16		120-11-9		126-10-5	
260-18		123-11-9		129-10-5	
261-11		124-11-9		130-10-5	
261-13		127-11-9	09160-35008	121-10-7	
262-11		128-11-9		122-10-7	
262-13	09160-30043	119-11-10		125-10-7	
263-30		120-11-10		126-10-7	
264-27		123-11-10		129-10-7	
265-33		124-11-10		130-10-7	
266-30		127-11-10	09160-35009	121-10-9	
267-30		128-11-10		122-10-9	
268-30	09160-30044	119-11-11		125-10-9	
269-33		120-11-11		126-10-9	
270-33		123-11-11		129-10-9	
271-30		124-11-11		130-10-9	

PART NO.	FIG.NO.-REF.NO.	PART NO.	FIG.NO.-REF.NO.	PART NO.	FIG.NO.-REF.NO.
09160-35010	121-10-3		215-26		10-13
	122-10-3		216-26		11-13
	125-10-3		217-26		12-13
	126-10-3		218-26	09169-05018	84-7
	129-10-3		219-26		85-7
09160-35013	130-10-3		220-26		86-7
	121-10-2	09164-14008	221-21		87-7
	122-10-2		222-21		88-7
	125-10-2		275-29		89-7
	126-10-2		276-29		90-7
129-10-2	277-29			91-7	
09160-35015	130-10-2		278-29	09169-06062	43-15
	121-10-1		279-29		43-62
	122-10-1		280-29		44-11
	125-10-1		281-29		44-58
	126-10-1		282-29		45-15
09160-39001	129-10-1		283-29		45-62
	130-10-1		284-29		46-11
	195-9		285-29		46-58
	196-9		286-29		47-15
	197-9	09168-10034	287-29		47-62
198-9	288-29			48-11	
199-9	263-14			48-58	
200-9	264-11			49-15	
201-9	265-17			49-62	
09160-75002	202-9		266-14		50-11
	203-9		267-14		50-58
	204-9		268-14		51-15
	205-9		269-17		51-62
	206-9		270-17		52-11
	207-8		271-14		52-58
	208-8		272-14		53-15
	119-12		273-17		53-62
	120-12		274-17		54-11
	121-11	09168-12012	94-15		54-58
09162-10005	122-11	09168-12013	43-17		144-5
	123-12		45-17		157-4
	124-12		47-17		158-4
	125-11		49-17		159-4
	126-11		51-17		160-4
	127-12		53-17		161-4
	128-12	09168-16009	1-13		162-4
	129-11		2-13		163-4
	130-11		3-13		164-4
	209-26		4-13		165-4
09160-35010	210-26		5-13		166-4
	211-26		6-13		167-4
	212-26		7-13		168-4
	213-26		8-13	09169-08038	237-40
	214-26		9-13		238-40

PART NO.	FIG.NO.-REF.NO.	PART NO.	FIG.NO.-REF.NO.	PART NO.	FIG.NO.-REF.NO.
			239-40		198-10
			240-40		199-10
			241-40		200-10
			242-40	09181-50013	201-10
			243-40		202-10
			244-40		203-10
			245-40		204-10
			246-40		205-10
			247-40		206-10
			248-40	09181-60004	207-9
09169-08039			275-17		208-9
		09181-50005	276-17		119-14-3
			277-17		120-14-3
			278-17		123-14-3
			279-17		124-14-3
09160-35010			280-17		127-14-3
			281-17	09181-50006	128-14-3
			282-17		119-14-4
			283-17		120-14-4
			284-17		123-14-4
09160-75002			285-17		124-14-4
			286-17		127-14-4
			287-17	09181-50007	128-14-4
			288-17		119-14-5
		09169-08042	43-66		120-14-5
			44-62		123-14-5
			45-66		124-14-5
			46-62		127-14-5
			47-66		128-14-5
			48-62	09181-50008	119-14-6
09160-75002			49-66		120-14-6
			50-62		123-14-6
			51-66		124-14-6
			52-62		127-14-6
			53-66		128-14-6
			54-62	09181-50009	119-14-7
		09169-28003	207-11		120-14-7
			208-11		123-14-7
		09180-06186	92-12		124-14-7
		09180-06230	92-13		127-14-7
09160-75002		09180-25082	119-25		128-14-7
			120-25	09181-50010	119-14-8
			123-25		120-14-8
			124-25		123-14-8
			127-25		124-14-8
			128-25		127-14-8
		09181-12158	93-9		128-14-8
		09181-39001	195-10	09181-50012	119-14-2
			196-10		120-14-2
			197-10		123-14-2
09160-35010					124-14-2
					127-14-2
					128-14-2
					119-14-1
					120-14-1
09160-35013					123-14-1
					124-14-1
					127-14-1
					128-14-1
					119-7-1
09160-35015					120-7-1
					121-7-1
					121-12-1
					122-7-1
					122-12-1
09160-39001					123-7-1
					124-7-1
					125-7-1
					125-12-1
					126-7-1
09160-75002					126-12-1
					127-7-1
					128-7-1
					129-7-1
					129-12-1
09162-10005					130-7-1
					130-12-1
					119-7-2
					120-7-2
					121-7-2
09160-75002					121-12-2
					122-7-2
					122-12-2
					123-7-2
					124-7-2
09160-75002					125-7-2
					125-12-2
					126-7-2
					126-12-2
					127-7-2
09162-10005					128-7-2
					129-7-2
					129-12-2
					130-7-2
					130-12-2
09160-75002					119-7-3
					120-7-3
					121-7-3
					121-12-3
					122-7-3

PART NO.	FIG.NO.-REF.NO.	PART NO.	FIG.NO.-REF.NO.	PART NO.	FIG.NO.-REF.NO.
	122-12-3		120-7-6		129-12-8
	123-7-3		121-7-6		130-7-8
	124-7-3		121-12-6		130-12-8
	125-7-3		122-7-6	09181-60012	119-7-9
	125-12-3		122-12-6		120-7-9
	126-7-3		123-7-6		121-7-9
	126-12-3		124-7-6		121-12-9
	127-7-3		125-7-6		122-7-9
	128-7-3		125-12-6		122-12-9
	129-7-3		126-7-6		123-7-9
	129-12-3		126-12-6		124-7-9
09181-60007	130-7-3		127-7-6		125-7-9
	130-12-3		128-7-6		125-12-9
	119-7-4		129-7-6		126-7-9
	120-7-4		129-12-6		126-12-9
	121-7-4	09181-60010	130-7-6		127-7-9
	121-12-4		130-12-6		128-7-9
	122-7-4		119-7-7		129-7-9
	122-12-4		120-7-7		129-12-9
	123-7-4		121-7-7		130-7-9
	124-7-4		121-12-7	09181-60013	130-12-9
	125-7-4		122-7-7		119-7-10
	125-12-4		122-12-7		120-7-10
	126-7-4		123-7-7		121-7-10
	126-12-4		124-7-7		121-12-10
	127-7-4		125-7-7		122-7-10
	128-7-4		125-12-7		122-12-10
	129-7-4		126-7-7		123-7-10
	129-12-4		126-12-7		124-7-10
	130-7-4		127-7-7		125-7-10
09181-60008	130-12-4		128-7-7		125-12-10
	119-7-5		129-7-7		126-7-10
	120-7-5		129-12-7		126-12-10
	121-7-5		130-7-7		127-7-10
	121-12-5		130-12-7		128-7-10
	122-7-5	09181-60011	119-7-8		129-7-10
	122-12-5		120-7-8		129-12-10
	123-7-5		121-7-8		130-7-10
	124-7-5		121-12-8		130-12-10
	125-7-5		122-7-8	09181-75008	119-15-5
	125-12-5		122-12-8		120-15-5
	126-7-5		123-7-8		121-13-5
	126-12-5		124-7-8		122-13-5
	127-7-5		125-7-8		123-15-5
	128-7-5		125-12-8		124-15-5
	129-7-5		126-7-8		125-13-5
	129-12-5		126-12-8		126-13-5
	130-7-5		127-7-8		127-15-5
	130-12-5		128-7-8		128-15-5
09181-60009	119-7-6		129-7-8		129-13-5

PART NO.	FIG.NO.-REF.NO.	PART NO.	FIG.NO.-REF.NO.	PART NO.	FIG.NO.-REF.NO.
	130-13-5		120-15-4		122-13-1
09181-75009	119-15-7		121-13-4		123-15-1
	120-15-7		122-13-4		124-15-1
	121-13-7		123-15-4		125-13-1
	122-13-7		124-15-4		126-13-1
	123-15-7		125-13-4		127-15-1
	124-15-7		126-13-4		128-15-1
	125-13-7		127-15-4		129-13-1
	126-13-7		128-15-4		130-13-1
	127-15-7		129-13-4	09181-75019	119-15-2
	128-15-7		130-13-4		120-15-2
	129-13-7	09181-75014	119-15-6		121-13-2
	130-13-7		120-15-6		122-13-2
09181-75010	119-15-9		121-13-6		123-15-2
	120-15-9		122-13-6		124-15-2
	121-13-9		123-15-6		125-13-2
	122-13-9		124-15-6		126-13-2
	123-15-9		125-13-6		127-15-2
	124-15-9		126-13-6		128-15-2
	125-13-9		127-15-6		129-13-2
	126-13-9		128-15-6	09202-04022	130-13-2
	127-15-9		129-13-6		275-30
	128-15-9		130-13-6		276-30
	129-13-9	09181-75015	119-15-8		277-30
	130-13-9		120-15-8		278-30
09181-75011	119-15-11		121-13-8		279-30
	120-15-11		122-13-8		280-30
	121-13-11		123-15-8		281-30
	122-13-11		124-15-8		282-30
	123-15-11		125-13-8		283-30
	124-15-11		126-13-8		284-30
	125-13-11		127-15-8		285-30
	126-13-11		128-15-8		286-30
	127-15-11		129-13-8		287-30
	128-15-11		130-13-8		288-30
	129-13-11	09181-75016	119-15-10	09202-05032	28-8
	130-13-11		120-15-10		29-8
09181-75012	119-15-3		121-13-10		30-8
	120-15-3		122-13-10		31-8
	121-13-3		123-15-10		32-8
	122-13-3		124-15-10		33-8
	123-15-3		125-13-10		34-8
	124-15-3		126-13-10		35-8
	125-13-3		127-15-10		36-9
	126-13-3		128-15-10		37-9
	127-15-3		129-13-10		38-9
	128-15-3		130-13-10		39-9
	129-13-3	09181-75018	119-15-1	09202-06031	67-16
	130-13-3		120-15-1		68-16
09181-75013	119-15-4		121-13-1		69-16

PART NO.	FIG.NO.-REF.NO.	PART NO.	FIG.NO.-REF.NO.	PART NO.	FIG.NO.-REF.NO.
	70-16		266-10		200-21
	71-16		267-10		201-21
	72-16		268-10		202-21
	73-16		269-13		203-21
	74-16		270-13		204-21
	75-16		271-10		205-21
	76-16		272-10		206-21
	77-16		273-13		207-23
	78-16		274-13		208-23
	132-3	09202-08007	119-19	09204-03003	263-31
	133-3		120-19		264-28
	134-3		121-17		265-34
	135-3		122-17		266-31
	136-3		123-19		267-31
	137-3		124-19		268-31
	138-3		125-17		269-34
	139-3		126-17		270-34
	140-3		127-19		271-31
	141-3		128-19		272-31
	142-3		129-17		273-34
	143-3		130-17		274-34
09202-08006	94-17	09204-01004	80-25	09205-02006	107-4
	94-18		81-25		108-4
	249-3		82-25		109-4
	249-10		83-25		110-4
	250-3		84-39		111-4
	251-3		85-39		112-4
	251-10		86-39		113-4
	252-3		87-39		114-4
	253-3		88-39		115-4
	253-10		89-39		116-4
	254-3		90-39		117-4
	254-10		91-39		118-4
	255-3	09204-01006	95-11	09205-10006	95-12
	255-10		96-11		96-12
	256-3		97-11		97-12
	256-10		98-11		98-12
	257-3		99-11		99-12
	257-10		100-11		100-12
	258-3		101-11		101-12
	258-10		102-11		102-12
	259-3		103-11		103-12
	259-10		104-11		104-12
	260-3		105-11		105-12
	260-10		106-11		106-12
	261-3		195-21	09206-08001	1-3
	262-3		196-21		1-7
	263-10		197-21		2-3
	264-7		198-21		2-7
	265-13		199-21		3-3

PART NO.	FIG.NO.-REF.NO.	PART NO.	FIG.NO.-REF.NO.	PART NO.	FIG.NO.-REF.NO.
	3-7		3-21		287-48
	4-3		4-21		288-48
	4-7		5-21	09251-09002	157-26
	5-3		6-21		158-26
	5-7		7-21		159-26
	6-3		8-21		160-26
	6-7		9-21		161-26
	7-3		10-21		162-26
	7-7		11-21		163-26
	8-3		12-21		164-26
	8-7	09246-05006	13-17		165-26
	9-3	09247-14041	55-11		166-26
	9-7		57-11		167-26
	9-28		59-11		168-26
	10-3		61-11		301-1
	10-7		63-11	09260-10005	95-14
	10-28		65-11		96-14
	11-3	09247-14042	56-11		97-14
	11-7		58-11		98-14
	11-28		60-11		99-14
	12-3		62-11		100-14
	12-7		64-11		101-14
	12-28		66-11		102-14
	237-8	09248-12009	94-16		103-14
	237-16	09248-12011	95-13		104-14
	238-8		96-13		105-14
	238-16		97-13		106-14
	239-8		98-13	09261-05006	28-9
	239-16		99-13		29-9
	240-8		100-13		30-9
	240-16		101-13		31-9
	241-8		102-13		32-9
	241-16		103-13		33-9
	242-8		104-13		34-9
	242-16		105-13		35-9
	243-8		106-13		36-10
	243-16	09248-18006	13-9		37-10
	244-8	09248-26001	13-7		38-10
	244-16	09250-21003	275-48		39-10
	245-8		276-48	09262-17019	95-15
	245-16		277-48		96-15
	246-8		278-48		97-15
	246-16		279-48		98-15
	247-8		280-48		99-15
	247-16		281-48		100-15
	248-8		282-48		101-15
	248-16		283-48		102-15
09206-13019	13-10		284-48		103-15
09206-14004	1-21		285-48		104-15
	2-21		286-48		105-15

PART NO.	FIG.NO.-REF.NO.	PART NO.	FIG.NO.-REF.NO.	PART NO.	FIG.NO.-REF.NO.		
09262-40018 09262-60002	106-15	09269-30014	121-26		6-15		
	27-2		122-26		7-15		
	121-38		125-26		8-15		
	122-38		126-26		9-15		
	125-38		129-26		10-15		
09263-30023	126-38	09269-32001	130-26		11-15		
	129-38		119-5		12-15		
	130-38		120-5		42-8		
	119-27		121-5		94-5		
	120-27		122-5		09280-22020	93-10	
	121-28		123-5		09280-26006	1-34	
	122-28		124-5			2-34	
	123-27		125-5			3-34	
	124-27		126-5			4-34	
	125-28		127-5			5-34	
09263-32017	126-28	09269-75002	128-5		6-34		
	127-27		129-5		7-34		
	128-27		130-5		8-34		
	129-28		119-16		9-35		
	130-28		120-16		10-35		
	263-2		121-14			11-35	
	264-2		122-14			12-35	
	265-2		123-16		09280-29006	79-14	
	266-2		124-16			80-16	
	267-2		125-14			81-16	
	268-2		126-14			82-16	
	269-2		127-16			83-16	
	270-2		128-16			84-27	
	271-2		129-14			85-27	
	272-2		130-14			86-27	
273-2	119-28	87-27					
274-2	120-28	88-27					
09263-50009	119-38	09280-00040	121-29			89-27	
	120-38		122-29			90-27	
	121-32		123-28			91-27	
	122-32		124-28			09280-60007	107-11
	123-38		125-29				108-11
	124-38		126-29			109-11	
	125-32		127-28			110-11	
	126-32		128-28			111-11	
	127-38		129-29			112-11	
	128-38		130-29			113-11	
09265-50002	129-32	09280-09008	94-27		114-11		
	130-32	09280-10009	13-12		115-11		
	265-5	09280-10016	13-13		116-11		
	266-5	09280-22019	1-15		117-11		
	269-5		2-15		118-11		
	270-5		3-15		09280-66004	119-34	
	273-5		4-15			120-34	
	274-5		5-15			121-35	

PART NO.	FIG.NO.-REF.NO.	PART NO.	FIG.NO.-REF.NO.	PART NO.	FIG.NO.-REF.NO.	
09280-70012 09282-08005	122-35		199-11		09306-06004	95-17
	123-34		200-11		96-17	
	124-34		201-11		97-17	
	125-35		202-11		98-17	
	126-35		203-11		99-17	
	127-34		204-11		100-17	
	128-34		205-11		101-17	
	129-35		206-11		102-17	
	130-35		207-12		103-17	
	27-6		208-12		104-17	
09282-24004	107-7	09283-32044 09283-91001 09289-05012	27-4		105-17	
	108-7		26-13		106-17	
	109-7		28-21		09306-10001	95-18
	110-7		29-21		96-18	
	111-7		30-21		97-18	
	112-7		31-21		98-18	
	113-7		32-21		99-18	
	114-7		33-21		100-18	
	115-7		34-21		101-18	
	116-7		35-21		102-18	
	117-7		36-22		103-18	
	118-7		37-22		104-18	
	119-35		38-22		105-18	
	120-35		39-22		106-18	
	121-36		95-16		09306-13007	275-32
122-36	96-16	276-32				
123-35	97-16	277-32				
124-35	98-16	278-32				
125-36	99-16	279-32				
126-36	100-16	280-32				
127-35	101-16	281-32				
128-35	102-16	282-32				
129-36	103-16	283-32				
130-36	104-16	284-32				
119-29	105-16	285-32				
09282-30006	120-29	09306-04005	106-16		286-32	
	121-30		275-31		287-32	
	122-30		276-31		288-32	
	123-29		277-31		09306-17001	221-22
	124-29		278-31		222-22	
	125-30		279-31		09306-24001	209-27
	126-30		280-31		210-27	
	127-29		281-31		211-27	
	128-29		282-31		212-27	
	129-30		283-31		213-27	
130-30	284-31	214-27				
09282-39001	195-11		285-31		215-27	
	196-11		286-31		216-27	
	197-11		287-31		217-27	
	198-11		288-31		218-27	

PART NO.	FIG.NO.-REF.NO.	PART NO.	FIG.NO.-REF.NO.	PART NO.	FIG.NO.-REF.NO.
09320-04009	219-27	09320-11013	168-6	09329-10022	289-20
	220-27		275-18		290-20
	157-5		276-18		291-20
	158-5		277-18		292-20
	159-5		278-18		293-20
	160-5		279-18		294-20
	161-5		280-18		295-20
	162-5		281-18		296-20
	163-5		282-18		297-20
	164-5		283-18		298-20
09320-08062	165-5	09320-12014	284-18	09343-75001-600	299-20
	166-5		285-18		300-20
	167-5		286-18		43-10
	168-5		287-18		43-36
	55-12		288-18		43-48
	56-12		79-15		44-32
	57-12		09320-12072		44-44
	58-12		43-34		44-56
	59-12		44-30		45-10
	60-12		45-34		45-36
09320-08501	61-12	09321-10030	46-30	09352-50903-00B	45-48
	62-12		47-34		46-44
	63-12		48-30		46-56
	64-12		49-34		47-10
	65-12		50-30		47-36
	66-12		51-34		47-48
	43-12		52-30		48-32
	44-8		53-34		48-44
	45-12		54-30		48-56
	46-8		275-13		49-10
09320-09016	47-12	09329-06002	276-13	09352-70103-600	49-36
	48-8		277-13		49-48
	49-12		278-13		50-32
	50-8		279-13		50-44
	51-12		280-13		50-56
	52-8		281-13		51-10
	53-12		282-13		51-36
	54-8		283-13		51-48
	144-6		284-13		52-32
	157-6		285-13		52-44
09320-09016	158-6	09329-06002	286-13	09352-50823-600	52-56
	159-6		287-13		53-10
	160-6		288-13		53-36
	161-6		84-61		53-48
	162-6		85-61		54-32
	163-6		86-61		54-44
	164-6		87-61		54-56
	165-6		88-61		43-57
	166-6		89-61		43-58
	167-6		90-61		
	91-61				

PART NO.	FIG.NO.-REF.NO.	PART NO.	FIG.NO.-REF.NO.	PART NO.	FIG.NO.-REF.NO.
09360-14009	44-68	09355-35754-601	87-10	09360-12008	50-14
	44-69		88-10		52-14
	45-57		89-10		54-14
	45-58		90-10		55-13
	46-68		91-10		57-13
	46-69		84-11		59-13
	47-57		84-33		61-13
	47-58		84-34		63-13
	48-68		85-11		65-13
	48-69		85-33		56-13
09360-14014	49-57	09355-40805-00B	85-34	09360-12013	58-13
	49-58		86-11		60-13
	50-68		86-33		62-13
	50-69		86-34		64-13
	51-57		87-11		66-13
	51-58		87-33		263-21
	52-68		87-34		264-18
	52-69		88-11		265-24
	53-57		88-33		266-21
	53-58		88-34		267-21
09352-50903-00B	54-68	09352-50903-600	89-11	09363-08004	268-21
	54-69		89-33		269-24
	79-23		89-34		270-24
	79-24		90-11		271-21
	305-7		90-33		272-21
	79-16		90-34		273-24
	79-17		91-11		274-24
	79-18		91-33		43-19
	79-19		91-34		45-19
	79-20		263-20		47-19
09352-70103-600	79-21	09367-06002	264-17	09367-06006	49-19
	79-22		265-23		51-19
	305-6		266-20		53-19
	275-42		267-20		79-26
	276-42		268-20		305-8
	277-42		269-23		301-2
	278-42		270-23		221-23
	279-42		271-20		222-23
	280-42		272-20		209-28
	281-42		273-23		210-28
09360-12008	282-42	09367-10001	274-23	09380-17009	211-28
	283-42		275-23		212-28
	284-42		43-18		213-28
	285-42		45-18		214-28
	286-42		47-18		215-28
	287-42		49-18		216-28
	288-42		51-18		217-28
	84-10		53-18		218-28
	85-10		44-14		219-28
	86-10		46-14		220-28
	48-14				

PART NO.	FIG.NO.-REF.NO.	PART NO.	FIG.NO.-REF.NO.	PART NO.	FIG.NO.-REF.NO.
09380-38003	195-12	09401-08412	259-5	09401-14409	65-20
	196-12		260-5		66-20
	197-12		43-59		301-3
	198-12		44-70		301-6
	199-12		45-59		79-28
	200-12		46-70		79-37
	201-12		47-59		09401-15414
	202-12		48-70		09401-18410
	203-12		49-59		1-32
	204-12		50-70		1-39
09381-22010	205-12	09401-08413	51-59	09401-11414	2-32
	206-12		52-70		2-39
	207-10		53-59		3-32
	208-10		54-70		3-39
	26-4		79-27		4-32
	119-30		305-9		4-39
	120-30		43-37		5-32
	121-31		44-33		5-39
	122-31		45-37		6-32
	123-30		46-33		6-39
09381-40003	124-30	09401-11414	47-37	09401-11414	7-32
	125-31		48-33		7-39
	126-31		49-37		8-32
	127-30		50-33		8-39
	128-30		51-37		9-33
	129-31		52-33		9-40
	130-31		53-37		10-33
	95-19		54-33		10-40
	96-19		55-14		11-33
	97-19		56-14		11-40
09383-08004	98-19	09401-11425	57-14	09401-25406	12-40
	99-19		58-14		79-29
	100-19		59-14		145-25
	101-19		60-14		146-25
	102-19		61-14		147-13
	103-19		62-14		148-13
	104-19		63-14		149-13
	105-19		64-14		150-13
	106-19		65-14		151-13
	302-9		66-14		152-13
09385-06012	249-5	09401-13423	55-20	09403-07340	153-13
	250-5		56-20		154-13
	251-5		57-20		155-13
	252-5		58-20		156-13
	253-5		59-20		169-13
	254-5		60-20		170-13
	255-5		61-20		171-13
	256-5		62-20		172-13
	257-5		63-20		173-13
	258-5		64-20		174-13
09387-38002	259-5	09403-09316	175-13	09403-09316	175-13
	260-5		176-13		176-13
	301-3		177-13		177-13
	301-6		178-13		178-13
	79-28		179-13		179-13
	79-37		180-13		180-13
	1-32		181-13		181-13
	1-39		182-13		182-13
	2-32		183-13		183-13
	2-39		184-13		184-13

PART NO.	FIG.NO.-REF.NO.	PART NO.	FIG.NO.-REF.NO.	PART NO.	FIG.NO.-REF.NO.
09403-11315	176-13	09403-19409	64-15	09403-19409	266-22
	177-13		65-15		267-22
	178-13		66-15		268-22
	179-13		145-10		269-25
	180-13		145-19		270-25
	169-10		146-10		271-22
	170-10		146-19		272-22
	171-10		147-10		273-25
	172-10		148-10		274-25
	173-10		149-10		09407-11401
09403-12412	174-10	09403-20308	150-10	09403-20308	92-14
	175-10		151-10		145-12
	176-10		152-10		146-12
	177-10		153-10		147-12
	178-10		154-10		148-12
	179-10		155-10		149-12
	180-10		156-10		150-12
	169-7		145-20		151-12
	170-7		146-20		152-12
	171-7		147-18		153-12
09403-13408	172-7	09407-10404	158-18	09407-10404	154-12
	173-7		159-18		155-12
	174-7		160-18		156-12
	175-7		161-18		157-33
	176-7		162-18		158-33
	177-7		163-18		159-33
	178-7		164-18		160-33
	179-7		165-18		161-33
	180-7		166-18		162-33
	132-13		167-18		163-33
09403-16307	133-13	09407-08401	168-18	09407-08401	164-33
	134-13		79-30		165-33
	135-13		306-4		166-33
	136-13		306-20		167-33
	137-13		306-27		168-33
	138-13		157-32		169-22
	139-13		158-32		170-22
	140-13		159-32		304-6
	141-13		160-32		304-18
	142-13		161-32		275-36
09403-16307	143-13	09407-25402	162-32	09407-25402	276-36
	55-15		163-32		277-36
	56-15		164-32		278-36
	57-15		165-32		279-36
	58-15		166-32		280-36
	59-15		167-32		281-36
	60-15		168-32		282-36
	61-15		263-22		283-36
	62-15		264-19		284-36
	63-15		265-25		285-36
			286-36		

PART NO.	FIG.NO.-REF.NO.	PART NO.	FIG.NO.-REF.NO.	PART NO.	FIG.NO.-REF.NO.
09408-00008	287-36	09408-00135	66-16	09420-05009	288-9
	288-36		55-21		67-17
	79-31		56-21		68-17
	157-20		57-21		69-17
	157-23		58-21		70-17
	158-20		59-21		71-17
	158-23		60-21		72-17
	159-20		61-21		73-17
	159-23		62-21		74-17
	160-20		63-21		75-17
09408-00155	160-23	09408-00155	64-21	09440-07051	76-17
	161-20		65-21		77-17
	161-23		66-21		78-17
	162-20		55-17		95-20
	162-23		56-17		96-20
	163-20		57-17		97-20
	163-23		58-17		98-20
	164-20		59-17		99-20
	164-23		60-17		100-20
	165-20		61-17		101-20
09408-00021	165-23	09408-00184	62-17	09440-09040	102-20
	166-20		63-17		103-20
	166-23		64-17		104-20
	167-20		65-17		105-20
	167-23		66-17		106-20
	168-20		157-21		119-22
	168-23		158-21		120-22
	79-40		159-21		121-20
	144-11		160-21		122-20
	79-39		161-21		123-22
09408-00024	79-32	162-21	124-22		
09408-00056	84-64	163-21	125-20		
09408-00060	85-64	09409-05302-5PK	164-21	09440-19028	126-20
	86-64		165-21		127-22
	87-64		166-21		128-22
	88-64		167-21		129-20
	89-64		168-21		130-20
	90-64		275-9		195-22
	91-64		276-9		196-22
	55-16		277-9		197-22
	56-16		278-9		198-22
	57-16		279-9		199-22
09408-00105	58-16	09408-00105	280-9	09408-00105	200-22
	59-16		281-9		201-22
	60-16		282-9		202-22
	61-16		283-9		203-22
	62-16		284-9		204-22
	63-16		285-9		205-22
	64-16		286-9		206-22
	65-16		287-9		207-24

PART NO.	FIG.NO.-REF.NO.	PART NO.	FIG.NO.-REF.NO.	PART NO.	FIG.NO.-REF.NO.
09440-52003	208-24	09440-52003	163-31	09440-52003	292-30
	119-21		164-10		293-30
	120-21		164-31		294-30
	121-19		165-10		295-30
	122-19		165-31		296-30
	123-21		166-10		297-30
	124-21		166-31		298-30
	125-19		167-10		299-30
	126-19		167-31		300-30
	127-21		168-10		
09443-10043	128-21	09443-10043	168-31	09481-30501	168-31
	129-19		129-19		157-11
	130-19		130-19		158-11
	195-23		195-23		159-11
	196-23		196-23		160-11
	197-23		197-23		161-11
	198-23		198-23		162-11
	199-23		199-23		163-11
	200-23		200-23		164-11
	201-23		201-23		165-11
09481-60401	202-23	09481-60401	166-11	09481-60401	166-11
	203-23		203-23		167-11
	204-23		204-23		168-11
	205-23		205-23		157-27
	206-23		206-23		158-27
	207-25		207-25		159-27
	208-25		208-25		160-27
	304-4		304-4		161-27
	303-5		303-5		162-27
	304-22		304-22		163-27
09471-12103	303-2	09471-12103	164-27	09482-00427	164-27
	304-2		304-2		165-27
	304-9		304-9		166-27
	304-13		304-13		167-27
	304-15		304-15		168-27
	304-19		304-19		1-35
	307-56		307-56		2-35
	157-10		157-10		3-35
	157-31		157-31		4-35
	158-10		158-10		5-35
09481-10501 09481-15501	158-31	09481-10501 09481-15501	6-35	09481-10501 09481-15501	6-35
	159-10		159-10		7-35
	159-31		159-31		8-35
	160-10		160-10		9-36
	160-31		160-31		10-36
	161-10		161-10		11-36
	161-31		161-31		12-36
	162-10		162-10		289-30
	162-31		162-31		290-30
	163-10		163-10		291-30

SUZUKI DF200/225/250 PARTS CATALOGUE

SUZUKI MOTOR CORPORATION All rights reserved

No part of this document may be reproduced or transmitted in any form or by any means, electronic or mechanical, for any purpose, without the express written permission of Suzuki Motor Corporation.

SUZUKI MOTOR CORPORATION

Technical Readiness Group, Quality Administration Department
300 Takatsuka, Minami, Hamamatsu, Japan

Reprint Prohibited

SUZUKI MOTOR CORPORATION
