

SUZUKI

PARTS CATALOGUE

DF9. 9B/15A/20A

DF9.9B/BR

DF9.9BT

DF15A/AR

DF15ATH

DF20A/AR

DF20AT/ATH



OUTBOARD MOTOR

P01/P40

2013-5

1ST EDITION

PREFACE

When it becomes necessary to replace parts on SUZUKI OUTBOARD MOTORS, always use SUZUKI GENUINE PARTS which have passed a strict inspection which guarantees quality and performance.

This parts catalogue covers the list of all service parts for SUZUKI DF9.9B/15A/20A production start 2013.

INSTRUCTIONS FOR QUOTING THE CATALOGUE

1. DIMENSIONS

Dimensions of the parts in this catalogue are indicated in unit millimeters.

2. ABBREVIATIONS

Abbreviations used in this catalogue are as follows:

AR	: As required	NT	: Number of teeth
ASSY	: Assembly	OPT	: Optional
E. NO.	: Engine number	OS	: Over size
F. NO.	: Frame number	STD	: Standard
D	: Diameter of material	T	: Thickness
ID	: Inside diameter	US	: Under size
OD	: Outside diameter	W	: Width
L	: Length	W/	: with
LH(PORT)	: Left hand side	S,L	: Transom type
RH(STBD)	: Right hand side	SUS	: Stainless steel
~123456	: Up to E. NO. 02002F-123456		
123456~	: From E. NO. 02002F-123456		

12 x 34 x 5.6..... Figures in the description column

| | | show the dimensions of parts.

ID OD T(or W, L)

→12345-56781 (Parts No.) : indicates that the parts number was changed to 12345-56781 and the new parts are interchangeable with the former ones but the former ones are not interchangeable with new ones.

←12345-56781 (Parts No.) : indicates that the former and new parts are interchangeable with each other and both are usable.

3. INNER PARTS OF ASSEMBLY

Part name with a dot (.) in front as shown in the description column indicates the component of the assembly also available individually.

4. MODIFICATION NOTICE

A parts bulletin will be sent to you on all occasions when changes in parts occur, including interchangeable modifications between new parts and old ones.

5. NOTE

5-1. There are some different parts from those of production models among spare parts for the administrative reasons and common use of them with other models.

5-2. In respect of rubber hoses and vinyl tubes, please be sure to use them by cutting off according to the length mentioned on parts catalogue or what is actually required on the vehicle.

5-3. Note that the drawings on the illustration page are for ready reference of spare parts number, not to be used as an assembly manual. When assembling, use "SUZUKI SERVICE MANUAL".

6. SPECIFICATION CODE

This catalogue contains the parts for the model designed for the following spec. :

spec. code :	DF9.9B : P1	DF9.9BR : P1
	DF15A : P1	DF15AR : P1
	DF20A : P1, P40	DF20AR : P1

7. MODEL NAME AND ENGINE NUMBER

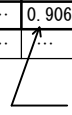
MODEL	DESTINATION	TYPE	TRANSOM	ENGINE NO.
DF9.9B	P01	00995F	S, L	00995F-410001~
DF9.9BR	P01	00995F	S, L	00995F-410001~
DF9.9BT	P01	00995F	S, L	00995F-410001~
DF15A	P01	01504F	S, L	01504F-410001~
DF15AR	P01	01504F	S, L	01504F-410001~
DF15ATH	P01	01504F	S, L	01504F-410001~
DF20A	P01, P40	02002F	S, L	02002F-410001~
DF20AR	P01	02002F	S, L	02002F-410001~
DF20AT	P01	02002F	S, L	02002F-410001~
DF20ATH	P01	02002F	S, L	02002F-410001~

MILLIMETER → INCH CONVERSION CHART

	0	1	2	3	4	5	6	7	8	9
00	.000	.039	.079	.118	.157	.197	.236	.276	.315	.354
10	.394	.433	.472	.512	.551	.591	.630	.669	.709	.748
20	.787	.827	.866	.906	.945	.984	1.024	1.063	1.102	1.142
30	1.181	1.220	1.260	1.299	1.339	1.378	1.417	1.457	1.496	1.535
40	1.575	1.614	1.654	1.693	1.732	1.772	1.811	1.850	1.890	1.929
50	1.969	2.008	2.047	2.087	2.126	2.165	2.205	2.214	2.283	2.323
60	2.362	2.402	2.441	2.480	2.520	2.559	2.598	2.638	2.677	2.717
70	2.756	2.795	2.835	2.874	2.913	2.953	2.992	3.031	3.071	3.110
80	3.150	3.189	3.228	3.268	3.307	3.346	3.386	3.425	3.465	3.504
90	3.543	3.583	3.622	3.661	3.701	3.740	3.780	3.819	3.858	3.898

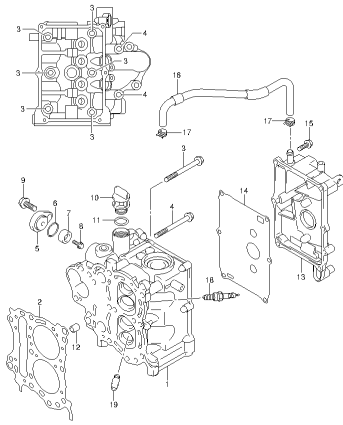
How to read

	0	1	2	3	4
00
10
20	0.906	...
30


 23 millimeters equal 0.906 inch

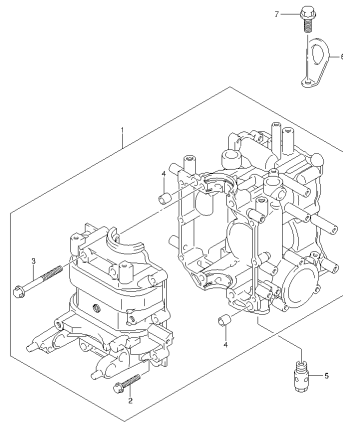
Contents are subject to change without notice or obligation.

FIG.1



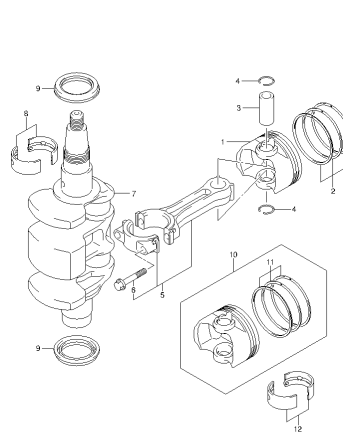
DF20A_F01_014_001
CYLINDER HEAD

FIG.2



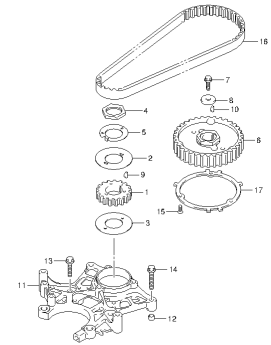
DF20A_F01_014_002
CYLINDER BLOCK

FIG.3



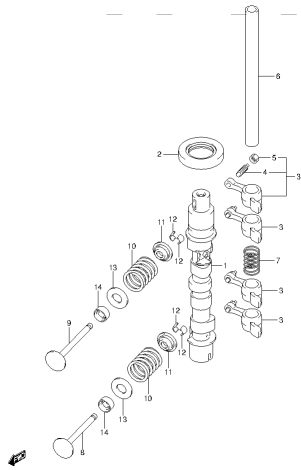
DF20A_F01_014_003
CRANKSHAFT

FIG.4



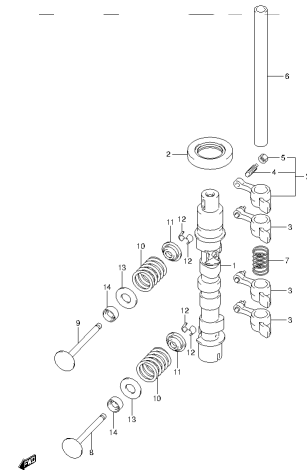
DF20A_F01_014_004
TIMING BELT

FIG.5



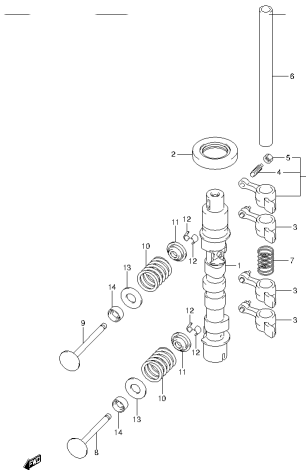
DF20A_F01_014_005
CAMSHAFT

FIG.6



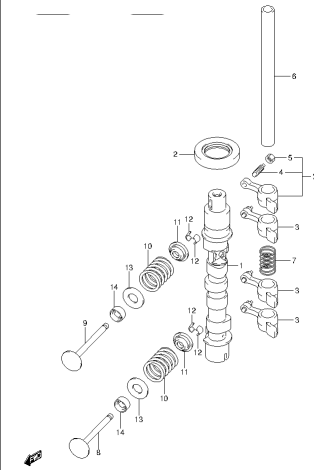
DF20A_F01_014_006
CAMSHAFT

FIG.7



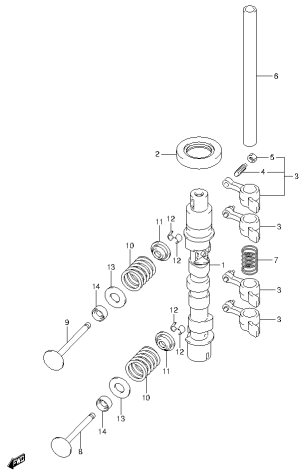
DF20A_F01_014_007
CAMSHAFT

FIG.8



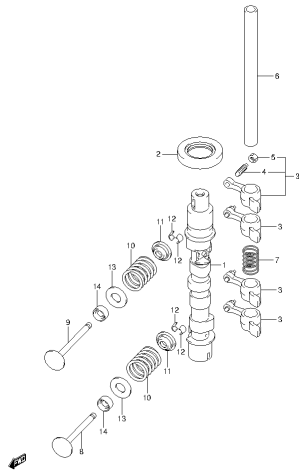
DF20A_F01_014_008
CAMSHAFT

FIG.9



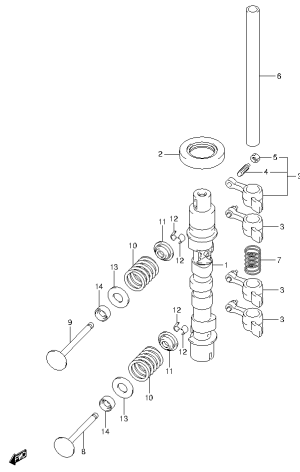
DF20A_F01_014_009
CAMSHAFT

FIG.10



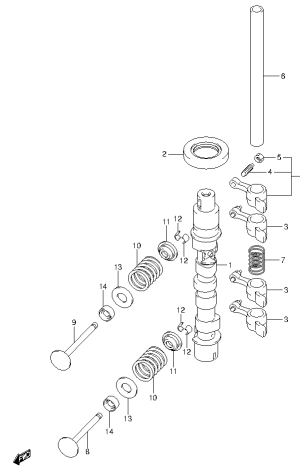
DF20A_F01_014_010
CAMSHAFT

FIG.11



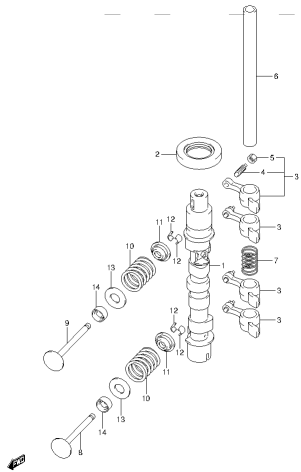
DF20A_F01_014_011
CAMSHAFT

FIG.12



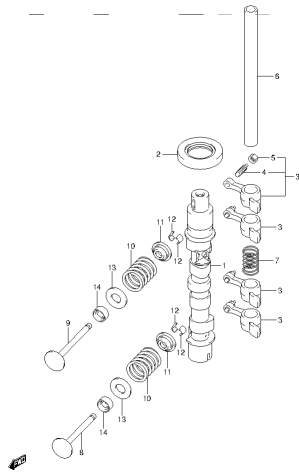
DF20A_F01_014_012
CAMSHAFT

FIG.13



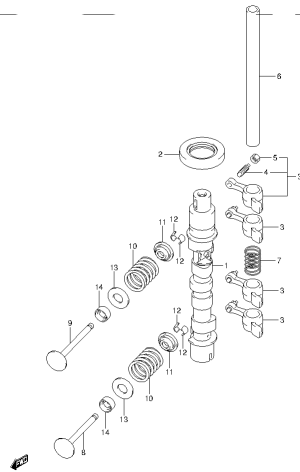
DF20A_F01_014_013
CAMSHAFT

FIG.14



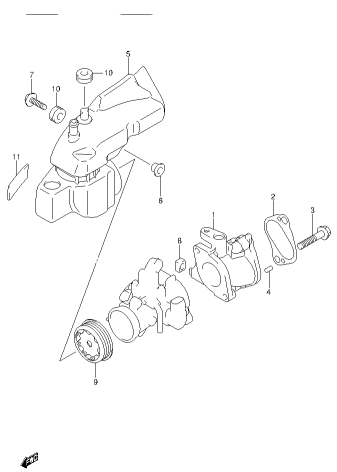
DF20A_F01_014_014
CAMSHAFT

FIG.15



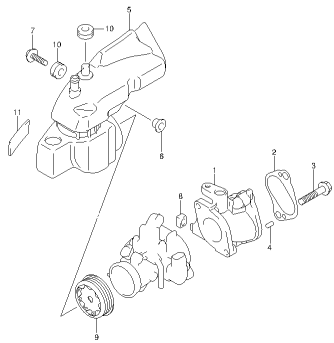
DF20A_F01_014_015
CAMSHAFT

FIG.16



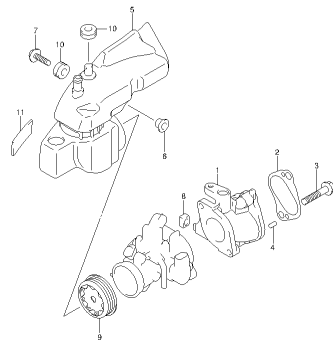
DF20A_F01_014_016
INLET MANIFOLD

FIG.17



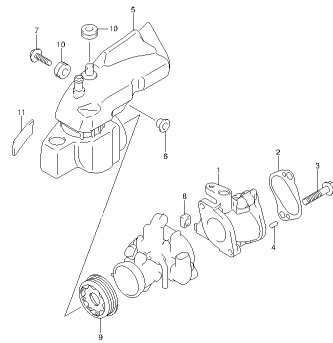
DF20A_F01_014_017
INLET MANIFOLD

FIG.18



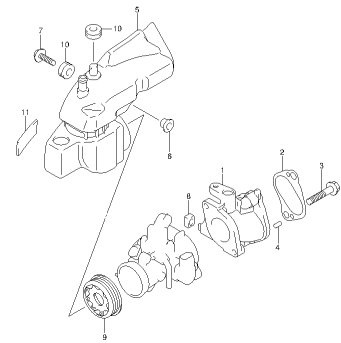
DF20A_F01_014_018
INLET MANIFOLD

FIG.19



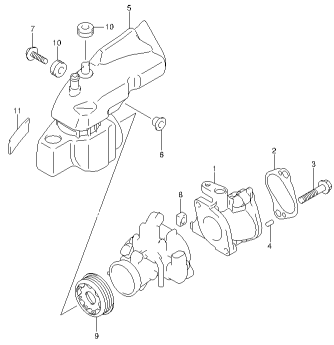
DF20A_F01_014_019
INLET MANIFOLD

FIG.20



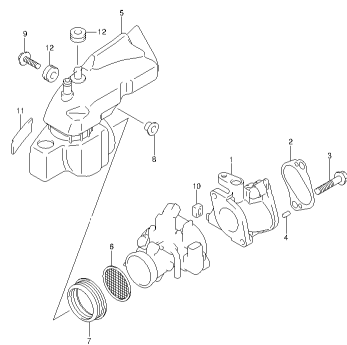
DF20A_F01_014_020
INLET MANIFOLD

FIG.21



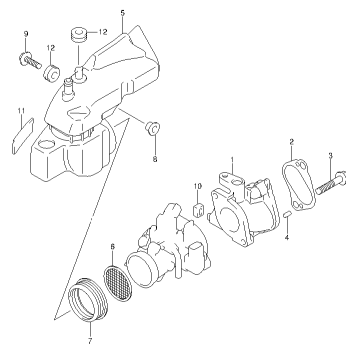
DF20A_F01_014_021
INLET MANIFOLD

FIG.22



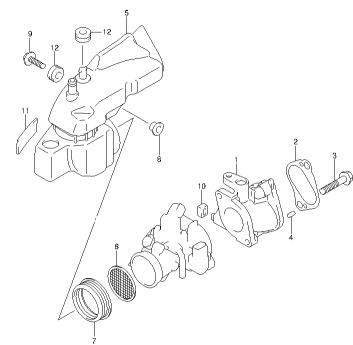
DF20A_F01_014_022
INLET MANIFOLD

FIG.23



DF20A_F01_014_023
INLET MANIFOLD

FIG.24



DF20A_F01_014_024
INLET MANIFOLD

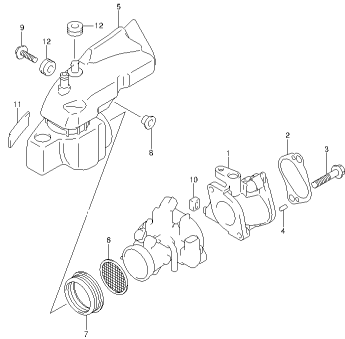
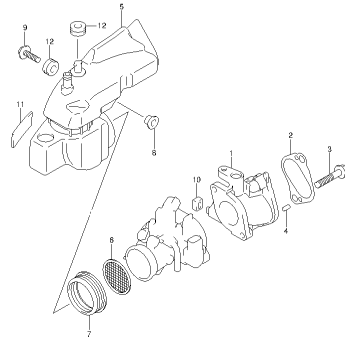
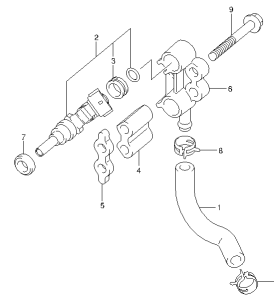
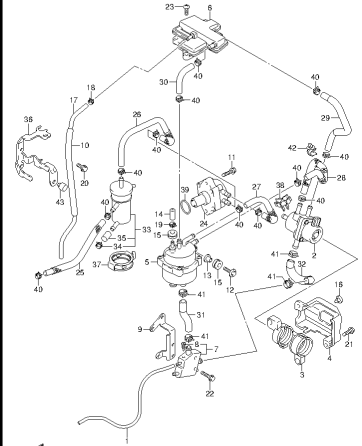
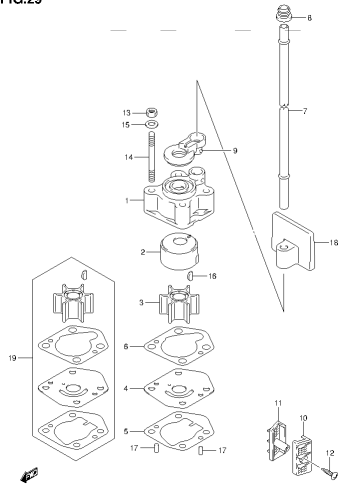
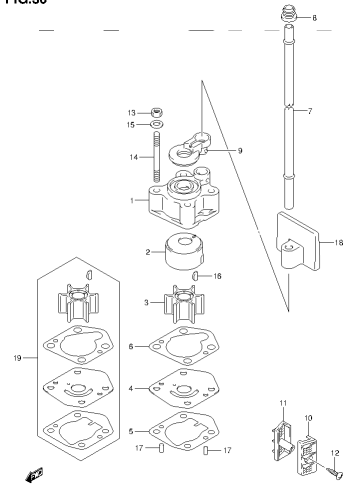
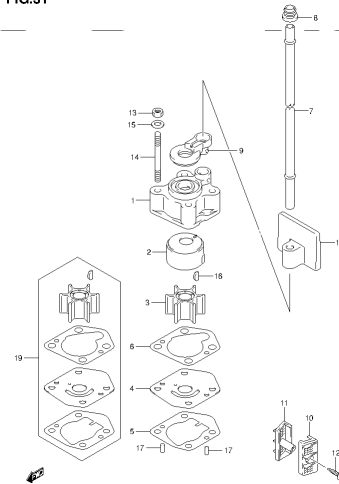
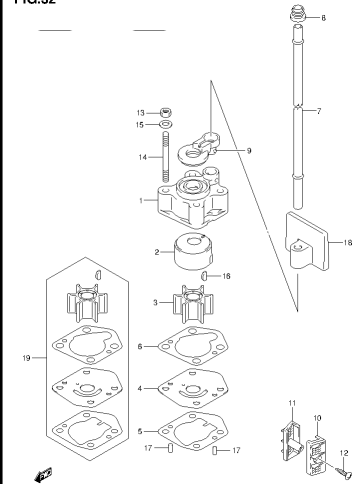
FIG.25DF20A_F01_014_025
INLET MANIFOLD**FIG.26**DF20A_F01_014_026
INLET MANIFOLD**FIG.27**DF20A_F01_014_027
FUEL INJECTOR**FIG.28**DF20A_F01_014_028
FUEL PUMP**FIG.29**DF20A_F01_014_029
WATER PUMP**FIG.30**DF20A_F01_014_030
WATER PUMP**FIG.31**DF20A_F01_014_031
WATER PUMP**FIG.32**DF20A_F01_014_032
WATER PUMP

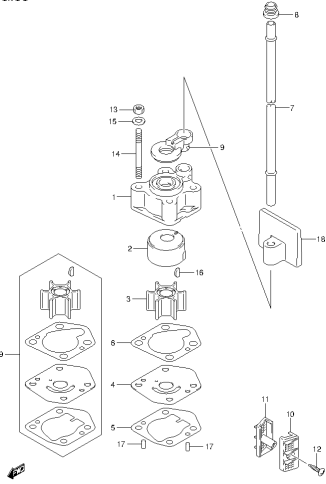
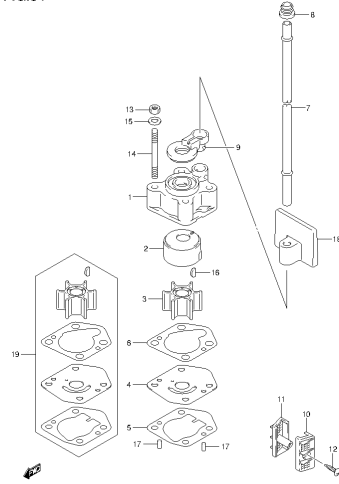
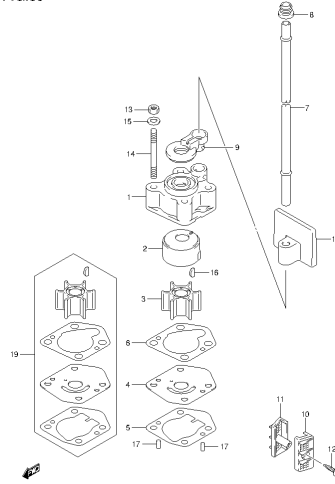
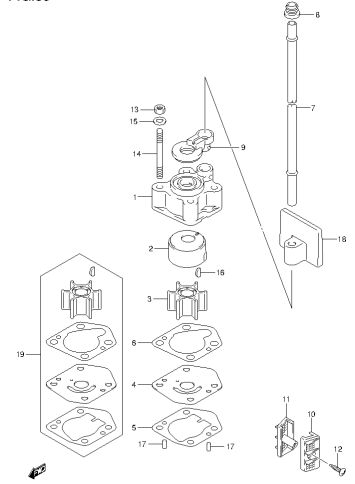
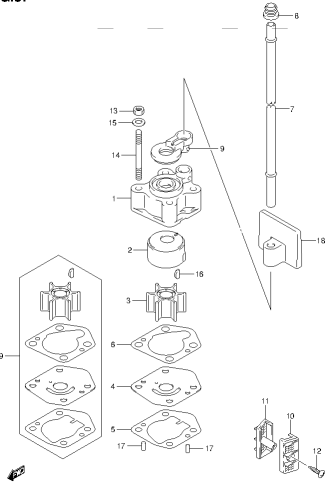
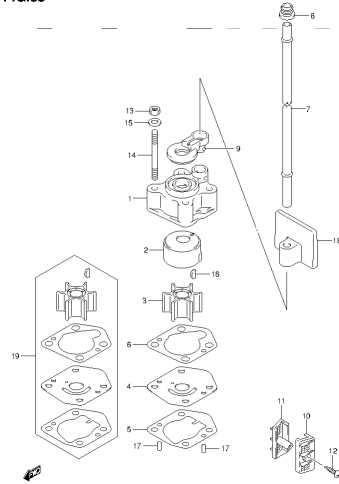
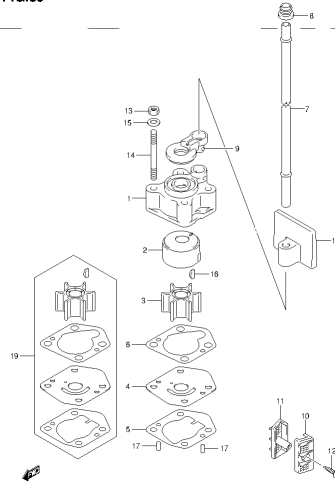
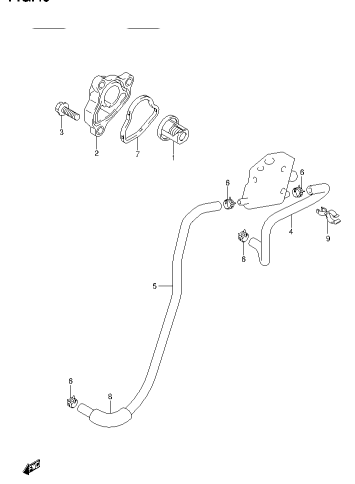
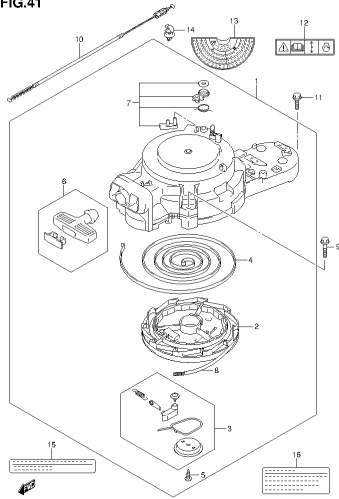
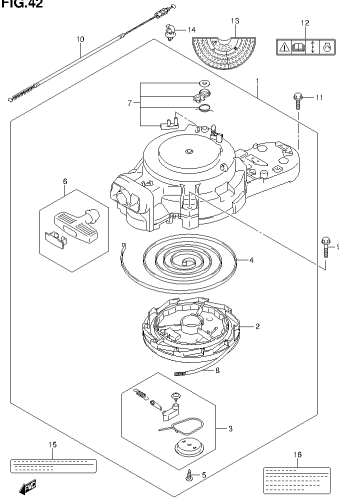
FIG.33DF20A_F01_014_033
WATER PUMP**FIG.34**DF20A_F01_014_034
WATER PUMP**FIG.35**DF20A_F01_014_035
WATER PUMP**FIG.36**DF20A_F01_014_036
WATER PUMP**FIG.37**DF20A_F01_014_037
WATER PUMP**FIG.38**DF20A_F01_014_038
WATER PUMP**FIG.39**DF20A_F01_014_039
WATER PUMP**FIG.40**DF20A_F01_014_040
THERMOSTAT

FIG.41



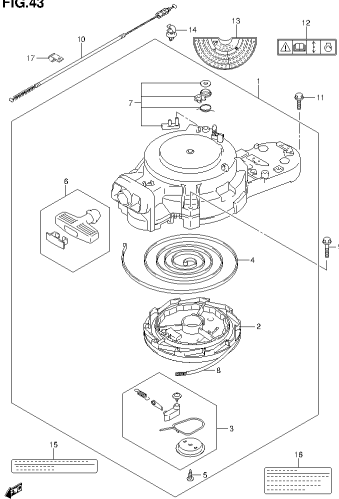
DF20A_F01_014_041
RECOIL STARTER

FIG.42



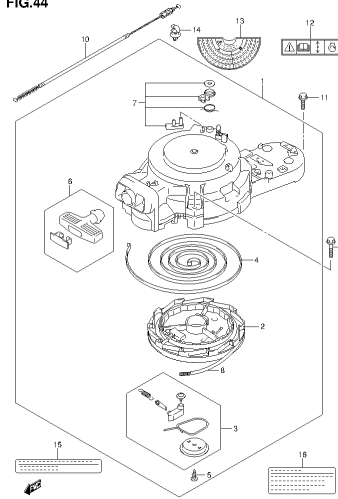
DF20A_F01_014_042
RECOIL STARTER

FIG.43



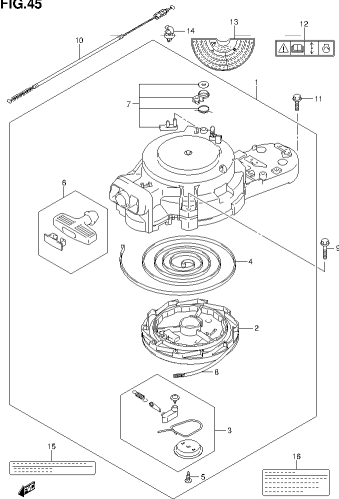
DF20A_F01_014_043
RECOIL STARTER

FIG.44



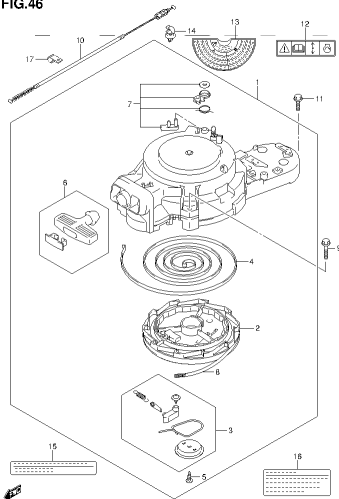
DF20A_F01_014_044
RECOIL STARTER

FIG.45



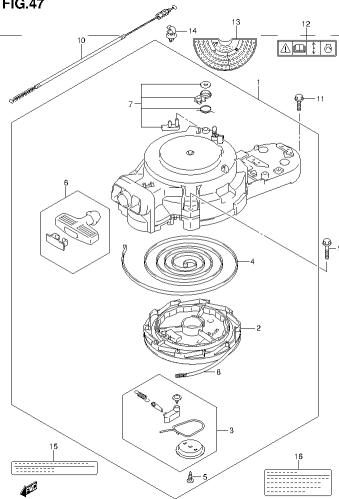
DF20A_F01_014_045
RECOIL STARTER

FIG.46



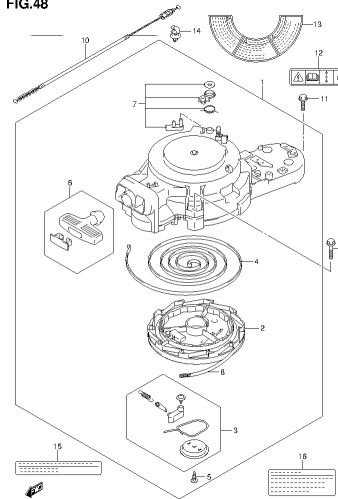
DF20A_F01_014_046
RECOIL STARTER

FIG.47



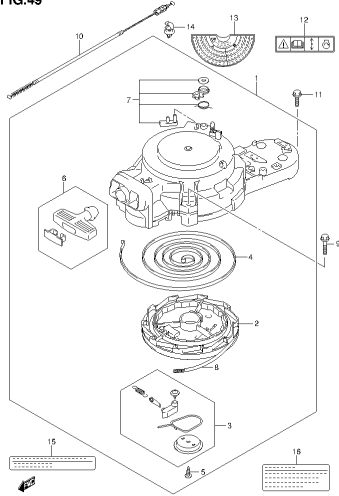
DF20A_F01_014_047
RECOIL STARTER

FIG.48



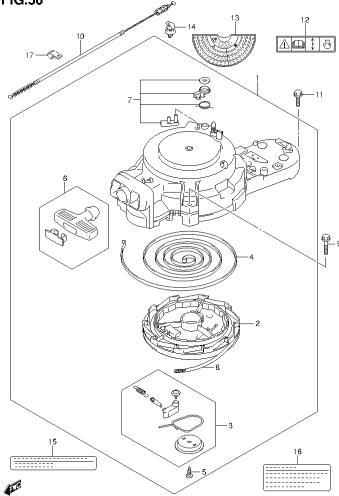
DF20A_F01_014_048
RECOIL STARTER

FIG.49



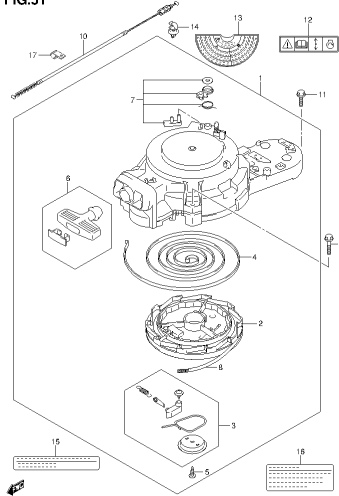
DF20A_F01_014_049
RECOIL STARTER

FIG.50



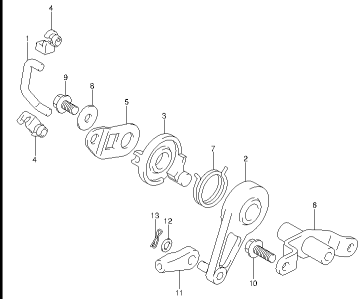
DF20A_F01_014_050
RECOIL STARTER

FIG.51



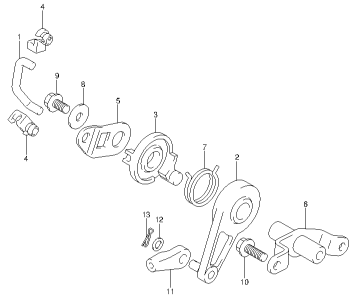
DF20A_F01_014_051
RECOIL STARTER

FIG.52



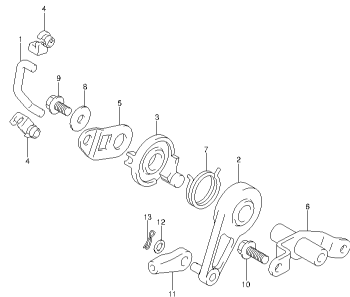
DF20A_F01_014_052
THROTTLE CONTROL

FIG.53



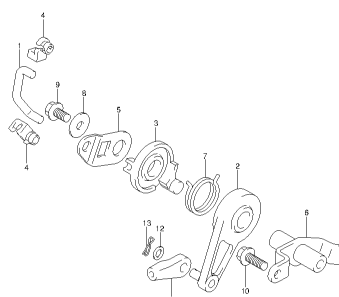
DF20A_F01_014_053
THROTTLE CONTROL

FIG.54



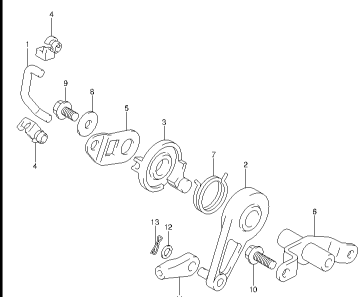
DF20A_F01_014_054
THROTTLE CONTROL

FIG.55



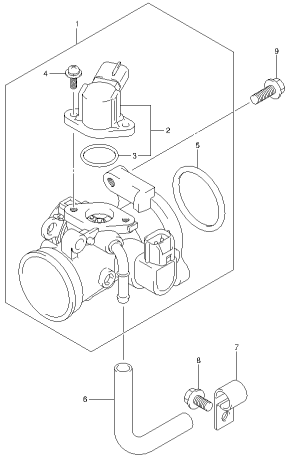
DF20A_F01_014_055
THROTTLE CONTROL

FIG.56



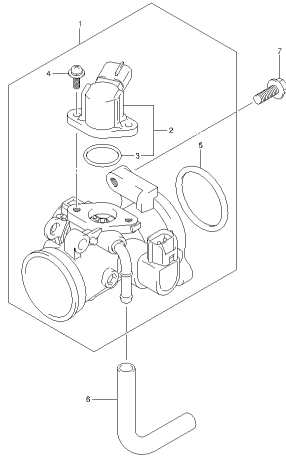
DF20A_F01_014_056
THROTTLE CONTROL

FIG.57



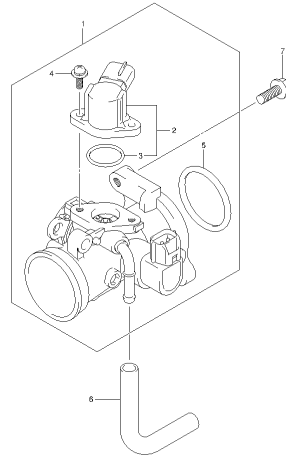
DF20A_F01_014_057
THROTTLE BODY

FIG.58



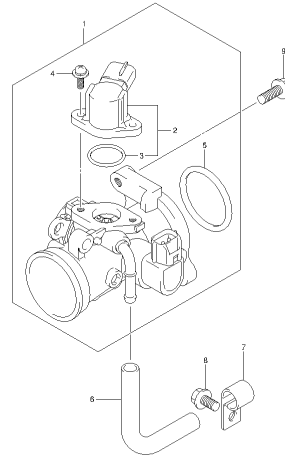
DF20A_F01_014_058
THROTTLE BODY

FIG.59



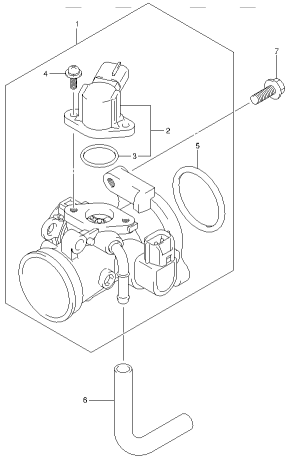
DF20A_F01_014_059
THROTTLE BODY

FIG.60



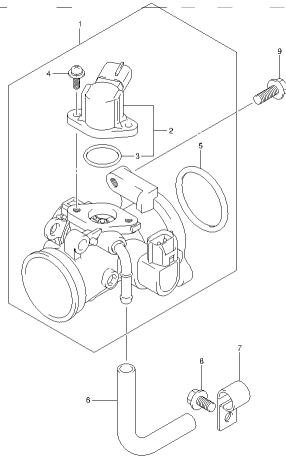
DF20A_F01_014_060
THROTTLE BODY

FIG.61



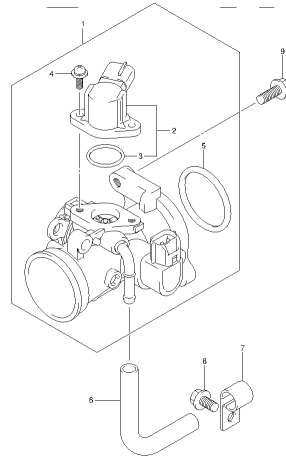
DF20A_F01_014_061
THROTTLE BODY

FIG.62



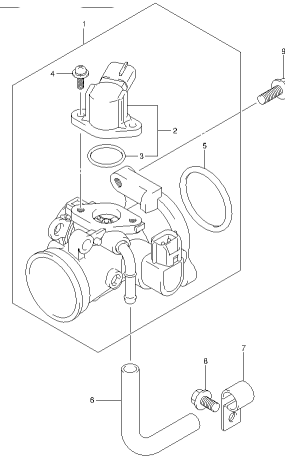
DF20A_F01_014_062
THROTTLE BODY

FIG.63



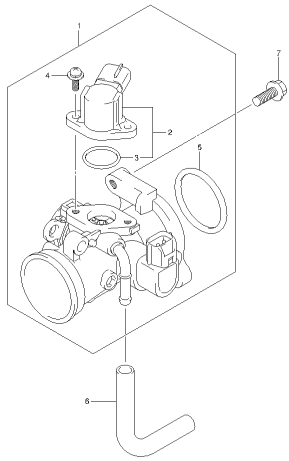
DF20A_F01_014_063
THROTTLE BODY

FIG.64



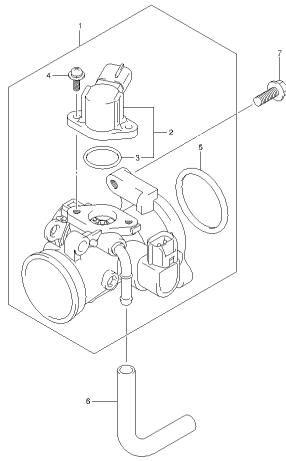
DF20A_F01_014_064
THROTTLE BODY

FIG.65



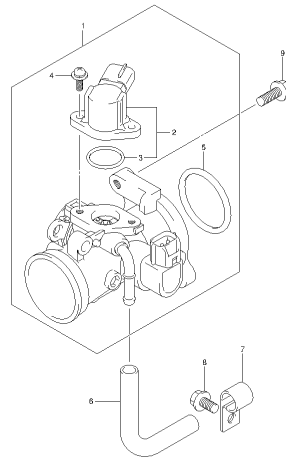
DF20A_F01_014_065
THROTTLE BODY

FIG.66



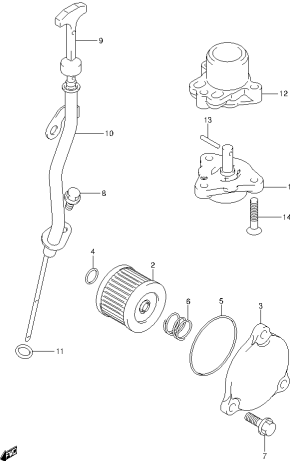
DF20A_F01_014_066
THROTTLE BODY

FIG.67



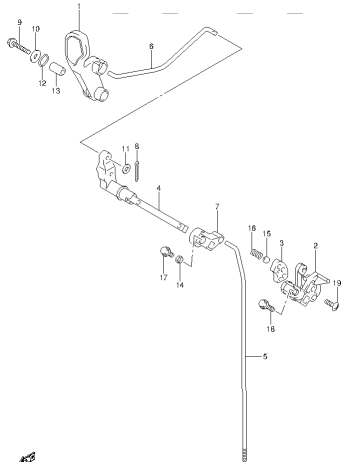
DF20A_F01_014_067
THROTTLE BODY

FIG.68



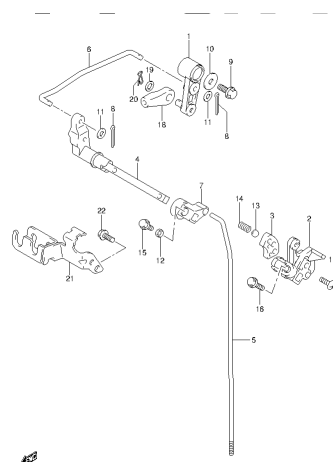
DF20A_F01_014_068
OIL PUMP

FIG.69



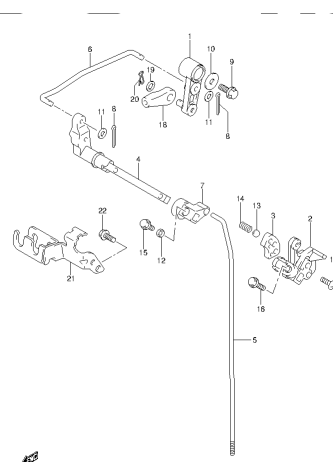
DF20A_F01_014_069
CLUTCH ROD

FIG.70



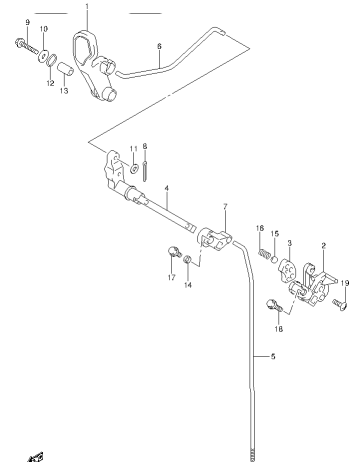
DF20A_F01_014_070
CLUTCH ROD

FIG.71



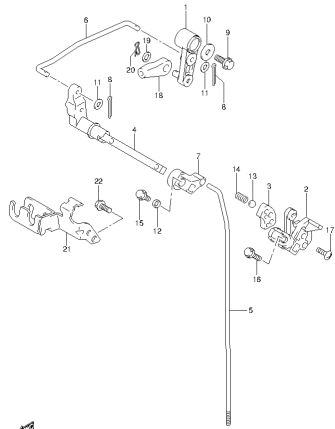
DF20A_F01_014_071
CLUTCH ROD

FIG.72



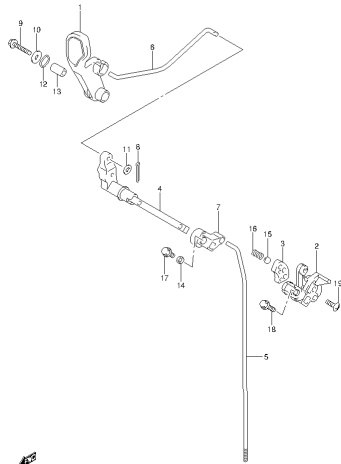
DF20A_F01_014_072
CLUTCH ROD

FIG.73



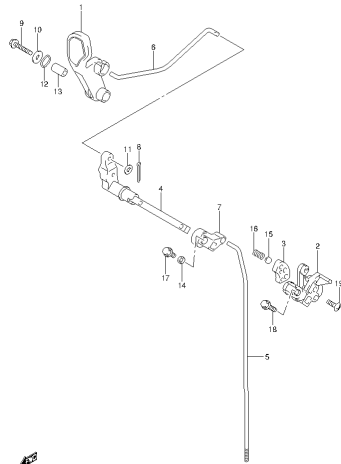
DF20A_F01_014_073
CLUTCH FC0

FIG.74



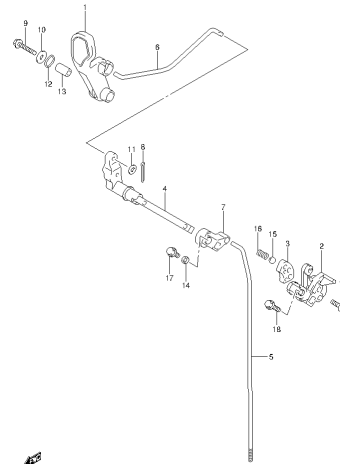
DF20A_F01_014_074
CLUTCH FC0

FIG.75



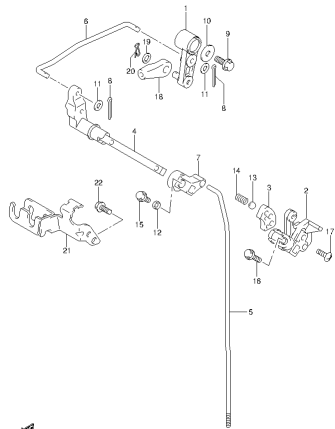
DF20A_F01_014_075
CLUTCH FC0

FIG.76



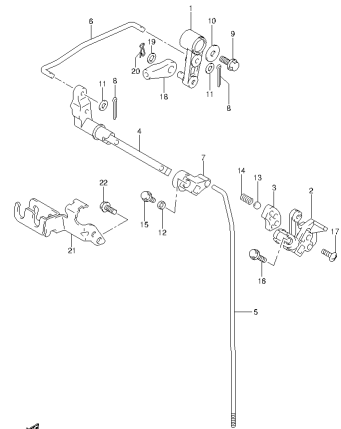
DF20A_F01_014_076
CLUTCH FC0

FIG.77



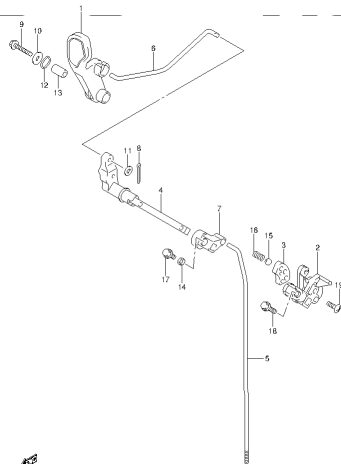
DF20A_F01_014_077
CLUTCH FC0

FIG.78



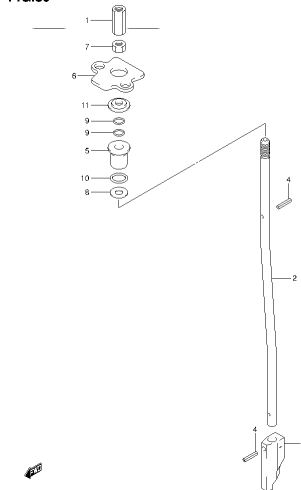
DF20A_F01_014_078
CLUTCH FC0

FIG.79



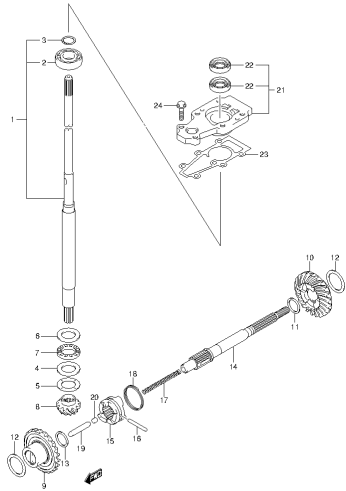
DF20A_F01_014_079
CLUTCH FC0

FIG.80



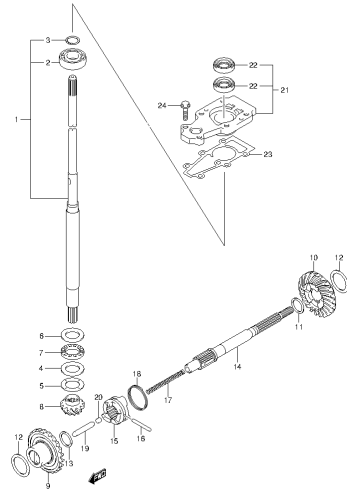
DF20A_F01_014_080
SHIFT FC0

FIG.81



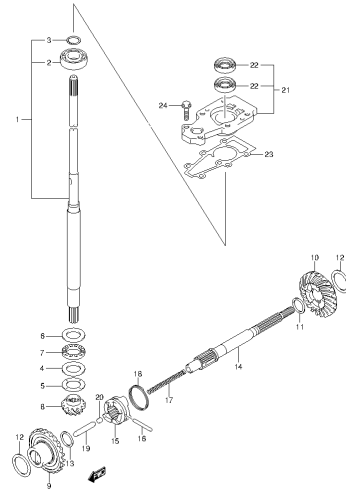
DF20A_F01_014_081
TRANSMISSION

FIG.82



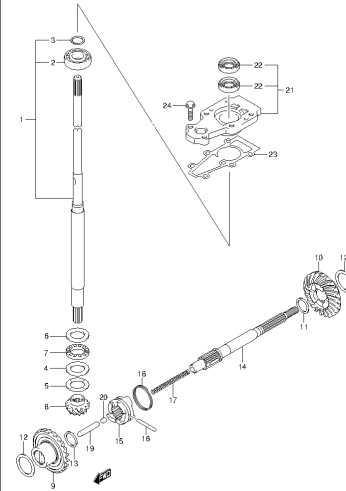
DF20A_F01_014_082
TRANSMISSION

FIG.83



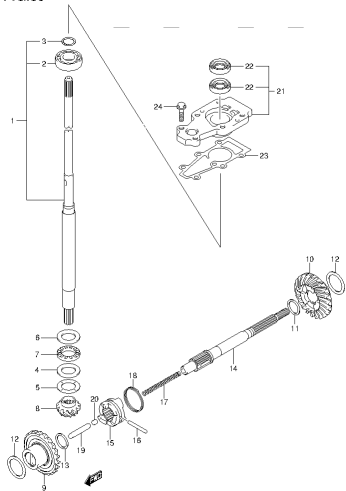
DF20A_F01_014_083
TRANSMISSION

FIG.84



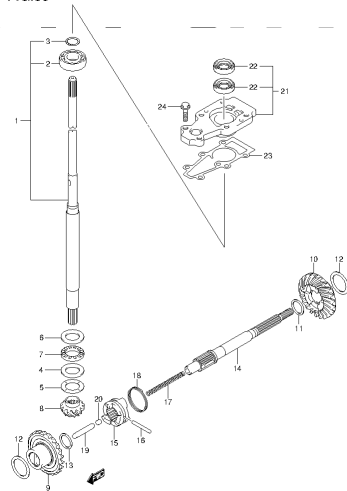
DF20A_F01_014_084
TRANSMISSION

FIG.85



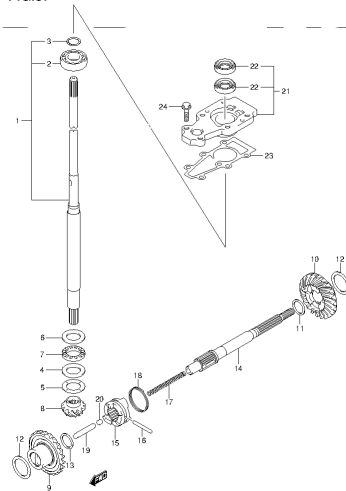
DF20A_F01_014_085
TRANSMISSION

FIG.86



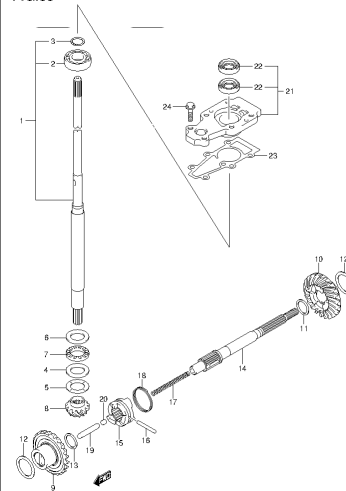
DF20A_F01_014_086
TRANSMISSION

FIG.87



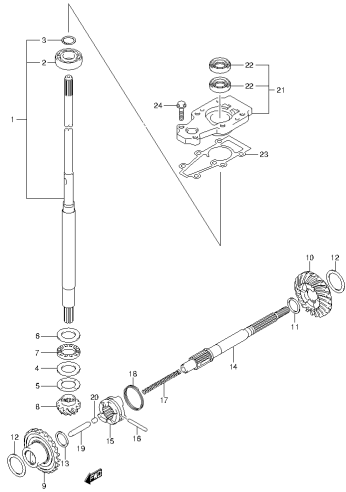
DF20A_F01_014_087
TRANSMISSION

FIG.88



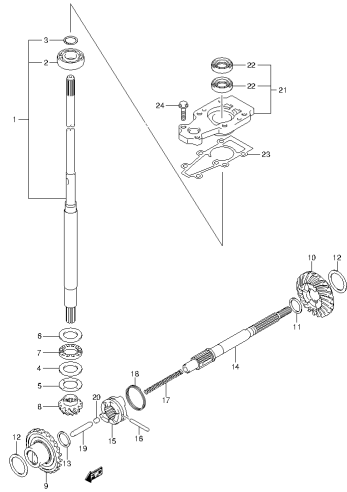
DF20A_F01_014_088
TRANSMISSION

FIG.89



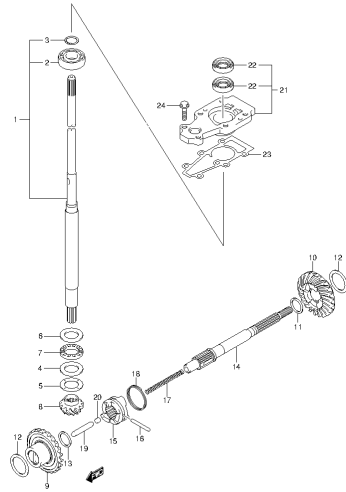
DF20A_F01_014_089
TRANSMISSION

FIG.90



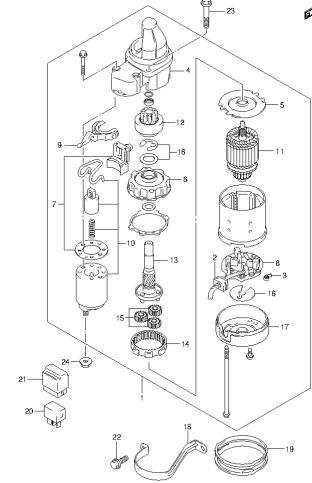
DF20A_F01_014_090
TRANSMISSION

FIG.91



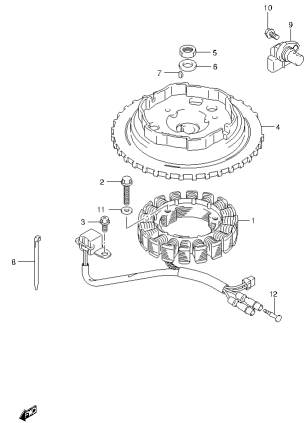
DF20A_F01_014_091
TRANSMISSION

FIG.92



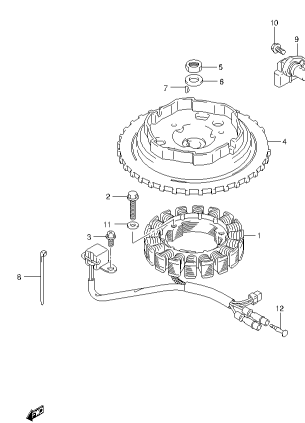
DF20A_F01_014_092
STARTING MOTOR (ELECTRIC STARTER)

FIG.93



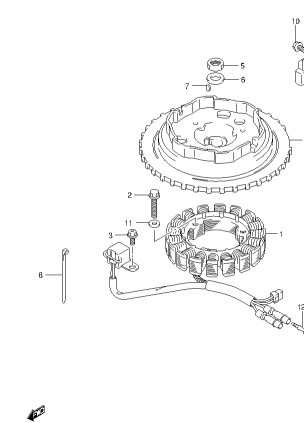
DF20A_F01_014_093
MAGNETO (MANUAL STARTER)

FIG.94



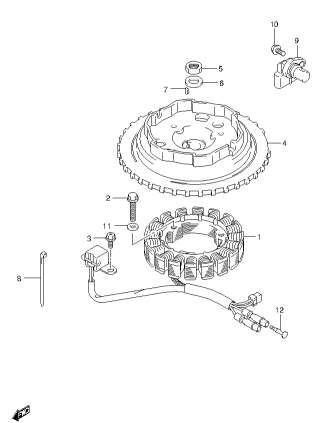
DF20A_F01_014_094
MAGNETO (MANUAL STARTER)

FIG.95



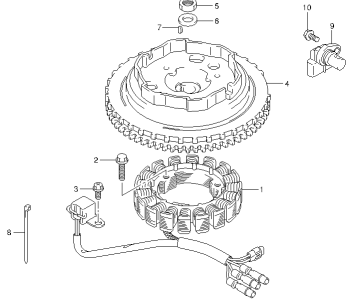
DF20A_F01_014_095
MAGNETO (MANUAL STARTER)

FIG.96



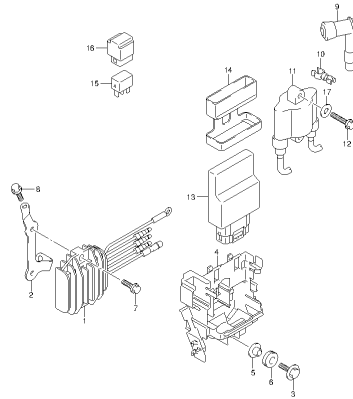
DF20A_F01_014_096
MAGNETO (MANUAL STARTER)

FIG.97



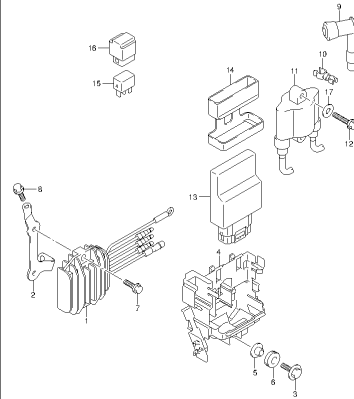
DF20A_F01_014_097
MAGNETO (ELECTRIC STARTER)

FIG.98



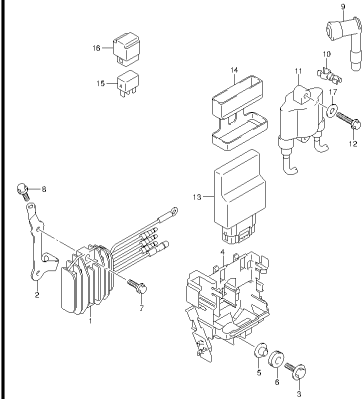
DF20A_F01_014_098
RECTIFIER/IGNITION COIL

FIG.99



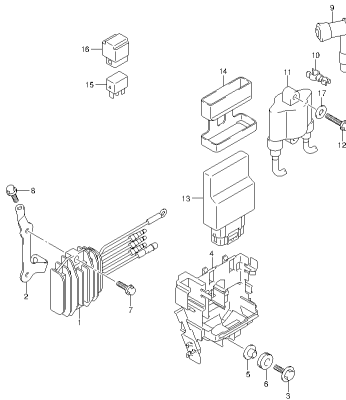
DF20A_F01_014_099
RECTIFIER/IGNITION COIL

FIG.100



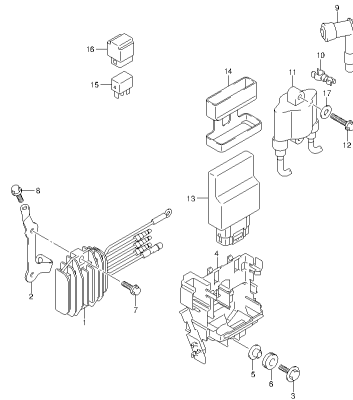
DF20A_F01_014_100
RECTIFIER/IGNITION COIL

FIG.101



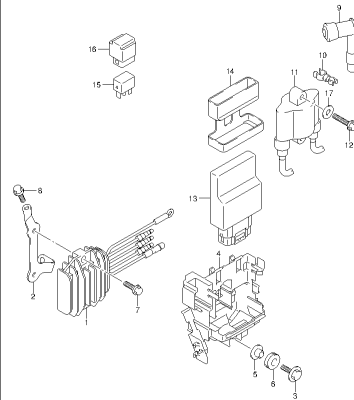
DF20A_F01_014_101
RECTIFIER/IGNITION COIL

FIG.102



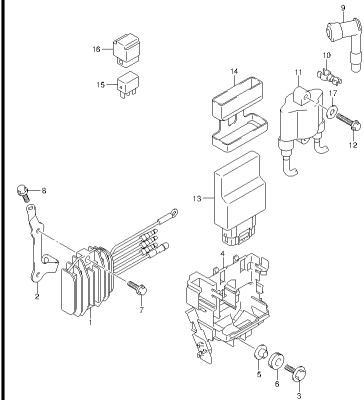
DF20A_F01_014_102
RECTIFIER/IGNITION COIL

FIG.103



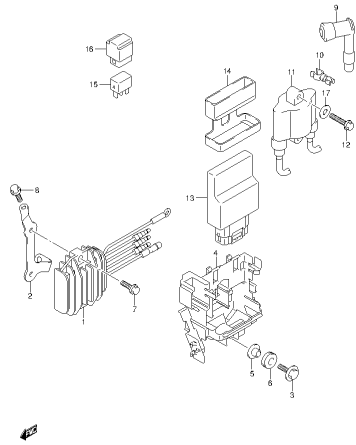
DF20A_F01_014_103
RECTIFIER/IGNITION COIL

FIG.104



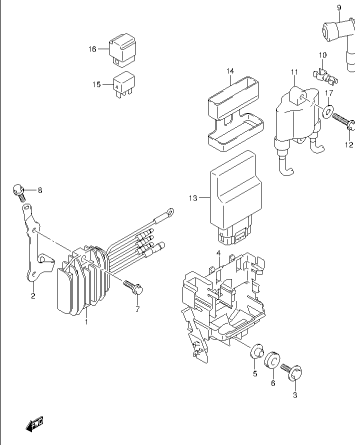
DF20A_F01_014_104
RECTIFIER/IGNITION COIL

FIG.105



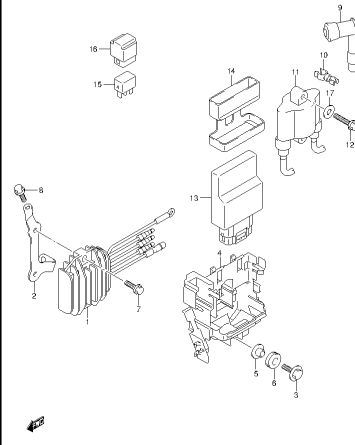
DF20A_F01_014_105
RECTIF.ERIGNITION.COIL

FIG.106



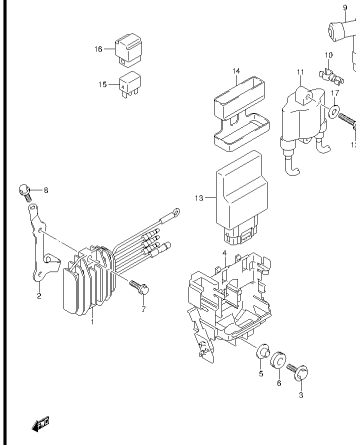
DF20A_F01_014_106
RECTIF.ERIGNITION.COIL

FIG.107



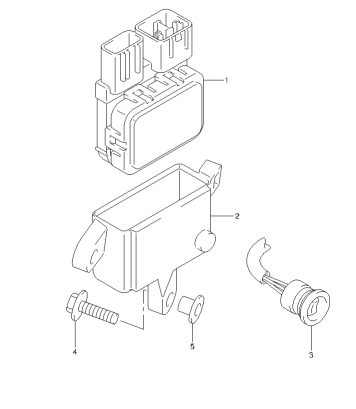
DF20A_F01_014_107
RECTIF.ERIGNITION.COIL

FIG.108



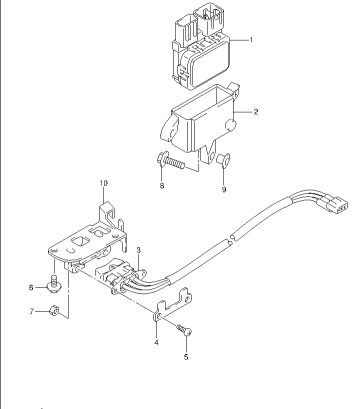
DF20A_F01_014_108
RECTIF.ERIGNITION.COIL

FIG.109



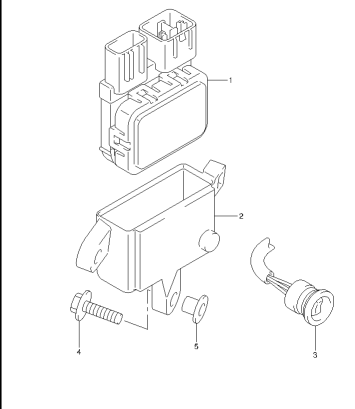
DF20A_F01_014_109
PTT SWITCH

FIG.110



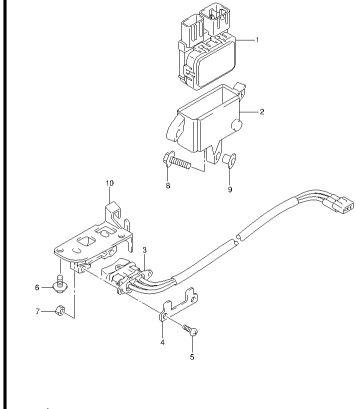
DF20A_F01_014_110
PTT SWITCH

FIG.111



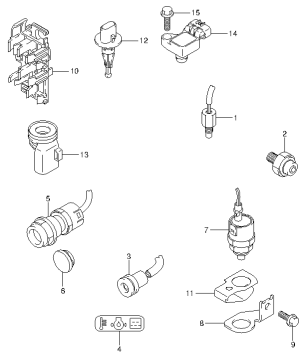
DF20A_F01_014_111
PTT SWITCH

FIG.112



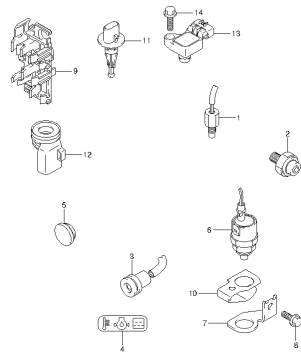
DF20A_F01_014_112
PTT SWITCH

FIG.113



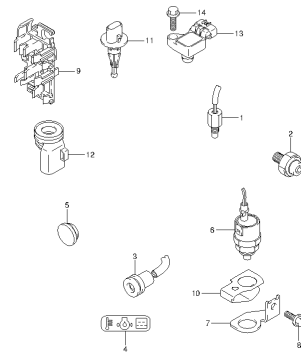
DF20A_F01_014_113
SENSORSWITCH

FIG.114



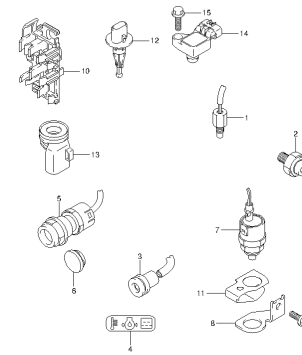
DF20A_F01_014_114
SENSORSWITCH

FIG.115



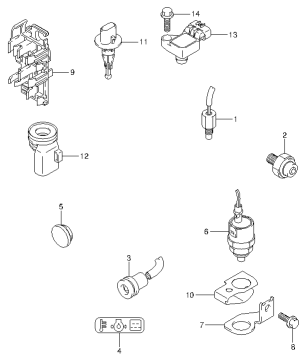
DF20A_F01_014_115
SENSORSWITCH

FIG.116



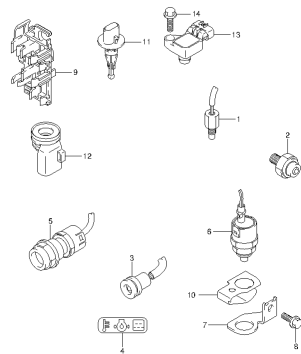
DF20A_F01_014_116
SENSORSWITCH

FIG.117



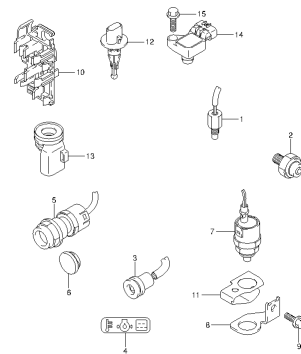
DF20A_F01_014_117
SENSORSWITCH

FIG.118



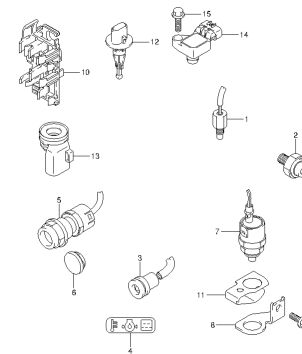
DF20A_F01_014_118
SENSORSWITCH

FIG.119



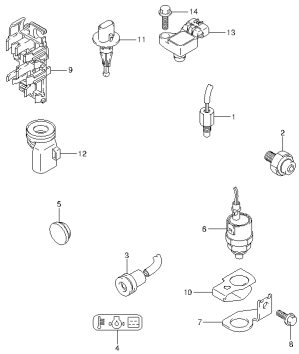
DF20A_F01_014_119
SENSORSWITCH

FIG.120



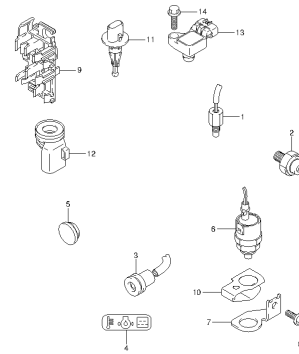
DF20A_F01_014_120
SENSORSWITCH

FIG.121



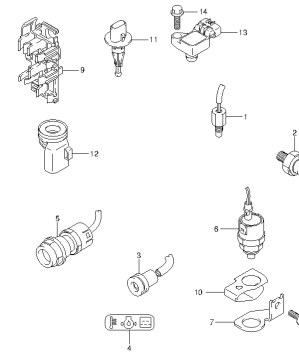
DF20A_F01_014_121
SENSORSWITCH

FIG.122



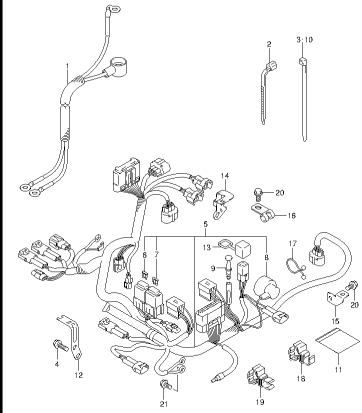
DF20A_F01_014_122
SENSORSWITCH

FIG.123



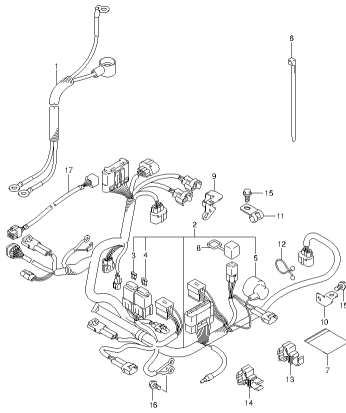
DF20A_F01_014_123
SENSORSWITCH

FIG.124



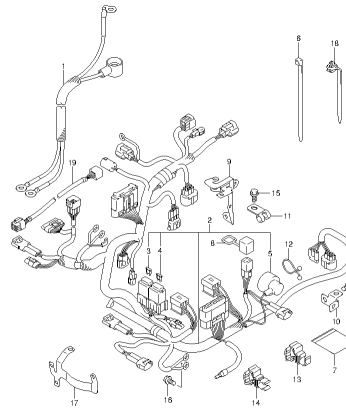
DF20A_F01_014_124
HARNESS

FIG.125



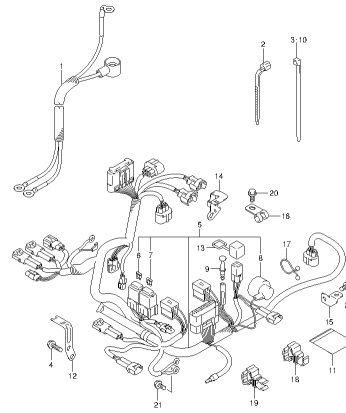
DF20A_F01_014_125
HARNESS

FIG.126



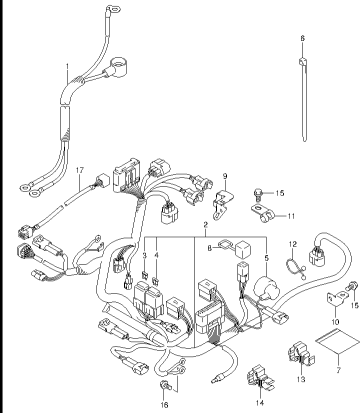
DF20A_F01_014_126
HARNESS

FIG.127



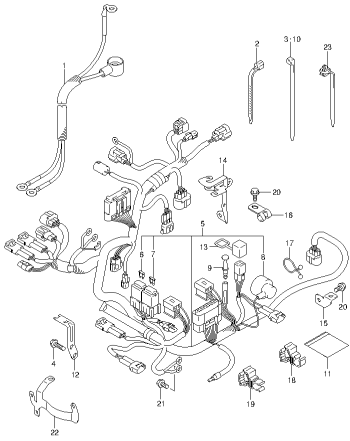
DF20A_F01_014_127
HARNESS

FIG.128



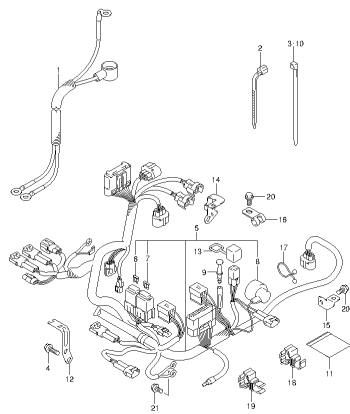
DF20A_F01_014_128
HARNESS

FIG.129



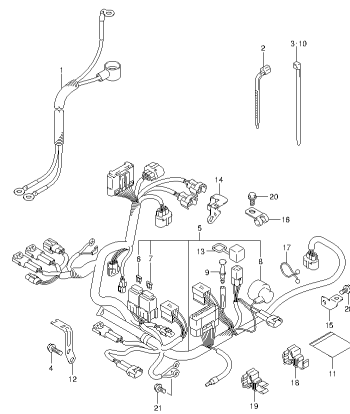
DF20A_F01_014_129
HARNISS

FIG.130



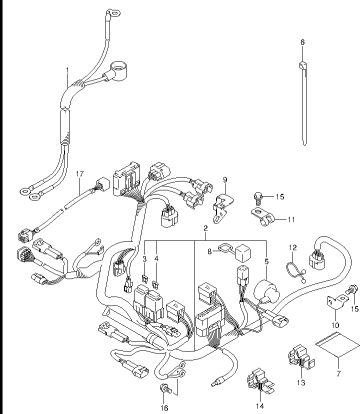
DF20A_F01_014_130
HARNISS

FIG.131



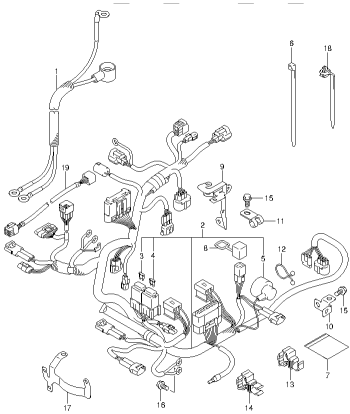
DF20A_F01_014_131
HARNISS

FIG.132



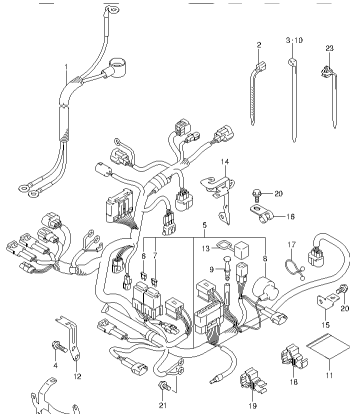
DF20A_F01_014_132
HARNISS

FIG.133



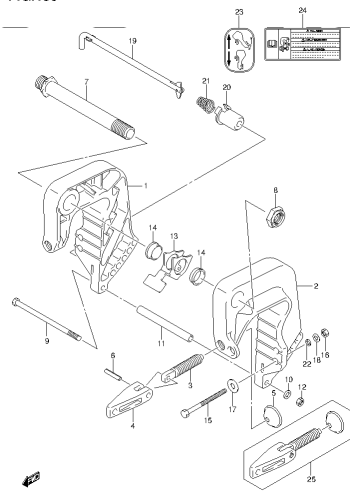
DF20A_F01_014_133
HARNISS

FIG.134



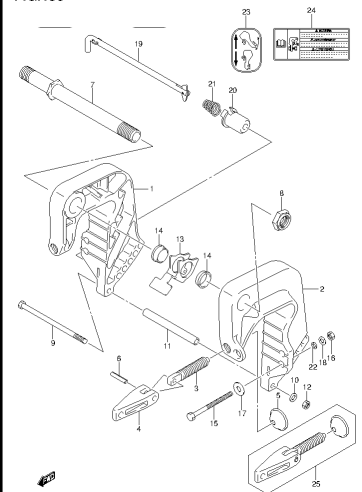
DF20A_F01_014_134
HARNISS

FIG.135



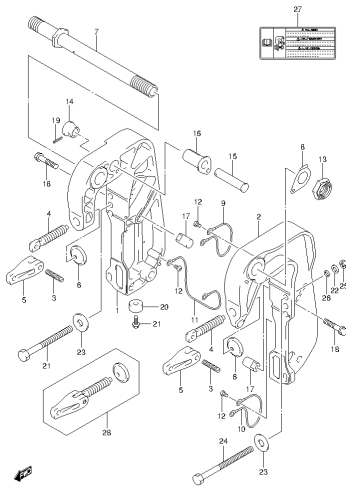
DF20A_F01_014_135
CLAMP BRACKET

FIG.136



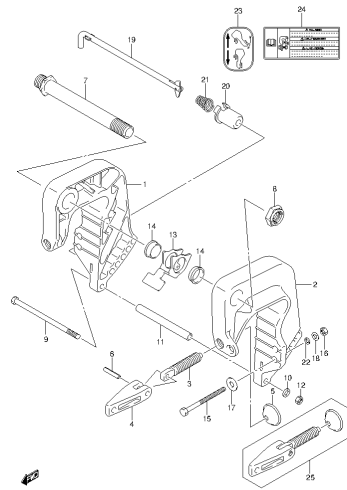
DF20A_F01_014_136
CLAMP BRACKET

FIG.137



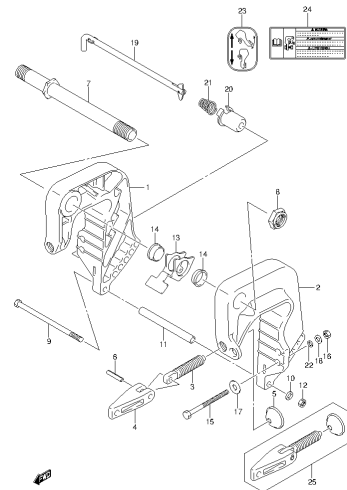
DF20A_F01_014_137
CLAMP BRACKET

FIG.138



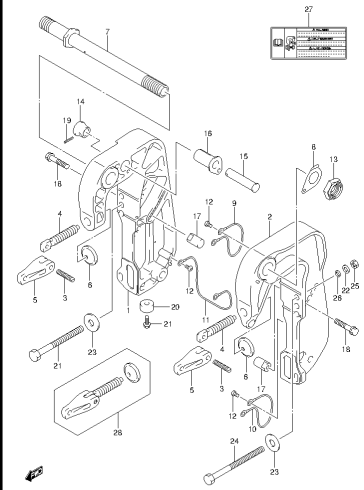
DF20A_F01_014_138
CLAMP BRACKET

FIG.139



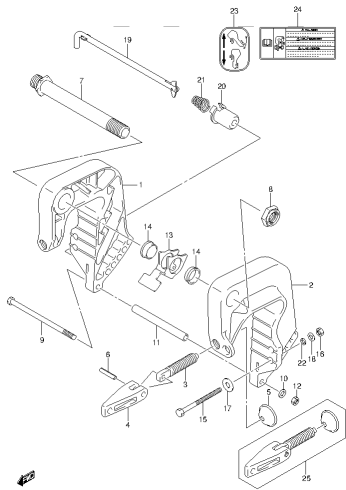
DF20A_F01_014_139
CLAMP BRACKET

FIG.140



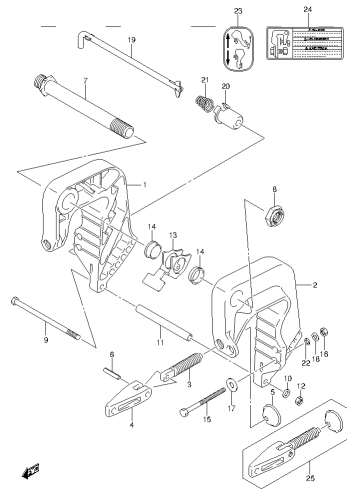
DF20A_F01_014_140
CLAMP BRACKET

FIG.141



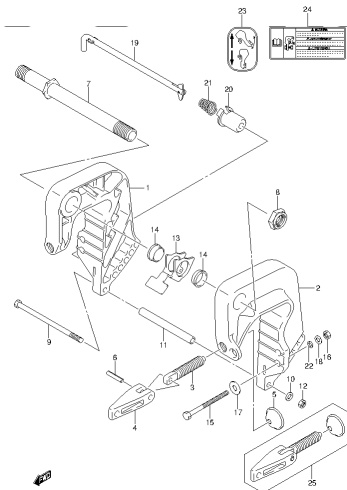
DF20A_F01_014_141
CLAMP BRACKET

FIG.142



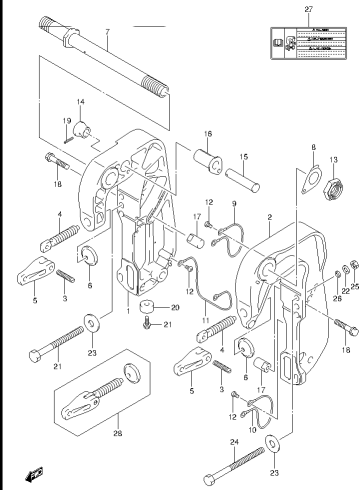
DF20A_F01_014_142
CLAMP BRACKET

FIG.143



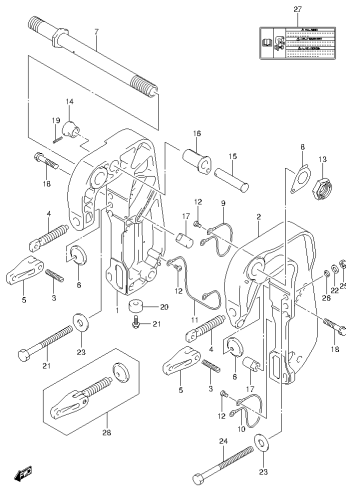
DF20A_F01_014_143
CLAMP BRACKET

FIG.144



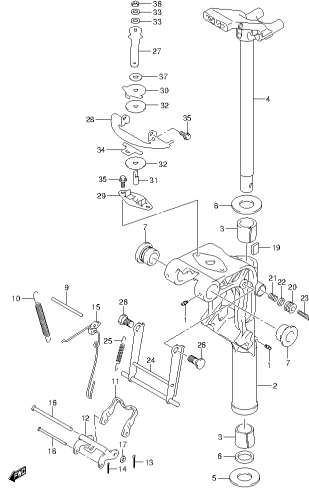
DF20A_F01_014_144
CLAMP BRACKET

FIG.145



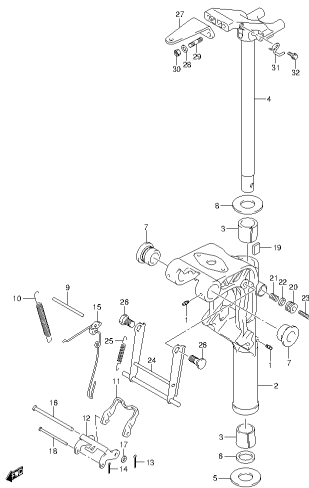
DF20A_F01_014_145
CLAMP BRACKET

FIG.146



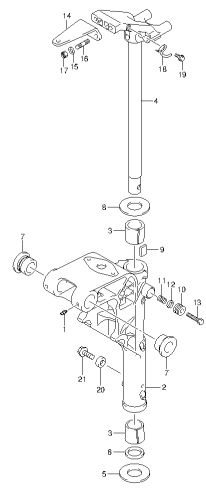
DF20A_F01_014_146
SWIVEL BRACKET

FIG.147



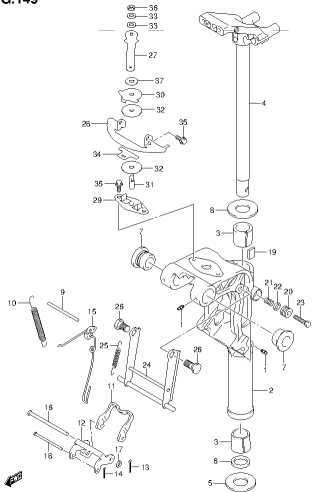
DF20A_F01_014_147
SWIVEL BRACKET

FIG.148



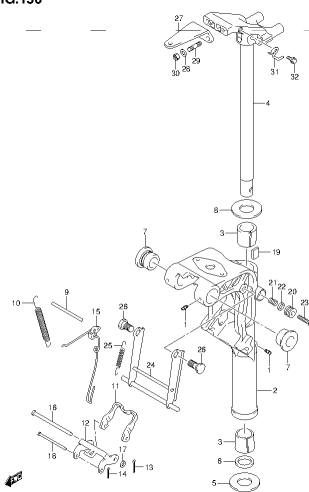
DF20A_F01_014_148
SWIVEL BRACKET

FIG.149



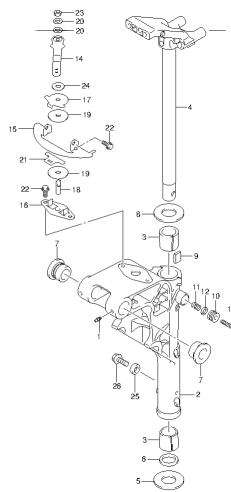
DF20A_F01_014_149
SWIVEL BRACKET

FIG.150



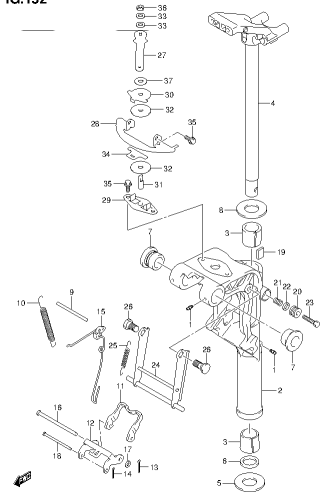
DF20A_F01_014_150
SWIVEL BRACKET

FIG.151



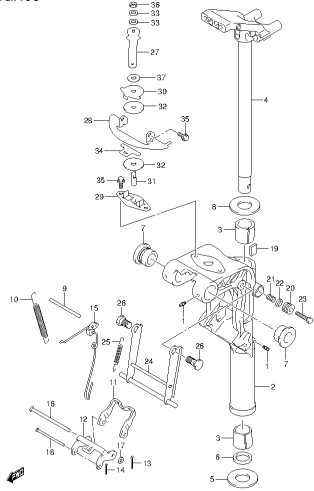
DF20A_F01_014_151
SWIVEL BRACKET

FIG.152



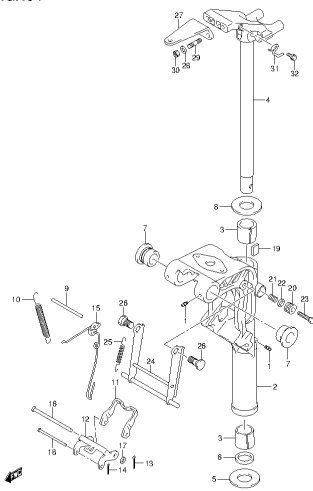
DF20A_F01_014_152
SWIVEL BRACKET

FIG.153



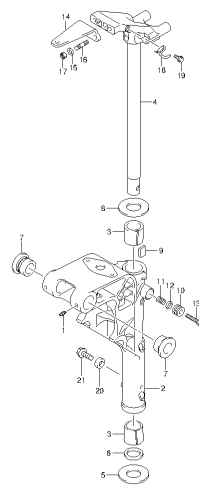
DF20A_F01_014_153
SWIVEL BRACKET

FIG.154



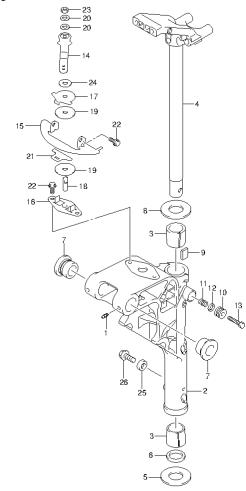
DF20A_F01_014_154
SWIVEL BRACKET

FIG.155



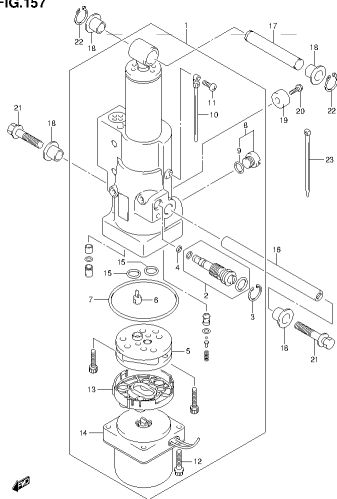
DF20A_F01_014_155
SWIVEL BRACKET

FIG.156



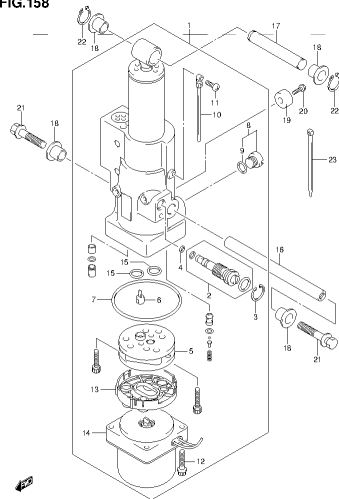
DF20A_F01_014_156
SWIVEL BRACKET

FIG.157



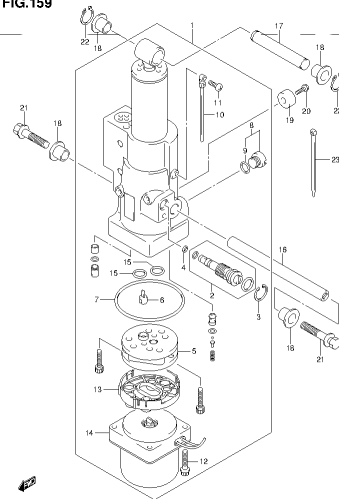
DF20A_F01_014_157
TILT CYLINDER

FIG.158



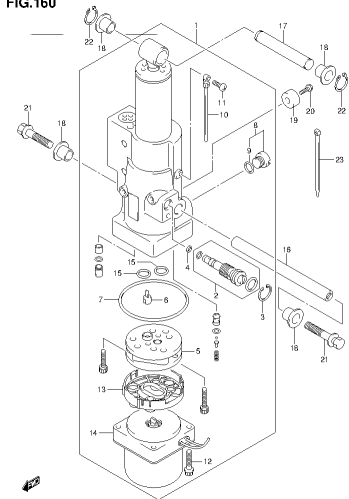
DF20A_F01_014_158
TILT CYLINDER

FIG.159



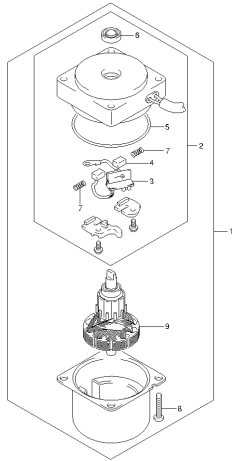
DF20A_F01_014_159
TILT CYLINDER

FIG.160



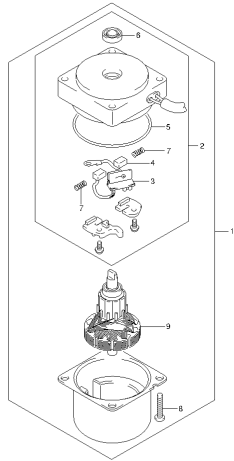
DF20A_F01_014_160
TILT CYLINDER

FIG.161



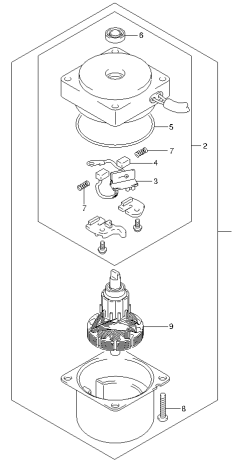
DF20A_F01_014_181
PTT MOTOR

FIG.162



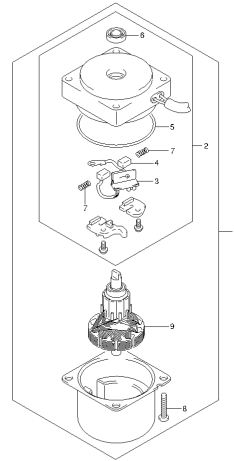
DF20A_F01_014_182
PTT MOTOR

FIG.163



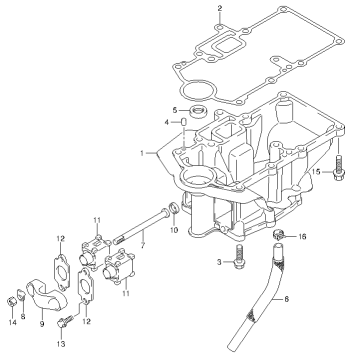
DF20A_F01_014_183
PTT MOTOR

FIG.164



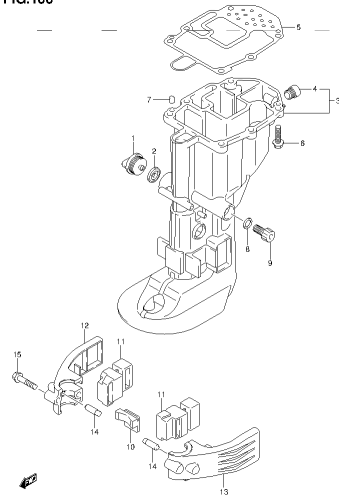
DF20A_F01_014_184
PTT MOTOR

FIG.165



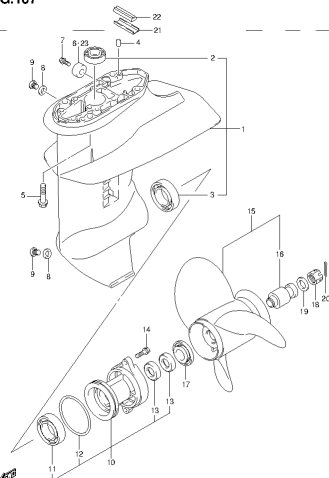
DF20A_F01_014_185
ENGINE HOLDER

FIG.166



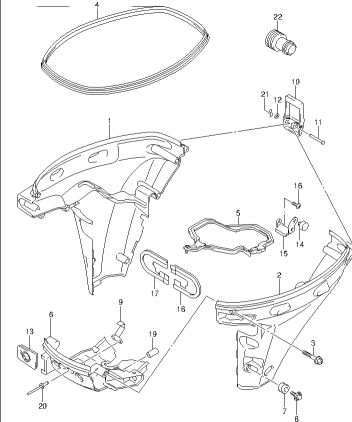
DF20A_F01_014_186
DRIVE SHAFT HOUSING

FIG.167



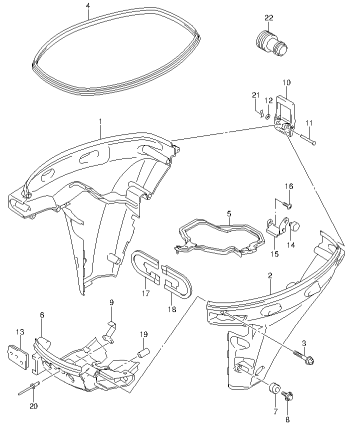
DF20A_F01_014_187
GEAR CASE

FIG.168



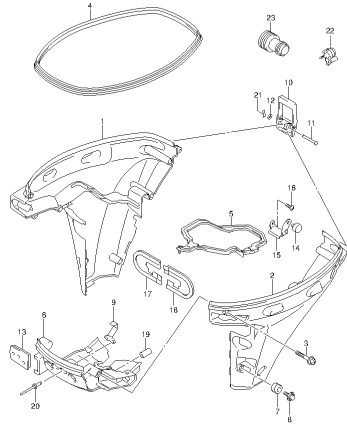
DF20A_F01_014_188
SIDE COVER

FIG.169



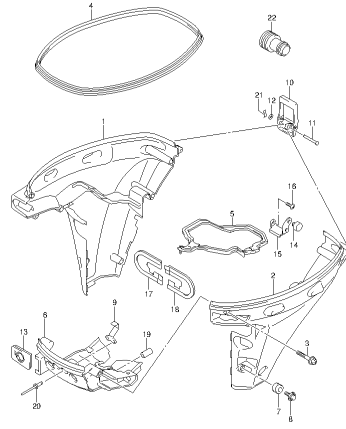
DF20A_F01_014_169
SIDE COVER

FIG.170



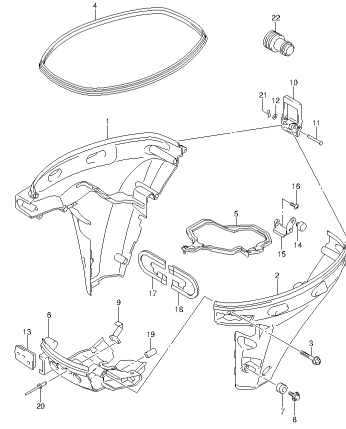
DF20A_F01_014_170
SIDE COVER

FIG.171



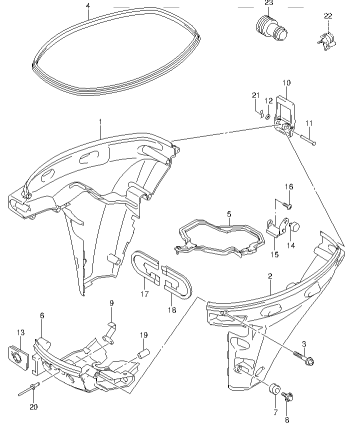
DF20A_F01_014_171
SIDE COVER

FIG.172



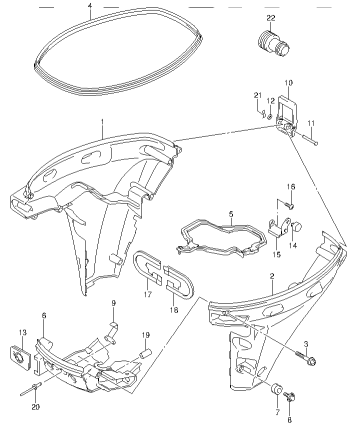
DF20A_F01_014_172
SIDE COVER

FIG.173



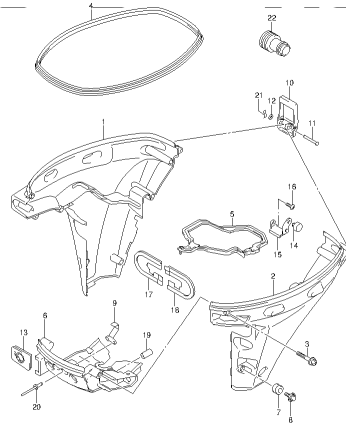
DF20A_F01_014_173
SIDE COVER

FIG.174



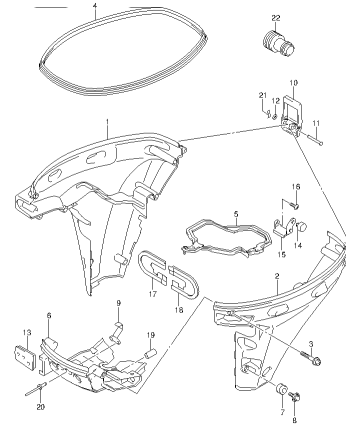
DF20A_F01_014_174
SIDE COVER

FIG.175



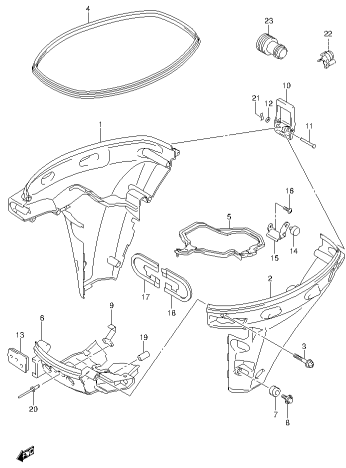
DF20A_F01_014_175
SIDE COVER

FIG.176



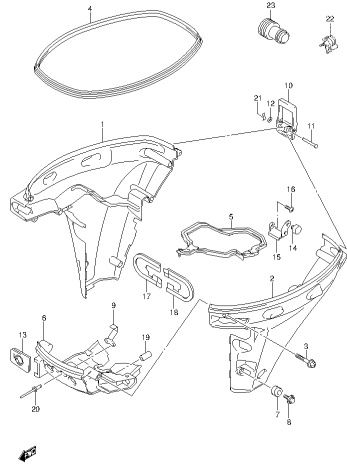
DF20A_F01_014_176
SIDE COVER

FIG.177



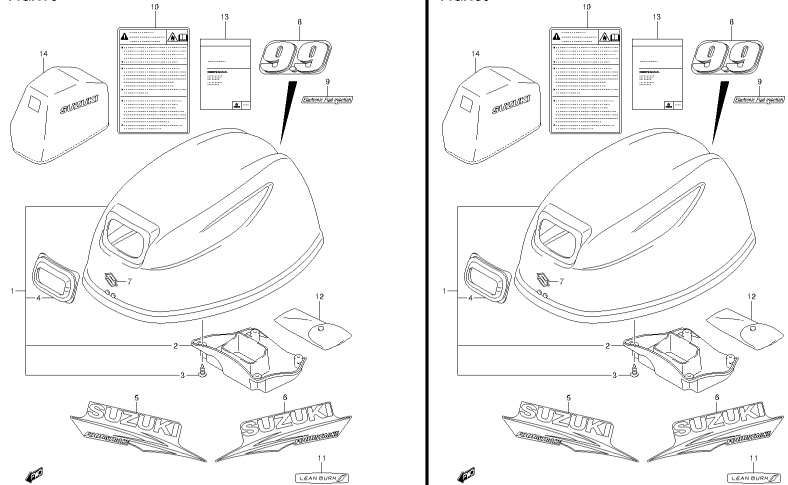
DF20A_F01_014_177
SIDE COVER

FIG.178



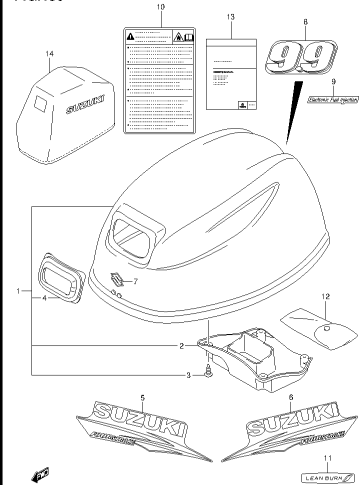
DF20A_F01_014_178
SIDE COVER

FIG.179



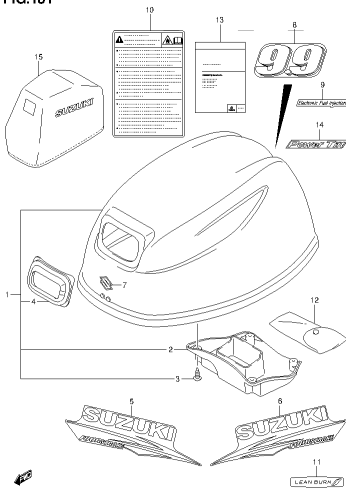
DF20A_F01_014_179
ENGINE COVER

FIG.180



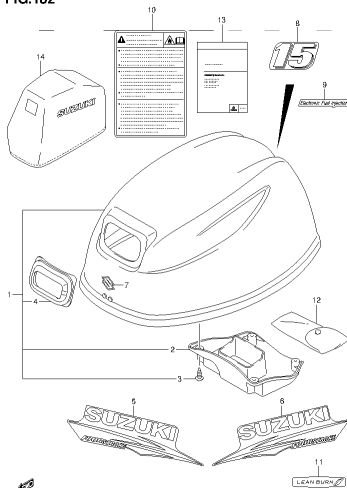
DF20A_F01_014_180
ENGINE COVER

FIG.181



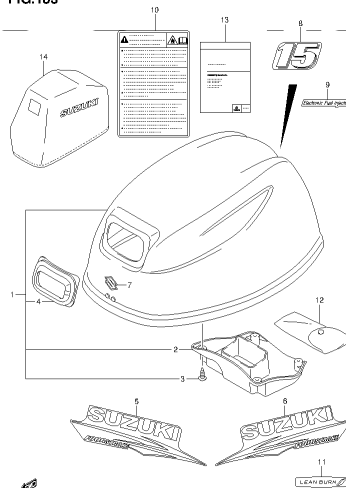
DF20A_F01_014_181
ENGINE COVER

FIG.182



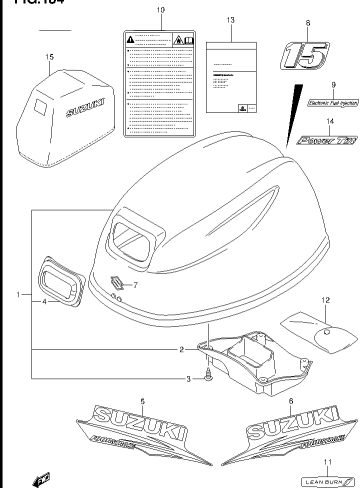
DF20A_F01_014_182
ENGINE COVER

FIG.183



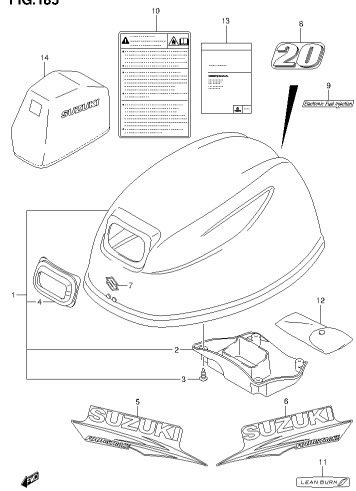
DF20A_F01_014_183
ENGINE COVER

FIG.184



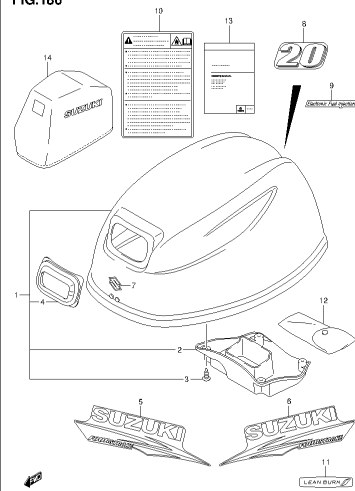
DF20A_F01_014_184
ENGINE COVER

FIG.185



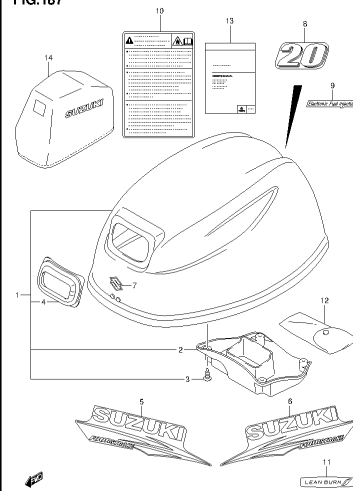
DF20A_F01_014_185
ENGINE COVER

FIG.186



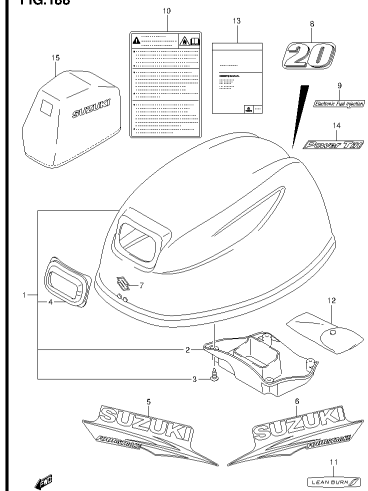
DF20A_F01_014_186
ENGINE COVER

FIG.187



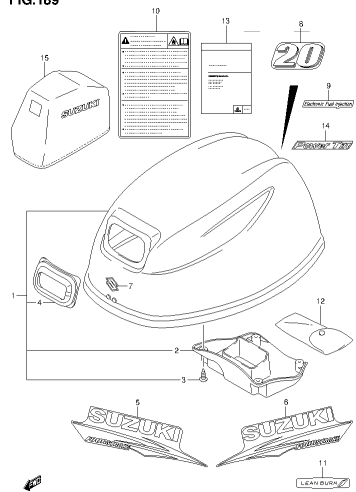
DF20A_F01_014_187
ENGINE COVER

FIG.188



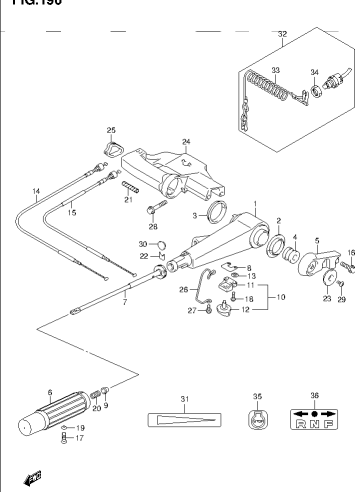
DF20A_F01_014_188
ENGINE COVER

FIG.189



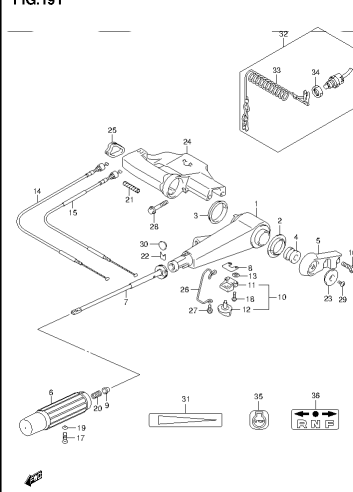
DF20A_F01_014_189
ENGINE COVER

FIG.190



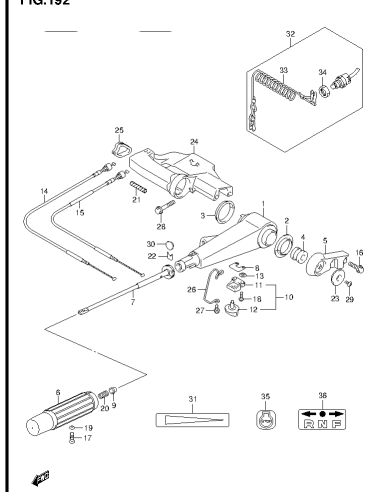
DF20A_F01_014_190
TILLER HANDLE

FIG.191



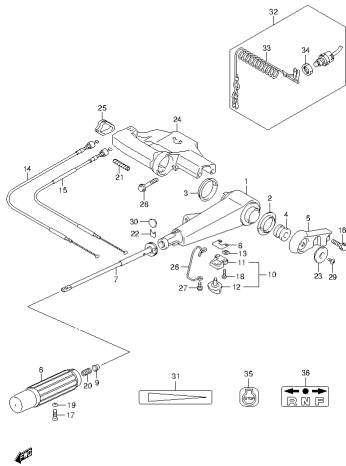
DF20A_F01_014_191
TILLER HANDLE

FIG.192



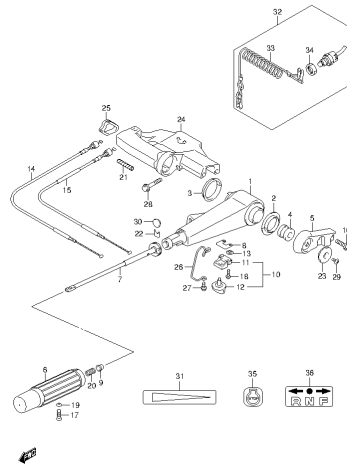
DF20A_F01_014_192
TILLER HANDLE

FIG.193



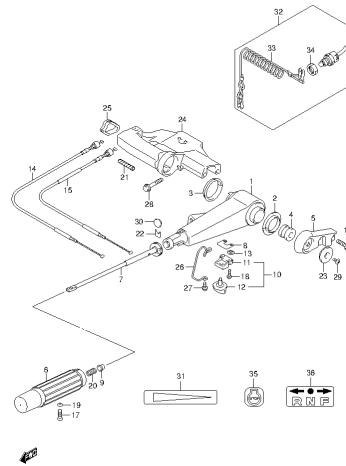
DF20A_F01_014_193
TILLER HANDLE

FIG.194



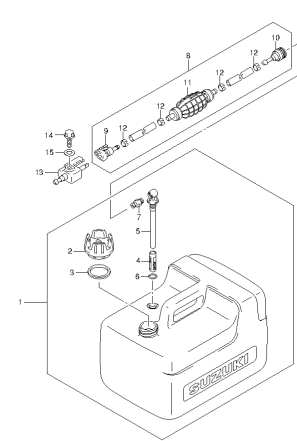
DF20A_F01_014_194
TILLER HANDLE

FIG.195



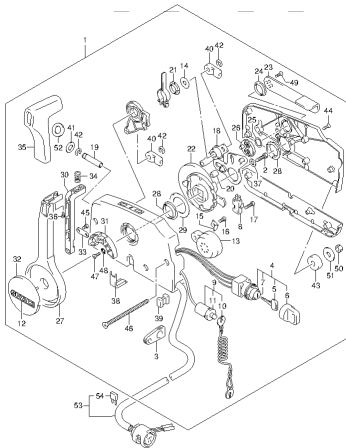
DF20A_F01_014_195
TILLER HANDLE

FIG.196



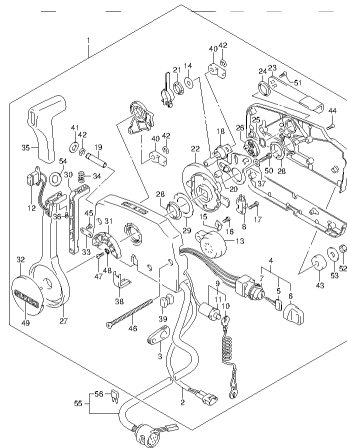
DF20A_F01_014_196
FUEL TANK

FIG.197



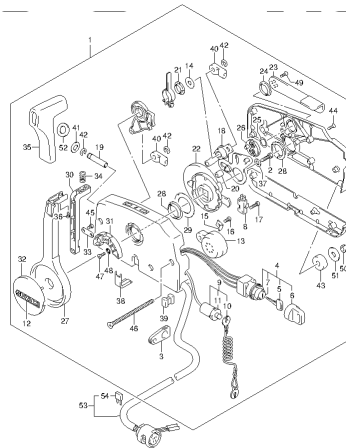
DF20A_F01_014_197
REMOTE CONTROL

FIG.198



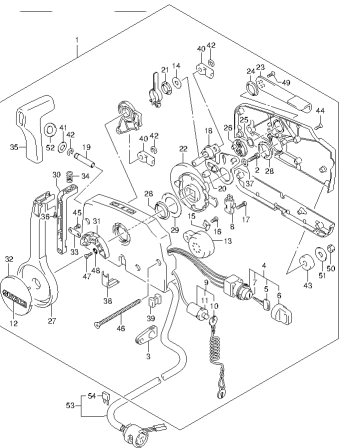
DF20A_F01_014_198
REMOTE CONTROL

FIG.199



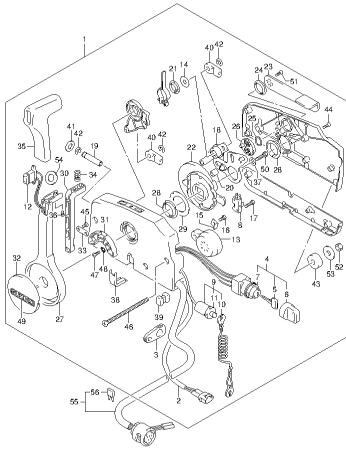
DF20A_F01_014_199
REMOTE CONTROL

FIG.200



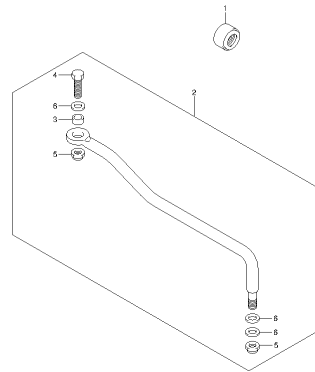
DF20A_F01_014_200
REMOTE CONTROL

FIG.201



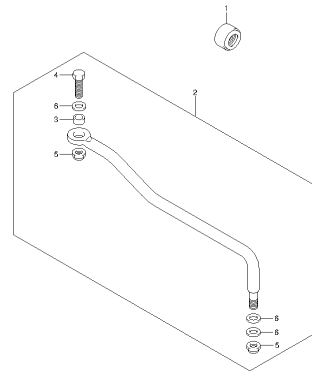
DF20A_F01_014_201
REMOTE CONTROL

FIG.202



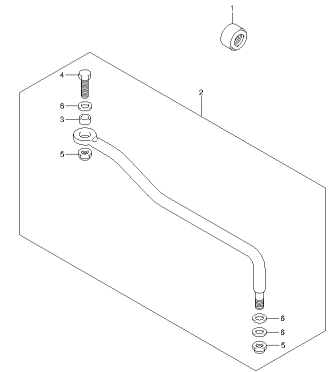
DF20A_F01_014_202
DRAG LINK

FIG.203



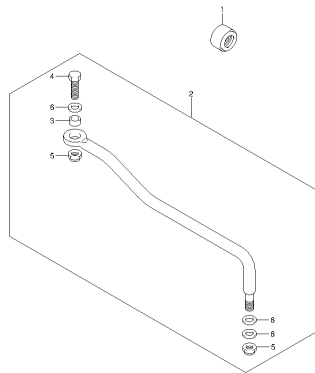
DF20A_F01_014_203
DRAG LINK

FIG.204



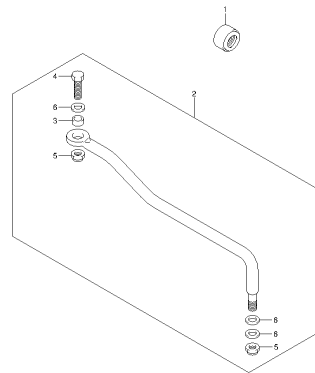
DF20A_F01_014_204
DRAG LINK

FIG.205



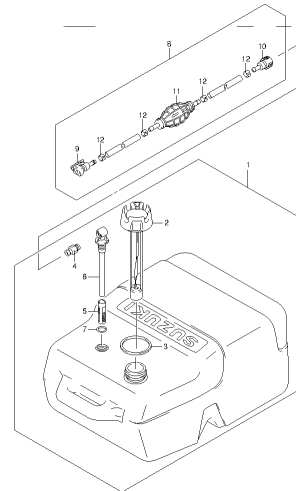
DF20A_F01_014_205
DRAG LINK

FIG.206



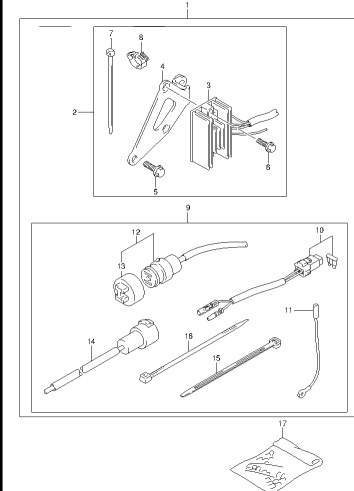
DF20A_F01_014_206
DRAG LINK

FIG.207

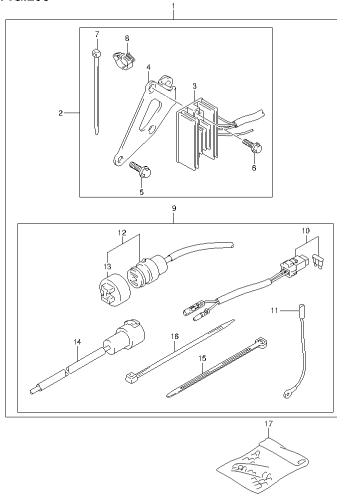


DF20A_F01_014_207
OPT.FUEL TANK

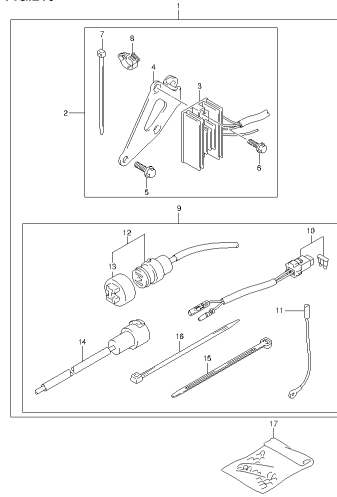
FIG.208



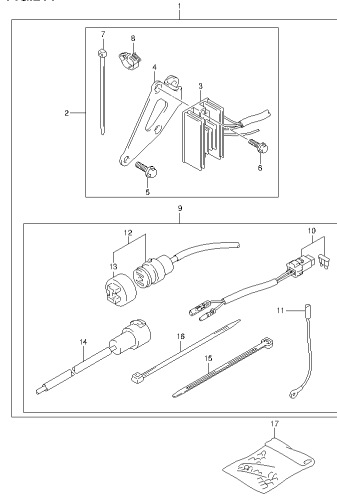
DF20A_F01_014_208
OPT.ELECTRICAL (MANUAL STARTER)

FIG.209

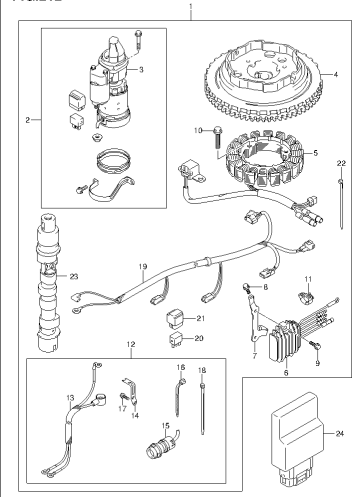
DF20A_F01_014_209
OPT ELECTRICAL (MANUAL STARTER)

FIG.210

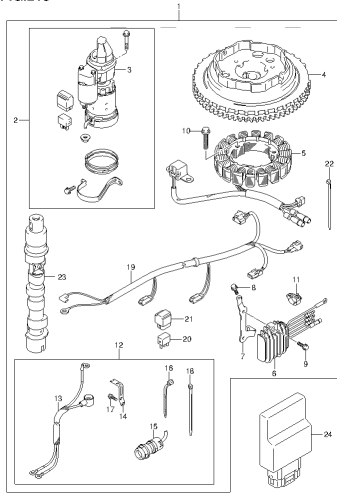
DF20A_F01_014_210
OPT ELECTRICAL (MANUAL STARTER)

FIG.211

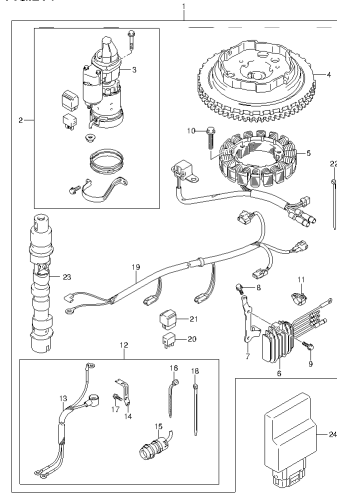
DF20A_F01_014_211
OPT ELECTRICAL (MANUAL STARTER)

FIG.212

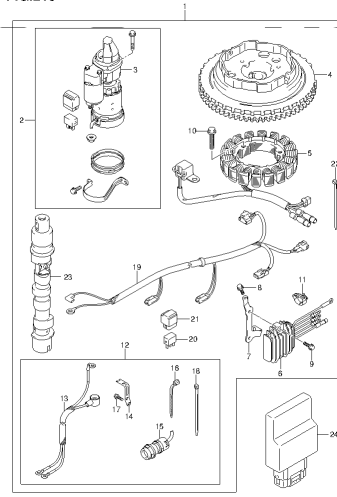
DF20A_F01_014_212
OPT STARTING MOTOR (MANUAL STARTER)

FIG.213

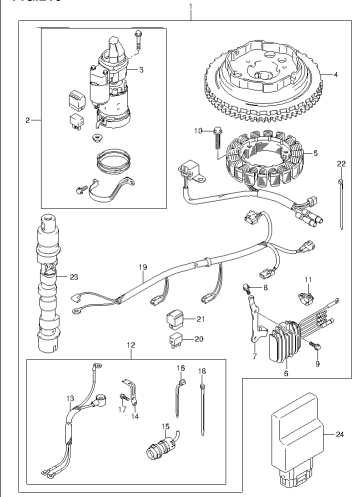
DF20A_F01_014_213
OPT STARTING MOTOR (MANUAL STARTER)

FIG.214

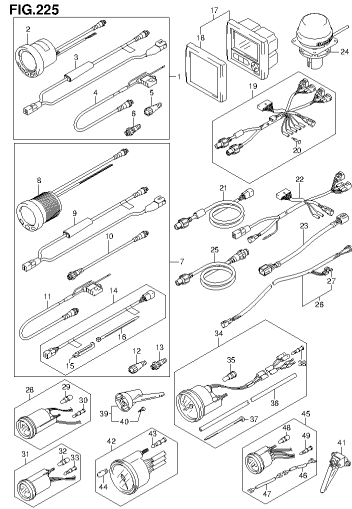
DF20A_F01_014_214
OPT STARTING MOTOR (MANUAL STARTER)

FIG.215

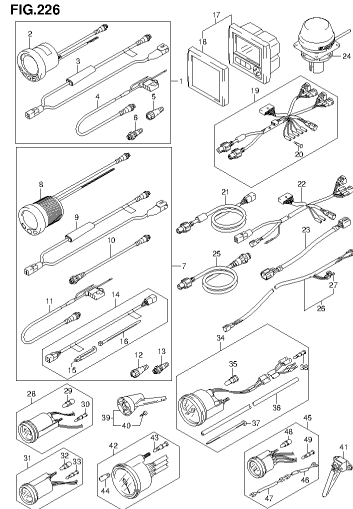
DF20A_F01_014_215
OPT STARTING MOTOR (MANUAL STARTER)

FIG.216

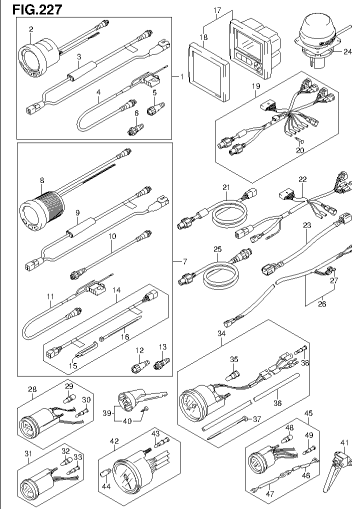
DF20A_F01_014_216
OPT STARTING MOTOR (MANUAL STARTER)



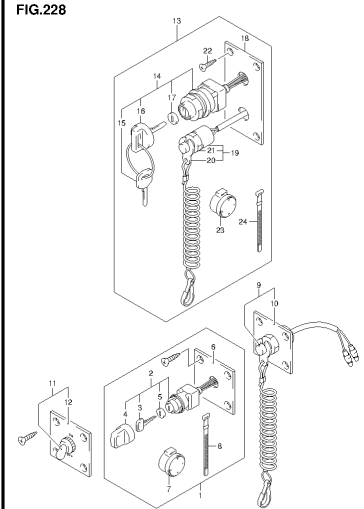
DF20A_F01_014_225
OPT.METER



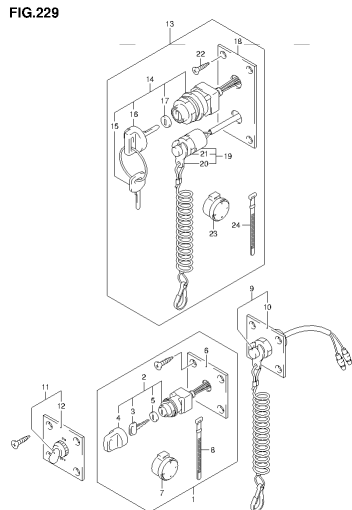
DF20A_F01_014_226
OPT.METER



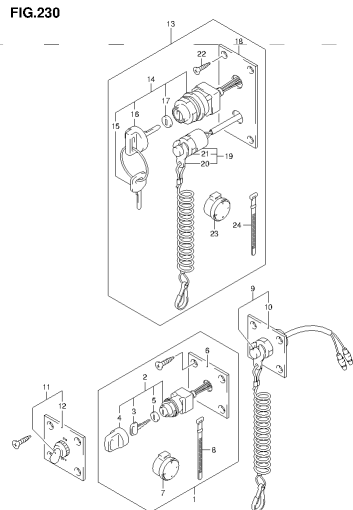
DF20A_F01_014_227
OPT.METER



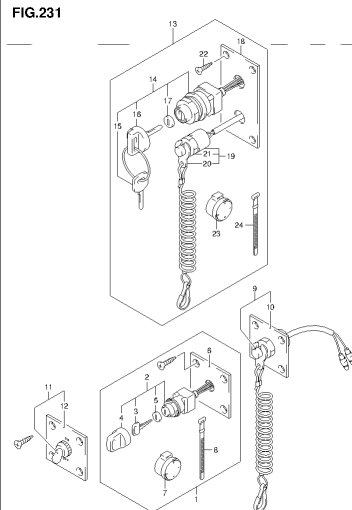
DF20A_F01_014_228
OPT.SWITCH



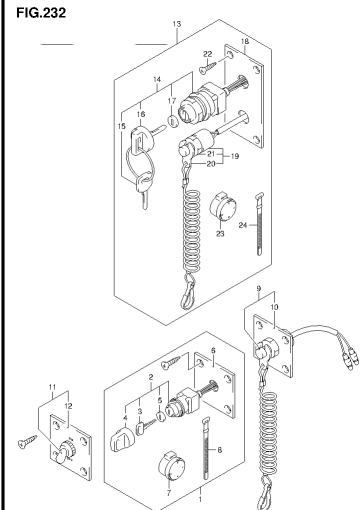
DF20A_F01_014_229
OPT.SWITCH



DF20A_F01_014_230
OPT.SWITCH

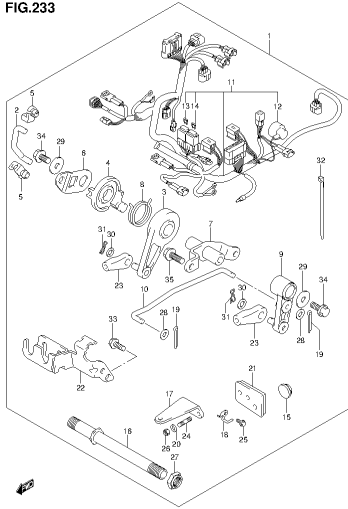


DF20A_F01_014_231
OPT.SWITCH



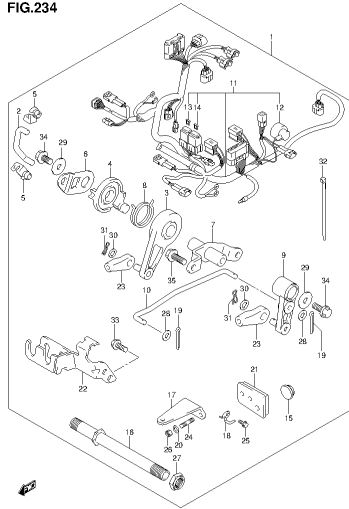
DF20A_F01_014_232
OPT.SWITCH

FIG.233



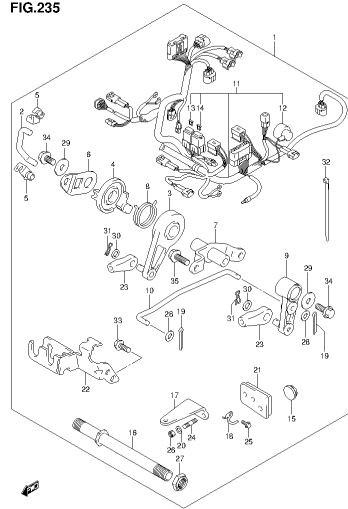
DF20A_F01_014_233
OPT.REMOTE CONTROL PARTS

FIG.234



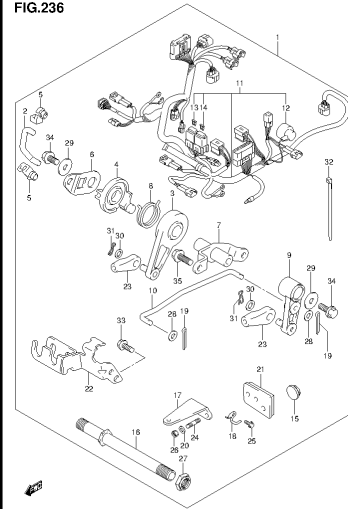
DF20A_F01_014_234
OPT.REMOTE CONTROL PARTS

FIG.235



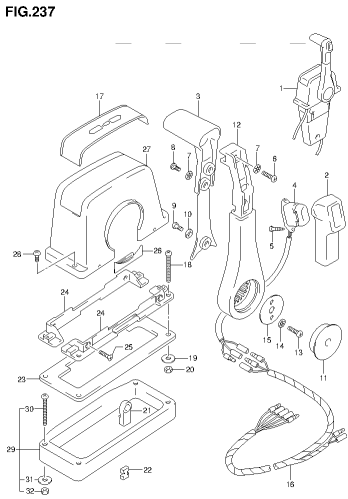
DF20A_F01_014_235
OPT.REMOTE CONTROL PARTS

FIG.236



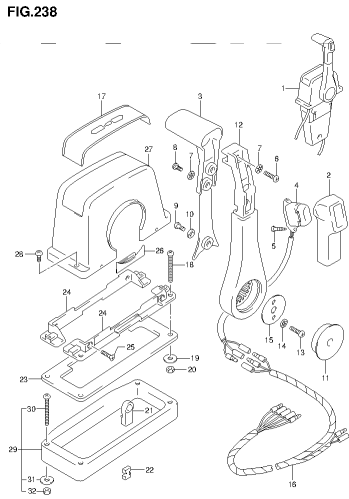
DF20A_F01_014_236
OPT.REMOTE CONTROL PARTS

FIG.237



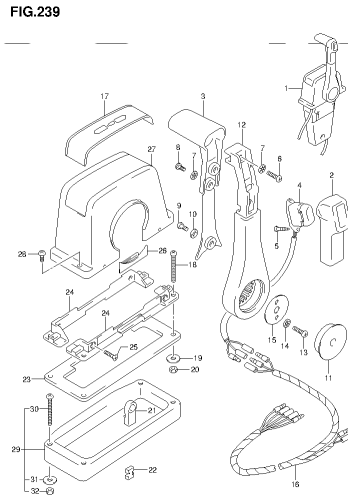
DF20A_F01_014_237
OPT.REMOTE CONTROL ASSY SINGLE (1)

FIG.238



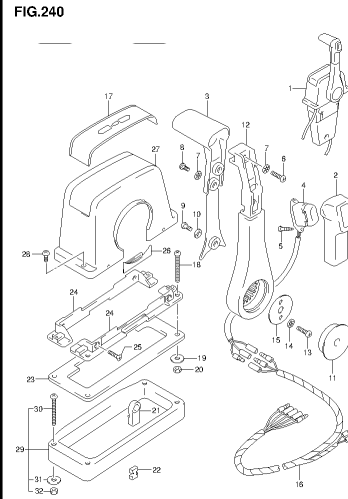
DF20A_F01_014_238
OPT.REMOTE CONTROL ASSY SINGLE (1)

FIG.239



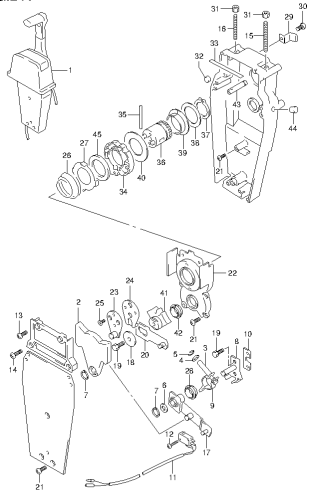
DF20A_F01_014_239
OPT.REMOTE CONTROL ASSY SINGLE (1)

FIG.240



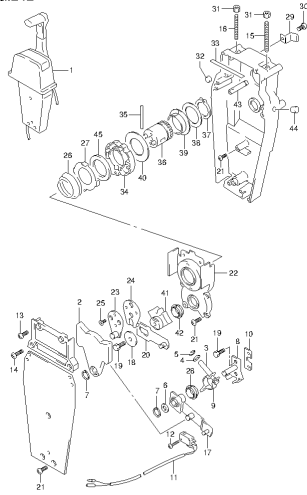
DF20A_F01_014_240
OPT.REMOTE CONTROL ASSY SINGLE (1)

FIG.241



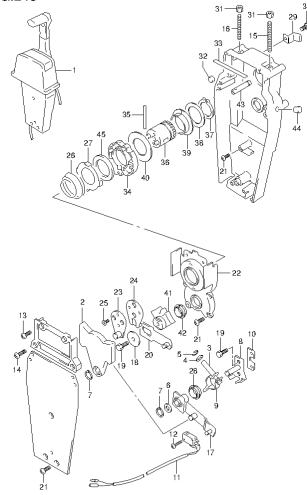
DF20A_F01_014_241
OPT.REMOTE CONTROL ASSY SINGLE (2)

FIG.242



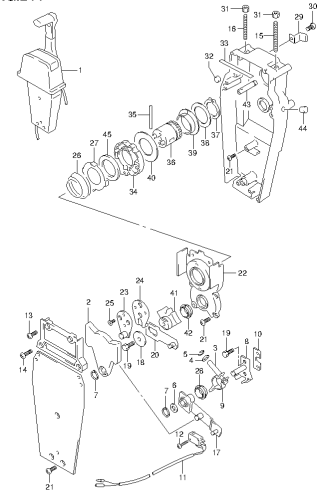
DF20A_F01_014_242
OPT.REMOTE CONTROL ASSY SINGLE (2)

FIG.243



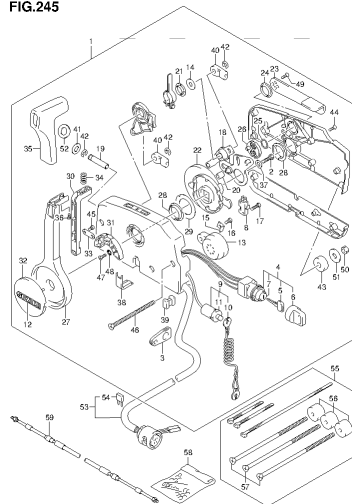
DF20A_F01_014_243
OPT.REMOTE CONTROL ASSY SINGLE (2)

FIG.244



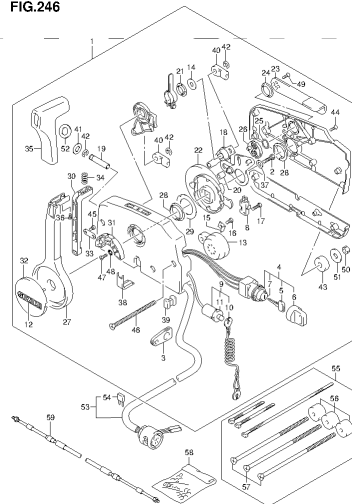
DF20A_F01_014_244
OPT.REMOTE CONTROL ASSY SINGLE (2)

FIG.245



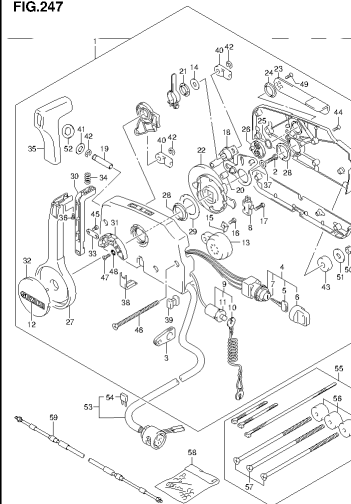
DF20A_F01_014_245
OPT.REMOTE CONTROL

FIG.246



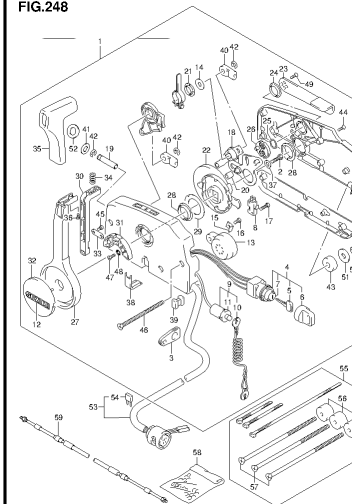
DF20A_F01_014_246
OPT.REMOTE CONTROL

FIG.247



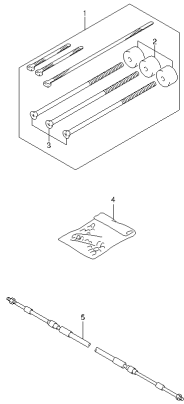
DF20A_F01_014_247
OPT.REMOTE CONTROL

FIG.248



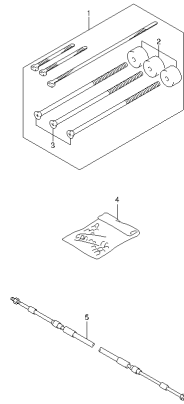
DF20A_F01_014_248
OPT.REMOTE CONTROL

FIG.249



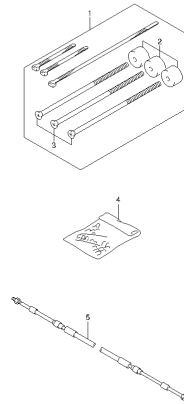
DF20A_F01_014_249
OPT.REMOCÓN CABLE

FIG.250



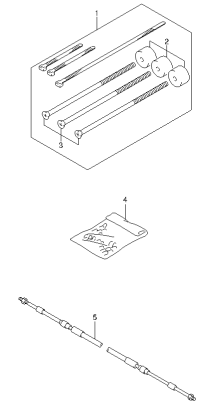
DF20A_F01_014_250
OPT.REMOCÓN CABLE

FIG.251



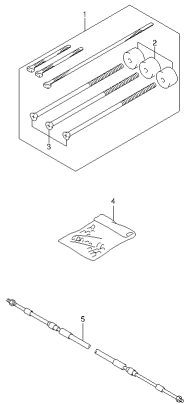
DF20A_F01_014_251
OPT.REMOCÓN CABLE

FIG.252



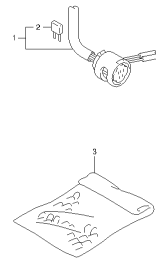
DF20A_F01_014_252
OPT.REMOCÓN CABLE

FIG.253



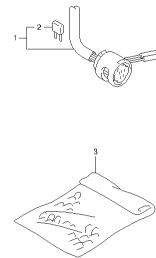
DF20A_F01_014_253
OPT.REMOCÓN CABLE

FIG.254



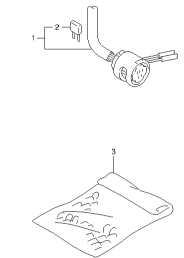
DF20A_F01_014_254
OPT.REMOCÓN CABLE (ELECTRIC STARTER)

FIG.255



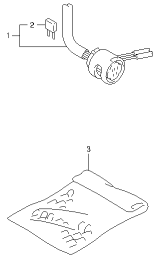
DF20A_F01_014_255
OPT.REMOCÓN CABLE (ELECTRIC STARTER)

FIG.256



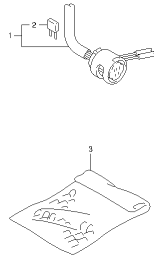
DF20A_F01_014_256
OPT.REMOCÓN CABLE (ELECTRIC STARTER)

FIG.257



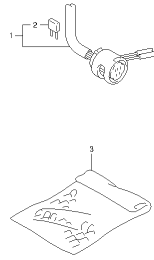
DF20A_F01_014_257
OPT. REMOCON. CABLE (ELECTRIC STARTER)

FIG.258



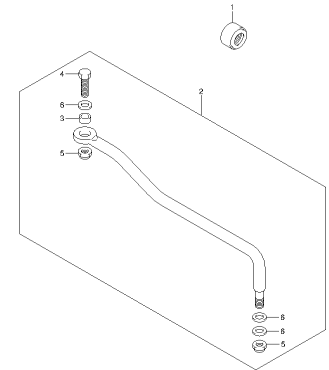
DF20A_F01_014_258
OPT. REMOCON. CABLE (ELECTRIC STARTER)

FIG.259



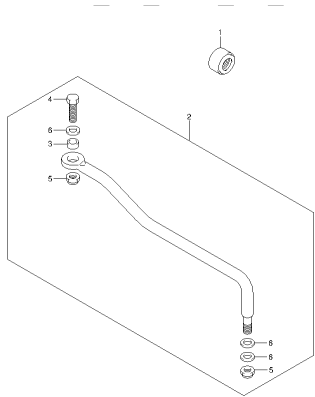
DF20A_F01_014_259
OPT. REMOCON. CABLE (ELECTRIC STARTER)

FIG.260



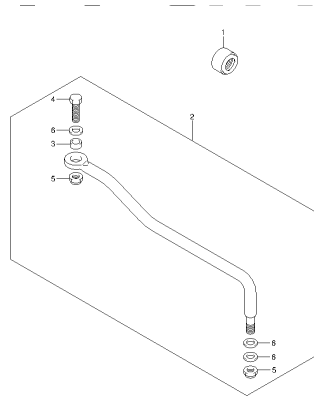
DF20A_F01_014_260
OPT. DRAG LINK

FIG.261



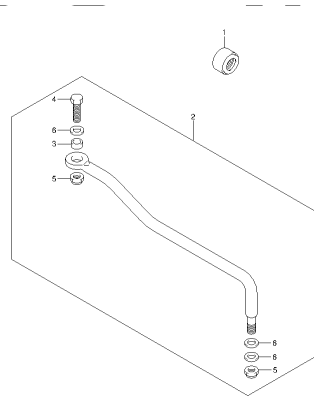
DF20A_F01_014_261
OPT. DRAG LINK

FIG.262



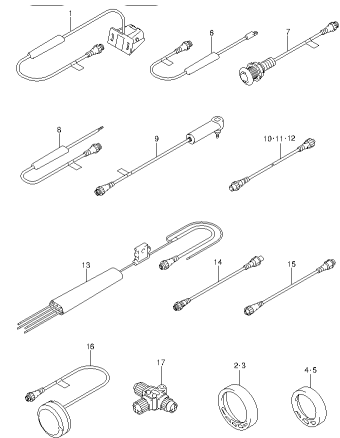
DF20A_F01_014_262
OPT. DRAG LINK

FIG.263



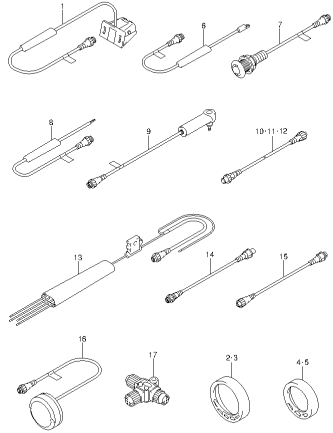
DF20A_F01_014_263
OPT. DRAG LINK

FIG.264



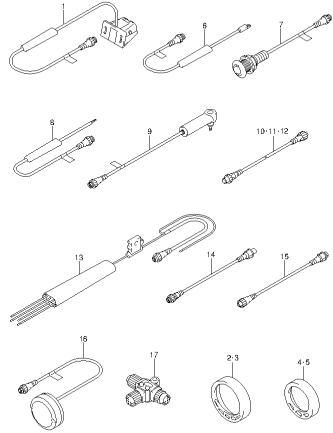
DF20A_F01_014_264
OPT. LOWRANCE GAUGE

FIG.265



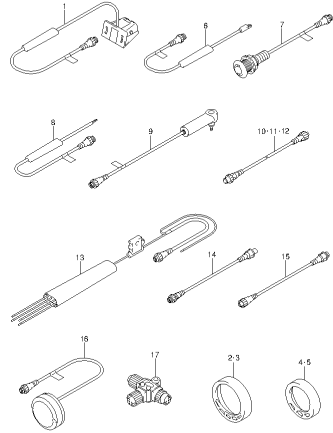
DF20A_FP01_014_265
DRIFT LOWRANCE GAUGE

FIG.266



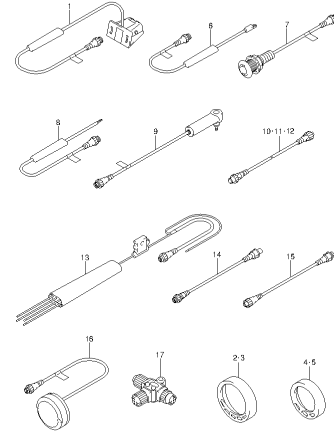
DF20A_FP01_014_266
DRIFT LOWRANCE GAUGE

FIG.267



DF20A_FP01_014_267
DRIFT LOWRANCE GAUGE

FIG.268



DF20A_FP01_014_268
DRIFT LOWRANCE GAUGE

FIG.1

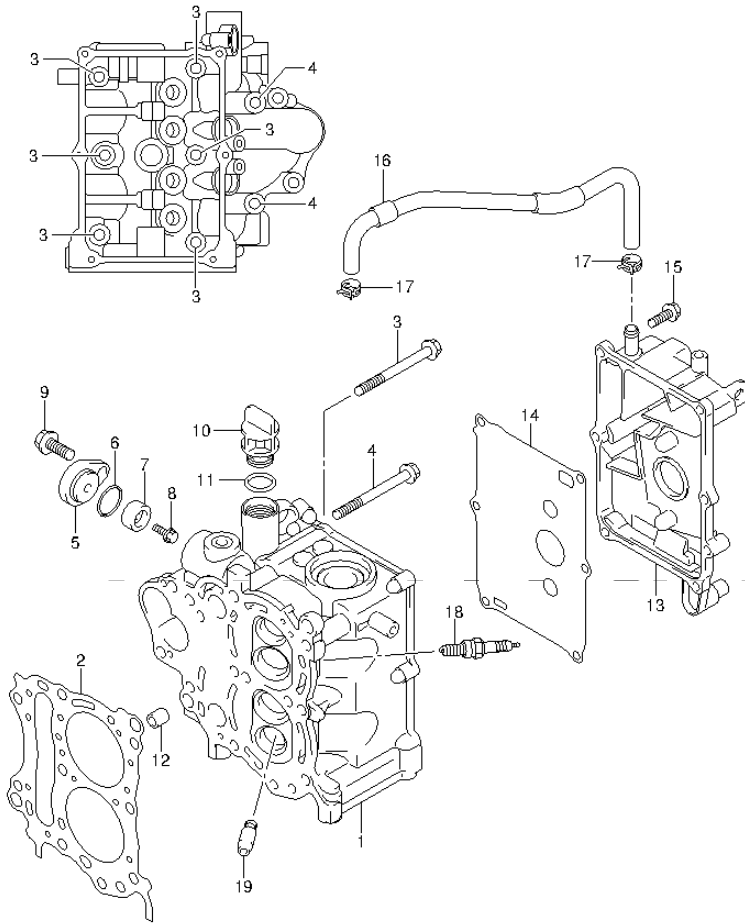


FIG.1 (1-B-2) CYLINDER HEAD

REF NO.	PART NO.	DESCRIPTION	Q'TY	REMARKS
1	11110-89L01	HEAD, CYLINDER	1	
2	11141-89L00	GASKET, CYLINDER HEAD	1	
3	09119-08L02	BOLT (8X72)	6	
4	09119-08L01	BOLT (8X77)	2	
5	11261-93J00	COVER, PROTECTION ANODE	1	
6	09280-22019	O RING (D:1.9,ID:21.8)	1	
7	55321-87J00	ANODE, PROTECTION	1	
8	09103-06281	BOLT (6X14)	1	
9	01550-08207	BOLT	1	
10	11382-93E00	CAP, OIL FILLER	1	
11	09280-17003	O RING (D:3.1,ID:16.8)	1	
12	04211-11129	PIN	2	
13	11170-89L00	COVER, CYLINDER HEAD	1	
14	11162-89L00	GASKET, CYLINDER HEAD COVER	1	
15	01550-06207	BOLT	6	
16	11174-89L00	HOSE, BREATHER	1	
17	09401-12413	CLIP	2	
18	09482-00L04	SPARK PLUG (CPR6EA-9)	2	NGK
19	11115-93E00-001	GUIDE, VALVE (OS:0.3)	4	OPT



FIG.2

FIG.2 (1-B-3) CYLINDER BLOCK

REF NO.	PART NO.	DESCRIPTION	Q'TY	REMARKS
1	11300-89L01	BLOCK ASSY, CYLINDER	1	
2	01550-06357	.BOLT	6	
3	01560-08757	.BOLT	4	
4	04211-11129	.PIN	2	
5	16440-11D00	REGULATOR ASSY, ENGINE	1	
6	11291-91B50	HOOK, ENGINE	1	OPT
7	01550-08207	BOLT	1	OPT

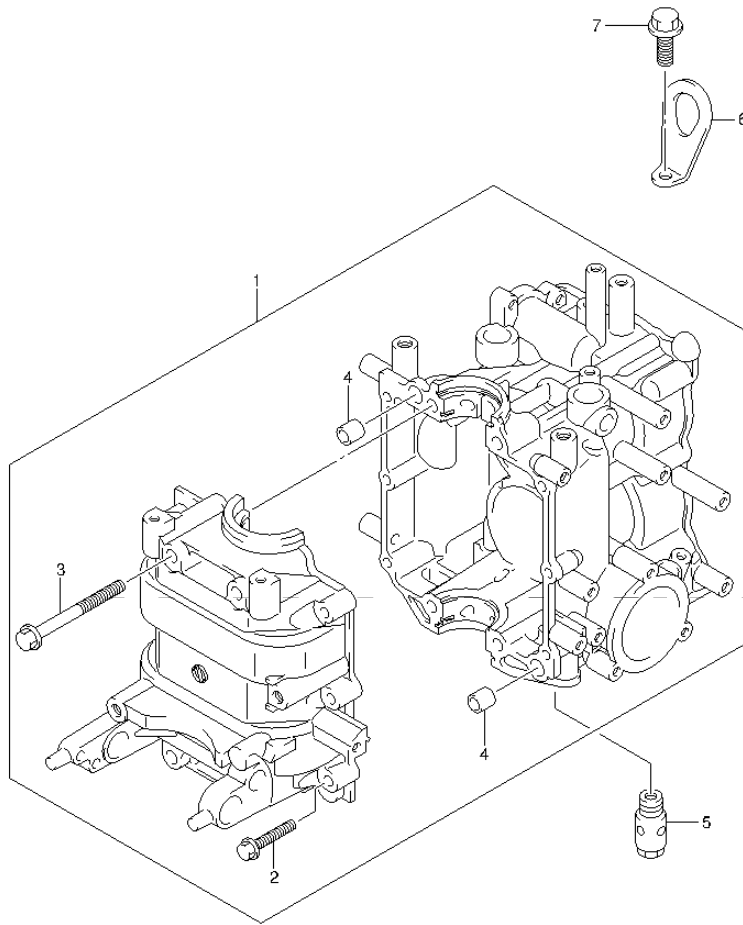


FIG.3

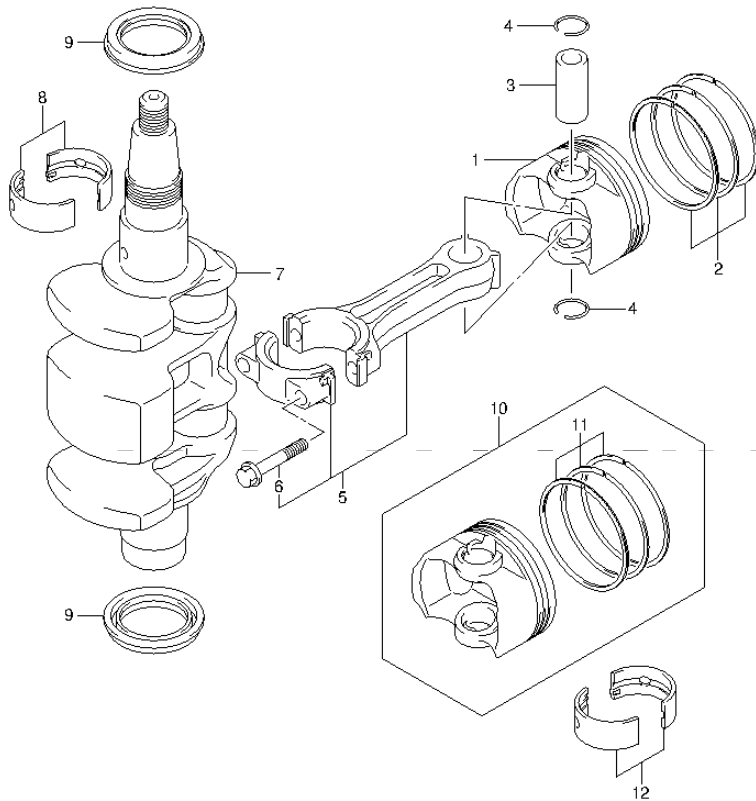


FIG.3 (1-B-4) CRANKSHAFT

REF NO.	PART NO.	DESCRIPTION	Q'TY	REMARKS
1	12111-89L00-0B0	PISTON	2	
2	12140-89L00	RING SET, PISTON	2	
3	12151-89L00	PIN, PISTON	2	
4	09381-16001	CIRCLIP	4	
5	12160-89L00	CONNROD ASSY	2	
6	12163-89L00	.BOLT, CONNROD	4	
7	12220-89L00	CRANKSHAFT	1	
8	12229-33C00-0A0	BEARING, CRANKSHAFT	4	
9	09283-32039	OIL SEAL (32X44X6.5)	2	
10	12100-89L00-050	PISTON SET (OS:0.50)	2	OPT
11	12140-89L00-050	.RING SET, PISTON	2	OPT
12	12229-33C00-0D0	BEARING, CRANKSHAFT	4	OPT



FIG.4

FIG.4 (1-B-5) TIMING BELT

REF NO.	PART NO.	DESCRIPTION	Q'TY	REMARKS
1	12631-89L10	PULLEY, CRANKSHAFT (NT:17)	1	
2	12635-89L00	GUIDE, TIMING BELT	1	
3	12636-89L00	GUIDE, TIMING BELT (LOWER)	1	
4	12637-89L00	NUT, TIMING PULLEY	1	
5	12638-89L00	WASHER, PULLEY NUT LOCK	1	
6	12741-89L00	PULLEY, CAMSHAFT (NT:34)	1	
7	09103-06267	BOLT (6X18)	1	
8	09160-06171	WASHER	1	
9	08341-31039	KEY	1	
10	08341-31039	KEY	1	
11	12625-89L01	BASE, STATOR	1	
12	04211-09149	PIN	2	
13	01550-06257	BOLT	2	
14	01550-06357	BOLT	2	
15	02122-04127	SCREW	3	
16	12761-93E0	BELT, TIMING	1	
17	12744-89L00	PLATE, SENSING	1	

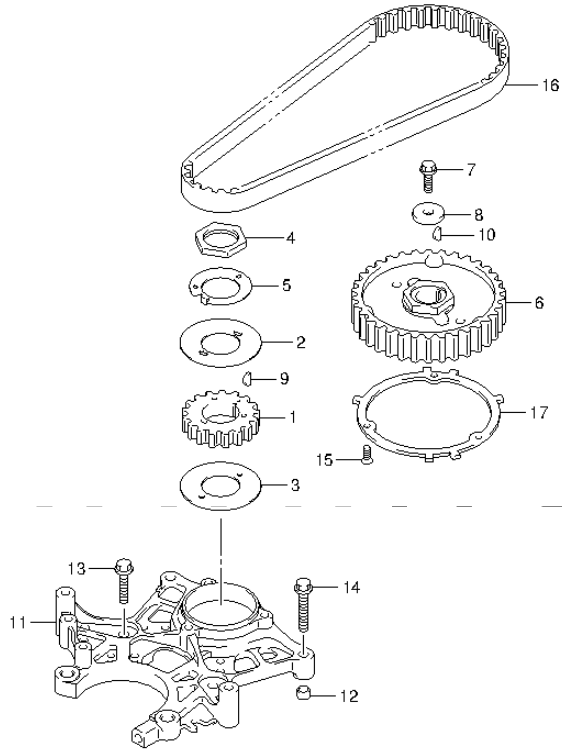


FIG.5

FIG.5 (1-B-6) CAMSHAFT (DF9.9B P01)

REF NO.	PART NO.	DESCRIPTION	Q'TY	REMARKS
1-1	12700-89L00	CAMSHAFT ASSY	1	W/MANUAL STARTER
1-2	12700-89L20	CAMSHAFT ASSY	1	W/ELECTRIC STARTER
2	09283-25096	OIL SEAL (25X44X7)	1	
3	12840-89L00	ARM, ROCKER	4	
4	12842-49201	.SCREW, TAPPET ADJUSTING	4	
5	12843-27A00	.NUT, TAPPET ADJUSTING	4	
6	12861-89L00	SHAFT, ROCKER ARM	1	
7	12891-94J00	SPRING, ROCKER SHAFT	1	
8	12911-93E00	VALVE, INTAKE	2	
9	12915-93E00	VALVE, EXHAUST	2	
10	12921-89L00	SPRING, VALVE	4	
11	12931-78G00	RETAINER, VALVE SPRING	4	
12	12932-24400	COTTER, VALVE	8	
13	12933-71C00	SEAT, VALVE SPRING	4	
14	09289-05012	OIL SEAL (5.5X11.5X9.3)	4	

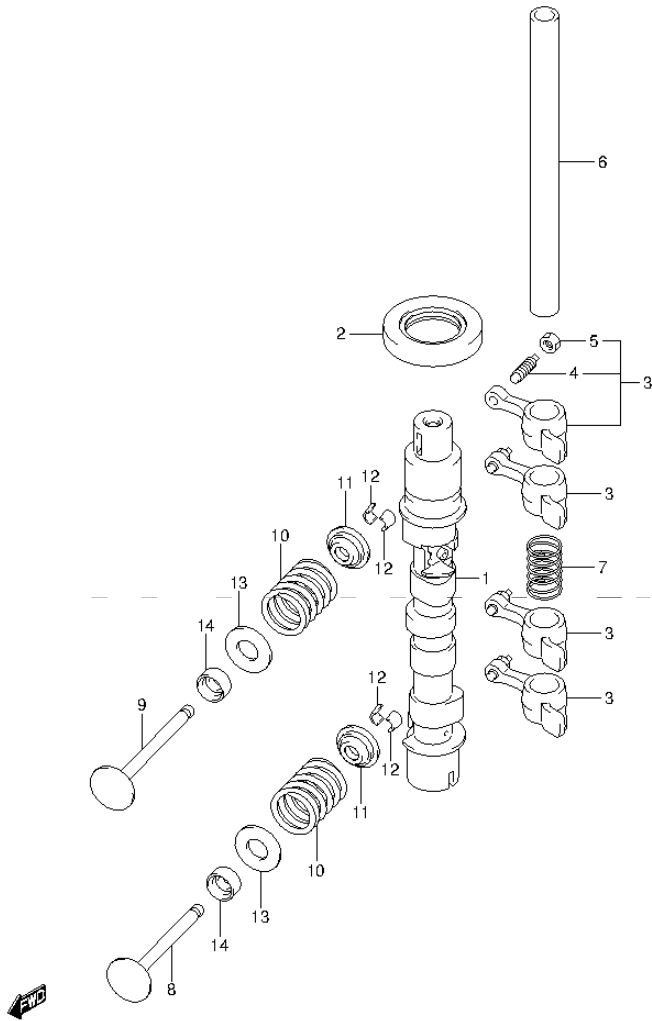


FIG.6

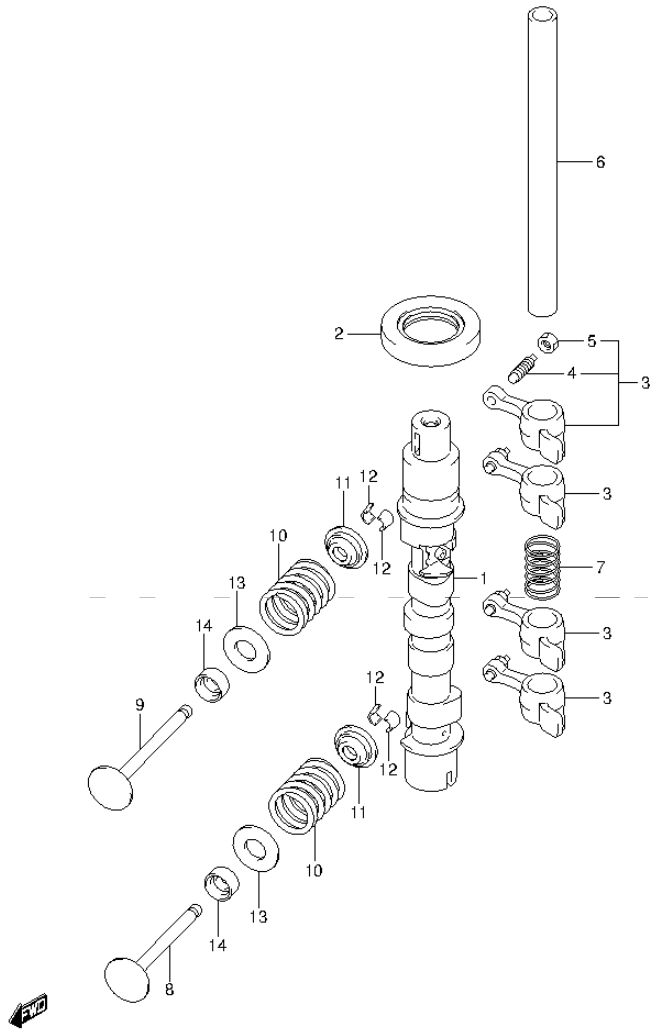


FIG.6 (1-B-7) CAMSHAFT (DF9.9BR P01)

REF NO.	PART NO.	DESCRIPTION	Q'TY	REMARKS
1	12700-89L20	CAMSHAFT ASSY	1	
2	09283-25096	OIL SEAL (25X44X7)	1	
3	12840-89L00	ARM, ROCKER	4	
4	12842-49201	.SCREW, TAPPET ADJUSTING	4	
5	12843-27A00	.NUT, TAPPET ADJUSTING	4	
6	12861-89L00	SHAFT, ROCKER ARM	1	
7	12891-94J00	SPRING, ROCKER SHAFT	1	
8	12911-93E00	VALVE, INTAKE	2	
9	12915-93E00	VALVE, EXHAUST	2	
10	12921-89L00	SPRING, VALVE	4	
11	12931-78G00	RETAINER, VALVE SPRING	4	
12	12932-24400	COTTER, VALVE	8	
13	12933-71C00	SEAT, VALVE SPRING	4	
14	09289-05012	OIL SEAL (5.5X11.5X9.3)	4	

FIG.7

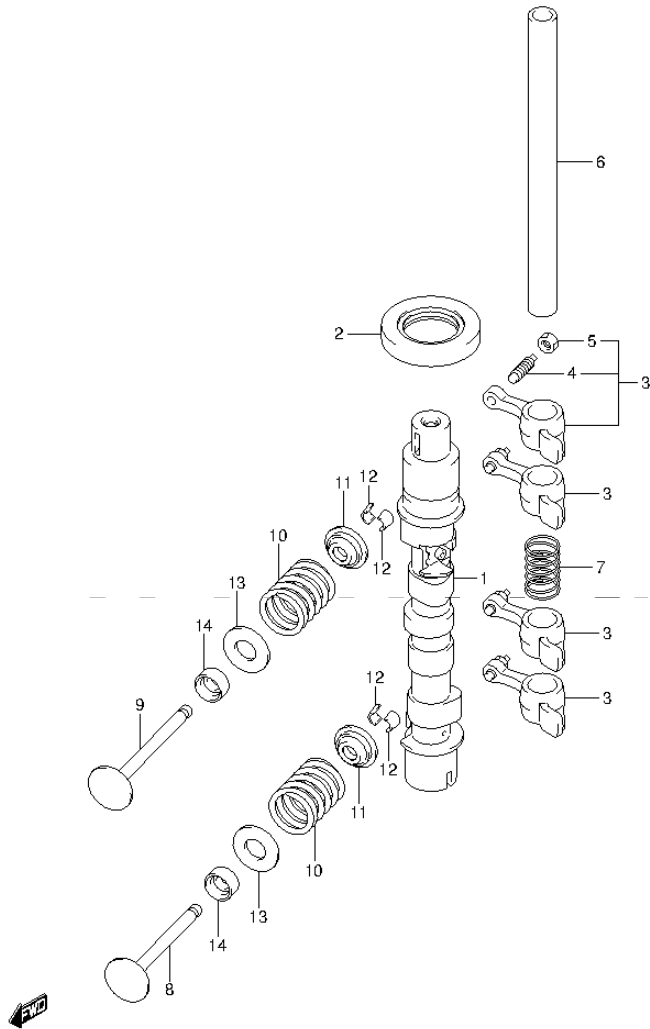
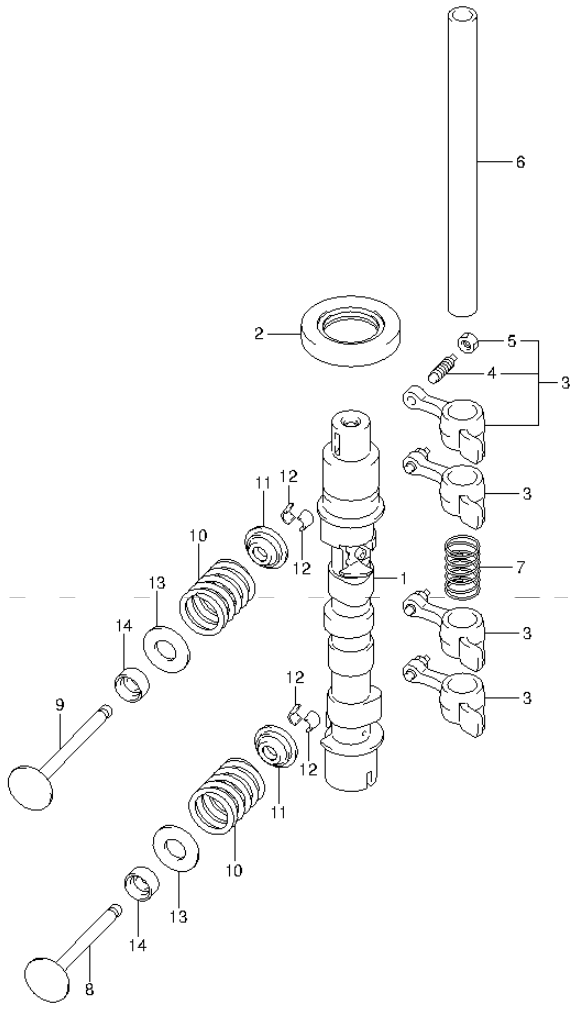


FIG.7 (1-B-8) CAMSHAFT (DF9.9BT P01)

REF NO.	PART NO.	DESCRIPTION	Q'TY	REMARKS
1	12700-89L20	CAMSHAFT ASSY	1	
2	09283-25096	OIL SEAL (25X44X7)	1	
3	12840-89L00	ARM, ROCKER	4	
4	12842-49201	.SCREW, TAPPET ADJUSTING	4	
5	12843-27A00	.NUT, TAPPET ADJUSTING	4	
6	12861-89L00	SHAFT, ROCKER ARM	1	
7	12891-94J00	SPRING, ROCKER SHAFT	1	
8	12911-93E00	VALVE, INTAKE	2	
9	12915-93E00	VALVE, EXHAUST	2	
10	12921-89L00	SPRING, VALVE	4	
11	12931-78G00	RETAINER, VALVE SPRING	4	
12	12932-24400	COTTER, VALVE	8	
13	12933-71C00	SEAT, VALVE SPRING	4	
14	09289-05012	OIL SEAL (5.5X11.5X9.3)	4	

FIG.8

FIG.8 (1-B-9) CAMSHAFT (DF15A P01)



REF NO.	PART NO.	DESCRIPTION	Q'TY	REMARKS
1-1	12700-89L00	CAMSHAFT ASSY	1	W/MANUAL STARTER
1-2	12700-89L20	CAMSHAFT ASSY	1	W/ELECTRIC STARTER
2	09283-25096	OIL SEAL (25X44X7)	1	
3	12840-89L00	ARM, ROCKER	4	
4	12842-49201	.SCREW, TAPPET ADJUSTING	4	
5	12843-27A00	.NUT, TAPPET ADJUSTING	4	
6	12861-89L00	SHAFT, ROCKER ARM	1	
7	12891-94J00	SPRING, ROCKER SHAFT	1	
8	12911-93E00	VALVE, INTAKE	2	
9	12915-93E00	VALVE, EXHAUST	2	
10	12921-89L00	SPRING, VALVE	4	
11	12931-78G00	RETAINER, VALVE SPRING	4	
12	12932-24400	COTTER, VALVE	8	
13	12933-71C00	SEAT, VALVE SPRING	4	
14	09289-05012	OIL SEAL (5.5X11.5X9.3)	4	

FIG.9

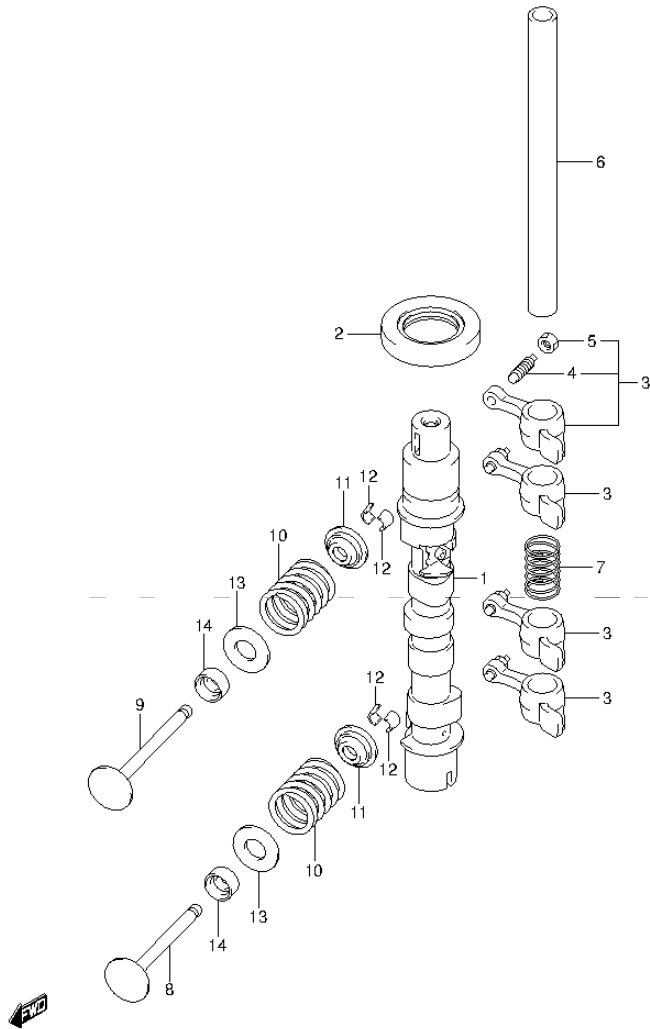


FIG.9 (1-B-10) CAMSHAFT (DF15AR P01)

REF NO.	PART NO.	DESCRIPTION	Q'TY	REMARKS
1	12700-89L20	CAMSHAFT ASSY	1	
2	09283-25096	OIL SEAL (25X44X7)	1	
3	12840-89L00	ARM, ROCKER	4	
4	12842-49201	.SCREW, TAPPET ADJUSTING	4	
5	12843-27A00	.NUT, TAPPET ADJUSTING	4	
6	12861-89L00	SHAFT, ROCKER ARM	1	
7	12891-94J00	SPRING, ROCKER SHAFT	1	
8	12911-93E00	VALVE, INTAKE	2	
9	12915-93E00	VALVE, EXHAUST	2	
10	12921-89L00	SPRING, VALVE	4	
11	12931-78G00	RETAINER, VALVE SPRING	4	
12	12932-24400	COTTER, VALVE	8	
13	12933-71C00	SEAT, VALVE SPRING	4	
14	09289-05012	OIL SEAL (5.5X11.5X9.3)	4	

FIG.10

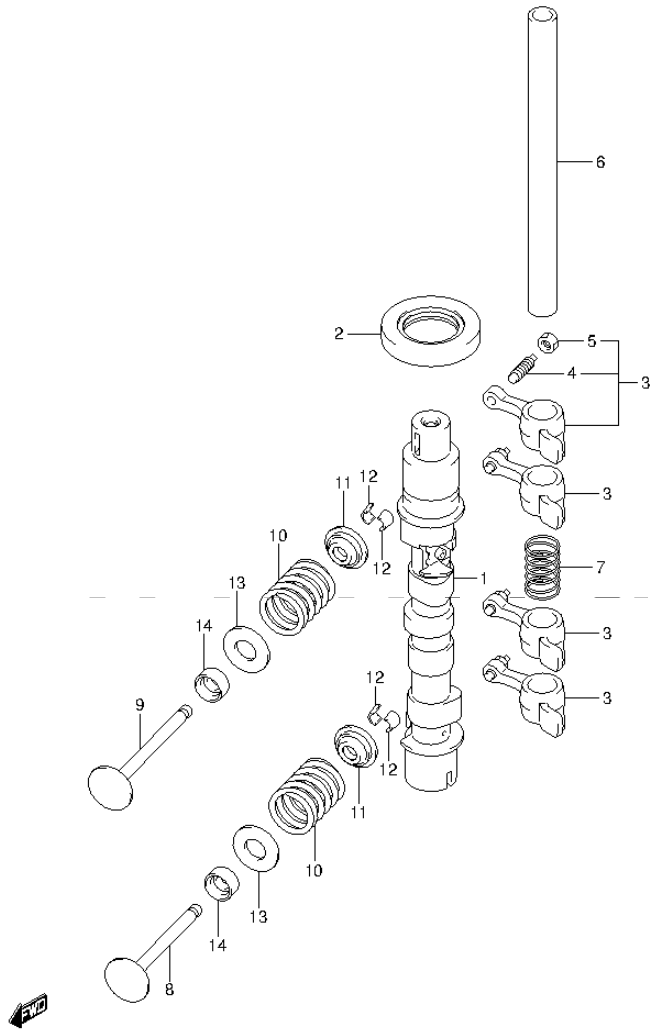


FIG.10 (1-B-11) CAMSHAFT (DF15ATH P01)

REF NO.	PART NO.	DESCRIPTION	Q'TY	REMARKS
1	12700-89L20	CAMSHAFT ASSY	1	
2	09283-25096	OIL SEAL (25X44X7)	1	
3	12840-89L00	ARM, ROCKER	4	
4	12842-49201	.SCREW, TAPPET ADJUSTING	4	
5	12843-27A00	.NUT, TAPPET ADJUSTING	4	
6	12861-89L00	SHAFT, ROCKER ARM	1	
7	12891-94J00	SPRING, ROCKER SHAFT	1	
8	12911-93E00	VALVE, INTAKE	2	
9	12915-93E00	VALVE, EXHAUST	2	
10	12921-89L00	SPRING, VALVE	4	
11	12931-78G00	RETAINER, VALVE SPRING	4	
12	12932-24400	COTTER, VALVE	8	
13	12933-71C00	SEAT, VALVE SPRING	4	
14	09289-05012	OIL SEAL (5.5X11.5X9.3)	4	

FIG.11

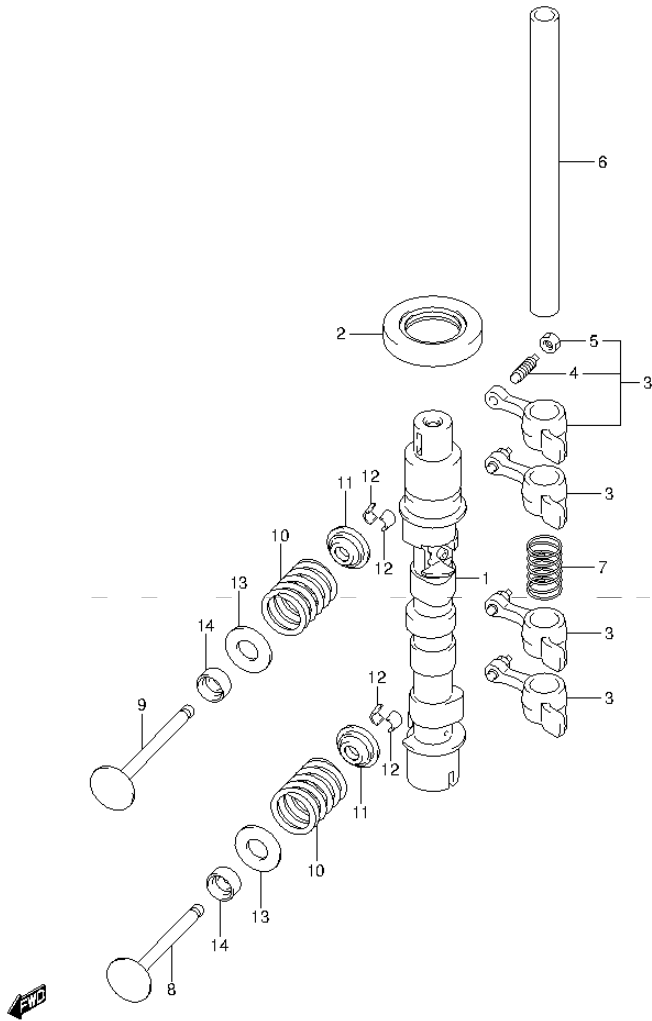


FIG.11 (1-B-12) CAMSHAFT (DF20A P01)

REF NO.	PART NO.	DESCRIPTION	Q'TY	REMARKS
1-1	12700-89L00	CAMSHAFT ASSY	1	W/MANUAL STARTER
1-2	12700-89L20	CAMSHAFT ASSY	1	W/ELECTRIC STARTER
2	09283-25096	OIL SEAL (25X44X7)	1	
3	12840-89L00	ARM, ROCKER	4	
4	12842-49201	.SCREW, TAPPET ADJUSTING	4	
5	12843-27A00	.NUT, TAPPET ADJUSTING	4	
6	12861-89L00	SHAFT, ROCKER ARM	1	
7	12891-94J00	SPRING, ROCKER SHAFT	1	
8	12911-93E00	VALVE, INTAKE	2	
9	12915-93E00	VALVE, EXHAUST	2	
10	12921-89L00	SPRING, VALVE	4	
11	12931-78G00	RETAINER, VALVE SPRING	4	
12	12932-24400	COTTER, VALVE	8	
13	12933-71C00	SEAT, VALVE SPRING	4	
14	09289-05012	OIL SEAL (5.5X11.5X9.3)	4	

FIG.12

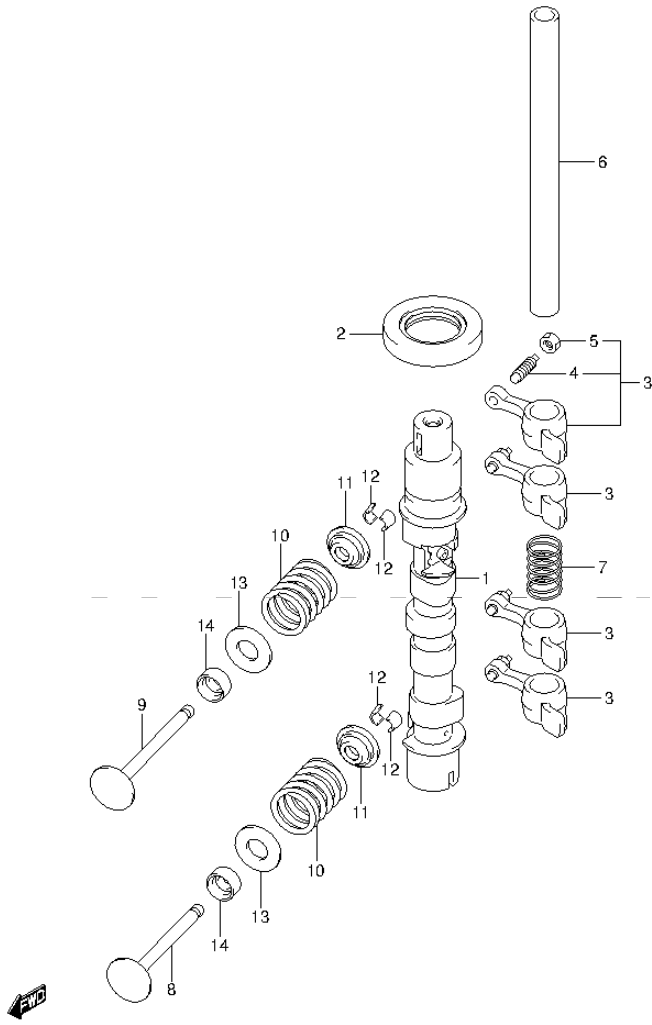


FIG.12 (1-B-13) CAMSHAFT (DF20A P40)

REF NO.	PART NO.	DESCRIPTION	Q'TY	REMARKS
1-1	12700-89L00	CAMSHAFT ASSY	1	W/MANUAL STARTER
1-2	12700-89L20	CAMSHAFT ASSY	1	W/ELECTRIC STARTER
2	09283-25096	OIL SEAL (25X44X7)	1	
3	12840-89L00	ARM, ROCKER	4	
4	12842-49201	.SCREW, TAPPET ADJUSTING	4	
5	12843-27A00	.NUT, TAPPET ADJUSTING	4	
6	12861-89L00	SHAFT, ROCKER ARM	1	
7	12891-94J00	SPRING, ROCKER SHAFT	1	
8	12911-93E00	VALVE, INTAKE	2	
9	12915-93E00	VALVE, EXHAUST	2	
10	12921-89L00	SPRING, VALVE	4	
11	12931-78G00	RETAINER, VALVE SPRING	4	
12	12932-24400	COTTER, VALVE	8	
13	12933-71C00	SEAT, VALVE SPRING	4	
14	09289-05012	OIL SEAL (5.5X11.5X9.3)	4	

FIG.13

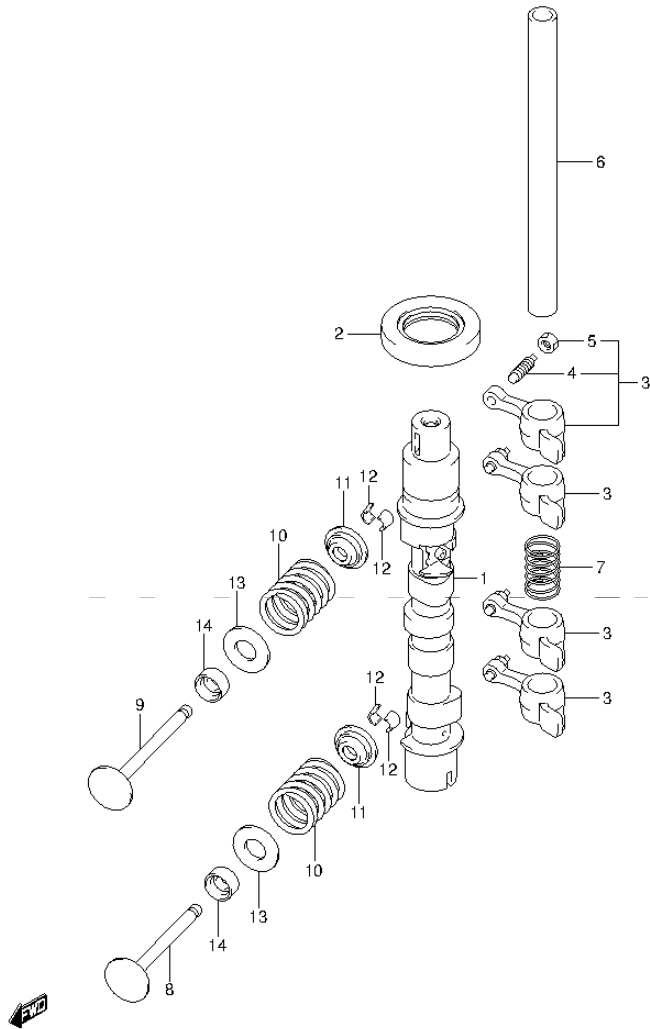


FIG.13 (1-B-14) CAMSHAFT (DF20AR P01)

REF NO.	PART NO.	DESCRIPTION	Q'TY	REMARKS
1	12700-89L20	CAMSHAFT ASSY	1	
2	09283-25096	OIL SEAL (25X44X7)	1	
3	12840-89L00	ARM, ROCKER	4	
4	12842-49201	.SCREW, TAPPET ADJUSTING	4	
5	12843-27A00	.NUT, TAPPET ADJUSTING	4	
6	12861-89L00	SHAFT, ROCKER ARM	1	
7	12891-94J00	SPRING, ROCKER SHAFT	1	
8	12911-93E00	VALVE, INTAKE	2	
9	12915-93E00	VALVE, EXHAUST	2	
10	12921-89L00	SPRING, VALVE	4	
11	12931-78G00	RETAINER, VALVE SPRING	4	
12	12932-24400	COTTER, VALVE	8	
13	12933-71C00	SEAT, VALVE SPRING	4	
14	09289-05012	OIL SEAL (5.5X11.5X9.3)	4	

FIG.14

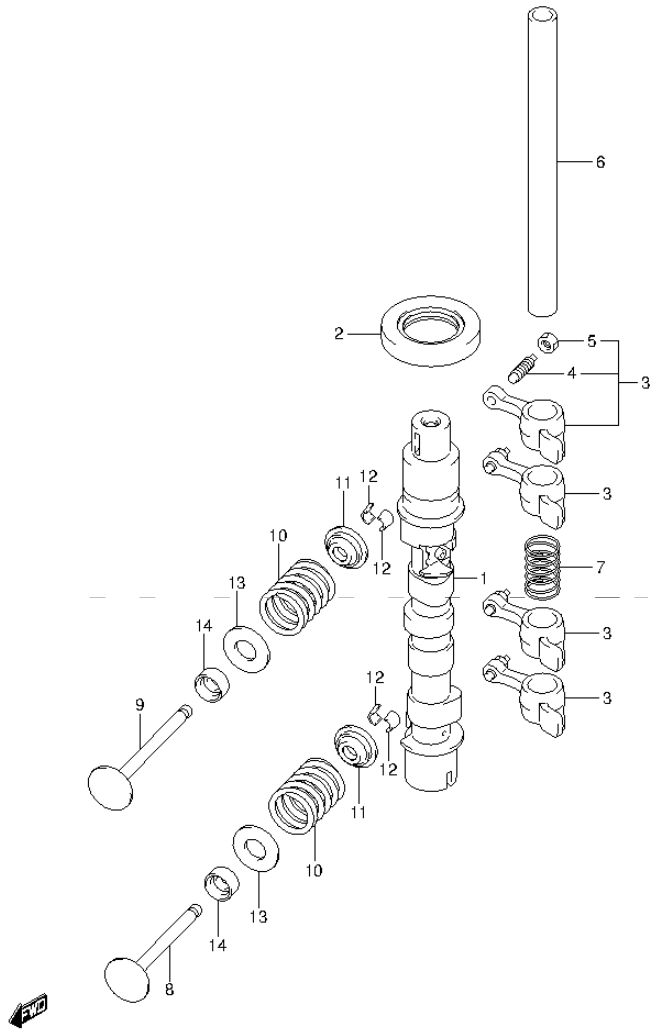


FIG.14 (1-B-15) CAMSHAFT (DF20AT P01)

REF NO.	PART NO.	DESCRIPTION	Q'TY	REMARKS
1	12700-89L20	CAMSHAFT ASSY	1	
2	09283-25096	OIL SEAL (25X44X7)	1	
3	12840-89L00	ARM, ROCKER	4	
4	12842-49201	.SCREW, TAPPET ADJUSTING	4	
5	12843-27A00	.NUT, TAPPET ADJUSTING	4	
6	12861-89L00	SHAFT, ROCKER ARM	1	
7	12891-94J00	SPRING, ROCKER SHAFT	1	
8	12911-93E00	VALVE, INTAKE	2	
9	12915-93E00	VALVE, EXHAUST	2	
10	12921-89L00	SPRING, VALVE	4	
11	12931-78G00	RETAINER, VALVE SPRING	4	
12	12932-24400	COTTER, VALVE	8	
13	12933-71C00	SEAT, VALVE SPRING	4	
14	09289-05012	OIL SEAL (5.5X11.5X9.3)	4	

FIG.15

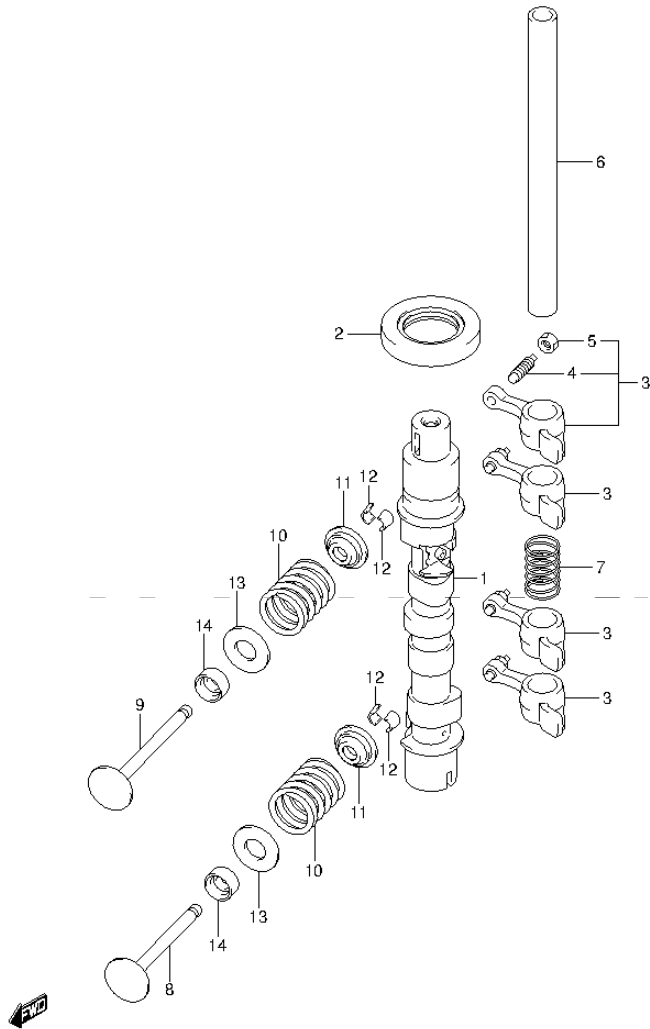


FIG.15 (1-C-2) CAMSHAFT (DF20ATH P01)

REF NO.	PART NO.	DESCRIPTION	Q'TY	REMARKS
1	12700-89L20	CAMSHAFT ASSY	1	
2	09283-25096	OIL SEAL (25X44X7)	1	
3	12840-89L00	ARM, ROCKER	4	
4	12842-49201	.SCREW, TAPPET ADJUSTING	4	
5	12843-27A00	.NUT, TAPPET ADJUSTING	4	
6	12861-89L00	SHAFT, ROCKER ARM	1	
7	12891-94J00	SPRING, ROCKER SHAFT	1	
8	12911-93E00	VALVE, INTAKE	2	
9	12915-93E00	VALVE, EXHAUST	2	
10	12921-89L00	SPRING, VALVE	4	
11	12931-78G00	RETAINER, VALVE SPRING	4	
12	12932-24400	COTTER, VALVE	8	
13	12933-71C00	SEAT, VALVE SPRING	4	
14	09289-05012	OIL SEAL (5.5X11.5X9.3)	4	

FIG.16

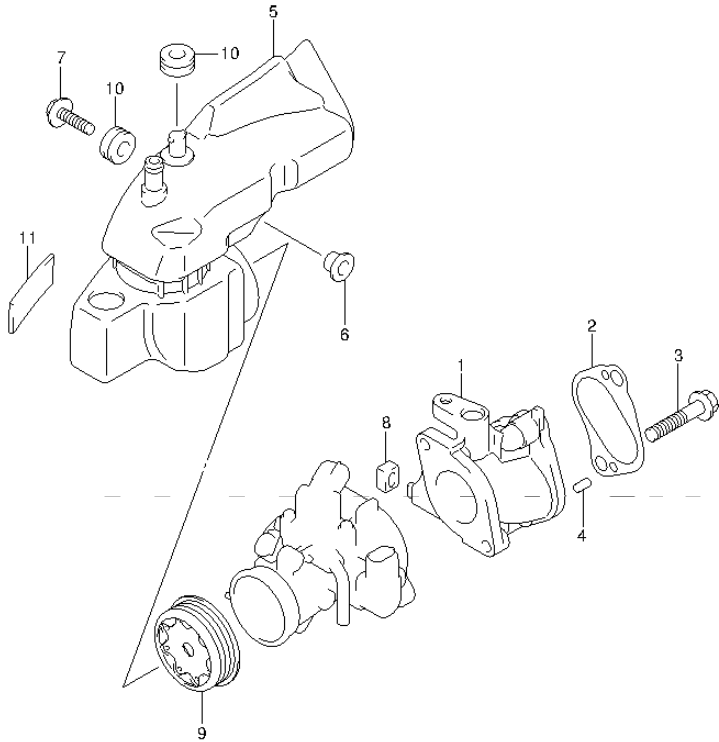


FIG.16 (1-C-3) INLET MANIFOLD (DF9.9B P01)

REF NO.	PART NO.	DESCRIPTION	Q'TY	REMARKS
1	13111-89L00	MANIFOLD, INLET	1	
2	13119-89L00	GASKET, INLET MANIFOLD	1	
3	01550-08407	BOLT	2	
4	04221-05109	PIN	2	
5	13811-89L00	SILENCER	1	
6	09169-06062	WASHER	1	
7	09116-06202	BOLT (6X25)	1	
8	13116-94J00	CAP, INLET MANIFOLD	1	
9	13820-89L10	HOLDER, RESTRICTOR	1	
10	09320-09052	CUSHION	2	
11	13831-89L00	CUSHION, AIR INLET PIPE	1	



FIG.17

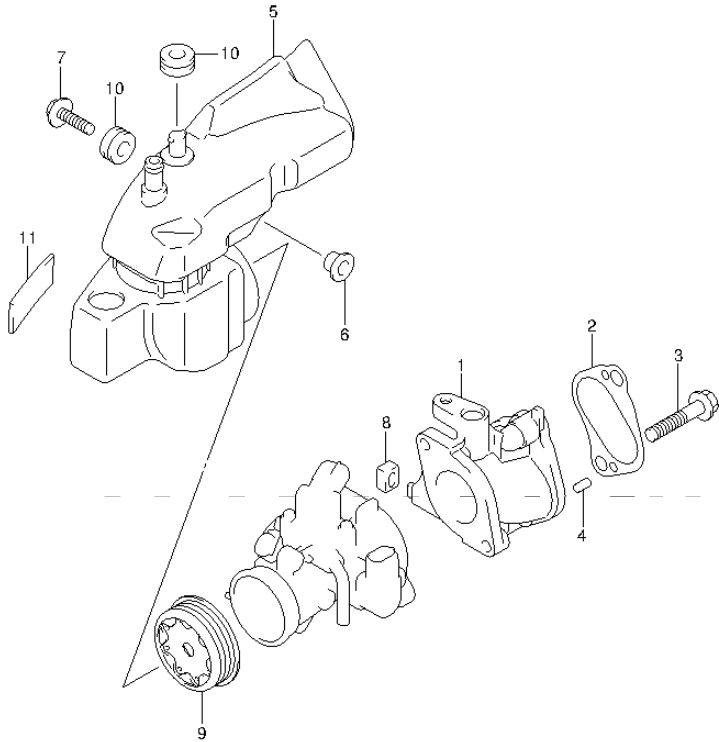


FIG.17 (1-C-4) INLET MANIFOLD (DF9.9BR P01)

REF NO.	PART NO.	DESCRIPTION	Q'TY	REMARKS
1	13111-89L00	MANIFOLD, INLET	1	
2	13119-89L00	GASKET, INLET MANIFOLD	1	
3	01550-08407	BOLT	2	
4	04221-05109	PIN	2	
5	13811-89L00	SILENCER	1	
6	09169-06062	WASHER	1	
7	09116-06202	BOLT (6X25)	1	
8	13116-94J00	CAP, INLET MANIFOLD	1	
9	13820-89L10	HOLDER, RESTRICTOR	1	
10	09320-09052	CUSHION	2	
11	13831-89L00	CUSHION, AIR INLET PIPE	1	



FIG.18

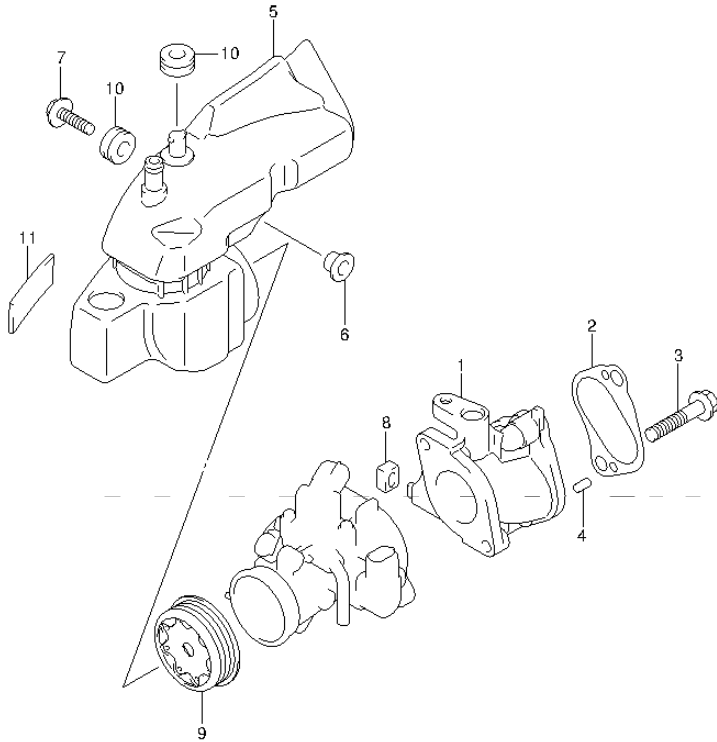


FIG.18 (1-C-5) INLET MANIFOLD (DF9.9BT P01)

REF NO.	PART NO.	DESCRIPTION	Q'TY	REMARKS
1	13111-89L00	MANIFOLD, INLET	1	
2	13119-89L00	GASKET, INLET MANIFOLD	1	
3	01550-08407	BOLT	2	
4	04221-05109	PIN	2	
5	13811-89L00	SILENCER	1	
6	09169-06062	WASHER	1	
7	09116-06202	BOLT (6X25)	1	
8	13116-94J00	CAP, INLET MANIFOLD	1	
9	13820-89L10	HOLDER, RESTRICTOR	1	
10	09320-09052	CUSHION	2	
11	13831-89L00	CUSHION, AIR INLET PIPE	1	



FIG.19

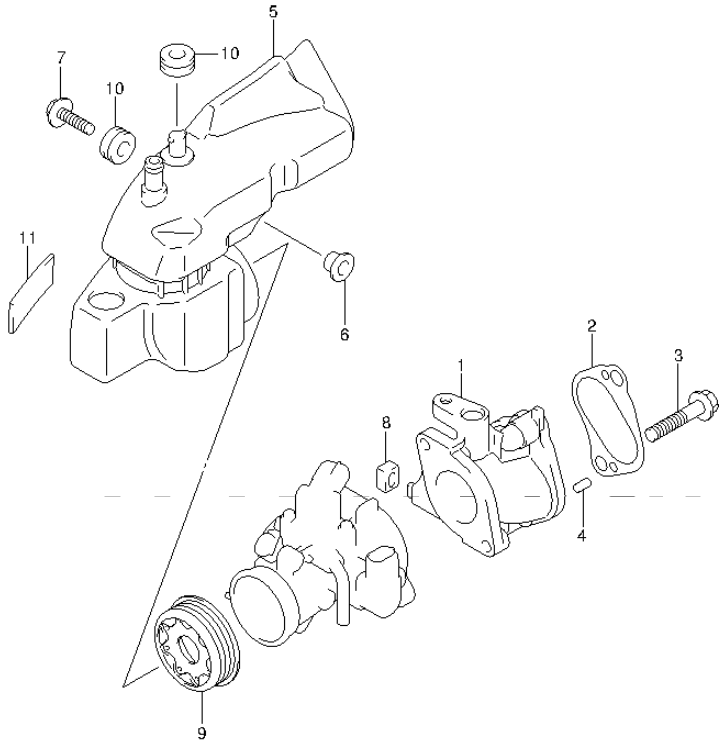


FIG.19 (1-C-6) INLET MANIFOLD (DF15A P01)

REF NO.	PART NO.	DESCRIPTION	Q'TY	REMARKS
1	13111-89L00	MANIFOLD, INLET	1	
2	13119-89L00	GASKET, INLET MANIFOLD	1	
3	01550-08407	BOLT	2	
4	04221-05109	PIN	2	
5	13811-89L00	SILENCER	1	
6	09169-06062	WASHER	1	
7	09116-06202	BOLT (6X25)	1	
8	13116-94J00	CAP, INLET MANIFOLD	1	
9	13820-89L00	HOLDER, RESTRICTOR	1	
10	09320-09052	CUSHION	2	
11	13831-89L00	CUSHION, AIR INLET PIPE	1	



FIG.20

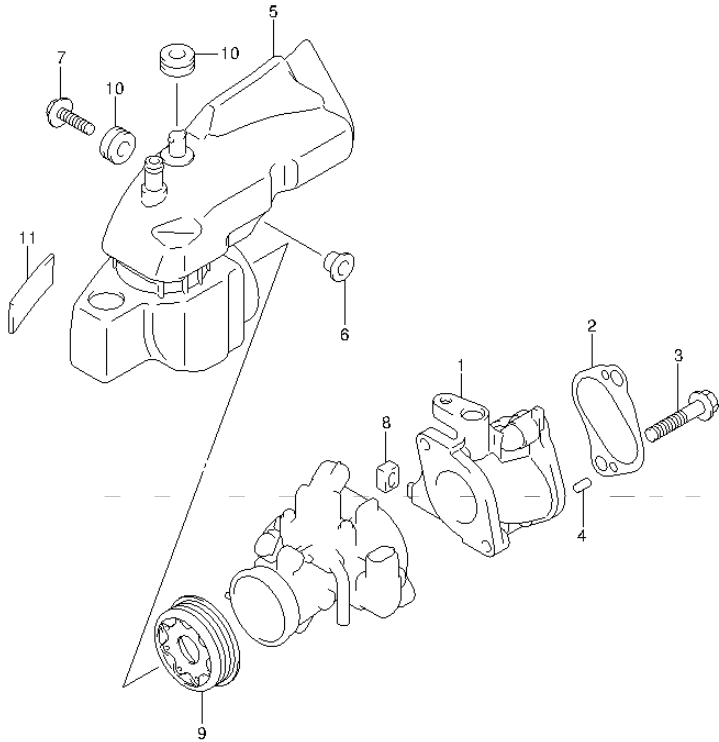


FIG.20 (1-C-7) INLET MANIFOLD (DF15AR P01)

REF NO.	PART NO.	DESCRIPTION	Q'TY	REMARKS
1	13111-89L00	MANIFOLD, INLET	1	
2	13119-89L00	GASKET, INLET MANIFOLD	1	
3	01550-08407	BOLT	2	
4	04221-05109	PIN	2	
5	13811-89L00	SILENCER	1	
6	09169-06062	WASHER	1	
7	09116-06202	BOLT (6X25)	1	
8	13116-94J00	CAP, INLET MANIFOLD	1	
9	13820-89L00	HOLDER, RESTRICTOR	1	
10	09320-09052	CUSHION	2	
11	13831-89L00	CUSHION, AIR INLET PIPE	1	



FIG.21

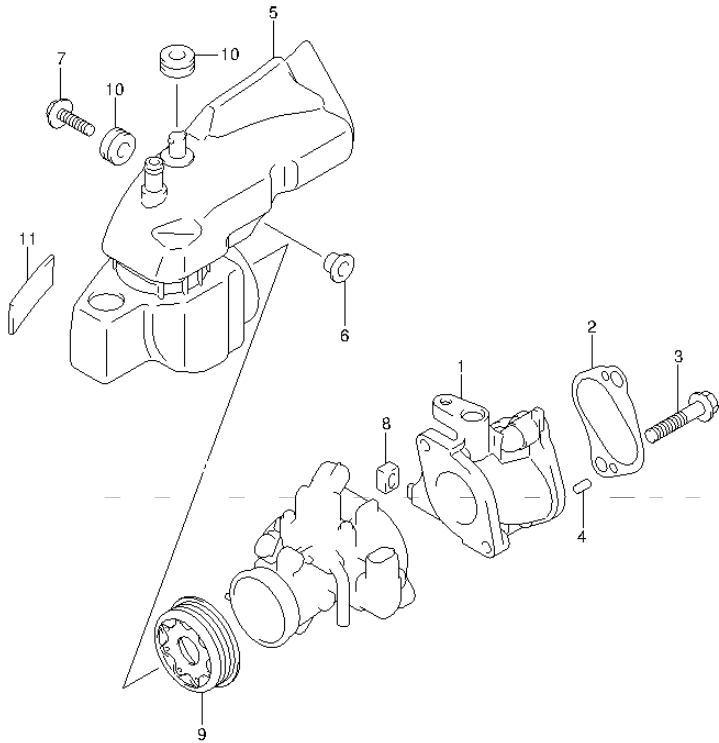


FIG.21 (1-C-8) INLET MANIFOLD (DF15ATH P01)

REF NO.	PART NO.	DESCRIPTION	Q'TY	REMARKS
1	13111-89L00	MANIFOLD, INLET	1	
2	13119-89L00	GASKET, INLET MANIFOLD	1	
3	01550-08407	BOLT	2	
4	04221-05109	PIN	2	
5	13811-89L00	SILENCER	1	
6	09169-06062	WASHER	1	
7	09116-06202	BOLT (6X25)	1	
8	13116-94J00	CAP, INLET MANIFOLD	1	
9	13820-89L00	HOLDER, RESTRICTOR	1	
10	09320-09052	CUSHION	2	
11	13831-89L00	CUSHION, AIR INLET PIPE	1	



FIG.22

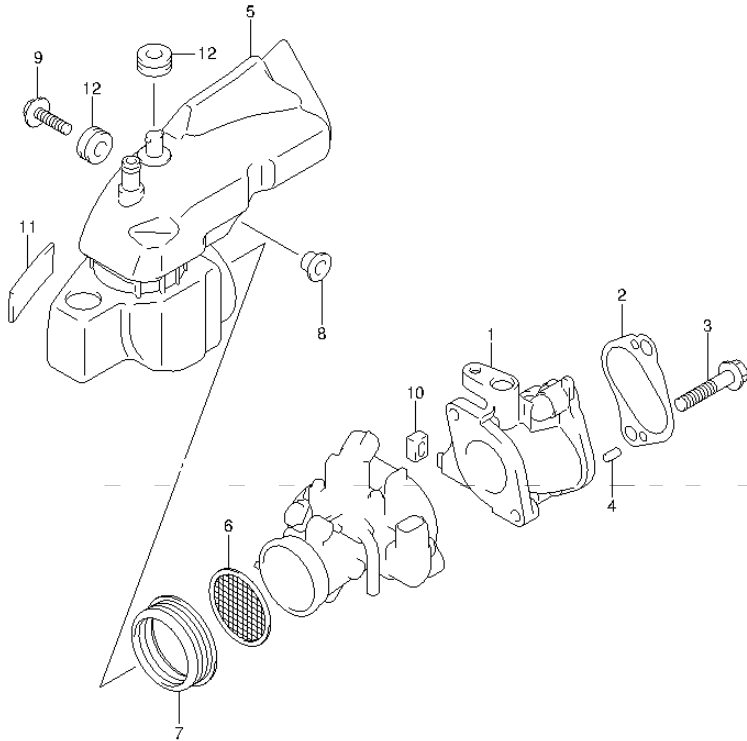


FIG.22 (1-C-9) INLET MANIFOLD (DF20A P01)

REF NO.	PART NO.	DESCRIPTION	Q'TY	REMARKS
1	13111-89L00	MANIFOLD, INLET	1	
2	13119-89L00	GASKET, INLET MANIFOLD	1	
3	01550-08407	BOLT	2	
4	04221-05109	PIN	2	
5	13811-89L00	SILENCER	1	
6	13710-89L00	ARRESTER, FLAME	1	
7	13832-89L00	SEAL, SILENCER	1	
8	09169-06062	WASHER	1	
9	09116-06202	BOLT (6X25)	1	
10	13116-94J00	CAP, INLET MANIFOLD	1	
11	13831-89L00	CUSHION, AIR INLET PIPE	1	
12	09320-09052	CUSHION	2	



FIG.23

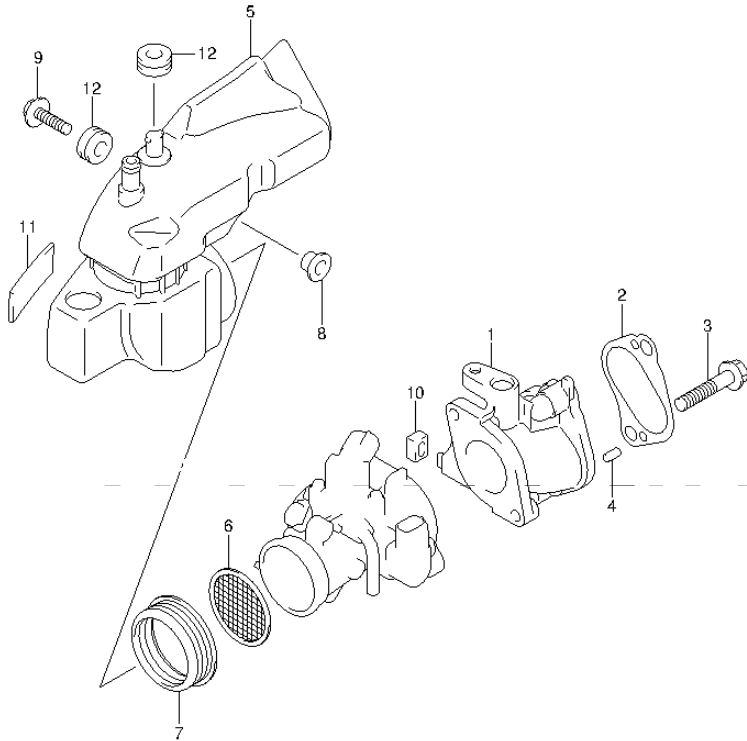


FIG.23 (1-C-10) INLET MANIFOLD (DF20A P40)

REF NO.	PART NO.	DESCRIPTION	Q'TY	REMARKS
1	13111-89L00	MANIFOLD, INLET	1	
2	13119-89L00	GASKET, INLET MANIFOLD	1	
3	01550-08407	BOLT	2	
4	04221-05109	PIN	2	
5	13811-89L00	SILENCER	1	
6	13710-89L00	ARRESTER, FLAME	1	
7	13832-89L00	SEAL, SILENCER	1	
8	09169-06062	WASHER	1	
9	09116-06202	BOLT (6X25)	1	
10	13116-94J00	CAP, INLET MANIFOLD	1	
11	13831-89L00	CUSHION, AIR INLET PIPE	1	
12	09320-09052	CUSHION	2	



FIG.24

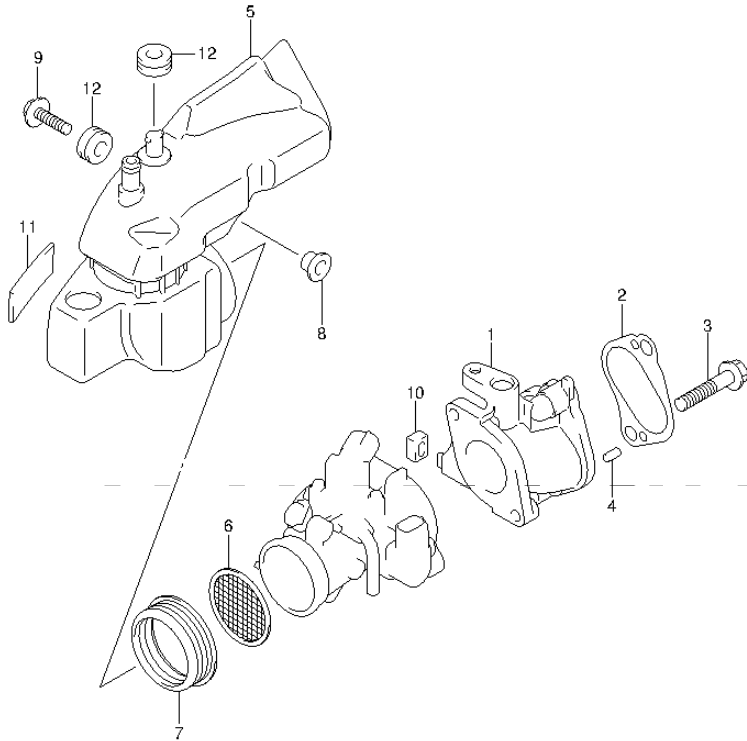


FIG.24 (1-C-11) INLET MANIFOLD (DF20AR P01)

REF NO.	PART NO.	DESCRIPTION	Q'TY	REMARKS
1	13111-89L00	MANIFOLD, INLET	1	
2	13119-89L00	GASKET, INLET MANIFOLD	1	
3	01550-08407	BOLT	2	
4	04221-05109	PIN	2	
5	13811-89L00	SILENCER	1	
6	13710-89L00	ARRESTER, FLAME	1	
7	13832-89L00	SEAL, SILENCER	1	
8	09169-06062	WASHER	1	
9	09116-06202	BOLT (6X25)	1	
10	13116-94J00	CAP, INLET MANIFOLD	1	
11	13831-89L00	CUSHION, AIR INLET PIPE	1	
12	09320-09052	CUSHION	2	



FIG.25

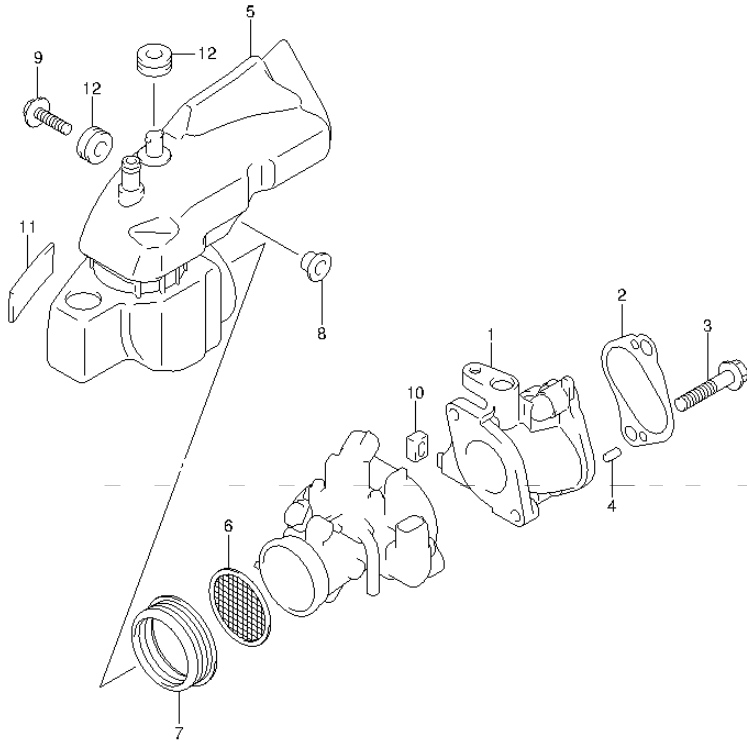


FIG.25 (1-C-12) INLET MANIFOLD (DF20AT P01)

REF NO.	PART NO.	DESCRIPTION	Q'TY	REMARKS
1	13111-89L00	MANIFOLD, INLET	1	
2	13119-89L00	GASKET, INLET MANIFOLD	1	
3	01550-08407	BOLT	2	
4	04221-05109	PIN	2	
5	13811-89L00	SILENCER	1	
6	13710-89L00	ARRESTER, FLAME	1	
7	13832-89L00	SEAL, SILENCER	1	
8	09169-06062	WASHER	1	
9	09116-06202	BOLT (6X25)	1	
10	13116-94J00	CAP, INLET MANIFOLD	1	
11	13831-89L00	CUSHION, AIR INLET PIPE	1	
12	09320-09052	CUSHION	2	



FIG.26

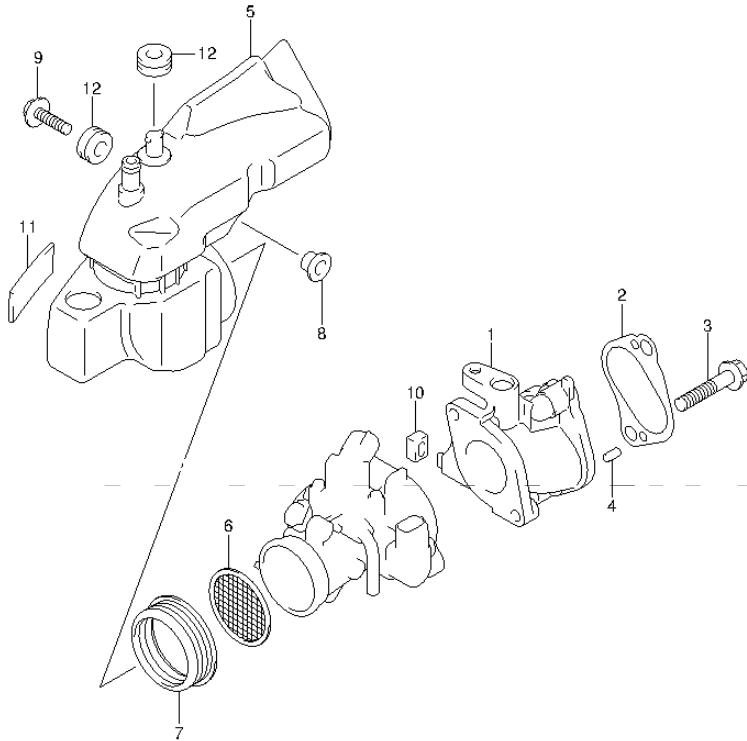


FIG.26 (1-C-13) INLET MANIFOLD (DF20ATH P01)

REF NO.	PART NO.	DESCRIPTION	Q'TY	REMARKS
1	13111-89L00	MANIFOLD, INLET	1	
2	13119-89L00	GASKET, INLET MANIFOLD	1	
3	01550-08407	BOLT	2	
4	04221-05109	PIN	2	
5	13811-89L00	SILENCER	1	
6	13710-89L00	ARRESTER, FLAME	1	
7	13832-89L00	SEAL, SILENCER	1	
8	09169-06062	WASHER	1	
9	09116-06202	BOLT (6X25)	1	
10	13116-94J00	CAP, INLET MANIFOLD	1	
11	13831-89L00	CUSHION, AIR INLET PIPE	1	
12	09320-09052	CUSHION	2	



FIG.27

FIG.27 (1-C-14) FUEL INJECTOR

REF NO.	PART NO.	DESCRIPTION	Q'TY	REMARKS
1	15681-89L00	HOSE, FUEL(PUMP TO DLVY)	1	
2	15710-89L00	INJECTOR ASSY, FUEL	2	
3	15716-65DT0	.GROMMET SET, FUEL INJECTOR	2	
4	15734-89L00	SPACER, DELIVERY PIPE	1	
5	15735-89L00	INSULATOR, DELIVERY PIPE	1	
6	15751-89L00	PIPE, DELIVERY	1	
7	09320-08062	CUSHION	2	
8	09401-11425	CLIP	2	
9	01550-06507	BOLT	2	

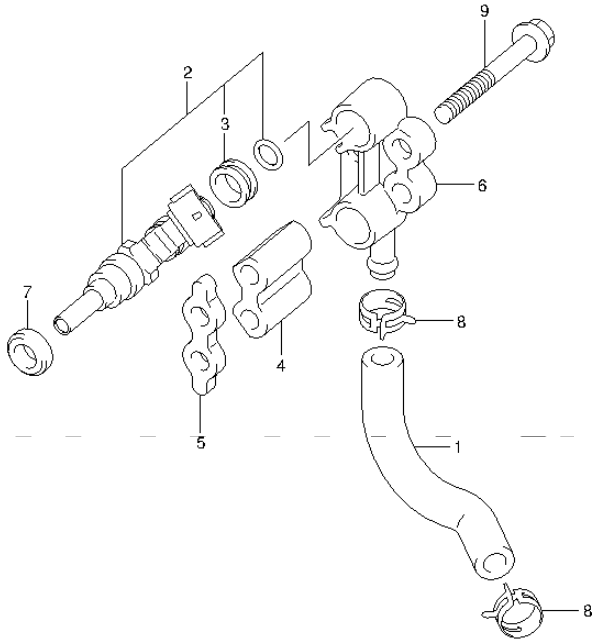


FIG.28

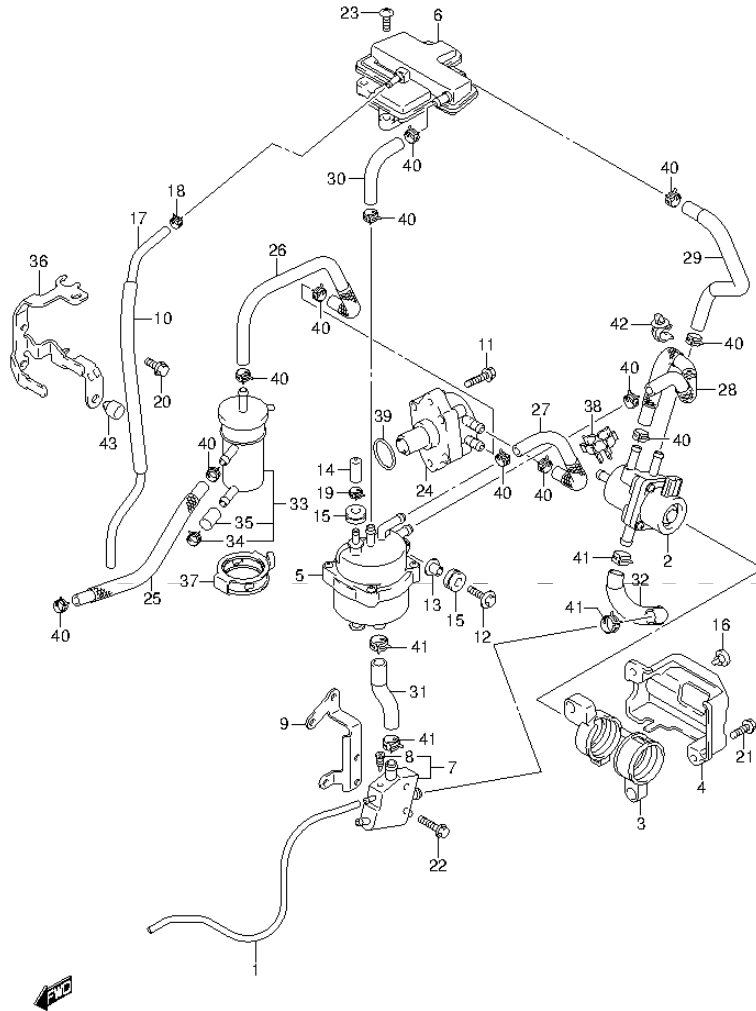


FIG.28 (1-C-15) FUEL PUMP

REF NO.	PART NO.	DESCRIPTION	Q'TY	REMARKS
1	13684-89L00	HOSE, DRAIN	1	
2	15200-89L00	PUMP ASSY, FUEL (H)	1	
3	15217-89L00	CUSHION, FUEL PUMP (H)	1	
4	15218-89L00	BRACKET, FUEL PUMP (H)	1	
5	15600-89L00	SEPARATOR ASSY, FUEL VAPOR	1	
6	15690-89L00	CHAMBER, EVAPORATION	1	
7	15770-89L00	COOLER, FUEL	1	
8	15629-89L00	.SCREW, FUEL DRAIN	1	
9	15790-89L00	BRACKET, FUEL COOLER	1	
10	18498-87JC0	PROTECTOR (L:450)	1	L:450->200
11	01550-06257	BOLT	2	
12	09116-06202	BOLT (6X25)	1	
13	09169-06062	WASHER	1	
14	09251-05006	CAP	1	
15	09320-09052	CUSHION	3	
16	09321-08022	CUSHION	1	
17	09352-50823-600	HOSE (5X8.2X600)	1	L:600->420
18	09401-08412	CLIP	1	
19	09401-10412	CLIP	1	
20	01550-06167	BOLT	2	
21	01550-06207	BOLT	2	
22	01550-06257	BOLT	2	
23	03542-06209	SCREW	3	
24	15100-89L00	PUMP ASSY, FUEL (L)	1	
25	15191-89L00	HOSE, FUEL (CONN TO FILTER)	1	
26	15192-89L00	HOSE, FUEL (FILTER TO PUMP(L))	1	
27	15192-89L10	HOSE, FUEL (PUMP (L) TO SEP)	1	
28	15192-89L20	HOSE, FUEL (PUMP (H) TO SEP)	1	
29	15192-89L30	HOSE, FUEL (PUMP (H) TO 3WAY)	1	
30	15192-89L40	HOSE, FUEL (SEPARATOR TO EVAP)	1	
31	15193-89L00	HOSE, FUEL (SEPARATOR TO COOLER)	1	
32	15194-89L00	HOSE, FUEL (COOLER TO PUMP(H))	1	

FIG.28

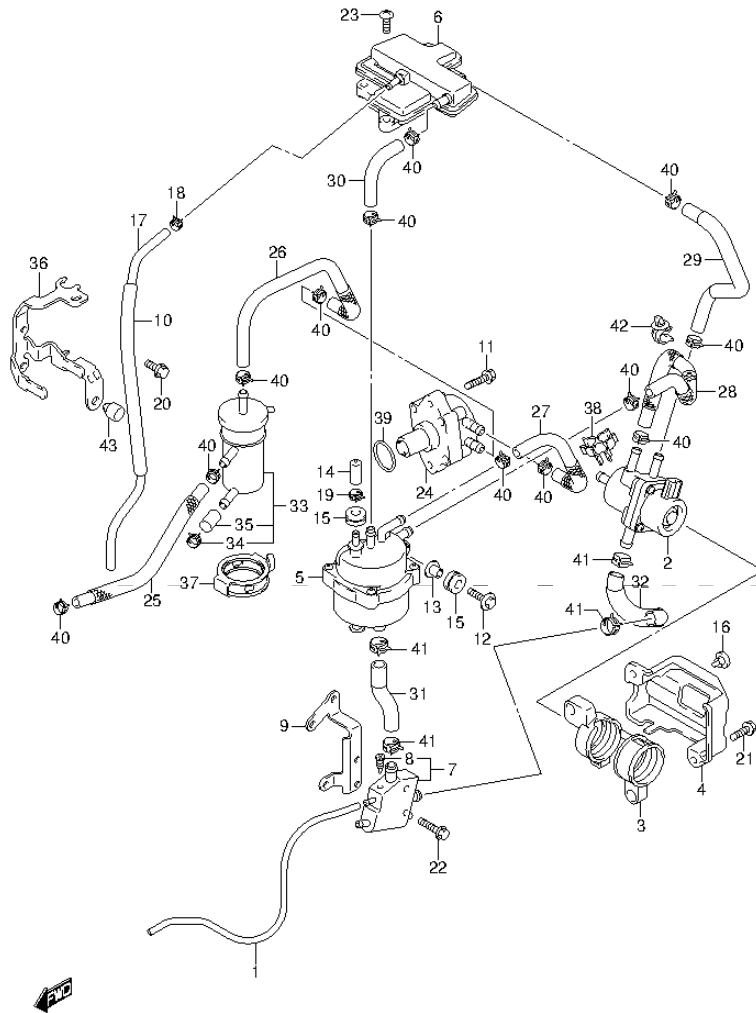


FIG.28 (1-D-2) FUEL PUMP

REF NO.	PART NO.	DESCRIPTION	Q'TY	REMARKS
33	15410-87L00	FILTER, FUEL (L)	1	
34	09401-11423	.CLIP	1	
35	15419-87J00	.CAP, FUEL FILTER	1	
36	15421-89L01	BRACKET, FUEL FILTER	1	
37	15422-89L00	CLAMP, FUEL FILTER	1	
38	15685-89L00	CLAMP, FUEL HOSE	1	
39	09280-26005	O RING (D:2.4, ID:26.2)	1	
40	09401-11423	CLIP	12	
41	09401-13423	CLIP	4	
42	09403-11320	CLAMP	2	
43	61151-91J11	CUSHION, FUEL FILTER BRACKET	1	

FIG.29

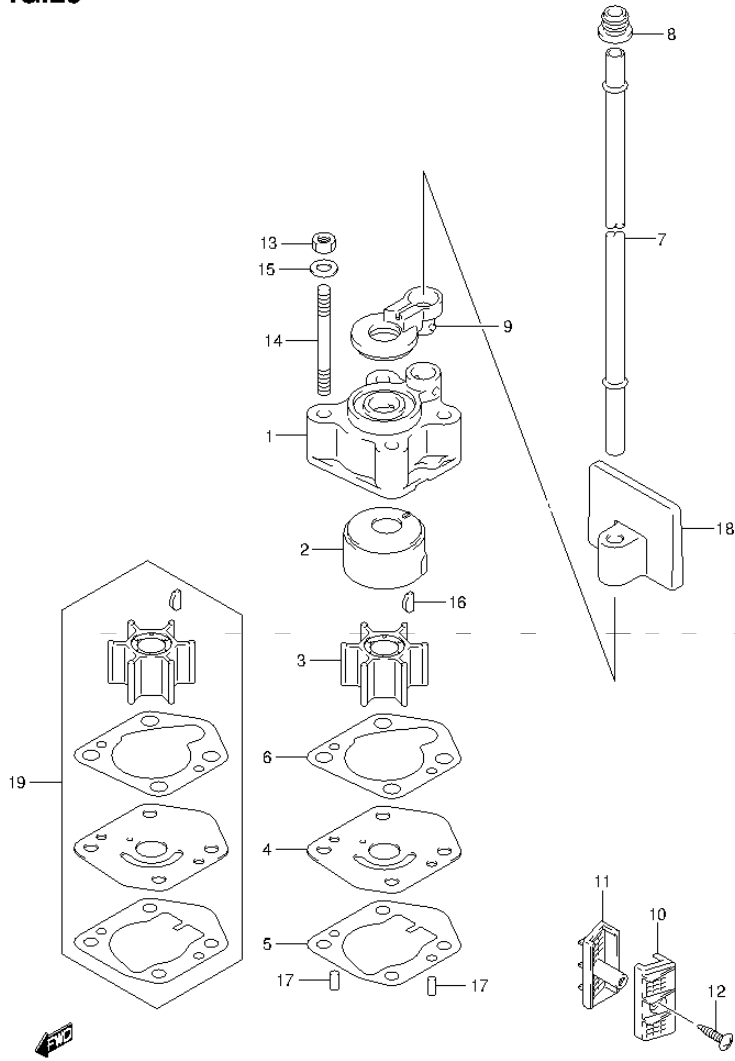


FIG.29 (1-D-3) WATER PUMP (DF9.9B P01)

REF NO.	PART NO.	DESCRIPTION	Q'TY	REMARKS
1	17411-94J00	CASE, WATER PUMP	1	
2	17413-94J00	SLEEVE, WATER PUMP CASE	1	
3	17461-939M0	IMPELLER, WATER PUMP	1	
4	17471-99J00	PANEL, PUMP CASE UNDER	1	
5	17472-99J00	GASKET, PUMP CASE PANEL	1	
6	17473-94J00	GASKET, WATER PUMP CASE	1	
7-1	17561-99J00	TUBE, WATER (S)	1	W/TRANSOM(S)
7-2	17561-99J10	TUBE, WATER (L)	1	W/TRANSOM(L)
8	17563-94J00	BUSH, WATER TUBE MIDDLE	1	
9	17564-99J00	BUSH, WATER PUMP CASE	1	
10	17631-99J20	FILTER, WATER PORT SIDE	1	
11	17632-99J30	FILTER, WATER STBD SIDE	1	
12	03142-04169	SCREW	1	
13	29141-93J00	NUT, WATER PUMP CASE	4	
14	09108-06141	STUD BOLT	4	
15	09160-06082	WASHER (6.5X13X1.0)	4	
16	09420-03005	KEY	1	
17	09202-04008	PIN (D:4,L:9)	2	
18	17565-99J00	GUIDE, WATER TUBE	1	
19	17400-99J00	KIT, WATER PUMP REPAIR	1	OPT

FIG.30

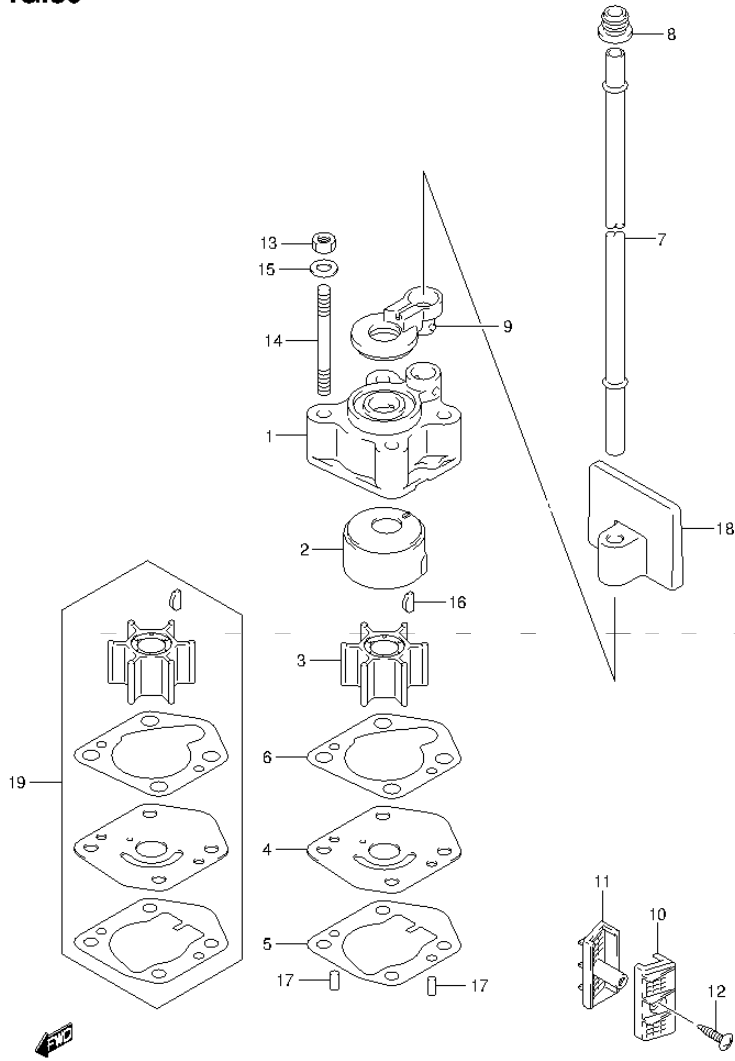


FIG.30 (1-D-4) WATER PUMP (DF9.9BR P01)

REF NO.	PART NO.	DESCRIPTION	Q'TY	REMARKS
1	17411-94J00	CASE, WATER PUMP	1	
2	17413-94J00	SLEEVE, WATER PUMP CASE	1	
3	17461-939M0	IMPELLER, WATER PUMP	1	
4	17471-99J00	PANEL, PUMP CASE UNDER	1	
5	17472-99J00	GASKET, PUMP CASE PANEL	1	
6	17473-94J00	GASKET, WATER PUMP CASE	1	
7-1	17561-99J00	TUBE, WATER (S)	1	W/TRANSOM(S)
7-2	17561-99J10	TUBE, WATER (L)	1	W/TRANSOM(L)
8	17563-94J00	BUSH, WATER TUBE MIDDLE	1	
9	17564-99J00	BUSH, WATER PUMP CASE	1	
10	17631-99J20	FILTER, WATER PORT SIDE	1	
11	17632-99J30	FILTER, WATER STBD SIDE	1	
12	03142-04169	SCREW	1	
13	29141-93J00	NUT, WATER PUMP CASE	4	
14	09108-06141	STUD BOLT	4	
15	09160-06082	WASHER (6.5X13X1.0)	4	
16	09420-03005	KEY	1	
17	09202-04008	PIN (D:4,L:9)	2	
18	17565-99J00	GUIDE, WATER TUBE	1	
19	17400-99J00	KIT, WATER PUMP REPAIR	1	OPT

FIG.31

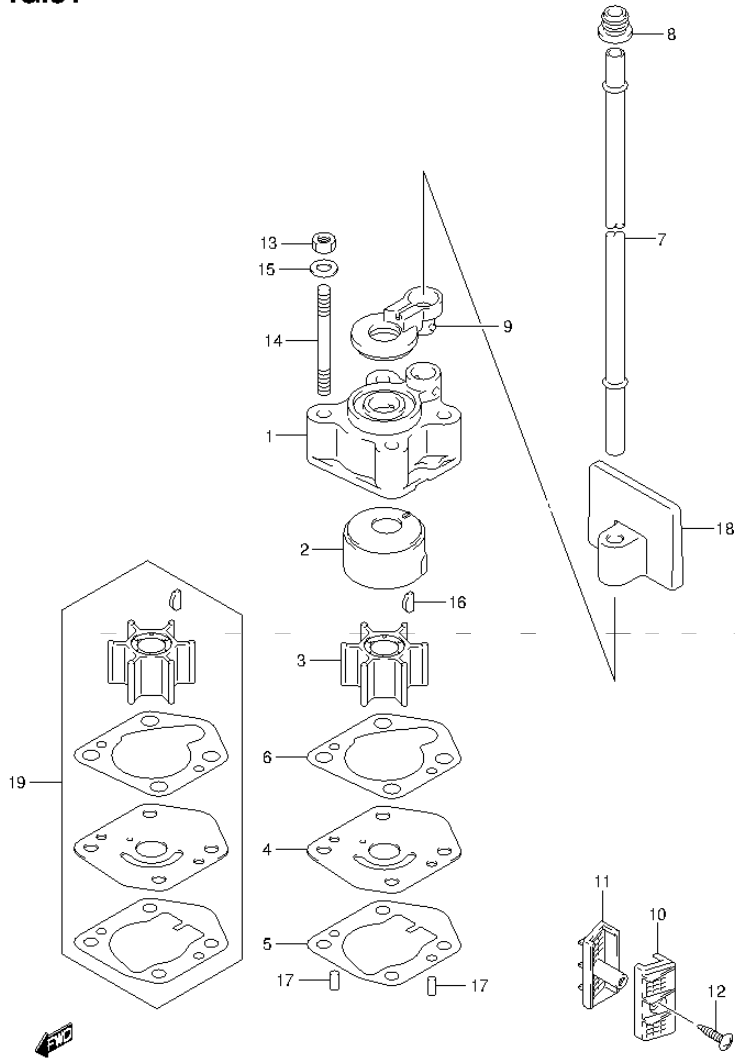


FIG.31 (1-D-5) WATER PUMP (DF9.9BT P01)

REF NO.	PART NO.	DESCRIPTION	Q'TY	REMARKS
1	17411-94J00	CASE, WATER PUMP	1	
2	17413-94J00	SLEEVE, WATER PUMP CASE	1	
3	17461-939M0	IMPELLER, WATER PUMP	1	
4	17471-99J00	PANEL, PUMP CASE UNDER	1	
5	17472-99J00	GASKET, PUMP CASE PANEL	1	
6	17473-94J00	GASKET, WATER PUMP CASE	1	
7-1	17561-99J00	TUBE, WATER (S)	1	W/TRANSOM(S)
7-2	17561-99J10	TUBE, WATER (L)	1	W/TRANSOM(L)
8	17563-94J00	BUSH, WATER TUBE MIDDLE	1	
9	17564-99J00	BUSH, WATER PUMP CASE	1	
10	17631-99J20	FILTER, WATER PORT SIDE	1	
11	17632-99J30	FILTER, WATER STBD SIDE	1	
12	03142-04169	SCREW	1	
13	29141-93J00	NUT, WATER PUMP CASE	4	
14	09108-06141	STUD BOLT	4	
15	09160-06082	WASHER (6.5X13X1.0)	4	
16	09420-03005	KEY	1	
17	09202-04008	PIN (D:4,L:9)	2	
18	17565-99J00	GUIDE, WATER TUBE	1	
19	17400-99J00	KIT, WATER PUMP REPAIR	1	OPT

FIG.32

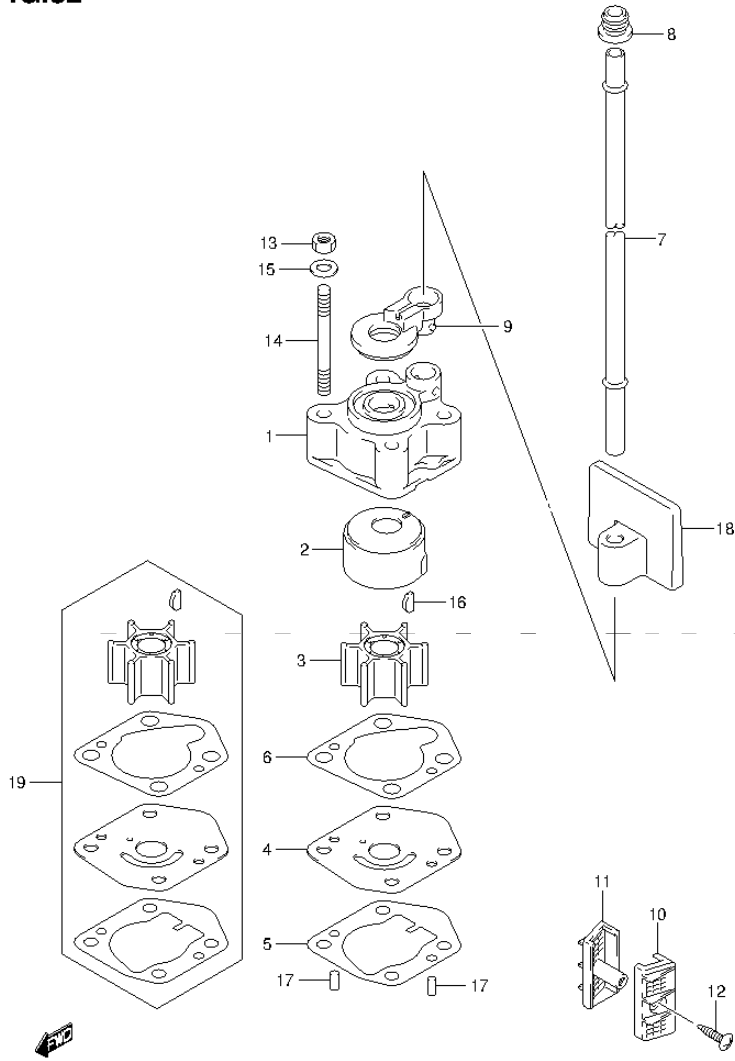


FIG.32 (1-D-6) WATER PUMP (DF15A P01)

REF NO.	PART NO.	DESCRIPTION	Q'TY	REMARKS
1	17411-94J00	CASE, WATER PUMP	1	
2	17413-94J00	SLEEVE, WATER PUMP CASE	1	
3	17461-939M0	IMPELLER, WATER PUMP	1	
4	17471-99J00	PANEL, PUMP CASE UNDER	1	
5	17472-99J00	GASKET, PUMP CASE PANEL	1	
6	17473-94J00	GASKET, WATER PUMP CASE	1	
7-1	17561-99J00	TUBE, WATER (S)	1	W/TRANSOM(S)
7-2	17561-99J10	TUBE, WATER (L)	1	W/TRANSOM(L)
8	17563-94J00	BUSH, WATER TUBE MIDDLE	1	
9	17564-99J00	BUSH, WATER PUMP CASE	1	
10	17631-99J20	FILTER, WATER PORT SIDE	1	
11	17632-99J30	FILTER, WATER STBD SIDE	1	
12	03142-04169	SCREW	1	
13	29141-93J00	NUT, WATER PUMP CASE	4	
14	09108-06141	STUD BOLT	4	
15	09160-06082	WASHER (6.5X13X1.0)	4	
16	09420-03005	KEY	1	
17	09202-04008	PIN (D:4,L:9)	2	
18	17565-99J00	GUIDE, WATER TUBE	1	
19	17400-99J00	KIT, WATER PUMP REPAIR	1	OPT

FIG.33

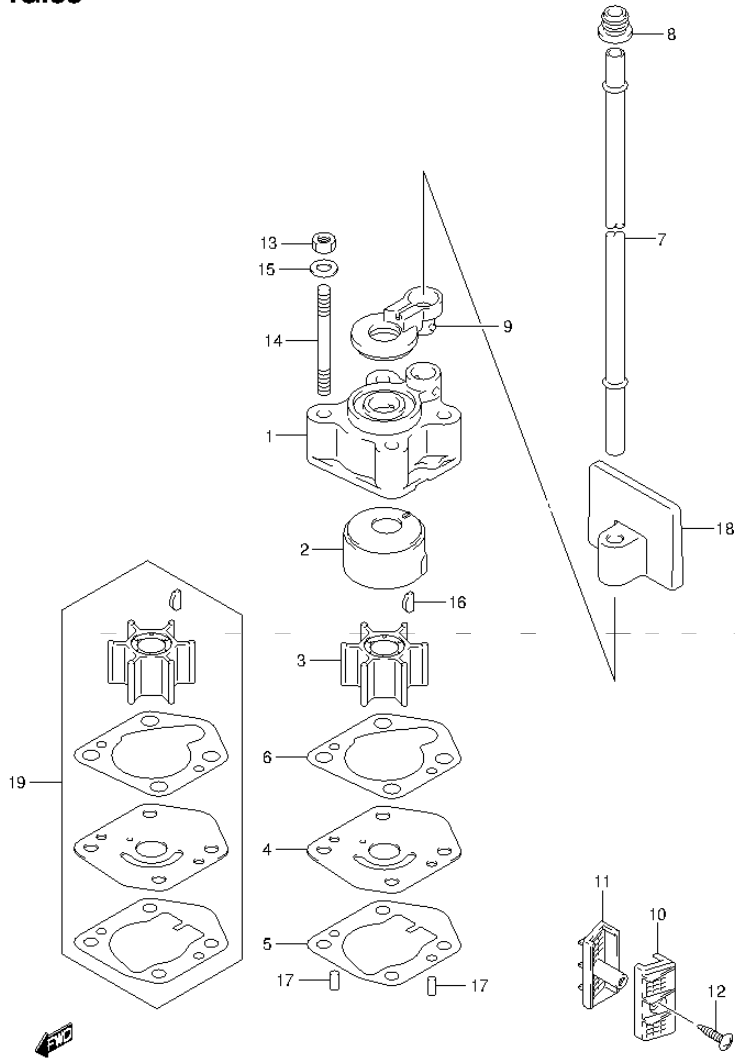


FIG.33 (1-D-7) WATER PUMP (DF15AR P01)

REF NO.	PART NO.	DESCRIPTION	Q'TY	REMARKS
1	17411-94J00	CASE, WATER PUMP	1	
2	17413-94J00	SLEEVE, WATER PUMP CASE	1	
3	17461-939M0	IMPELLER, WATER PUMP	1	
4	17471-99J00	PANEL, PUMP CASE UNDER	1	
5	17472-99J00	GASKET, PUMP CASE PANEL	1	
6	17473-94J00	GASKET, WATER PUMP CASE	1	
7-1	17561-99J00	TUBE, WATER (S)	1	W/TRANSOM(S)
7-2	17561-99J10	TUBE, WATER (L)	1	W/TRANSOM(L)
8	17563-94J00	BUSH, WATER TUBE MIDDLE	1	
9	17564-99J00	BUSH, WATER PUMP CASE	1	
10	17631-99J20	FILTER, WATER PORT SIDE	1	
11	17632-99J30	FILTER, WATER STBD SIDE	1	
12	03142-04169	SCREW	1	
13	29141-93J00	NUT, WATER PUMP CASE	4	
14	09108-06141	STUD BOLT	4	
15	09160-06082	WASHER (6.5X13X1.0)	4	
16	09420-03005	KEY	1	
17	09202-04008	PIN (D:4,L:9)	2	
18	17565-99J00	GUIDE, WATER TUBE	1	
19	17400-99J00	KIT, WATER PUMP REPAIR	1	OPT

FIG.34

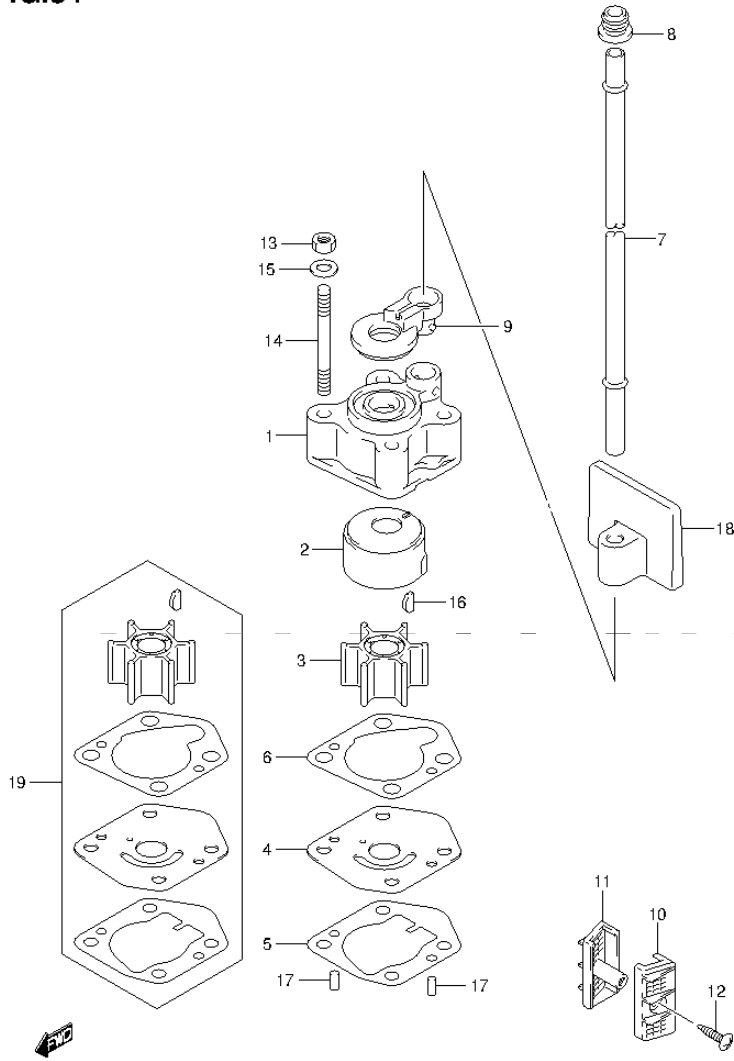


FIG.34 (1-D-8) WATER PUMP (DF15ATH P01)

REF NO.	PART NO.	DESCRIPTION	Q'TY	REMARKS
1	17411-94J00	CASE, WATER PUMP	1	
2	17413-94J00	SLEEVE, WATER PUMP CASE	1	
3	17461-939M0	IMPELLER, WATER PUMP	1	
4	17471-99J00	PANEL, PUMP CASE UNDER	1	
5	17472-99J00	GASKET, PUMP CASE PANEL	1	
6	17473-94J00	GASKET, WATER PUMP CASE	1	
7-1	17561-99J00	TUBE, WATER (S)	1	W/TRANSOM(S)
7-2	17561-99J10	TUBE, WATER (L)	1	W/TRANSOM(L)
8	17563-94J00	BUSH, WATER TUBE MIDDLE	1	
9	17564-99J00	BUSH, WATER PUMP CASE	1	
10	17631-99J20	FILTER, WATER PORT SIDE	1	
11	17632-99J30	FILTER, WATER STBD SIDE	1	
12	03142-04169	SCREW	1	
13	29141-93J00	NUT, WATER PUMP CASE	4	
14	09108-06141	STUD BOLT	4	
15	09160-06082	WASHER (6.5X13X1.0)	4	
16	09420-03005	KEY	1	
17	09202-04008	PIN (D:4,L:9)	2	
18	17565-99J00	GUIDE, WATER TUBE	1	
19	17400-99J00	KIT, WATER PUMP REPAIR	1	OPT

FIG.35

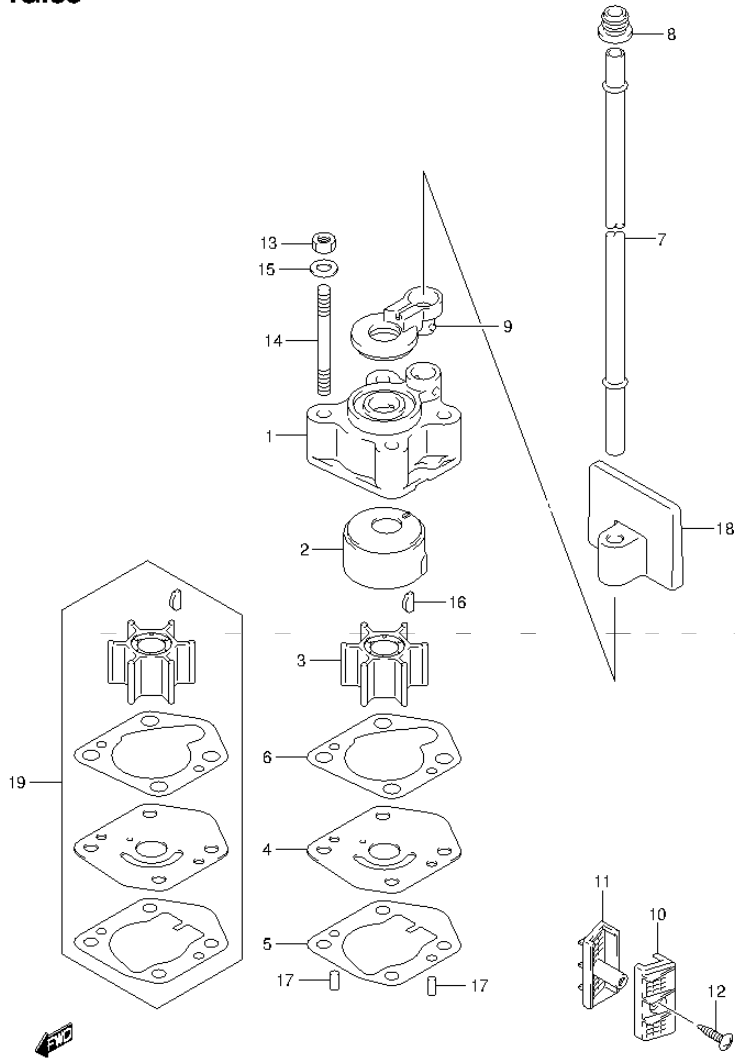


FIG.35 (1-D-9) WATER PUMP (DF20A P01)

REF NO.	PART NO.	DESCRIPTION	Q'TY	REMARKS
1	17411-94J00	CASE, WATER PUMP	1	
2	17413-94J00	SLEEVE, WATER PUMP CASE	1	
3	17461-939M0	IMPELLER, WATER PUMP	1	
4	17471-99J00	PANEL, PUMP CASE UNDER	1	
5	17472-99J00	GASKET, PUMP CASE PANEL	1	
6	17473-94J00	GASKET, WATER PUMP CASE	1	
7-1	17561-99J00	TUBE, WATER (S)	1	W/TRANSOM(S)
7-2	17561-99J10	TUBE, WATER (L)	1	W/TRANSOM(L)
8	17563-94J00	BUSH, WATER TUBE MIDDLE	1	
9	17564-99J00	BUSH, WATER PUMP CASE	1	
10	17631-99J20	FILTER, WATER PORT SIDE	1	
11	17632-99J30	FILTER, WATER STBD SIDE	1	
12	03142-04169	SCREW	1	
13	29141-93J00	NUT, WATER PUMP CASE	4	
14	09108-06141	STUD BOLT	4	
15	09160-06082	WASHER (6.5X13X1.0)	4	
16	09420-03005	KEY	1	
17	09202-04008	PIN (D:4,L:9)	2	
18	17565-99J00	GUIDE, WATER TUBE	1	
19	17400-99J00	KIT, WATER PUMP REPAIR	1	OPT

FIG.36

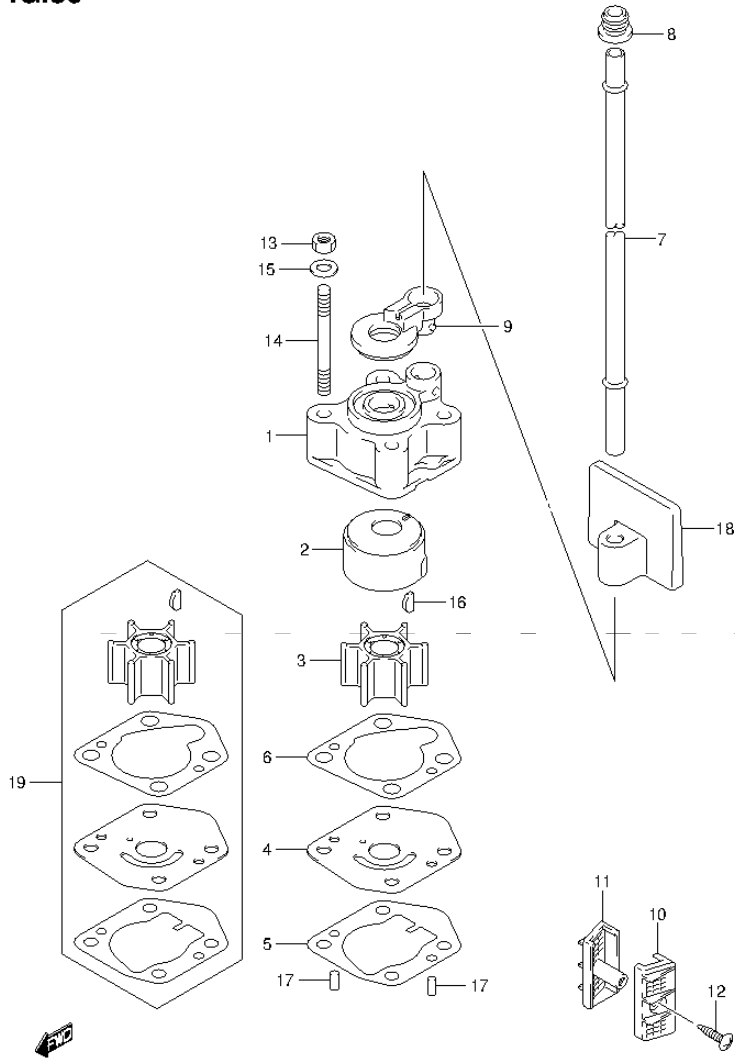


FIG.36 (1-D-10) WATER PUMP (DF20A P40)

REF NO.	PART NO.	DESCRIPTION	Q'TY	REMARKS
1	17411-94J00	CASE, WATER PUMP	1	
2	17413-94J10	SLEEVE, WATER PUMP CASE	1	
3	17461-939M0	IMPELLER, WATER PUMP	1	
4	17471-99J10	PANEL, PUMP CASE UNDER	1	
5	17472-99J00	GASKET, PUMP CASE PANEL	1	
6	17473-94J00	GASKET, WATER PUMP CASE	1	
7-1	17561-99J00	TUBE, WATER (S)	1	W/TRANSOM(S)
7-2	17561-99J10	TUBE, WATER (L)	1	W/TRANSOM(L)
8	17563-94J00	BUSH, WATER TUBE MIDDLE	1	
9	17564-99J00	BUSH, WATER PUMP CASE	1	
10	17631-99J20	FILTER, WATER PORT SIDE	1	
11	17632-99J30	FILTER, WATER STBD SIDE	1	
12	03142-04169	SCREW	1	
13	29141-93J00	NUT, WATER PUMP CASE	4	
14	09108-06141	STUD BOLT	4	
15	09160-06082	WASHER (6.5X13X1.0)	4	
16	09420-03005	KEY	1	
17	09202-04008	PIN (D:4,L:9)	2	
18	17565-99J00	GUIDE, WATER TUBE	1	
19	17400-99J10	KIT, WATER PUMP REPAIR	1	OPT

FIG.37

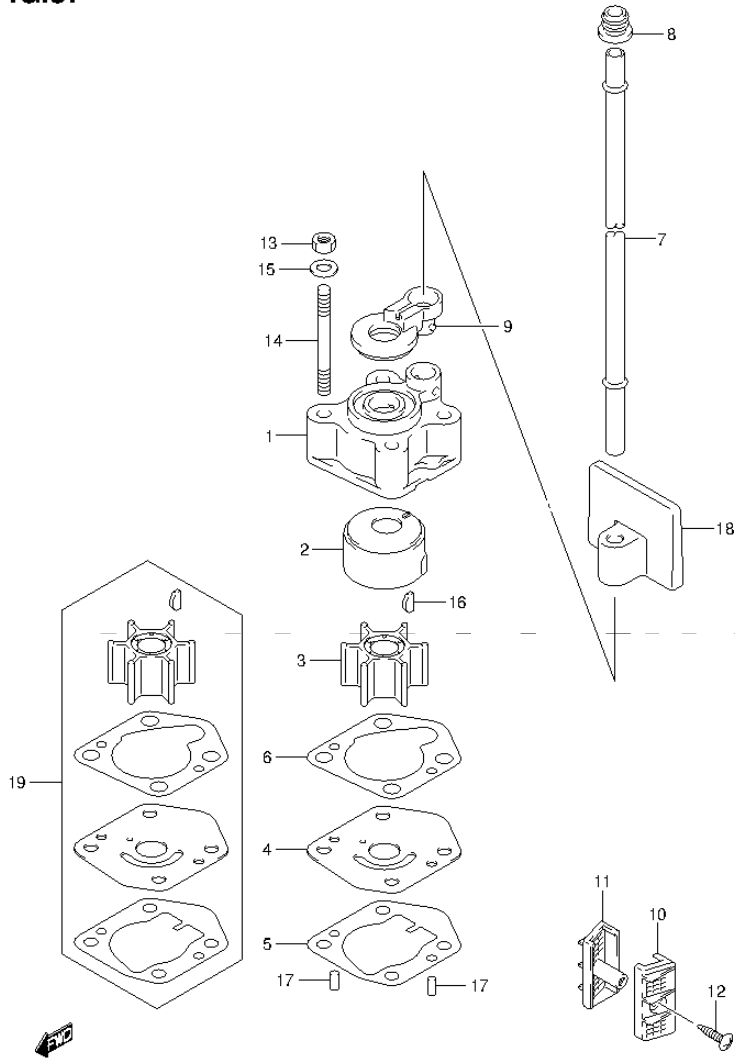


FIG.37 (1-D-11) WATER PUMP (DF20AR P01)

REF NO.	PART NO.	DESCRIPTION	Q'TY	REMARKS
1	17411-94J00	CASE, WATER PUMP	1	
2	17413-94J00	SLEEVE, WATER PUMP CASE	1	
3	17461-939M0	IMPELLER, WATER PUMP	1	
4	17471-99J00	PANEL, PUMP CASE UNDER	1	
5	17472-99J00	GASKET, PUMP CASE PANEL	1	
6	17473-94J00	GASKET, WATER PUMP CASE	1	
7-1	17561-99J00	TUBE, WATER (S)	1	W/TRANSOM(S)
7-2	17561-99J10	TUBE, WATER (L)	1	W/TRANSOM(L)
8	17563-94J00	BUSH, WATER TUBE MIDDLE	1	
9	17564-99J00	BUSH, WATER PUMP CASE	1	
10	17631-99J20	FILTER, WATER PORT SIDE	1	
11	17632-99J30	FILTER, WATER STBD SIDE	1	
12	03142-04169	SCREW	1	
13	29141-93J00	NUT, WATER PUMP CASE	4	
14	09108-06141	STUD BOLT	4	
15	09160-06082	WASHER (6.5X13X1.0)	4	
16	09420-03005	KEY	1	
17	09202-04008	PIN (D:4,L:9)	2	
18	17565-99J00	GUIDE, WATER TUBE	1	
19	17400-99J00	KIT, WATER PUMP REPAIR	1	OPT

FIG.38

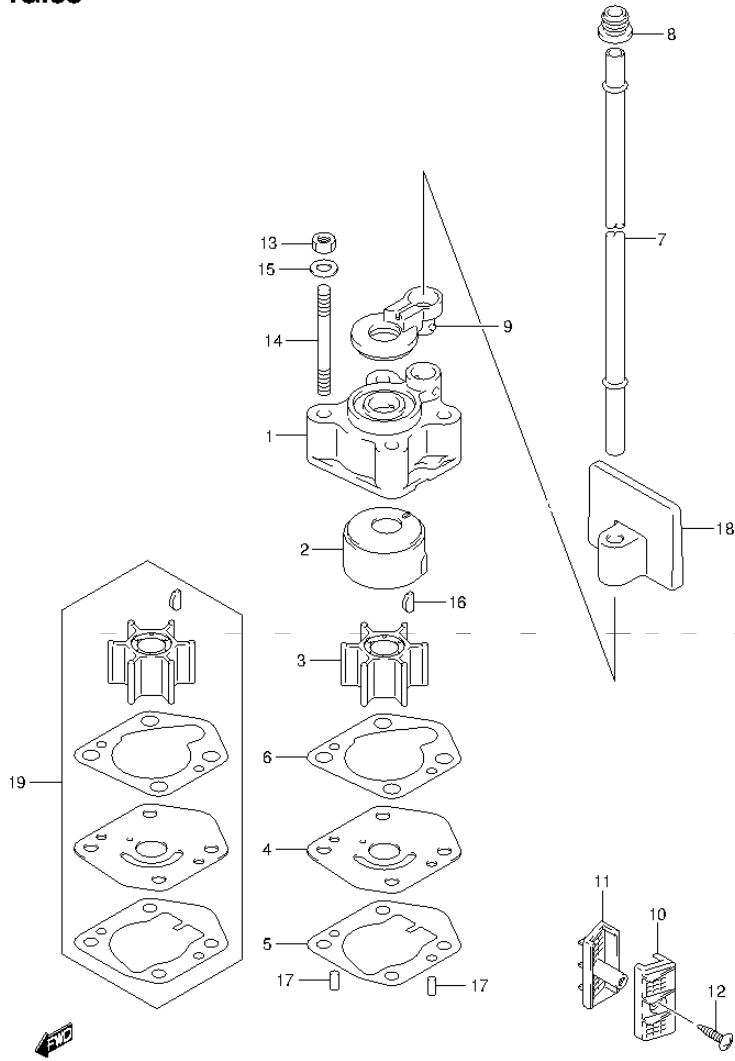


FIG.38 (1-D-12) WATER PUMP (DF20AT P01)

REF NO.	PART NO.	DESCRIPTION	Q'TY	REMARKS
1	17411-94J00	CASE, WATER PUMP	1	
2	17413-94J00	SLEEVE, WATER PUMP CASE	1	
3	17461-939M0	IMPELLER, WATER PUMP	1	
4	17471-99J00	PANEL, PUMP CASE UNDER	1	
5	17472-99J00	GASKET, PUMP CASE PANEL	1	
6	17473-94J00	GASKET, WATER PUMP CASE	1	
7-1	17561-99J00	TUBE, WATER (S)	1	W/TRANSOM(S)
7-2	17561-99J10	TUBE, WATER (L)	1	W/TRANSOM(L)
8	17563-94J00	BUSH, WATER TUBE MIDDLE	1	
9	17564-99J00	BUSH, WATER PUMP CASE	1	
10	17631-99J20	FILTER, WATER PORT SIDE	1	
11	17632-99J30	FILTER, WATER STBD SIDE	1	
12	03142-04169	SCREW	1	
13	29141-93J00	NUT, WATER PUMP CASE	4	
14	09108-06141	STUD BOLT	4	
15	09160-06082	WASHER (6.5X13X1.0)	4	
16	09420-03005	KEY	1	
17	09202-04008	PIN (D:4,L:9)	2	
18	17565-99J00	GUIDE, WATER TUBE	1	
19	17400-99J00	KIT, WATER PUMP REPAIR	1	OPT

FIG.39

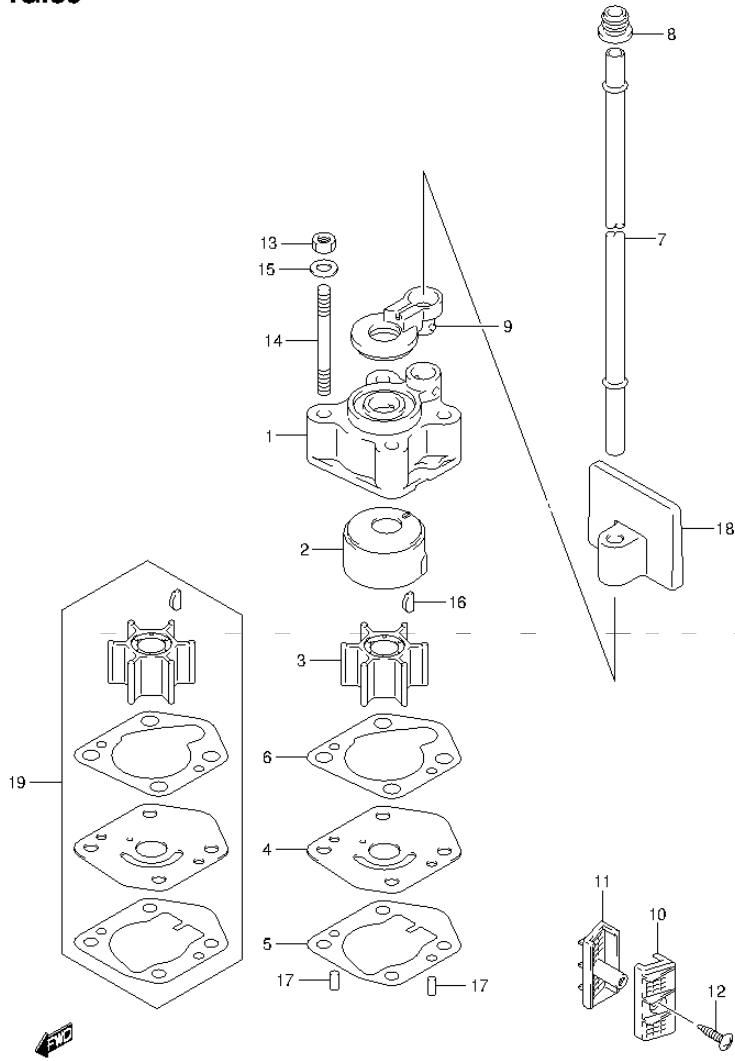


FIG.39 (1-D-13) WATER PUMP (DF20ATH P01)

REF NO.	PART NO.	DESCRIPTION	Q'TY	REMARKS
1	17411-94J00	CASE, WATER PUMP	1	
2	17413-94J00	SLEEVE, WATER PUMP CASE	1	
3	17461-939M0	IMPELLER, WATER PUMP	1	
4	17471-99J00	PANEL, PUMP CASE UNDER	1	
5	17472-99J00	GASKET, PUMP CASE PANEL	1	
6	17473-94J00	GASKET, WATER PUMP CASE	1	
7-1	17561-99J00	TUBE, WATER (S)	1	W/TRANSOM(S)
7-2	17561-99J10	TUBE, WATER (L)	1	W/TRANSOM(L)
8	17563-94J00	BUSH, WATER TUBE MIDDLE	1	
9	17564-99J00	BUSH, WATER PUMP CASE	1	
10	17631-99J20	FILTER, WATER PORT SIDE	1	
11	17632-99J30	FILTER, WATER STBD SIDE	1	
12	03142-04169	SCREW	1	
13	29141-93J00	NUT, WATER PUMP CASE	4	
14	09108-06141	STUD BOLT	4	
15	09160-06082	WASHER (6.5X13X1.0)	4	
16	09420-03005	KEY	1	
17	09202-04008	PIN (D:4,L:9)	2	
18	17565-99J00	GUIDE, WATER TUBE	1	
19	17400-99J00	KIT, WATER PUMP REPAIR	1	OPT

FIG.40

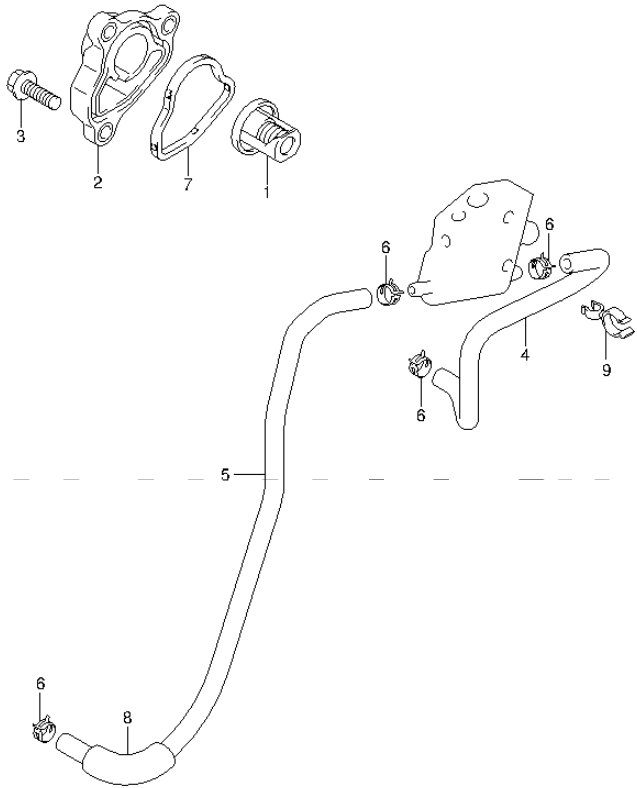


FIG.40 (1-D-14) THERMOSTAT

REF NO.	PART NO.	DESCRIPTION	Q'TY	REMARKS
1	17670-91J00	THERMOSTAT (50C)	1	
2	17680-89L00	COVER, THERMOSTAT	1	
3	01550-06207	BOLT	3	
4	17712-89L10	HOSE, WATER (COOLER TO HOUSING)	1	
5	17712-89L00	HOSE, WATER (HOUSING TO COOLER)	1	
6	09401-08413	CLIP	4	
7	17685-89L00	SEAL, THERMOSTAT COVER	1	
8	18498-94J20	PROTECTOR,FUEL HOSE (L:320)	1	L:320->50
9	09408-00070	CLAMP	1	



FIG.41

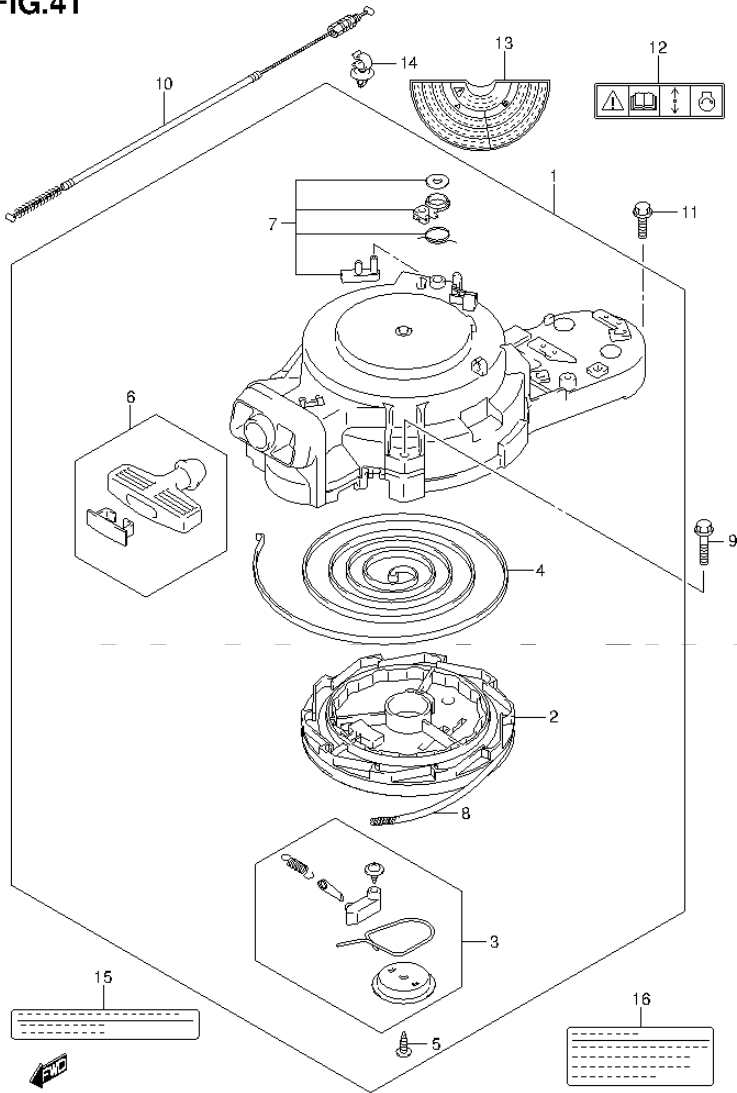


FIG.41 (1-D-15) RECOIL STARTER (DF9.9B P01)

REF NO.	PART NO.	DESCRIPTION	Q'TY	REMARKS
1	18100-94JM0	STARTER ASSY, RECOIL	1	
2	18121-94JL0	.REEL	1	
3	18130-93E01	.RATCHET SET	1	
4	18142-93E00	.SPRING, SPIRAL	1	
5	18132-89L00	.SCREW, TAPPING	1	
6	18210-93002	.GRIP ASSY	1	
7	18280-93E00	.NSI SET	1	
8	99000-81158-50M	ROPE	1	OPT L:50000->1200
9	01550-06307	BOLT	3	
10	18290-94J01	CABLE ASSY, NSI	1	
11	01550-06207	BOLT	1	
12	69711-93E10	LABEL (S.I.G.P.)	1	
13	61472-94J10	LABEL, RECOIL STARTER	1	
14	09403-12415	CLAMP	1	
15	61493-94J00	LABEL, CLEARANCE	1	
16	61494-94J00	LABEL, OIL	1	

FIG.42

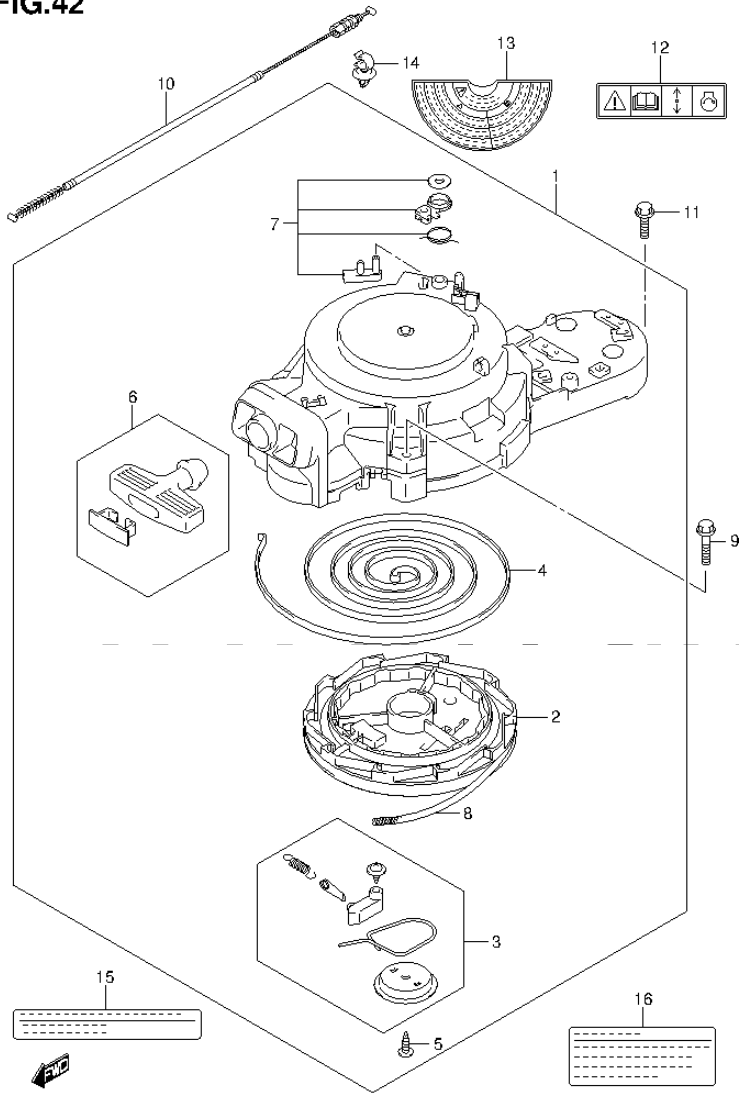


FIG.42 (1-E-2) RECOIL STARTER (DF9.9BR P01)

REF NO.	PART NO.	DESCRIPTION	Q'TY	REMARKS
1	18100-94JM0	STARTER ASSY, RECOIL	1	
2	18121-94JL0	.REEL	1	
3	18130-93E01	.RATCHET SET	1	
4	18142-93E00	.SPRING, SPIRAL	1	
5	18132-89L00	.SCREW, TAPPING	1	
6	18210-93002	.GRIP ASSY	1	
7	18280-93E00	.NSI SET	1	
8	99000-81158-50M	ROPE	1	OPT L:50000->1200
9	01550-06307	BOLT	3	
10	18290-94J01	CABLE ASSY, NSI	1	
11	01550-06207	BOLT	1	
12	69711-93E10	LABEL (S.I.G.P.)	1	
13	61472-94J10	LABEL, RECOIL STARTER	1	
14	09403-12415	CLAMP	1	
15	61493-94J00	LABEL, CLEARANCE	1	
16	61494-94J00	LABEL, OIL	1	

FIG.43

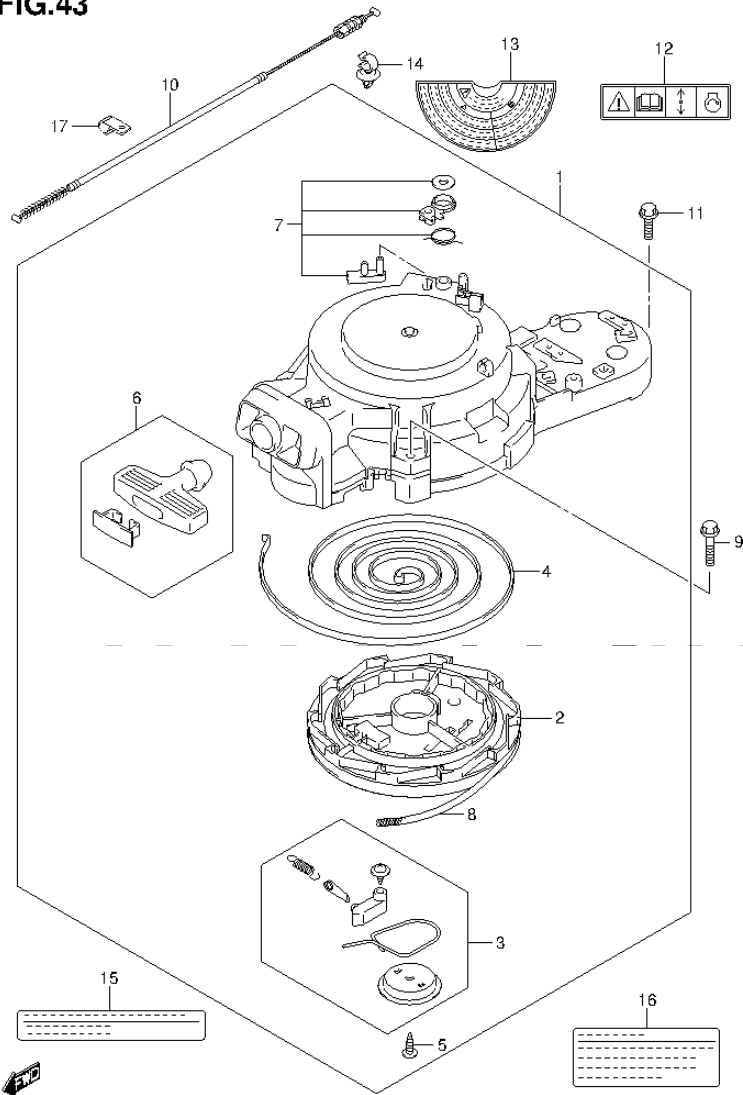


FIG.43 (1-E-3) RECOIL STARTER (DF9.9BT P01)

REF NO.	PART NO.	DESCRIPTION	Q'TY	REMARKS
1	18100-94JM0	STARTER ASSY, RECOIL	1	
2	18121-94JL0	.REEL	1	
3	18130-93E01	.RATCHET SET	1	
4	18142-93E00	.SPRING, SPIRAL	1	
5	18132-89L00	.SCREW, TAPPING	1	
6	18210-93002	.GRIP ASSY	1	
7	18280-93E00	.NSI SET	1	
8	99000-81158-50M	ROPE	1	OPT L:50000->1200
9	01550-06307	BOLT	3	
10	18290-94J01	CABLE ASSY, NSI	1	
11	01550-06207	BOLT	1	
12	69711-93E10	LABEL (S.I.G.P.)	1	
13	61472-94J10	LABEL, RECOIL STARTER	1	
14	09403-12415	CLAMP	1	
15	61493-94J00	LABEL, CLEARANCE	1	
16	61494-94J00	LABEL, OIL	1	
17	09403-12406	CLAMP	1	

FIG.44

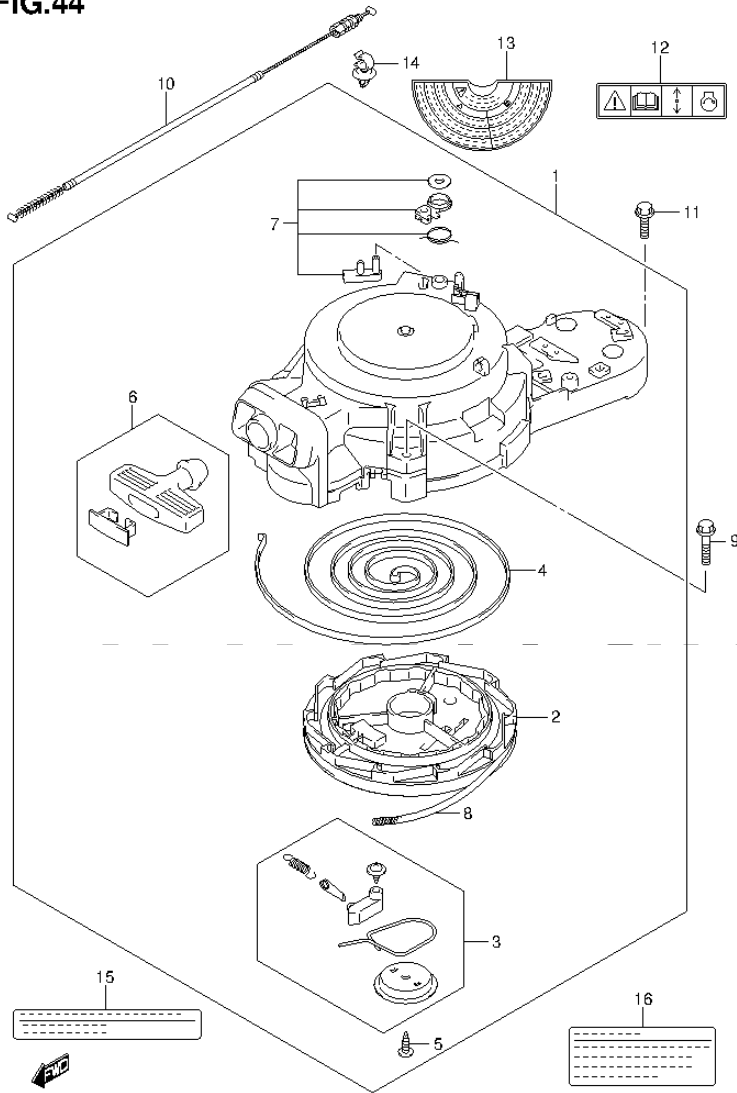


FIG.44 (1-E-4) RECOIL STARTER (DF15A P01)

REF NO.	PART NO.	DESCRIPTION	Q'TY	REMARKS
1	18100-94JM0	STARTER ASSY, RECOIL	1	
2	18121-94JL0	.REEL	1	
3	18130-93E01	.RATCHET SET	1	
4	18142-93E00	.SPRING, SPIRAL	1	
5	18132-89L00	.SCREW, TAPPING	1	
6	18210-93002	.GRIP ASSY	1	
7	18280-93E00	.NSI SET	1	
8	99000-81158-50M	ROPE	1	OPT L:50000->1200
9	01550-06307	BOLT	3	
10	18290-94J01	CABLE ASSY, NSI	1	
11	01550-06207	BOLT	1	
12	69711-93E10	LABEL (S.I.G.P.)	1	
13	61472-94J10	LABEL, RECOIL STARTER	1	
14	09403-12415	CLAMP	1	
15	61493-94J00	LABEL, CLEARANCE	1	
16	61494-94J00	LABEL, OIL	1	

FIG.45

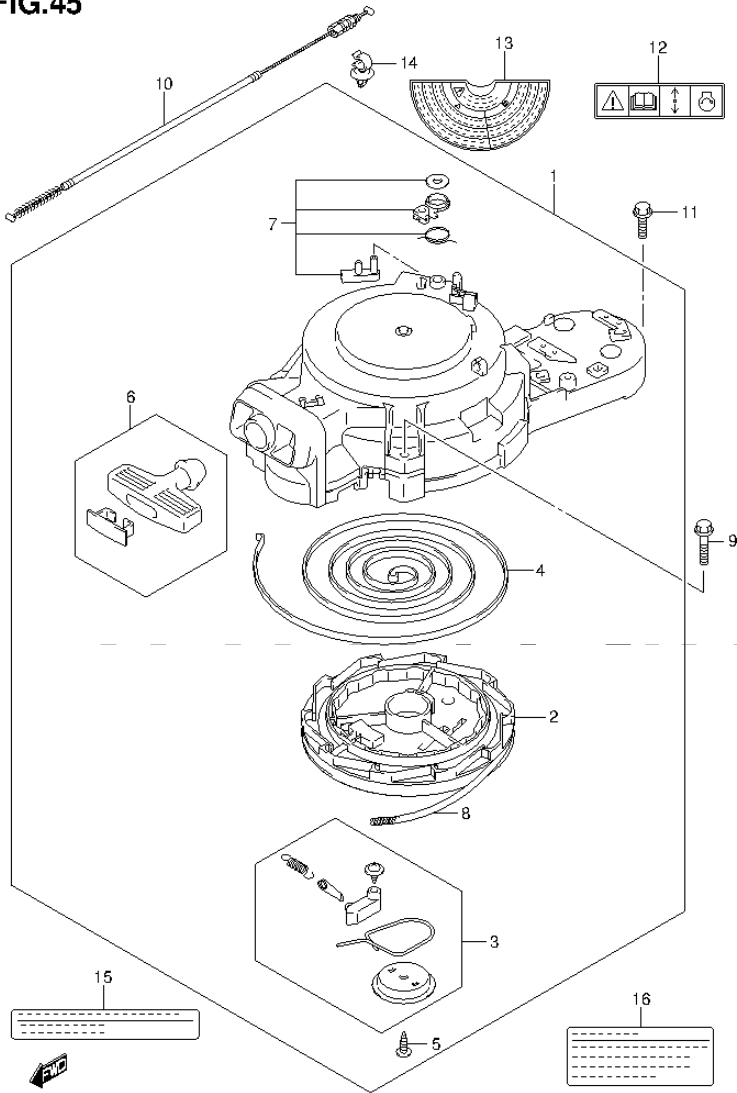


FIG.45 (1-E-5) RECOIL STARTER (DF15AR P01)

REF NO.	PART NO.	DESCRIPTION	Q'TY	REMARKS
1	18100-94JM0	STARTER ASSY, RECOIL	1	
2	18121-94JL0	.REEL	1	
3	18130-93E01	.RATCHET SET	1	
4	18142-93E00	.SPRING, SPIRAL	1	
5	18132-89L00	.SCREW, TAPPING	1	
6	18210-93002	.GRIP ASSY	1	
7	18280-93E00	.NSI SET	1	
8	99000-81158-50M	ROPE	1	OPT L:50000->1200
9	01550-06307	BOLT	3	
10	18290-94J01	CABLE ASSY, NSI	1	
11	01550-06207	BOLT	1	
12	69711-93E10	LABEL (S.I.G.P.)	1	
13	61472-94J10	LABEL, RECOIL STARTER	1	
14	09403-12415	CLAMP	1	
15	61493-94J00	LABEL, CLEARANCE	1	
16	61494-94J00	LABEL, OIL	1	

FIG.47

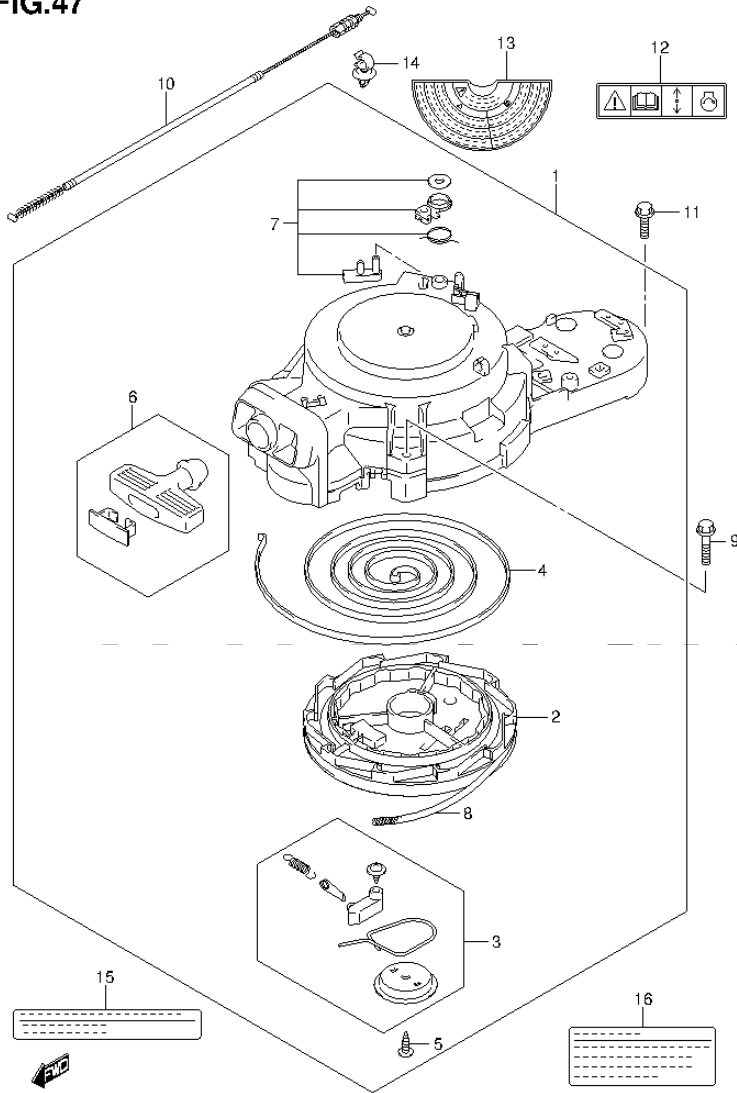


FIG.47 (1-E-7) RECOIL STARTER (DF20A P01)

REF NO.	PART NO.	DESCRIPTION	Q'TY	REMARKS
1	18100-94JM0	STARTER ASSY, RECOIL	1	
2	18121-94JL0	.REEL	1	
3	18130-93E01	.RATCHET SET	1	
4	18142-93E00	.SPRING, SPIRAL	1	
5	18132-89L00	.SCREW, TAPPING	1	
6	18210-93002	.GRIP ASSY	1	
7	18280-93E00	.NSI SET	1	
8	99000-81158-50M	ROPE	1	OPT L:50000->1200
9	01550-06307	BOLT	3	
10	18290-94J01	CABLE ASSY, NSI	1	
11	01550-06207	BOLT	1	
12	69711-93E10	LABEL (S.I.G.P.)	1	
13	61472-94J10	LABEL, RECOIL STARTER	1	
14	09403-12415	CLAMP	1	
15	61493-94J00	LABEL, CLEARANCE	1	
16	61494-94J00	LABEL, OIL	1	

FIG.48

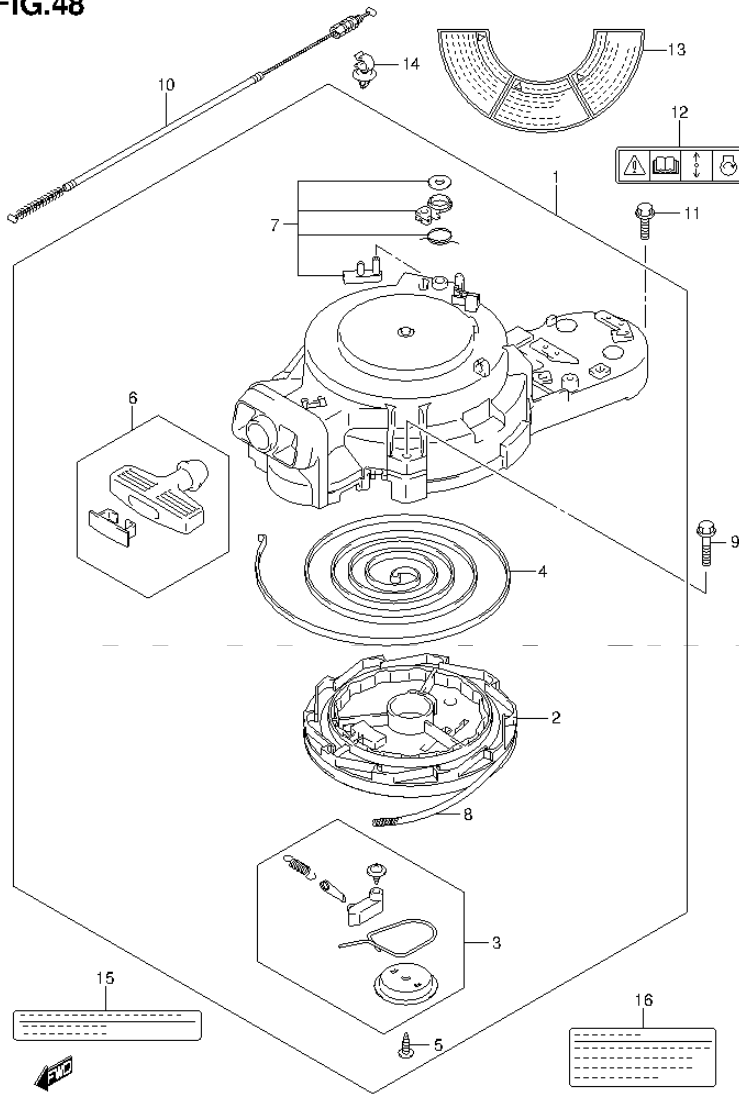


FIG.48 (1-E-8) RECOIL STARTER (DF20A P40)

REF NO.	PART NO.	DESCRIPTION	Q'TY	REMARKS
1	18100-94JM0	STARTER ASSY, RECOIL	1	
2	18121-94JL0	.REEL	1	
3	18130-93E01	.RATCHET SET	1	
4	18142-93E00	.SPRING, SPIRAL	1	
5	18132-89L00	.SCREW, TAPPING	1	
6	18210-93002	.GRIP ASSY	1	
7	18280-93E00	.NSI SET	1	
8	99000-81158-50M	ROPE	1	OPT L:50000->1200
9	01550-06307	BOLT	3	
10	18290-94J01	CABLE ASSY, NSI	1	
11	01550-06207	BOLT	1	
12	69711-93E10	LABEL (S.I.G.P.)	1	
13	61472-94J00	LABEL, RECOIL STARTER	1	
14	09403-12415	CLAMP	1	
15	61493-94J00	LABEL, CLEARANCE	1	
16	61494-94J00	LABEL, OIL	1	

FIG.49

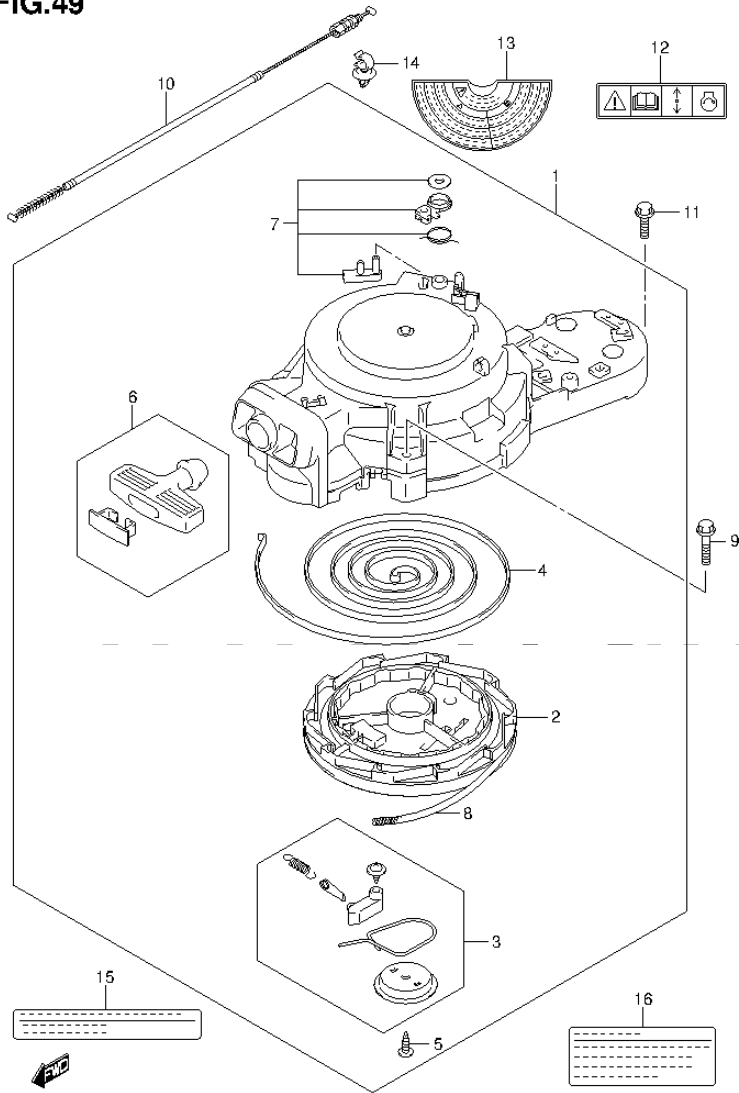


FIG.49 (1-E-9) RECOIL STARTER (DF20AR P01)

REF NO.	PART NO.	DESCRIPTION	Q'TY	REMARKS
1	18100-94JM0	STARTER ASSY, RECOIL	1	
2	18121-94JL0	.REEL	1	
3	18130-93E01	.RATCHET SET	1	
4	18142-93E00	.SPRING, SPIRAL	1	
5	18132-89L00	.SCREW, TAPPING	1	
6	18210-93002	.GRIP ASSY	1	
7	18280-93E00	.NSI SET	1	
8	99000-81158-50M	ROPE	1	OPT L:50000->1200
9	01550-06307	BOLT	3	
10	18290-94J01	CABLE ASSY, NSI	1	
11	01550-06207	BOLT	1	
12	69711-93E10	LABEL (S.I.G.P.)	1	
13	61472-94J10	LABEL, RECOIL STARTER	1	
14	09403-12415	CLAMP	1	
15	61493-94J00	LABEL, CLEARANCE	1	
16	61494-94J00	LABEL, OIL	1	

FIG.50

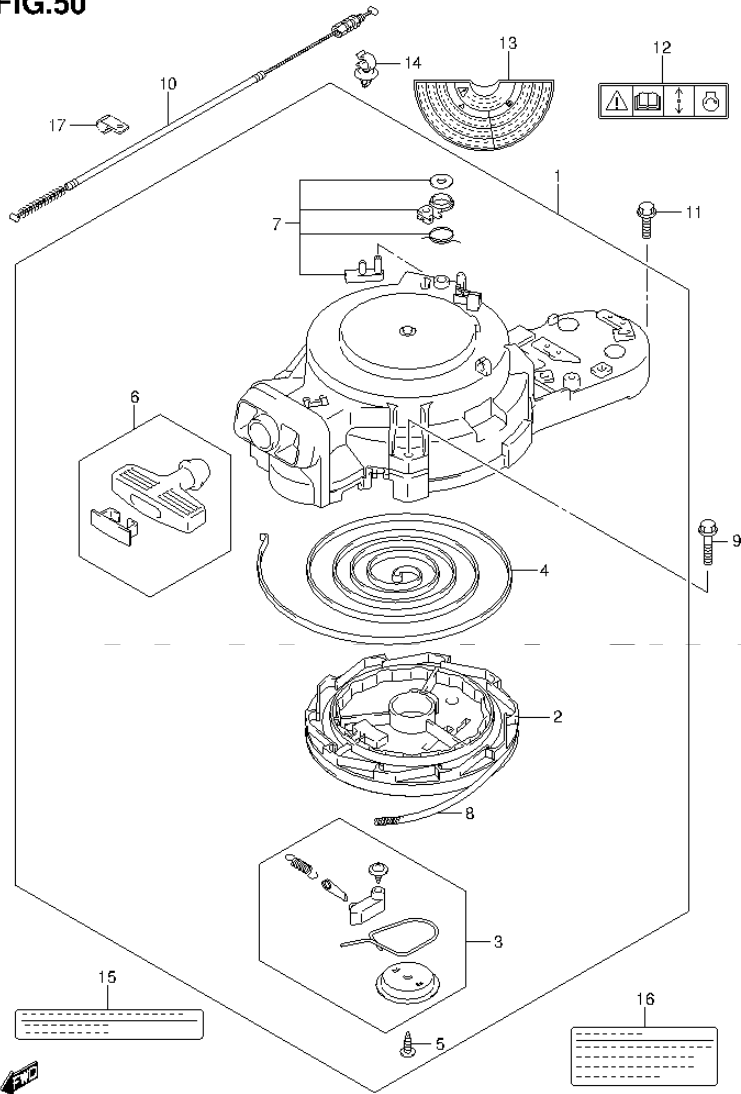


FIG.50 (1-E-10) RECOIL STARTER (DF20AT P01)

REF NO.	PART NO.	DESCRIPTION	Q'TY	REMARKS
1	18100-94JM0	STARTER ASSY, RECOIL	1	
2	18121-94JL0	.REEL	1	
3	18130-93E01	.RATCHET SET	1	
4	18142-93E00	.SPRING, SPIRAL	1	
5	18132-89L00	.SCREW, TAPPING	1	
6	18210-93002	.GRIP ASSY	1	
7	18280-93E00	.NSI SET	1	
8	99000-81158-50M	ROPE	1	OPT L:50000->1200
9	01550-06307	BOLT	3	
10	18290-94J01	CABLE ASSY, NSI	1	
11	01550-06207	BOLT	1	
12	69711-93E10	LABEL (S.I.G.P.)	1	
13	61472-94J10	LABEL, RECOIL STARTER	1	
14	09403-12415	CLAMP	1	
15	61493-94J00	LABEL, CLEARANCE	1	
16	61494-94J00	LABEL, OIL	1	
17	09403-12406	CLAMP	1	

FIG.51

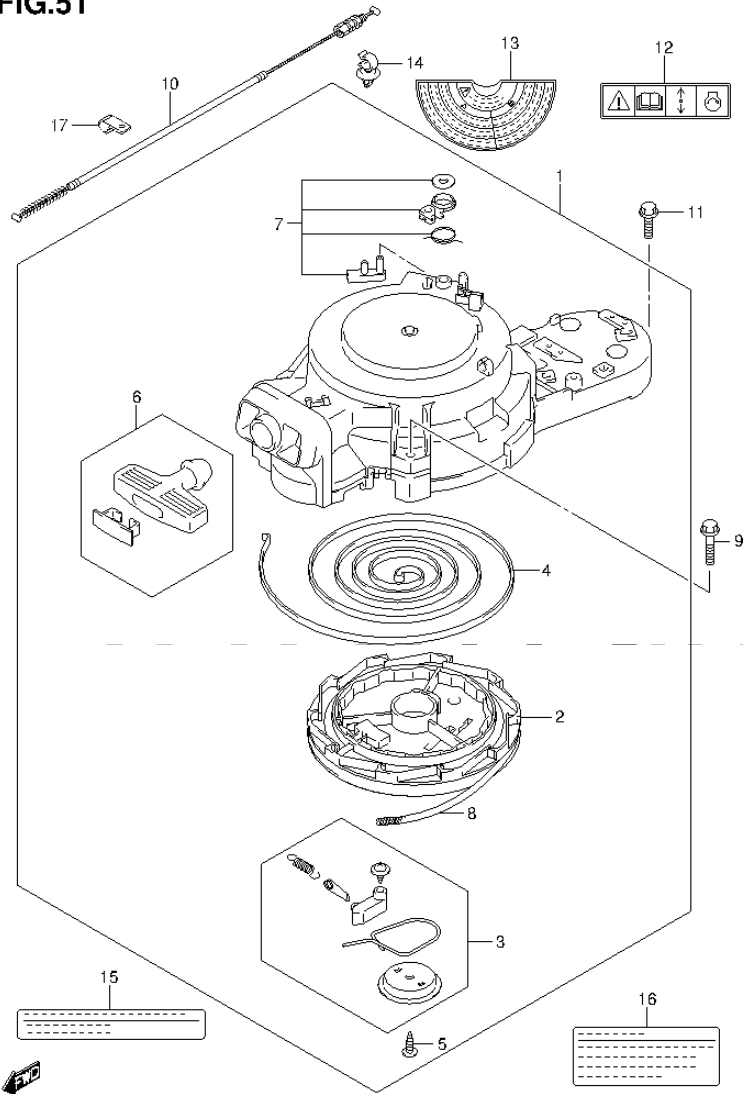


FIG.51 (1-E-11) RECOIL STARTER (DF20ATH P01)

REF NO.	PART NO.	DESCRIPTION	Q'TY	REMARKS
1	18100-94JM0	STARTER ASSY, RECOIL	1	
2	18121-94JL0	.REEL	1	
3	18130-93E01	.RATCHET SET	1	
4	18142-93E00	.SPRING, SPIRAL	1	
5	18132-89L00	.SCREW, TAPPING	1	
6	18210-93002	.GRIP ASSY	1	
7	18280-93E00	.NSI SET	1	
8	99000-81158-50M	ROPE	1	OPT L:50000->1200
9	01550-06307	BOLT	3	
10	18290-94J01	CABLE ASSY, NSI	1	
11	01550-06207	BOLT	1	
12	69711-93E10	LABEL (S.I.G.P.)	1	
13	61472-94J10	LABEL, RECOIL STARTER	1	
14	09403-12415	CLAMP	1	
15	61493-94J00	LABEL, CLEARANCE	1	
16	61494-94J00	LABEL, OIL	1	
17	09403-12406	CLAMP	1	

FIG.52

FIG.52 (1-E-12) THROTTLE CONTROL (DF9.9BR P01)

REF NO.	PART NO.	DESCRIPTION	Q'TY	REMARKS
1	13513-89L10	ROD, THROTTLE	1	
2	19120-99J10	LEVER, THROTTLE CONTROL	1	
3	19122-99J00	LEVER, INTERLINK THROTTLE NO.2	1	
4	19131-89L00	CONNECTOR	2	
5	19148-89L10	LEVER, INTERLINK THROTTLE NO.1	1	
6	19150-89L00	BRACKET, THROTTLE LEVER	1	
7	19185-99J00	SPRING, THROTTLE LEVER	1	
8	09160-06046	WASHER (6.5X20X1.5)	1	
9	01550-06127	BOLT	1	
10	01550-06167	BOLT	2	
11	67467-89J01	CONNECTOR	1	
12	09160-06055	WASHER (7X12X1)	1	
13	09385-06012	CLIP	1	

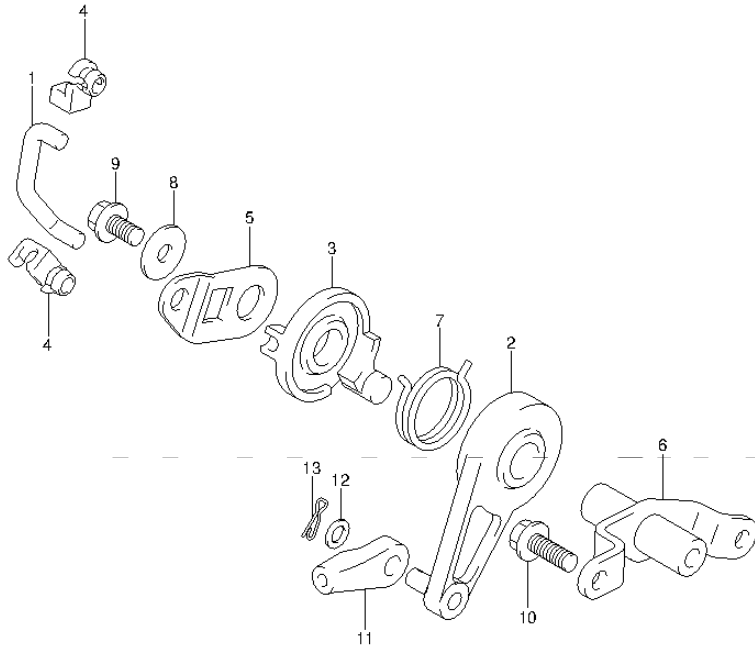


FIG.53

FIG.53 (1-E-13) THROTTLE CONTROL (DF9.9BT P01)

REF NO.	PART NO.	DESCRIPTION	Q'TY	REMARKS
1	13513-89L10	ROD, THROTTLE	1	
2	19120-99J10	LEVER, THROTTLE CONTROL	1	
3	19122-99J00	LEVER, INTERLINK THROTTLE NO.2	1	
4	19131-89L00	CONNECTOR	2	
5	19148-89L10	LEVER, INTERLINK THROTTLE NO.1	1	
6	19150-89L00	BRACKET, THROTTLE LEVER	1	
7	19185-99J00	SPRING, THROTTLE LEVER	1	
8	09160-06046	WASHER (6.5X20X1.5)	1	
9	01550-06127	BOLT	1	
10	01550-06167	BOLT	2	
11	67467-89J01	CONNECTOR	1	
12	09160-06055	WASHER (7X12X1)	1	
13	09385-06012	CLIP	1	

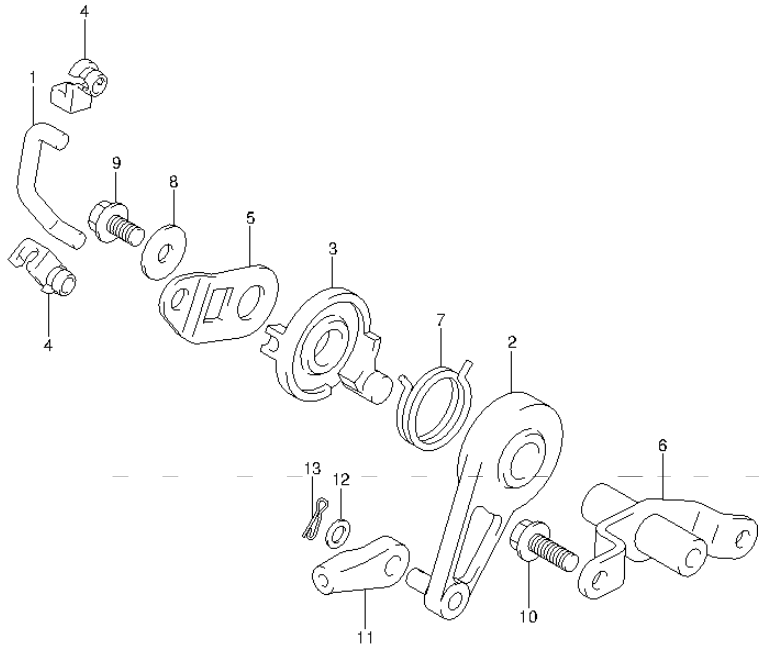


FIG.54

FIG.54 (1-E-14) THROTTLE CONTROL (DF15AR P01)

REF NO.	PART NO.	DESCRIPTION	Q'TY	REMARKS
1	13513-89L10	ROD, THROTTLE	1	
2	19120-99J10	LEVER, THROTTLE CONTROL	1	
3	19122-99J00	LEVER, INTERLINK THROTTLE NO.2	1	
4	19131-89L00	CONNECTOR	2	
5	19148-89L10	LEVER, INTERLINK THROTTLE NO.1	1	
6	19150-89L00	BRACKET, THROTTLE LEVER	1	
7	19185-99J00	SPRING, THROTTLE LEVER	1	
8	09160-06046	WASHER (6.5X20X1.5)	1	
9	01550-06127	BOLT	1	
10	01550-06167	BOLT	2	
11	67467-89J01	CONNECTOR	1	
12	09160-06055	WASHER (7X12X1)	1	
13	09385-06012	CLIP	1	

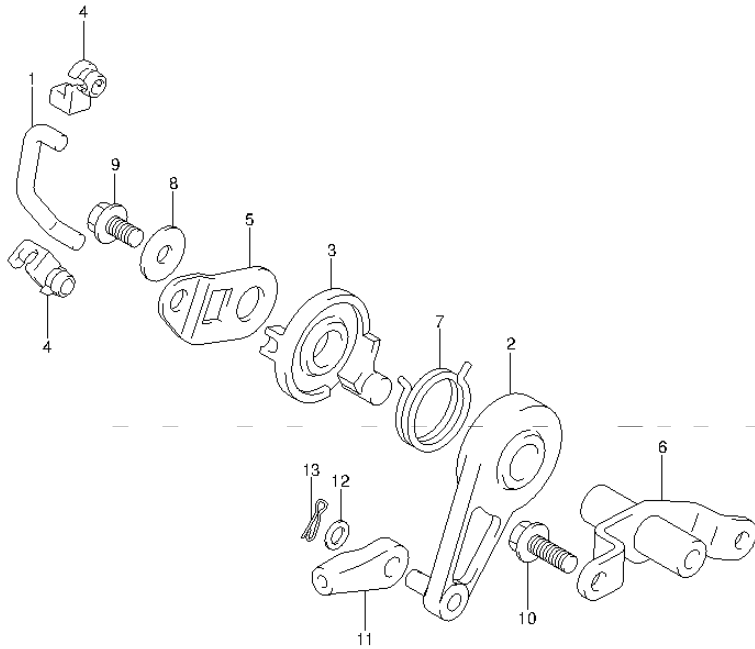


FIG.55

FIG.55 (1-E-15) THROTTLE CONTROL (DF20AR P01)

REF NO.	PART NO.	DESCRIPTION	Q'TY	REMARKS
1	13513-89L10	ROD, THROTTLE	1	
2	19120-99J10	LEVER, THROTTLE CONTROL	1	
3	19122-99J00	LEVER, INTERLINK THROTTLE NO.2	1	
4	19131-89L00	CONNECTOR	2	
5	19148-89L10	LEVER, INTERLINK THROTTLE NO.1	1	
6	19150-89L00	BRACKET, THROTTLE LEVER	1	
7	19185-99J00	SPRING, THROTTLE LEVER	1	
8	09160-06046	WASHER (6.5X20X1.5)	1	
9	01550-06127	BOLT	1	
10	01550-06167	BOLT	2	
11	67467-89J01	CONNECTOR	1	
12	09160-06055	WASHER (7X12X1)	1	
13	09385-06012	CLIP	1	

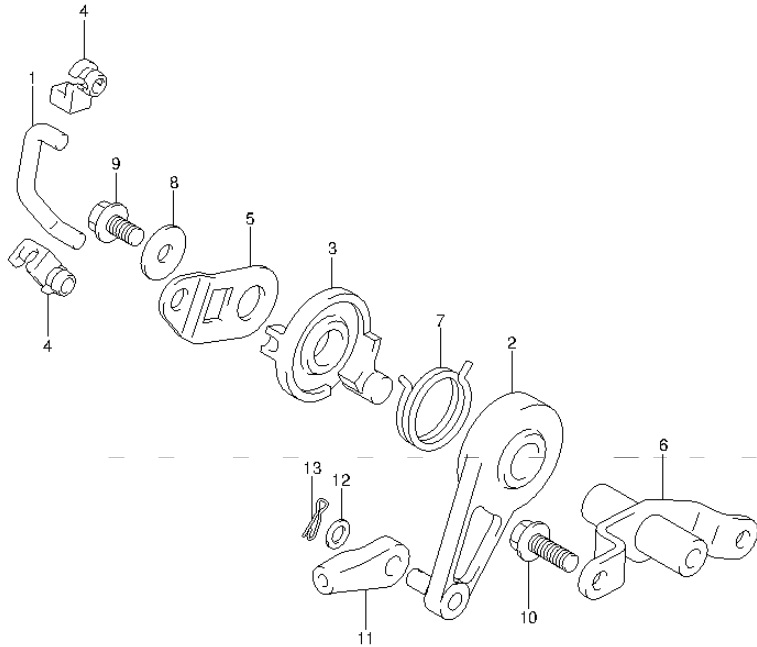


FIG.56

FIG.56 (1-F-2) THROTTLE CONTROL (DF20AT P01)

REF NO.	PART NO.	DESCRIPTION	Q'TY	REMARKS
1	13513-89L10	ROD, THROTTLE	1	
2	19120-99J10	LEVER, THROTTLE CONTROL	1	
3	19122-99J00	LEVER, INTERLINK THROTTLE NO.2	1	
4	19131-89L00	CONNECTOR	2	
5	19148-89L10	LEVER, INTERLINK THROTTLE NO.1	1	
6	19150-89L00	BRACKET, THROTTLE LEVER	1	
7	19185-99J00	SPRING, THROTTLE LEVER	1	
8	09160-06046	WASHER (6.5X20X1.5)	1	
9	01550-06127	BOLT	1	
10	01550-06167	BOLT	2	
11	67467-89J01	CONNECTOR	1	
12	09160-06055	WASHER (7X12X1)	1	
13	09385-06012	CLIP	1	

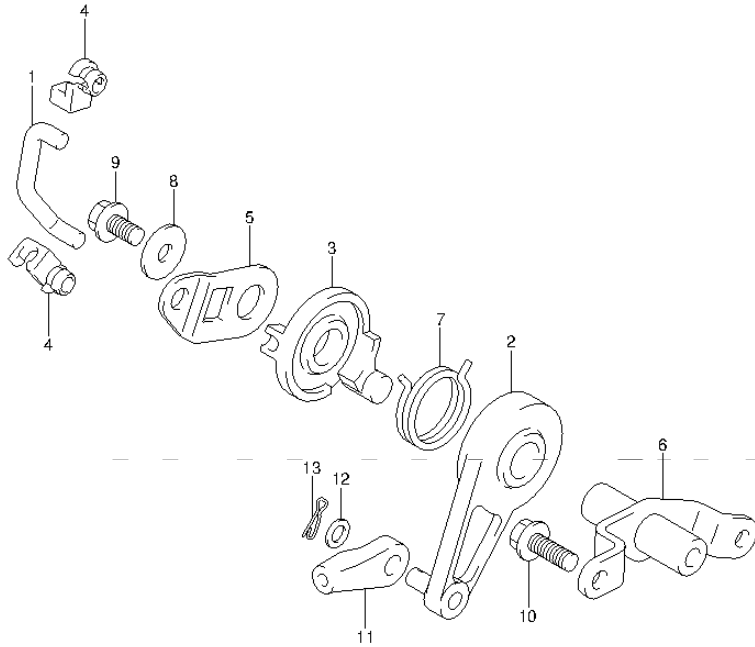


FIG.57

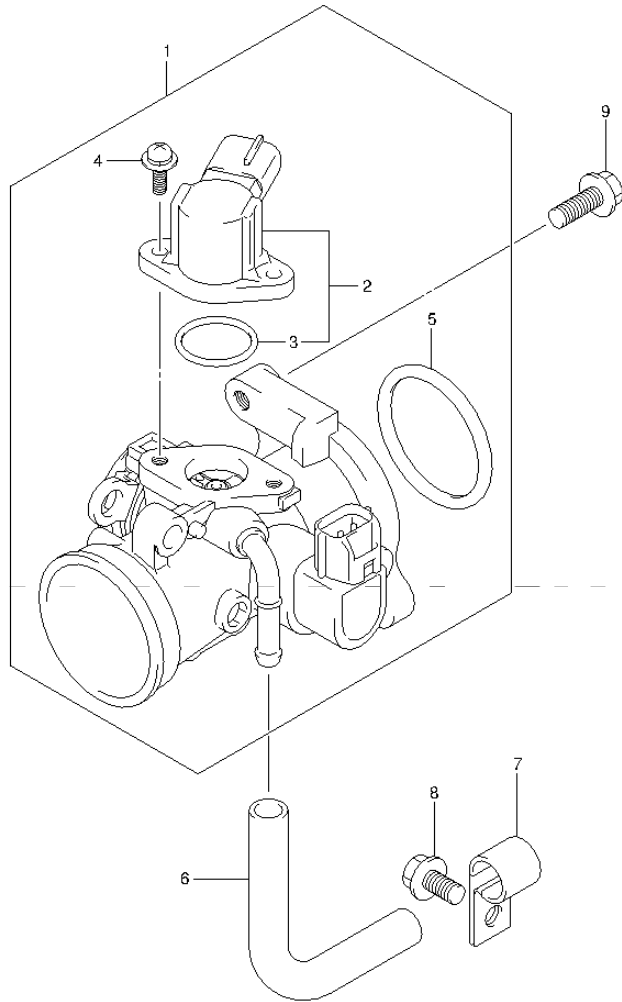


FIG.57 (1-F-3) THROTTLE BODY (DF9.9B P01)

REF NO.	PART NO.	DESCRIPTION	Q'TY	REMARKS
1	13300-89L00	BODY ASSY, THROTTLE	1	
2	13420-16HA0	.SOLENOID ASSY	1	
3	13425-33G00	..O RING	1	
4	13326-89L00	.SCREW	2	
5	13421-89L00	.O RING, FLANGE	1	
6	15211-91J00-130	HOSE, IAC	1	
7	09403-12406	CLAMP	1	
8	01550-06127	BOLT	1	
9	01550-06207	BOLT	2	

FIG.58

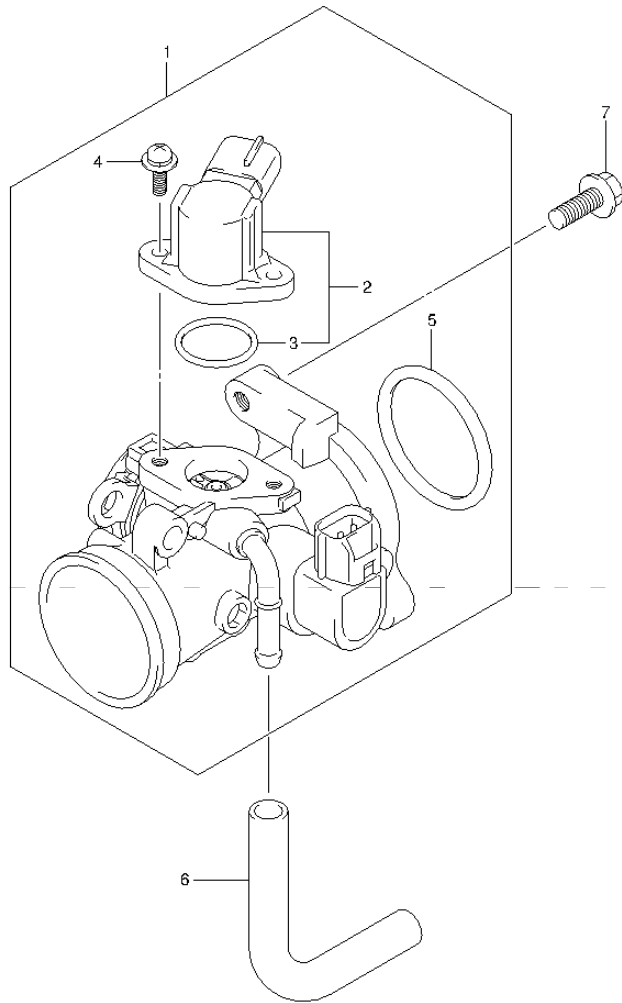


FIG.58 (1-F-4) THROTTLE BODY (DF9.9BR P01)

REF NO.	PART NO.	DESCRIPTION	Q'TY	REMARKS
1	13300-89L10	BODY ASSY, THROTTLE	1	
2	13420-16HA0	.SOLENOID ASSY	1	
3	13425-33G00	..O RING	1	
4	13326-89L00	.SCREW	2	
5	13421-89L00	.O RING, FLANGE	1	
6	15211-91J00-130	HOSE, IAC	1	
7	01550-06207	BOLT	2	

FIG.59

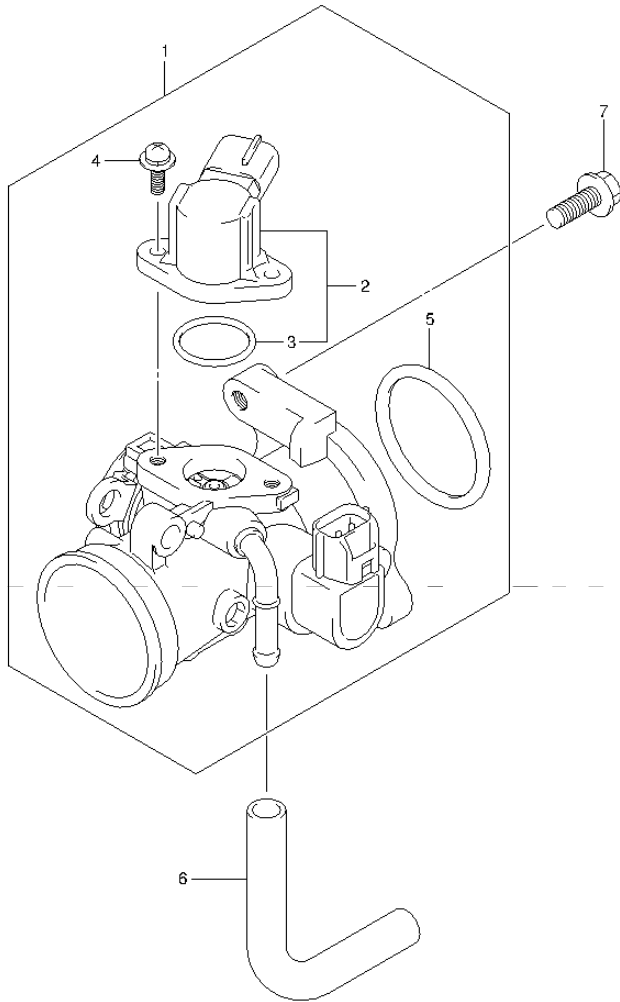


FIG.59 (1-F-5) THROTTLE BODY (DF9.9BT P01)

REF NO.	PART NO.	DESCRIPTION	Q'TY	REMARKS
1	13300-89L10	BODY ASSY, THROTTLE	1	
2	13420-16HA0	.SOLENOID ASSY	1	
3	13425-33G00	..O RING	1	
4	13326-89L00	.SCREW	2	
5	13421-89L00	.O RING, FLANGE	1	
6	15211-91J00-130	HOSE, IAC	1	
7	01550-06207	BOLT	2	

FIG.60

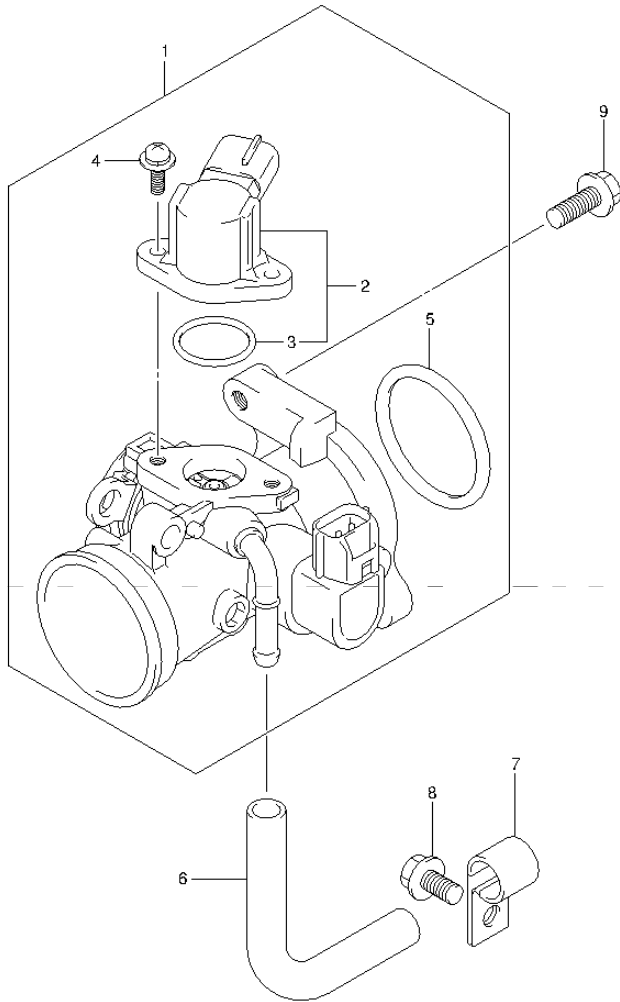


FIG.60 (1-F-6) THROTTLE BODY (DF15A P01)

REF NO.	PART NO.	DESCRIPTION	Q'TY	REMARKS
1	13300-89L00	BODY ASSY, THROTTLE	1	
2	13420-16HA0	.SOLENOID ASSY	1	
3	13425-33G00	..O RING	1	
4	13326-89L00	.SCREW	2	
5	13421-89L00	.O RING, FLANGE	1	
6	15211-91J00-130	HOSE, IAC	1	
7	09403-12406	CLAMP	1	
8	01550-06127	BOLT	1	
9	01550-06207	BOLT	2	

FIG.61

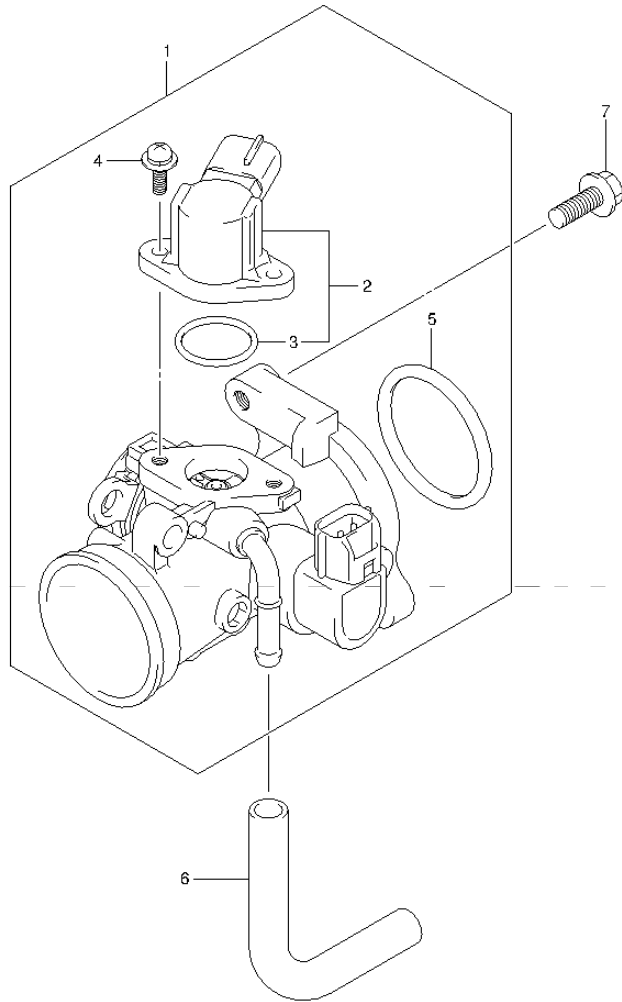


FIG.61 (1-F-7) THROTTLE BODY (DF15AR P01)

REF NO.	PART NO.	DESCRIPTION	Q'TY	REMARKS
1	13300-89L10	BODY ASSY, THROTTLE	1	
2	13420-16HA0	.SOLENOID ASSY	1	
3	13425-33G00	..O RING	1	
4	13326-89L00	.SCREW	2	
5	13421-89L00	.O RING, FLANGE	1	
6	15211-91J00-130	HOSE, IAC	1	
7	01550-06207	BOLT	2	

FIG.62

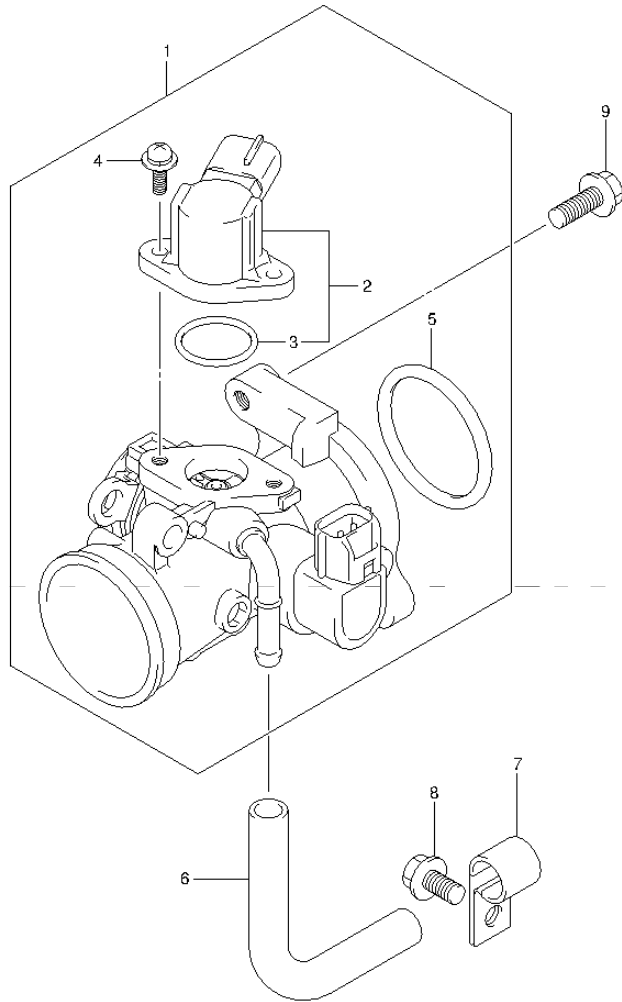


FIG.62 (1-F-8) THROTTLE BODY (DF15ATH P01)

REF NO.	PART NO.	DESCRIPTION	Q'TY	REMARKS
1	13300-89L00	BODY ASSY, THROTTLE	1	
2	13420-16HA0	.SOLENOID ASSY	1	
3	13425-33G00	..O RING	1	
4	13326-89L00	.SCREW	2	
5	13421-89L00	.O RING, FLANGE	1	
6	15211-91J00-130	HOSE, IAC	1	
7	09403-12406	CLAMP	1	
8	01550-06127	BOLT	1	
9	01550-06207	BOLT	2	

FIG.63

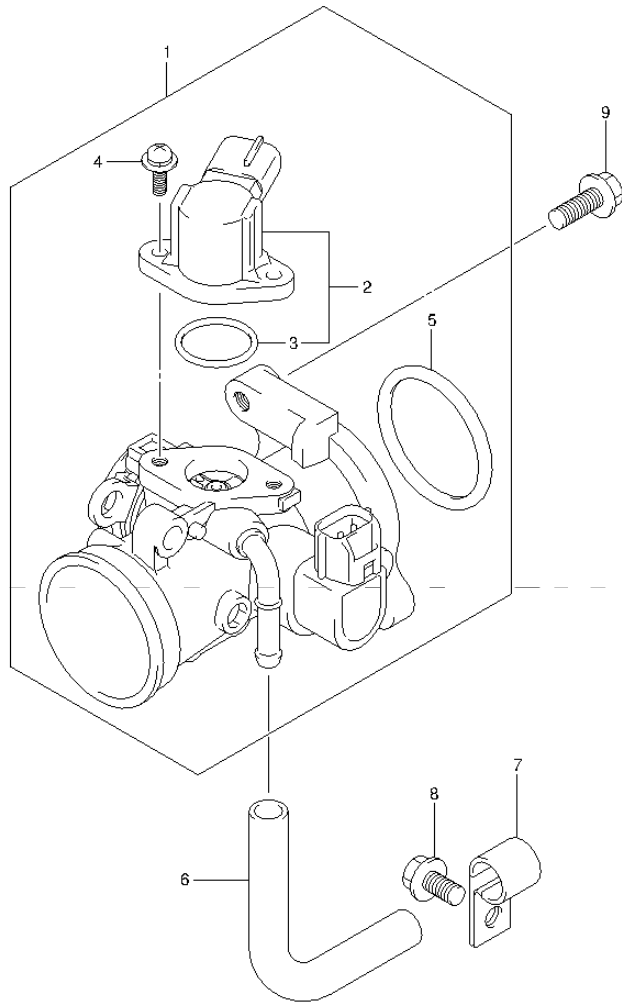


FIG.63 (1-F-9) THROTTLE BODY (DF20A P01)

REF NO.	PART NO.	DESCRIPTION	Q'TY	REMARKS
1	13300-89L00	BODY ASSY, THROTTLE	1	
2	13420-16HA0	.SOLENOID ASSY	1	
3	13425-33G00	..O RING	1	
4	13326-89L00	.SCREW	2	
5	13421-89L00	.O RING, FLANGE	1	
6	15211-91J00-130	HOSE, IAC	1	
7	09403-12406	CLAMP	1	
8	01550-06127	BOLT	1	
9	01550-06207	BOLT	2	

FIG.64

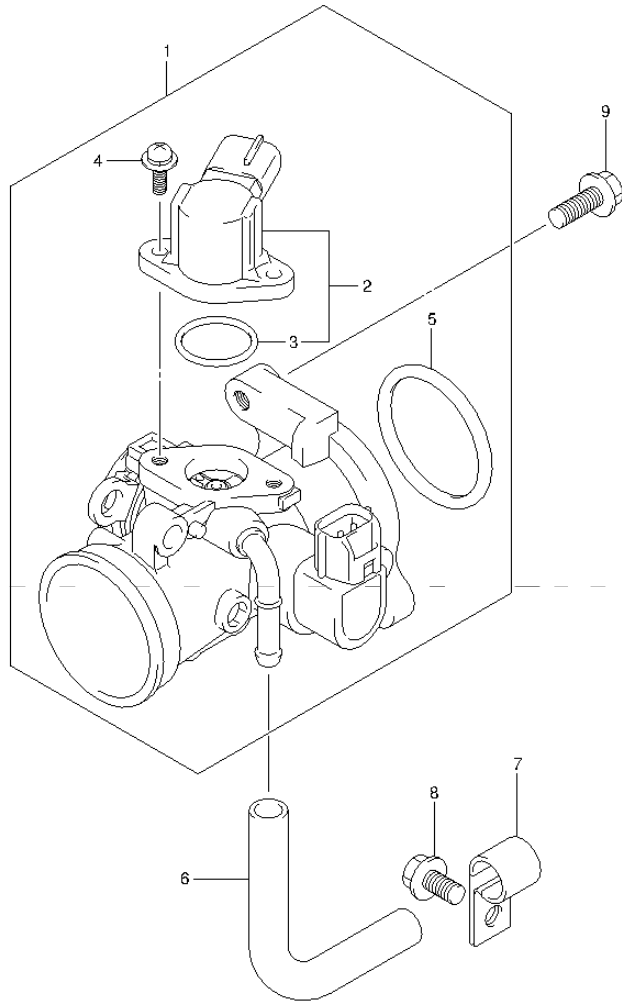


FIG.64 (1-F-10) THROTTLE BODY (DF20A P40)

REF NO.	PART NO.	DESCRIPTION	Q'TY	REMARKS
1	13300-89L00	BODY ASSY, THROTTLE	1	
2	13420-16HA0	.SOLENOID ASSY	1	
3	13425-33G00	..O RING	1	
4	13326-89L00	.SCREW	2	
5	13421-89L00	.O RING, FLANGE	1	
6	15211-91J00-130	HOSE, IAC	1	
7	09403-12406	CLAMP	1	
8	01550-06127	BOLT	1	
9	01550-06207	BOLT	2	

FIG.65

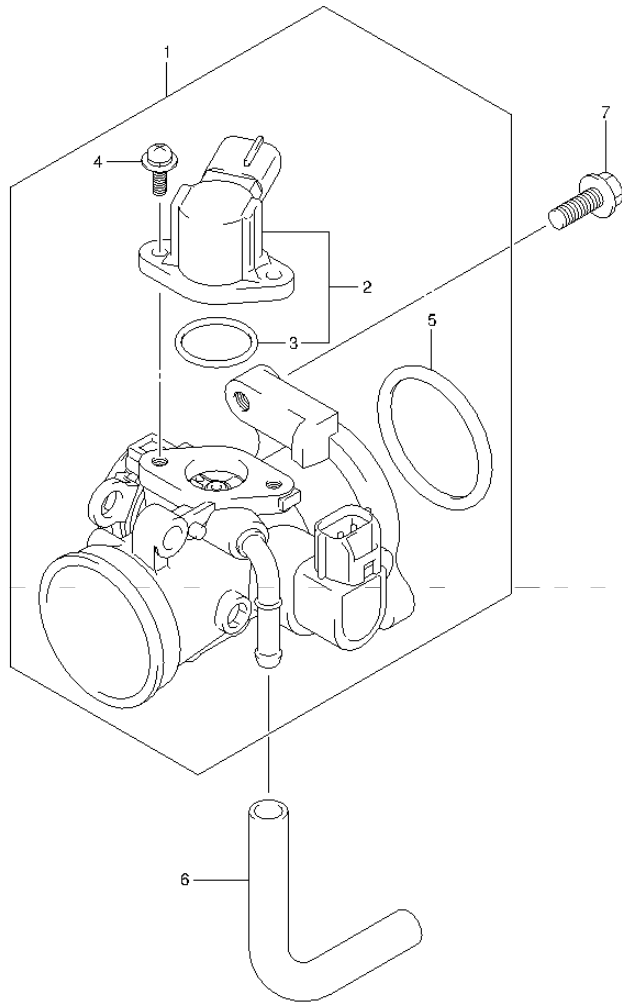


FIG.65 (1-F-11) THROTTLE BODY (DF20AR P01)

REF NO.	PART NO.	DESCRIPTION	Q'TY	REMARKS
1	13300-89L10	BODY ASSY, THROTTLE	1	
2	13420-16HA0	.SOLENOID ASSY	1	
3	13425-33G00	..O RING	1	
4	13326-89L00	.SCREW	2	
5	13421-89L00	.O RING, FLANGE	1	
6	15211-91J00-130	HOSE, IAC	1	
7	01550-06207	BOLT	2	

FIG.66

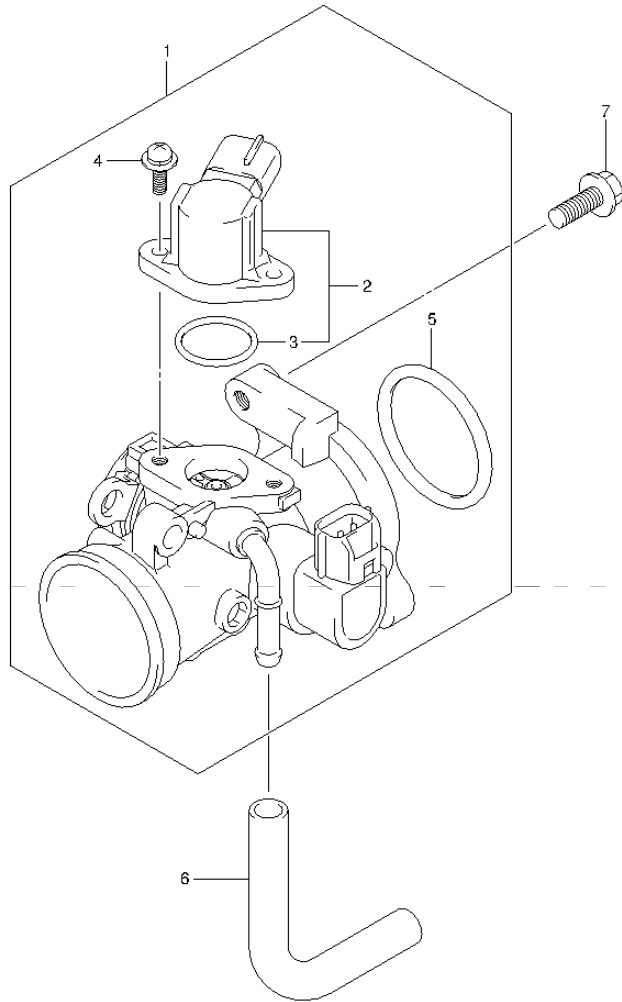


FIG.66 (1-F-12) THROTTLE BODY (DF20AT P01)

REF NO.	PART NO.	DESCRIPTION	Q'TY	REMARKS
1	13300-89L10	BODY ASSY, THROTTLE	1	
2	13420-16HA0	.SOLENOID ASSY	1	
3	13425-33G00	..O RING	1	
4	13326-89L00	.SCREW	2	
5	13421-89L00	.O RING, FLANGE	1	
6	15211-91J00-130	HOSE, IAC	1	
7	01550-06207	BOLT	2	

FIG.67

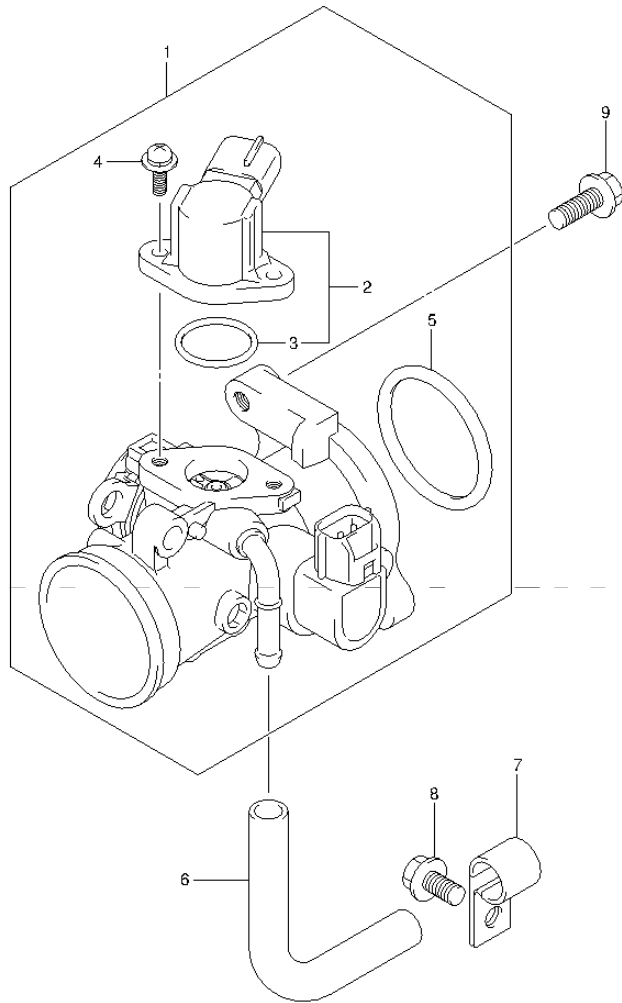


FIG.67 (1-F-13) THROTTLE BODY (DF20ATH P01)

REF NO.	PART NO.	DESCRIPTION	Q'TY	REMARKS
1	13300-89L00	BODY ASSY, THROTTLE	1	
2	13420-16HA0	.SOLENOID ASSY	1	
3	13425-33G00	..O RING	1	
4	13326-89L00	.SCREW	2	
5	13421-89L00	.O RING, FLANGE	1	
6	15211-91J00-130	HOSE, IAC	1	
7	09403-12406	CLAMP	1	
8	01550-06127	BOLT	1	
9	01550-06207	BOLT	2	

FIG.68

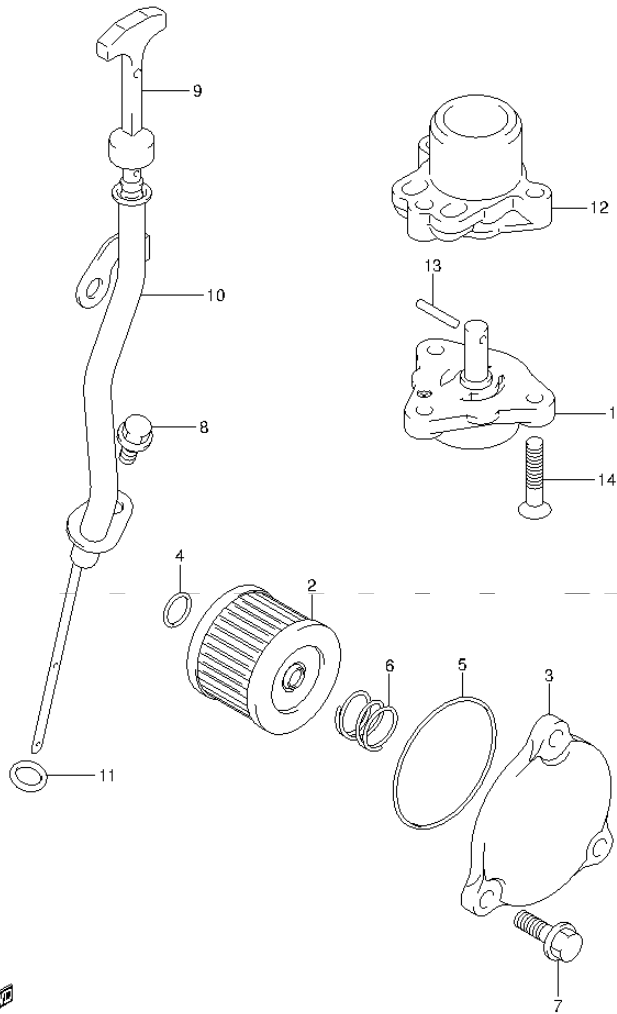


FIG.68 (1-F-14) OIL PUMP

REF NO.	PART NO.	DESCRIPTION	Q'TY	REMARKS
1	16400-89L00	PUMP ASSY, OIL	1	
2	16510-45H10	FILTER, ENGINE OIL	1	
3	16512-99J00	CAP, OIL FILTER	1	
4	09280-13004	O RING (D:1.9,ID:13)	1	
5	09280-54001	O RING (D:2.4,ID:52.6)	1	
6	09440-18002	SPRING	1	
7	01550-06207	BOLT	3	
8	01550-06127	BOLT	1	
9	16910-89L00	GAUGE, OIL LEVEL	1	
10	16930-89L00	GUIDE, OIL LEVEL GAUGE	1	
11	09280-09008	O RING (D:2.1,ID:8.8)	1	
12	16431-89L00	BLOCK, OIL GALLERY	1	
13	59262-94J00	PIN, OIL PUMP	1	
14	02122-0630A	SCREW	3	

FIG.69

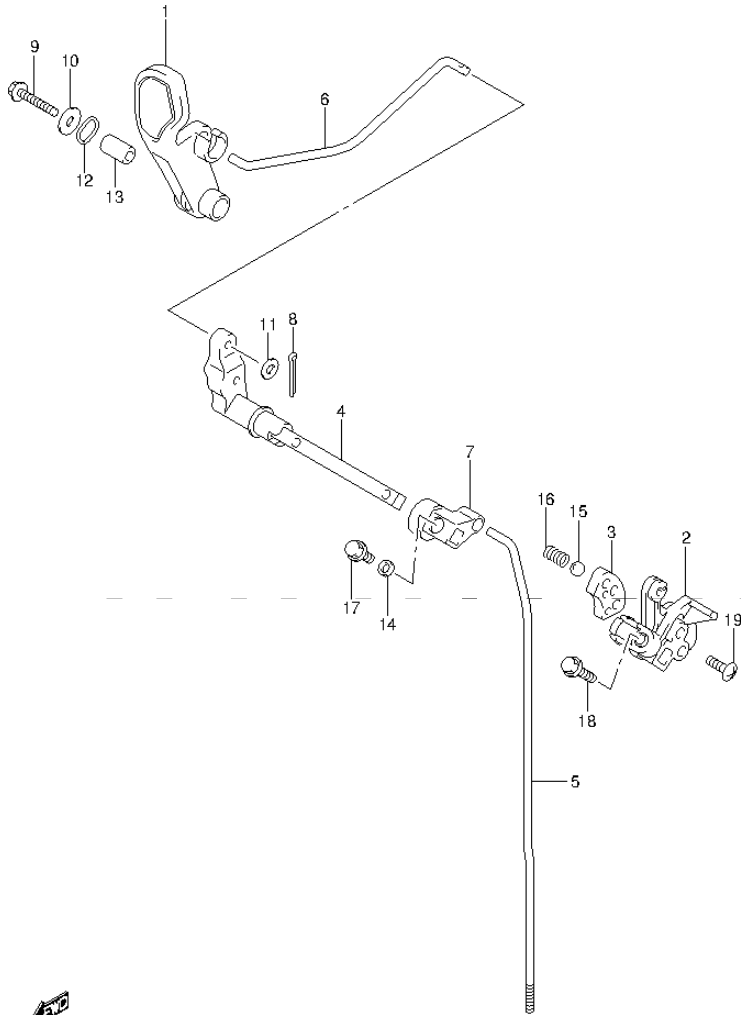


FIG.69 (1-F-15) CLUTCH ROD (DF9.9B P01)

REF NO.	PART NO.	DESCRIPTION	Q'TY	REMARKS
1	21111-89L00	LEVER, CLUTCH	1	
2	21120-89L00	LEVER, CLUTCH NOTCH	1	
3	21122-89L00	PLATE, CLUTCH NOTCH	1	
4	21210-89L00	SHAFT, CLUTCH LEVER	1	
5-1	23111-89L00	ROD, CLUTCH (S)	1	W/TRANSOM(S)
5-2	23111-89L10	ROD, CLUTCH (L)	1	W/TRANSOM(L)
6	23115-89L00	LINK, CLUTCH LEVER	1	
7	23211-89L00	ARM, CLUTCH ROD	1	
8	09204-01002	PIN	1	
9	09116-06234	BOLT (6X35)	1	
10	09160-06046	WASHER (6.5X20X1.5)	1	
11	09160-06094	WASHER (6.5X15X1.5)	1	
12	09164-14008	WASHER	2	
13	09180-06186	SPACER (6.2X12.6X21)	1	
14	09180-06362	SPACER (6.5X10.5X4)	1	
15	09260-12003	BALL	1	
16	09440-09041	SPRING	1	
17	01550-06127	BOLT	1	
18	01550-06257	BOLT	1	
19	02142-06207	SCREW	2	



FIG.70

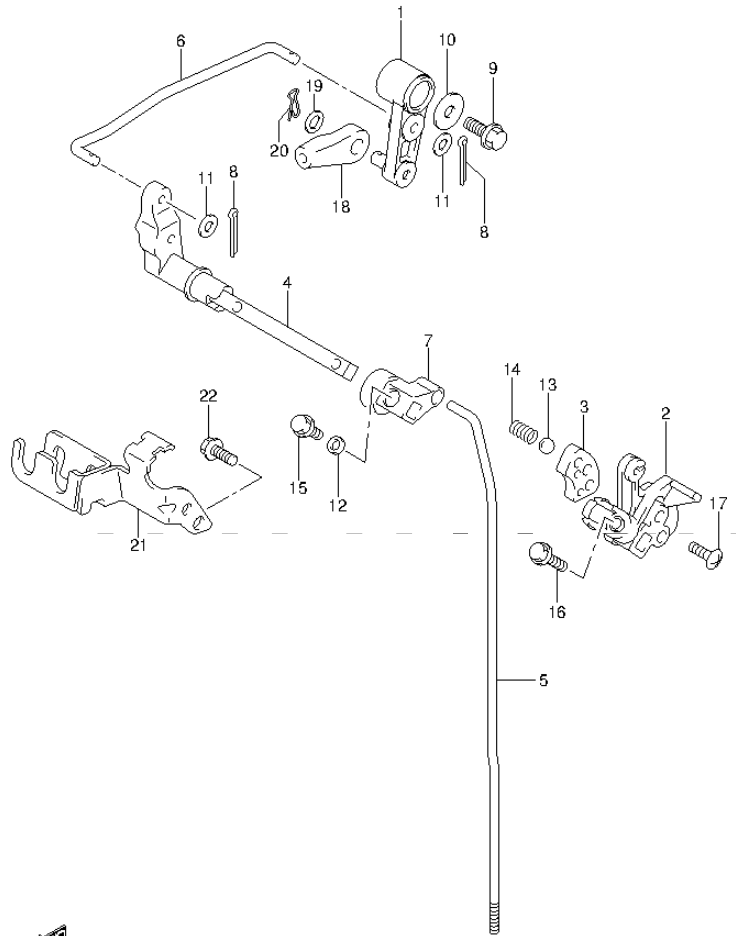


FIG.70 (1-G-2) CLUTCH ROD (DF9.9BR P01)

REF NO.	PART NO.	DESCRIPTION	Q'TY	REMARKS
1	21110-89L10	LEVER, CLUTCH	1	
2	21120-89L00	LEVER, CLUTCH NOTCH	1	
3	21122-89L00	PLATE, CLUTCH NOTCH	1	
4	21210-89L00	SHAFT, CLUTCH LEVER	1	
5-1	23111-89L00	ROD, CLUTCH (S)	1	W/TRANSOM(S)
5-2	23111-89L10	ROD, CLUTCH (L)	1	W/TRANSOM(L)
6	23115-89L10	LINK, CLUTCH LEVER	1	
7	23211-89L00	ARM, CLUTCH ROD	1	
8	09204-01002	PIN	2	
9	01550-06127	BOLT	1	
10	09160-06046	WASHER (6.5X20X1.5)	1	
11	09160-05029	WASHER (5.5X12X0.8)	2	
12	09180-06362	SPACER (6.5X10.5X4)	1	
13	09260-12003	BALL	1	
14	09440-09041	SPRING	1	
15	01550-06127	BOLT	1	
16	01550-06257	BOLT	1	
17	02142-06207	SCREW	2	
18	67467-89J01	CONNECTOR	1	
19	09160-06055	WASHER (7X12X1)	1	
20	09385-06012	CLIP	1	
21	67340-89L00	HOLDER, R/CON CABLE	1	
22	01547-06167	BOLT	2	



FIG.71

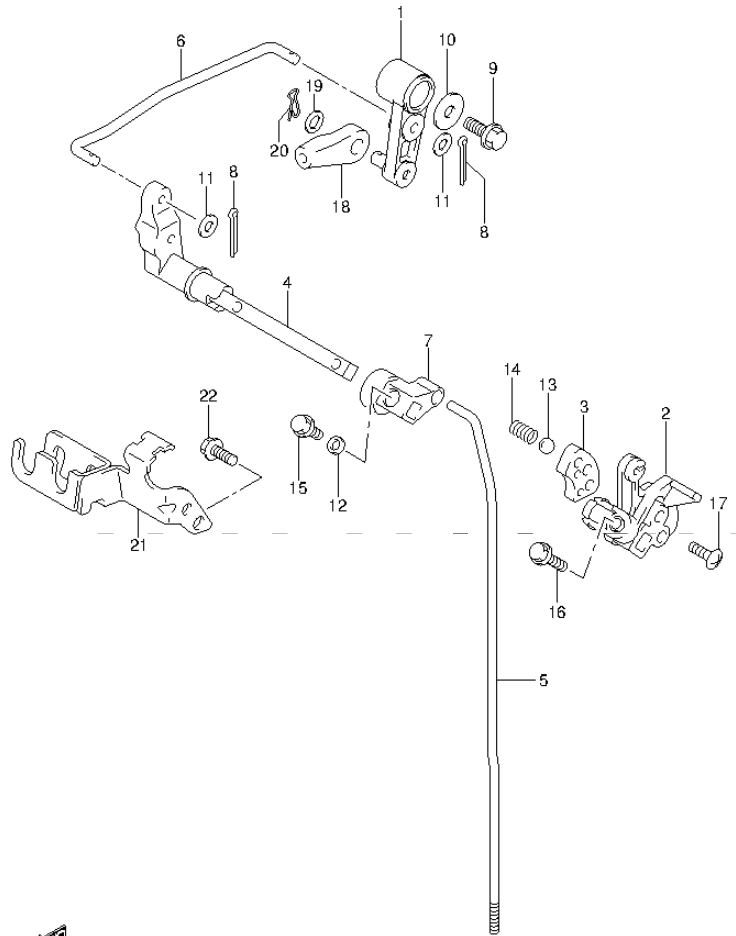


FIG.71 (1-G-3) CLUTCH ROD (DF9.9BT P01)

REF NO.	PART NO.	DESCRIPTION	Q'TY	REMARKS
1	21110-89L10	LEVER, CLUTCH	1	
2	21120-89L00	LEVER, CLUTCH NOTCH	1	
3	21122-89L00	PLATE, CLUTCH NOTCH	1	
4	21210-89L00	SHAFT, CLUTCH LEVER	1	
5-1	23111-89L00	ROD, CLUTCH (S)	1	W/TRANSOM(S)
5-2	23111-89L10	ROD, CLUTCH (L)	1	W/TRANSOM(L)
6	23115-89L10	LINK, CLUTCH LEVER	1	
7	23211-89L00	ARM, CLUTCH ROD	1	
8	09204-01002	PIN	2	
9	01550-06127	BOLT	1	
10	09160-06046	WASHER (6.5X20X1.5)	1	
11	09160-05029	WASHER (5.5X12X0.8)	2	
12	09180-06362	SPACER (6.5X10.5X4)	1	
13	09260-12003	BALL	1	
14	09440-09041	SPRING	1	
15	01550-06127	BOLT	1	
16	01550-06257	BOLT	1	
17	02142-06207	SCREW	2	
18	67467-89J01	CONNECTOR	1	
19	09160-06055	WASHER (7X12X1)	1	
20	09385-06012	CLIP	1	
21	67340-89L00	HOLDER, R/CON CABLE	1	
22	01547-06167	BOLT	2	



FIG.72

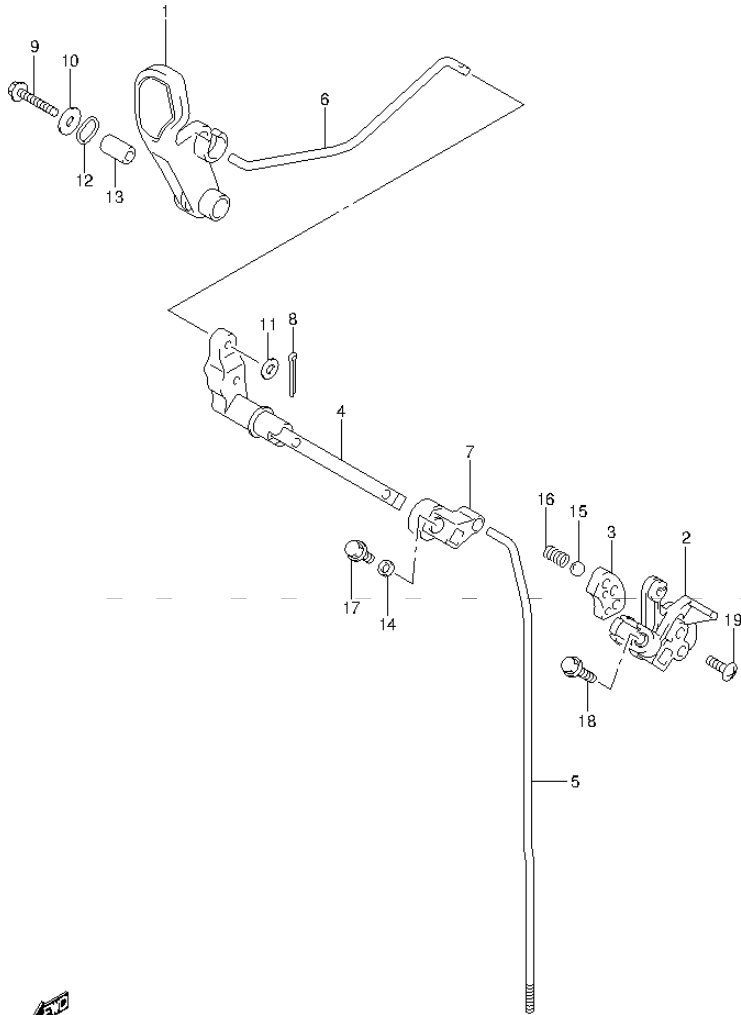


FIG.72 (1-G-4) CLUTCH ROD (DF15A P01)

REF NO.	PART NO.	DESCRIPTION	Q'TY	REMARKS
1	21111-89L00	LEVER, CLUTCH	1	
2	21120-89L00	LEVER, CLUTCH NOTCH	1	
3	21122-89L00	PLATE, CLUTCH NOTCH	1	
4	21210-89L00	SHAFT, CLUTCH LEVER	1	
5-1	23111-89L00	ROD, CLUTCH (S)	1	W/TRANSOM(S)
5-2	23111-89L10	ROD, CLUTCH (L)	1	W/TRANSOM(L)
6	23115-89L00	LINK, CLUTCH LEVER	1	
7	23211-89L00	ARM, CLUTCH ROD	1	
8	09204-01002	PIN	1	
9	09116-06234	BOLT (6X35)	1	
10	09160-06046	WASHER (6.5X20X1.5)	1	
11	09160-06094	WASHER (6.5X15X1.5)	1	
12	09164-14008	WASHER	2	
13	09180-06186	SPACER (6.2X12.6X21)	1	
14	09180-06362	SPACER (6.5X10.5X4)	1	
15	09260-12003	BALL	1	
16	09440-09041	SPRING	1	
17	01550-06127	BOLT	1	
18	01550-06257	BOLT	1	
19	02142-06207	SCREW	2	



FIG.73

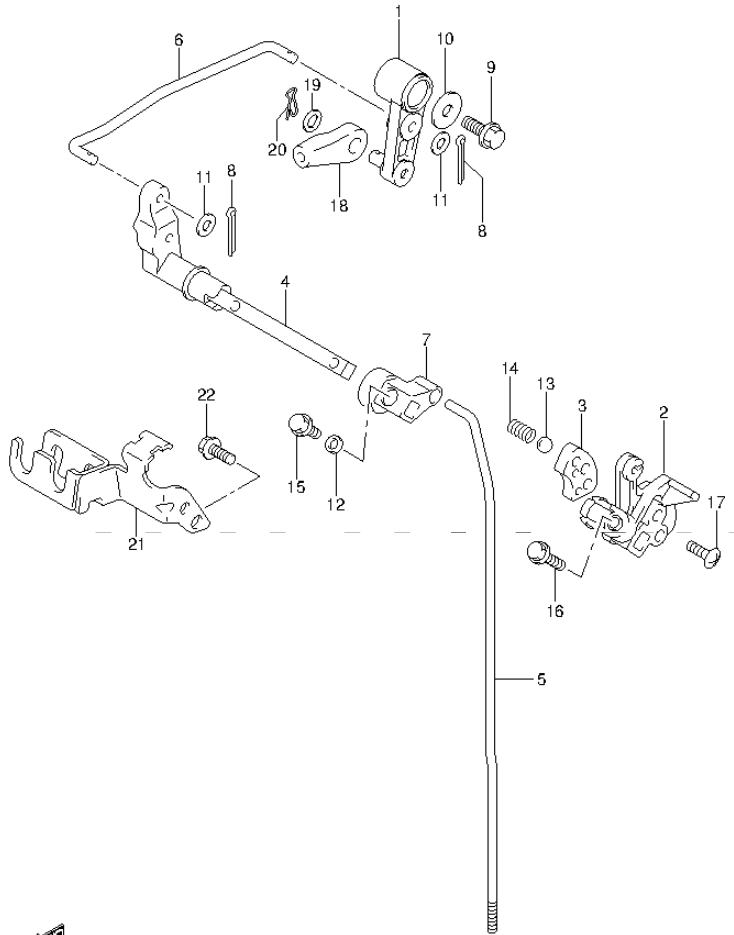


FIG.73 (1-G-5) CLUTCH ROD (DF15AR P01)

REF NO.	PART NO.	DESCRIPTION	Q'TY	REMARKS
1	21110-89L10	LEVER, CLUTCH	1	
2	21120-89L00	LEVER, CLUTCH NOTCH	1	
3	21122-89L00	PLATE, CLUTCH NOTCH	1	
4	21210-89L00	SHAFT, CLUTCH LEVER	1	
5-1	23111-89L00	ROD, CLUTCH (S)	1	W/TRANSOM(S)
5-2	23111-89L10	ROD, CLUTCH (L)	1	W/TRANSOM(L)
6	23115-89L10	LINK, CLUTCH LEVER	1	
7	23211-89L00	ARM, CLUTCH ROD	1	
8	09204-01002	PIN	2	
9	01550-06127	BOLT	1	
10	09160-06046	WASHER (6.5X20X1.5)	1	
11	09160-05029	WASHER (5.5X12X0.8)	2	
12	09180-06362	SPACER (6.5X10.5X4)	1	
13	09260-12003	BALL	1	
14	09440-09041	SPRING	1	
15	01550-06127	BOLT	1	
16	01550-06257	BOLT	1	
17	02142-06207	SCREW	2	
18	67467-89J01	CONNECTOR	1	
19	09160-06055	WASHER (7X12X1)	1	
20	09385-06012	CLIP	1	
21	67340-89L00	HOLDER, R/CON CABLE	1	
22	01547-06167	BOLT	2	



FIG.74

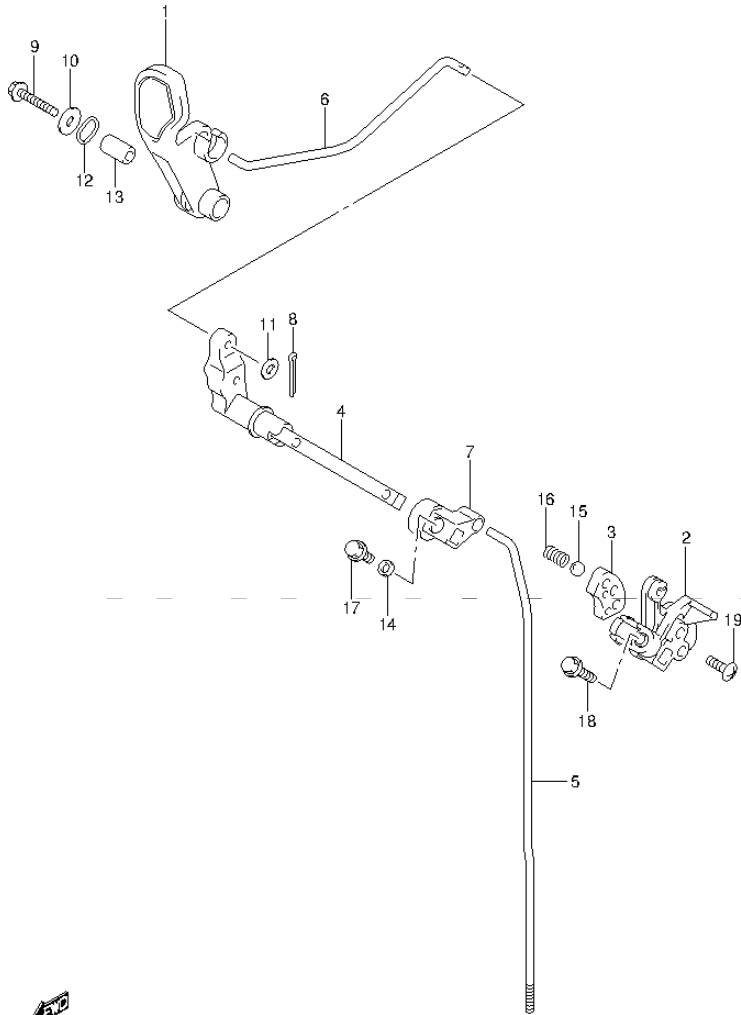


FIG.74 (1-G-6) CLUTCH ROD (DF15ATH P01)

REF NO.	PART NO.	DESCRIPTION	Q'TY	REMARKS
1	21111-89L00	LEVER, CLUTCH	1	
2	21120-89L00	LEVER, CLUTCH NOTCH	1	
3	21122-89L00	PLATE, CLUTCH NOTCH	1	
4	21210-89L00	SHAFT, CLUTCH LEVER	1	
5-1	23111-89L00	ROD, CLUTCH (S)	1	W/TRANSOM(S)
5-2	23111-89L10	ROD, CLUTCH (L)	1	W/TRANSOM(L)
6	23115-89L00	LINK, CLUTCH LEVER	1	
7	23211-89L00	ARM, CLUTCH ROD	1	
8	09204-01002	PIN	1	
9	09116-06234	BOLT (6X35)	1	
10	09160-06046	WASHER (6.5X20X1.5)	1	
11	09160-06094	WASHER (6.5X15X1.5)	1	
12	09164-14008	WASHER	2	
13	09180-06186	SPACER (6.2X12.6X21)	1	
14	09180-06362	SPACER (6.5X10.5X4)	1	
15	09260-12003	BALL	1	
16	09440-09041	SPRING	1	
17	01550-06127	BOLT	1	
18	01550-06257	BOLT	1	
19	02142-06207	SCREW	2	



FIG.75

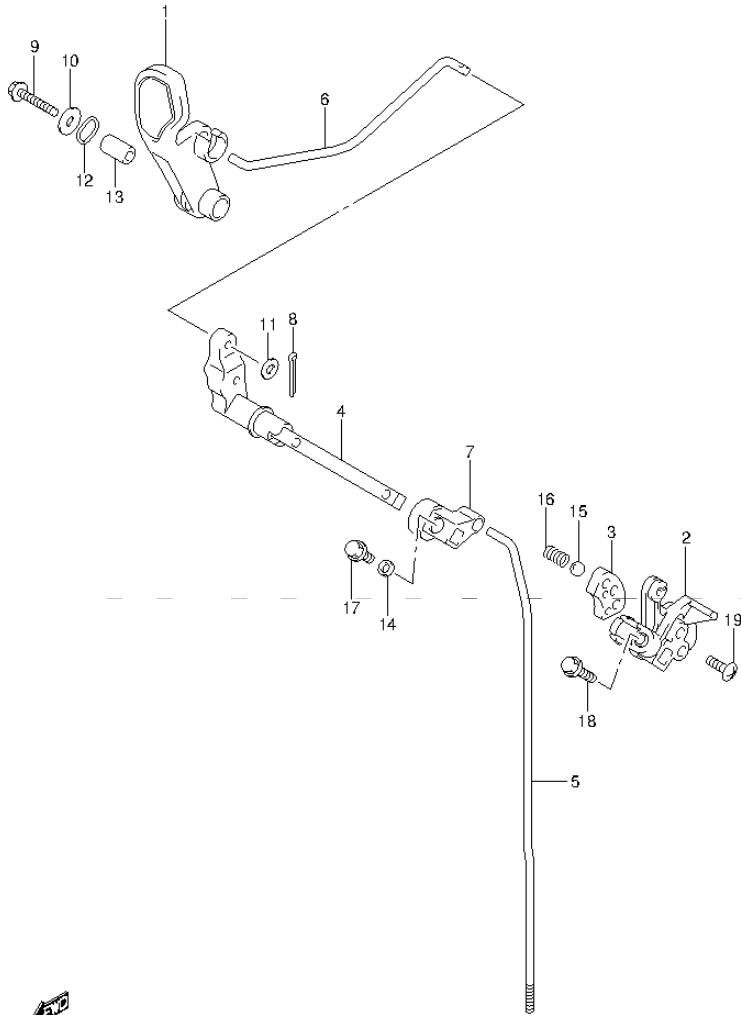


FIG.75 (1-G-7) CLUTCH ROD (DF20A P01)

REF NO.	PART NO.	DESCRIPTION	Q'TY	REMARKS
1	21111-89L00	LEVER, CLUTCH	1	
2	21120-89L00	LEVER, CLUTCH NOTCH	1	
3	21122-89L00	PLATE, CLUTCH NOTCH	1	
4	21210-89L00	SHAFT, CLUTCH LEVER	1	
5-1	23111-89L00	ROD, CLUTCH (S)	1	W/TRANSOM(S)
5-2	23111-89L10	ROD, CLUTCH (L)	1	W/TRANSOM(L)
6	23115-89L00	LINK, CLUTCH LEVER	1	
7	23211-89L00	ARM, CLUTCH ROD	1	
8	09204-01002	PIN	1	
9	09116-06234	BOLT (6X35)	1	
10	09160-06046	WASHER (6.5X20X1.5)	1	
11	09160-06094	WASHER (6.5X15X1.5)	1	
12	09164-14008	WASHER	2	
13	09180-06186	SPACER (6.2X12.6X21)	1	
14	09180-06362	SPACER (6.5X10.5X4)	1	
15	09260-12003	BALL	1	
16	09440-09041	SPRING	1	
17	01550-06127	BOLT	1	
18	01550-06257	BOLT	1	
19	02142-06207	SCREW	2	



FIG.76

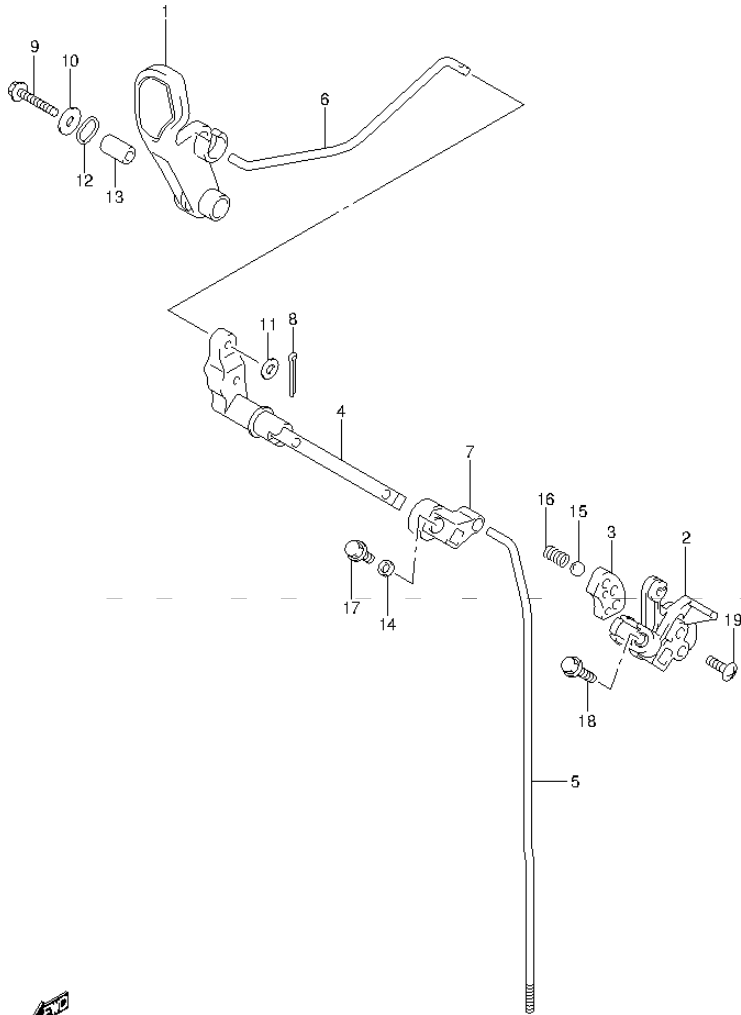


FIG.76 (1-G-8) CLUTCH ROD (DF20A P40)

REF NO.	PART NO.	DESCRIPTION	Q'TY	REMARKS
1	21111-89L00	LEVER, CLUTCH	1	
2	21120-89L00	LEVER, CLUTCH NOTCH	1	
3	21122-89L00	PLATE, CLUTCH NOTCH	1	
4	21210-89L00	SHAFT, CLUTCH LEVER	1	
5-1	23111-89L00	ROD, CLUTCH (S)	1	W/TRANSOM(S)
5-2	23111-89L10	ROD, CLUTCH (L)	1	W/TRANSOM(L)
6	23115-89L00	LINK, CLUTCH LEVER	1	
7	23211-89L00	ARM, CLUTCH ROD	1	
8	09204-01002	PIN	1	
9	09116-06234	BOLT (6X35)	1	
10	09160-06046	WASHER (6.5X20X1.5)	1	
11	09160-06094	WASHER (6.5X15X1.5)	1	
12	09164-14008	WASHER	2	
13	09180-06186	SPACER (6.2X12.6X21)	1	
14	09180-06362	SPACER (6.5X10.5X4)	1	
15	09260-12003	BALL	1	
16	09440-09041	SPRING	1	
17	01550-06127	BOLT	1	
18	01550-06257	BOLT	1	
19	02142-06207	SCREW	2	



FIG.77

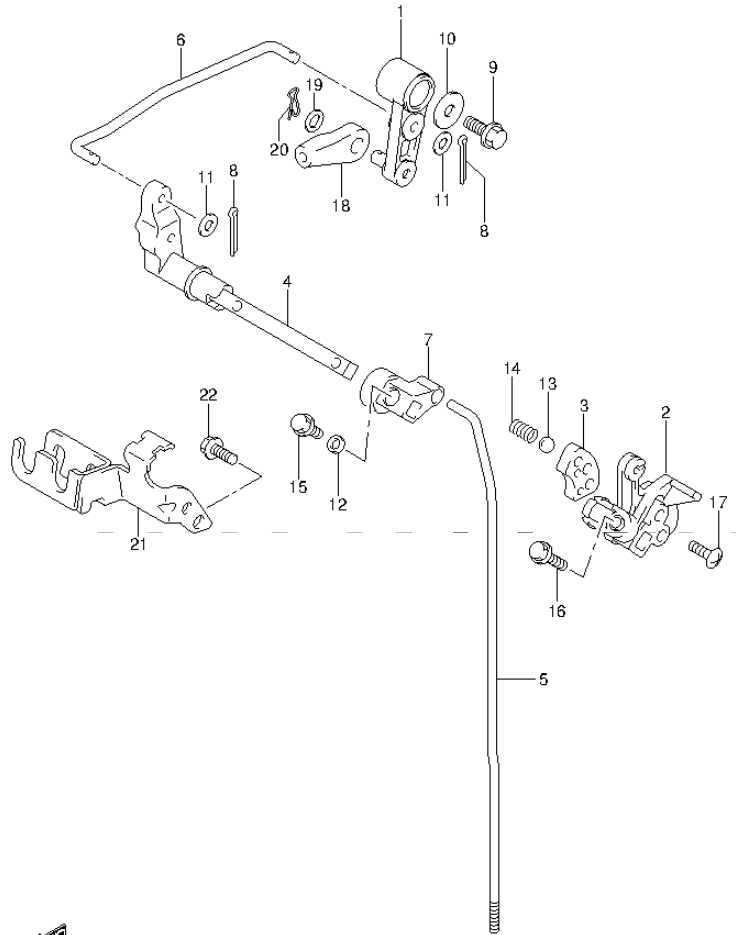


FIG.77 (1-G-9) CLUTCH ROD (DF20AR P01)

REF NO.	PART NO.	DESCRIPTION	Q'TY	REMARKS
1	21110-89L10	LEVER, CLUTCH	1	
2	21120-89L00	LEVER, CLUTCH NOTCH	1	
3	21122-89L00	PLATE, CLUTCH NOTCH	1	
4	21210-89L00	SHAFT, CLUTCH LEVER	1	
5-1	23111-89L00	ROD, CLUTCH (S)	1	W/TRANSOM(S)
5-2	23111-89L10	ROD, CLUTCH (L)	1	W/TRANSOM(L)
6	23115-89L10	LINK, CLUTCH LEVER	1	
7	23211-89L00	ARM, CLUTCH ROD	1	
8	09204-01002	PIN	2	
9	01550-06127	BOLT	1	
10	09160-06046	WASHER (6.5X20X1.5)	1	
11	09160-05029	WASHER (5.5X12X0.8)	2	
12	09180-06362	SPACER (6.5X10.5X4)	1	
13	09260-12003	BALL	1	
14	09440-09041	SPRING	1	
15	01550-06127	BOLT	1	
16	01550-06257	BOLT	1	
17	02142-06207	SCREW	2	
18	67467-89J01	CONNECTOR	1	
19	09160-06055	WASHER (7X12X1)	1	
20	09385-06012	CLIP	1	
21	67340-89L00	HOLDER, R/CON CABLE	1	
22	01547-06167	BOLT	2	



FIG.78

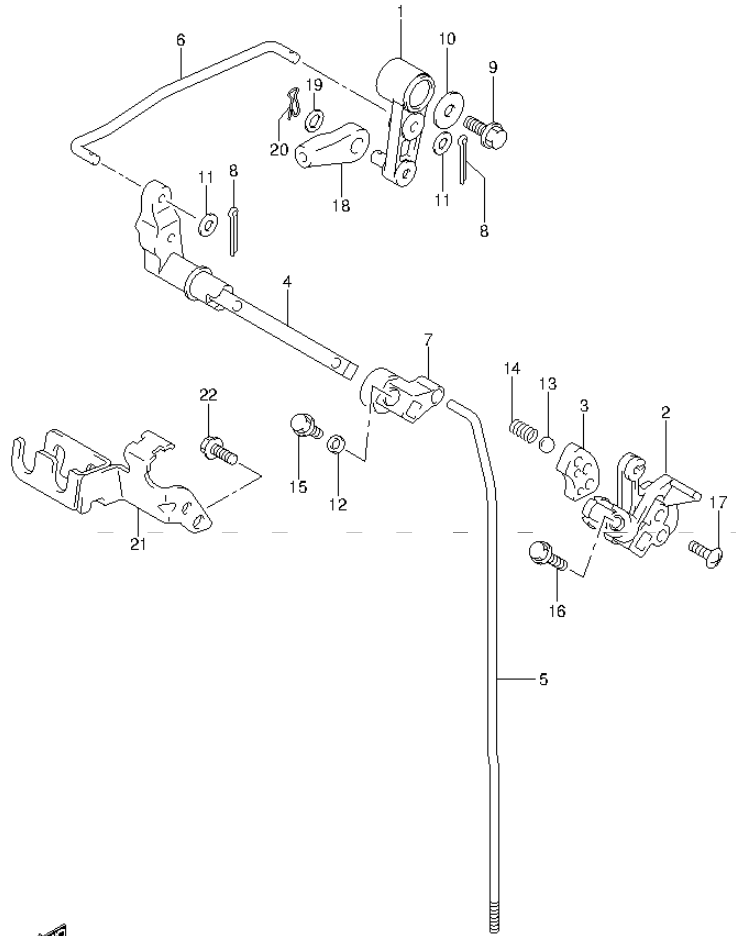


FIG.78 (1-G-10) CLUTCH ROD (DF20AT P01)

REF NO.	PART NO.	DESCRIPTION	Q'TY	REMARKS
1	21110-89L10	LEVER, CLUTCH	1	
2	21120-89L00	LEVER, CLUTCH NOTCH	1	
3	21122-89L00	PLATE, CLUTCH NOTCH	1	
4	21210-89L00	SHAFT, CLUTCH LEVER	1	
5-1	23111-89L00	ROD, CLUTCH (S)	1	W/TRANSOM(S)
5-2	23111-89L10	ROD, CLUTCH (L)	1	W/TRANSOM(L)
6	23115-89L10	LINK, CLUTCH LEVER	1	
7	23211-89L00	ARM, CLUTCH ROD	1	
8	09204-01002	PIN	2	
9	01550-06127	BOLT	1	
10	09160-06046	WASHER (6.5X20X1.5)	1	
11	09160-05029	WASHER (5.5X12X0.8)	2	
12	09180-06362	SPACER (6.5X10.5X4)	1	
13	09260-12003	BALL	1	
14	09440-09041	SPRING	1	
15	01550-06127	BOLT	1	
16	01550-06257	BOLT	1	
17	02142-06207	SCREW	2	
18	67467-89J01	CONNECTOR	1	
19	09160-06055	WASHER (7X12X1)	1	
20	09385-06012	CLIP	1	
21	67340-89L00	HOLDER, R/CON CABLE	1	
22	01547-06167	BOLT	2	



FIG.79

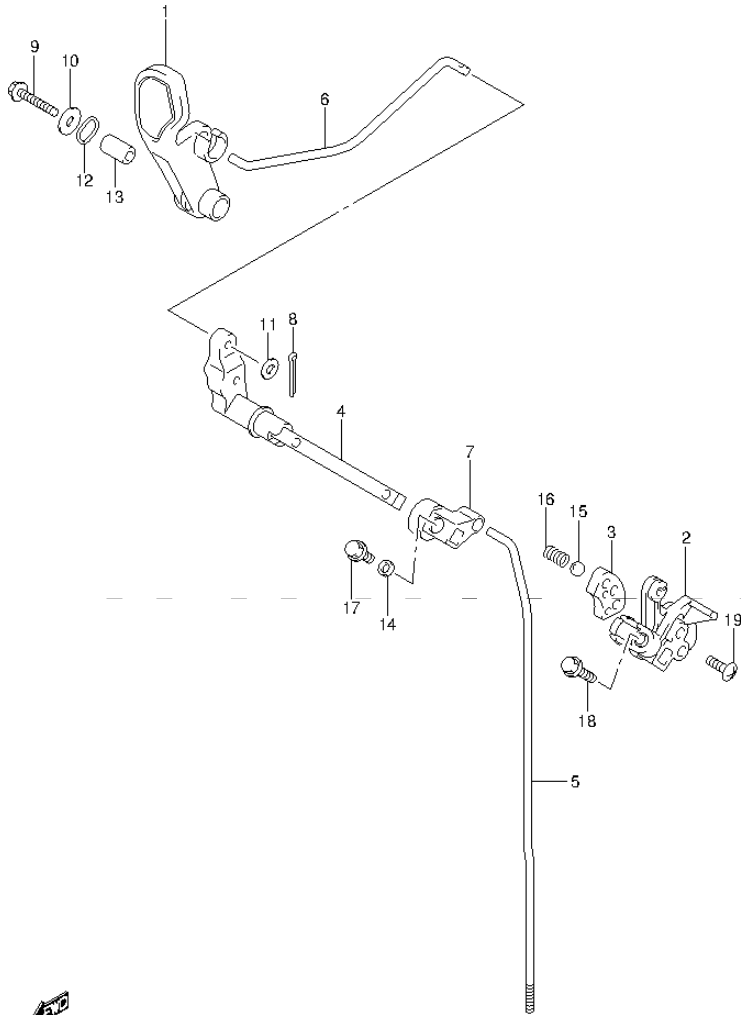


FIG.79 (1-G-11) CLUTCH ROD (DF20ATH P01)

REF NO.	PART NO.	DESCRIPTION	Q'TY	REMARKS
1	21111-89L00	LEVER, CLUTCH	1	
2	21120-89L00	LEVER, CLUTCH NOTCH	1	
3	21122-89L00	PLATE, CLUTCH NOTCH	1	
4	21210-89L00	SHAFT, CLUTCH LEVER	1	
5-1	23111-89L00	ROD, CLUTCH (S)	1	W/TRANSOM(S)
5-2	23111-89L10	ROD, CLUTCH (L)	1	W/TRANSOM(L)
6	23115-89L00	LINK, CLUTCH LEVER	1	
7	23211-89L00	ARM, CLUTCH ROD	1	
8	09204-01002	PIN	1	
9	09116-06234	BOLT (6X35)	1	
10	09160-06046	WASHER (6.5X20X1.5)	1	
11	09160-06094	WASHER (6.5X15X1.5)	1	
12	09164-14008	WASHER	2	
13	09180-06186	SPACER (6.2X12.6X21)	1	
14	09180-06362	SPACER (6.5X10.5X4)	1	
15	09260-12003	BALL	1	
16	09440-09041	SPRING	1	
17	01550-06127	BOLT	1	
18	01550-06257	BOLT	1	
19	02142-06207	SCREW	2	



FIG.80

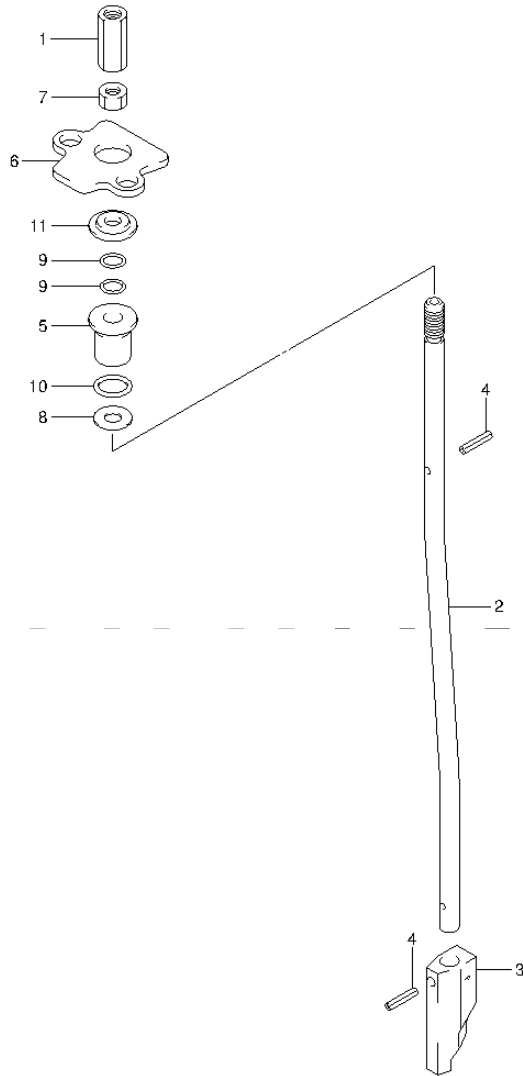


FIG.80 (1-G-12) SHIFT ROD

REF NO.	PART NO.	DESCRIPTION	Q'TY	REMARKS
1	23311-95J00	CONNECTOR, CLUTCH ROD	1	
2	25111-99J00	ROD, SHIFT	1	
3	25311-99J00	CAM, SHIFT	1	
4	09205-02004	SPRING PIN (2.5X12)	2	
5	25211-99JL0	GUIDE, SHIFT ROD	1	
6	25215-99J00	STOPPER, SHIFT ROD GUIDE	1	
7	29141-93J00	NUT, CLUTCH ROD (M6)	1	
8	09160-06082	WASHER (6.5X13X1.0)	1	
9	09280-06012	O RING (D:1.7,ID:5.8)	2	
10	09280-09012	O RING (D:2.3,ID:9)	1	
11	09289-06L02	DUST SEAL (5X17X3.5)	1	

FIG.81

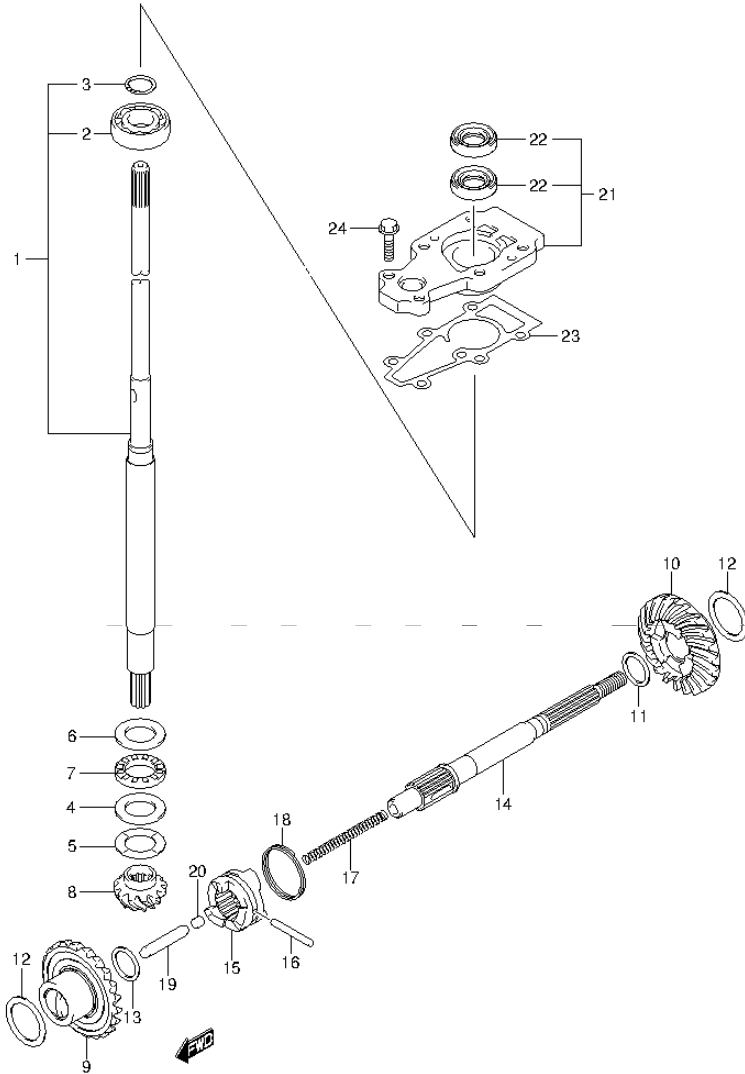


FIG.81 (1-G-13) TRANSMISSION (DF9.9B P01)

REF NO.	PART NO.	DESCRIPTION	Q'TY	REMARKS
1-1	57100-90L40	SHAFT ASSY, DRIVE (S)	1	W/TRANSOM(S)
1-2	57100-90L30	SHAFT ASSY, DRIVE (L)	1	W/TRANSOM(L)
2	08110-60020	.BEARING	1	
3	09380-15001	.SNAP RING	1	
4	09160-20027	WASHER (20X35X2.75)	1	
5-1	09181-20251	SHIM (T:1.0)	1	
5-2	09160-20042	SHIM (T:1.1)	1	
5-3	09160-20043	SHIM (T:1.2)	1	
5-4	09160-20044	SHIM (T:1.3)	1	
5-5	09181-20244	SHIM (T:0.7)	1	
5-6	09181-20246	SHIM (T:0.8)	1	
5-7	09181-20248	SHIM (T:0.9)	1	
6	09160-21009	WASHER (21X35X2.75)	1	
7	09263-20L04	BEARING (20X35X4.5)	1	
8	57311-99J10	PINION	1	
9	57510-99J10	GEAR, FORWARD (NT:25)	1	
10	57521-99J10	GEAR, REVERSE (NT:25)	1	
11-1	09160-17024	WASHER (T:1.1)	1	REV
11-2	09160-17039	WASHER (T:1.2)	1	REV
11-3	09160-17025	WASHER (T:1.3)	1	REV
11-4	09160-17040	WASHER (T:1.4)	1	REV
11-5	09160-17026	WASHER (T:1.5)	1	REV
11-6	09160-17041	WASHER (T:1.6)	1	REV
11-7	09160-17027	WASHER (T:1.7)	1	REV
11-8	09160-17042	WASHER (T:1.8)	1	REV
11-9	09160-17028	WASHER (T:1.9)	1	REV
12-1	09181-25160	SHIM (T:0.7)	2	
12-2	09181-25162	SHIM (T:0.8)	2	
12-3	09181-25164	SHIM (T:0.9)	2	
12-4	09160-25040	WASHER (T:1.0)	2	
12-5	09160-25041	WASHER (T:1.1)	2	
12-6	09160-25042	WASHER (T:1.2)	2	
12-7	09181-25181	SHIM (T:1.3)	2	
13	09181-15241	WASHER (15X22X2)	1	FWD

FIG.81

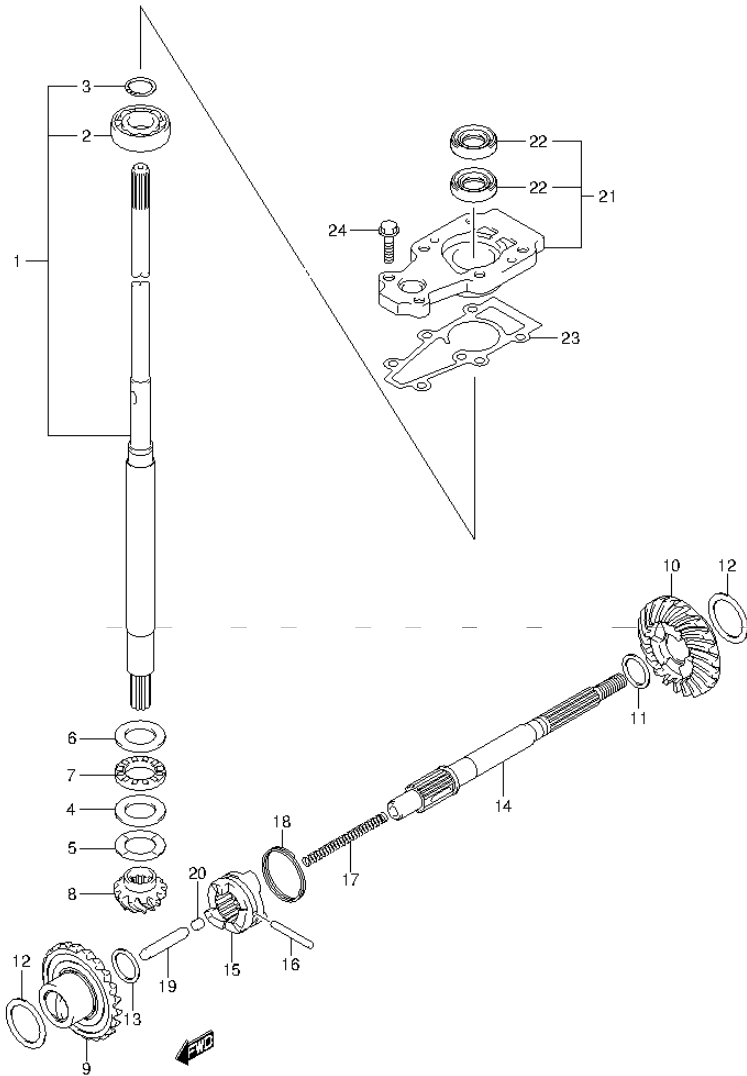


FIG.81 (1-G-14) TRANSMISSION (DF9.9B P01)

REF NO.	PART NO.	DESCRIPTION	Q'TY	REMARKS
14	57610-99JL0	SHAFT, PROPELLER	1	
15	57621-99J11	SHIFTER, CLUTCH DOG	1	
16	09202-04025	PIN (4X31)	1	
17	59441-94J00	SPRING, RETURN	1	
18	59441-99J00	SPRING, DOG	1	
19	57631-93901	ROD, PUSH	1	
20	57632-98501	PIN (6X6)	1	
21	56130-99J30	HOUSING, DRIVE SHAFT	1	
22	09282-13L01	.OIL SEAL (12.5X25X7)	2	
23	56132-99J10	GASKET, DRIVE SHAFT BRG HSG	1	
24	09116-06229	BOLT (6X25)	2	

FIG.82

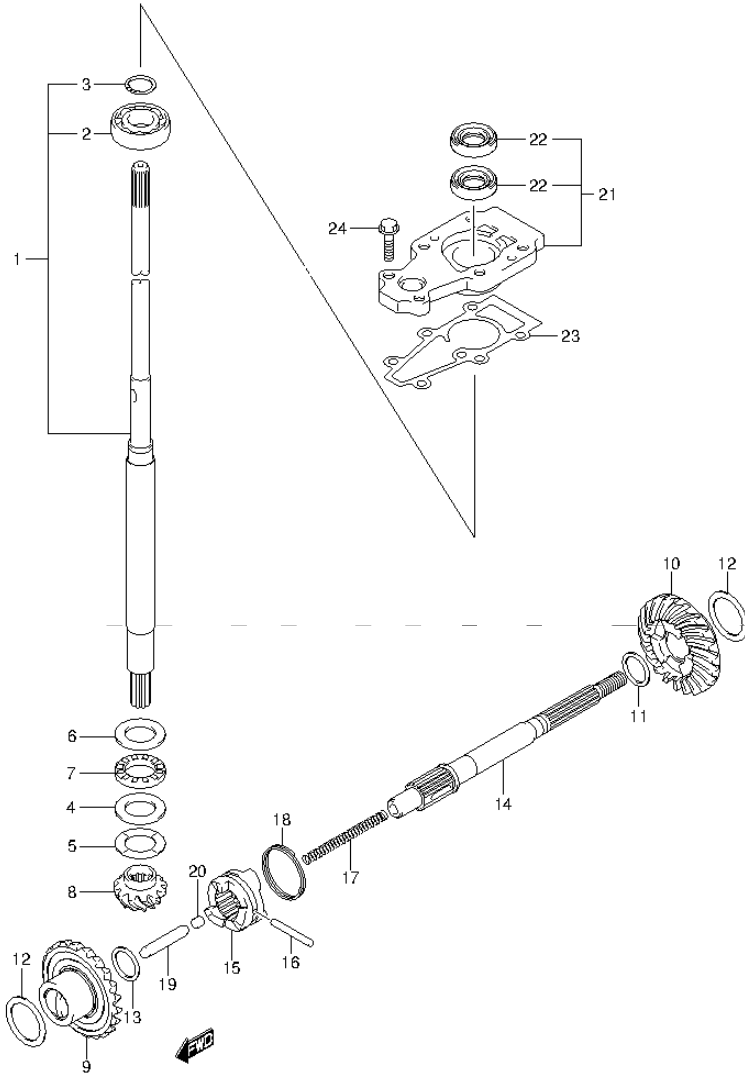


FIG.82 (1-G-15) TRANSMISSION (DF9.9BR P01)

REF NO.	PART NO.	DESCRIPTION	Q'TY	REMARKS
1-1	57100-90L40	SHAFT ASSY, DRIVE (S)	1	W/TRANSOM(S)
1-2	57100-90L30	SHAFT ASSY, DRIVE (L)	1	W/TRANSOM(L)
2	08110-60020	.BEARING	1	
3	09380-15001	.SNAP RING	1	
4	09160-20027	WASHER (20X35X2.75)	1	
5-1	09181-20251	SHIM (T:1.0)	1	
5-2	09160-20042	SHIM (T:1.1)	1	
5-3	09160-20043	SHIM (T:1.2)	1	
5-4	09160-20044	SHIM (T:1.3)	1	
5-5	09181-20244	SHIM (T:0.7)	1	
5-6	09181-20246	SHIM (T:0.8)	1	
5-7	09181-20248	SHIM (T:0.9)	1	
6	09160-21009	WASHER (21X35X2.75)	1	
7	09263-20L04	BEARING (20X35X4.5)	1	
8	57311-99J10	PINION	1	
9	57510-99J10	GEAR, FORWARD (NT:25)	1	
10	57521-99J10	GEAR, REVERSE (NT:25)	1	
11-1	09160-17024	WASHER (T:1.1)	1	REV
11-2	09160-17039	WASHER (T:1.2)	1	REV
11-3	09160-17025	WASHER (T:1.3)	1	REV
11-4	09160-17040	WASHER (T:1.4)	1	REV
11-5	09160-17026	WASHER (T:1.5)	1	REV
11-6	09160-17041	WASHER (T:1.6)	1	REV
11-7	09160-17027	WASHER (T:1.7)	1	REV
11-8	09160-17042	WASHER (T:1.8)	1	REV
11-9	09160-17028	WASHER (T:1.9)	1	REV
12-1	09181-25160	SHIM (T:0.7)	2	
12-2	09181-25162	SHIM (T:0.8)	2	
12-3	09181-25164	SHIM (T:0.9)	2	
12-4	09160-25040	WASHER (T:1.0)	2	
12-5	09160-25041	WASHER (T:1.1)	2	
12-6	09160-25042	WASHER (T:1.2)	2	
12-7	09181-25181	SHIM (T:1.3)	2	
13	09181-15241	WASHER (15X22X2)	1	FWD

FIG.82

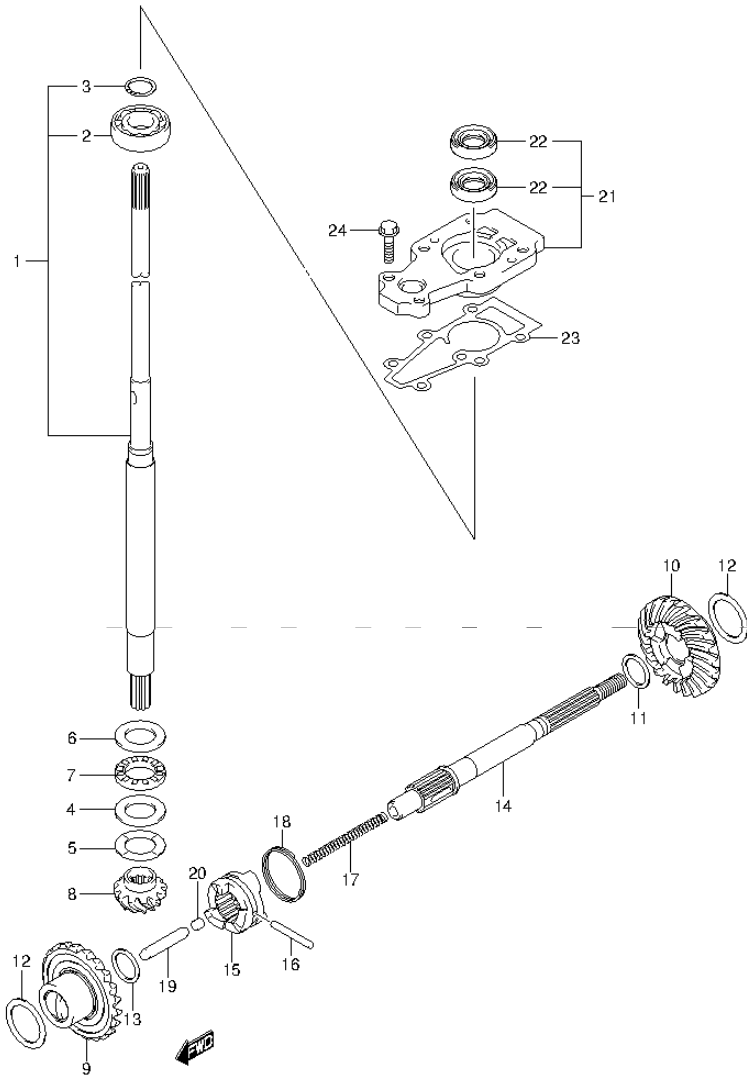


FIG.82 (1-H-2) TRANSMISSION (DF9.9BR P01)

REF NO.	PART NO.	DESCRIPTION	Q'TY	REMARKS
14	57610-99JL0	SHAFT, PROPELLER	1	
15	57621-99J11	SHIFTER, CLUTCH DOG	1	
16	09202-04025	PIN (4X31)	1	
17	59441-94J00	SPRING, RETURN	1	
18	59441-99J00	SPRING, DOG	1	
19	57631-93901	ROD, PUSH	1	
20	57632-98501	PIN (6X6)	1	
21	56130-99J30	HOUSING, DRIVE SHAFT	1	
22	09282-13L01	.OIL SEAL (12.5X25X7)	2	
23	56132-99J10	GASKET, DRIVE SHAFT BRG HSG	1	
24	09116-06229	BOLT (6X25)	2	

FIG.83

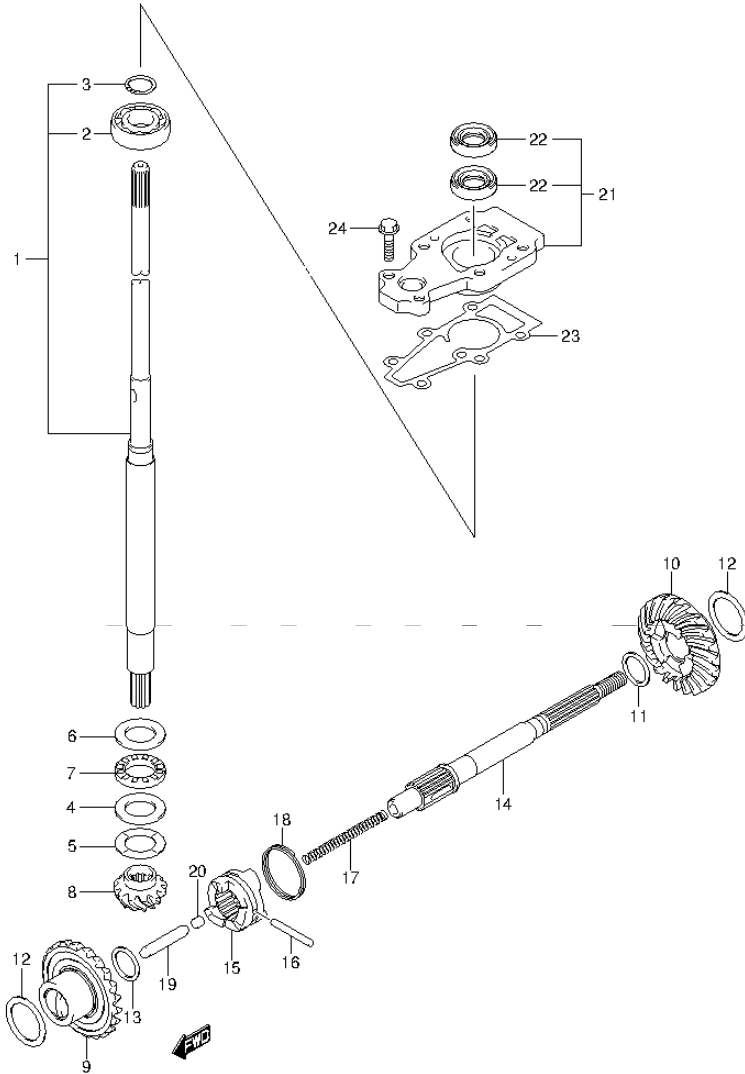


FIG.83 (1-H-3) TRANSMISSION (DF9.9BT P01)

REF NO.	PART NO.	DESCRIPTION	Q'TY	REMARKS
1-1	57100-90L40	SHAFT ASSY, DRIVE (S)	1	W/TRANSOM(S)
1-2	57100-90L30	SHAFT ASSY, DRIVE (L)	1	W/TRANSOM(L)
2	08110-60020	.BEARING	1	
3	09380-15001	.SNAP RING	1	
4	09160-20027	WASHER (20X35X2.75)	1	
5-1	09181-20251	SHIM (T:1.0)	1	
5-2	09160-20042	SHIM (T:1.1)	1	
5-3	09160-20043	SHIM (T:1.2)	1	
5-4	09160-20044	SHIM (T:1.3)	1	
5-5	09181-20244	SHIM (T:0.7)	1	
5-6	09181-20246	SHIM (T:0.8)	1	
5-7	09181-20248	SHIM (T:0.9)	1	
6	09160-21009	WASHER (21X35X2.75)	1	
7	09263-20L04	BEARING (20X35X4.5)	1	
8	57311-99J10	PINION	1	
9	57510-99J10	GEAR, FORWARD (NT:25)	1	
10	57521-99J10	GEAR, REVERSE (NT:25)	1	
11-1	09160-17053	WASHER (T:1.1)	1	REV
11-2	09160-17054	WASHER (T:1.2)	1	REV
11-3	09160-17055	WASHER (T:1.3)	1	REV
11-4	09160-17056	WASHER (T:1.4)	1	REV
11-5	09160-17057	WASHER (T:1.5)	1	REV
11-6	09160-17058	WASHER (T:1.6)	1	REV
11-7	09160-17059	WASHER (T:1.7)	1	REV
11-8	09160-17060	WASHER (T:1.8)	1	REV
11-9	09160-17061	WASHER (T:1.9)	1	REV
12-1	09181-25160	SHIM (T:0.7)	2	
12-2	09181-25162	SHIM (T:0.8)	2	
12-3	09181-25164	SHIM (T:0.9)	2	
12-4	09160-25040	WASHER (T:1.0)	2	
12-5	09160-25041	WASHER (T:1.1)	2	
12-6	09160-25042	WASHER (T:1.2)	2	
12-7	09181-25181	SHIM (T:1.3)	2	
13	09181-15241	WASHER (15X22X2)	1	FWD

FIG.83

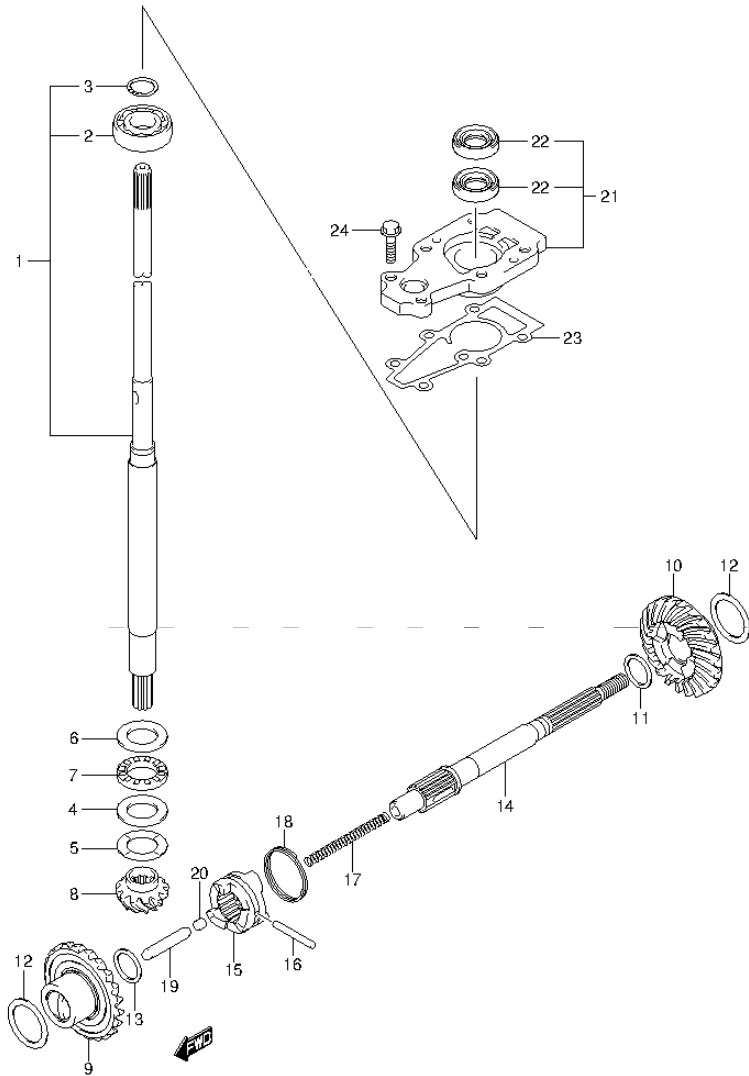


FIG.83 (1-H-4) TRANSMISSION (DF9.9BT P01)

REF NO.	PART NO.	DESCRIPTION	Q'TY	REMARKS
14	57610-99JL0	SHAFT, PROPELLER	1	
15	57621-99J11	SHIFTER, CLUTCH DOG	1	
16	09202-04025	PIN (4X31)	1	
17	59441-94J00	SPRING, RETURN	1	
18	59441-99J00	SPRING, DOG	1	
19	57631-93901	ROD, PUSH	1	
20	57632-98501	PIN (6X6)	1	
21	56130-99J30	HOUSING, DRIVE SHAFT	1	
22	09282-13L01	.OIL SEAL (12.5X25X7)	2	
23	56132-99J10	GASKET, DRIVE SHAFT BRG HSG	1	
24	09116-06229	BOLT (6X25)	2	

FIG.84

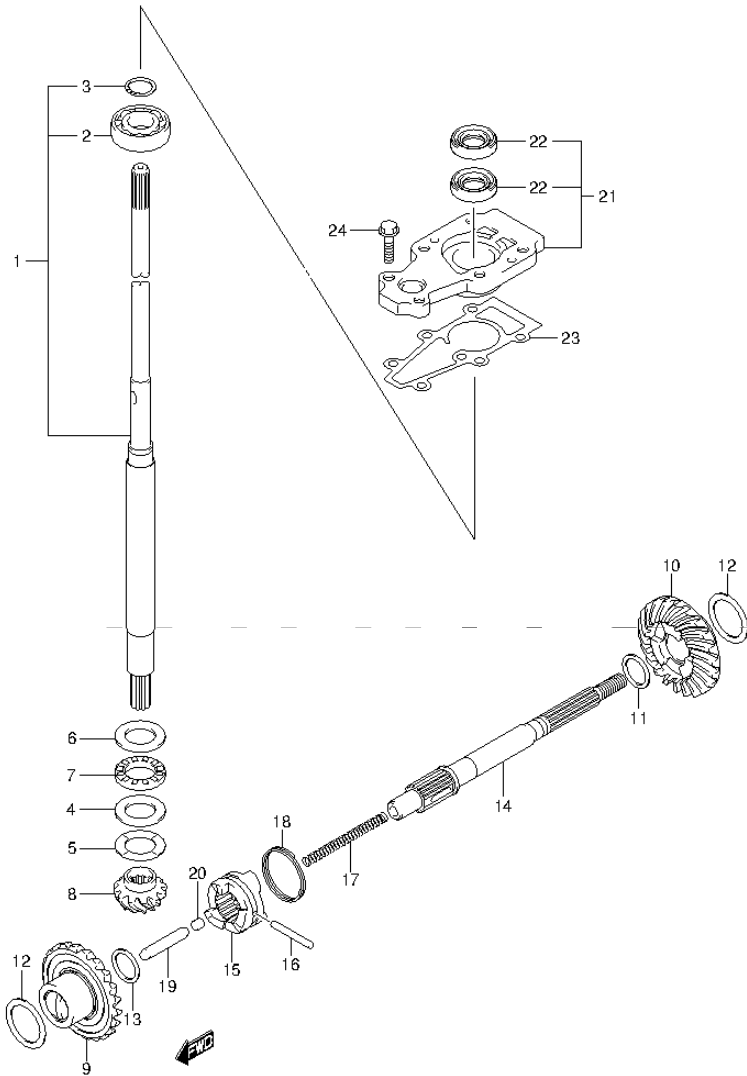


FIG.84 (1-H-6) TRANSMISSION (DF15A P01)

REF NO.	PART NO.	DESCRIPTION	Q'TY	REMARKS
14	57610-99JL0	SHAFT, PROPELLER	1	
15	57621-99J11	SHIFTER, CLUTCH DOG	1	
16	09202-04025	PIN (4X31)	1	
17	59441-94J00	SPRING, RETURN	1	
18	59441-99J00	SPRING, DOG	1	
19	57631-93901	ROD, PUSH	1	
20	57632-98501	PIN (6X6)	1	
21	56130-99J30	HOUSING, DRIVE SHAFT	1	
22	09282-13L01	.OIL SEAL (12.5X25X7)	2	
23	56132-99J10	GASKET, DRIVE SHAFT BRG HSG	1	
24	09116-06229	BOLT (6X25)	2	

FIG.85

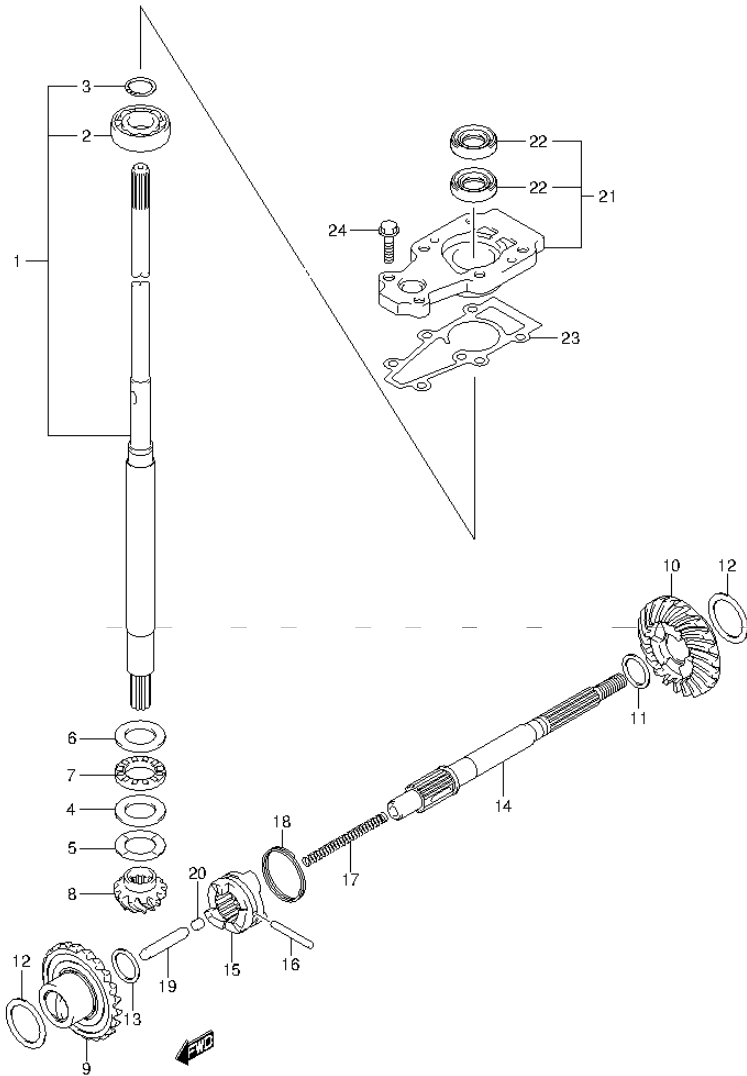


FIG.85 (1-H-8) TRANSMISSION (DF15AR P01)

REF NO.	PART NO.	DESCRIPTION	Q'TY	REMARKS
14	57610-99JL0	SHAFT, PROPELLER	1	
15	57621-99J11	SHIFTER, CLUTCH DOG	1	
16	09202-04025	PIN (4X31)	1	
17	59441-94J00	SPRING, RETURN	1	
18	59441-99J00	SPRING, DOG	1	
19	57631-93901	ROD, PUSH	1	
20	57632-98501	PIN (6X6)	1	
21	56130-99J30	HOUSING, DRIVE SHAFT	1	
22	09282-13L01	.OIL SEAL (12.5X25X7)	2	
23	56132-99J10	GASKET, DRIVE SHAFT BRG HSG	1	
24	09116-06229	BOLT (6X25)	2	

FIG.86

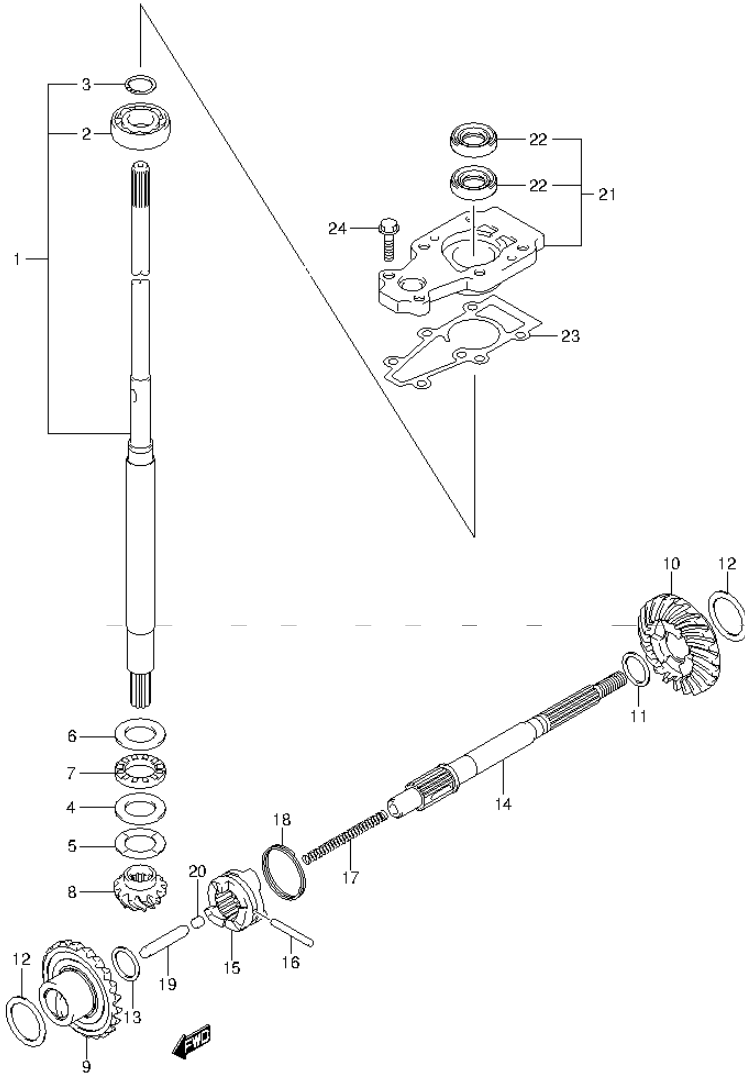


FIG.86 (1-H-9) TRANSMISSION (DF15ATH P01)

REF NO.	PART NO.	DESCRIPTION	Q'TY	REMARKS
1-1	57100-90L40	SHAFT ASSY, DRIVE (S)	1	W/TRANSOM(S)
1-2	57100-90L30	SHAFT ASSY, DRIVE (L)	1	W/TRANSOM(L)
2	08110-60020	.BEARING	1	
3	09380-15001	.SNAP RING	1	
4	09160-20027	WASHER (20X35X2.75)	1	
5-1	09181-20251	SHIM (T:1.0)	1	
5-2	09160-20042	SHIM (T:1.1)	1	
5-3	09160-20043	SHIM (T:1.2)	1	
5-4	09160-20044	SHIM (T:1.3)	1	
5-5	09181-20244	SHIM (T:0.7)	1	
5-6	09181-20246	SHIM (T:0.8)	1	
5-7	09181-20248	SHIM (T:0.9)	1	
6	09160-21009	WASHER (21X35X2.75)	1	
7	09263-20L04	BEARING (20X35X4.5)	1	
8	57311-99J10	PINION	1	
9	57510-99J10	GEAR, FORWARD (NT:25)	1	
10	57521-99J10	GEAR, REVERSE (NT:25)	1	
11-1	09160-17053	WASHER (T:1.1)	1	REV
11-2	09160-17054	WASHER (T:1.2)	1	REV
11-3	09160-17055	WASHER (T:1.3)	1	REV
11-4	09160-17056	WASHER (T:1.4)	1	REV
11-5	09160-17057	WASHER (T:1.5)	1	REV
11-6	09160-17058	WASHER (T:1.6)	1	REV
11-7	09160-17059	WASHER (T:1.7)	1	REV
11-8	09160-17060	WASHER (T:1.8)	1	REV
11-9	09160-17061	WASHER (T:1.9)	1	REV
12-1	09181-25160	SHIM (T:0.7)	2	
12-2	09181-25162	SHIM (T:0.8)	2	
12-3	09181-25164	SHIM (T:0.9)	2	
12-4	09160-25040	WASHER (T:1.0)	2	
12-5	09160-25041	WASHER (T:1.1)	2	
12-6	09160-25042	WASHER (T:1.2)	2	
12-7	09181-25181	SHIM (T:1.3)	2	
13	09181-15241	WASHER (15X22X2)	1	FWD

FIG.86

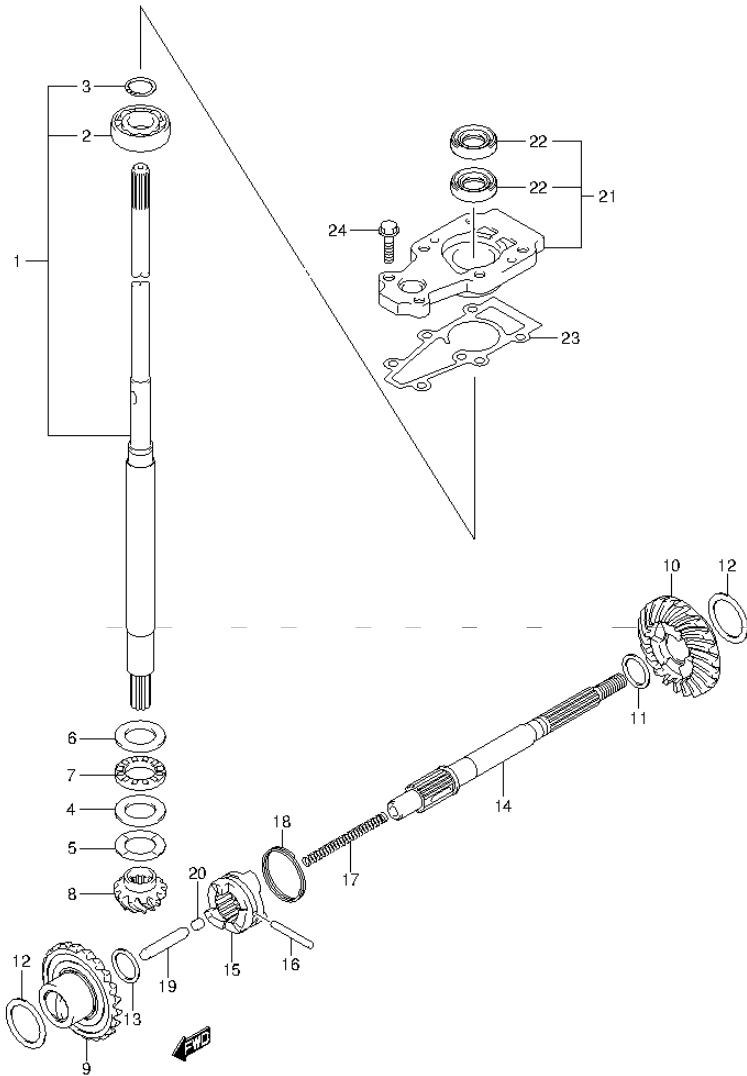


FIG.86 (1-H-10) TRANSMISSION (DF15ATH P01)

REF NO.	PART NO.	DESCRIPTION	Q'TY	REMARKS
14	57610-99JL0	SHAFT, PROPELLER	1	
15	57621-99J11	SHIFTER, CLUTCH DOG	1	
16	09202-04025	PIN (4X31)	1	
17	59441-94J00	SPRING, RETURN	1	
18	59441-99J00	SPRING, DOG	1	
19	57631-93901	ROD, PUSH	1	
20	57632-98501	PIN (6X6)	1	
21	56130-99J30	HOUSING, DRIVE SHAFT	1	
22	09282-13L01	.OIL SEAL (12.5X25X7)	2	
23	56132-99J10	GASKET, DRIVE SHAFT BRG HSG	1	
24	09116-06229	BOLT (6X25)	2	

FIG.87

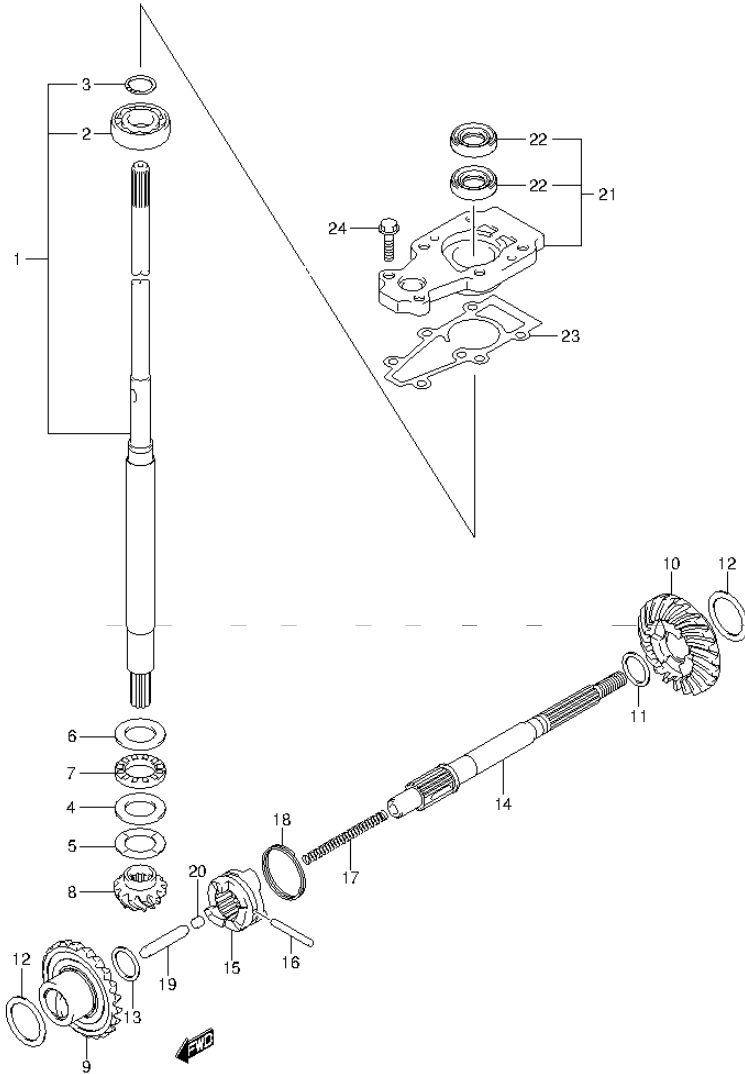


FIG.87 (1-H-11) TRANSMISSION (DF20A P01)

REF NO.	PART NO.	DESCRIPTION	Q'TY	REMARKS
1-1	57100-90L40	SHAFT ASSY, DRIVE (S)	1	W/TRANSOM(S)
1-2	57100-90L30	SHAFT ASSY, DRIVE (L)	1	W/TRANSOM(L)
2	08110-60020	.BEARING	1	
3	09380-15001	.SNAP RING	1	
4	09160-20027	WASHER (20X35X2.75)	1	
5-1	09181-20251	SHIM (T:1.0)	1	
5-2	09160-20042	SHIM (T:1.1)	1	
5-3	09160-20043	SHIM (T:1.2)	1	
5-4	09160-20044	SHIM (T:1.3)	1	
5-5	09181-20244	SHIM (T:0.7)	1	
5-6	09181-20246	SHIM (T:0.8)	1	
5-7	09181-20248	SHIM (T:0.9)	1	
6	09160-21009	WASHER (21X35X2.75)	1	
7	09263-20L04	BEARING (20X35X4.5)	1	
8	57311-99J10	PINION	1	
9	57510-99J10	GEAR, FORWARD (NT:25)	1	
10	57521-99J10	GEAR, REVERSE (NT:25)	1	
11-1	09160-17024	WASHER (T:1.1)	1	REV
11-2	09160-17039	WASHER (T:1.2)	1	REV
11-3	09160-17025	WASHER (T:1.3)	1	REV
11-4	09160-17040	WASHER (T:1.4)	1	REV
11-5	09160-17026	WASHER (T:1.5)	1	REV
11-6	09160-17041	WASHER (T:1.6)	1	REV
11-7	09160-17027	WASHER (T:1.7)	1	REV
11-8	09160-17042	WASHER (T:1.8)	1	REV
11-9	09160-17028	WASHER (T:1.9)	1	REV
12-1	09181-25160	SHIM (T:0.7)	2	
12-2	09181-25162	SHIM (T:0.8)	2	
12-3	09181-25164	SHIM (T:0.9)	2	
12-4	09160-25040	WASHER (T:1.0)	2	
12-5	09160-25041	WASHER (T:1.1)	2	
12-6	09160-25042	WASHER (T:1.2)	2	
12-7	09181-25181	SHIM (T:1.3)	2	
13	09181-15241	WASHER (15X22X2)	1	FWD

FIG.87

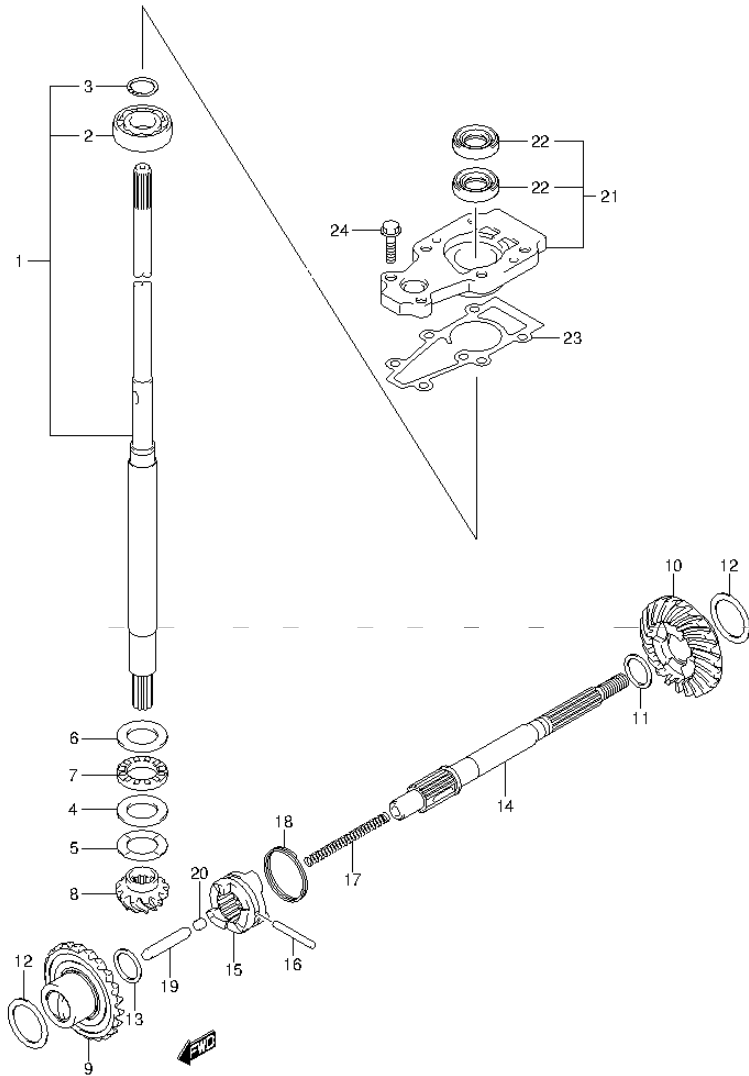


FIG.87 (1-H-12) TRANSMISSION (DF20A P01)

REF NO.	PART NO.	DESCRIPTION	Q'TY	REMARKS
14	57610-99JL0	SHAFT, PROPELLER	1	
15	57621-99J11	SHIFTER, CLUTCH DOG	1	
16	09202-04025	PIN (4X31)	1	
17	59441-94J00	SPRING, RETURN	1	
18	59441-99J00	SPRING, DOG	1	
19	57631-93901	ROD, PUSH	1	
20	57632-98501	PIN (6X6)	1	
21	56130-99J30	HOUSING, DRIVE SHAFT	1	
22	09282-13L01	.OIL SEAL (12.5X25X7)	2	
23	56132-99J10	GASKET, DRIVE SHAFT BRG HSG	1	
24	09116-06229	BOLT (6X25)	2	

FIG.88

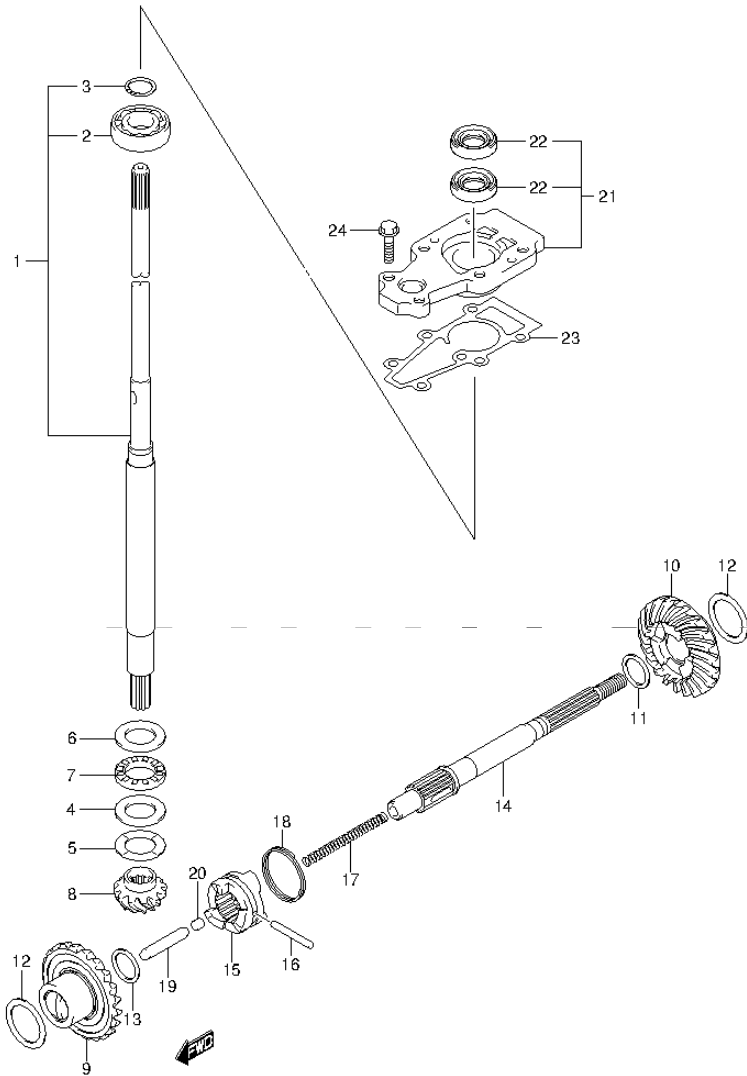


FIG.88 (1-H-14) TRANSMISSION (DF20A P40)

REF NO.	PART NO.	DESCRIPTION	Q'TY	REMARKS
14	57610-99JL0	SHAFT, PROPELLER	1	
15	57621-99J11	SHIFTER, CLUTCH DOG	1	
16	09202-04025	PIN (4X31)	1	
17	59441-94J00	SPRING, RETURN	1	
18	59441-99J00	SPRING, DOG	1	
19	57631-93901	ROD, PUSH	1	
20	57632-98501	PIN (6X6)	1	
21	56130-99J30	HOUSING, DRIVE SHAFT	1	
22	09282-13L01	.OIL SEAL (12.5X25X7)	2	
23	56132-99J10	GASKET, DRIVE SHAFT BRG HSG	1	
24	09116-06229	BOLT (6X25)	2	

FIG.89

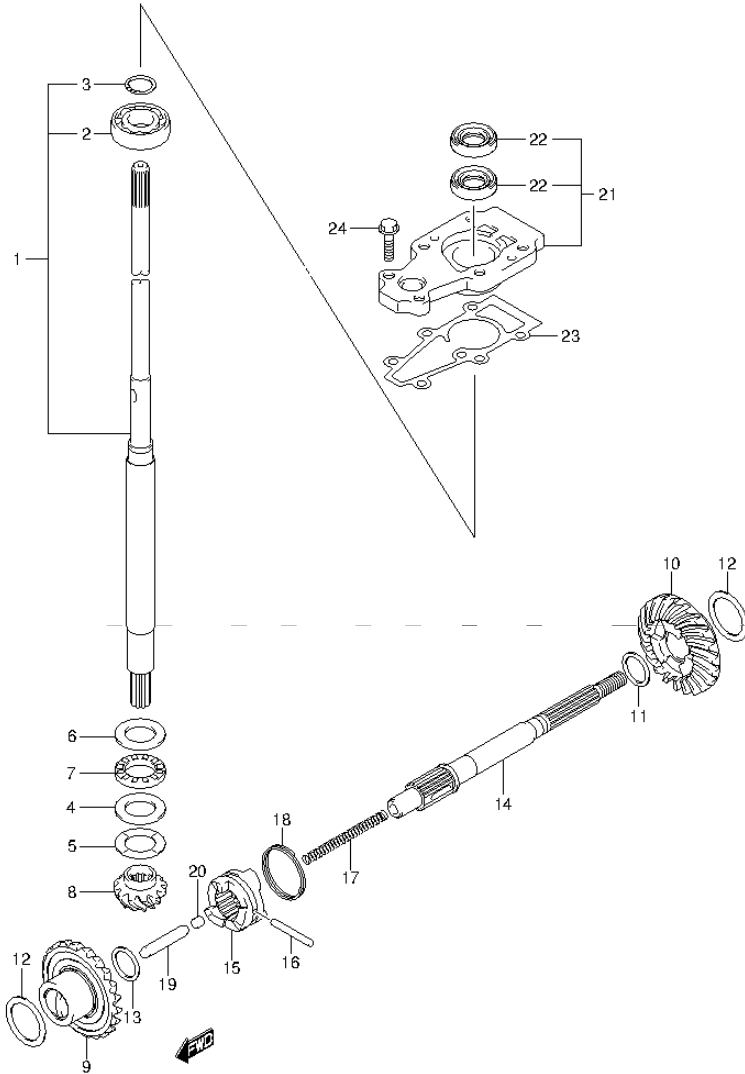


FIG.89 (1-H-15) TRANSMISSION (DF20AR P01)

REF NO.	PART NO.	DESCRIPTION	Q'TY	REMARKS
1-1	57100-90L40	SHAFT ASSY, DRIVE (S)	1	W/TRANSOM(S)
1-2	57100-90L30	SHAFT ASSY, DRIVE (L)	1	W/TRANSOM(L)
2	08110-60020	.BEARING	1	
3	09380-15001	.SNAP RING	1	
4	09160-20027	WASHER (20X35X2.75)	1	
5-1	09181-20251	SHIM (T:1.0)	1	
5-2	09160-20042	SHIM (T:1.1)	1	
5-3	09160-20043	SHIM (T:1.2)	1	
5-4	09160-20044	SHIM (T:1.3)	1	
5-5	09181-20244	SHIM (T:0.7)	1	
5-6	09181-20246	SHIM (T:0.8)	1	
5-7	09181-20248	SHIM (T:0.9)	1	
6	09160-21009	WASHER (21X35X2.75)	1	
7	09263-20L04	BEARING (20X35X4.5)	1	
8	57311-99J10	PINION	1	
9	57510-99J10	GEAR, FORWARD (NT:25)	1	
10	57521-99J10	GEAR, REVERSE (NT:25)	1	
11-1	09160-17024	WASHER (T:1.1)	1	REV
11-2	09160-17039	WASHER (T:1.2)	1	REV
11-3	09160-17025	WASHER (T:1.3)	1	REV
11-4	09160-17040	WASHER (T:1.4)	1	REV
11-5	09160-17026	WASHER (T:1.5)	1	REV
11-6	09160-17041	WASHER (T:1.6)	1	REV
11-7	09160-17027	WASHER (T:1.7)	1	REV
11-8	09160-17042	WASHER (T:1.8)	1	REV
11-9	09160-17028	WASHER (T:1.9)	1	REV
12-1	09181-25160	SHIM (T:0.7)	2	
12-2	09181-25162	SHIM (T:0.8)	2	
12-3	09181-25164	SHIM (T:0.9)	2	
12-4	09160-25040	WASHER (T:1.0)	2	
12-5	09160-25041	WASHER (T:1.1)	2	
12-6	09160-25042	WASHER (T:1.2)	2	
12-7	09181-25181	SHIM (T:1.3)	2	
13	09181-15241	WASHER (15X22X2)	1	FWD

FIG.89

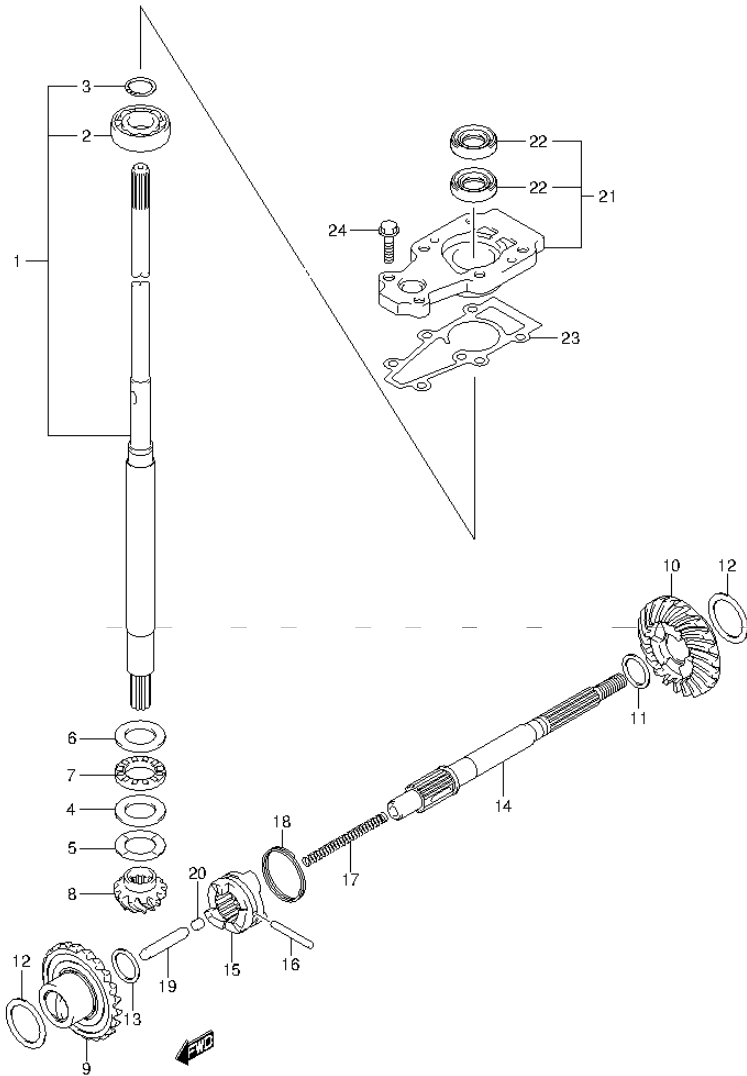


FIG.89 (1-1-2) TRANSMISSION (DF20AR P01)

REF NO.	PART NO.	DESCRIPTION	Q'TY	REMARKS
14	57610-99JL0	SHAFT, PROPELLER	1	
15	57621-99J11	SHIFTER, CLUTCH DOG	1	
16	09202-04025	PIN (4X31)	1	
17	59441-94J00	SPRING, RETURN	1	
18	59441-99J00	SPRING, DOG	1	
19	57631-93901	ROD, PUSH	1	
20	57632-98501	PIN (6X6)	1	
21	56130-99J30	HOUSING, DRIVE SHAFT	1	
22	09282-13L01	.OIL SEAL (12.5X25X7)	2	
23	56132-99J10	GASKET, DRIVE SHAFT BRG HSG	1	
24	09116-06229	BOLT (6X25)	2	

FIG.90

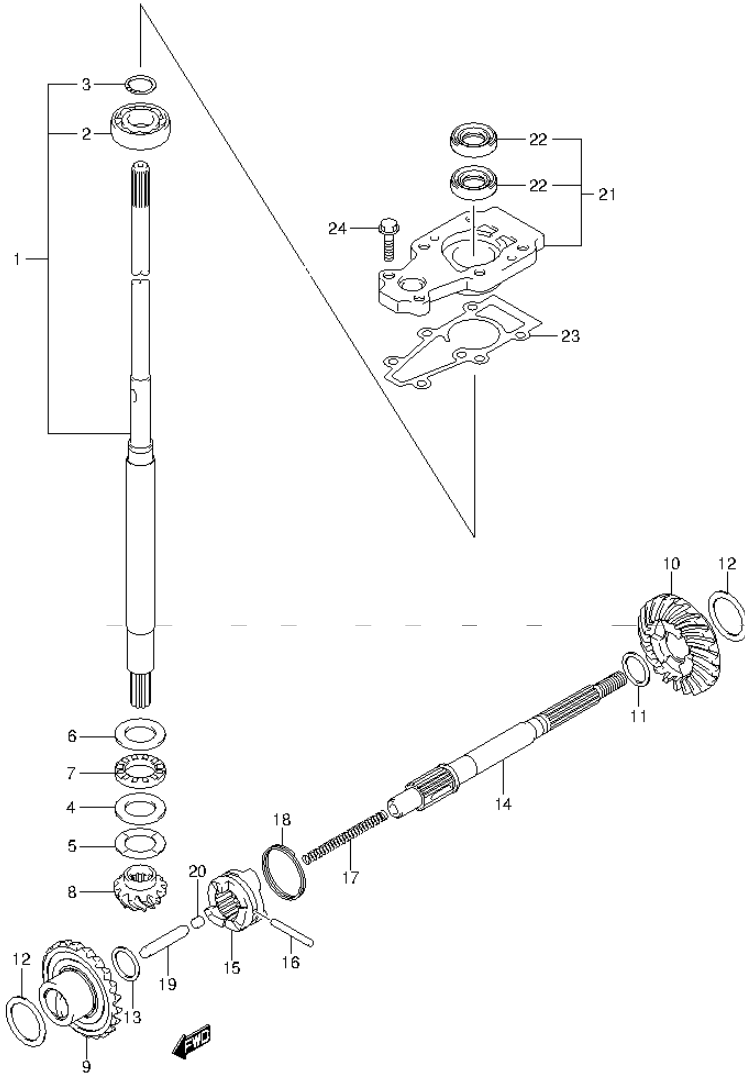


FIG.90 (1-1-3) TRANSMISSION (DF20AT P01)

REF NO.	PART NO.	DESCRIPTION	Q'TY	REMARKS
1-1	57100-90L40	SHAFT ASSY, DRIVE (S)	1	W/TRANSOM(S)
1-2	57100-90L30	SHAFT ASSY, DRIVE (L)	1	W/TRANSOM(L)
2	08110-60020	.BEARING	1	
3	09380-15001	.SNAP RING	1	
4	09160-20027	WASHER (20X35X2.75)	1	
5-1	09181-20251	SHIM (T:1.0)	1	
5-2	09160-20042	SHIM (T:1.1)	1	
5-3	09160-20043	SHIM (T:1.2)	1	
5-4	09160-20044	SHIM (T:1.3)	1	
5-5	09181-20244	SHIM (T:0.7)	1	
5-6	09181-20246	SHIM (T:0.8)	1	
5-7	09181-20248	SHIM (T:0.9)	1	
6	09160-21009	WASHER (21X35X2.75)	1	
7	09263-20L04	BEARING (20X35X4.5)	1	
8	57311-99J10	PINION	1	
9	57510-99J10	GEAR, FORWARD (NT:25)	1	
10	57521-99J10	GEAR, REVERSE (NT:25)	1	
11-1	09160-17053	WASHER (T:1.1)	1	REV
11-2	09160-17054	WASHER (T:1.2)	1	REV
11-3	09160-17055	WASHER (T:1.3)	1	REV
11-4	09160-17056	WASHER (T:1.4)	1	REV
11-5	09160-17057	WASHER (T:1.5)	1	REV
11-6	09160-17058	WASHER (T:1.6)	1	REV
11-7	09160-17059	WASHER (T:1.7)	1	REV
11-8	09160-17060	WASHER (T:1.8)	1	REV
11-9	09160-17061	WASHER (T:1.9)	1	REV
12-1	09181-25160	SHIM (T:0.7)	2	
12-2	09181-25162	SHIM (T:0.8)	2	
12-3	09181-25164	SHIM (T:0.9)	2	
12-4	09160-25040	WASHER (T:1.0)	2	
12-5	09160-25041	WASHER (T:1.1)	2	
12-6	09160-25042	WASHER (T:1.2)	2	
12-7	09181-25181	SHIM (T:1.3)	2	
13	09181-15241	WASHER (15X22X2)	1	FWD

FIG.90

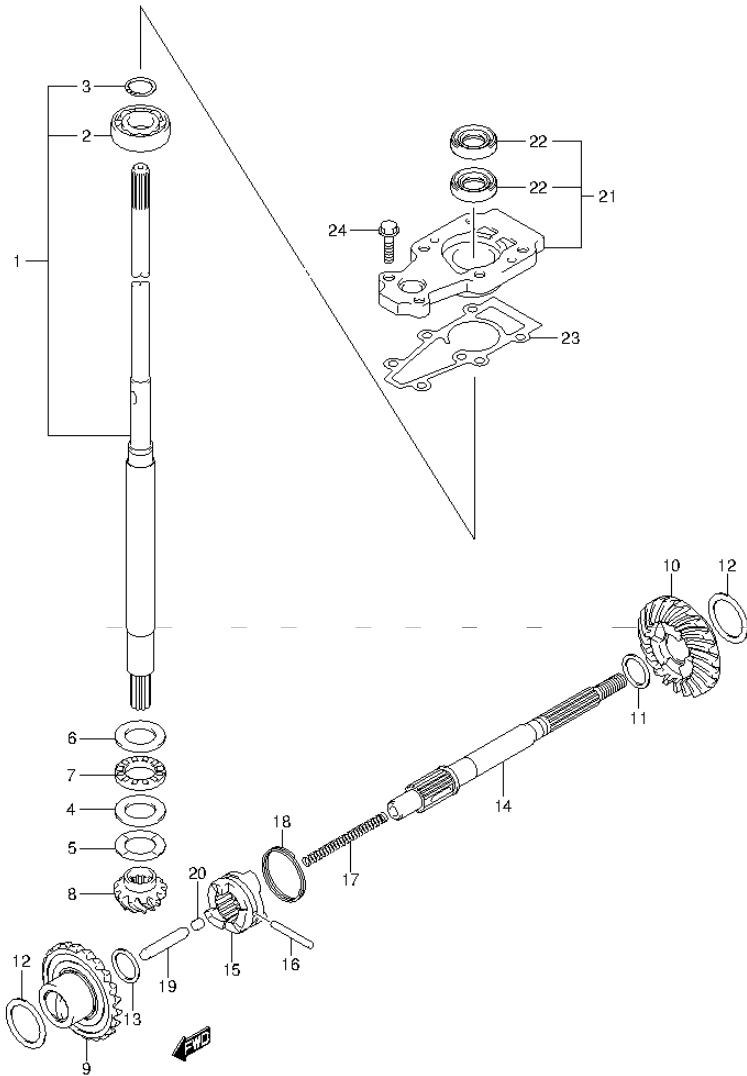


FIG.90 (1-I-4) TRANSMISSION (DF20AT P01)

REF NO.	PART NO.	DESCRIPTION	Q'TY	REMARKS
14	57610-99JL0	SHAFT, PROPELLER	1	
15	57621-99J11	SHIFTER, CLUTCH DOG	1	
16	09202-04025	PIN (4X31)	1	
17	59441-94J00	SPRING, RETURN	1	
18	59441-99J00	SPRING, DOG	1	
19	57631-93901	ROD, PUSH	1	
20	57632-98501	PIN (6X6)	1	
21	56130-99J30	HOUSING, DRIVE SHAFT	1	
22	09282-13L01	.OIL SEAL (12.5X25X7)	2	
23	56132-99J10	GASKET, DRIVE SHAFT BRG HSG	1	
24	09116-06229	BOLT (6X25)	2	

FIG.91

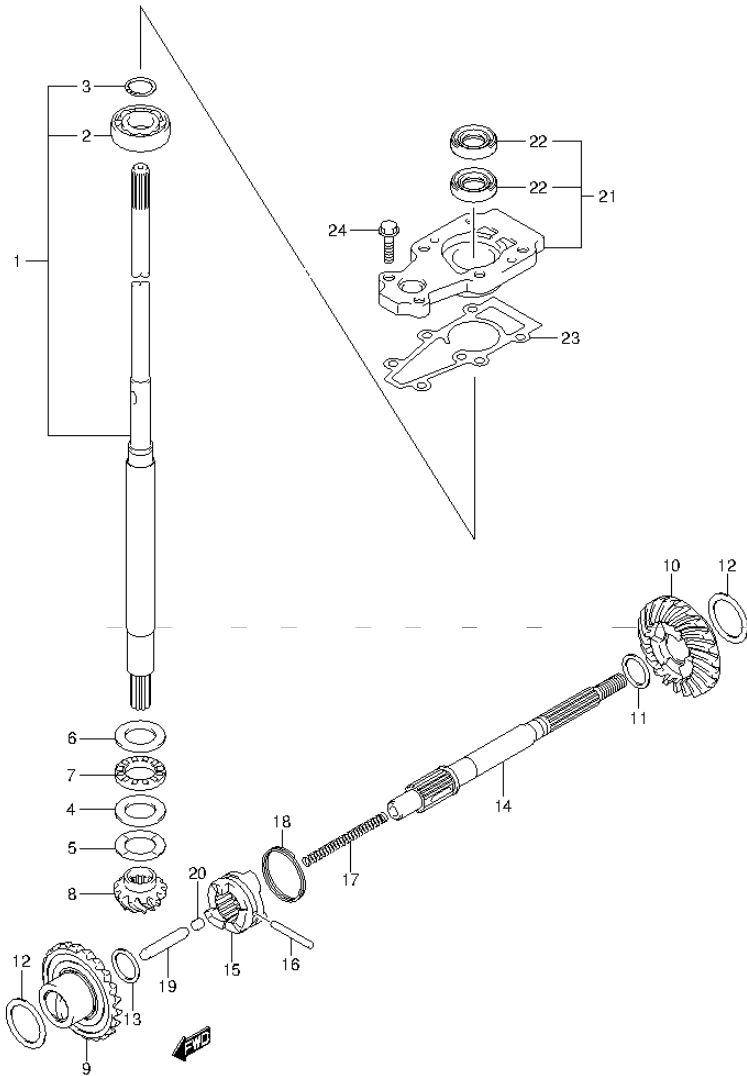


FIG.91 (1-I-6) TRANSMISSION (DF20ATH P01)

REF NO.	PART NO.	DESCRIPTION	Q'TY	REMARKS
14	57610-99JL0	SHAFT, PROPELLER	1	
15	57621-99J11	SHIFTER, CLUTCH DOG	1	
16	09202-04025	PIN (4X31)	1	
17	59441-94J00	SPRING, RETURN	1	
18	59441-99J00	SPRING, DOG	1	
19	57631-93901	ROD, PUSH	1	
20	57632-98501	PIN (6X6)	1	
21	56130-99J30	HOUSING, DRIVE SHAFT	1	
22	09282-13L01	.OIL SEAL (12.5X25X7)	2	
23	56132-99J10	GASKET, DRIVE SHAFT BRG HSG	1	
24	09116-06229	BOLT (6X25)	2	

FIG.92

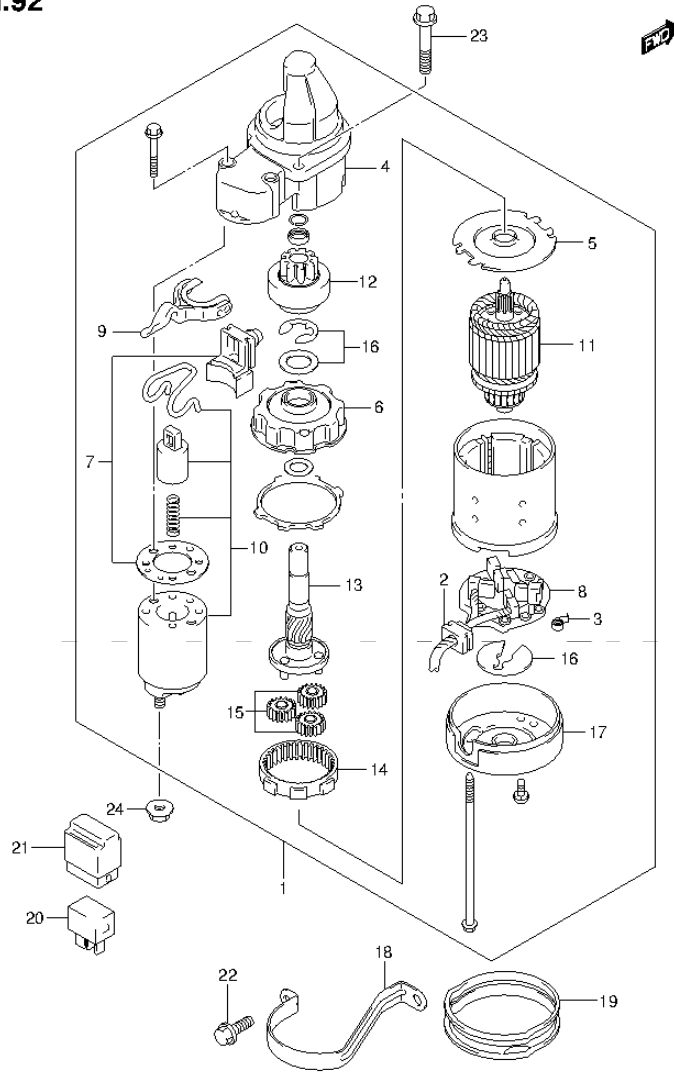


FIG.92 (1-I-7) STARTING MOTOR (ELECTRIC STARTER)

REF NO.	PART NO.	DESCRIPTION	Q'TY	REMARKS
1	31100-94J21	STARTING MOTOR	1	
2	31131-94J00	.BRUSH SET, PLUS	1	
3	31135-90J00	.SPRING	4	
4	31151-94J00	.CASE, GEAR	1	
5	31152-90J00	.PLATE, CENTER	1	
6	31153-90J00	.BRACKET, PLANET GEAR	1	
7	31171-96J00	.COVER KIT, DUST	1	
8	31173-94J00	.HOLDER ASSY, BRUSH	1	
9	31191-96J00	.LEVER, SHIFT	1	
10	31220-94J00	.SWITCH, MAGNET	1	
11	31310-90J00	.ARMATURE	1	
12	31320-94J00	.PINION	1	
13	31341-94J00	.SHAFT, PINION	1	
14	31343-90J00	.INTERNAL GEAR	1	
15	31344-90J00	.GEAR, PLANETARY	3	
16	31360-93J01	.WASHER SET	1	
17	31170-94J00	.COVER ASSY, STATER MOTOR REAR	1	
18	31912-89L00	BAND, STARTING MOTOR	1	
19	31918-94J00	DAMPER, LOWER	1	
20	38860-76F01	RELAY, STARTING MOTOR	1	
21	38915-90J00	HOLDER, RELAY	1	
22	01550-08207	BOLT	2	LOWER
23	01550-08307	BOLT	2	
24	08316-10087	NUT	1	

FIG.93

FIG.93 (1-I-8) MAGNETO (MANUAL STARTER) (DF9.9B P01)

REF NO.	PART NO.	DESCRIPTION	Q'TY	REMARKS
1	32120-89L10	COIL, STATOR & PULSER	1	
2	01547-0630A	BOLT	3	
3	01550-05127	BOLT	2	
4	32102-89L10	FLYWHEEL	1	
5	09140-14008	NUT	1	
6	09160-15057	WASHER (15X27X4)	1	
7	08341-31039	KEY	1	
8	09407-14407	CLAMP (L:145)	7	
9	33220-89L00	SENSOR ASSY CMP	1	
10	01550-06167	BOLT	1	
11	08322-0106A	WASHER	3	
12	36615-96300	TERMINAL, RESIN	2	

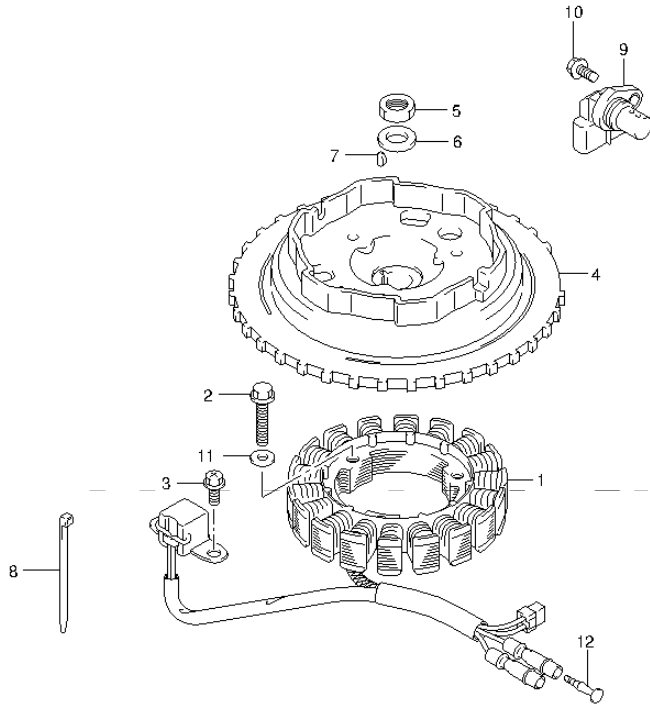


FIG.94

FIG.94 (1-I-9) MAGNETO (MANUAL STARTER) (DF15A P01)

REF NO.	PART NO.	DESCRIPTION	Q'TY	REMARKS
1	32120-89L10	COIL, STATOR & PULSER	1	
2	01547-0630A	BOLT	3	
3	01550-05127	BOLT	2	
4	32102-89L10	FLYWHEEL	1	
5	09140-14008	NUT	1	
6	09160-15057	WASHER (15X27X4)	1	
7	08341-31039	KEY	1	
8	09407-14407	CLAMP (L:145)	7	
9	33220-89L00	SENSOR ASSY CMP	1	
10	01550-06167	BOLT	1	
11	08322-0106A	WASHER	3	
12	36615-96300	TERMINAL, RESIN	2	

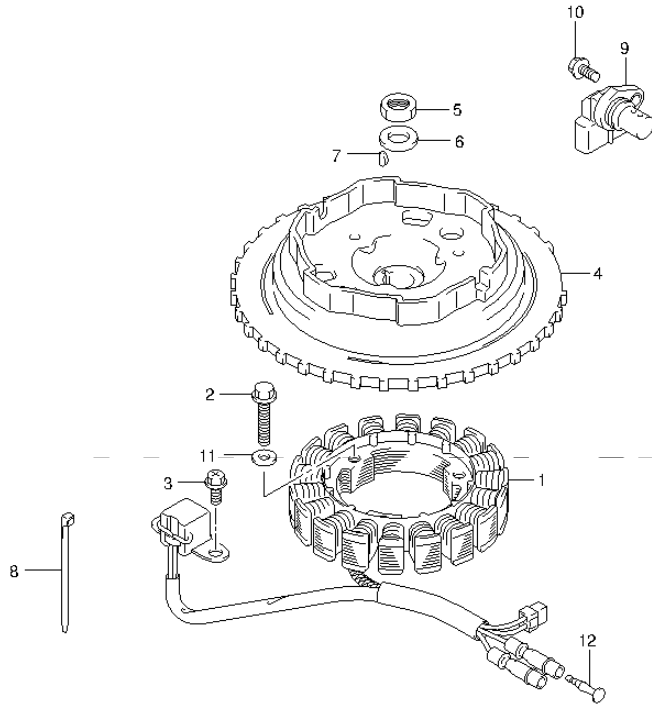


FIG.95

FIG.95 (1-I-10) MAGNETO (MANUAL STARTER) (DF20A P01)

REF NO.	PART NO.	DESCRIPTION	Q'TY	REMARKS
1	32120-89L10	COIL, STATOR & PULSER	1	
2	01547-0630A	BOLT	3	
3	01550-05127	BOLT	2	
4	32102-89L10	FLYWHEEL	1	
5	09140-14008	NUT	1	
6	09160-15057	WASHER (15X27X4)	1	
7	08341-31039	KEY	1	
8	09407-14407	CLAMP (L:145)	7	
9	33220-89L00	SENSOR ASSY CMP	1	
10	01550-06167	BOLT	1	
11	08322-0106A	WASHER	3	
12	36615-96300	TERMINAL, RESIN	2	

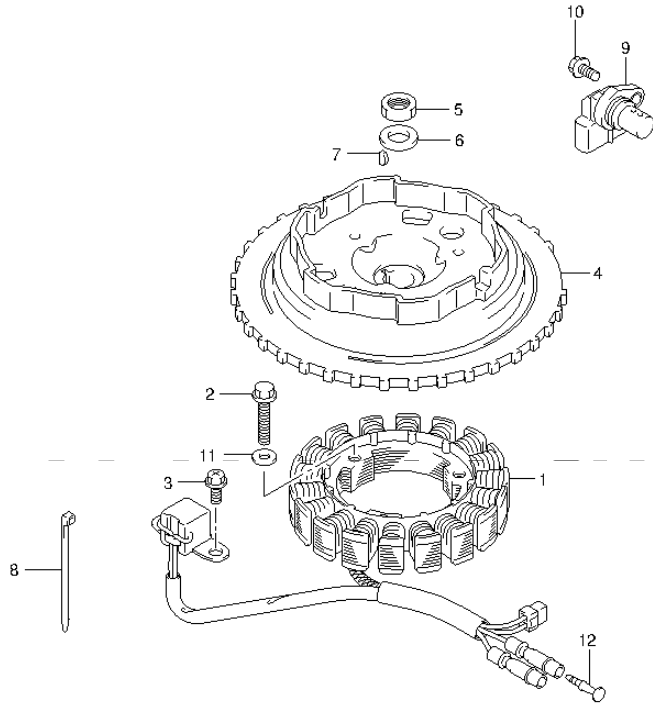


FIG.96

FIG.96 (1-I-11) MAGNETO (MANUAL STARTER) (DF20A P40)

REF NO.	PART NO.	DESCRIPTION	Q'TY	REMARKS
1	32120-89L10	COIL, STATOR & PULSER	1	
2	01547-0630A	BOLT	3	
3	01550-05127	BOLT	2	
4	32102-89L10	FLYWHEEL	1	
5	09140-14008	NUT	1	
6	09160-15057	WASHER (15X27X4)	1	
7	08341-31039	KEY	1	
8	09407-14407	CLAMP (L:145)	7	
9	33220-89L00	SENSOR ASSY CMP	1	
10	01550-06167	BOLT	1	
11	08322-0106A	WASHER	3	
12	36615-96300	TERMINAL, RESIN	2	

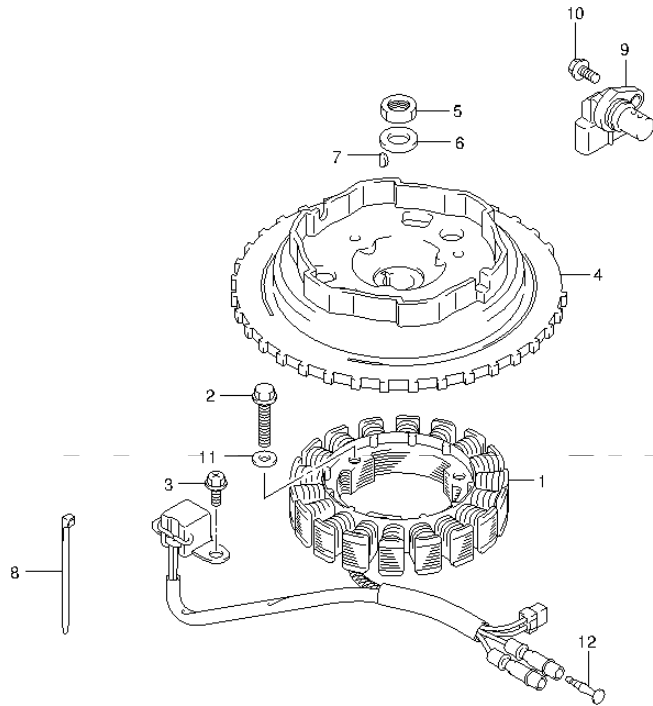


FIG.97

FIG.97 (1-12) MAGNETO (ELECTRIC STARTER)

REF NO.	PART NO.	DESCRIPTION	Q'TY	REMARKS
1	32120-89L00	COIL, STATOR & PULSER	1	
2	01547-0625A	BOLT	3	
3	01550-05127	BOLT	2	
4	32102-89L00	FLYWHEEL	1	
5	09140-14008	NUT	1	
6	09160-15057	WASHER (15X27X4)	1	
7	08341-31039	KEY	1	
8	09407-14407	CLAMP (L:145)	7	
9	33220-89L00	SENSOR ASSY CMP	1	
10	01550-06167	BOLT	1	

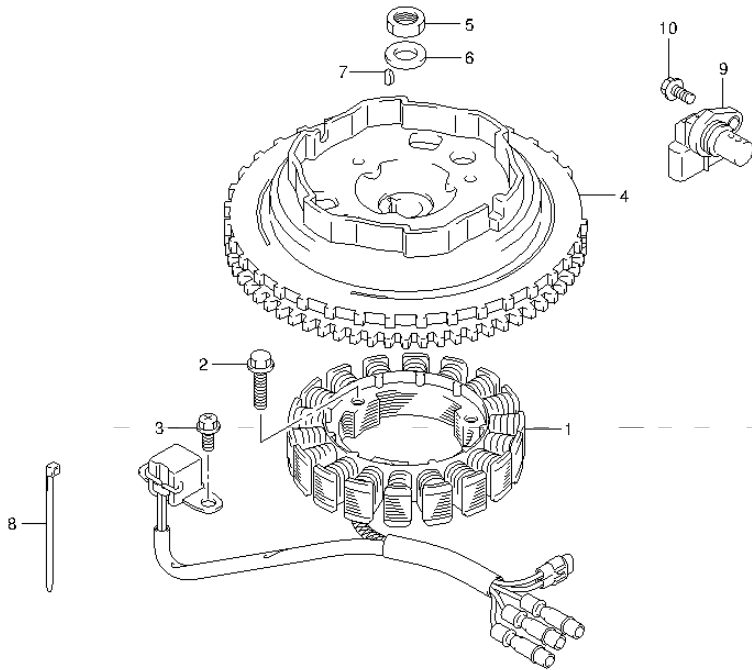


FIG.98

FIG.98 (1-I-13) RECTIFIER/IGNITION COIL (DF9.9B P01)

REF NO.	PART NO.	DESCRIPTION	Q'TY	REMARKS
1	32800-89L00	RECTIFIER/REGULATOR ASSY	1	W/ELECTRIC STARTER
2	32815-89L00	BRACKET, RECTIFIER	1	W/ELECTRIC STARTER
3	09116-06196	BOLT (6X20)	2	
4	32890-89L00	HOLDER, ELECTRIC PARTS	1	
5	09169-06063	WASHER	2	
6	09320-08051	CUSHION	2	
7	01550-06207	BOLT	2	W/ELECTRIC STARTER
8	01550-06167	BOLT	1	W/ELECTRIC STARTER
9	33500-07H00	CAP, SPARK PLUG	2	
10	09408-00159	CLAMP	2	
11	33410-89L00	COIL, IGNITION	1	
12	01550-06307	BOLT	2	
13-1	33920-89L40	UNIT, ENGINE CONTROL	1	W/ELECTRIC STARTER
13-2	33920-89L50	UNIT, ENGINE CONTROL	1	W/MANUAL STARTER
14	33925-89L00	CUSHION, ENGINE CONTROL UNIT	1	
15	38860-76F01	RELAY, ENGINE CONTROL UNIT	1	W/ELECTRIC STARTER
16	38915-90J00	HOLDER, RELAY	1	W/ELECTRIC STARTER
17	09160-06168	WASHER (6X14X1)	1	

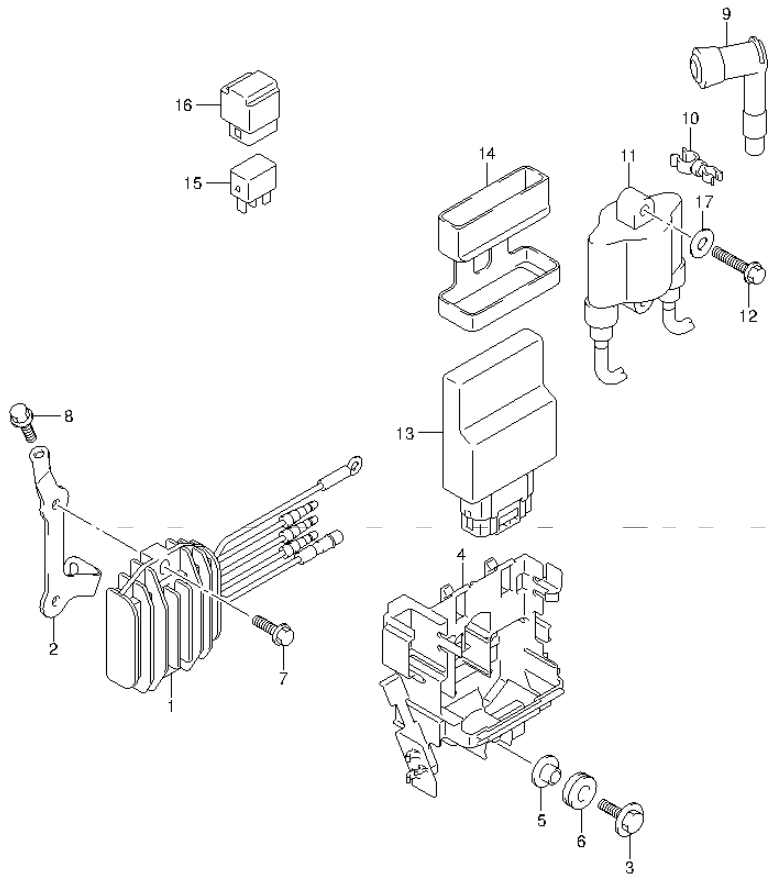


FIG.99

FIG.99 (1-14) RECTIFIER/IGNITION COIL (DF9.9BR P01)

REF NO.	PART NO.	DESCRIPTION	Q'TY	REMARKS
1	32800-89L00	RECTIFIER/REGULATOR ASSY	1	
2	32815-89L00	BRACKET, RECTIFIER	1	
3	09116-06196	BOLT (6X20)	2	
4	32890-89L00	HOLDER, ELECTRIC PARTS	1	
5	09169-06063	WASHER	2	
6	09320-08051	CUSHION	2	
7	01550-06207	BOLT	2	
8	01550-06167	BOLT	1	
9	33500-07H00	CAP, SPARK PLUG	2	
10	09408-00159	CLAMP	2	
11	33410-89L00	COIL, IGNITION	1	
12	01550-06307	BOLT	2	
13	33920-89L40	UNIT, ENGINE CONTROL	1	
14	33925-89L00	CUSHION, ENGINE CONTROL UNIT	1	
15	38860-76F01	RELAY, ENGINE CONTROL UNIT	1	
16	38915-90J00	HOLDER, RELAY	1	
17	09160-06168	WASHER (6X14X1)	1	

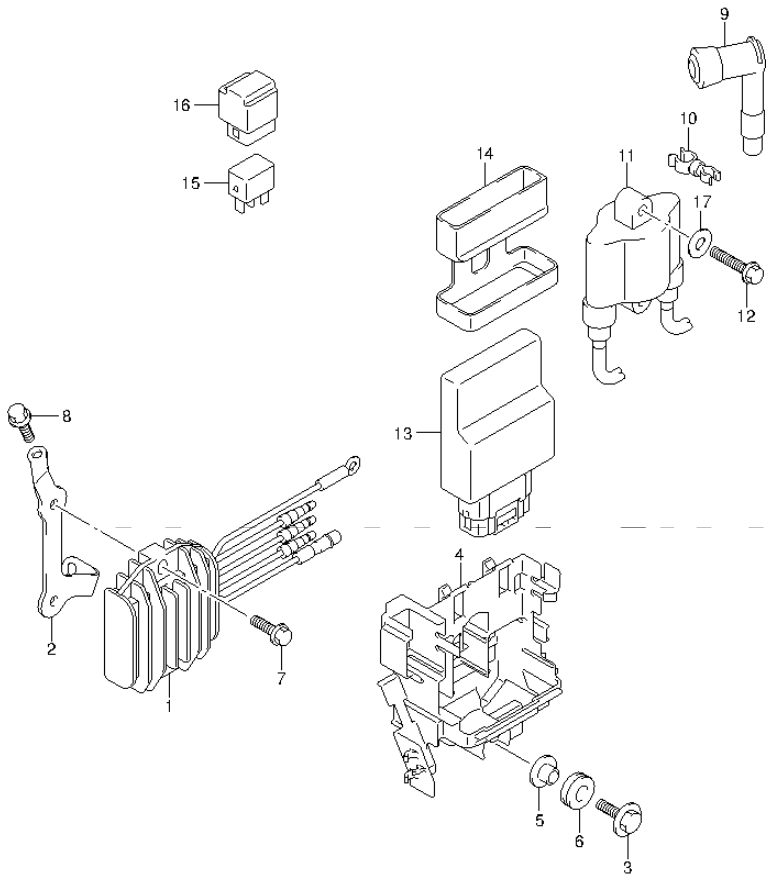


FIG.100

FIG.100 (1-I-15) RECTIFIER/IGNITION COIL (DF9.9BT P01)

REF NO.	PART NO.	DESCRIPTION	Q'TY	REMARKS
1	32800-89L00	RECTIFIER/REGULATOR ASSY	1	
2	32815-89L00	BRACKET, RECTIFIER	1	
3	09116-06196	BOLT (6X20)	2	
4	32890-89L00	HOLDER, ELECTRIC PARTS	1	
5	09169-06063	WASHER	2	
6	09320-08051	CUSHION	2	
7	01550-06207	BOLT	2	
8	01550-06167	BOLT	1	
9	33500-07H00	CAP, SPARK PLUG	2	
10	09408-00159	CLAMP	2	
11	33410-89L00	COIL, IGNITION	1	
12	01550-06307	BOLT	2	
13	33920-89L40	UNIT, ENGINE CONTROL	1	
14	33925-89L00	CUSHION, ENGINE CONTROL UNIT	1	
15	38860-76F01	RELAY, ENGINE CONTROL UNIT	1	
16	38915-90J00	HOLDER, RELAY	1	
17	09160-06168	WASHER (6X14X1)	1	

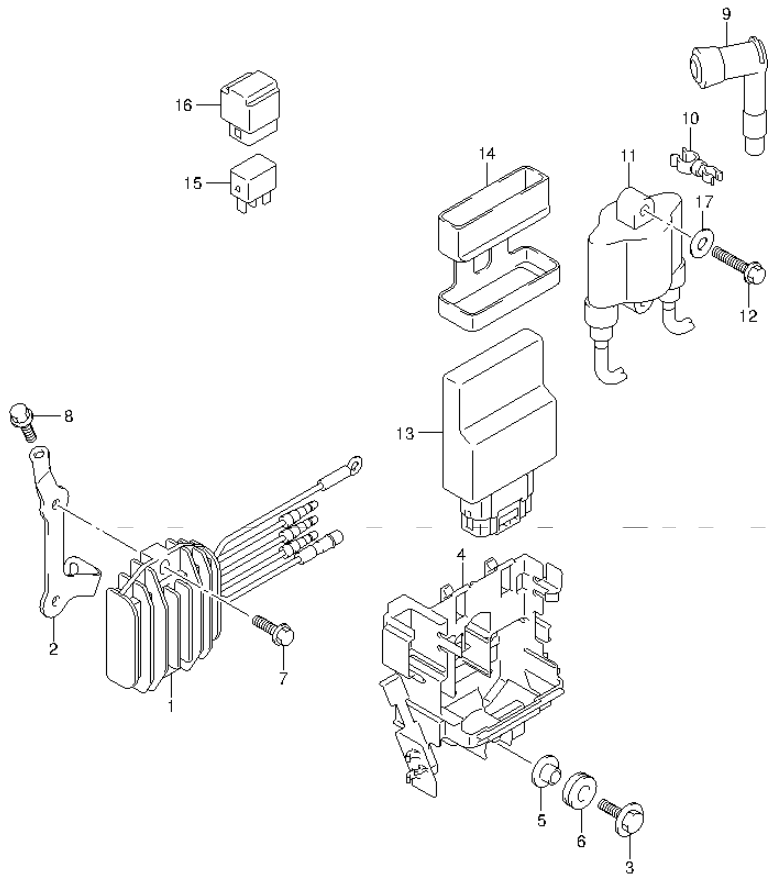


FIG.101

FIG.101 (1-J-2) RECTIFIER/IGNITION COIL (DF15A P01)

REF NO.	PART NO.	DESCRIPTION	Q'TY	REMARKS
1	32800-89L00	RECTIFIER/REGULATOR ASSY	1	W/ELECTRIC STARTER
2	32815-89L00	BRACKET, RECTIFIER	1	W/ELECTRIC STARTER
3	09116-06196	BOLT (6X20)	2	
4	32890-89L00	HOLDER, ELECTRIC PARTS	1	
5	09169-06063	WASHER	2	
6	09320-08051	CUSHION	2	
7	01550-06207	BOLT	2	W/ELECTRIC STARTER
8	01550-06167	BOLT	1	W/ELECTRIC STARTER
9	33500-07H00	CAP, SPARK PLUG	2	
10	09408-00159	CLAMP	2	
11	33410-89L00	COIL, IGNITION	1	
12	01550-06307	BOLT	2	
13-1	33920-89L01	UNIT, ENGINE CONTROL	1	W/ELECTRIC STARTER
13-2	33920-89L11	UNIT, ENGINE CONTROL	1	W/MANUAL STARTER
14	33925-89L00	CUSHION, ENGINE CONTROL UNIT	1	
15	38860-76F01	RELAY, ENGINE CONTROL UNIT	1	W/ELECTRIC STARTER
16	38915-90J00	HOLDER, RELAY	1	W/ELECTRIC STARTER
17	09160-06168	WASHER (6X14X1)	1	

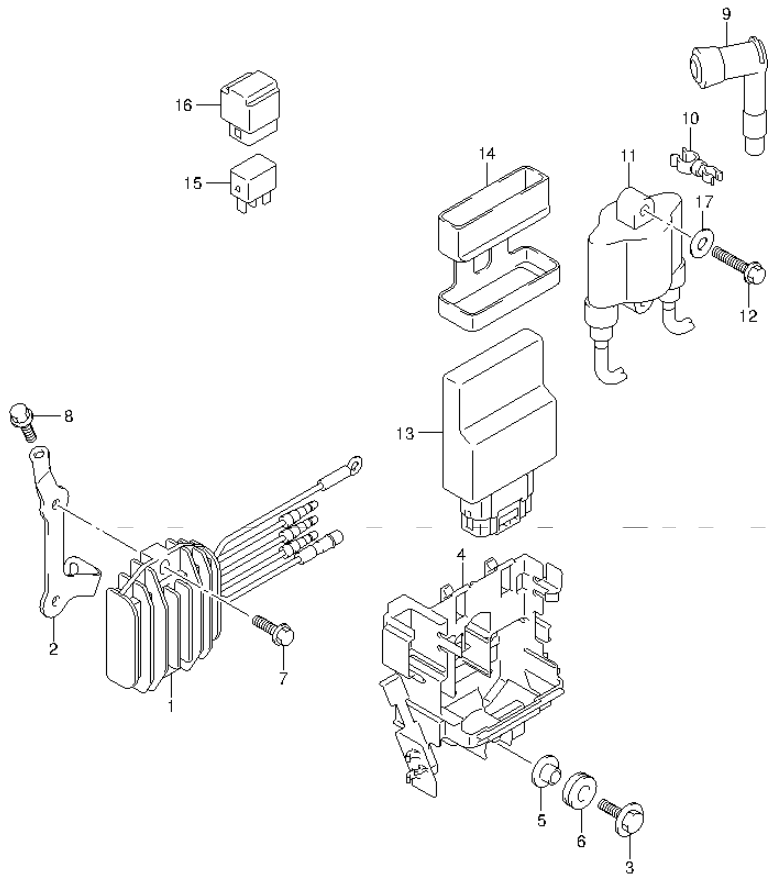


FIG.102

FIG.102 (1-J-3) RECTIFIER/IGNITION COIL (DF15AR P01)

REF NO.	PART NO.	DESCRIPTION	Q'TY	REMARKS
1	32800-89L00	RECTIFIER/REGULATOR ASSY	1	
2	32815-89L00	BRACKET, RECTIFIER	1	
3	09116-06196	BOLT (6X20)	2	
4	32890-89L00	HOLDER, ELECTRIC PARTS	1	
5	09169-06063	WASHER	2	
6	09320-08051	CUSHION	2	
7	01550-06207	BOLT	2	
8	01550-06167	BOLT	1	
9	33500-07H00	CAP, SPARK PLUG	2	
10	09408-00159	CLAMP	2	
11	33410-89L00	COIL, IGNITION	1	
12	01550-06307	BOLT	2	
13	33920-89L01	UNIT, ENGINE CONTROL	1	
14	33925-89L00	CUSHION, ENGINE CONTROL UNIT	1	
15	38860-76F01	RELAY, ENGINE CONTROL UNIT	1	
16	38915-90J00	HOLDER, RELAY	1	
17	09160-06168	WASHER (6X14X1)	1	

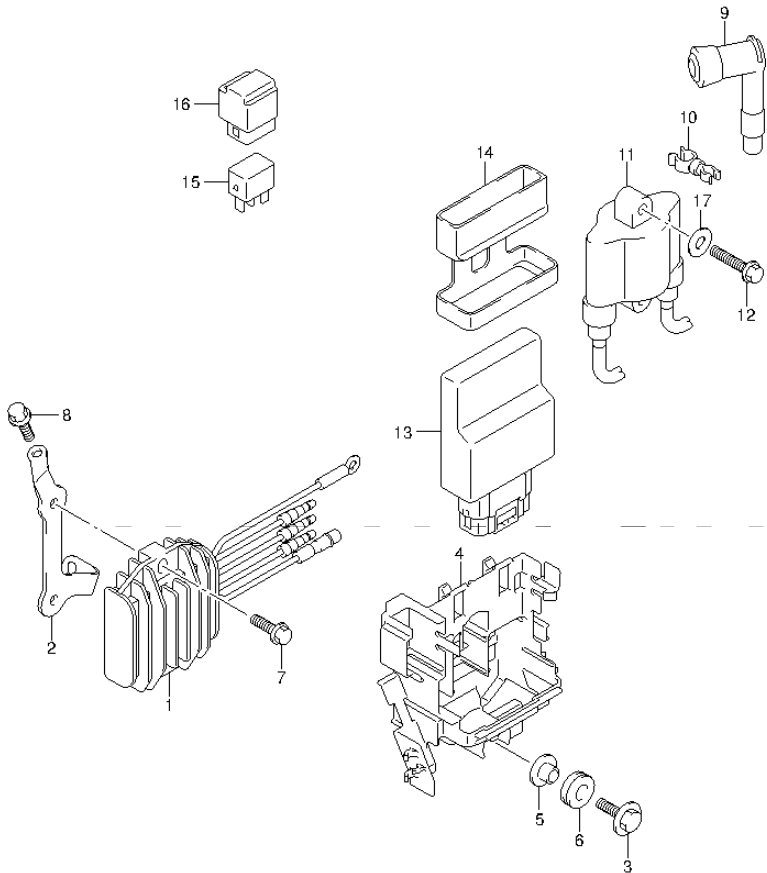


FIG.103

FIG.103 (1-J-4) RECTIFIER/IGNITION COIL (DF15ATH P01)

REF NO.	PART NO.	DESCRIPTION	Q'TY	REMARKS
1	32800-89L00	RECTIFIER/REGULATOR ASSY	1	
2	32815-89L00	BRACKET, RECTIFIER	1	
3	09116-06196	BOLT (6X20)	2	
4	32890-89L00	HOLDER, ELECTRIC PARTS	1	
5	09169-06063	WASHER	2	
6	09320-08051	CUSHION	2	
7	01550-06207	BOLT	2	
8	01550-06167	BOLT	1	
9	33500-07H00	CAP, SPARK PLUG	2	
10	09408-00159	CLAMP	2	
11	33410-89L00	COIL, IGNITION	1	
12	01550-06307	BOLT	2	
13	33920-89L01	UNIT, ENGINE CONTROL	1	
14	33925-89L00	CUSHION, ENGINE CONTROL UNIT	1	
15	38860-76F01	RELAY, ENGINE CONTROL UNIT	1	
16	38915-90J00	HOLDER, RELAY	1	
17	09160-06168	WASHER (6X14X1)	1	

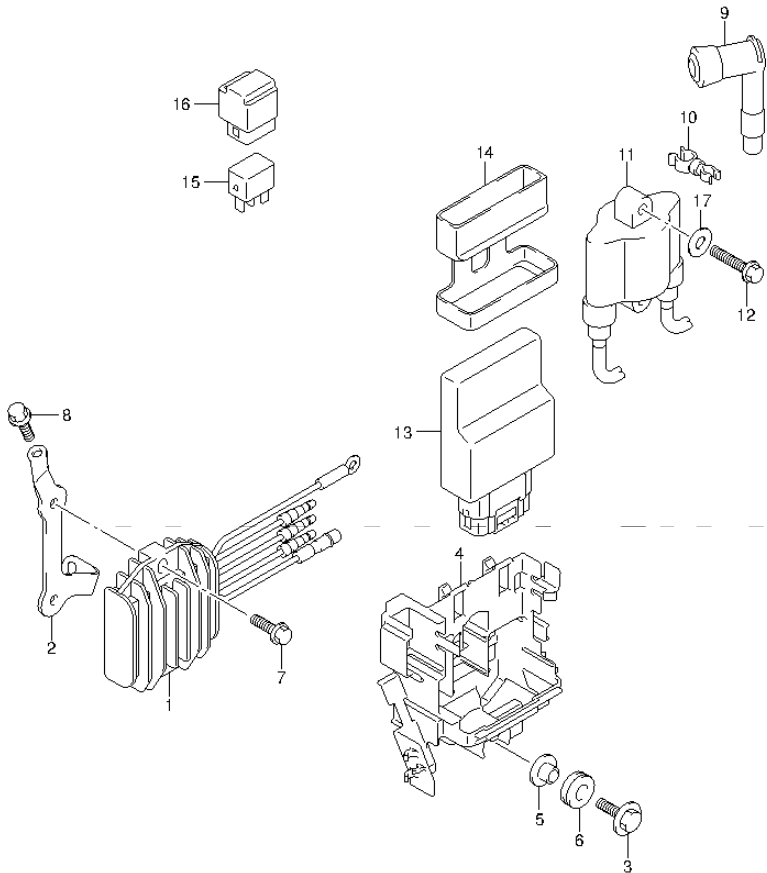


FIG.104

FIG.104 (1-J-5) RECTIFIER/IGNITION COIL (DF20A P01)

REF NO.	PART NO.	DESCRIPTION	Q'TY	REMARKS
1	32800-89L00	RECTIFIER/REGULATOR ASSY	1	W/ELECTRIC STARTER
2	32815-89L00	BRACKET, RECTIFIER	1	W/ELECTRIC STARTER
3	09116-06196	BOLT (6X20)	2	
4	32890-89L00	HOLDER, ELECTRIC PARTS	1	
5	09169-06063	WASHER	2	
6	09320-08051	CUSHION	2	
7	01550-06207	BOLT	2	W/ELECTRIC STARTER
8	01550-06167	BOLT	1	W/ELECTRIC STARTER
9	33500-07H00	CAP, SPARK PLUG	2	
10	09408-00159	CLAMP	2	
11	33410-89L00	COIL, IGNITION	1	
12	01550-06307	BOLT	2	
13-1	33920-89L21	UNIT, ENGINE CONTROL	1	W/ELECTRIC STARTER
13-2	33920-89L31	UNIT, ENGINE CONTROL	1	W/MANUAL STARTER
14	33925-89L00	CUSHION, ENGINE CONTROL UNIT	1	
15	38860-76F01	RELAY, ENGINE CONTROL UNIT	1	W/ELECTRIC STARTER
16	38915-90J00	HOLDER, RELAY	1	W/ELECTRIC STARTER
17	09160-06168	WASHER (6X14X1)	1	

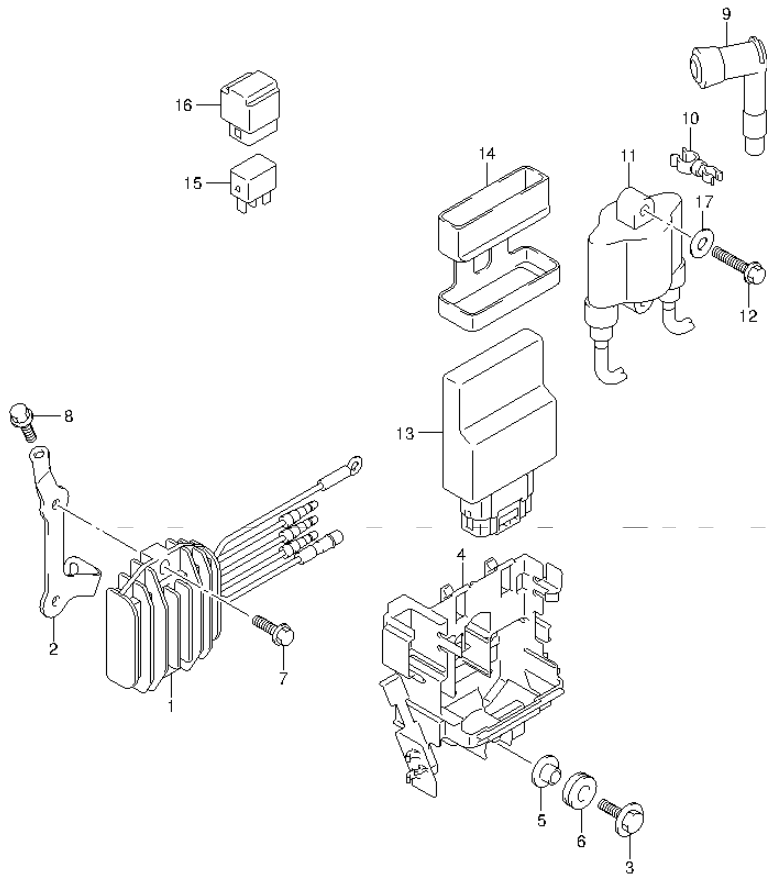


FIG.105

FIG.105 (1-J-6) RECTIFIER/IGNITION COIL (DF20A P40)

REF NO.	PART NO.	DESCRIPTION	Q'TY	REMARKS
1	32800-89L00	RECTIFIER/REGULATOR ASSY	1	W/ELECTRIC STARTER
2	32815-89L00	BRACKET, RECTIFIER	1	W/ELECTRIC STARTER
3	09116-06196	BOLT (6X20)	2	
4	32890-89L00	HOLDER, ELECTRIC PARTS	1	
5	09169-06063	WASHER	2	
6	09320-08051	CUSHION	2	
7	01550-06207	BOLT	2	W/ELECTRIC STARTER
8	01550-06167	BOLT	1	W/ELECTRIC STARTER
9	33500-07H00	CAP, SPARK PLUG	2	
10	09408-00159	CLAMP	2	
11	33410-89L00	COIL, IGNITION	1	
12	01550-06307	BOLT	2	
13-1	33920-89L60	UNIT, ENGINE CONTROL	1	W/ELECTRIC STARTER
13-2	33920-89L70	UNIT, ENGINE CONTROL	1	W/MANUAL STARTER
14	33925-89L00	CUSHION, ENGINE CONTROL UNIT	1	
15	38860-76F01	RELAY, ENGINE CONTROL UNIT	1	W/ELECTRIC STARTER
16	38915-90J00	HOLDER, RELAY	1	W/ELECTRIC STARTER
17	09160-06168	WASHER (6X14X1)	1	

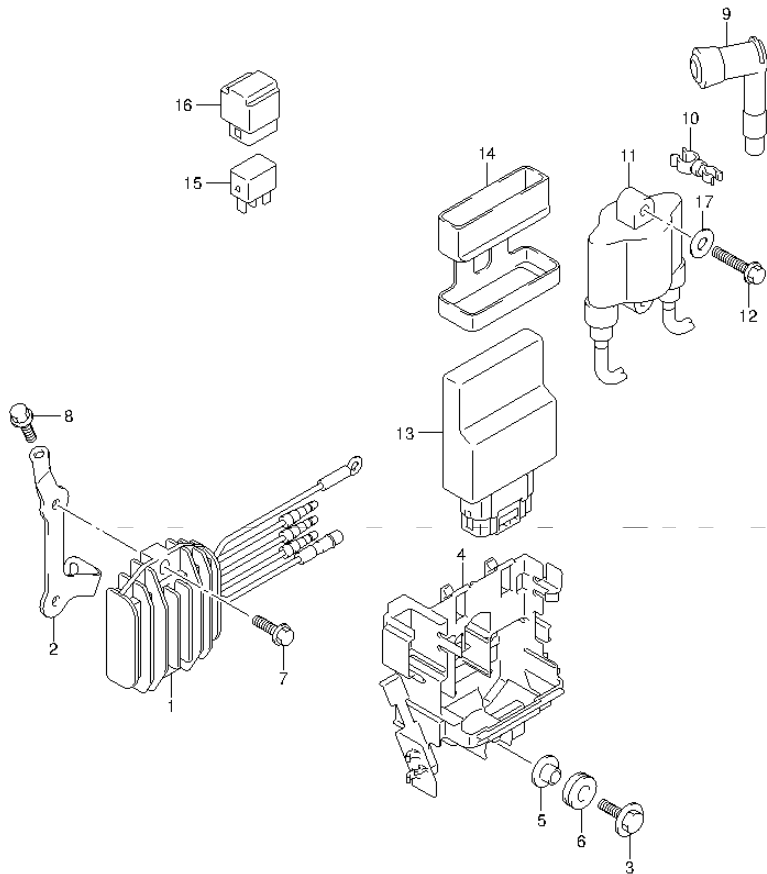


FIG.106

FIG.106 (1-J-7) RECTIFIER/IGNITION COIL (DF20AR P01)

REF NO.	PART NO.	DESCRIPTION	Q'TY	REMARKS
1	32800-89L00	RECTIFIER/REGULATOR ASSY	1	
2	32815-89L00	BRACKET, RECTIFIER	1	
3	09116-06196	BOLT (6X20)	2	
4	32890-89L00	HOLDER, ELECTRIC PARTS	1	
5	09169-06063	WASHER	2	
6	09320-08051	CUSHION	2	
7	01550-06207	BOLT	2	
8	01550-06167	BOLT	1	
9	33500-07H00	CAP, SPARK PLUG	2	
10	09408-00159	CLAMP	2	
11	33410-89L00	COIL, IGNITION	1	
12	01550-06307	BOLT	2	
13	33920-89L21	UNIT, ENGINE CONTROL	1	
14	33925-89L00	CUSHION, ENGINE CONTROL UNIT	1	
15	38860-76F01	RELAY, ENGINE CONTROL UNIT	1	
16	38915-90J00	HOLDER, RELAY	1	
17	09160-06168	WASHER (6X14X1)	1	

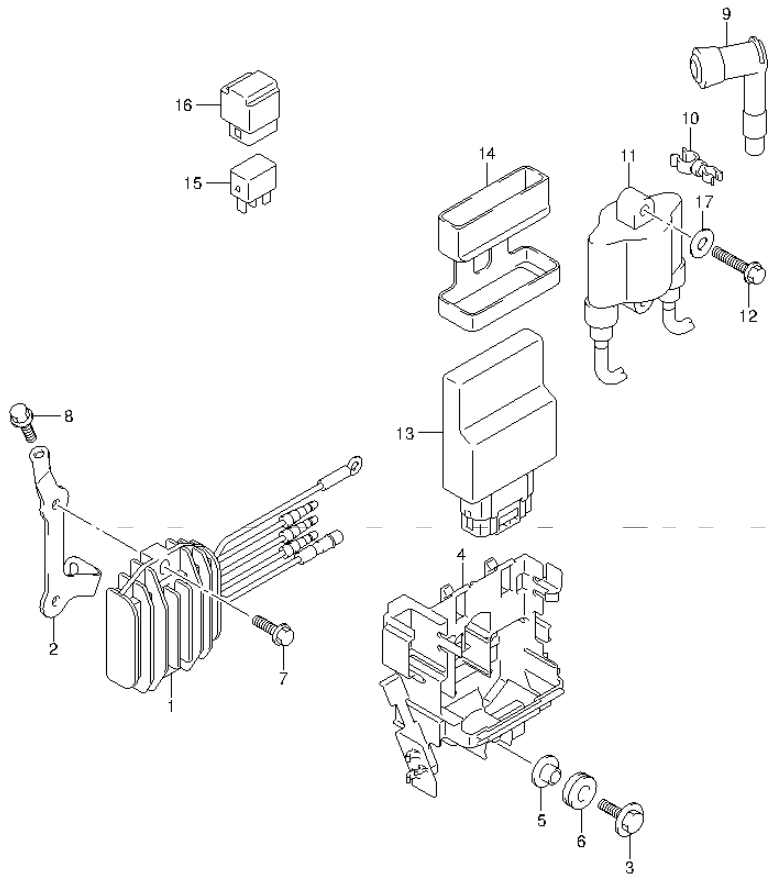


FIG.107

FIG.107 (1-J-8) RECTIFIER/IGNITION COIL (DF20AT P01)

REF NO.	PART NO.	DESCRIPTION	Q'TY	REMARKS
1	32800-89L00	RECTIFIER/REGULATOR ASSY	1	
2	32815-89L00	BRACKET, RECTIFIER	1	
3	09116-06196	BOLT (6X20)	2	
4	32890-89L00	HOLDER, ELECTRIC PARTS	1	
5	09169-06063	WASHER	2	
6	09320-08051	CUSHION	2	
7	01550-06207	BOLT	2	
8	01550-06167	BOLT	1	
9	33500-07H00	CAP, SPARK PLUG	2	
10	09408-00159	CLAMP	2	
11	33410-89L00	COIL, IGNITION	1	
12	01550-06307	BOLT	2	
13	33920-89L21	UNIT, ENGINE CONTROL	1	
14	33925-89L00	CUSHION, ENGINE CONTROL UNIT	1	
15	38860-76F01	RELAY, ENGINE CONTROL UNIT	1	
16	38915-90J00	HOLDER, RELAY	1	
17	09160-06168	WASHER (6X14X1)	1	

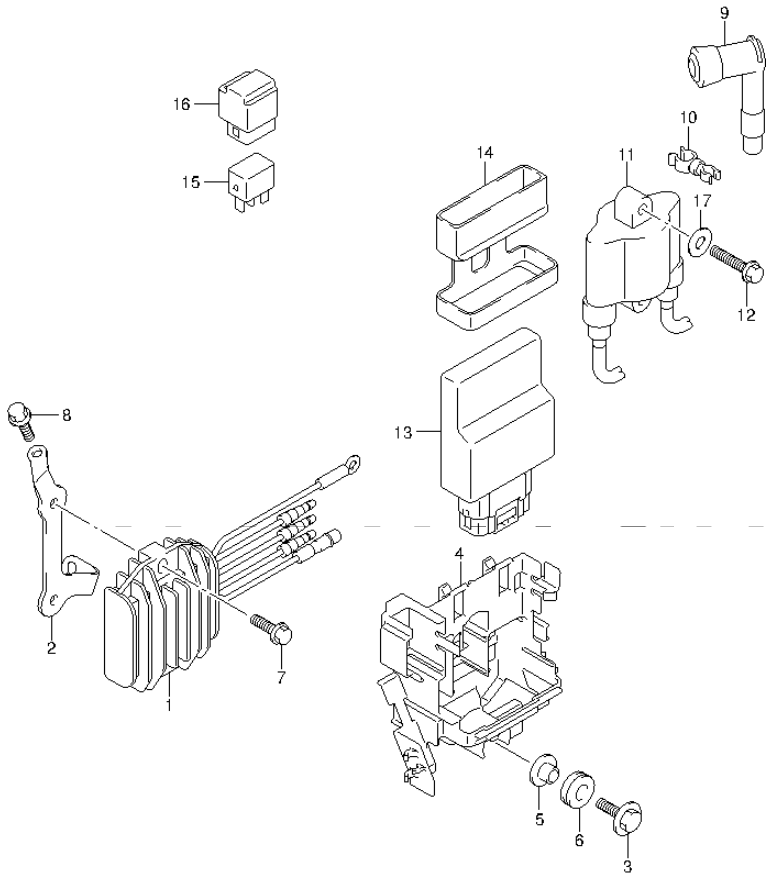


FIG.108

FIG.108 (1-J-9) RECTIFIER/IGNITION COIL (DF20ATH P01)

REF NO.	PART NO.	DESCRIPTION	Q'TY	REMARKS
1	32800-89L00	RECTIFIER/REGULATOR ASSY	1	
2	32815-89L00	BRACKET, RECTIFIER	1	
3	09116-06196	BOLT (6X20)	2	
4	32890-89L00	HOLDER, ELECTRIC PARTS	1	
5	09169-06063	WASHER	2	
6	09320-08051	CUSHION	2	
7	01550-06207	BOLT	2	
8	01550-06167	BOLT	1	
9	33500-07H00	CAP, SPARK PLUG	2	
10	09408-00159	CLAMP	2	
11	33410-89L00	COIL, IGNITION	1	
12	01550-06307	BOLT	2	
13	33920-89L21	UNIT, ENGINE CONTROL	1	
14	33925-89L00	CUSHION, ENGINE CONTROL UNIT	1	
15	38860-76F01	RELAY, ENGINE CONTROL UNIT	1	
16	38915-90J00	HOLDER, RELAY	1	
17	09160-06168	WASHER (6X14X1)	1	

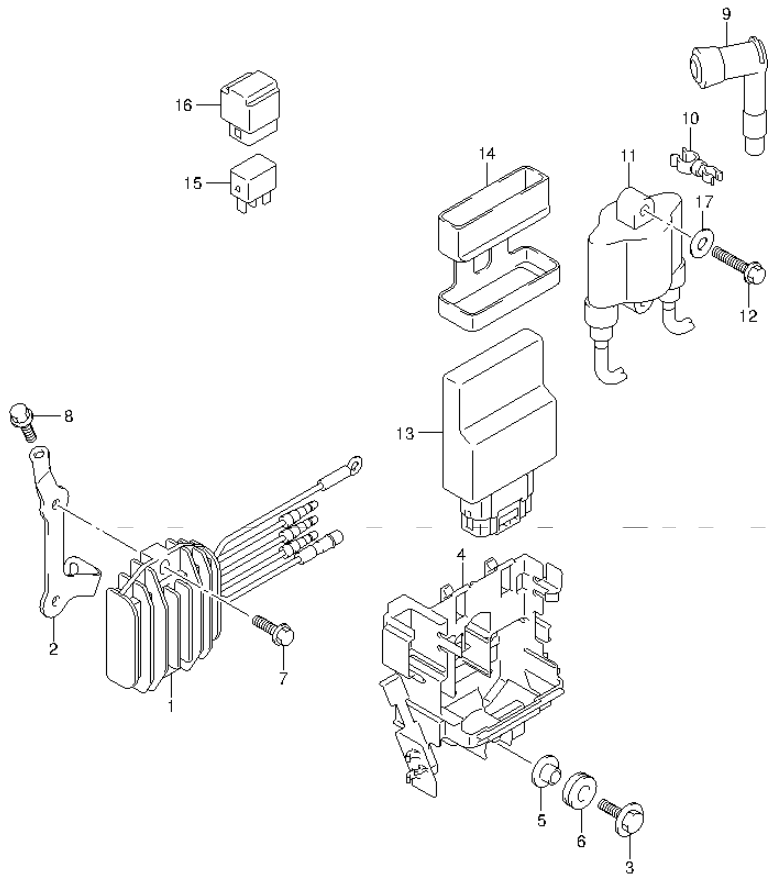


FIG.109

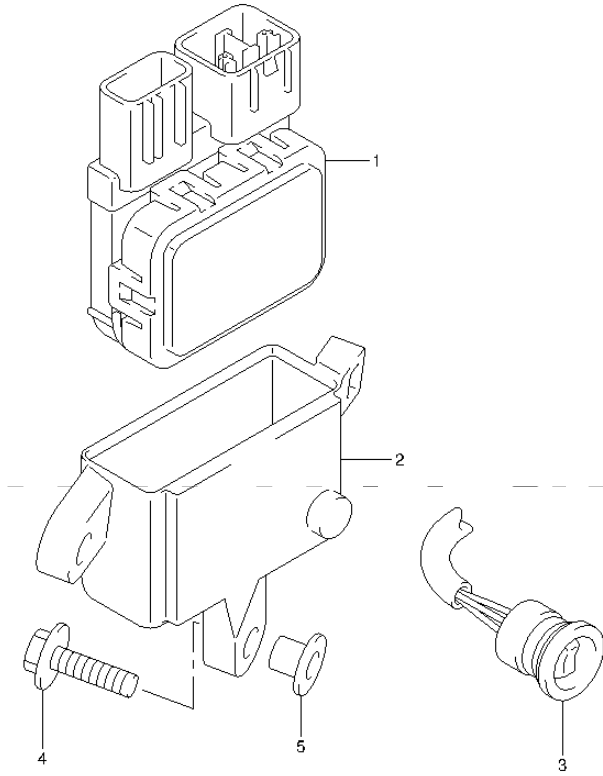


FIG.109 (1-J-10) PTT SWITCH (DF9.9BT P01)

REF NO.	PART NO.	DESCRIPTION	Q'TY	REMARKS
1	38410-93J20	RELAY ASSY, PTT	1	
2	38415-89L00	HOLDER, PTT RELAY	1	
3	37850-99E04	SWITCH ASSY, PTT	1	
4	09116-06202	BOLT (6X25)	2	
5	09169-06062	WASHER	2	



FIG.110

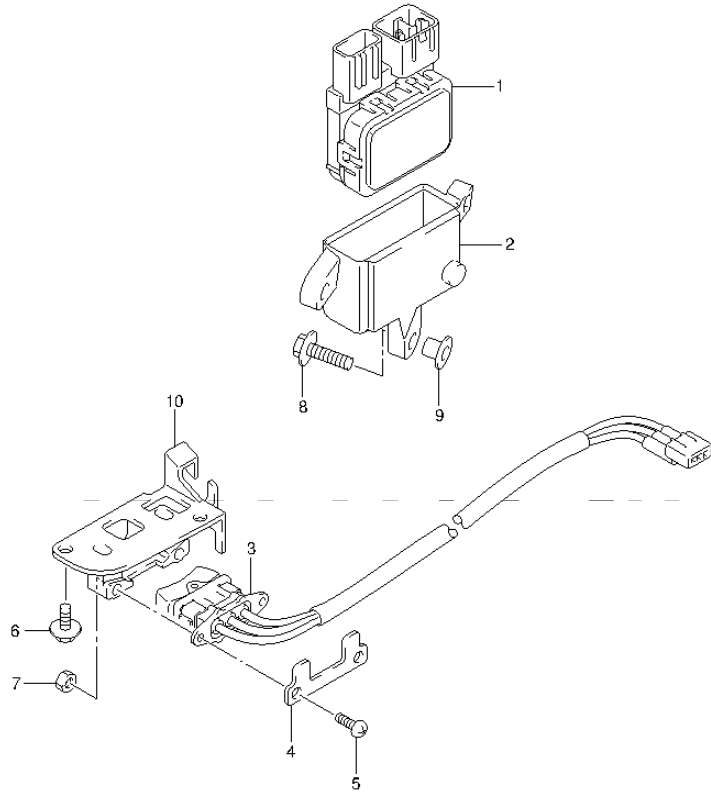


FIG.110 (1-J-11) PTT SWITCH (DF15ATH P01)

REF NO.	PART NO.	DESCRIPTION	Q'TY	REMARKS
1	38410-93J20	RELAY ASSY, PTT	1	
2	38415-89L00	HOLDER, PTT RELAY	1	
3	37850-94JA2	SWITCH ASSY, PTT	1	
4	37852-94JA0	PLATE, PTT SWITCH	1	
5	09125-05046	SCREW (5X12)	2	
6	29103-93J00	BOLT, PTT SW BRACKET (6X12)	2	
7	09140-05005	NUT	2	
8	09116-06202	BOLT (6X25)	2	
9	09169-06062	WASHER	2	
10	37851-89L00	HOLDER, PTT SWITCH	1	



FIG.111

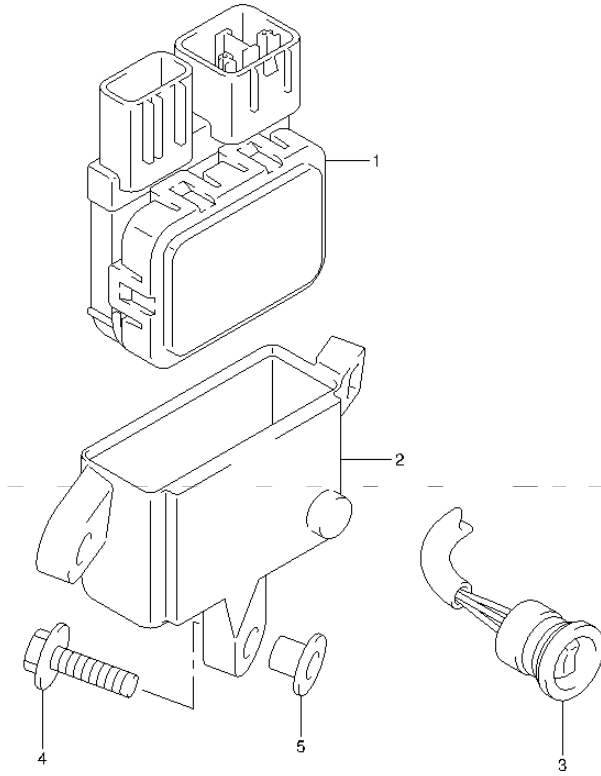


FIG.111 (1-J-12) PTT SWITCH (DF20AT P01)

REF NO.	PART NO.	DESCRIPTION	Q'TY	REMARKS
1	38410-93J20	RELAY ASSY, PTT	1	
2	38415-89L00	HOLDER, PTT RELAY	1	
3	37850-99E04	SWITCH ASSY, PTT	1	
4	09116-06202	BOLT (6X25)	2	
5	09169-06062	WASHER	2	



FIG.112

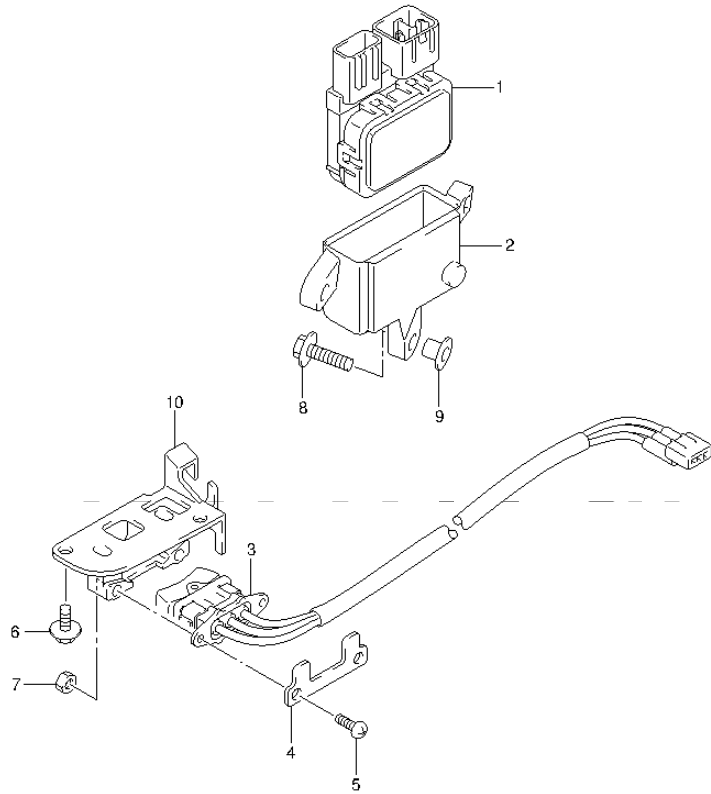


FIG.112 (1-J-13) PTT SWITCH (DF20ATH P01)

REF NO.	PART NO.	DESCRIPTION	Q'TY	REMARKS
1	38410-93J20	RELAY ASSY, PTT	1	
2	38415-89L00	HOLDER, PTT RELAY	1	
3	37850-94JA2	SWITCH ASSY, PTT	1	
4	37852-94JA0	PLATE, PTT SWITCH	1	
5	09125-05046	SCREW (5X12)	2	
6	29103-93J00	BOLT, PTT SW BRACKET (6X12)	2	
7	09140-05005	NUT	2	
8	09116-06202	BOLT (6X25)	2	
9	09169-06062	WASHER	2	
10	37851-89L00	HOLDER, PTT SWITCH	1	



FIG.114

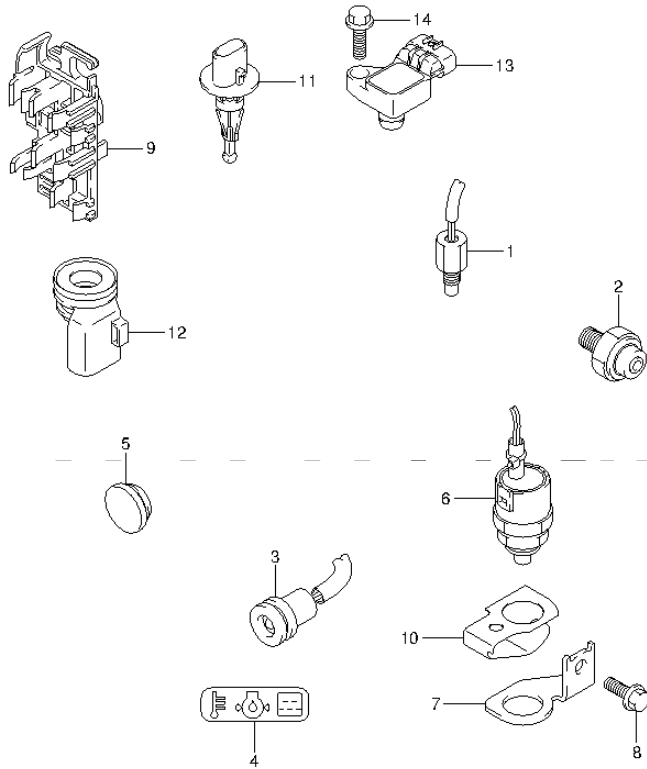


FIG.114 (1-J-15) SENSOR/SWITCH (DF9.9BR P01)

REF NO.	PART NO.	DESCRIPTION	Q'TY	REMARKS
1	13640-32G00	SENSOR ENGINE, TEMP	1	
2	37820-93E10	SWITCH ASSY, OIL PRESSURE	1	
3	36360-99J10	INDICATOR, OIL PRESSURE	1	
4	36367-89L00	LABEL, WARNING	1	
5	37163-89L00	PLUG, STARTING SWITCH HOLE	1	
6	37721-89L00	SWITCH ASSY, NEUTRAL	1	
7	37726-89L00	BRACKET, NEUTRAL SWITCH	1	
8	01550-06167	BOLT	1	
9	36616-89L01	HOLDER, CONNECTOR	1	
10	37725-89L00	ACTUATOR, NEUTRAL SWITCH	1	
11	13650-52G00	SENSOR, INLET AIR TEMP	1	
12	13655-89L00	GROMMET, INLET AIR TEMP SENSOR	1	
13	18590-58M00	SENSOR, MAP	1	
14	01550-06207	BOLT	1	



FIG.115

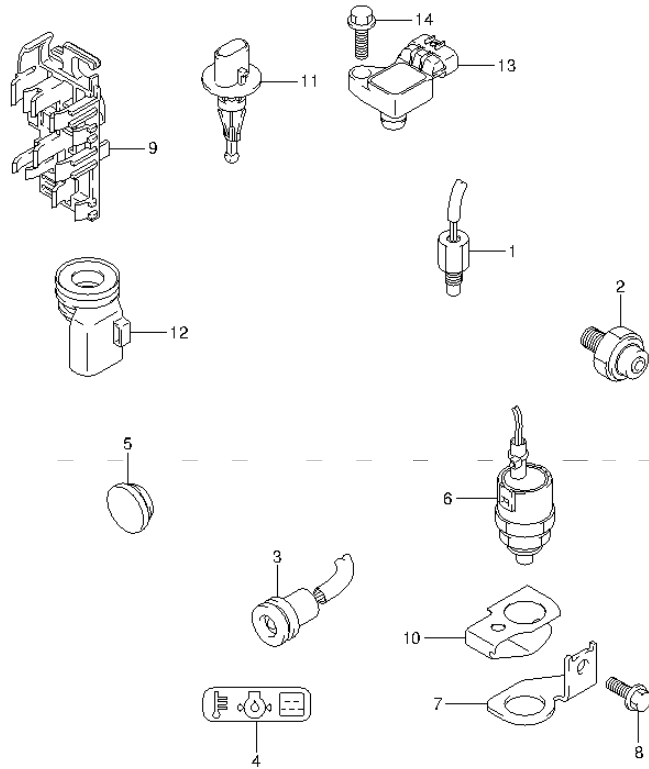


FIG.115 (1-K-2) SENSOR/SWITCH (DF9.9BT P01)

REF NO.	PART NO.	DESCRIPTION	Q'TY	REMARKS
1	13640-32G00	SENSOR ENGINE, TEMP	1	
2	37820-93E10	SWITCH ASSY, OIL PRESSURE	1	
3	36360-99J10	INDICATOR, OIL PRESSURE	1	
4	36367-89L00	LABEL, WARNING	1	
5	37163-89L00	PLUG, STARTING SWITCH HOLE	1	
6	37721-89L00	SWITCH ASSY, NEUTRAL	1	
7	37726-89L00	BRACKET, NEUTRAL SWITCH	1	
8	01550-06167	BOLT	1	
9	36616-89L01	HOLDER, CONNECTOR	1	
10	37725-89L00	ACTUATOR, NEUTRAL SWITCH	1	
11	13650-52G00	SENSOR, INLET AIR TEMP	1	
12	13655-89L00	GROMMET, INLET AIR TEMP SENSOR	1	
13	18590-58M00	SENSOR, MAP	1	
14	01550-06207	BOLT	1	



FIG.116

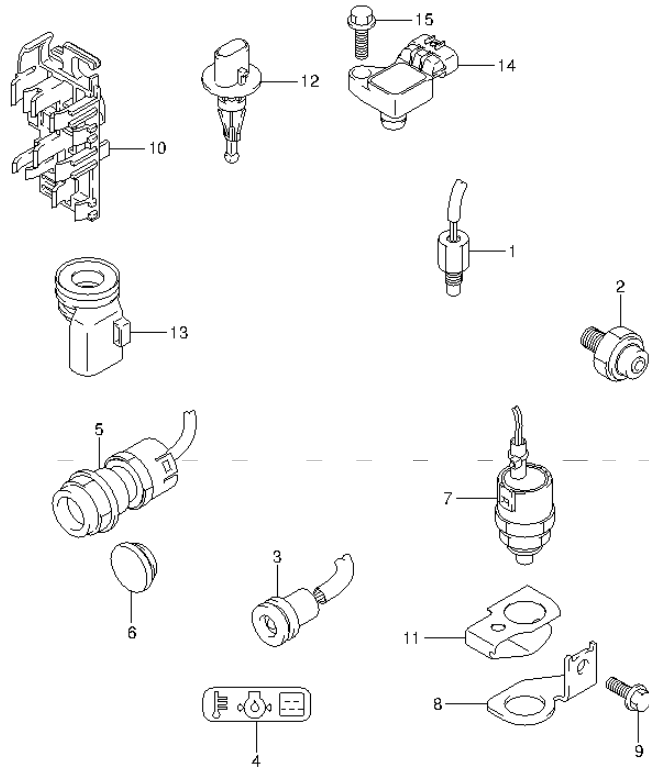


FIG.116 (1-K-3) SENSOR/SWITCH (DF15A P01)

REF NO.	PART NO.	DESCRIPTION	Q'TY	REMARKS
1	13640-32G00	SENSOR ENGINE, TEMP	1	
2	37820-93E10	SWITCH ASSY, OIL PRESSURE	1	
3	36360-99J10	INDICATOR, OIL PRESSURE	1	
4	36367-89L00	LABEL, WARNING	1	
5	37161-89L00	SWITCH ASSY, STARTER MOTOR	1	W/ELECTRIC STARTER
6	37163-89L00	PLUG, STARTING SWITCH HOLE	1	W/MANUAL STARTER
7	37721-89L00	SWITCH ASSY, NEUTRAL	1	
8	37726-89L00	BRACKET, NEUTRAL SWITCH	1	
9	01550-06167	BOLT	1	
10	36616-89L01	HOLDER, CONNECTOR	1	
11	37725-89L00	ACTUATOR, NEUTRAL SWITCH	1	
12	13650-52G00	SENSOR, INLET AIR TEMP	1	
13	13655-89L00	GROMMET, INLET AIR TEMP SENSOR	1	
14	18590-58M00	SENSOR, MAP	1	
15	01550-06207	BOLT	1	

FIG.117

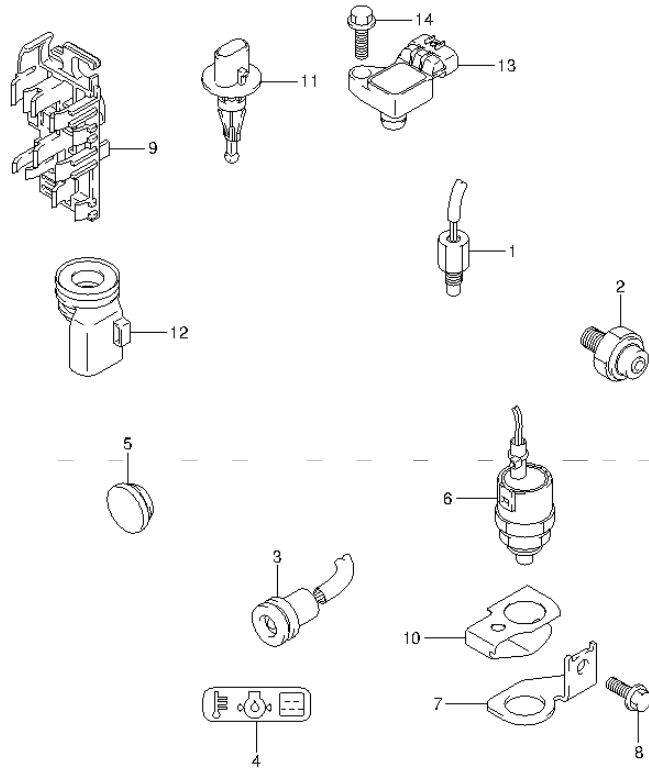


FIG.117 (1-K-4) SENSOR/SWITCH (DF15AR P01)

REF NO.	PART NO.	DESCRIPTION	Q'TY	REMARKS
1	13640-32G00	SENSOR ENGINE, TEMP	1	
2	37820-93E10	SWITCH ASSY, OIL PRESSURE	1	
3	36360-99J10	INDICATOR, OIL PRESSURE	1	
4	36367-89L00	LABEL, WARNING	1	
5	37163-89L00	PLUG, STARTING SWITCH HOLE	1	
6	37721-89L00	SWITCH ASSY, NEUTRAL	1	
7	37726-89L00	BRACKET, NEUTRAL SWITCH	1	
8	01550-06167	BOLT	1	
9	36616-89L01	HOLDER, CONNECTOR	1	
10	37725-89L00	ACTUATOR, NEUTRAL SWITCH	1	
11	13650-52G00	SENSOR, INLET AIR TEMP	1	
12	13655-89L00	GROMMET, INLET AIR TEMP SENSOR	1	
13	18590-58M00	SENSOR, MAP	1	
14	01550-06207	BOLT	1	



FIG.118

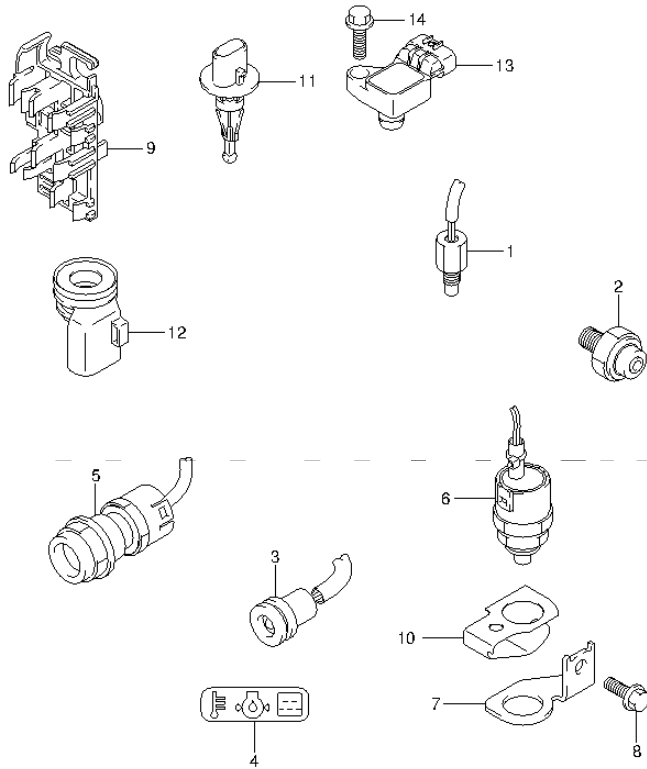


FIG.118 (1-K-5) SENSOR/SWITCH (DF15ATH P01)

REF NO.	PART NO.	DESCRIPTION	Q'TY	REMARKS
1	13640-32G00	SENSOR ENGINE, TEMP	1	
2	37820-93E10	SWITCH ASSY, OIL PRESSURE	1	
3	36360-99J10	INDICATOR, OIL PRESSURE	1	
4	36367-89L00	LABEL, WARNING	1	
5	37161-89L00	SWITCH ASSY, STARTER MOTOR	1	
6	37721-89L00	SWITCH ASSY, NEUTRAL	1	
7	37726-89L00	BRACKET, NEUTRAL SWITCH	1	
8	01550-06167	BOLT	1	
9	36616-89L01	HOLDER, CONNECTOR	1	
10	37725-89L00	ACTUATOR, NEUTRAL SWITCH	1	
11	13650-52G00	SENSOR, INLET AIR TEMP	1	
12	13655-89L00	GROMMET, INLET AIR TEMP SENSOR	1	
13	18590-58M00	SENSOR, MAP	1	
14	01550-06207	BOLT	1	



FIG.119

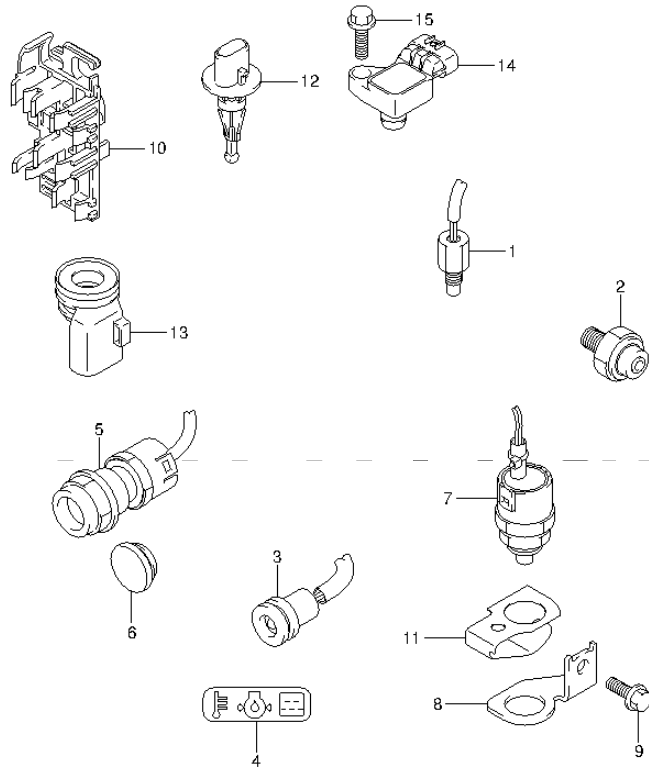


FIG.119 (1-K-6) SENSOR/SWITCH (DF20A P01)

REF NO.	PART NO.	DESCRIPTION	Q'TY	REMARKS
1	13640-32G00	SENSOR ENGINE, TEMP	1	
2	37820-93E10	SWITCH ASSY, OIL PRESSURE	1	
3	36360-99J10	INDICATOR, OIL PRESSURE	1	
4	36367-89L00	LABEL, WARNING	1	
5	37161-89L00	SWITCH ASSY, STARTER MOTOR	1	W/ELECTRIC STARTER
6	37163-89L00	PLUG, STARTING SWITCH HOLE	1	W/MANUAL STARTER
7	37721-89L00	SWITCH ASSY, NEUTRAL	1	
8	37726-89L00	BRACKET, NEUTRAL SWITCH	1	
9	01550-06167	BOLT	1	
10	36616-89L01	HOLDER, CONNECTOR	1	
11	37725-89L00	ACTUATOR, NEUTRAL SWITCH	1	
12	13650-52G00	SENSOR, INLET AIR TEMP	1	
13	13655-89L00	GROMMET, INLET AIR TEMP SENSOR	1	
14	18590-58M00	SENSOR, MAP	1	
15	01550-06207	BOLT	1	

FIG.120

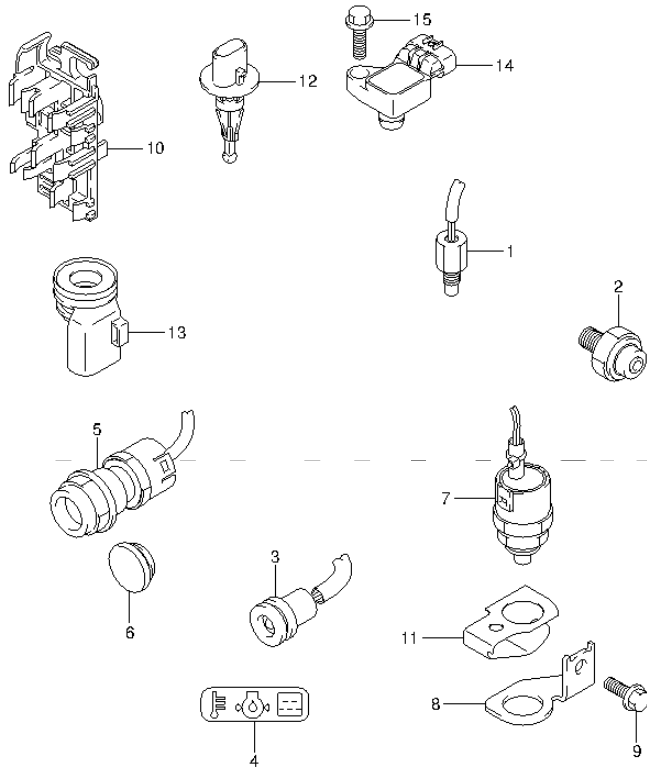


FIG.120 (1-K-7) SENSOR/SWITCH (DF20A P40)

REF NO.	PART NO.	DESCRIPTION	Q'TY	REMARKS
1	13640-32G00	SENSOR ENGINE, TEMP	1	
2	37820-93E10	SWITCH ASSY, OIL PRESSURE	1	
3	36360-99J10	INDICATOR, OIL PRESSURE	1	
4	36367-89L00	LABEL, WARNING	1	
5	37161-89L00	SWITCH ASSY, STARTER MOTOR	1	W/ELECTRIC STARTER
6	37163-89L00	PLUG, STARTING SWITCH HOLE	1	W/MANUAL STARTER
7	37721-89L00	SWITCH ASSY, NEUTRAL	1	
8	37726-89L00	BRACKET, NEUTRAL SWITCH	1	
9	01550-06167	BOLT	1	
10	36616-89L01	HOLDER, CONNECTOR	1	
11	37725-89L00	ACTUATOR, NEUTRAL SWITCH	1	
12	13650-52G00	SENSOR, INLET AIR TEMP	1	
13	13655-89L00	GROMMET, INLET AIR TEMP SENSOR	1	
14	18590-58M00	SENSOR, MAP	1	
15	01550-06207	BOLT	1	

FIG.121

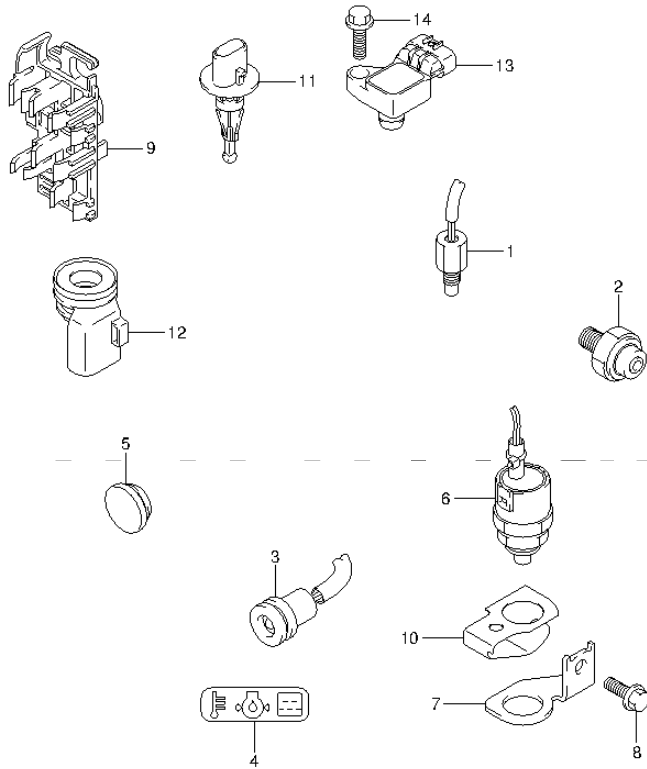


FIG.121 (1-K-8) SENSOR/SWITCH (DF20AR P01)

REF NO.	PART NO.	DESCRIPTION	Q'TY	REMARKS
1	13640-32G00	SENSOR ENGINE, TEMP	1	
2	37820-93E10	SWITCH ASSY, OIL PRESSURE	1	
3	36360-99J10	INDICATOR, OIL PRESSURE	1	
4	36367-89L00	LABEL, WARNING	1	
5	37163-89L00	PLUG, STARTING SWITCH HOLE	1	
6	37721-89L00	SWITCH ASSY, NEUTRAL	1	
7	37726-89L00	BRACKET, NEUTRAL SWITCH	1	
8	01550-06167	BOLT	1	
9	36616-89L01	HOLDER, CONNECTOR	1	
10	37725-89L00	ACTUATOR, NEUTRAL SWITCH	1	
11	13650-52G00	SENSOR, INLET AIR TEMP	1	
12	13655-89L00	GROMMET, INLET AIR TEMP SENSOR	1	
13	18590-58M00	SENSOR, MAP	1	
14	01550-06207	BOLT	1	



FIG.122

FIG.122 (1-K-9) SENSOR/SWITCH (DF20AT P01)

REF NO.	PART NO.	DESCRIPTION	Q'TY	REMARKS
1	13640-32G00	SENSOR ENGINE, TEMP	1	
2	37820-93E10	SWITCH ASSY, OIL PRESSURE	1	
3	36360-99J10	INDICATOR, OIL PRESSURE	1	
4	36367-89L00	LABEL, WARNING	1	
5	37163-89L00	PLUG, STARTING SWITCH HOLE	1	
6	37721-89L00	SWITCH ASSY, NEUTRAL	1	
7	37726-89L00	BRACKET, NEUTRAL SWITCH	1	
8	01550-06167	BOLT	1	
9	36616-89L01	HOLDER, CONNECTOR	1	
10	37725-89L00	ACTUATOR, NEUTRAL SWITCH	1	
11	13650-52G00	SENSOR, INLET AIR TEMP	1	
12	13655-89L00	GROMMET, INLET AIR TEMP SENSOR	1	
13	18590-58M00	SENSOR, MAP	1	
14	01550-06207	BOLT	1	

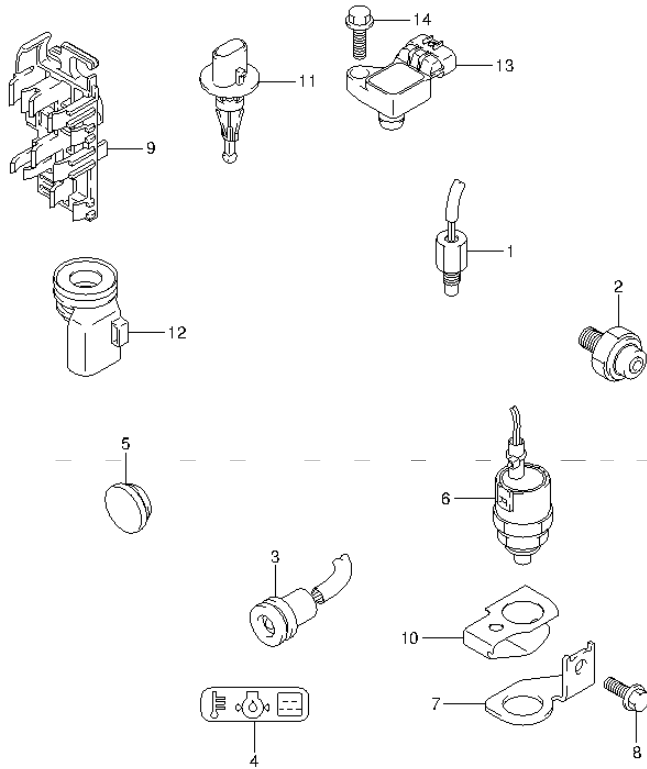


FIG.123

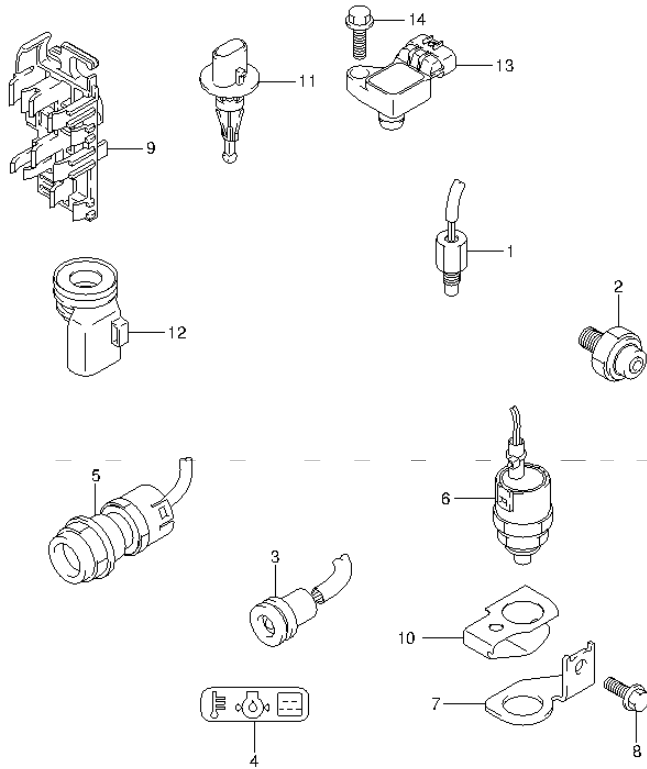


FIG.123 (1-K-10) SENSOR/SWITCH (DF20ATH P01)

REF NO.	PART NO.	DESCRIPTION	Q'TY	REMARKS
1	13640-32G00	SENSOR ENGINE, TEMP	1	
2	37820-93E10	SWITCH ASSY, OIL PRESSURE	1	
3	36360-99J10	INDICATOR, OIL PRESSURE	1	
4	36367-89L00	LABEL, WARNING	1	
5	37161-89L00	SWITCH ASSY, STARTER MOTOR	1	
6	37721-89L00	SWITCH ASSY, NEUTRAL	1	
7	37726-89L00	BRACKET, NEUTRAL SWITCH	1	
8	01550-06167	BOLT	1	
9	36616-89L01	HOLDER, CONNECTOR	1	
10	37725-89L00	ACTUATOR, NEUTRAL SWITCH	1	
11	13650-52G00	SENSOR, INLET AIR TEMP	1	
12	13655-89L00	GROMMET, INLET AIR TEMP SENSOR	1	
13	18590-58M00	SENSOR, MAP	1	
14	01550-06207	BOLT	1	



FIG.124

FIG.124 (1-K-11) HARNESS (DF9.9B P01)

REF NO.	PART NO.	DESCRIPTION	Q'TY	REMARKS
1	33810-89L01	CABLE, STARTER	1	W/ELECTRIC STARTER
2	09407-14403	CLAMP (L:125)	1	W/ELECTRIC STARTER
3	09407-14407	CLAMP (L:145)	1	W/ELECTRIC STARTER
4	01547-06167	BOLT	2	W/ELECTRIC STARTER
5-1	36610-89L02	HARNESS ASSY, WIRING	1	W/ELECTRIC STARTER
5-2	36610-89L12	HARNESS ASSY, WIRING	1	W/MANUAL STARTER
6	09481-10501	.FUSE (10A)	1	W/ELECTRIC STARTER
7	09481-30501	.FUSE (30A)	1	W/ELECTRIC STARTER
8	36618-43410	.CAP, OIL PRESSURE SWITCH	1	
9	36615-96300	TERMINAL, RESIN	1	
10	09407-14407	CLAMP (L:145)	4	
11	32916-89L00	COVER, CONNECTOR	1	W/ELECTRIC STARTER
12	36617-89L10	BRACKET, HARNESS	1	W/ELECTRIC STARTER
13	33634-96J00	CAP, SERVICE CONNECTOR	1	
14	36617-89L01	BRACKET, HARNESS	1	
15	36617-91J00	BRACKET, SWITCH LEAD	1	
16	09403-08404	CLAMP	1	
17	09408-00008	CLIP (ID:20)	1	
18	09408-00252	CLAMP	1	
19	09408-00297	CLAMP	1	
20	01550-06127	BOLT	2	
21	01550-06127	BOLT	1	

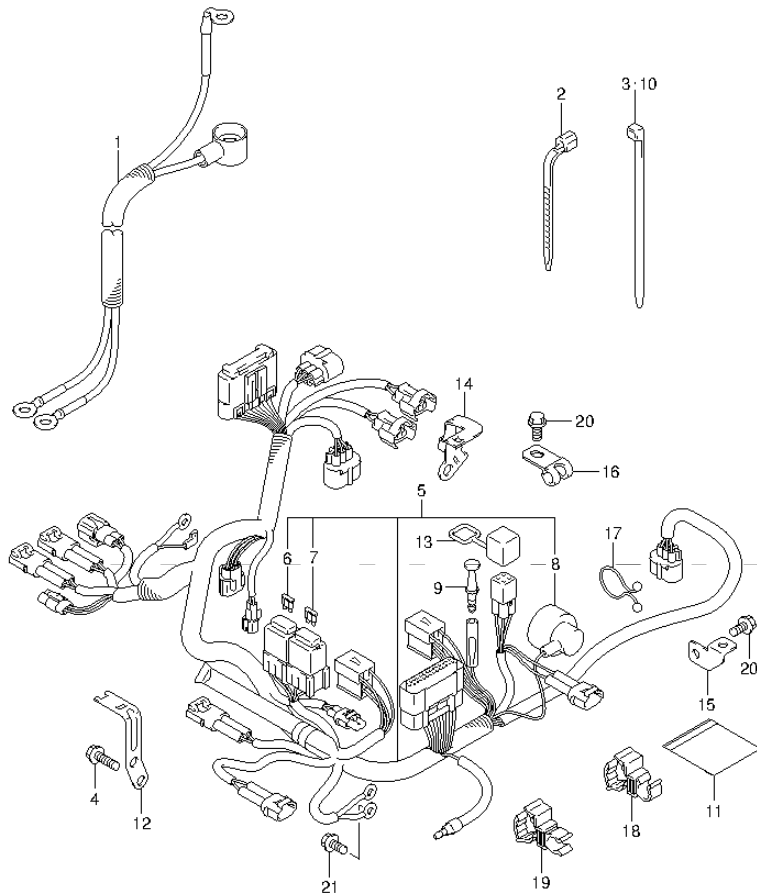
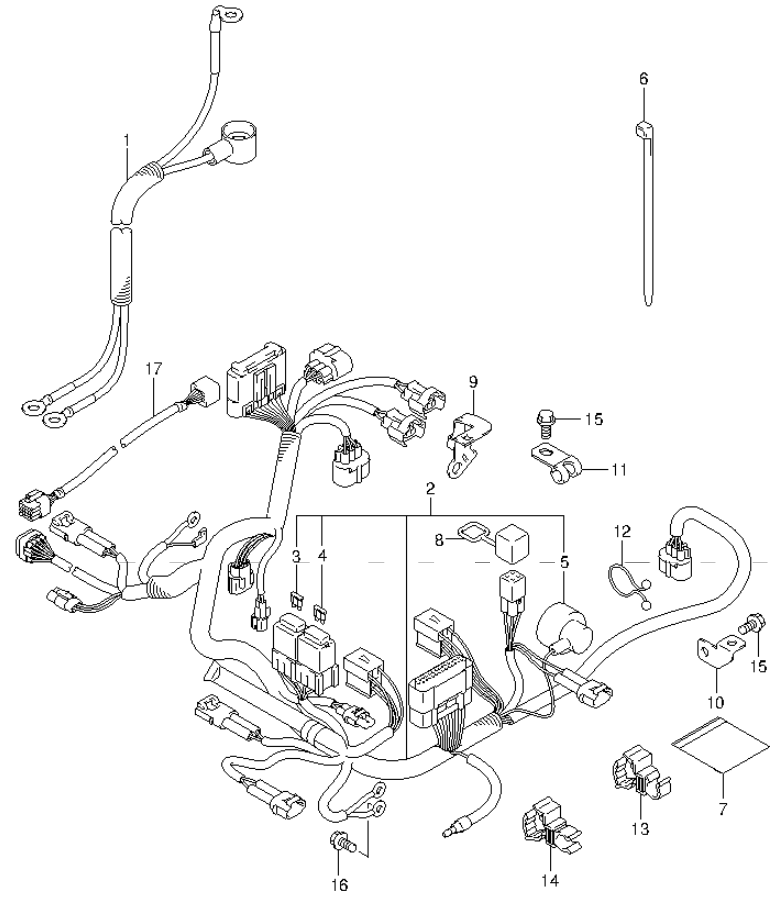


FIG.125

FIG.125 (1-K-12) HARNESS (DF9.9BR P01)



REF NO.	PART NO.	DESCRIPTION	Q'TY	REMARKS
1	33810-89L01	CABLE, STARTER	1	
2	36610-89L21	HARNESS ASSY, WIRING	1	
3	09481-10501	.FUSE (10A)	1	
4	09481-30501	.FUSE (30A)	1	
5	36618-43410	.CAP, OIL PRESSURE SWITCH	1	
6	09407-14407	CLAMP (L:145)	4	
7	32916-89L00	COVER, CONNECTOR	1	
8	33634-96J00	CAP, SERVICE CONNECTOR	1	
9	36617-89L01	BRACKET, HARNESS	1	
10	36617-91J00	BRACKET, SWITCH LEAD	1	
11	09403-08404	CLAMP	1	
12	09408-00008	CLIP (ID:20)	1	
13	09408-00296	CLAMP	1	
14	09408-00297	CLAMP	1	
15	01550-06127	BOLT	2	
16	01550-06127	BOLT	1	
17-1	36620-93J10	WIRE ASSY, REMOCON EXTENSION	1	OPT L:2000
17-2	36620-93J40	WIRE ASSY, REMOCON EXTENSION	1	OPT L:3000



FIG.126

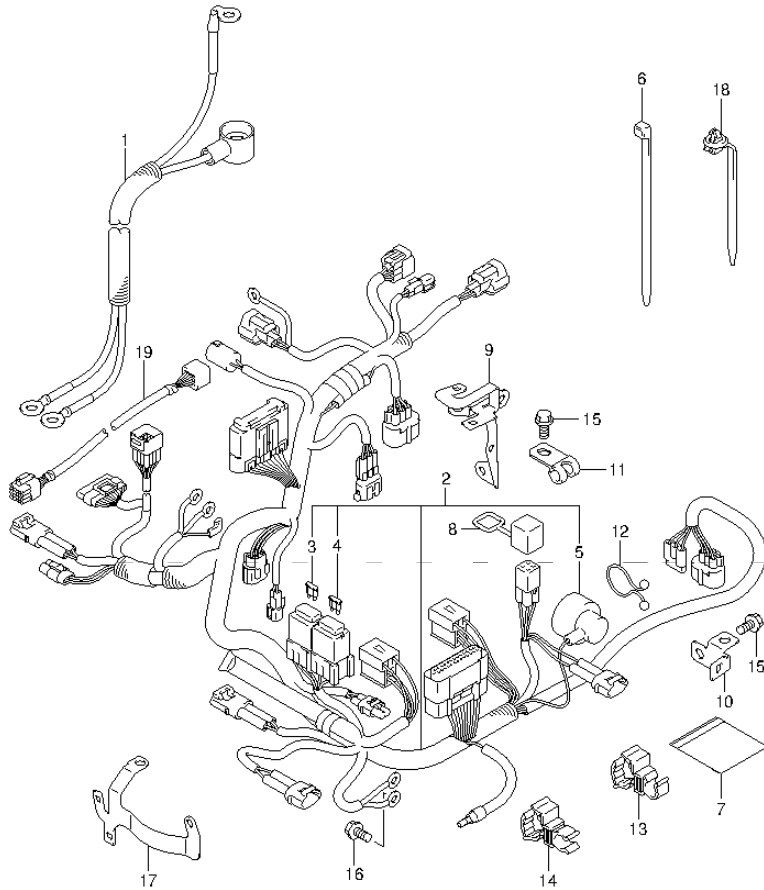


FIG.126 (1-K-13) HARNESS (DF9.9BT P01)

REF NO.	PART NO.	DESCRIPTION	Q'TY	REMARKS
1	33810-89L01	CABLE, STARTER	1	
2	36610-89L50	HARNESS ASSY, WIRING	1	
3	09481-10501	.FUSE (10A)	1	
4	09481-30501	.FUSE (30A)	1	
5	36618-43410	.CAP, OIL PRESSURE SWITCH	1	
6	09407-14407	CLAMP (L:145)	2	
7	32916-89L00	COVER, CONNECTOR	1	
8	33634-96J00	CAP, SERVICE CONNECTOR	1	
9	36617-89L30	BRACKET, HARNESS	1	
10	36617-89L20	BRACKET, SWITCH LEAD	1	
11	09403-08404	CLAMP	1	
12	09408-00024	CLIP (ID:23)	1	
13	09408-00296	CLAMP	1	
14	09408-00297	CLAMP	1	
15	01550-06127	BOLT	4	
16	01550-06127	BOLT	1	
17	36617-89L40	BRACKET, HARNESS	1	
18	36991-91J00	CLAMP, EMERGENCY SWITCH LEAD	1	
19-1	36620-93J10	WIRE ASSY, REMOCON EXTENSION	1	OPT L:2000
19-2	36620-93J40	WIRE ASSY, REMOCON EXTENSION	1	OPT L:3000

FIG.127

FIG.127 (1-K-14) HARNESS (DF15A P01)

REF NO.	PART NO.	DESCRIPTION	Q'TY	REMARKS
1	33810-89L01	CABLE, STARTER	1	W/ELECTRIC STARTER
2	09407-14403	CLAMP (L:125)	1	W/ELECTRIC STARTER
3	09407-14407	CLAMP (L:145)	1	W/ELECTRIC STARTER
4	01547-06167	BOLT	2	W/ELECTRIC STARTER
5-1	36610-89L02	HARNESS ASSY, WIRING	1	W/ELECTRIC STARTER
5-2	36610-89L12	HARNESS ASSY, WIRING	1	W/MANUAL STARTER
6	09481-10501	.FUSE (10A)	1	W/ELECTRIC STARTER
7	09481-30501	.FUSE (30A)	1	W/ELECTRIC STARTER
8	36618-43410	.CAP, OIL PRESSURE SWITCH	1	
9	36615-96300	TERMINAL, RESIN	1	
10	09407-14407	CLAMP (L:145)	4	
11	32916-89L00	COVER, CONNECTOR	1	W/ELECTRIC STARTER
12	36617-89L10	BRACKET, HARNESS	1	W/ELECTRIC STARTER
13	33634-96J00	CAP, SERVICE CONNECTOR	1	
14	36617-89L01	BRACKET, HARNESS	1	
15	36617-91J00	BRACKET, SWITCH LEAD	1	
16	09403-08404	CLAMP	1	
17	09408-00008	CLIP (ID:20)	1	
18	09408-00252	CLAMP	1	
19	09408-00297	CLAMP	1	
20	01550-06127	BOLT	2	
21	01550-06127	BOLT	1	

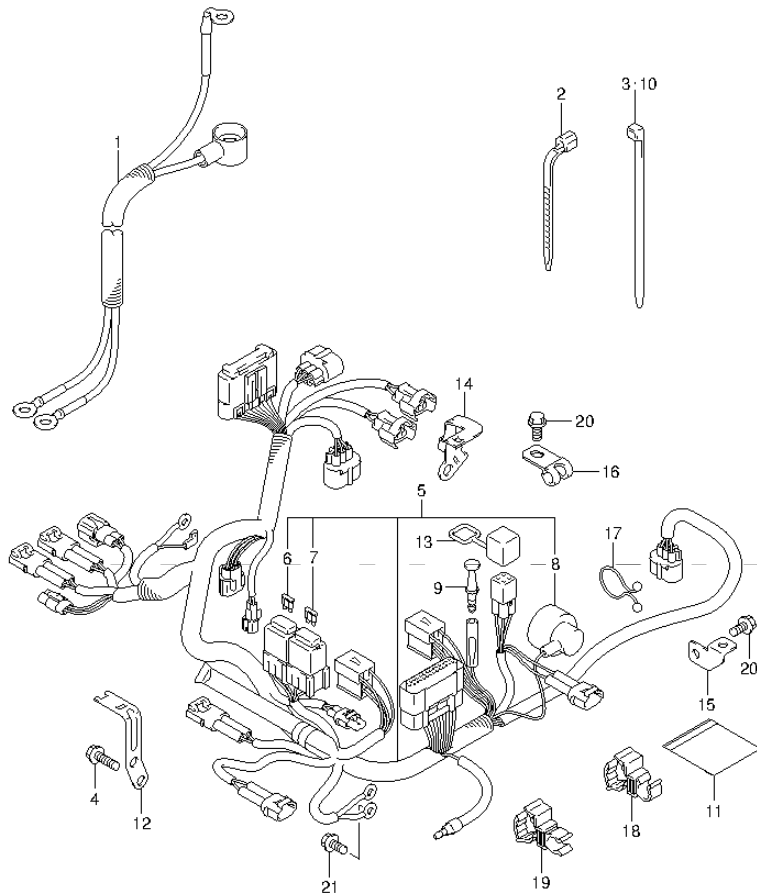


FIG.128

FIG.128 (1-K-15) HARNESS (DF15AR P01)

REF NO.	PART NO.	DESCRIPTION	Q'TY	REMARKS
1	33810-89L01	CABLE, STARTER	1	
2	36610-89L21	HARNESS ASSY, WIRING	1	
3	09481-10501	.FUSE (10A)	1	
4	09481-30501	.FUSE (30A)	1	
5	36618-43410	.CAP, OIL PRESSURE SWITCH	1	
6	09407-14407	CLAMP (L:145)	4	
7	32916-89L00	COVER, CONNECTOR	1	
8	33634-96J00	CAP, SERVICE CONNECTOR	1	
9	36617-89L01	BRACKET, HARNESS	1	
10	36617-91J00	BRACKET, SWITCH LEAD	1	
11	09403-08404	CLAMP	1	
12	09408-00008	CLIP (ID:20)	1	
13	09408-00296	CLAMP	1	
14	09408-00297	CLAMP	1	
15	01550-06127	BOLT	2	
16	01550-06127	BOLT	1	
17-1	36620-93J10	WIRE ASSY, REMOCON EXTENSION	1	OPT L:2000
17-2	36620-93J40	WIRE ASSY, REMOCON EXTENSION	1	OPT L:3000

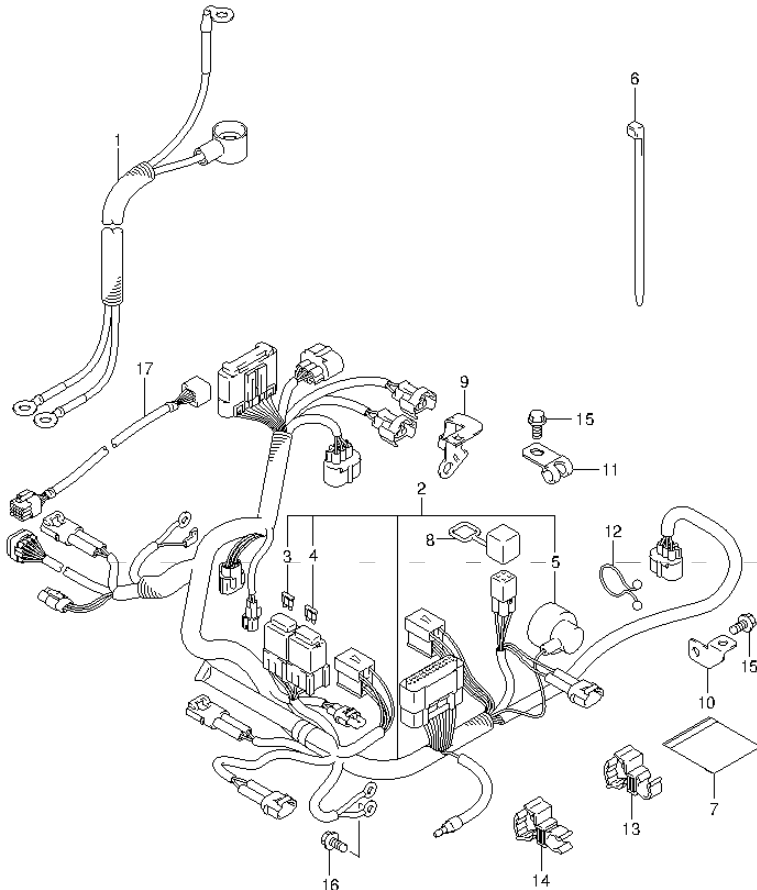


FIG.129

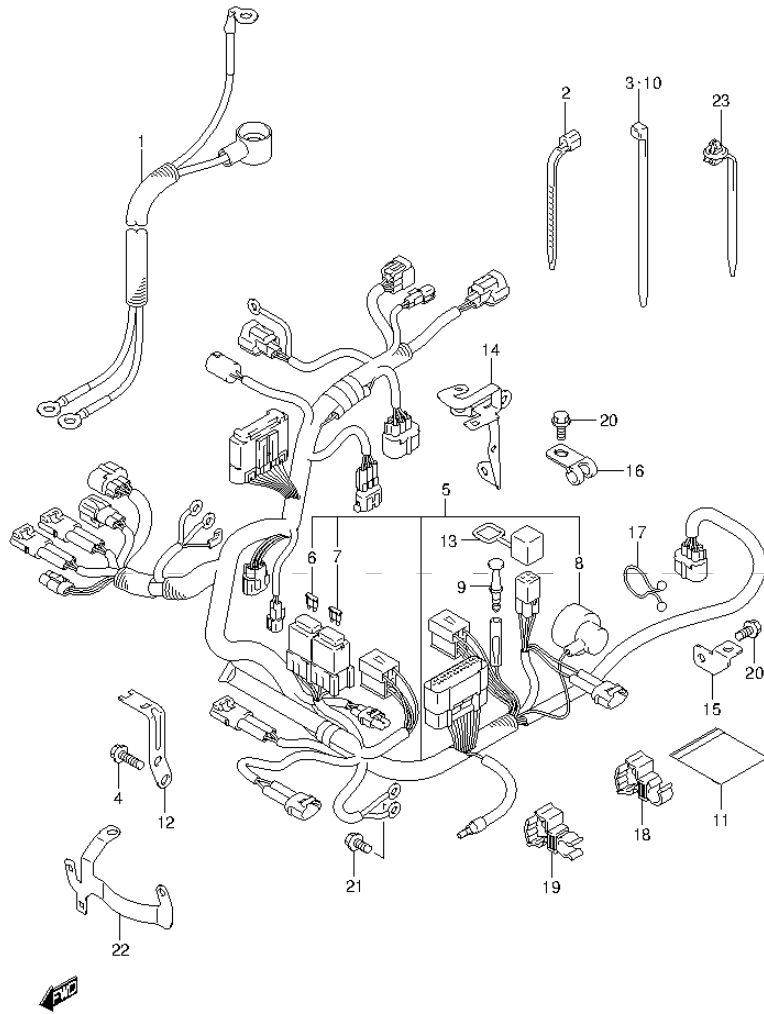


FIG.129 (1-L-2) HARNESS (DF15ATH P01)

REF NO.	PART NO.	DESCRIPTION	Q'TY	REMARKS
1	33810-89L01	CABLE, STARTER	1	
2	09407-14403	CLAMP (L:125)	1	
3	09407-14407	CLAMP (L:145)	1	
4	01547-06167	BOLT	2	
5	36610-89L40	HARNESS ASSY, WIRING	1	
6	09481-10501	.FUSE (10A)	1	
7	09481-30501	.FUSE (30A)	1	
8	36618-43410	.CAP, OIL PRESSURE SWITCH	1	
9	36615-96300	TERMINAL, RESIN	1	
10	09407-14407	CLAMP (L:145)	2	
11	32916-89L00	COVER, CONNECTOR	1	
12	36617-89L10	BRACKET, HARNESS	1	
13	33634-96J00	CAP, SERVICE CONNECTOR	1	
14	36617-89L30	BRACKET, HARNESS	1	
15	36617-91J00	BRACKET, SWITCH LEAD	1	
16	09403-08404	CLAMP	1	
17	09408-00008	CLIP (ID:20)	1	
18	09408-00252	CLAMP	1	
19	09408-00297	CLAMP	1	
20	01550-06127	BOLT	4	
21	01550-06127	BOLT	1	
22	36617-89L40	BRACKET, HARNESS	1	
23	36991-91J00	CLAMP, EMERGENCY SWITCH LEAD	1	

FIG.130

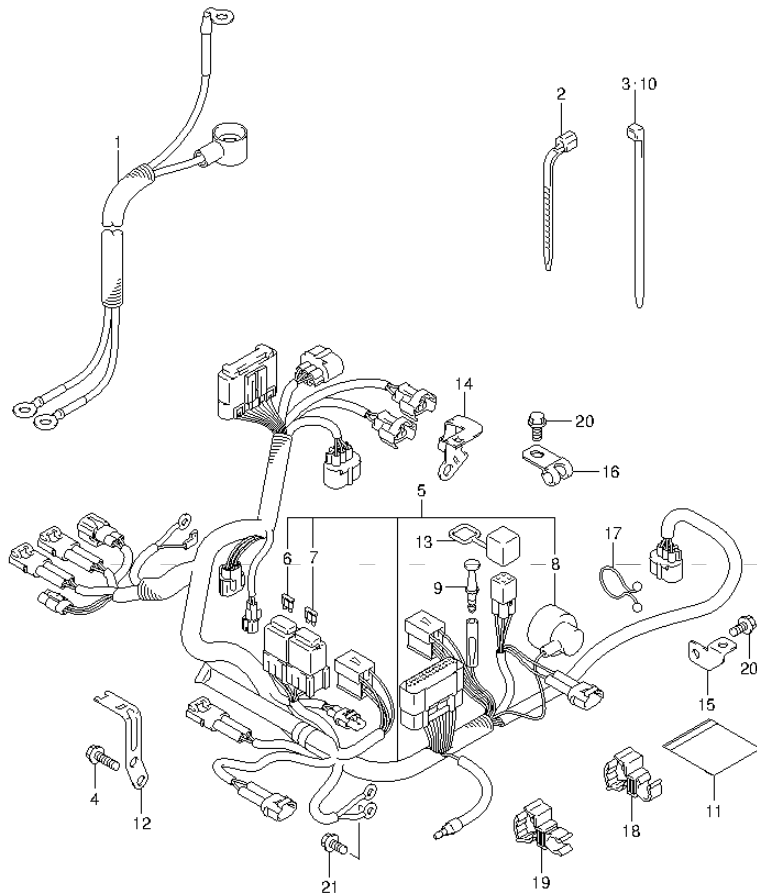


FIG.130 (1-L-3) HARNESS (DF20A P01)

REF NO.	PART NO.	DESCRIPTION	Q'TY	REMARKS
1	33810-89L01	CABLE, STARTER	1	W/ELECTRIC STARTER
2	09407-14403	CLAMP (L:125)	1	W/ELECTRIC STARTER
3	09407-14407	CLAMP (L:145)	1	W/ELECTRIC STARTER
4	01547-06167	BOLT	2	W/ELECTRIC STARTER
5-1	36610-89L02	HARNESS ASSY, WIRING	1	W/ELECTRIC STARTER
5-2	36610-89L12	HARNESS ASSY, WIRING	1	W/MANUAL STARTER
6	09481-10501	.FUSE (10A)	1	W/ELECTRIC STARTER
7	09481-30501	.FUSE (30A)	1	W/ELECTRIC STARTER
8	36618-43410	.CAP, OIL PRESSURE SWITCH	1	
9	36615-96300	TERMINAL, RESIN	1	
10	09407-14407	CLAMP (L:145)	4	
11	32916-89L00	COVER, CONNECTOR	1	W/ELECTRIC STARTER
12	36617-89L10	BRACKET, HARNESS	1	W/ELECTRIC STARTER
13	33634-96J00	CAP, SERVICE CONNECTOR	1	
14	36617-89L01	BRACKET, HARNESS	1	
15	36617-91J00	BRACKET, SWITCH LEAD	1	
16	09403-08404	CLAMP	1	
17	09408-00008	CLIP (ID:20)	1	
18	09408-00252	CLAMP	1	
19	09408-00297	CLAMP	1	
20	01550-06127	BOLT	2	
21	01550-06127	BOLT	1	



FIG.131

FIG.131 (1-L-4) HARNESS (DF20A P40)

REF NO.	PART NO.	DESCRIPTION	Q'TY	REMARKS
1	33810-89L01	CABLE, STARTER	1	W/ELECTRIC STARTER
2	09407-14403	CLAMP (L:125)	1	W/ELECTRIC STARTER
3	09407-14407	CLAMP (L:145)	1	W/ELECTRIC STARTER
4	01547-06167	BOLT	2	W/ELECTRIC STARTER
5-1	36610-89L02	HARNESS ASSY, WIRING	1	W/ELECTRIC STARTER
5-2	36610-89L12	HARNESS ASSY, WIRING	1	W/MANUAL STARTER
6	09481-10501	.FUSE (10A)	1	W/ELECTRIC STARTER
7	09481-30501	.FUSE (30A)	1	W/ELECTRIC STARTER
8	36618-43410	.CAP, OIL PRESSURE SWITCH	1	
9	36615-96300	TERMINAL, RESIN	1	
10	09407-14407	CLAMP (L:145)	4	
11	32916-89L00	COVER, CONNECTOR	1	W/ELECTRIC STARTER
12	36617-89L10	BRACKET, HARNESS	1	W/ELECTRIC STARTER
13	33634-96J00	CAP, SERVICE CONNECTOR	1	
14	36617-89L01	BRACKET, HARNESS	1	
15	36617-91J00	BRACKET, SWITCH LEAD	1	
16	09403-08404	CLAMP	1	
17	09408-00008	CLIP (ID:20)	1	
18	09408-00252	CLAMP	1	
19	09408-00297	CLAMP	1	
20	01550-06127	BOLT	2	
21	01550-06127	BOLT	1	

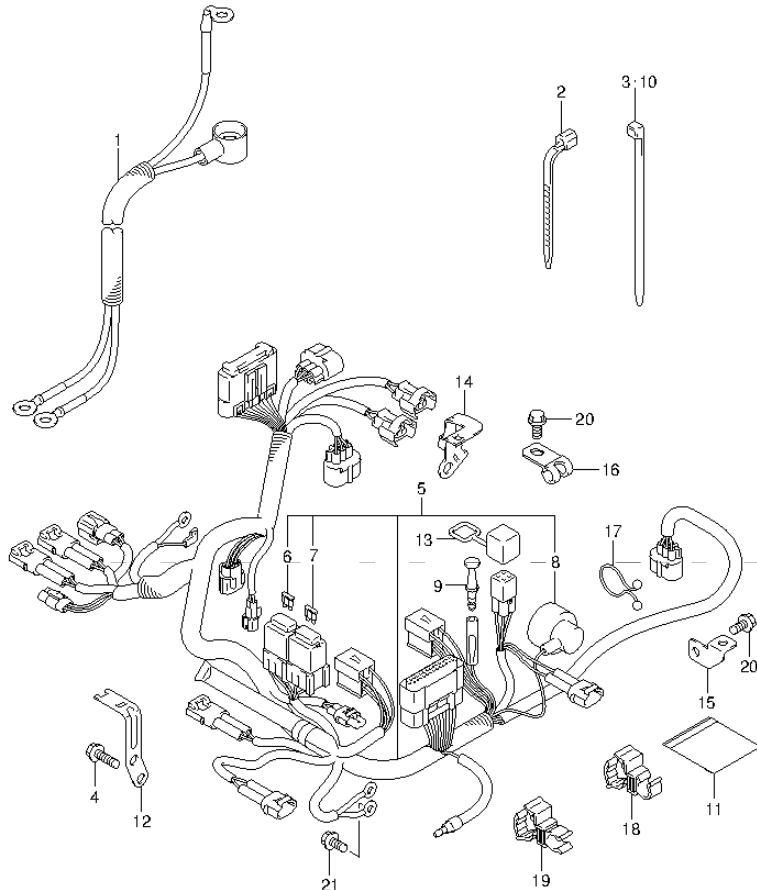


FIG.132

FIG.132 (1-L-5) HARNESS (DF20AR P01)

REF NO.	PART NO.	DESCRIPTION	Q'TY	REMARKS
1	33810-89L01	CABLE, STARTER	1	
2	36610-89L21	HARNESS ASSY, WIRING	1	
3	09481-10501	.FUSE (10A)	1	
4	09481-30501	.FUSE (30A)	1	
5	36618-43410	.CAP, OIL PRESSURE SWITCH	1	
6	09407-14407	CLAMP (L:145)	4	
7	32916-89L00	COVER, CONNECTOR	1	
8	33634-96J00	CAP, SERVICE CONNECTOR	1	
9	36617-89L01	BRACKET, HARNESS	1	
10	36617-91J00	BRACKET, SWITCH LEAD	1	
11	09403-08404	CLAMP	1	
12	09408-00008	CLIP (ID:20)	1	
13	09408-00296	CLAMP	1	
14	09408-00297	CLAMP	1	
15	01550-06127	BOLT	2	
16	01550-06127	BOLT	1	
17-1	36620-93J10	WIRE ASSY, REMOCON EXTENSION	1	OPT L:2000
17-2	36620-93J40	WIRE ASSY, REMOCON EXTENSION	1	OPT L:3000

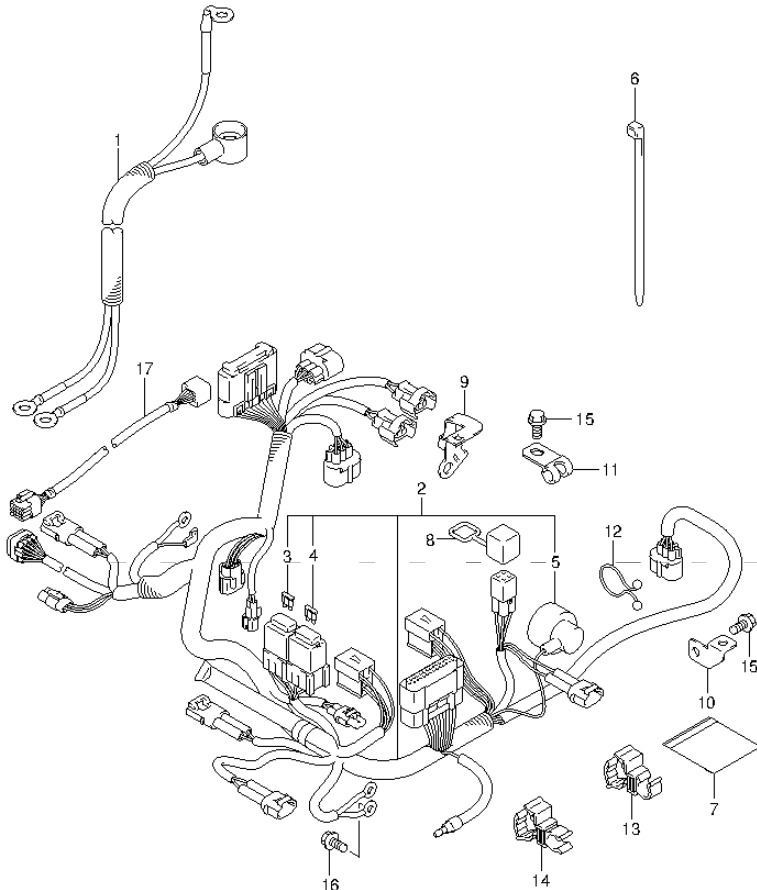


FIG.133

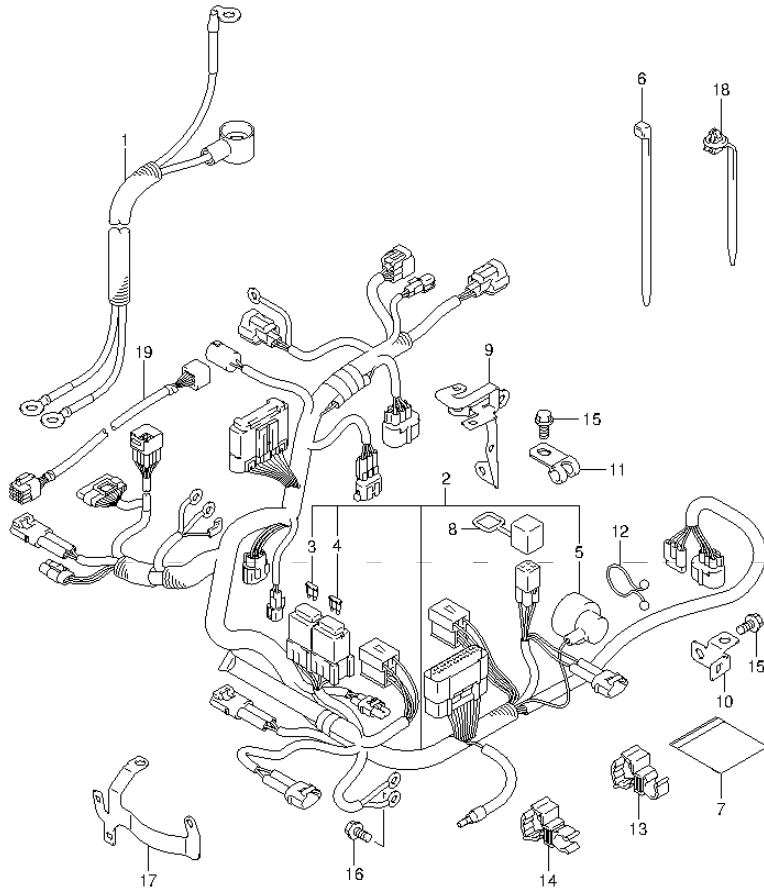


FIG.133 (1-L-6) HARNESS (DF20AT P01)

REF NO.	PART NO.	DESCRIPTION	Q'TY	REMARKS
1	33810-89L01	CABLE, STARTER	1	
2	36610-89L50	HARNESS ASSY, WIRING	1	
3	09481-10501	.FUSE (10A)	1	
4	09481-30501	.FUSE (30A)	1	
5	36618-43410	.CAP, OIL PRESSURE SWITCH	1	
6	09407-14407	CLAMP (L:145)	2	
7	32916-89L00	COVER, CONNECTOR	1	
8	33634-96J00	CAP, SERVICE CONNECTOR	1	
9	36617-89L30	BRACKET, HARNESS	1	
10	36617-89L20	BRACKET, SWITCH LEAD	1	
11	09403-08404	CLAMP	1	
12	09408-00024	CLIP (ID:23)	1	
13	09408-00296	CLAMP	1	
14	09408-00297	CLAMP	1	
15	01550-06127	BOLT	4	
16	01550-06127	BOLT	1	
17	36617-89L40	BRACKET, HARNESS	1	
18	36991-91J00	CLAMP, EMERGENCY SWITCH LEAD	1	
19-1	36620-93J10	WIRE ASSY, REMOCON EXTENSION	1	OPT L:2000
19-2	36620-93J40	WIRE ASSY, REMOCON EXTENSION	1	OPT L:3000



FIG.134

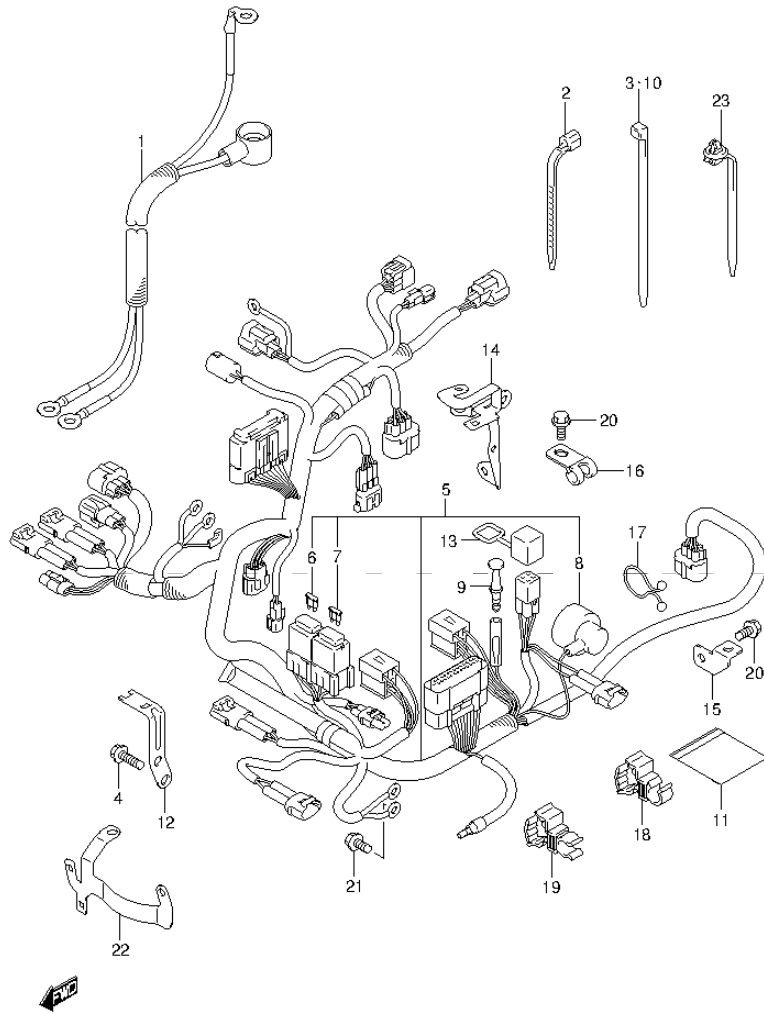
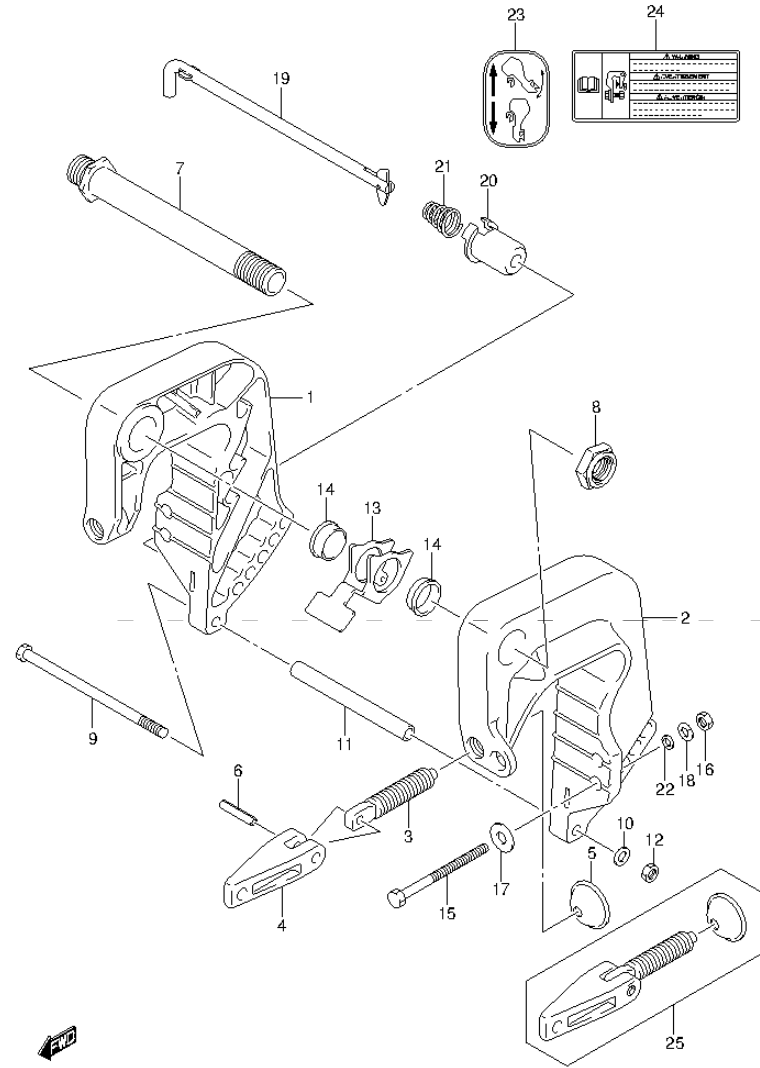


FIG.134 (1-L-7) HARNESS (DF20ATH P01)

REF NO.	PART NO.	DESCRIPTION	Q'TY	REMARKS
1	33810-89L01	CABLE, STARTER	1	
2	09407-14403	CLAMP (L:125)	1	
3	09407-14407	CLAMP (L:145)	1	
4	01547-06167	BOLT	2	
5	36610-89L40	HARNESS ASSY, WIRING	1	
6	09481-10501	.FUSE (10A)	1	
7	09481-30501	.FUSE (30A)	1	
8	36618-43410	.CAP, OIL PRESSURE SWITCH	1	
9	36615-96300	TERMINAL, RESIN	1	
10	09407-14407	CLAMP (L:145)	2	
11	32916-89L00	COVER, CONNECTOR	1	
12	36617-89L10	BRACKET, HARNESS	1	
13	33634-96J00	CAP, SERVICE CONNECTOR	1	
14	36617-89L30	BRACKET, HARNESS	1	
15	36617-91J00	BRACKET, SWITCH LEAD	1	
16	09403-08404	CLAMP	1	
17	09408-00008	CLIP (ID:20)	1	
18	09408-00252	CLAMP	1	
19	09408-00297	CLAMP	1	
20	01550-06127	BOLT	4	
21	01550-06127	BOLT	1	
22	36617-89L40	BRACKET, HARNESS	1	
23	36991-91J00	CLAMP, EMERGENCY SWITCH LEAD	1	

FIG.135

FIG.135 (1-L-8) CLAMP BRACKET (DF9.9B P01)



REF NO.	PART NO.	DESCRIPTION	Q'TY	REMARKS
1	41111-89L00-OEP	BRACKET, CLAMP STBD (BLACK)	1	
2	41121-89L00-OEP	BRACKET, CLAMP PORT (BLACK)	1	
3	41211-99JL0	SCREW, CLAMP	2	
4	41212-91J00	HANDLE, CLAMP	2	
5	41213-98100	PLATE, CLAMP	2	
6	09205-06007	SPRING PIN (6X25)	2	
7	41130-90L00	SHAFT, CLAMP BRACKET	1	
8	09159-22006	NUT	1	
9	09100-06178	BOLT (6X150)	1	
10	09160-06082	WASHER (6.5X13X1.0)	1	
11	09180-06366	SPACER (6.5X10.5X114)	1	
12	29141-93J00	NUT, CLAMP BRKT LOWER (M6)	1	
13	45261-89L00	LEVER, RELEASE	1	
14	09306-22006	BUSH (22.6X27X8)	2	
15	09100-08311	BOLT (8X90)	2	
16	09140-08023-XC0	NUT	2	
17	09160-08081	WASHER (8.5X23X1.5)	2	
18	29162-93J10	WASHER, TRANSOM BOLT LOCK	2	
19	45420-89L00	PIN, TILT LOCK	1	
20	45425-94J00	STOPPER, TILT LOCK PIN	1	
21	09441-17001	SPRING	1	
22	09160-08170	WASHER (8.5X16X2)	2	
23	45269-89L00	MARK, REVERSE LOCK	1	
24	69911-91J40	MARK, CLAMP BRACKET	1	
25	41210-99JL1	SCREW SET, CLAMP	1	OPT

FIG.136

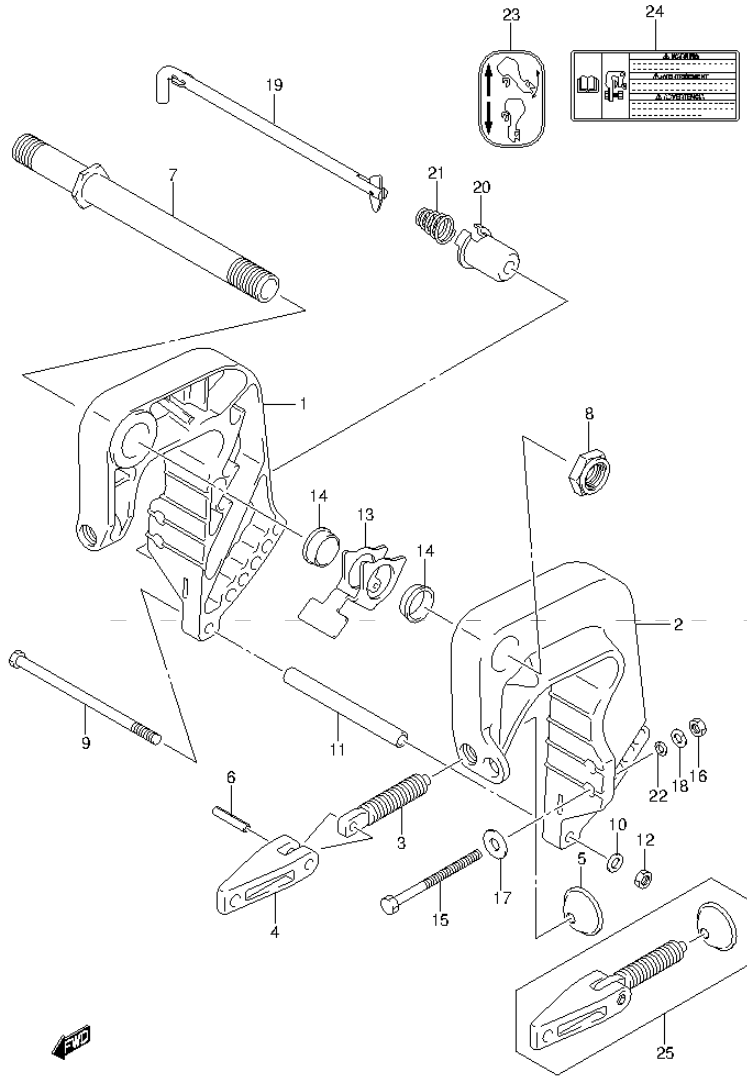


FIG.136 (1-L-9) CLAMP BRACKET (DF9.9BR P01)

REF NO.	PART NO.	DESCRIPTION	Q'TY	REMARKS
1	41111-89L00-OEP	BRACKET, CLAMP STBD (BLACK)	1	
2	41121-89L00-OEP	BRACKET, CLAMP PORT (BLACK)	1	
3	41211-99JL0	SCREW, CLAMP	2	
4	41212-91J00	HANDLE, CLAMP	2	
5	41213-98100	PLATE, CLAMP	2	
6	09205-06007	SPRING PIN (6X25)	2	
7	41130-89L00	SHAFT, CLAMP BRACKET	1	
8	09159-22006	NUT	1	
9	09100-06178	BOLT (6X150)	1	
10	09160-06082	WASHER (6.5X13X1.0)	1	
11	09180-06366	SPACER (6.5X10.5X114)	1	
12	29141-93J00	NUT, CLAMP BRKT LOWER (M6)	1	
13	45261-89L00	LEVER, RELEASE	1	
14	09306-22006	BUSH (22.6X27X8)	2	
15	09100-08311	BOLT (8X90)	2	
16	09140-08023-XC0	NUT	2	
17	09160-08081	WASHER (8.5X23X1.5)	2	
18	29162-93J10	WASHER, TRANSOM BOLT LOCK	2	
19	45420-89L00	PIN, TILT LOCK	1	
20	45425-94J00	STOPPER, TILT LOCK PIN	1	
21	09441-17001	SPRING	1	
22	09160-08170	WASHER (8.5X16X2)	2	
23	45269-89L00	MARK, REVERSE LOCK	1	
24	69911-91J40	MARK, CLAMP BRACKET	1	
25	41210-99JL1	SCREW SET, CLAMP	1	OPT

FIG.137

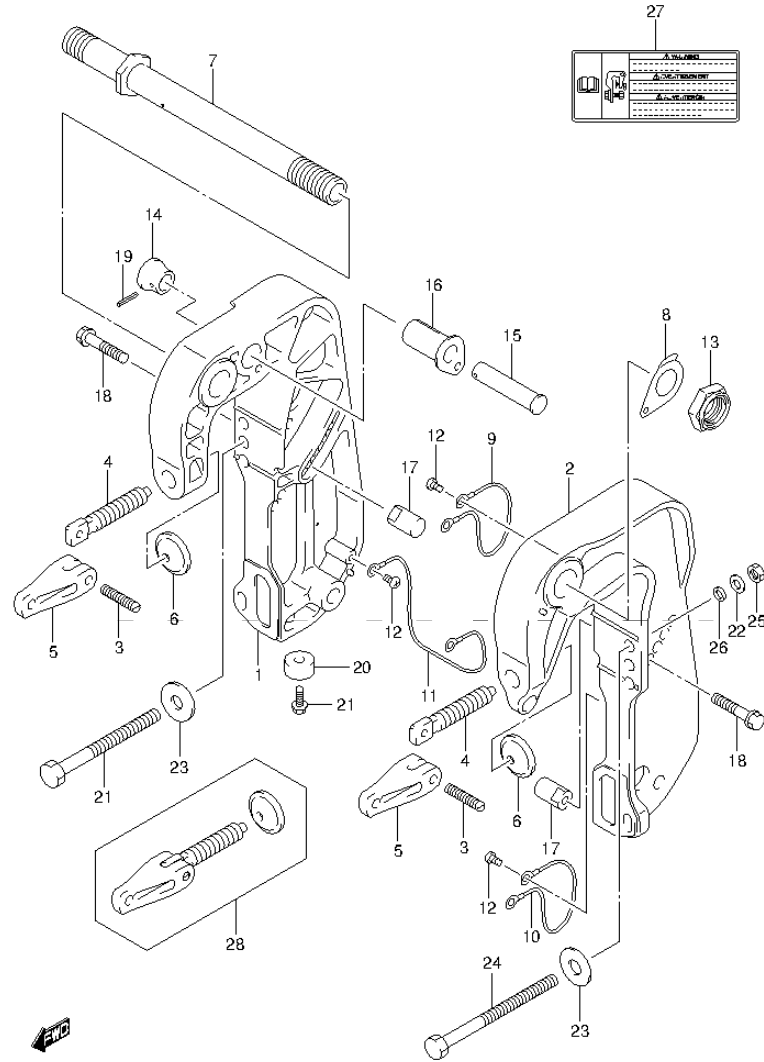
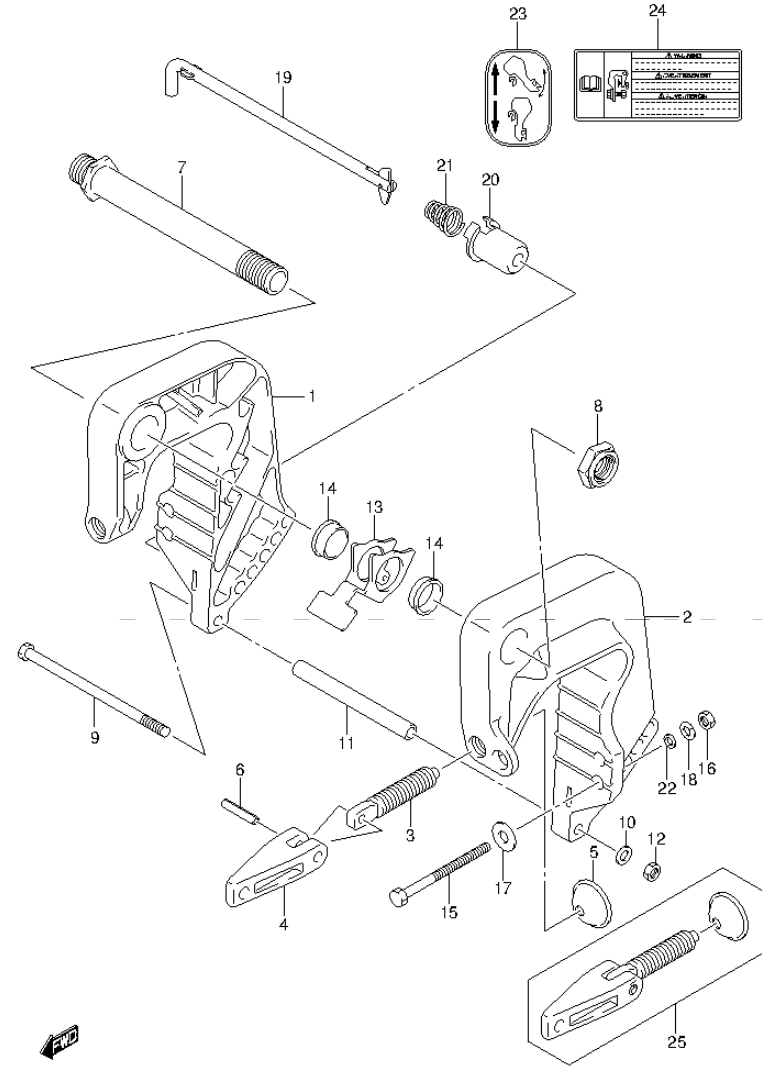


FIG.137 (1-L-10) CLAMP BRACKET (DF9.9BT P01)

REF NO.	PART NO.	DESCRIPTION	Q'TY	REMARKS
1	41111-89LA0-0EP	BRACKET, CLAMP STBD (BLACK)	1	
2	41121-89LA0-0EP	BRACKET, CLAMP PORT (BLACK)	1	
3	09205-06007	SPRING PIN (6X25)	2	
4	41211-95J00	SCREW, CLAMP	2	
5	41212-91J00	HANDLE, CLAMP	2	
6	41213-98100	PLATE, CLAMP	2	
7	41130-94JA1	SHAFT, CLAMP BRKT	1	
8	41135-93J11	WASHER, CLAMP BRKT SHAFT	1	
9	36894-87D00	LEAD, SWIVEL TO CLAMP	1	
10	36894-87D00	LEAD, PWR TILT TO CLAMP PORT	1	
11	36895-87D01	LEAD, PWR TILT TO CLAMP STBD	1	
12	09125-06063	SCREW (6X10)	5	
13	09159-22006	NUT	1	
14	41221-94JA0	KNOB, TILT STOPPER	1	
15	41222-94JA0	PIN, TILT STOPPER	1	
16	41226-94JA0	BUSH, TILT STOPPER	1	
17	45421-94JA0	PIN, TILT LOCK	2	
18	09116-08128	BOLT (8X40)	2	
19	09205-03004	SPRING PIN (3X20)	1	
20-1	55321-87J00	ANODE, PROTECTION	2	
20-2	55321-87J10	ANODE(MAGNESIUM)	1	OPT
21	09103-06281	BOLT (6X14)	2	
22	29162-93J10	WASHER, TRANSOM BOLT LOCK	2	
23	09160-08081	WASHER (8.5X23X1.5)	2	
24	09100-08311	BOLT (8X90)	2	
25	09140-08023-XC0	NUT	2	
26	09160-08170	WASHER (8.5X16X2)	2	
27	69911-91J40	MARK, CLAMP BRACKET	1	
28	41210-89LA0	SCREW SET, CLAMP	1	OPT

FIG.138

FIG.138 (1-L-11) CLAMP BRACKET (DF15A P01)



REF NO.	PART NO.	DESCRIPTION	Q'TY	REMARKS
1	41111-89L00-OEP	BRACKET, CLAMP STBD (BLACK)	1	
2	41121-89L00-OEP	BRACKET, CLAMP PORT (BLACK)	1	
3	41211-99JL0	SCREW, CLAMP	2	
4	41212-91J00	HANDLE, CLAMP	2	
5	41213-98100	PLATE, CLAMP	2	
6	09205-06007	SPRING PIN (6X25)	2	
7	41130-90L00	SHAFT, CLAMP BRACKET	1	
8	09159-22006	NUT	1	
9	09100-06178	BOLT (6X150)	1	
10	09160-06082	WASHER (6.5X13X1.0)	1	
11	09180-06366	SPACER (6.5X10.5X114)	1	
12	29141-93J00	NUT, CLAMP BRKT LOWER (M6)	1	
13	45261-89L00	LEVER, RELEASE	1	
14	09306-22006	BUSH (22.6X27X8)	2	
15	09100-08311	BOLT (8X90)	2	
16	09140-08023-XC0	NUT	2	
17	09160-08081	WASHER (8.5X23X1.5)	2	
18	29162-93J10	WASHER, TRANSOM BOLT LOCK	2	
19	45420-89L00	PIN, TILT LOCK	1	
20	45425-94J00	STOPPER, TILT LOCK PIN	1	
21	09441-17001	SPRING	1	
22	09160-08170	WASHER (8.5X16X2)	2	
23	45269-89L00	MARK, REVERSE LOCK	1	
24	69911-91J40	MARK, CLAMP BRACKET	1	
25	41210-99JL1	SCREW SET, CLAMP	1	OPT

FIG.139

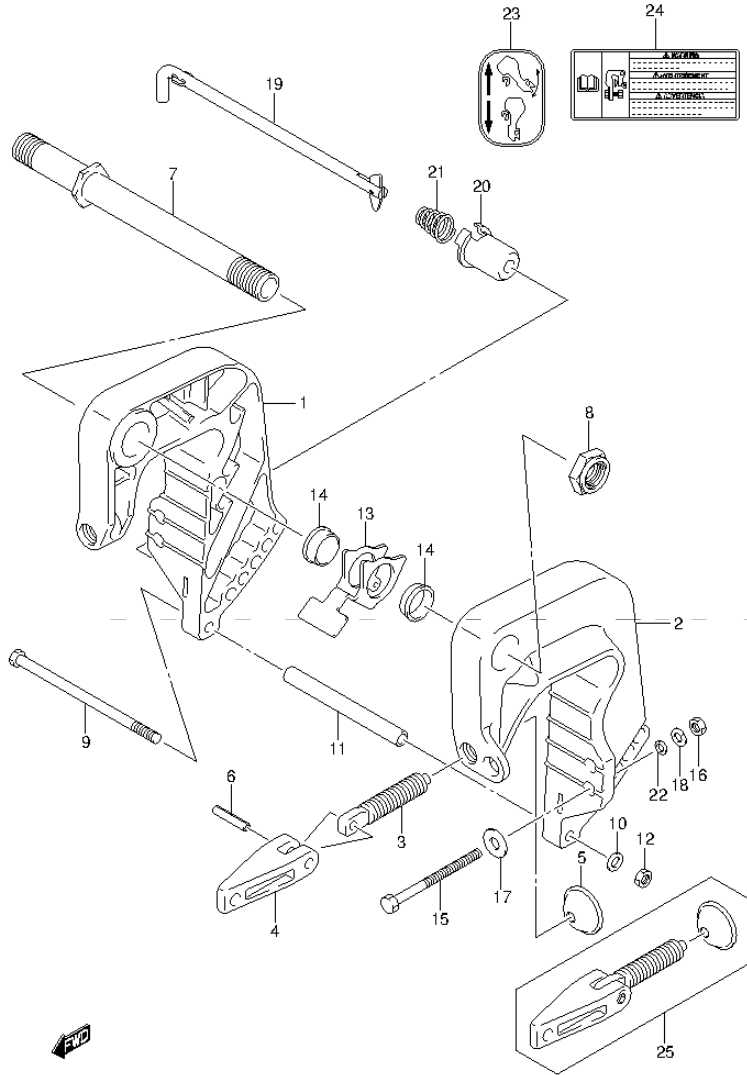


FIG.139 (1-L-12) CLAMP BRACKET (DF15AR P01)

REF NO.	PART NO.	DESCRIPTION	Q'TY	REMARKS
1	41111-89L00-OEP	BRACKET, CLAMP STBD (BLACK)	1	
2	41121-89L00-OEP	BRACKET, CLAMP PORT (BLACK)	1	
3	41211-99JL0	SCREW, CLAMP	2	
4	41212-91J00	HANDLE, CLAMP	2	
5	41213-98100	PLATE, CLAMP	2	
6	09205-06007	SPRING PIN (6X25)	2	
7	41130-89L00	SHAFT, CLAMP BRACKET	1	
8	09159-22006	NUT	1	
9	09100-06178	BOLT (6X150)	1	
10	09160-06082	WASHER (6.5X13X1.0)	1	
11	09180-06366	SPACER (6.5X10.5X114)	1	
12	29141-93J00	NUT, CLAMP BRKT LOWER (M6)	1	
13	45261-89L00	LEVER, RELEASE	1	
14	09306-22006	BUSH (22.6X27X8)	2	
15	09100-08311	BOLT (8X90)	2	
16	09140-08023-XC0	NUT	2	
17	09160-08081	WASHER (8.5X23X1.5)	2	
18	29162-93J10	WASHER, TRANSOM BOLT LOCK	2	
19	45420-89L00	PIN, TILT LOCK	1	
20	45425-94J00	STOPPER, TILT LOCK PIN	1	
21	09441-17001	SPRING	1	
22	09160-08170	WASHER (8.5X16X2)	2	
23	45269-89L00	MARK, REVERSE LOCK	1	
24	69911-91J40	MARK, CLAMP BRACKET	1	
25	41210-99JL1	SCREW SET, CLAMP	1	OPT

FIG.140

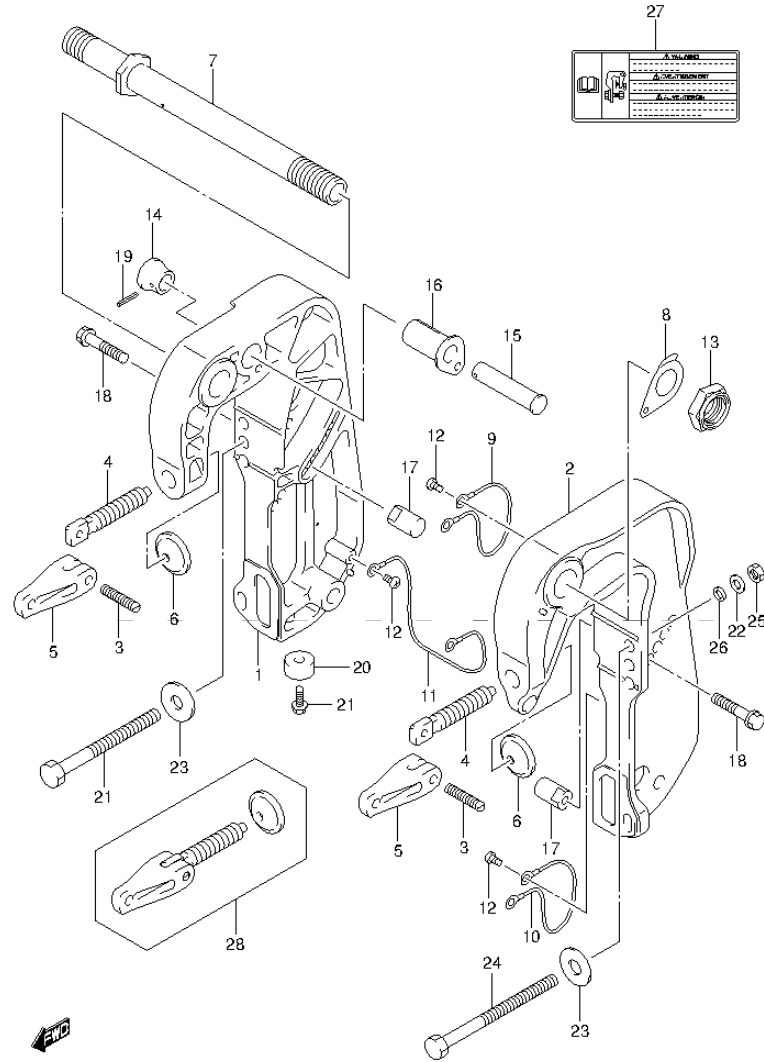


FIG.140 (1-L-13) CLAMP BRACKET (DF15ATH P01)

REF NO.	PART NO.	DESCRIPTION	Q'TY	REMARKS
1	41111-89LA0-0EP	BRACKET, CLAMP STBD (BLACK)	1	
2	41121-89LA0-0EP	BRACKET, CLAMP PORT (BLACK)	1	
3	09205-06007	SPRING PIN (6X25)	2	
4	41211-95J00	SCREW, CLAMP	2	
5	41212-91J00	HANDLE, CLAMP	2	
6	41213-98100	PLATE, CLAMP	2	
7	41130-94JA1	SHAFT, CLAMP BRKT	1	
8	41135-93J11	WASHER, CLAMP BRKT SHAFT	1	
9	36894-87D00	LEAD, SWIVEL TO CLAMP	1	
10	36894-87D00	LEAD, PWR TILT TO CLAMP PORT	1	
11	36895-87D01	LEAD, PWR TILT TO CLAMP STBD	1	
12	09125-06063	SCREW (6X10)	5	
13	09159-22006	NUT	1	
14	41221-94JA0	KNOB, TILT STOPPER	1	
15	41222-94JA0	PIN, TILT STOPPER	1	
16	41226-94JA0	BUSH, TILT STOPPER	1	
17	45421-94JA0	PIN, TILT LOCK	2	
18	09116-08128	BOLT (8X40)	2	
19	09205-03004	SPRING PIN (3X20)	1	
20-1	55321-87J00	ANODE, PROTECTION	2	
20-2	55321-87J10	ANODE(MAGNESIUM)	1	OPT
21	09103-06281	BOLT (6X14)	2	
22	29162-93J10	WASHER, TRANSOM BOLT LOCK	2	
23	09160-08081	WASHER (8.5X23X1.5)	2	
24	09100-08311	BOLT (8X90)	2	
25	09140-08023-XC0	NUT	2	
26	09160-08170	WASHER (8.5X16X2)	2	
27	69911-91J40	MARK, CLAMP BRACKET	1	
28	41210-89LA0	SCREW SET, CLAMP	1	OPT

FIG.141

FIG.141 (1-L-14) CLAMP BRACKET (DF20A P01)

REF NO.	PART NO.	DESCRIPTION	Q'TY	REMARKS
1	41111-89L00-OEP	BRACKET, CLAMP STBD (BLACK)	1	
2	41121-89L00-OEP	BRACKET, CLAMP PORT (BLACK)	1	
3	41211-99JL0	SCREW, CLAMP	2	
4	41212-91J00	HANDLE, CLAMP	2	
5	41213-98100	PLATE, CLAMP	2	
6	09205-06007	SPRING PIN (6X25)	2	
7	41130-90L00	SHAFT, CLAMP BRACKET	1	
8	09159-22006	NUT	1	
9	09100-06178	BOLT (6X150)	1	
10	09160-06082	WASHER (6.5X13X1.0)	1	
11	09180-06366	SPACER (6.5X10.5X114)	1	
12	29141-93J00	NUT, CLAMP BRKT LOWER (M6)	1	
13	45261-89L00	LEVER, RELEASE	1	
14	09306-22006	BUSH (22.6X27X8)	2	
15	09100-08311	BOLT (8X90)	2	
16	09140-08023-XC0	NUT	2	
17	09160-08081	WASHER (8.5X23X1.5)	2	
18	29162-93J10	WASHER, TRANSOM BOLT LOCK	2	
19	45420-89L00	PIN, TILT LOCK	1	
20	45425-94J00	STOPPER, TILT LOCK PIN	1	
21	09441-17001	SPRING	1	
22	09160-08170	WASHER (8.5X16X2)	2	
23	45269-89L00	MARK, REVERSE LOCK	1	
24	69911-91J40	MARK, CLAMP BRACKET	1	
25	41210-99JL1	SCREW SET, CLAMP	1	OPT

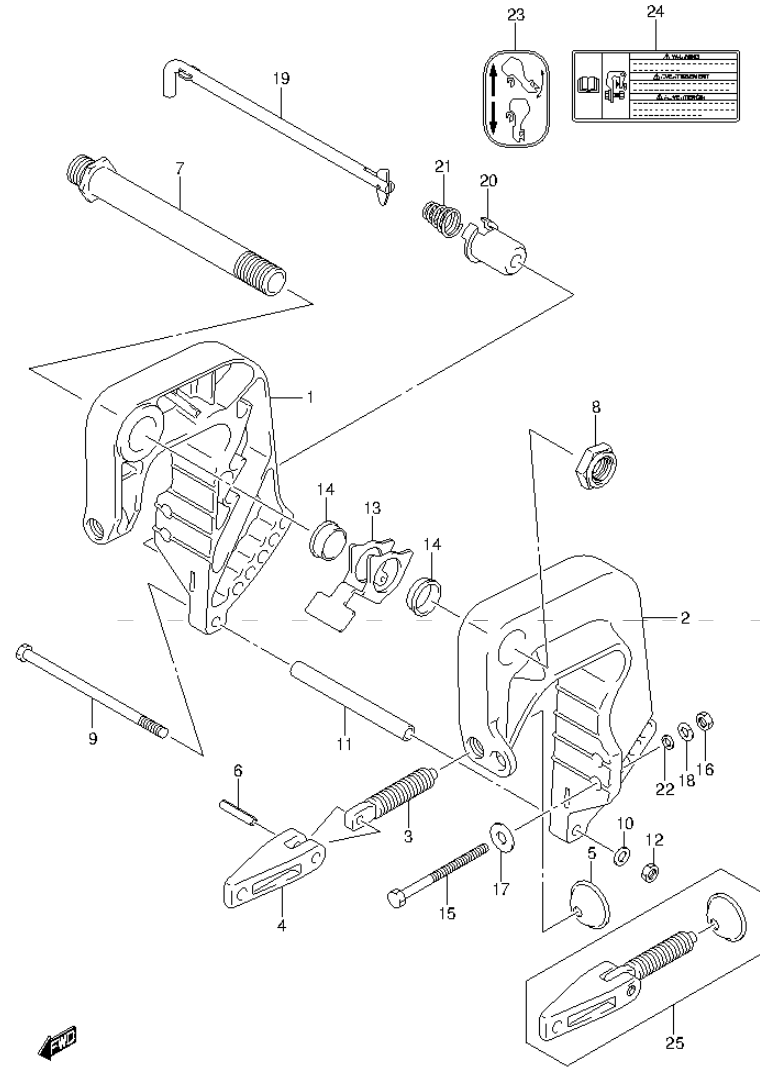


FIG.142

FIG.142 (1-L-15) CLAMP BRACKET (DF20A P40)

REF NO.	PART NO.	DESCRIPTION	Q'TY	REMARKS
1	41111-89L00-OEP	BRACKET, CLAMP STBD (BLACK)	1	
2	41121-89L00-OEP	BRACKET, CLAMP PORT (BLACK)	1	
3	41211-99JL0	SCREW, CLAMP	2	
4	41212-91J00	HANDLE, CLAMP	2	
5	41213-98100	PLATE, CLAMP	2	
6	09205-06007	SPRING PIN (6X25)	2	
7	41130-90L00	SHAFT, CLAMP BRACKET	1	
8	09159-22006	NUT	1	
9	09100-06178	BOLT (6X150)	1	
10	09160-06082	WASHER (6.5X13X1.0)	1	
11	09180-06366	SPACER (6.5X10.5X114)	1	
12	29141-93J00	NUT, CLAMP BRKT LOWER (M6)	1	
13	45261-89L00	LEVER, RELEASE	1	
14	09306-22006	BUSH (22.6X27X8)	2	
15	09100-08311	BOLT (8X90)	2	
16	09140-08023-XC0	NUT	2	
17	09160-08081	WASHER (8.5X23X1.5)	2	
18	29162-93J10	WASHER, TRANSOM BOLT LOCK	2	
19	45420-89L00	PIN, TILT LOCK	1	
20	45425-94J00	STOPPER, TILT LOCK PIN	1	
21	09441-17001	SPRING	1	
22	09160-08170	WASHER (8.5X16X2)	2	
23	45269-89L00	MARK, REVERSE LOCK	1	
24	69911-91J00	MARK, CLAMP BRACKET	1	
25	41210-99JL1	SCREW SET, CLAMP	1	OPT

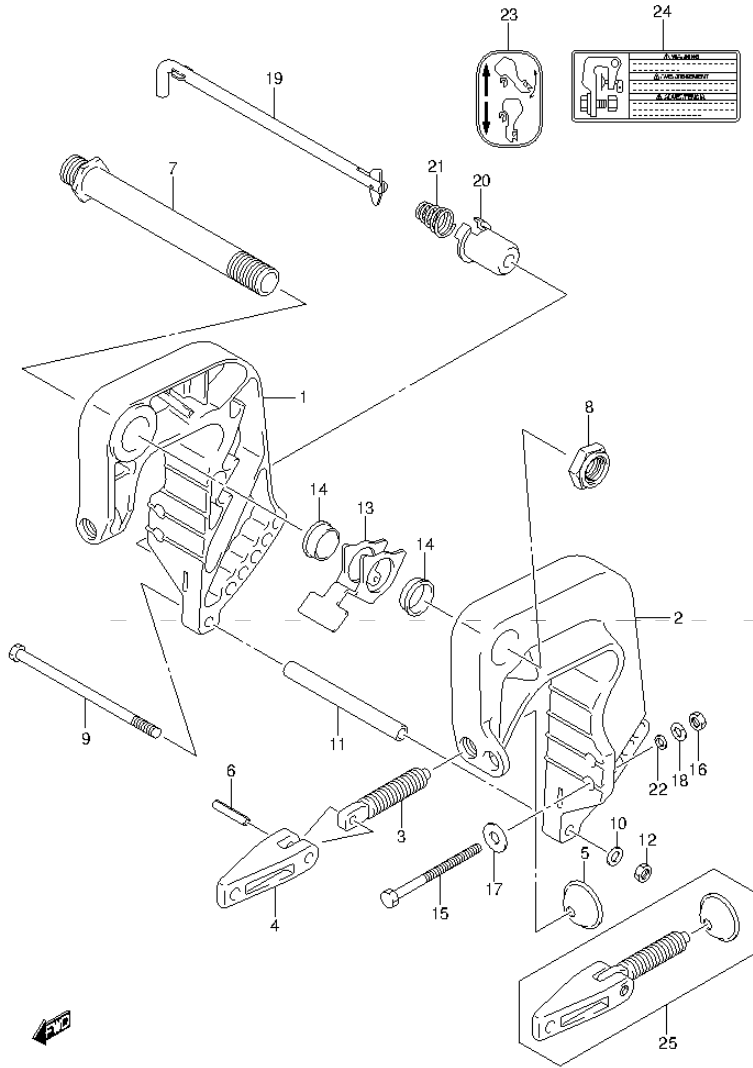


FIG.143

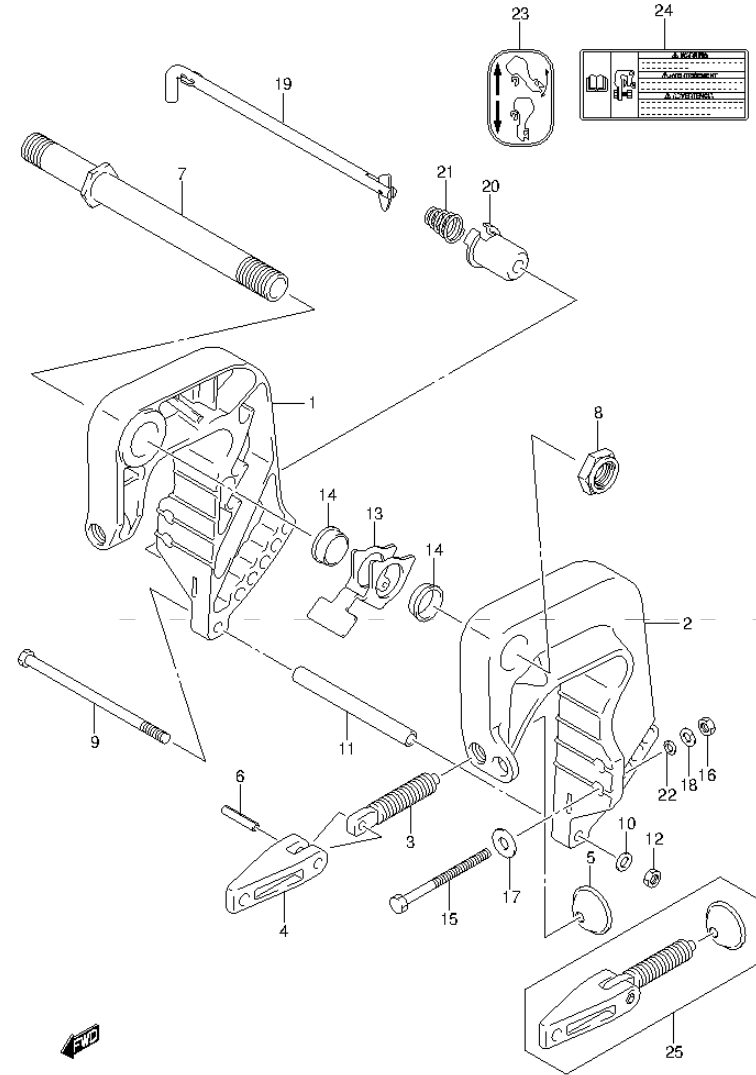


FIG.143 (2-B-2) CLAMP BRACKET (DF20AR P01)

REF NO.	PART NO.	DESCRIPTION	Q'TY	REMARKS
1	41111-89L00-OEP	BRACKET, CLAMP STBD (BLACK)	1	
2	41121-89L00-OEP	BRACKET, CLAMP PORT (BLACK)	1	
3	41211-99JL0	SCREW, CLAMP	2	
4	41212-91J00	HANDLE, CLAMP	2	
5	41213-98100	PLATE, CLAMP	2	
6	09205-06007	SPRING PIN (6X25)	2	
7	41130-89L00	SHAFT, CLAMP BRACKET	1	
8	09159-22006	NUT	1	
9	09100-06178	BOLT (6X150)	1	
10	09160-06082	WASHER (6.5X13X1.0)	1	
11	09180-06366	SPACER (6.5X10.5X114)	1	
12	29141-93J00	NUT, CLAMP BRKT LOWER (M6)	1	
13	45261-89L00	LEVER, RELEASE	1	
14	09306-22006	BUSH (22.6X27X8)	2	
15	09100-08311	BOLT (8X90)	2	
16	09140-08023-XC0	NUT	2	
17	09160-08081	WASHER (8.5X23X1.5)	2	
18	29162-93J10	WASHER, TRANSOM BOLT LOCK	2	
19	45420-89L00	PIN, TILT LOCK	1	
20	45425-94J00	STOPPER, TILT LOCK PIN	1	
21	09441-17001	SPRING	1	
22	09160-08170	WASHER (8.5X16X2)	2	
23	45269-89L00	MARK, REVERSE LOCK	1	
24	69911-91J40	MARK, CLAMP BRACKET	1	
25	41210-99JL1	SCREW SET, CLAMP	1	OPT

FIG.144

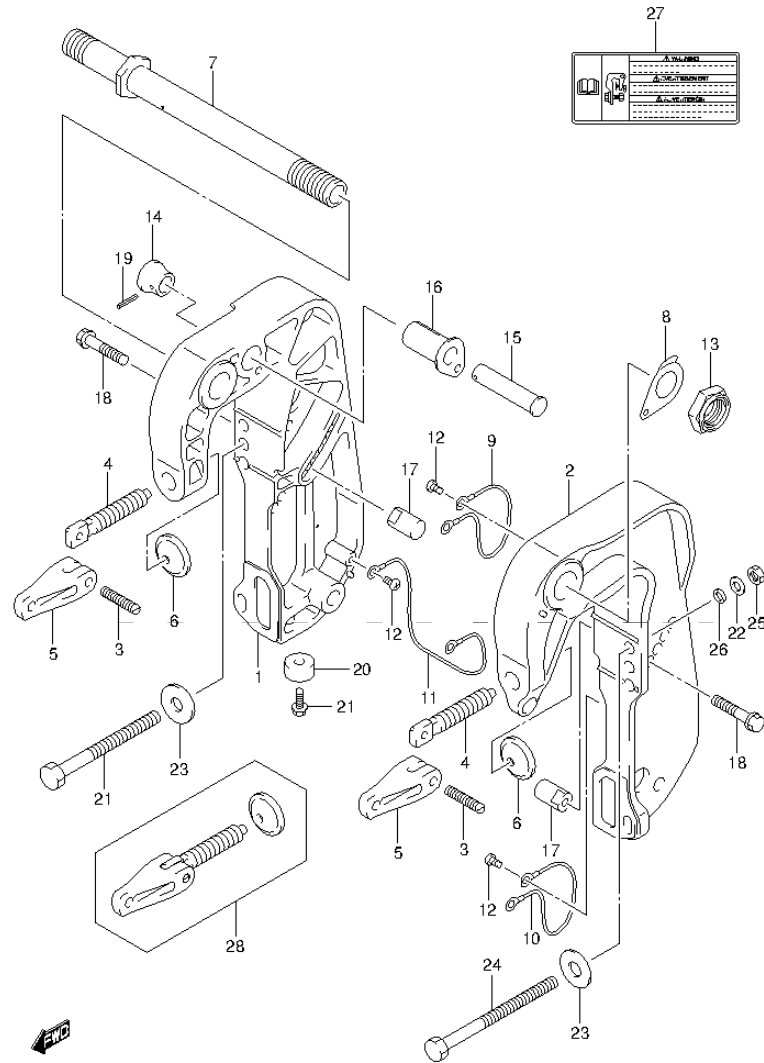


FIG.144 (2-B-3) CLAMP BRACKET (DF20AT P01)

REF NO.	PART NO.	DESCRIPTION	Q'TY	REMARKS
1	41111-89LA0-0EP	BRACKET, CLAMP STBD (BLACK)	1	
2	41121-89LA0-0EP	BRACKET, CLAMP PORT (BLACK)	1	
3	09205-06007	SPRING PIN (6X25)	2	
4	41211-95J00	SCREW, CLAMP	2	
5	41212-91J00	HANDLE, CLAMP	2	
6	41213-98100	PLATE, CLAMP	2	
7	41130-94JA1	SHAFT, CLAMP BRKT	1	
8	41135-93J11	WASHER, CLAMP BRKT SHAFT	1	
9	36894-87D00	LEAD, SWIVEL TO CLAMP	1	
10	36894-87D00	LEAD, PWR TILT TO CLAMP PORT	1	
11	36895-87D01	LEAD, PWR TILT TO CLAMP STBD	1	
12	09125-06063	SCREW (6X10)	5	
13	09159-22006	NUT	1	
14	41221-94JA0	KNOB, TILT STOPPER	1	
15	41222-94JA0	PIN, TILT STOPPER	1	
16	41226-94JA0	BUSH, TILT STOPPER	1	
17	45421-94JA0	PIN, TILT LOCK	2	
18	09116-08128	BOLT (8X40)	2	
19	09205-03004	SPRING PIN (3X20)	1	
20-1	55321-87J00	ANODE, PROTECTION	2	
20-2	55321-87J10	ANODE(MAGNESIUM)	1	OPT
21	09103-06281	BOLT (6X14)	2	
22	29162-93J10	WASHER, TRANSOM BOLT LOCK	2	
23	09160-08081	WASHER (8.5X23X1.5)	2	
24	09100-08311	BOLT (8X90)	2	
25	09140-08023-XC0	NUT	2	
26	09160-08170	WASHER (8.5X16X2)	2	
27	69911-91J40	MARK, CLAMP BRACKET	1	
28	41210-89LA0	SCREW SET, CLAMP	1	OPT

FIG.145

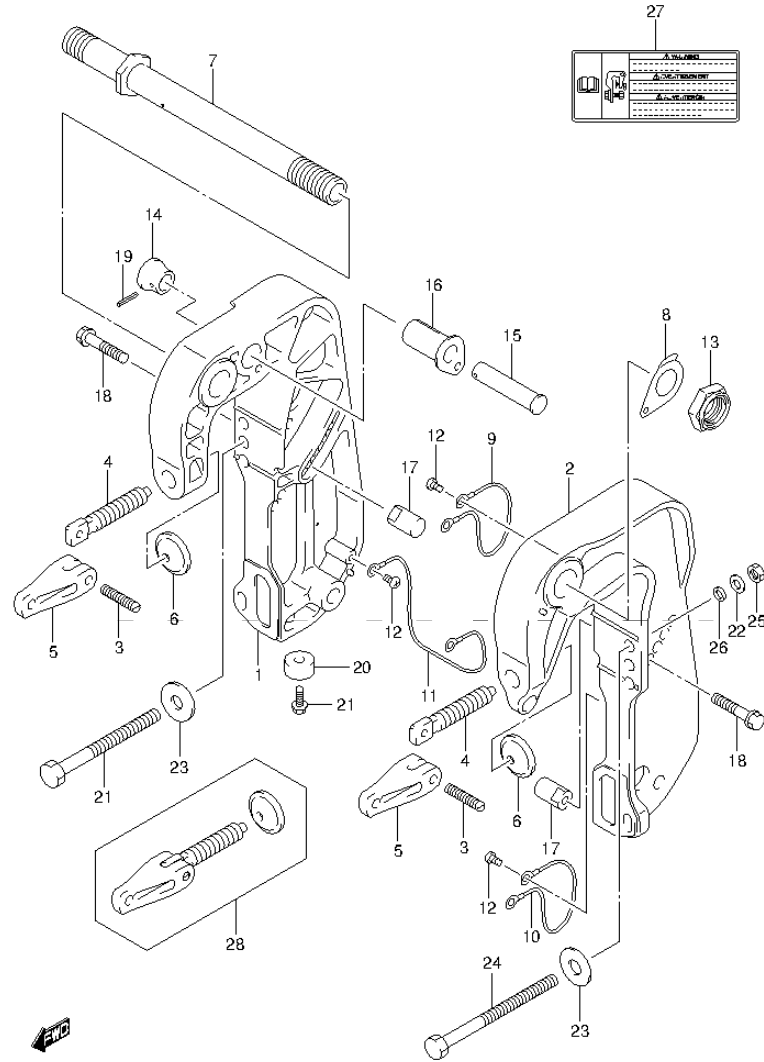


FIG.145 (2-B-4) CLAMP BRACKET (DF20ATH P01)

REF NO.	PART NO.	DESCRIPTION	Q'TY	REMARKS
1	41111-89LA0-0EP	BRACKET, CLAMP STBD (BLACK)	1	
2	41121-89LA0-0EP	BRACKET, CLAMP PORT (BLACK)	1	
3	09205-06007	SPRING PIN (6X25)	2	
4	41211-95J00	SCREW, CLAMP	2	
5	41212-91J00	HANDLE, CLAMP	2	
6	41213-98100	PLATE, CLAMP	2	
7	41130-94JA1	SHAFT, CLAMP BRKT	1	
8	41135-93J11	WASHER, CLAMP BRKT SHAFT	1	
9	36894-87D00	LEAD, SWIVEL TO CLAMP	1	
10	36894-87D00	LEAD, PWR TILT TO CLAMP PORT	1	
11	36895-87D01	LEAD, PWR TILT TO CLAMP STBD	1	
12	09125-06063	SCREW (6X10)	5	
13	09159-22006	NUT	1	
14	41221-94JA0	KNOB, TILT STOPPER	1	
15	41222-94JA0	PIN, TILT STOPPER	1	
16	41226-94JA0	BUSH, TILT STOPPER	1	
17	45421-94JA0	PIN, TILT LOCK	2	
18	09116-08128	BOLT (8X40)	2	
19	09205-03004	SPRING PIN (3X20)	1	
20-1	55321-87J00	ANODE, PROTECTION	2	
20-2	55321-87J10	ANODE(MAGNESIUM)	1	OPT
21	09103-06281	BOLT (6X14)	2	
22	29162-93J10	WASHER, TRANSOM BOLT LOCK	2	
23	09160-08081	WASHER (8.5X23X1.5)	2	
24	09100-08311	BOLT (8X90)	2	
25	09140-08023-XC0	NUT	2	
26	09160-08170	WASHER (8.5X16X2)	2	
27	69911-91J40	MARK, CLAMP BRACKET	1	
28	41210-89LA0	SCREW SET, CLAMP	1	OPT

FIG.146

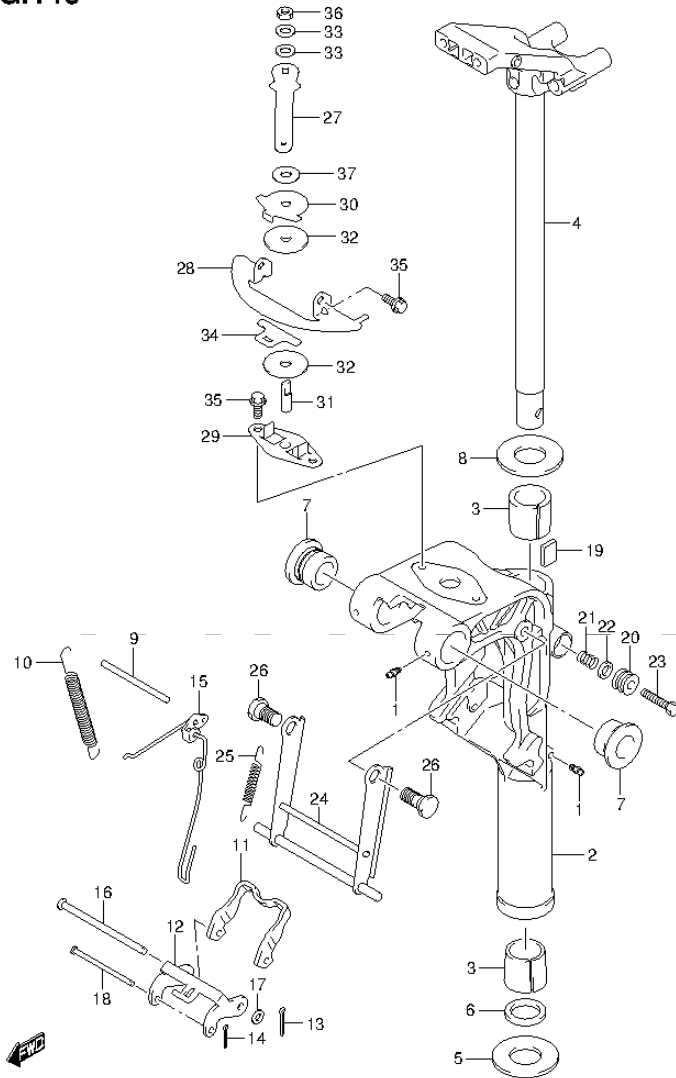


FIG.146 (2-B-5) SWIVEL BRACKET (DF9.9B P01)

REF NO.	PART NO.	DESCRIPTION	Q'TY	REMARKS
1	22511-99011	NIPPLE	3	
2-1	43111-89L00-0EP	BRACKET, SWIVEL (S) (BLACK)	1	W/TRANSOM(S)
2-2	43111-89L10-0EP	BRACKET, SWIVEL (L) (BLACK)	1	W/TRANSOM(L)
3	43711-99J00	BUSH, STEERING	2	
4-1	43750-99J40-0EP	BRACKET, STEERING (S) (BLACK)	1	W/TRANSOM(S)
4-2	43750-99J50-0EP	BRACKET, STEERING (L) (BLACK)	1	W/TRANSOM(L)
5	09160-27013	WASHER	1	
6	09282-27002	OIL SEAL (26X39X5)	1	
7	43211-87JL0	BUSH, SWIVEL BRACKET	2	
8	09160-27012	WASHER (27.5X47X1)	1	
9	41225-89L00	PIN, RELEASE ARM	1	
10	45212-89L00	SPRING, REVERSE LOCK ARM	2	
11	45231-89L00	ARM, REVERSE LOCK	1	
12	45241-89L00	LINK, REVERSE LOCK ARM	1	
13	09204-01002	PIN	1	
14	45247-99J00	PIN, REV LOCK ARM COTTER	1	
15	45250-89L02	LINK, RELEASE	1	
16	09200-06061	PIN	1	
17	09160-06082	WASHER (6.5X13X1.0)	1	
18	09200-05014	PIN	1	
19	43411-939L0	PLATE, STEERING ADJUSTER	1	
20	43412-93900	COVER, STEERING ADJUSTER	1	
21	29440-93J00	SPRING, STEERING ADJUSTER	1	
22	09160-08082	WASHER (8.5X16X1.2)	1	
23	09100-08232	BOLT (8X30)	1	
24	45710-89L00	ARM, SHALLOW DRIVE	1	
25	45722-94J11	SPRING, ARM	1	
26	09111-10067	BOLT (10X20.4)	2	
27	43411-89L00	LEVER, STEERING ADJUSTER	1	
28	43415-89L00	PLATE, STEERING ADJUSTER(H)	1	
29	43420-89L00	PLATE, STRG ADJ FRICTION	1	
30	43425-89L00	PLATE, STRG ADJ UPPER	1	
31	43512-89L00	SHAFT, STRG ADJ THREAD(H)	1	
32	43515-88L00	WASHER, STRG ADJ FRICTIONPLATE	2	

FIG.146

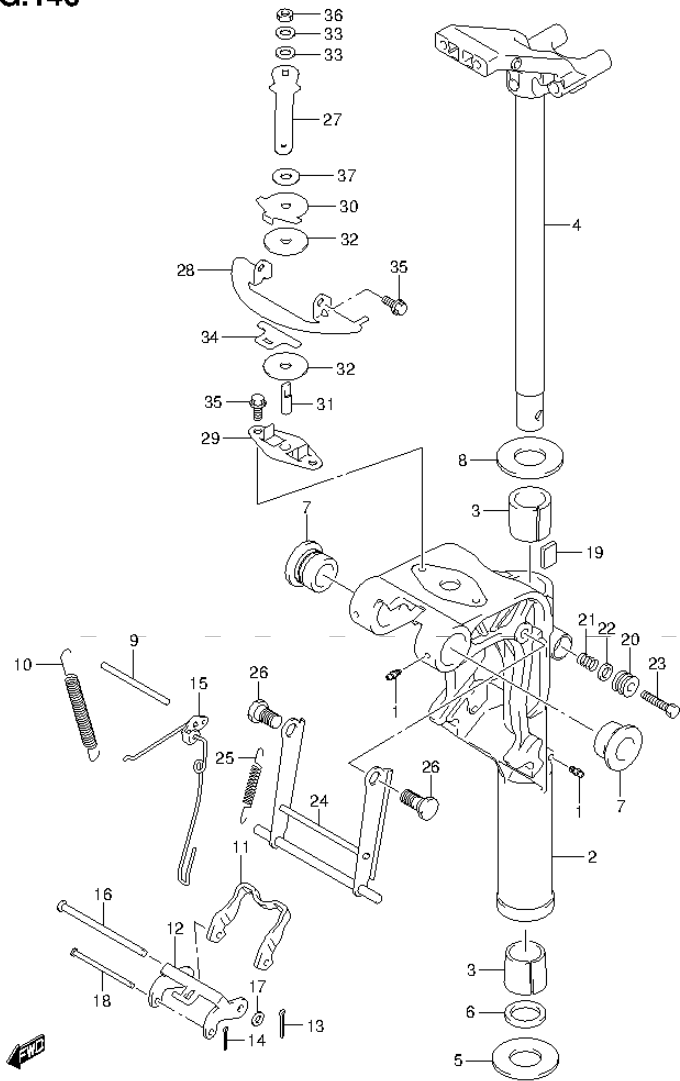


FIG.146 (2-B-6) SWIVEL BRACKET (DF9.9B P01)

REF NO.	PART NO.	DESCRIPTION	Q'TY	REMARKS
33	43516-89J00	WASHER, STEERING ADJUSTER	2	
34	43517-89L00	SPACER, STEERING ADJUSTER	1	
35	09116-06225	BOLT (6X15)	4	
36	09159-08L02	NUT	1	
37	09161-08019	WASHER (8.2X18X1.2)	1	

FIG.147

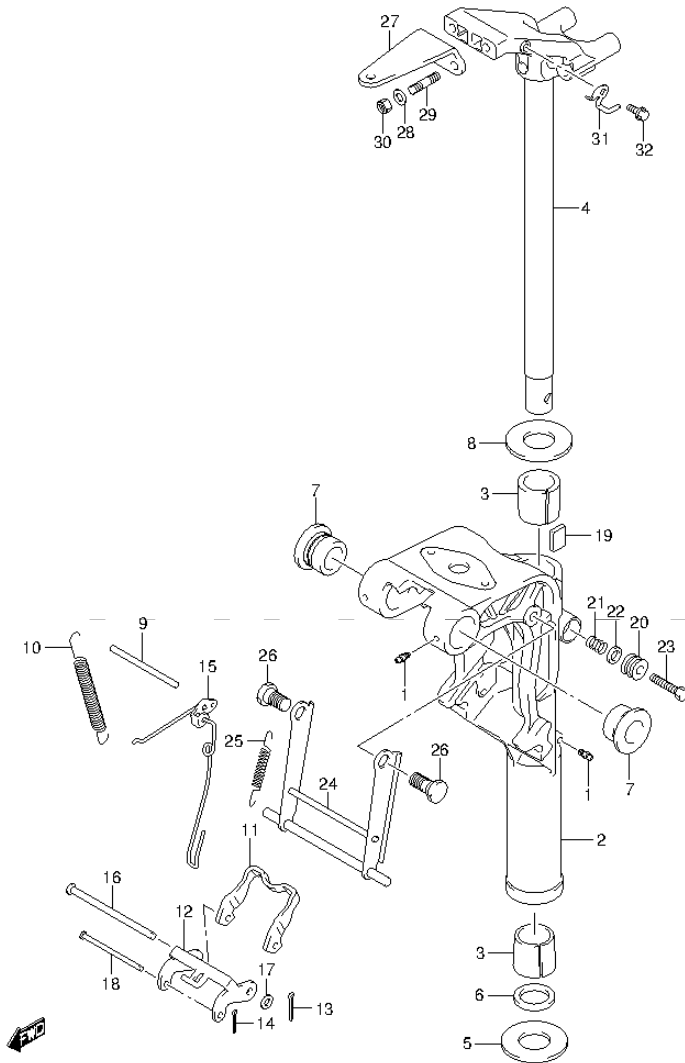


FIG.147 (2-B-7) SWIVEL BRACKET (DF9.9BR P01)

REF NO.	PART NO.	DESCRIPTION	Q'TY	REMARKS
1	22511-99011	NIPPLE	3	
2-1	43111-89L00-0EP	BRACKET, SWIVEL (S) (BLACK)	1	W/TRANSOM(S)
2-2	43111-89L10-0EP	BRACKET, SWIVEL (L) (BLACK)	1	W/TRANSOM(L)
3	43711-99J00	BUSH, STEERING	2	
4-1	43750-99J40-0EP	BRACKET, STEERING (S) (BLACK)	1	W/TRANSOM(S)
4-2	43750-99J50-0EP	BRACKET, STEERING (L) (BLACK)	1	W/TRANSOM(L)
5	09160-27013	WASHER	1	
6	09282-27002	OIL SEAL (26X39X5)	1	
7	43211-87JL0	BUSH, SWIVEL BRACKET	2	
8	09160-27012	WASHER (27.5X47X1)	1	
9	41225-89L00	PIN, RELEASE ARM	1	
10	45212-89L00	SPRING, REVERSE LOCK ARM	2	
11	45231-89L00	ARM, REVERSE LOCK	1	
12	45241-89L00	LINK, REVERSE LOCK ARM	1	
13	09204-01002	PIN	1	
14	45247-99J00	PIN, REV LOCK ARM COTTER	1	
15	45250-89L02	LINK, RELEASE	1	
16	09200-06061	PIN	1	
17	09160-06082	WASHER (6.5X13X1.0)	1	
18	09200-05014	PIN	1	
19	43411-939L0	PLATE, STEERING ADJUSTER	1	
20	43412-93900	COVER, STEERING ADJUSTER	1	
21	29440-93J00	SPRING, STEERING ADJUSTER	1	
22	09160-08082	WASHER (8.5X16X1.2)	1	
23	09100-08232	BOLT (8X30)	1	
24	45710-89L00	ARM, SHALLOW DRIVE	1	
25	45722-94J11	SPRING, ARM	1	
26	09111-10067	BOLT (10X20.4)	2	
27	43755-99J00	ATTACHMENT, STEERING BRACKET	1	
28	09160-08082	WASHER (8.5X16X1.2)	2	
29	09108-08286	STUD BOLT	2	
30	09159-08059	NUT	2	
31	43759-89L00	HOLDER, DRAIN HOSE	1	
32	09116-06225	BOLT (6X15)	1	

FIG.148

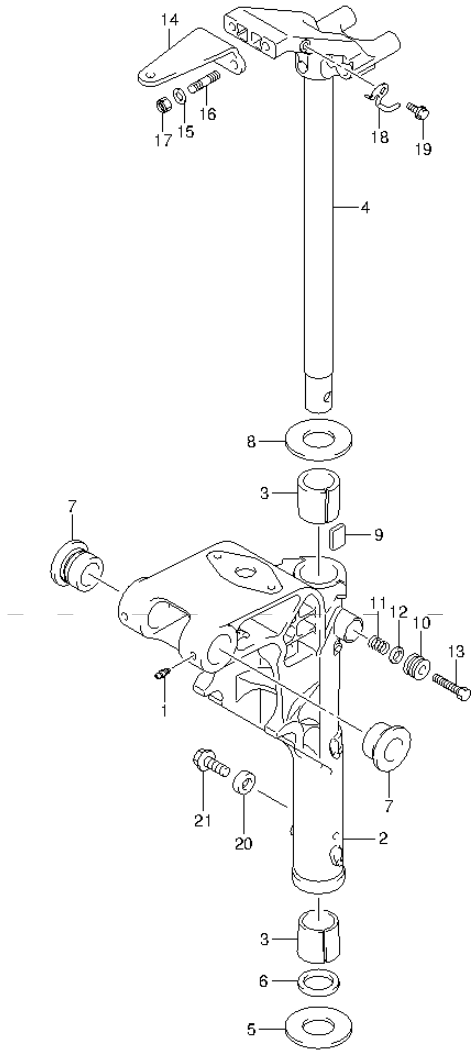


FIG.148 (2-B-8) SWIVEL BRACKET (DF9.9BT P01)

REF NO.	PART NO.	DESCRIPTION	Q'TY	REMARKS
1-1	22511-99011	NIPPLE	3	W/TRANSOM(S)
1-2	22511-99011	NIPPLE	4	W/TRANSOM(L)
2-1	43111-89LB0-0EP	BRACKET, SWIVEL (S) (BLACK)	1	W/TRANSOM(S)
2-2	43111-89LA0-0EP	BRACKET, SWIVEL (L) (BLACK)	1	W/TRANSOM(L)
3	43711-94JA0	BUSH, STEERING	2	
4-1	43750-99J40-0EP	BRACKET, STEERING (S) (BLACK)	1	W/TRANSOM(S)
4-2	43750-99J50-0EP	BRACKET, STEERING (L) (BLACK)	1	W/TRANSOM(L)
5	09160-27013	WASHER	1	
6	09282-27002	OIL SEAL (26X39X5)	1	
7	43211-87JL0	BUSH, SWIVEL BRACKET	2	
8	09160-27012	WASHER (27.5X47X1)	1	
9	43411-939L0	PLATE, STEERING ADJUSTER	1	
10	43412-93900	COVER, STEERING ADJUSTER	1	
11	29440-93J00	SPRING, STEERING ADJUSTER	1	
12	09160-08082	WASHER (8.5X16X1.2)	1	
13	09100-08232	BOLT (8X30)	1	
14	43755-99J00	ATTACHMENT, STEERING BRACKET	1	
15	09160-08082	WASHER (8.5X16X1.2)	2	
16	09108-08286	STUD BOLT	2	
17	09159-08059	NUT	2	
18	43759-89L00	HOLDER, DRAIN HOSE	1	
19	09116-06225	BOLT (6X15)	1	
20-1	55321-87J00	ANODE, PROTECTION	1	W/TRANSOM(L)
20-2	55321-87J10	ANODE(MAGNESIUM)	1	OPT W/TRANSOM(L)
21	09103-06281	BOLT (6X14)	1	W/TRANSOM(L)

FIG.149

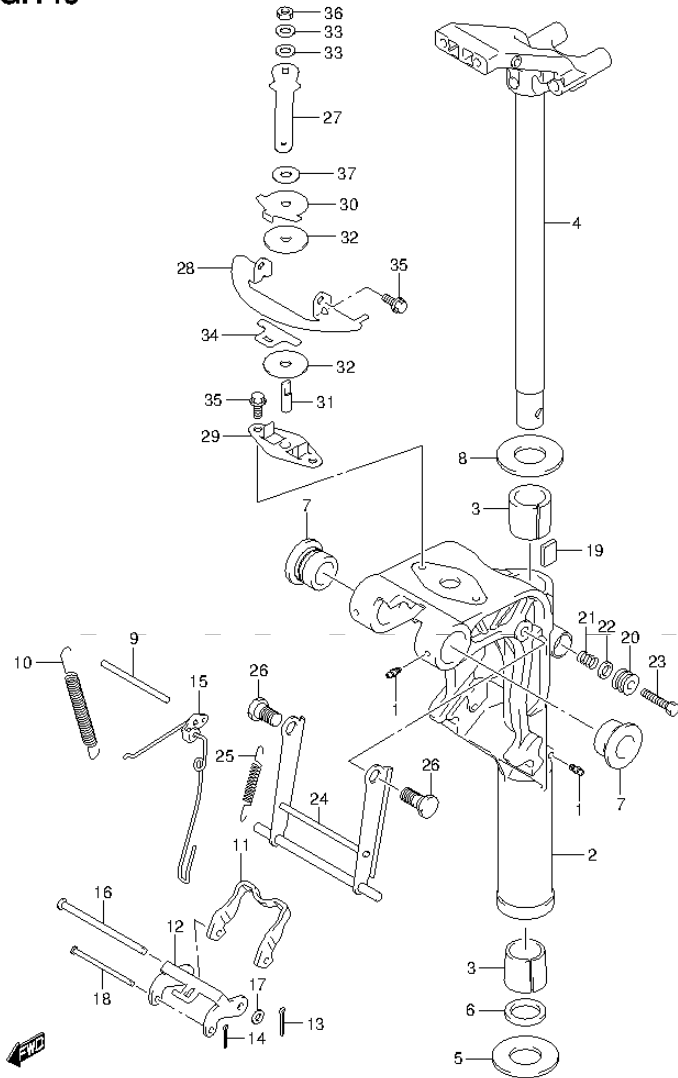


FIG.149 (2-B-10) SWIVEL BRACKET (DF15A P01)

REF NO.	PART NO.	DESCRIPTION	Q'TY	REMARKS
33	43516-89J00	WASHER, STEERING ADJUSTER	2	
34	43517-89L00	SPACER, STEERING ADJUSTER	1	
35	09116-06225	BOLT (6X15)	4	
36	09159-08L02	NUT	1	
37	09161-08019	WASHER (8.2X18X1.2)	1	

FIG.150

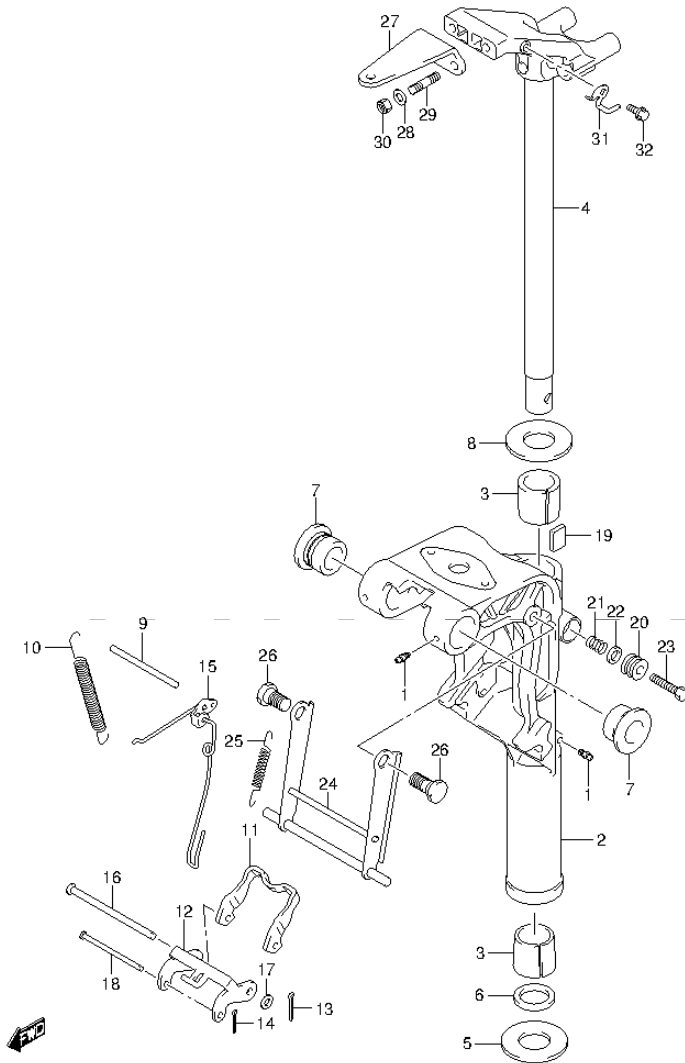


FIG.150 (2-B-11) SWIVEL BRACKET (DF15AR P01)

REF NO.	PART NO.	DESCRIPTION	Q'TY	REMARKS
1	22511-99011	NIPPLE	3	
2-1	43111-89L00-0EP	BRACKET, SWIVEL (S) (BLACK)	1	W/TRANSOM(S)
2-2	43111-89L10-0EP	BRACKET, SWIVEL (L) (BLACK)	1	W/TRANSOM(L)
3	43711-99J00	BUSH, STEERING	2	
4-1	43750-99J40-0EP	BRACKET, STEERING (S) (BLACK)	1	W/TRANSOM(S)
4-2	43750-99J50-0EP	BRACKET, STEERING (L) (BLACK)	1	W/TRANSOM(L)
5	09160-27013	WASHER	1	
6	09282-27002	OIL SEAL (26X39X5)	1	
7	43211-87JL0	BUSH, SWIVEL BRACKET	2	
8	09160-27012	WASHER (27.5X47X1)	1	
9	41225-89L00	PIN, RELEASE ARM	1	
10	45212-89L00	SPRING, REVERSE LOCK ARM	2	
11	45231-89L00	ARM, REVERSE LOCK	1	
12	45241-89L00	LINK, REVERSE LOCK ARM	1	
13	09204-01002	PIN	1	
14	45247-99J00	PIN, REV LOCK ARM COTTER	1	
15	45250-89L02	LINK, RELEASE	1	
16	09200-06061	PIN	1	
17	09160-06082	WASHER (6.5X13X1.0)	1	
18	09200-05014	PIN	1	
19	43411-939L0	PLATE, STEERING ADJUSTER	1	
20	43412-93900	COVER, STEERING ADJUSTER	1	
21	29440-93J00	SPRING, STEERING ADJUSTER	1	
22	09160-08082	WASHER (8.5X16X1.2)	1	
23	09100-08232	BOLT (8X30)	1	
24	45710-89L00	ARM, SHALLOW DRIVE	1	
25	45722-94J11	SPRING, ARM	1	
26	09111-10067	BOLT (10X20.4)	2	
27	43755-99J00	ATTACHMENT, STEERING BRACKET	1	
28	09160-08082	WASHER (8.5X16X1.2)	2	
29	09108-08286	STUD BOLT	2	
30	09159-08059	NUT	2	
31	43759-89L00	HOLDER, DRAIN HOSE	1	
32	09116-06225	BOLT (6X15)	1	

FIG.151

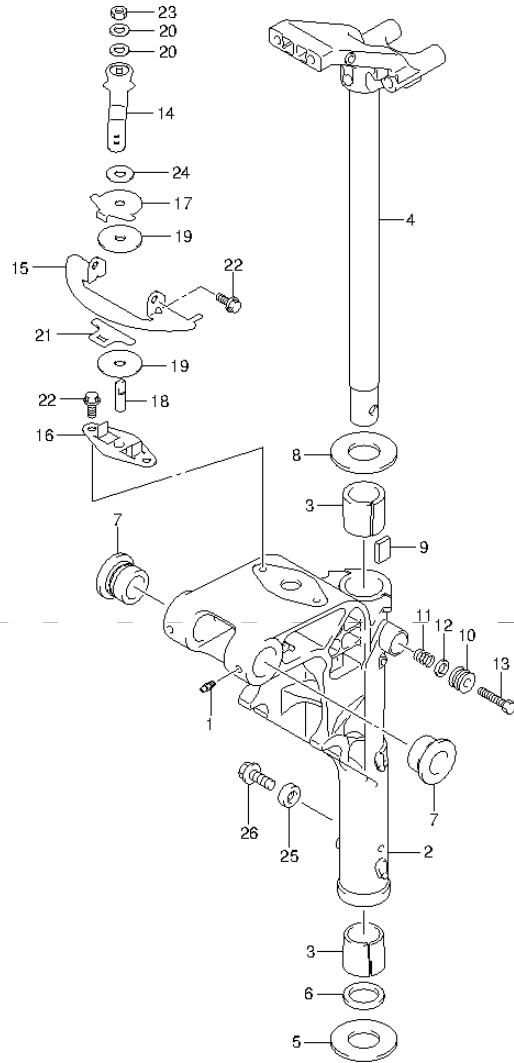


FIG.151 (2-B-12) SWIVEL BRACKET (DF15ATH P01)

REF NO.	PART NO.	DESCRIPTION	Q'TY	REMARKS
1-1	22511-99011	NIPPLE	3	W/TRANSOM(S)
1-2	22511-99011	NIPPLE	4	W/TRANSOM(L)
2-1	43111-89LB0-0EP	BRACKET, SWIVEL (S) (BLACK)	1	W/TRANSOM(S)
2-2	43111-89LA0-0EP	BRACKET, SWIVEL (L) (BLACK)	1	W/TRANSOM(L)
3	43711-94JA0	BUSH, STEERING	2	
4-1	43750-99J40-0EP	BRACKET, STEERING (S) (BLACK)	1	W/TRANSOM(S)
4-2	43750-99J50-0EP	BRACKET, STEERING (L) (BLACK)	1	W/TRANSOM(L)
5	09160-27013	WASHER	1	
6	09282-27002	OIL SEAL (26X39X5)	1	
7	43211-87JL0	BUSH, SWIVEL BRACKET	2	
8	09160-27012	WASHER (27.5X47X1)	1	
9	43411-939L0	PLATE, STRG ADJUSTER	1	
10	43412-93900	COVER, STEERING ADJUSTER	1	
11	29440-93J00	SPRING, STEERING ADJUSTER	1	
12	09160-08082	WASHER (8.5X16X1.2)	1	
13	09100-08232	BOLT (8X30)	1	
14	43411-89LA0	LEVER, STEERING ADJUSTER	1	
15	43415-89L00	PLATE, STEERING ADJUSTER(H)	1	
16	43420-89L00	PLATE, STRG ADJ FRICTION	1	
17	43425-89L00	PLATE, STRG ADJ UPPER	1	
18	43512-89L00	SHAFT, STRG ADJ THREAD(H)	1	
19	43515-88L00	WASHER, STRG ADJ FRICTIONPLATE	2	
20	43516-89J00	WASHER, STEERING ADJUSTER	2	
21	43517-89L00	SPACER, STEERING ADJUSTER	1	
22	09116-06225	BOLT (6X15)	4	
23	09159-08L02	NUT	1	
24	09161-08019	WASHER (8.2X18X1.2)	1	
25-1	55321-87J00	ANODE, PROTECTION	1	W/TRANSOM(L)
25-2	55321-87J10	ANODE(MAGNESIUM)	1	OPT
26	09103-06281	BOLT (6X14)	1	W/TRANSOM(L)



FIG.152

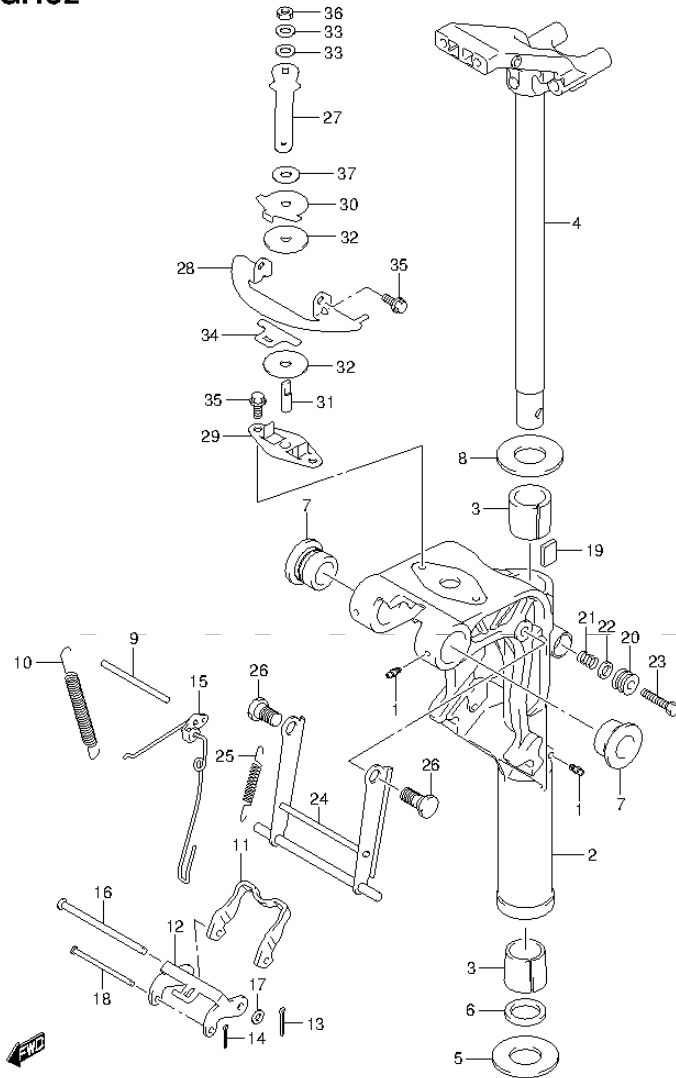


FIG.152 (2-B-13) SWIVEL BRACKET (DF20A P01)

REF NO.	PART NO.	DESCRIPTION	Q'TY	REMARKS
1	22511-99011	NIPPLE	3	
2-1	43111-89L00-0EP	BRACKET, SWIVEL (S) (BLACK)	1	W/TRANSOM(S)
2-2	43111-89L10-0EP	BRACKET, SWIVEL (L) (BLACK)	1	W/TRANSOM(L)
3	43711-99J00	BUSH, STEERING	2	
4-1	43750-99J40-0EP	BRACKET, STEERING (S) (BLACK)	1	W/TRANSOM(S)
4-2	43750-99J50-0EP	BRACKET, STEERING (L) (BLACK)	1	W/TRANSOM(L)
5	09160-27013	WASHER	1	
6	09282-27002	OIL SEAL (26X39X5)	1	
7	43211-87JL0	BUSH, SWIVEL BRACKET	2	
8	09160-27012	WASHER (27.5X47X1)	1	
9	41225-89L00	PIN, RELEASE ARM	1	
10	45212-89L00	SPRING, REVERSE LOCK ARM	2	
11	45231-89L00	ARM, REVERSE LOCK	1	
12	45241-89L00	LINK, REVERSE LOCK ARM	1	
13	09204-01002	PIN	1	
14	45247-99J00	PIN, REV LOCK ARM COTTER	1	
15	45250-89L02	LINK, RELEASE	1	
16	09200-06061	PIN	1	
17	09160-06082	WASHER (6.5X13X1.0)	1	
18	09200-05014	PIN	1	
19	43411-939L0	PLATE, STEERING ADJUSTER	1	
20	43412-93900	COVER, STEERING ADJUSTER	1	
21	29440-93J00	SPRING, STEERING ADJUSTER	1	
22	09160-08082	WASHER (8.5X16X1.2)	1	
23	09100-08232	BOLT (8X30)	1	
24	45710-89L00	ARM, SHALLOW DRIVE	1	
25	45722-94J11	SPRING, ARM	1	
26	09111-10067	BOLT (10X20.4)	2	
27	43411-89L00	LEVER, STEERING ADJUSTER	1	
28	43415-89L00	PLATE, STEERING ADJUSTER(H)	1	
29	43420-89L00	PLATE, STRG ADJ FRICTION	1	
30	43425-89L00	PLATE, STRG ADJ UPPER	1	
31	43512-89L00	SHAFT, STRG ADJ THREAD(H)	1	
32	43515-88L00	WASHER, STRG ADJ FRICTIONPLATE	2	

FIG.152

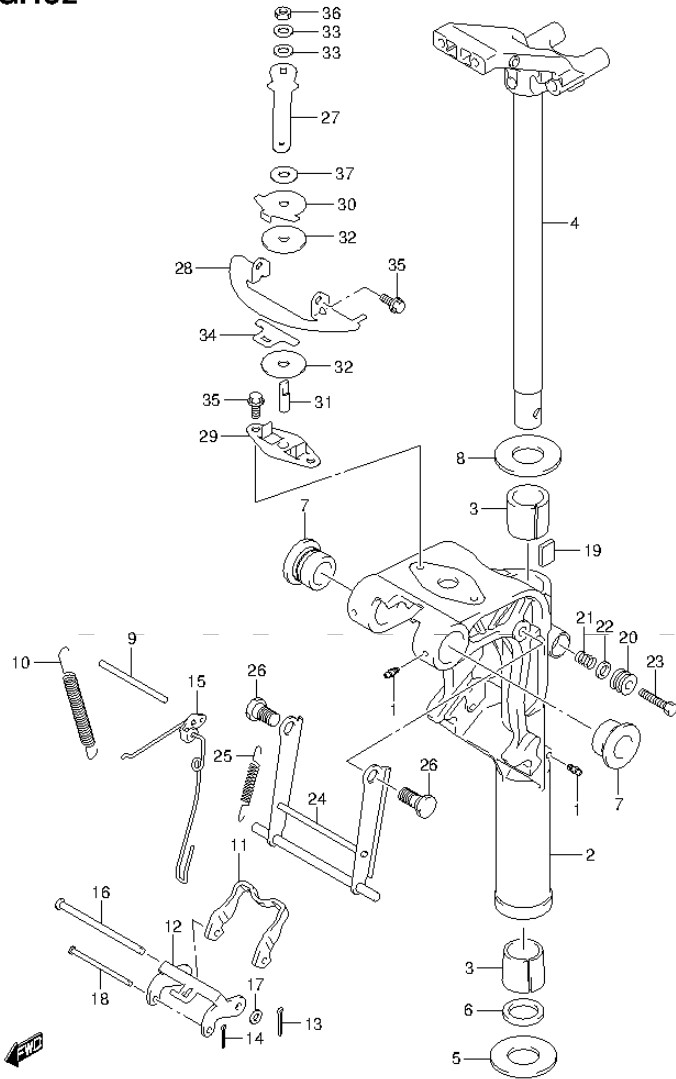


FIG.152 (2-B-14) SWIVEL BRACKET (DF20A P01)

REF NO.	PART NO.	DESCRIPTION	Q'TY	REMARKS
33	43516-89J00	WASHER, STEERING ADJUSTER	2	
34	43517-89L00	SPACER, STEERING ADJUSTER	1	
35	09116-06225	BOLT (6X15)	4	
36	09159-08L02	NUT	1	
37	09161-08019	WASHER (8.2X18X1.2)	1	

FIG.153

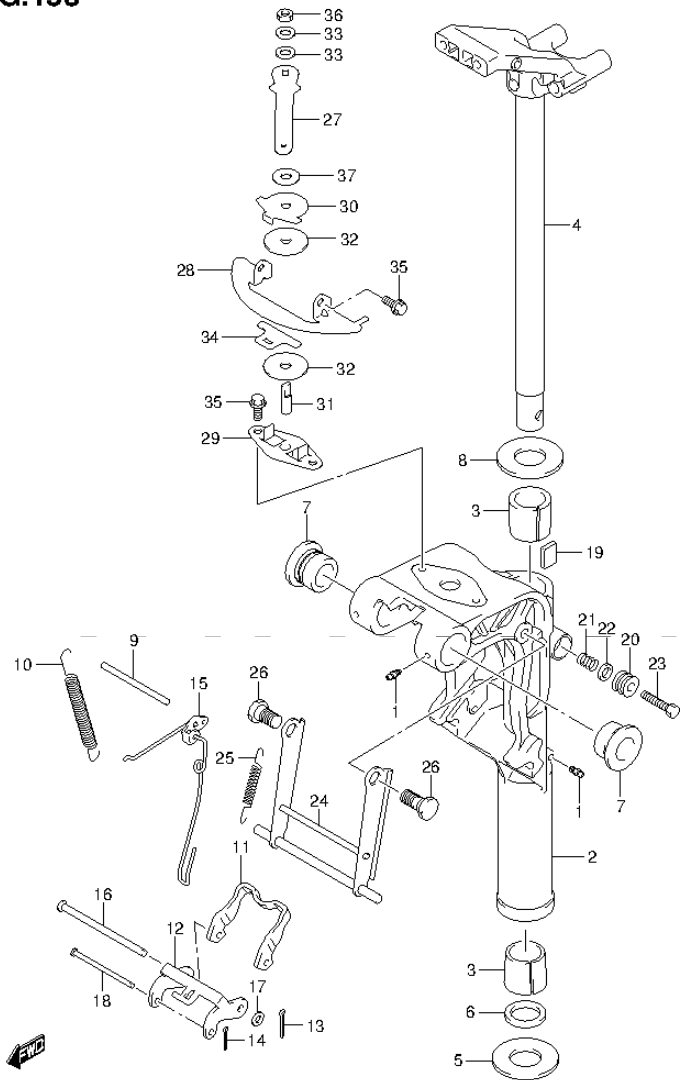


FIG.153 (2-B-15) SWIVEL BRACKET (DF20A P40)

REF NO.	PART NO.	DESCRIPTION	Q'TY	REMARKS
1	22511-99011	NIPPLE	3	
2-1	43111-89L00-0EP	BRACKET, SWIVEL (S) (BLACK)	1	W/TRANSOM(S)
2-2	43111-89L10-0EP	BRACKET, SWIVEL (L) (BLACK)	1	W/TRANSOM(L)
3	43711-99J00	BUSH, STEERING	2	
4-1	43750-99J40-0EP	BRACKET, STEERING (S) (BLACK)	1	W/TRANSOM(S)
4-2	43750-99J50-0EP	BRACKET, STEERING (L) (BLACK)	1	W/TRANSOM(L)
5	09160-27013	WASHER	1	
6	09282-27002	OIL SEAL (26X39X5)	1	
7	43211-87JL0	BUSH, SWIVEL BRACKET	2	
8	09160-27012	WASHER (27.5X47X1)	1	
9	41225-89L00	PIN, RELEASE ARM	1	
10	45212-89L00	SPRING, REVERSE LOCK ARM	2	
11	45231-89L00	ARM, REVERSE LOCK	1	
12	45241-89L00	LINK, REVERSE LOCK ARM	1	
13	09204-01002	PIN	1	
14	45247-99J00	PIN, REV LOCK ARM COTTER	1	
15	45250-89L02	LINK, RELEASE	1	
16	09200-06061	PIN	1	
17	09160-06082	WASHER (6.5X13X1.0)	1	
18	09200-05014	PIN	1	
19	43411-939L0	PLATE, STEERING ADJUSTER	1	
20	43412-93900	COVER, STEERING ADJUSTER	1	
21	29440-93J00	SPRING, STEERING ADJUSTER	1	
22	09160-08082	WASHER (8.5X16X1.2)	1	
23	09100-08232	BOLT (8X30)	1	
24	45710-89L00	ARM, SHALLOW DRIVE	1	
25	45722-94J11	SPRING, ARM	1	
26	09111-10067	BOLT (10X20.4)	2	
27	43411-89L00	LEVER, STEERING ADJUSTER	1	
28	43415-89L00	PLATE, STEERING ADJUSTER(H)	1	
29	43420-89L00	PLATE, STRG ADJ FRICTION	1	
30	43425-89L00	PLATE, STRG ADJ UPPER	1	
31	43512-89L00	SHAFT, STRG ADJ THREAD(H)	1	
32	43515-88L00	WASHER, STRG ADJ FRICTIONPLATE	2	

FIG.153

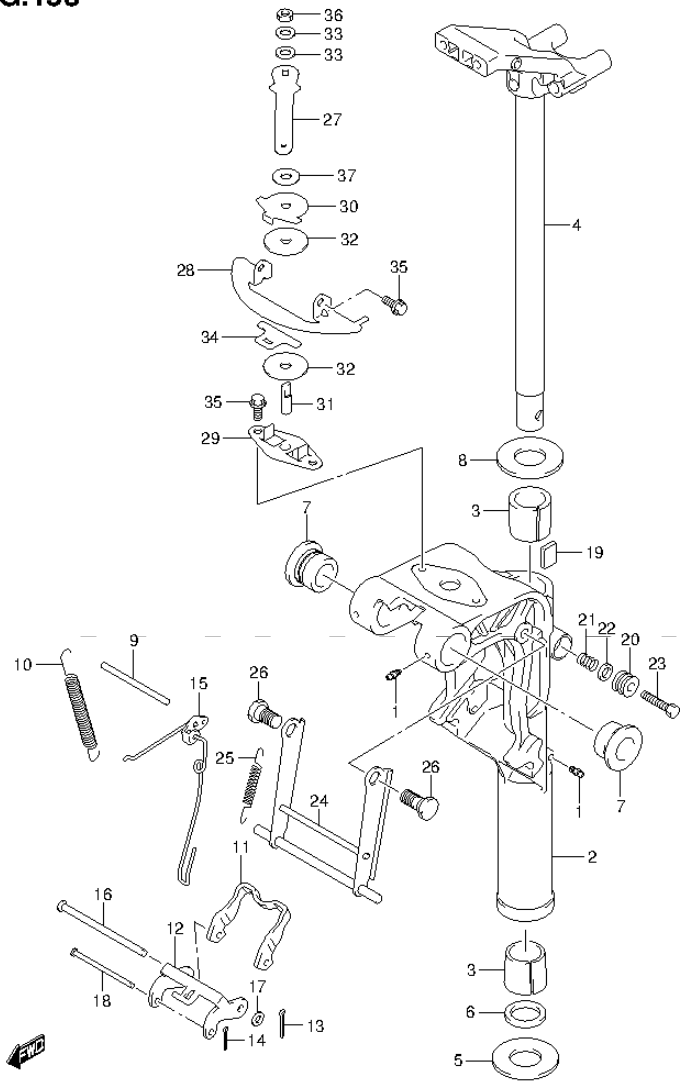


FIG.153 (2-C-2) SWIVEL BRACKET (DF20A P40)

REF NO.	PART NO.	DESCRIPTION	Q'TY	REMARKS
33	43516-89J00	WASHER, STEERING ADJUSTER	2	
34	43517-89L00	SPACER, STEERING ADJUSTER	1	
35	09116-06225	BOLT (6X15)	4	
36	09159-08L02	NUT	1	
37	09161-08019	WASHER (8.2X18X1.2)	1	

FIG.154

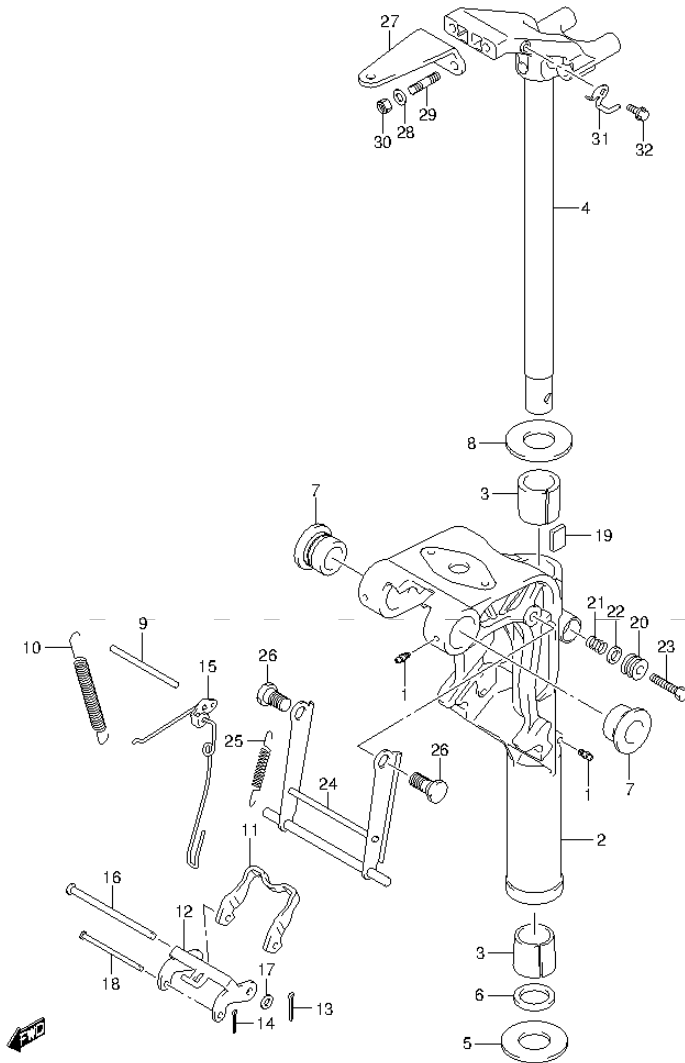


FIG.154 (2-C-3) SWIVEL BRACKET (DF20AR P01)

REF NO.	PART NO.	DESCRIPTION	Q'TY	REMARKS
1	22511-99011	NIPPLE	3	
2-1	43111-89L00-0EP	BRACKET, SWIVEL (S) (BLACK)	1	W/TRANSOM(S)
2-2	43111-89L10-0EP	BRACKET, SWIVEL (L) (BLACK)	1	W/TRANSOM(L)
3	43711-99J00	BUSH, STEERING	2	
4-1	43750-99J40-0EP	BRACKET, STEERING (S) (BLACK)	1	W/TRANSOM(S)
4-2	43750-99J50-0EP	BRACKET, STEERING (L) (BLACK)	1	W/TRANSOM(L)
5	09160-27013	WASHER	1	
6	09282-27002	OIL SEAL (26X39X5)	1	
7	43211-87JL0	BUSH, SWIVEL BRACKET	2	
8	09160-27012	WASHER (27.5X47X1)	1	
9	41225-89L00	PIN, RELEASE ARM	1	
10	45212-89L00	SPRING, REVERSE LOCK ARM	2	
11	45231-89L00	ARM, REVERSE LOCK	1	
12	45241-89L00	LINK, REVERSE LOCK ARM	1	
13	09204-01002	PIN	1	
14	45247-99J00	PIN, REV LOCK ARM COTTER	1	
15	45250-89L02	LINK, RELEASE	1	
16	09200-06061	PIN	1	
17	09160-06082	WASHER (6.5X13X1.0)	1	
18	09200-05014	PIN	1	
19	43411-939L0	PLATE, STEERING ADJUSTER	1	
20	43412-93900	COVER, STEERING ADJUSTER	1	
21	29440-93J00	SPRING, STEERING ADJUSTER	1	
22	09160-08082	WASHER (8.5X16X1.2)	1	
23	09100-08232	BOLT (8X30)	1	
24	45710-89L00	ARM, SHALLOW DRIVE	1	
25	45722-94J11	SPRING, ARM	1	
26	09111-10067	BOLT (10X20.4)	2	
27	43755-99J00	ATTACHMENT, STEERING BRACKET	1	
28	09160-08082	WASHER (8.5X16X1.2)	2	
29	09108-08286	STUD BOLT	2	
30	09159-08059	NUT	2	
31	43759-89L00	HOLDER, DRAIN HOSE	1	
32	09116-06225	BOLT (6X15)	1	

FIG.155

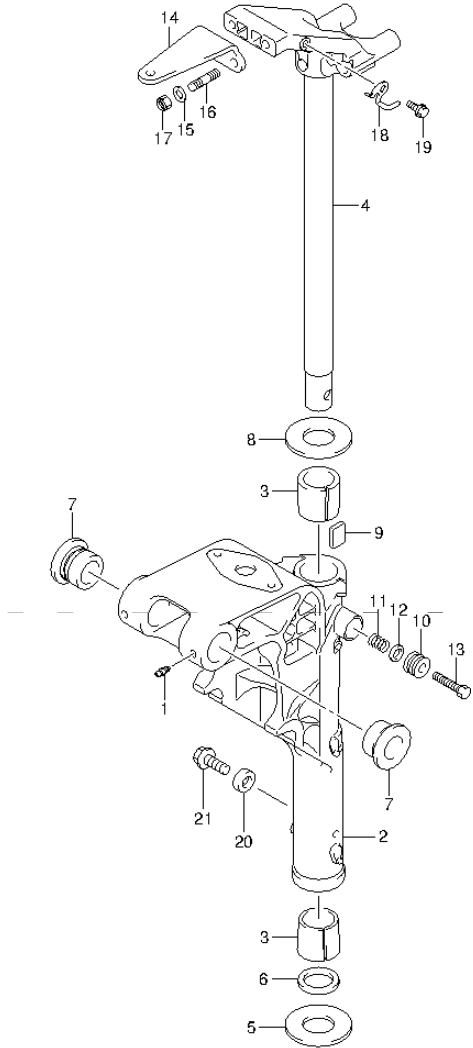


FIG.155 (2-C-4) SWIVEL BRACKET (DF20AT P01)

REF NO.	PART NO.	DESCRIPTION	Q'TY	REMARKS
1-1	22511-99011	NIPPLE	3	W/TRANSOM(S)
1-2	22511-99011	NIPPLE	4	W/TRANSOM(L)
2-1	43111-89LB0-0EP	BRACKET, SWIVEL (S) (BLACK)	1	W/TRANSOM(S)
2-2	43111-89LA0-0EP	BRACKET, SWIVEL (L) (BLACK)	1	W/TRANSOM(L)
3	43711-94JA0	BUSH, STEERING	2	
4-1	43750-99J40-0EP	BRACKET, STEERING (S) (BLACK)	1	W/TRANSOM(S)
4-2	43750-99J50-0EP	BRACKET, STEERING (L) (BLACK)	1	W/TRANSOM(L)
5	09160-27013	WASHER	1	
6	09282-27002	OIL SEAL (26X39X5)	1	
7	43211-87JL0	BUSH, SWIVEL BRACKET	2	
8	09160-27012	WASHER (27.5X47X1)	1	
9	43411-939L0	PLATE, STEERING ADJUSTER	1	
10	43412-93900	COVER, STEERING ADJUSTER	1	
11	29440-93J00	SPRING, STEERING ADJUSTER	1	
12	09160-08082	WASHER (8.5X16X1.2)	1	
13	09100-08232	BOLT (8X30)	1	
14	43755-99J00	ATTACHMENT, STEERING BRACKET	1	
15	09160-08082	WASHER (8.5X16X1.2)	2	
16	09108-08286	STUD BOLT	2	
17	09159-08059	NUT	2	
18	43759-89L00	HOLDER, DRAIN HOSE	1	
19	09116-06225	BOLT (6X15)	1	
20-1	55321-87J00	ANODE, PROTECTION	1	W/TRANSOM(L)
20-2	55321-87J10	ANODE(MAGNESIUM)	1	OPT W/TRANSOM(L)
21	09103-06281	BOLT (6X14)	1	W/TRANSOM(L)

FIG.156

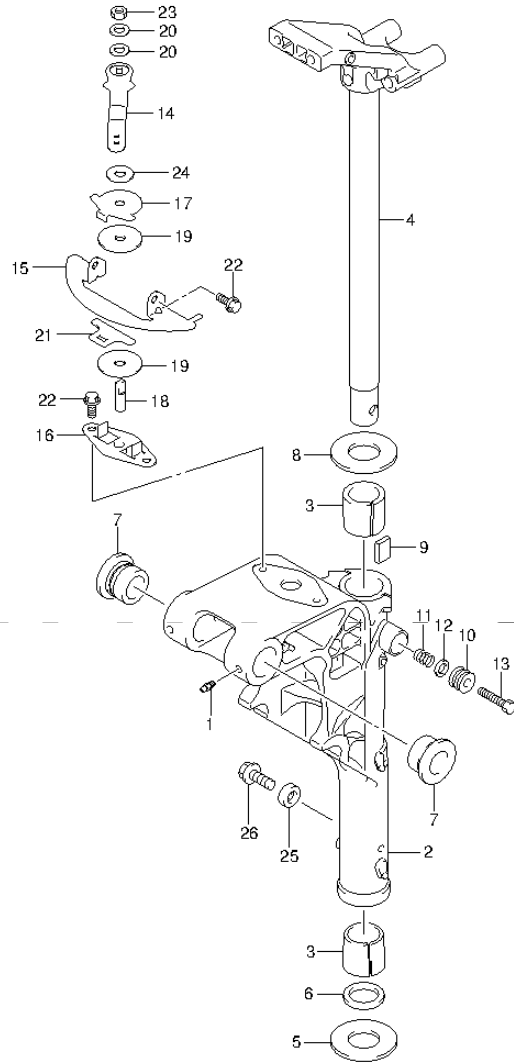


FIG.156 (2-C-5) SWIVEL BRACKET (DF20ATH P01)

REF NO.	PART NO.	DESCRIPTION	Q'TY	REMARKS
1-1	22511-99011	NIPPLE	3	W/TRANSOM(S)
1-2	22511-99011	NIPPLE	4	W/TRANSOM(L)
2-1	43111-89LB0-0EP	BRACKET, SWIVEL (S) (BLACK)	1	W/TRANSOM(S)
2-2	43111-89LA0-0EP	BRACKET, SWIVEL (L) (BLACK)	1	W/TRANSOM(L)
3	43711-94JA0	BUSH, STEERING	2	
4-1	43750-99J40-0EP	BRACKET, STEERING (S) (BLACK)	1	W/TRANSOM(S)
4-2	43750-99J50-0EP	BRACKET, STEERING (L) (BLACK)	1	W/TRANSOM(L)
5	09160-27013	WASHER	1	
6	09282-27002	OIL SEAL (26X39X5)	1	
7	43211-87JL0	BUSH, SWIVEL BRACKET	2	
8	09160-27012	WASHER (27.5X47X1)	1	
9	43411-939L0	PLATE, STRG ADJUSTER	1	
10	43412-93900	COVER, STEERING ADJUSTER	1	
11	29440-93J00	SPRING, STEERING ADJUSTER	1	
12	09160-08082	WASHER (8.5X16X1.2)	1	
13	09100-08232	BOLT (8X30)	1	
14	43411-89LA0	LEVER, STEERING ADJUSTER	1	
15	43415-89L00	PLATE, STEERING ADJUSTER(H)	1	
16	43420-89L00	PLATE, STRG ADJ FRICTION	1	
17	43425-89L00	PLATE, STRG ADJ UPPER	1	
18	43512-89L00	SHAFT, STRG ADJ THREAD(H)	1	
19	43515-88L00	WASHER, STRG ADJ FRICTIONPLATE	2	
20	43516-89J00	WASHER, STEERING ADJUSTER	2	
21	43517-89L00	SPACER, STEERING ADJUSTER	1	
22	09116-06225	BOLT (6X15)	4	
23	09159-08L02	NUT	1	
24	09161-08019	WASHER (8.2X18X1.2)	1	
25-1	55321-87J00	ANODE, PROTECTION	1	W/TRANSOM(L)
25-2	55321-87J10	ANODE(MAGNESIUM)	1	OPT
26	09103-06281	BOLT (6X14)	1	W/TRANSOM(L)

FIG.157

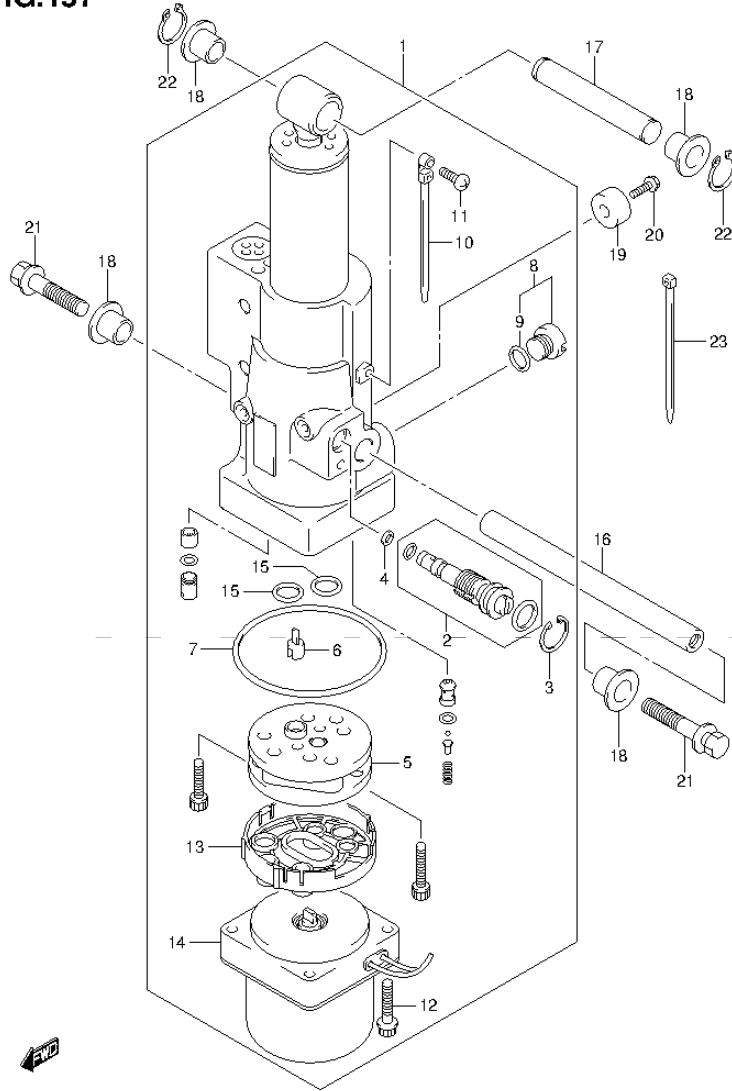


FIG.157 (2-C-6) TILT CYLINDER (DF9.9BT P01)

REF NO.	PART NO.	DESCRIPTION	Q'TY	REMARKS
1	48000-89LA0	POWER TILT ASSY	1	
2	48864-89LA0	.MANUAL VALVE	1	
3	48681-87J11	.CIRCLIP	1	
4	48553-88L00	.SEAL WASHER	1	
5	48510-94600	.PUMP ASSY, GEAR	1	
6	48583-95E00	.JOINT, DRIVE	1	
7	31123-89J10	.O RING	1	
8	48572-94J00	.CAP	1	
9	48664-87D00	.O RING	1	
10	31193-94J00	.BAND	1	
11	31192-94J01	.SCREW	1	
12	31281-94J01	.BOLT	2	
13	48582-97E00	.FILTER	1	
14	38100-89LA0	.MOTOR ASSY, PTT	1	
15	48664-87D00	.O RING	2	
16	48121-94JA0	SHAFT, TILT CYL LOWER	1	
17	48321-97E01	SHAFT, TILT CYL UPPER	1	
18	48325-97E00	BUSH	4	
19-1	55321-87J00	ANODE	1	
19-2	55321-87J10	ANODE(MAGNESIUM)	1	OPT
20	09103-06281	BOLT (6X14)	1	
21	09116-08150	BOLT (8X27)	2	
22	09380-12002	SNAP RING	2	
23	09407-14407	CLAMP (L:145)	3	

FIG.158

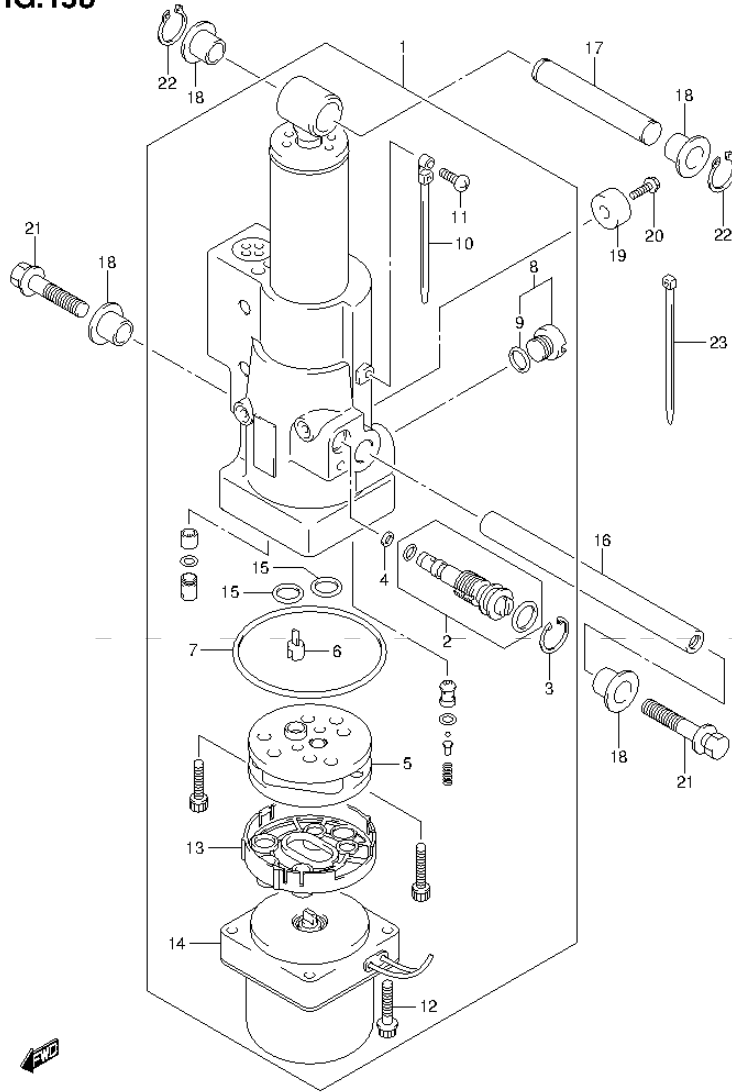


FIG.158 (2-C-7) TILT CYLINDER (DF15ATH P01)

REF NO.	PART NO.	DESCRIPTION	Q'TY	REMARKS
1	48000-89LA0	POWER TILT ASSY	1	
2	48864-89LA0	.MANUAL VALVE	1	
3	48681-87J11	.CIRCLIP	1	
4	48553-88L00	.SEAL WASHER	1	
5	48510-94600	.PUMP ASSY, GEAR	1	
6	48583-95E00	.JOINT, DRIVE	1	
7	31123-89J10	.O RING	1	
8	48572-94J00	.CAP	1	
9	48664-87D00	.O RING	1	
10	31193-94J00	.BAND	1	
11	31192-94J01	.SCREW	1	
12	31281-94J01	.BOLT	2	
13	48582-97E00	.FILTER	1	
14	38100-89LA0	.MOTOR ASSY, PTT	1	
15	48664-87D00	.O RING	2	
16	48121-94JA0	SHAFT, TILT CYL LOWER	1	
17	48321-97E01	SHAFT, TILT CYL UPPER	1	
18	48325-97E00	BUSH	4	
19-1	55321-87J00	ANODE	1	
19-2	55321-87J10	ANODE(MAGNESIUM)	1	OPT
20	09103-06281	BOLT (6X14)	1	
21	09116-08150	BOLT (8X27)	2	
22	09380-12002	SNAP RING	2	
23	09407-14407	CLAMP (L:145)	3	

FIG.159

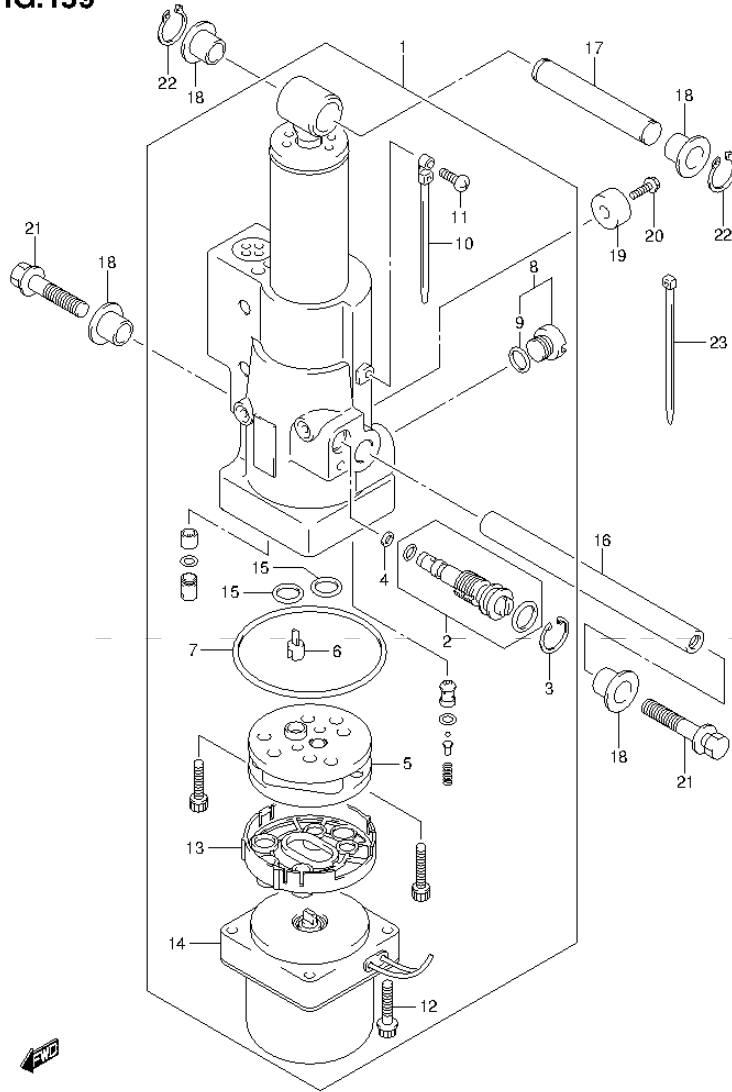


FIG.159 (2-C-8) TILT CYLINDER (DF20AT P01)

REF NO.	PART NO.	DESCRIPTION	Q'TY	REMARKS
1	48000-89LA0	POWER TILT ASSY	1	
2	48864-89LA0	.MANUAL VALVE	1	
3	48681-87J11	.CIRCLIP	1	
4	48553-88L00	.SEAL WASHER	1	
5	48510-94600	.PUMP ASSY, GEAR	1	
6	48583-95E00	.JOINT, DRIVE	1	
7	31123-89J10	.O RING	1	
8	48572-94J00	.CAP	1	
9	48664-87D00	.O RING	1	
10	31193-94J00	.BAND	1	
11	31192-94J01	.SCREW	1	
12	31281-94J01	.BOLT	2	
13	48582-97E00	.FILTER	1	
14	38100-89LA0	.MOTOR ASSY, PTT	1	
15	48664-87D00	.O RING	2	
16	48121-94JA0	SHAFT, TILT CYL LOWER	1	
17	48321-97E01	SHAFT, TILT CYL UPPER	1	
18	48325-97E00	BUSH	4	
19-1	55321-87J00	ANODE	1	
19-2	55321-87J10	ANODE(MAGNESIUM)	1	OPT
20	09103-06281	BOLT (6X14)	1	
21	09116-08150	BOLT (8X27)	2	
22	09380-12002	SNAP RING	2	
23	09407-14407	CLAMP (L:145)	3	

FIG.160

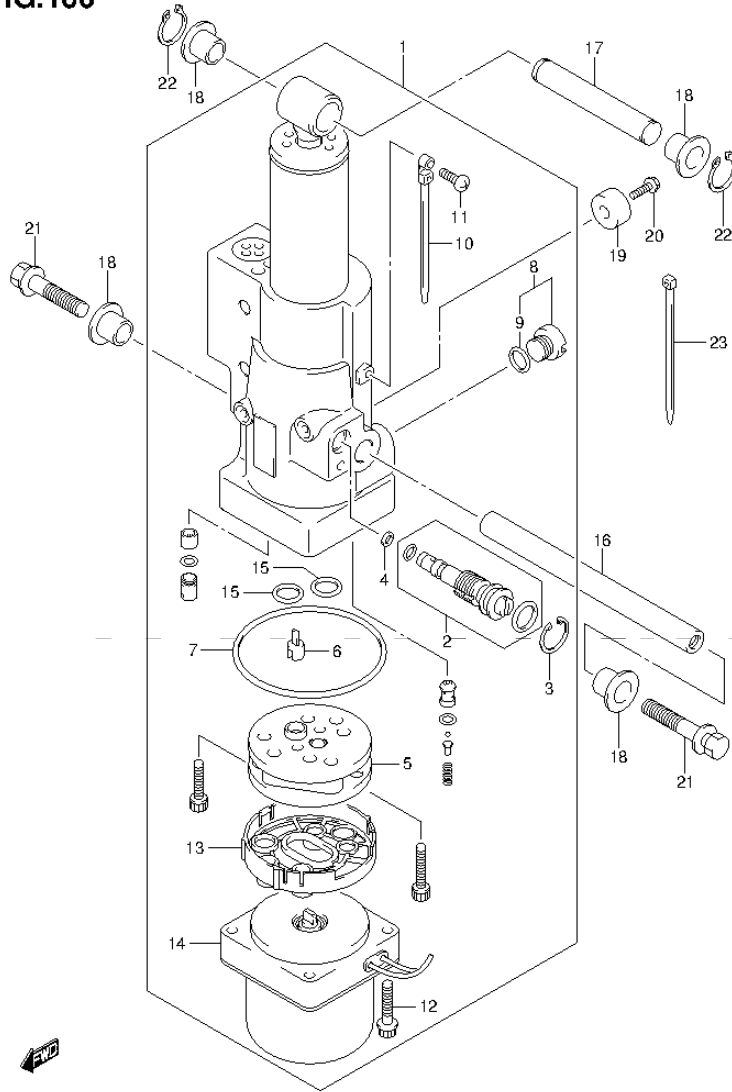


FIG.160 (2-C-9) TILT CYLINDER (DF20ATH P01)

REF NO.	PART NO.	DESCRIPTION	Q'TY	REMARKS
1	48000-89LA0	POWER TILT ASSY	1	
2	48864-89LA0	.MANUAL VALVE	1	
3	48681-87J11	.CIRCLIP	1	
4	48553-88L00	.SEAL WASHER	1	
5	48510-94600	.PUMP ASSY, GEAR	1	
6	48583-95E00	.JOINT, DRIVE	1	
7	31123-89J10	.O RING	1	
8	48572-94J00	.CAP	1	
9	48664-87D00	.O RING	1	
10	31193-94J00	.BAND	1	
11	31192-94J01	.SCREW	1	
12	31281-94J01	.BOLT	2	
13	48582-97E00	.FILTER	1	
14	38100-89LA0	.MOTOR ASSY, PTT	1	
15	48664-87D00	.O RING	2	
16	48121-94JA0	SHAFT, TILT CYL LOWER	1	
17	48321-97E01	SHAFT, TILT CYL UPPER	1	
18	48325-97E00	BUSH	4	
19-1	55321-87J00	ANODE	1	
19-2	55321-87J10	ANODE(MAGNESIUM)	1	OPT
20	09103-06281	BOLT (6X14)	1	
21	09116-08150	BOLT (8X27)	2	
22	09380-12002	SNAP RING	2	
23	09407-14407	CLAMP (L:145)	3	

FIG.161

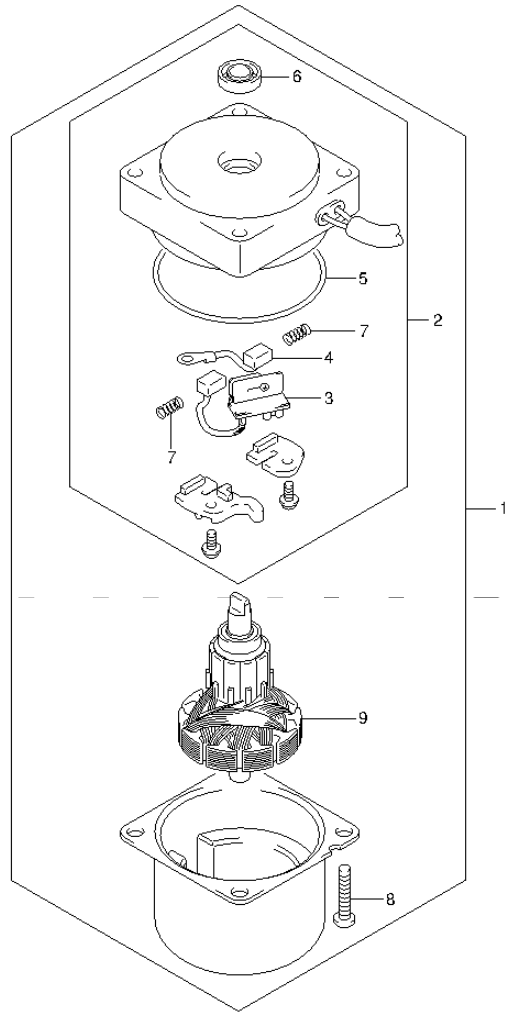


FIG.161 (2-C-10) PTT MOTOR (DF9.9BT P01)

REF NO.	PART NO.	DESCRIPTION	Q'TY	REMARKS
1	38100-89LA0	MOTOR ASSY, PTT	1	
2	31174-89LA0	.BRACKET	1	
3	31136-94J00	..BRAKER	1	
4	31133-94900	..BRUSH	1	
5	31123-94J01	..O RING	1	
6	33799-97E00	..SEAL, OIL	1	
7	31135-94900	..SPRING	2	
8	09136-05041	..SCREW (5X20)	2	
9	31311-94J00	..ARMATURE	1	



FIG.162

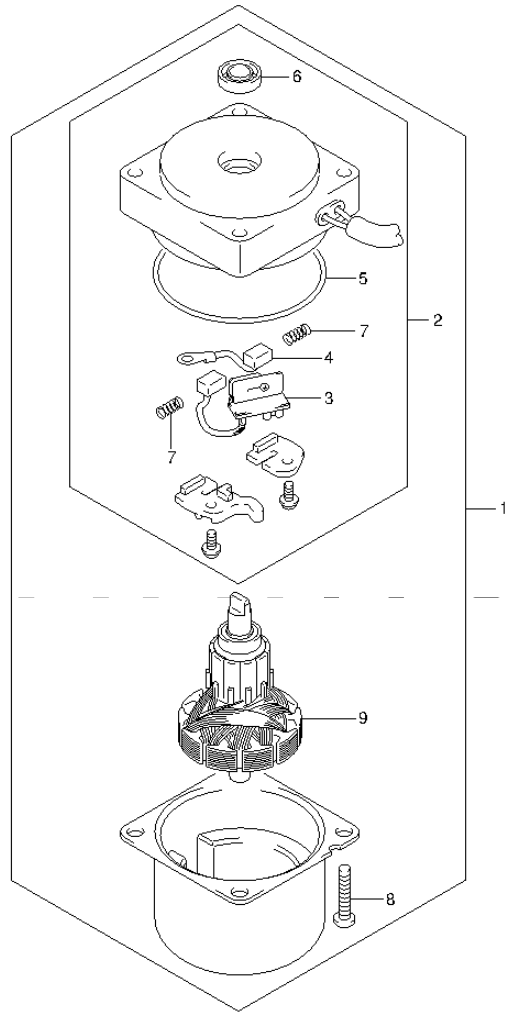


FIG.162 (2-C-11) PTT MOTOR (DF15ATH P01)

REF NO.	PART NO.	DESCRIPTION	Q'TY	REMARKS
1	38100-89LA0	MOTOR ASSY, PTT	1	
2	31174-89LA0	.BRACKET	1	
3	31136-94J00	..BRAKER	1	
4	31133-94900	..BRUSH	1	
5	31123-94J01	..O RING	1	
6	33799-97E00	..SEAL, OIL	1	
7	31135-94900	..SPRING	2	
8	09136-05041	..SCREW (5X20)	2	
9	31311-94J00	..ARMATURE	1	



FIG.163

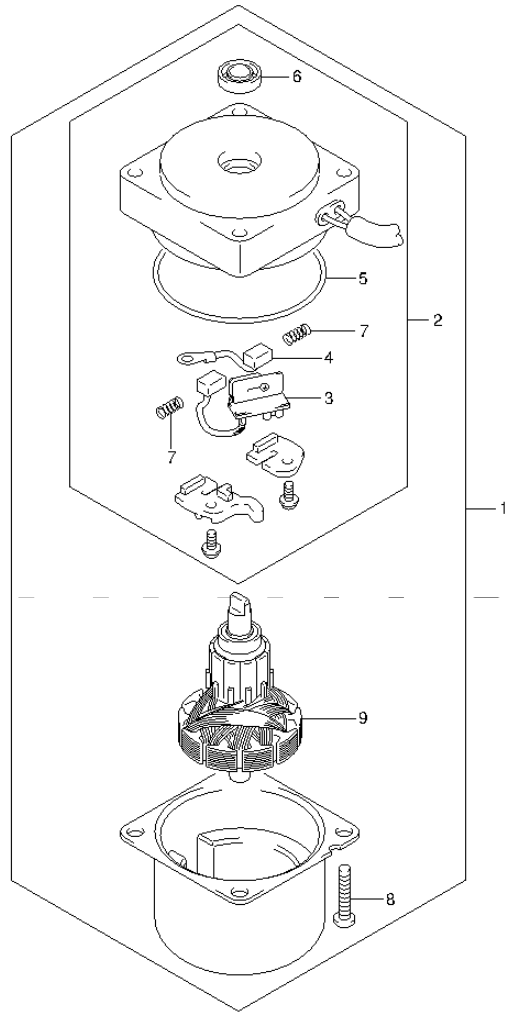


FIG.163 (2-C-12) PTT MOTOR (DF20AT P01)

REF NO.	PART NO.	DESCRIPTION	Q'TY	REMARKS
1	38100-89LA0	MOTOR ASSY, PTT	1	
2	31174-89LA0	.BRACKET	1	
3	31136-94J00	..BRAKER	1	
4	31133-94900	..BRUSH	1	
5	31123-94J01	..O RING	1	
6	33799-97E00	..SEAL, OIL	1	
7	31135-94900	..SPRING	2	
8	09136-05041	..SCREW (5X20)	2	
9	31311-94J00	..ARMATURE	1	



FIG.164

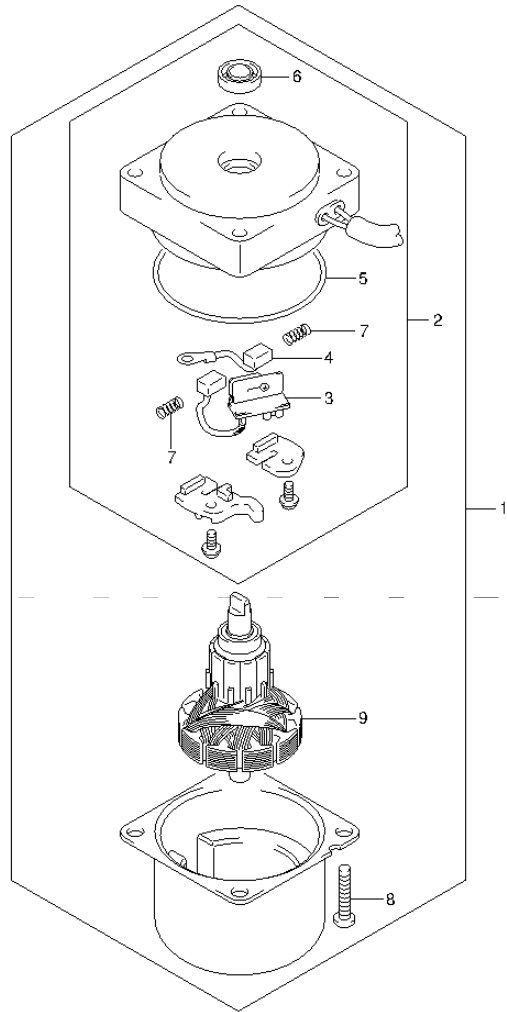


FIG.164 (2-C-13) PTT MOTOR (DF20ATH P01)

REF NO.	PART NO.	DESCRIPTION	Q'TY	REMARKS
1	38100-89LA0	MOTOR ASSY, PTT	1	
2	31174-89LA0	.BRACKET	1	
3	31136-94J00	..BRAKER	1	
4	31133-94900	..BRUSH	1	
5	31123-94J01	..O RING	1	
6	33799-97E00	..SEAL, OIL	1	
7	31135-94900	..SPRING	2	
8	09136-05041	..SCREW (5X20)	2	
9	31311-94J00	..ARMATURE	1	



FIG.165

FIG.165 (2-C-14) ENGINE HOLDER

REF NO.	PART NO.	DESCRIPTION	Q'TY	REMARKS
1	51110-89L01	HOLDER, ENGINE	1	
2	51211-89L00	GASKET, ENGINE HOLDER	1	
3	09116-08151	BOLT (8X30)	3	
4	09202-06023	PIN (6X10)	2	
5	09282-12L04	OIL SEAL (12X25X7)	1	
6	16515-89L00	HOSE, OIL	1	
7	54112-99J01	BOLT, UPR MOUNT (L:123)	2	
8	54113-99JL0	WASHER, UPPER MOUNT BOLT	2	
9	54127-89L00	MOUNT, UPRER SIDE	1	
10	54125-99J00	STOPPER, UPR REVERSE THRUST	2	
11	54130-89L00	MOUNT, UPPER	2	
12	54137-89L00	COVER, UPPER MOUNT	2	
13	09116-08137	BOLT (8X22)	4	
14	09140-10031	NUT	2	
15	01560-08307	BOLT	7	
16	09401-12413	CLIP	1	

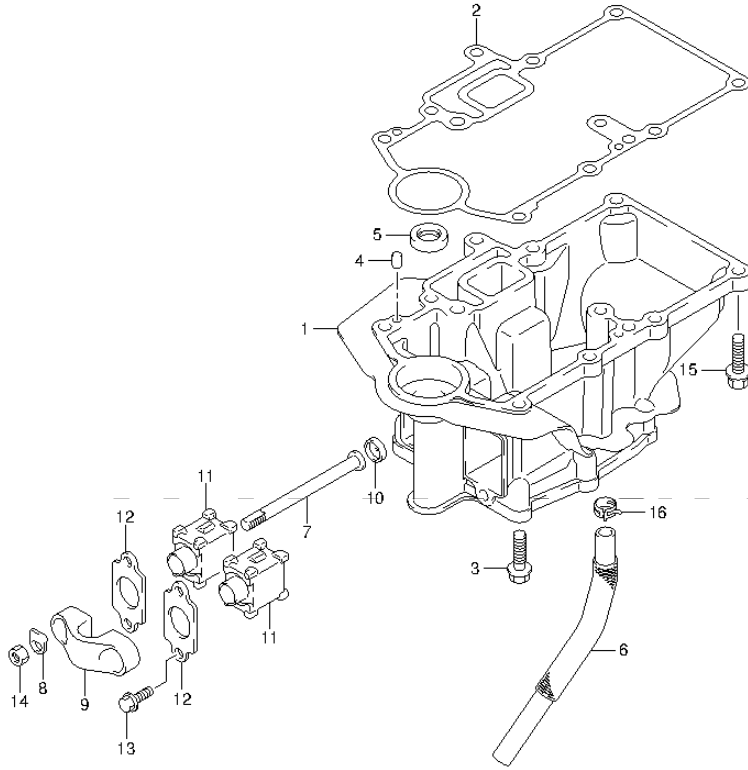


FIG.166

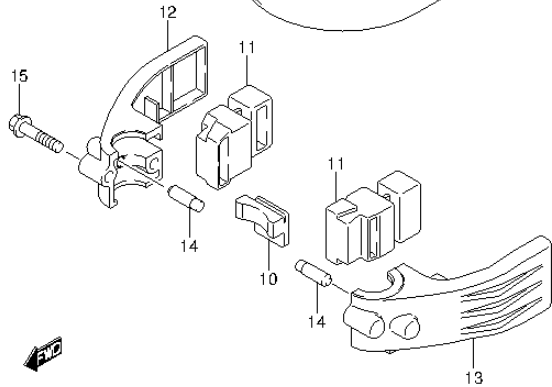
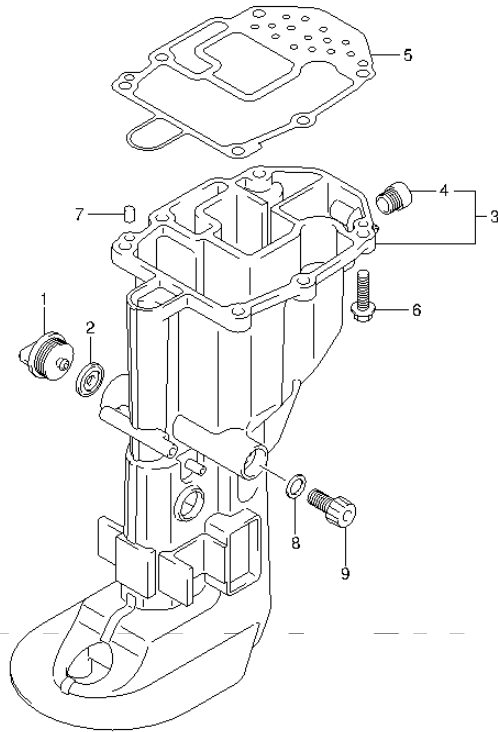


FIG.166 (2-C-15) DRIVE SHAFT HOUSING

REF NO.	PART NO.	DESCRIPTION	Q'TY	REMARKS
1	17913-93J00	PLUG, WATER	1	
2	17914-93J00	GASKET, WATER PLUG	1	
3-1	52110-89L00-0EP	HOUSING, DRIVE SHAFT (S) (BLACK)	1	W/TRANSOM(S)
3-2	52110-89L10-0EP	HOUSING, DRIVE SHAFT (L) (BLACK)	1	W/TRANSOM(L)
4	43112-99E00	.PIPE, EXHAUST	1	
5	52113-89L00	GASKET, DRIVE SHAFT HOUSING	1	
6	09116-08151	BOLT (8X30)	6	
7	09202-06023	PIN (6X10)	2	
8	09168-12017	GASKET (12X17X1)	1	
9	09248-12009	PLUG (12X18.65)	1	
10	54151-99J00	MOUNT, LOWER THRUST	1	
11	54167-99J01	MOUNT, LOWER SIDE	2	
12	54211-99J01-0EP	COVER, LWR MOUNT STBD (BLACK)	1	
13	54221-99J01-0EP	COVER, LWR MOUNT PORT (BLACK)	1	
14	54213-93901	PIN, KNOCK	2	
15	09116-08154	BOLT (8X40)	2	

FIG.167

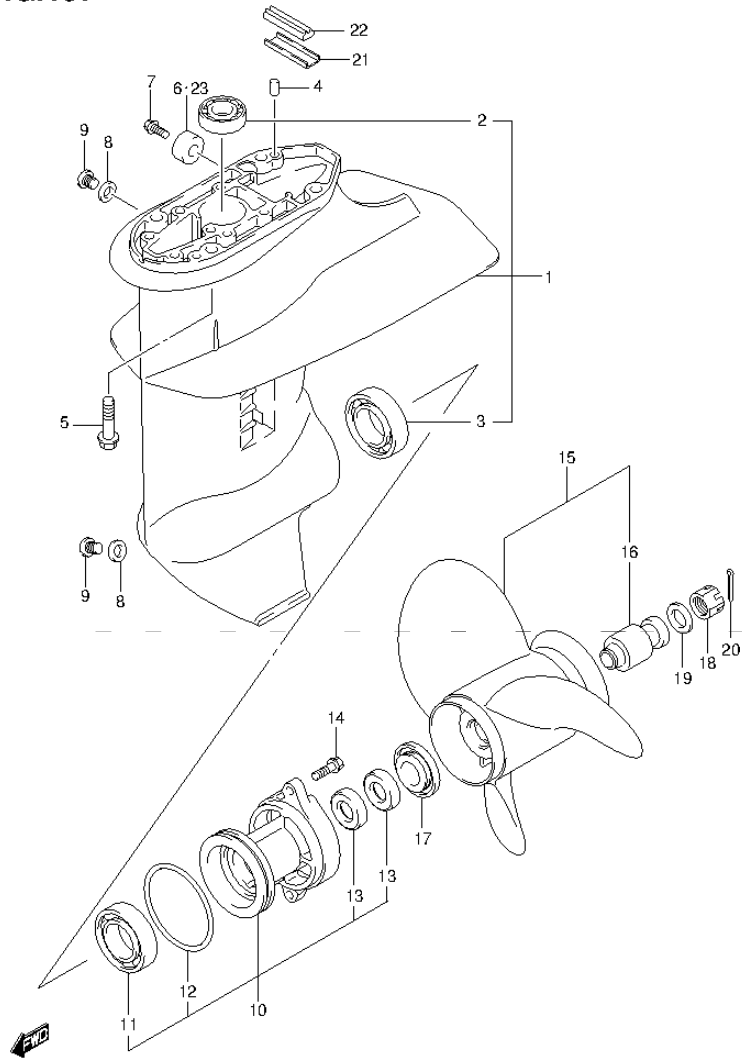


FIG.167 (2-D-2) GEAR CASE

REF NO.	PART NO.	DESCRIPTION	Q'TY	REMARKS
1	55100-99J40-0EP	CASE, GEAR (BLACK)	1	
2	09263-17L03	.BEARING (17X24X27.5)	1	
3	09262-25003	.BEARING (25X52X15)	1	
4	09202-06023	PIN (6X10)	2	
5	09116-08151	BOLT (8X30)	4	
6	55321-87J00	ANODE, PROTECTION	1	
7	09103-06281	BOLT (6X14)	1	
8	59178-97J00	GASKET, DRAIN PLUG	2	
9	09248-08001	PLUG (8X7.5)	2	
10	56120-99J40-0EP	HOUSING, PROPELLER SHAFT (BLACK)	1	
11	08110-60050	.BEARING	1	
12	09280-57002	.O RING (D:3.5,ID:65.2)	1	
13	09289-17L02	.OIL SEAL (17X30X6)	2	
14	09116-06227	BOLT (6X20)	2	
15-1	58100-89L00-019	PROPELLER, 3X9-1/4X7 (M701) (BLACK)	1	
15-2	58100-89L20-019	PROPELLER, 3X9-1/4X9 (M930) (BLACK)	1	
15-3	58100-89L30-019	PROPELLER, 3X9-1/4X10 (M1001) (BLACK)	1	
15-4	58100-89L40-019	PROPELLER, 3X9-1/4X11 (M1101) (BLACK)	1	
15-5	58100-89L50-019	PROPELLER, 3X9-1/4X12 (M1201) (BLACK)	1	
15-6	58100-90L40-019	PROPELLER, 3X9-1/4X8 (M821) (BLACK)	1	
15-7	58100-90L50-019	PROPELLER, 3X9-1/4X9 (M911) (BLACK)	1	
15-8	58100-90L60-019	PROPELLER, 3X9-1/4X10 (M1011) (BLACK)	1	
16	58120-89L00	.BUSH, PROPELLER	1	

FIG.167

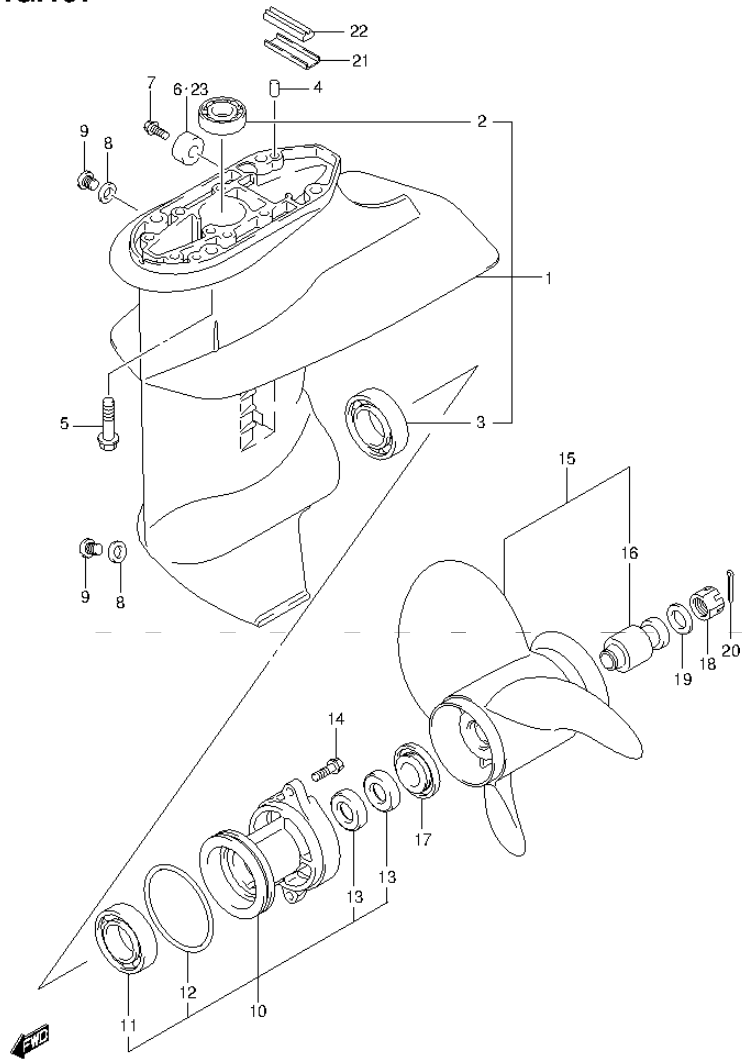


FIG.167 (2-D-3) GEAR CASE

REF NO.	PART NO.	DESCRIPTION	Q'TY	REMARKS
17	57632-94J00	STOPPER, PROPELLER BUSH	1	
18	09141-12005	NUT	1	
19	09160-12066	WASHER (12.5X22X2.5)	1	
20	09204-02004	PIN	1	
21	55331-99J10	CORE, EXHAUST SEAL	1	
22	55332-99J10	RUBBER, EXHAUST SEAL	1	
23	55321-87J10	ANODE (MAGNESIUM)	1	OPT

FIG.168

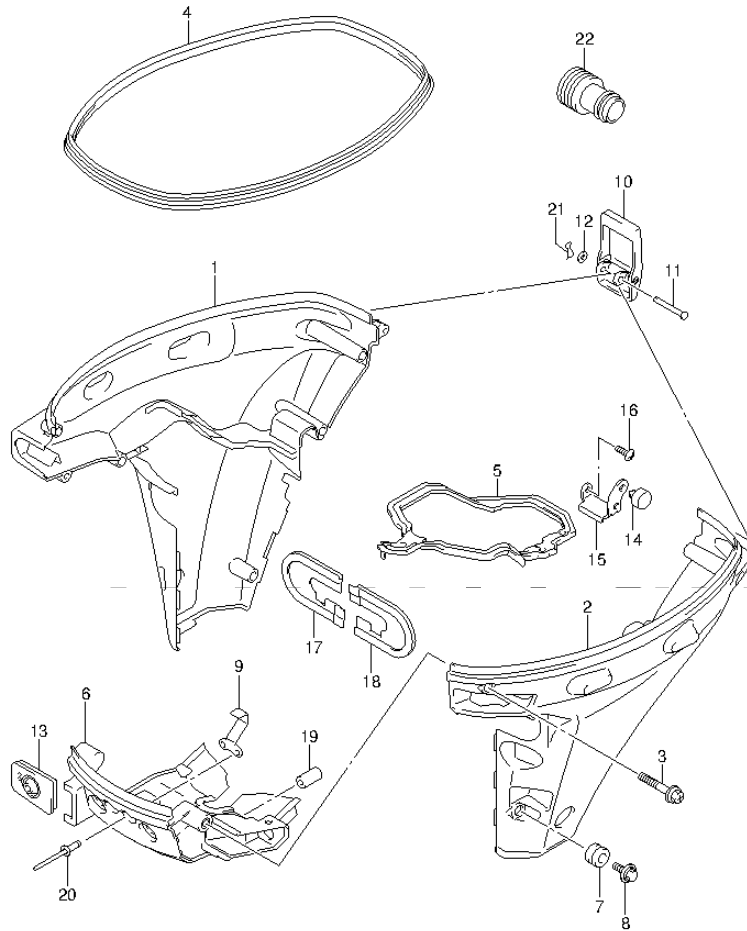


FIG.168 (2-D-4) SIDE COVER (DF9.9B P01)

REF NO.	PART NO.	DESCRIPTION	Q'TY	REMARKS
1	61810-89L00-RB4	COVER, SIDE STBD (BLACK)	1	
2	61820-89L00-RB4	COVER, SIDE PORT (BLACK)	1	
3	09136-06169	SCREW (6X35)	8	
4	61112-89L00	RUBBER, SIDE COVER	1	
5	61134-89L00	SEAL, SIDE COVER	1	
6	61831-89L00-0EP	PANEL, FRONT (BLACK)	1	
7	09320-11017	CUSHION	2	
8	09136-06168	SCREW (6X17)	2	
9	61412-89L00	HOOK, FRONT PANEL	1	
10	61610-90L00	FASTENER	1	
11	61616-93EL0	PIN, LEVER	1	
12	09161-04012	WASHER (4.2X11X1)	1	
13	61124-89L40	GROMMET, CABLE	1	
14	61151-91J11	CUSHION, LOWER COVER HOLDER	1	
15	61827-89L00	HOLDER, SIDE COVER	1	
16	02142-06167	SCREW	1	
17	54144-89L10	SEAL, UPPER MOUNT STBD	1	
18	54145-89L00	SEAL, UPPER MOUNT PORT	1	
19	09251-09007	CUSHION	2	
20	09229-04005	RIVET	2	
21	09385-04003	CLIP	1	
22	17917-87L00	CONNECTOR, FLUSH WATER	1	

FIG.169

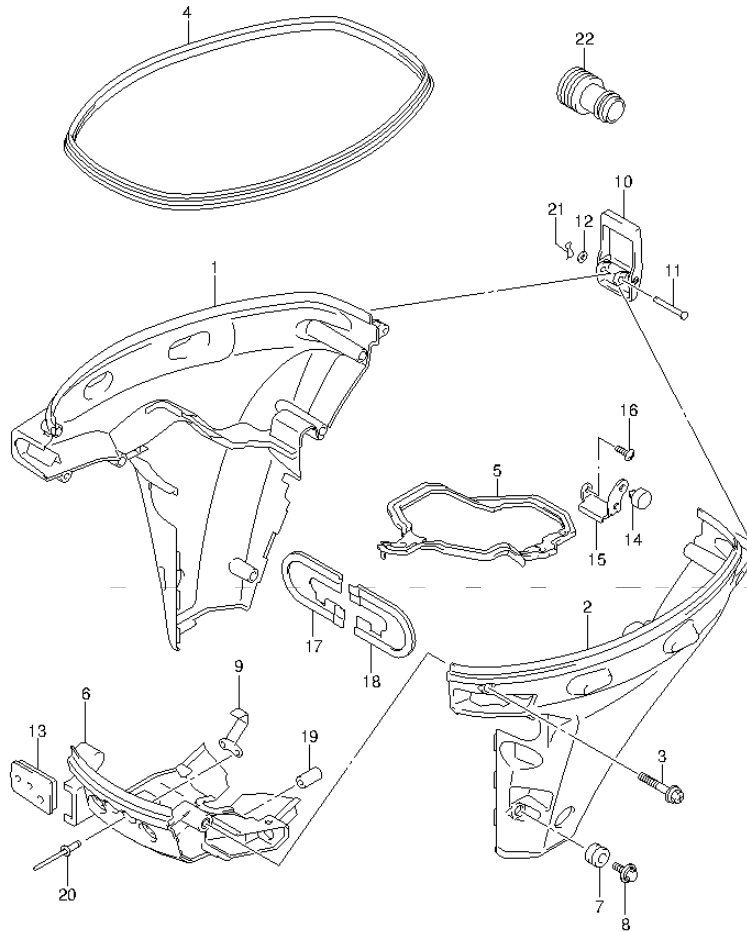


FIG.169 (2-D-5) SIDE COVER (DF9.9BR P01)

REF NO.	PART NO.	DESCRIPTION	Q'TY	REMARKS
1	61810-89L00-RB4	COVER, SIDE STBD (BLACK)	1	
2	61820-89L00-RB4	COVER, SIDE PORT (BLACK)	1	
3	09136-06169	SCREW (6X35)	8	
4	61112-89L00	RUBBER, SIDE COVER	1	
5	61134-89L00	SEAL, SIDE COVER	1	
6	61831-89L00-0EP	PANEL, FRONT (BLACK)	1	
7	09320-11017	CUSHION	2	
8	09136-06168	SCREW (6X17)	2	
9	61412-89L00	HOOK, FRONT PANEL	1	
10	61610-90L00	FASTENER	1	
11	61616-93EL0	PIN, LEVER	1	
12	09161-04012	WASHER (4.2X11X1)	1	
13	61124-89L20	GROMMET, CABLE	1	
14	61151-91J11	CUSHION, LOWER COVER HOLDER	1	
15	61827-89L00	HOLDER, SIDE COVER	1	
16	02142-06167	SCREW	1	
17	54144-89L10	SEAL, UPPER MOUNT STBD	1	
18	54145-89L00	SEAL, UPPER MOUNT PORT	1	
19	09251-09007	CUSHION	2	
20	09229-04005	RIVET	2	
21	09385-04003	CLIP	1	
22	17917-87L00	CONNECTOR, FLUSH WATER	1	

FIG.170

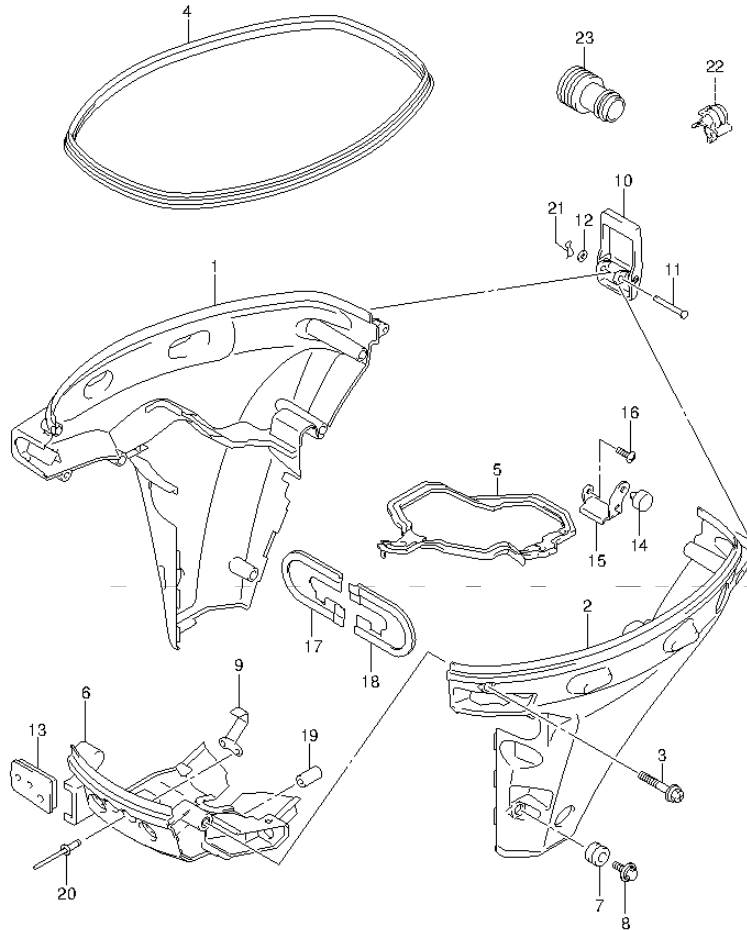


FIG.170 (2-D-6) SIDE COVER (DF9.9BT P01)

REF NO.	PART NO.	DESCRIPTION	Q'TY	REMARKS
1	61810-89L10-RB4	COVER, SIDE STBD (BLACK)	1	
2	61820-89L10-RB4	COVER, SIDE PORT (BLACK)	1	
3	09136-06169	SCREW (6X35)	8	
4	61112-89L00	RUBBER, SIDE COVER	1	
5	61134-89L00	SEAL, SIDE COVER	1	
6	61831-89L00-0EP	PANEL, FRONT (BLACK)	1	
7	09320-11017	CUSHION	2	
8	09136-06168	SCREW (6X17)	2	
9	61412-89L00	HOOK, FRONT PANEL	1	
10	61610-90L00	FASTENER	1	
11	61616-93EL0	PIN, LEVER	1	
12	09161-04012	WASHER (4.2X11X1)	1	
13	61124-89L30	GROMMET, CABLE	1	
14	61151-91J11	CUSHION, LOWER COVER HOLDER	1	
15	61827-89L00	HOLDER, SIDE COVER	1	
16	02142-06167	SCREW	1	
17	54144-89L10	SEAL, UPPER MOUNT STBD	1	
18	54145-89L00	SEAL, UPPER MOUNT PORT	1	
19	09251-09007	CUSHION	2	
20	09229-04005	RIVET	2	
21	09385-04003	CLIP	1	
22	09403-07308	CLAMP	2	
23	17917-87L00	CONNECTOR, FLUSH WATER	1	

FIG.171

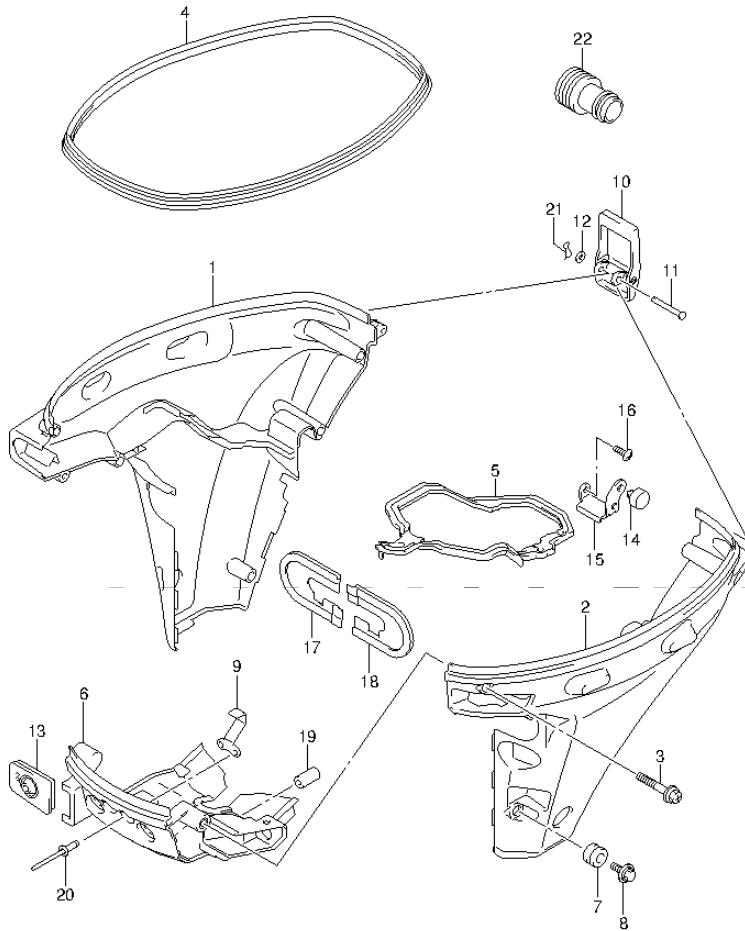


FIG.171 (2-D-7) SIDE COVER (DF15A P01)

REF NO.	PART NO.	DESCRIPTION	Q'TY	REMARKS
1	61810-89L00-RB4	COVER, SIDE STBD (BLACK)	1	
2	61820-89L00-RB4	COVER, SIDE PORT (BLACK)	1	
3	09136-06169	SCREW (6X35)	8	
4	61112-89L00	RUBBER, SIDE COVER	1	
5	61134-89L00	SEAL, SIDE COVER	1	
6	61831-89L00-0EP	PANEL, FRONT (BLACK)	1	
7	09320-11017	CUSHION	2	
8	09136-06168	SCREW (6X17)	2	
9	61412-89L00	HOOK, FRONT PANEL	1	
10	61610-90L00	FASTENER	1	
11	61616-93EL0	PIN, LEVER	1	
12	09161-04012	WASHER (4.2X11X1)	1	
13	61124-89L40	GROMMET, CABLE	1	
14	61151-91J11	CUSHION, LOWER COVER HOLDER	1	
15	61827-89L00	HOLDER, SIDE COVER	1	
16	02142-06167	SCREW	1	
17	54144-89L10	SEAL, UPPER MOUNT STBD	1	
18	54145-89L00	SEAL, UPPER MOUNT PORT	1	
19	09251-09007	CUSHION	2	
20	09229-04005	RIVET	2	
21	09385-04003	CLIP	1	
22	17917-87L00	CONNECTOR, FLUSH WATER	1	

FIG.172

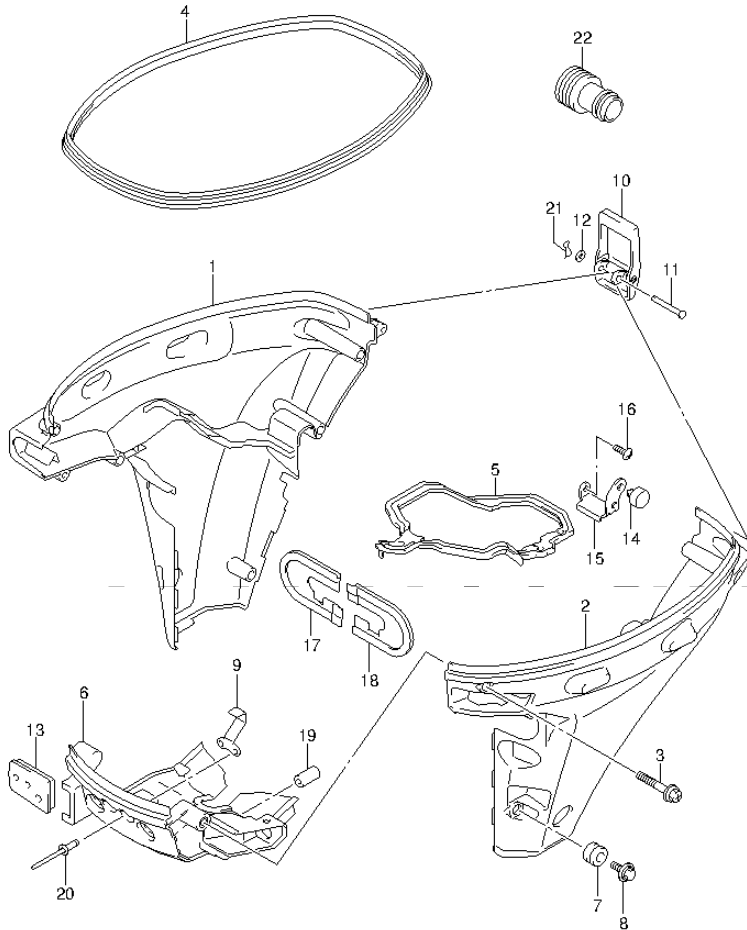


FIG.172 (2-D-8) SIDE COVER (DF15AR P01)

REF NO.	PART NO.	DESCRIPTION	Q'TY	REMARKS
1	61810-89L00-RB4	COVER, SIDE STBD (BLACK)	1	
2	61820-89L00-RB4	COVER, SIDE PORT (BLACK)	1	
3	09136-06169	SCREW (6X35)	8	
4	61112-89L00	RUBBER, SIDE COVER	1	
5	61134-89L00	SEAL, SIDE COVER	1	
6	61831-89L00-0EP	PANEL, FRONT (BLACK)	1	
7	09320-11017	CUSHION	2	
8	09136-06168	SCREW (6X17)	2	
9	61412-89L00	HOOK, FRONT PANEL	1	
10	61610-90L00	FASTENER	1	
11	61616-93EL0	PIN, LEVER	1	
12	09161-04012	WASHER (4.2X11X1)	1	
13	61124-89L20	GROMMET, CABLE	1	
14	61151-91J11	CUSHION, LOWER COVER HOLDER	1	
15	61827-89L00	HOLDER, SIDE COVER	1	
16	02142-06167	SCREW	1	
17	54144-89L10	SEAL, UPPER MOUNT STBD	1	
18	54145-89L00	SEAL, UPPER MOUNT PORT	1	
19	09251-09007	CUSHION	2	
20	09229-04005	RIVET	2	
21	09385-04003	CLIP	1	
22	17917-87L00	CONNECTOR, FLUSH WATER	1	

FIG.173

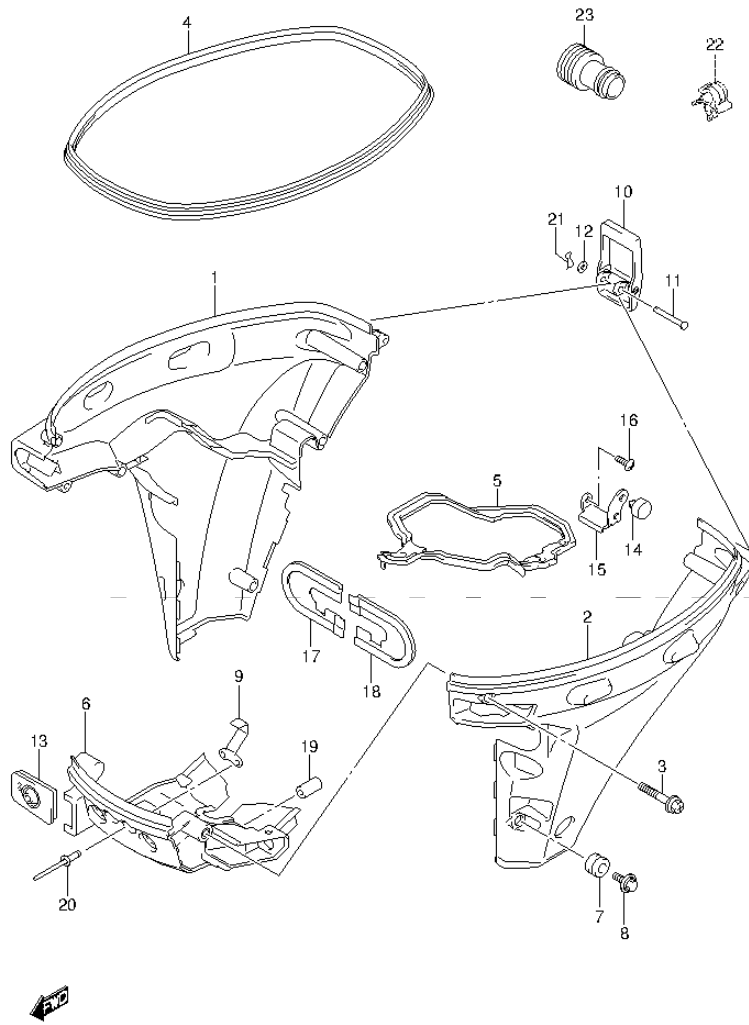


FIG.173 (2-D-9) SIDE COVER (DF15ATH P01)

REF NO.	PART NO.	DESCRIPTION	Q'TY	REMARKS
1	61810-89L10-RB4	COVER, SIDE STBD (BLACK)	1	
2	61820-89L00-RB4	COVER, SIDE PORT (BLACK)	1	
3	09136-06169	SCREW (6X35)	8	
4	61112-89L00	RUBBER, SIDE COVER	1	
5	61134-89L00	SEAL, SIDE COVER	1	
6	61831-89L00-0EP	PANEL, FRONT (BLACK)	1	
7	09320-11017	CUSHION	2	
8	09136-06168	SCREW (6X17)	2	
9	61412-89L00	HOOK, FRONT PANEL	1	
10	61610-90L00	FASTENER	1	
11	61616-93EL0	PIN, LEVER	1	
12	09161-04012	WASHER (4.2X11X1)	1	
13	61124-89L40	GROMMET, CABLE	1	
14	61151-91J11	CUSHION, LOWER COVER HOLDER	1	
15	61827-89L00	HOLDER, SIDE COVER	1	
16	02142-06167	SCREW	1	
17	54144-89L10	SEAL, UPPER MOUNT STBD	1	
18	54145-89L00	SEAL, UPPER MOUNT PORT	1	
19	09251-09007	CUSHION	2	
20	09229-04005	RIVET	2	
21	09385-04003	CLIP	1	
22	09403-07308	CLAMP	2	
23	17917-87L00	CONNECTOR, FLUSH WATER	1	

FIG.174

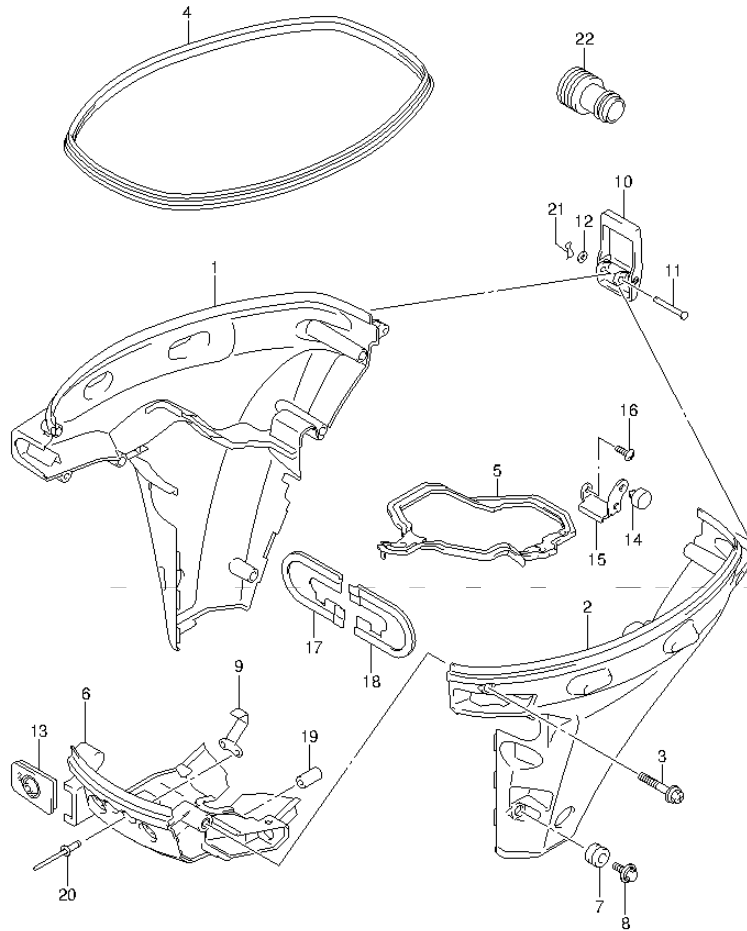


FIG.174 (2-D-10) SIDE COVER (DF20A P01)

REF NO.	PART NO.	DESCRIPTION	Q'TY	REMARKS
1	61810-89L00-RB4	COVER, SIDE STBD (BLACK)	1	
2	61820-89L00-RB4	COVER, SIDE PORT (BLACK)	1	
3	09136-06169	SCREW (6X35)	8	
4	61112-89L00	RUBBER, SIDE COVER	1	
5	61134-89L00	SEAL, SIDE COVER	1	
6	61831-89L00-0EP	PANEL, FRONT (BLACK)	1	
7	09320-11017	CUSHION	2	
8	09136-06168	SCREW (6X17)	2	
9	61412-89L00	HOOK, FRONT PANEL	1	
10	61610-90L00	FASTENER	1	
11	61616-93EL0	PIN, LEVER	1	
12	09161-04012	WASHER (4.2X11X1)	1	
13	61124-89L40	GROMMET, CABLE	1	
14	61151-91J11	CUSHION, LOWER COVER HOLDER	1	
15	61827-89L00	HOLDER, SIDE COVER	1	
16	02142-06167	SCREW	1	
17	54144-89L10	SEAL, UPPER MOUNT STBD	1	
18	54145-89L00	SEAL, UPPER MOUNT PORT	1	
19	09251-09007	CUSHION	2	
20	09229-04005	RIVET	2	
21	09385-04003	CLIP	1	
22	17917-87L00	CONNECTOR, FLUSH WATER	1	

FIG.175

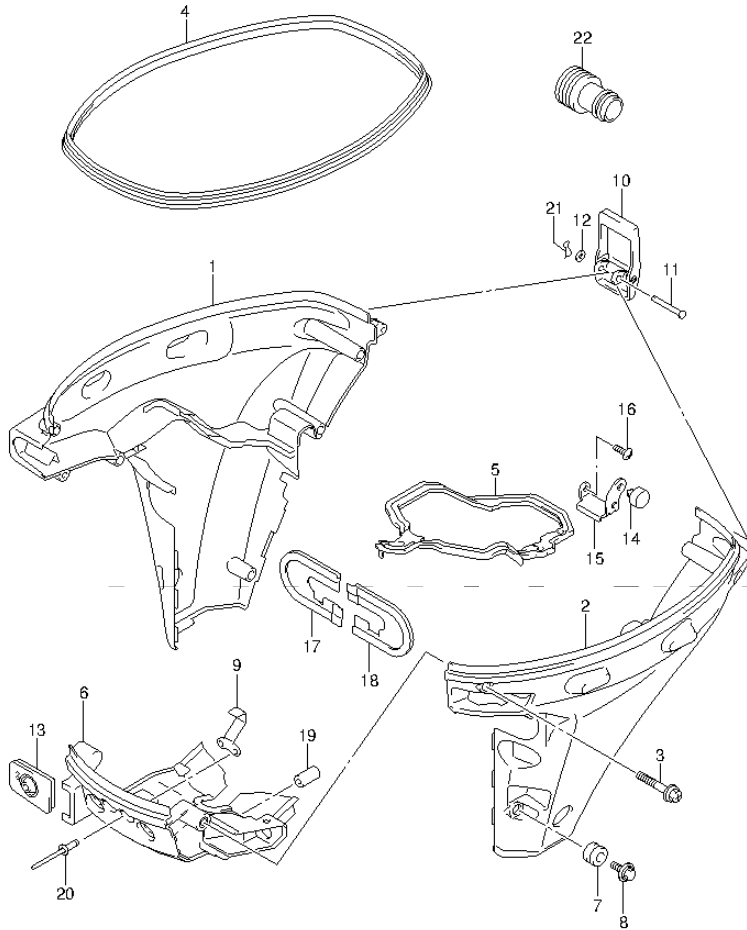


FIG.175 (2-D-11) SIDE COVER (DF20A P40)

REF NO.	PART NO.	DESCRIPTION	Q'TY	REMARKS
1	61810-89L00-RB4	COVER, SIDE STBD (BLACK)	1	
2	61820-89L00-RB4	COVER, SIDE PORT (BLACK)	1	
3	09136-06169	SCREW (6X35)	8	
4	61112-89L00	RUBBER, SIDE COVER	1	
5	61134-89L00	SEAL, SIDE COVER	1	
6	61831-89L00-0EP	PANEL, FRONT (BLACK)	1	
7	09320-11017	CUSHION	2	
8	09136-06168	SCREW (6X17)	2	
9	61412-89L00	HOOK, FRONT PANEL	1	
10	61610-90L00	FASTENER	1	
11	61616-93EL0	PIN, LEVER	1	
12	09161-04012	WASHER (4.2X11X1)	1	
13	61124-89L40	GROMMET, CABLE	1	
14	61151-91J11	CUSHION, LOWER COVER HOLDER	1	
15	61827-89L00	HOLDER, SIDE COVER	1	
16	02142-06167	SCREW	1	
17	54144-89L10	SEAL, UPPER MOUNT STBD	1	
18	54145-89L00	SEAL, UPPER MOUNT PORT	1	
19	09251-09007	CUSHION	2	
20	09229-04005	RIVET	2	
21	09385-04003	CLIP	1	
22	17917-87L00	CONNECTOR, FLUSH WATER	1	

FIG.176

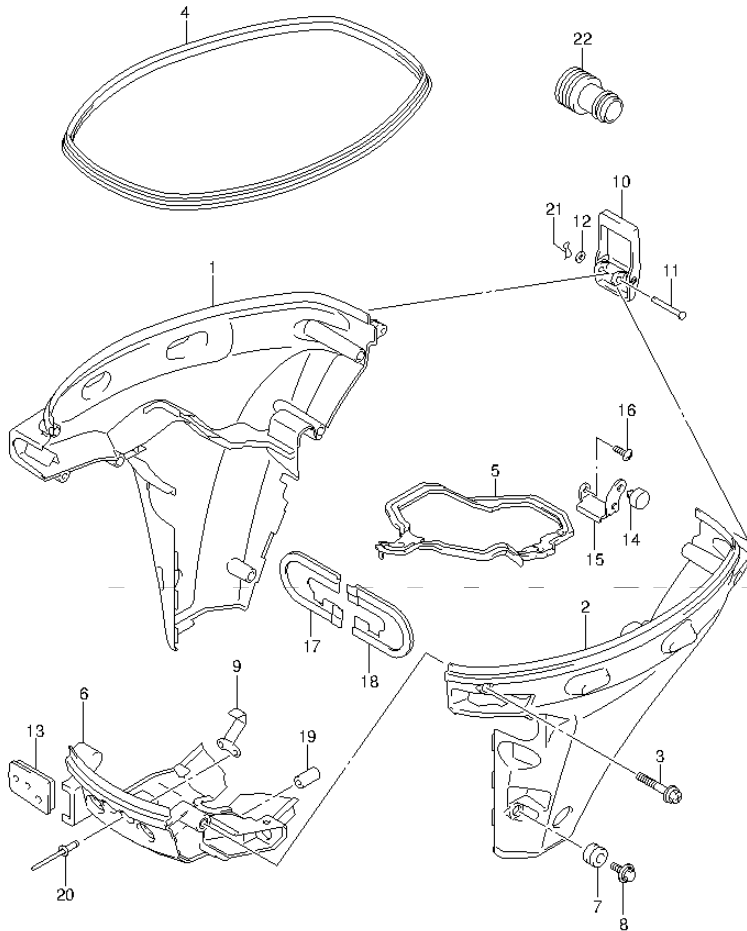


FIG.176 (2-D-12) SIDE COVER (DF20AR P01)

REF NO.	PART NO.	DESCRIPTION	Q'TY	REMARKS
1	61810-89L00-RB4	COVER, SIDE STBD (BLACK)	1	
2	61820-89L00-RB4	COVER, SIDE PORT (BLACK)	1	
3	09136-06169	SCREW (6X35)	8	
4	61112-89L00	RUBBER, SIDE COVER	1	
5	61134-89L00	SEAL, SIDE COVER	1	
6	61831-89L00-0EP	PANEL, FRONT (BLACK)	1	
7	09320-11017	CUSHION	2	
8	09136-06168	SCREW (6X17)	2	
9	61412-89L00	HOOK, FRONT PANEL	1	
10	61610-90L00	FASTENER	1	
11	61616-93EL0	PIN, LEVER	1	
12	09161-04012	WASHER (4.2X11X1)	1	
13	61124-89L20	GROMMET, CABLE	1	
14	61151-91J11	CUSHION, LOWER COVER HOLDER	1	
15	61827-89L00	HOLDER, SIDE COVER	1	
16	02142-06167	SCREW	1	
17	54144-89L10	SEAL, UPPER MOUNT STBD	1	
18	54145-89L00	SEAL, UPPER MOUNT PORT	1	
19	09251-09007	CUSHION	2	
20	09229-04005	RIVET	2	
21	09385-04003	CLIP	1	
22	17917-87L00	CONNECTOR, FLUSH WATER	1	

FIG.177

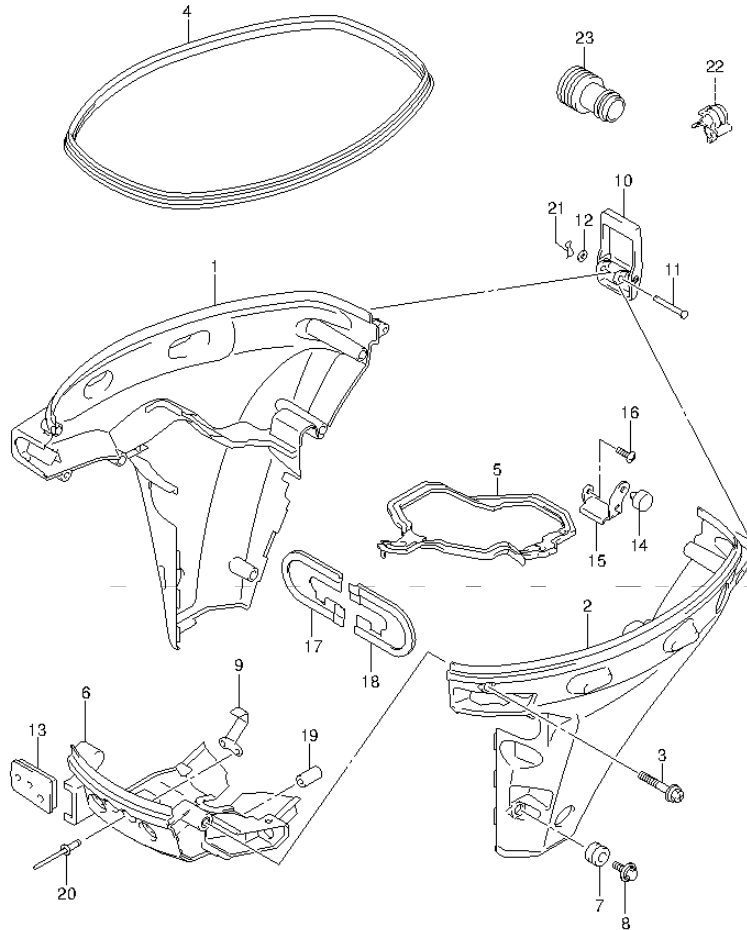


FIG.177 (2-D-13) SIDE COVER (DF20AT P01)

REF NO.	PART NO.	DESCRIPTION	Q'TY	REMARKS
1	61810-89L10-RB4	COVER, SIDE STBD (BLACK)	1	
2	61820-89L10-RB4	COVER, SIDE PORT (BLACK)	1	
3	09136-06169	SCREW (6X35)	8	
4	61112-89L00	RUBBER, SIDE COVER	1	
5	61134-89L00	SEAL, SIDE COVER	1	
6	61831-89L00-0EP	PANEL, FRONT (BLACK)	1	
7	09320-11017	CUSHION	2	
8	09136-06168	SCREW (6X17)	2	
9	61412-89L00	HOOK, FRONT PANEL	1	
10	61610-90L00	FASTENER	1	
11	61616-93EL0	PIN, LEVER	1	
12	09161-04012	WASHER (4.2X11X1)	1	
13	61124-89L30	GROMMET, CABLE	1	
14	61151-91J11	CUSHION, LOWER COVER HOLDER	1	
15	61827-89L00	HOLDER, SIDE COVER	1	
16	02142-06167	SCREW	1	
17	54144-89L10	SEAL, UPPER MOUNT STBD	1	
18	54145-89L00	SEAL, UPPER MOUNT PORT	1	
19	09251-09007	CUSHION	2	
20	09229-04005	RIVET	2	
21	09385-04003	CLIP	1	
22	09403-07308	CLAMP	2	
23	17917-87L00	CONNECTOR, FLUSH WATER	1	

FIG.178

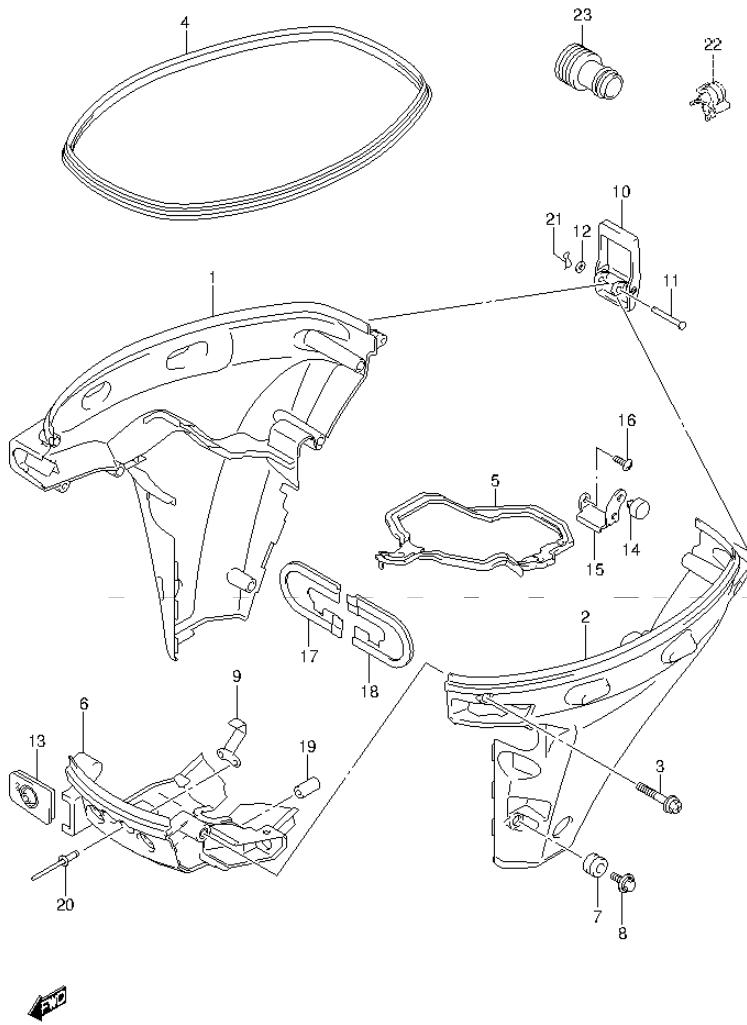


FIG.178 (2-D-14) SIDE COVER (DF20ATH P01)

REF NO.	PART NO.	DESCRIPTION	Q'TY	REMARKS
1	61810-89L10-RB4	COVER, SIDE STBD (BLACK)	1	
2	61820-89L00-RB4	COVER, SIDE PORT (BLACK)	1	
3	09136-06169	SCREW (6X35)	8	
4	61112-89L00	RUBBER, SIDE COVER	1	
5	61134-89L00	SEAL, SIDE COVER	1	
6	61831-89L00-0EP	PANEL, FRONT (BLACK)	1	
7	09320-11017	CUSHION	2	
8	09136-06168	SCREW (6X17)	2	
9	61412-89L00	HOOK, FRONT PANEL	1	
10	61610-90L00	FASTENER	1	
11	61616-93EL0	PIN, LEVER	1	
12	09161-04012	WASHER (4.2X11X1)	1	
13	61124-89L40	GROMMET, CABLE	1	
14	61151-91J11	CUSHION, LOWER COVER HOLDER	1	
15	61827-89L00	HOLDER, SIDE COVER	1	
16	02142-06167	SCREW	1	
17	54144-89L10	SEAL, UPPER MOUNT STBD	1	
18	54145-89L00	SEAL, UPPER MOUNT PORT	1	
19	09251-09007	CUSHION	2	
20	09229-04005	RIVET	2	
21	09385-04003	CLIP	1	
22	09403-07308	CLAMP	2	
23	17917-87L00	CONNECTOR, FLUSH WATER	1	

FIG.179

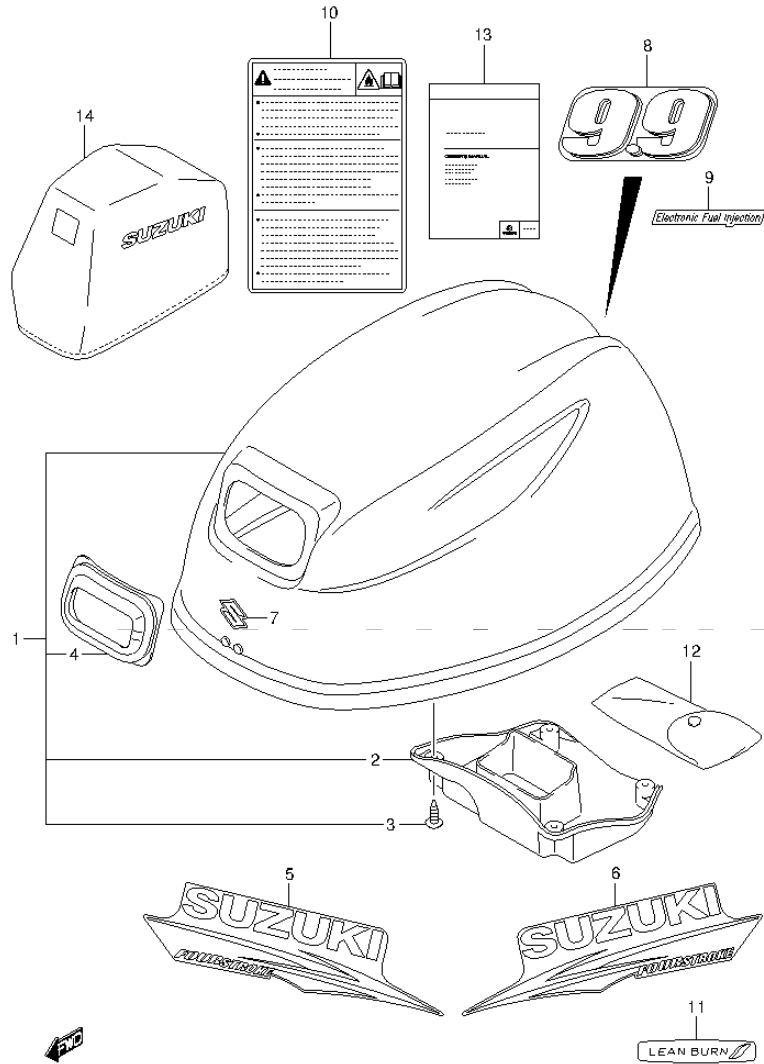


FIG.179 (2-D-15) ENGINE COVER (DF9.9B P01)

REF NO.	PART NO.	DESCRIPTION	Q'TY	REMARKS
1	61400-89L00-OEP	COVER ASSY, ENGINE (BLACK)	1	
2	61433-89L00	.COVER, AIR INTAKE INNER	1	
3	03542-05169	.SCREW	4	
4	61622-90L00	.SEAL, RECOIL STARTER	1	
5	61443-99J00	STRIPE, ENGINE COVER STBD	1	
6	61453-99J00	STRIPE, ENGINE COVER PORT	1	
7	68111-89L00	EMBLEM (S)	1	
8	61435-99J10	MARK, EMBLEM REAR (9.9)	1	
9	61446-89L00	DECAL, EFI	1	
10	61458-89L00	LABEL, ENGINE COVER	1	
11	61471-89L00	DECAL, LEAN BURN	1	
12	59800-89L00	TOOL ASSY	1	
13	99011-89L10-055	MANUAL, OWNER'S	1	
14	68110-89L00	COVER, WEATHER	1	OPT

FIG.180

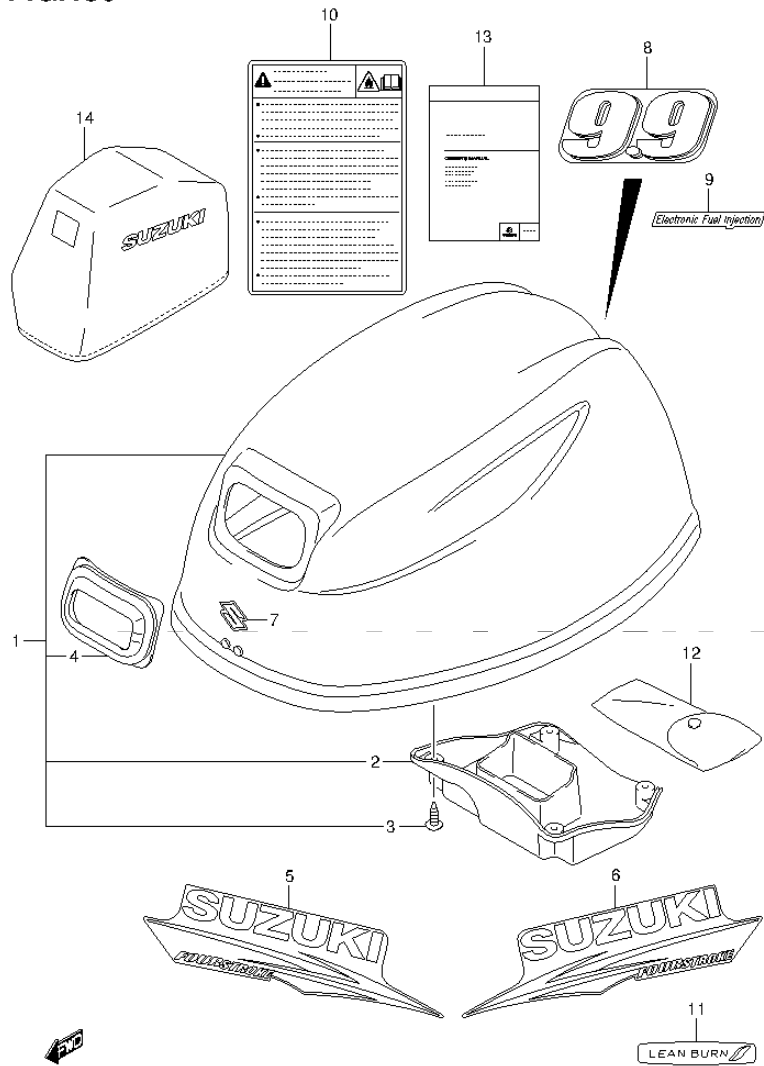


FIG.180 (2-E-2) ENGINE COVER (DF9.9BR P01)

REF NO.	PART NO.	DESCRIPTION	Q'TY	REMARKS
1	61400-89L00-OEP	COVER ASSY, ENGINE (BLACK)	1	
2	61433-89L00	.COVER, AIR INTAKE INNER	1	
3	03542-05169	.SCREW	4	
4	61622-90L00	.SEAL, RECOIL STARTER	1	
5	61443-99J00	STRIPE, ENGINE COVER STBD	1	
6	61453-99J00	STRIPE, ENGINE COVER PORT	1	
7	68111-89L00	EMBLEM (S)	1	
8	61435-99J10	MARK, EMBLEM REAR (9.9)	1	
9	61446-89L00	DECAL, EFI	1	
10	61458-89L00	LABEL, ENGINE COVER	1	
11	61471-89L00	DECAL, LEAN BURN	1	
12	59800-89L00	TOOL ASSY	1	
13	99011-89L10-055	MANUAL, OWNER'S	1	
14	68110-89L00	COVER, WEATHER	1	OPT

FIG.181

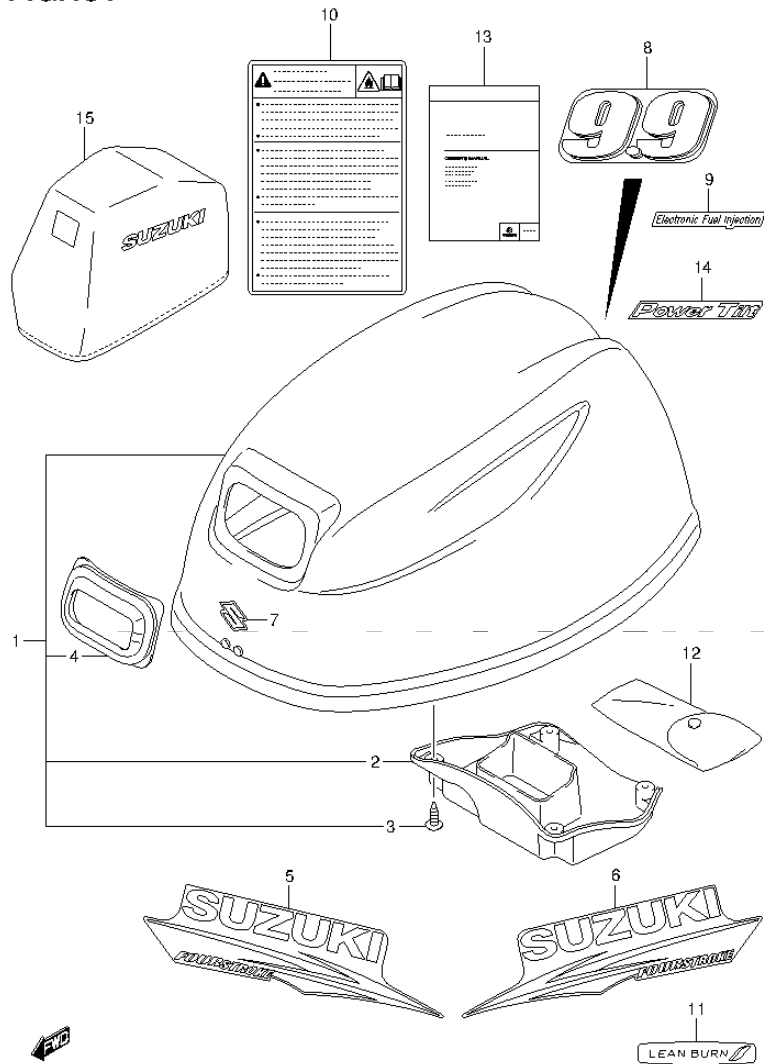


FIG.181 (2-E-3) ENGINE COVER (DF9.9BT P01)

REF NO.	PART NO.	DESCRIPTION	Q'TY	REMARKS
1	61400-89L00-OEP	COVER ASSY, ENGINE (BLACK)	1	
2	61433-89L00	.COVER, AIR INTAKE INNER	1	
3	03542-05169	.SCREW	4	
4	61622-90L00	.SEAL, RECOIL STARTER	1	
5	61443-99J00	STRIPE, ENGINE COVER STBD	1	
6	61453-99J00	STRIPE, ENGINE COVER PORT	1	
7	68111-89L00	EMBLEM (S)	1	
8	61435-99J10	MARK, EMBLEM REAR (9.9)	1	
9	61446-89L00	DECAL, EFI	1	
10	61458-89L00	LABEL, ENGINE COVER	1	
11	61471-89L00	DECAL, LEAN BURN	1	
12	59800-89L00	TOOL ASSY	1	
13	99011-89L10-055	MANUAL, OWNER'S	1	
14	61447-94J00	MARK, EMBLEM POWER TILT	1	
15	68110-89L00	COVER, WEATHER	1	OPT

FIG.182

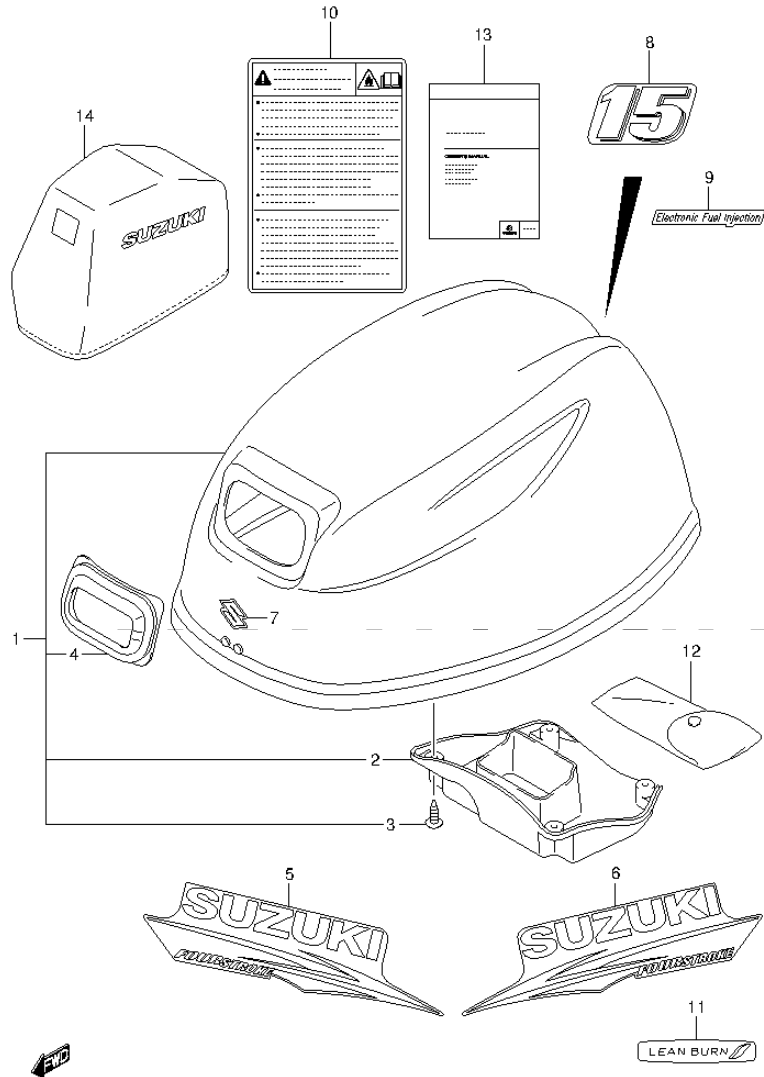


FIG.182 (2-E-4) ENGINE COVER (DF15A P01)

REF NO.	PART NO.	DESCRIPTION	Q'TY	REMARKS
1	61400-89L00-OEP	COVER ASSY, ENGINE (BLACK)	1	
2	61433-89L00	.COVER, AIR INTAKE INNER	1	
3	03542-05169	.SCREW	4	
4	61622-90L00	.SEAL, RECOIL STARTER	1	
5	61443-99J00	STRIPE, ENGINE COVER STBD	1	
6	61453-99J00	STRIPE, ENGINE COVER PORT	1	
7	68111-89L00	EMBLEM (S)	1	
8	61435-94J30	MARK, EMBLEM REAR (15)	1	
9	61446-89L00	DECAL, EFI	1	
10	61458-89L00	LABEL, ENGINE COVER	1	
11	61471-89L00	DECAL, LEAN BURN	1	
12	59800-89L00	TOOL ASSY	1	
13	99011-89L10-055	MANUAL, OWNER'S	1	
14	68110-89L00	COVER, WEATHER	1	OPT

FIG.183

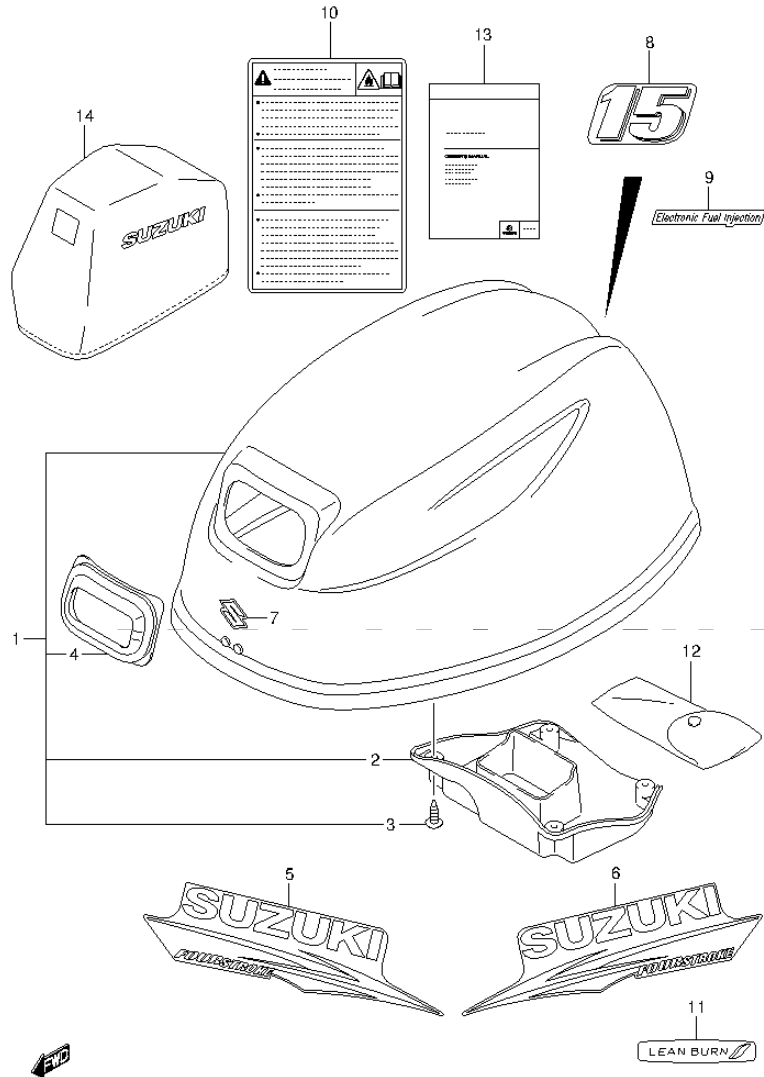


FIG.183 (2-E-5) ENGINE COVER (DF15AR P01)

REF NO.	PART NO.	DESCRIPTION	Q'TY	REMARKS
1	61400-89L00-OEP	COVER ASSY, ENGINE (BLACK)	1	
2	61433-89L00	.COVER, AIR INTAKE INNER	1	
3	03542-05169	.SCREW	4	
4	61622-90L00	.SEAL, RECOIL STARTER	1	
5	61443-99J00	STRIPE, ENGINE COVER STBD	1	
6	61453-99J00	STRIPE, ENGINE COVER PORT	1	
7	68111-89L00	EMBLEM (S)	1	
8	61435-94J30	MARK, EMBLEM REAR (15)	1	
9	61446-89L00	DECAL, EFI	1	
10	61458-89L00	LABEL, ENGINE COVER	1	
11	61471-89L00	DECAL, LEAN BURN	1	
12	59800-89L00	TOOL ASSY	1	
13	99011-89L10-055	MANUAL, OWNER'S	1	
14	68110-89L00	COVER, WEATHER	1	OPT

FIG.184

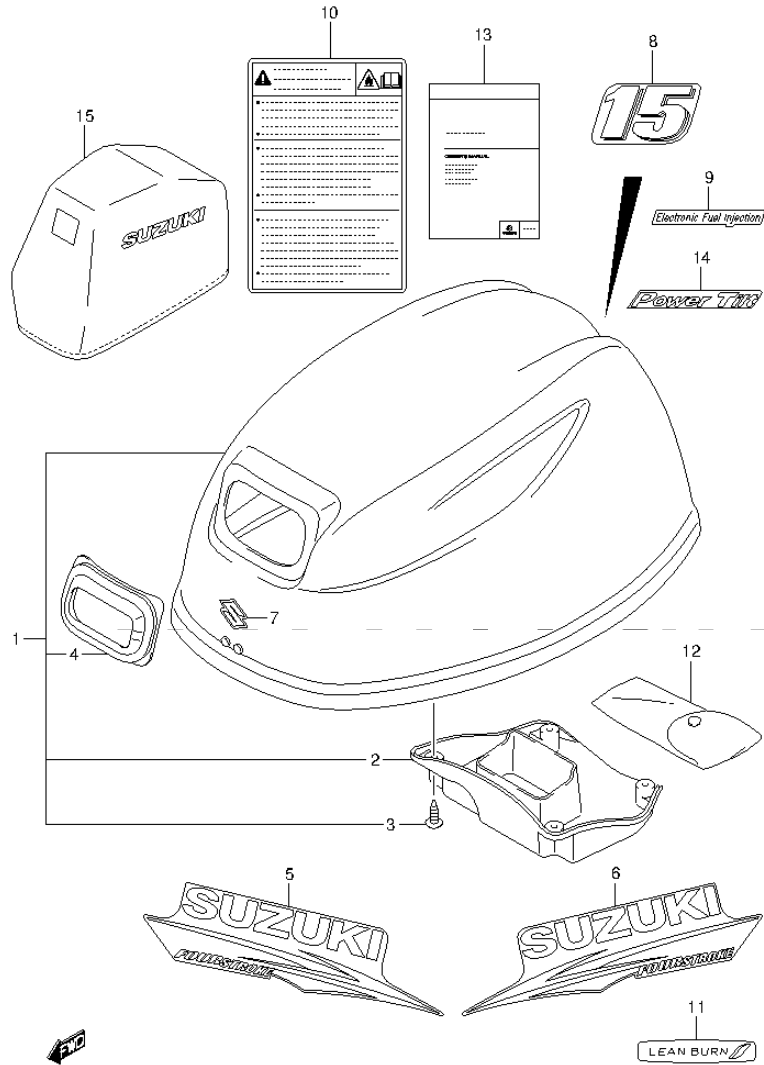


FIG.184 (2-E-6) ENGINE COVER (DF15ATH P01)

REF NO.	PART NO.	DESCRIPTION	Q'TY	REMARKS
1	61400-89L00-OEP	COVER ASSY, ENGINE (BLACK)	1	
2	61433-89L00	.COVER, AIR INTAKE INNER	1	
3	03542-05169	.SCREW	4	
4	61622-90L00	.SEAL, RECOIL STARTER	1	
5	61443-99J00	STRIPE, ENGINE COVER STBD	1	
6	61453-99J00	STRIPE, ENGINE COVER PORT	1	
7	68111-89L00	EMBLEM (S)	1	
8	61435-94J30	MARK, EMBLEM REAR (15)	1	
9	61446-89L00	DECAL, EFI	1	
10	61458-89L00	LABEL, ENGINE COVER	1	
11	61471-89L00	DECAL, LEAN BURN	1	
12	59800-89L00	TOOL ASSY	1	
13	99011-89L10-055	MANUAL, OWNER'S	1	
14	61447-94J00	MARK, EMBLEM POWER TILT	1	
15	68110-89L00	COVER, WEATHER	1	OPT

FIG.185

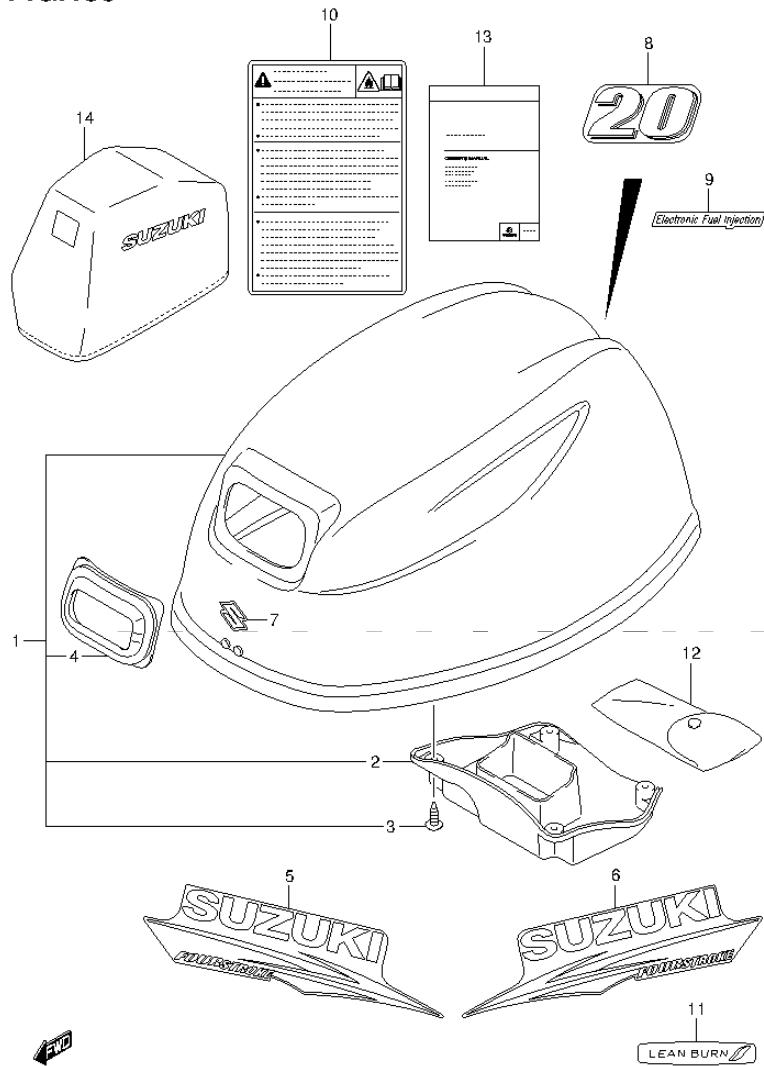


FIG.185 (2-E-7) ENGINE COVER (DF20A P01)

REF NO.	PART NO.	DESCRIPTION	Q'TY	REMARKS
1	61400-89L00-0EP	COVER ASSY, ENGINE (BLACK)	1	
2	61433-89L00	.COVER, AIR INTAKE INNER	1	
3	03542-05169	.SCREW	4	
4	61622-90L00	.SEAL, RECOIL STARTER	1	
5	61443-99J00	STRIPE, ENGINE COVER STBD	1	
6	61453-99J00	STRIPE, ENGINE COVER PORT	1	
7	68111-89L00	EMBLEM (S)	1	
8	61435-89L00	MARK, EMBLEM REAR (20)	1	
9	61446-89L00	DECAL, EFI	1	
10	61458-89L00	LABEL, ENGINE COVER	1	
11	61471-89L00	DECAL, LEAN BURN	1	
12	59800-89L00	TOOL ASSY	1	
13	99011-89L10-055	MANUAL, OWNER'S	1	
14	68110-89L00	COVER, WEATHER	1	OPT

FIG.186

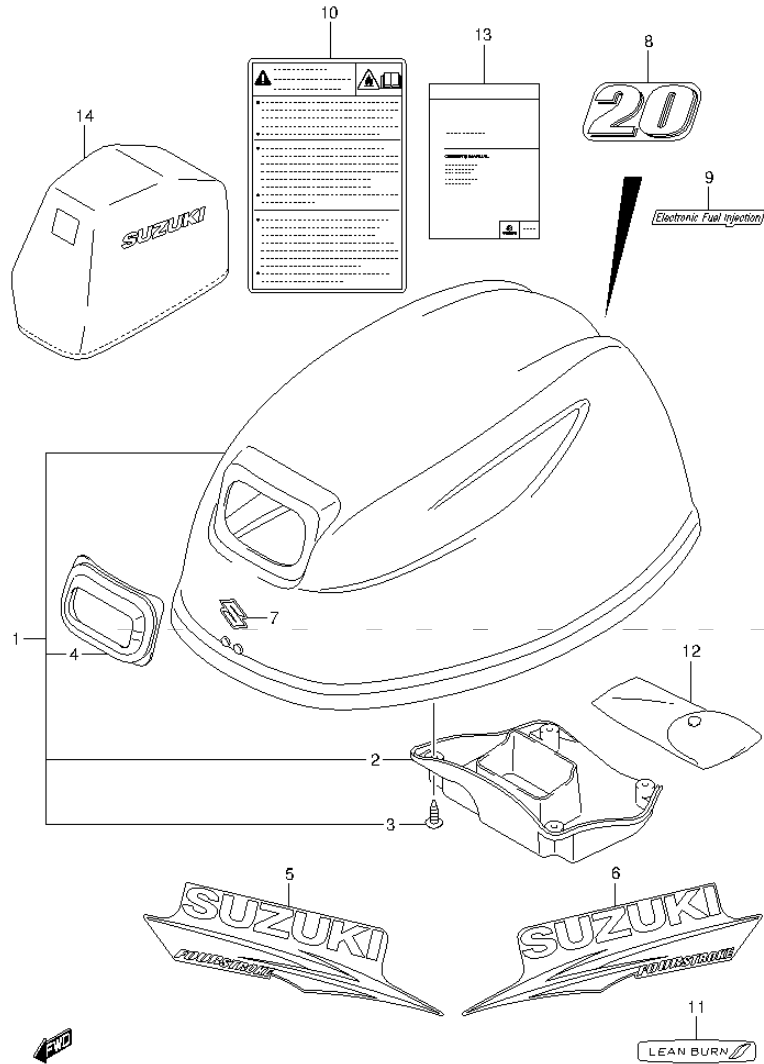


FIG.186 (2-E-8) ENGINE COVER (DF20A P40)

REF NO.	PART NO.	DESCRIPTION	Q'TY	REMARKS
1	61400-89L00-OEP	COVER ASSY, ENGINE (BLACK)	1	
2	61433-89L00	.COVER, AIR INTAKE INNER	1	
3	03542-05169	.SCREW	4	
4	61622-90L00	.SEAL, RECOIL STARTER	1	
5	61443-99J00	STRIPE, ENGINE COVER STBD	1	
6	61453-99J00	STRIPE, ENGINE COVER PORT	1	
7	68111-89L00	EMBLEM (S)	1	
8	61435-89L00	MARK, EMBLEM REAR (20)	1	
9	61446-89L00	DECAL, EFI	1	
10	61458-89L00	LABEL, ENGINE COVER	1	
11	61471-89L00	DECAL, LEAN BURN	1	
12	59800-89L00	TOOL ASSY	1	
13	99011-89L10-055	MANUAL, OWNER'S	1	
14	68110-89L00	COVER, WEATHER	1	OPT

FIG.187

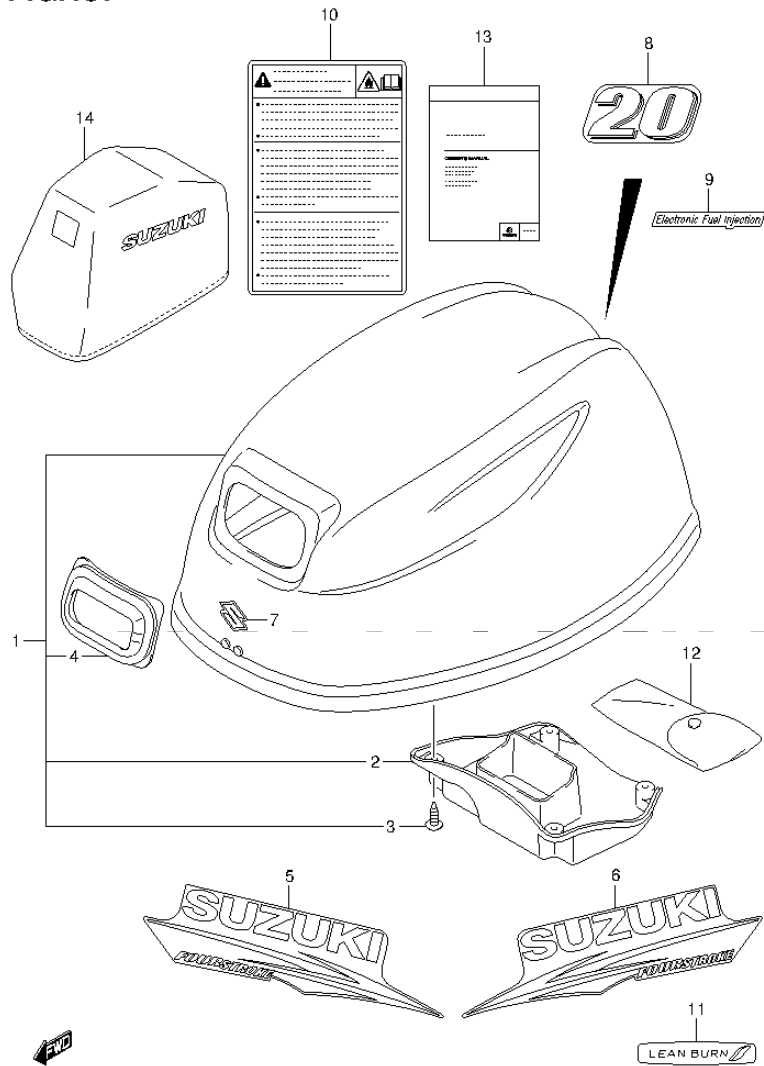


FIG.187 (2-E-9) ENGINE COVER (DF20AR P01)

REF NO.	PART NO.	DESCRIPTION	Q'TY	REMARKS
1	61400-89L00-OEP	COVER ASSY, ENGINE (BLACK)	1	
2	61433-89L00	.COVER, AIR INTAKE INNER	1	
3	03542-05169	.SCREW	4	
4	61622-90L00	.SEAL, RECOIL STARTER	1	
5	61443-99J00	STRIPE, ENGINE COVER STBD	1	
6	61453-99J00	STRIPE, ENGINE COVER PORT	1	
7	68111-89L00	EMBLEM (S)	1	
8	61435-89L00	MARK, EMBLEM REAR (20)	1	
9	61446-89L00	DECAL, EFI	1	
10	61458-89L00	LABEL, ENGINE COVER	1	
11	61471-89L00	DECAL, LEAN BURN	1	
12	59800-89L00	TOOL ASSY	1	
13	99011-89L10-055	MANUAL, OWNER'S	1	
14	68110-89L00	COVER, WEATHER	1	OPT

FIG.188

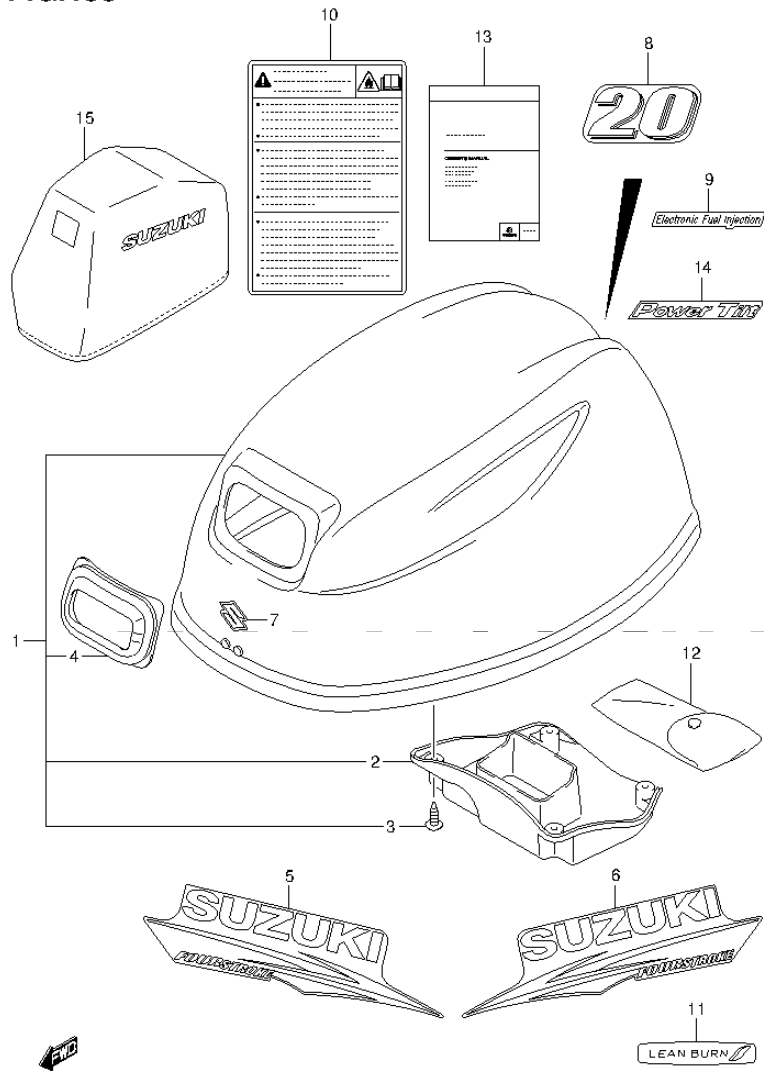


FIG.188 (2-E-10) ENGINE COVER (DF20AT P01)

REF NO.	PART NO.	DESCRIPTION	Q'TY	REMARKS
1	61400-89L00-0EP	COVER ASSY, ENGINE (BLACK)	1	
2	61433-89L00	.COVER, AIR INTAKE INNER	1	
3	03542-05169	.SCREW	4	
4	61622-90L00	.SEAL, RECOIL STARTER	1	
5	61443-99J00	STRIPE, ENGINE COVER STBD	1	
6	61453-99J00	STRIPE, ENGINE COVER PORT	1	
7	68111-89L00	EMBLEM (S)	1	
8	61435-89L00	MARK, EMBLEM REAR (20)	1	
9	61446-89L00	DECAL, EFI	1	
10	61458-89L00	LABEL, ENGINE COVER	1	
11	61471-89L00	DECAL, LEAN BURN	1	
12	59800-89L00	TOOL ASSY	1	
13	99011-89L10-055	MANUAL, OWNER'S	1	
14	61447-94J00	MARK, EMBLEM POWER TILT	1	
15	68110-89L00	COVER, WEATHER	1	OPT

FIG.189

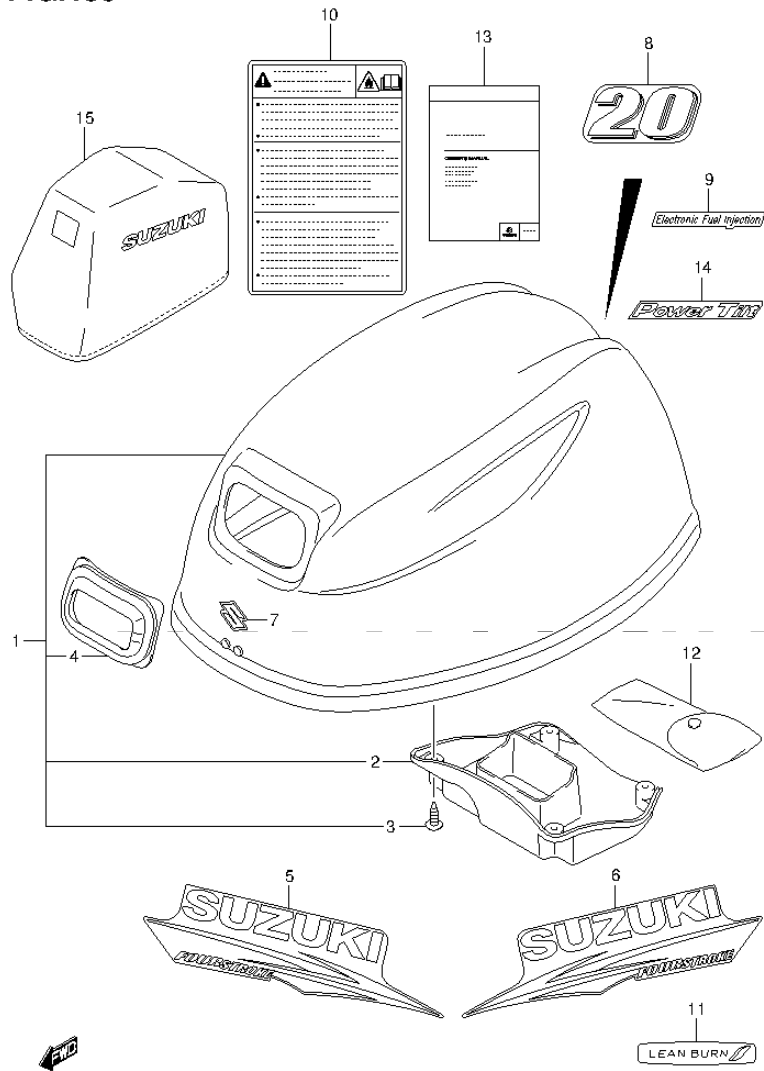
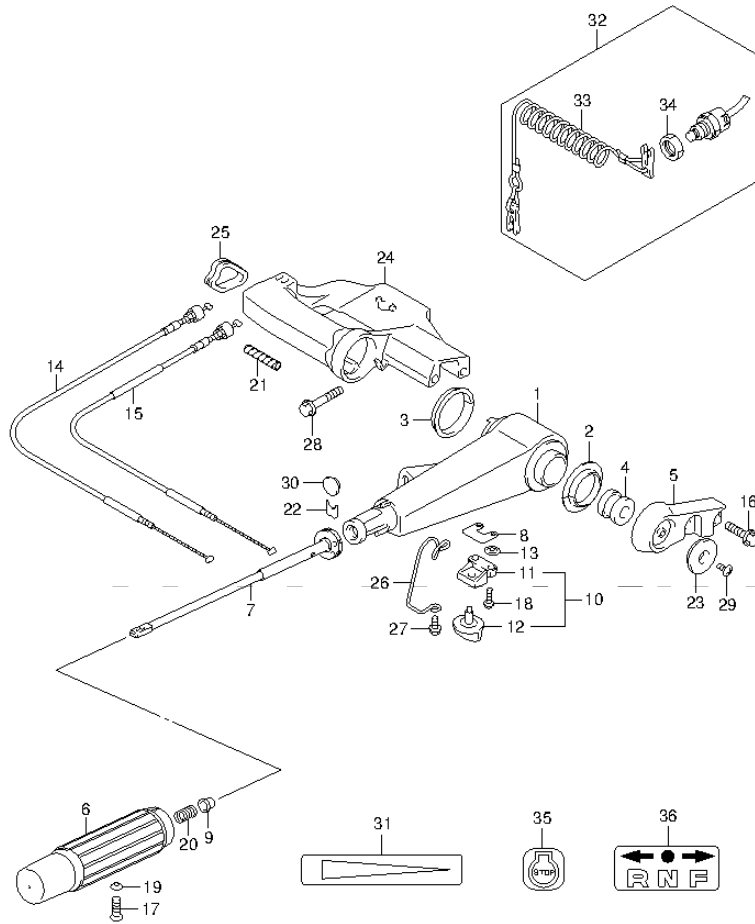


FIG.189 (2-E-11) ENGINE COVER (DF20ATH P01)

REF NO.	PART NO.	DESCRIPTION	Q'TY	REMARKS
1	61400-89L00-OEP	COVER ASSY, ENGINE (BLACK)	1	
2	61433-89L00	.COVER, AIR INTAKE INNER	1	
3	03542-05169	.SCREW	4	
4	61622-90L00	.SEAL, RECOIL STARTER	1	
5	61443-99J00	STRIPE, ENGINE COVER STBD	1	
6	61453-99J00	STRIPE, ENGINE COVER PORT	1	
7	68111-89L00	EMBLEM (S)	1	
8	61435-89L00	MARK, EMBLEM REAR (20)	1	
9	61446-89L00	DECAL, EFI	1	
10	61458-89L00	LABEL, ENGINE COVER	1	
11	61471-89L00	DECAL, LEAN BURN	1	
12	59800-89L00	TOOL ASSY	1	
13	99011-89L10-055	MANUAL, OWNER'S	1	
14	61447-94J00	MARK, EMBLEM POWER TILT	1	
15	68110-89L00	COVER, WEATHER	1	OPT

FIG.190

FIG.190 (2-E-12) TILLER HANDLE (DF9.9B P01)



REF NO.	PART NO.	DESCRIPTION	Q'TY	REMARKS
1	63111-89L00-0EP	HANDLE, TILLER (BLACK)	1	
2	63115-99J10	BUSH, TILLER HANDLE NO.1	1	
3	63115-99J00	BUSH, TILLER HANDLE NO.2	1	
4	63116-99J00	RUBBER, FRICTION	1	
5	63121-99J00-0EP	COVER, TILLER HANDLE (BLACK)	1	
6	63210-89L10	GRIP, HANDLE	1	
7	63220-89L00	ROD, HANDLE	1	
8	63225-94J00	PLATE, HANDLE ROD ADJUSTER	1	
9	63225-93200	BUSH, HANDLE ROD	1	
10	63240-94J10	ADJUSTER SET, HANDLE	1	
11	63241-986B0	.SUPPORT, ROD	1	
12	63244-94J00	.KNOB, ADJUSTER	1	
13	09148-06008	NUT	1	
14	63610-89L00	CABLE ASSY, THROTTLE	1	
15	63610-89L10	CABLE ASSY, THROTTLE	1	
16	09116-08151	BOLT (8X30)	2	
17	09126-06015	SCREW (6X23)	1	
18	09136-05041	SCREW (5X20)	2	
19	09163-06001	LOCK WASHER	1	
20	09440-12027	SPRING	1	
21	33833-91J00	TUBE, THROTTLE CABLE	1	L:250->50
22	63114-99J01	PLATE, WARNING INDICATOR	1	
23	63122-99J00	PROTECTOR, HANDLE COVER	1	
24	63131-99J10-0EP	BRACKET, TILLER HANDLE (BLACK)	1	
25	63133-89L00	GROMMET, TILLER HANDLE BRACKET	1	
26	65793-89L00	HOLDER, FUEL HOSE	1	
27	09116-06225	BOLT (6X15)	1	
28	09116-08155	BOLT (8X45)	2	
29	09125-05042	SCREW (5X10)	1	
30	09250-12006	CAP (OD:20)	1	
31	63215-93110	MARK, HANDLE GRIP	1	

FIG.190

FIG.190 (2-E-13) TILLER HANDLE (DF9.9B P01)

REF NO.	PART NO.	DESCRIPTION	Q'TY	REMARKS
32	37830-89L00	SWITCH ASSY, EMERGENCY	1	
33	37823-97J00	.PLATE, LOCK	1	
34	37826-97J00	.NUT	1	
35	37835-95D00	LABEL, STOP	1	
36	21131-94J00	MARK, CLUTCH SHIFT	1	

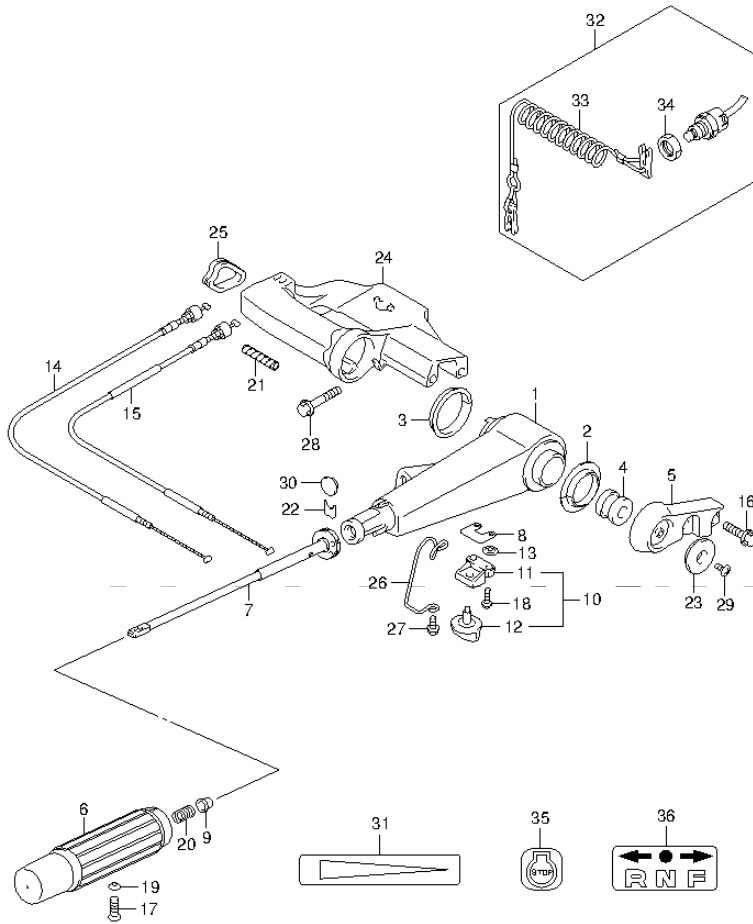


FIG.191

FIG.191 (2-E-14) TILLER HANDLE (DF15A P01)

REF NO.	PART NO.	DESCRIPTION	Q'TY	REMARKS
1	63111-89L00-0EP	HANDLE, TILLER (BLACK)	1	
2	63115-99J10	BUSH, TILLER HANDLE NO.1	1	
3	63115-99J00	BUSH, TILLER HANDLE NO.2	1	
4	63116-99J00	RUBBER, FRICTION	1	
5	63121-99J00-0EP	COVER, TILLER HANDLE (BLACK)	1	
6	63210-89L10	GRIP, HANDLE	1	
7	63220-89L00	ROD, HANDLE	1	
8	63225-94J00	PLATE, HANDLE ROD ADJUSTER	1	
9	63225-93200	BUSH, HANDLE ROD	1	
10	63240-94J10	ADJUSTER SET, HANDLE	1	
11	63241-986B0	.SUPPORT, ROD	1	
12	63244-94J00	.KNOB, ADJUSTER	1	
13	09148-06008	NUT	1	
14	63610-89L00	CABLE ASSY, THROTTLE	1	
15	63610-89L10	CABLE ASSY, THROTTLE	1	
16	09116-08151	BOLT (8X30)	2	
17	09126-06015	SCREW (6X23)	1	
18	09136-05041	SCREW (5X20)	2	
19	09163-06001	LOCK WASHER	1	
20	09440-12027	SPRING	1	
21	33833-91J00	TUBE, THROTTLE CABLE	1	L:250->50
22	63114-99J01	PLATE, WARNING INDICATOR	1	
23	63122-99J00	PROTECTOR, HANDLE COVER	1	
24	63131-99J10-0EP	BRACKET, TILLER HANDLE (BLACK)	1	
25	63133-89L00	GROMMET, TILLER HANDLE BRACKET	1	
26	65793-89L00	HOLDER, FUEL HOSE	1	
27	09116-06225	BOLT (6X15)	1	
28	09116-08155	BOLT (8X45)	2	
29	09125-05042	SCREW (5X10)	1	
30	09250-12006	CAP (OD:20)	1	
31	63215-93110	MARK, HANDLE GRIP	1	

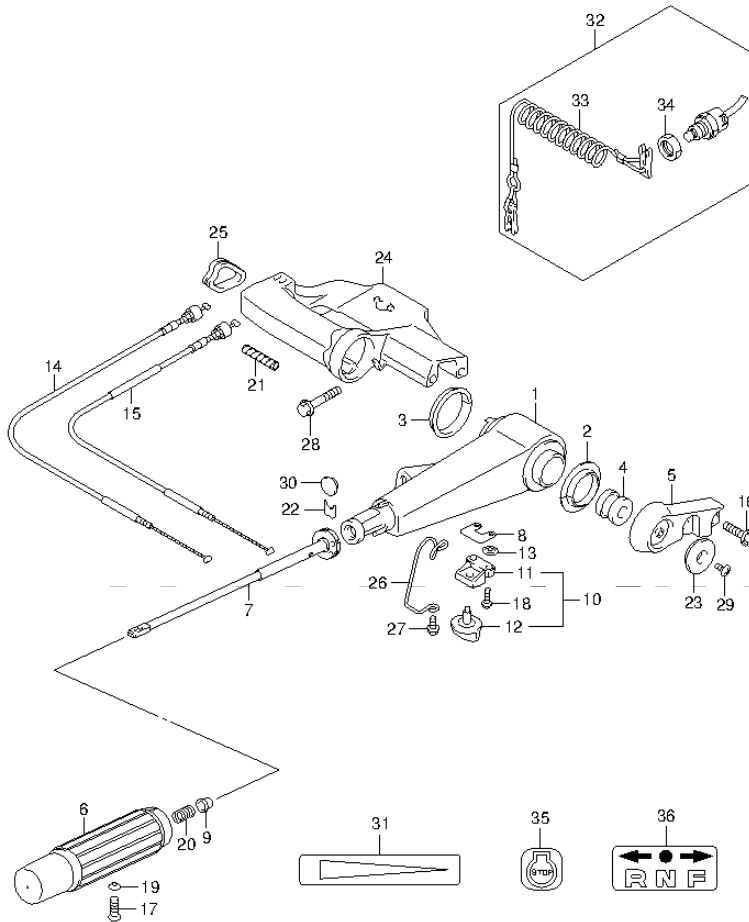


FIG.191

FIG.191 (2-E-15) TILLER HANDLE (DF15A P01)

REF NO.	PART NO.	DESCRIPTION	Q'TY	REMARKS
32	37830-89L00	SWITCH ASSY, EMERGENCY	1	
33	37823-97J00	.PLATE, LOCK	1	
34	37826-97J00	.NUT	1	
35	37835-95D00	LABEL, STOP	1	
36	21131-94J00	MARK, CLUTCH SHIFT	1	

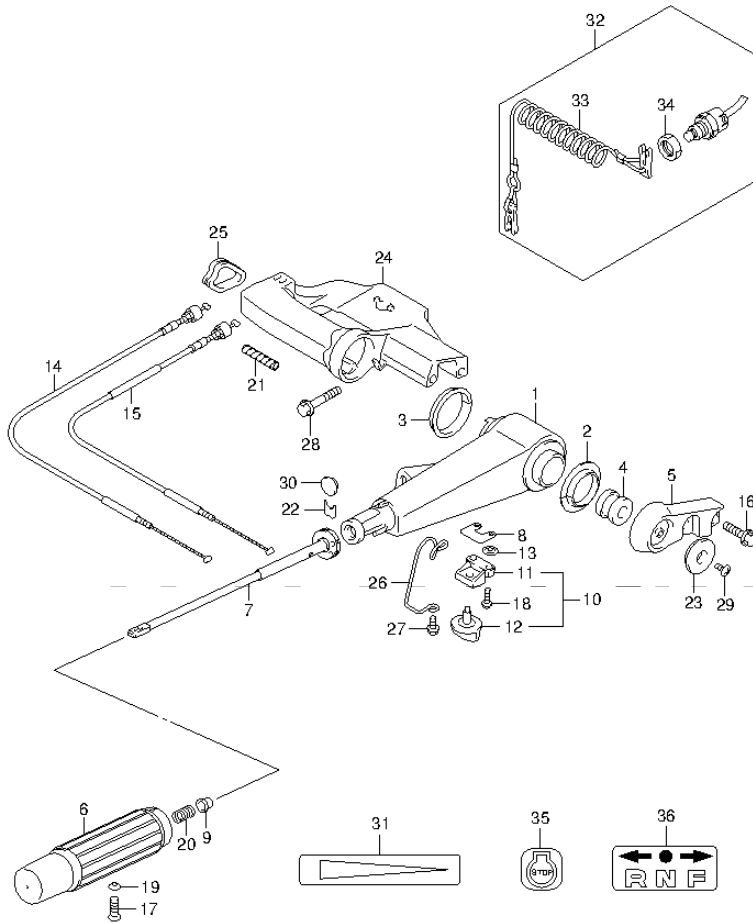
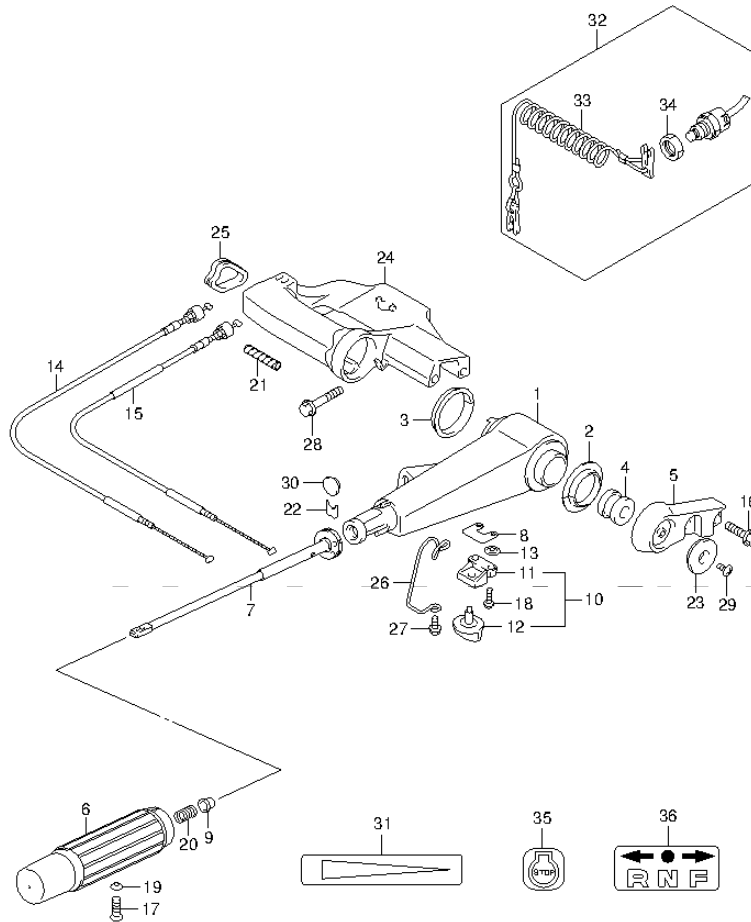


FIG.192

FIG.192 (2-F-2) TILLER HANDLE (DF15ATH P01)



REF NO.	PART NO.	DESCRIPTION	Q'TY	REMARKS
1	63111-89L00-0EP	HANDLE, TILLER (BLACK)	1	
2	63115-99J10	BUSH, TILLER HANDLE NO.1	1	
3	63115-99J00	BUSH, TILLER HANDLE NO.2	1	
4	63116-99J00	RUBBER, FRICTION	1	
5	63121-99J00-0EP	COVER, TILLER HANDLE (BLACK)	1	
6	63210-89L10	GRIP, HANDLE	1	
7	63220-89L00	ROD, HANDLE	1	
8	63225-94J00	PLATE, HANDLE ROD ADJUSTER	1	
9	63225-93200	BUSH, HANDLE ROD	1	
10	63240-94J10	ADJUSTER SET, HANDLE	1	
11	63241-986B0	.SUPPORT, ROD	1	
12	63244-94J00	.KNOB, ADJUSTER	1	
13	09148-06008	NUT	1	
14	63610-89L00	CABLE ASSY, THROTTLE	1	
15	63610-89L10	CABLE ASSY, THROTTLE	1	
16	09116-08151	BOLT (8X30)	2	
17	09126-06015	SCREW (6X23)	1	
18	09136-05041	SCREW (5X20)	2	
19	09163-06001	LOCK WASHER	1	
20	09440-12027	SPRING	1	
21	33833-91J00	TUBE, THROTTLE CABLE	1	L:250->50
22	63114-99J01	PLATE, WARNING INDICATOR	1	
23	63122-99J00	PROTECTOR, HANDLE COVER	1	
24	63131-99J10-0EP	BRACKET, TILLER HANDLE (BLACK)	1	
25	63133-89L00	GROMMET, TILLER HANDLE BRACKET	1	
26	65793-89L00	HOLDER, FUEL HOSE	1	
27	09116-06225	BOLT (6X15)	1	
28	09116-08155	BOLT (8X45)	2	
29	09125-05042	SCREW (5X10)	1	
30	09250-12006	CAP (OD:20)	1	
31	63215-93110	MARK, HANDLE GRIP	1	

FIG.192

FIG.192 (2-F-3) TILLER HANDLE (DF15ATH P01)

REF NO.	PART NO.	DESCRIPTION	Q'TY	REMARKS
32	37830-89L00	SWITCH ASSY, EMERGENCY	1	
33	37823-97J00	.PLATE, LOCK	1	
34	37826-97J00	.NUT	1	
35	37835-95D00	LABEL, STOP	1	
36	21131-94J00	MARK, CLUTCH SHIFT	1	

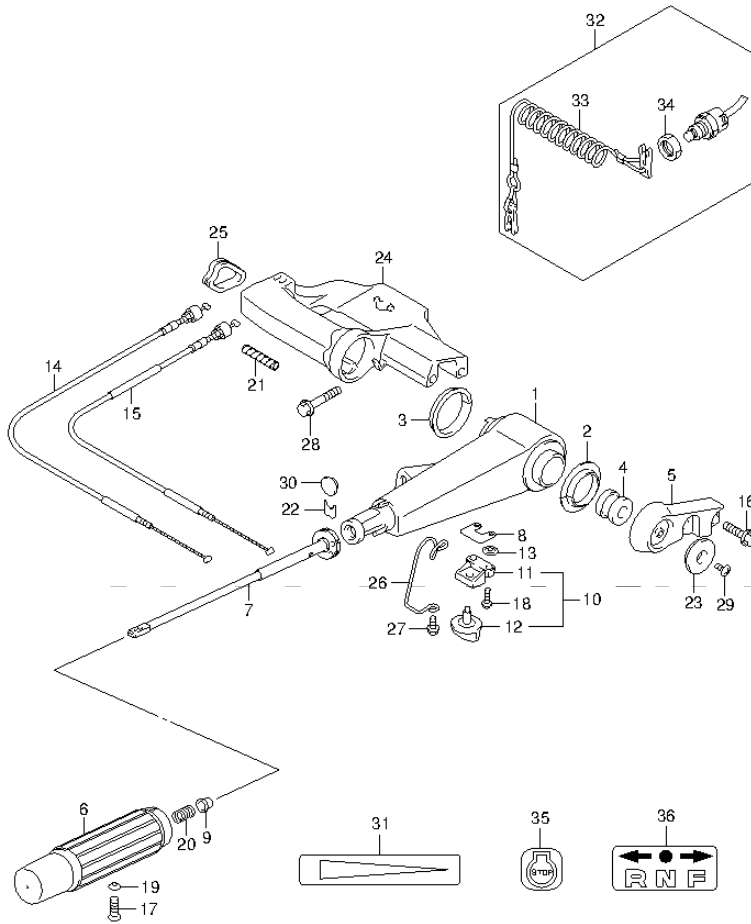
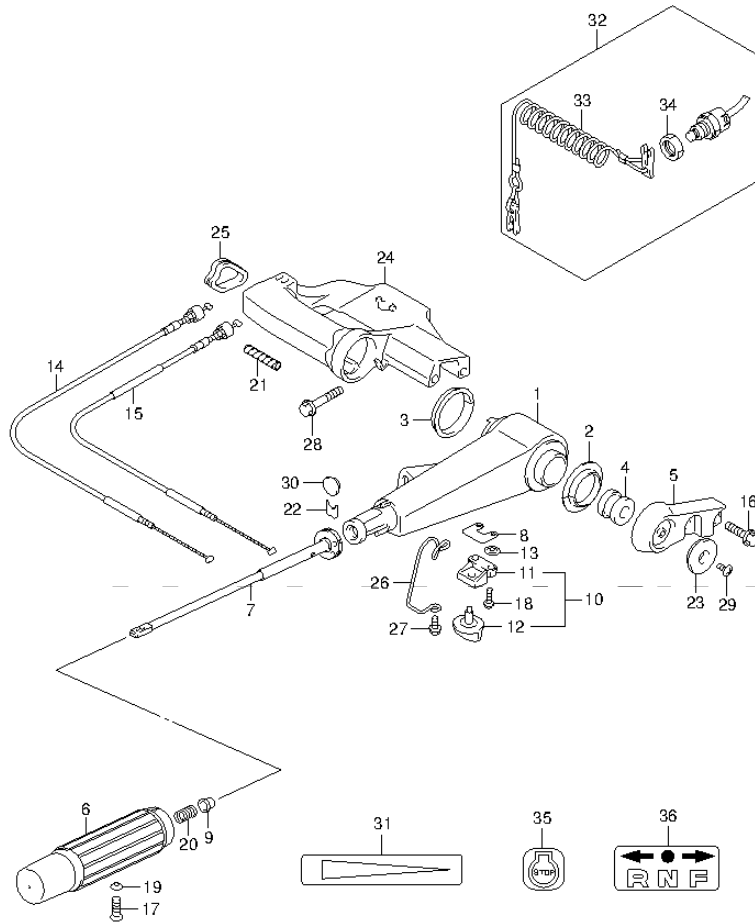


FIG.193

FIG.193 (2-F-4) TILLER HANDLE (DF20A P01)



REF NO.	PART NO.	DESCRIPTION	Q'TY	REMARKS
1	63111-89L00-0EP	HANDLE, TILLER (BLACK)	1	
2	63115-99J10	BUSH, TILLER HANDLE NO.1	1	
3	63115-99J00	BUSH, TILLER HANDLE NO.2	1	
4	63116-99J00	RUBBER, FRICTION	1	
5	63121-99J00-0EP	COVER, TILLER HANDLE (BLACK)	1	
6	63210-89L10	GRIP, HANDLE	1	
7	63220-89L00	ROD, HANDLE	1	
8	63225-94J00	PLATE, HANDLE ROD ADJUSTER	1	
9	63225-93200	BUSH, HANDLE ROD	1	
10	63240-94J10	ADJUSTER SET, HANDLE	1	
11	63241-986B0	.SUPPORT, ROD	1	
12	63244-94J00	.KNOB, ADJUSTER	1	
13	09148-06008	NUT	1	
14	63610-89L00	CABLE ASSY, THROTTLE	1	
15	63610-89L10	CABLE ASSY, THROTTLE	1	
16	09116-08151	BOLT (8X30)	2	
17	09126-06015	SCREW (6X23)	1	
18	09136-05041	SCREW (5X20)	2	
19	09163-06001	LOCK WASHER	1	
20	09440-12027	SPRING	1	
21	33833-91J00	TUBE, THROTTLE CABLE	1	L:250->50
22	63114-99J01	PLATE, WARNING INDICATOR	1	
23	63122-99J00	PROTECTOR, HANDLE COVER	1	
24	63131-99J10-0EP	BRACKET, TILLER HANDLE (BLACK)	1	
25	63133-89L00	GROMMET, TILLER HANDLE BRACKET	1	
26	65793-89L00	HOLDER, FUEL HOSE	1	
27	09116-06225	BOLT (6X15)	1	
28	09116-08155	BOLT (8X45)	2	
29	09125-05042	SCREW (5X10)	1	
30	09250-12006	CAP (OD:20)	1	
31	63215-93110	MARK, HANDLE GRIP	1	

FIG.193

FIG.193 (2-F-5) TILLER HANDLE (DF20A P01)

REF NO.	PART NO.	DESCRIPTION	Q'TY	REMARKS
32	37830-89L00	SWITCH ASSY, EMERGENCY	1	
33	37823-97J00	.PLATE, LOCK	1	
34	37826-97J00	.NUT	1	
35	37835-95D00	LABEL, STOP	1	
36	21131-94J00	MARK, CLUTCH SHIFT	1	

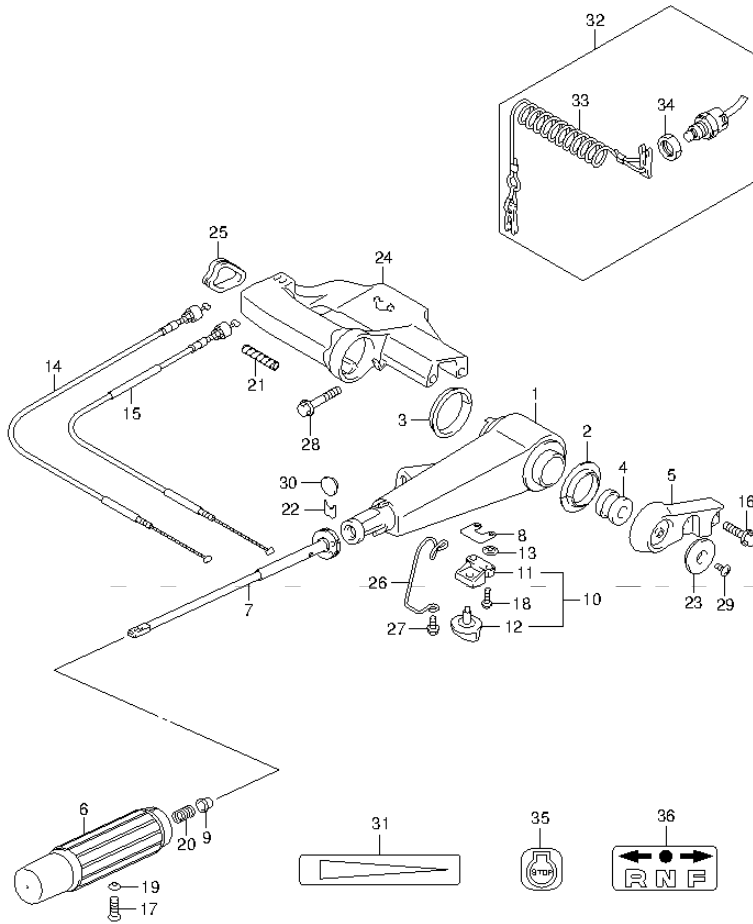
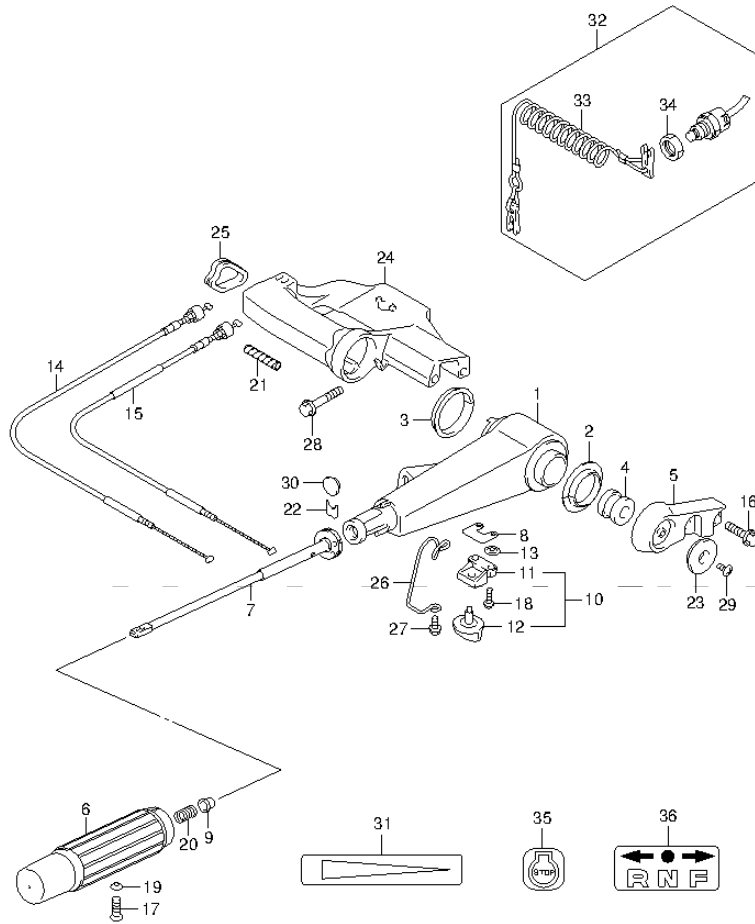


FIG.194

FIG.194 (2-F-6) TILLER HANDLE (DF20A P40)



REF NO.	PART NO.	DESCRIPTION	Q'TY	REMARKS
1	63111-89L00-0EP	HANDLE, TILLER (BLACK)	1	
2	63115-99J10	BUSH, TILLER HANDLE NO.1	1	
3	63115-99J00	BUSH, TILLER HANDLE NO.2	1	
4	63116-99J00	RUBBER, FRICTION	1	
5	63121-99J00-0EP	COVER, TILLER HANDLE (BLACK)	1	
6	63210-89L10	GRIP, HANDLE	1	
7	63220-89L00	ROD, HANDLE	1	
8	63225-94J00	PLATE, HANDLE ROD ADJUSTER	1	
9	63225-93200	BUSH, HANDLE ROD	1	
10	63240-94J10	ADJUSTER SET, HANDLE	1	
11	63241-986B0	.SUPPORT, ROD	1	
12	63244-94J00	.KNOB, ADJUSTER	1	
13	09148-06008	NUT	1	
14	63610-89L00	CABLE ASSY, THROTTLE	1	
15	63610-89L10	CABLE ASSY, THROTTLE	1	
16	09116-08151	BOLT (8X30)	2	
17	09126-06015	SCREW (6X23)	1	
18	09136-05041	SCREW (5X20)	2	
19	09163-06001	LOCK WASHER	1	
20	09440-12027	SPRING	1	
21	33833-91J00	TUBE, THROTTLE CABLE	1	L:250->50
22	63114-99J01	PLATE, WARNING INDICATOR	1	
23	63122-99J00	PROTECTOR, HANDLE COVER	1	
24	63131-99J10-0EP	BRACKET, TILLER HANDLE (BLACK)	1	
25	63133-89L00	GROMMET, TILLER HANDLE BRACKET	1	
26	65793-89L00	HOLDER, FUEL HOSE	1	
27	09116-06225	BOLT (6X15)	1	
28	09116-08155	BOLT (8X45)	2	
29	09125-05042	SCREW (5X10)	1	
30	09250-12006	CAP (OD:20)	1	
31	63215-93110	MARK, HANDLE GRIP	1	

FIG.194

FIG.194 (2-F-7) TILLER HANDLE (DF20A P40)

REF NO.	PART NO.	DESCRIPTION	Q'TY	REMARKS
32	37830-89L00	SWITCH ASSY, EMERGENCY	1	
33	37823-97J00	.PLATE, LOCK	1	
34	37826-97J00	.NUT	1	
35	37835-95D00	LABEL, STOP	1	
36	21131-94J00	MARK, CLUTCH SHIFT	1	

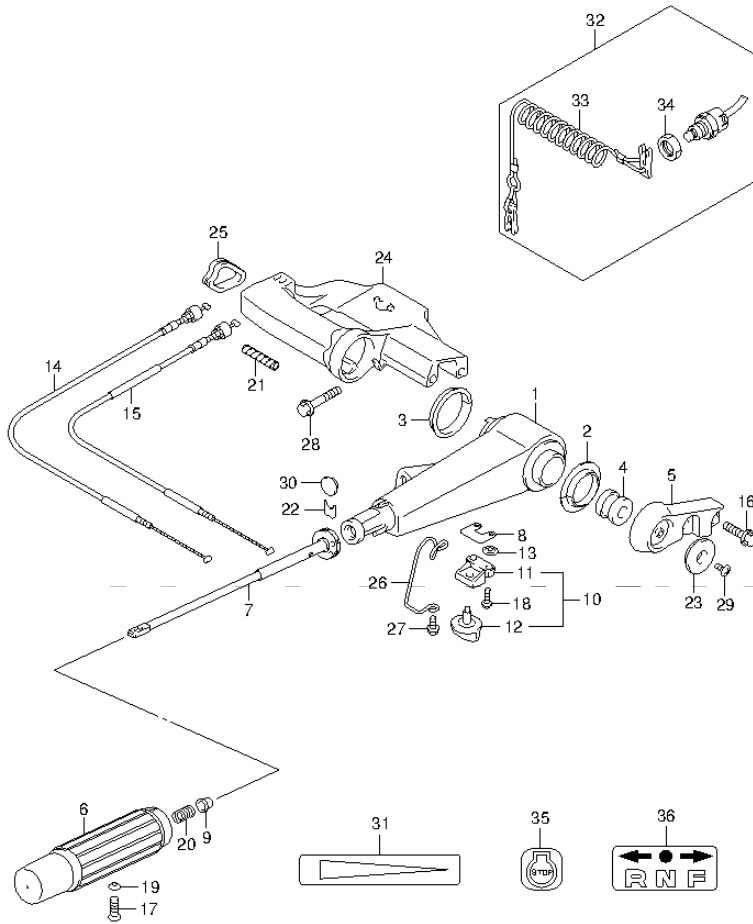
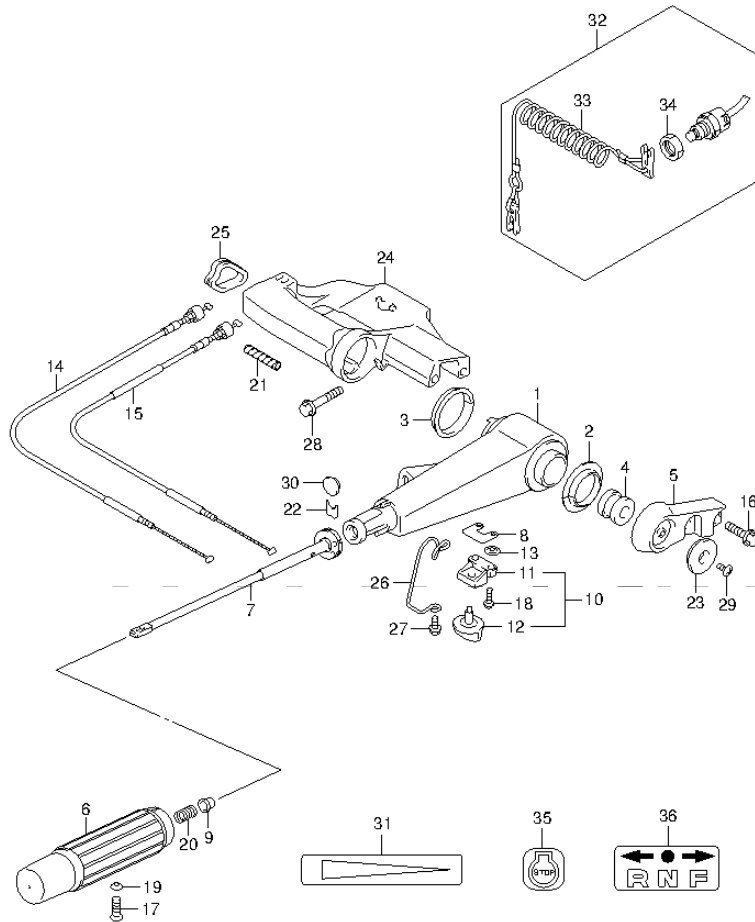


FIG.195

FIG.195 (2-F-8) TILLER HANDLE (DF20ATH P01)



REF NO.	PART NO.	DESCRIPTION	Q'TY	REMARKS
1	63111-89L00-0EP	HANDLE, TILLER (BLACK)	1	
2	63115-99J10	BUSH, TILLER HANDLE NO.1	1	
3	63115-99J00	BUSH, TILLER HANDLE NO.2	1	
4	63116-99J00	RUBBER, FRICTION	1	
5	63121-99J00-0EP	COVER, TILLER HANDLE (BLACK)	1	
6	63210-89L10	GRIP, HANDLE	1	
7	63220-89L00	ROD, HANDLE	1	
8	63225-94J00	PLATE, HANDLE ROD ADJUSTER	1	
9	63225-93200	BUSH, HANDLE ROD	1	
10	63240-94J10	ADJUSTER SET, HANDLE	1	
11	63241-986B0	.SUPPORT, ROD	1	
12	63244-94J00	.KNOB, ADJUSTER	1	
13	09148-06008	NUT	1	
14	63610-89L00	CABLE ASSY, THROTTLE	1	
15	63610-89L10	CABLE ASSY, THROTTLE	1	
16	09116-08151	BOLT (8X30)	2	
17	09126-06015	SCREW (6X23)	1	
18	09136-05041	SCREW (5X20)	2	
19	09163-06001	LOCK WASHER	1	
20	09440-12027	SPRING	1	
21	33833-91J00	TUBE, THROTTLE CABLE	1	L:250->50
22	63114-99J01	PLATE, WARNING INDICATOR	1	
23	63122-99J00	PROTECTOR, HANDLE COVER	1	
24	63131-99J10-0EP	BRACKET, TILLER HANDLE (BLACK)	1	
25	63133-89L00	GROMMET, TILLER HANDLE BRACKET	1	
26	65793-89L00	HOLDER, FUEL HOSE	1	
27	09116-06225	BOLT (6X15)	1	
28	09116-08155	BOLT (8X45)	2	
29	09125-05042	SCREW (5X10)	1	
30	09250-12006	CAP (OD:20)	1	
31	63215-93110	MARK, HANDLE GRIP	1	

FIG.195

FIG.195 (2-F-9) TILLER HANDLE (DF20ATH P01)

REF NO.	PART NO.	DESCRIPTION	Q'TY	REMARKS
32	37830-89L00	SWITCH ASSY, EMERGENCY	1	
33	37823-97J00	.PLATE, LOCK	1	
34	37826-97J00	.NUT	1	
35	37835-95D00	LABEL, STOP	1	
36	21131-94J00	MARK, CLUTCH SHIFT	1	

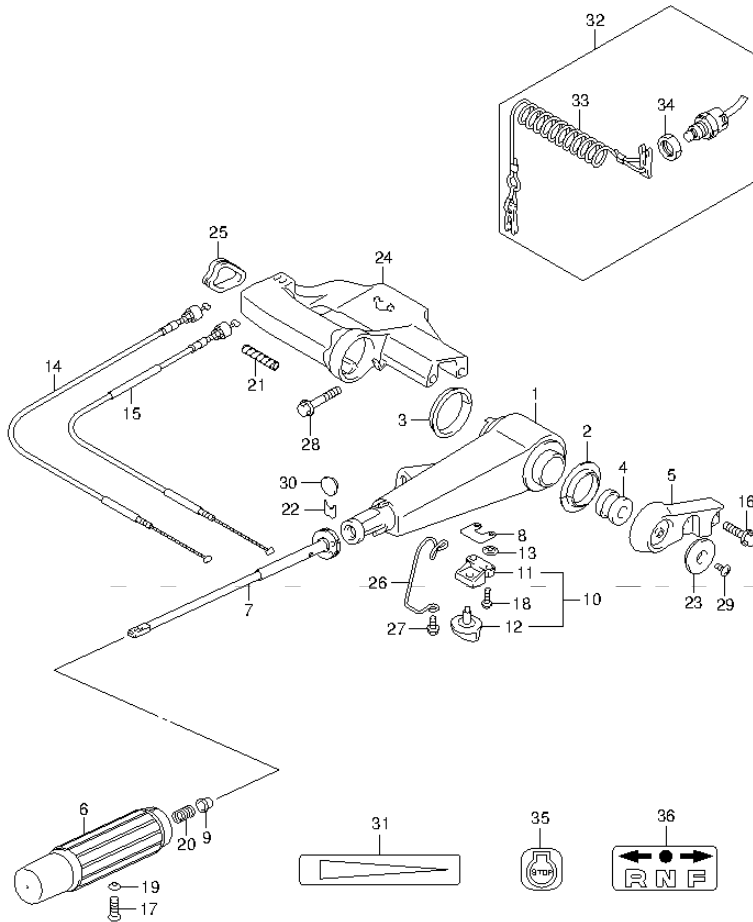


FIG.196

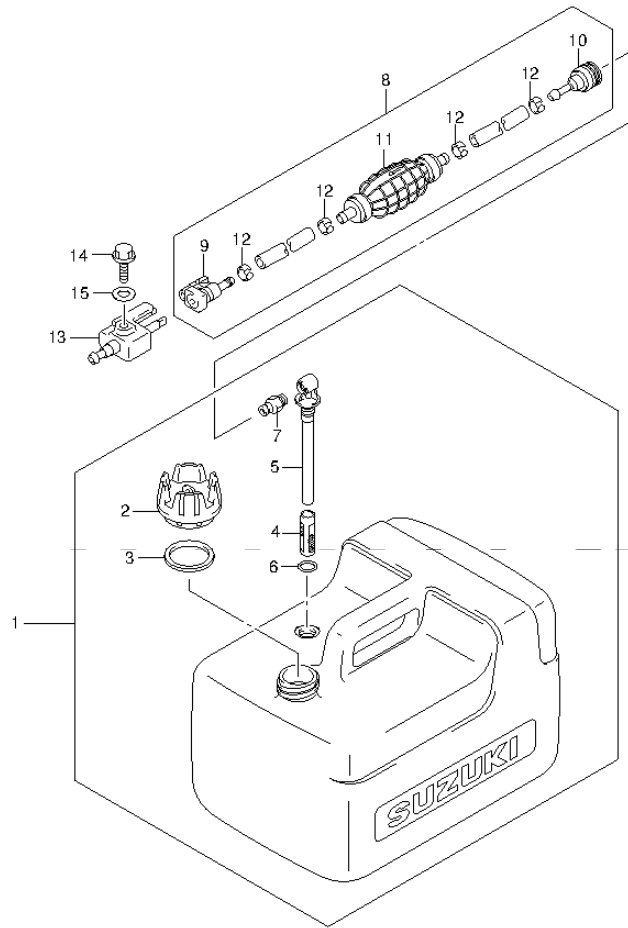


FIG.196 (2-F-10) FUEL TANK

REF NO.	PART NO.	DESCRIPTION	Q'TY	REMARKS
1	65000-89L10	TANK ASSY, FUEL (12L)	1	
2	65520-99100	.CAP ASSY, FUEL TANK	1	
3	65561-95D00	.GASKET, TANK CAP	1	
4	65831-95D00	.FILTER, OUTLET	1	
5	65890-99100	.OUTLET	1	
6	65892-95D00	.O RING	1	
7	65740-95D01	.PLUG, FUEL CONNECTOR	1	
8	65700-89L10	HOSE, FUEL	1	
9	65750-87J11	.SOCKET, FUEL HOSE	1	
10	65750-95500	.SOCKET, FUEL HOSE	1	
11	65770-89L00	.PUMP, SQUEEZE	1	
12	65781-99JM0	.CLIP	4	
13	65720-986L0	PLUG, FUEL CONNECTOR	1	
14	09103-06237	BOLT (6X12.5)	1	
15	09160-06085	WASHER (6.5X15X1)	1	

FIG.197

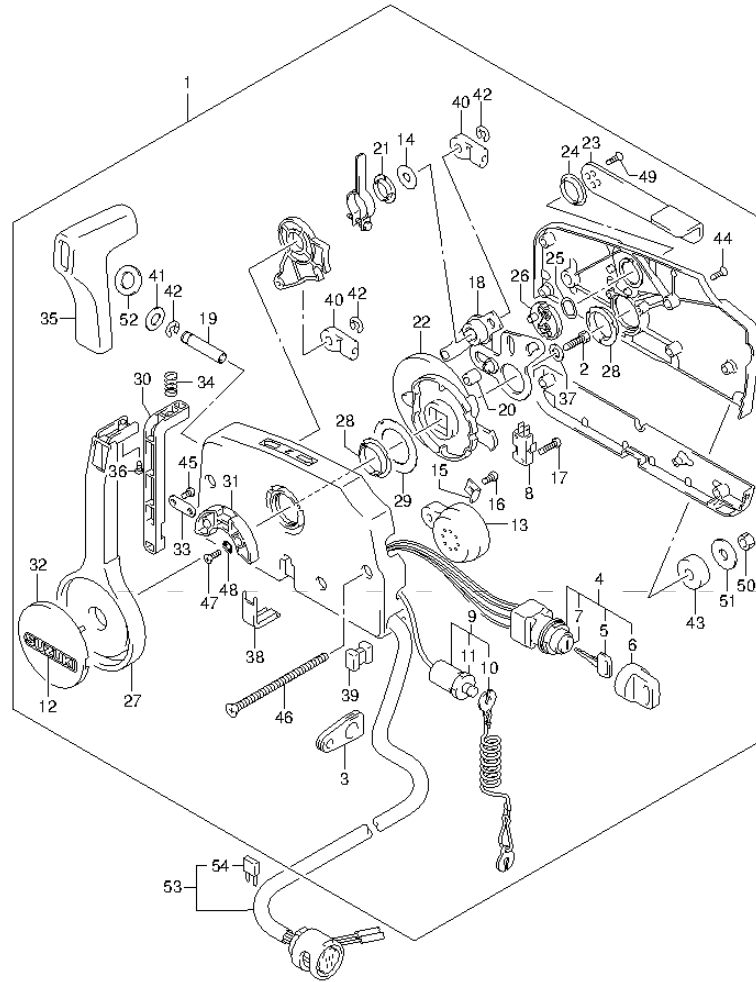


FIG.197 (2-F-11) REMOTE CONTROL (DF9.9BR P01)

REF NO.	PART NO.	DESCRIPTION	Q'TY	REMARKS
1	67200-94J15	REMOTE CONTROL ASSY	1	
2	09100-08232	.BOLT (8X30)	1	
3	36628-92E00	.GROMMET, WIRE HARNESS	1	
4	37110-94J02	.SWITCH ASSY, IGNITION	1	
5-1	37141-99E00	..KEY (931)	2	
5-2	37141-99E10	..KEY (932)	2	
5-3	37141-99E20	..KEY (933)	2	
5-4	37141-99E30	..KEY (934)	2	
5-5	37141-99E40	..KEY (935)	2	
5-6	37141-99E50	..KEY (936)	2	
5-7	37141-99E60	..KEY (937)	2	
5-8	37141-99E70	..KEY (938)	2	
5-9	37141-99E80	..KEY (939)	2	
5-10	37141-99E90	..KEY (940)	2	
5-11	37141-99EA0	..KEY (941)	2	
5-12	37141-99EB0	..KEY (942)	2	
6	37143-99E00	..CAP, KEY	2	
7	37149-93J00	..CAP, CYLINDER BODY	1	
8	37721-93J91	.SWITCH, NEUTRAL	1	
9	37820-93J03	.SWITCH ASSY, EMERGENCY	1	
10	37823-92E01	..PLATE	1	
11	37826-92E00	..NUT	1	
12	68165-16B00-13L	.EMBLEM, SUZUKI (SILVER)	1	
13	38500-93J00	.BUZZER	1	
14	67212-95600	.WASHER	1	
15	67213-92E00	.BRACKET, BUZZER	1	
16	09125-05042	.SCREW (5X10)	1	
17	67296-92E11	.SCREW, NEUTRAL SW	2	
18	67220-95630	.PLATE ASSY	1	
19	67223-99E10	.KNOB, BRAKE ADJUST	1	
20	67229-95600	.ROLLER	1	
21	67232-95600	.BUSH	1	
22	67238-87D00	.GEAR, DRIVE	1	
23	67241-99E10	.LEVER, FREE THROTTLE	1	

FIG.197

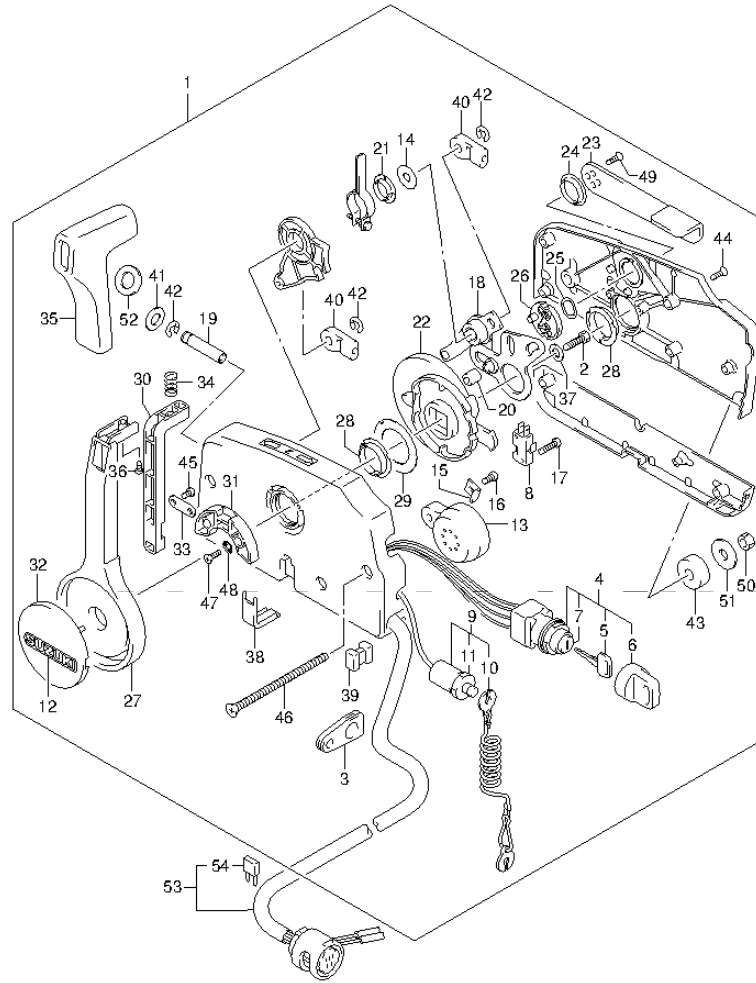


FIG.197 (2-F-12) REMOTE CONTROL (DF9.9BR P01)

REF NO.	PART NO.	DESCRIPTION	Q'TY	REMARKS
24	67243-95600	.BUSH	1	
25	67244-95600	.WASHER, WAVE	1	
26	67245-95600	.DRUM, FREE THROTTLE	1	
27	67251-99E10	.LEVER, HANDLE	1	
28	67252-95600	.BUSH	2	
29	67253-95600	.WASHER	1	
30	67255-99E00	.ARM, LOCK	1	
31	67256-95600	.HOLDER, NEUT LOCK	1	
32	67257-99E00	.CAP, LEVER	1	
33	67258-99E00	.BRACKET, LOCK ARM	1	
34	67259-87D00	.SPRING, NEUTRAL ARM	1	
35	67261-99E00	.GRIP	1	
36	67296-94310	.SCREW	1	
37	67264-95600	.WASHER	1	
38	67267-93J00	.COVER, WIRE	1	
39	67273-95600	.SPACER	1	
40	67275-95600	.END, CABLE	2	
41	67288-92E00	.WASHER, BRAKE ADJ KNOB	1	
42	67292-94300	E RING	3	
43	67294-95600	.SPACER	3	
44	67296-90J00	.SCREW	5	
45	67296-94300	.SCREW	2	
46	67296-95600	.SCREW	3	
47	67296-95610	.SCREW	2	
48	67297-95600	.WASHER	2	
49	09126-05003	.SCREW (5X12)	2	
50	09140-06020	.NUT	3	
51	09160-06104	.WASHER (6.5X24X2)	3	
52	37859-90J00	.SPACER	1	
53	36620-94J01	WIRE ASSY, REMOTE CONTROL	1	
54	09481-10501	.FUSE (10A)	1	

FIG.198

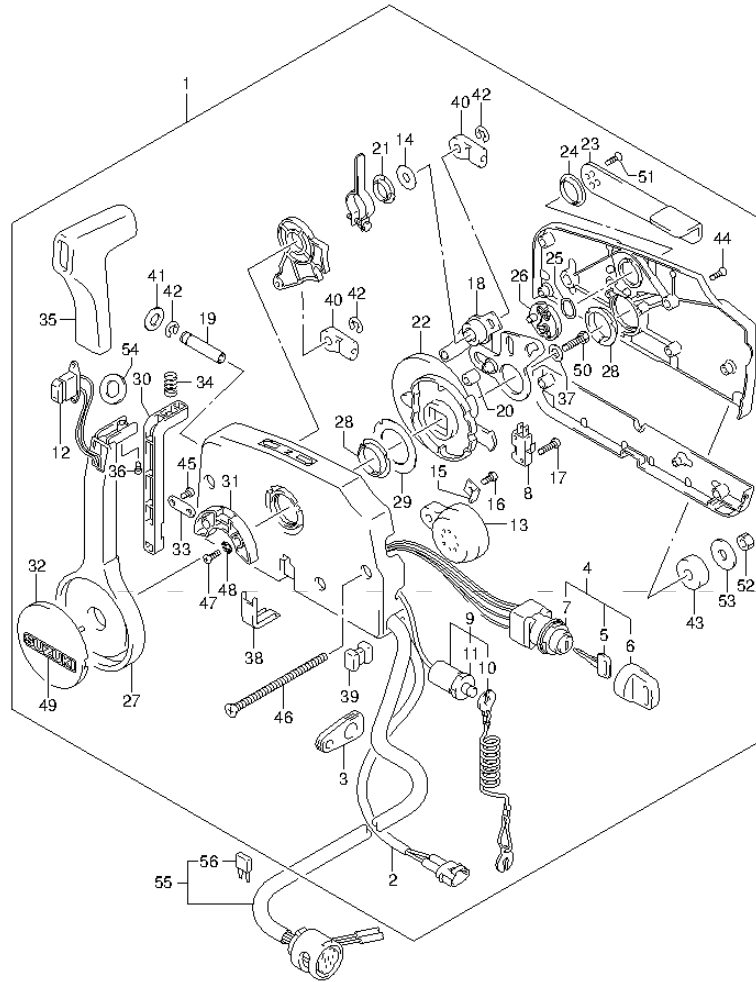


FIG.198 (2-F-13) REMOTE CONTROL (DF9.9BT P01)

REF NO.	PART NO.	DESCRIPTION	Q'TY	REMARKS
1	67200-93J06	REMOTE CONTROL ASSY	1	
2	36646-93J01	..WIRE ASSY, PTT SW ADAPTER	1	
3	36628-92E00	..GROMMET, WIRE HARNESS	1	
4	37110-93J11	..SWITCH ASSY, IGNITION	1	
5-1	37141-99E00	..KEY (931)	2	
5-2	37141-99E10	..KEY (932)	2	
5-3	37141-99E20	..KEY (933)	2	
5-4	37141-99E30	..KEY (934)	2	
5-5	37141-99E40	..KEY (935)	2	
5-6	37141-99E50	..KEY (936)	2	
5-7	37141-99E60	..KEY (937)	2	
5-8	37141-99E70	..KEY (938)	2	
5-9	37141-99E80	..KEY (939)	2	
5-10	37141-99E90	..KEY (940)	2	
5-11	37141-99EA0	..KEY (941)	2	
5-12	37141-99EB0	..KEY (942)	2	
6	37143-99E00	..CAP, KEY	2	
7	37149-93J00	..CAP CYLINDER BODY	1	
8	37721-93J91	..SWITCH, NEUTRAL	1	
9	37820-93J03	..SWITCH ASSY, EMERGENCY	1	
10	37823-92E01	..PLATE	1	
11	37826-92E00	..NUT	1	
12	37850-90J05	..SWITCH ASSY, PTT	1	
13	38500-93J90	..BUZZER	1	
14	67212-95600	..WASHER	1	
15	67213-92E00	..BRACKET, BUZZER	1	
16	09125-05042	..SCREW (5X10)	1	
17	67296-92E11	..SCREW, NEUTRAL SW	2	
18	67220-95630	..PLATE ASSY	1	
19	67223-99E10	..KNOB, BRAKE ADJ	1	
20	67229-95600	..ROLLER	1	
21	67232-95600	..BUSH	1	
22	67238-87D00	..GEAR, DRIVE	1	
23	67241-99E10	..LEVER, FREE THROTTLE	1	

FIG.198

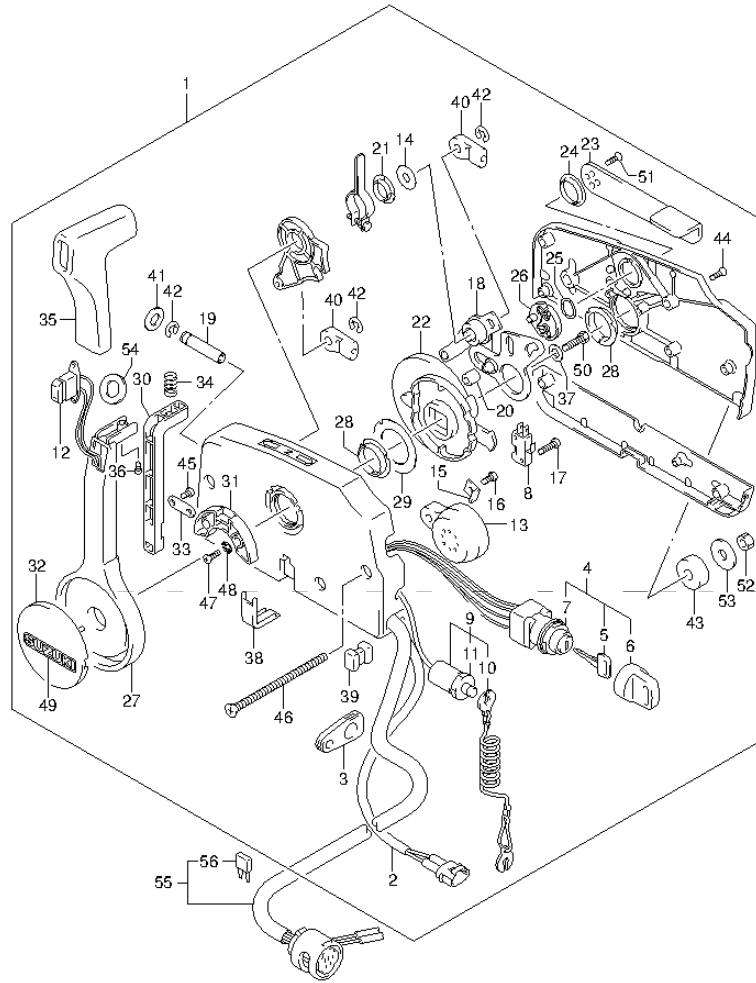


FIG.198 (2-F-14) REMOTE CONTROL (DF9.9BT P01)

REF NO.	PART NO.	DESCRIPTION	Q'TY	REMARKS
24	67243-95600	.BUSH	1	
25	67244-95600	.WASHER, WAVE	1	
26	67245-95600	.DRUM, FREE THROTTLE	1	
27	67251-99E10	.LEVER, HANDLE	1	
28	67252-95600	.BUSH	2	
29	67253-95600	.WASHER	1	
30	67255-99E00	.ARM, LOCK	1	
31	67256-95600	.HOLDER, NEUT LOCK	1	
32	67257-99E00	.CAP, LEVER	1	
33	67258-99E00	.BRACKET, LOCK ARM	1	
34	67259-87D00	.SPRING, NEUTRAL ARM	1	
35	67261-99E00	.GRIP	1	
36	67296-94310	.SCREW	1	
37	67264-95600	.WASHER	1	
38	67267-93J00	.COVER, WIRE	1	
39	67273-95600	.SPACER	1	
40	67275-95600	.END, CABLE	2	
41	67288-92E00	.WASHER, BRAKE ADJ KNOB	1	
42	67292-94300	E RING	3	
43	67294-95600	.SPACER	3	
44	67296-90J00	.SCREW	5	
45	67296-94300	.SCREW	2	
46	67296-95600	.SCREW	3	
47	67296-95610	.SCREW	2	
48	67297-95600	.WASHER	2	
49	68165-16B00-13L	.EMBLEM (SILVER)	1	
50	09100-08232	.BOLT (8X30)	1	
51	09126-05003	.SCREW (5X12)	2	
52	09140-06020	.NUT	3	
53	09160-06104	.WASHER (6.5X24X2)	3	
54	37859-90J00	.SPACER	1	
55	36620-93J02	WIRE ASSY, REMOTE CONTROL	1	
56	09481-10501	.FUSE (10A)	1	

FIG.199

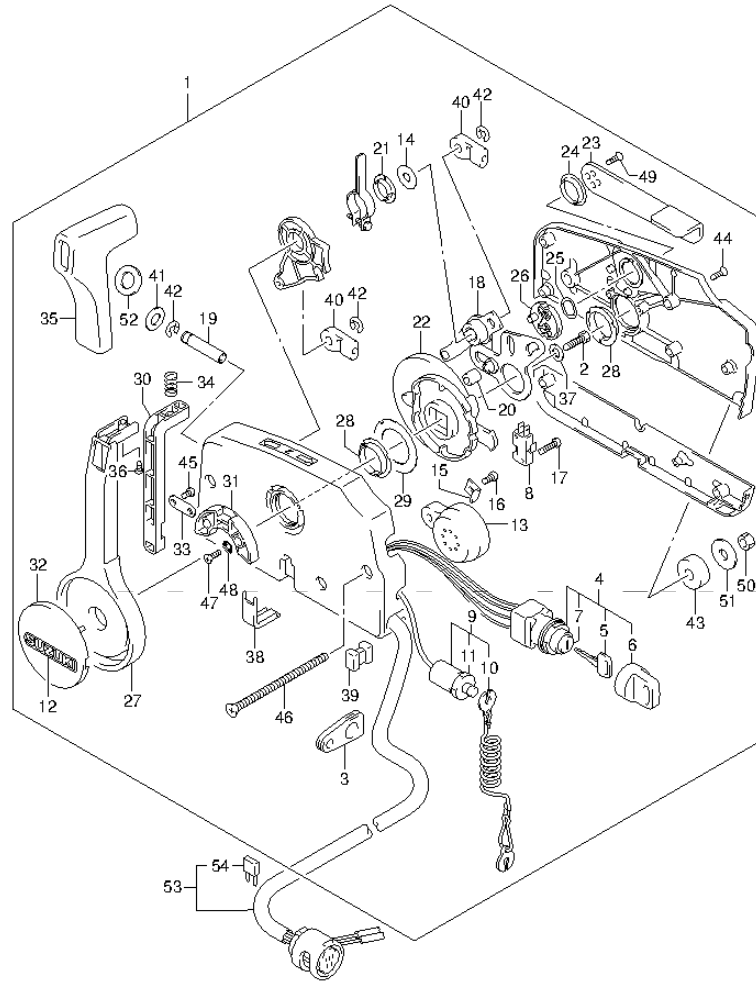


FIG.199 (2-F-15) REMOTE CONTROL (DF15AR P01)

REF NO.	PART NO.	DESCRIPTION	Q'TY	REMARKS
1	67200-94J15	REMOTE CONTROL ASSY	1	
2	09100-08232	.BOLT (8X30)	1	
3	36628-92E00	.GROMMET, WIRE HARNESS	1	
4	37110-94J02	.SWITCH ASSY, IGNITION	1	
5-1	37141-99E00	..KEY (931)	2	
5-2	37141-99E10	..KEY (932)	2	
5-3	37141-99E20	..KEY (933)	2	
5-4	37141-99E30	..KEY (934)	2	
5-5	37141-99E40	..KEY (935)	2	
5-6	37141-99E50	..KEY (936)	2	
5-7	37141-99E60	..KEY (937)	2	
5-8	37141-99E70	..KEY (938)	2	
5-9	37141-99E80	..KEY (939)	2	
5-10	37141-99E90	..KEY (940)	2	
5-11	37141-99EA0	..KEY (941)	2	
5-12	37141-99EB0	..KEY (942)	2	
6	37143-99E00	..CAP, KEY	2	
7	37149-93J00	..CAP, CYLINDER BODY	1	
8	37721-93J91	.SWITCH, NEUTRAL	1	
9	37820-93J03	.SWITCH ASSY, EMERGENCY	1	
10	37823-92E01	..PLATE	1	
11	37826-92E00	..NUT	1	
12	68165-16B00-13L	.EMBLEM, SUZUKI (SILVER)	1	
13	38500-93J00	.BUZZER	1	
14	67212-95600	.WASHER	1	
15	67213-92E00	.BRACKET, BUZZER	1	
16	09125-05042	.SCREW (5X10)	1	
17	67296-92E11	.SCREW, NEUTRAL SW	2	
18	67220-95630	.PLATE ASSY	1	
19	67223-99E10	.KNOB, BRAKE ADJUST	1	
20	67229-95600	.ROLLER	1	
21	67232-95600	.BUSH	1	
22	67238-87D00	.GEAR, DRIVE	1	
23	67241-99E10	.LEVER, FREE THROTTLE	1	

FIG.199

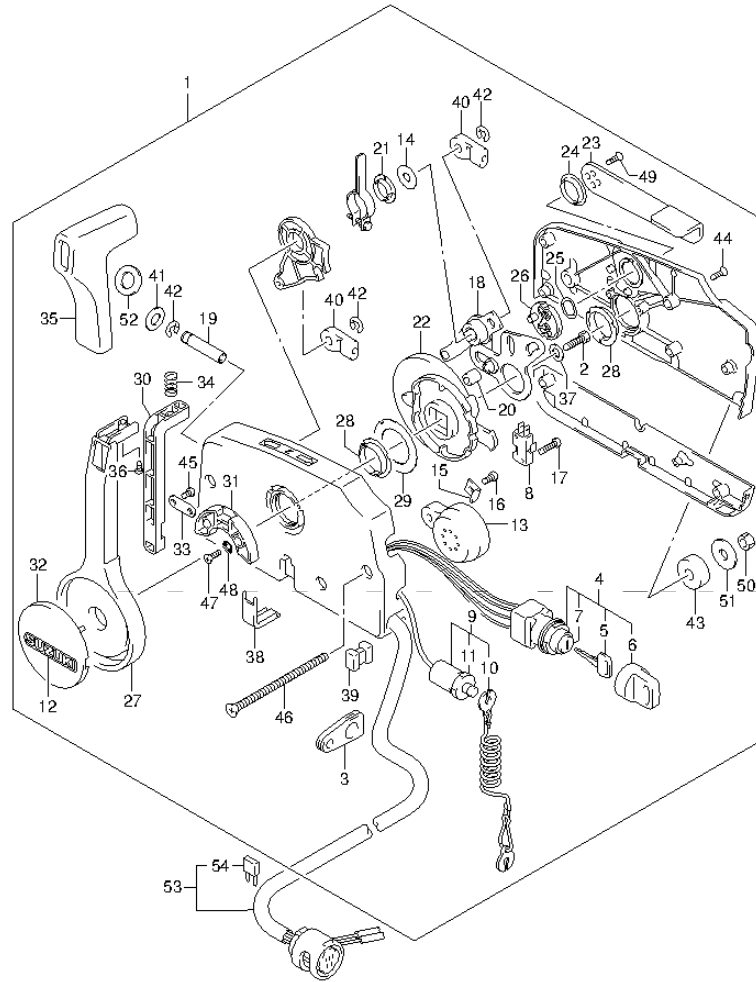


FIG.199 (2-G-2) REMOTE CONTROL (DF15AR P01)

REF NO.	PART NO.	DESCRIPTION	Q'TY	REMARKS
24	67243-95600	.BUSH	1	
25	67244-95600	.WASHER, WAVE	1	
26	67245-95600	.DRUM, FREE THROTTLE	1	
27	67251-99E10	.LEVER, HANDLE	1	
28	67252-95600	.BUSH	2	
29	67253-95600	.WASHER	1	
30	67255-99E00	.ARM, LOCK	1	
31	67256-95600	.HOLDER, NEUT LOCK	1	
32	67257-99E00	.CAP, LEVER	1	
33	67258-99E00	.BRACKET, LOCK ARM	1	
34	67259-87D00	.SPRING, NEUTRAL ARM	1	
35	67261-99E00	.GRIP	1	
36	67296-94310	.SCREW	1	
37	67264-95600	.WASHER	1	
38	67267-93J00	.COVER, WIRE	1	
39	67273-95600	.SPACER	1	
40	67275-95600	.END, CABLE	2	
41	67288-92E00	.WASHER, BRAKE ADJ KNOB	1	
42	67292-94300	E RING	3	
43	67294-95600	.SPACER	3	
44	67296-90J00	.SCREW	5	
45	67296-94300	.SCREW	2	
46	67296-95600	.SCREW	3	
47	67296-95610	.SCREW	2	
48	67297-95600	.WASHER	2	
49	09126-05003	.SCREW (5X12)	2	
50	09140-06020	.NUT	3	
51	09160-06104	.WASHER (6.5X24X2)	3	
52	37859-90J00	.SPACER	1	
53	36620-94J01	WIRE ASSY, REMOTE CONTROL	1	
54	09481-10501	.FUSE (10A)	1	

FIG.200

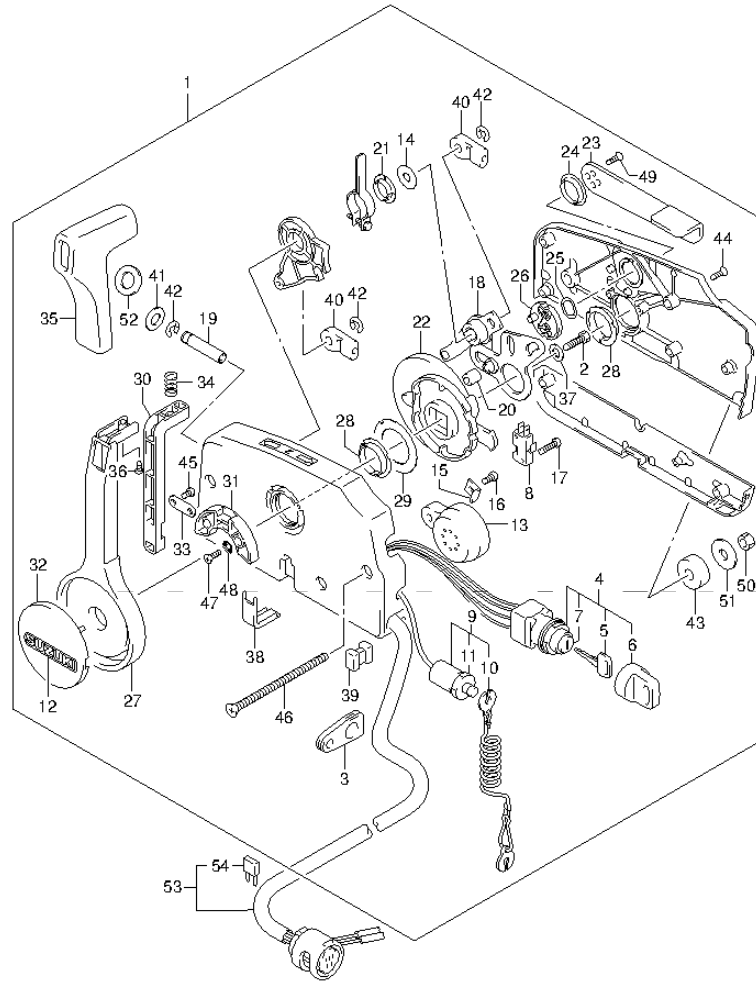


FIG.200 (2-G-3) REMOTE CONTROL (DF20AR P01)

REF NO.	PART NO.	DESCRIPTION	Q'TY	REMARKS
1	67200-94J15	REMOTE CONTROL ASSY	1	
2	09100-08232	.BOLT (8X30)	1	
3	36628-92E00	.GROMMET, WIRE HARNESS	1	
4	37110-94J02	.SWITCH ASSY, IGNITION	1	
5-1	37141-99E00	..KEY (931)	2	
5-2	37141-99E10	..KEY (932)	2	
5-3	37141-99E20	..KEY (933)	2	
5-4	37141-99E30	..KEY (934)	2	
5-5	37141-99E40	..KEY (935)	2	
5-6	37141-99E50	..KEY (936)	2	
5-7	37141-99E60	..KEY (937)	2	
5-8	37141-99E70	..KEY (938)	2	
5-9	37141-99E80	..KEY (939)	2	
5-10	37141-99E90	..KEY (940)	2	
5-11	37141-99EA0	..KEY (941)	2	
5-12	37141-99EB0	..KEY (942)	2	
6	37143-99E00	..CAP, KEY	2	
7	37149-93J00	..CAP, CYLINDER BODY	1	
8	37721-93J91	.SWITCH, NEUTRAL	1	
9	37820-93J03	.SWITCH ASSY, EMERGENCY	1	
10	37823-92E01	..PLATE	1	
11	37826-92E00	..NUT	1	
12	68165-16B00-13L	.EMBLEM, SUZUKI (SILVER)	1	
13	38500-93J00	.BUZZER	1	
14	67212-95600	.WASHER	1	
15	67213-92E00	.BRACKET, BUZZER	1	
16	09125-05042	.SCREW (5X10)	1	
17	67296-92E11	.SCREW, NEUTRAL SW	2	
18	67220-95630	.PLATE ASSY	1	
19	67223-99E10	.KNOB, BRAKE ADJUST	1	
20	67229-95600	.ROLLER	1	
21	67232-95600	.BUSH	1	
22	67238-87D00	.GEAR, DRIVE	1	
23	67241-99E10	.LEVER, FREE THROTTLE	1	

FIG.200

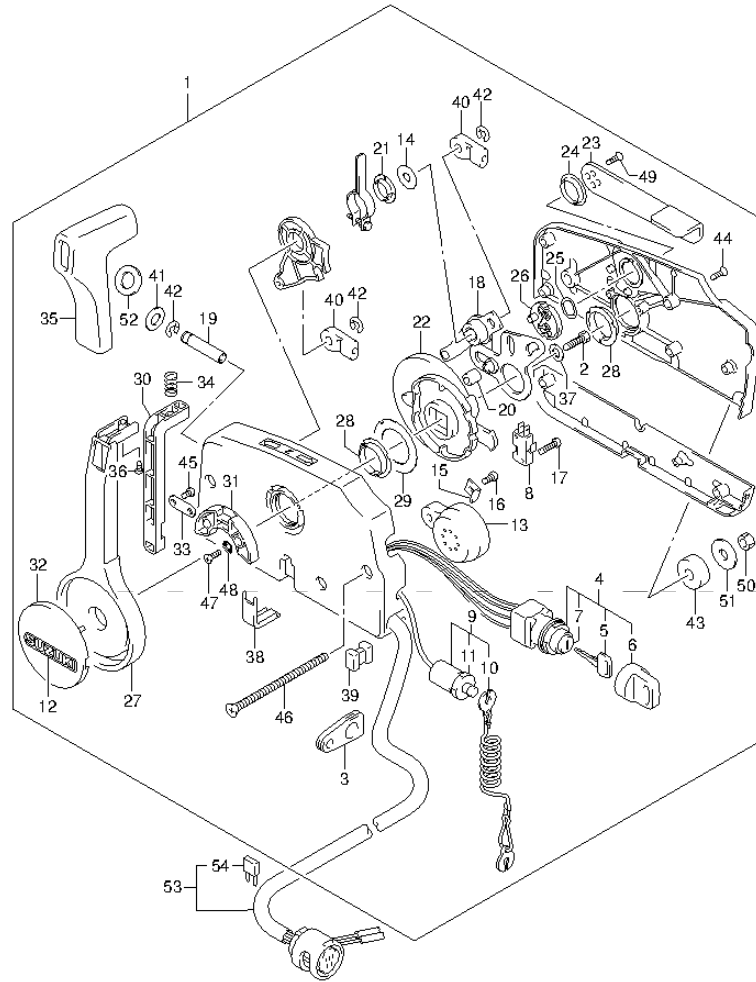


FIG.200 (2-G-4) REMOTE CONTROL (DF20AR P01)

REF NO.	PART NO.	DESCRIPTION	Q'TY	REMARKS
24	67243-95600	.BUSH	1	
25	67244-95600	.WASHER, WAVE	1	
26	67245-95600	.DRUM, FREE THROTTLE	1	
27	67251-99E10	.LEVER, HANDLE	1	
28	67252-95600	.BUSH	2	
29	67253-95600	.WASHER	1	
30	67255-99E00	.ARM, LOCK	1	
31	67256-95600	.HOLDER, NEUT LOCK	1	
32	67257-99E00	.CAP, LEVER	1	
33	67258-99E00	.BRACKET, LOCK ARM	1	
34	67259-87D00	.SPRING, NEUTRAL ARM	1	
35	67261-99E00	.GRIP	1	
36	67296-94310	.SCREW	1	
37	67264-95600	.WASHER	1	
38	67267-93J00	.COVER, WIRE	1	
39	67273-95600	.SPACER	1	
40	67275-95600	.END, CABLE	2	
41	67288-92E00	.WASHER, BRAKE ADJ KNOB	1	
42	67292-94300	E RING	3	
43	67294-95600	.SPACER	3	
44	67296-90J00	.SCREW	5	
45	67296-94300	.SCREW	2	
46	67296-95600	.SCREW	3	
47	67296-95610	.SCREW	2	
48	67297-95600	.WASHER	2	
49	09126-05003	.SCREW (5X12)	2	
50	09140-06020	.NUT	3	
51	09160-06104	.WASHER (6.5X24X2)	3	
52	37859-90J00	.SPACER	1	
53	36620-94J01	WIRE ASSY, REMOTE CONTROL	1	
54	09481-10501	.FUSE (10A)	1	

FIG.201

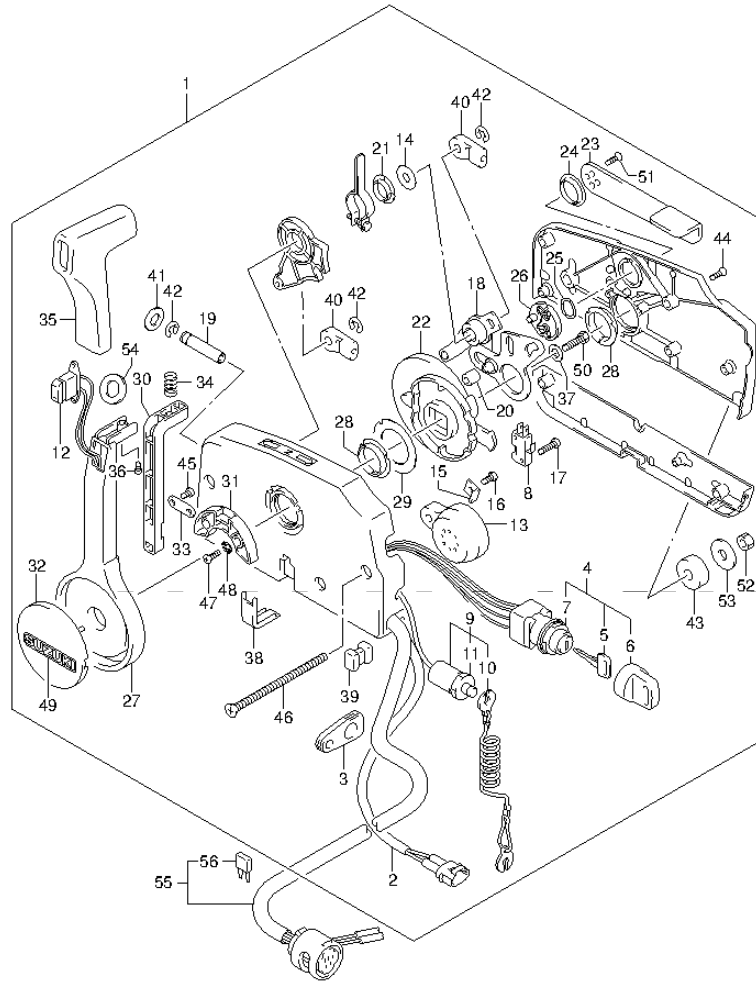


FIG.201 (2-G-5) REMOTE CONTROL (DF20AT P01)

REF NO.	PART NO.	DESCRIPTION	Q'TY	REMARKS
1	67200-93J06	REMOTE CONTROL ASSY	1	
2	36646-93J01	..WIRE ASSY, PTT SW ADAPTER	1	
3	36628-92E00	..GROMMET, WIRE HARNESS	1	
4	37110-93J11	..SWITCH ASSY, IGNITION	1	
5-1	37141-99E00	..KEY (931)	2	
5-2	37141-99E10	..KEY (932)	2	
5-3	37141-99E20	..KEY (933)	2	
5-4	37141-99E30	..KEY (934)	2	
5-5	37141-99E40	..KEY (935)	2	
5-6	37141-99E50	..KEY (936)	2	
5-7	37141-99E60	..KEY (937)	2	
5-8	37141-99E70	..KEY (938)	2	
5-9	37141-99E80	..KEY (939)	2	
5-10	37141-99E90	..KEY (940)	2	
5-11	37141-99EA0	..KEY (941)	2	
5-12	37141-99EB0	..KEY (942)	2	
6	37143-99E00	..CAP, KEY	2	
7	37149-93J00	..CAP CYLINDER BODY	1	
8	37721-93J91	..SWITCH, NEUTRAL	1	
9	37820-93J03	..SWITCH ASSY, EMERGENCY	1	
10	37823-92E01	..PLATE	1	
11	37826-92E00	..NUT	1	
12	37850-90J05	..SWITCH ASSY, PTT	1	
13	38500-93J90	..BUZZER	1	
14	67212-95600	..WASHER	1	
15	67213-92E00	..BRACKET, BUZZER	1	
16	09125-05042	..SCREW (5X10)	1	
17	67296-92E11	..SCREW, NEUTRAL SW	2	
18	67220-95630	..PLATE ASSY	1	
19	67223-99E10	..KNOB, BRAKE ADJ	1	
20	67229-95600	..ROLLER	1	
21	67232-95600	..BUSH	1	
22	67238-87D00	..GEAR, DRIVE	1	
23	67241-99E10	..LEVER, FREE THROTTLE	1	

FIG.201

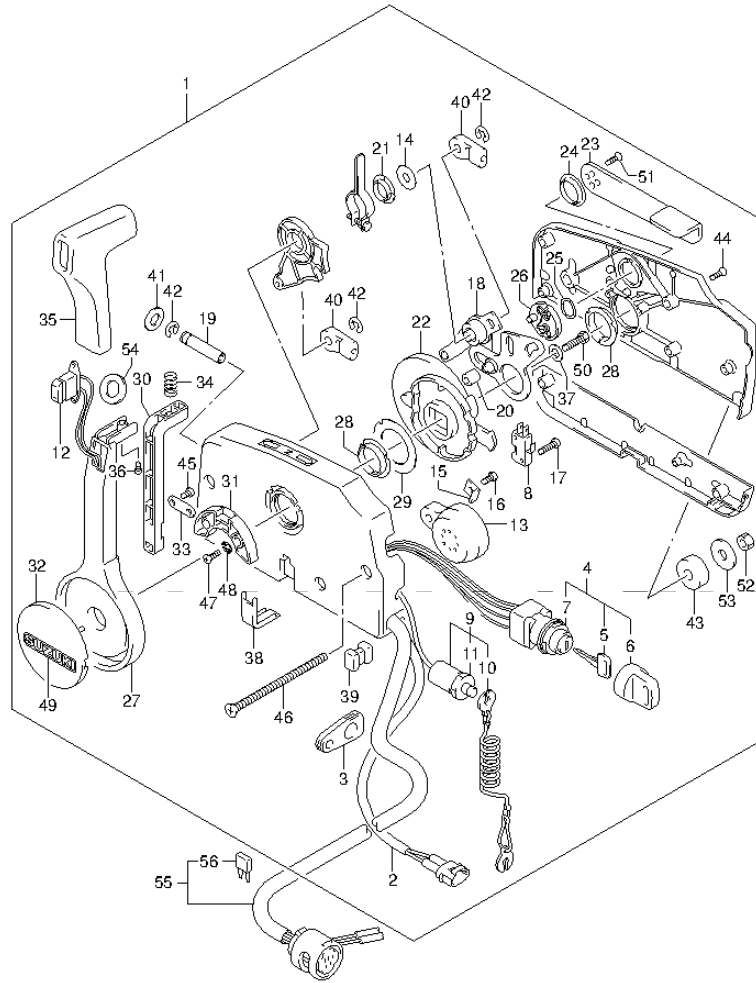


FIG.201 (2-G-6) REMOTE CONTROL (DF20AT P01)

REF NO.	PART NO.	DESCRIPTION	Q'TY	REMARKS
24	67243-95600	.BUSH	1	
25	67244-95600	.WASHER, WAVE	1	
26	67245-95600	.DRUM, FREE THROTTLE	1	
27	67251-99E10	.LEVER, HANDLE	1	
28	67252-95600	.BUSH	2	
29	67253-95600	.WASHER	1	
30	67255-99E00	.ARM, LOCK	1	
31	67256-95600	.HOLDER, NEUT LOCK	1	
32	67257-99E00	.CAP, LEVER	1	
33	67258-99E00	.BRACKET, LOCK ARM	1	
34	67259-87D00	.SPRING, NEUTRAL ARM	1	
35	67261-99E00	.GRIP	1	
36	67296-94310	.SCREW	1	
37	67264-95600	.WASHER	1	
38	67267-93J00	.COVER, WIRE	1	
39	67273-95600	.SPACER	1	
40	67275-95600	.END, CABLE	2	
41	67288-92E00	.WASHER, BRAKE ADJ KNOB	1	
42	67292-94300	E RING	3	
43	67294-95600	.SPACER	3	
44	67296-90J00	.SCREW	5	
45	67296-94300	.SCREW	2	
46	67296-95600	.SCREW	3	
47	67296-95610	.SCREW	2	
48	67297-95600	.WASHER	2	
49	68165-16B00-13L	.EMBLEM (SILVER)	1	
50	09100-08232	.BOLT (8X30)	1	
51	09126-05003	.SCREW (5X12)	2	
52	09140-06020	.NUT	3	
53	09160-06104	.WASHER (6.5X24X2)	3	
54	37859-90J00	.SPACER	1	
55	36620-93J02	WIRE ASSY, REMOTE CONTROL	1	
56	09481-10501	.FUSE (10A)	1	

FIG.202

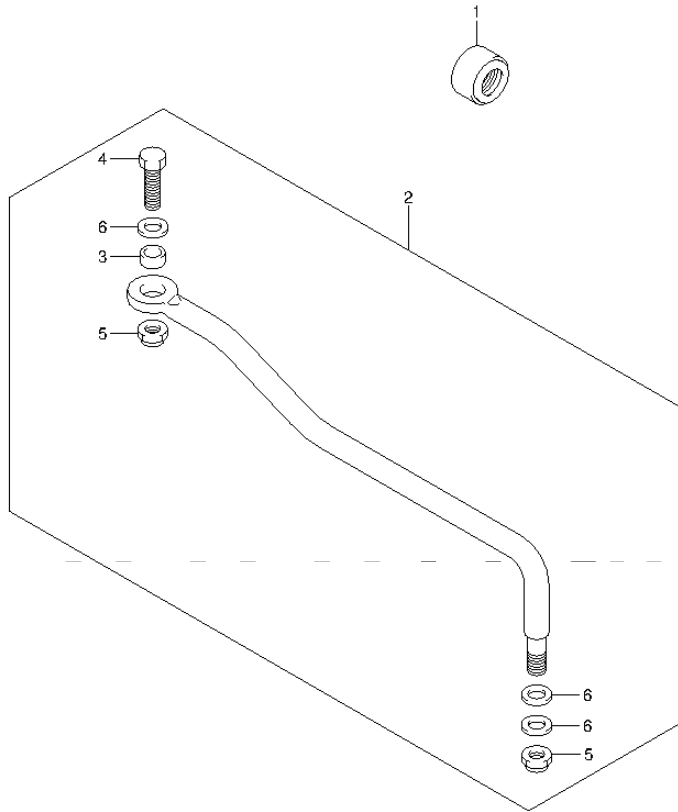


FIG.202 (2-G-7) DRAG LINK (DF9.9BR P01)

REF NO.	PART NO.	DESCRIPTION	Q'TY	REMARKS
1	41161-94400	SEAL, STEERING CABLE	1	
2	67701-99J01	LINK ASSY, DRAG	1	
3	67721-89J00	.SPACER	1	
4	67725-99J00	.BOLT	1	
5	67726-99E00	.NUT	2	
6	67728-99E00	.WASHER	3	



FIG.203

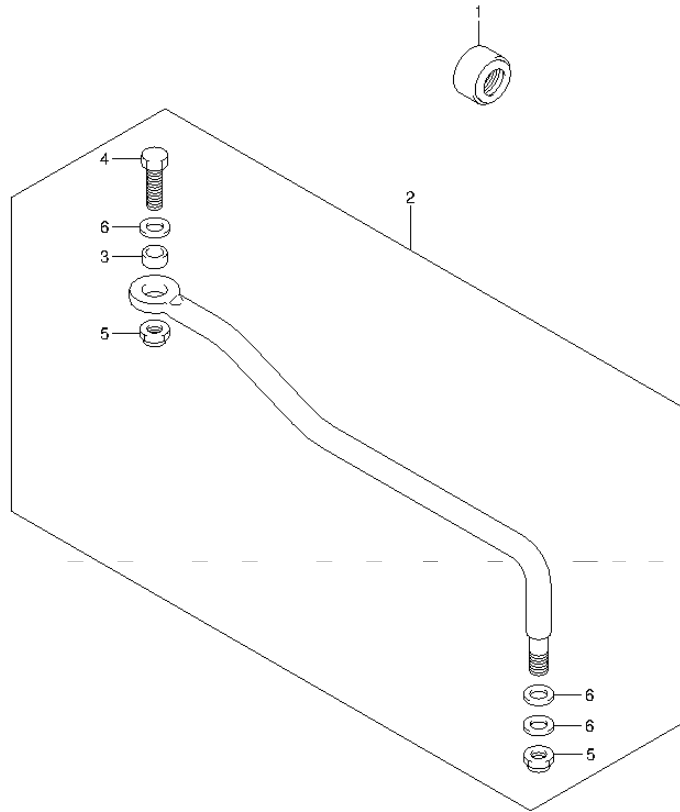


FIG.203 (2-G-8) DRAG LINK (DF9.9BT P01)

REF NO.	PART NO.	DESCRIPTION	Q'TY	REMARKS
1	41161-94400	SEAL, STEERING CABLE	1	
2	67701-99J01	LINK ASSY, DRAG	1	
3	67721-89J00	.SPACER	1	
4	67725-99J00	.BOLT	1	
5	67726-99E00	.NUT	2	
6	67728-99E00	.WASHER	3	



FIG.204

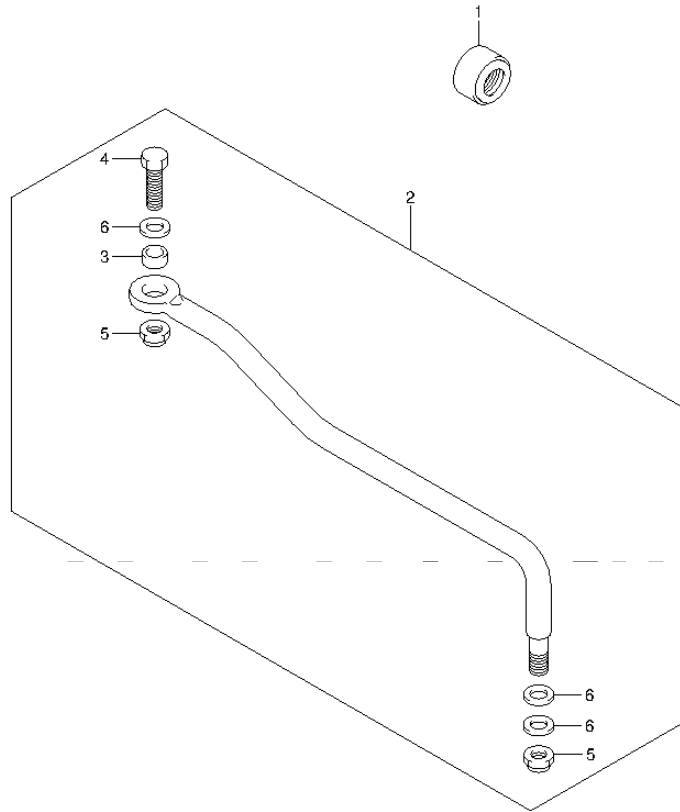


FIG.204 (2-G-9) DRAG LINK (DF15AR P01)

REF NO.	PART NO.	DESCRIPTION	Q'TY	REMARKS
1	41161-94400	SEAL, STEERING CABLE	1	
2	67701-99J01	LINK ASSY, DRAG	1	
3	67721-89J00	.SPACER	1	
4	67725-99J00	.BOLT	1	
5	67726-99E00	.NUT	2	
6	67728-99E00	.WASHER	3	



FIG.205

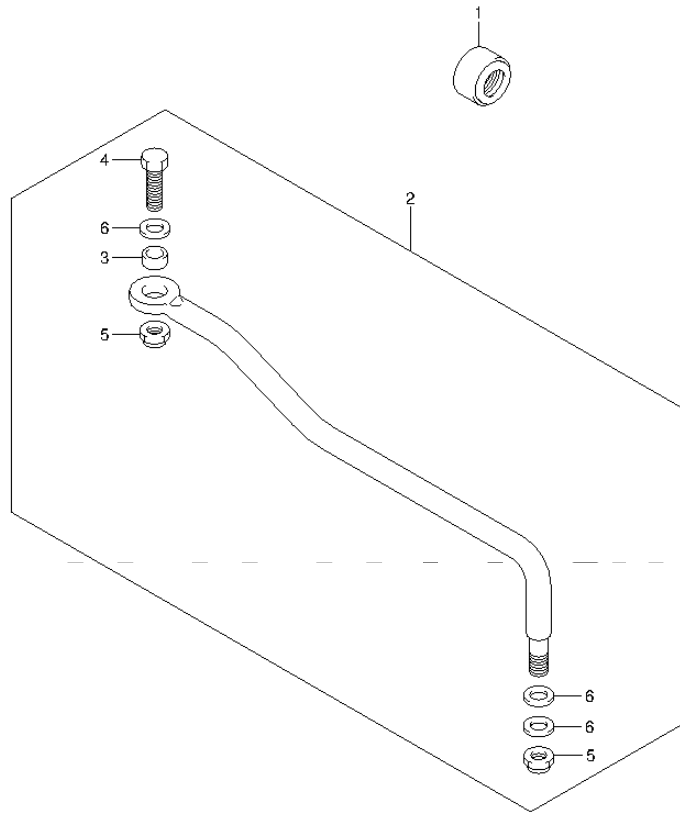


FIG.205 (2-G-10) DRAG LINK (DF20AR P01)

REF NO.	PART NO.	DESCRIPTION	Q'TY	REMARKS
1	41161-94400	SEAL, STEERING CABLE	1	
2	67701-99J01	LINK ASSY, DRAG	1	
3	67721-89J00	.SPACER	1	
4	67725-99J00	.BOLT	1	
5	67726-99E00	.NUT	2	
6	67728-99E00	.WASHER	3	



FIG.206

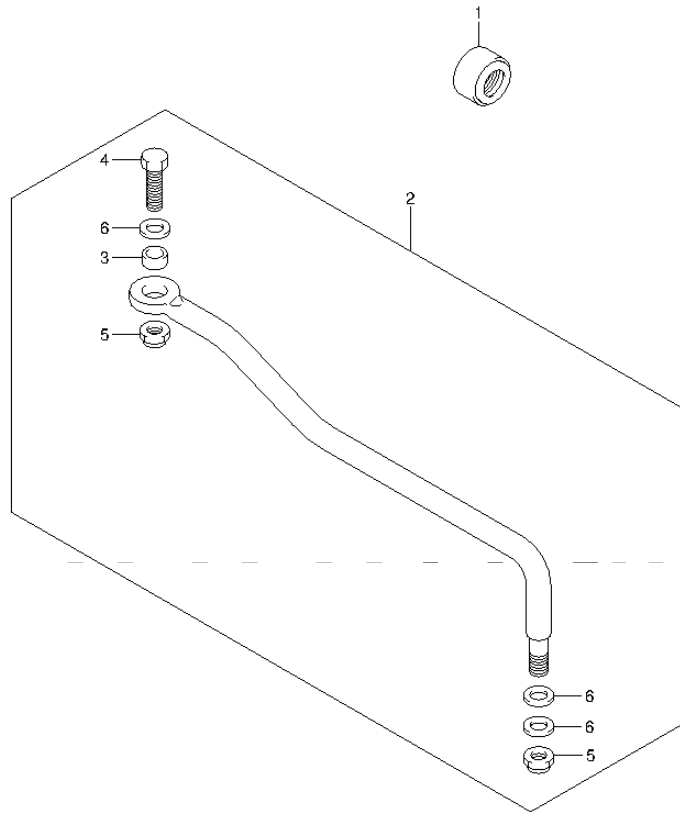


FIG.206 (2-G-11) DRAG LINK (DF20AT P01)

REF NO.	PART NO.	DESCRIPTION	Q'TY	REMARKS
1	41161-94400	SEAL, STEERING CABLE	1	
2	67701-99J01	LINK ASSY, DRAG	1	
3	67721-89J00	.SPACER	1	
4	67725-99J00	.BOLT	1	
5	67726-99E00	.NUT	2	
6	67728-99E00	.WASHER	3	



FIG.207

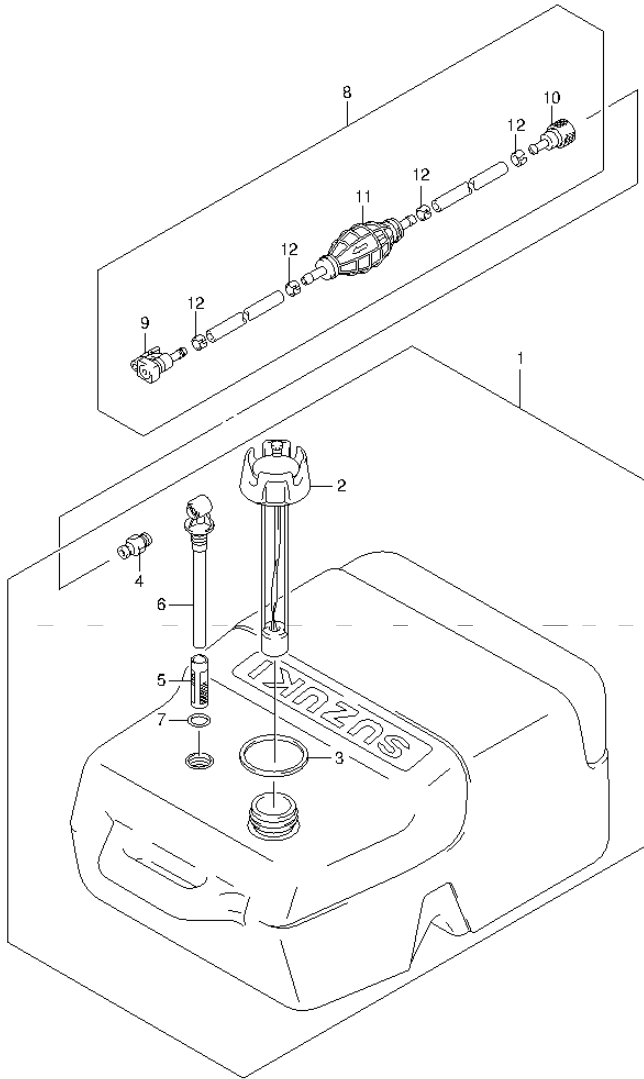


FIG.207 (2-G-12) OPT:FUEL TANK

REF NO.	PART NO.	DESCRIPTION	Q'TY	REMARKS
1	65000-95D01	TANK ASSY, FUEL (25L)	1	
2	65520-95D00	.CAP, FUEL TANK	1	
3	65561-95D00	.GASKET, TANK CAP	1	
4	65740-95D01	.PLUG, FUEL CONNECTOR	1	
5	65831-95D00	.FILTER, OUTLET	1	
6	65890-95D00	.OUTLET ASSY	1	
7	65892-95D00	.O RING	1	
8	65700-87J15	HOSE, FUEL	1	
9	65750-87J11	.SOCKET, FUEL HOSE	1	
10	65750-95500	.SOCKET, FUEL HOSE	1	
11	65770-90J11	.PUMP, SQUEEZE	1	
12	65781-98500	.CLIP	4	

FIG.208

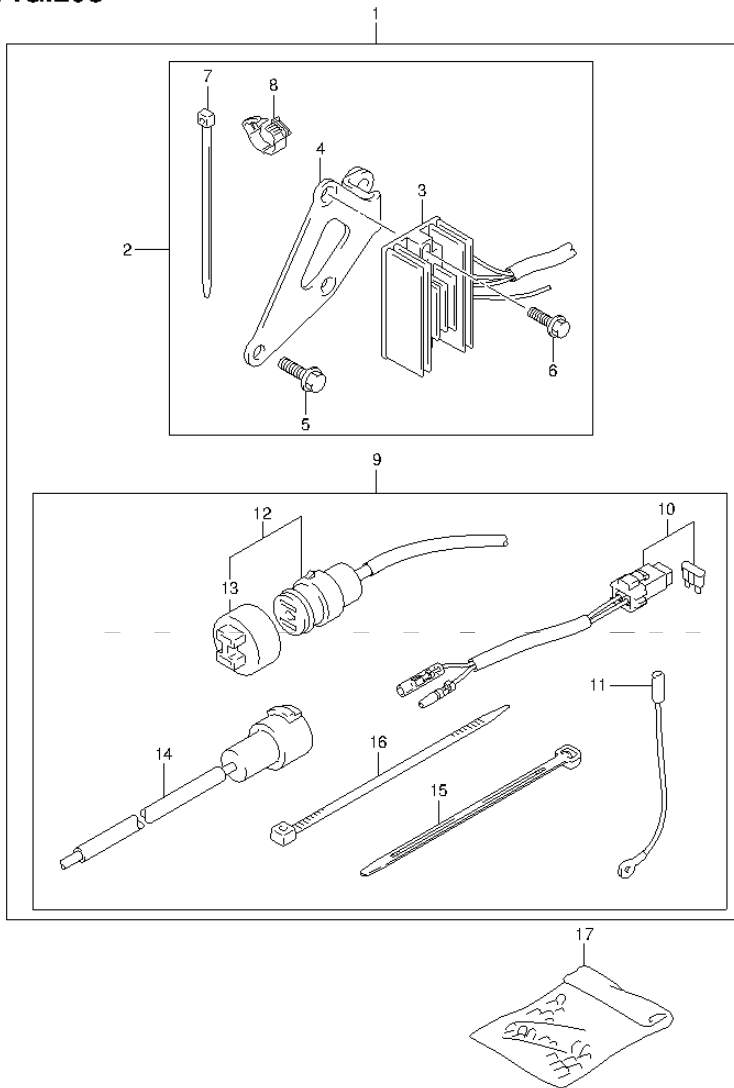


FIG.208 (2-G-13) OPT:ELECTRICAL (MANUAL STARTER) (DF9.9B P01)

REF NO.	PART NO.	DESCRIPTION	Q'TY	REMARKS
1	32000-89L00	KIT,BATTERY CHARGING	1	
2	32801-89L00	..RECTIFIER & REGULATOR SET	1	
3	32800-94J11	..RECTIFIER/REGULATOR ASSY	1	
4	32815-89L10	..BRACKET, RECTIFIER	1	
5	01550-08207	..BOLT	2	
6	01550-06207	..BOLT	2	
7	09407-14407	..CLAMP (L:145)	3	
8	09408-00184	..CLAMP	1	
9	39600-89L00	..RECEPTACLE SET	1	
10	36740-94J00	..CASE ASSY, FUSE	1	
11	37801-98300	..LEAD RECEPTACLE GROUND	1	
12	39601-95D00	..RECEPTACLE ASSY, LIGHTING	1	
13	36634-93910	...CAP	1	
14	39602-93900	..PLUG, RECEPTACLE	1	
15	09407-14403	..CLAMP (L:125)	2	
16	09407-14407	..CLAMP (L:145)	3	
17	36990-87D00	TERMINAL & SLEEVE SET	1	

FIG.209

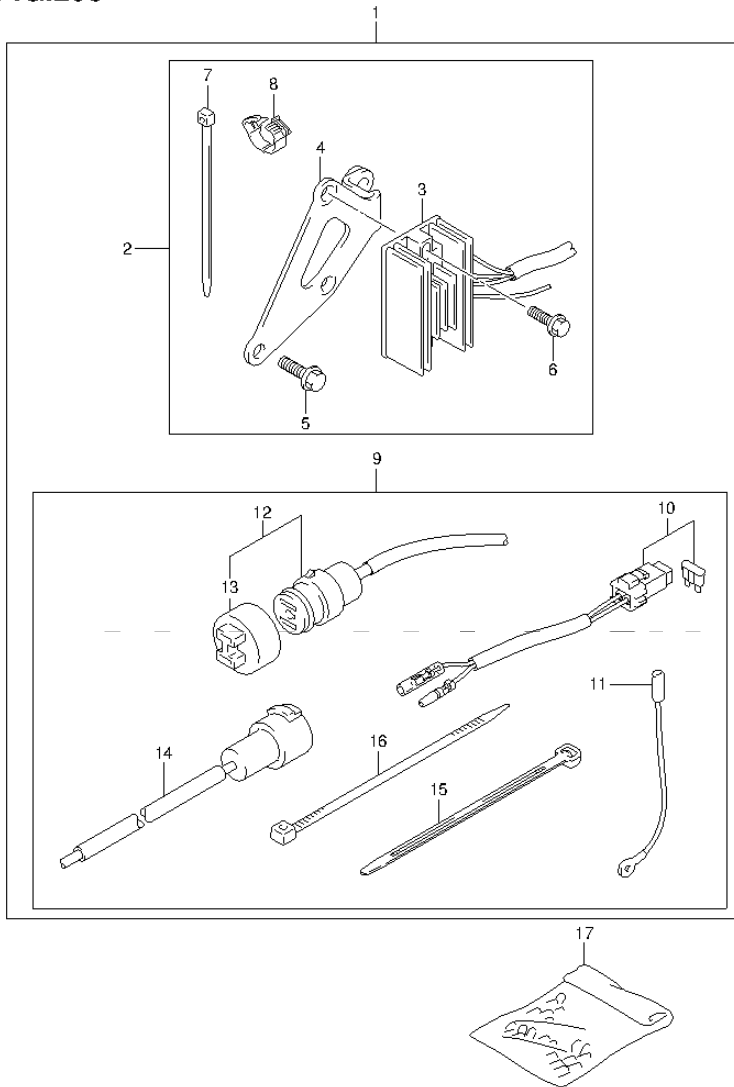


FIG.209 (2-G-14) OPT:ELECTRICAL (MANUAL STARTER) (DF15A P01)

REF NO.	PART NO.	DESCRIPTION	Q'TY	REMARKS
1	32000-89L00	KIT,BATTERY CHARGING	1	
2	32801-89L00	..RECTIFIER & REGULATOR SET	1	
3	32800-94J11	..RECTIFIER/REGULATOR ASSY	1	
4	32815-89L10	..BRACKET, RECTIFIER	1	
5	01550-08207	..BOLT	2	
6	01550-06207	..BOLT	2	
7	09407-14407	..CLAMP (L:145)	3	
8	09408-00184	..CLAMP	1	
9	39600-89L00	..RECEPTACLE SET	1	
10	36740-94J00	..CASE ASSY, FUSE	1	
11	37801-98300	..LEAD RECEPTACLE GROUND	1	
12	39601-95D00	..RECEPTACLE ASSY, LIGHTING	1	
13	36634-93910	...CAP	1	
14	39602-93900	..PLUG, RECEPTACLE	1	
15	09407-14403	..CLAMP (L:125)	2	
16	09407-14407	..CLAMP (L:145)	3	
17	36990-87D00	TERMINAL & SLEEVE SET	1	

FIG.210

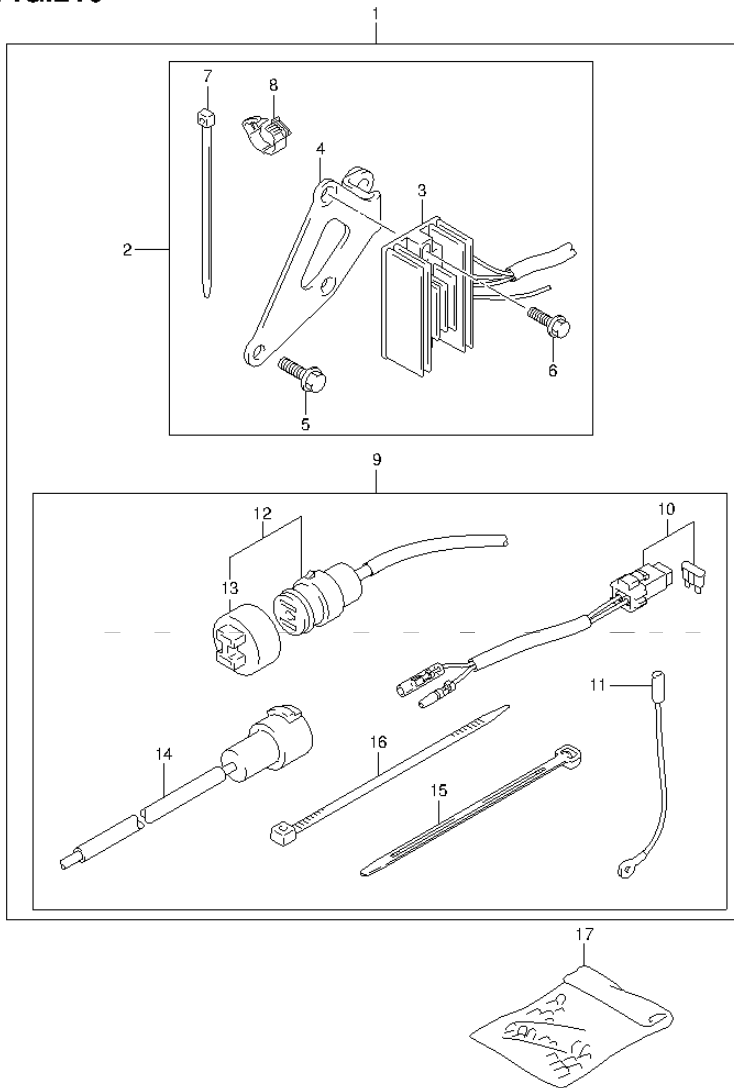


FIG.210 (2-G-15) OPT:ELECTRICAL (MANUAL STARTER) (DF20A P01)

REF NO.	PART NO.	DESCRIPTION	Q'TY	REMARKS
1	32000-89L00	KIT,BATTERY CHARGING	1	
2	32801-89L00	..RECTIFIER & REGULATOR SET	1	
3	32800-94J11	..RECTIFIER/REGULATOR ASSY	1	
4	32815-89L10	..BRACKET, RECTIFIER	1	
5	01550-08207	..BOLT	2	
6	01550-06207	..BOLT	2	
7	09407-14407	..CLAMP (L:145)	3	
8	09408-00184	..CLAMP	1	
9	39600-89L00	..RECEPTACLE SET	1	
10	36740-94J00	..CASE ASSY, FUSE	1	
11	37801-98300	..LEAD RECEPTACLE GROUND	1	
12	39601-95D00	..RECEPTACLE ASSY, LIGHTING	1	
13	36634-93910	...CAP	1	
14	39602-93900	..PLUG, RECEPTACLE	1	
15	09407-14403	..CLAMP (L:125)	2	
16	09407-14407	..CLAMP (L:145)	3	
17	36990-87D00	TERMINAL & SLEEVE SET	1	

FIG.211

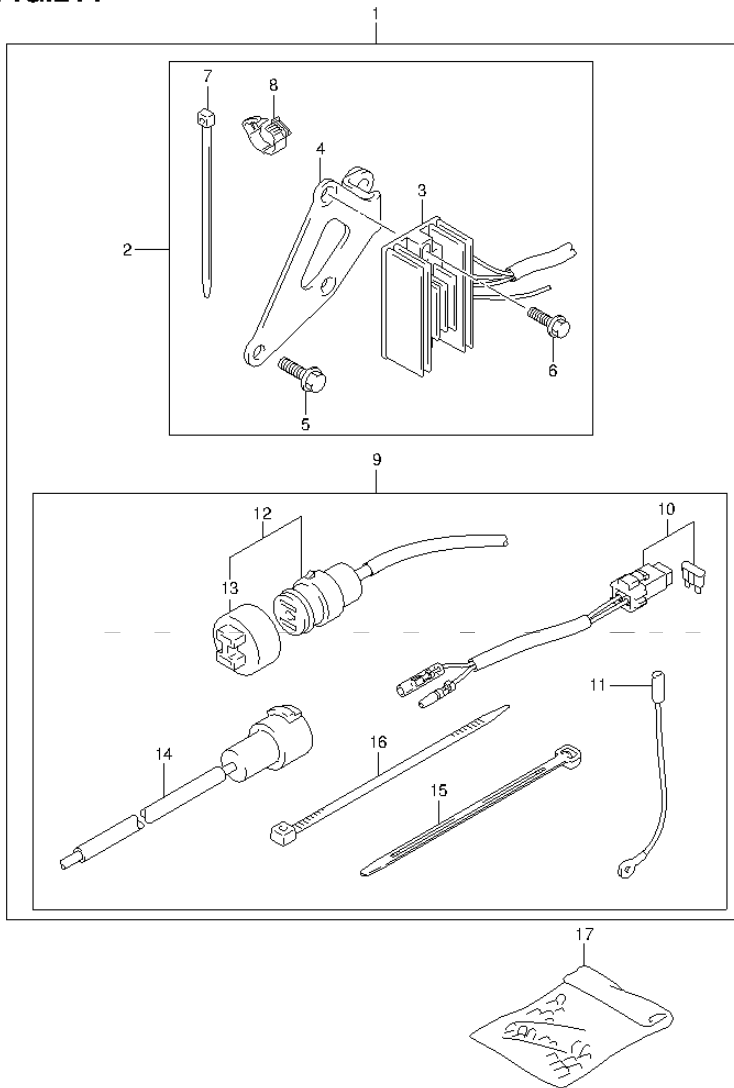


FIG.211 (2-H-2) OPT:ELECTRICAL (MANUAL STARTER) (DF20A P40)

REF NO.	PART NO.	DESCRIPTION	Q'TY	REMARKS
1	32000-89L00	KIT,BATTERY CHARGING	1	
2	32801-89L00	..RECTIFIER & REGULATOR SET	1	
3	32800-94J11	..RECTIFIER/REGULATOR ASSY	1	
4	32815-89L10	..BRACKET, RECTIFIER	1	
5	01550-08207	..BOLT	2	
6	01550-06207	..BOLT	2	
7	09407-14407	..CLAMP (L:145)	3	
8	09408-00184	..CLAMP	1	
9	39600-89L00	..RECEPTACLE SET	1	
10	36740-94J00	..CASE ASSY, FUSE	1	
11	37801-98300	..LEAD RECEPTACLE GROUND	1	
12	39601-95D00	..RECEPTACLE ASSY, LIGHTING	1	
13	36634-93910	...CAP	1	
14	39602-93900	..PLUG, RECEPTACLE	1	
15	09407-14403	..CLAMP (L:125)	2	
16	09407-14407	..CLAMP (L:145)	3	
17	36990-87D00	TERMINAL & SLEEVE SET	1	

FIG.212

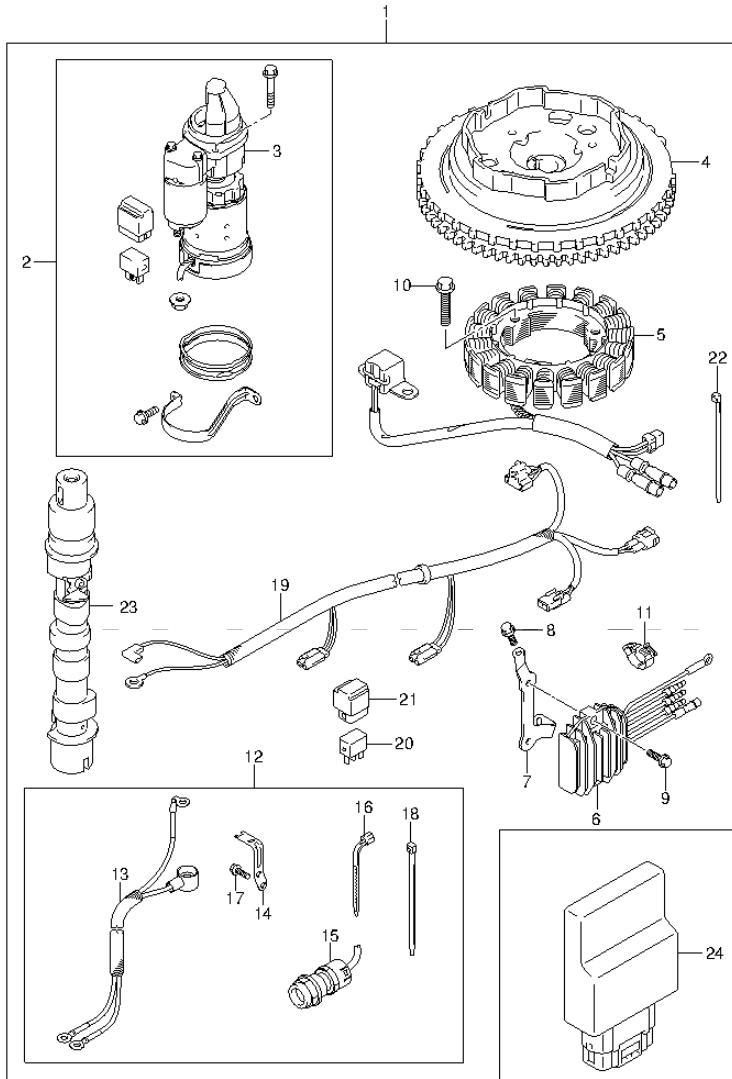


FIG.212 (2-H-3) OPT:STARTING MOTOR (MANUAL STARTER) (DF9.9B P01)

REF NO.	PART NO.	DESCRIPTION	Q'TY	REMARKS
1	31000-89L02	STARTER SET, ELECTRIC	1	
2	31101-89L00	.MOTOR SET, STARTING	1	
3	31100-94J21	..MOTOR ASSY, STARTING	1	
4	32102-89L00	.FLYWHEEL, MAGNETO	1	
5	32120-89L00	.COIL, STATOR & PULSER	1	
6	32800-89L00	.RECTIFIER/REGULATOR ASSY	1	
7	32815-89L00	.BRACKET, RECTIFIER	1	
8	01550-06167	.BOLT	1	
9	01550-06207	.BOLT	2	
10	01547-0625A	.BOLT	3	
11	09408-00184	.CLAMP	1	
12	33800-89L00	.CABLE SET, STARTER	1	
13	33810-89L01	..CABLE, STARTER	1	
14	36617-89L10	..BRACKET, HARNESS	1	
15	37161-89L00	..SWITCH ASSY, STARTER	1	
16	09407-14403	..CLAMP (L:125)	1	
17	01547-06167	..BOLT	2	
18	09407-14407	..CLAMP (L:145)	1	
19	36610-89L02	.HARNESS ASSY, WIRING	1	
20	38860-76F01	.RELAY ASSY	1	
21	38915-90J00	.HOLDER, RELAY	1	
22	09407-14407	..CLAMP (L:145)	11	
23	12700-89L20	.CAMSHAFT ASSY	1	
24	33920-89L40	UNIT, ENGINE CONTROL	1	

FIG.213

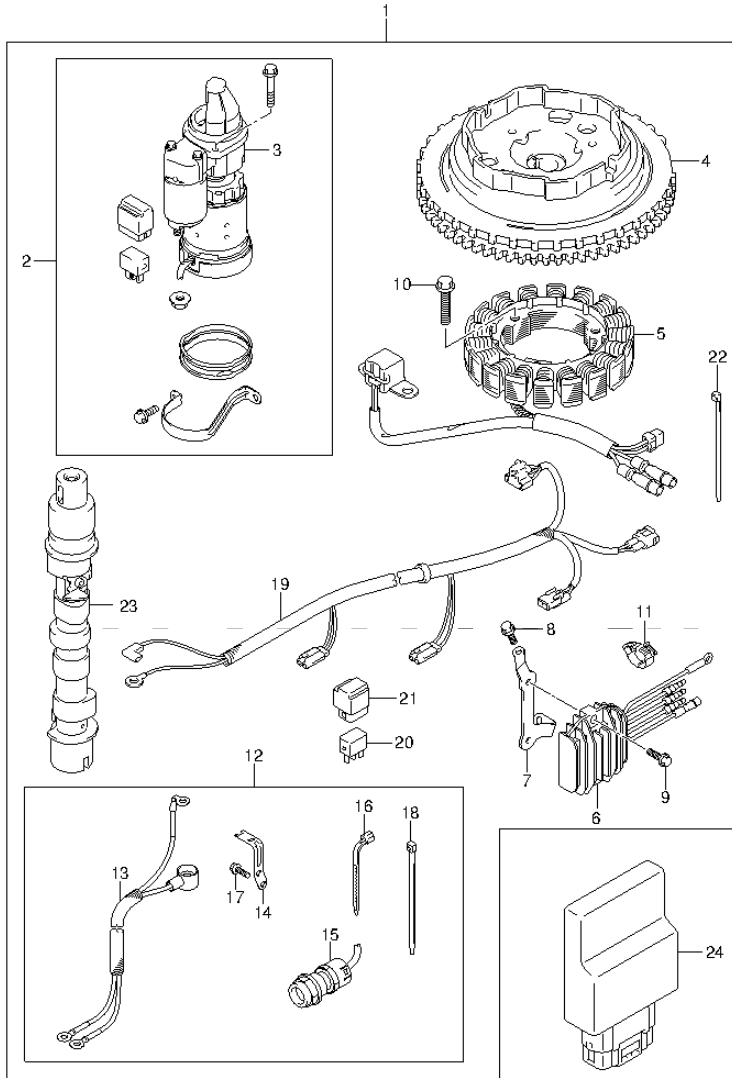


FIG.213 (2-H-4) OPT:STARTING MOTOR (MANUAL STARTER) (DF9.9BR P01)

REF NO.	PART NO.	DESCRIPTION	Q'TY	REMARKS
1	31000-89L02	STARTER SET, ELECTRIC	1	
2	31101-89L00	.MOTOR SET, STARTING	1	
3	31100-94J21	..MOTOR ASSY, STARTING	1	
4	32102-89L00	.FLYWHEEL, MAGNETO	1	
5	32120-89L00	.COIL, STATOR & PULSER	1	
6	32800-89L00	.RECTIFIER/REGULATOR ASSY	1	
7	32815-89L00	.BRACKET, RECTIFIER	1	
8	01550-06167	.BOLT	1	
9	01550-06207	.BOLT	2	
10	01547-0625A	.BOLT	3	
11	09408-00184	.CLAMP	1	
12	33800-89L00	.CABLE SET, STARTER	1	
13	33810-89L01	..CABLE, STARTER	1	
14	36617-89L10	..BRACKET, HARNESS	1	
15	37161-89L00	..SWITCH ASSY, STARTER	1	
16	09407-14403	..CLAMP (L:125)	1	
17	01547-06167	..BOLT	2	
18	09407-14407	..CLAMP (L:145)	1	
19	36610-89L02	.HARNESS ASSY, WIRING	1	
20	38860-76F01	.RELAY ASSY	1	
21	38915-90J00	.HOLDER, RELAY	1	
22	09407-14407	..CLAMP (L:145)	11	
23	12700-89L20	.CAMSHAFT ASSY	1	
24	33920-89L40	UNIT, ENGINE CONTROL	1	

FIG.214

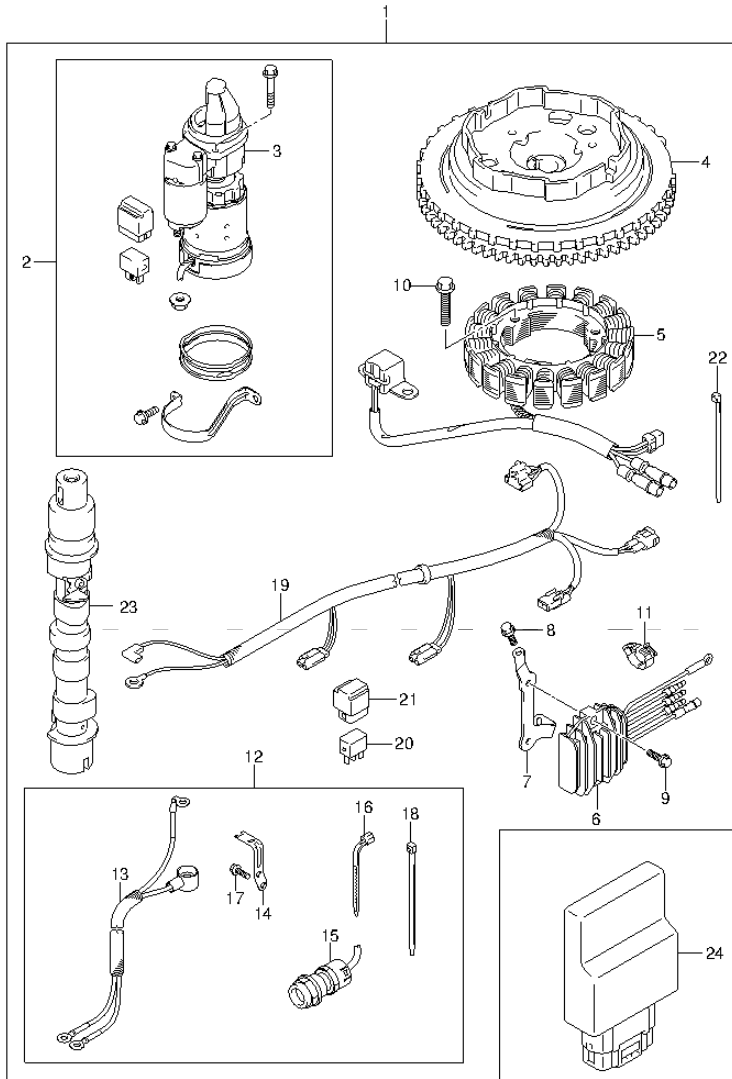


FIG.214 (2-H-5) OPT:STARTING MOTOR (MANUAL STARTER) (DF9.9BT P01)

REF NO.	PART NO.	DESCRIPTION	Q'TY	REMARKS
1	31000-89L02	STARTER SET, ELECTRIC	1	
2	31101-89L00	.MOTOR SET, STARTING	1	
3	31100-94J21	..MOTOR ASSY, STARTING	1	
4	32102-89L00	.FLYWHEEL, MAGNETO	1	
5	32120-89L00	.COIL, STATOR & PULSER	1	
6	32800-89L00	.RECTIFIER/REGULATOR ASSY	1	
7	32815-89L00	.BRACKET, RECTIFIER	1	
8	01550-06167	.BOLT	1	
9	01550-06207	.BOLT	2	
10	01547-0625A	.BOLT	3	
11	09408-00184	.CLAMP	1	
12	33800-89L00	.CABLE SET, STARTER	1	
13	33810-89L01	..CABLE, STARTER	1	
14	36617-89L10	..BRACKET, HARNESS	1	
15	37161-89L00	..SWITCH ASSY, STARTER	1	
16	09407-14403	..CLAMP (L:125)	1	
17	01547-06167	..BOLT	2	
18	09407-14407	..CLAMP (L:145)	1	
19	36610-89L02	.HARNESS ASSY, WIRING	1	
20	38860-76F01	.RELAY ASSY	1	
21	38915-90J00	.HOLDER, RELAY	1	
22	09407-14407	..CLAMP (L:145)	11	
23	12700-89L20	.CAMSHAFT ASSY	1	
24	33920-89L40	UNIT, ENGINE CONTROL	1	

FIG.215

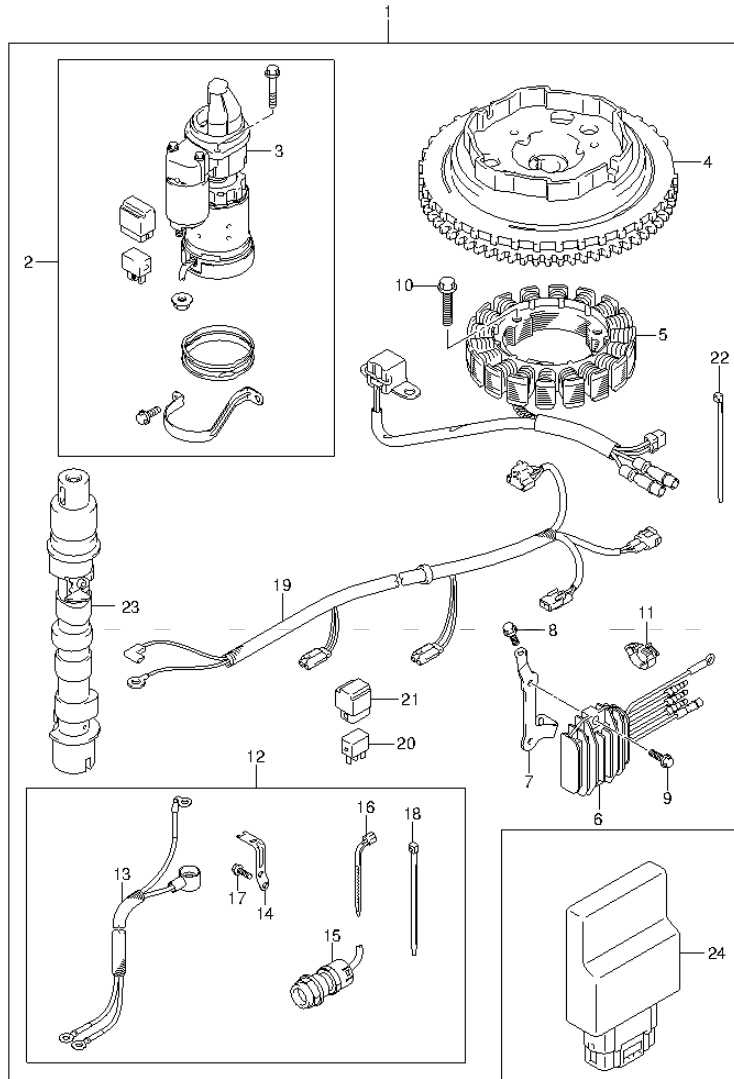


FIG.215 (2-H-6) OPT:STARTING MOTOR (MANUAL STARTER) (DF15A P01)

REF NO.	PART NO.	DESCRIPTION	Q'TY	REMARKS
1	31000-89L02	STARTER SET, ELECTRIC	1	
2	31101-89L00	.MOTOR SET, STARTING	1	
3	31100-94J21	..MOTOR ASSY, STARTING	1	
4	32102-89L00	.FLYWHEEL, MAGNETO	1	
5	32120-89L00	.COIL, STATOR & PULSER	1	
6	32800-89L00	.RECTIFIER/REGULATOR ASSY	1	
7	32815-89L00	.BRACKET, RECTIFIER	1	
8	01550-06167	.BOLT	1	
9	01550-06207	.BOLT	2	
10	01547-0625A	.BOLT	3	
11	09408-00184	.CLAMP	1	
12	33800-89L00	.CABLE SET, STARTER	1	
13	33810-89L01	..CABLE, STARTER	1	
14	36617-89L10	..BRACKET, HARNESS	1	
15	37161-89L00	..SWITCH ASSY, STARTER	1	
16	09407-14403	..CLAMP (L:125)	1	
17	01547-06167	..BOLT	2	
18	09407-14407	..CLAMP (L:145)	1	
19	36610-89L02	.HARNESS ASSY, WIRING	1	
20	38860-76F01	.RELAY ASSY	1	
21	38915-90J00	.HOLDER, RELAY	1	
22	09407-14407	..CLAMP (L:145)	11	
23	12700-89L20	.CAMSHAFT ASSY	1	
24	33920-89L01	UNIT, ENGINE CONTROL	1	

FIG.216

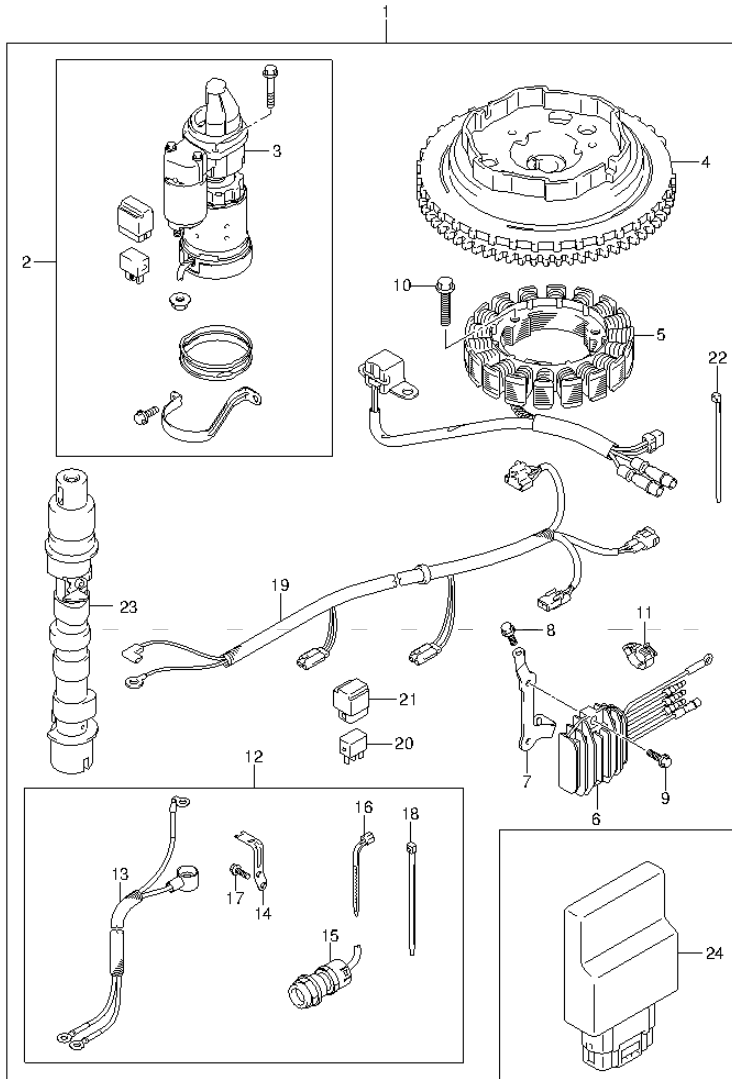


FIG.216 (2-H-7) OPT:STARTING MOTOR (MANUAL STARTER) (DF15AR P01)

REF NO.	PART NO.	DESCRIPTION	Q'TY	REMARKS
1	31000-89L02	STARTER SET, ELECTRIC	1	
2	31101-89L00	.MOTOR SET, STARTING	1	
3	31100-94J21	..MOTOR ASSY, STARTING	1	
4	32102-89L00	.FLYWHEEL, MAGNETO	1	
5	32120-89L00	.COIL, STATOR & PULSER	1	
6	32800-89L00	.RECTIFIER/REGULATOR ASSY	1	
7	32815-89L00	.BRACKET, RECTIFIER	1	
8	01550-06167	.BOLT	1	
9	01550-06207	.BOLT	2	
10	01547-0625A	.BOLT	3	
11	09408-00184	.CLAMP	1	
12	33800-89L00	.CABLE SET, STARTER	1	
13	33810-89L01	..CABLE, STARTER	1	
14	36617-89L10	..BRACKET, HARNESS	1	
15	37161-89L00	..SWITCH ASSY, STARTER	1	
16	09407-14403	..CLAMP (L:125)	1	
17	01547-06167	..BOLT	2	
18	09407-14407	..CLAMP (L:145)	1	
19	36610-89L02	.HARNESS ASSY, WIRING	1	
20	38860-76F01	.RELAY ASSY	1	
21	38915-90J00	.HOLDER, RELAY	1	
22	09407-14407	..CLAMP (L:145)	11	
23	12700-89L20	.CAMSHAFT ASSY	1	
24	33920-89L01	UNIT, ENGINE CONTROL	1	

FIG.217

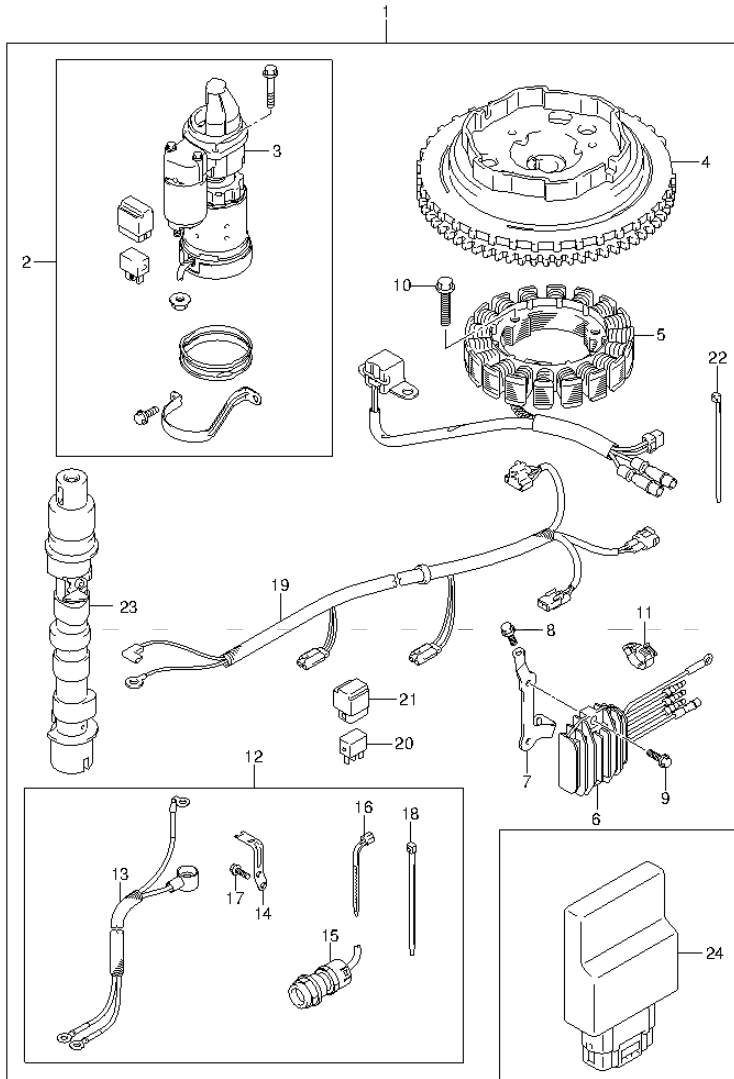


FIG.217 (2-H-8) OPT:STARTING MOTOR (MANUAL STARTER) (DF15ATH P01)

REF NO.	PART NO.	DESCRIPTION	Q'TY	REMARKS
1	31000-89L02	STARTER SET, ELECTRIC	1	
2	31101-89L00	.MOTOR SET, STARTING	1	
3	31100-94J21	..MOTOR ASSY, STARTING	1	
4	32102-89L00	.FLYWHEEL, MAGNETO	1	
5	32120-89L00	.COIL, STATOR & PULSER	1	
6	32800-89L00	.RECTIFIER/REGULATOR ASSY	1	
7	32815-89L00	.BRACKET, RECTIFIER	1	
8	01550-06167	.BOLT	1	
9	01550-06207	.BOLT	2	
10	01547-0625A	.BOLT	3	
11	09408-00184	.CLAMP	1	
12	33800-89L00	.CABLE SET, STARTER	1	
13	33810-89L01	..CABLE, STARTER	1	
14	36617-89L10	..BRACKET, HARNESS	1	
15	37161-89L00	..SWITCH ASSY, STARTER	1	
16	09407-14403	..CLAMP (L:125)	1	
17	01547-06167	..BOLT	2	
18	09407-14407	..CLAMP (L:145)	1	
19	36610-89L02	.HARNESS ASSY, WIRING	1	
20	38860-76F01	.RELAY ASSY	1	
21	38915-90J00	.HOLDER, RELAY	1	
22	09407-14407	..CLAMP (L:145)	11	
23	12700-89L20	.CAMSHAFT ASSY	1	
24	33920-89L01	UNIT, ENGINE CONTROL	1	

FIG.218

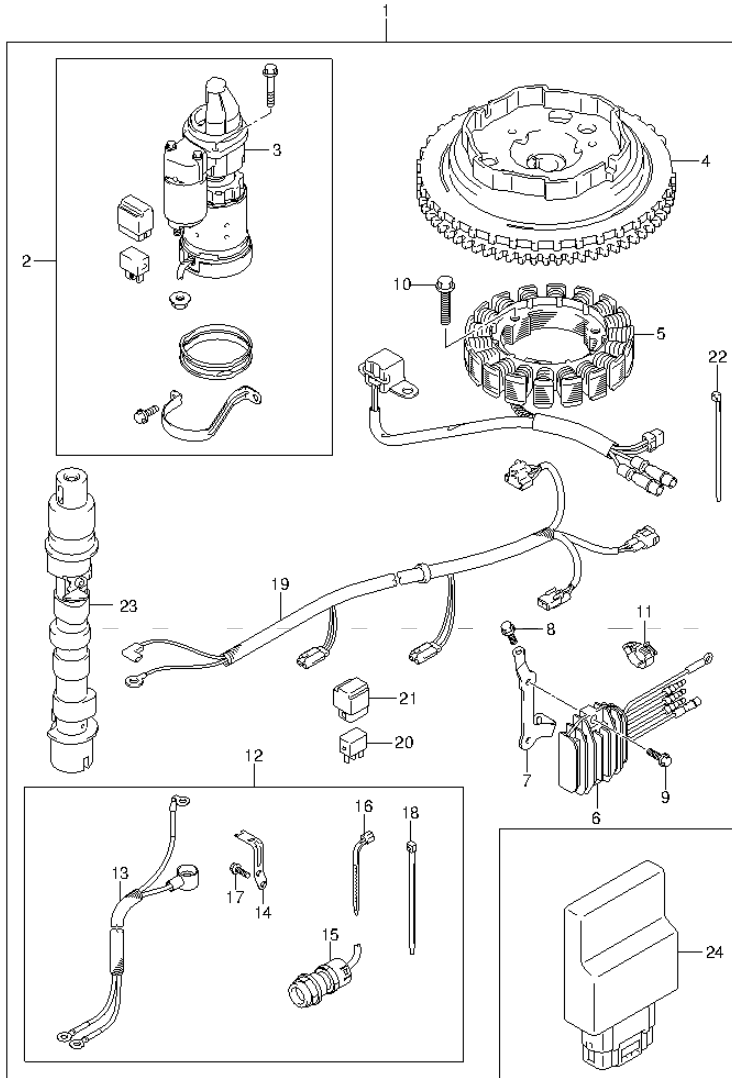


FIG.218 (2-H-9) OPT:STARTING MOTOR (MANUAL STARTER) (DF20A P01)

REF NO.	PART NO.	DESCRIPTION	Q'TY	REMARKS
1	31000-89L02	STARTER SET, ELECTRIC	1	
2	31101-89L00	.MOTOR SET, STARTING	1	
3	31100-94J21	..MOTOR ASSY, STARTING	1	
4	32102-89L00	.FLYWHEEL, MAGNETO	1	
5	32120-89L00	.COIL, STATOR & PULSER	1	
6	32800-89L00	.RECTIFIER/REGULATOR ASSY	1	
7	32815-89L00	.BRACKET, RECTIFIER	1	
8	01550-06167	.BOLT	1	
9	01550-06207	.BOLT	2	
10	01547-0625A	.BOLT	3	
11	09408-00184	.CLAMP	1	
12	33800-89L00	.CABLE SET, STARTER	1	
13	33810-89L01	..CABLE, STARTER	1	
14	36617-89L10	..BRACKET, HARNESS	1	
15	37161-89L00	..SWITCH ASSY, STARTER	1	
16	09407-14403	..CLAMP (L:125)	1	
17	01547-06167	..BOLT	2	
18	09407-14407	..CLAMP (L:145)	1	
19	36610-89L02	.HARNESS ASSY, WIRING	1	
20	38860-76F01	.RELAY ASSY	1	
21	38915-90J00	.HOLDER, RELAY	1	
22	09407-14407	..CLAMP (L:145)	11	
23	12700-89L20	.CAMSHAFT ASSY	1	
24	33920-89L21	UNIT, ENGINE CONTROL	1	

FIG.219

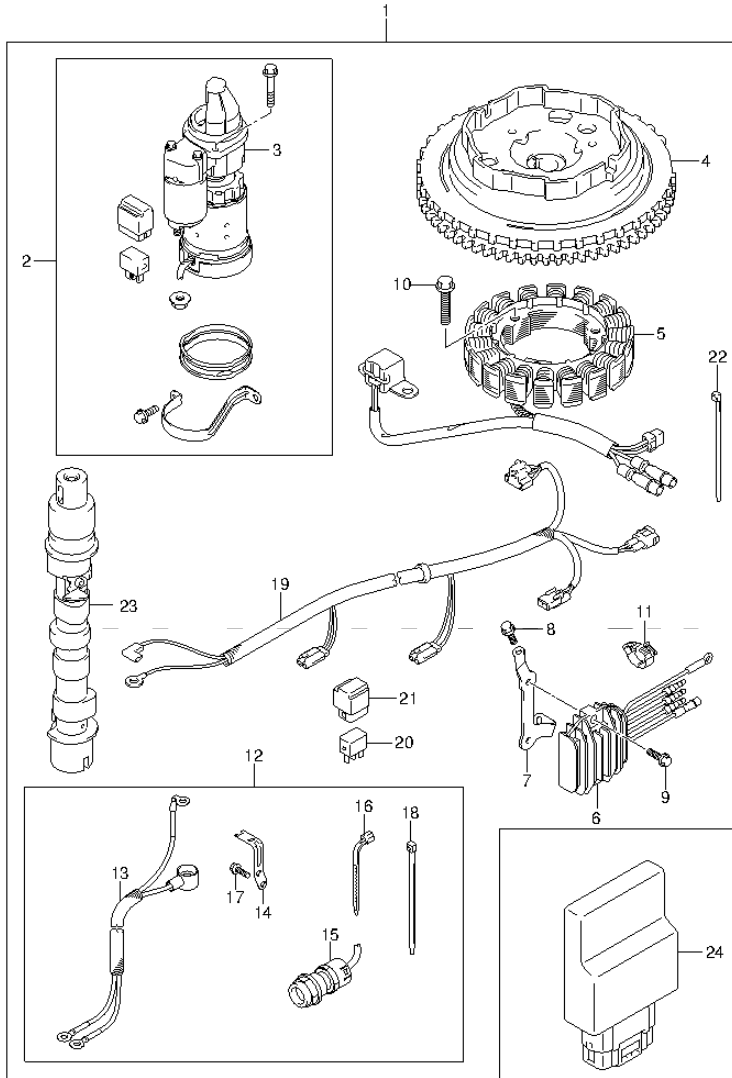


FIG.219 (2-H-10) OPT:STARTING MOTOR (MANUAL STARTER) (DF20A P40)

REF NO.	PART NO.	DESCRIPTION	Q'TY	REMARKS
1	31000-89L02	STARTER SET, ELECTRIC	1	
2	31101-89L00	.MOTOR SET, STARTING	1	
3	31100-94J21	..MOTOR ASSY, STARTING	1	
4	32102-89L00	.FLYWHEEL, MAGNETO	1	
5	32120-89L00	.COIL, STATOR & PULSER	1	
6	32800-89L00	.RECTIFIER/REGULATOR ASSY	1	
7	32815-89L00	.BRACKET, RECTIFIER	1	
8	01550-06167	.BOLT	1	
9	01550-06207	.BOLT	2	
10	01547-0625A	.BOLT	3	
11	09408-00184	.CLAMP	1	
12	33800-89L00	.CABLE SET, STARTER	1	
13	33810-89L01	..CABLE, STARTER	1	
14	36617-89L10	..BRACKET, HARNESS	1	
15	37161-89L00	..SWITCH ASSY, STARTER	1	
16	09407-14403	..CLAMP (L:125)	1	
17	01547-06167	..BOLT	2	
18	09407-14407	..CLAMP (L:145)	1	
19	36610-89L02	.HARNESS ASSY, WIRING	1	
20	38860-76F01	.RELAY ASSY	1	
21	38915-90J00	.HOLDER, RELAY	1	
22	09407-14407	..CLAMP (L:145)	11	
23	12700-89L20	.CAMSHAFT ASSY	1	
24	33920-89L60	UNIT, ENGINE CONTROL	1	

FIG.220

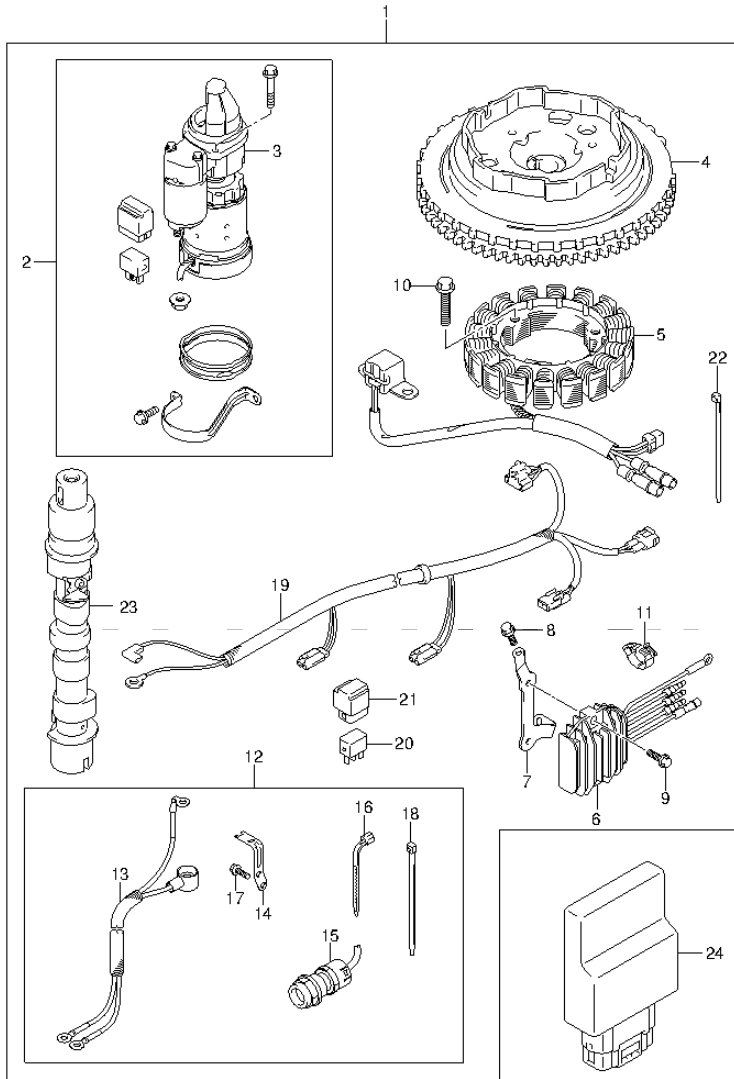


FIG.220 (2-H-11) OPT:STARTING MOTOR (MANUAL STARTER) (DF20AR P01)

REF NO.	PART NO.	DESCRIPTION	Q'TY	REMARKS
1	31000-89L02	STARTER SET, ELECTRIC	1	
2	31101-89L00	.MOTOR SET, STARTING	1	
3	31100-94J21	..MOTOR ASSY, STARTING	1	
4	32102-89L00	.FLYWHEEL, MAGNETO	1	
5	32120-89L00	.COIL, STATOR & PULSER	1	
6	32800-89L00	.RECTIFIER/REGULATOR ASSY	1	
7	32815-89L00	.BRACKET, RECTIFIER	1	
8	01550-06167	.BOLT	1	
9	01550-06207	.BOLT	2	
10	01547-0625A	.BOLT	3	
11	09408-00184	.CLAMP	1	
12	33800-89L00	.CABLE SET, STARTER	1	
13	33810-89L01	..CABLE, STARTER	1	
14	36617-89L10	..BRACKET, HARNESS	1	
15	37161-89L00	..SWITCH ASSY, STARTER	1	
16	09407-14403	..CLAMP (L:125)	1	
17	01547-06167	..BOLT	2	
18	09407-14407	..CLAMP (L:145)	1	
19	36610-89L02	.HARNESS ASSY, WIRING	1	
20	38860-76F01	.RELAY ASSY	1	
21	38915-90J00	.HOLDER, RELAY	1	
22	09407-14407	..CLAMP (L:145)	11	
23	12700-89L20	.CAMSHAFT ASSY	1	
24	33920-89L21	UNIT, ENGINE CONTROL	1	

FIG.221

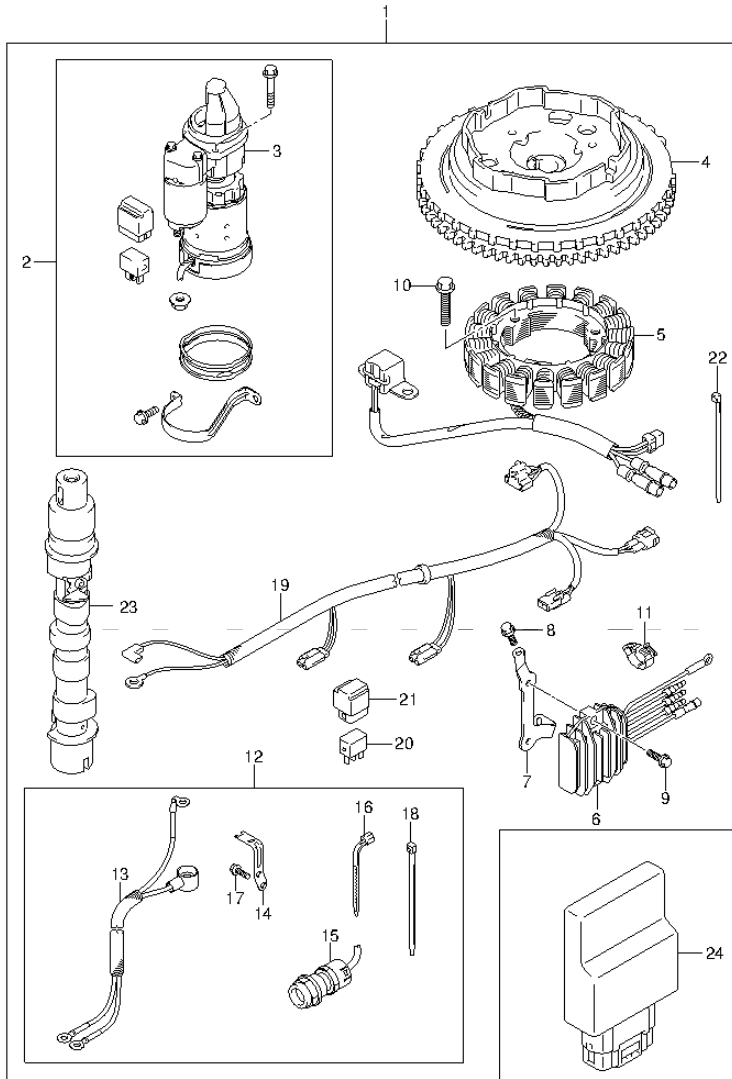


FIG.221 (2-H-12) OPT:STARTING MOTOR (MANUAL STARTER) (DF20AT P01)

REF NO.	PART NO.	DESCRIPTION	Q'TY	REMARKS
1	31000-89L02	STARTER SET, ELECTRIC	1	
2	31101-89L00	.MOTOR SET, STARTING	1	
3	31100-94J21	..MOTOR ASSY, STARTING	1	
4	32102-89L00	.FLYWHEEL, MAGNETO	1	
5	32120-89L00	.COIL, STATOR & PULSER	1	
6	32800-89L00	.RECTIFIER/REGULATOR ASSY	1	
7	32815-89L00	.BRACKET, RECTIFIER	1	
8	01550-06167	.BOLT	1	
9	01550-06207	.BOLT	2	
10	01547-0625A	.BOLT	3	
11	09408-00184	.CLAMP	1	
12	33800-89L00	.CABLE SET, STARTER	1	
13	33810-89L01	..CABLE, STARTER	1	
14	36617-89L10	..BRACKET, HARNESS	1	
15	37161-89L00	..SWITCH ASSY, STARTER	1	
16	09407-14403	..CLAMP (L:125)	1	
17	01547-06167	..BOLT	2	
18	09407-14407	..CLAMP (L:145)	1	
19	36610-89L02	.HARNESS ASSY, WIRING	1	
20	38860-76F01	.RELAY ASSY	1	
21	38915-90J00	.HOLDER, RELAY	1	
22	09407-14407	..CLAMP (L:145)	11	
23	12700-89L20	.CAMSHAFT ASSY	1	
24	33920-89L21	UNIT, ENGINE CONTROL	1	

FIG.222

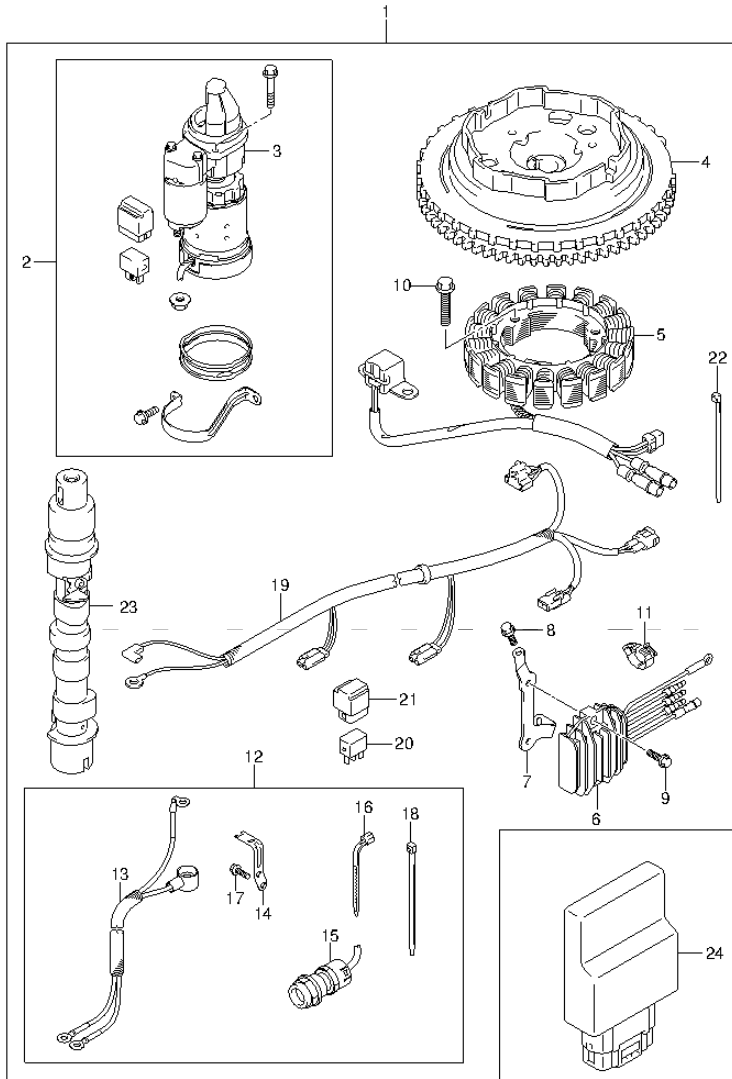


FIG.222 (2-H-13) OPT:STARTING MOTOR (MANUAL STARTER) (DF20ATH P01)

REF NO.	PART NO.	DESCRIPTION	Q'TY	REMARKS
1	31000-89L02	STARTER SET, ELECTRIC	1	
2	31101-89L00	.MOTOR SET, STARTING	1	
3	31100-94J21	..MOTOR ASSY, STARTING	1	
4	32102-89L00	.FLYWHEEL, MAGNETO	1	
5	32120-89L00	.COIL, STATOR & PULSER	1	
6	32800-89L00	.RECTIFIER/REGULATOR ASSY	1	
7	32815-89L00	.BRACKET, RECTIFIER	1	
8	01550-06167	.BOLT	1	
9	01550-06207	.BOLT	2	
10	01547-0625A	.BOLT	3	
11	09408-00184	.CLAMP	1	
12	33800-89L00	.CABLE SET, STARTER	1	
13	33810-89L01	..CABLE, STARTER	1	
14	36617-89L10	..BRACKET, HARNESS	1	
15	37161-89L00	..SWITCH ASSY, STARTER	1	
16	09407-14403	..CLAMP (L:125)	1	
17	01547-06167	..BOLT	2	
18	09407-14407	..CLAMP (L:145)	1	
19	36610-89L02	.HARNESS ASSY, WIRING	1	
20	38860-76F01	.RELAY ASSY	1	
21	38915-90J00	.HOLDER, RELAY	1	
22	09407-14407	..CLAMP (L:145)	11	
23	12700-89L20	.CAMSHAFT ASSY	1	
24	33920-89L21	UNIT, ENGINE CONTROL	1	

FIG.223

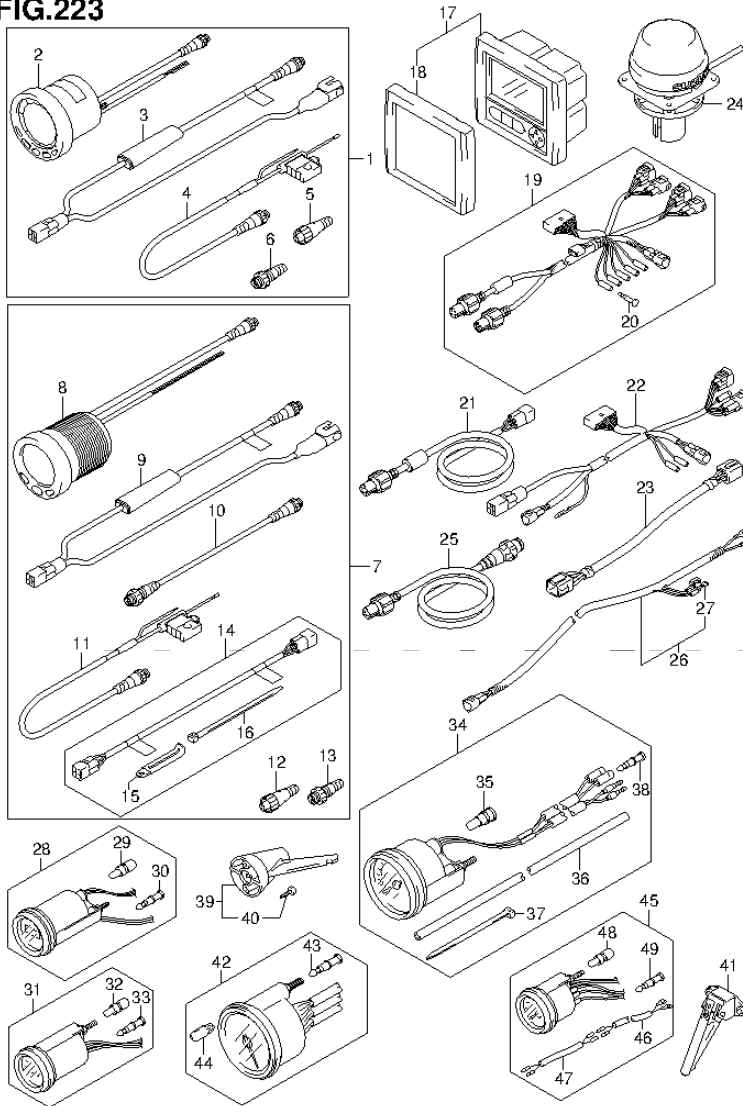


FIG.223 (2-H-14) OPT:METER (DF9.9BR P01)

REF NO.	PART NO.	DESCRIPTION	Q'TY	REMARKS
1	34011-88L02	KIT, 4 IN MULTI GAUGE	1	
2	34200-88L02	.GAUGE ASSY, 4 IN MULTI	1	
3	34922-88L01	.UNIT, INTERFACE	1	
4	36663-88L00	.HARNESS ASSY, NETWORK POWER	1	
5	36665-88L00	.UNIT, RESISTOR FEMALE	1	
6	36665-88L10	.UNIT, RESISTOR MALE	1	
7	34011-89L00	KIT, 2 IN MULTI GAUGE	1	
8	34800-88L01	.GAUGE ASSY, 2 IN MULTI	1	
9	34922-88L01	.UNIT, INTERFACE	1	
10	36662-88L00	.WIRE, 25 EXTENSION	1	
11	36663-88L00	.HARNESS ASSY, NETWORK POWER	1	
12	36665-88L00	.UNIT, RESISTOR FEMALE	1	
13	36665-88L10	.UNIT, RESISTOR MALE	1	
14	36660-89L00	.SET, ENG TO INTERFACE WIRE	1	
15	29404-93J10	.CLAMP	1	
16	09407-14407	..CLAMP (L:145)	3	
17	34200-87L12	GAUGE ASSY, MULTI	1	
18	34211-87L00	.COVER, FRONT	1	
19	36661-87L00	ADAPTER, GAUGE	1	
20	36615-96300	.TERMINAL, RESIN	5	
21	36664-87L00	ADAPTER, GAUGE DUAL STATION	1	
22	36665-87L00	ADAPTER, GAUGE FOR MULTI	1	
23	36682-92E00	WIRE, TRIM METER	1	
24	39950-87L00	MODULE ASSY, GPS RECIVER	1	
25	36666-87L00	WIRE, NETWORK	1	
26-1	36663-98J00	HARNESS, ACTIVE HUB POWER	1	2.5M
26-2	36663-98J10	HARNESS, ACTIVE HUB POWER	1	6M
27	09481-05501	.FUSE (5A)	1	
28-1	34500-93J00	METER ASSY, HOUR	1	BLACK
28-2	34500-93J11	METER ASSY, HOUR	1	WHITE
29	09471-12103	.BULB (12V,3W,T6.5)	1	
30	36615-96300	.TERMINAL	4	
31-1	34600-93J00	METER ASSY, VOLTAGE	1	BLACK
31-2	34600-93J11	METER ASSY, VOLTAGE	1	WHITE

FIG.223

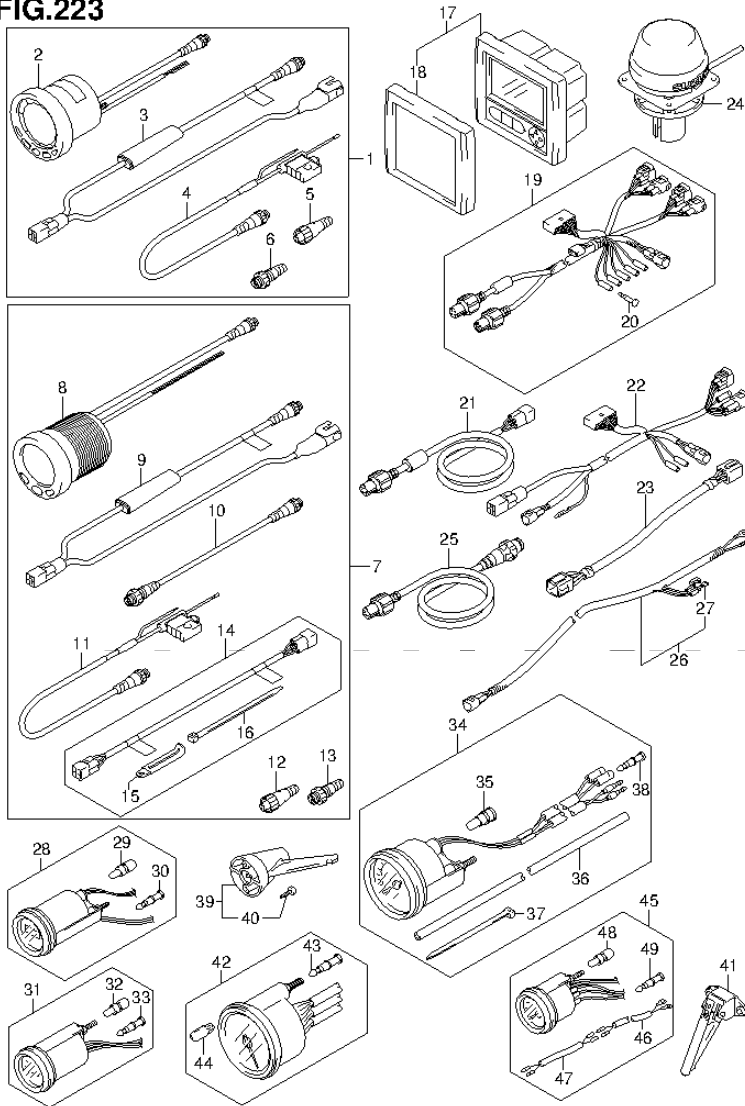


FIG.223 (2-H-15) OPT:METER (DF9.9BR P01)

REF NO.	PART NO.	DESCRIPTION	Q'TY	REMARKS
32	09471-12103	.BULB (12V,3W,T6.5)	1	
33	36615-96300	.TERMINAL	4	
34-1	34100-93J20	SPEEDOMETER ASSY	1	MAX 80KM/H BLACK
34-2	34100-93J31	SPEEDOMETER ASSY	1	MAX 80KM/H WHITE
34-3	34100-93J40	SPEEDOMETER ASSY	1	MAX 45KNOTS BLACK
34-4	34100-93J51	SPEEDOMETER ASSY	1	MAX 45KNOTS WHITE
35	09471-12028	.BULB (12V,3.4W)	1	
36	34191-92E00	.TUBE	1	
37	09407-14407	.CLAMP (L:145)	2	
38	36615-96300	.TERMINAL, RESIN	2	
39	34190-95500	SENDER ASSY, SPEEDOMETER	1	
40	03112-06303	.SCREW	2	
41	34190-87D00	SENDER ASSY, SPEEDOMETER	1	
42-1	34200-93J20	TACHOMETER ASSY	1	BLACK
42-2	34200-93J31	TACHOMETER ASSY	1	WHITE
43	36615-96300	.TERMINAL	4	
44	09471-12028	.BULB (12V,3.4W)	1	
45-1	34300-93J00	GAUGE ASSY, FUEL	1	BLACK
45-2	34300-93J11	GAUGE ASSY, FUEL	1	WHITE
46	34310-92E00	.LEAD, FUEL GAUGE	1	
47	34360-92E00	.ADAPTER, FUEL GAUGE	1	
48	09471-12103	.BULB (12V,3W,T6.5)	1	
49	36615-96300	.TERMINAL	5	

FIG.224

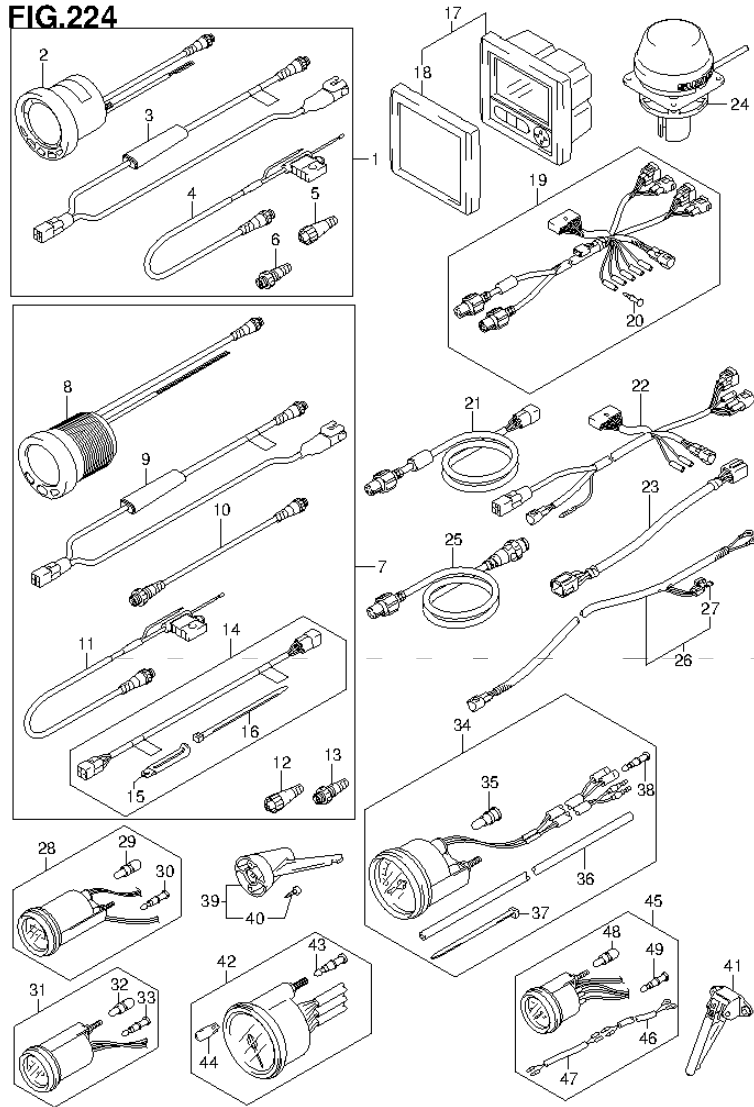


FIG.224 (2-I-2) OPT:METER (DF9.9BT P01)

REF NO.	PART NO.	DESCRIPTION	Q'TY	REMARKS
1	34011-88L02	KIT, 4 IN MULTI GAUGE	1	
2	34200-88L02	.GAUGE ASSY, 4 IN MULTI	1	
3	34922-88L01	.UNIT, INTERFACE	1	
4	36663-88L00	.HARNESS ASSY, NETWORK POWER	1	
5	36665-88L00	.UNIT, RESISTOR FEMALE	1	
6	36665-88L10	.UNIT, RESISTOR MALE	1	
7	34011-89L00	KIT, 2 IN MULTI GAUGE	1	
8	34800-88L01	.GAUGE ASSY, 2 IN MULTI	1	
9	34922-88L01	.UNIT, INTERFACE	1	
10	36662-88L00	.WIRE, 25 EXTENSION	1	
11	36663-88L00	.HARNESS ASSY, NETWORK POWER	1	
12	36665-88L00	.UNIT, RESISTOR FEMALE	1	
13	36665-88L10	.UNIT, RESISTOR MALE	1	
14	36660-89L00	.SET, ENG TO INTERFACE WIRE	1	
15	29404-93J10	.CLAMP	1	
16	09407-14407	..CLAMP (L:145)	3	
17	34200-87L12	GAUGE ASSY, MULTI	1	
18	34211-87L00	.COVER, FRONT	1	
19	36661-87L00	ADAPTER, GAUGE	1	
20	36615-96300	.TERMINAL, RESIN	5	
21	36664-87L00	ADAPTER, GAUGE DUAL STATION	1	
22	36665-87L00	ADAPTER, GAUGE FOR MULTI	1	
23	36682-92E00	WIRE, TRIM METER	1	
24	39950-87L00	MODULE ASSY, GPS RECIVER	1	
25	36666-87L00	WIRE, NETWORK	1	
26-1	36663-98J00	HARNESS, ACTIVE HUB POWER	1	2.5M
26-2	36663-98J10	HARNESS, ACTIVE HUB POWER	1	6M
27	09481-05501	.FUSE (5A)	1	
28-1	34500-93J00	METER ASSY, HOUR	1	BLACK
28-2	34500-93J11	METER ASSY, HOUR	1	WHITE
29	09471-12103	.BULB (12V,3W,T6.5)	1	
30	36615-96300	.TERMINAL	4	
31-1	34600-93J00	METER ASSY, VOLTAGE	1	BLACK
31-2	34600-93J11	METER ASSY, VOLTAGE	1	WHITE

FIG.224

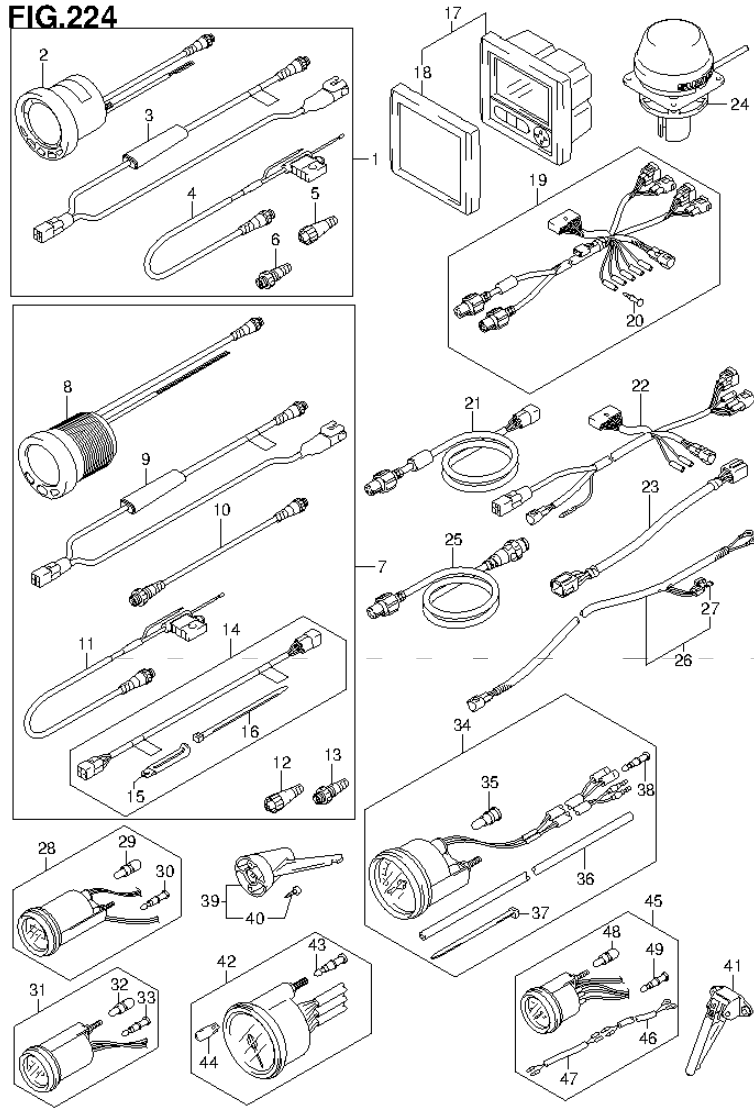


FIG.224 (2-I-3) OPT:METER (DF9.9BT P01)

REF NO.	PART NO.	DESCRIPTION	Q'TY	REMARKS
32	09471-12103	.BULB (12V,3W,T6.5)	1	
33	36615-96300	.TERMINAL	4	
34-1	34100-93J20	SPEEDOMETER ASSY	1	MAX 80KM/H BLACK
34-2	34100-93J31	SPEEDOMETER ASSY	1	MAX 80KM/H WHITE
34-3	34100-93J40	SPEEDOMETER ASSY	1	MAX 45KNOTS BLACK
34-4	34100-93J51	SPEEDOMETER ASSY	1	MAX 45KNOTS WHITE
35	09471-12028	.BULB (12V,3.4W)	1	
36	34191-92E00	.TUBE	1	
37	09407-14407	.CLAMP (L:145)	2	
38	36615-96300	.TERMINAL, RESIN	2	
39	34190-95500	SENDER ASSY, SPEEDOMETER	1	
40	03112-06303	.SCREW	2	
41	34190-87D00	SENDER ASSY, SPEEDOMETER	1	
42-1	34200-93J20	TACHOMETER ASSY	1	BLACK
42-2	34200-93J31	TACHOMETER ASSY	1	WHITE
43	36615-96300	.TERMINAL	4	
44	09471-12028	.BULB (12V,3.4W)	1	
45-1	34300-93J00	GAUGE ASSY, FUEL	1	BLACK
45-2	34300-93J11	GAUGE ASSY, FUEL	1	WHITE
46	34310-92E00	.LEAD, FUEL GAUGE	1	
47	34360-92E00	.ADAPTER, FUEL GAUGE	1	
48	09471-12103	.BULB (12V,3W,T6.5)	1	
49	36615-96300	.TERMINAL	5	

FIG.225

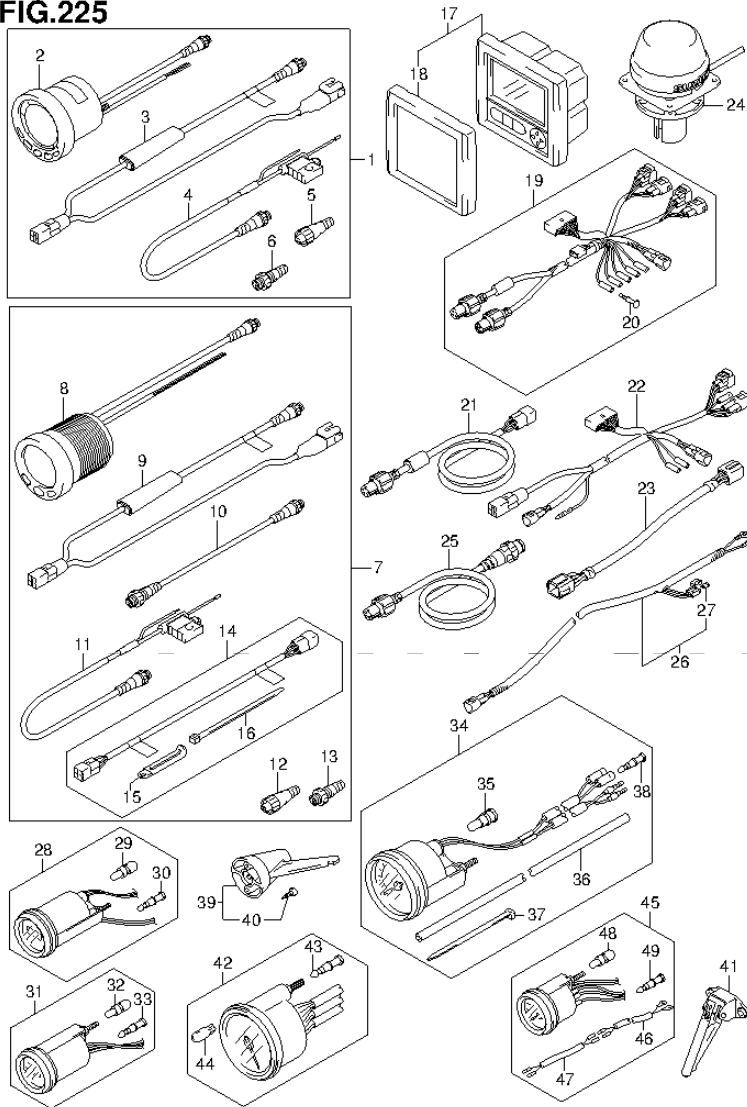


FIG.225 (2-I-4) OPT:METER (DF15AR P01)

REF NO.	PART NO.	DESCRIPTION	Q'TY	REMARKS
1	34011-88L02	KIT, 4 IN MULTI GAUGE	1	
2	34200-88L02	.GAUGE ASSY, 4 IN MULTI	1	
3	34922-88L01	.UNIT, INTERFACE	1	
4	36663-88L00	.HARNESS ASSY, NETWORK POWER	1	
5	36665-88L00	.UNIT, RESISTOR FEMALE	1	
6	36665-88L10	.UNIT, RESISTOR MALE	1	
7	34011-89L00	KIT, 2 IN MULTI GAUGE	1	
8	34800-88L01	.GAUGE ASSY, 2 IN MULTI	1	
9	34922-88L01	.UNIT, INTERFACE	1	
10	36662-88L00	.WIRE, 25 EXTENSION	1	
11	36663-88L00	.HARNESS ASSY, NETWORK POWER	1	
12	36665-88L00	.UNIT, RESISTOR FEMALE	1	
13	36665-88L10	.UNIT, RESISTOR MALE	1	
14	36660-89L00	.SET, ENG TO INTERFACE WIRE	1	
15	29404-93J10	..CLAMP	1	
16	09407-14407	..CLAMP (L:145)	3	
17	34200-87L12	GAUGE ASSY, MULTI	1	
18	34211-87L00	.COVER, FRONT	1	
19	36661-87L00	ADAPTER, GAUGE	1	
20	36615-96300	.TERMINAL, RESIN	5	
21	36664-87L00	ADAPTER, GAUGE DUAL STATION	1	
22	36665-87L00	ADAPTER, GAUGE FOR MULTI	1	
23	36682-92E00	WIRE, TRIM METER	1	
24	39950-87L00	MODULE ASSY, GPS RECIVER	1	
25	36666-87L00	WIRE, NETWORK	1	
26-1	36663-98J00	HARNESS, ACTIVE HUB POWER	1	2.5M
26-2	36663-98J10	HARNESS, ACTIVE HUB POWER	1	6M
27	09481-05501	.FUSE (5A)	1	
28-1	34500-93J00	METER ASSY, HOUR	1	BLACK
28-2	34500-93J11	METER ASSY, HOUR	1	WHITE
29	09471-12103	.BULB (12V,3W,T6.5)	1	
30	36615-96300	.TERMINAL	4	
31-1	34600-93J00	METER ASSY, VOLTAGE	1	BLACK
31-2	34600-93J11	METER ASSY, VOLTAGE	1	WHITE

FIG.225

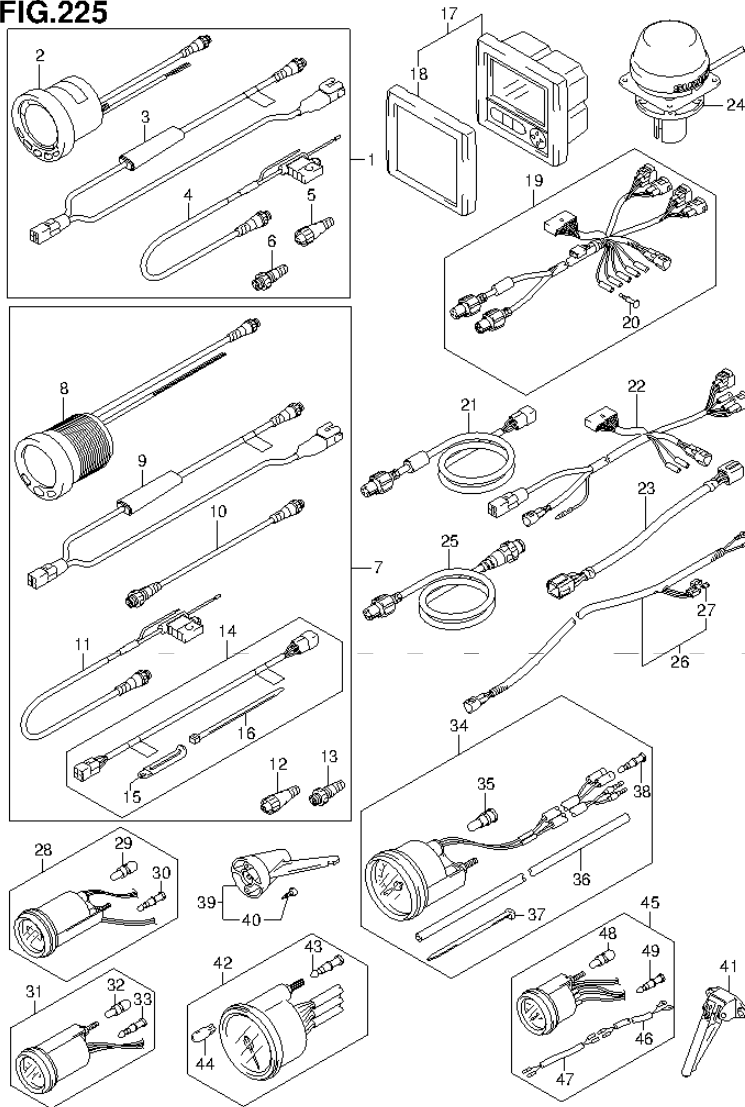


FIG.225 (2-I-5) OPT:METER (DF15AR P01)

REF NO.	PART NO.	DESCRIPTION	Q'TY	REMARKS
32	09471-12103	.BULB (12V,3W,T6.5)	1	
33	36615-96300	.TERMINAL	4	
34-1	34100-93J20	SPEEDOMETER ASSY	1	MAX 80KM/H BLACK
34-2	34100-93J31	SPEEDOMETER ASSY	1	MAX 80KM/H WHITE
34-3	34100-93J40	SPEEDOMETER ASSY	1	MAX 45KNOTS BLACK
34-4	34100-93J51	SPEEDOMETER ASSY	1	MAX 45KNOTS WHITE
35	09471-12028	.BULB (12V,3.4W)	1	
36	34191-92E00	.TUBE	1	
37	09407-14407	.CLAMP (L:145)	2	
38	36615-96300	.TERMINAL, RESIN	2	
39	34190-95500	SENDER ASSY, SPEEDOMETER	1	
40	03112-06303	.SCREW	2	
41	34190-87D00	SENDER ASSY, SPEEDOMETER	1	
42-1	34200-93J20	TACHOMETER ASSY	1	BLACK
42-2	34200-93J31	TACHOMETER ASSY	1	WHITE
43	36615-96300	.TERMINAL	4	
44	09471-12028	.BULB (12V,3.4W)	1	
45-1	34300-93J00	GAUGE ASSY, FUEL	1	BLACK
45-2	34300-93J11	GAUGE ASSY, FUEL	1	WHITE
46	34310-92E00	.LEAD, FUEL GAUGE	1	
47	34360-92E00	.ADAPTER, FUEL GAUGE	1	
48	09471-12103	.BULB (12V,3W,T6.5)	1	
49	36615-96300	.TERMINAL	5	

FIG.226

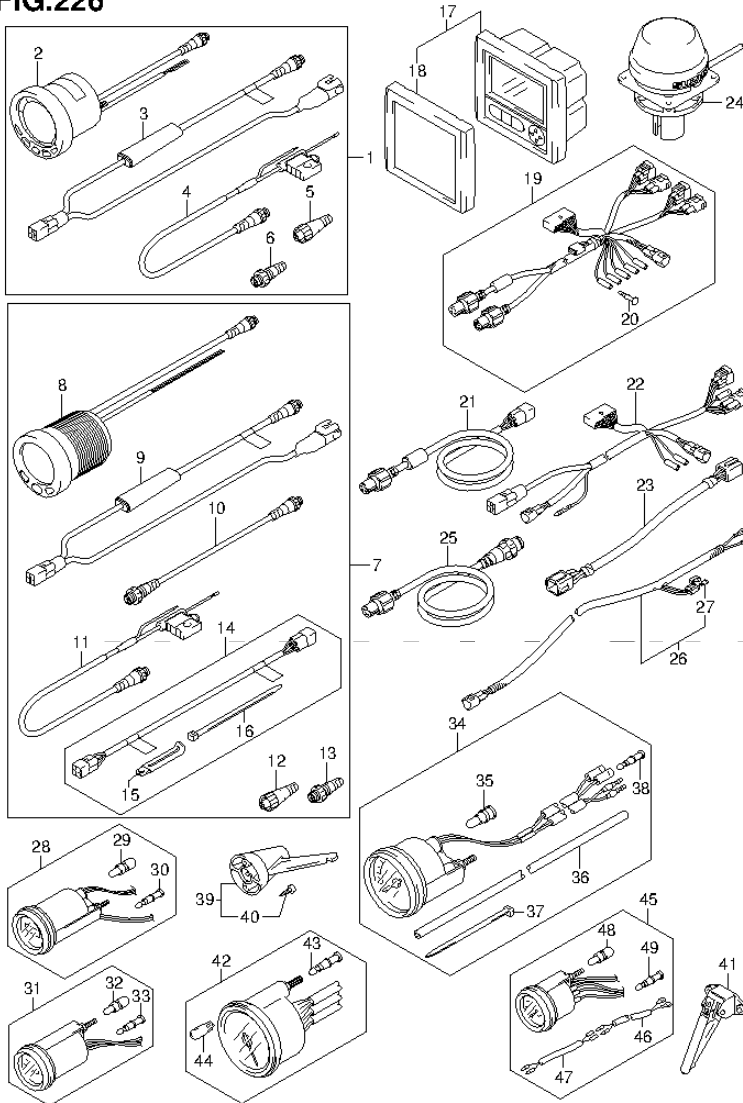


FIG.226 (2-I-6) OPT:METER (DF20AR P01)

REF NO.	PART NO.	DESCRIPTION	Q'TY	REMARKS
1	34011-88L02	KIT, 4 IN MULTI GAUGE	1	
2	34200-88L02	.GAUGE ASSY, 4 IN MULTI	1	
3	34922-88L01	.UNIT, INTERFACE	1	
4	36663-88L00	.HARNESS ASSY, NETWORK POWER	1	
5	36665-88L00	.UNIT, RESISTOR FEMALE	1	
6	36665-88L10	.UNIT, RESISTOR MALE	1	
7	34011-89L00	KIT, 2 IN MULTI GAUGE	1	
8	34800-88L01	.GAUGE ASSY, 2 IN MULTI	1	
9	34922-88L01	.UNIT, INTERFACE	1	
10	36662-88L00	.WIRE, 25 EXTENSION	1	
11	36663-88L00	.HARNESS ASSY, NETWORK POWER	1	
12	36665-88L00	.UNIT, RESISTOR FEMALE	1	
13	36665-88L10	.UNIT, RESISTOR MALE	1	
14	36660-89L00	.SET, ENG TO INTERFACE WIRE	1	
15	29404-93J10	.CLAMP	1	
16	09407-14407	..CLAMP (L:145)	3	
17	34200-87L12	GAUGE ASSY, MULTI	1	
18	34211-87L00	.COVER, FRONT	1	
19	36661-87L00	ADAPTER, GAUGE	1	
20	36615-96300	.TERMINAL, RESIN	5	
21	36664-87L00	ADAPTER, GAUGE DUAL STATION	1	
22	36665-87L00	ADAPTER, GAUGE FOR MULTI	1	
23	36682-92E00	WIRE, TRIM METER	1	
24	39950-87L00	MODULE ASSY, GPS RECIVER	1	
25	36666-87L00	WIRE, NETWORK	1	
26-1	36663-98J00	HARNESS, ACTIVE HUB POWER	1	2.5M
26-2	36663-98J10	HARNESS, ACTIVE HUB POWER	1	6M
27	09481-05501	.FUSE (5A)	1	
28-1	34500-93J00	METER ASSY, HOUR	1	BLACK
28-2	34500-93J11	METER ASSY, HOUR	1	WHITE
29	09471-12103	.BULB (12V,3W,T6.5)	1	
30	36615-96300	.TERMINAL	4	
31-1	34600-93J00	METER ASSY, VOLTAGE	1	BLACK
31-2	34600-93J11	METER ASSY, VOLTAGE	1	WHITE

FIG.226

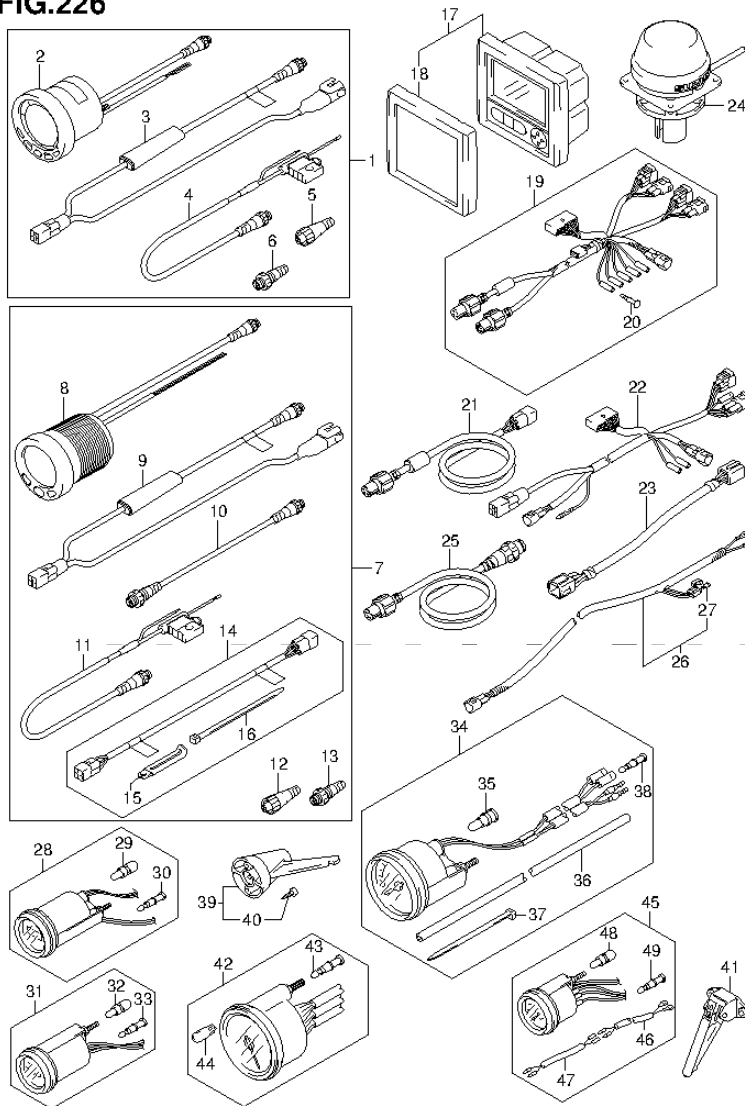


FIG.226 (2-I-7) OPT:METER (DF20AR P01)

REF NO.	PART NO.	DESCRIPTION	Q'TY	REMARKS
32	09471-12103	.BULB (12V,3W,T6.5)	1	
33	36615-96300	.TERMINAL	4	
34-1	34100-93J20	SPEEDOMETER ASSY	1	MAX 80KM/H BLACK
34-2	34100-93J31	SPEEDOMETER ASSY	1	MAX 80KM/H WHITE
34-3	34100-93J40	SPEEDOMETER ASSY	1	MAX 45KNOTS BLACK
34-4	34100-93J51	SPEEDOMETER ASSY	1	MAX 45KNOTS WHITE
35	09471-12028	.BULB (12V,3.4W)	1	
36	34191-92E00	.TUBE	1	
37	09407-14407	.CLAMP (L:145)	2	
38	36615-96300	.TERMINAL, RESIN	2	
39	34190-95500	SENDER ASSY, SPEEDOMETER	1	
40	03112-06303	.SCREW	2	
41	34190-87D00	SENDER ASSY, SPEEDOMETER	1	
42-1	34200-93J20	TACHOMETER ASSY	1	BLACK
42-2	34200-93J31	TACHOMETER ASSY	1	WHITE
43	36615-96300	.TERMINAL	4	
44	09471-12028	.BULB (12V,3.4W)	1	
45-1	34300-93J00	GAUGE ASSY, FUEL	1	BLACK
45-2	34300-93J11	GAUGE ASSY, FUEL	1	WHITE
46	34310-92E00	.LEAD, FUEL GAUGE	1	
47	34360-92E00	.ADAPTER, FUEL GAUGE	1	
48	09471-12103	.BULB (12V,3W,T6.5)	1	
49	36615-96300	.TERMINAL	5	

FIG.227

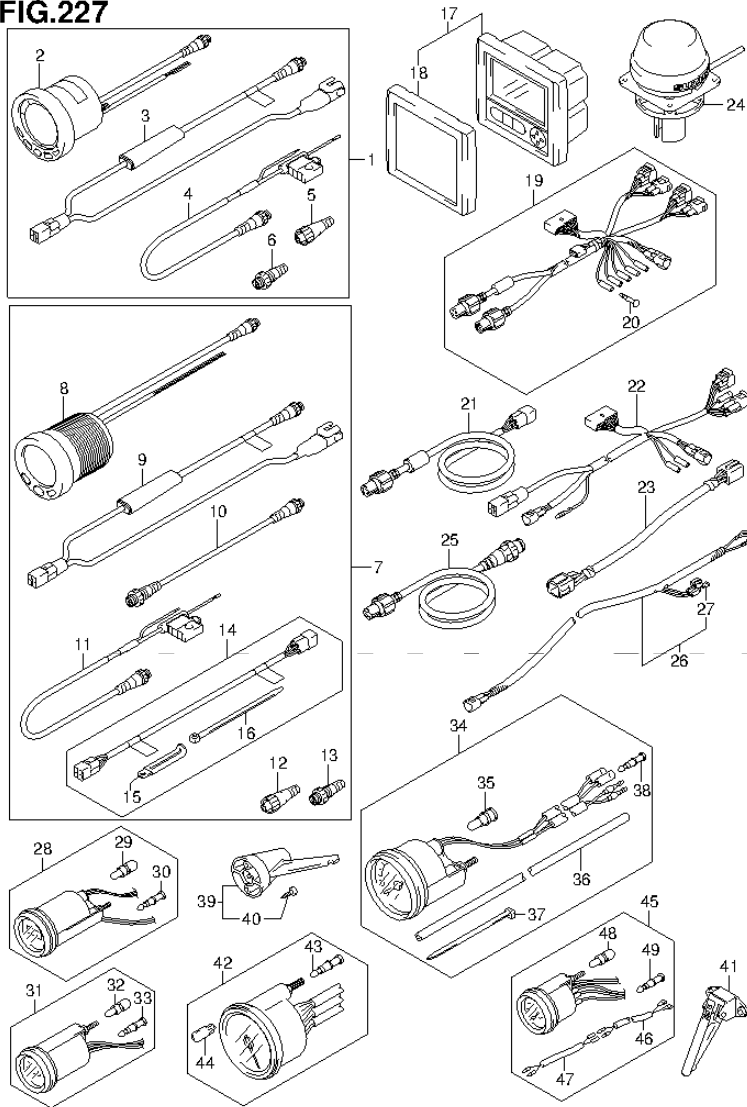


FIG.227 (2-I-8) OPT:METER (DF20AT P01)

REF NO.	PART NO.	DESCRIPTION	Q'TY	REMARKS
1	34011-88L02	KIT, 4 IN MULTI GAUGE	1	
2	34200-88L02	.GAUGE ASSY, 4 IN MULTI	1	
3	34922-88L01	.UNIT, INTERFACE	1	
4	36663-88L00	.HARNES ASSY, NETWORK POWER	1	
5	36665-88L00	.UNIT, RESISTOR FEMALE	1	
6	36665-88L10	.UNIT, RESISTOR MALE	1	
7	34011-89L00	KIT, 2 IN MULTI GAUGE	1	
8	34800-88L01	.GAUGE ASSY, 2 IN MULTI	1	
9	34922-88L01	.UNIT, INTERFACE	1	
10	36662-88L00	.WIRE, 25 EXTENSION	1	
11	36663-88L00	.HARNES ASSY, NETWORK POWER	1	
12	36665-88L00	.UNIT, RESISTOR FEMALE	1	
13	36665-88L10	.UNIT, RESISTOR MALE	1	
14	36660-89L00	.SET, ENG TO INTERFACE WIRE	1	
15	29404-93J10	.CLAMP	1	
16	09407-14407	..CLAMP (L:145)	3	
17	34200-87L12	GAUGE ASSY, MULTI	1	
18	34211-87L00	.COVER, FRONT	1	
19	36661-87L00	ADAPTER, GAUGE	1	
20	36615-96300	.TERMINAL, RESIN	5	
21	36664-87L00	ADAPTER, GAUGE DUAL STATION	1	
22	36665-87L00	ADAPTER, GAUGE FOR MULTI	1	
23	36682-92E00	WIRE, TRIM METER	1	
24	39950-87L00	MODULE ASSY, GPS RECIVER	1	
25	36666-87L00	WIRE, NETWORK	1	
26-1	36663-98J00	HARNES, ACTIVE HUB POWER	1	2.5M
26-2	36663-98J10	HARNES, ACTIVE HUB POWER	1	6M
27	09481-05501	.FUSE (5A)	1	
28-1	34500-93J00	METER ASSY, HOUR	1	BLACK
28-2	34500-93J11	METER ASSY, HOUR	1	WHITE
29	09471-12103	.BULB (12V,3W,T6.5)	1	
30	36615-96300	.TERMINAL	4	
31-1	34600-93J00	METER ASSY, VOLTAGE	1	BLACK
31-2	34600-93J11	METER ASSY, VOLTAGE	1	WHITE

FIG.227

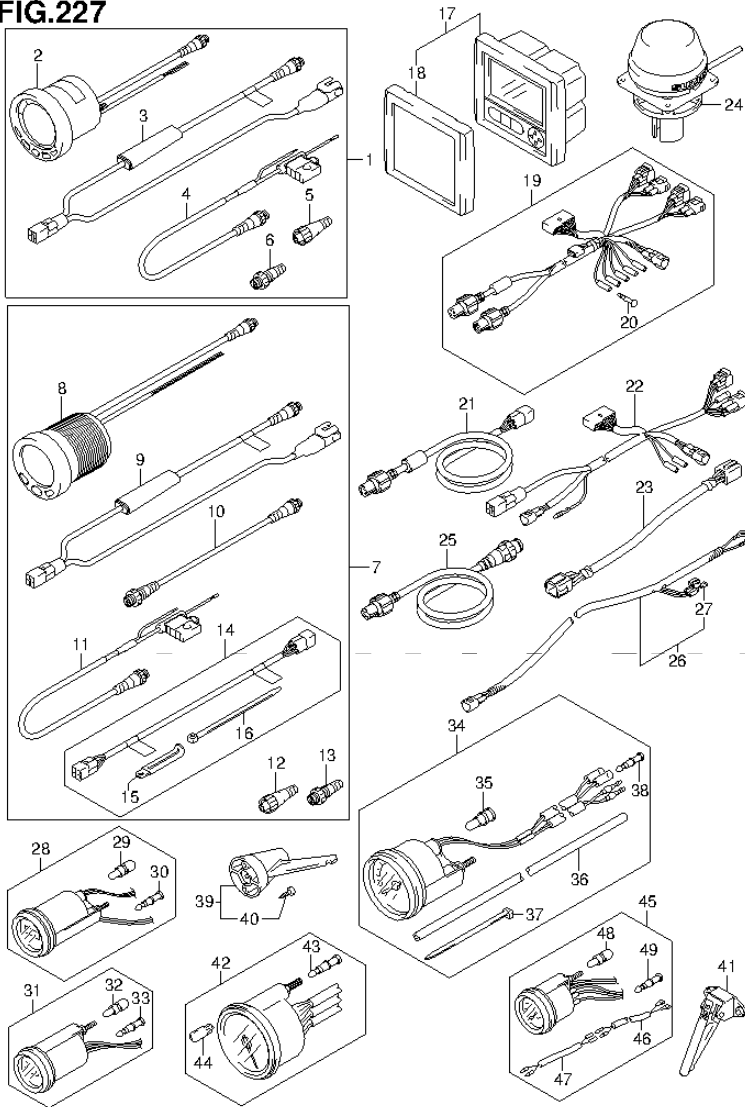


FIG.227 (2-I-9) OPT:METER (DF20AT P01)

REF NO.	PART NO.	DESCRIPTION	Q'TY	REMARKS
32	09471-12103	.BULB (12V,3W,T6.5)	1	
33	36615-96300	.TERMINAL	4	
34-1	34100-93J20	SPEEDOMETER ASSY	1	MAX 80KM/H BLACK
34-2	34100-93J31	SPEEDOMETER ASSY	1	MAX 80KM/H WHITE
34-3	34100-93J40	SPEEDOMETER ASSY	1	MAX 45KNOTS BLACK
34-4	34100-93J51	SPEEDOMETER ASSY	1	MAX 45KNOTS WHITE
35	09471-12028	.BULB (12V,3.4W)	1	
36	34191-92E00	.TUBE	1	
37	09407-14407	.CLAMP (L:145)	2	
38	36615-96300	.TERMINAL, RESIN	2	
39	34190-95500	SENDER ASSY, SPEEDOMETER	1	
40	03112-06303	.SCREW	2	
41	34190-87D00	SENDER ASSY, SPEEDOMETER	1	
42-1	34200-93J20	TACHOMETER ASSY	1	BLACK
42-2	34200-93J31	TACHOMETER ASSY	1	WHITE
43	36615-96300	.TERMINAL	4	
44	09471-12028	.BULB (12V,3.4W)	1	
45-1	34300-93J00	GAUGE ASSY, FUEL	1	BLACK
45-2	34300-93J11	GAUGE ASSY, FUEL	1	WHITE
46	34310-92E00	.LEAD, FUEL GAUGE	1	
47	34360-92E00	.ADAPTER, FUEL GAUGE	1	
48	09471-12103	.BULB (12V,3W,T6.5)	1	
49	36615-96300	.TERMINAL	5	

FIG.228

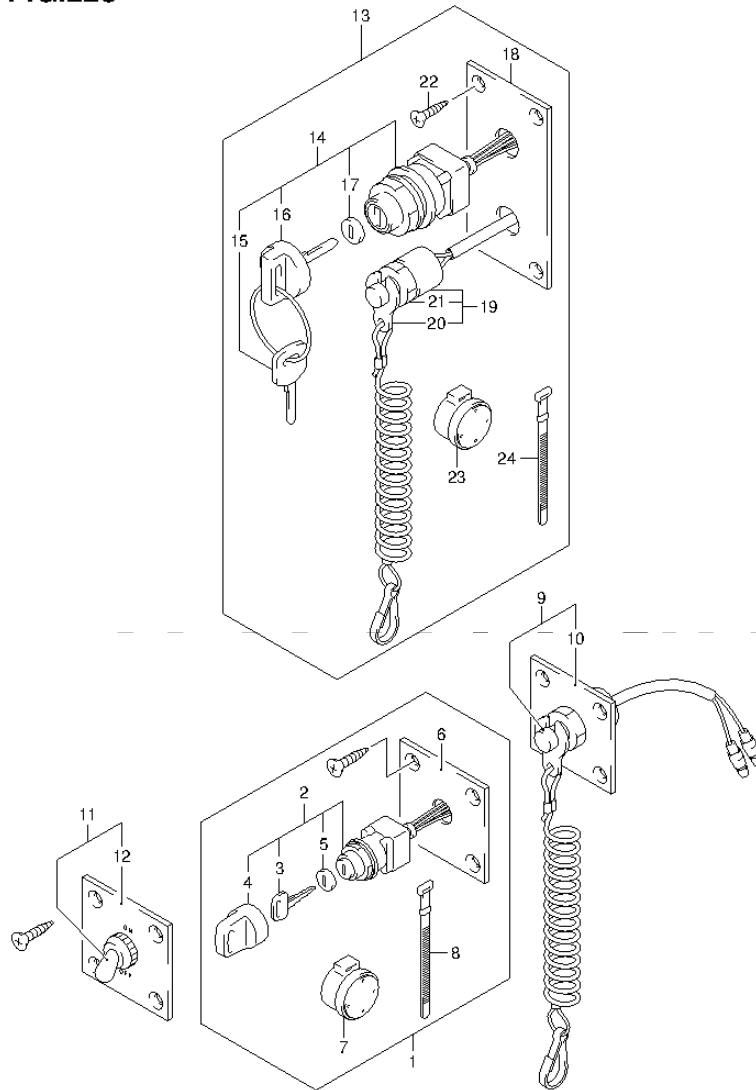


FIG.228 (2-I-10) OPT:SWITCH (DF9.9BR P01)

REF NO.	PART NO.	DESCRIPTION	Q'TY	REMARKS
1	37100-96J00	PANEL ASSY, IGNITION SW	1	
2	37110-93J01	.SWITCH ASSY, IGNITION	1	
3-1	37141-99E00	..KEY (931)	2	
3-2	37141-99E10	..KEY (932)	2	
3-3	37141-99E20	..KEY (933)	2	
3-4	37141-99E30	..KEY (934)	2	
3-5	37141-99E40	..KEY (935)	2	
3-6	37141-99E50	..KEY (936)	2	
3-7	37141-99E60	..KEY (937)	2	
3-8	37141-99E70	..KEY (938)	2	
3-9	37141-99E80	..KEY (939)	2	
3-10	37141-99E90	..KEY (940)	2	
3-11	37141-99EA0	..KEY (941)	2	
3-12	37141-99EB0	..KEY (942)	2	
4	37143-99E00	..CAP, KEY	1	
5	37149-93J00	..CAP, CYLINDER BODY	1	
6	37139-99E00	.PANEL, IGNITION SW	1	
7	38500-93J90	.BUZZER ASSY, WARNING	1	
8	09407-08401	.CLAMP (L:80)	1	
9	37803-93J03	PANEL ASSY, EMERGENCY SW	1	
10	37825-99E00	.PANEL, EMERGENCY SW	1	
11	37210-93J00	PANEL ASSY, LIGHTING SW	1	
12	37212-93J00	.PANEL, LIGHTING SW	1	

FIG.228

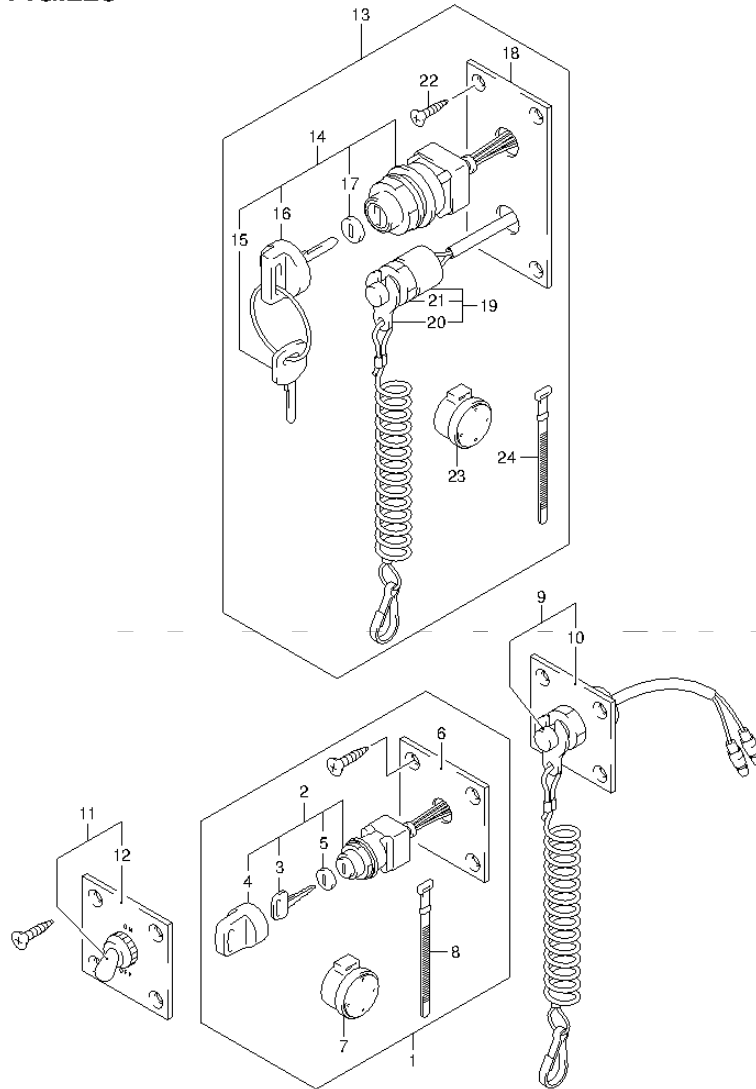


FIG.228 (2-I-11) OPT:SWITCH (DF9.9BR P01)

REF NO.	PART NO.	DESCRIPTION	Q'TY	REMARKS
13	37100-96J23	PANEL ASSY, ENGINE SW	1	
14	37110-93J01	.SWITCH ASSY, IGNITION	1	
15-1	37141-99E00	..KEY (931)	2	
15-2	37141-99E10	..KEY (932)	2	
15-3	37141-99E20	..KEY (933)	2	
15-4	37141-99E30	..KEY (934)	2	
15-5	37141-99E40	..KEY (935)	2	
15-6	37141-99E50	..KEY (936)	2	
15-7	37141-99E60	..KEY (937)	2	
15-8	37141-99E70	..KEY (938)	2	
15-9	37141-99E80	..KEY (939)	2	
15-10	37141-99E90	..KEY (940)	2	
15-11	37141-99EA0	..KEY (941)	2	
15-12	37141-99EB0	..KEY (942)	2	
16	37143-99E00	..CAP, KEY	1	
17	37149-93J00	..CAP, CYLINDER BODY	1	
18	37139-99E20	.PANEL, IGNITION SWITCH	1	
19	37820-93J03	.SWITCH ASSY, EMERGENCY	1	
20	37823-92E01	..PLATE ASSY, EMERGENCY	1	
21	37826-92E00	..NUT	1	
22	03121-0516A	.SCREW	4	
23	38500-93J90	.BUZZER ASSY, WARNING	1	
24	09407-08401	.CLAMP (L:80)	1	

FIG.229

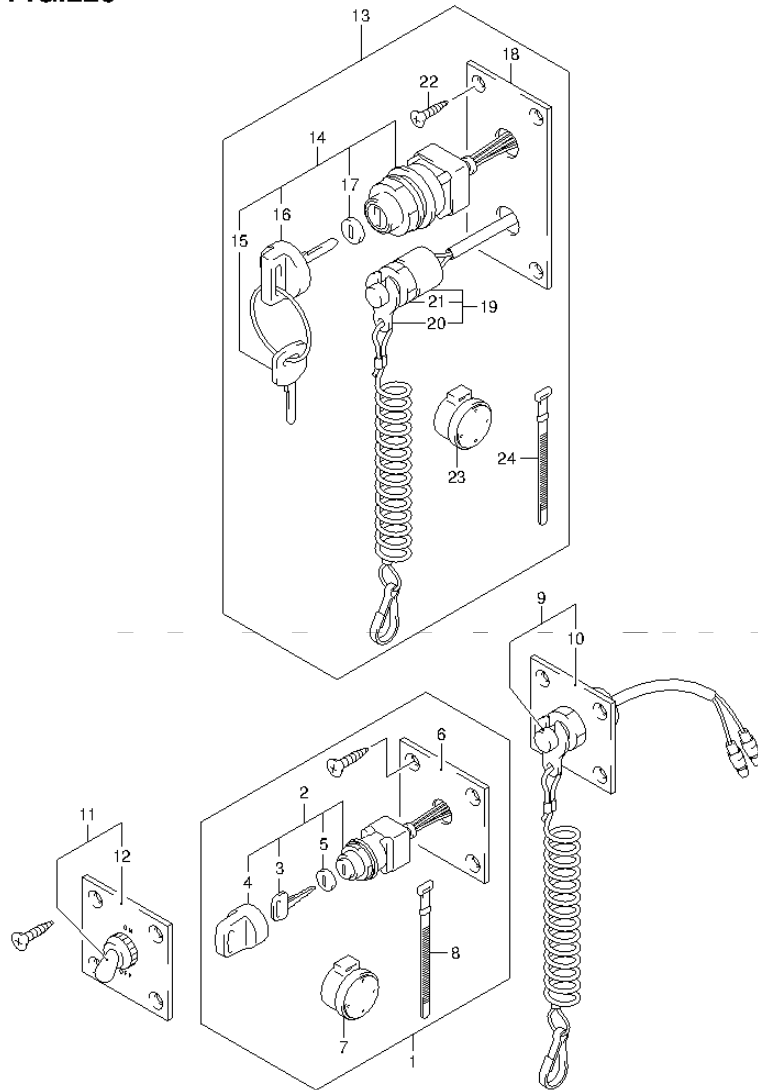


FIG.229 (2-I-12) OPT:SWITCH (DF9.9BT P01)

REF NO.	PART NO.	DESCRIPTION	Q'TY	REMARKS
1	37100-96J00	PANEL ASSY, IGNITION SW	1	
2	37110-93J01	.SWITCH ASSY, IGNITION	1	
3-1	37141-99E00	..KEY (931)	2	
3-2	37141-99E10	..KEY (932)	2	
3-3	37141-99E20	..KEY (933)	2	
3-4	37141-99E30	..KEY (934)	2	
3-5	37141-99E40	..KEY (935)	2	
3-6	37141-99E50	..KEY (936)	2	
3-7	37141-99E60	..KEY (937)	2	
3-8	37141-99E70	..KEY (938)	2	
3-9	37141-99E80	..KEY (939)	2	
3-10	37141-99E90	..KEY (940)	2	
3-11	37141-99EA0	..KEY (941)	2	
3-12	37141-99EB0	..KEY (942)	2	
4	37143-99E00	..CAP, KEY	1	
5	37149-93J00	..CAP, CYLINDER BODY	1	
6	37139-99E00	.PANEL, IGNITION SW	1	
7	38500-93J90	.BUZZER ASSY, WARNING	1	
8	09407-08401	.CLAMP (L:80)	1	
9	37803-93J03	PANEL ASSY, EMERGENCY SW	1	
10	37825-99E00	.PANEL, EMERGENCY SW	1	
11	37210-93J00	PANEL ASSY, LIGHTING SW	1	
12	37212-93J00	.PANEL, LIGHTING SW	1	

FIG.229

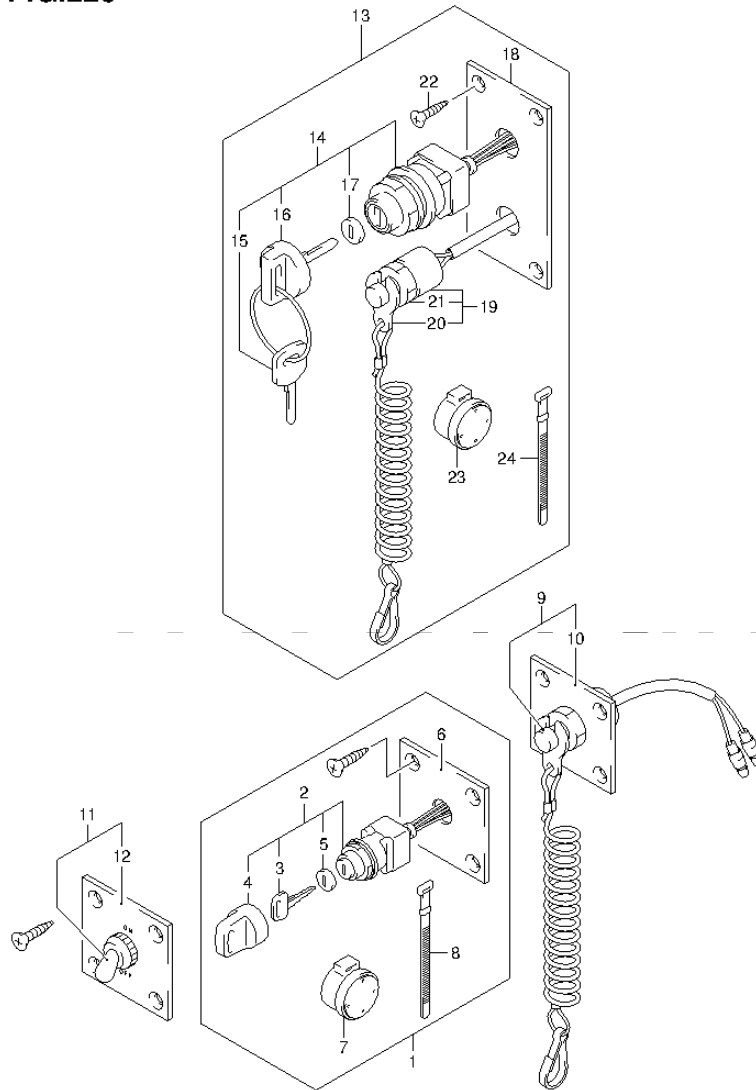
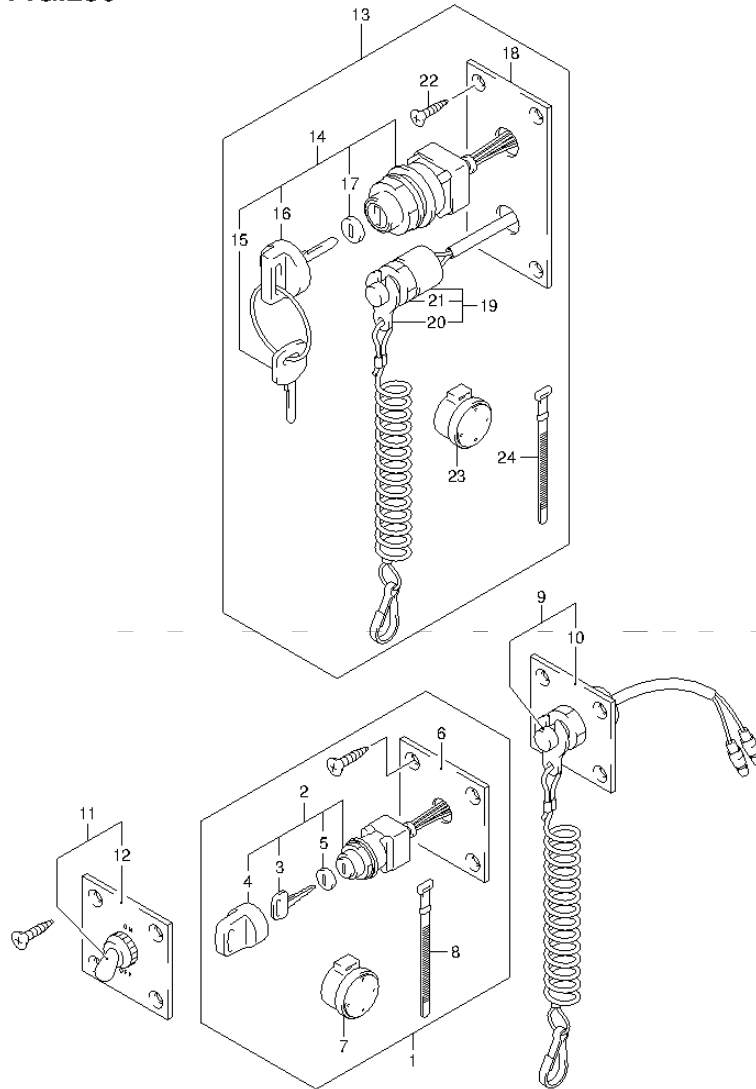


FIG.229 (2-I-13) OPT:SWITCH (DF9.9BT P01)

REF NO.	PART NO.	DESCRIPTION	Q'TY	REMARKS
13	37100-96J23	PANEL ASSY, ENGINE SW	1	
14	37110-93J01	..SWITCH ASSY, IGNITION	1	
15-1	37141-99E00	..KEY (931)	2	
15-2	37141-99E10	..KEY (932)	2	
15-3	37141-99E20	..KEY (933)	2	
15-4	37141-99E30	..KEY (934)	2	
15-5	37141-99E40	..KEY (935)	2	
15-6	37141-99E50	..KEY (936)	2	
15-7	37141-99E60	..KEY (937)	2	
15-8	37141-99E70	..KEY (938)	2	
15-9	37141-99E80	..KEY (939)	2	
15-10	37141-99E90	..KEY (940)	2	
15-11	37141-99EA0	..KEY (941)	2	
15-12	37141-99EB0	..KEY (942)	2	
16	37143-99E00	..CAP, KEY	1	
17	37149-93J00	..CAP, CYLINDER BODY	1	
18	37139-99E20	..PANEL, IGNITION SWITCH	1	
19	37820-93J03	..SWITCH ASSY, EMERGENCY	1	
20	37823-92E01	..PLATE ASSY, EMERGENCY	1	
21	37826-92E00	..NUT	1	
22	03121-0516A	..SCREW	4	
23	38500-93J90	..BUZZER ASSY, WARNING	1	
24	09407-08401	..CLAMP (L:80)	1	

FIG.230



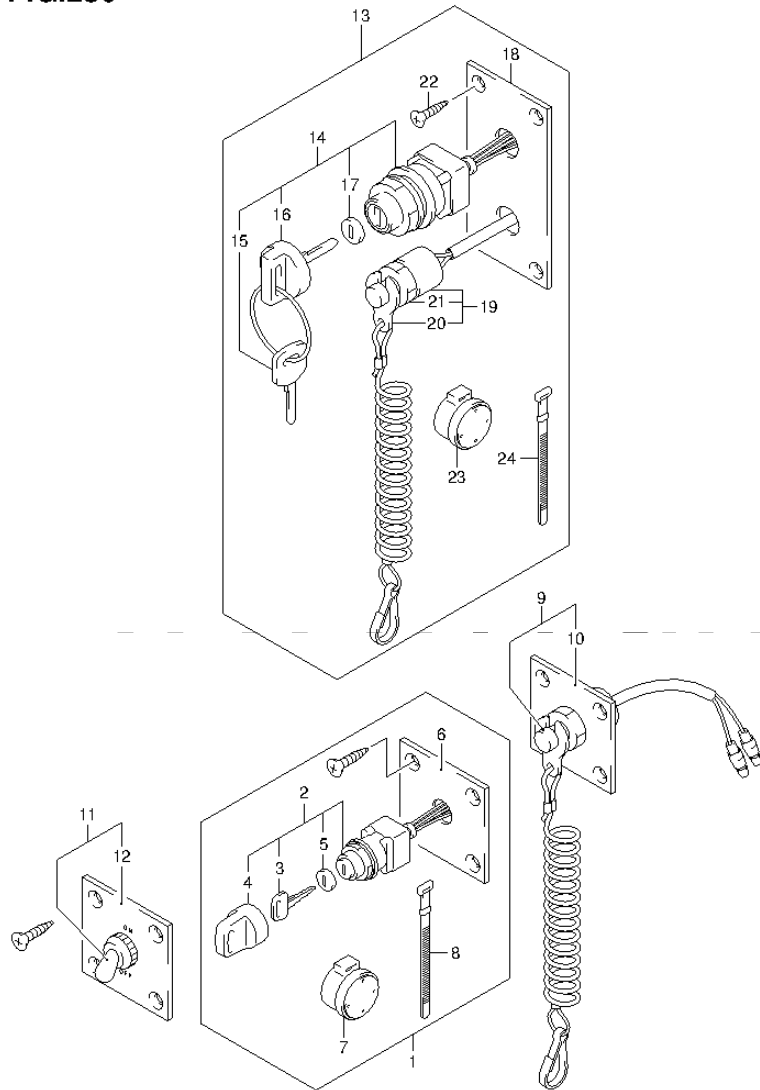
DF20A_P01_014_230
OPT:SWITCH

FIG.230 (2-I-14) OPT:SWITCH (DF15AR P01)

REF NO.	PART NO.	DESCRIPTION	Q'TY	REMARKS
1	37100-96J00	PANEL ASSY, IGNITION SW	1	
2	37110-93J01	.SWITCH ASSY, IGNITION	1	
3-1	37141-99E00	..KEY (931)	2	
3-2	37141-99E10	..KEY (932)	2	
3-3	37141-99E20	..KEY (933)	2	
3-4	37141-99E30	..KEY (934)	2	
3-5	37141-99E40	..KEY (935)	2	
3-6	37141-99E50	..KEY (936)	2	
3-7	37141-99E60	..KEY (937)	2	
3-8	37141-99E70	..KEY (938)	2	
3-9	37141-99E80	..KEY (939)	2	
3-10	37141-99E90	..KEY (940)	2	
3-11	37141-99EA0	..KEY (941)	2	
3-12	37141-99EB0	..KEY (942)	2	
4	37143-99E00	..CAP, KEY	1	
5	37149-93J00	..CAP, CYLINDER BODY	1	
6	37139-99E00	.PANEL, IGNITION SW	1	
7	38500-93J90	.BUZZER ASSY, WARNING	1	
8	09407-08401	.CLAMP (L:80)	1	
9	37803-93J03	PANEL ASSY, EMERGENCY SW	1	
10	3825-99E00	.PANEL, EMERGENCY SW	1	
11	37210-93J00	PANEL ASSY, LIGHTING SW	1	
12	37212-93J00	.PANEL, LIGHTING SW	1	

DF20A_P01_014

FIG.230



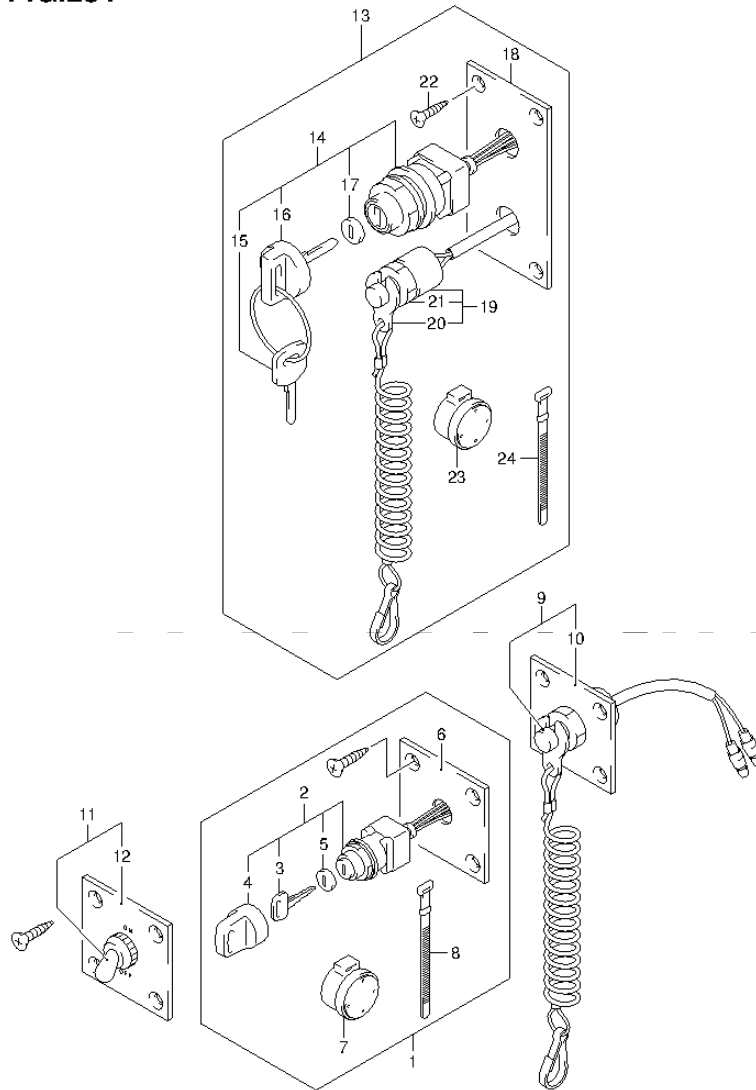
DF20A_P01_014_230
OPT:SWITCH

FIG.230 (2-I-15) OPT:SWITCH (DF15AR P01)

REF NO.	PART NO.	DESCRIPTION	Q'TY	REMARKS
13	37100-96J23	PANEL ASSY, ENGINE SW	1	
14	37110-93J01	.SWITCH ASSY, IGNITION	1	
15-1	37141-99E00	..KEY (931)	2	
15-2	37141-99E10	..KEY (932)	2	
15-3	37141-99E20	..KEY (933)	2	
15-4	37141-99E30	..KEY (934)	2	
15-5	37141-99E40	..KEY (935)	2	
15-6	37141-99E50	..KEY (936)	2	
15-7	37141-99E60	..KEY (937)	2	
15-8	37141-99E70	..KEY (938)	2	
15-9	37141-99E80	..KEY (939)	2	
15-10	37141-99E90	..KEY (940)	2	
15-11	37141-99EA0	..KEY (941)	2	
15-12	37141-99EB0	..KEY (942)	2	
16	37143-99E00	..CAP, KEY	1	
17	37149-93J00	..CAP, CYLINDER BODY	1	
18	37139-99E20	.PANEL, IGNITION SWITCH	1	
19	37820-93J03	.SWITCH ASSY, EMERGENCY	1	
20	37823-92E01	..PLATE ASSY, EMERGENCY	1	
21	37826-92E00	..NUT	1	
22	03121-0516A	.SCREW	4	
23	38500-93J90	.BUZZER ASSY, WARNING	1	
24	09407-08401	.CLAMP (L:80)	1	

DF20A_P01_014

FIG.231



DF20A_P01_014_231
OPT:SWITCH

FIG.231 (2-J-2) OPT:SWITCH (DF20AR P01)

REF NO.	PART NO.	DESCRIPTION	Q'TY	REMARKS
1	37100-96J00	PANEL ASSY, IGNITION SW	1	
2	37110-93J01	.SWITCH ASSY, IGNITION	1	
3-1	37141-99E00	..KEY (931)	2	
3-2	37141-99E10	..KEY (932)	2	
3-3	37141-99E20	..KEY (933)	2	
3-4	37141-99E30	..KEY (934)	2	
3-5	37141-99E40	..KEY (935)	2	
3-6	37141-99E50	..KEY (936)	2	
3-7	37141-99E60	..KEY (937)	2	
3-8	37141-99E70	..KEY (938)	2	
3-9	37141-99E80	..KEY (939)	2	
3-10	37141-99E90	..KEY (940)	2	
3-11	37141-99EA0	..KEY (941)	2	
3-12	37141-99EB0	..KEY (942)	2	
4	37143-99E00	..CAP, KEY	1	
5	37149-93J00	..CAP, CYLINDER BODY	1	
6	37139-99E00	.PANEL, IGNITION SW	1	
7	38500-93J90	.BUZZER ASSY, WARNING	1	
8	09407-08401	.CLAMP (L:80)	1	
9	37803-93J03	PANEL ASSY, EMERGENCY SW	1	
10	3825-99E00	.PANEL, EMERGENCY SW	1	
11	37210-93J00	PANEL ASSY, LIGHTING SW	1	
12	37212-93J00	.PANEL, LIGHTING SW	1	

DF20A_P01_014

FIG.231

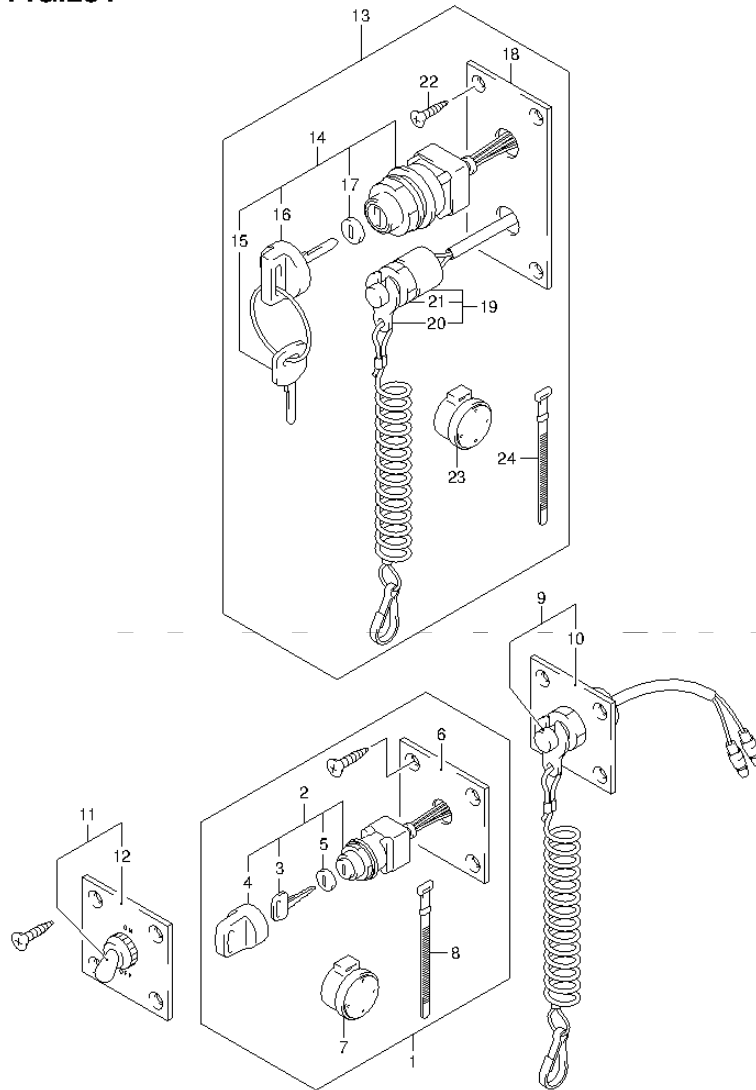


FIG.231 (2-J-3) OPT:SWITCH (DF20AR P01)

REF NO.	PART NO.	DESCRIPTION	Q'TY	REMARKS
13	37100-96J23	PANEL ASSY, ENGINE SW	1	
14	37110-93J01	..SWITCH ASSY, IGNITION	1	
15-1	37141-99E00	..KEY (931)	2	
15-2	37141-99E10	..KEY (932)	2	
15-3	37141-99E20	..KEY (933)	2	
15-4	37141-99E30	..KEY (934)	2	
15-5	37141-99E40	..KEY (935)	2	
15-6	37141-99E50	..KEY (936)	2	
15-7	37141-99E60	..KEY (937)	2	
15-8	37141-99E70	..KEY (938)	2	
15-9	37141-99E80	..KEY (939)	2	
15-10	37141-99E90	..KEY (940)	2	
15-11	37141-99EA0	..KEY (941)	2	
15-12	37141-99EB0	..KEY (942)	2	
16	37143-99E00	..CAP, KEY	1	
17	37149-93J00	..CAP, CYLINDER BODY	1	
18	37139-99E20	..PANEL, IGNITION SWITCH	1	
19	37820-93J03	..SWITCH ASSY, EMERGENCY	1	
20	37823-92E01	..PLATE ASSY, EMERGENCY	1	
21	37826-92E00	..NUT	1	
22	03121-0516A	..SCREW	4	
23	38500-93J90	..BUZZER ASSY, WARNING	1	
24	09407-08401	..CLAMP (L:80)	1	

FIG.232

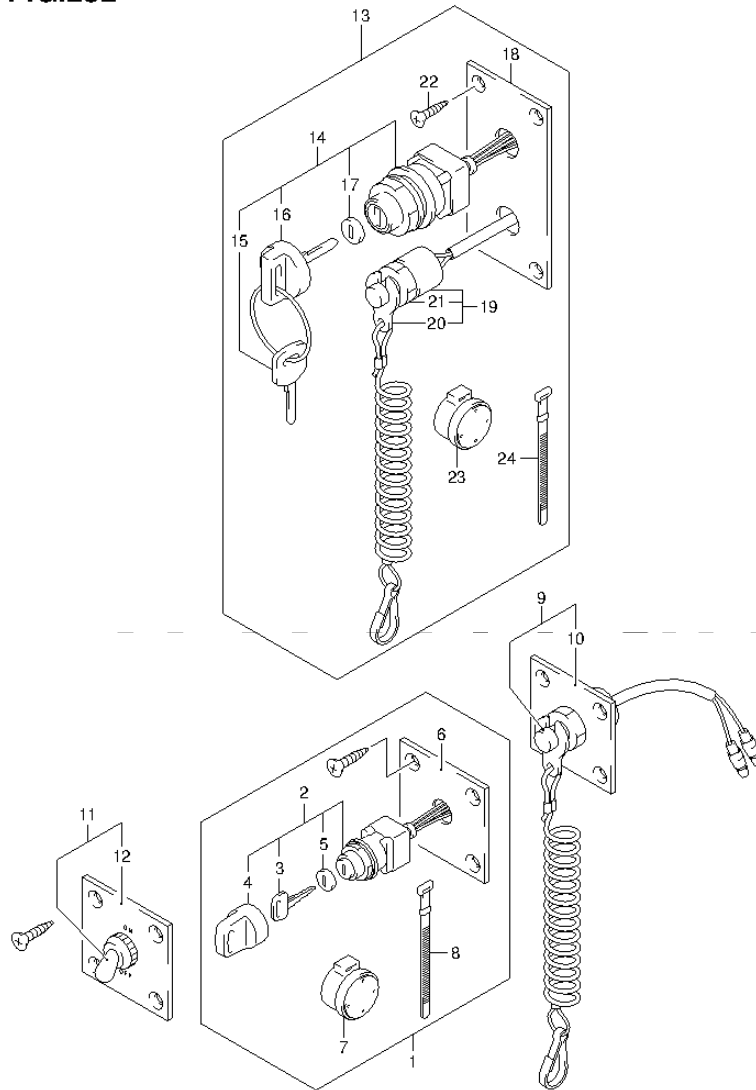
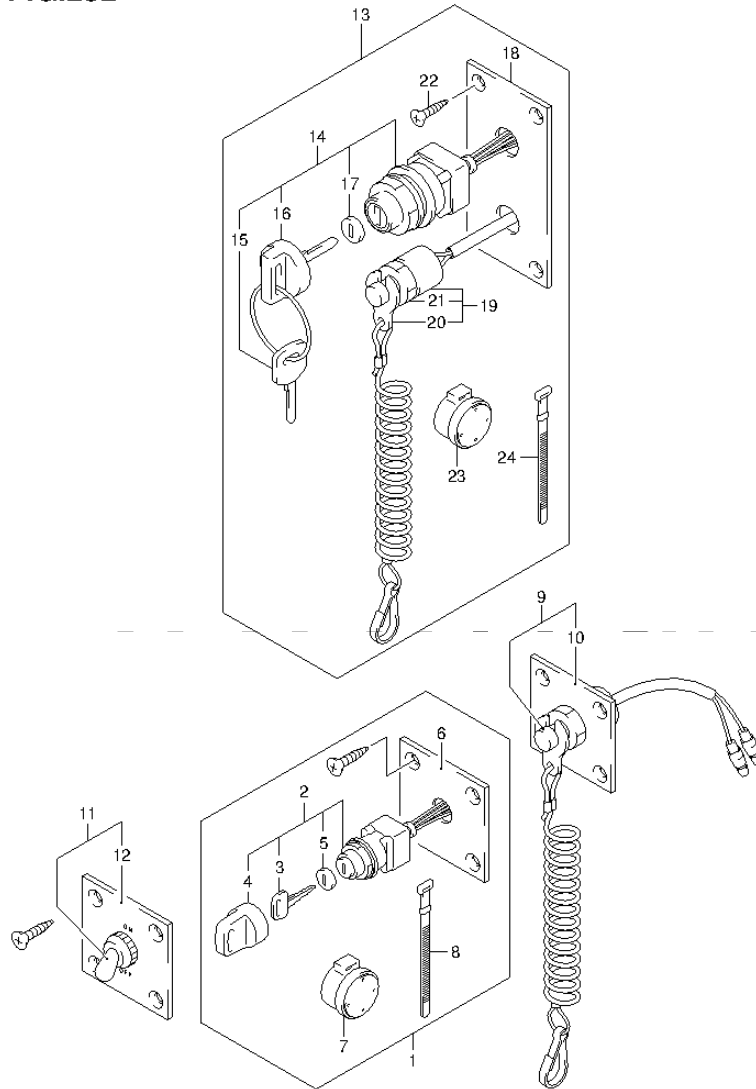


FIG.232 (2-J-4) OPT:SWITCH (DF20AT P01)

REF NO.	PART NO.	DESCRIPTION	Q'TY	REMARKS
1	37100-96J00	PANEL ASSY, IGNITION SW	1	
2	37110-93J01	.SWITCH ASSY, IGNITION	1	
3-1	37141-99E00	..KEY (931)	2	
3-2	37141-99E10	..KEY (932)	2	
3-3	37141-99E20	..KEY (933)	2	
3-4	37141-99E30	..KEY (934)	2	
3-5	37141-99E40	..KEY (935)	2	
3-6	37141-99E50	..KEY (936)	2	
3-7	37141-99E60	..KEY (937)	2	
3-8	37141-99E70	..KEY (938)	2	
3-9	37141-99E80	..KEY (939)	2	
3-10	37141-99E90	..KEY (940)	2	
3-11	37141-99EA0	..KEY (941)	2	
3-12	37141-99EB0	..KEY (942)	2	
4	37143-99E00	..CAP, KEY	1	
5	37149-93J00	..CAP, CYLINDER BODY	1	
6	37139-99E00	.PANEL, IGNITION SW	1	
7	38500-93J90	.BUZZER ASSY, WARNING	1	
8	09407-08401	.CLAMP (L:80)	1	
9	37803-93J03	PANEL ASSY, EMERGENCY SW	1	
10	37825-99E00	.PANEL, EMERGENCY SW	1	
11	37210-93J00	PANEL ASSY, LIGHTING SW	1	
12	37212-93J00	.PANEL, LIGHTING SW	1	

FIG.232



DF20A_P01_014_232
OPT:SWITCH

FIG.232 (2-J-5) OPT:SWITCH (DF20AT P01)

REF NO.	PART NO.	DESCRIPTION	Q'TY	REMARKS
13	37100-96J23	PANEL ASSY, ENGINE SW	1	
14	37110-93J01	.SWITCH ASSY, IGNITION	1	
15-1	37141-99E00	..KEY (931)	2	
15-2	37141-99E10	..KEY (932)	2	
15-3	37141-99E20	..KEY (933)	2	
15-4	37141-99E30	..KEY (934)	2	
15-5	37141-99E40	..KEY (935)	2	
15-6	37141-99E50	..KEY (936)	2	
15-7	37141-99E60	..KEY (937)	2	
15-8	37141-99E70	..KEY (938)	2	
15-9	37141-99E80	..KEY (939)	2	
15-10	37141-99E90	..KEY (940)	2	
15-11	37141-99EA0	..KEY (941)	2	
15-12	37141-99EB0	..KEY (942)	2	
16	37143-99E00	..CAP, KEY	1	
17	37149-93J00	..CAP, CYLINDER BODY	1	
18	37139-99E20	.PANEL, IGNITION SWITCH	1	
19	37820-93J03	.SWITCH ASSY, EMERGENCY	1	
20	37823-92E01	..PLATE ASSY, EMERGENCY	1	
21	37826-92E00	..NUT	1	
22	03121-0516A	.SCREW	4	
23	38500-93J90	.BUZZER ASSY, WARNING	1	
24	09407-08401	.CLAMP (L:80)	1	

DF20A_P01_014

FIG.233

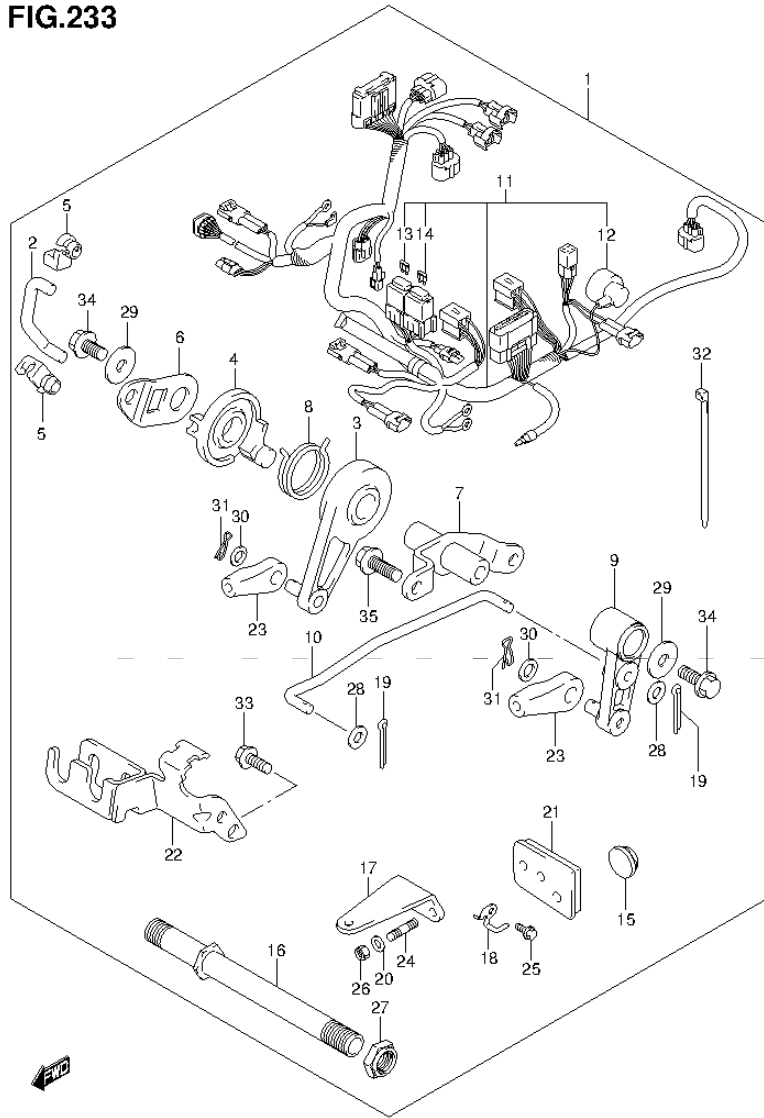


FIG.233 (2-J-6) OPT:REMOTE CONTROL PARTS (DF9.9B P01)

REF NO.	PART NO.	DESCRIPTION	Q'TY	REMARKS
1	67130-89L01	PARTS SET, R/CON	1	
2	13513-89L10	.ROD,THROTTLE	1	
3	19120-99J10	.LEVER, THROTTLE CONTROL	1	
4	19122-99J00	.LEVER, INTERLINK THROTTLE NO.2	1	
5	19131-89L00	.CONNECTOR	2	
6	19148-89L10	.LEVER, INTERLINK THROTTLE NO.1	1	
7	19150-89L00	.BRACKET, THROTTLE LEVER	1	
8	19185-99J00	.SPRING,THROTTLE LEVER	1	
9	21110-89L10	.LEVER, CLUTCH	1	
10	23115-89L10	.LINK, CLUTCH LEVER	1	
11	36610-89L21	.HARNESS ASSY, WIRING	1	
12	36618-43410	..CAP. OIL PRESSURE SWITCH	1	
13	09481-10501	..FUSE (10A)	1	
14	09481-30501	..FUSE (30A)	1	
15	37163-89L00	.PLUG, STARTING SWITCH HOLE	1	
16	41130-89L00	.SHAFT, CLAMP BRACKET	1	
17	43755-99J00	.ATTACHMENT, STEERING BRACKET	1	
18	43759-89L00	.HOLDER, DRAIN HOSE	1	
19	09204-01002	.PIN	2	
20	09160-08082	.WASHER (8.5X16X1.2)	2	
21	61124-89L20	.GROMMET, R/CON CABLE	1	
22	67340-89L00	.HOLDER, R/CON CABLE	1	
23	67467-89J01	.CONNECTOR	2	
24	09108-08286	.STUD BOLT	2	
25	09116-06225	.BOLT (6X15)	1	
26	09159-08059	.NUT	2	
27	09159-22006	.NUT	1	

FIG.233

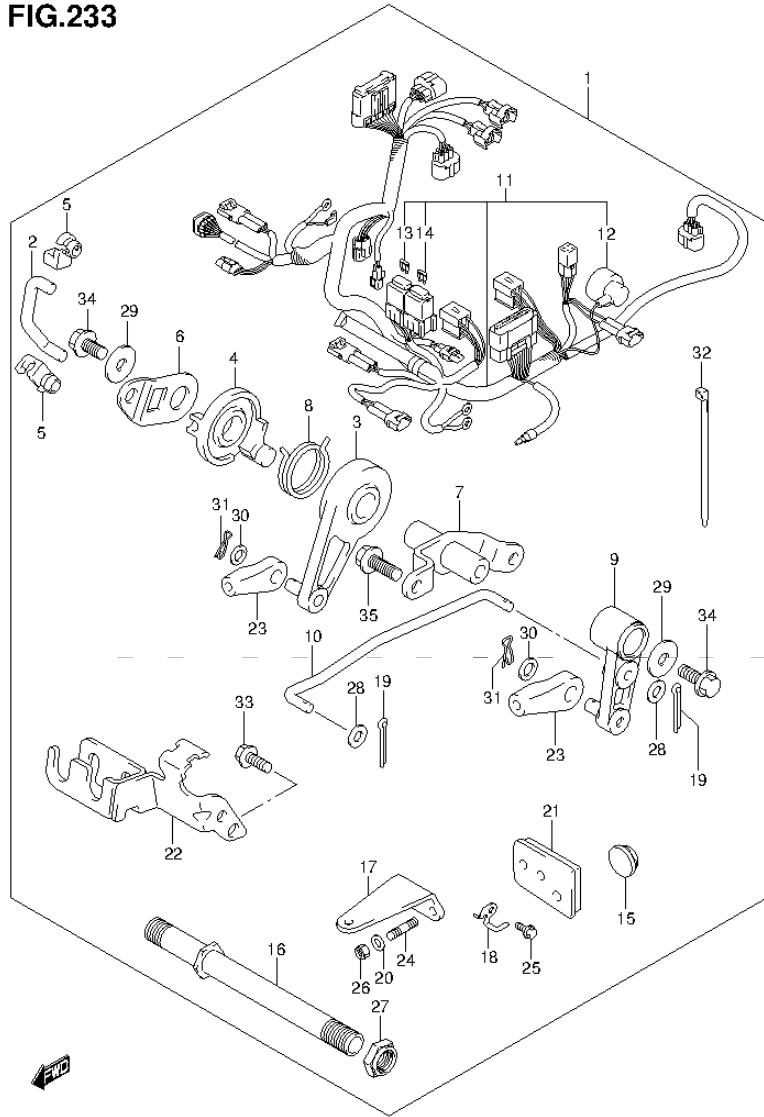


FIG.233 (2-J-7) OPT:REMOTE CONTROL PARTS (DF9.9B P01)

REF NO.	PART NO.	DESCRIPTION	Q'TY	REMARKS
28	09160-05029	.WASHER (5.5X12X0.8)	2	
29	09160-06046	.WASHER (6.5X20X1.5)	2	
30	09160-06055	.WASHER (7X12X1)	2	
31	09385-06012	.CLIP	2	
32	09407-14407	.CLAMP (L:145)	12	
33	01547-06167	.BOLT	2	
34	01550-06127	.BOLT	2	
35	01550-06167	.BOLT	2	

FIG.234

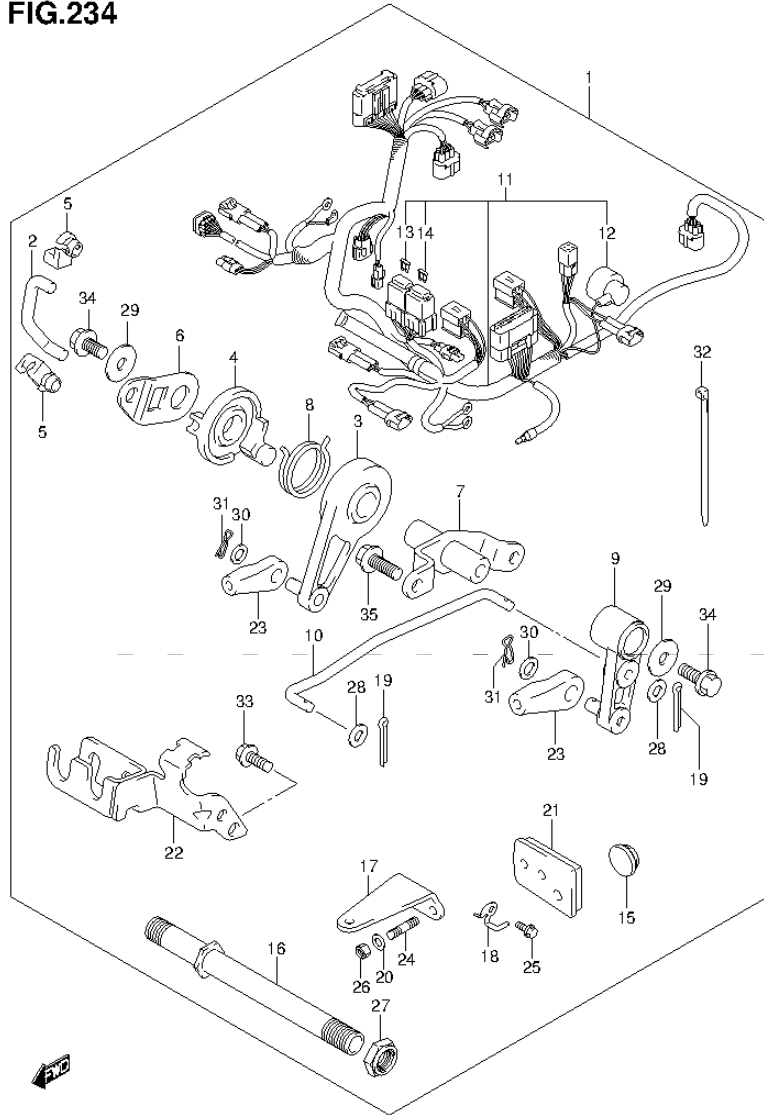


FIG.234 (2-J-8) OPT:REMOTE CONTROL PARTS (DF15A P01)

REF NO.	PART NO.	DESCRIPTION	Q'TY	REMARKS
1	67130-89L01	PARTS SET, R/CON	1	
2	13513-89L10	.ROD,THROTTLE	1	
3	19120-99J10	.LEVER, THROTTLE CONTROL	1	
4	19122-99J00	.LEVER, INTERLINK THROTTLE NO.2	1	
5	19131-89L00	.CONNECTOR	2	
6	19148-89L10	.LEVER, INTERLINK THROTTLE NO.1	1	
7	19150-89L00	.BRACKET, THROTTLE LEVER	1	
8	19185-99J00	.SPRING,THROTTLE LEVER	1	
9	21110-89L10	.LEVER, CLUTCH	1	
10	23115-89L10	.LINK, CLUTCH LEVER	1	
11	36610-89L21	.HARNES ASSY, WIRING	1	
12	36618-43410	..CAP. OIL PRESSURE SWITCH	1	
13	09481-10501	..FUSE (10A)	1	
14	09481-30501	..FUSE (30A)	1	
15	37163-89L00	.PLUG, STARTING SWITCH HOLE	1	
16	41130-89L00	.SHAFT, CLAMP BRACKET	1	
17	43755-99J00	.ATTACHMENT, STEERING BRACKET	1	
18	43759-89L00	.HOLDER, DRAIN HOSE	1	
19	09204-01002	.PIN	2	
20	09160-08082	.WASHER (8.5X16X1.2)	2	
21	61124-89L20	.GROMMET, R/CON CABLE	1	
22	67340-89L00	.HOLDER, R/CON CABLE	1	
23	67467-89J01	.CONNECTOR	2	
24	09108-08286	.STUD BOLT	2	
25	09116-06225	.BOLT (6X15)	1	
26	09159-08059	.NUT	2	
27	09159-22006	.NUT	1	

FIG.234

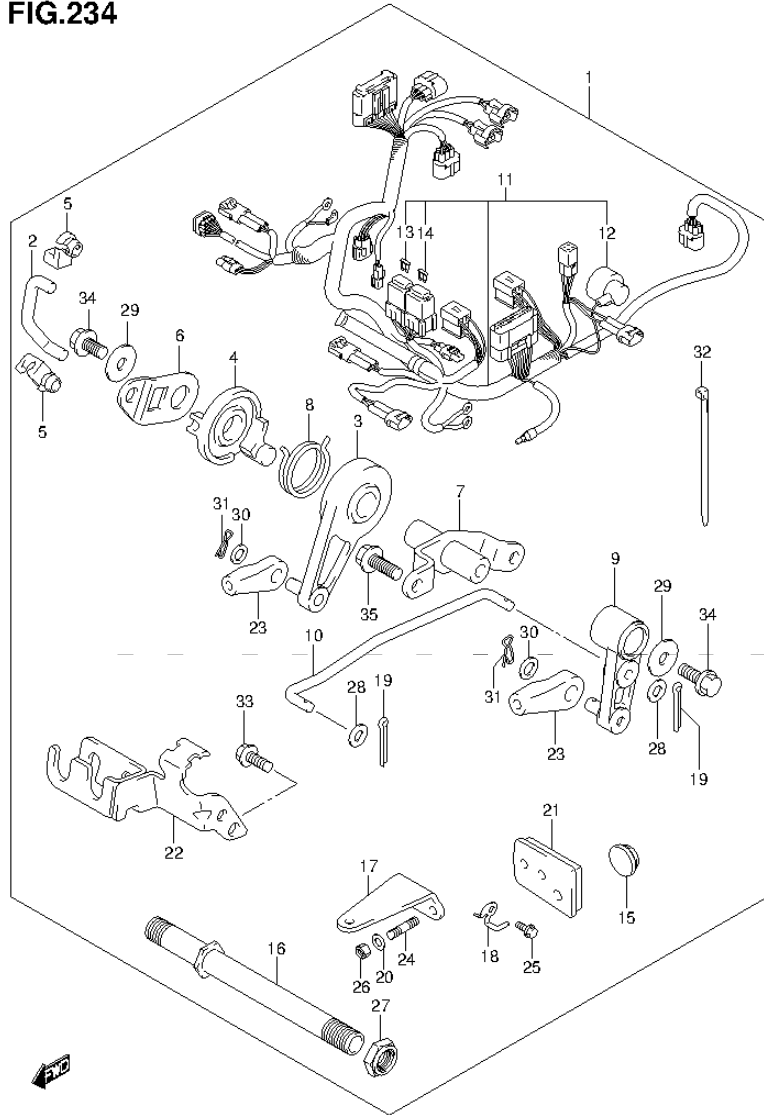


FIG.234 (2-J-9) OPT:REMOTE CONTROL PARTS (DF15A P01)

REF NO.	PART NO.	DESCRIPTION	Q'TY	REMARKS
28	09160-05029	.WASHER (5.5X12X0.8)	2	
29	09160-06046	.WASHER (6.5X20X1.5)	2	
30	09160-06055	.WASHER (7X12X1)	2	
31	09385-06012	.CLIP	2	
32	09407-14407	.CLAMP (L:145)	12	
33	01547-06167	.BOLT	2	
34	01550-06127	.BOLT	2	
35	01550-06167	.BOLT	2	

FIG.235

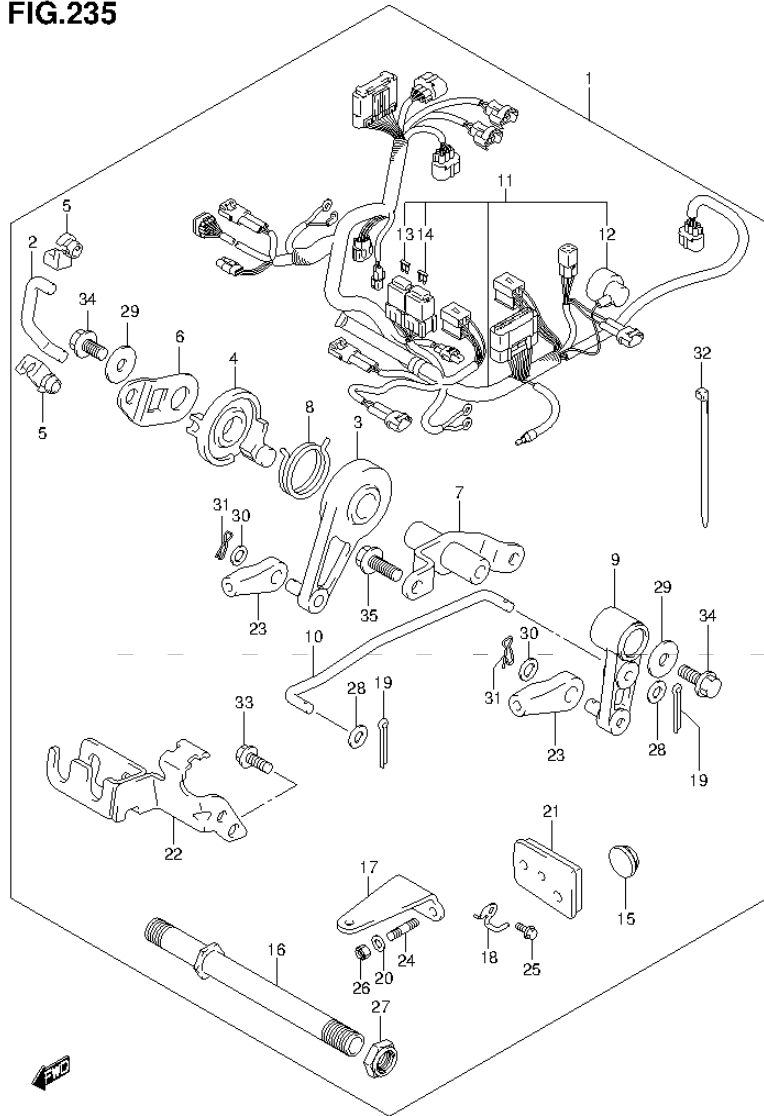


FIG.235 (2-J-10) OPT:REMOTE CONTROL PARTS (DF20A P01)

REF NO.	PART NO.	DESCRIPTION	Q'TY	REMARKS
1	67130-89L01	PARTS SET, R/CON	1	
2	13513-89L10	.ROD,THROTTLE	1	
3	19120-99J10	.LEVER, THROTTLE CONTROL	1	
4	19122-99J00	.LEVER, INTERLINK THROTTLE NO.2	1	
5	19131-89L00	.CONNECTOR	2	
6	19148-89L10	.LEVER, INTERLINK THROTTLE NO.1	1	
7	19150-89L00	.BRACKET, THROTTLE LEVER	1	
8	19185-99J00	.SPRING,THROTTLE LEVER	1	
9	21110-89L10	.LEVER, CLUTCH	1	
10	23115-89L10	.LINK, CLUTCH LEVER	1	
11	36610-89L21	.HARNES ASSY, WIRING	1	
12	36618-43410	..CAP. OIL PRESSURE SWITCH	1	
13	09481-10501	..FUSE (10A)	1	
14	09481-30501	..FUSE (30A)	1	
15	37163-89L00	.PLUG, STARTING SWITCH HOLE	1	
16	41130-89L00	.SHAFT, CLAMP BRACKET	1	
17	43755-99J00	.ATTACHMENT, STEERING BRACKET	1	
18	43759-89L00	.HOLDER, DRAIN HOSE	1	
19	09204-01002	.PIN	2	
20	09160-08082	.WASHER (8.5X16X1.2)	2	
21	61124-89L20	.GROMMET, R/CON CABLE	1	
22	67340-89L00	.HOLDER, R/CON CABLE	1	
23	67467-89J01	.CONNECTOR	2	
24	09108-08286	.STUD BOLT	2	
25	09116-06225	.BOLT (6X15)	1	
26	09159-08059	.NUT	2	
27	09159-22006	.NUT	1	

FIG.235

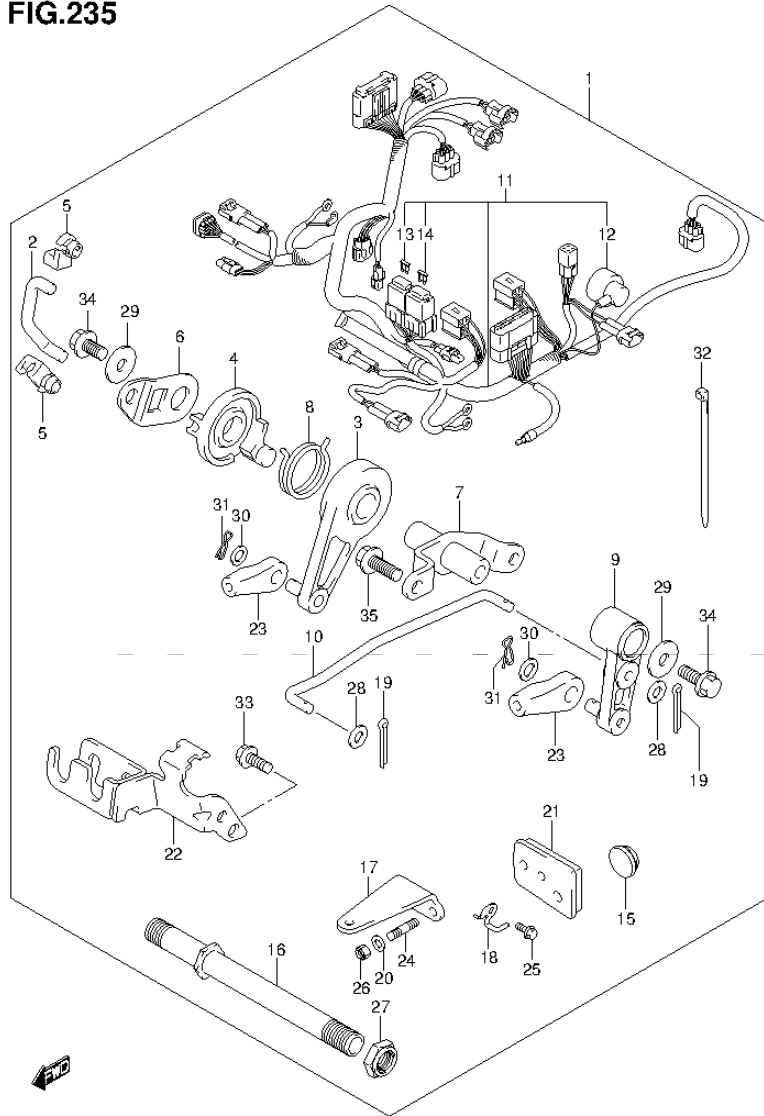


FIG.235 (2-J-11) OPT:REMOTE CONTROL PARTS (DF20A P01)

REF NO.	PART NO.	DESCRIPTION	Q'TY	REMARKS
28	09160-05029	.WASHER (5.5X12X0.8)	2	
29	09160-06046	.WASHER (6.5X20X1.5)	2	
30	09160-06055	.WASHER (7X12X1)	2	
31	09385-06012	.CLIP	2	
32	09407-14407	.CLAMP (L:145)	12	
33	01547-06167	.BOLT	2	
34	01550-06127	.BOLT	2	
35	01550-06167	.BOLT	2	

FIG.236

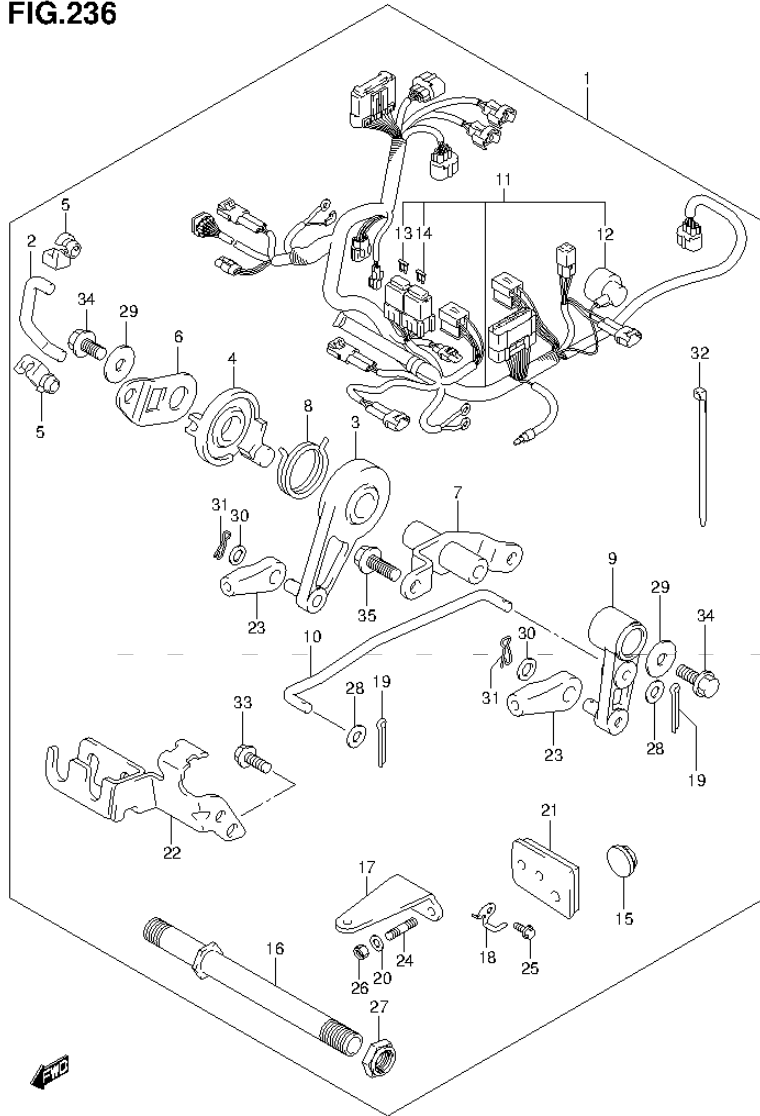


FIG.236 (2-J-12) OPT:REMOTE CONTROL PARTS (DF20A P40)

REF NO.	PART NO.	DESCRIPTION	Q'TY	REMARKS
1	67130-89L01	PARTS SET, R/CON	1	
2	13513-89L10	.ROD,THROTTLE	1	
3	19120-99J10	.LEVER, THROTTLE CONTROL	1	
4	19122-99J00	.LEVER, INTERLINK THROTTLE NO.2	1	
5	19131-89L00	.CONNECTOR	2	
6	19148-89L10	.LEVER, INTERLINK THROTTLE NO.1	1	
7	19150-89L00	.BRACKET, THROTTLE LEVER	1	
8	19185-99J00	.SPRING,THROTTLE LEVER	1	
9	21110-89L10	.LEVER, CLUTCH	1	
10	23115-89L10	.LINK, CLUTCH LEVER	1	
11	36610-89L21	.HARNESS ASSY, WIRING	1	
12	36618-43410	..CAP. OIL PRESSURE SWITCH	1	
13	09481-10501	..FUSE (10A)	1	
14	09481-30501	..FUSE (30A)	1	
15	37163-89L00	.PLUG, STARTING SWITCH HOLE	1	
16	41130-89L00	.SHAFT, CLAMP BRACKET	1	
17	43755-99J00	.ATTACHMENT, STEERING BRACKET	1	
18	43759-89L00	.HOLDER, DRAIN HOSE	1	
19	09204-01002	.PIN	2	
20	09160-08082	.WASHER (8.5X16X1.2)	2	
21	61124-89L20	.GROMMET, R/CON CABLE	1	
22	67340-89L00	.HOLDER, R/CON CABLE	1	
23	67467-89J01	.CONNECTOR	2	
24	09108-08286	.STUD BOLT	2	
25	09116-06225	.BOLT (6X15)	1	
26	09159-08059	.NUT	2	
27	09159-22006	.NUT	1	

FIG.236

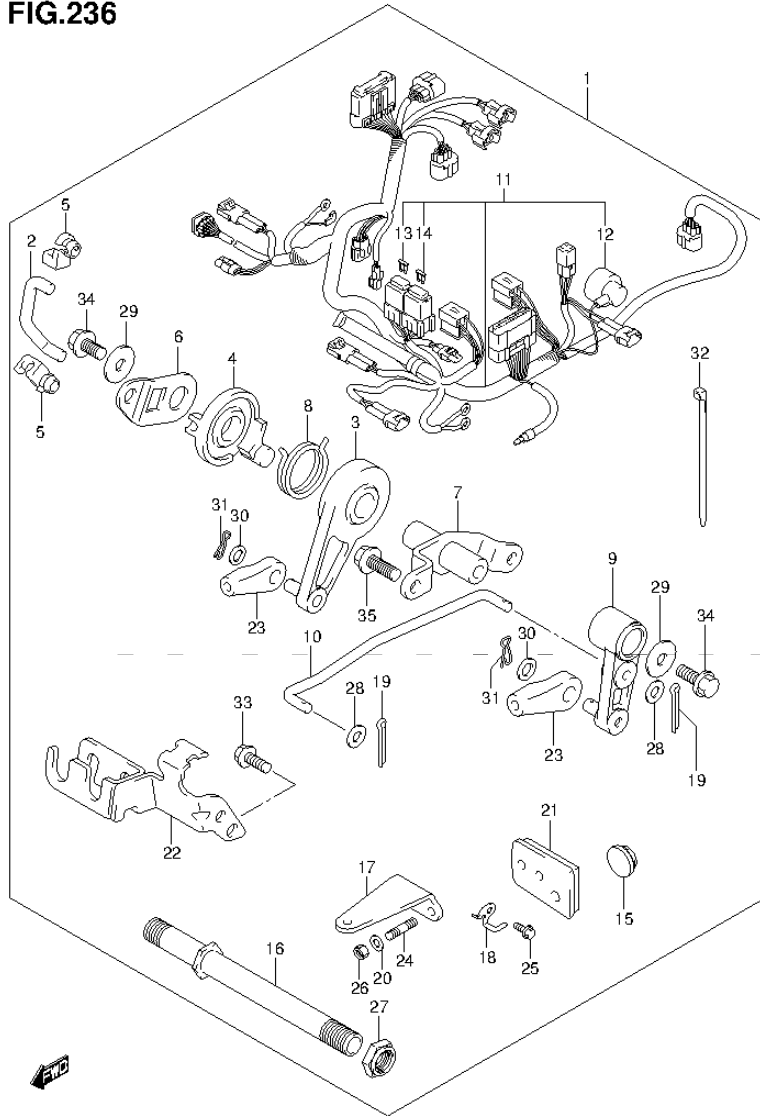
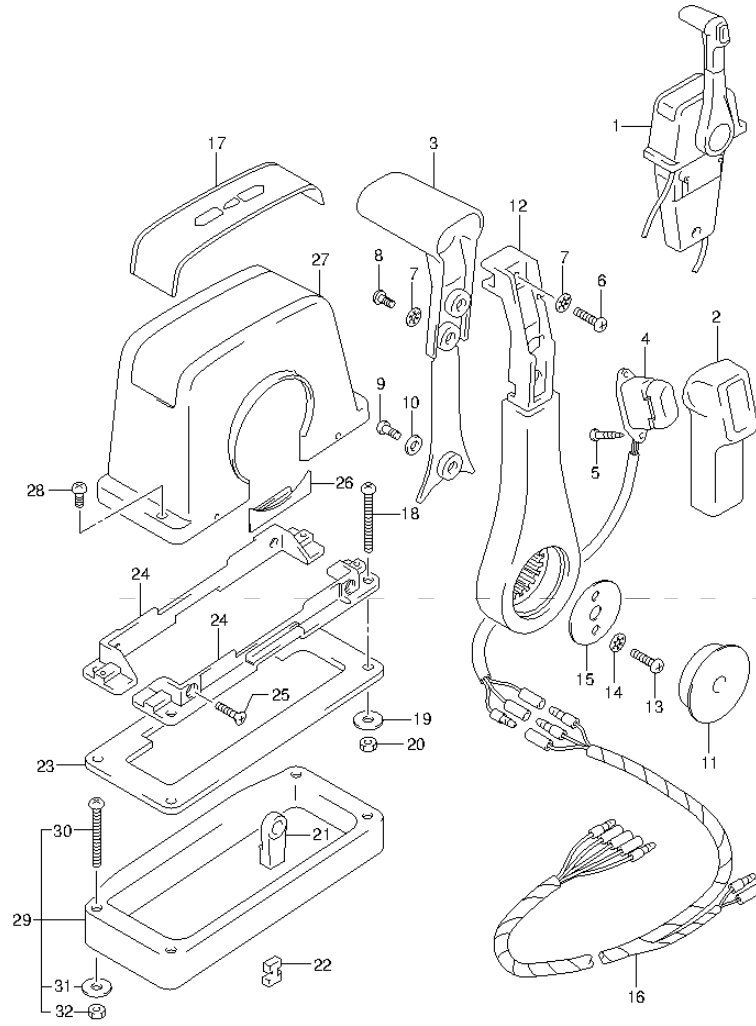


FIG.236 (2-J-13) OPT:REMOTE CONTROL PARTS (DF20A P40)

REF NO.	PART NO.	DESCRIPTION	Q'TY	REMARKS
28	09160-05029	.WASHER (5.5X12X0.8)	2	
29	09160-06046	.WASHER (6.5X20X1.5)	2	
30	09160-06055	.WASHER (7X12X1)	2	
31	09385-06012	.CLIP	2	
32	09407-14407	.CLAMP (L:145)	12	
33	01547-06167	.BOLT	2	
34	01550-06127	.BOLT	2	
35	01550-06167	.BOLT	2	

FIG.237

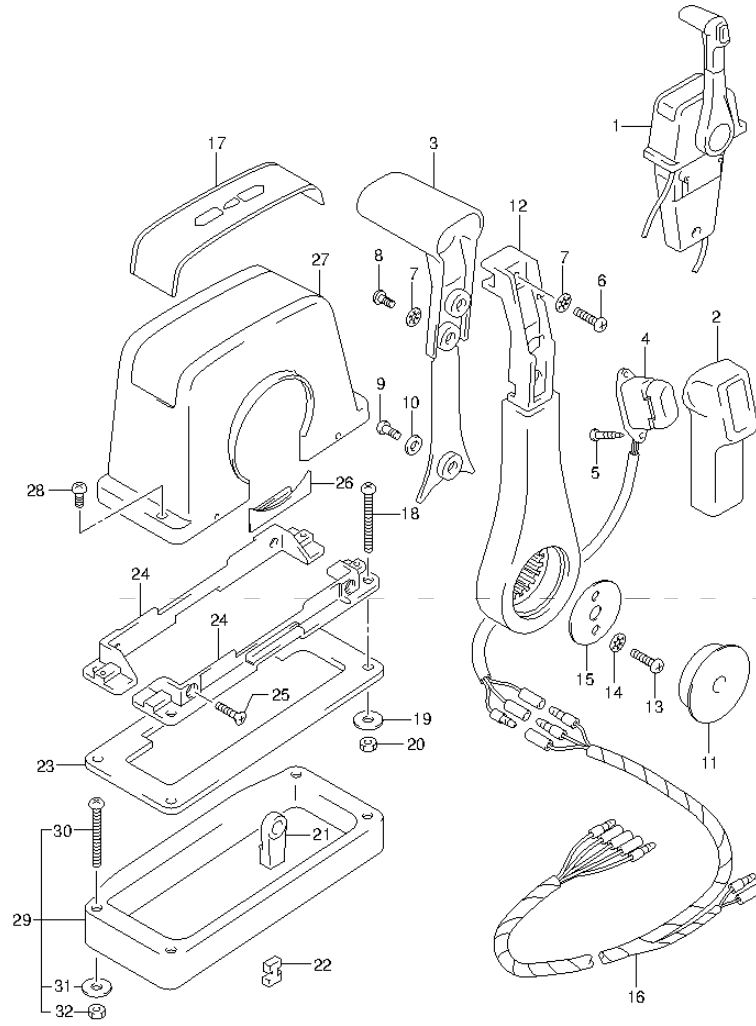
FIG.237 (2-J-14) OPT:REMOTE CONTROL ASSY SINGLE (1) (DF9.9B P01)



REF NO.	PART NO.	DESCRIPTION	Q'TY	REMARKS
1	67200-93J13	REMOTE CONTROL ASSY	1	PUSH
2	67261-93J00	.GRIP, NO.1	1	
3	67263-93J00	.GRIP, NO.2	1	
4	37850-93J10	.SWITCH ASSY, PTT	1	
5	67295-92E10	.SCREW	2	
6	67296-88D10	.SCREW	1	
7	67288-92E20	.WASHER	3	
8	67295-92E00	.SCREW	2	
9	67296-92E70	.SCREW	1	
10	67288-92E40	.WASHER	1	
11	67257-92E00	.CAP, LEVER	1	
12	67251-93J00	.LEVER, HANDLE	1	
13	67296-92E60	.SCREW	2	
14	67288-92E30	.WASHER	2	
15	67253-92E00	.WASHER	1	
16	36890-93J00	.WIRE HARNESS	1	
17	67281-93J00	.DECAL	1	
18	67296-92E30	.SCREW	4	
19	09160-05024	.WASHER (5.5X16X1.5)	4	
20	67287-92E00	.NUT	4	
21	67275-95600	.END, CABLE	2	
22	67273-95600	.SPACER	1	
23	67273-92E00	.GROMMET	1	
24	67274-92E00	.FLANGE	2	
25	67296-95610	.SCREW	4	
26	67271-92E00	.COVER	1	
27	67211-93J00	.COVER	1	
28	67296-92E70	.SCREW	2	
29	67500-93J00	KIT, REMOCON SPACER SINGLE	1	
30	09125-05135	.SCREW (5X65)	4	
31	09160-05029	.WASHER (5.5X12X0.8)	4	
32	09140-05005	.NUT	4	

FIG.238

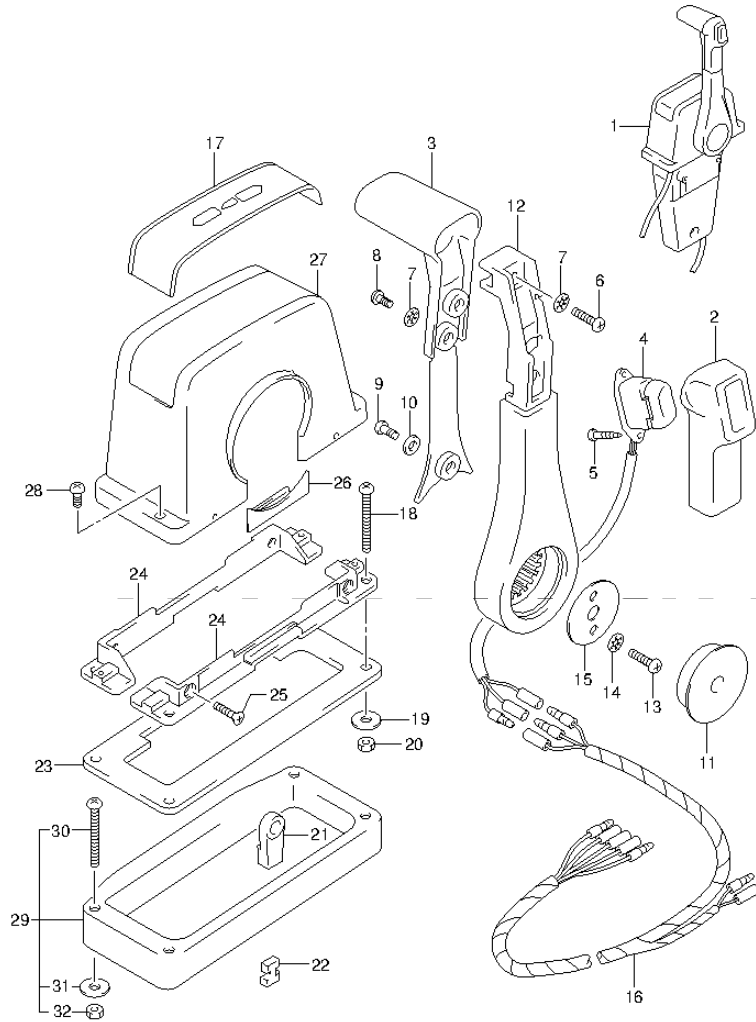
FIG.238 (2-J-15) OPT:REMOTE CONTROL ASSY SINGLE (1) (DF15A P01)



REF NO.	PART NO.	DESCRIPTION	Q'TY	REMARKS
1	67200-93J13	REMOTE CONTROL ASSY	1	PUSH
2	67261-93J00	.GRIP, NO.1	1	
3	67263-93J00	.GRIP, NO.2	1	
4	37850-93J10	.SWITCH ASSY, PTT	1	
5	67295-92E10	.SCREW	2	
6	67296-88D10	.SCREW	1	
7	67288-92E20	.WASHER	3	
8	67295-92E00	.SCREW	2	
9	67296-92E70	.SCREW	1	
10	67288-92E40	.WASHER	1	
11	67257-92E00	.CAP, LEVER	1	
12	67251-93J00	.LEVER, HANDLE	1	
13	67296-92E60	.SCREW	2	
14	67288-92E30	.WASHER	2	
15	67253-92E00	.WASHER	1	
16	36890-93J00	.WIRE HARNESS	1	
17	67281-93J00	.DECAL	1	
18	67296-92E30	.SCREW	4	
19	09160-05024	.WASHER (5.5X16X1.5)	4	
20	67287-92E00	.NUT	4	
21	67275-95600	.END, CABLE	2	
22	67273-95600	.SPACER	1	
23	67273-92E00	.GROMMET	1	
24	67274-92E00	.FLANGE	2	
25	67296-95610	.SCREW	4	
26	67271-92E00	.COVER	1	
27	67211-93J00	.COVER	1	
28	67296-92E70	.SCREW	2	
29	67500-93J00	KIT, REMOCON SPACER SINGLE	1	
30	09125-05135	.SCREW (5X65)	4	
31	09160-05029	.WASHER (5.5X12X0.8)	4	
32	09140-05005	.NUT	4	

FIG.239

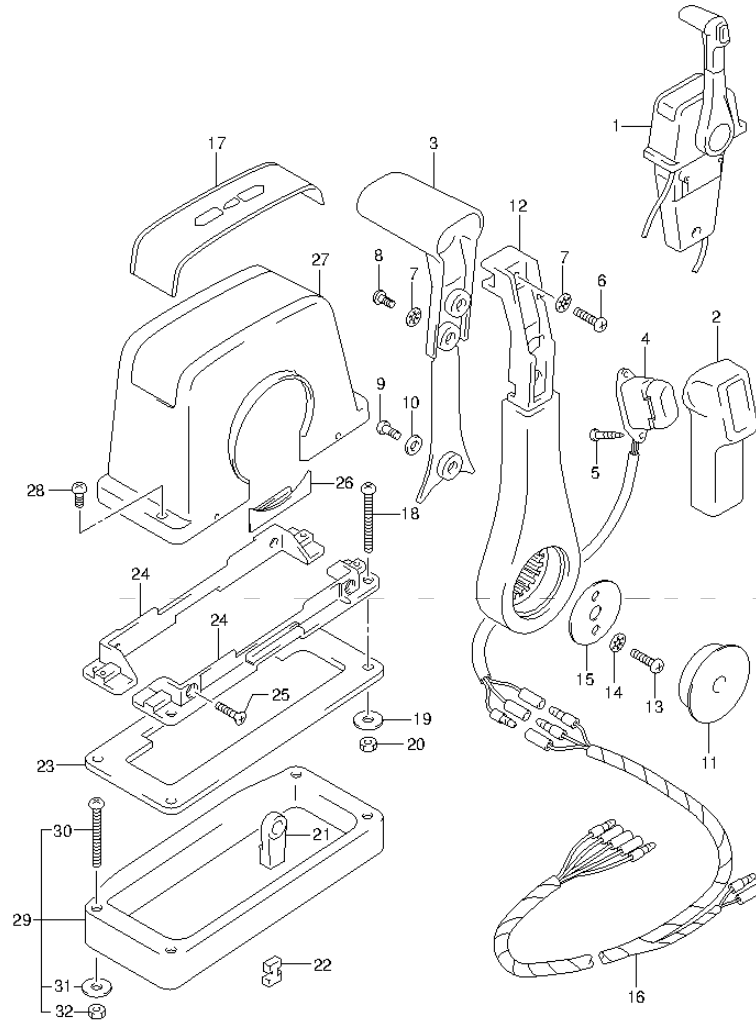
FIG.239 (2-K-2) OPT:REMOTE CONTROL ASSY SINGLE (1) (DF20A P01)



REF NO.	PART NO.	DESCRIPTION	Q'TY	REMARKS
1	67200-93J13	REMOTE CONTROL ASSY	1	PUSH
2	67261-93J00	.GRIP, NO.1	1	
3	67263-93J00	.GRIP, NO.2	1	
4	37850-93J10	.SWITCH ASSY, PTT	1	
5	67295-92E10	.SCREW	2	
6	67296-88D10	.SCREW	1	
7	67288-92E20	.WASHER	3	
8	67295-92E00	.SCREW	2	
9	67296-92E70	.SCREW	1	
10	67288-92E40	.WASHER	1	
11	67257-92E00	.CAP, LEVER	1	
12	67251-93J00	.LEVER, HANDLE	1	
13	67296-92E60	.SCREW	2	
14	67288-92E30	.WASHER	2	
15	67253-92E00	.WASHER	1	
16	36890-93J00	.WIRE HARNESS	1	
17	67281-93J00	.DECAL	1	
18	67296-92E30	.SCREW	4	
19	09160-05024	.WASHER (5.5X16X1.5)	4	
20	67287-92E00	.NUT	4	
21	67275-95600	.END, CABLE	2	
22	67273-95600	.SPACER	1	
23	67273-92E00	.GROMMET	1	
24	67274-92E00	.FLANGE	2	
25	67296-95610	.SCREW	4	
26	67271-92E00	.COVER	1	
27	67211-93J00	.COVER	1	
28	67296-92E70	.SCREW	2	
29	67500-93J00	KIT, REMOCON SPACER SINGLE	1	
30	09125-05135	.SCREW (5X65)	4	
31	09160-05029	.WASHER (5.5X12X0.8)	4	
32	09140-05005	.NUT	4	

FIG.240

FIG.240 (2-K-3) OPT:REMOTE CONTROL ASSY SINGLE (1) (DF20A P40)



REF NO.	PART NO.	DESCRIPTION	Q'TY	REMARKS
1	67200-93J13	REMOTE CONTROL ASSY	1	PUSH
2	67261-93J00	.GRIP, NO.1	1	
3	67263-93J00	.GRIP, NO.2	1	
4	37850-93J10	.SWITCH ASSY, PTT	1	
5	67295-92E10	.SCREW	2	
6	67296-88D10	.SCREW	1	
7	67288-92E20	.WASHER	3	
8	67295-92E00	.SCREW	2	
9	67296-92E70	.SCREW	1	
10	67288-92E40	.WASHER	1	
11	67257-92E00	.CAP, LEVER	1	
12	67251-93J00	.LEVER, HANDLE	1	
13	67296-92E60	.SCREW	2	
14	67288-92E30	.WASHER	2	
15	67253-92E00	.WASHER	1	
16	36890-93J00	.WIRE HARNESS	1	
17	67281-93J00	.DECAL	1	
18	67296-92E30	.SCREW	4	
19	09160-05024	.WASHER (5.5X16X1.5)	4	
20	67287-92E00	.NUT	4	
21	67275-95600	.END, CABLE	2	
22	67273-95600	.SPACER	1	
23	67273-92E00	.GROMMET	1	
24	67274-92E00	.FLANGE	2	
25	67296-95610	.SCREW	4	
26	67271-92E00	.COVER	1	
27	67211-93J00	.COVER	1	
28	67296-92E70	.SCREW	2	
29	67500-93J00	KIT, REMOCON SPACER SINGLE	1	
30	09125-05135	.SCREW (5X65)	4	
31	09160-05029	.WASHER (5.5X12X0.8)	4	
32	09140-05005	.NUT	4	

FIG.241

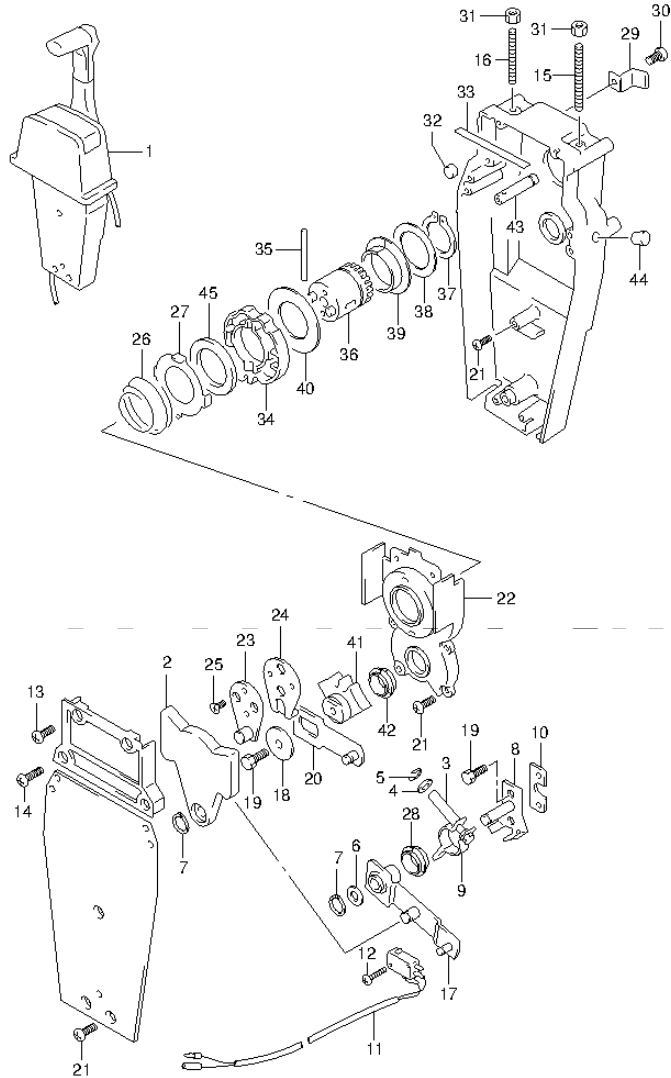


FIG.241 (2-K-4) OPT:REMOTE CONTROL ASSY SINGLE (2) (DF9.9B P01)

REF NO.	PART NO.	DESCRIPTION	Q'TY	REMARKS
1	67200-93J13	REMOTE CONTROL ASSY	1	PUSH
2	67222-92E00	.DUAL PLATE	1	
3	67223-92E00	.BRAKE ADJUST	1	
4	67288-92E00	.WASHER	1	
5	67292-94300	.E RING	4	
6	67288-92E10	.WASHER	1	
7	67291-92E00	.SNAP RING	2	
8	67221-92E00	.SHIFT ASSY	1	
9	67224-92E00	.BRAKE ARM ASSY	1	
10	67294-92E00	.SPACER	1	
11	37721-95500	.SWITCH ASSY, N/R	1	
12	67296-92E11	.SCREW (3X15)	2	
13	67296-88D10	.SCREW (5X16)	2	
14	67296-92E20	.SCREW (5X25)	2	
15	67226-92E00	.BOLT, STOPPER FRONT	1	
16	67226-92E10	.BOLT, STOPPER REAR	1	
17	67240-92E00	.ARM ASSY, THROTTLE	1	
18	67228-92E00	.WASHER	1	
19	67286-92E00	.BOLT (6X18)	3	
20	67230-92E00	.SHIFT ARM ASSY	1	
21	09125-05042	.SCREW (5X10)	9	
22	67234-92E00	.CASE, GEAR	1	
23	67245-92E00	.LEVER ASSY, THROTTLE	1	
24	67227-92E00	.STOPPER	1	
25	09126-06006	.SCREW (6X20)	2	
26	67233-92E00	.SPRING	1	
27	67235-92E00	.PLATE, SHIFT LOCK	1	
28	67232-95620	.BUSH	1	
29	67269-92E00	.BRACKET	1	
30	67296-88D10	.SCREW	1	
31	09140-06020	.NUT	2	
32	67236-92E00	.ROLLER	1	
33	67237-92E01	.SPRING	6	
34	67238-92E00	.GEAR, DRIVE	1	

FIG.241

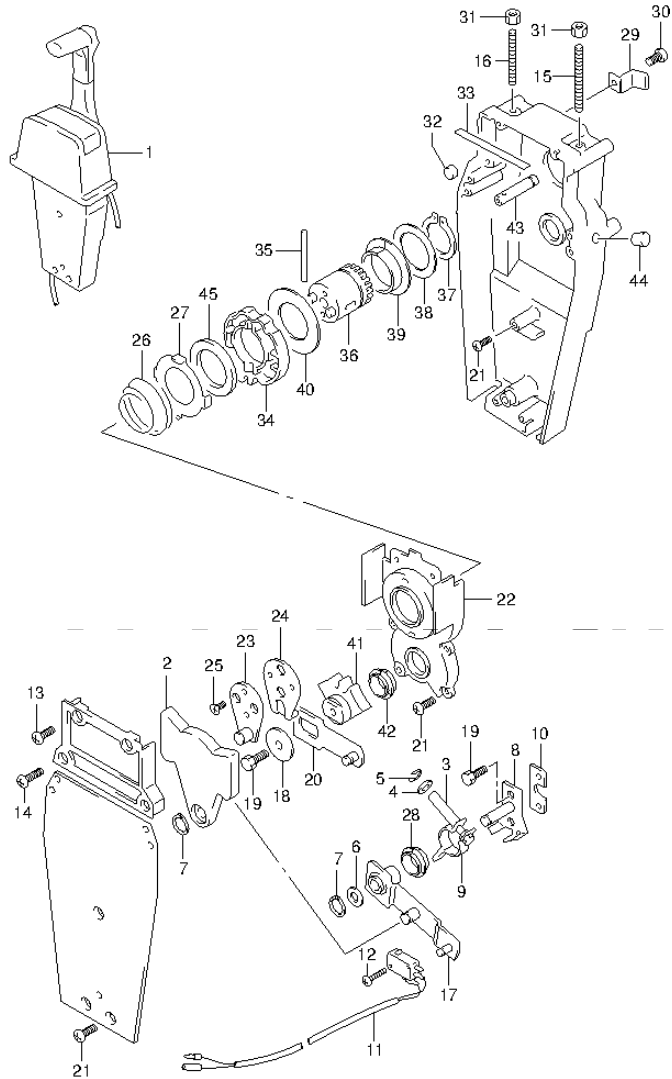


FIG.241 (2-K-5) OPT:REMOTE CONTROL ASSY SINGLE (2) (DF9.9B P01)

REF NO.	PART NO.	DESCRIPTION	Q'TY	REMARKS
35	67239-92E00	.PIN	1	
36	67246-92E00	.SHIFT, DRIVE	1	
37	67291-92E10	.SNAP RING	1	
38	67253-92E10	.WASHER	1	
39	67252-92E10	.BUSH	1	
40	67253-95600	.WASHER	1	
41	67231-92E00	.GEAR, SHIFT	1	
42	67232-95600	.BUSH	1	
43	67241-92E10	.ROD, FREE ACC	1	
44	67243-92E00	.CAP, HOLE	1	
45	67239-92E10	.PLATE, SHIFT PIN	1	

FIG.242

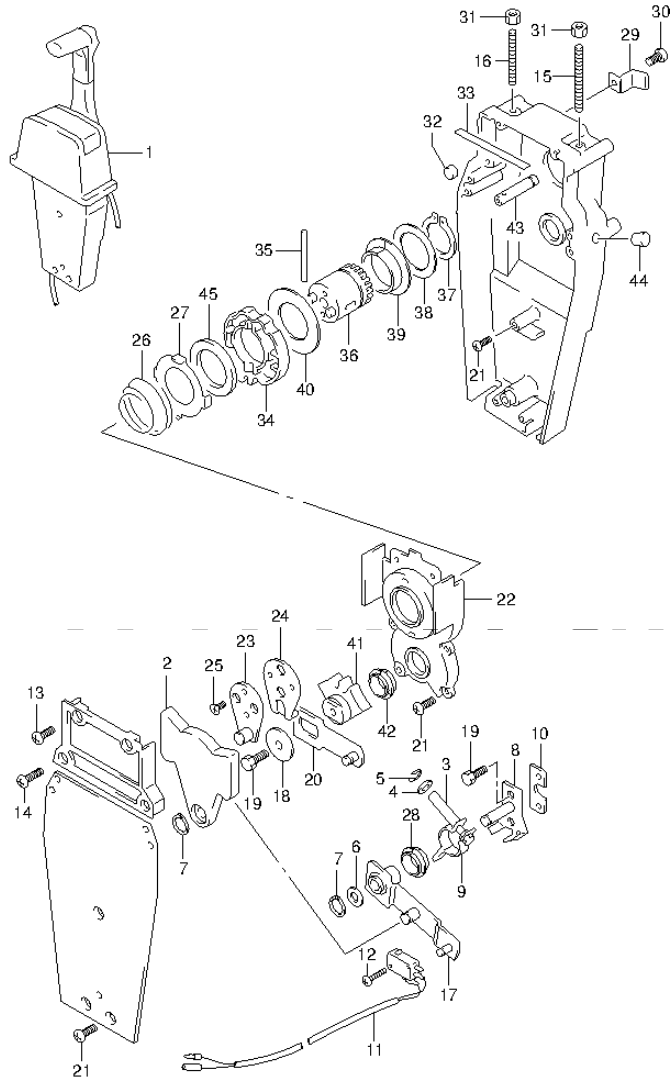


FIG.242 (2-K-6) OPT:REMOTE CONTROL ASSY SINGLE (2) (DF15A P01)

REF NO.	PART NO.	DESCRIPTION	Q'TY	REMARKS
1	67200-93J13	REMOTE CONTROL ASSY	1	PUSH
2	67222-92E00	.DUAL PLATE	1	
3	67223-92E00	.BRAKE ADJUST	1	
4	67288-92E00	.WASHER	1	
5	67292-94300	.E RING	4	
6	67288-92E10	.WASHER	1	
7	67291-92E00	.SNAP RING	2	
8	67221-92E00	.SHIFT ASSY	1	
9	67224-92E00	.BRAKE ARM ASSY	1	
10	67294-92E00	.SPACER	1	
11	37721-95500	.SWITCH ASSY, N/R	1	
12	67296-92E11	.SCREW (3X15)	2	
13	67296-88D10	.SCREW (5X16)	2	
14	67296-92E20	.SCREW (5X25)	2	
15	67226-92E00	.BOLT, STOPPER FRONT	1	
16	67226-92E10	.BOLT, STOPPER REAR	1	
17	67240-92E00	.ARM ASSY, THROTTLE	1	
18	67228-92E00	.WASHER	1	
19	67286-92E00	.BOLT (6X18)	3	
20	67230-92E00	.SHIFT ARM ASSY	1	
21	09125-05042	.SCREW (5X10)	9	
22	67234-92E00	.CASE, GEAR	1	
23	67245-92E00	.LEVER ASSY, THROTTLE	1	
24	67227-92E00	.STOPPER	1	
25	09126-06006	.SCREW (6X20)	2	
26	67233-92E00	.SPRING	1	
27	67235-92E00	.PLATE, SHIFT LOCK	1	
28	67232-95620	.BUSH	1	
29	67269-92E00	.BRACKET	1	
30	67296-88D10	.SCREW	1	
31	09140-06020	.NUT	2	
32	67236-92E00	.ROLLER	1	
33	67237-92E01	.SPRING	6	
34	67238-92E00	.GEAR, DRIVE	1	

FIG.242

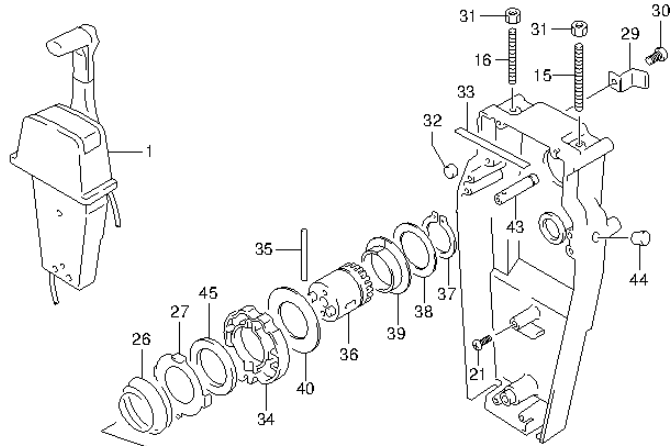


FIG.242 (2-K-7) OPT:REMOTE CONTROL ASSY SINGLE (2) (DF15A P01)

REF NO.	PART NO.	DESCRIPTION	Q'TY	REMARKS
35	67239-92E00	.PIN	1	
36	67246-92E00	.SHIFT, DRIVE	1	
37	67291-92E10	.SNAP RING	1	
38	67253-92E10	.WASHER	1	
39	67252-92E10	.BUSH	1	
40	67253-95600	.WASHER	1	
41	67231-92E00	.GEAR, SHIFT	1	
42	67232-95600	.BUSH	1	
43	67241-92E10	.ROD, FREE ACC	1	
44	67243-92E00	.CAP, HOLE	1	
45	67239-92E10	.PLATE, SHIFT PIN	1	

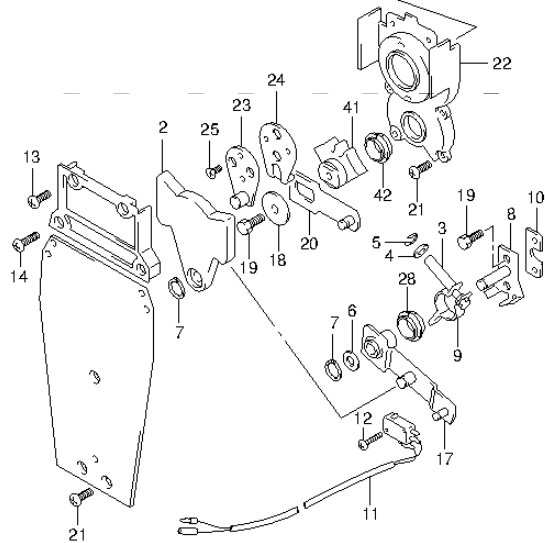


FIG.243

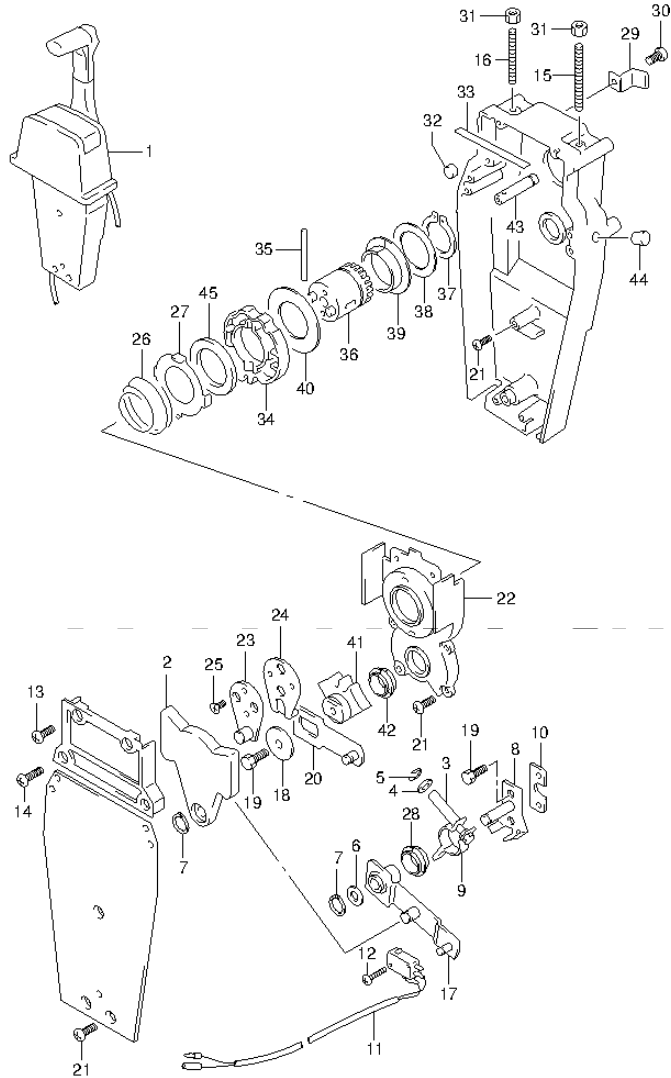


FIG.243 (2-K-8) OPT:REMOTE CONTROL ASSY SINGLE (2) (DF20A P01)

REF NO.	PART NO.	DESCRIPTION	Q'TY	REMARKS
1	67200-93J13	REMOTE CONTROL ASSY	1	PUSH
2	67222-92E00	.DUAL PLATE	1	
3	67223-92E00	.BRAKE ADJUST	1	
4	67288-92E00	.WASHER	1	
5	67292-94300	.E RING	4	
6	67288-92E10	.WASHER	1	
7	67291-92E00	.SNAP RING	2	
8	67221-92E00	.SHIFT ASSY	1	
9	67224-92E00	.BRAKE ARM ASSY	1	
10	67294-92E00	.SPACER	1	
11	37721-95500	.SWITCH ASSY, N/R	1	
12	67296-92E11	.SCREW (3X15)	2	
13	67296-88D10	.SCREW (5X16)	2	
14	67296-92E20	.SCREW (5X25)	2	
15	67226-92E00	.BOLT, STOPPER FRONT	1	
16	67226-92E10	.BOLT, STOPPER REAR	1	
17	67240-92E00	.ARM ASSY, THROTTLE	1	
18	67228-92E00	.WASHER	1	
19	67286-92E00	.BOLT (6X18)	3	
20	67230-92E00	.SHIFT ARM ASSY	1	
21	09125-05042	.SCREW (5X10)	9	
22	67234-92E00	.CASE, GEAR	1	
23	67245-92E00	.LEVER ASSY, THROTTLE	1	
24	67227-92E00	.STOPPER	1	
25	09126-06006	.SCREW (6X20)	2	
26	67233-92E00	.SPRING	1	
27	67235-92E00	.PLATE, SHIFT LOCK	1	
28	67232-95620	.BUSH	1	
29	67269-92E00	.BRACKET	1	
30	67296-88D10	.SCREW	1	
31	09140-06020	.NUT	2	
32	67236-92E00	.ROLLER	1	
33	67237-92E01	.SPRING	6	
34	67238-92E00	.GEAR, DRIVE	1	

FIG.243

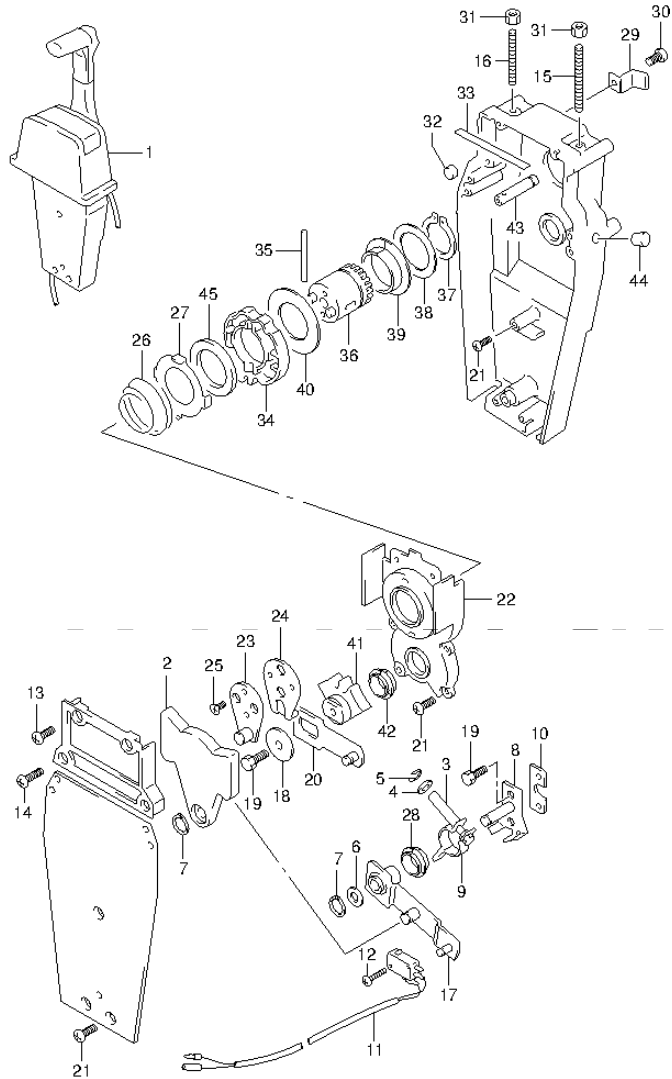


FIG.243 (2-K-9) OPT:REMOTE CONTROL ASSY SINGLE (2) (DF20A P01)

REF NO.	PART NO.	DESCRIPTION	Q'TY	REMARKS
35	67239-92E00	.PIN	1	
36	67246-92E00	.SHIFT, DRIVE	1	
37	67291-92E10	.SNAP RING	1	
38	67253-92E10	.WASHER	1	
39	67252-92E10	.BUSH	1	
40	67253-95600	.WASHER	1	
41	67231-92E00	.GEAR, SHIFT	1	
42	67232-95600	.BUSH	1	
43	67241-92E10	.ROD, FREE ACC	1	
44	67243-92E00	.CAP, HOLE	1	
45	67239-92E10	.PLATE, SHIFT PIN	1	

FIG.244

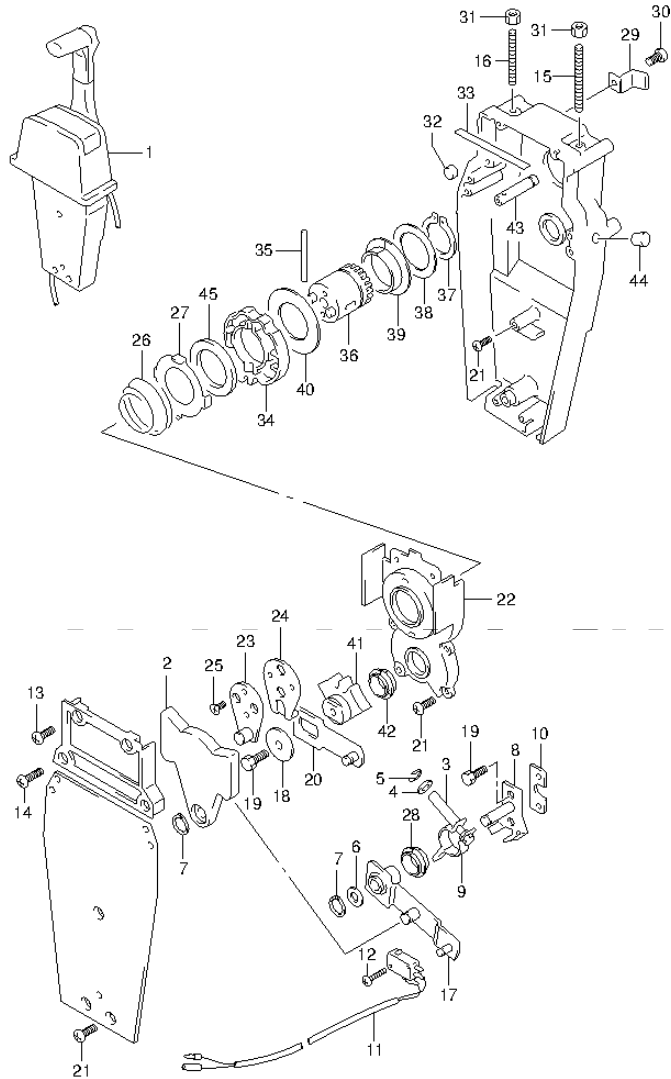


FIG.244 (2-K-10) OPT:REMOTE CONTROL ASSY SINGLE (2) (DF20A P40)

REF NO.	PART NO.	DESCRIPTION	Q'TY	REMARKS
1	67200-93J13	REMOTE CONTROL ASSY	1	PUSH
2	67222-92E00	.DUAL PLATE	1	
3	67223-92E00	.BRAKE ADJUST	1	
4	67288-92E00	.WASHER	1	
5	67292-94300	.E RING	4	
6	67288-92E10	.WASHER	1	
7	67291-92E00	.SNAP RING	2	
8	67221-92E00	.SHIFT ASSY	1	
9	67224-92E00	.BRAKE ARM ASSY	1	
10	67294-92E00	.SPACER	1	
11	37721-95500	.SWITCH ASSY, N/R	1	
12	67296-92E11	.SCREW (3X15)	2	
13	67296-88D10	.SCREW (5X16)	2	
14	67296-92E20	.SCREW (5X25)	2	
15	67226-92E00	.BOLT, STOPPER FRONT	1	
16	67226-92E10	.BOLT, STOPPER REAR	1	
17	67240-92E00	.ARM ASSY, THROTTLE	1	
18	67228-92E00	.WASHER	1	
19	67286-92E00	.BOLT (6X18)	3	
20	67230-92E00	.SHIFT ARM ASSY	1	
21	09125-05042	.SCREW (5X10)	9	
22	67234-92E00	.CASE, GEAR	1	
23	67245-92E00	.LEVER ASSY, THROTTLE	1	
24	67227-92E00	.STOPPER	1	
25	09126-06006	.SCREW (6X20)	2	
26	67233-92E00	.SPRING	1	
27	67235-92E00	.PLATE, SHIFT LOCK	1	
28	67232-95620	.BUSH	1	
29	67269-92E00	.BRACKET	1	
30	67296-88D10	.SCREW	1	
31	09140-06020	.NUT	2	
32	67236-92E00	.ROLLER	1	
33	67237-92E01	.SPRING	6	
34	67238-92E00	.GEAR, DRIVE	1	

FIG.244

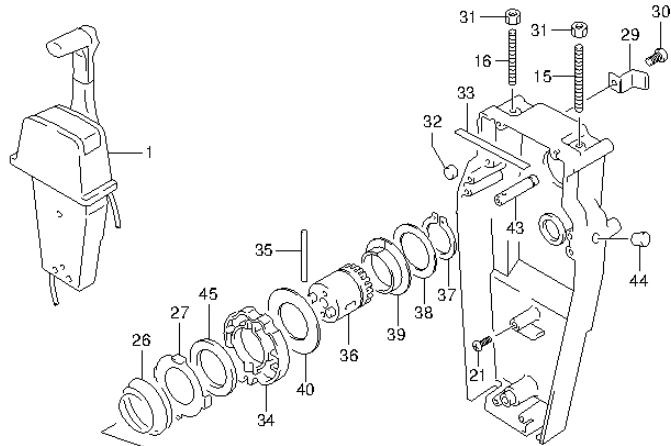


FIG.244 (2-K-11) OPT:REMOTE CONTROL ASSY SINGLE (2) (DF20A P40)

REF NO.	PART NO.	DESCRIPTION	Q'TY	REMARKS
35	67239-92E00	.PIN	1	
36	67246-92E00	.SHIFT, DRIVE	1	
37	67291-92E10	.SNAP RING	1	
38	67253-92E10	.WASHER	1	
39	67252-92E10	.BUSH	1	
40	67253-95600	.WASHER	1	
41	67231-92E00	.GEAR, SHIFT	1	
42	67232-95600	.BUSH	1	
43	67241-92E10	.ROD, FREE ACC	1	
44	67243-92E00	.CAP, HOLE	1	
45	67239-92E10	.PLATE, SHIFT PIN	1	

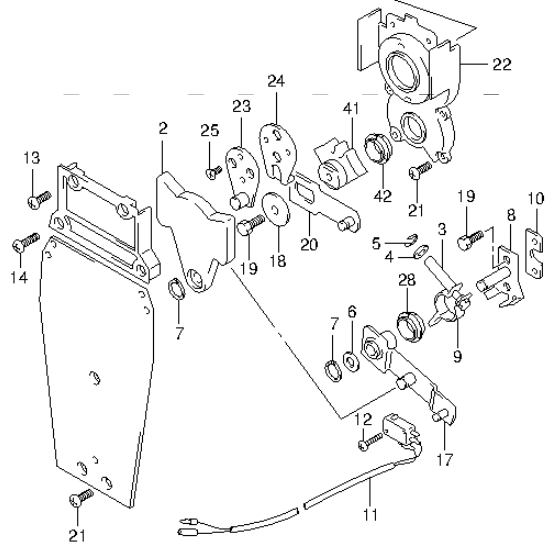


FIG.245

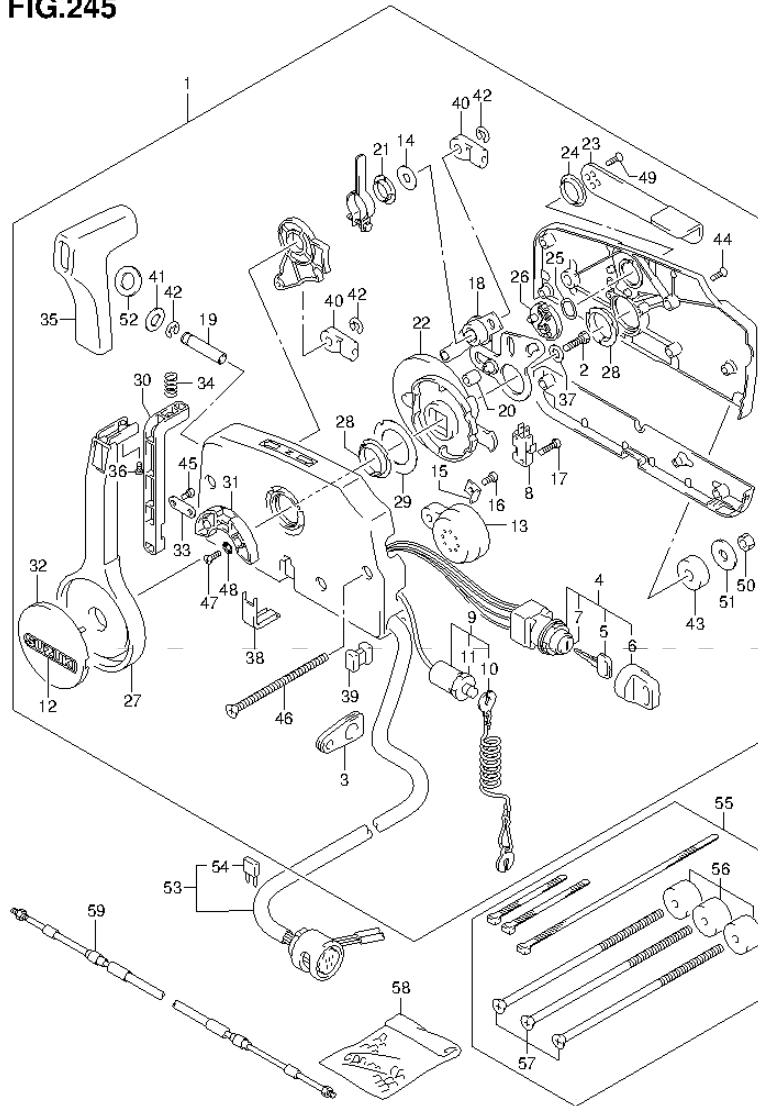
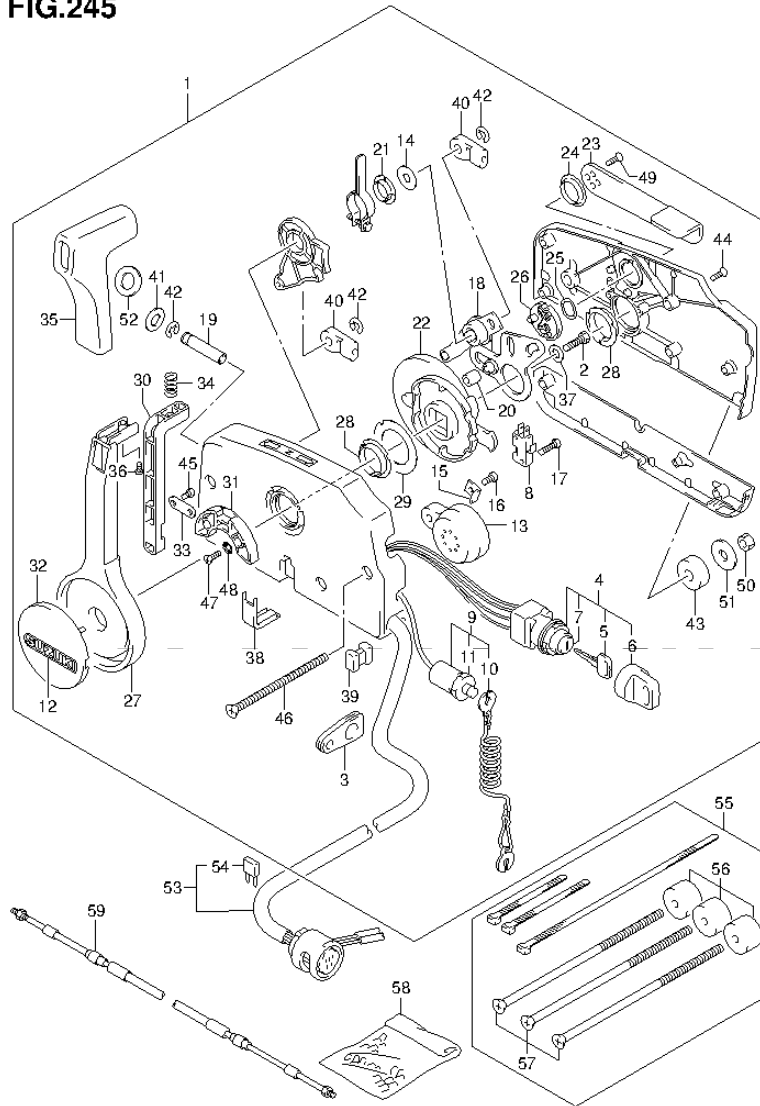


FIG.245 (2-K-12) OPT:REMOTE CONTROL (DF9.9B P01)

REF NO.	PART NO.	DESCRIPTION	Q'TY	REMARKS
1	67200-94J15	REMOTE CONTROL ASSY	1	
2	09100-08232	.BOLT (8X30)	1	
3	36628-92E00	.GROMMET, WIRE HARNESS	1	
4	37110-94J02	.SWITCH ASSY, IGNITION	1	
5-1	37141-99E00	..KEY (931)	2	
5-2	37141-99E10	..KEY (932)	2	
5-3	37141-99E20	..KEY (933)	2	
5-4	37141-99E30	..KEY (934)	2	
5-5	37141-99E40	..KEY (935)	2	
5-6	37141-99E50	..KEY (936)	2	
5-7	37141-99E60	..KEY (937)	2	
5-8	37141-99E70	..KEY (938)	2	
5-9	37141-99E80	..KEY (939)	2	
5-10	37141-99E90	..KEY (940)	2	
5-11	37141-99EA0	..KEY (941)	2	
5-12	37141-99EB0	..KEY (942)	2	
6	37143-99E00	..CAP, KEY	2	
7	37149-93J00	..CAP, CYLINDER BODY	1	
8	37721-93J91	.SWITCH, NEUTRAL	1	
9	37820-93J03	.SWITCH ASSY, EMERGENCY	1	
10	37823-92E01	..PLATE	1	
11	37826-92E00	..NUT	1	
12	68165-16B00-13L	.EMBLEM, SUZUKI (SILVER)	1	
13	38500-93J00	.BUZZER	1	
14	67212-95600	.WASHER	1	
15	67213-92E00	.BRACKET, BUZZER	1	
16	09125-05042	.SCREW (5X10)	1	
17	67296-92E11	.SCREW, NEUTRAL SW	2	
18	67220-95630	.PLATE ASSY	1	
19	67223-99E10	.KNOB, BRAKE ADJUST	1	
20	67229-95600	.ROLLER	1	
21	67232-95600	.BUSH	1	
22	67238-87D00	.GEAR, DRIVE	1	
23	67241-99E10	.LEVER, FREE THROTTLE	1	

FIG.245



DF20A_P01_014_245
OPT:REMOTE CONTROL

FIG.245 (2-K-13) OPT:REMOTE CONTROL (DF9.9B P01)

REF NO.	PART NO.	DESCRIPTION	Q'TY	REMARKS
24	67243-95600	.BUSH	1	
25	67244-95600	.WASHER, WAVE	1	
26	67245-95600	.DRUM, FREE THROTTLE	1	
27	67251-99E10	.LEVER, HANDLE	1	
28	67252-95600	.BUSH	2	
29	67253-95600	.WASHER	1	
30	67255-99E00	.ARM, LOCK	1	
31	67256-95600	.HOLDER, NEUT LOCK	1	
32	67257-99E00	.CAP, LEVER	1	
33	67258-99E00	.BRACKET, LOCK ARM	1	
34	67259-87D00	.SPRING, NEUTRAL ARM	1	
35	67261-99E00	.GRIP	1	
36	67296-94310	.SCREW	1	
37	67264-95600	.WASHER	1	
38	67267-93J00	.COVER, WIRE	1	
39	67273-95600	.SPACER	1	
40	67275-95600	.END, CABLE	2	
41	67288-92E00	.WASHER, BRAKE ADJ KNOB	1	
42	67292-94300	.E RING	3	
43	67294-95600	.SPACER	3	
44	67296-90J00	.SCREW	5	
45	67296-94300	.SCREW	2	
46	67296-95600	.SCREW	3	
47	67296-95610	.SCREW	2	
48	67297-95600	.WASHER	2	
49	09126-05003	.SCREW (5X12)	2	
50	09140-06020	.NUT	3	
51	09160-06104	.WASHER (6.5X24X2)	3	
52	37859-90J00	.SPACER	1	
53	36620-94J01	WIRE ASSY, REMOTE CONTROL	1	
54	09481-10501	.FUSE (10A)	1	
55	67140-95600	ATTACHMENT, TWIN REMOCON KIT	1	
56	67294-95600	.SPACER	3	
57	67296-95620	.SCREW (L:165)	3	

DF20A_P01_014

FIG.245

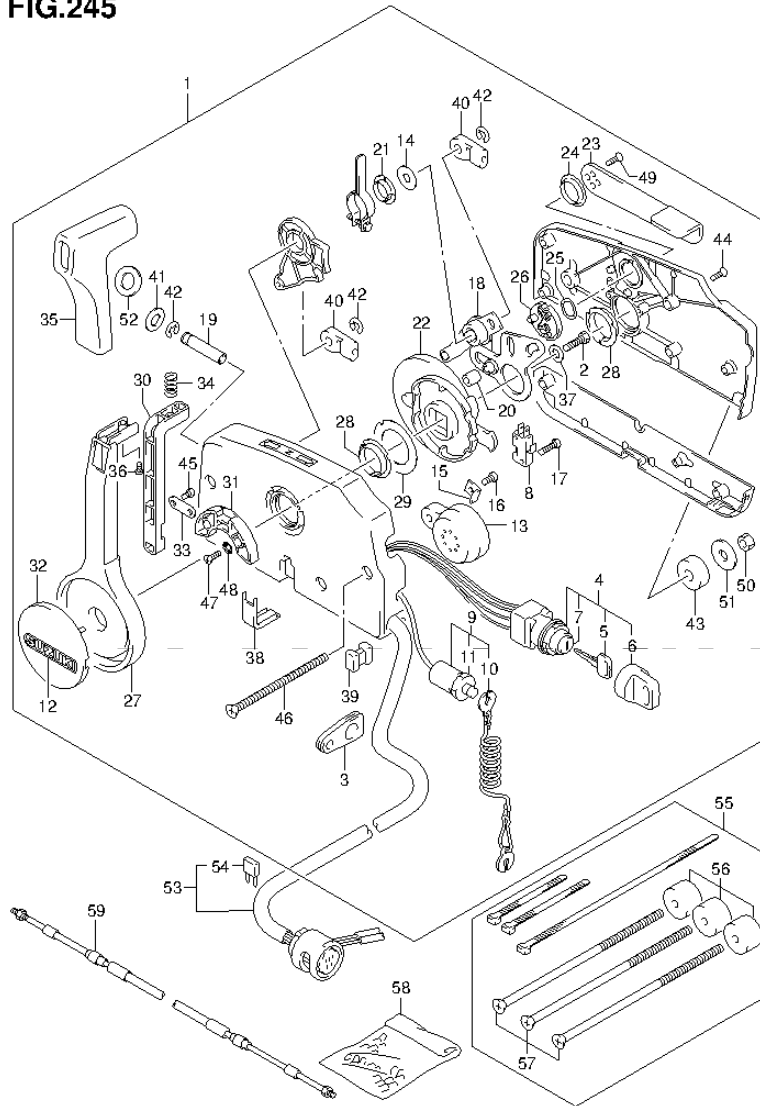
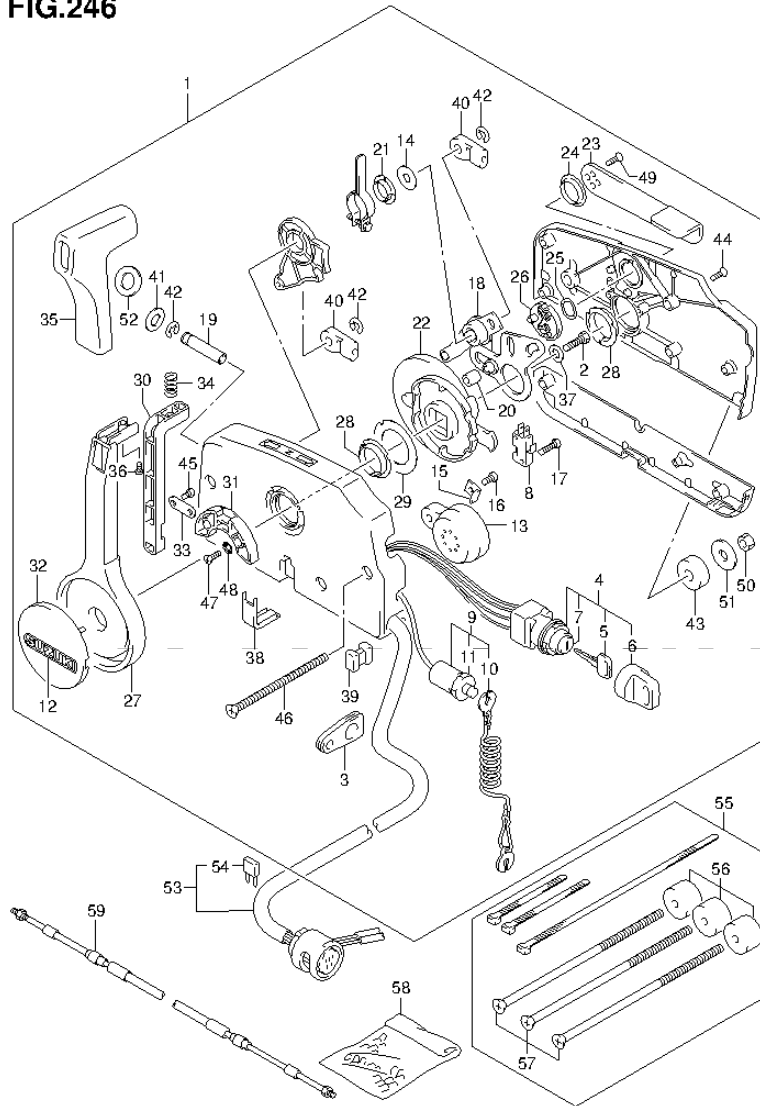


FIG.245 (2-K-14) OPT:REMOTE CONTROL (DF9.9B P01)

REF NO.	PART NO.	DESCRIPTION	Q'TY	REMARKS
58	36990-87D00	TERMINAL & SLEEVE SET	1	
59-1	67320-93J00	CABLE, REMOCON 8F (2.4M)	1	
59-2	67320-93J10	CABLE, REMOCON 10F (3.1M)	1	
59-3	67320-93J20	CABLE, REMOCON 12F (3.7M)	1	
59-4	67320-93J30	CABLE, REMOCON 14F (4.2M)	1	
59-5	67320-93J40	CABLE, REMOCON 16F (4.8M)	1	
59-6	67320-93J50	CABLE, REMOCON 18F (5.4M)	1	
59-7	67320-93J60	CABLE, REMOCON 20F (6.1M)	1	
59-8	67320-93J70	CABLE, REMOCON 22F (6.7M)	1	
59-9	67320-93J80	CABLE, REMOCON 24F (7.3M)	1	

FIG.246



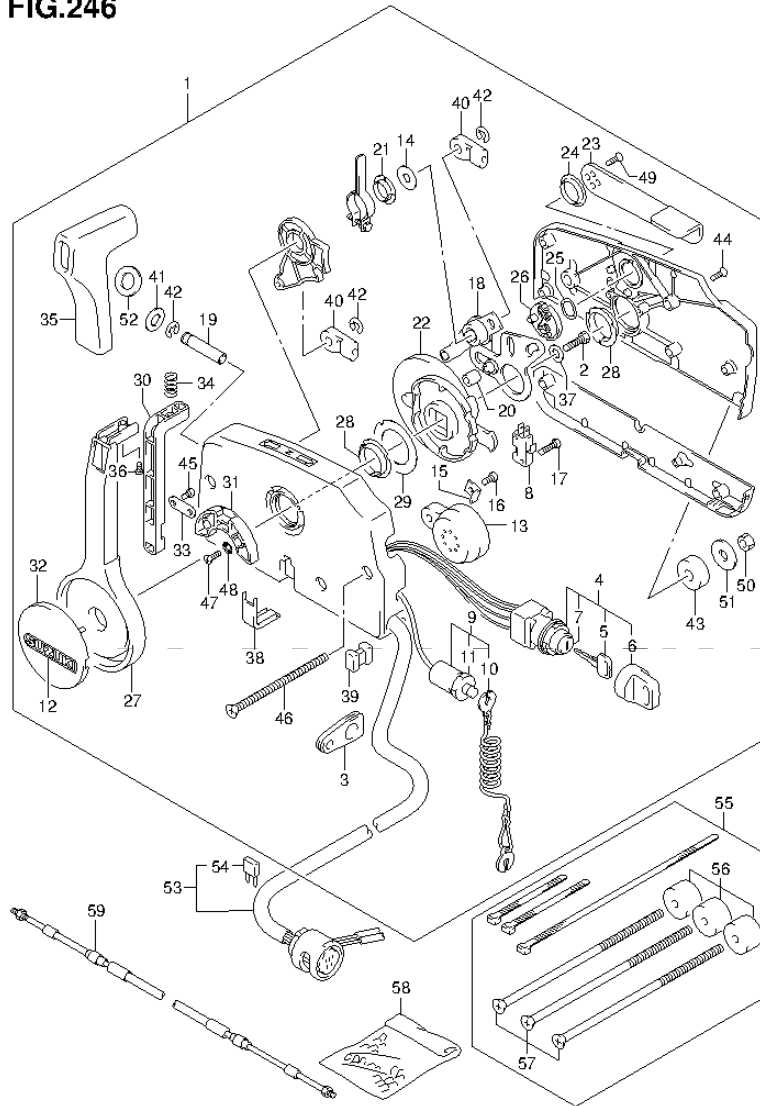
DF20A_P01_014_246
OPT:REMOTE CONTROL

FIG.246 (2-K-15) OPT:REMOTE CONTROL (DF15A P01)

REF NO.	PART NO.	DESCRIPTION	Q'TY	REMARKS
1	67200-94J15	REMOTE CONTROL ASSY	1	
2	09100-08232	.BOLT (8X30)	1	
3	36628-92E00	.GROMMET, WIRE HARNESS	1	
4	37110-94J02	.SWITCH ASSY, IGNITION	1	
5-1	37141-99E00	..KEY (931)	2	
5-2	37141-99E10	..KEY (932)	2	
5-3	37141-99E20	..KEY (933)	2	
5-4	37141-99E30	..KEY (934)	2	
5-5	37141-99E40	..KEY (935)	2	
5-6	37141-99E50	..KEY (936)	2	
5-7	37141-99E60	..KEY (937)	2	
5-8	37141-99E70	..KEY (938)	2	
5-9	37141-99E80	..KEY (939)	2	
5-10	37141-99E90	..KEY (940)	2	
5-11	37141-99EA0	..KEY (941)	2	
5-12	37141-99EB0	..KEY (942)	2	
6	37143-99E00	..CAP, KEY	2	
7	37149-93J00	..CAP, CYLINDER BODY	1	
8	37721-93J91	.SWITCH, NEUTRAL	1	
9	37820-93J03	.SWITCH ASSY, EMERGENCY	1	
10	37823-92E01	..PLATE	1	
11	37826-92E00	..NUT	1	
12	68165-16B00-13L	.EMBLEM, SUZUKI (SILVER)	1	
13	38500-93J00	.BUZZER	1	
14	67212-95600	.WASHER	1	
15	67213-92E00	.BRACKET, BUZZER	1	
16	09125-05042	.SCREW (5X10)	1	
17	67296-92E11	.SCREW, NEUTRAL SW	2	
18	67220-95630	.PLATE ASSY	1	
19	67223-99E10	.KNOB, BRAKE ADJUST	1	
20	67229-95600	.ROLLER	1	
21	67232-95600	.BUSH	1	
22	67238-87D00	.GEAR, DRIVE	1	
23	67241-99E10	.LEVER, FREE THROTTLE	1	

DF20A_P01_014

FIG.246



DF20A_P01_014_246
OPT:REMOTE CONTROL

FIG.246 (2-L-2) OPT:REMOTE CONTROL (DF15A P01)

REF NO.	PART NO.	DESCRIPTION	Q'TY	REMARKS
24	67243-95600	.BUSH	1	
25	67244-95600	.WASHER, WAVE	1	
26	67245-95600	.DRUM, FREE THROTTLE	1	
27	67251-99E10	.LEVER, HANDLE	1	
28	67252-95600	.BUSH	2	
29	67253-95600	.WASHER	1	
30	67255-99E00	.ARM, LOCK	1	
31	67256-95600	.HOLDER, NEUT LOCK	1	
32	67257-99E00	.CAP, LEVER	1	
33	67258-99E00	.BRACKET, LOCK ARM	1	
34	67259-87D00	.SPRING, NEUTRAL ARM	1	
35	67261-99E00	.GRIP	1	
36	67296-94310	.SCREW	1	
37	67264-95600	.WASHER	1	
38	67267-93J00	.COVER, WIRE	1	
39	67273-95600	.SPACER	1	
40	67275-95600	.END, CABLE	2	
41	67288-92E00	.WASHER, BRAKE ADJ KNOB	1	
42	67292-94300	.E RING	3	
43	67294-95600	.SPACER	3	
44	67296-90J00	.SCREW	5	
45	67296-94300	.SCREW	2	
46	67296-95600	.SCREW	3	
47	67296-95610	.SCREW	2	
48	67297-95600	.WASHER	2	
49	09126-05003	.SCREW (5X12)	2	
50	09140-06020	.NUT	3	
51	09160-06104	.WASHER (6.5X24X2)	3	
52	37859-90J00	.SPACER	1	
53	36620-94J01	.WIRE ASSY, REMOTE CONTROL	1	
54	09481-10501	.FUSE (10A)	1	
55	67140-95600	.ATTACHMENT, TWIN REMOCON KIT	1	
56	67294-95600	.SPACER	3	
57	67296-95620	.SCREW (L:165)	3	

DF20A_P01_014

FIG.246

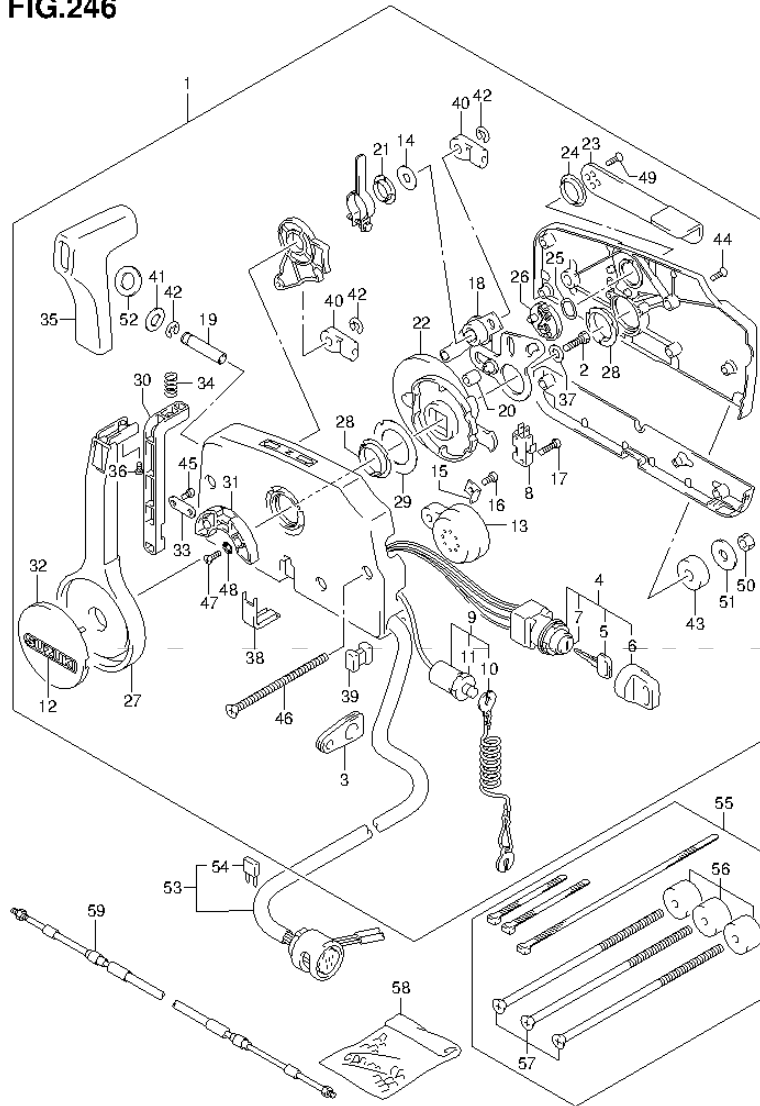
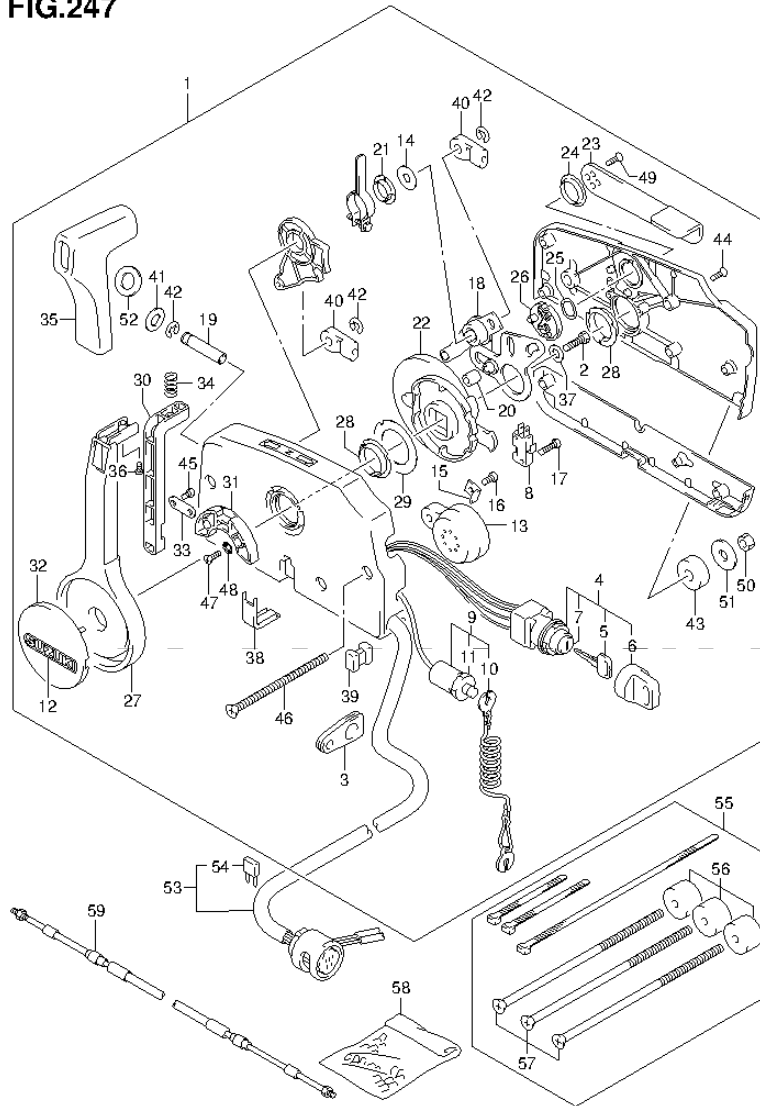


FIG.246 (2-L-3) OPT:REMOTE CONTROL (DF15A P01)

REF NO.	PART NO.	DESCRIPTION	Q'TY	REMARKS
58	36990-87D00	TERMINAL & SLEEVE SET	1	
59-1	67320-93J00	CABLE, REMOCON 8F (2.4M)	1	
59-2	67320-93J10	CABLE, REMOCON 10F (3.1M)	1	
59-3	67320-93J20	CABLE, REMOCON 12F (3.7M)	1	
59-4	67320-93J30	CABLE, REMOCON 14F (4.2M)	1	
59-5	67320-93J40	CABLE, REMOCON 16F (4.8M)	1	
59-6	67320-93J50	CABLE, REMOCON 18F (5.4M)	1	
59-7	67320-93J60	CABLE, REMOCON 20F (6.1M)	1	
59-8	67320-93J70	CABLE, REMOCON 22F (6.7M)	1	
59-9	67320-93J80	CABLE, REMOCON 24F (7.3M)	1	

FIG.247



DF20A_P01_014_247
OPT:REMOTE CONTROL

FIG.247 (2-L-4) OPT:REMOTE CONTROL (DF20A P01)

REF NO.	PART NO.	DESCRIPTION	Q'TY	REMARKS
1	67200-94J15	REMOTE CONTROL ASSY	1	
2	09100-08232	.BOLT (8X30)	1	
3	36628-92E00	.GROMMET, WIRE HARNESS	1	
4	37110-94J02	.SWITCH ASSY, IGNITION	1	
5-1	37141-99E00	..KEY (931)	2	
5-2	37141-99E10	..KEY (932)	2	
5-3	37141-99E20	..KEY (933)	2	
5-4	37141-99E30	..KEY (934)	2	
5-5	37141-99E40	..KEY (935)	2	
5-6	37141-99E50	..KEY (936)	2	
5-7	37141-99E60	..KEY (937)	2	
5-8	37141-99E70	..KEY (938)	2	
5-9	37141-99E80	..KEY (939)	2	
5-10	37141-99E90	..KEY (940)	2	
5-11	37141-99EA0	..KEY (941)	2	
5-12	37141-99EB0	..KEY (942)	2	
6	37143-99E00	..CAP, KEY	2	
7	37149-93J00	..CAP, CYLINDER BODY	1	
8	37721-93J91	.SWITCH, NEUTRAL	1	
9	37820-93J03	.SWITCH ASSY, EMERGENCY	1	
10	37823-92E01	..PLATE	1	
11	37826-92E00	..NUT	1	
12	68165-16B00-13L	.EMBLEM, SUZUKI (SILVER)	1	
13	38500-93J00	.BUZZER	1	
14	67212-95600	.WASHER	1	
15	67213-92E00	.BRACKET, BUZZER	1	
16	09125-05042	.SCREW (5X10)	1	
17	67296-92E11	.SCREW, NEUTRAL SW	2	
18	67220-95630	.PLATE ASSY	1	
19	67223-99E10	.KNOB, BRAKE ADJUST	1	
20	67229-95600	.ROLLER	1	
21	67232-95600	.BUSH	1	
22	67238-87D00	.GEAR, DRIVE	1	
23	67241-99E10	.LEVER, FREE THROTTLE	1	

DF20A_P01_014

FIG.247

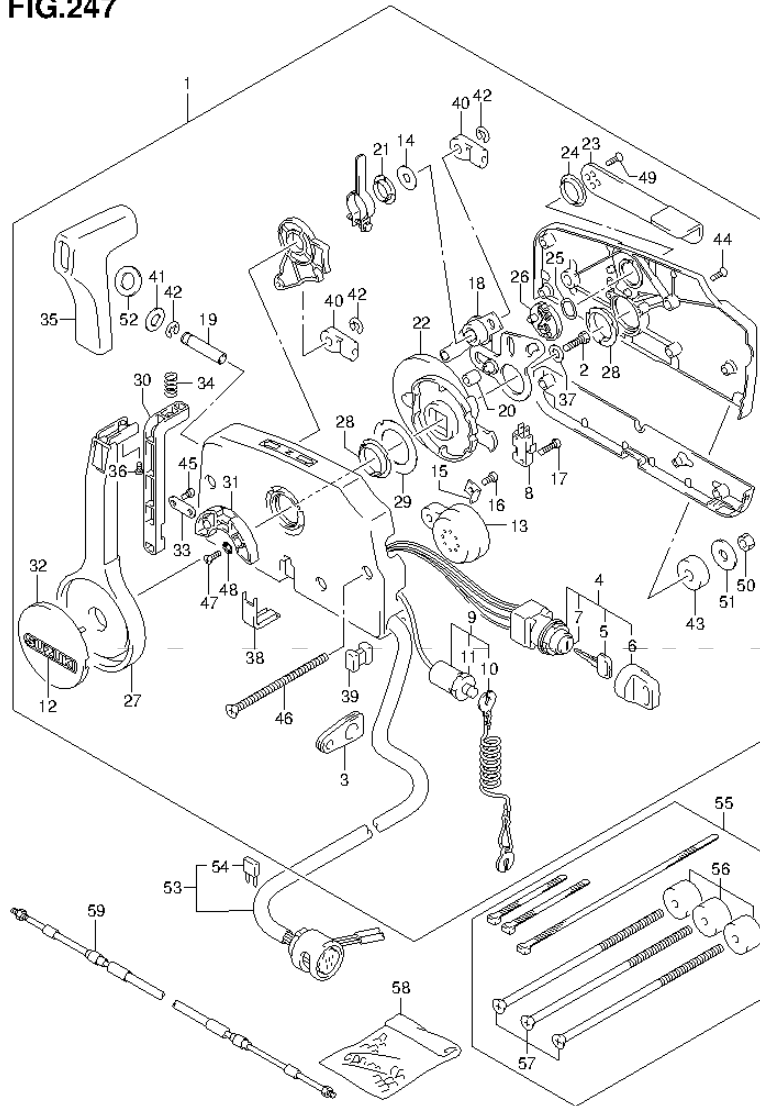


FIG.247 (2-L-5) OPT:REMOTE CONTROL (DF20A P01)

REF NO.	PART NO.	DESCRIPTION	Q'TY	REMARKS
24	67243-95600	.BUSH	1	
25	67244-95600	.WASHER, WAVE	1	
26	67245-95600	.DRUM, FREE THROTTLE	1	
27	67251-99E10	.LEVER, HANDLE	1	
28	67252-95600	.BUSH	2	
29	67253-95600	.WASHER	1	
30	67255-99E00	.ARM, LOCK	1	
31	67256-95600	.HOLDER, NEUT LOCK	1	
32	67257-99E00	.CAP, LEVER	1	
33	67258-99E00	.BRACKET, LOCK ARM	1	
34	67259-87D00	.SPRING, NEUTRAL ARM	1	
35	67261-99E00	.GRIP	1	
36	67296-94310	.SCREW	1	
37	67264-95600	.WASHER	1	
38	67267-93J00	.COVER, WIRE	1	
39	67273-95600	.SPACER	1	
40	67275-95600	.END, CABLE	2	
41	67288-92E00	.WASHER, BRAKE ADJ KNOB	1	
42	67292-94300	.E RING	3	
43	67294-95600	.SPACER	3	
44	67296-90J00	.SCREW	5	
45	67296-94300	.SCREW	2	
46	67296-95600	.SCREW	3	
47	67296-95610	.SCREW	2	
48	67297-95600	.WASHER	2	
49	09126-05003	.SCREW (5X12)	2	
50	09140-06020	.NUT	3	
51	09160-06104	.WASHER (6.5X24X2)	3	
52	37859-90J00	.SPACER	1	
53	36620-94J01	WIRE ASSY, REMOTE CONTROL	1	
54	09481-10501	.FUSE (10A)	1	
55	67140-95600	ATTACHMENT, TWIN REMOCON KIT	1	
56	67294-95600	.SPACER	3	
57	67296-95620	.SCREW (L:165)	3	

FIG.247

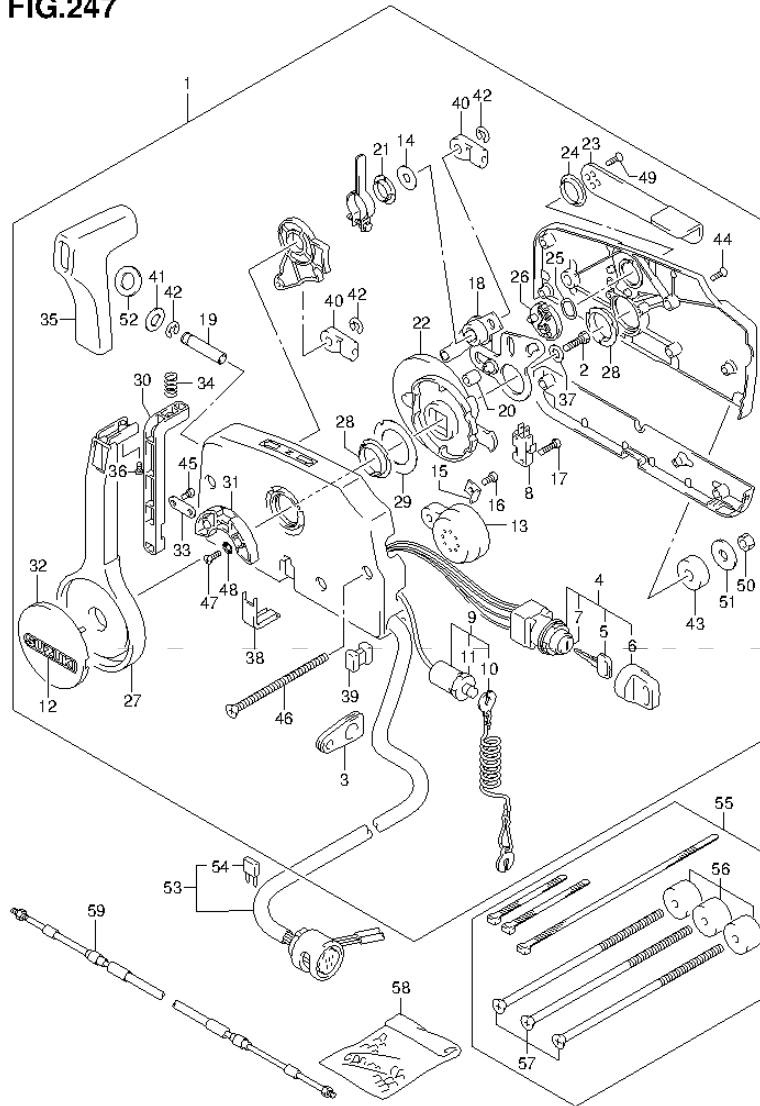


FIG.247 (2-L-6) OPT:REMOTE CONTROL (DF20A P01)

REF NO.	PART NO.	DESCRIPTION	Q'TY	REMARKS
58	36990-87D00	TERMINAL & SLEEVE SET	1	
59-1	67320-93J00	CABLE, REMOCON 8F (2.4M)	1	
59-2	67320-93J10	CABLE, REMOCON 10F (3.1M)	1	
59-3	67320-93J20	CABLE, REMOCON 12F (3.7M)	1	
59-4	67320-93J30	CABLE, REMOCON 14F (4.2M)	1	
59-5	67320-93J40	CABLE, REMOCON 16F (4.8M)	1	
59-6	67320-93J50	CABLE, REMOCON 18F (5.4M)	1	
59-7	67320-93J60	CABLE, REMOCON 20F (6.1M)	1	
59-8	67320-93J70	CABLE, REMOCON 22F (6.7M)	1	
59-9	67320-93J80	CABLE, REMOCON 24F (7.3M)	1	

FIG.248

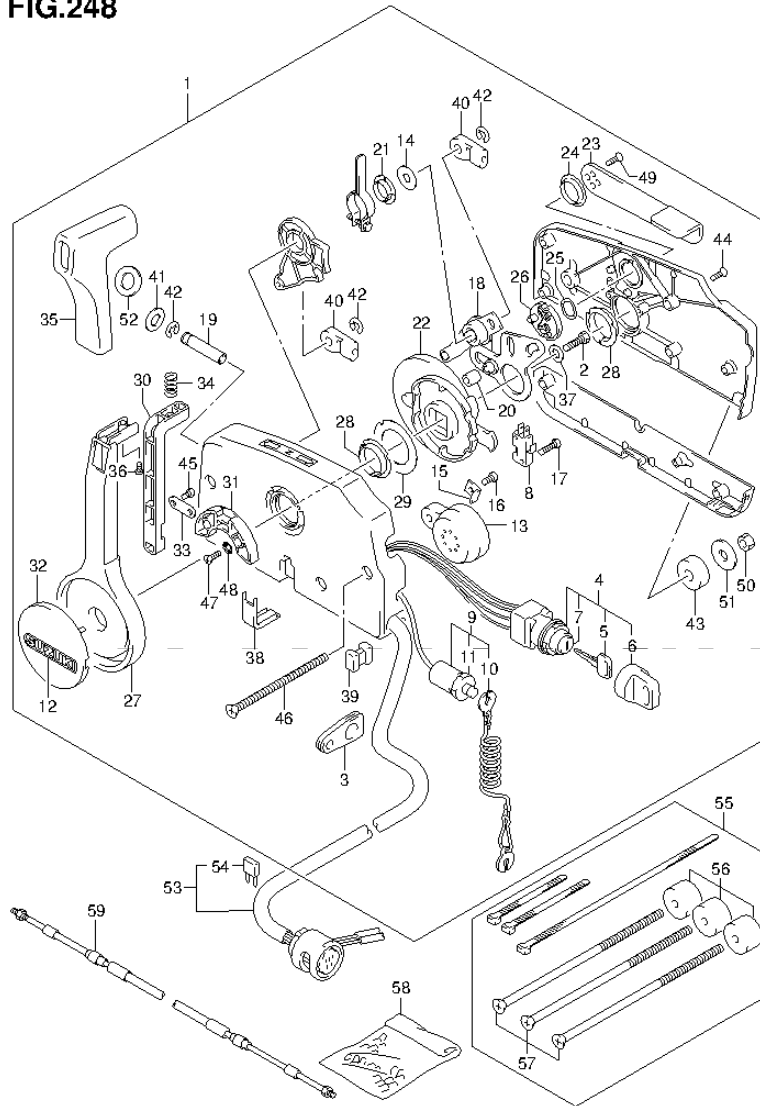
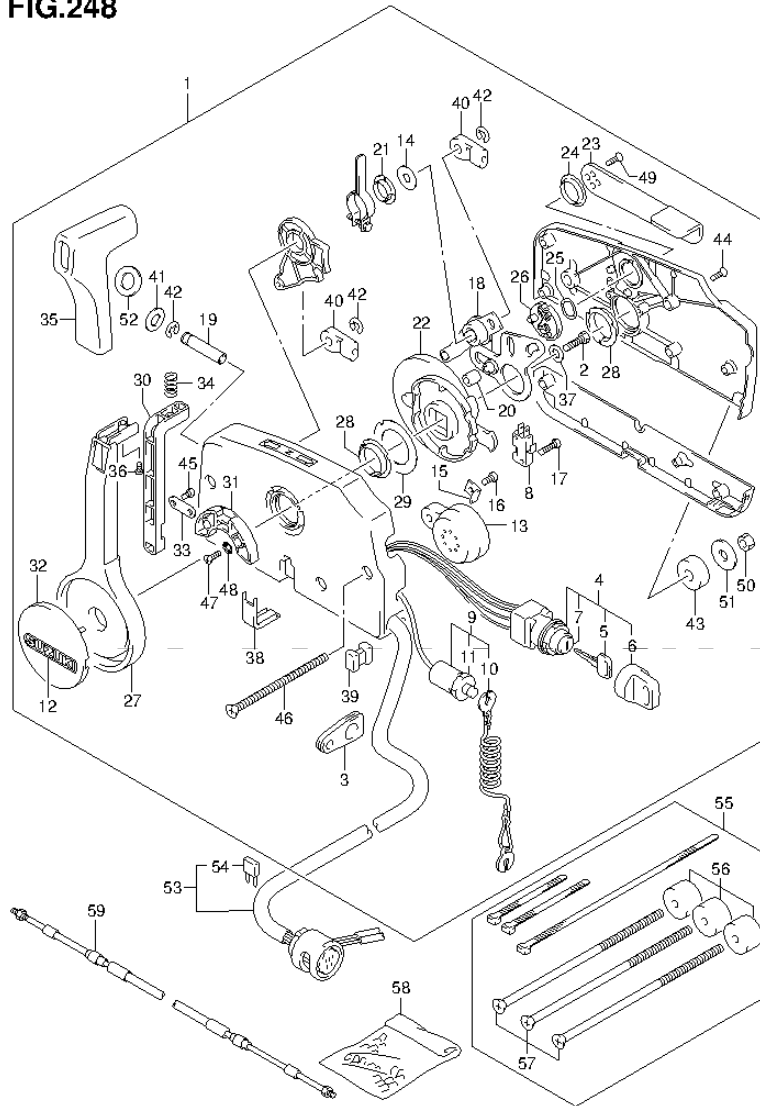


FIG.248 (2-L-7) OPT:REMOTE CONTROL (DF20A P40)

REF NO.	PART NO.	DESCRIPTION	Q'TY	REMARKS
1	67200-94J15	REMOTE CONTROL ASSY	1	
2	09100-08232	.BOLT (8X30)	1	
3	36628-92E00	.GROMMET, WIRE HARNESS	1	
4	37110-94J02	.SWITCH ASSY, IGNITION	1	
5-1	37141-99E00	..KEY (931)	2	
5-2	37141-99E10	..KEY (932)	2	
5-3	37141-99E20	..KEY (933)	2	
5-4	37141-99E30	..KEY (934)	2	
5-5	37141-99E40	..KEY (935)	2	
5-6	37141-99E50	..KEY (936)	2	
5-7	37141-99E60	..KEY (937)	2	
5-8	37141-99E70	..KEY (938)	2	
5-9	37141-99E80	..KEY (939)	2	
5-10	37141-99E90	..KEY (940)	2	
5-11	37141-99EA0	..KEY (941)	2	
5-12	37141-99EB0	..KEY (942)	2	
6	37143-99E00	..CAP, KEY	2	
7	37149-93J00	..CAP, CYLINDER BODY	1	
8	37721-93J91	.SWITCH, NEUTRAL	1	
9	37820-93J03	.SWITCH ASSY, EMERGENCY	1	
10	37823-92E01	..PLATE	1	
11	37826-92E00	..NUT	1	
12	68165-16B00-13L	.EMBLEM, SUZUKI (SILVER)	1	
13	38500-93J00	.BUZZER	1	
14	67212-95600	.WASHER	1	
15	67213-92E00	.BRACKET, BUZZER	1	
16	09125-05042	.SCREW (5X10)	1	
17	67296-92E11	.SCREW, NEUTRAL SW	2	
18	67220-95630	.PLATE ASSY	1	
19	67223-99E10	.KNOB, BRAKE ADJUST	1	
20	67229-95600	.ROLLER	1	
21	67232-95600	.BUSH	1	
22	67238-87D00	.GEAR, DRIVE	1	
23	67241-99E10	.LEVER, FREE THROTTLE	1	

FIG.248



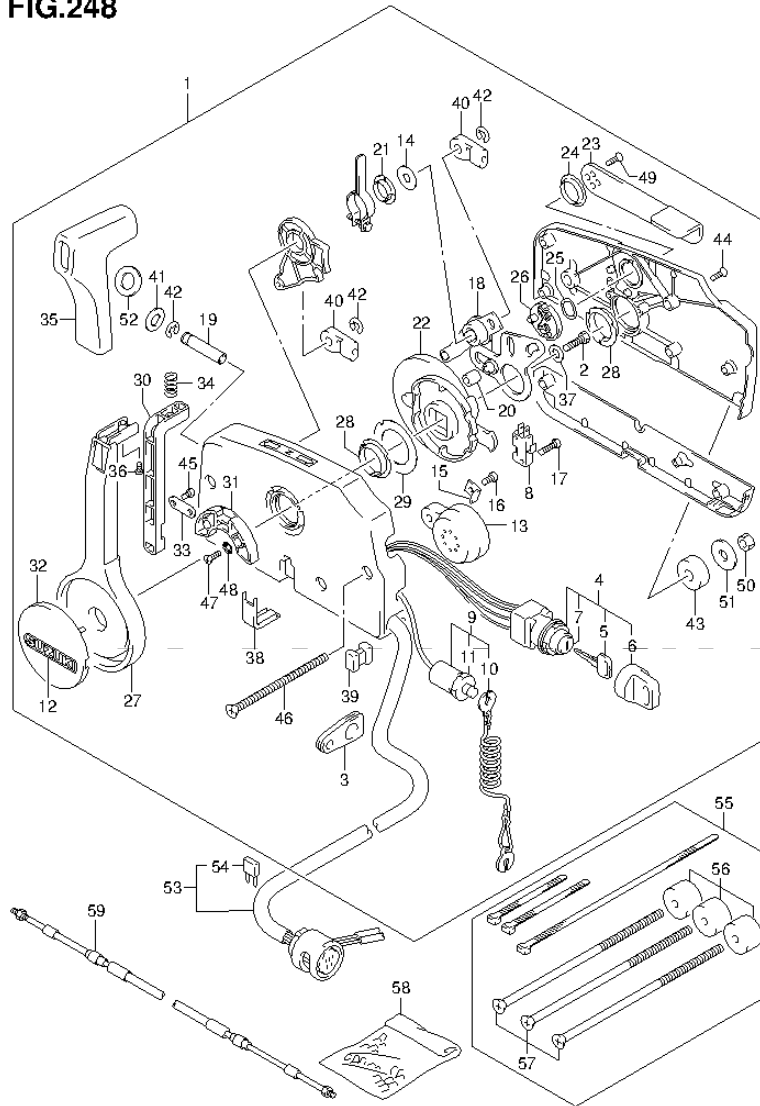
DF20A_P01_014_248
OPT:REMOTE CONTROL

FIG.248 (2-L-8) OPT:REMOTE CONTROL (DF20A P40)

REF NO.	PART NO.	DESCRIPTION	Q'TY	REMARKS
24	67243-95600	.BUSH	1	
25	67244-95600	.WASHER, WAVE	1	
26	67245-95600	.DRUM, FREE THROTTLE	1	
27	67251-99E10	.LEVER, HANDLE	1	
28	67252-95600	.BUSH	2	
29	67253-95600	.WASHER	1	
30	67255-99E00	.ARM, LOCK	1	
31	67256-95600	.HOLDER, NEUT LOCK	1	
32	67257-99E00	.CAP, LEVER	1	
33	67258-99E00	.BRACKET, LOCK ARM	1	
34	67259-87D00	.SPRING, NEUTRAL ARM	1	
35	67261-99E00	.GRIP	1	
36	67296-94310	.SCREW	1	
37	67264-95600	.WASHER	1	
38	67267-93J00	.COVER, WIRE	1	
39	67273-95600	.SPACER	1	
40	67275-95600	.END, CABLE	2	
41	67288-92E00	.WASHER, BRAKE ADJ KNOB	1	
42	67292-94300	.E RING	3	
43	67294-95600	.SPACER	3	
44	67296-90J00	.SCREW	5	
45	67296-94300	.SCREW	2	
46	67296-95600	.SCREW	3	
47	67296-95610	.SCREW	2	
48	67297-95600	.WASHER	2	
49	09126-05003	.SCREW (5X12)	2	
50	09140-06020	.NUT	3	
51	09160-06104	.WASHER (6.5X24X2)	3	
52	37859-90J00	.SPACER	1	
53	36620-94J01	.WIRE ASSY, REMOTE CONTROL	1	
54	09481-10501	.FUSE (10A)	1	
55	67140-95600	.ATTACHMENT, TWIN REMOCON KIT	1	
56	67294-95600	.SPACER	3	
57	67296-95620	.SCREW (L:165)	3	

DF20A_P01_014

FIG.248



DF20A_P01_014_248
OPT:REMOTE CONTROL

FIG.248 (2-L-9) OPT:REMOTE CONTROL (DF20A P40)

REF NO.	PART NO.	DESCRIPTION	Q'TY	REMARKS
58	36990-87D00	TERMINAL & SLEEVE SET	1	
59-1	67320-93J00	CABLE, REMOCON 8F (2.4M)	1	
59-2	67320-93J10	CABLE, REMOCON 10F (3.1M)	1	
59-3	67320-93J20	CABLE, REMOCON 12F (3.7M)	1	
59-4	67320-93J30	CABLE, REMOCON 14F (4.2M)	1	
59-5	67320-93J40	CABLE, REMOCON 16F (4.8M)	1	
59-6	67320-93J50	CABLE, REMOCON 18F (5.4M)	1	
59-7	67320-93J60	CABLE, REMOCON 20F (6.1M)	1	
59-8	67320-93J70	CABLE, REMOCON 22F (6.7M)	1	
59-9	67320-93J80	CABLE, REMOCON 24F (7.3M)	1	

DF20A_P01_014

FIG.249

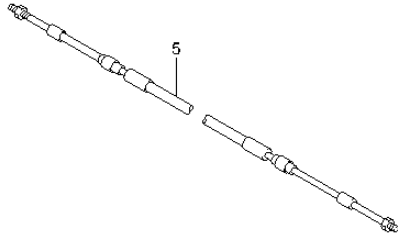
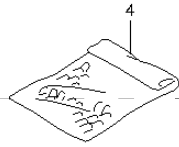
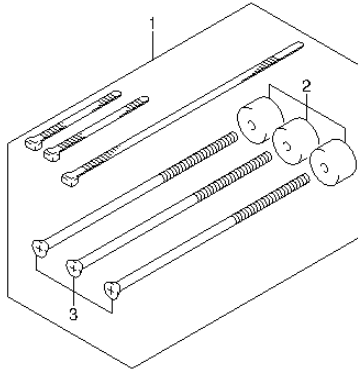


FIG.249 (2-L-10) OPT:REMOCON CABLE (DF9.9BR P01)

REF NO.	PART NO.	DESCRIPTION	Q'TY	REMARKS
1	67140-95600	ATTACHMENT, TWIN REMOCON KIT	1	
2	67294-95600	.SPACER	3	
3	67296-95620	.SCREW (L:165)	3	
4	36990-87D00	TERMINAL & SLEEVE SET	1	
5-1	67320-93J00	CABLE, REMOCON 8F (2.4M)	1	
5-2	67320-93J10	CABLE, REMOCON 10F (3.1M)	1	
5-3	67320-93J20	CABLE, REMOCON 12F (3.7M)	1	
5-4	67320-93J30	CABLE, REMOCON 14F (4.2M)	1	
5-5	67320-93J40	CABLE, REMOCON 16F (4.8M)	1	
5-6	67320-93J50	CABLE, REMOCON 18F (5.4M)	1	
5-7	67320-93J60	CABLE, REMOCON 20F (6.1M)	1	
5-8	67320-93J70	CABLE, REMOCON 22F (6.7M)	1	
5-9	67320-93J80	CABLE, REMOCON 24F (7.3M)	1	

FIG.250

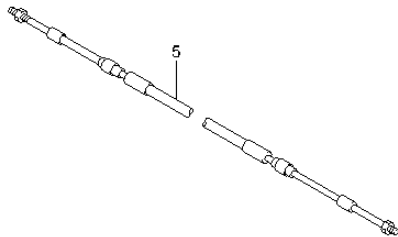
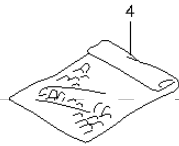
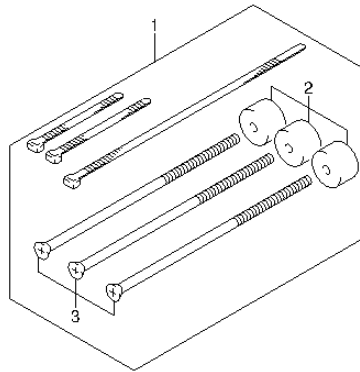


FIG.250 (2-L-11) OPT:REMOCON CABLE (DF9.9BT P01)

REF NO.	PART NO.	DESCRIPTION	Q'TY	REMARKS
1	67140-95600	ATTACHMENT, TWIN REMOCON KIT	1	
2	67294-95600	.SPACER	3	
3	67296-95620	.SCREW (L:165)	3	
4	36990-87D00	TERMINAL & SLEEVE SET	1	
5-1	67320-93J00	CABLE, REMOCON 8F (2.4M)	1	
5-2	67320-93J10	CABLE, REMOCON 10F (3.1M)	1	
5-3	67320-93J20	CABLE, REMOCON 12F (3.7M)	1	
5-4	67320-93J30	CABLE, REMOCON 14F (4.2M)	1	
5-5	67320-93J40	CABLE, REMOCON 16F (4.8M)	1	
5-6	67320-93J50	CABLE, REMOCON 18F (5.4M)	1	
5-7	67320-93J60	CABLE, REMOCON 20F (6.1M)	1	
5-8	67320-93J70	CABLE, REMOCON 22F (6.7M)	1	
5-9	67320-93J80	CABLE, REMOCON 24F (7.3M)	1	

FIG.251

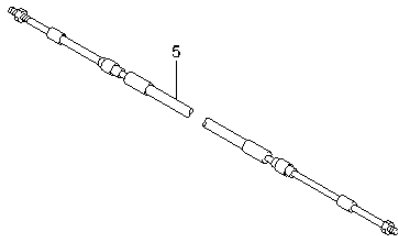
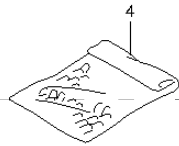
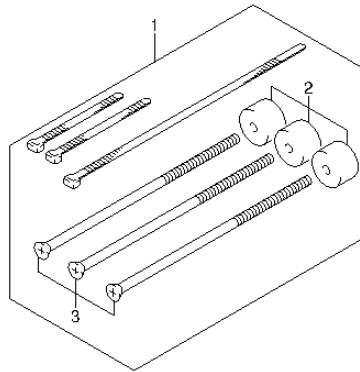


FIG.251 (2-L-12) OPT:REMOCON CABLE (DF15AR P01)

REF NO.	PART NO.	DESCRIPTION	Q'TY	REMARKS
1	67140-95600	ATTACHMENT, TWIN REMOCON KIT	1	
2	67294-95600	.SPACER	3	
3	67296-95620	.SCREW (L:165)	3	
4	36990-87D00	TERMINAL & SLEEVE SET	1	
5-1	67320-93J00	CABLE, REMOCON 8F (2.4M)	1	
5-2	67320-93J10	CABLE, REMOCON 10F (3.1M)	1	
5-3	67320-93J20	CABLE, REMOCON 12F (3.7M)	1	
5-4	67320-93J30	CABLE, REMOCON 14F (4.2M)	1	
5-5	67320-93J40	CABLE, REMOCON 16F (4.8M)	1	
5-6	67320-93J50	CABLE, REMOCON 18F (5.4M)	1	
5-7	67320-93J60	CABLE, REMOCON 20F (6.1M)	1	
5-8	67320-93J70	CABLE, REMOCON 22F (6.7M)	1	
5-9	67320-93J80	CABLE, REMOCON 24F (7.3M)	1	

FIG.252

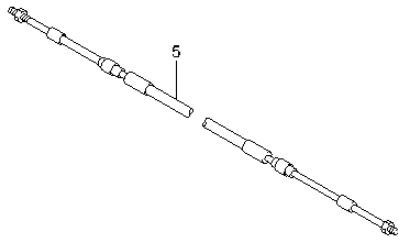
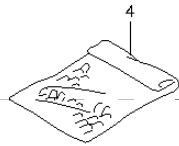
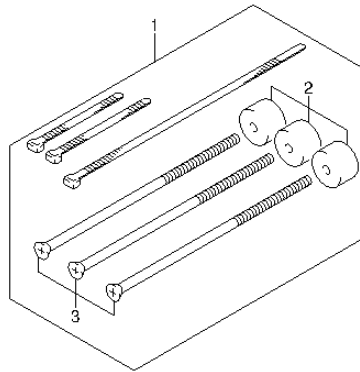


FIG.252 (2-L-13) OPT:REMOCON CABLE (DF20AR P01)

REF NO.	PART NO.	DESCRIPTION	Q'TY	REMARKS
1	67140-95600	ATTACHMENT, TWIN REMOCON KIT	1	
2	67294-95600	.SPACER	3	
3	67296-95620	.SCREW (L:165)	3	
4	36990-87D00	TERMINAL & SLEEVE SET	1	
5-1	67320-93J00	CABLE, REMOCON 8F (2.4M)	1	
5-2	67320-93J10	CABLE, REMOCON 10F (3.1M)	1	
5-3	67320-93J20	CABLE, REMOCON 12F (3.7M)	1	
5-4	67320-93J30	CABLE, REMOCON 14F (4.2M)	1	
5-5	67320-93J40	CABLE, REMOCON 16F (4.8M)	1	
5-6	67320-93J50	CABLE, REMOCON 18F (5.4M)	1	
5-7	67320-93J60	CABLE, REMOCON 20F (6.1M)	1	
5-8	67320-93J70	CABLE, REMOCON 22F (6.7M)	1	
5-9	67320-93J80	CABLE, REMOCON 24F (7.3M)	1	

FIG.253

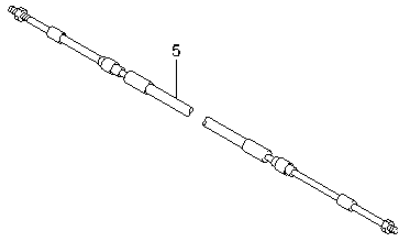
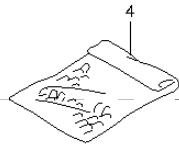
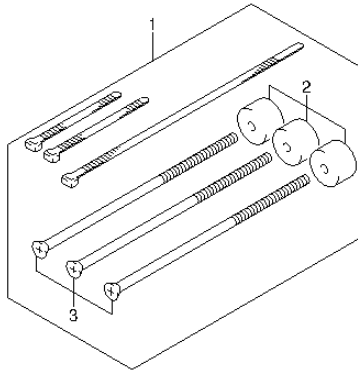


FIG.253 (2-L-14) OPT:REMOCON CABLE (DF20AT P01)

REF NO.	PART NO.	DESCRIPTION	Q'TY	REMARKS
1	67140-95600	ATTACHMENT, TWIN REMOCON KIT	1	
2	67294-95600	.SPACER	3	
3	67296-95620	.SCREW (L:165)	3	
4	36990-87D00	TERMINAL & SLEEVE SET	1	
5-1	67320-93J00	CABLE, REMOCON 8F (2.4M)	1	
5-2	67320-93J10	CABLE, REMOCON 10F (3.1M)	1	
5-3	67320-93J20	CABLE, REMOCON 12F (3.7M)	1	
5-4	67320-93J30	CABLE, REMOCON 14F (4.2M)	1	
5-5	67320-93J40	CABLE, REMOCON 16F (4.8M)	1	
5-6	67320-93J50	CABLE, REMOCON 18F (5.4M)	1	
5-7	67320-93J60	CABLE, REMOCON 20F (6.1M)	1	
5-8	67320-93J70	CABLE, REMOCON 22F (6.7M)	1	
5-9	67320-93J80	CABLE, REMOCON 24F (7.3M)	1	

FIG.254

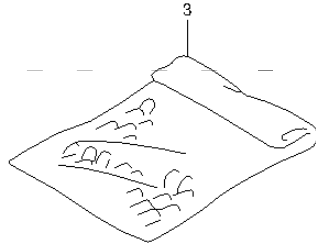
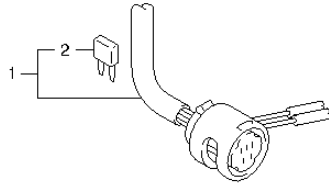


FIG.254 (2-L-15) OPT:REMOCON CABLE (ELECTRIC STARTER) (DF9.9B P01)

REF NO.	PART NO.	DESCRIPTION	Q'TY	REMARKS
1	36620-94J01	WIRE ASSY, REMOTE CONTROL	1	
2	09481-10501	.FUSE (10A)	1	
3	36990-87D00	TERMINAL & SLEEVE SET	1	

FIG.255

FIG.255 (3-B-2) OPT:REMOCON CABLE (ELECTRIC STARTER) (DF15A P01)

REF NO.	PART NO.	DESCRIPTION	Q'TY	REMARKS
1	36620-94J01	WIRE ASSY, REMOTE CONTROL	1	
2	09481-10501	.FUSE (10A)	1	
3	36990-87D00	TERMINAL & SLEEVE SET	1	

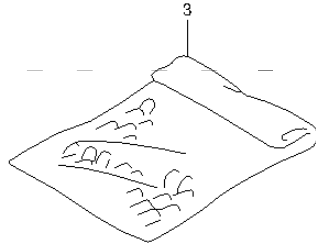
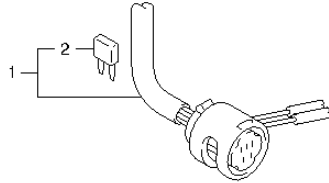


FIG.256

FIG.256 (3-B-3) OPT:REMOCON CABLE (ELECTRIC STARTER) (DF15ATH P01)

REF NO.	PART NO.	DESCRIPTION	Q'TY	REMARKS
1	36620-94J01	WIRE ASSY, REMOTE CONTROL	1	
2	09481-10501	.FUSE (10A)	1	
3	36990-87D00	TERMINAL & SLEEVE SET	1	

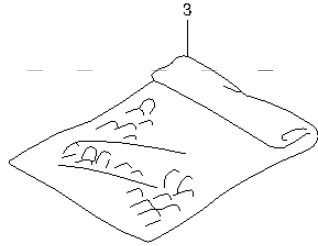
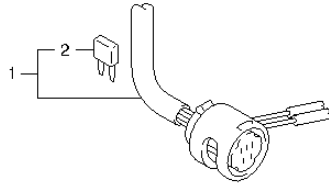


FIG.257

FIG.257 (3-B-4) OPT:REMOCON CABLE (ELECTRIC STARTER) (DF20A P01)

REF NO.	PART NO.	DESCRIPTION	Q'TY	REMARKS
1	36620-94J01	WIRE ASSY, REMOTE CONTROL	1	
2	09481-10501	.FUSE (10A)	1	
3	36990-87D00	TERMINAL & SLEEVE SET	1	

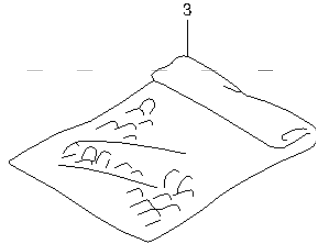
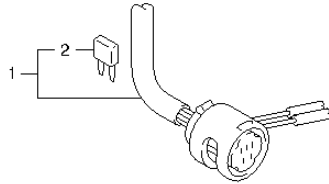


FIG.258

FIG.258 (3-B-5) OPT:REMOCON CABLE (ELECTRIC STARTER) (DF20A P40)

REF NO.	PART NO.	DESCRIPTION	Q'TY	REMARKS
1	36620-94J01	WIRE ASSY, REMOTE CONTROL	1	
2	09481-10501	.FUSE (10A)	1	
3	36990-87D00	TERMINAL & SLEEVE SET	1	

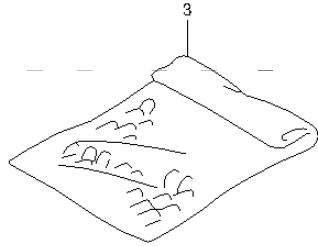
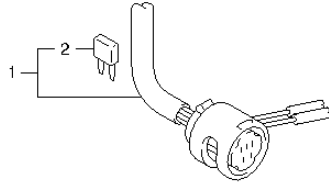


FIG.259

FIG.259 (3-B-6) OPT:REMOCON CABLE (ELECTRIC STARTER) (DF20ATH P01)

REF NO.	PART NO.	DESCRIPTION	Q'TY	REMARKS
1	36620-94J01	WIRE ASSY, REMOTE CONTROL	1	
2	09481-10501	.FUSE (10A)	1	
3	36990-87D00	TERMINAL & SLEEVE SET	1	

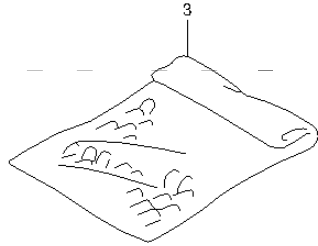
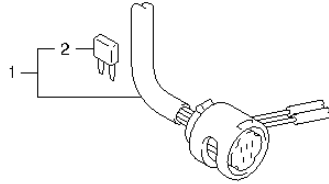


FIG.260

FIG.260 (3-B-7) OPT:DRAG LINK (DF9.9B P01)

REF NO.	PART NO.	DESCRIPTION	Q'TY	REMARKS
1	41161-94400	SEAL, STEERING CABLE	1	
2	67701-99J01	LINK ASSY, DRAG	1	
3	67721-89J00	.SPACER	1	
4	67725-99J00	.BOLT	1	
5	67726-99E00	.NUT	2	
6	67728-99E00	.WASHER	3	

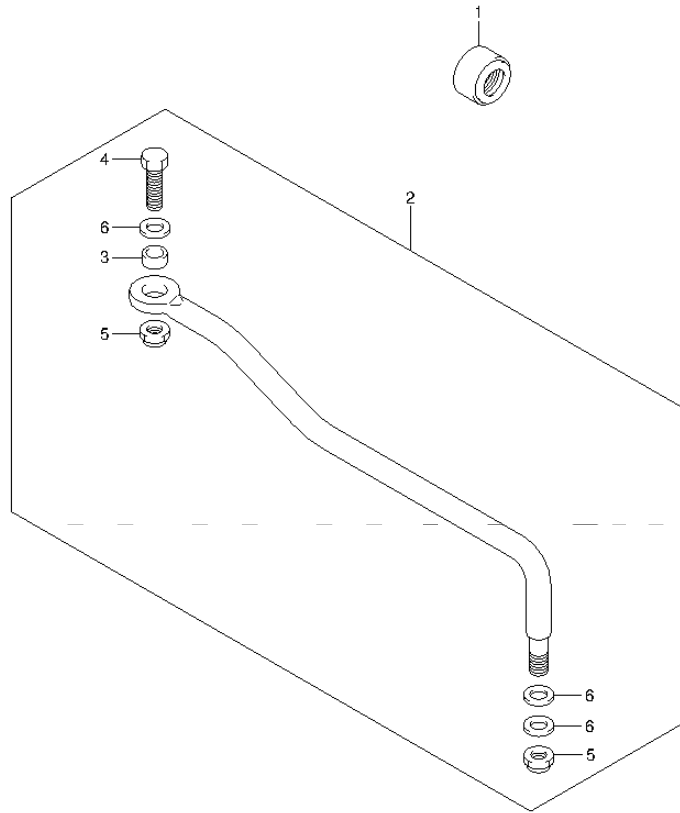


FIG.261

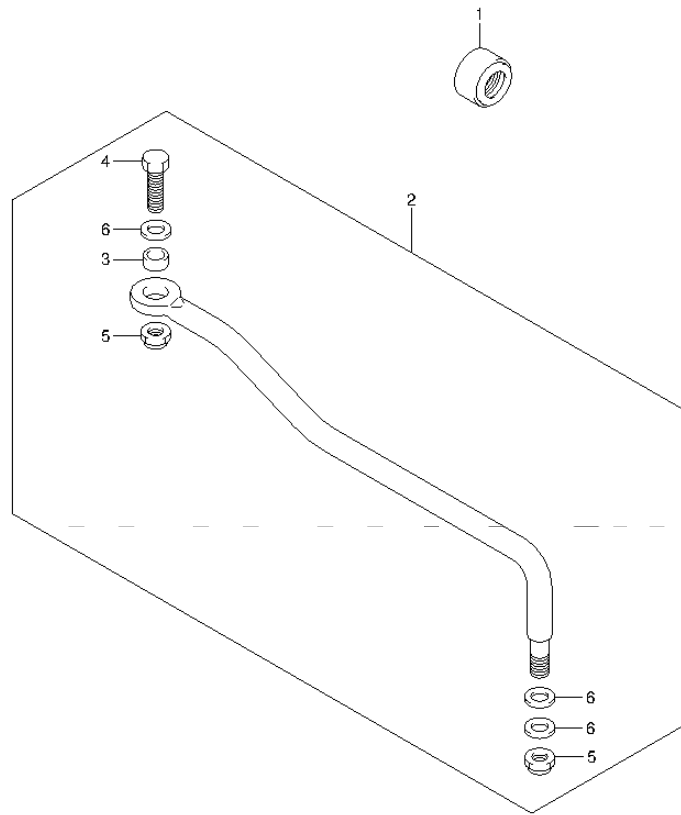


FIG.261 (3-B-8) OPT:DRAG LINK (DF15A P01)

REF NO.	PART NO.	DESCRIPTION	Q'TY	REMARKS
1	41161-94400	SEAL, STEERING CABLE	1	
2	67701-99J01	LINK ASSY, DRAG	1	
3	67721-89J00	.SPACER	1	
4	67725-99J00	.BOLT	1	
5	67726-99E00	.NUT	2	
6	67728-99E00	.WASHER	3	



FIG.262

FIG.262 (3-B-9) OPT:DRAG LINK (DF20A P01)

REF NO.	PART NO.	DESCRIPTION	Q'TY	REMARKS
1	41161-94400	SEAL, STEERING CABLE	1	
2	67701-99J01	LINK ASSY, DRAG	1	
3	67721-89J00	.SPACER	1	
4	67725-99J00	.BOLT	1	
5	67726-99E00	.NUT	2	
6	67728-99E00	.WASHER	3	

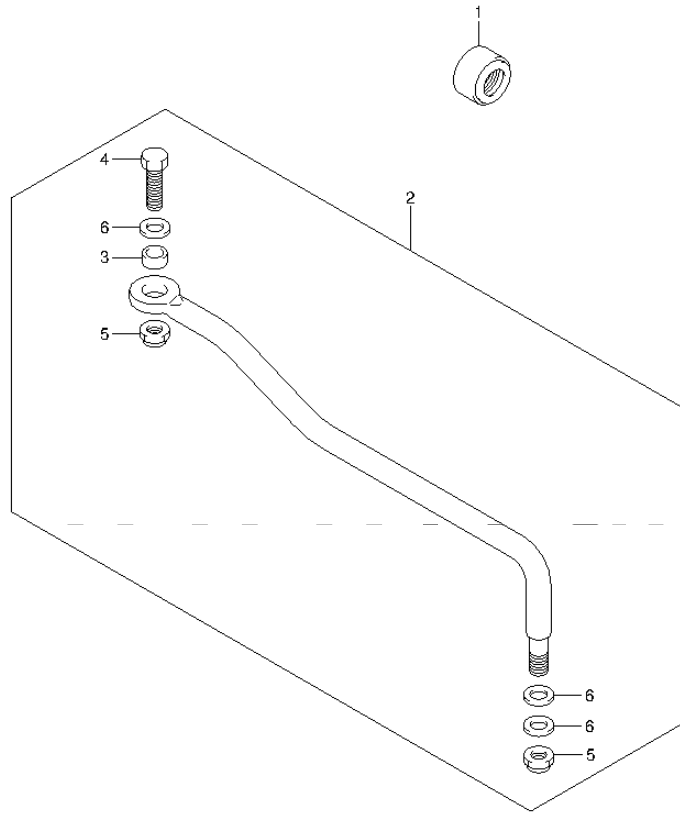


FIG.263

FIG.263 (3-B-10) OPT:DRAG LINK (DF20A P40)

REF NO.	PART NO.	DESCRIPTION	Q'TY	REMARKS
1	41161-94400	SEAL, STEERING CABLE	1	
2	67701-99J01	LINK ASSY, DRAG	1	
3	67721-89J00	.SPACER	1	
4	67725-99J00	.BOLT	1	
5	67726-99E00	.NUT	2	
6	67728-99E00	.WASHER	3	

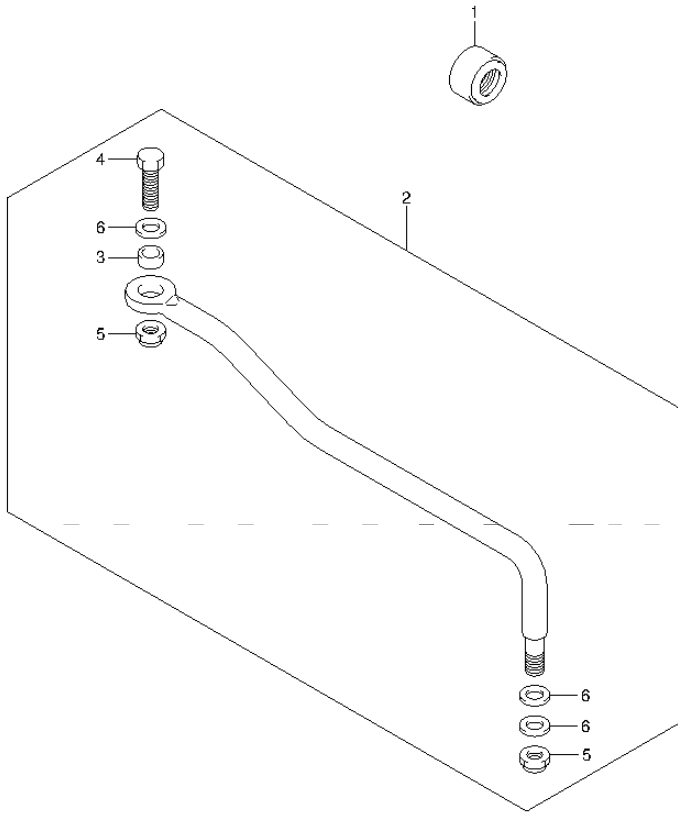


FIG.264

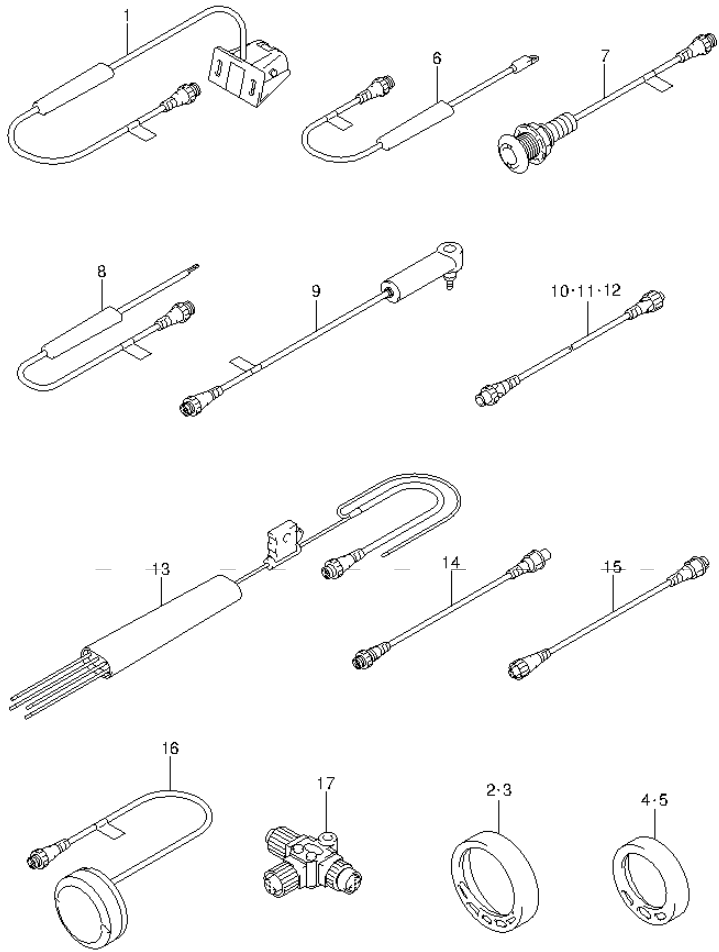


FIG.264 (3-B-11) OPT:LOWRANCE GAUGE (DF9.9BR P01)

REF NO.	PART NO.	DESCRIPTION	Q'TY	REMARKS
1	34190-88L00	SENSOR ASSY,PAD WHEEL	1	
2	34193-88L00	BEZEL, 4 IN CHR	1	
3	34193-88L20	BEZEL, 4 IN WHITE	1	
4	34193-88L40	BEZEL, 2 IN CHR	1	
5	34193-88L60	BEZEL, 2 IN WHITE	1	
6	34455-88L00	SENSOR ASSY, WATER TEMP	1	
7	34455-88L10	SENSOR ASSY, WATER TEMP	1	
8	34810-88L00	SENSOR ASSY, FLUID LEVEL	1	
9	34960-88L00	SENSOR ASSY, WATER PRESSURE	1	
10	36662-88L10	WIRE, 2 EXTENSION	1	
11	36662-88L20	WIRE, 6 EXTENSION	1	
12	36662-88L30	WIRE, 15 EXTENSION	1	
13	36663-88L10	HARNESS ASSY, NETWORK POWER	1	
14	36666-88L00	WIRE, ADAPTER TO N NETWORK	1	
15	36666-88L10	WIRE, ADAPTER TO L NETWORK	1	
16	39950-88L00	MODULE ASSY, GPS RECEIVER	1	
17	36664-88L00	CONNECTOR, BRANCH	1	

FIG.265

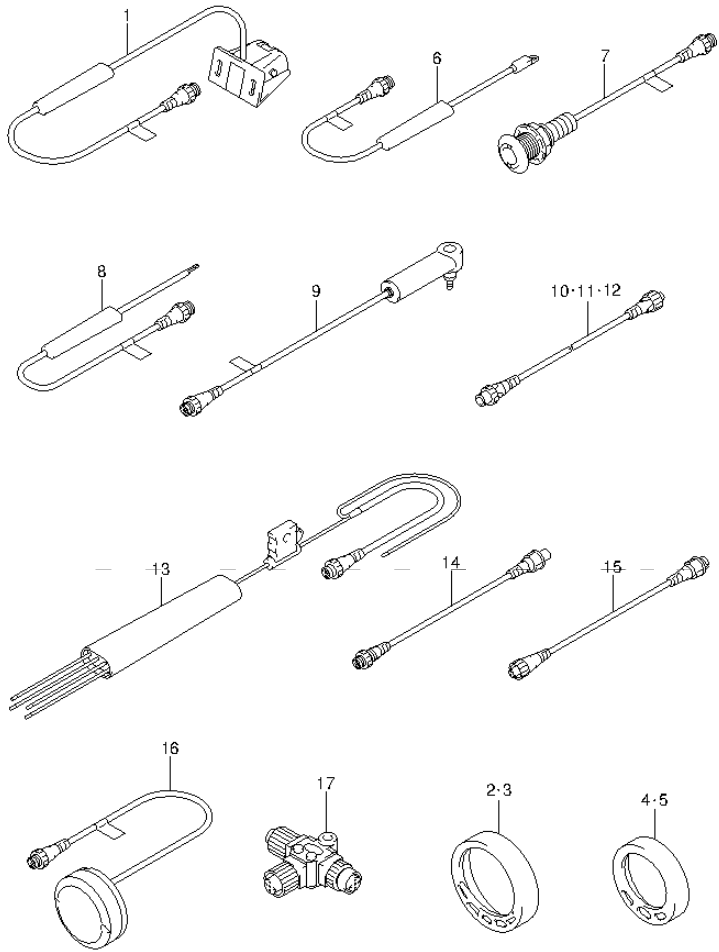


FIG.265 (3-B-12) OPT:LOWRANCE GAUGE (DF9.9BT P01)

REF NO.	PART NO.	DESCRIPTION	Q'TY	REMARKS
1	34190-88L00	SENSOR ASSY,PAD WHEEL	1	
2	34193-88L00	BEZEL, 4 IN CHR	1	
3	34193-88L20	BEZEL, 4 IN WHITE	1	
4	34193-88L40	BEZEL, 2 IN CHR	1	
5	34193-88L60	BEZEL, 2 IN WHITE	1	
6	34455-88L00	SENSOR ASSY, WATER TEMP	1	
7	34455-88L10	SENSOR ASSY, WATER TEMP	1	
8	34810-88L00	SENSOR ASSY, FLUID LEVEL	1	
9	34960-88L00	SENSOR ASSY, WATER PRESSURE	1	
10	36662-88L10	WIRE, 2 EXTENSION	1	
11	36662-88L20	WIRE, 6 EXTENSION	1	
12	36662-88L30	WIRE, 15 EXTENSION	1	
13	36663-88L10	HARNESS ASSY, NETWORK POWER	1	
14	36666-88L00	WIRE, ADAPTER TO N NETWORK	1	
15	36666-88L10	WIRE, ADAPTER TO L NETWORK	1	
16	39950-88L00	MODULE ASSY, GPS RECEIVER	1	
17	36664-88L00	CONNECTOR, BRANCH	1	

FIG.266

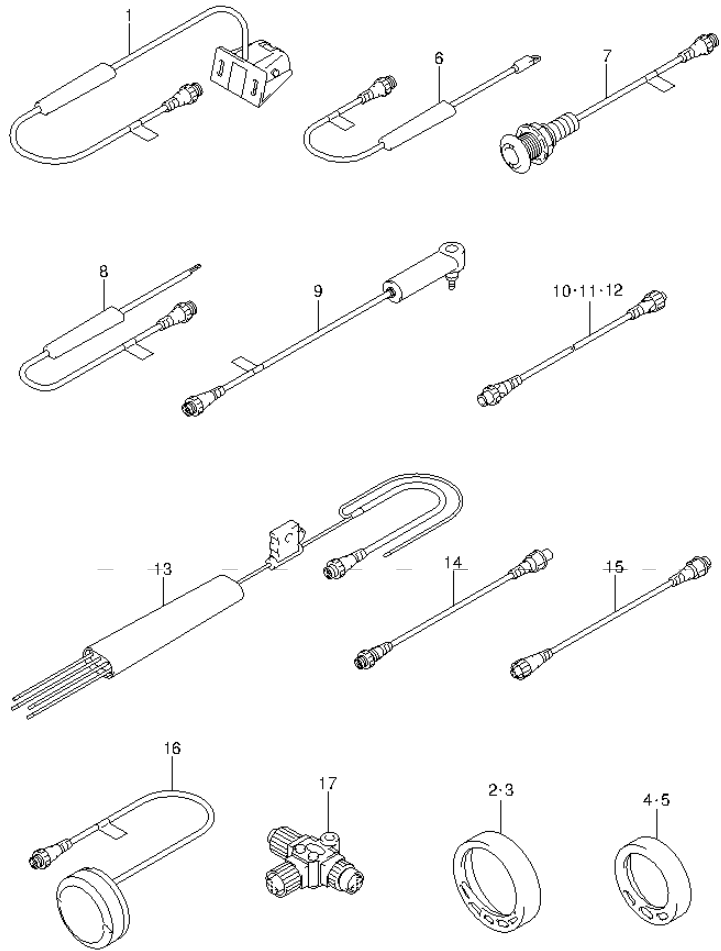


FIG.266 (3-B-13) OPT:LOWRANCE GAUGE (DF15AR P01)

REF NO.	PART NO.	DESCRIPTION	Q'TY	REMARKS
1	34190-88L00	SENSOR ASSY,PAD WHEEL	1	
2	34193-88L00	BEZEL, 4 IN CHR	1	
3	34193-88L20	BEZEL, 4 IN WHITE	1	
4	34193-88L40	BEZEL, 2 IN CHR	1	
5	34193-88L60	BEZEL, 2 IN WHITE	1	
6	34455-88L00	SENSOR ASSY, WATER TEMP	1	
7	34455-88L10	SENSOR ASSY, WATER TEMP	1	
8	34810-88L00	SENSOR ASSY, FLUID LEVEL	1	
9	34960-88L00	SENSOR ASSY, WATER PRESSURE	1	
10	36662-88L10	WIRE, 2 EXTENSION	1	
11	36662-88L20	WIRE, 6 EXTENSION	1	
12	36662-88L30	WIRE, 15 EXTENSION	1	
13	36663-88L10	HARNESS ASSY, NETWORK POWER	1	
14	36666-88L00	WIRE, ADAPTER TO N NETWORK	1	
15	36666-88L10	WIRE, ADAPTER TO L NETWORK	1	
16	39950-88L00	MODULE ASSY, GPS RECEIVER	1	
17	36664-88L00	CONNECTOR, BRANCH	1	

FIG.267

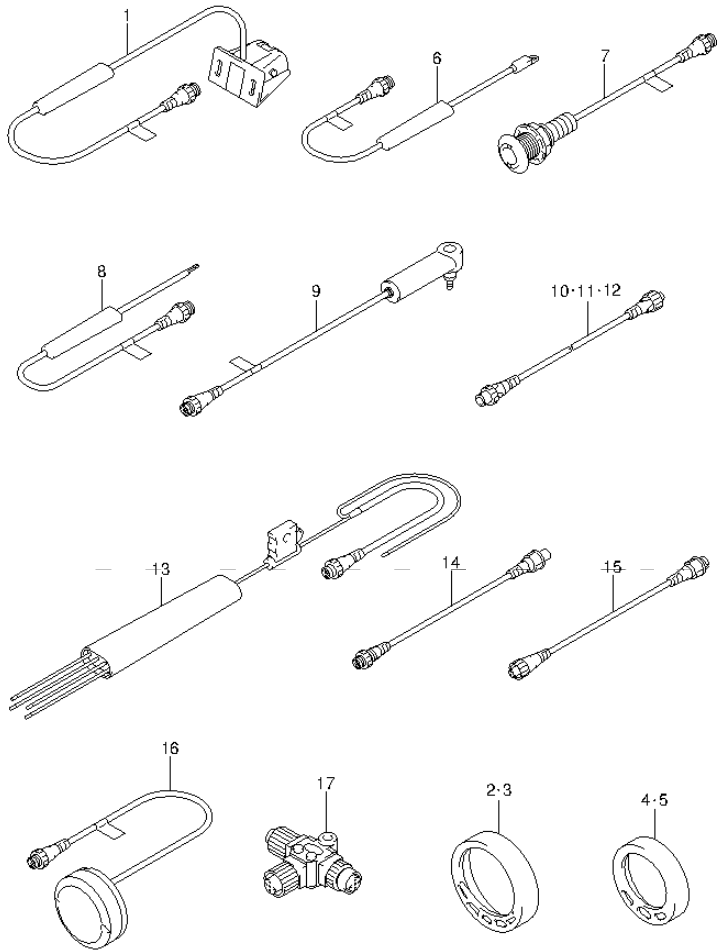


FIG.267 (3-B-14) OPT:LOWRANCE GAUGE (DF20AR P01)

REF NO.	PART NO.	DESCRIPTION	Q'TY	REMARKS
1	34190-88L00	SENSOR ASSY,PAD WHEEL	1	
2	34193-88L00	BEZEL, 4 IN CHR	1	
3	34193-88L20	BEZEL, 4 IN WHITE	1	
4	34193-88L40	BEZEL, 2 IN CHR	1	
5	34193-88L60	BEZEL, 2 IN WHITE	1	
6	34455-88L00	SENSOR ASSY, WATER TEMP	1	
7	34455-88L10	SENSOR ASSY, WATER TEMP	1	
8	34810-88L00	SENSOR ASSY, FLUID LEVEL	1	
9	34960-88L00	SENSOR ASSY, WATER PRESSURE	1	
10	36662-88L10	WIRE, 2 EXTENSION	1	
11	36662-88L20	WIRE, 6 EXTENSION	1	
12	36662-88L30	WIRE, 15 EXTENSION	1	
13	36663-88L10	HARNESS ASSY, NETWORK POWER	1	
14	36666-88L00	WIRE, ADAPTER TO N NETWORK	1	
15	36666-88L10	WIRE, ADAPTER TO L NETWORK	1	
16	39950-88L00	MODULE ASSY, GPS RECEIVER	1	
17	36664-88L00	CONNECTOR, BRANCH	1	

FIG.268

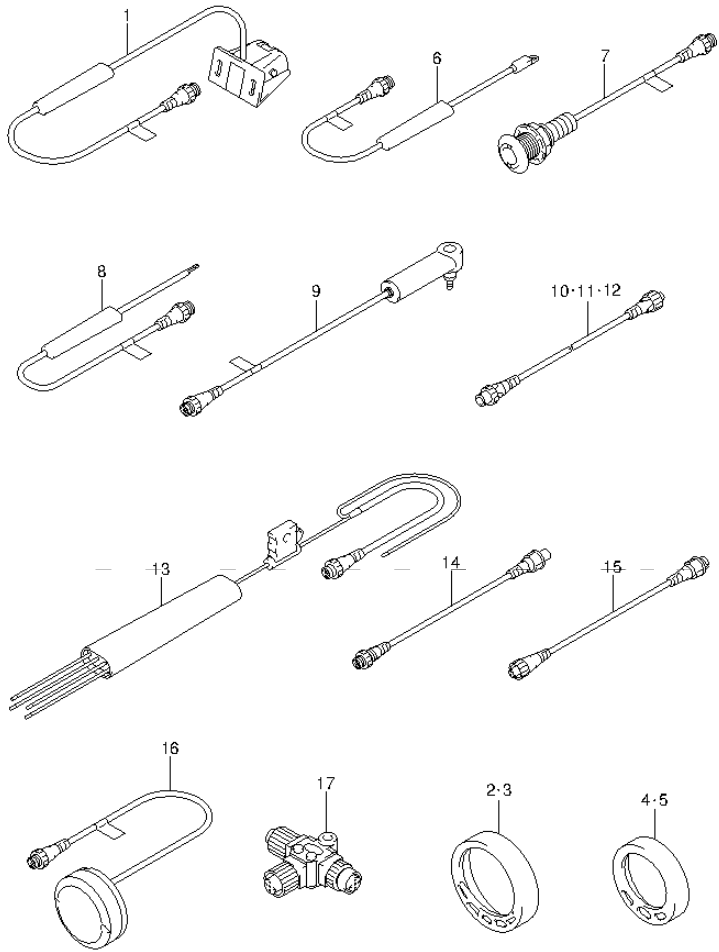


FIG.268 (3-B-15) OPT:LOWRANCE GAUGE (DF20AT P01)

REF NO.	PART NO.	DESCRIPTION	Q'TY	REMARKS
1	34190-88L00	SENSOR ASSY,PAD WHEEL	1	
2	34193-88L00	BEZEL, 4 IN CHR	1	
3	34193-88L20	BEZEL, 4 IN WHITE	1	
4	34193-88L40	BEZEL, 2 IN CHR	1	
5	34193-88L60	BEZEL, 2 IN WHITE	1	
6	34455-88L00	SENSOR ASSY, WATER TEMP	1	
7	34455-88L10	SENSOR ASSY, WATER TEMP	1	
8	34810-88L00	SENSOR ASSY, FLUID LEVEL	1	
9	34960-88L00	SENSOR ASSY, WATER PRESSURE	1	
10	36662-88L10	WIRE, 2 EXTENSION	1	
11	36662-88L20	WIRE, 6 EXTENSION	1	
12	36662-88L30	WIRE, 15 EXTENSION	1	
13	36663-88L10	HARNESS ASSY, NETWORK POWER	1	
14	36666-88L00	WIRE, ADAPTER TO N NETWORK	1	
15	36666-88L10	WIRE, ADAPTER TO L NETWORK	1	
16	39950-88L00	MODULE ASSY, GPS RECEIVER	1	
17	36664-88L00	CONNECTOR, BRANCH	1	

PART NO.	FIG.NO.-REF.NO.	PART NO.	FIG.NO.-REF.NO.	PART NO.	FIG.NO.-REF.NO.
10000			216-23		12-6
			217-23		13-6
			218-23		14-6
			219-23		15-6
			220-23	12891-94J00	5-7
	11110-89L01	1-1			6-7
	11115-93E00-001	1-19			7-7
	11141-89L00	1-2	12741-89L00		8-7
	11162-89L00	1-14	12744-89L00		9-7
	11170-89L00	1-13	12761-93EL0		10-7
11174-89L00	1-16	12840-89L00		11-7	
11261-93J00	1-5			12-7	
11291-91B50	2-6			13-7	
11300-89L01	2-1			14-7	
11382-93E00	1-10			15-7	
12100-89L00-050	3-10			5-8	
12111-89L00-0B0	3-1		12911-93E00	6-8	
12140-89L00	3-2			7-8	
12140-89L00-050	3-11			8-8	
12151-89L00	3-3			9-8	
12160-89L00	3-5			10-8	
12163-89L00	3-6	12842-49201		11-8	
12220-89L00	3-7			12-8	
12229-33C00-0A0	3-8			13-8	
12229-33C00-0D0	3-12			14-8	
12625-89L01	4-11			15-8	
12631-89L10	4-1			5-9	
12635-89L00	4-2			6-9	
12636-89L00	4-3			7-9	
12637-89L00	4-4			8-9	
12638-89L00	4-5			9-9	
12700-89L00	5-1-1			10-9	
	8-1-1	12843-27A00		11-9	
	11-1-1			12-9	
	12-1-1			13-9	
12700-89L20	5-1-2			14-9	
	6-1			15-9	
	7-1		12921-89L00	5-10	
	8-1-2			6-10	
	9-1			7-10	
	10-1			8-10	
	11-1-2			9-10	
	12-1-2			10-10	
	13-1	12861-89L00		11-10	
	14-1			12-10	
	15-1			13-10	
	212-23			14-10	
	213-23			15-10	
	214-23			5-11	
	215-23		12931-78G00	6-11	

PART NO.	FIG.NO.-REF.NO.	PART NO.	FIG.NO.-REF.NO.	PART NO.	FIG.NO.-REF.NO.
	7-11		24-10		60-5
	8-11		25-10		61-5
	9-11		26-10		62-5
	10-11	13119-89L00	16-2		63-5
	11-11		17-2		64-5
	12-11		18-2		65-5
	13-11		19-2		66-5
	14-11		20-2		67-5
	15-11		21-2	13425-33G00	57-3
12932-24400	5-12		22-2		58-3
	6-12		23-2		59-3
	7-12		24-2		60-3
	8-12		25-2		61-3
	9-12		26-2		62-3
	10-12	13300-89L00	57-1		63-3
	11-12		60-1		64-3
	12-12		62-1		65-3
	13-12		63-1		66-3
	14-12		64-1		67-3
	15-12		67-1	13513-89L10	52-1
12933-71C00	5-13	13300-89L10	58-1		53-1
	6-13		59-1		54-1
	7-13		61-1		55-1
	8-13		65-1		56-1
	9-13		66-1		233-2
	10-13	13326-89L00	57-4		234-2
	11-13		58-4		235-2
	12-13		59-4		236-2
	13-13		60-4	13640-32G00	113-1
	14-13		61-4		114-1
	15-13		62-4		115-1
13111-89L00	16-1		63-4		116-1
	17-1		64-4		117-1
	18-1		65-4		118-1
	19-1		66-4		119-1
	20-1		67-4		120-1
	21-1	13420-16HA0	57-2		121-1
	22-1		58-2		122-1
	23-1		59-2		123-1
	24-1		60-2	13650-52G00	113-12
	25-1		61-2		114-11
	26-1		62-2		115-11
13116-94J00	16-8		63-2		116-12
	17-8		64-2		117-11
	18-8		65-2		118-11
	19-8		66-2		119-12
	20-8		67-2		120-12
	21-8	13421-89L00	57-5		121-11
	22-10		58-5		122-11
	23-10		59-5		123-11

PART NO.	FIG.NO.-REF.NO.	PART NO.	FIG.NO.-REF.NO.	PART NO.	FIG.NO.-REF.NO.
13655-89L00	113-13	15100-89L00	28-24		32-19
	114-12	15191-89L00	28-25		33-19
	115-12	15192-89L00	28-26		34-19
	116-13	15192-89L10	28-27		35-19
	117-12	15192-89L20	28-28		37-19
	118-12	15192-89L30	28-29		38-19
	119-13	15192-89L40	28-30		39-19
	120-13	15193-89L00	28-31	17400-99J10	36-19
	121-12	15194-89L00	28-32	17411-94J00	29-1
	122-12	15200-89L00	28-2		30-1
	123-12	15211-91J00-130	57-6		31-1
	13684-89L00	28-1	58-6		32-1
13710-89L00	22-6	59-6		33-1	
	23-6	60-6		34-1	
	24-6	61-6		35-1	
	25-6	62-6		36-1	
13811-89L00	26-6	63-6		37-1	
	16-5	64-6		38-1	
	17-5	65-6		39-1	
	18-5	66-6	17413-94J00	29-2	
	19-5	67-6		30-2	
	20-5	15217-89L00	28-3		31-2
	21-5	15218-89L00	28-4		32-2
	22-5	15410-87L00	28-33		33-2
	23-5	15419-87J00	28-35		34-2
	24-5	15421-89L01	28-36		35-2
	25-5	15422-89L00	28-37		37-2
13820-89L00	26-5	15600-89L00	28-5		38-2
	19-9	15629-89L00	28-8		39-2
	20-9	15681-89L00	27-1	17413-94J10	36-2
	21-9	15685-89L00	28-38	17461-939M0	29-3
13820-89L10	16-9	15690-89L00	28-6		30-3
	17-9	15710-89L00	27-2		31-3
	18-9	15716-65D10	27-3		32-3
13831-89L00	16-11	15734-89L00	27-4		33-3
	17-11	15735-89L00	27-5		34-3
	18-11	15751-89L00	27-6		35-3
	19-11	15770-89L00	28-7		36-3
	20-11	15790-89L00	28-9		37-3
	21-11	16400-89L00	68-1		38-3
	22-11	16431-89L00	68-12		39-3
	23-11	16440-11D00	2-5	17471-99J00	29-4
	24-11	16510-45H10	68-2		30-4
	25-11	16512-99J00	68-3		31-4
	26-11	16515-89L00	165-6		32-4
13832-89L00	22-7	16910-89L00	68-9		33-4
	23-7	16930-89L00	68-10		34-4
	24-7	17400-99J00	29-19		35-4
	25-7		30-19		37-4
	26-7		31-19		38-4

PART NO.	FIG.NO.-REF.NO.	PART NO.	FIG.NO.-REF.NO.	PART NO.	FIG.NO.-REF.NO.
	39-4		33-8		39-11
17471-99J10	36-4		34-8	17670-91J00	40-1
17472-99J00	29-5		35-8	17680-89L00	40-2
	30-5		36-8	17685-89L00	40-7
	31-5		37-8	17712-89L00	40-5
	32-5		38-8	17712-89L10	40-4
	33-5		39-8	17913-93J00	166-1
	34-5	17564-99J00	29-9	17914-93J00	166-2
	35-5		30-9	17917-87L00	168-22
	36-5		31-9		169-22
	37-5		32-9		170-23
	38-5		33-9		171-22
17473-94J00	39-5		34-9		172-22
	29-6		35-9		173-23
	30-6		36-9		174-22
	31-6		37-9		175-22
	32-6		38-9		176-22
	33-6		39-9		177-23
	34-6	17565-99J00	29-18		178-23
	35-6		30-18	18100-94J00	41-1
	36-6		31-18		42-1
	37-6		32-18		43-1
	38-6		33-18		44-1
	39-6		34-18		45-1
17561-99J00	29-7-1		35-18		46-1
	30-7-1		36-18		47-1
	31-7-1		37-18		48-1
	32-7-1		38-18		49-1
	33-7-1		39-18		50-1
	34-7-1	17631-99J20	29-10		51-1
	35-7-1		30-10	18121-94JL0	41-2
	36-7-1		31-10		42-2
	37-7-1		32-10		43-2
	38-7-1		33-10		44-2
	39-7-1		34-10		45-2
17561-99J10	29-7-2		35-10		46-2
	30-7-2		36-10		47-2
	31-7-2		37-10		48-2
	32-7-2		38-10		49-2
	33-7-2		39-10		50-2
	34-7-2	17632-99J30	29-11		51-2
	35-7-2		30-11	18130-93E01	41-3
	36-7-2		31-11		42-3
	37-7-2		32-11		43-3
	38-7-2		33-11		44-3
	39-7-2		34-11		45-3
17563-94J00	29-8		35-11		46-3
	30-8		36-11		47-3
	31-8		37-11		48-3
	32-8		38-11		49-3

PART NO.	FIG.NO.-REF.NO.	PART NO.	FIG.NO.-REF.NO.	PART NO.	FIG.NO.-REF.NO.
18132-89L00	50-3		45-10		55-5
	51-3		46-10		56-5
	41-5		47-10		233-6
	42-5		48-10		234-6
	43-5		49-10		235-6
18142-93E00	44-5		50-10	19150-89L00	236-6
	45-5		51-10		52-6
	46-5	18498-87JC0	28-10		53-6
	47-5	18498-94J20	40-8		54-6
	48-5	18590-58M00	113-14		55-6
	49-5		114-13		56-6
	50-5		115-13		233-7
	51-5		116-14		234-7
	41-4		117-13		235-7
	42-4		118-13		236-7
18210-93002	43-4		119-14	19185-99J00	52-7
	44-4		120-14		53-7
	45-4		121-13		54-7
	46-4		122-13		55-7
	47-4		123-13		56-7
	48-4	19120-99J10	52-2		233-8
	49-4		53-2		234-8
	50-4		54-2		235-8
	51-4		55-2		236-8
	41-6		56-2		
18280-93E00	42-6		233-3		
	43-6		234-3		
	44-6		235-3	20000	
	45-6		236-3		
	46-6	19122-99J00	52-3		
	47-6		53-3	21110-89L10	70-1
	48-6		54-3		71-1
	49-6		55-3		73-1
	50-6		56-3		77-1
	51-6		233-4		78-1
18290-94J01	41-7		234-4		233-9
	42-7		235-4		234-9
	43-7		236-4		235-9
	44-7	19131-89L00	52-4		236-9
	45-7		53-4	21111-89L00	69-1
	46-7		54-4		72-1
	47-7		55-4		74-1
	48-7		56-4		75-1
	49-7		233-5		76-1
	50-7		234-5		79-1
18290-94J01	51-7		235-5	21120-89L00	69-2
	41-10		236-5		70-2
	42-10	19148-89L10	52-5		71-2
	43-10		53-5		72-2
	44-10		54-5		73-2

PART NO.	FIG.NO.-REF.NO.	PART NO.	FIG.NO.-REF.NO.	PART NO.	FIG.NO.-REF.NO.
21122-89L00	74-2		70-5-1	25215-99J00	80-6
	75-2		71-5-1	25311-99J00	80-3
	76-2		72-5-1	29103-93J00	110-6
	77-2		73-5-1		112-6
	78-2		74-5-1	29141-93J00	29-13
	79-2		75-5-1		30-13
	69-3		76-5-1		31-13
	70-3		77-5-1		32-13
	71-3		78-5-1		33-13
	72-3		79-5-1		34-13
21131-94J00	73-3	23111-89L10	69-5-2		35-13
	74-3		70-5-2		36-13
	75-3		71-5-2		37-13
	76-3		72-5-2		38-13
	77-3		73-5-2		39-13
	78-3		74-5-2		80-7
	79-3		75-5-2		135-12
	190-36		76-5-2		136-12
	191-36		77-5-2		138-12
	192-36		78-5-2		139-12
21210-89L00	193-36	23115-89L00	79-5-2		141-12
	194-36		69-6		142-12
	195-36		72-6	29162-93J10	143-12
	69-4		74-6		135-18
	70-4		75-6		136-18
	71-4		76-6		137-22
	72-4		79-6		138-18
	73-4	23115-89L10	70-6		139-18
	74-4		71-6		140-22
	75-4		73-6		141-18
22511-99011	76-4		77-6		142-18
	77-4		78-6		143-18
	78-4		233-10		144-22
	79-4		234-10		145-22
	146-1		235-10	29404-93J10	223-15
	147-1		236-10		224-15
	148-1-1	23211-89L00	69-7		225-15
	148-1-2		70-7		226-15
	149-1		71-7		227-15
	150-1		72-7	29440-93J00	146-21
23111-89L00	151-1-1		73-7		147-21
	151-1-2		74-7		148-11
	152-1		75-7		149-21
	153-1		76-7		150-21
	154-1		77-7		151-11
	155-1-1		78-7		152-21
	155-1-2		79-7		153-21
	156-1-1	23311-95J00	80-1		154-21
	156-1-2	25111-99J00	80-2		155-11
	69-5-1	25211-99JL0	80-5		156-11

PART NO.	FIG.NO.-REF.NO.	PART NO.	FIG.NO.-REF.NO.	PART NO.	FIG.NO.-REF.NO.
30000			163-4		211-1
			164-4	32102-89L00	97-4
		31135-90J00	92-3		212-4
		31135-94900	161-7		213-4
31000-89L02	212-1		162-7		214-4
	213-1		163-7		215-4
	214-1	31136-94J00	164-7		216-4
	215-1		161-3		217-4
	216-1		162-3		218-4
	217-1		163-3		219-4
	218-1	31151-94J00	164-3		220-4
	219-1	31152-90J00	92-4		221-4
	220-1	31153-90J00	92-5		222-4
	221-1	31170-94J00	92-6	32102-89L10	93-4
	222-1	31171-96J00	92-7		94-4
31100-94J21	92-1	31173-94J00	92-8		95-4
	212-3	31174-89LA0	161-2	32120-89L00	96-4
	213-3		162-2		97-1
	214-3		163-2		212-5
	215-3		164-2		213-5
	216-3	31191-96J00	92-9		214-5
	217-3	31192-94J01	157-11		215-5
	218-3		158-11		216-5
	219-3		159-11		217-5
	220-3		160-11		218-5
	221-3	31193-94J00	157-10		219-5
	222-3		158-10		220-5
31101-89L00	212-2		159-10		221-5
	213-2		160-10	32120-89L10	222-5
	214-2	31220-94J00	92-10		93-1
	215-2	31281-94J01	157-12		94-1
	216-2		158-12		95-1
	217-2		159-12		96-1
	218-2		160-12	32800-89L00	98-1
	219-2	31310-90J00	92-11		99-1
	220-2	31311-94J00	161-9		100-1
	221-2		162-9		101-1
	222-2		163-9		102-1
31123-89J10	157-7		164-9		103-1
	158-7	31320-94J00	92-12		104-1
	159-7	31341-94J00	92-13		105-1
	160-7	31343-90J00	92-14		106-1
	161-5	31344-90J00	92-15		107-1
	162-5	31360-93J01	92-16		108-1
	163-5	31912-89L00	92-18		212-6
	164-5	31918-94J00	92-19		213-6
31131-94J00	92-2	32000-89L00	208-1		214-6
31133-94900	161-4		209-1		215-6
	162-4		210-1		216-6
					217-6

PART NO.	FIG.NO.-REF.NO.	PART NO.	FIG.NO.-REF.NO.	PART NO.	FIG.NO.-REF.NO.
	218-6	32916-89L00	124-11		162-6
	219-6		125-7		163-6
	220-6		126-7	33800-89L00	164-6
	221-6		127-11		212-12
	222-6		128-7		213-12
32800-94J11	208-3		129-11		214-12
	209-3		130-11		215-12
	210-3		131-11		216-12
	211-3		132-7		217-12
32801-89L00	208-2		133-7		218-12
	209-2		134-11		219-12
	210-2	33220-89L00	93-9		220-12
	211-2		94-9		221-12
32815-89L00	98-2		95-9		222-12
	99-2		96-9	33810-89L01	124-1
	100-2		97-9		125-1
	101-2	33410-89L00	98-11		126-1
	102-2		99-11		127-1
	103-2		100-11		128-1
	104-2		101-11		129-1
	105-2		102-11		130-1
	106-2		103-11		131-1
	107-2		104-11		132-1
	108-2		105-11		133-1
	212-7		106-11		134-1
	213-7		107-11		212-13
	214-7		108-11		213-13
	215-7	33500-07H00	98-9		214-13
	216-7		99-9		215-13
	217-7		100-9		216-13
	218-7		101-9		217-13
	219-7		102-9		218-13
	220-7		103-9		219-13
	221-7		104-9		220-13
	222-7		105-9		221-13
32815-89L10	208-4		106-9		222-13
	209-4		107-9	33833-91J00	190-21
	210-4		108-9		191-21
	211-4	33634-96J00	124-13		192-21
32890-89L00	98-4		125-8		193-21
	99-4		126-8		194-21
	100-4		127-13		195-21
	101-4		128-8	33920-89L01	101-13-1
	102-4		129-13		102-13
	103-4		130-13		103-13
	104-4		131-13		215-24
	105-4		132-8		216-24
	106-4		133-8		217-24
	107-4		134-13	33920-89L11	101-13-2
	108-4	33799-97E00	161-6	33920-89L21	104-13-1

PART NO.	FIG.NO.-REF.NO.	PART NO.	FIG.NO.-REF.NO.	PART NO.	FIG.NO.-REF.NO.
	106-13		224-34-3		224-17
	107-13		225-34-3		225-17
	108-13		226-34-3		226-17
	218-24		227-34-3		227-17
	220-24	34100-93J51	223-34-4	34200-88L02	223-2
	221-24		224-34-4		224-2
	222-24		225-34-4		225-2
33920-89L31	104-13-2		226-34-4		226-2
33920-89L40	98-13-1		227-34-4		227-2
	99-13	34190-87D00	223-41	34200-93J20	223-42-1
	100-13		224-41		224-42-1
	212-24		225-41		225-42-1
	213-24		226-41		226-42-1
	214-24		227-41		227-42-1
33920-89L50	98-13-2	34190-88L00	264-1	34200-93J31	223-42-2
33920-89L60	105-13-1		265-1		224-42-2
	219-24		266-1		225-42-2
33920-89L70	105-13-2		267-1		226-42-2
33925-89L00	98-14		268-1		227-42-2
	99-14	34190-95500	223-39	34211-87L00	223-18
	100-14		224-39		224-18
	101-14		225-39		225-18
	102-14		226-39		226-18
	103-14		227-39		227-18
	104-14	34191-92E00	223-36	34300-93J00	223-45-1
	105-14		224-36		224-45-1
	106-14		225-36		225-45-1
	107-14		226-36		226-45-1
	108-14		227-36		227-45-1
34011-88L02	223-1	34193-88L00	264-2	34300-93J11	223-45-2
	224-1		265-2		224-45-2
	225-1		266-2		225-45-2
	226-1		267-2		226-45-2
	227-1		268-2		227-45-2
34011-89L00	223-7	34193-88L20	264-3	34310-92E00	223-46
	224-7		265-3		224-46
	225-7		266-3		225-46
	226-7		267-3		226-46
	227-7		268-3		227-46
34100-93J20	223-34-1	34193-88L40	264-4	34360-92E00	223-47
	224-34-1		265-4		224-47
	225-34-1		266-4		225-47
	226-34-1		267-4		226-47
	227-34-1		268-4		227-47
34100-93J31	223-34-2	34193-88L60	264-5	34455-88L00	264-6
	224-34-2		265-5		265-6
	225-34-2		266-5		266-6
	226-34-2		267-5		267-6
	227-34-2		268-5		268-6
34100-93J40	223-34-3	34200-87L12	223-17	34455-88L10	264-7

PART NO.	FIG.NO.-REF.NO.	PART NO.	FIG.NO.-REF.NO.	PART NO.	FIG.NO.-REF.NO.
	265-7		114-3		133-2
	266-7		115-3	36615-96300	93-12
	267-7		116-3		94-12
	268-7		117-3		95-12
	268-7		118-3		96-12
34500-93J00	223-28-1		119-3		124-9
	224-28-1		120-3		127-9
	225-28-1		121-3		129-9
	226-28-1		122-3		130-9
	227-28-1		123-3		131-9
34500-93J11	223-28-2		124-3		134-9
	224-28-2	36367-89L00	113-4		223-20
	225-28-2		114-4		223-30
	226-28-2		115-4		223-33
	227-28-2		116-4		223-38
34600-93J00	223-31-1		117-4		223-43
	224-31-1		118-4		223-49
	225-31-1		119-4		224-20
	226-31-1		120-4		224-30
	227-31-1		121-4		224-33
34600-93J11	223-31-2		122-4		224-38
	224-31-2		123-4		224-43
	225-31-2	36610-89L02	124-5-1		224-49
	226-31-2		127-5-1		225-20
	227-31-2		130-5-1		225-30
34800-88L01	223-8		131-5-1		225-33
	224-8		212-19		225-38
	225-8		213-19		225-43
	226-8		214-19		225-49
	227-8		215-19		226-20
34810-88L00	264-8		216-19		226-30
	265-8		217-19		226-33
	266-8		218-19		226-38
	267-8		219-19		226-43
	268-8		220-19		226-49
34922-88L01	223-3		221-19		227-20
	223-9		222-19		227-30
	224-3	36610-89L12	124-5-2		227-33
	224-9		127-5-2		227-38
	225-3		130-5-2		227-43
	225-9		131-5-2		227-49
	226-3	36610-89L21	125-2		113-10
	226-9		128-2	36616-89L01	114-9
	227-3		132-2		115-9
	227-9		233-11		116-10
34960-88L00	264-9		234-11		117-9
	265-9		235-11		118-9
	266-9		236-11		119-10
	267-9	36610-89L40	129-5		120-10
	268-9		134-5		121-9
36360-99J10	113-3	36610-89L50	126-2		

PART NO.	FIG.NO.-REF.NO.	PART NO.	FIG.NO.-REF.NO.	PART NO.	FIG.NO.-REF.NO.
36617-89L01	122-9		129-8	36660-89L00	223-14
	123-9		130-8		224-14
	124-14		131-8		225-14
	125-9		132-5		226-14
	127-14		133-5		227-14
36617-89L10	128-9		134-8	36661-87L00	223-19
	130-14		233-12		224-19
	131-14		234-12		225-19
	132-9		235-12		226-19
	124-12		236-12		227-19
	127-12	36620-93J02	198-55	36662-88L00	223-10
	129-12		201-55		224-10
130-12	36620-93J10	125-17-1		225-10	
131-12		126-19-1		226-10	
134-12		128-17-1		227-10	
212-14		132-17-1	36662-88L10	264-10	
213-14		133-19-1		265-10	
214-14	36620-93J40	125-17-2		266-10	
215-14		126-19-2		267-10	
216-14		128-17-2		268-10	
217-14		132-17-2	36662-88L20	264-11	
218-14		133-19-2		265-11	
219-14	36620-94J01	197-53		266-11	
220-14		199-53		267-11	
221-14		200-53		268-11	
222-14		245-53	36662-88L30	264-12	
126-10		246-53		265-12	
133-10		247-53		266-12	
126-9		248-53		267-12	
129-14		254-1		268-12	
133-9		255-1	36663-88L00	223-4	
134-14		256-1		223-11	
126-17		257-1		224-4	
129-22		258-1		224-11	
133-17		259-1		225-4	
134-22	36628-92E00	197-3		225-11	
124-15		198-3		226-4	
125-10		199-3		226-11	
127-15		200-3		227-4	
128-10		201-3		227-11	
129-15		245-3	36663-88L10	264-13	
130-15		246-3		265-13	
131-15		247-3		266-13	
132-10		248-3		267-13	
134-15	36634-93910	208-13		268-13	
124-8		209-13	36663-98J00	223-26-1	
125-5		210-13		224-26-1	
126-5		211-13		225-26-1	
127-8	36646-93J01	198-2		226-26-1	
128-5		201-2		227-26-1	

PART NO.	FIG.NO.-REF.NO.	PART NO.	FIG.NO.-REF.NO.	PART NO.	FIG.NO.-REF.NO.
36663-98J10	223-26-2	36666-88L10	264-15		129-23
	224-26-2		265-15		133-18
	225-26-2		266-15	37100-96J00	134-23
	226-26-2		267-15		228-1
	227-26-2		268-15		229-1
36664-87L00	223-21	36682-92E00	223-23		230-1
	224-21		224-23		231-1
	225-21		225-23	37100-96J23	232-1
	226-21		226-23		228-13
	227-21		227-23		229-13
36664-88L00	264-17	36740-94J00	208-10		230-13
	265-17		209-10		231-13
	266-17		210-10		232-13
	267-17		211-10	37110-93J01	228-2
	268-17	36890-93J00	237-16		228-14
36665-87L00	223-22		238-16		229-2
	224-22		239-16		229-14
	225-22		240-16		230-2
	226-22	36894-87D00	137-9		230-14
	227-22		137-10		231-2
36665-88L00	223-5		140-9		231-14
	223-12		140-10		232-2
	224-5		144-9		232-14
	224-12		144-10	37110-93J11	198-4
	225-5		145-9		201-4
	225-12		145-10	37110-94J02	197-4
	226-5	36895-87D01	137-11		199-4
	226-12		140-11		200-4
	227-5		144-11		245-4
	227-12		145-11		246-4
36665-88L10	223-6	36990-87D00	208-17		247-4
	223-13		209-17		248-4
	224-6		210-17	37139-99E00	228-6
	224-13		211-17		229-6
	225-6		245-58		230-6
	225-13		246-58		231-6
	226-6		247-58		232-6
	226-13		248-58	37139-99E20	228-18
	227-6		249-4		229-18
	227-13		250-4		230-18
36666-87L00	223-25		251-4		231-18
	224-25		252-4		232-18
	225-25		253-4	37141-99E00	197-5-1
	226-25		254-3		198-5-1
	227-25		255-3		199-5-1
36666-88L00	264-14		256-3		200-5-1
	265-14		257-3		201-5-1
	266-14		258-3		228-3-1
	267-14		259-3		228-15-1
	268-14	36991-91J00	126-18		229-3-1

PART NO.	FIG.NO.-REF.NO.	PART NO.	FIG.NO.-REF.NO.	PART NO.	FIG.NO.-REF.NO.
	229-15-1		198-5-4		232-3-6
	230-3-1		199-5-4		232-15-6
	230-15-1		200-5-4		245-5-6
	231-3-1		201-5-4		246-5-6
	231-15-1		228-3-4		247-5-6
	232-3-1		228-15-4		248-5-6
	232-15-1		229-3-4	37141-99E60	197-5-7
	245-5-1		229-15-4		198-5-7
	246-5-1		230-3-4		199-5-7
	247-5-1		230-15-4		200-5-7
	248-5-1		231-3-4		201-5-7
37141-99E10	197-5-2		231-15-4		228-3-7
	198-5-2		232-3-4		228-15-7
	199-5-2		232-15-4		229-3-7
	200-5-2		245-5-4		229-15-7
	201-5-2		246-5-4		230-3-7
	228-3-2		247-5-4		230-15-7
	228-15-2		248-5-4		231-3-7
	229-3-2	37141-99E40	197-5-5		231-15-7
	229-15-2		198-5-5		232-3-7
	230-3-2		199-5-5		232-15-7
	230-15-2		200-5-5		245-5-7
	231-3-2		201-5-5		246-5-7
	231-15-2		228-3-5		247-5-7
	232-3-2		228-15-5		248-5-7
	232-15-2		229-3-5	37141-99E70	197-5-8
	245-5-2		229-15-5		198-5-8
	246-5-2		230-3-5		199-5-8
	247-5-2		230-15-5		200-5-8
	248-5-2		231-3-5		201-5-8
37141-99E20	197-5-3		231-15-5		228-3-8
	198-5-3		232-3-5		228-15-8
	199-5-3		232-15-5		229-3-8
	200-5-3		245-5-5		229-15-8
	201-5-3		246-5-5		230-3-8
	228-3-3		247-5-5		230-15-8
	228-15-3		248-5-5		231-3-8
	229-3-3	37141-99E50	197-5-6		231-15-8
	229-15-3		198-5-6		232-3-8
	230-3-3		199-5-6		232-15-8
	230-15-3		200-5-6		245-5-8
	231-3-3		201-5-6		246-5-8
	231-15-3		228-3-6		247-5-8
	232-3-3		228-15-6		248-5-8
	232-15-3		229-3-6	37141-99E80	197-5-9
	245-5-3		229-15-6		198-5-9
	246-5-3		230-3-6		199-5-9
	247-5-3		230-15-6		200-5-9
	248-5-3		231-3-6		201-5-9
37141-99E30	197-5-4		231-15-6		228-3-9

PART NO.	FIG.NO.-REF.NO.	PART NO.	FIG.NO.-REF.NO.	PART NO.	FIG.NO.-REF.NO.
	228-15-9		248-5-11		231-5
	229-3-9	37141-99E80	197-5-12		231-17
	229-15-9		198-5-12		232-5
	230-3-9		199-5-12		232-17
	230-15-9		200-5-12		245-7
	231-3-9		201-5-12	37161-89L00	246-7
	231-15-9		228-3-12		247-7
	232-3-9		228-15-12		248-7
	232-15-9		229-3-12		113-5
	245-5-9		229-15-12		116-5
	246-5-9		230-3-12		118-5
	247-5-9		230-15-12		119-5
	248-5-9		231-3-12		120-5
37141-99E90	197-5-10		231-15-12		123-5
	198-5-10		232-3-12		212-15
	199-5-10		232-15-12		213-15
	200-5-10		245-5-12		214-15
	201-5-10		246-5-12		215-15
	228-3-10		247-5-12		216-15
	228-15-10		248-5-12		217-15
	229-3-10	37143-99E00	197-6		218-15
	229-15-10		198-6		219-15
	230-3-10		199-6		220-15
	230-15-10		200-6		221-15
	231-3-10		201-6		222-15
	231-15-10		228-4	37163-89L00	113-6
	232-3-10		228-16		114-5
	232-15-10		229-4		115-5
	245-5-10		229-16		116-6
	246-5-10		230-4		117-5
	247-5-10		230-16		119-6
	248-5-10		231-4		120-6
37141-99EA0	197-5-11		231-16		121-5
	198-5-11		232-4		122-5
	199-5-11		232-16		233-15
	200-5-11		245-6		234-15
	201-5-11		246-6		235-15
	228-3-11		247-6		236-15
	228-15-11		248-6	37210-93J00	228-11
	229-3-11	37149-93J00	197-7		229-11
	229-15-11		198-7		230-11
	230-3-11		199-7		231-11
	230-15-11		200-7		232-11
	231-3-11		201-7	37212-93J00	228-12
	231-15-11		228-5		229-12
	232-3-11		228-17		230-12
	232-15-11		229-5		231-12
	245-5-11		229-17		232-12
	246-5-11		230-5	37721-89L00	113-7
	247-5-11		230-17		114-6

PART NO.	FIG.NO.-REF.NO.	PART NO.	FIG.NO.-REF.NO.	PART NO.	FIG.NO.-REF.NO.
	115-6		230-9		230-10
	116-7		231-9		231-10
	117-6		232-9		232-10
	118-6	37820-93E10	113-2	37826-92E00	197-11
	119-7		114-2		198-11
	120-7		115-2		199-11
	121-6		116-2		200-11
	122-6		117-2		201-11
	123-6		118-2		228-21
37721-93J91	197-8		119-2		229-21
	198-8		120-2		230-21
	199-8		121-2		231-21
	200-8		122-2		232-21
	201-8		123-2		245-11
	245-8	37820-93J03	197-9		246-11
	246-8		198-9		247-11
	247-8		199-9		248-11
37721-95500	248-8		200-9	37826-97J00	190-34
	241-11		201-9		191-34
	242-11		228-19		192-34
	243-11		229-19		193-34
	244-11		230-19		194-34
37725-89L00	113-11		231-19		195-34
	114-10		232-19	37830-89L00	190-32
	115-10		245-9		191-32
	116-11		246-9		192-32
	117-10		247-9		193-32
	118-10		248-9		194-32
	119-11	37823-92E01	197-10		195-32
	120-11		198-10	37835-95D00	190-35
	121-10		199-10		191-35
	122-10		200-10		192-35
	123-10		201-10		193-35
37726-89L00	113-8		228-20		194-35
	114-7		229-20		195-35
	115-7		230-20	37850-90J05	198-12
	116-8		231-20		201-12
	117-7		232-20	37850-93J10	237-4
	118-7		245-10		238-4
	119-8		246-10		239-4
	120-8		247-10		240-4
	121-7		248-10	37850-94JA2	110-3
	122-7	37823-97J00	190-33		112-3
	123-7		191-33	37850-99E04	109-3
37801-98300	208-11		192-33		111-3
	209-11		193-33	37851-89L00	110-10
	210-11		194-33		112-10
	211-11		195-33	37852-94JA0	110-4
37803-93J03	228-9	37825-99E00	228-10		112-4
	229-9		229-10	37859-90J00	197-52

PART NO.	FIG.NO.-REF.NO.	PART NO.	FIG.NO.-REF.NO.	PART NO.	FIG.NO.-REF.NO.
	198-54		104-15		211-14
	199-52		105-15	39950-87L00	223-24
	200-52		106-15		224-24
	201-54		107-15		225-24
	245-52		108-15		226-24
	246-52		212-20		227-24
	247-52		213-20	39950-88L00	264-16
	248-52		214-20		265-16
38100-89LA0	157-14		215-20		266-16
	158-14		216-20		267-16
	159-14		217-20		268-16
	160-14		218-20		
	161-1		219-20		
	162-1		220-20		
	163-1		221-20		
	164-1		222-20		
38410-93J20	109-1	38915-90J00	92-21		
	110-1		98-16		
	111-1		99-16		
	112-1		100-16		
38415-89L00	109-2		101-16	41111-89L00-0EP	135-1
	110-2		102-16		136-1
	111-2		103-16		138-1
	112-2		104-16		139-1
38500-93J00	197-13		105-16		141-1
	199-13		106-16		142-1
	200-13		107-16		143-1
	245-13		108-16	41111-89LA0-0EP	137-1
	246-13		212-21		140-1
	247-13		213-21		144-1
	248-13		214-21		145-1
38500-93J90	198-13		215-21	41121-89L00-0EP	135-2
	201-13		216-21		136-2
	228-7		217-21		138-2
	228-23		218-21		139-2
	229-7		219-21		141-2
	229-23		220-21		142-2
	230-7		221-21		143-2
	230-23		222-21	41121-89LA0-0EP	137-2
	231-7		208-9		140-2
	231-23	39600-89L00	209-9		144-2
	232-7		210-9		145-2
	232-23		211-9		136-7
38860-76F01	92-20	39601-95D00	208-12	41130-89L00	139-7
	98-15		209-12		143-7
	99-15		210-12		233-16
	100-15		211-12		234-16
	101-15	39602-93900	208-14		235-16
	102-15		209-14		236-16
	103-15		210-14	41130-90L00	135-7

PART NO.	FIG.NO.-REF.NO.	PART NO.	FIG.NO.-REF.NO.	PART NO.	FIG.NO.-REF.NO.
41130-94JA1	138-7	41213-98100	143-4	43111-89LB0-0EP	156-2-2
	141-7		144-5		148-2-1
	142-7		145-5		151-2-1
	137-7		135-5		155-2-1
	140-7		136-5		156-2-1
41135-93J11	144-7	41221-94JA0	137-6	43112-99E00	166-4
	145-7		138-5		146-7
	137-8		139-5		147-7
	140-8		140-6		148-7
	144-8		141-5		149-7
41161-94400	145-8	41222-94JA0	142-5	43411-89L00	150-7
	202-1		143-5		151-7
	203-1		144-6		152-7
	204-1		145-6		153-7
	205-1		137-14		154-7
41210-89LA0	206-1	41225-89L00	140-14	43411-89LA0	155-7
	260-1		144-14		156-7
	261-1		145-14		146-27
	262-1		137-15		149-27
	263-1		140-15		152-27
41210-99JL1	137-28	41226-94JA0	144-15	43411-89L00	153-27
	140-28		145-15		151-14
	144-28		146-9		156-14
	145-28		147-9		146-19
	135-25		149-9		147-19
41211-95J00	136-25	43111-89L00-0EP	150-9	43412-93900	148-9
	138-25		152-9		149-19
	139-25		153-9		150-19
	141-25		154-9		151-9
	142-25		137-16		152-19
41211-99JL0	143-25	43111-89L00-0EP	140-16	43412-93900	153-19
	137-4		144-16		154-19
	140-4		145-16		155-9
	144-4		146-2-1		156-9
	145-4		147-2-1		146-20
41212-91J00	135-3	43111-89L10-0EP	149-2-1	43415-89L00	147-20
	136-3		150-2-1		148-10
	138-3		152-2-1		149-20
	139-3		153-2-1		150-20
	141-3		154-2-1		151-10
41212-91J00	142-3	43111-89L10-0EP	146-2-2	43415-89L00	152-20
	143-3		147-2-2		153-20
	135-4		149-2-2		154-20
	136-4		150-2-2		155-10
	137-5		152-2-2		156-10
41212-91J00	138-4	43111-89LA0-0EP	153-2-2	43415-89L00	146-28
	139-4		154-2-2		149-28
	140-5		148-2-2		151-15
	141-4		151-2-2		152-28
	142-4		155-2-2		153-28

PART NO.	FIG.NO.-REF.NO.	PART NO.	FIG.NO.-REF.NO.	PART NO.	FIG.NO.-REF.NO.
43420-89L00	156-15	45241-89L00	148-4-1	43425-89L00	153-11
	146-29		149-4-1		154-11
	149-29		150-4-1		146-12
	151-16		151-4-1		147-12
	152-29		152-4-1		149-12
43425-89L00	153-29	43750-99J50-0EP	153-4-1	43512-89L00	150-12
	156-16		154-4-1		152-12
	146-30		155-4-1		153-12
	149-30		156-4-1		154-12
	151-17		146-4-2		146-14
43512-89L00	152-30	43755-99J00	147-4-2	43515-88L00	147-14
	153-30		148-4-2		149-14
	156-17		149-4-2		150-14
	146-31		150-4-2		152-14
	149-31		151-4-2		153-14
43515-88L00	151-18	43759-89L00	152-4-2	43516-89J00	154-14
	152-31		153-4-2		146-15
	153-31		154-4-2		147-15
	156-18		155-4-2		149-15
	146-32		156-4-2		150-15
43516-89J00	149-32	45261-89L00	147-27	43759-89L00	152-15
	151-19		148-14		153-15
	152-32		150-27		154-15
	153-32		154-27		135-13
	156-19		155-14		136-13
43711-94JA0	146-33	45212-89L00	233-17	43711-99J00	138-13
	149-33		234-17		139-13
	151-20		235-17		141-13
	152-33		236-17		142-13
	153-33		147-31		143-13
43711-94JA0	156-20	45231-89L00	148-18	43711-99J00	135-23
	146-34		150-31		136-23
	149-34		154-31		138-23
	151-21		155-18		139-23
	152-34		233-18		141-23
43711-99J00	153-34	45421-94JA0	234-18	43711-99J00	142-23
	156-21		235-18		143-23
	148-3		236-18		135-19
	151-3		146-10		136-19
	155-3		147-10		138-19
43750-99J40-0EP	156-3	45421-94JA0	149-10	43750-99J40-0EP	139-19
	146-3		150-10		141-19
	147-3		152-10		142-19
	149-3		153-10		143-19
	150-3		154-10		137-17
43750-99J40-0EP	152-3	45425-94J00	146-11	43750-99J40-0EP	140-17
	153-3		147-11		144-17
	154-3		149-11		145-17
	146-4-1		150-11		135-20
	147-4-1		152-11		136-20

PART NO.	FIG.NO.-REF.NO.	PART NO.	FIG.NO.-REF.NO.	PART NO.	FIG.NO.-REF.NO.
	138-20		160-13		177-17
	139-20	48583-95E00	157-6		178-17
	141-20		158-6	54145-89L00	168-18
	142-20		159-6		169-18
	143-20		160-6		170-18
45710-89L00	146-24	48664-87D00	157-9		171-18
	147-24		157-15		172-18
	149-24		158-9		173-18
	150-24		158-15		174-18
	152-24		159-9		175-18
	153-24		159-15		176-18
	154-24		160-9		177-18
45722-94J11	146-25		160-15		178-18
	147-25	48681-87J11	157-3	54151-99J00	166-10
	149-25		158-3	54167-99J01	166-11
	150-25		159-3	54211-99J01-OEP	166-12
	152-25		160-3	54213-93901	166-14
	153-25	48864-89LA0	157-2	54221-99J01-OEP	166-13
	154-25		158-2	55100-99J40-OEP	167-1
48000-89LA0	157-1		159-2	55321-87J00	1-7
	158-1		160-2		137-20-1
	159-1				140-20-1
	160-1				144-20-1
48121-94JA0	157-16				145-20-1
	158-16				148-20-1
	159-16				151-25-1
	160-16				155-20-1
48321-97E01	157-17	50000			156-25-1
	158-17				157-19-1
	159-17				158-19-1
	160-17	51110-89L01	165-1		159-19-1
48325-97E00	157-18	51211-89L00	165-2		160-19-1
	158-18	52110-89L00-OEP	166-3-1		167-6
	159-18	52110-89L10-OEP	166-3-2	55321-87J10	137-20-2
	160-18	52113-89L00	166-5		140-20-2
48510-94600	157-5	54112-99J01	165-7		144-20-2
	158-5	54113-99JL0	165-8		145-20-2
	159-5	54125-99J00	165-10		148-20-2
	160-5	54127-89L00	165-9		151-25-2
48553-88L00	157-4	54130-89L00	165-11		155-20-2
	158-4	54137-89L00	165-12		156-25-2
	159-4	54144-89L10	168-17		157-19-2
	160-4		169-17		158-19-2
48572-94J00	157-8		170-17		159-19-2
	158-8		171-17		160-19-2
	159-8		172-17		167-23
	160-8		173-17	55331-99J10	167-21
48582-97E00	157-13		174-17	55332-99J10	167-22
	158-13		175-17	56120-99J40-OEP	167-10
	159-13		176-17	56130-99J30	81-21

PART NO.	FIG.NO.-REF.NO.	PART NO.	FIG.NO.-REF.NO.	PART NO.	FIG.NO.-REF.NO.
	82-21		88-8		83-19
	83-21		89-8		84-19
	84-21		90-8		85-19
	85-21		91-8		86-19
	86-21	57510-99J10	81-9		87-19
	87-21		82-9		88-19
	88-21		83-9		89-19
	89-21		84-9		90-19
	90-21		85-9		91-19
	91-21		86-9	57632-94J00	167-17
56132-99J10	81-23		87-9	57632-98501	81-20
	82-23		88-9		82-20
	83-23		89-9		83-20
	84-23		90-9		84-20
	85-23		91-9		85-20
	86-23	57521-99J10	81-10		86-20
	87-23		82-10		87-20
	88-23		83-10		88-20
	89-23		84-10		89-20
	90-23		85-10		90-20
	91-23		86-10		91-20
57100-90L30	81-1-2		87-10	58100-89L00-019	167-15-1
	82-1-2		88-10	58100-89L20-019	167-15-2
	83-1-2		89-10	58100-89L30-019	167-15-3
	84-1-2		90-10	58100-89L40-019	167-15-4
	85-1-2		91-10	58100-89L50-019	167-15-5
	86-1-2	57610-99JL0	81-14	58100-90L40-019	167-15-6
	87-1-2		82-14	58100-90L50-019	167-15-7
	88-1-2		83-14	58100-90L60-019	167-15-8
	89-1-2		84-14	58120-89L00	167-16
	90-1-2		85-14	59178-97J00	167-8
57100-90L40	91-1-2		86-14	59262-94J00	68-13
	81-1-1		87-14	59441-94J00	81-17
	82-1-1		88-14		82-17
	83-1-1		89-14		83-17
	84-1-1		90-14		84-17
	85-1-1		91-14		85-17
	86-1-1	57621-99J11	81-15		86-17
	87-1-1		82-15		87-17
	88-1-1		83-15		88-17
	89-1-1		84-15		89-17
	90-1-1		85-15		90-17
	91-1-1		86-15		91-17
57311-99J10	81-8		87-15	59441-99J00	81-18
	82-8		88-15		82-18
	83-8		89-15		83-18
	84-8		90-15		84-18
	85-8		91-15		85-18
	86-8	57631-93901	81-19		86-18
	87-8		82-19		87-18

PART NO.	FIG.NO.-REF.NO.	PART NO.	FIG.NO.-REF.NO.	PART NO.	FIG.NO.-REF.NO.
59800-89L00	88-18		172-5		188-2
	89-18		173-5		189-2
	90-18		174-5	61435-89L00	185-8
	91-18		175-5		186-8
	179-12		176-5		187-8
	180-12		177-5		188-8
	181-12		178-5		189-8
	182-12	61151-91J11	28-43	61435-94J30	182-8
	183-12		168-14		183-8
	184-12		169-14		184-8
185-12		170-14	61435-99J10	179-8	
186-12		171-14		180-8	
187-12		172-14		181-8	
188-12		173-14	61443-99J00	179-5	
189-12		174-14		180-5	
60000			175-14		181-5
			176-14		182-5
			177-14		183-5
			178-14		184-5
			179-1		185-5
	61112-89L00	168-4	180-1		186-5
		169-4	181-1		187-5
		170-4	182-1		188-5
		171-4	183-1		189-5
		172-4	184-1	61446-89L00	179-9
	173-4	185-1		180-9	
	174-4	186-1		181-9	
	175-4	187-1		182-9	
	176-4	188-1		183-9	
	177-4	189-1		184-9	
	178-4	168-9	61412-89L00	185-9	
61124-89L20	169-13	169-9		186-9	
	172-13	170-9		187-9	
	176-13	171-9		188-9	
	233-21	172-9		189-9	
	234-21	173-9	61447-94J00	181-14	
	235-21	174-9		184-14	
	236-21	175-9		188-14	
61124-89L30	170-13	176-9		189-14	
	177-13	177-9	61453-99J00	179-6	
61124-89L40	168-13	178-9		180-6	
	171-13	179-2	61433-89L00	181-6	
	173-13	180-2		182-6	
	174-13	181-2		183-6	
	175-13	182-2		184-6	
	178-13	183-2		185-6	
61134-89L00	168-5	184-2		186-6	
	169-5	185-2		187-6	
	170-5	186-2		188-6	
	171-5	187-2		189-6	

PART NO.	FIG.NO.-REF.NO.	PART NO.	FIG.NO.-REF.NO.	PART NO.	FIG.NO.-REF.NO.
61458-89L00	179-10		47-16		169-2
	180-10		48-16		171-2
	181-10		49-16		172-2
	182-10		50-16		173-2
	183-10		51-16		174-2
	184-10	61610-90L00	168-10		175-2
	185-10		169-10		176-2
	186-10		170-10	61820-89L10-RB4	178-2
	187-10		171-10		170-2
	188-10		172-10		177-2
	189-10		173-10	61827-89L00	168-15
61471-89L00	179-11		174-10		169-15
	180-11		175-10		170-15
	181-11		176-10		171-15
	182-11		177-10		172-15
	183-11		178-10		173-15
	184-11	61616-93E10	168-11		174-15
	185-11		169-11		175-15
	186-11		170-11		176-15
	187-11		171-11		177-15
	188-11		172-11		178-15
	189-11		173-11	61831-89L00-0EP	168-6
61472-94J00	48-13		174-11		169-6
61472-94J10	41-13		175-11		170-6
	42-13		176-11		171-6
	43-13		177-11		172-6
	44-13		178-11		173-6
	45-13	61622-90L00	179-4		174-6
	46-13		180-4		175-6
	47-13		181-4		176-6
	49-13		182-4		177-6
	50-13		183-4	63111-89L00-0EP	178-6
	51-13		184-4		190-1
61493-94J00	41-15		185-4		191-1
	42-15		186-4		192-1
	43-15		187-4		193-1
	44-15		188-4		194-1
	45-15		189-4		195-1
	46-15	61810-89L00-RB4	168-1	63114-99J01	190-22
	47-15		169-1		191-22
	48-15		171-1		192-22
	49-15		172-1		193-22
	50-15		174-1		194-22
	51-15		175-1		195-22
61494-94J00	41-16		176-1	63115-99J00	190-3
	42-16	61810-89L10-RB4	170-1		191-3
	43-16		173-1		192-3
	44-16		177-1		193-3
	45-16		178-1		194-3
	46-16	61820-89L00-RB4	168-2		195-3

PART NO.	FIG.NO.-REF.NO.	PART NO.	FIG.NO.-REF.NO.	PART NO.	FIG.NO.-REF.NO.
63115-99J10	190-2	63225-93200	192-7	65561-95D00	196-3
	191-2		193-7	207-3	
	192-2		194-7	65700-87J15	207-8
	193-2		195-7	65700-89L10	196-8
	194-2		190-9	65720-986L0	196-13
63116-99J00	195-2	63225-94J00	191-9	65740-95D01	196-7
	190-4		192-9	207-4	
	191-4		193-9	65750-87J11	196-9
	192-4		194-9	207-9	
	193-4		195-9	65750-95500	196-10
63121-99J00-0EP	194-4	63225-94J00	190-8	207-10	
	195-4		191-8	65770-89L00	196-11
	190-5		192-8	65770-90J11	207-11
	191-5		193-8	65781-98500	207-12
	192-5		194-8	65781-99JM0	196-12
63122-99J00	193-5	63240-94J10	195-8	65793-89L00	190-26
	194-5		190-10	191-26	
	195-5		191-10	192-26	
	190-23		192-10	193-26	
	191-23		193-10	194-26	
63131-99J10-0EP	192-23	63241-986B0	194-10	195-26	
	193-23		195-10	65831-95D00	196-4
	194-23		190-11	207-5	
	195-23		191-11	65890-95D00	207-6
	190-24		192-11	65890-99100	196-5
63133-89L00	191-24	63244-94J00	193-11	65892-95D00	196-6
	192-24		194-11	207-7	
	193-24		195-11	67130-89L01	233-1
	194-24		190-12	234-1	
	195-24		191-12	235-1	
63210-89L10	190-25	63610-89L00	192-12	236-1	
	191-25		193-12	245-55	
	192-25		194-12	246-55	
	193-25		195-12	247-55	
	194-25		190-14	248-55	
63215-93110	195-25	63610-89L10	191-14	249-1	
	190-6		192-14	250-1	
	191-6		193-14	251-1	
	192-6		194-14	252-1	
	193-6		195-14	253-1	
63220-89L00	194-6	65000-89L10	190-15	67200-93J06	198-1
	195-6		191-15	201-1	
	190-31		192-15	67200-93J13	237-1
	191-31		193-15	238-1	
	192-31		194-15	239-1	
63220-89L00	193-31	65000-95D01	195-15	240-1	
	194-31		196-1	241-1	
	195-31		207-1	242-1	
	190-7		207-2	243-1	
	191-7		65520-99100	196-2	244-1

PART NO.	FIG.NO.-REF.NO.	PART NO.	FIG.NO.-REF.NO.	PART NO.	FIG.NO.-REF.NO.
67200-94J15	197-1	67223-99E10	197-19	201-21	
	199-1		198-19	241-42	
	200-1		199-19	242-42	
	245-1		200-19	243-42	
	246-1		201-19	244-42	
67211-93J00	247-1	67224-92E00	245-19	245-21	
	248-1		246-19	246-21	
	237-27		247-19	247-21	
	238-27		248-19	248-21	
	239-27		241-9	67232-95620	241-28
67212-95600	240-27	67226-92E00	242-9	242-28	
	197-14		243-9	243-28	
	198-14		244-9	244-28	
	199-14		241-15	67233-92E00	241-26
	200-14		242-15	242-26	
67213-92E00	201-14	67226-92E10	243-15	243-26	
	245-14		244-15	244-26	
	246-14		241-16	67234-92E00	241-22
	247-14		242-16	242-22	
	248-14		243-16	243-22	
67227-92E00	197-15	67228-92E00	244-16	244-22	
	198-15		241-24	67235-92E00	241-27
	199-15		242-24	242-27	
	200-15		243-24	243-27	
	201-15		244-24	244-27	
67220-95630	245-15	67229-95600	241-18	67236-92E00	241-32
	246-15		242-18	242-32	
	247-15		243-18	243-32	
	248-15		244-18	244-32	
	197-18		197-20	67237-92E01	241-33
67221-92E00	198-18	67230-92E00	198-20	242-33	
	199-18		199-20	243-33	
	200-18		200-20	244-33	
	201-18		201-20	197-22	
	245-18		245-20	198-22	
67222-92E00	246-18	67231-92E00	246-20	199-22	
	247-18		247-20	200-22	
	248-18		248-20	201-22	
	241-8		241-20	245-22	
	242-8		242-20	246-22	
67223-92E00	243-8	67232-95600	243-20	247-22	
	244-8		244-20	248-22	
	241-2		241-41	67238-92E00	241-34
	242-2		242-41	242-34	
	243-2		243-41	243-34	
67223-92E00	244-2	67232-95600	244-41	244-34	
	241-3		197-21	67239-92E00	241-35
	242-3		198-21	242-35	
	243-3		199-21	243-35	
	244-3		200-21	244-35	

PART NO.	FIG.NO.-REF.NO.	PART NO.	FIG.NO.-REF.NO.	PART NO.	FIG.NO.-REF.NO.
67239-92E10	241-45		200-26		242-40
	242-45		201-26		243-40
	243-45		245-26		244-40
	244-45		246-26		245-29
67240-92E00	241-17		247-26		246-29
	242-17		248-26		247-29
67241-92E10	243-17	67246-92E00	241-36	67255-99E00	248-29
	244-17		242-36		197-30
	241-43		243-36		198-30
	242-43		244-36		199-30
67241-99E10	243-43	67251-93J00	237-12		200-30
	244-43		238-12		201-30
	197-23		239-12		245-30
	198-23		240-12		246-30
	199-23	67251-99E10	197-27		247-30
	200-23		198-27		248-30
	201-23		199-27		197-31
	245-23		200-27		198-31
67243-92E00	246-23		201-27	67256-95600	199-31
	247-23		245-27		200-31
	248-23		246-27		201-31
	241-44		247-27		245-31
67243-95600	242-44	67252-92E10	248-27		246-31
	243-44		241-39		247-31
	244-44		242-39		248-31
	197-24		243-39		237-11
	198-24	67252-95600	244-39		238-11
	199-24		197-28		239-11
	200-24		198-28		240-11
	201-24		199-28		197-32
67244-95600	245-24		200-28	67257-99E00	198-32
	246-24		201-28		199-32
	247-24		245-28		200-32
	248-24		246-28		201-32
	197-25	67253-92E00	247-28		245-32
	198-25		248-28		246-32
	199-25		237-15		247-32
	200-25		238-15		248-32
67245-92E00	201-25	67253-92E10	239-15	67258-99E00	197-33
	245-25		240-15		198-33
	246-25		241-38		199-33
	247-25		242-38		200-33
	248-25	67253-95600	243-38		201-33
	241-23		244-38		245-33
	242-23		197-29		246-33
	243-23		198-29		247-33
67245-95600	244-23		199-29	67259-87D00	238-33
	197-26		200-29		197-34
	198-26		201-29		198-34
	199-26		241-40		199-34

PART NO.	FIG.NO.-REF.NO.	PART NO.	FIG.NO.-REF.NO.	PART NO.	FIG.NO.-REF.NO.
	200-34	67273-95600	238-23		241-4
	201-34		239-23		242-4
	245-34		240-23		243-4
	246-34		197-39		244-4
67261-93J00	247-34		198-39	67288-92E10	245-41
	248-34		199-39		246-41
	237-2		200-39		247-41
	238-2		201-39		248-41
	239-2	67261-99E00	237-22		241-6
	240-2		238-22		242-6
	197-35		239-22		243-6
	198-35		240-22		244-6
	199-35		245-39	67288-92E20	237-7
	200-35		246-39		238-7
	201-35		247-39		239-7
	245-35		248-39		240-7
67263-93J00	246-35	67274-92E00	237-24	67288-92E30	237-14
	247-35		238-24		238-14
	248-35		239-24		239-14
	237-3		240-24		240-14
	238-3	67275-95600	197-40	67288-92E40	237-10
	239-3		198-40		238-10
	240-3		199-40		239-10
	197-37		200-40		240-10
67264-95600	198-37		201-40	67291-92E00	241-7
	199-37		237-21		242-7
	200-37		238-21		243-7
	201-37		239-21		244-7
	245-37	67267-93J00	240-21	67291-92E10	241-37
	246-37		245-40		242-37
	247-37		246-40		243-37
	248-37		247-40		244-37
67269-92E00	197-38	67281-93J00	248-40	67292-94300	197-42
	198-38		237-17		198-42
	199-38		238-17		199-42
	200-38		239-17		200-42
	201-38	67286-92E00	240-17		201-42
	245-38		241-19		241-5
	246-38		242-19		242-5
	247-38		243-19		243-5
67269-92E00	248-38		244-19	67287-92E00	244-5
	241-29		237-20		245-42
	242-29		238-20		246-42
	243-29		239-20		247-42
	244-29	67288-92E00	240-20	67294-92E00	248-42
	237-26		197-41		241-10
	238-26		198-41		242-10
	239-26		199-41		243-10
67271-92E00	240-26		200-41		244-10
	237-23		201-41		197-43

PART NO.	FIG.NO.-REF.NO.	PART NO.	FIG.NO.-REF.NO.	PART NO.	FIG.NO.-REF.NO.
	198-43		201-17		200-46
	199-43		241-12		201-46
	200-43		242-12		245-46
	201-43		243-12		246-46
	245-43		244-12		247-46
	245-56		245-17		248-46
	246-43		246-17	67296-95610	197-47
	246-56		247-17		198-47
	247-43		248-17		199-47
	247-56	67296-92E20	241-14		200-47
	248-43		242-14		201-47
	248-56		243-14		237-25
	249-2		244-14		238-25
	250-2	67296-92E30	237-18		239-25
	251-2		238-18		240-25
	252-2		239-18		245-47
67295-92E00	253-2		240-18		246-47
	237-8	67296-92E60	237-13		247-47
	238-8		238-13		248-47
	239-8		239-13	67296-95620	245-57
	240-8		240-13		246-57
67295-92E10	237-5	67296-92E70	237-9		247-57
	238-5		237-28		248-57
	239-5		238-9		249-3
	240-5		238-28		250-3
67296-88D10	237-6		239-9		251-3
	238-6		239-28		252-3
	239-6		240-9		253-3
	240-6		240-28	67297-95600	197-48
	241-13	67296-94300	197-45		198-48
	241-30		198-45		199-48
	242-13		199-45		200-48
	242-30		200-45		201-48
	243-13		201-45		245-48
	243-30		245-45		246-48
	244-13		246-45		247-48
67296-90J00	244-30		247-45		248-48
	197-44		248-45	67320-93J00	245-59-1
	198-44	67296-94310	197-36		246-59-1
	199-44		198-36		247-59-1
	200-44		199-36		248-59-1
	201-44		200-36		249-5-1
	245-44		201-36		250-5-1
	246-44		245-36		251-5-1
	247-44		246-36		252-5-1
	248-44		247-36		253-5-1
67296-92E11	197-17		248-36	67320-93J10	245-59-2
	198-17	67296-95600	197-46		246-59-2
	199-17		198-46		247-59-2
	200-17		199-46		248-59-2

PART NO.	FIG.NO.-REF.NO.	PART NO.	FIG.NO.-REF.NO.	PART NO.	FIG.NO.-REF.NO.
	249-5-2	67320-93J70	245-59-8		260-2
	250-5-2		246-59-8		261-2
	251-5-2		247-59-8		262-2
	252-5-2		248-59-8		263-2
	253-5-2		249-5-8	67721-89J00	202-3
67320-93J20	245-59-3		250-5-8		203-3
	246-59-3		251-5-8		204-3
	247-59-3		252-5-8		205-3
	248-59-3		253-5-8		206-3
	249-5-3	67320-93J80	245-59-9		260-3
	250-5-3		246-59-9		261-3
	251-5-3		247-59-9		262-3
	252-5-3		248-59-9		263-3
	253-5-3		249-5-9	67725-99J00	202-4
67320-93J30	245-59-4		250-5-9		203-4
	246-59-4		251-5-9		204-4
	247-59-4		252-5-9		205-4
	248-59-4		253-5-9		206-4
	249-5-4	67340-89L00	70-21		260-4
	250-5-4		71-21		261-4
	251-5-4		73-21		262-4
	252-5-4		77-21		263-4
	253-5-4		78-21		202-5
67320-93J40	245-59-5		233-22		203-5
	246-59-5		234-22		204-5
	247-59-5		235-22		205-5
	248-59-5		236-22		206-5
	249-5-5	67467-89J01	52-11		260-5
	250-5-5		53-11		261-5
	251-5-5		54-11		262-5
	252-5-5		55-11		263-5
67320-93J50	253-5-5		56-11	67728-99E00	202-6
	245-59-6		70-18		203-6
	246-59-6		71-18		204-6
	247-59-6		73-18		205-6
	248-59-6		77-18		206-6
	249-5-6		78-18		260-6
	250-5-6		233-23		261-6
	251-5-6		234-23		262-6
	252-5-6		235-23		263-6
	253-5-6		236-23	68110-89L00	179-14
67320-93J60	245-59-7	67500-93J00	237-29		180-14
	246-59-7		238-29		181-15
	247-59-7		239-29		182-14
	248-59-7		240-29		183-14
	249-5-7	67701-99J01	202-2		184-15
	250-5-7		203-2		185-14
	251-5-7		204-2		186-14
	252-5-7		205-2		187-14
	253-5-7		206-2		188-15

PART NO.	FIG.NO.-REF.NO.	PART NO.	FIG.NO.-REF.NO.	PART NO.	FIG.NO.-REF.NO.			
68111-89L00	189-15	99000-81158-50M	41-8		221-17			
	179-7		42-8		222-17			
	180-7		43-8		233-33			
	181-7		44-8		234-33			
	182-7		45-8		235-33			
	183-7		46-8		236-33			
	184-7		47-8		01547-0625A	97-2		
	185-7		48-8		212-10			
	186-7		49-8		213-10			
	187-7		50-8		214-10			
68165-16B00-13L	188-7	99011-89L10-055	51-8		215-10			
	189-7		179-13		216-10			
	197-12		180-13		217-10			
	198-49		181-13		218-10			
	199-12		182-13		219-10			
	200-12		183-13		220-10			
	201-49		184-13		221-10			
	245-12		185-13		222-10			
	246-12		186-13		01547-0630A	93-2		
	247-12		187-13		94-2			
69711-93E10	248-12		188-13		95-2			
	41-12		189-13		96-2			
	42-12		01550-05127		93-3			
	43-12				94-3			
	44-12				95-3			
	45-12				96-3			
	46-12				97-3			
	47-12				01550-06127	52-9		
	48-12					53-9		
	49-12					54-9		
50-12	55-9							
51-12	56-9							
142-24	73-22	57-8						
135-24	77-22	60-8						
136-24	78-22	62-8						
137-27	124-4	63-8						
69911-91J00 69911-91J40	138-24	01547-06167	127-4			55-10		
	139-24		129-4		56-10			
	140-27		130-4		57-10			
	141-24		131-4		58-10			
	143-24		134-4		69-17			
	144-27		212-17		70-9			
	145-27		213-17		70-15			
	90000					213-17		71-9
						214-17		71-15
						215-17		72-17
			216-17		73-9			
			217-17		73-15			
			218-17		74-17			
			219-17		75-17			
			220-17		76-17			

PART NO.	FIG.NO.-REF.NO.	PART NO.	FIG.NO.-REF.NO.	PART NO.	FIG.NO.-REF.NO.
	77-9				106-8
	77-15		107-8		
	78-9		108-8		
	78-15		113-9		
	79-17		114-8		
	124-20		115-8		
	124-21		116-9		
	125-15		117-8		
	125-16		118-8		
	126-15		119-9		
	126-16				120-9
	127-20		121-8		
	127-21		122-8		
	128-15		123-8		
	128-16		128-8		
	129-20		213-8		
	129-21		214-8		
	130-20		215-8		
	130-21		216-8		
	131-20		217-8		
	131-21				218-8
	132-15		219-8		
	132-16		220-8		
	133-15		221-8		
	133-16		222-8		
	134-20		233-35		
	134-21		234-35		
	233-34		235-35		
	234-34		236-35		
	235-34		01550-06207		1-15
01550-06167	236-34				28-21
	28-20		40-3		
	52-10		41-11		
	53-10		42-11		
	54-10		43-11		
	55-10		44-11		
	56-10		45-11		
	93-10		46-11		
	94-10		47-11		
	95-10		48-11		
	96-10				49-11
	97-10		50-11		
	98-8		51-11		
	99-8		57-9		
	100-8		58-7		
	101-8		59-7		
	102-8		60-9		
	103-8		61-7		
	104-8		62-9		
	105-8		63-9		
					01550-06257
			4-13		
			28-11		
			28-22		
			69-18		
			70-16		
			71-16		
			72-18		
			73-16		

PART NO.	FIG.NO.-REF.NO.	PART NO.	FIG.NO.-REF.NO.	PART NO.	FIG.NO.-REF.NO.
	74-18	01560-08307	165-15		182-3
	75-18	01560-08757	2-3		183-3
	76-18	02122-04127	4-15		184-3
	77-16	02122-0630A	68-14		185-3
	78-16	02142-06167	168-16		186-3
01550-06307	79-18		169-16		187-3
	41-9		170-16		188-3
	42-9		171-16		189-3
	43-9		172-16	03542-06209	28-23
	44-9		173-16	04211-09149	4-12
	45-9		174-16	04211-11129	1-12
	46-9		175-16		2-4
	47-9		176-16	04221-05109	16-4
	48-9		177-16		17-4
	49-9		178-16		18-4
	50-9	02142-06207	69-19		19-4
	51-9		70-17		20-4
	98-12		71-17		21-4
	99-12		72-19		22-4
	100-12		73-17		23-4
	101-12		74-19		24-4
	102-12		75-19		25-4
	103-12		76-19		26-4
	104-12		77-17	08110-60020	81-2
	105-12		78-17		82-2
	106-12		79-19		83-2
	107-12	03112-06303	223-40		84-2
	108-12		224-40		85-2
01550-06357	2-2		225-40		86-2
	4-14		226-40		87-2
01550-06507	27-9		227-40		88-2
01550-08207	1-9	03121-0516A	228-22		89-2
	2-7		229-22		90-2
	92-22		230-22		91-2
	208-5		231-22	08110-60050	167-11
	209-5		232-22	08316-10087	92-24
	210-5	03142-04169	29-12	08322-0106A	93-11
	211-5		30-12		94-11
01550-08307	92-23		31-12		95-11
01550-08407	16-3		32-12		96-11
	17-3		33-12	08341-31039	4-9
	18-3		34-12		4-10
	19-3		35-12		93-7
	20-3		36-12		94-7
	21-3		37-12		95-7
	22-3		38-12		96-7
	23-3		39-12		97-7
	24-3	03542-05169	179-3	09100-06178	135-9
	25-3		180-3		136-9
	26-3		181-3		138-9

PART NO.	FIG.NO.-REF.NO.	PART NO.	FIG.NO.-REF.NO.	PART NO.	FIG.NO.-REF.NO.
	139-9		167-7		28-12
	141-9	09108-06141	29-14		109-4
	142-9		30-14		110-8
	143-9		31-14		111-4
09100-08232	146-23		32-14		112-8
	147-23		33-14	09116-06225	146-35
	148-13		34-14		147-32
	149-23		35-14		148-19
	150-23		36-14		149-35
	151-13		37-14		150-32
	152-23		38-14		151-22
	153-23		39-14		152-35
	154-23	09108-08286	147-29		153-35
	155-13		148-16		154-32
	156-13		150-29		155-19
	197-2		154-29		156-22
	198-50		155-16		190-27
	199-2		233-24		191-27
	200-2		234-24		192-27
	201-50		235-24		193-27
	245-2		236-24		194-27
	246-2	09111-10067	146-26		195-27
	247-2		147-26		233-25
	248-2		149-26		234-25
09100-08311	135-15		150-26		235-25
	136-15		152-26		236-25
	137-24		153-26	09116-06227	167-14
	138-15		154-26	09116-06229	81-24
	139-15	09116-06196	98-3		82-24
	140-24		99-3		83-24
	141-15		100-3		84-24
	142-15		101-3		85-24
	143-15		102-3		86-24
	144-24		103-3		87-24
	145-24		104-3		88-24
09103-06237	196-14		105-3		89-24
09103-06267	4-7		106-3		90-24
09103-06281	1-8		107-3		91-24
	137-21		108-3	09116-06234	69-9
	140-21		16-7		72-9
	144-21	09116-06202	17-7		74-9
	145-21		18-7		75-9
	148-21		19-7		76-9
	151-26		20-7		79-9
	155-21		21-7	09116-08128	137-18
	156-26		22-9		140-18
	157-20		23-9		144-18
	158-20		24-9		145-18
	159-20		25-9	09116-08137	165-13
	160-20		26-9	09116-08150	157-21

PART NO.	FIG.NO.-REF.NO.	PART NO.	FIG.NO.-REF.NO.	PART NO.	FIG.NO.-REF.NO.
09116-08151	158-21	09126-05003	197-49	09140-05005	178-3
	159-21		198-51		110-7
	160-21		199-49		112-7
	165-3		200-49		237-32
	166-6		201-51		238-32
09116-08154 09116-08155	167-5	09126-06006	245-49	09140-06020	239-32
	190-16		246-49		240-32
	191-16		247-49		197-50
	192-16		248-49		198-52
	193-16		241-25		199-50
	194-16		242-25		200-50
	195-16		243-25		201-52
	166-15		244-25		241-31
	190-28		190-17		242-31
	191-28		191-17		243-31
09119-08L01 09119-08L02 09125-05042	192-28	09126-06015	192-17	09136-05041	244-31
	193-28		193-17		245-50
	194-28		194-17		246-50
	195-28		195-17		247-50
	1-4		161-8		248-50
	1-3		162-8		135-16
	190-29		163-8		136-16
	191-29		164-8		137-25
	192-29		190-18		138-16
	193-29		191-18		139-16
09125-05046 09125-05135	194-29	09136-06168	192-18	09140-08023-XC0	140-25
	195-29		193-18		141-16
	197-16		194-18		142-16
	198-16		195-18		143-16
	199-16		168-8		144-25
	200-16		169-8		145-25
	201-16		170-8		165-14
	241-21		171-8		93-5
	242-21		172-8		94-5
	243-21		173-8		95-5
09125-06063	244-21	09136-06169	174-8	09141-12005 09148-06008	96-5
	245-16		175-8		97-5
	246-16		176-8		167-18
	247-16		177-8		190-13
	248-16		178-8		191-13
	110-5		168-3		192-13
	112-5		169-3		193-13
	237-30		170-3		194-13
	238-30		171-3		195-13
	239-30		172-3		147-30
09125-06063	240-30	09159-08059	173-3	09140-10031 09140-14008	148-17
	137-12		174-3		150-30
	140-12		175-3		154-30
	144-12		176-3		155-17
	145-12		177-3		233-26

PART NO.	FIG.NO.-REF.NO.	PART NO.	FIG.NO.-REF.NO.	PART NO.	FIG.NO.-REF.NO.
09159-08L02	234-26	09160-06085 09160-06094	73-10	09159-22006	154-17
	235-26		74-10		196-15
	236-26		75-10		69-11
	146-36		76-10		72-11
	149-36		77-10		74-11
09160-06055	151-23	09160-06104	78-10	09160-06055	75-11
	152-36		79-10		76-11
	153-36		233-29		79-11
	156-23		234-29		197-51
	135-8		235-29		198-53
	136-8		236-29		199-51
	137-13		52-12		200-51
	138-8		53-12		201-53
	139-8		54-12		245-51
	140-13		55-12		246-51
09160-05024	141-8	09160-06168	56-12	09160-05024	247-51
	142-8		70-19		248-51
	143-8		71-19		98-17
	144-13		73-19		99-17
	145-13		77-19		100-17
	233-27		78-19		101-17
	234-27		233-30		102-17
	235-27		234-30		103-17
	236-27		235-30		104-17
	237-19		236-30		105-17
09160-05029	238-19	09160-06171 09160-08081	29-15	09160-06082	106-17
	239-19		30-15		107-17
	240-19		31-15		108-17
	70-11		32-15		4-8
	71-11		33-15		135-17
	73-11		34-15		136-17
	77-11		35-15		137-23
	78-11		36-15		138-17
	233-28		37-15		139-17
	234-28		38-15		140-23
09160-06046	235-28	09160-08082	39-15	09160-06046	141-17
	236-28		80-8		142-17
	237-31		135-10		143-17
	238-31		136-10		144-23
	239-31		138-10		145-23
	240-31		139-10		146-22
	52-8		141-10		147-22
	53-8		142-10		147-28
	54-8		143-10		148-12
	55-8		146-17		148-15
09160-06063	56-8	09160-06063	147-17	09160-06063	149-22
	69-10		149-17		150-22
	70-10		150-17		150-28
	71-10		152-17		151-12
	72-10		153-17		152-22

PART NO.	FIG.NO.-REF.NO.	PART NO.	FIG.NO.-REF.NO.	PART NO.	FIG.NO.-REF.NO.
	153-22		84-11-7		90-11-3
	154-22		85-11-7		91-11-3
	154-28		87-11-7	09160-17056	83-11-4
	155-12		88-11-7		86-11-4
	155-15		89-11-7		90-11-4
	156-12	09160-17028	81-11-9		91-11-4
	233-20		82-11-9	09160-17057	83-11-5
	234-20		84-11-9		86-11-5
	235-20		85-11-9		90-11-5
	236-20		87-11-9		91-11-5
09160-08170	135-22		88-11-9	09160-17058	83-11-6
	136-22		89-11-9		86-11-6
	137-26	09160-17039	81-11-2		90-11-6
	138-22		82-11-2		91-11-6
	139-22		84-11-2	09160-17059	83-11-7
	140-26		85-11-2		86-11-7
	141-22		87-11-2		90-11-7
	142-22		88-11-2		91-11-7
	143-22		89-11-2	09160-17060	83-11-8
	144-26	09160-17040	81-11-4		86-11-8
	145-26		82-11-4		90-11-8
09160-12066	167-19		84-11-4		91-11-8
09160-15057	93-6		85-11-4	09160-17061	83-11-9
	94-6		87-11-4		86-11-9
	95-6		88-11-4		90-11-9
	96-6		89-11-4		91-11-9
	97-6	09160-17041	81-11-6	09160-20027	81-4
09160-17024	81-11-1		82-11-6		82-4
	82-11-1		84-11-6		83-4
	84-11-1		85-11-6		84-4
	85-11-1		87-11-6		85-4
	87-11-1		88-11-6		86-4
	88-11-1		89-11-6		87-4
09160-17025	89-11-1	09160-17042	81-11-8		88-4
	81-11-3		82-11-8		89-4
	82-11-3		84-11-8		90-4
	84-11-3		85-11-8		91-4
	85-11-3		87-11-8	09160-20042	81-5-2
	87-11-3		88-11-8		82-5-2
	88-11-3		89-11-8		83-5-2
09160-17026	89-11-3	09160-17053	83-11-1		84-5-2
	81-11-5		86-11-1		85-5-2
	82-11-5		90-11-1		86-5-2
	84-11-5		91-11-1		87-5-2
	85-11-5	09160-17054	83-11-2		88-5-2
	87-11-5		86-11-2		89-5-2
	88-11-5		90-11-2		90-5-2
	89-11-5		91-11-2		91-5-2
09160-17027	81-11-7	09160-17055	83-11-3	09160-20043	81-5-3
	82-11-7		86-11-3		82-5-3

PART NO.	FIG.NO.-REF.NO.	PART NO.	FIG.NO.-REF.NO.	PART NO.	FIG.NO.-REF.NO.
	83-5-3		89-12-5		152-37
	84-5-3		90-12-5		153-37
	85-5-3		91-12-5		156-24
	86-5-3	09160-25042	81-12-6	09163-06001	190-19
	87-5-3		82-12-6		191-19
	88-5-3		83-12-6		192-19
	89-5-3		84-12-6		193-19
	90-5-3		85-12-6		194-19
	91-5-3		86-12-6		195-19
09160-20044	81-5-4		87-12-6	09164-14008	69-12
	82-5-4		88-12-6		72-12
	83-5-4		89-12-6		74-12
	84-5-4		90-12-6		75-12
	85-5-4		91-12-6		76-12
	86-5-4	09160-27012	146-8		79-12
	87-5-4		147-8	09168-12017	166-8
	88-5-4		148-8	09169-06062	16-6
	89-5-4		149-8		17-6
	90-5-4		150-8		18-6
	91-5-4		151-8		19-6
09160-21009	81-6		152-8		20-6
	82-6		153-8		21-6
	83-6		154-8		22-8
	84-6		155-8		23-8
	85-6		156-8		24-8
	86-6	09160-27013	146-5		25-8
	87-6		147-5		26-8
	88-6		148-5		28-13
	89-6		149-5		109-5
	90-6		150-5		110-9
	91-6		151-5		111-5
09160-25040	81-12-4		152-5	09169-06063	112-9
	82-12-4		153-5		98-5
	83-12-4		154-5		99-5
	84-12-4		155-5		100-5
	85-12-4		156-5		101-5
	86-12-4	09161-04012	168-12		102-5
	87-12-4		169-12		103-5
	88-12-4		170-12		104-5
	89-12-4		171-12		105-5
	90-12-4		172-12		106-5
	91-12-4		173-12		107-5
09160-25041	81-12-5		174-12		108-5
	82-12-5		175-12	09180-06186	69-13
	83-12-5		176-12		72-13
	84-12-5		177-12		74-13
	85-12-5		178-12		75-13
	86-12-5	09161-08019	146-37		76-13
	87-12-5		149-37		79-13
	88-12-5		151-24	09180-06362	69-14

PART NO.	FIG.NO.-REF.NO.	PART NO.	FIG.NO.-REF.NO.	PART NO.	FIG.NO.-REF.NO.
	70-12	09181-20248	81-5-7		87-12-3
	71-12		82-5-7		88-12-3
	72-14		83-5-7		89-12-3
	73-12		84-5-7		90-12-3
	74-14		85-5-7		91-12-3
	75-14		86-5-7	09181-25181	81-12-7
	76-14		87-5-7		82-12-7
	77-12		88-5-7		83-12-7
	78-12		89-5-7		84-12-7
	79-14		90-5-7		85-12-7
09180-06366	135-11		91-5-7		86-12-7
	136-11	09181-20251	81-5-1		87-12-7
	138-11		82-5-1		88-12-7
	139-11		83-5-1		89-12-7
	141-11		84-5-1		90-12-7
	142-11		85-5-1		91-12-7
09181-15241	143-11		86-5-1	09200-05014	146-18
	81-13		87-5-1		147-18
	82-13		88-5-1		149-18
	83-13		89-5-1		150-18
	84-13		90-5-1		152-18
	85-13		91-5-1		153-18
	86-13	09181-25160	81-12-1		154-18
	87-13		82-12-1	09200-06061	146-16
	88-13		83-12-1		147-16
	89-13		84-12-1		149-16
	90-13		85-12-1		150-16
	91-13		86-12-1		152-16
09181-20244	81-5-5		87-12-1		153-16
	82-5-5		88-12-1		154-16
	83-5-5		89-12-1	09202-04008	29-17
	84-5-5		90-12-1		30-17
	85-5-5		91-12-1		31-17
	86-5-5	09181-25162	81-12-2		32-17
	87-5-5		82-12-2		33-17
	88-5-5		83-12-2		34-17
	89-5-5		84-12-2		35-17
	90-5-5		85-12-2		36-17
	91-5-5		86-12-2		37-17
09181-20246	81-5-6		87-12-2		38-17
	82-5-6		88-12-2		39-17
	83-5-6		89-12-2	09202-04025	81-16
	84-5-6		90-12-2		82-16
	85-5-6		91-12-2		83-16
	86-5-6	09181-25164	81-12-3		84-16
	87-5-6		82-12-3		85-16
	88-5-6		83-12-3		86-16
	89-5-6		84-12-3		87-16
	90-5-6		85-12-3		88-16
	91-5-6		86-12-3		89-16

PART NO.	FIG.NO.-REF.NO.	PART NO.	FIG.NO.-REF.NO.	PART NO.	FIG.NO.-REF.NO.
	90-16		174-20	09280-09008	68-11
09202-06023	91-16		175-20	09280-09012	80-10
	165-4		176-20	09280-13004	68-4
	166-7		177-20	09280-17003	1-11
	167-4		178-20	09280-22019	1-6
09204-01002	69-8	09248-08001	167-9	09280-26005	28-39
	70-8	09248-12009	166-9	09280-54001	68-5
	71-8	09250-12006	190-30	09280-57002	167-12
	72-8		191-30	09282-12L04	165-5
	73-8		192-30	09282-13L01	81-22
	74-8		193-30		82-22
	75-8		194-30		83-22
	76-8		195-30		84-22
	77-8	09251-05006	28-14		85-22
	78-8	09251-09007	168-19		86-22
	79-8		169-19		87-22
	146-13		170-19		88-22
	147-13		171-19		89-22
	149-13		172-19		90-22
	150-13		173-19		91-22
	152-13		174-19	09282-27002	146-6
	153-13		175-19		147-6
	154-13		176-19		148-6
	233-19		177-19		149-6
	234-19		178-19		150-6
	235-19	09260-12003	69-15		151-6
	236-19		70-13		152-6
09204-02004	167-20		71-13		153-6
09205-02004	80-4		72-15		154-6
09205-03004	137-19		73-13		155-6
	140-19		74-15		156-6
	144-19		75-15	09283-25096	5-2
	145-19		76-15		6-2
09205-06007	135-6		77-13		7-2
	136-6		78-13		8-2
	137-3		79-15		9-2
	138-6	09262-25003	167-3		10-2
	139-6	09263-17L03	167-2		11-2
	140-3	09263-20L04	81-7		12-2
	141-6		82-7		13-2
	142-6		83-7		14-2
	143-6		84-7		15-2
	144-3		85-7	09283-32039	3-9
	145-3		86-7	09289-05012	5-14
09229-04005	168-20		87-7		6-14
	169-20		88-7		7-14
	170-20		89-7		8-14
	171-20		90-7		9-14
	172-20		91-7		10-14
	173-20	09280-06012	80-9		11-14

PART NO.	FIG.NO.-REF.NO.	PART NO.	FIG.NO.-REF.NO.	PART NO.	FIG.NO.-REF.NO.
	12-14	09380-12002	157-22	09403-07308	170-22
	13-14		158-22		173-22
	14-14		159-22		177-22
	15-14		160-22		178-22
09289-06L02	80-11	09380-15001	81-3	09403-08404	124-16
09289-17L02	167-13		82-3		125-11
09306-22006	135-14		83-3		126-11
	136-14		84-3		127-16
	138-14		85-3		128-11
	139-14		86-3		129-16
	141-14		87-3		130-16
	142-14		88-3		131-16
	143-14		89-3		132-11
09320-08051	98-6		90-3		133-11
	99-6		91-3		134-16
	100-6	09381-16001	3-4	09403-11320	28-42
	101-6	09385-04003	168-21	09403-12406	43-17
	102-6		169-21		46-17
	103-6		170-21		50-17
	104-6		171-21		51-17
	105-6		172-21		57-7
	106-6		173-21		60-7
	107-6		174-21		62-7
	108-6		175-21		63-7
09320-08062	27-7		176-21		64-7
09320-09052	16-10		177-21		67-7
	17-10		178-21	09403-12415	41-14
	18-10		52-13		42-14
	19-10	09385-06012	53-13		43-14
	20-10		54-13		44-14
	21-10		55-13		45-14
	22-12		56-13		46-14
	23-12		70-20		47-14
	24-12		71-20		48-14
	25-12		73-20		49-14
	26-12		77-20		50-14
	28-15		78-20		51-14
09320-11017	168-7		233-31	09407-08401	228-8
	169-7		234-31		228-24
	170-7		235-31		229-8
	171-7		236-31		229-24
	172-7	09401-08412	28-18		230-8
	173-7	09401-08413	40-6		230-24
	174-7	09401-10412	28-19		231-8
	175-7	09401-11423	28-34		231-24
	176-7		28-40		232-8
	177-7	09401-11425	27-8		232-24
	178-7	09401-12413	1-17	09407-14403	124-2
09321-08022	28-16		165-16		127-2
09352-50823-600	28-17	09401-13423	28-41		129-2

PART NO.	FIG.NO.-REF.NO.	PART NO.	FIG.NO.-REF.NO.	PART NO.	FIG.NO.-REF.NO.
	130-2		211-7	09408-00159	98-10
	131-2		211-16		99-10
	134-2		212-18		100-10
	208-15		212-22		101-10
	209-15		213-18		102-10
	210-15		213-22		103-10
	211-15		214-18		104-10
	212-16		214-22		105-10
	213-16		215-18		106-10
	214-16		215-22		107-10
	215-16		216-18		108-10
	216-16		216-22	09408-00184	208-8
	217-16		217-18		209-8
	218-16		217-22		210-8
	219-16		218-18		211-8
	220-16		218-22		212-11
	221-16		219-18		213-11
	222-16		219-22		214-11
09407-14407	93-8		220-18		215-11
	94-8		220-22		216-11
	95-8		221-18		217-11
	96-8		221-22		218-11
	97-8		222-18		219-11
	124-3		222-22		220-11
	124-10		223-16		221-11
	125-6		223-37		222-11
	126-6		224-16	09408-00252	124-18
	127-3		224-37		127-18
	127-10		225-16		129-18
	128-6		225-37		130-18
	129-3		226-16		131-18
	129-10		226-37		134-18
	130-3		227-16	09408-00296	125-13
	130-10		227-37		126-13
	131-3		233-32		128-13
	131-10		234-32		132-13
	132-6		235-32		133-13
	133-6		236-32	09408-00297	124-19
	134-3	09408-00008	124-17		125-14
	134-10		125-12		126-14
	157-23		127-17		127-19
	158-23		128-12		128-14
	159-23		129-17		129-19
	160-23		130-17		130-19
	208-7		131-17		131-19
	208-16		132-12		132-14
	209-7		134-17		133-14
	209-16	09408-00024	126-12		134-19
	210-7		133-12	09420-03005	29-16
	210-16	09408-00070	40-9		30-16

SUZUKI DF9.9B/15A/20A PARTS CATALOGUE

SUZUKI MOTOR CORPORATION All rights reserved

No part of this document may be reproduced or transmitted in any form or by any means, electronic or mechanical, for any purpose, without the express written permission of Suzuki Motor Corporation.

SUZUKI MOTOR CORPORATION

Technical Readiness Group, Quality Administration Department
300 Takatsuka, Minami, Hamamatsu, Japan

Reprint Prohibited

SUZUKI MOTOR CORPORATION
